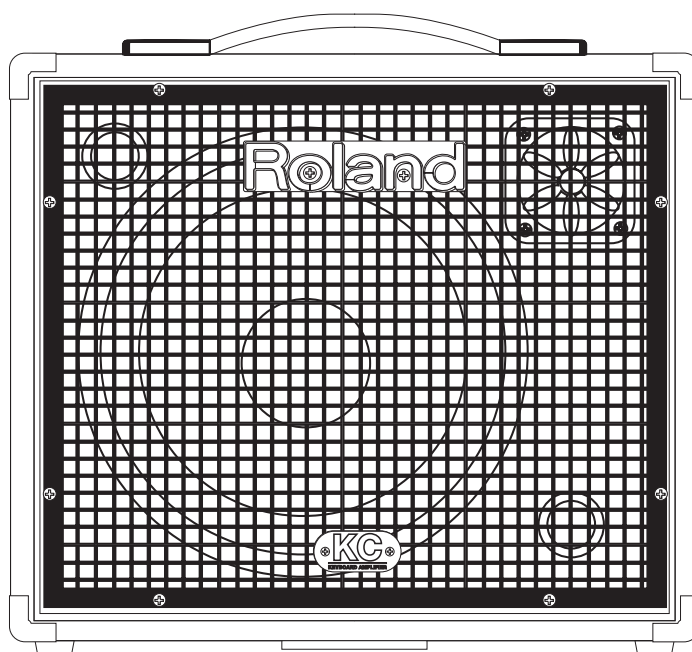


KC-150

4-CH MIXING KEYBOARD AMPLIFIER

SERVICE NOTES *Issued by RJA*

CAUTIONARY NOTES2
 SPECIFICATIONS.....2
 LOCATION OF CONTROLS3
 LOCATION OF CONTROLS PARTS LIST3
 EXPLODED VIEW (CABINET).....4
 EXPLODED VIEW PARTS LIST (CABINET)5
 EXPLODED VIEW (CHASSIS).....6
 EXPLODED VIEW PARTS LIST (CHASSIS).....7
 PARTS LIST.....8
 BLOCK DIAGRAM.....11
 CIRCUIT BOARD.....12
 CIRCUIT DIAGRAM.....14



Copyright © 2005 ROLAND CORPORATION

All rights reserved. No part of this publication may be reproduced in any form without the written permission of ROLAND CORPORATION.

CAUTIONARY NOTES

PARTS LIST

Due to one or more of the following reasons, parts with parts code ***** cannot be supplied as service parts.

- Part supplied only as a component in a complete assembly
- Copyright does not permit the part to be supplied
- Part is sold commercially

CIRCUIT BOARD

NIU meant that "NOT IN USE " there don't set any contents in the Circuit Diagram.

There has silk-screen only in the Circuit Board.

SPECIFICATIONS

Rated Power Output

65 W

Nominal Input Level (1 kHz)

Channel1 (MIC/LINE):-50 -- -20 dBu

Channel2, 3, 4 (LINE):-20 dBu

AUX IN: -10 dBu

Nominal Output Level

LINE OUT: +4 dBu

SUBWOOFER OUT: +4 dBu

0 dBu = 0.775 Vrms

Speakers

30 cm (12 inches) x 1

Tweeter x 1

Controls

Channel 1 (MIC/LINE) Volume Knob

Channel 2 (LINE) Volume Knob

Channel 3 (LINE) Volume Knob

Channel 4 (MONITOR) Volume Knob

Equalizer

LOW Knob

HIGH Knob

VOLUME Knob

POWER Switch

Indicator

POWER

Connectors

Channel 1 Input Jacks (XLR type, 1/4" phone type)

Channel 2 Input Jack (1/4" phone type)

Channel 3 Input Jack (1/4" phone type)

Channel 4 Input Jack (1/4" phone type)

AUX IN Jacks (RCA phono type)

LINE OUT Jack (1/4" phone type)

SUBWOOFER OUT Jack (1/4" phone type)

PHONES Jack (Stereo 1/4" phone type, mono signal output)

Power Supply

AC 117 V, AC 230 V, AC 240 V: 50/60 Hz

AC 220 V: 60 Hz

Power Consumption

55 W

Dimensions

480 (W) x 295 (D) x 435 (H) mm

18-15/16 (W) x 11-5/8 (D) x 17-1/8 (H) inches

Weight

14.0 kg

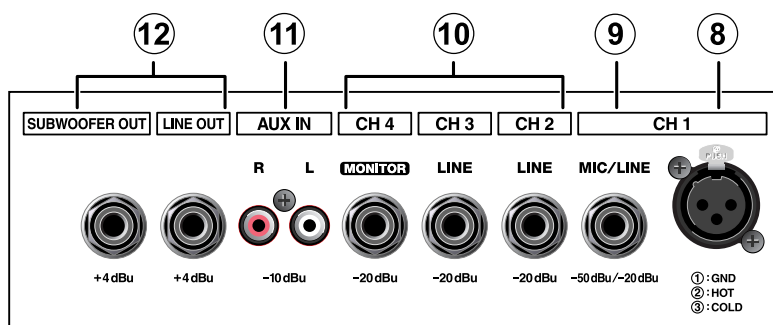
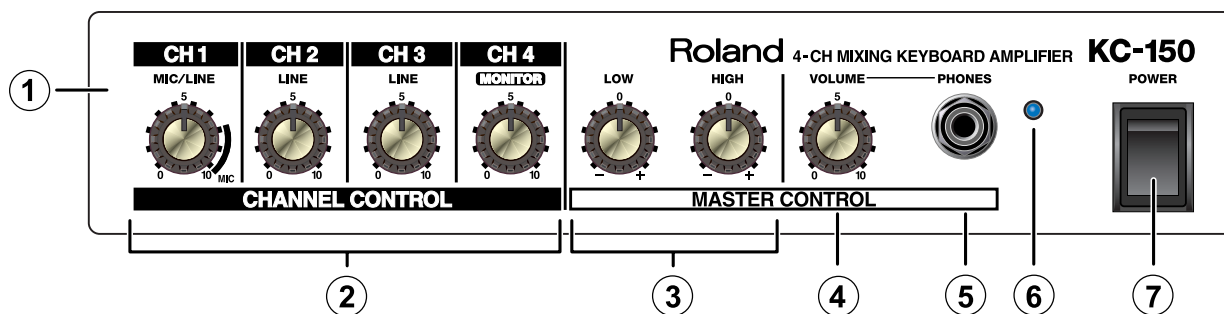
30 lbs 14 oz

Accessory

Owner's Manual English(#SD000214)

Japanese(#SD000213)

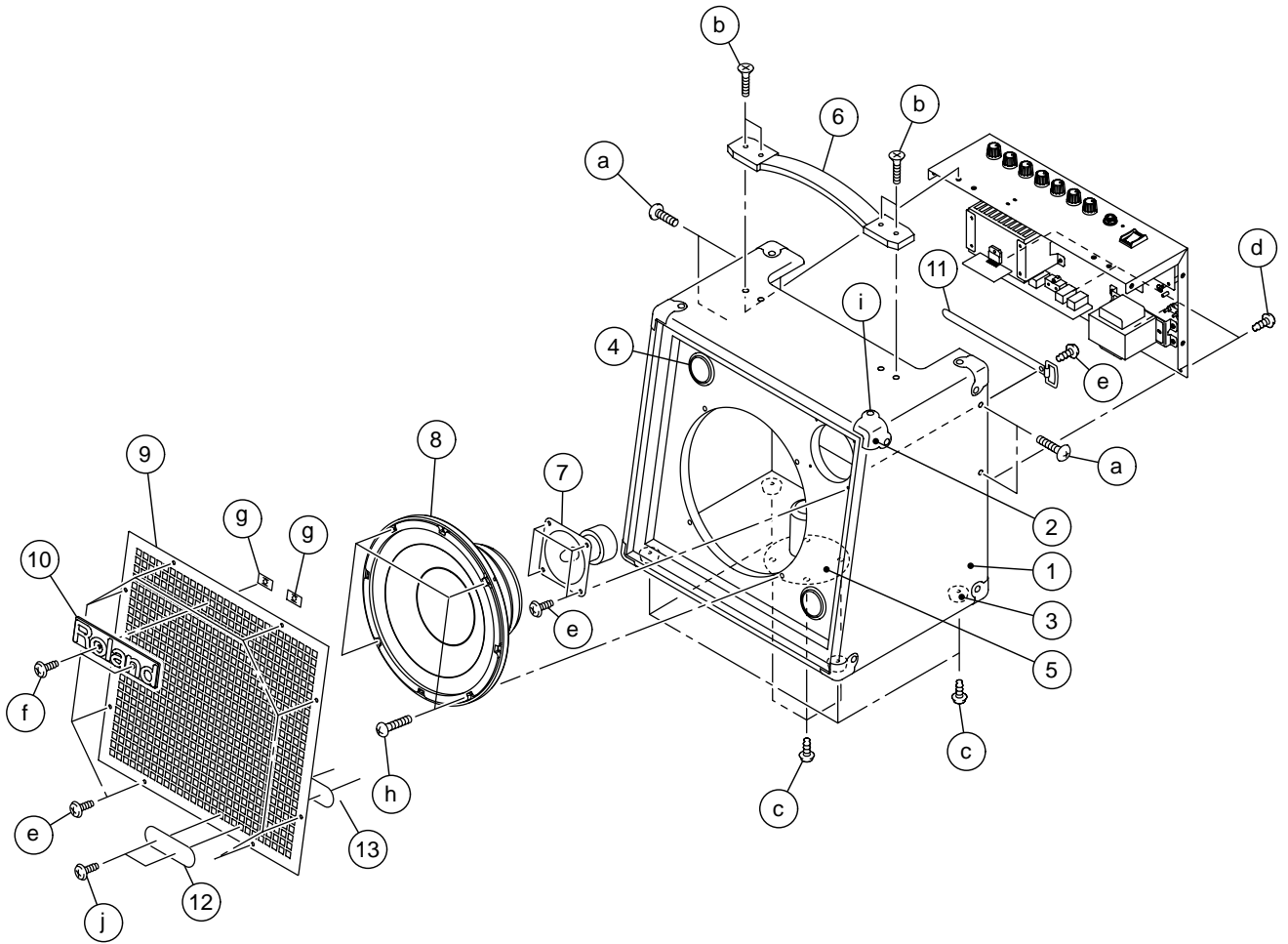
LOCATION OF CONTROLS



LOCATION OF CONTROLS PARTS LIST

No	PART CODE	CATEGORY	PART NAME	DESCRIPTION	Q'TY
1	SD000597	CHASSIS	CHASSIS		1
2	SD000598	KNOB,BUTTON	KNOB(BLCK)	GOLD PLATE	4
2	01120112	POTENTIOMETER	POTENTIOMETER	RK11K1120AA3 100KB	4
3	SD000598	KNOB,BUTTON	KNOB(BLCK)	GOLD PLATE	2
3	01120134	POTENTIOMETER	POTENTIOMETER	RK11K1120091 20KB CC	2
4	SD000598	KNOB,BUTTON	KNOB(BLCK)	GOLD PLATE	1
4	01120145	POTENTIOMETER	POTENTIOMETER	RK11K112 10KB	1
5	13449252	JACK,EXT TERMINAL	6.5MM JACK	YKB21-5006 (STEREO W/SW)	1
5	2215775600	SCREWS	JACK NUT	215-756	7
6	F5029133	DIODE	LED	L-934MBD	1
7	01786045	CHASSIS	SW HOLDER	AT-217K	1
7	01786012	SWITCH	SEESAW SWITCH	JW-M11RKK	1
8	01902645	JACK,EXT TERMINAL	XLR CONNECTOR	NC3FAH2 W/LOCK PIN	1
9	13449275	JACK,EXT TERMINAL	6.5MM JACK	YKB21-5074	1
9	2215775600	SCREWS	JACK NUT	215-756	7
10	13449146	JACK,EXT TERMINAL	6.5MM JACK	YKB21-5012 (W/SW)	5
10	2215775600	SCREWS	JACK NUT	215-756	7
11	03234590	JACK,EXT TERMINAL	RCA(PIN) JACK	YKC21-3503	1
12	13449146	JACK,EXT TERMINAL	6.5MM JACK	YKB21-5012 (W/SW)	5
12	2215775600	SCREWS	JACK NUT	215-756	7

EXPLODED VIEW (CABINET)



EXPLODED VIEW PARTS LIST (CABINET)

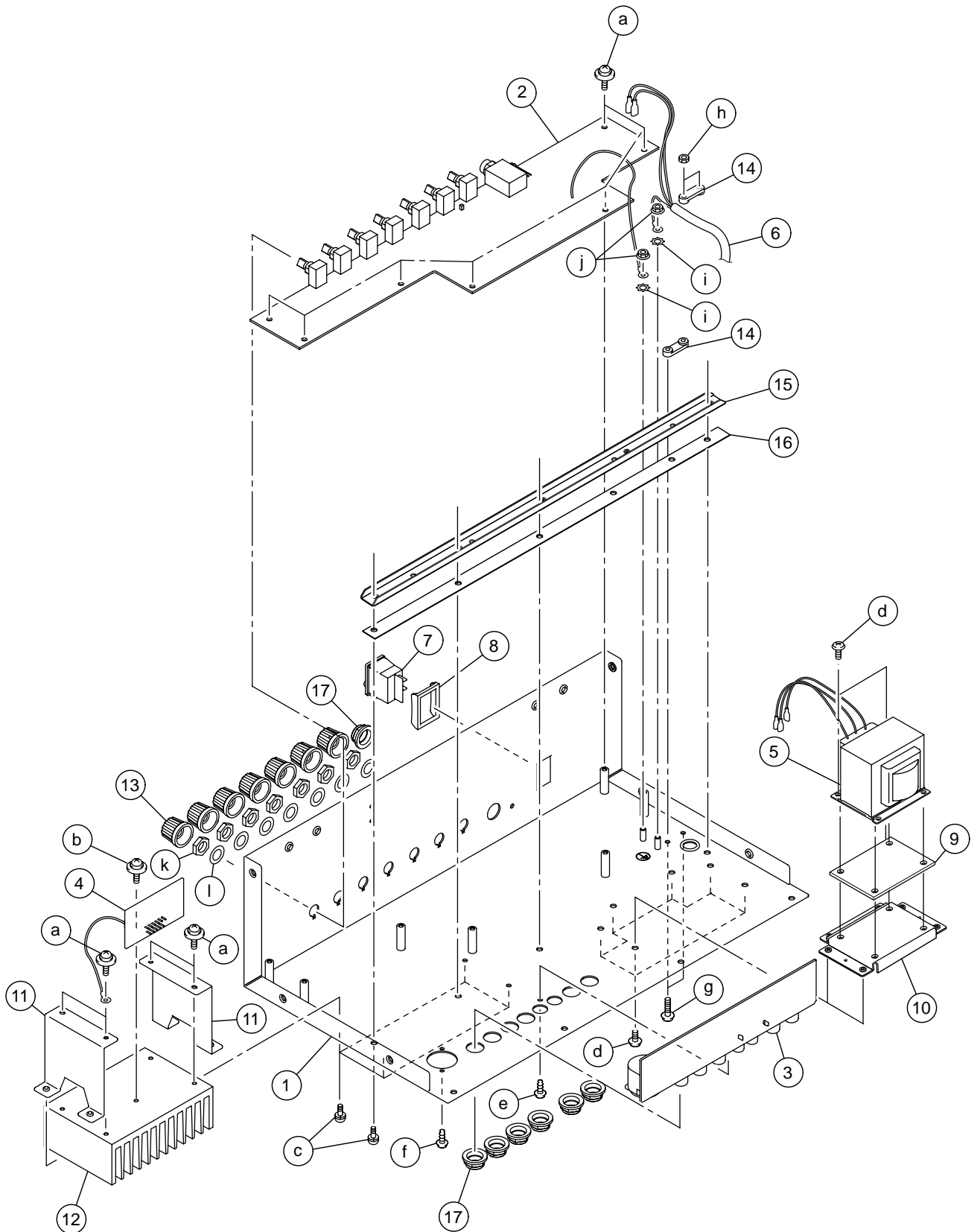
[PARTS]

No	PART CODE	PART NAME	DESCRIPTION	Q'TY
1	SD000596	CABINET ASSY		1
		NOTE: 'KC-150UC CABINET ASSY' includes the following parts (2--4).		
2	SD000628	2-LEG METAL CORNER BLACK		8
3	12359104	RUBBER FOOT	G-5R	4
4	SD000594	PORT TUBE		2
5	SD000595	TOP HAT SPEAKER MOUNT		1
6	22310207	HANDLE (H40)	231-207 W/ESCUCHEON (2 HOLES)	1
7	SD000600	HORN TWEETER	SPK-KC-150-TW	1
8	SD000599	12 INCHES WOOFER	1SPK-KC-150-WF	1
9	SD000346	GRILL		1
10	SD000592	LOGO BADGE	(ROLAND)	1
11	SD000345	VELCRO AC CABLE	8INCHI W/4 INCH	1
12	SD000593	LOGO PLATE KC GOLD		1
13	SD000349	BADGE HOLDER		1

[SCREWS]

No.	PART CODE	PART NAME	DESCRIPTION	Q'TY
a	40010601	SCREW M5X35	ORIGINAL TRUSS MACHINE FE BZC	4
b	40238267	SCREW M5X40	OHP MACHINE BZC	4
c	40010678	SCREW 4X20	TRUSS TAPPING A1 FE BZC	8
d	40010678	SCREW 4X20	TRUSS TAPPING A1 FE BZC	4
e	40010667	SCREW M4X16	TRUSS TAPPING-A FE BZC	13
f	40230789	SCREW 3X10	OVAL MACHINE BZC	2
g	40011689	SPEED NUT M3	F-TYPE	2
h	40010145	SCREW M4X25	TRUSS MACHINE BZC	4
i	TE930140	SCREW 3.5X14	TRUSS TAPPING A BZC	16
j	40562578	SCREW 3X8	TRUSS TAPTITE B BZC	2

EXPLODED VIEW (CHASSIS)



EXPLODED VIEW PARTS LIST (CHASSIS)

[PARTS]

No	PART CODE	PART NAME	DESCRIPTION	Q'TY
1	SD000597	CHASSIS		1
2	SD000212	MAIN BOARD ASSY 100/117V	(MAIN BOARD 1/3)	1
3	SD000212	MAIN BOARD ASSY 100/117V	(JACK BOARD 2/3)	1
4	SD000212	MAIN BOARD ASSY 100/117V	(POWER IC BOARD)	1
5	SD000613	TRANSFORMER(100V/117V)		1
	SD000681	TRANSFORMER(230V/240V)		1
6	SD000221	AC CORD ASSY 117V	181BG413-UC	1
	SD000591	AC CORD ASSY 230V	181BG413-G	1
	SD000625	AC CORD ASSY 230VE	181BG413-B	1
	SD000629	AC CORD ASSY 240V	181BG413-A	1
7	01786012	SEESAW SWITCH	JW-M11RKK	1
8	01786045	SW HOLDER	AT-217K	1
9	SD000620	TRANS SHEET	88X70X0.5T	1
10	SD000619	TRANS HOLDER		1
11	SD000687	HEATSINK HOLDER		2
12	SD000618	HEATSINK	90MM BLACK	1
13	SD000598	KNOB(BLCK)	GOLD PLATE	7
14	12369410RT	AC CORD HOLDER	1702B	2
15	SD000623	CENTER HOLDER	1.2T	1
16	SD000624	CENTER HOLDER SHEET	423X20X0.5T	1
17	2215775600	JACK NUT	215-756	7

[SCREWS]

No.	PART CODE	PART NAME	DESCRIPTION	Q'TY
a	40012867	SCREW M3X8	PAN MACHINE W/SW+PW ZC	11
b	40012967	SCREW M3X10	PAN MACHINE W/SW+PW BZC	1
c	40012956	SCREW M3X8	PAN MACHINE W/SW+PW BZC	8
d	40013012	SCREW M4X10	PAN MACHINE W/SW+PW BZC	10
e	40011312	SCREW 3X8	BINDING TAPTITE P BZC	1
f	40233012	SCREW M2.6X8	BINDING TAPTITE P BZC	2
g	40012989	SCREW M3X20	PAN MACHINE W/SW+PW BZC	2
h	40011756	FLANGE HEX NUT M3	ZC	2
i	40011889	EXTERNAL TOOTH WASHER M4	FECM	2
j	40011767	FLANGE HEX NUT M4	FE CM	2
k	17048630	VR ACCESSORY NUT M9		6
l	17048631	VR ACCESSORY WASHER M9		6

PARTS LIST

SAFETY PRECAUTIONS:
The parts marked Δ have safety-related characteristics. Use only listed parts for replacement.

Due to one or more of the following reasons, parts with parts code ***** cannot be supplied as service parts.

- Part supplied only as a component in a complete assembly
- Copyright does not permit the part to be supplied
- Part is sold commercially

NOTE: The parts marked # are new. (initial parts) The description "Q'TY" means a necessary number of the parts per one product.

CASING

	SD000345	VELCRO AC CABLE	8INCHI W/4 INCH	1
	22310207	HANDLE (H40)	231-207 W/ESCUCHEON (2 HOLES)	1
#	SD000592	LOGO BADGE	(ROLAND)	1
	SD000349	BADGE HOLDER		1
	SD000346	GRILL		1
#	SD000593	LOGO PLATE KC GOLD		1
#	SD000596	CABINET ASSY		1
	NOTE: "KC-150UC CABINET ASSY" includes the following parts.			
	SD000628	2-LEG METAL CORNER BLACK		8
	12359104	RUBBER FOOT	G-5R	4
#	SD000594	PORT TUBE		2
#	SD000595	TOP HAT SPEAKER MOUNT		1

CHASSIS

	01786045	SW HOLDER	AT-217K	1
#	SD000620	TRANS SHEET	88X70X0.5T	1
	12369410RT	AC CORD HOLDER	1702B	2
#	SD000623	CENTER HOLDER	1.2T	1
#	SD000597	CHASSIS		1
#	SD000687	HEATSINK HOLDER		2
#	SD000619	TRANS HOLDER		1

KNOB,BUTTON

#	SD000598	KNOB(BLCK)	GOLD PLATE	7
---	----------	------------	------------	---

SWITCH

	01786012	SEESAW SWITCH	JW-M11RKK	1
--	----------	---------------	-----------	---

JACK,EXT TERMINAL

	03234590	RCA(PIN) JACK	YKC21-3503	JK7	1
	13449275	6.5MM JACK	YKB21-5074	JK3	1
	13449146	6.5MM JACK	YKB21-5012 (W/SW)	JK4,JK5,JK6,JK8,JK9	5
	13449252	6.5MM JACK	YKB21-5006 (STEREO W/SW)	JK1	1
	01902645	XLR CONNECTOR	NC3FAH2 W/LOCK PIN	JK2	1

SPEAKER,BUZZER

#	SD000600	HORN TWEETER	SPK-KC-150-TW	1
#	SD000599	12 INCHES WOOFER	SPK-KC-150-WF	1

PWB ASSY

#	SD000212	MAIN BOARD ASSY 100/117V		1
	NOTE: "MAIN BOARD ASSY(100V/117V)" includes the following parts.			
	*****	MAIN BOARD (MAIN BOARD 1/3)		1
	*****	MAIN BOARD (JACK BOARD 2/3)		1
	*****	MAIN BOARD (POWER IC BOARD 3/3)		1
#	SD000602	5ST 2A L/250V (100V/117V)	FUSE	1

NOTE: Replacement MAIN BOARD ASSY is for 100V/117V version exclusive use.

MAIN BOARD ASSY for 100V/117V version differs from 230V version in FUSE system.

When using MAIN BOARD (230V/240V) version, be sure to make the following modifications.

1: Replace fuse (FUSE1 on MAIN BOARD) to specific one.(P/No.SD000603 FUSE 5ST 800 mA L/250 V)

2: Please change into the check marking "230/240 T800mA250V" from "100/117V T2AL 250V"and draw the lihe dn the "100/117V SD000212", Please refer to TABLE A, TABLE B

PWB ASSY

TABLE A.

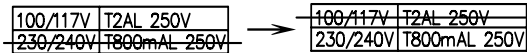
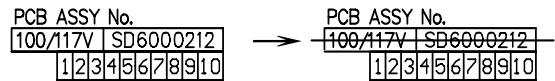


TABLE B.



IC						
	SD000707	LM3886TF	IC(POWER AMP IC)	IC9	1	
	00562156	NJM4556AL	IC (OP AMP)	IC4	1	
	15189250	M5218AL	IC (BIPOLAR OP AMP)	IC1,3,5-7,10	6	
	15189189	UPC4570HA	IC (BIPOLAR OP AMP)	IC2	1	
TRANSISTOR						
	15119132	2SA1015-GR(TPE2)	TRANSISTOR	Q4-5	2	
	01672556	2SB1642	TRANSISTOR	Q10	1	
	15129151	2SC1815-GR(TPE2)	TRANSISTOR	Q6,Q8	2	
	01672545	2SD2531	TRANSISTOR	Q9	1	
	15139118	2SK30ATM-GR(TPE2)	FET TRANSISTOR	Q1-3	3	
DIODE						
	15019126	1SS133 T-77	SWITCHING DIODE	D1-9,D11,D13-16	14	
	F5029133	L-934MBD	LED	LED1	1	
	SD000121	FL402 BRIDGE	DIODE	BD1	1	
	15019654	RD16EB2-T1	DIODE	D17-18	2	
RESISTOR						
#	SD000686	0.1 OHM 2W	METAL OXIDE RESISTOR	R137	1	
#	SD000684	120 OHM 3W	METAL OXIDE RESISTOR	R132,R128	2	
#	SD000683	27 OHM 1/2W	METAL OXIDE RESISTOR	R131	1	
#	SD000676	82 OHM 1/2W	CARBON RESISTOR	R58,R61	2	
POTENTIOMETER						
	01120145	RK11K112 10KB	POTENTIOMETER	VR7	1	
	01120134	RK11K1120091 20KB CC	POTENTIOMETER	VR5,VR6	2	
	01120112	RK11K1120AA3 100KB	POTENTIOMETER	VR1-4	4	
CAPACITOR						
	SD000352	3300UF/50V	ELECTROLYIC CAPACITOR	C104,C111	2	
#	SD000601	100UF/50V	ELECTORIC CAPACITOR	C102,C113,C126	3	
	SD000353	470UF/35V	ELECTORIC CAPACITOR	C105,C122,C124	3	
	SD000246	EC8472MH	CERAMIC CAPACITOR	C110	1	
	SD000247	PY17FY472MLO	CERAMIC CAPACITOR	C109	1	
FUSE,FUSE HOLDER						
#	△	SD000605	MRT 125 MA	RADIAL TYPE	FUSE4-5	2
#	△	SD000604	MRT 2 A	RADIAL TYPE	FUSE2-3	2
	△	12199550RT	HFT-015	FUSE HOLDER	FUSE1	2
#	△	SD000602	5ST L/250V (100V/117V)	FUSE	FUSE1(100/117V)	1
#	△	SD000603	5ST 800MA/250V	FUSE	FUSE1(230/240V)	1
CONNECTOR						
		13369541	B10B-PH-K-S	CONNECTOR	CN3-4	2
		13369586	B3P-VH	CONNECTOR	CN5	1
		13369568	JST B3B-PH-K-S	CONNECTOR	CN1-2	2
WIRING, CABLE						
#		SD000612	WIRING	W7 (50MM BLACK)	WP7 to CHASSIS-GND	1
#		SD000609	WIRING	W6 (120MM BLACK)	WP3 to CHASSIS-GND	1
#		SD000608	WIRING	W5 (80MM BLACK)	WP1,WP2 to AC SW	2
#		SD000611	WIRING	W4 (4P 350&230MM)	WP6 to WOOFER&TWEETER	1
#		SD000610	WIRING	W3 (12P 350MM)	WP4 to WP5	1
#		SD000606	WIRING	W2 (3P 230MM)	CN1 to CN2	1
#		SD000607	WIRING	W1 (10P 250MM)	CN3 to CN4	1
TRANSFORMER						
#	△	SD000613	TRANSFORMER(100V/117V)		1	
	△	SD000681	TRANSFORMER(230V/240V)		1	

AC CORD ASSY (Installed)

#	△	SD000221	AC CORD ASSY 117V	181-BG413-UC	1
#	△	SD000591	AC CORD ASSY 230V	181-BG413-G	1
#	△	SD000625	AC CORD ASSY 230VE	181-BG413-B	1
#	△	SD000629	AC CORD ASSY 240V	181-BG413-A	1

SCREWS

40011756	FLANGE HEX NUT M3	ZC	fix AC CORD	2
40562578	SCREW 3X8	TRUSS TAPTITE B BZC	fix BATCH KC	2
40010667	SCREW M4X16	TRUSS TAPPING-A FE BZC	fix GRILL,TW,AC TIE	13
40010678	SCREW 4X20	TRUSS TAPPING A1 FE BZC	fix CHASSIS,FOOT,STAND ADAPTOR	12
TE930140	SCREW 3.5X14	TRUSS TAPPING A BZC	fix CORNER	16
40010145	SCREW M4X25	TRUSS FE BZC	fix WOOFER	4
40013012	SCREW M4X10	PAN W SEMS FE BZC	fix TRANS,TRANS HOLDER	10
40012989	SCREW 3X20	PAN MACHINE W/SW+PW ZC	fix AC CORD	2
40012867	SCREW M3X8	PAN MACHINE W/SW+PW ZC	fix PCB,HEATSINK	11
40012956	SCREW M3X8	PAN MACHINE W/SW+PW FE BZC	fix HEATSINK HONDER,	
40012967	SCREW M3X10	PAN MACHINE W/SW+PW BZC	fix IC9	1
40230789	SCREW 3X10	OVAL MACHINE BZC	fix BATCH ROLAND	2
40010601	SCREW M5X35	ORIGINAL TRUSS MACHINE FE BZC	fix CHASSIS	4
40238267	SCREW M5X40	OHP MACHINE BZC	fix CHASSIS to HANDLE	4
40011889	EXTERNAL TOOTH WASHER M4	FECM	fix W6,AC CORD GND	2
40011767	FLANGE HEX NUT M4	FE ZC	fix W6,AC CORD GND	2
40011689	SPEED NUT M3	F-TYPE	fix BATCH ROLAND	2
40011312	SCREW 3X8	BINDING TAPTITE P BZC	fix JK7	1
40233012	SCREW M2.6X8	BINDING TAPTITE P BZC	fix JK2	2
2215775600	JACK NUT	215-756		7
17048630	VR ACCESSORY NUT M9		fix VR1-7	6
17048631	VR ACCESSORY WASHER M9		fix VR1-7	6

PACKING

#	SD000615	PACKING CASE		1
#	SD000616	PAD LOWER		1
#	SD000617	PAD UPPER		1

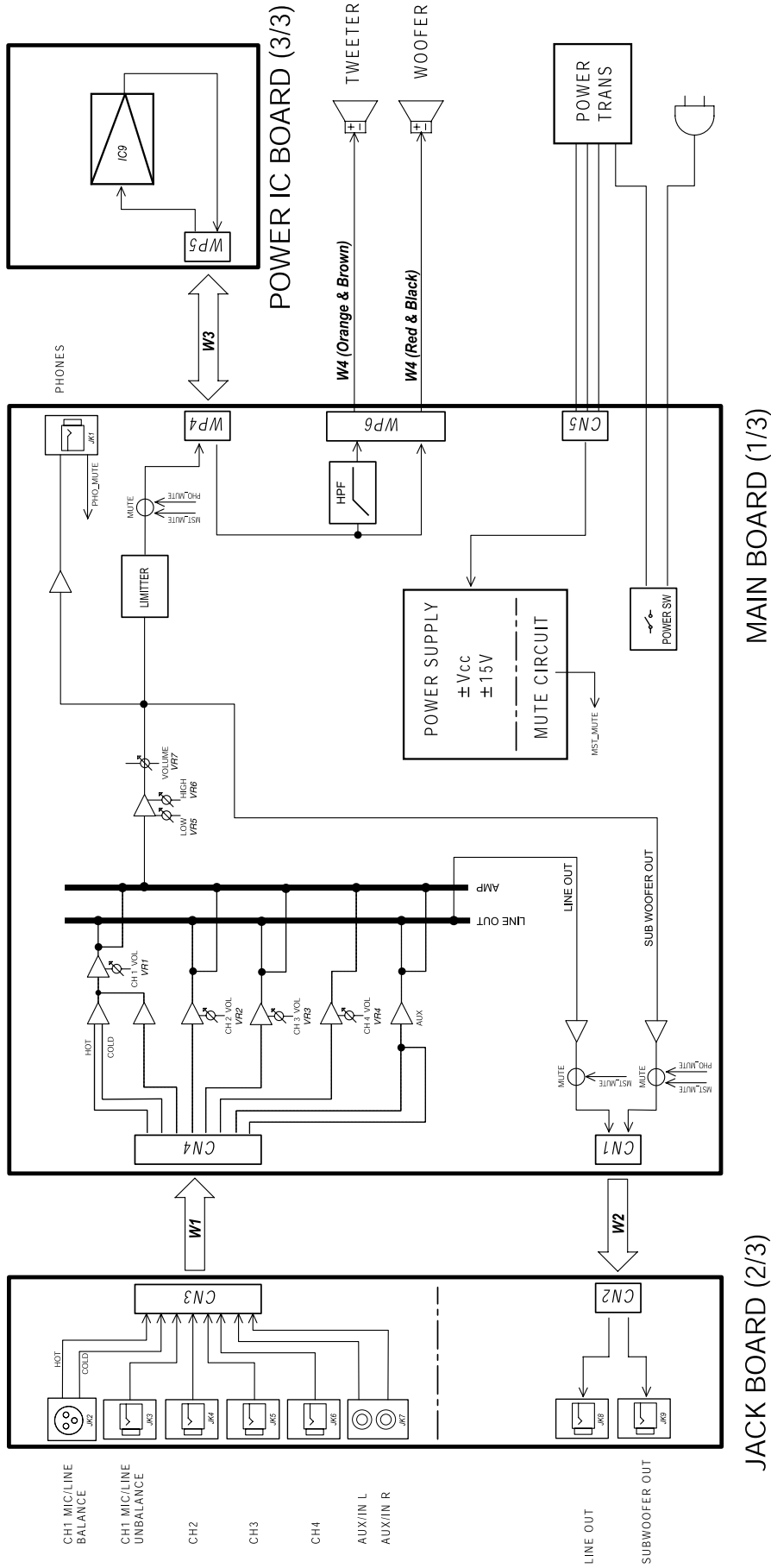
MISCELLANEOUS

#	SD000622	TERMINAL	PT1870502	TER1-5	5
#	SD000621	SPEACER	H=8MM	for R128,132,137,BD1	8
#	SD000618	HEATSINK	90MM BLACK		1
#	SD000624	CENTER HOLDER SHEET	423X20X0.5T		1

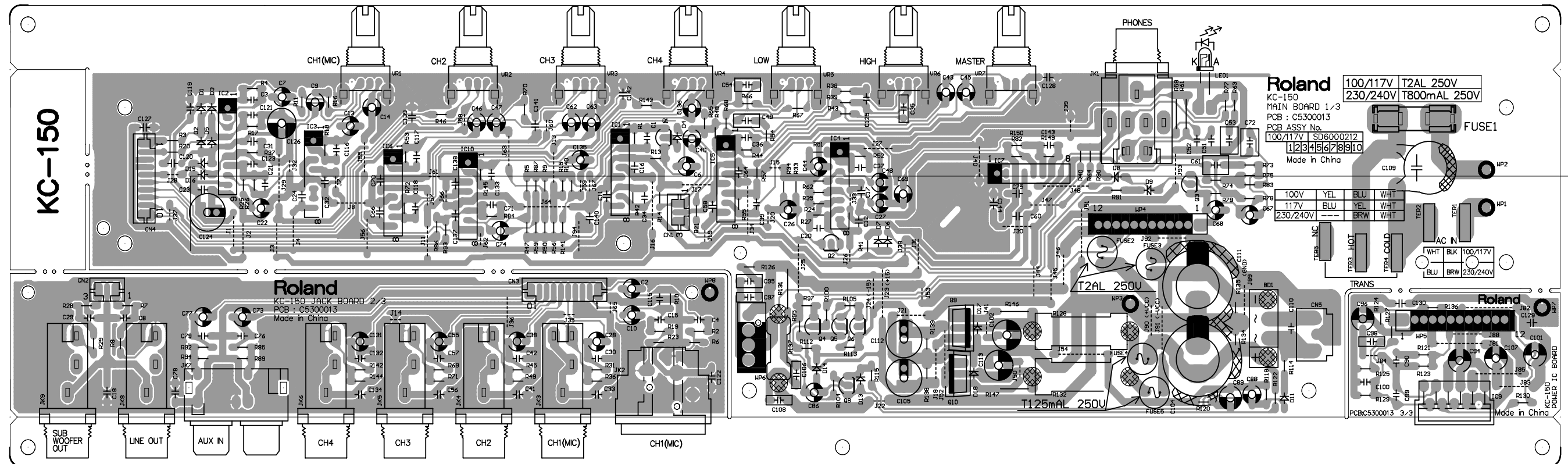
ACCESSORIES (Standard)

	40232334	WARRANTY CARD	MOCHIKOMI JAPAN ONLY		1
#	SD000213	OWNER'S MANUAL	JAPANESE		1
#	SD000214	OWNER'S MANUAL	ENGLISH		1

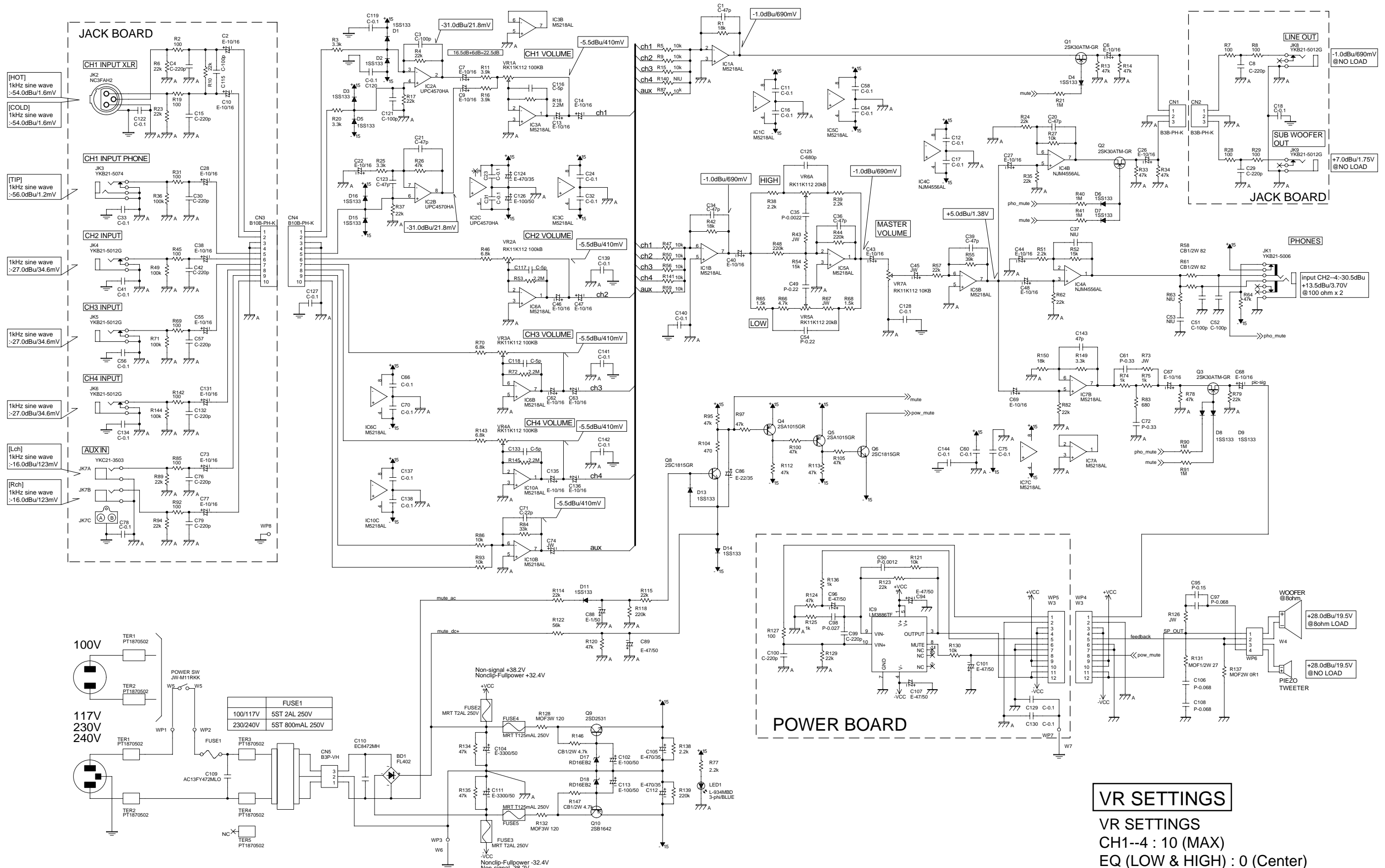
BLOCK DIAGRAM



CIRCUIT BOARD



CIRCUIT DIAGRAM



VR SETTINGS

- VR SETTINGS
- CH1--4 : 10 (MAX)
- EQ (LOW & HIGH) : 0 (Center)
- VOLUME : 10 (MAX)

MAIN BOARD

