

ORGAN VK-9

SERVICE NOTES

CONTENTS

SPECIFICATIONS	1
PARTS SYMBOLS	1
KEYER TONE GATE UPPER	2/3
KEYER TONE GATE TONE DIVIDER LOWER	4/5
TONE GATE KEYER LOCATION	6
LOCATING KEYING CIRCUIT	7
MASTER OSCILLATOR	8
SUSTAIN CONTROL	9
SELECTOR	9
TONE GENERATOR DRIVER	10/11
DRAWBAR GATE	
DRAWBAR POWER SUPPLY	
PRESET	
SYNTH. PERC. CONTROL	12/13
BASS	14/15
FILTER	16
SIGNAL FLOW CHART	17
PREAMPLIFIER	18/19
POWER SUPPLY	20
DISASSEMBLY PARTS LAYOUT	21
ADJUSTMENT	22
KEYBOARD PARTS	23
EXPRESSION PEDAL	24
PEDALBOARD	25
PARTS LIST	26

SPECIFICATIONS VK-9 (ORGAN + STAND)

- **KEYBOARD**
Upper manual: 61 notes (C scale)
Lower manual: 61 notes (C scale)
Pedal board: 25 notes (C scale)
- **MANUAL DRAWBAR**
I, II, III, IV, each with
6-2/5' (I only), 16', 5-1/3', 8', 4', 2-2/3', 2', 1-3/5', 1-1/3', 1'
- **BASS DRAWBAR**
Flute 16', 8'; Bright 8'
- **PRESET**
Upper manual: I - Chime; II - Trumpet;
 III - Full Tibias; IV - Theater Brass
Lower manual: I - Dulciana; II - Open Diapason;
 III - Full Accompaniment; IV - Bombarde
** Each timbre is readjustable.*
- **PERCUSSION**
Click attack; Decay fast; 2ND (4'); 3RD (2-2/3'); 5TH (1-3/5'); Volume soft
- **EXTERNAL SYNTHESIZER PORTAMENTO**
Time; Flyback
- **UPPER SUSTAIN I, II**
- **PERCUSSION/SUSTAIN SELECTOR**
- **BASS**
Lower To Pedal; Pedal To Lower; Envelope I, II
- **REVO CONTROL**
Revo (Leslie) Cancel; Chorus; Slow; Fast
- **VIBRATO**
Chorus/Vibrato; Depth I, II
VIBRATO & REVO: Lower; Upper
- **CONNECTION SOCKETS**
- **OUTPUT**
Revo (8P); Leslie (9P); Normal; Bass
- **EXTERNAL EFFECTS**
Upper (Send/Return)
Lower (Send/Return)
Bass (Send/Return)
- **EXTERNAL INPUT**
Before Expression; After Expression
- **EXTERNAL SYNTHESIZER CONTROL JACKS**
KCV/GATE
- **OTHERS**
Brilliance; Pedal Connector; Output Level Changeover Switch; Drawbar Selector (I, II, III); Volume; Organ Tune; Power Switch

- **POWER CONSUMPTION**
37W
- **DIMENSIONS**
1,290(W) x 270/1,000(H, excl/incl stand) x 745(D)mm
50.8(W) x 10.6/39.4(H, excl/incl stand) x 29.4(D)in
- **WEIGHT**
72.6kg, 160lbs.
- **ACCESSORY**
Exclusive stand

VKP-9 (PEDAL BOARD + EXPRESSION PEDAL)

- **KEYBOARD**
25 notes (C scale)
- **DIMENSIONS**
1025/750(W) x 145/102(H) x 930(D)mm
40.3/29.6(W) x 5.7/4.2(H) x 36.6(D)in
- **WEIGHT**
45kg, 99lbs
- **ACCESSORY**
Exclusive expression pedal (Weight: 200g, 0.44lbs); Vinyl cover; Connection cord

VKB-9 (BENCH)

- **SEAT**
- **STAND**
- **BACK RAIL**
- **KNOB BOLT**
- **ASSEMBLY DIMENSIONS**
1,080(W) x 95/180(H) x 400(D)mm
42.5(W) x 3.7/7.1(H) x 15.8(D)in
- **WEIGHT**
10.5kg, 23.2lbs

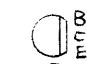



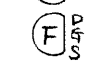


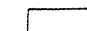
VKE-1 (EXPRESSION PEDAL)

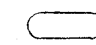


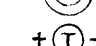

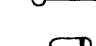
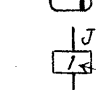
- **CONNECTION CORD**
- **DIMENSIONS**
158(W) x 95/180(H) x 290(D)mm
6.2(W) x 3.7/7.1(H) x 9.5(D)in.

* Specifications are subject to change without notice.

NOTES:

1. UNLESS OTHERWISE SPECIFIED
 ALL RESISTOR VALUES ARE IN OHMS, 1/4WATT, $\pm 5\%$.
 ALL CAPACITOR VALUES ARE IN MICROFARADS.
2. PARTS SYMBOL UNLESS OTHERWISE SHOWN, ARE AS FOLLOW.

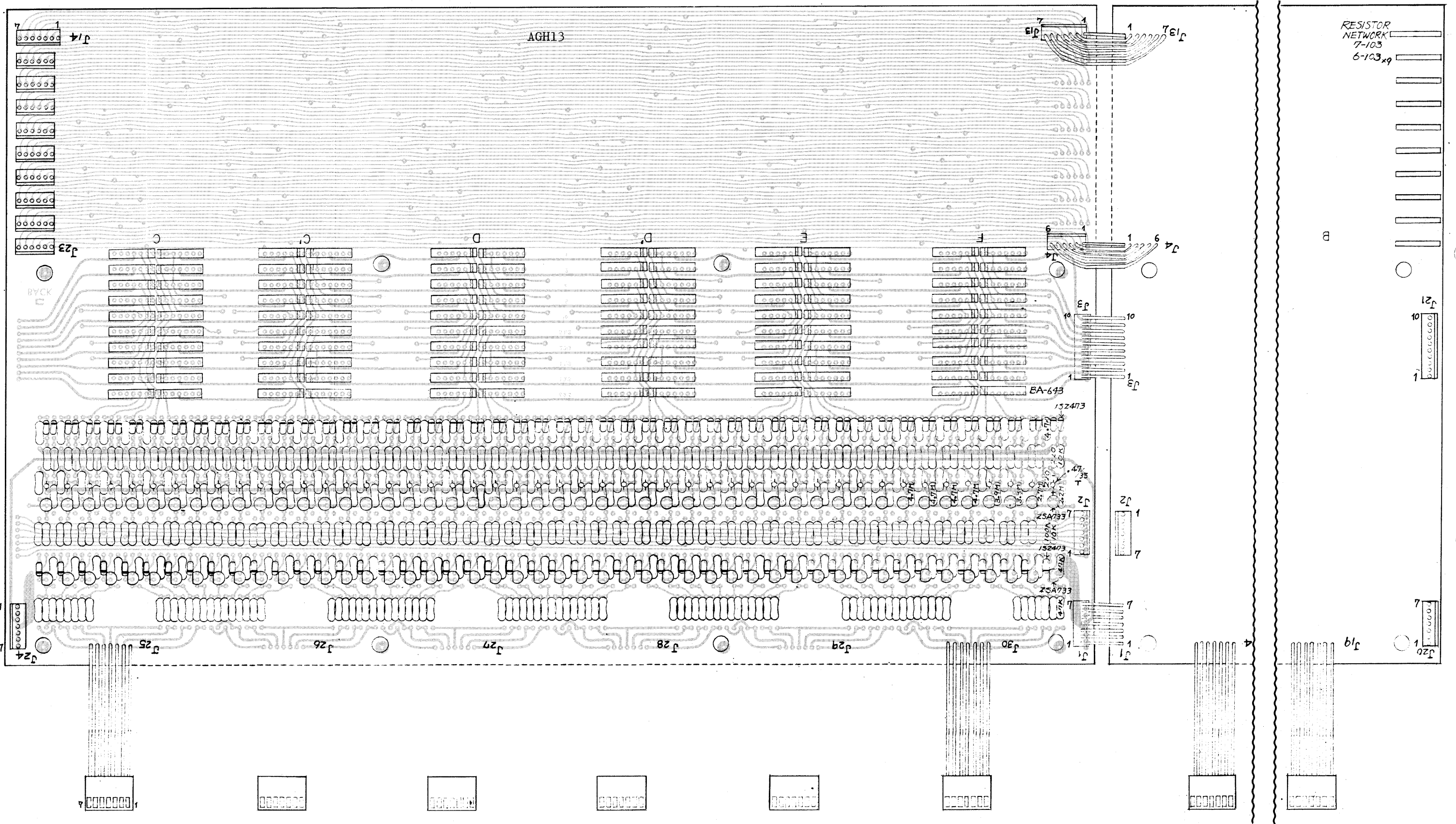
- | | |
|---|-----------------------------|
|  | 2SA733P |
|  | 2SA640 |
|  | 2SC945P |
|  | 2SC1222 |
|  | 2SK30AGR |
|  | CARBON, 1/4W, $\pm 5\%$ |
|  | METAL FILM, 1/4W, $\pm 1\%$ |
|  | SOLID, 1/2W, $\pm 10\%$ |

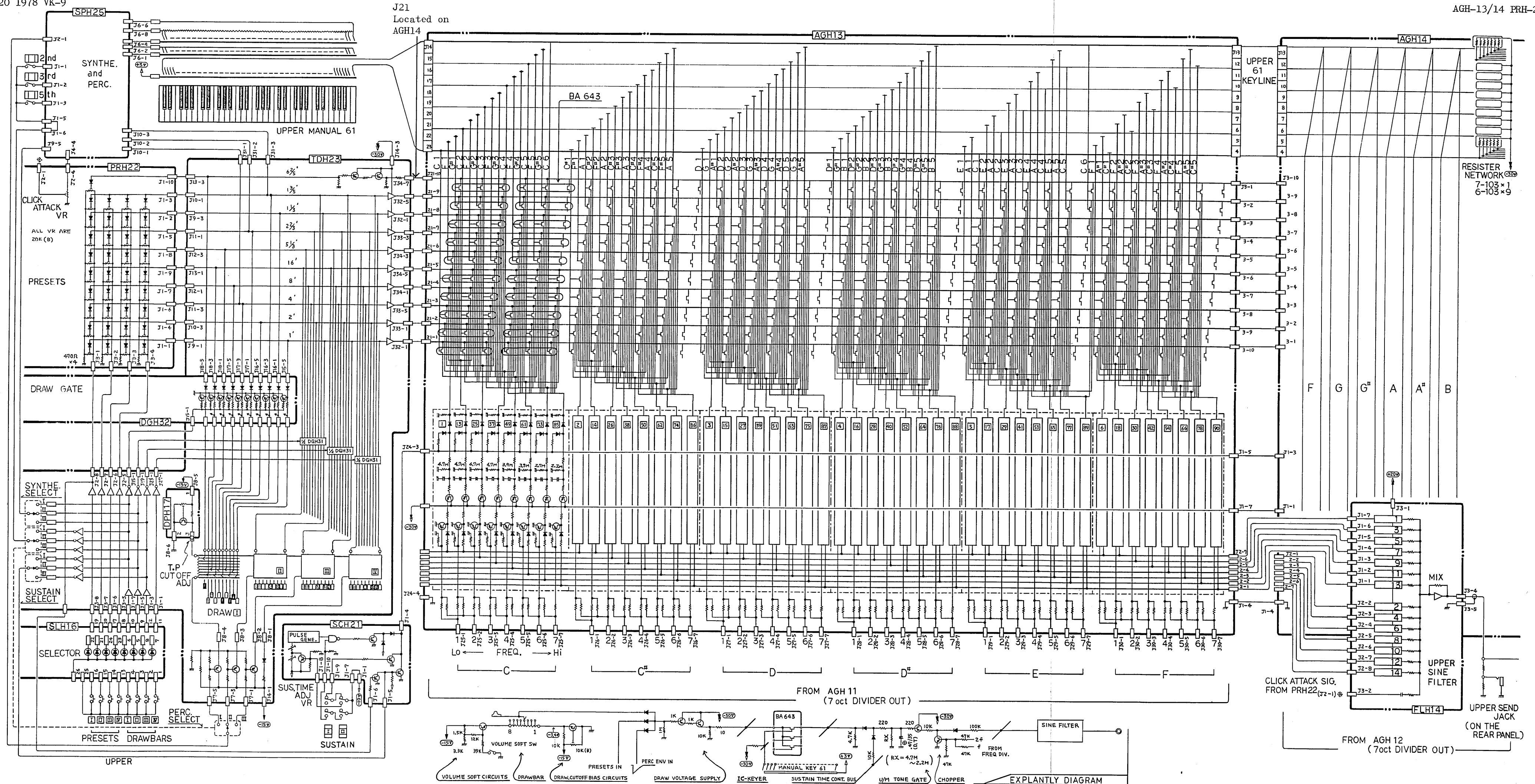
- | | |
|---|--------------------------|
|  | MYLAR |
|  | CERAMIC |
|  | ELECTROLYTIC |
|  | TANTALUM |
|  | JUMP WIRE |
|  | 1S2473 |
|  | CONNECTOR NO.
PIN NO. |

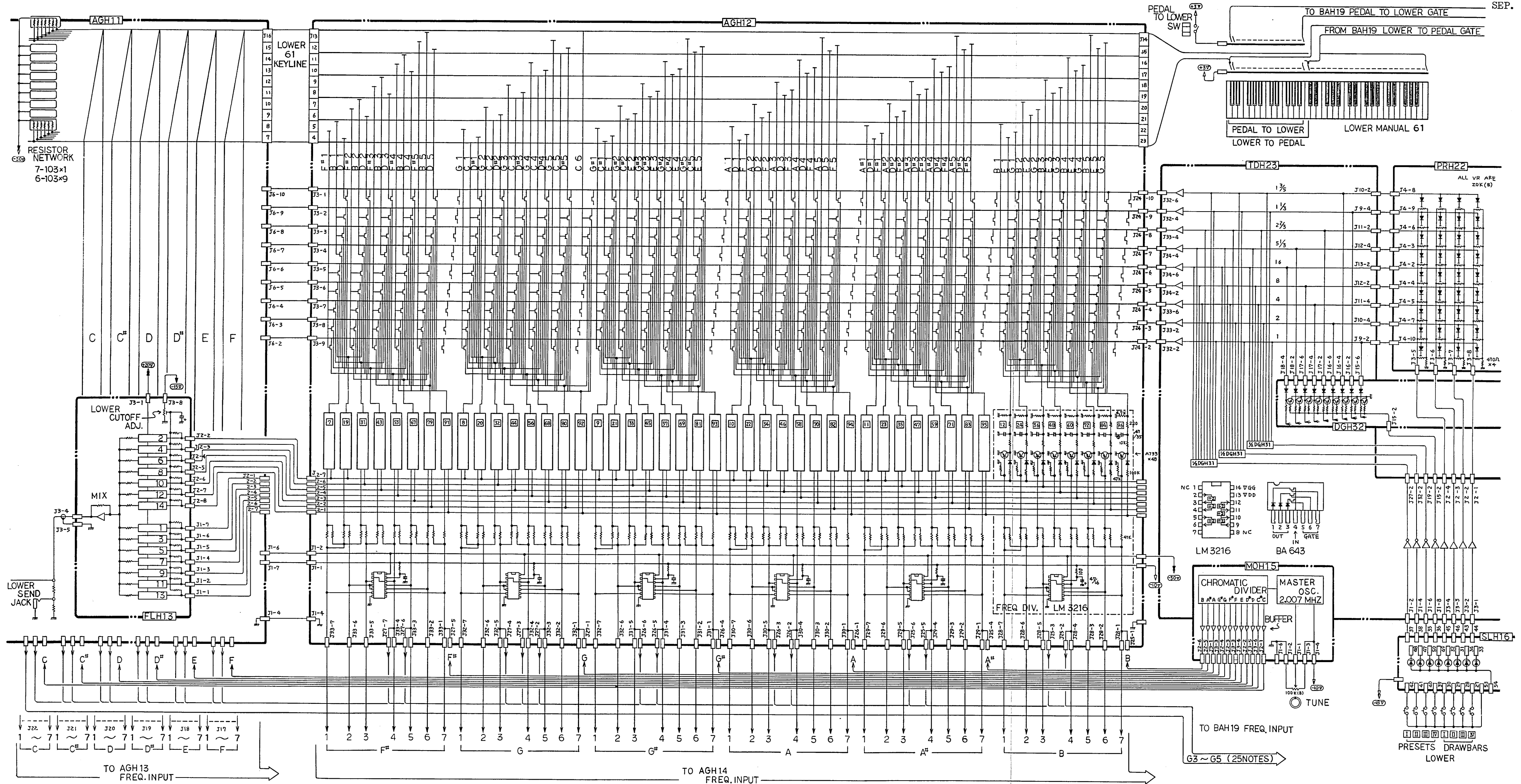
UPPER KEYBOARD KEYING IC TONE GATE

AGH-13 (144H013)

AGH-14 (144H014)





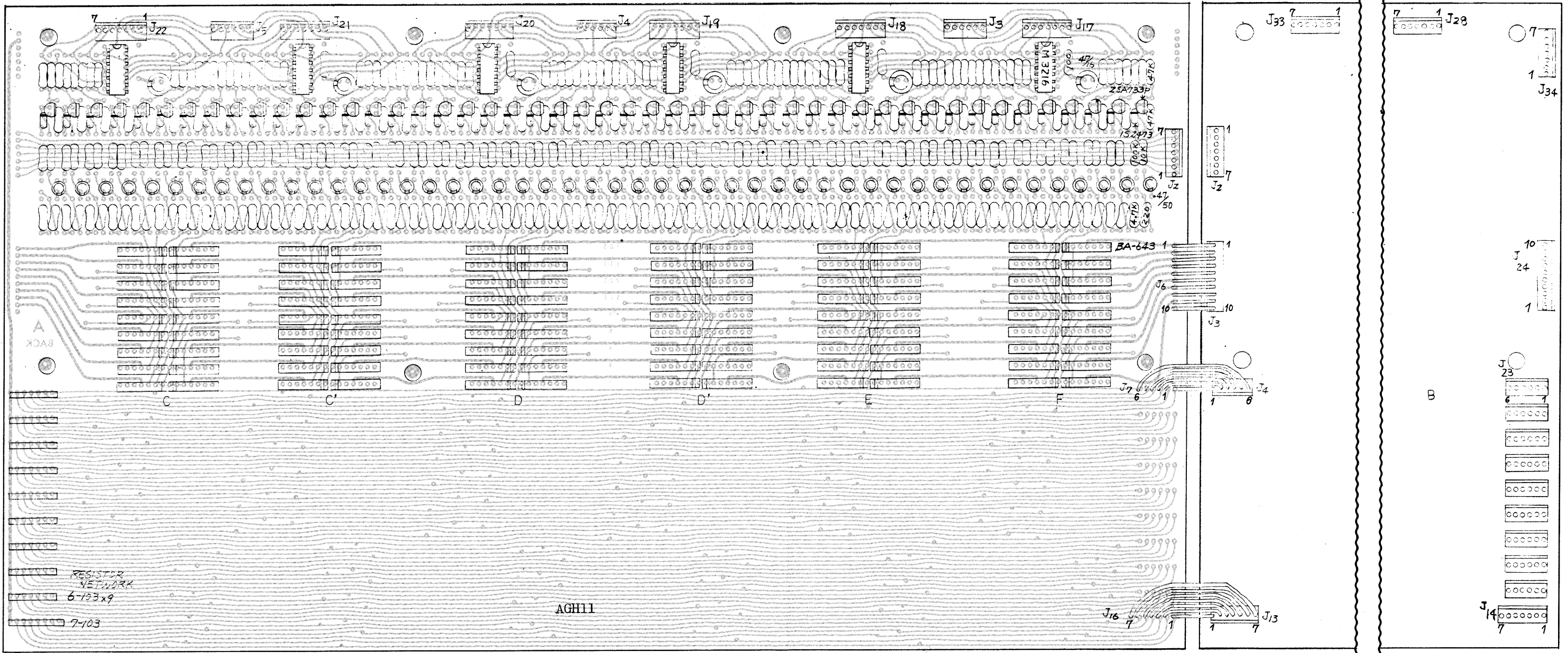


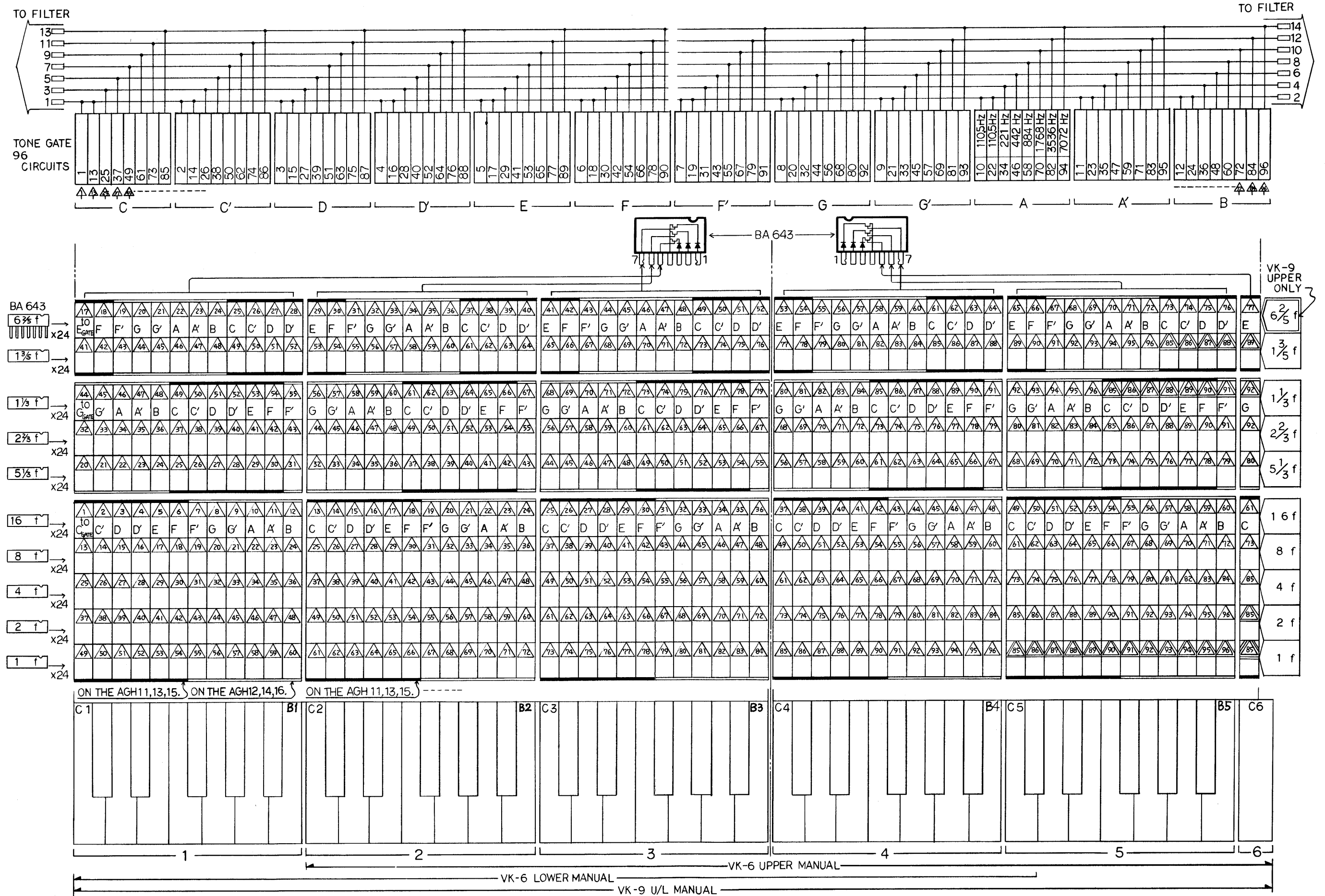
SEP. 20 1978 VK-9

LOWER KEYBOARD KEYING IC, TONE GATE, DIVIDER

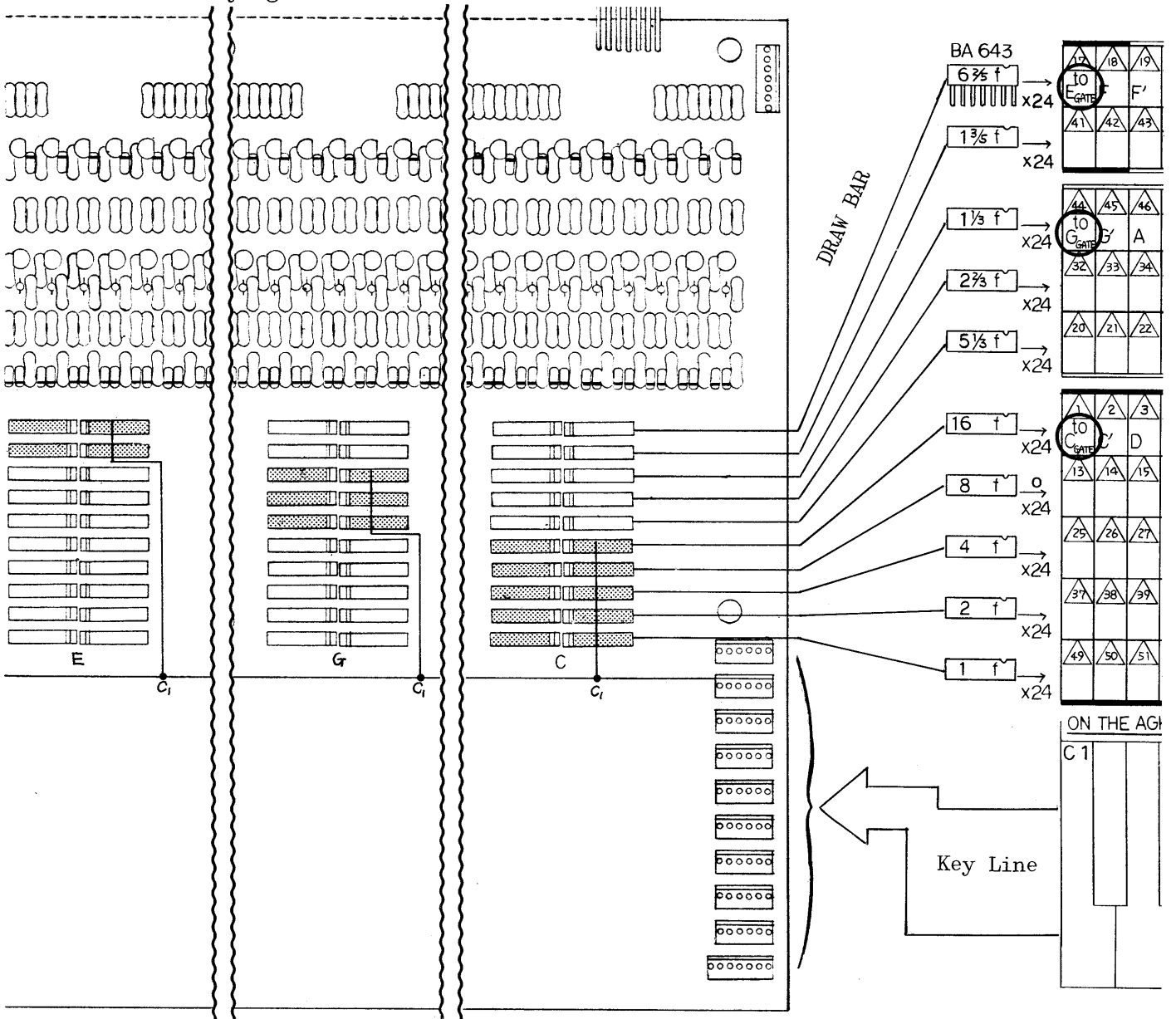
AGH-11 (144H011)

AGH-12 (144H012)





How to Locate Keying IC



HOW TO LOCATE KEYS IC

The legends (C, G, E) in the above figure indicate that the IC's (BA643) located thereon give drawbar voltages of each foot in the table on the right to Tone Gate of the same legend.

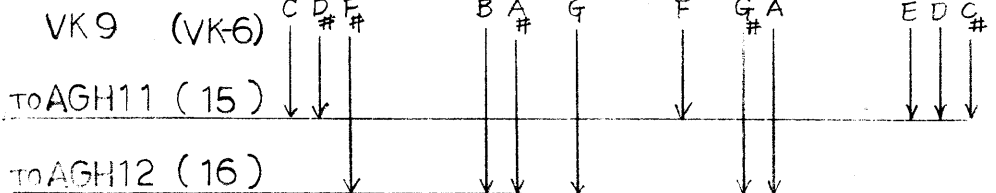
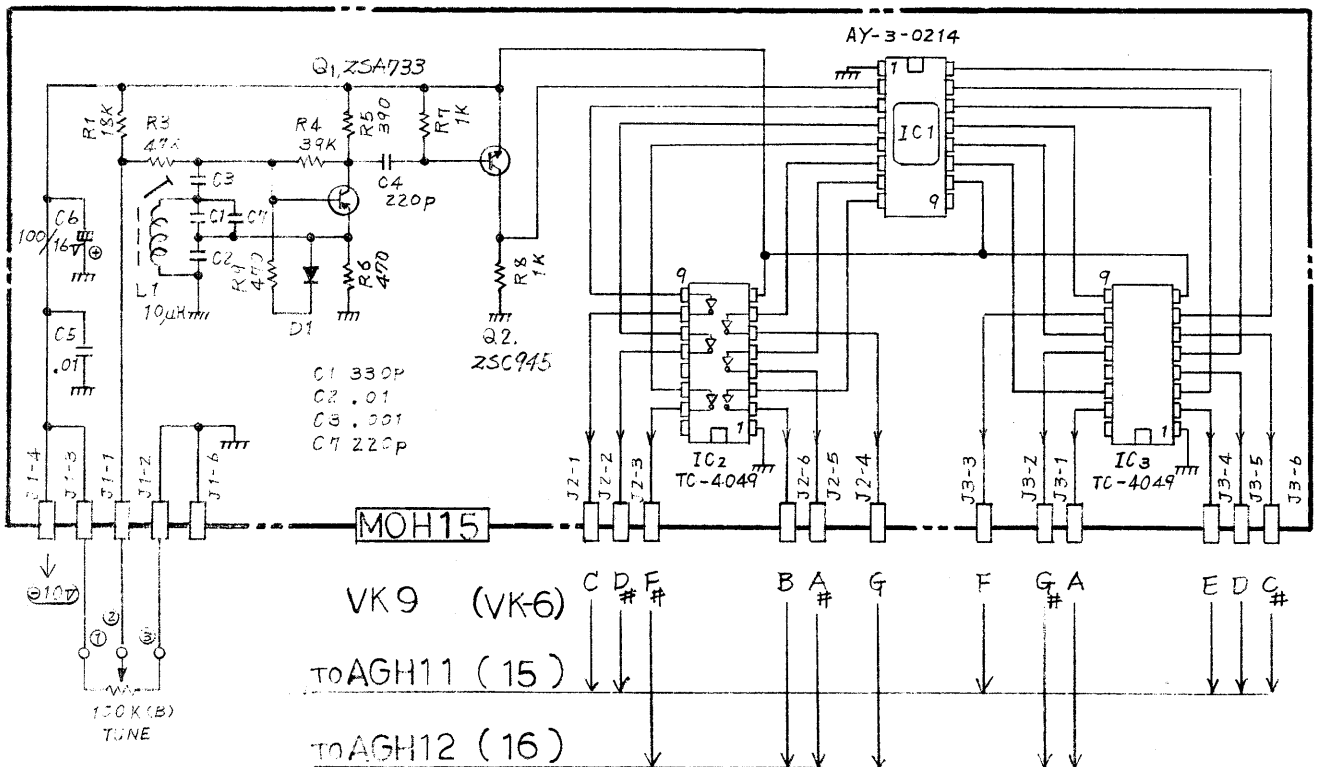
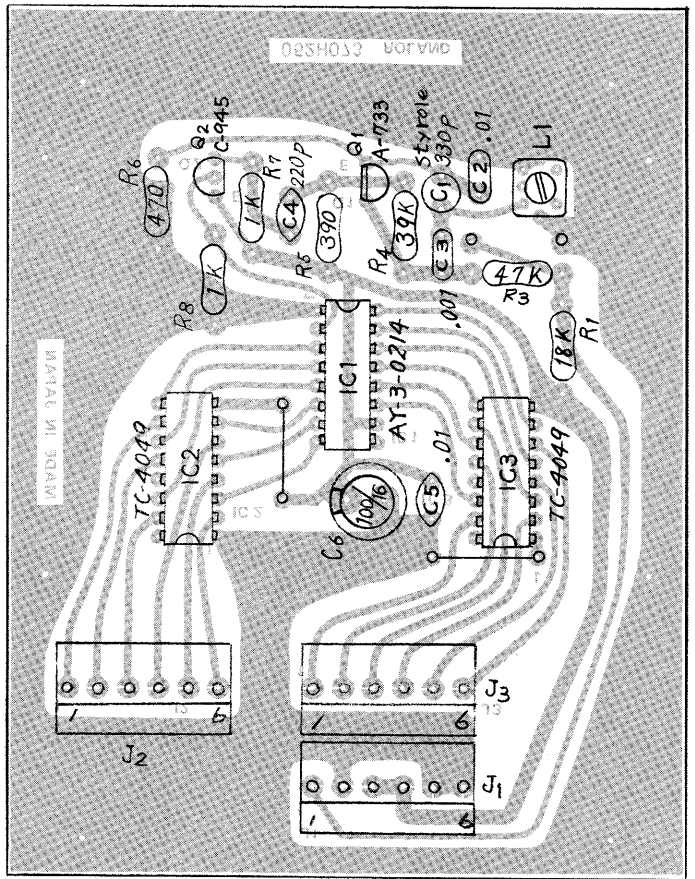
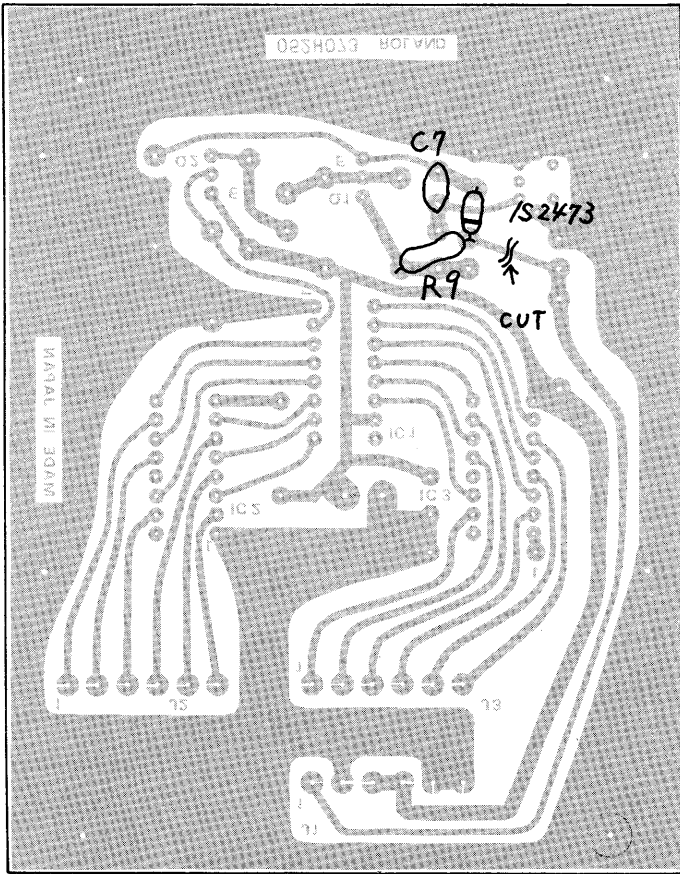
Note, however, that all IC's in the C group are not related with C keys. Only the IC's in the C group marked with screen are related with C keys. Other IC's in the group are activated by F and G' keys.

EXAMPLE: Locating Keyer IC of C Keys

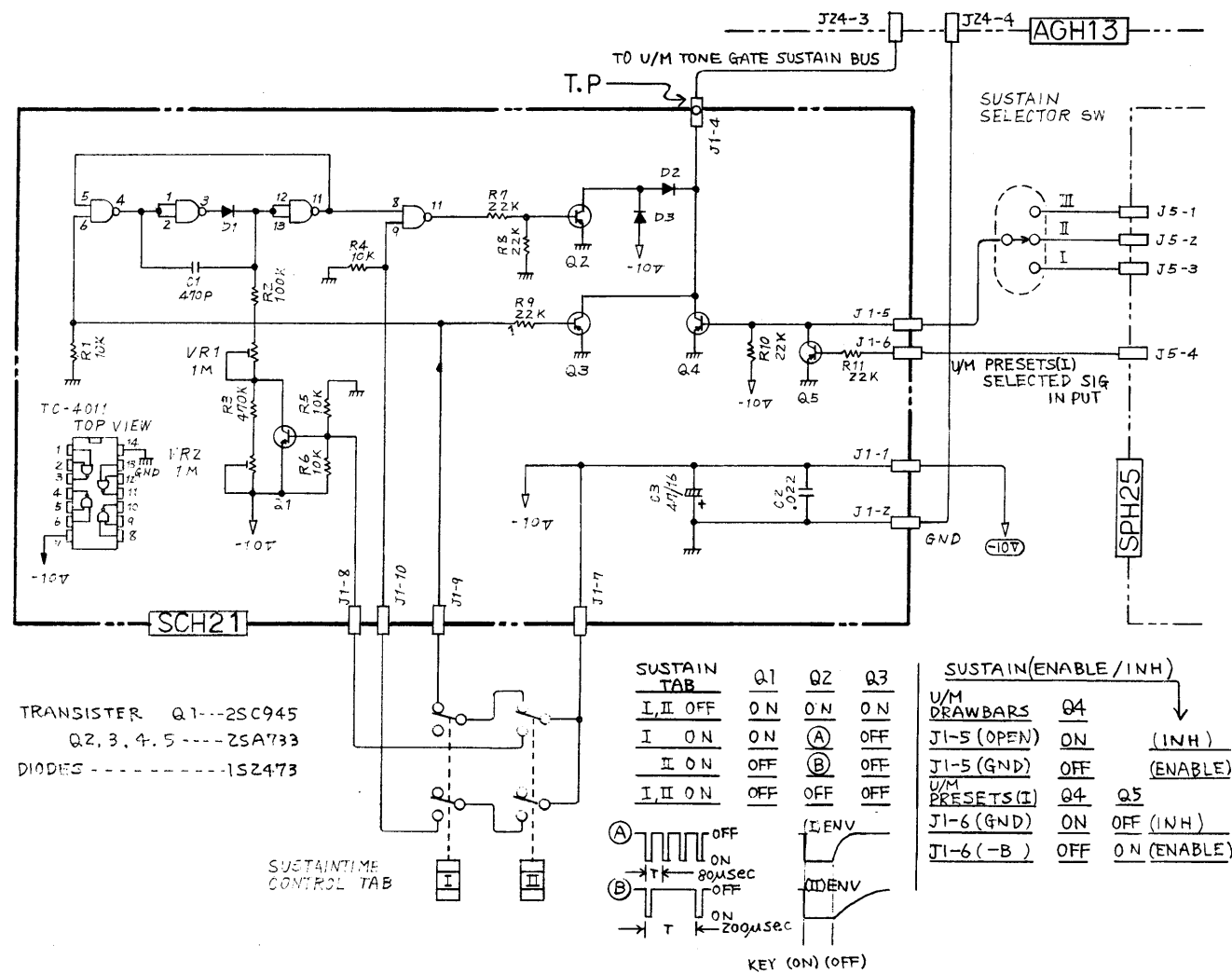
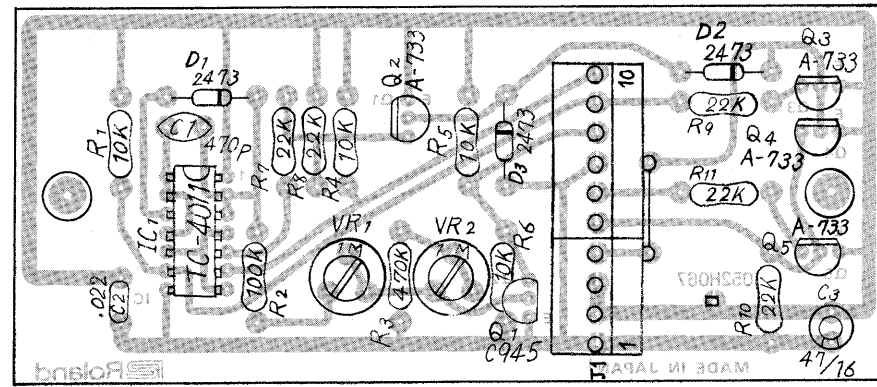
As indicated by "to G Gate" below C1 column (44), the keyer IC's for 5-1/3f, 2-2/3f and 1-1/3f are located in the G group. Thus, the keying circuit for 5-1/3 for C1 key is found in the sixth IC from the bottom in the G group.

The keying IC for 6-2/5f of C1 is known to be located in the E group by indication of "to E Gate." The base of the keyer in question is the pin of BA643 at the uppermost position of the E group which is connected to the foil pattern extending from the C1 point.

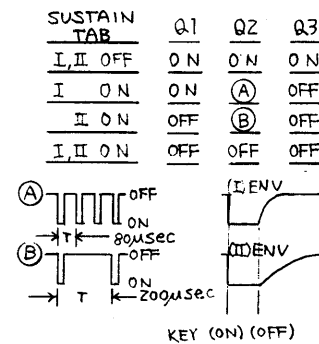
MASTER OSCILLATOR MOH-15 (149H015)



SUSTAIN CONTROL SCH-21 (149H021)

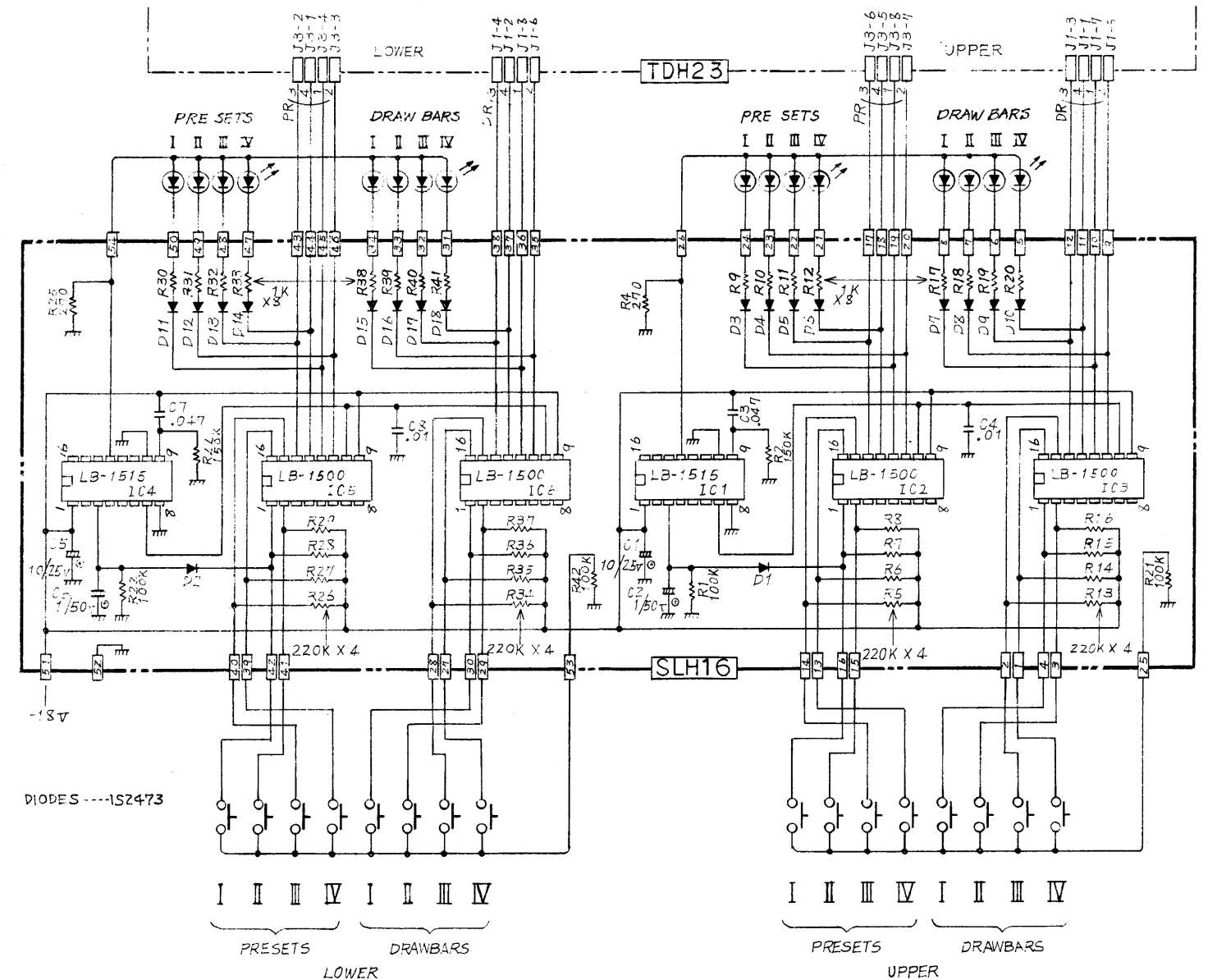
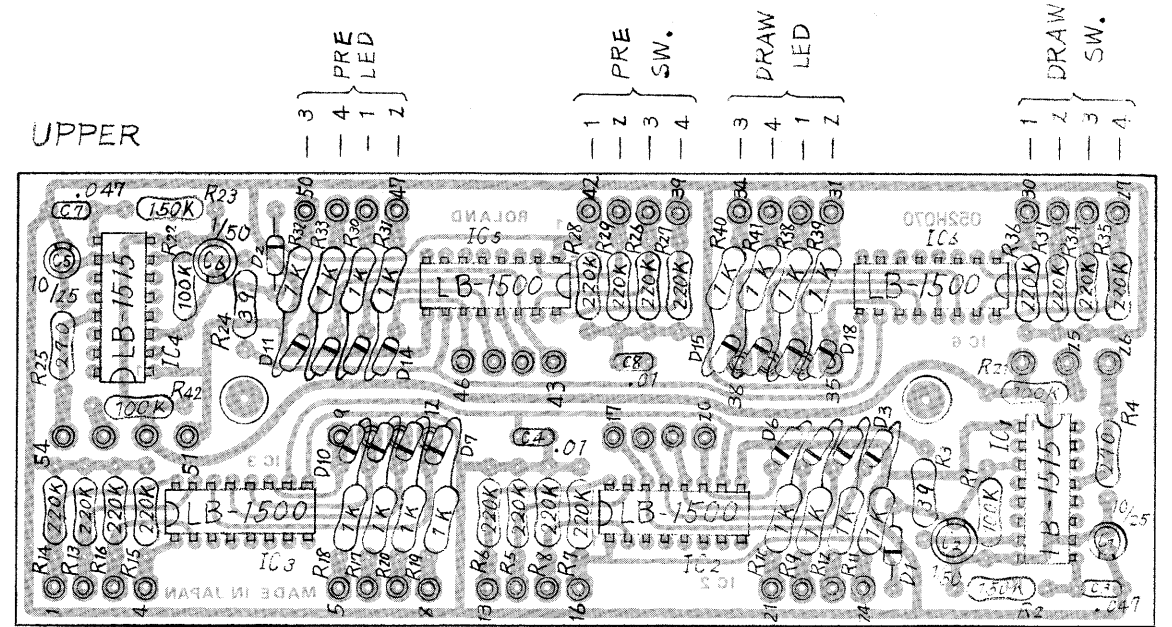


TRANSISTER Q1---2SC945
Q2, 3, 4, 5 ---- 2SA733
DIODES ----- 1S2473



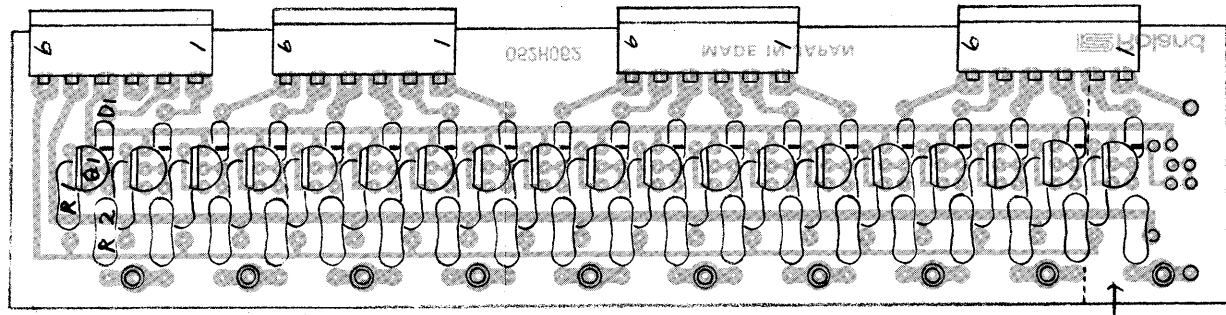
SELECTOR

SLH-16 (149H016)

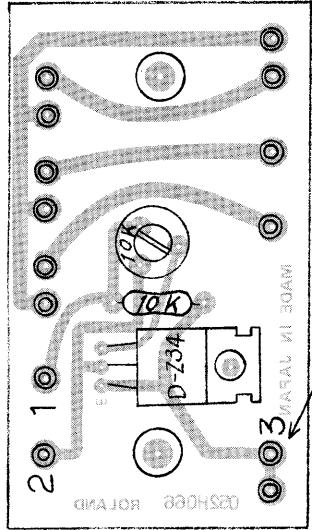


DIODES ---- 1S2473

DRAWBAR GATE
DGH-31 (149H031)
DGH-32 (149H032)



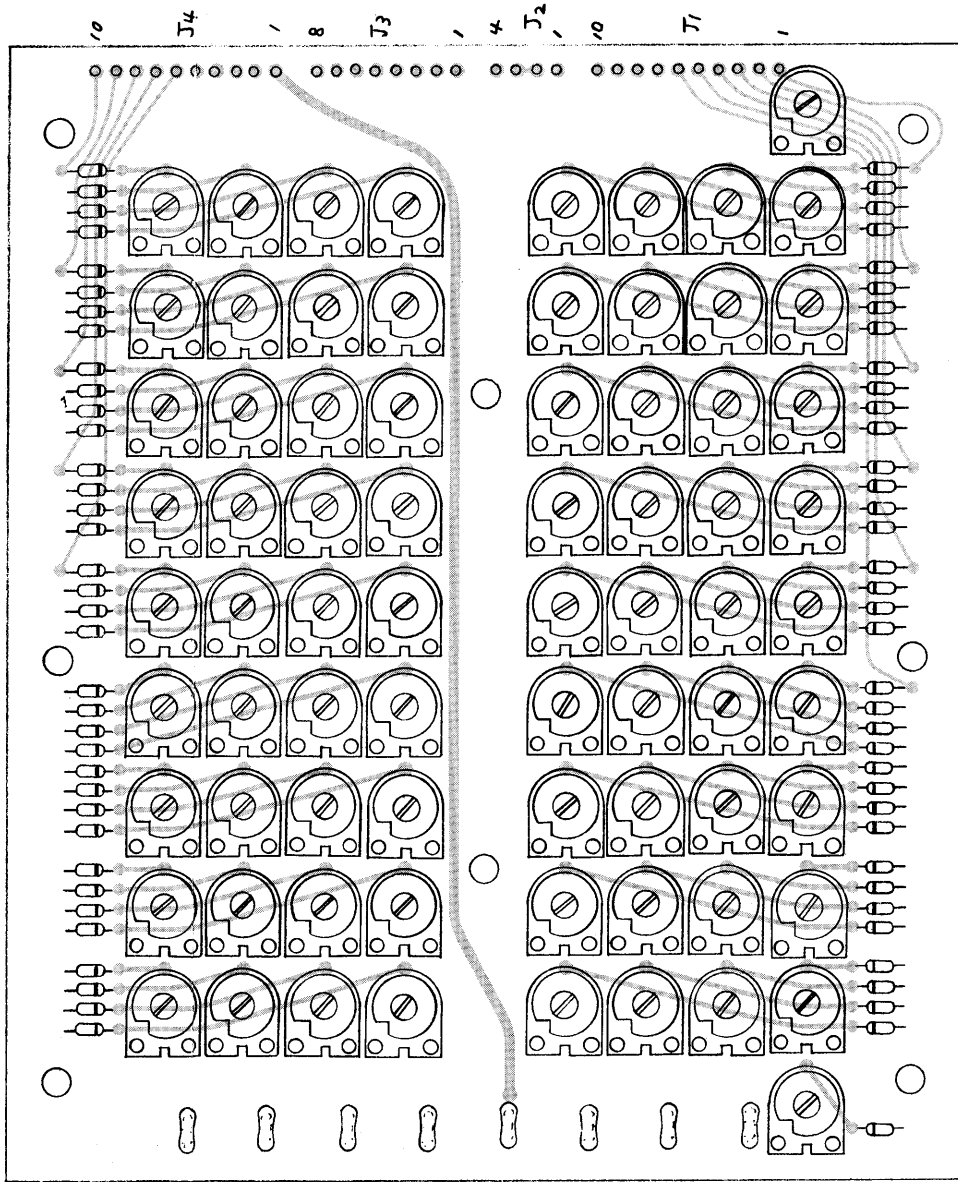
GND -15V



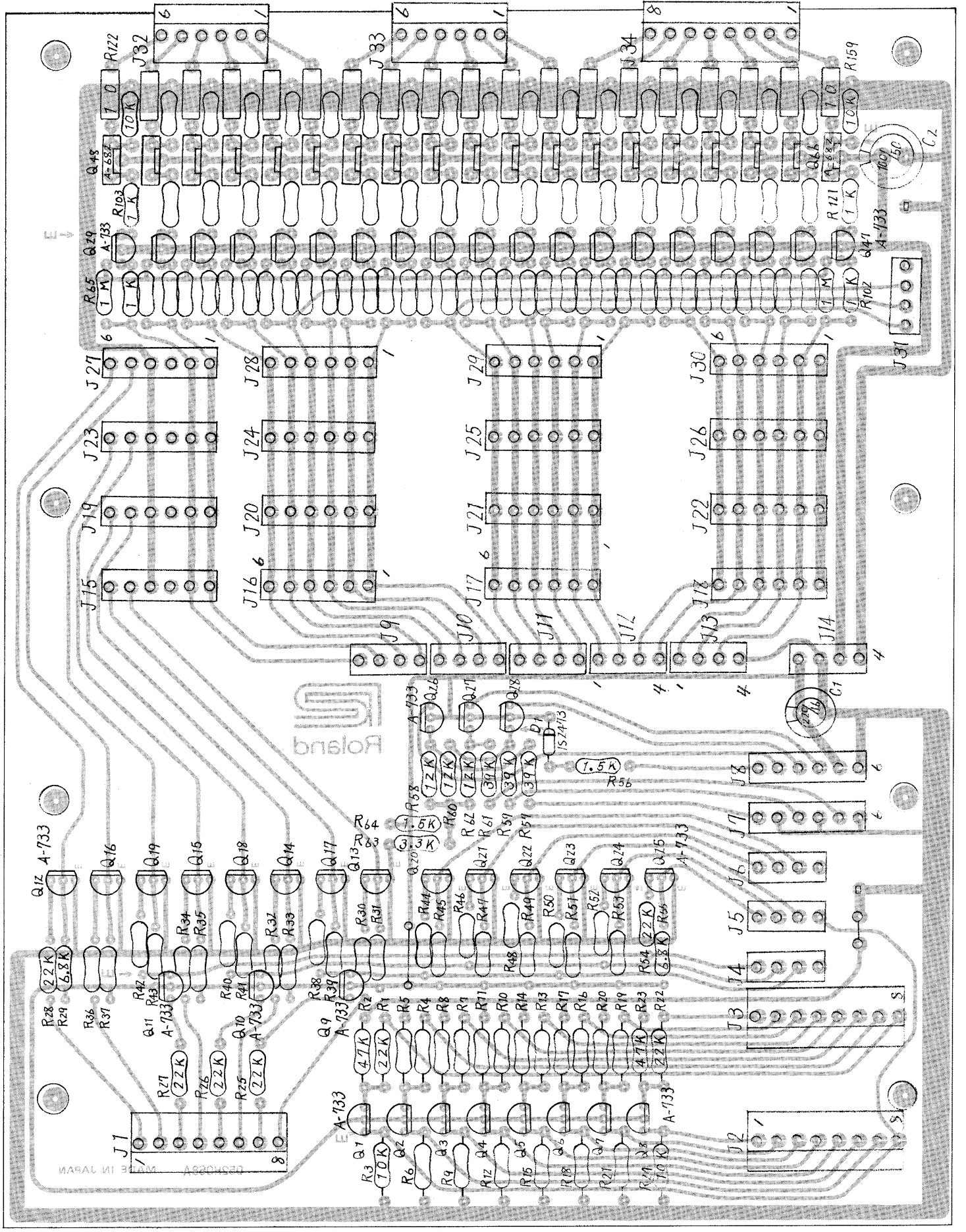
BIAS VOLTAGE T.P

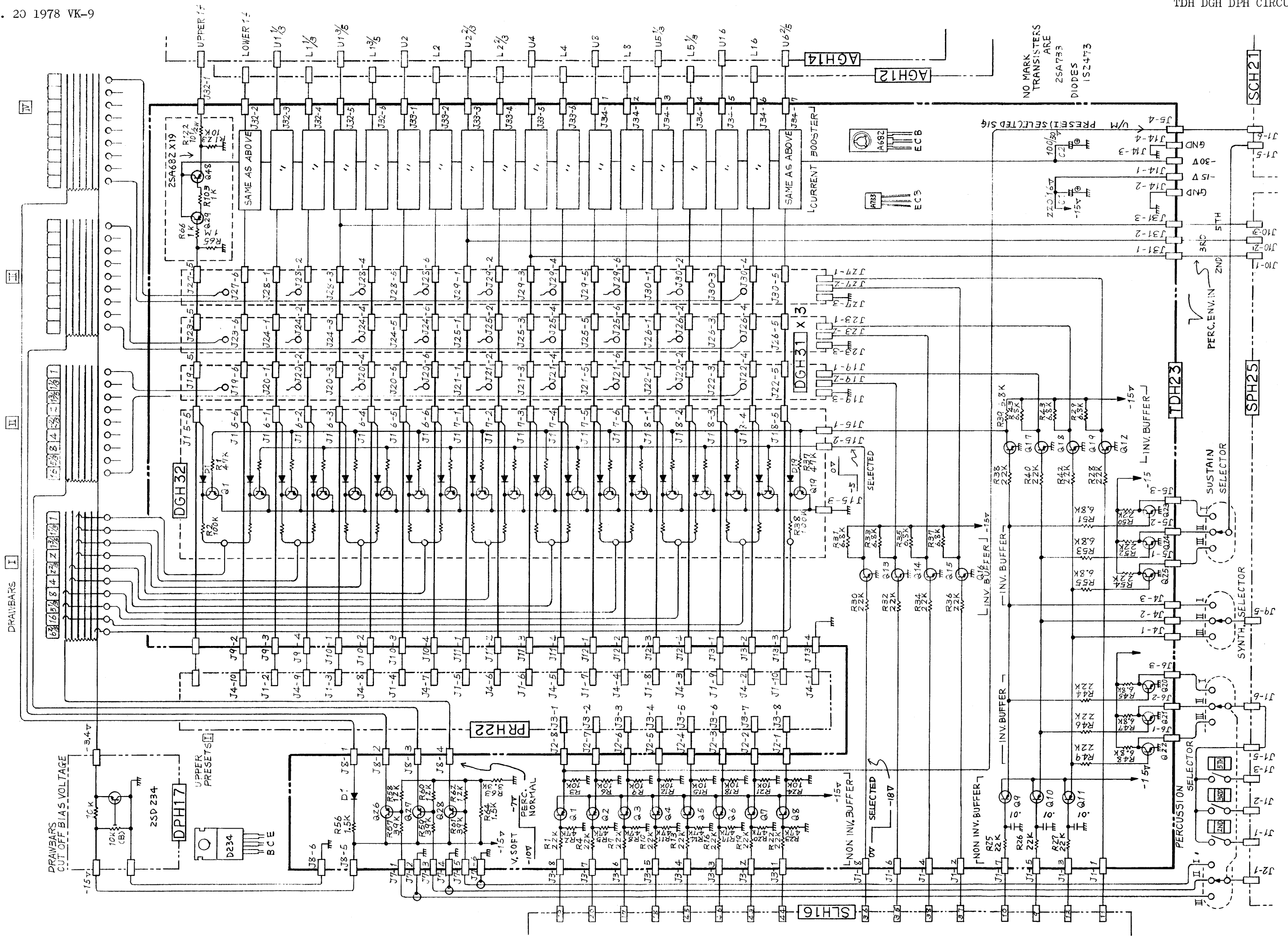
DRAWBAR POWER SUPPLY
DPH-17 (149H017)

PRESET
PRH-22 (149H022)
VIEW FROM FOIL SIDE



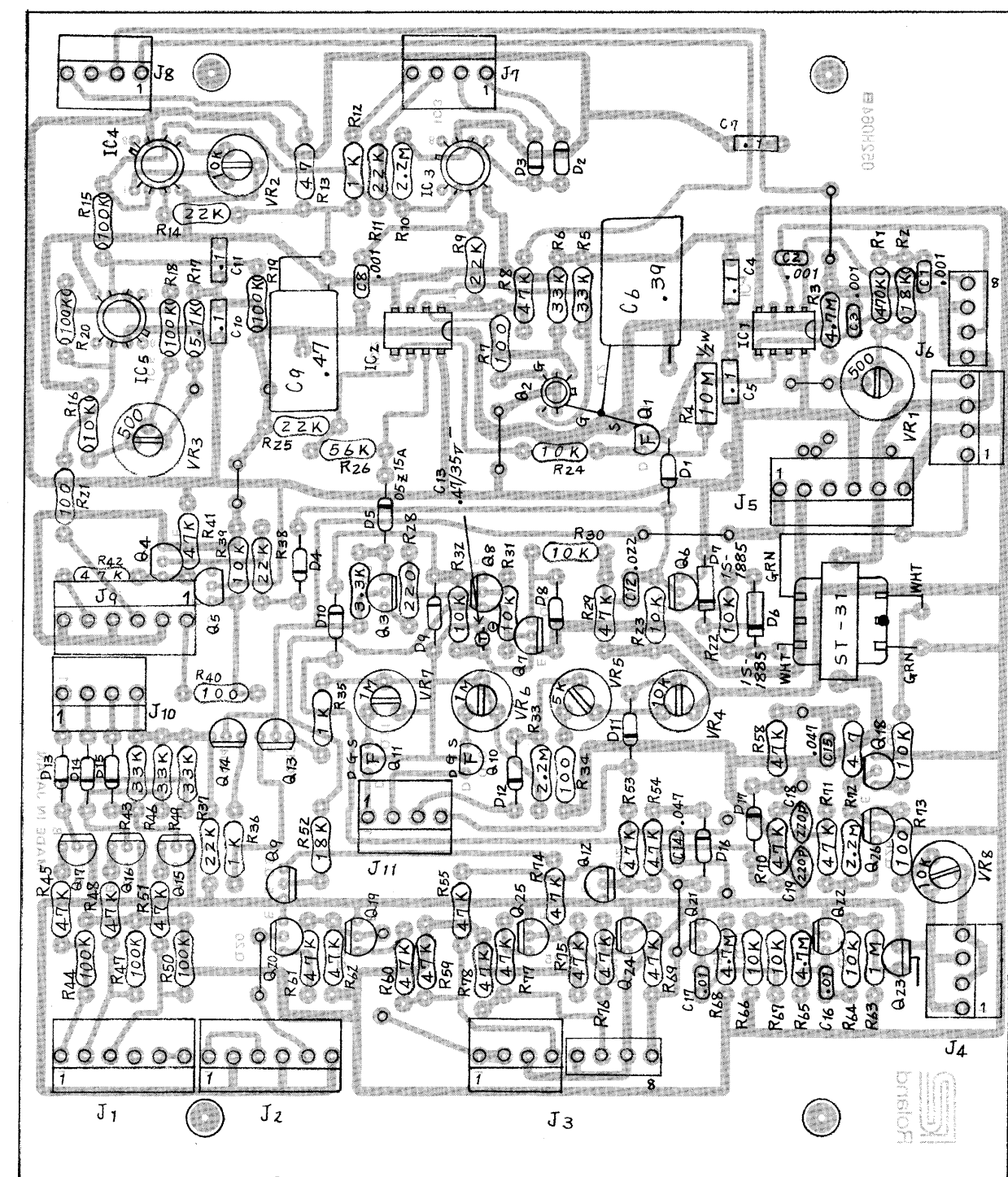
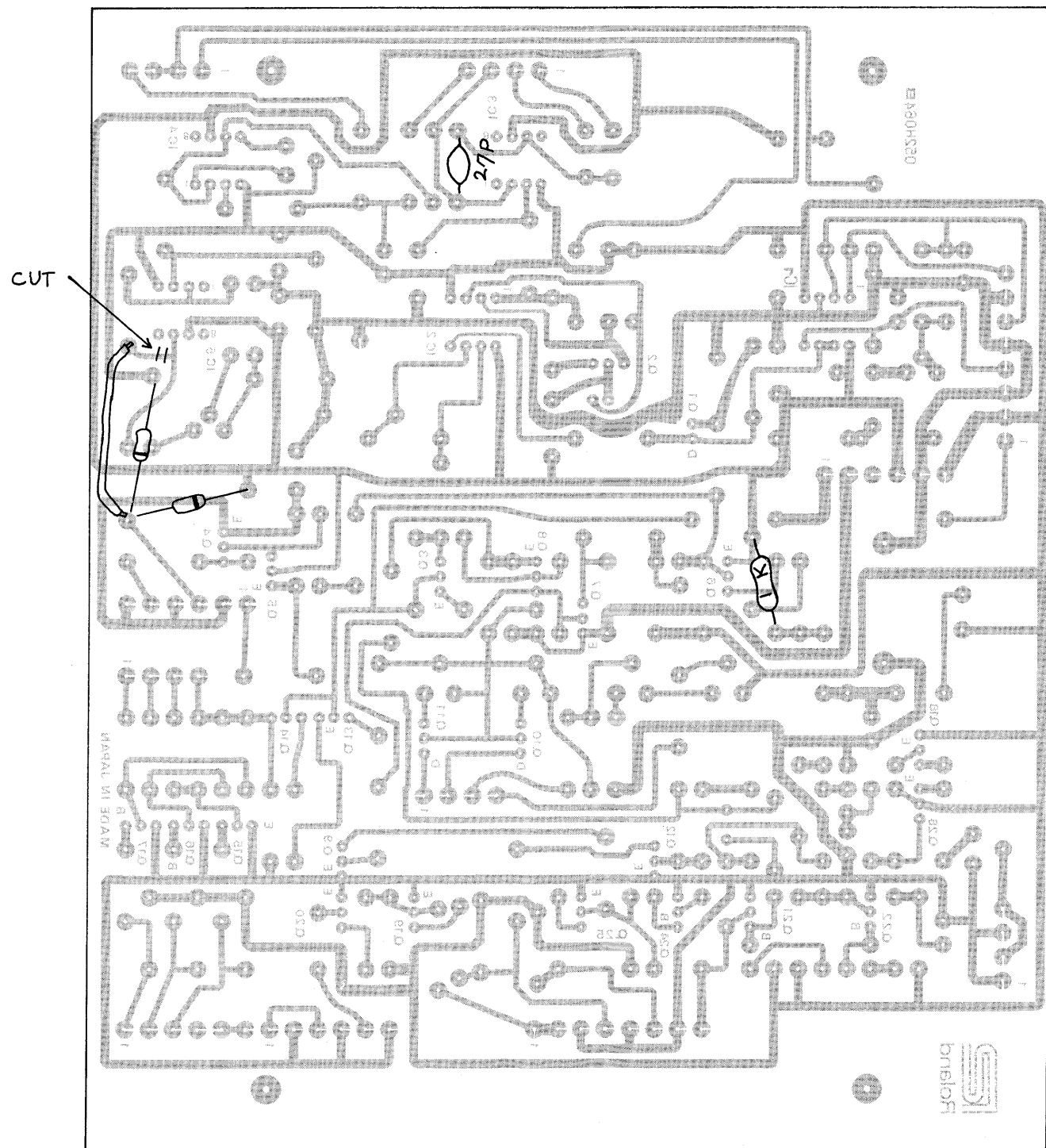
TDH-23 (149H023)

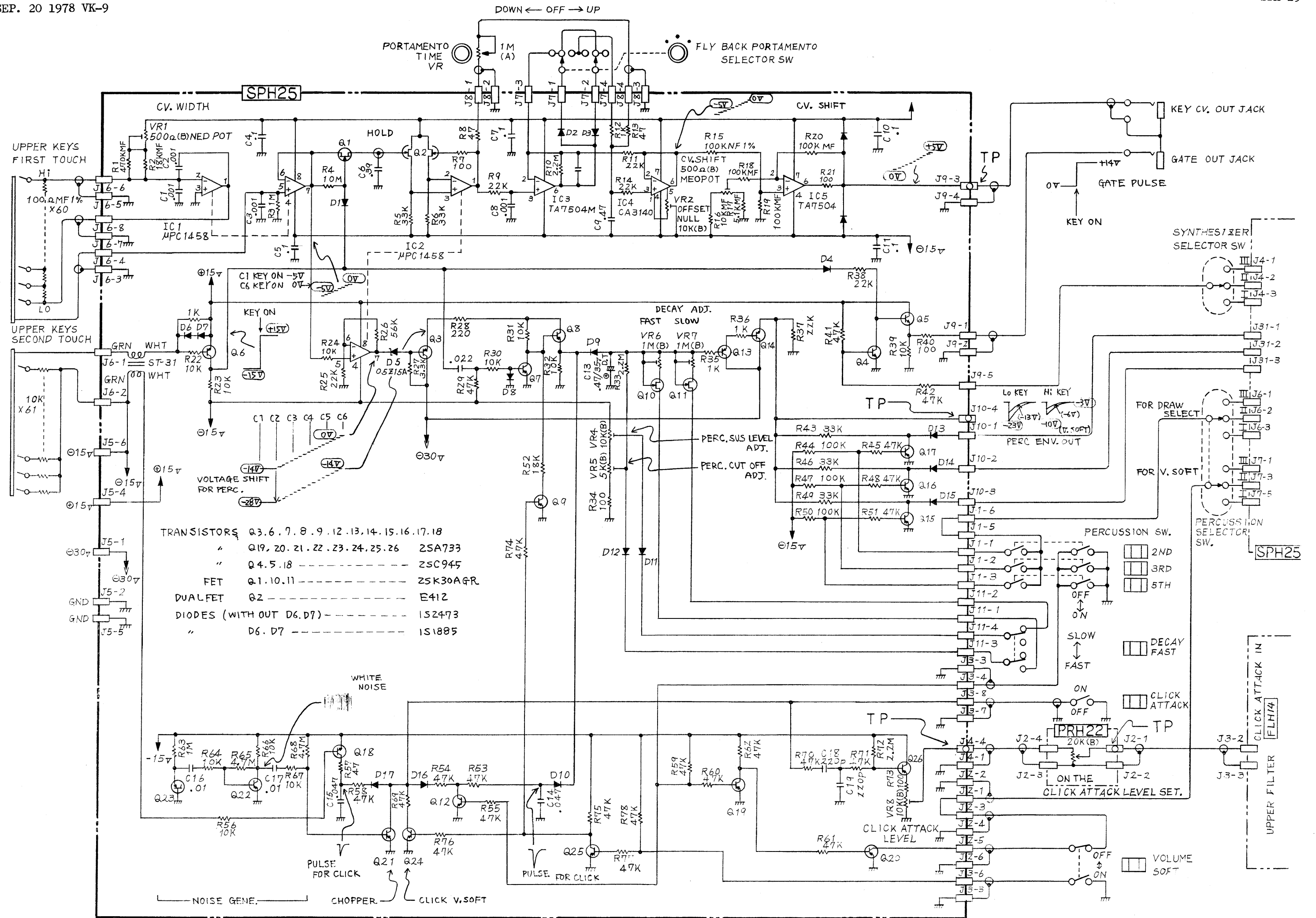




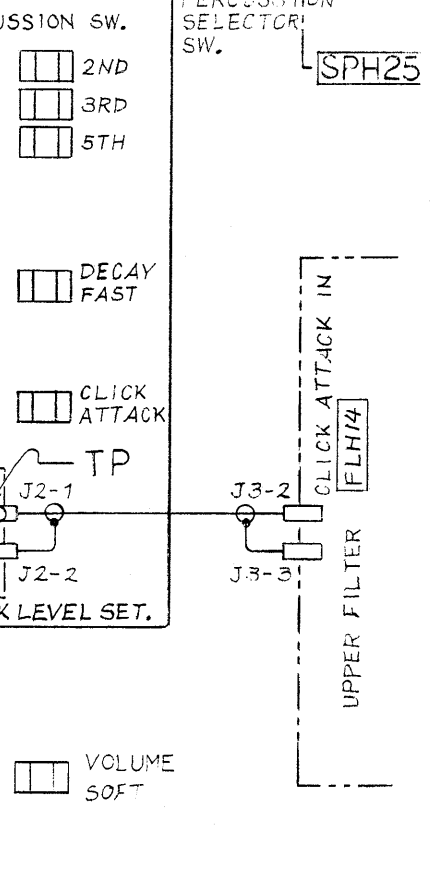
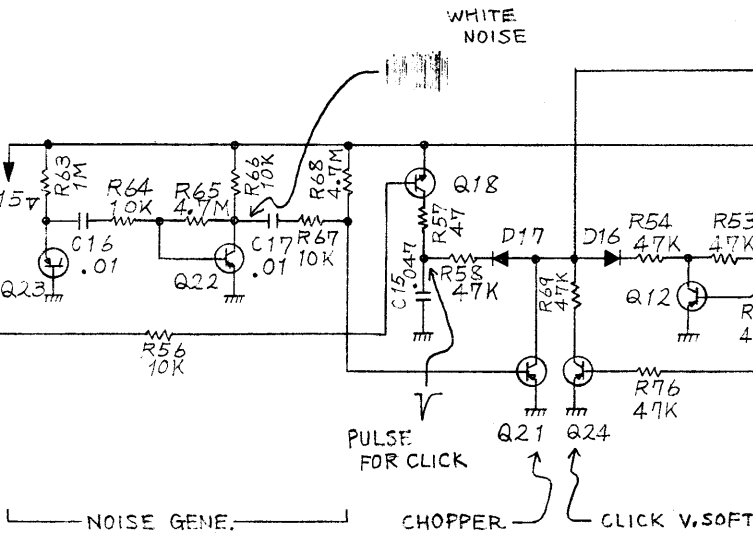
SYNTHESIZER PERCUSSION CONTROL SPH-25 (149H025)

PARTS ON THE FOIL SIDE

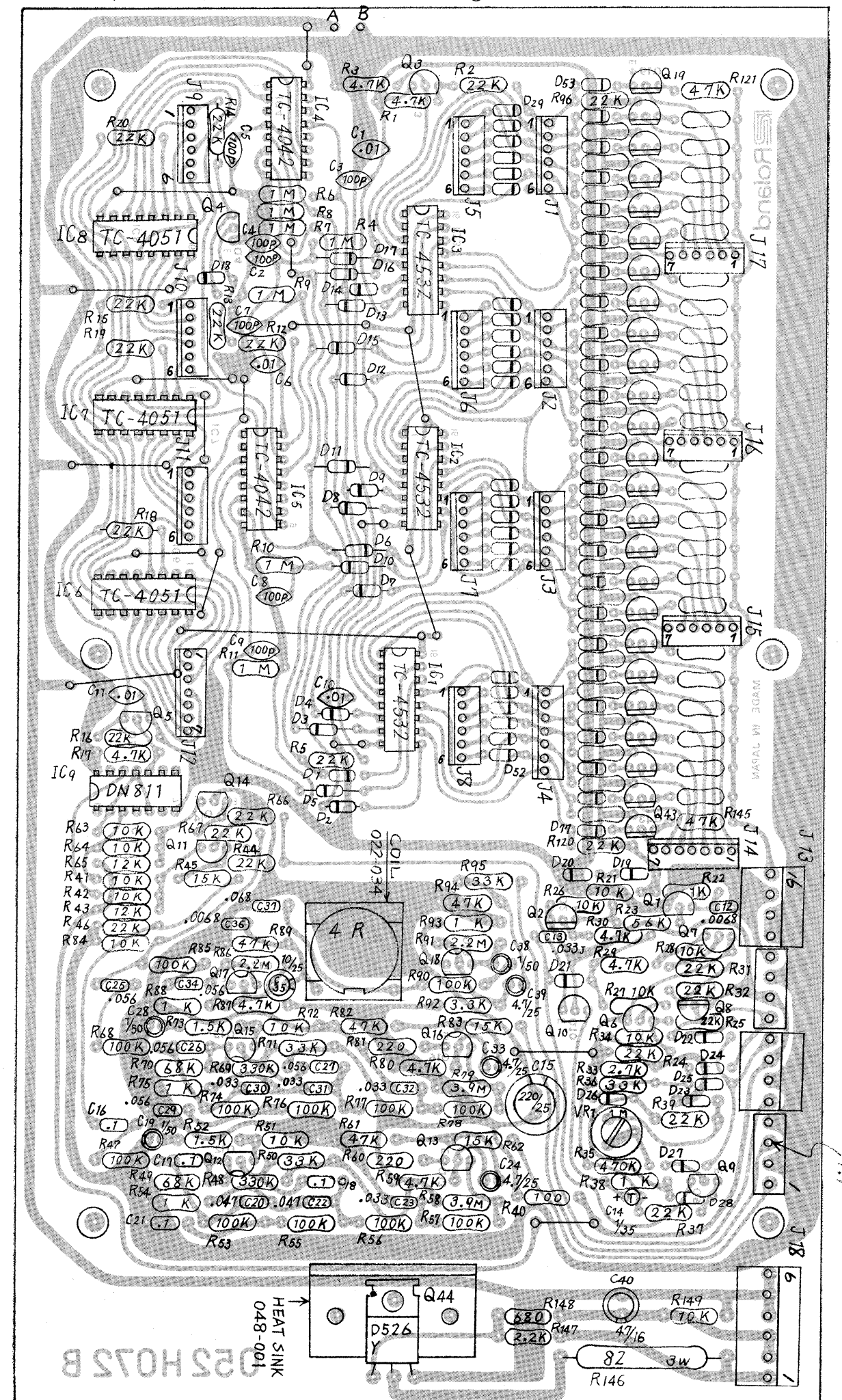
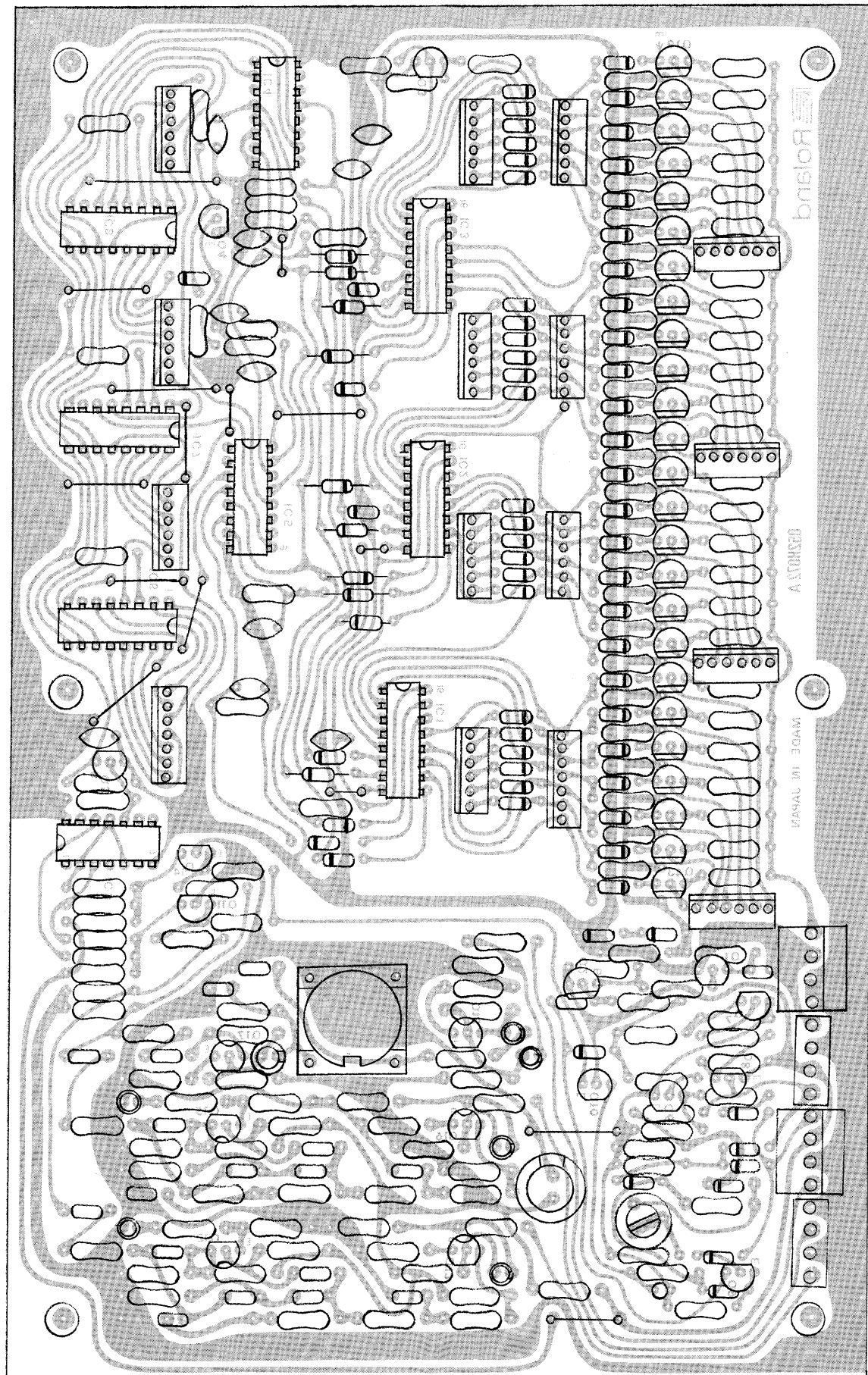


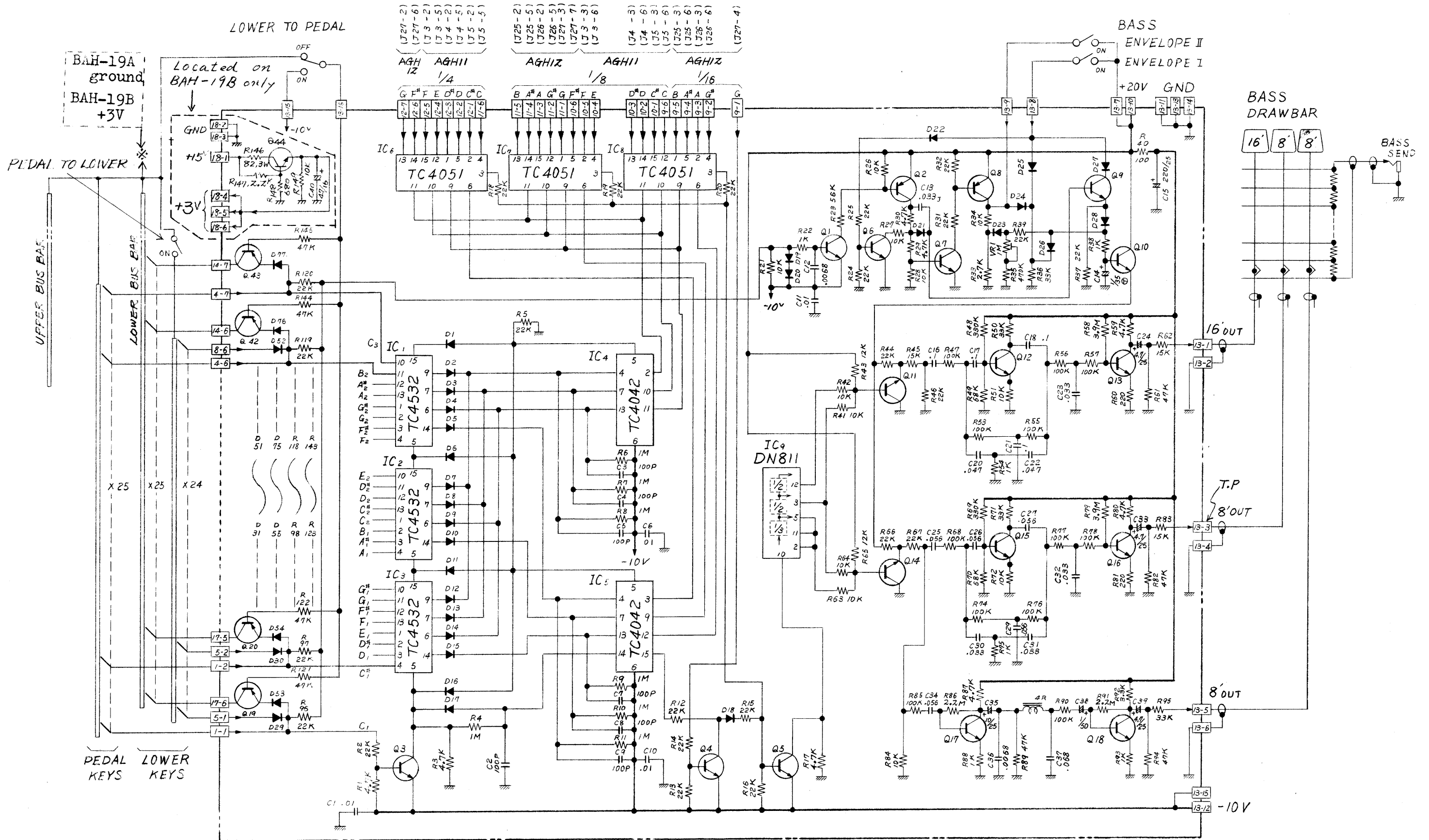


TRANSISTORS Q3.6.7.8.9.12.13.14.15.16.17.18
 " Q19.20.21.22.23.24.25.26 2SA733
 " Q4.5.18 ----- ZSC945
 FET Q1.10.11 ----- ZSK30AQR
 DUALFET Q2 ----- E412
 DIODES (WITH OUT D6.D7) ----- 1S2473
 " D6. D7 ----- 1S1885



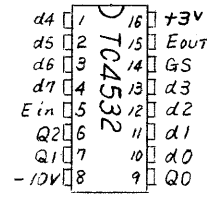
BASS BAH-19A (149H019A) Serial NO. up to 660131



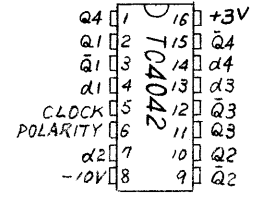


Transistor ; 2SA-733 Q 2 8, 19~43
 2SC-945 Q 1, 3, 4, 5, 6, 7, 9, 10, 11, 14
 2SC-1222 Q 12, 13, 15, 16, 17, 18
 ZSD-526 Q44

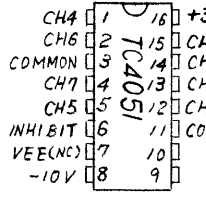
PRIORITY ENCODER



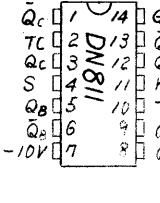
QUAD "D" LATCH



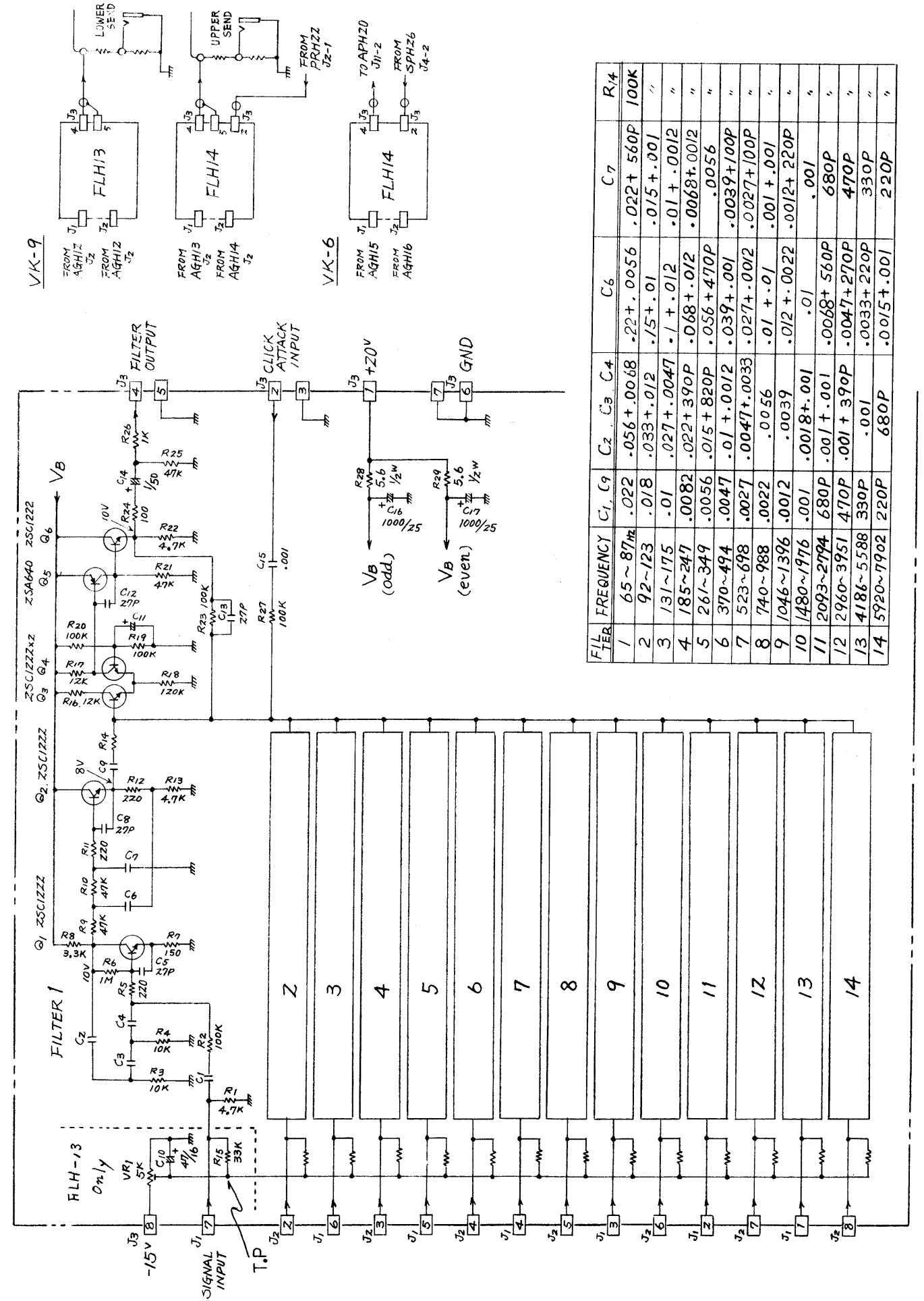
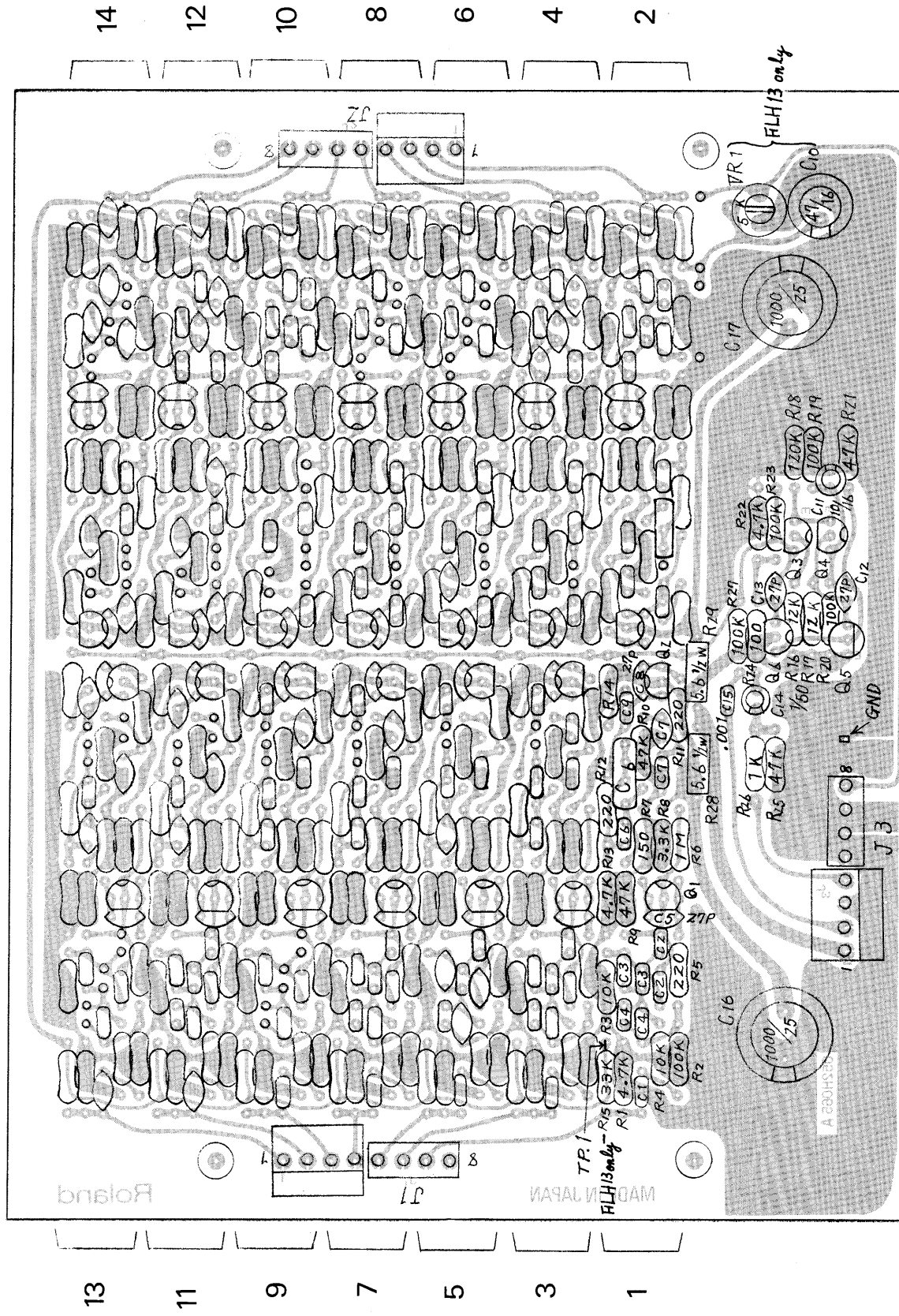
MULTIPLEXER



COUNTER

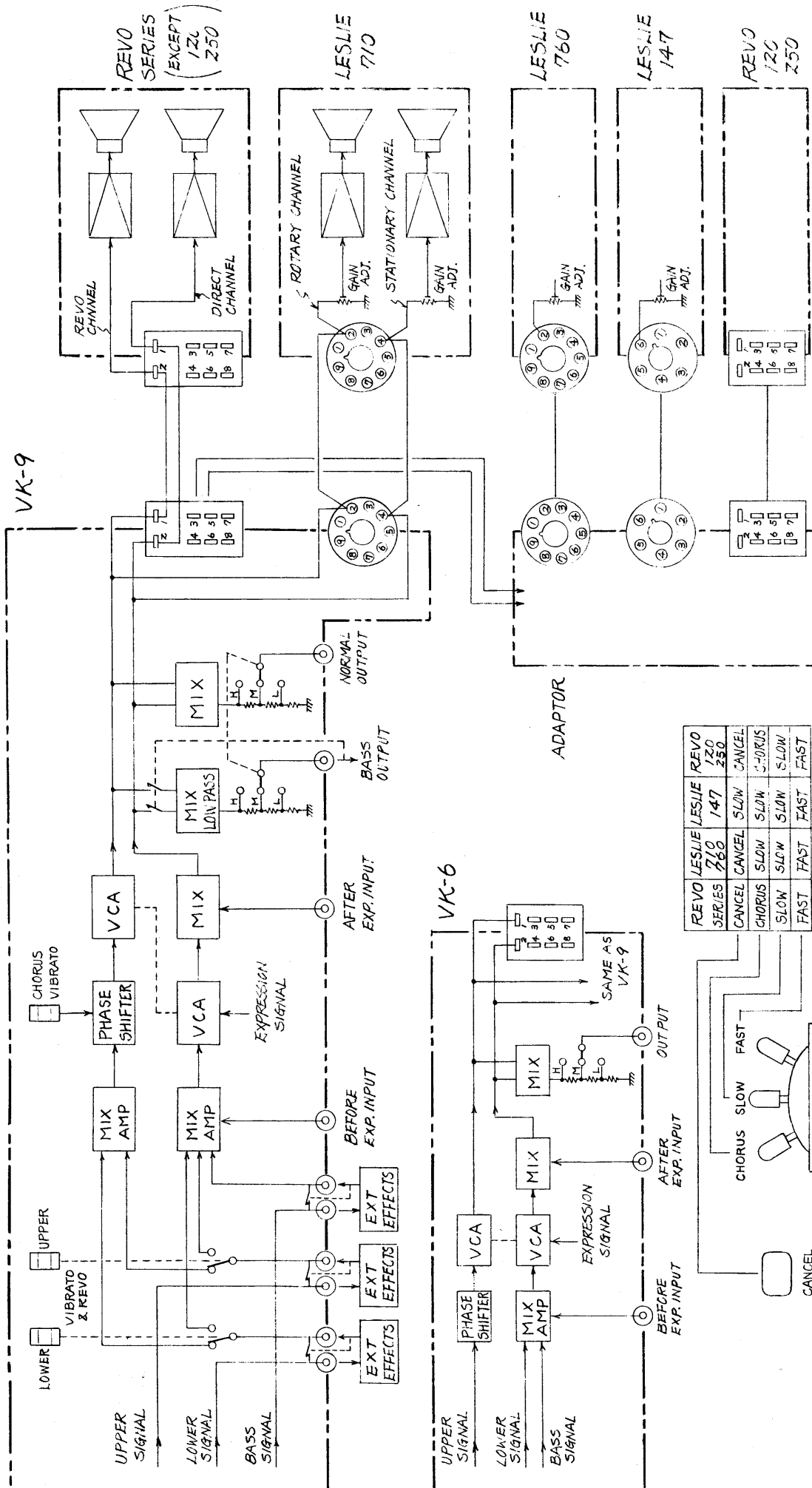


FILTER FLH-13 (145H013) FLH-14 (145H014)



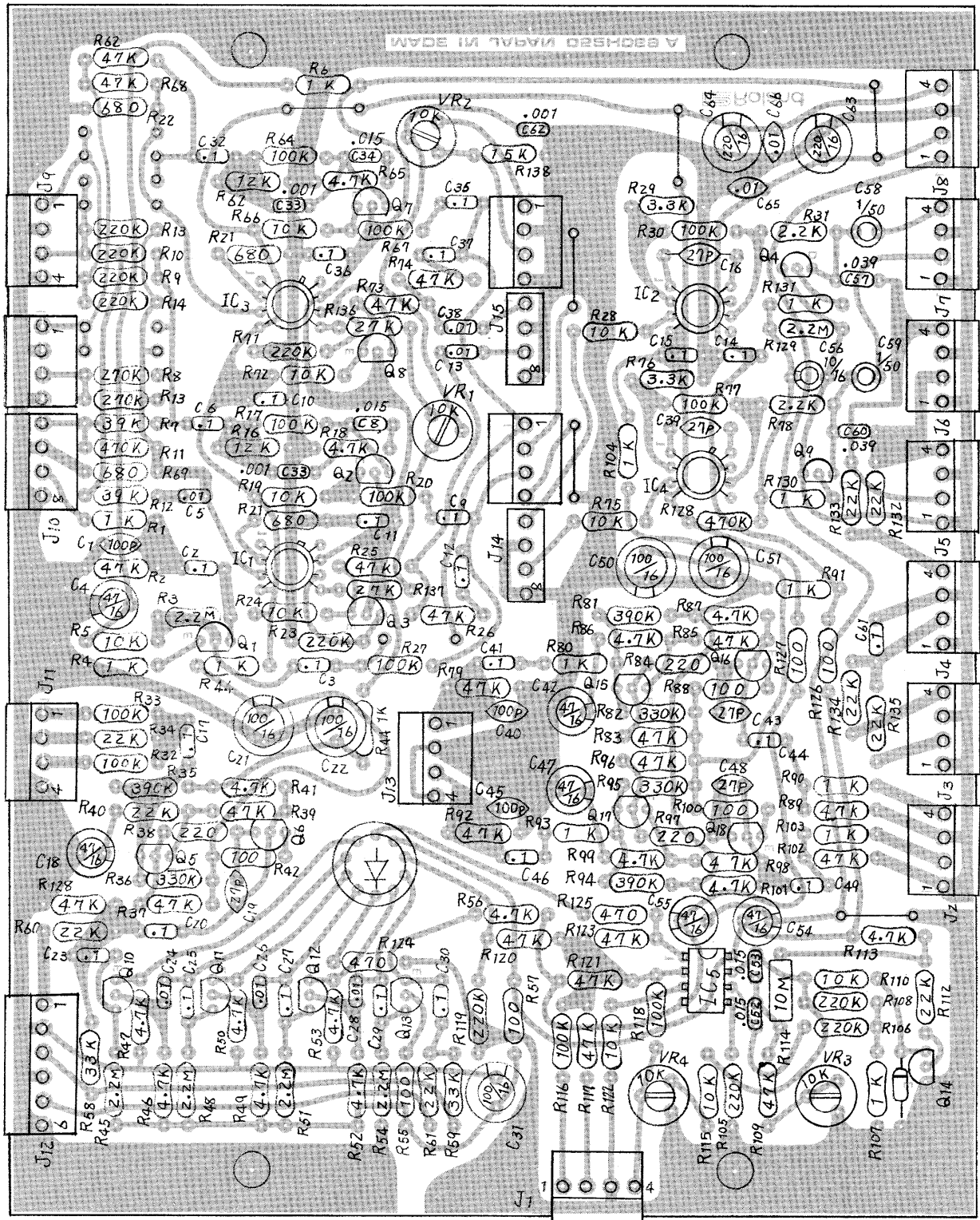
FILTER	FREQUENCY	C1, C9	C2, C3, C4	C6	C7	R4
1	65 ~ 87Hz	.022	-.056 + .0068	-.22 + .0056	.022 + 560P	100K
2	92 ~ 123	.018	.033 + .012	.15 + .01	-.015 + .001	"
3	131 ~ 175	.01	.027 + .0047	-.1 + .012	-.01 + .0012	"
4	185 ~ 247	.0082	.022 + 390P	-.068 + .012	-.0068 + .0012	"
5	261 ~ 349	.0056	.015 + 820P	-.056 + 470P	.0056	"
6	370 ~ 494	.0047	.01 + .0012	.039 + .001	-.0039 + .000P	"
7	523 ~ 698	.0027	.0047 + .0033	.027 + .0012	-.0027 + .000P	"
8	740 ~ 988	.0022	.0056	.01 + .01	-.001 + .001	"
9	1046 ~ 1396	.0012	.0039	.012 + .0022	-.0012 + .000P	"
10	1480 ~ 1976	.001	.0018 + .001	.01	.001	"
11	2093 ~ 2794	680P	-.001 + .001	-.0068 + 560P	680P	"
12	2960 ~ 3951	470P	.001 + 390P	-.0047 + 270P	470P	"
13	4186 ~ 5588	330P	-.001	-.0033 + 220P	330P	"
14	5720 ~ 7702	220P	680P	-.0015 + .001	220P	"

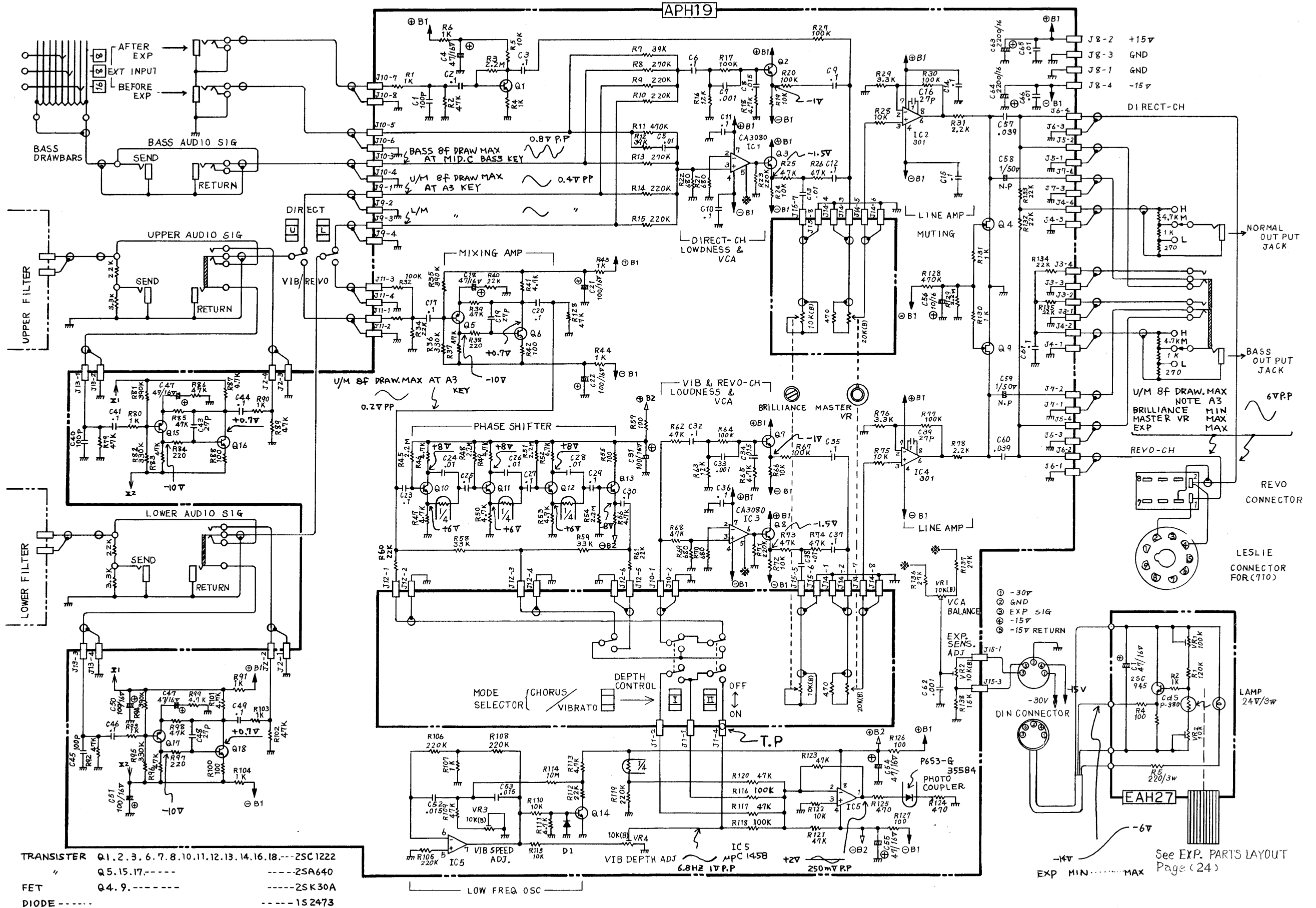
AUDIO SIGNAL FLOW CHART



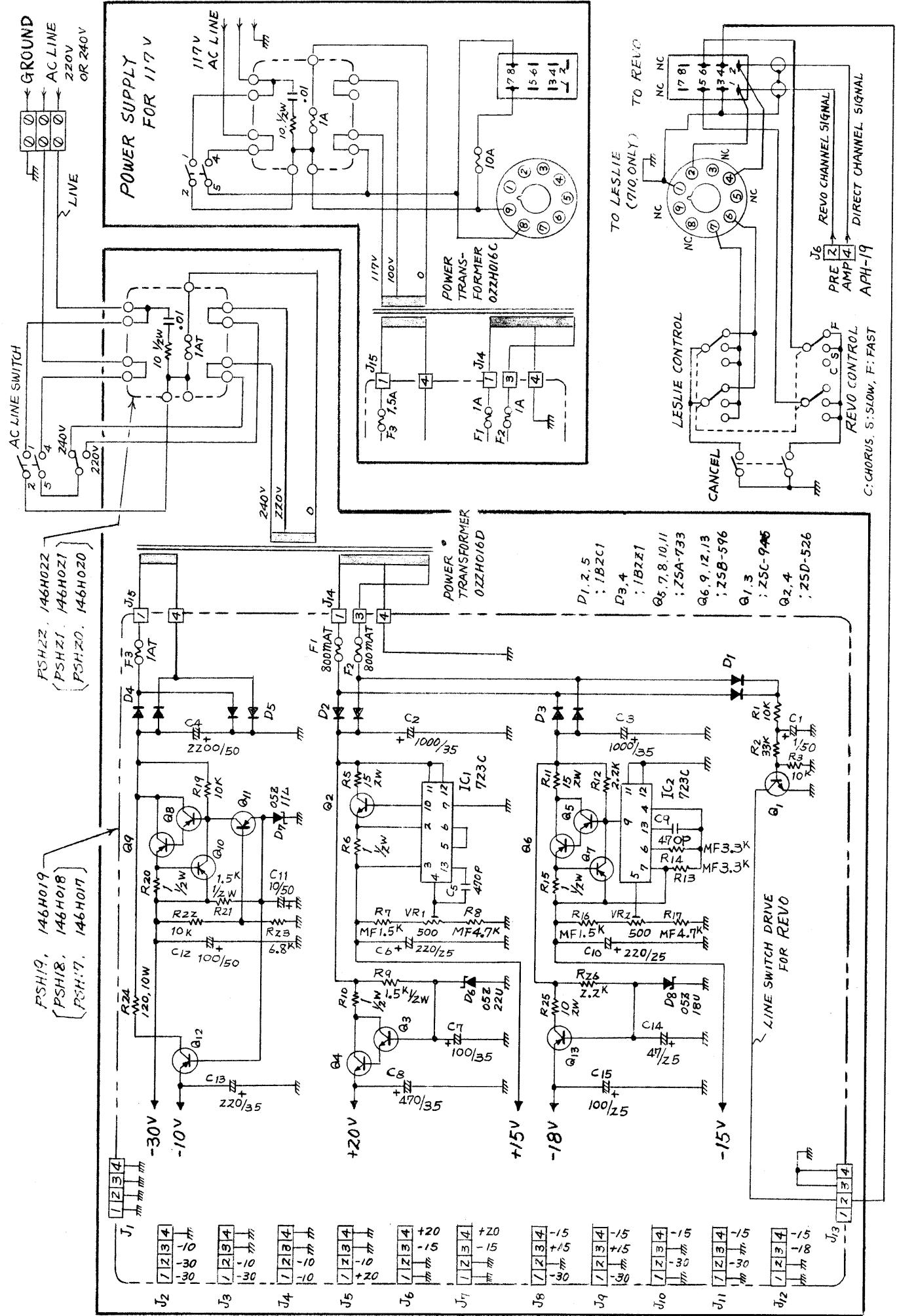
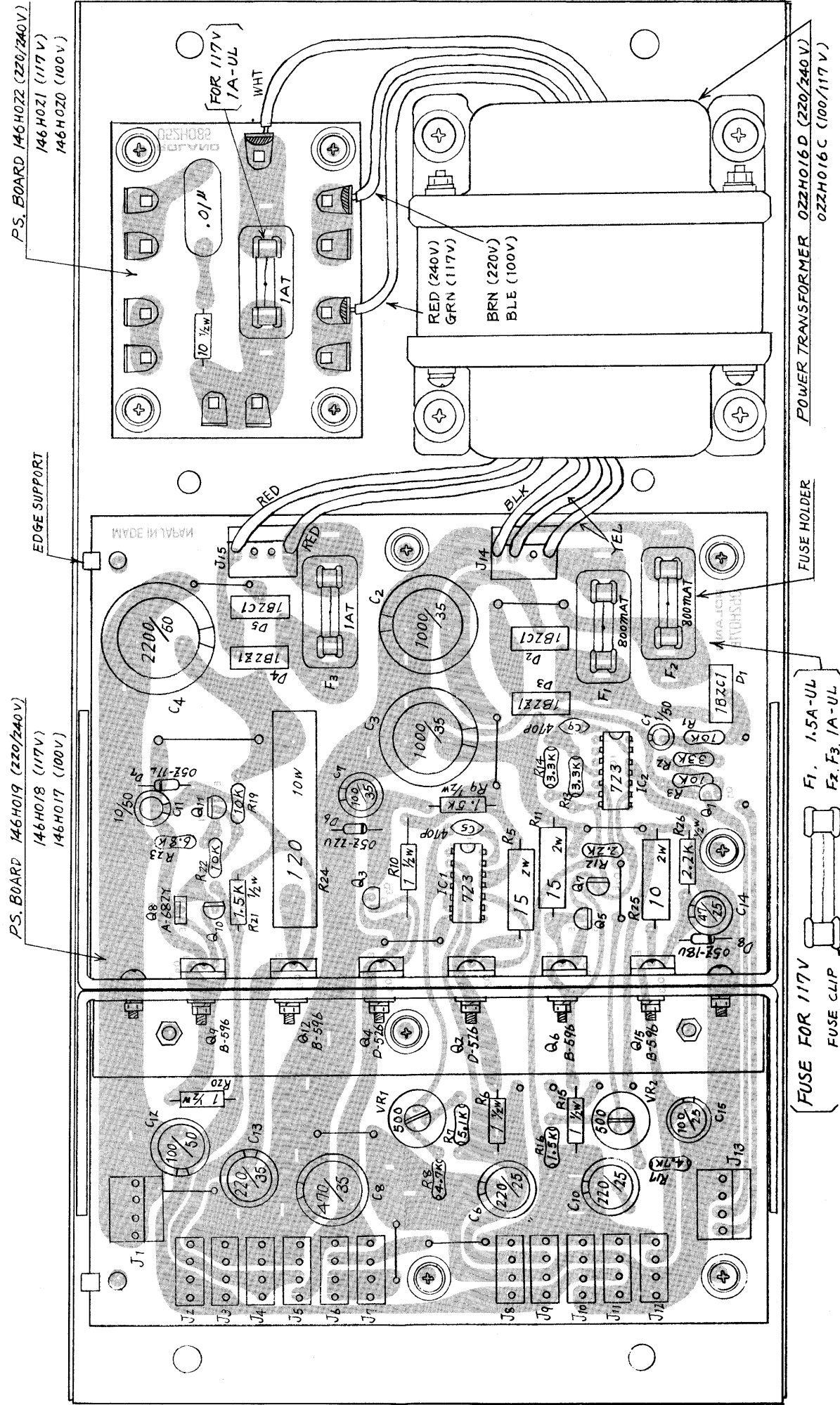
If the volume is insufficient when using Leslie speaker system, adjust GAIN ADJ of the Leslie system.

PREAMPLIFIER APH-19 (141H019)





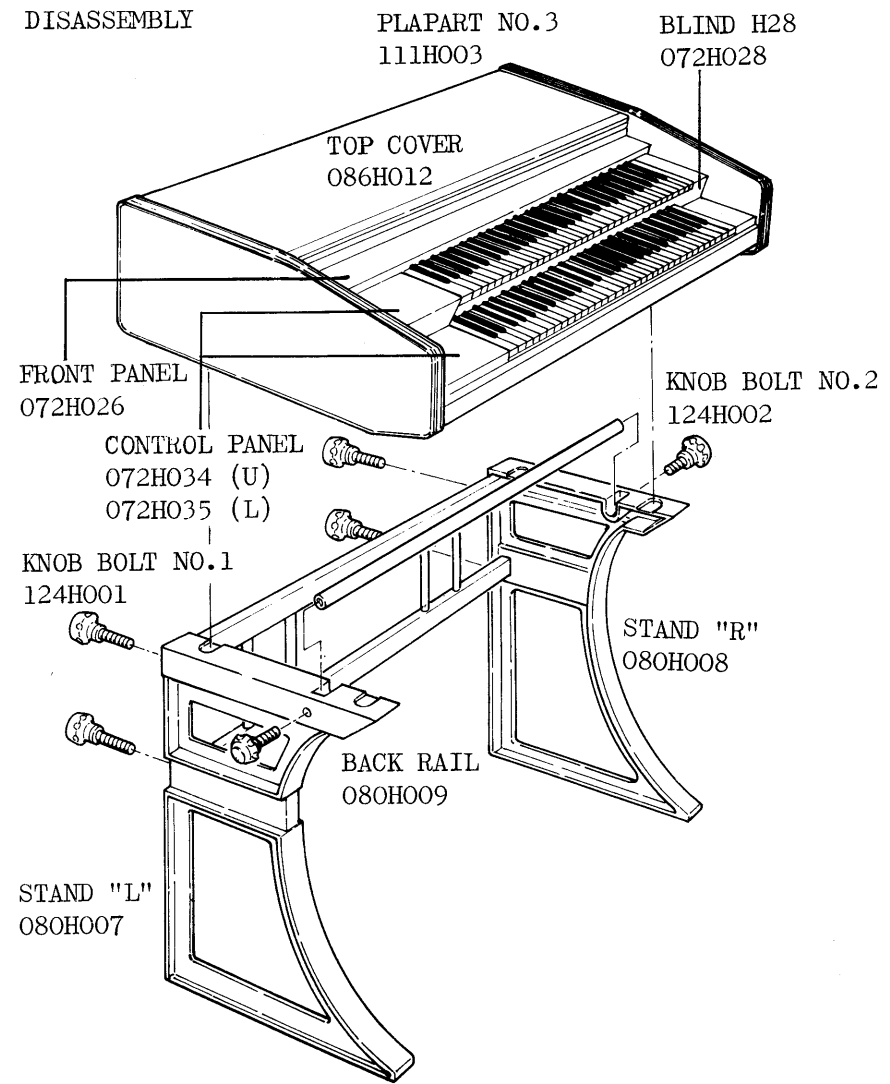
POWER SUPPLY



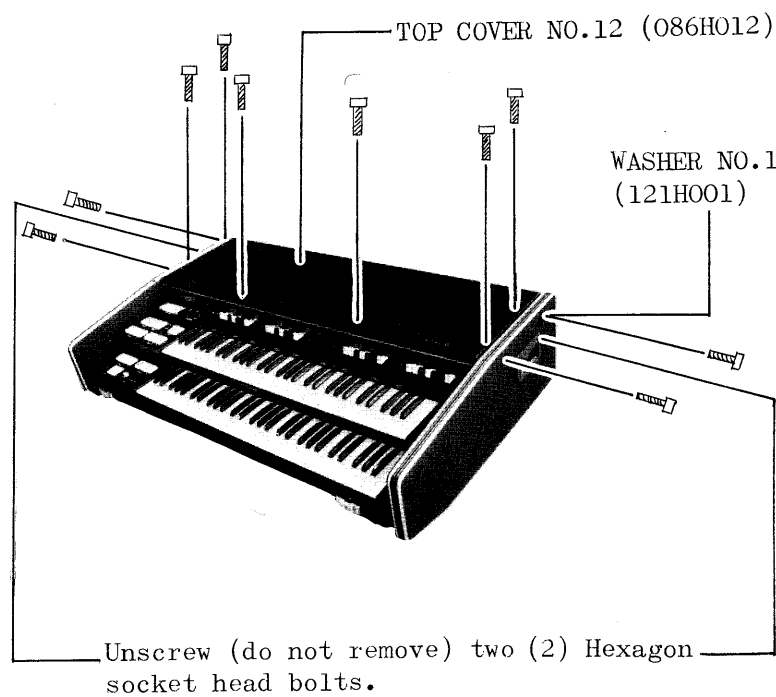
Note: For some 240V versions, AC is wired to Revo/Leslie socket.

SEP. 20 1978 VK-9

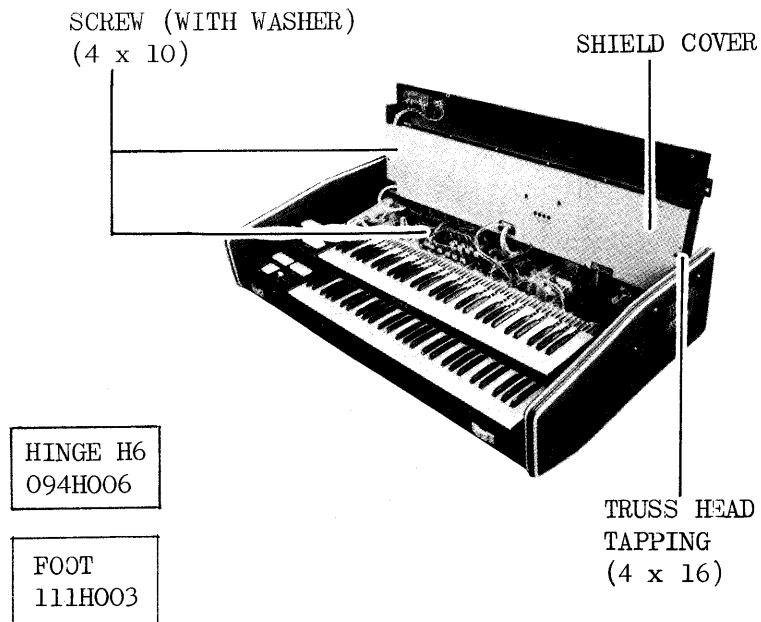
DISASSEMBLY



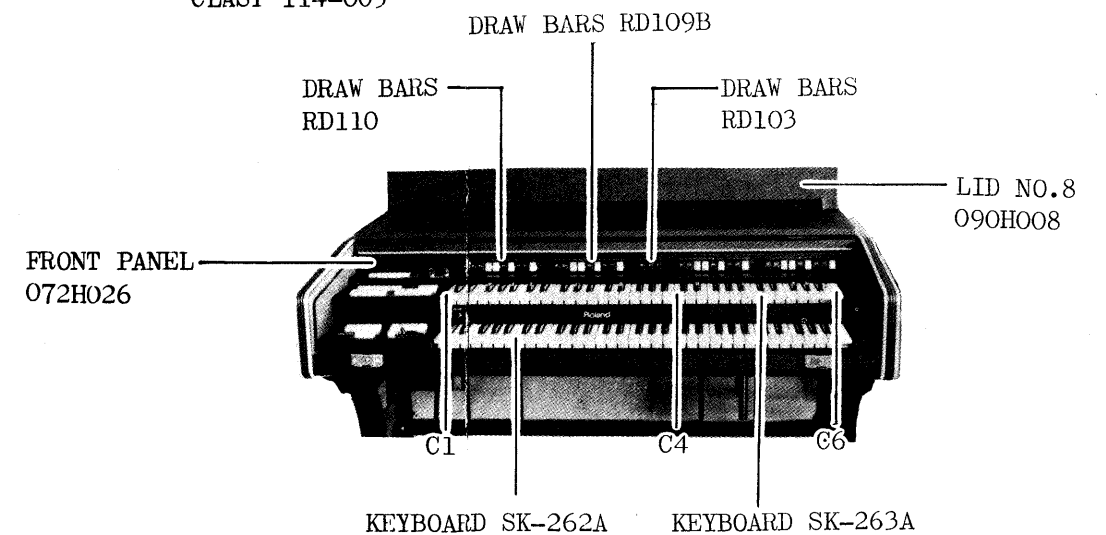
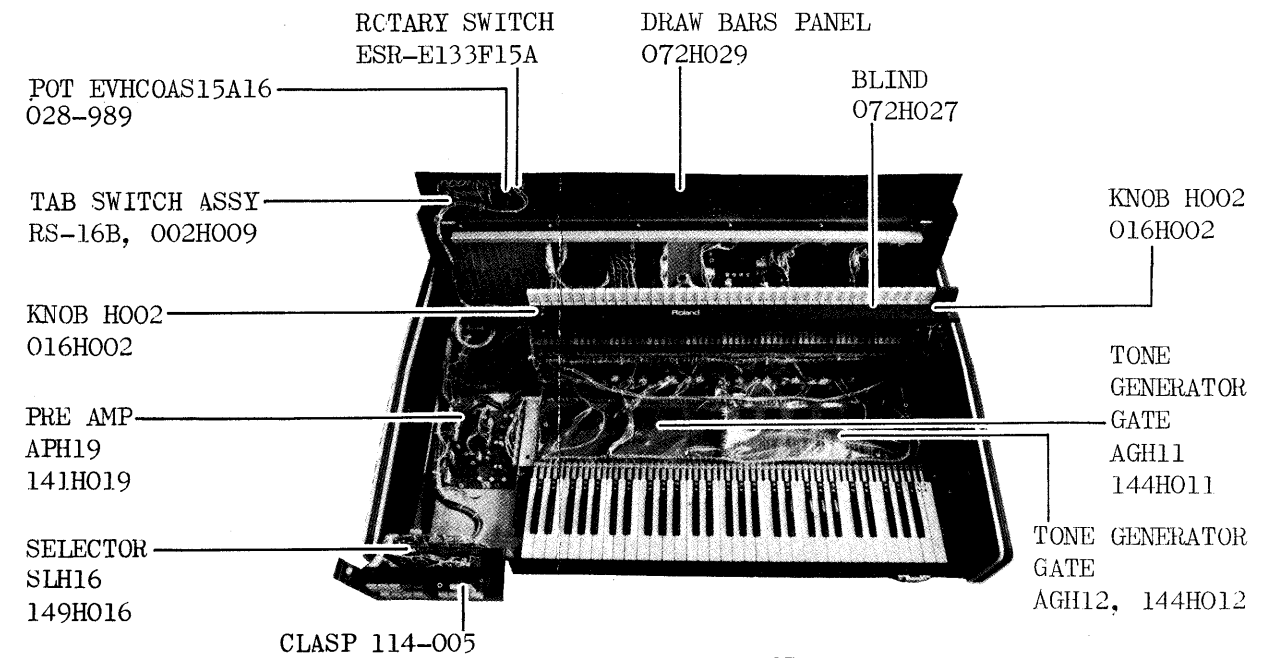
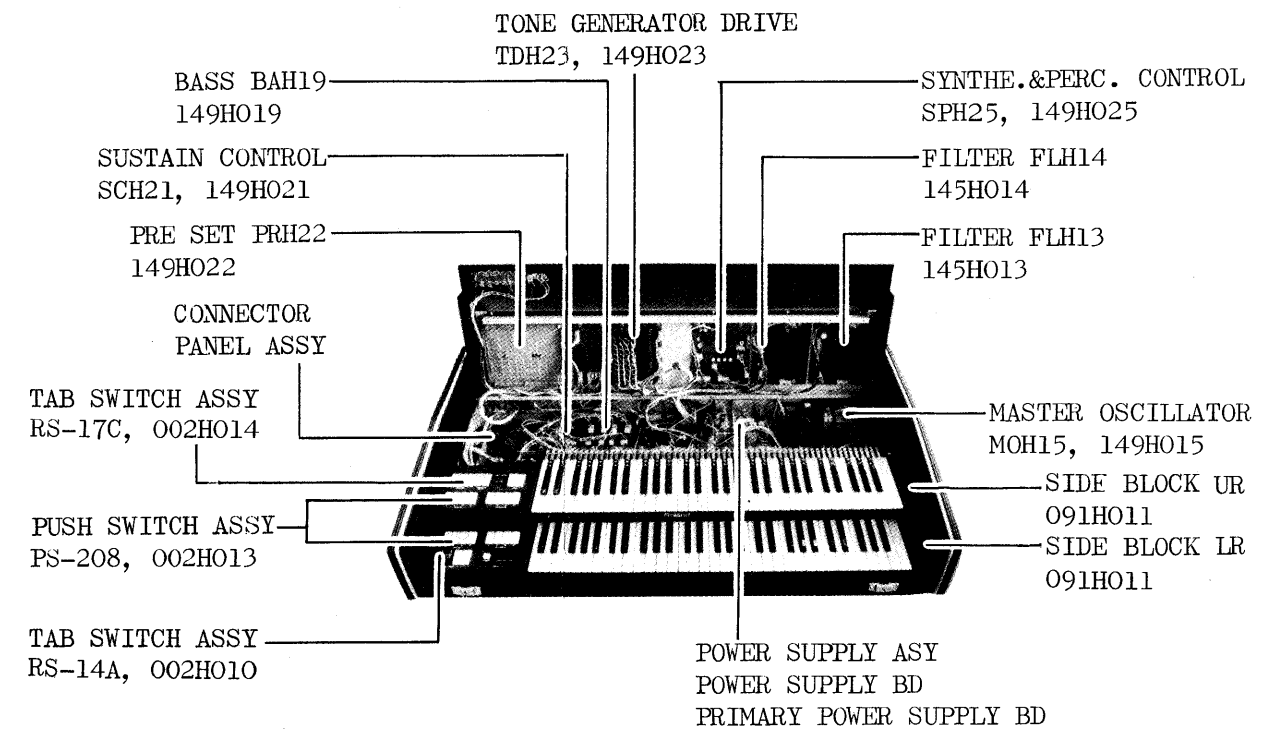
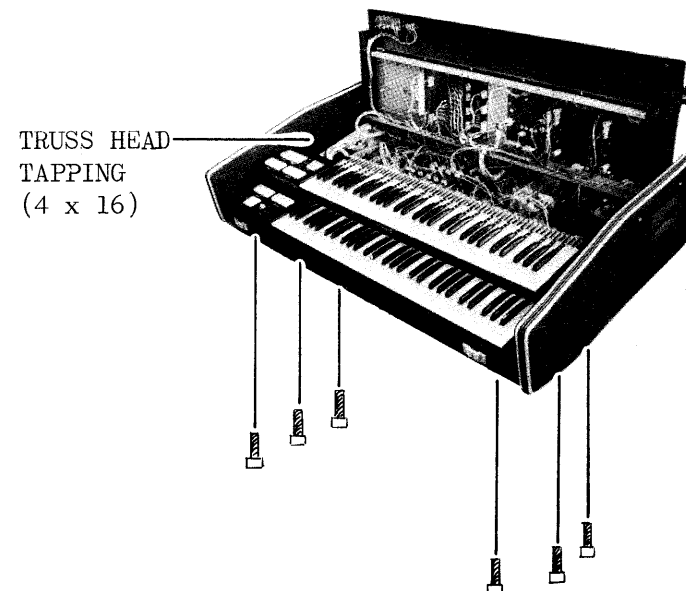
1. TO OPEN TOP COVER.
Remove ten (10) Hexagon socket head bolts.



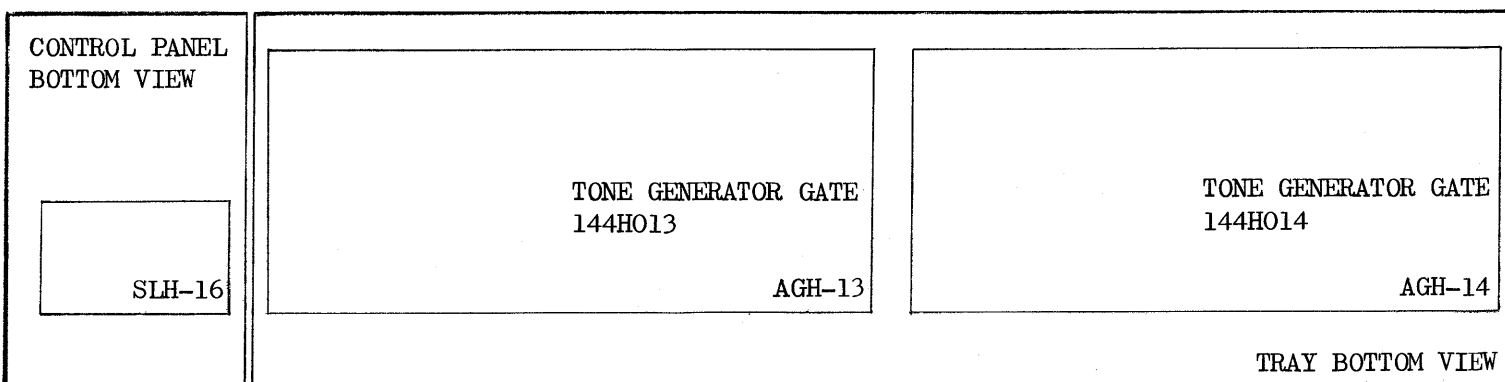
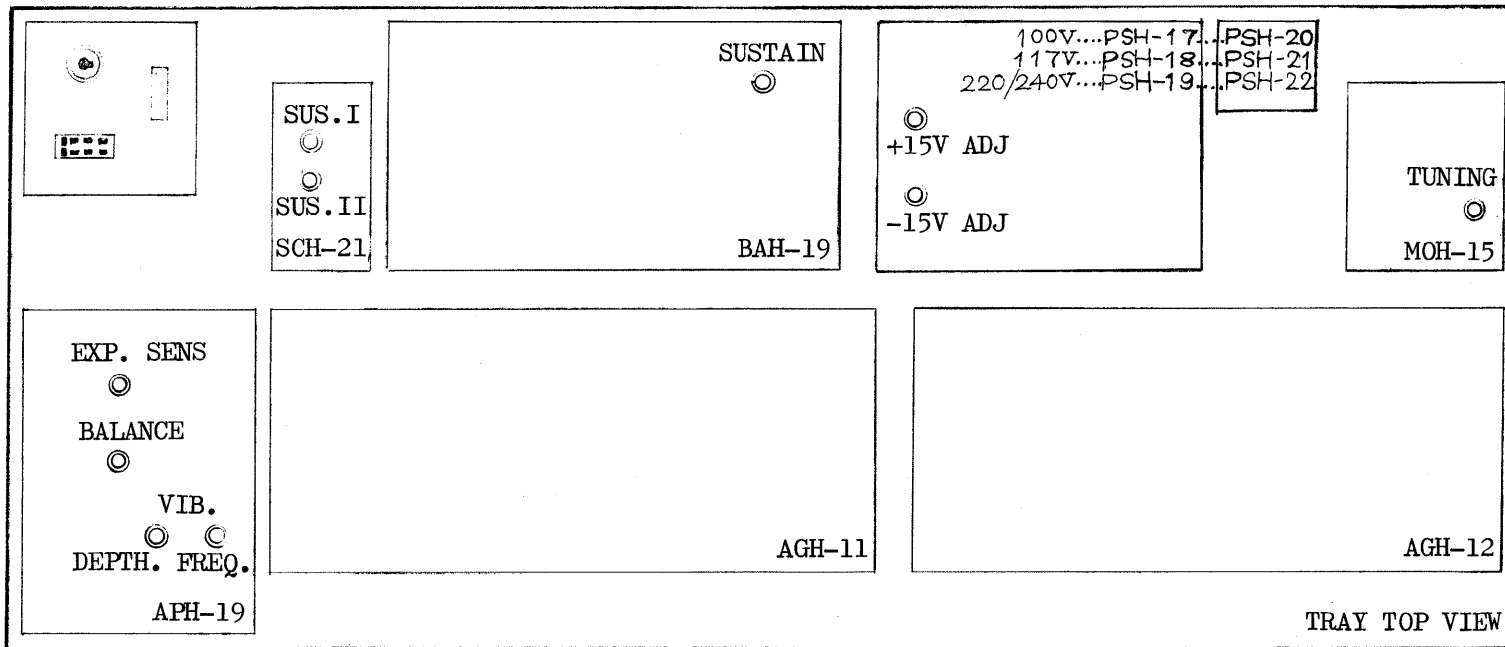
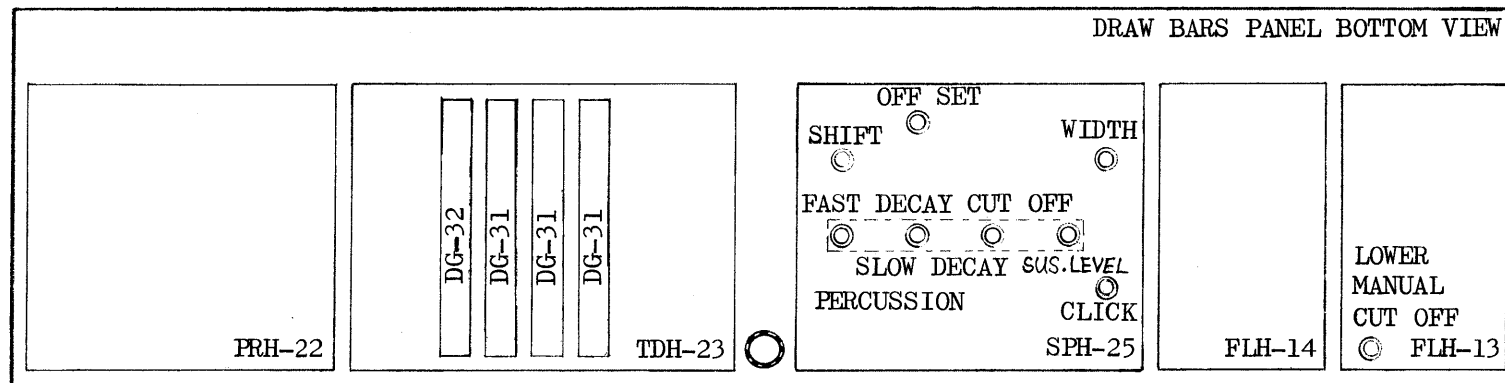
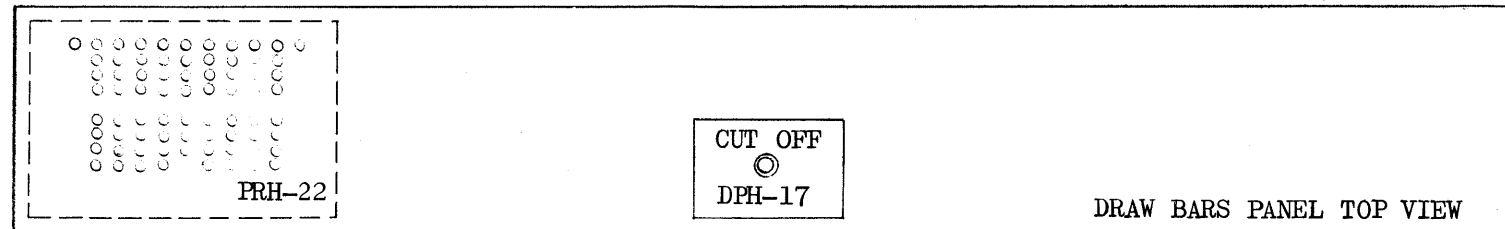
2. TO REMOVE SHIELD COVER.
Remove ten (10) screws (4 x 10 with washer) and two truss head tapping.



3. TO DISMOUNT UPPER MANUAL AND LOWER MANUAL.
Remove six (6) Hexagon socket head bolts.
Remove one (1) Truss head tapping.

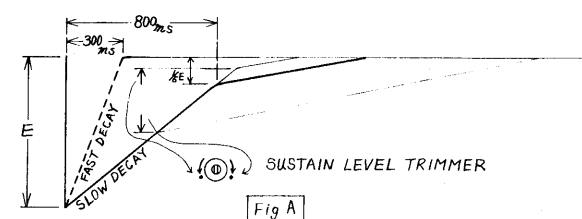


ELECTRICAL ADJUSTMENT

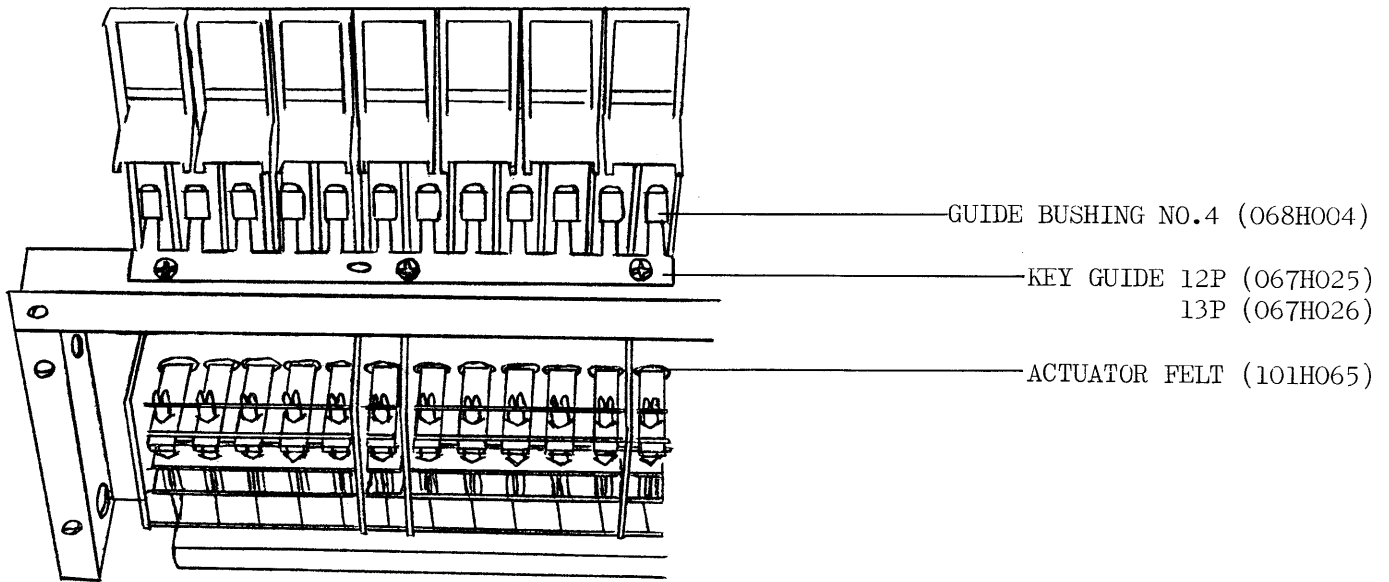


BOARD	ADJUSTMENT	POINT	SETTING	KEY PRESSED	SPEC.	
DRAW BAR POWER SUPPLY	DPH17	CUT OFF	3			
FILTER	FLH13	CUT OFF	T.P.1		-7.0V	
MASTER OSCILLATOR	MOH15	TUNING	TUNE CONTROL at center, UP/DR 8'	U/M A3	442Hz $\text{b} \left(\text{Ⓢ} \right) \#$	
PRE AMP	APH19	EXP. SENS.			MAX $\left(\text{Ⓢ} \right) \text{MAX}$	
		REVO CH-DIRECT CH VCA BALANCE	J4-4	UP/DR8' MAX, UP TAB(REVO&VIB) ON/OFF	Adjust for equal levels. $\text{REVO CH} \left(\text{Ⓢ} \right) \text{DIRECT CH}$	
		VIB.DEPTH	J1-4		1V P-P $\text{MIN} \left(\text{Ⓢ} \right) \text{MAX}$	
		VIB.SPEED			6.8Hz $\text{SLOW} \left(\text{Ⓢ} \right) \text{FAST}$	
BASS	BAH19	BASS SUSTAIN TIME	J13-3	ANY KEY	1.2sec $\text{SHORT} \left(\text{Ⓢ} \right) \text{LONG}$	
SUSTAIN CONTROL	SCH21	U/M SUSTAIN I	J1-4	PRE SET I SUSTAIN I	$\leq 8\mu\text{s}$ $\text{SHORT} \left(\text{Ⓢ} \right) \text{LONG}$	
		U/M SUSTAIN II	J1-4	PRE SET I SUSTAIN II	$200\mu\text{s}$ $\text{SHORT} \left(\text{Ⓢ} \right) \text{LONG}$	
SYNTHE. PERCUSSION CONTROL	SPH25	OFF SET	J9-3	SYNTHE.	U/M KEY C4	Constant voltage with Flyback - up-off-down.
		SHIFT			U/M KEY C6	5V ($\pm 1\text{mV}$)
		WIDTH			U/M KEY C1	0V ($\pm 1\text{mV}$)
		CUT OFF	J10-4	PERC. 2ND, UP. DRAW BARS TAB, (UP DRAW BARS ALL OFF)	U/M KEY C2	C2 is about to sound.
		FAST DECAY TIME			The above plus DECAY FAST - on.	300ms $\text{FAST} \left(\text{Ⓢ} \right) \text{SLOW}$
		SLOW DECAY TIME			The above plus DECAY FAST - off.	800ms $\text{FAST} \left(\text{Ⓢ} \right) \text{SLOW}$
SUSTAIN LEVEL				1/6E See Fig. A		
CLICK ATTACK LEVEL	J4-4	CLICK ATTACK, BRILLIANCE POT-ENTIOMETER at minimum.	ANY U/M KEY	$1V$ $\text{LOUD} \left(\text{Ⓢ} \right)$		
CLICK ATTACK LEVEL	J2-1			$0.5V$ $\text{LOUD} \left(\text{Ⓢ} \right)$		

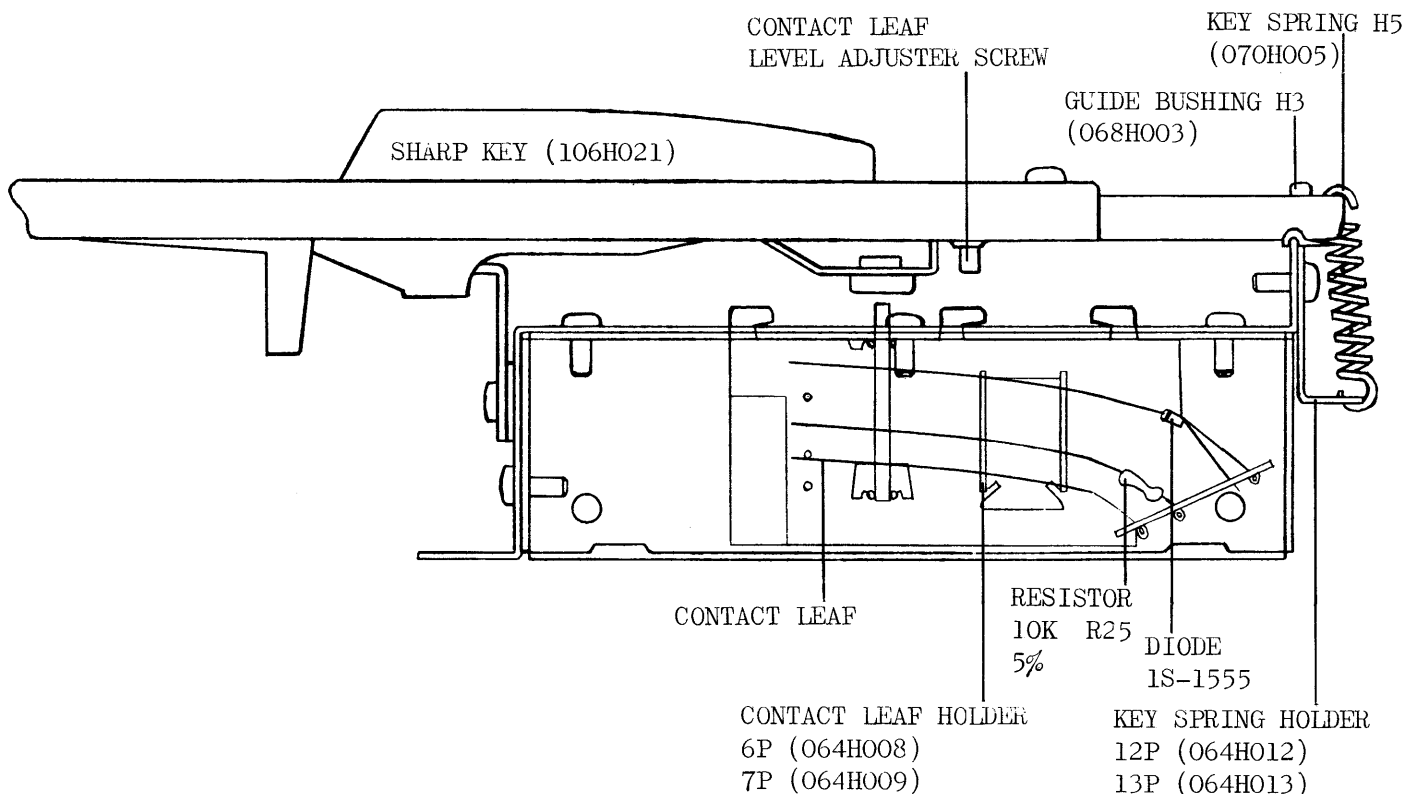
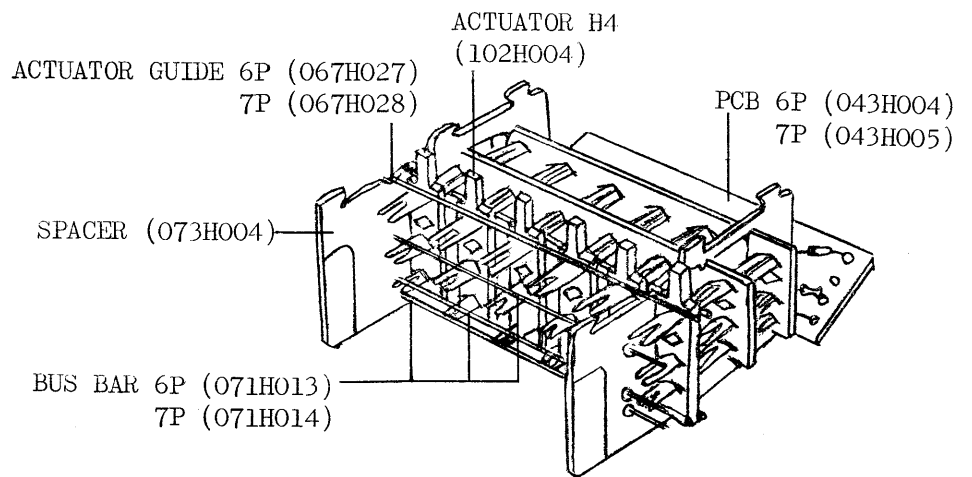
PERCUSSION ENVELOPE



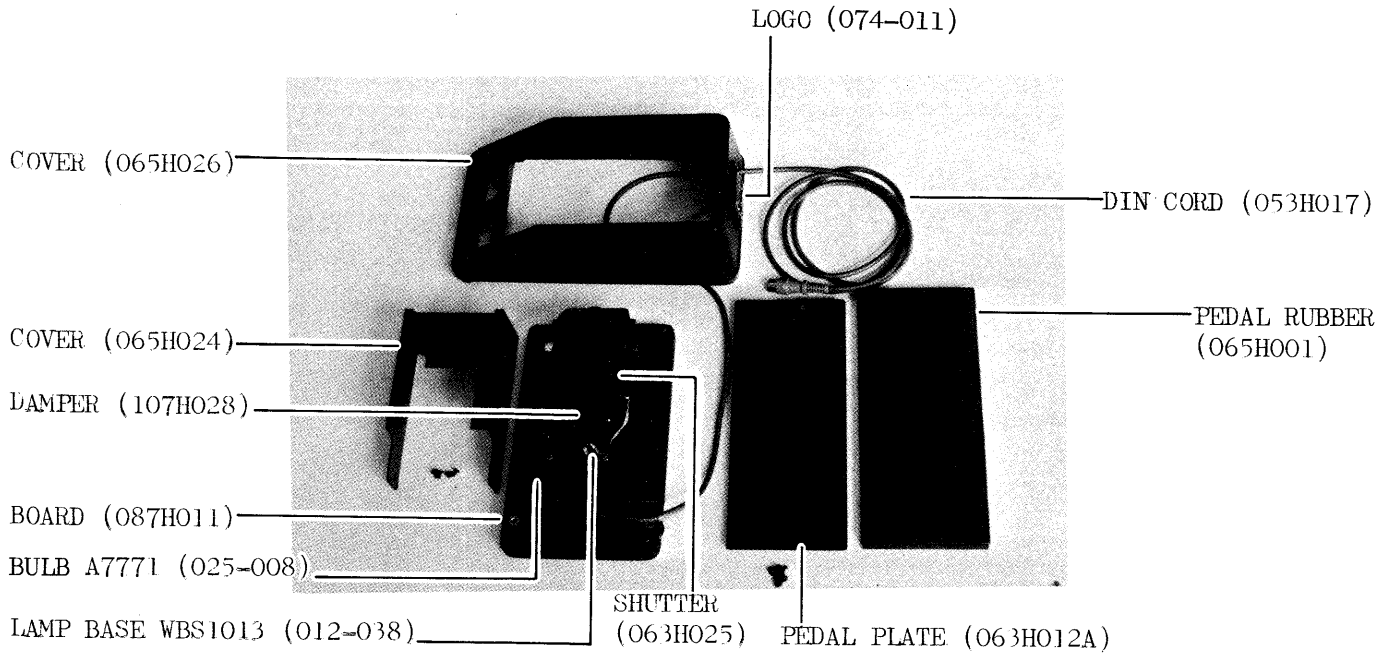
KEYBOARD PARTS



NATURAL KEY	
F	106H016
G	106H017
A	106H018
B	106H019
C	106H013
D	106H014
E	106H015
C'	106H020

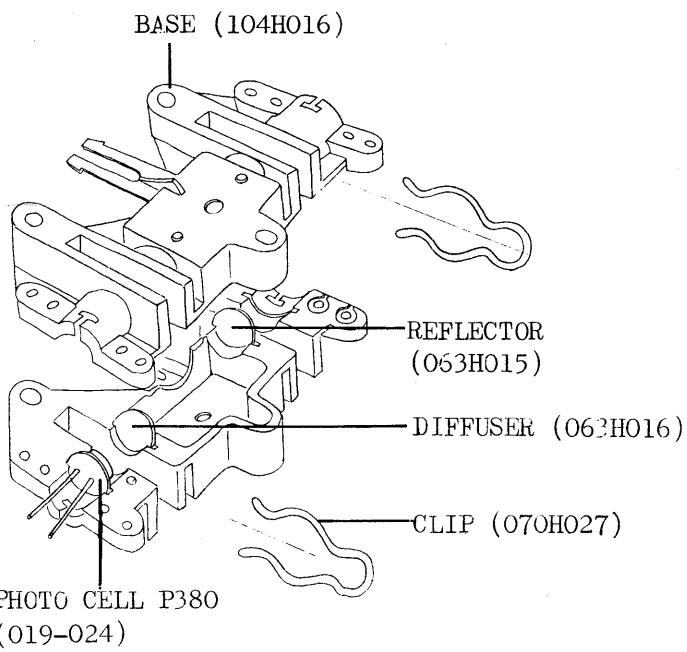
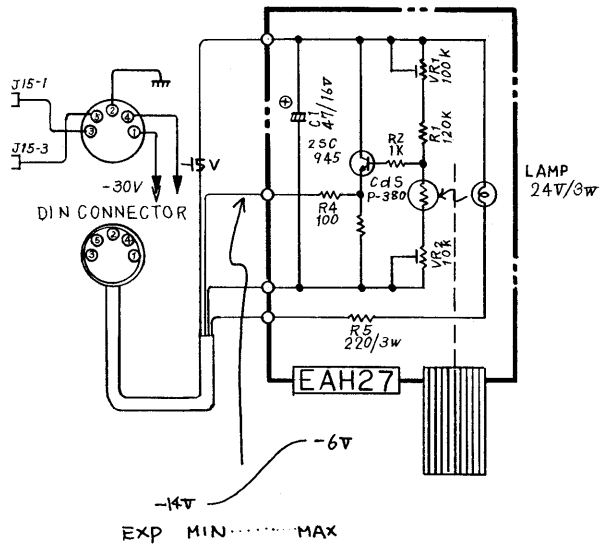
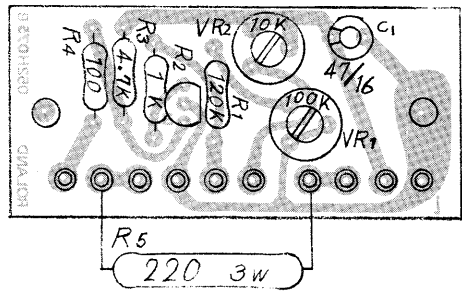


EXPRESSION PEDAL VKE-1

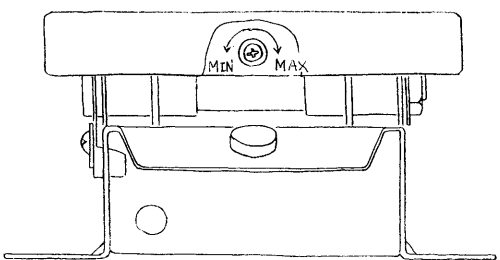


*SPARE BULB SERIAL NO. 690182 (VKE-1)
680174 (VKE-9) AND SUBSEQUENT.

PCB EAH-27 (149H027)

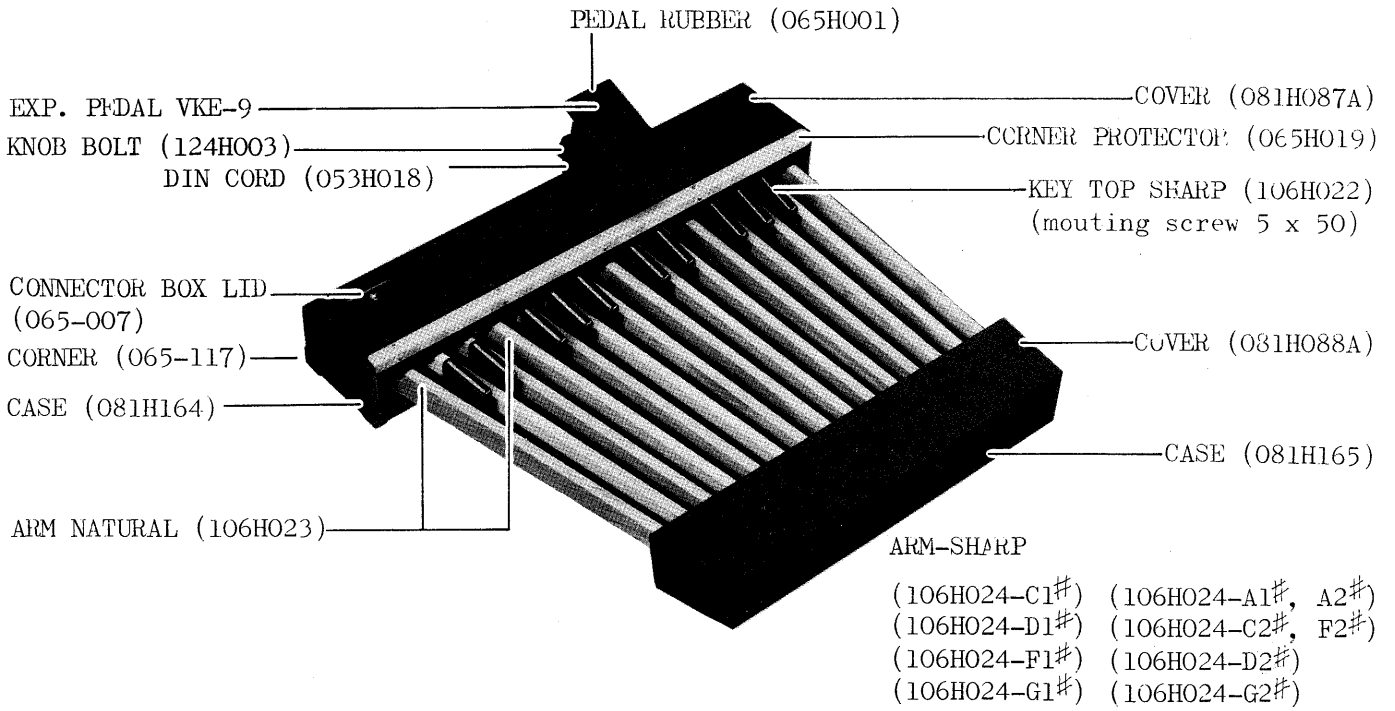


BRAKE ADJUSTOR SCREW.

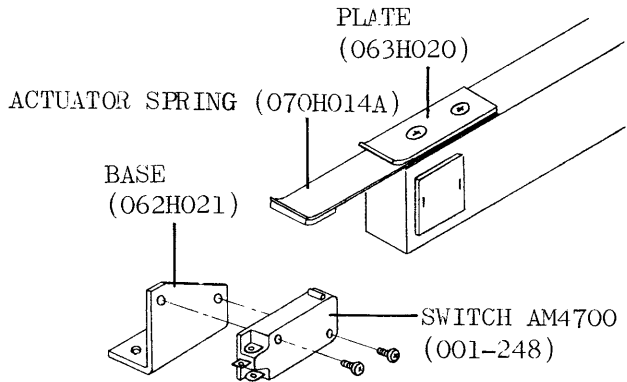
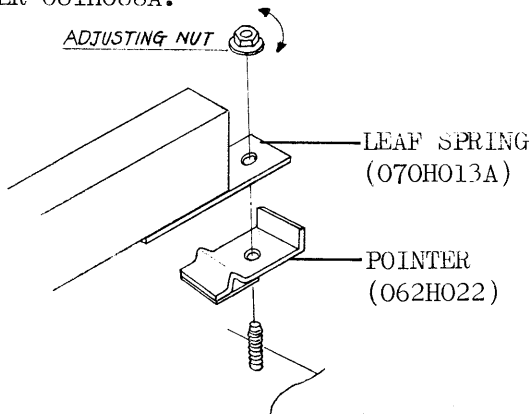


2ND VERSION
S/N 640120 AND HIGHER.

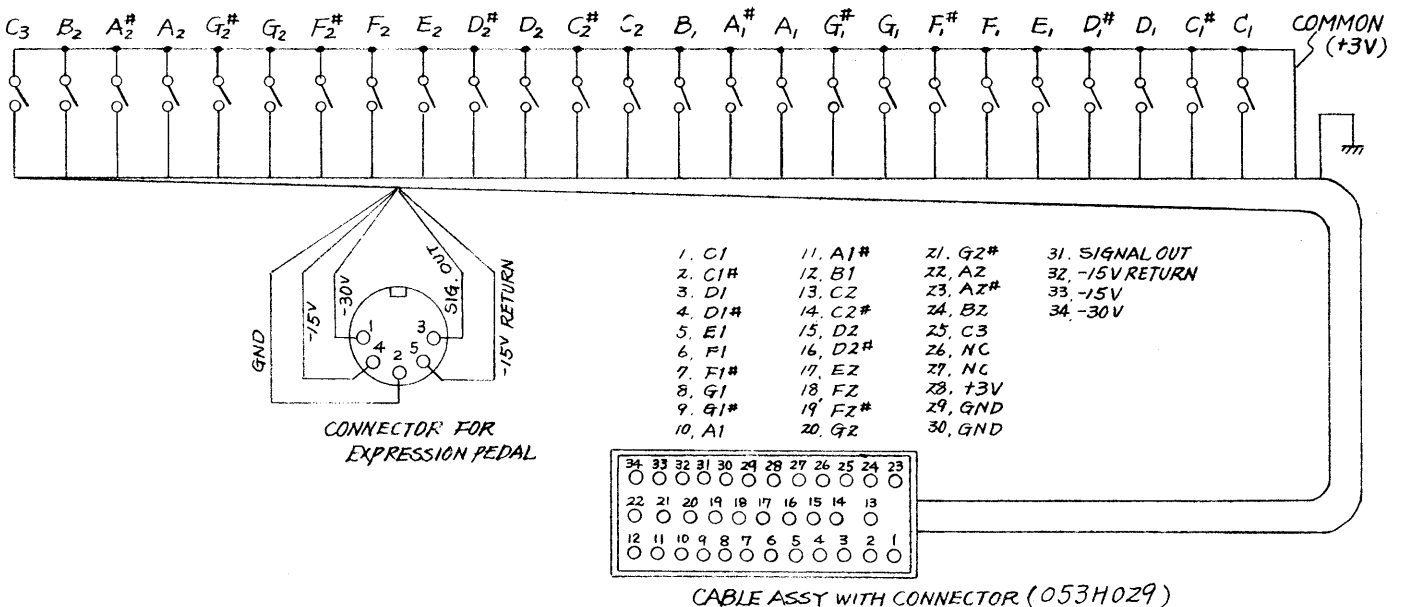
VKP-9 VKE-9



TO ADJUST SPRING ELASTICITY REMOVE THE COVER 081H088A.



SCHMATIC DIAGRAM



The parts list that follows includes parts used for VK-6 and VK-9.

(VK-6) parts used for VK-6 only.

(VK-9) parts used for VK-9 only.

Other parts are used commonly for both VK-6 and VK-9.

PART NO.	PART AND DESCRIPTION	PART NO.	PART AND DESCRIPTION
	PCB ASSY	018-052	Zener 05Z-11L
144HO15	AGH15 (052HO55) (VK-6)	018-024	Zener 05Z-15
144HO16	AGH16 (052HO56) (VK-6)	018-083	Zener 05Z-18U (VK-9)
141HO20A	APH20A (052HO69A) (VK-6)	018-084	Zener 05Z-22U
149HO20B	BAH20B (052HO72B) (VK-6)	019-025	LED SR103D (VK-6)
149HO24C	TDH24C (052HO84C) (VK-6)	019-009	LED LRO601R (VK-9)
149HO26B	SPH26B (052HO64B) (VK-6)	019-024	Cds cell P380 (VKE-1/9)
146HO23B	PSH23B (100V) (052HO71B) (VK-6)	019-026	Photo coupler P653G35584
146HO24B	PSH24B (117V) (052HO71B) (VK-6)	020-031	IC 723C
146HO25B	PSH25P (220/240V) (052HO71B) (VK-6)	020-015	IC CA3080
146HO20	PSH20 (100V) (052HO85)	020-024	IC 301A
146HO21	PSH21 (117V) (052HO85)	020-062	IC μ PC-1458
146HO22	PSH22 (220/240V) (052HO85)	020-010	IC TA7504M
149HO15	MOH15 (052HO73)	020-105	IC CA3140
145HO14A	FLH14A (052HO65A)	020-007	IC LM3216
145HO13A	FLH13A (052HO65A) (VK-9)	020-155	IC BA643
144HO11	AGH11 (052HO55) (VK-9)	020-156	IC AY30214
144HO12	AGH12 (052HO56) (VK-9)	020-075	IC TC4049
144HO13	AGH13 (052HO57) (VK-9)	020-040	IC TC4011
144HO14	AGH14 (052HO58) (VK-9)	020-157	IC TC4532
149HO16	SLH16 (052HO70) (VK-9)	020-158	IC TC4042
149HO17	DPH17 (052HO66) (VK-9)	020-090	IC TC4051
149HO19B	BAH19B (052HO72B) (VK-9)	020-006	IC DN811
149HO21	SCH21 (052HO67) (VK-9)	020-159	IC LB1500 (VK-9)
149HO22	PRH22 (052HO61) (VK-9)	020-050	IC LB1515 (VK-9)
149HO23A	TDH23A (052HO68A) (VK-9)		POTENTIOMETERS
149HO25B	SPH25B (052HO64B) (VK-9)	028-1013	1M Ω , A, EVHCOAS20A16 PORTAMENTO TIME (VK-6)
149HO31	DGH31 (052HO62) (VK-9)	031-079	100K Ω , B, EVHCHAS20B15 TUNE (VK-6)
141HO19A	APH19A (052HO69) (VK-9)	031-105	20K Ω , B, Double, EWKDOAS15B24 VOLUME (VK-6)
149HO32	DGH32 (052HO62) (VK-9)	028-990	10K Ω , B, EVHCOAS15B14 BRILLIANCE (VK-6)
146HO17B	PSH17B (100V) (052HO71B) (VK-9)	028-989	1M Ω , A, EVHCOAS15A16 PORTAMENTO TIME (VK-9)
146HO18B	PSH18B (117V) (052HO71B) (VK-9)	031-051	100K Ω , B, EVHCHAK15B15 TUNE (VK-9)
146HO19B	PSH19B (220/240V) (052HO71B) (VK-9)	031-116	20K Ω , B, Double, EWKDOAK15B24 VOLUME (VK-9)
149HO27B	EAH27B (052HO75B) (VKE-1/9)	031-104	10K Ω , B, Double, EWKDOAS15B14 BRILLIANCE (VK-9)
	KEY BOARD ASSY		TRIMMERS
004-011	SK-263A (VK-9, upper)	028-003	5K Ω , B, EVTR4AA00B53
004-012	SK-262A (VK-9, lower)	028-004	10K Ω , B, EVTR4AA00B14
004-013	SK-293A (VK-6, upper)	028-010	1M Ω , B, EVTR4AA00B16
004-014	SK-292A (VK-6, lower)	029-103	500 Ω , B, PNB04C3A501H
	SEMICONDUCTORS	030-245	20K Ω , EVT81AUS10B24 (VK-9)
017-024	Transistor 2SA733P		RESISTOR
017-052	Transistor 2SA640	044-090	1 Ω 1/2W, 5% Solid
017-034	Transistor 2SA682Y	044-099	5.6 Ω 1/2W, 5% Solid
017-128	Transistor 2SB596Y	044-102	10 Ω 1/2W, 5% Solid
017-023	Transistor 2SC945P	044-128	1.5K Ω 1/2W, 5% Solid
017-038	Transistor 2SC1222	044-094	2.2K Ω 1/2W, 5% Solid
017-090	Transistor 2SD526Y	044-599	10M Ω 1/2W, 5% Solid
017-016	FET 2SK30AGR	044-193	10 Ω , 2W 10% Cement
017-036	FET E412 (ITS30546)	044-195	15 Ω , 2W 10% Cement
018-014	Diode 1S2473	044-240	82 Ω , 3W 10% Cement
018-060	Diode 1S1885	044-366A	120 Ω , 10W 10% Cement
018-057	Diode 1B2C1		
018-058	Diode 1B2Z1		

PART NO.	PART AND DESCRIPTION	PART NO.	PART AND DESCRIPTION
044-822	100Ω, 1/4W, 1% Metal film		JACKS
044-831	1.5KΩ, 1/4W, 1% Metal film	009-015	Mono HLJ-102-1-1 KCV OUTPUT, GATE OUTPUT, BEFORE EXP INPUT, AFTER EXP INPUT, NOMAL OUTPUT, BASS SEND, BASS RETURN, LOWER SEND, UPPER SEND
044-833	3.3KΩ, 1/4W, 1% Metal film		
044-911	4.7KΩ, 1/4W, 1% Metal	009-026	Stereo HLJ-0235-1-1 LOWER RETURN, UPPER RETURN BASS OUTPUT (VK-9)
044-912	5.1KΩ, 1/4W, 1% Metal film		
044-838	10KΩ, 1/4W, 1% Metal film	012-038	Lamp socket, WBS1013 (VKE-1/9)
044-905	18KΩ, 1/4W, 1% Metal film	042-060	Terminal block 500K/3DS (220/240V)
044-846	100KΩ, 1/4W, 1% Metal film		FUSE HOLDERS
044-856	470KΩ, 1/4W, 1% Metal film	012-025	F-6 (220/240V)
044-860	1MΩ, 1/4W, 1% Metal film	012-039	SN-5051 (117V)
045-003	6-103 Resistor network		CONNECTORS
045-004	7-103 Resistor network	010-055	450DB8FL, To Revo
	CAPACITORS	010-205	77-MIP-9, To Leslie
032-095	0.47μ, 35V, K, Tantalum	010-206	MC-16LSF, VK-6 to VKP-6
032-099	1μ, 35V, K, Tantalum	010-207	MC-34LSF, VK-9 to VKP-9
032-190	1μ, 50V, Non polar	010-208	TCS-0250, To VKE-1
032-237	1000μ, 35V, ECET35R102SU Electro.	010-184	5045-06A
032-176	2200μ, 50V, ECET50R222SU Electro.	010-185	5045-07A
035-043	0.01μ, 1KV, ECQE10103M (220/240V)	010-190	5045-10A
035-104	0.01μ, 125V, ECQU1A103MC (100/117V)	010-107	5028-04A
035-164	330P, 50V, J, Styrole	010-109	5028-06A
	SWITCHES	010-111	5028-08A
001-154	Lever SW, ESL18113, REVO SPEED	010-036	2461-4C
001-116	Push SW, ESB718, REVO CANCEL	010-037	2461-6C
001-136	Slide SW, SJ0726, OUTPUT LEVEL SELECT PERCUSSION SELECT SUSTAIN SELECT DRAW BARS SELECT	010-098	5145-6A
001-251	Rotary SW, ESR-E133F20E FLYBACK MCDE SELECT (VK-6)	010-088	5051-6
001-252	Rotary SW, ESR-E133F15A FLYBACK MODE SELECT (VK-9)	010-202	5051-7
001-253	Sea saw SW, 2wixII, SEMKO POWER ON-OFF	010-204	5051-10
001-158	Slide SW, ESD3946, SEMKO, 220V-240V SELECT	010-028	2139-3
001-249	SW, ESB-63 (VKP-6)	010-008	2139-4
001-248	Micro SW, AM4700 (VKP-9)	010-009	2139-6
	KNOB	010-010	2139-8
016-036	Knob No.36 Black, REVO SPEED	010-089	2759TL Terminal pin
016-004	Knob No.4 White, REVO CANCEL	010-090	2578TL Terminal pin
016-025	TK-1122 PORTAMENTO TIME FLYBACK MODE SELECT TUNE, VOLUME (VK-6) TUNE, VOLUME (VK-9)	010-147	EMCS1001 10 Pin (VK-6 until serial NO.700189)
016-002		068-032	Colar bush, NA305
	TRANSFORMERS	068-029	Colar bush, NA310
022H016C	Power transformer (100/117V)	068-033	Colar bush, NA315
022H016D	Power transformer (220/240V)	068-034	Colar bush, NB300
022-122	Output transformer, ST31		
022-034	Coil, 3.8H, 4R		
022-128	Coil, 10μH, P-7S		
	FUSES		
008-065	800mA, SEMKO (220/240V)		
008-066	1AT, SEMKO (220/240V)		
008-206	1A, 250V, MGC-UL (117V)		
008-207	1.5A, 250V, MGC-UL (117V)		
008-238	10A, 250V, MGP-UL (Pig-tailed)		
025-008	Lamp 24V, 3W, A7771 (VKE-1/9)		
048-001	Heat sink (VK-9)		

PARTS ORDERING INFORMATION

Name of part number of some of the parts is changed from those printed on previously issued parts list. When ordering replacement parts, be sure to follow the description on the present issue.

When ordering parts, be sure to include the following information:

1. Model and Serial Number
2. Part Number
3. A Description of the Part

This parts list includes all standard stock replacement parts. No attempt has been made to include every nut, bolt and screw. If the necessity for a non-listed part arises, please write describing the parts location and function as well as model and serial number of the unit.