

LIMITED WARRANTY

This product is warranted to the original consumer purchaser to be free from defects in materials and workmanship under normal installation, use and service for a period of one (1) year from the date of purchase as shown on the purchaser's receipt.

The obligation of Rolls Corporation under this warranty shall be limited to repair or replacement (at our option), during the warranty period of any part which proves defective in material or workmanship under normal installation, use and service, provided the product is returned to Rolls Corporation, TRANSPORTATION CHARGES PRE-PAID. Products returned to us or to an authorized Service Center must be accompanied by a copy of the purchase receipt. In the absence of such purchase receipt, the warranty period shall be one (1) year from the date of manufacture.

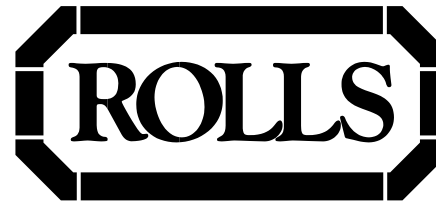
This warranty shall be invalid if the product is damaged as a result of defacement, misuse, abuse, neglect, accident, destruction or alteration of the serial number, improper electrical voltages or currents, repair, alteration or maintenance by any person or party other than our own service facility or an authorized Service Center, or any use violative of instructions furnished by us.

This one-year warranty is in lieu of all expressed warranties, obligations or liabilities. ANY IMPLIED WARRANTIES, OBLIGATIONS, OR LIABILITIES, INCLUDING BUT NOT LIMITED TO THE IMPLIED WARRANTIES OF MERCHANTABILITY AND FITNESS FOR A PARTICULAR PURPOSE, SHALL BE LIMITED IN DURATION TO THE ONE YEAR DURATION OF THIS WRITTEN LIMITED WARRANTY. Some states do not allow limitations on how long an implied warranty lasts, so the above limitation may not apply to you.

IN NO EVENT SHALL WE BE LIABLE FOR ANY SPECIAL, INCIDENTAL OR CONSEQUENTIAL DAMAGES FOR BREACH OF THIS OR ANY OTHER WARRANTY, EXPRESSED OR IMPLIED, WHATSOEVER. Some states do not allow the exclusion or limitation of special, incidental or consequential damages so the above limitation or exclusion may not apply to you. This warranty gives you specific legal rights, and you may also have other rights which vary from state to state.



ROLLS CORPORATION
SALT LAKE CITY, UTAH
3/00



HM58 Headphone Monitor Remote



***NOTE: THIS UNIT REQUIRES A ROLLS HM60 OR
HM57 FOR OPERATION.***

OWNERS MANUAL

Thank you for your purchase of the Rolls HM58 Headphone Monitor Remote. This unit, along with either the HM60 Headphone Monitor System or HM57 Headphone Monitor Interface, allows you to mix four mono signals with two stereo signals for your own personal monitoring needs. It includes equalization and AGC compression. Please read the following manual carefully to get the best results from your HM58.

TABLE OF CONTENTS

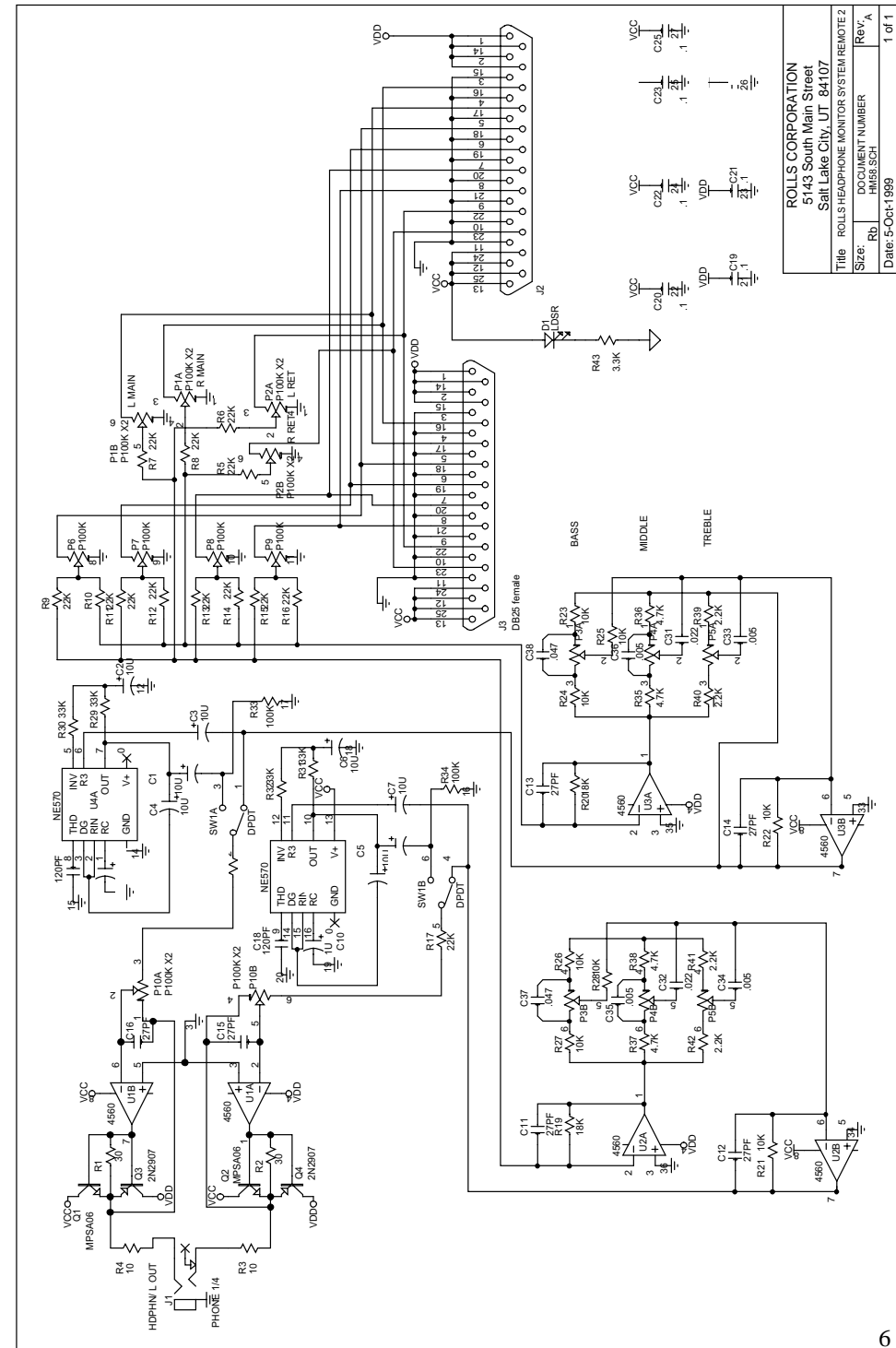
Introduction	1
Table of Contents	1
Inspection	1
Specifications	1
Description	
Back Panel	2
Front Panel	2
Connection	3
Operation	4
Block Diagram	5
Schematic	6
Warranty	Rear Cover

INSPECTION

1. Unpack and inspect the HM58 box and package. If obvious physical damage is noticed, contact the carrier immediately to make a damage claim. We suggest saving the shipping carton and packing materials for safely transporting the unit in the future.
2. Please complete the Warranty Registration Card and return it to the factory.

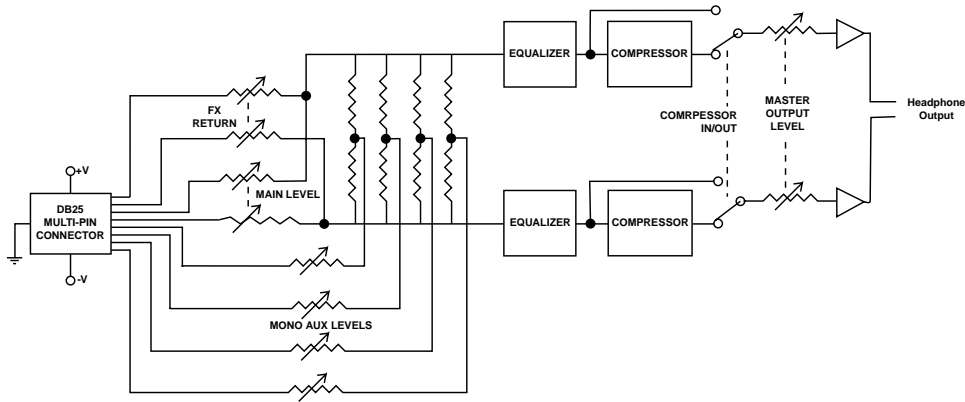
SPECIFICATIONS

Output Impedance:	10 Ω
Sensitivity:	Variable, -10 to +4 dB for rated output
Power Output:	>500 mW at 32 Ω (>150 mW at 600 ohms) 20 Hz to 20 KHz.
Connectors:	Outputs: 1/4" TRS stereo headphone jack, DB25 (25 pin) jack
Distortion:	0.008% THD full power @ 1 KHz; 0.05% THD 20Hz to 20 KHz
Dynamic Range:	Greater than 96 dB
Freq. Response:	20 Hz to 20 KHz, +0, -1 dB 400 mW output
Power Requirement:	Receives power from HM60 or HM57
Dimensions:	7.5" W x 3.35" H x 1.625"D
Weight:	1.5 lbs.



ROLLS CORPORATION 5143 South Main Street Salt Lake City, UT 84107	
Title: ROLLS HEADPHONE MONITOR SYSTEM REMOTE2	Rev. A
Size: RB	DOCUMENT NUMBER
	RM58.SCH
	Date: 5-Oct-1999
	1 of 1

BLOCK DIAGRAM



DESCRIPTION

BACK PANEL

EXPANSION PORTS: Male and Female 25 pin parallel port jacks.

FRONT PANEL

NOTE: All HM58 controls adjust the levels of input signals connected to either the HM60 or HM57. With the exception of the HM60 Effects Send controls, all other HM60 knobs will have no effect on the signals sent to the HM58.

MAIN IN: Controls the level of the main Stereo Input

FX RETURN: Adjusts the level of signal returning from a signal processor which is connected to an HM60.

BASS: Boosts or cuts the low frequency portion of the signals sent to the Headphone Output. When in the 12 O'clock position, the knob has no effect.

MID: Boosts or cuts the middle frequency portion of the signals sent to the Headphone Output. When in the 12 O'clock position, the knob has no effect.

TREBLE: Boosts or cuts the high frequency portion of the signals sent to the Headphone Output. When in the 12 O'clock position, the knob has no effect.

AGC COMP: This switch engages the Automatic Gain Control compressor.

MASTER OUT: Controls the level of all signals sent to the Headphone Output.

OUTPUT: 1/4" TRS stereo jack containing all mixed and processed signals.

PWR: LED indicating that the HM58 is properly connected to the HM60 or HM57 and is receiving power.

AUX1 - AUX4: Adjusts the level of input signals to from the indicated input.



CONNECTING THE HM58

Shown below is a connection diagram for the HM58. The male Expansion jack, shown below on the left side, is the INPUT, the female Expansion jack, shown here to the right, is the OUTPUT or through jack. So connect the DB25 expansion cable from the female OUTPUT Expansion jack of either the HM60 or HM57 to the male INPUT Expansion jack on the HM58. The female OUTPUT Expansion jack on the HM58 may then be connected to another HM58 or HM59.



OPERATING THE HM58

After proper connections are made, begin sending signals to the HM60 or HM57, whichever is connected to the signal sources and your HM58.

- Set the HM58 Master Level control at approximately 12 O'clock. Carefully bring up the AUX 1 - 4 levels until a desired mix is achieved.
- Adjust the Equalizer as needed.
- The AGC compressor keeps transient signals like pops or feedback under control, so they won't damage your hearing. It also slightly brings up low-level signals. *NOTE: Much of the signal content may not be compressed, you may not notice any effect. Only very high level or low level signals are effected.*
- If using external effects processors, make sure they are properly connected to the HM60, and the levels are set properly. Refer to the HM60 owners manual, as well as the operating manual of the effects processor.

If you have an effects processor connected to the HM60 control unit, the HM58 Effects Return adjusts the level of the effected signals to your headphone mix. Note that the Effects Sends 1 - 4 and MAIN on the HM60 determine the mix of signals sent to the effects processor. The HM58 FX Return control will only adjust the level of that mix. In other words, the signals present at the Right and Left Effects Return jacks on the HM60 will be the signals adjusted by the FX Return control on the HM58.

