

LIMITED WARRANTY

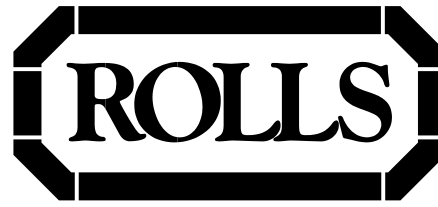
This product is warranted to the original consumer purchaser to be free from defects in materials and workmanship under normal installation, use and service for a period of one (1) year from the date of purchase as shown on the purchaser's receipt.

The obligation of Rolls Corporation under this warranty shall be limited to repair or replacement (at our option), during the warranty period of any part which proves defective in material or workmanship under normal installation, use and service, provided the product is returned to Rolls Corporation, TRANSPORTATION CHARGES PRE-PAID. Products returned to us or to an authorized Service Center must be accompanied by a copy of the purchase receipt. In the absence of such purchase receipt, the warranty period shall be one (1) year from the date of manufacture.

This warranty shall be invalid if the product is damaged as a result of defacement, misuse, abuse, neglect, accident, destruction or alteration of the serial number, improper electrical voltages or currents, repair, alteration or maintenance by any person or party other than our own service facility or an authorized Service Center, or any use violative of instructions furnished by us.

This one-year warranty is in lieu of all expressed warranties, obligations or liabilities. ANY IMPLIED WARRANTIES, OBLIGATIONS, OR LIABILITIES, INCLUDING BUT NOT LIMITED TO THE IMPLIED WARRANTIES OF MERCHANTABILITY AND FITNESS FOR A PARTICULAR PURPOSE, SHALL BE LIMITED IN DURATION TO THE ONE YEAR DURATION OF THIS WRITTEN LIMITED WARRANTY. Some states do not allow limitations on how long an implied warranty lasts, so the above limitation may not apply to you.

IN NO EVENT SHALL WE BE LIABLE FOR ANY SPECIAL, INCIDENTAL OR CONSEQUENTIAL DAMAGES FOR BREACH OF THIS OR ANY OTHER WARRANTY, EXPRESSED OR IMPLIED, WHATSOEVER. Some states do not allow the exclusion or limitation of special, incidental or consequential damages so the above limitation or exclusion may not apply to you. This warranty gives you specific legal rights, and you may also have other rights which vary from state to state.



RA63 DISTRIBUTION AMPLIFIER



ROLLS CORPORATION
SALT LAKE CITY, UTAH

7/00

OWNERS MANUAL

INTRODUCTION

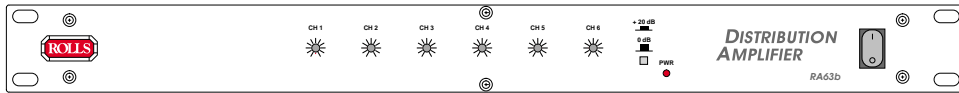
Thank you for your purchase of the ROLLS RA63 Distribution Amplifier. This unit will distribute six high-level balanced lines in a sound distribution system. The screw terminals on the rear panel are for input and output, and each output may power more than one line. The unit is intended for professional applications and has a FR4 double sided circuit board and painted steel chassis.

FEATURES

- 6 Distribution outputs on barrier strips
- Screw driver adjustable front panel volume controls
- Balanced inputs and outputs
- Clean, quiet operation

DESCRIPTION

FRONT PANEL

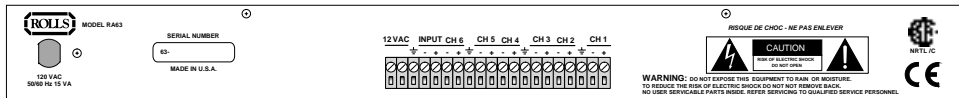


VOL 1 - 6: These screwdriver adjustable controls adjust the level of output signal for each indicated output.

+20dB/0dB Switch: Pressing this switch in provides 20 dB of gain to the input signal.

PWR: LED indicating the unit's power status.

REAR PANEL



120 VAC 50/60 HZ 15 VA: Power Cord. Connect to a properly grounded AC source.

12 VAC: These two terminals provide 12 volts of ac current. These are available for connection to low power accessory units.

INPUT: These three terminals, labeled + for the positive or "hot" connection, - for the negative connection, and the ground symbol for earth ground connection are for connection to the balanced or unbalanced input signal to be distributed.

CH6 - CH1: For each channel; the two terminals labeled + for the positive or "hot" portion of the output signal, and the - for negative or neutral portion. The ground signal indicates the terminal to be connected to earth ground. This terminal may be lifted in the event of ground loops.

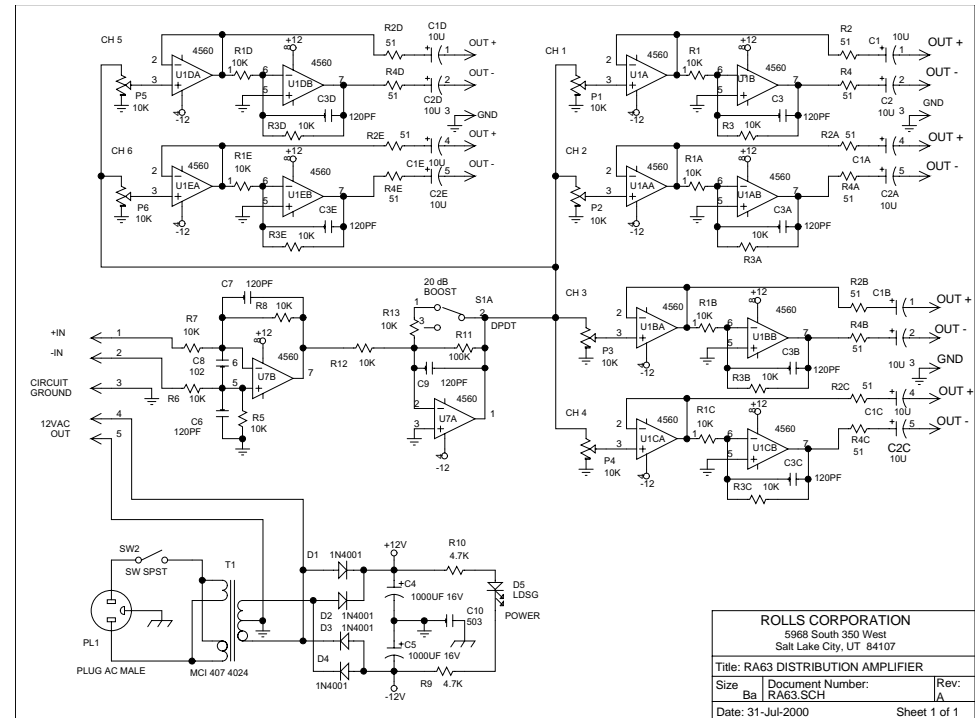
INSTALLATION

Install the RA63 in a standard 19" rack. The unit is intended for installations where several zones or areas need to be controlled and a high level balanced signal is required to drive the input lines.

SPECIFICATIONS

Input Impedance:	100 K Ω balanced
Max Input Level:	+22 dBV
I/O Connectors:	Screw terminal; +, -, and ground
Output Impedance:	50 Ω balanced
Max Output Level:	+24 dB
Max Gain:	20 dB
S/N Ratio:	>90 dB
THD:	<.008%
Power:	120 VAC 50-60 Hz, 15VA
Size:	19" x 1.75" x 6.5" (48 x 4.5 x 17 cm)
Weight:	7 lbs. (3 kg)

SCHEMATIC



ROLLS CORPORATION 5988 South 350 West Salt Lake City, UT 84107	
Title: RA63 DISTRIBUTION AMPLIFIER	
Size: Ba	Document Number: RA63.SCH
Date: 31-Jul-2000	Rev: A
Sheet 1 of 1	