

## LIMITED WARRANTY

This product is warranted to the original consumer purchaser to be free from defects in materials and workmanship under normal installation, use and service for a period of one (1) year from the date of purchase as shown on the purchaser's receipt.

The obligation of Rolls Corporation under this warranty shall be limited to repair or replacement (at our option), during the warranty period of any part which proves defective in material or workmanship under normal installation, use and service, provided the product is returned to Rolls Corporation, TRANSPORTATION CHARGES PREPAID. Products returned to us or to an authorized Service Center must be accompanied by a copy of the purchase receipt. In the absence of such purchase receipt, the warranty period shall be one (1) year from the date of manufacture.

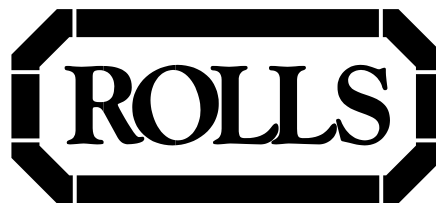
This warranty shall be invalid if the product is damaged as a result of defacement, misuse, abuse, neglect, accident, destruction or alteration of the serial number, improper electrical voltages or currents, repair, alteration or maintenance by any person or party other than our own service facility or an authorized Service Center, or any use violative of instructions furnished by us.

This one-year warranty is in lieu of all expressed warranties, obligations or liabilities. ANY IMPLIED WARRANTIES, OBLIGATIONS, OR LIABILITIES, INCLUDING BUT NOT LIMITED TO THE IMPLIED WARRANTIES OF MERCHANTABILITY AND FITNESS FOR A PARTICULAR PURPOSE, SHALL BE LIMITED IN DURATION TO THE ONE YEAR DURATION OF THIS WRITTEN LIMITED WARRANTY. Some states do not allow limitations on how long an implied warranty lasts, so the above limitation may not apply to you.

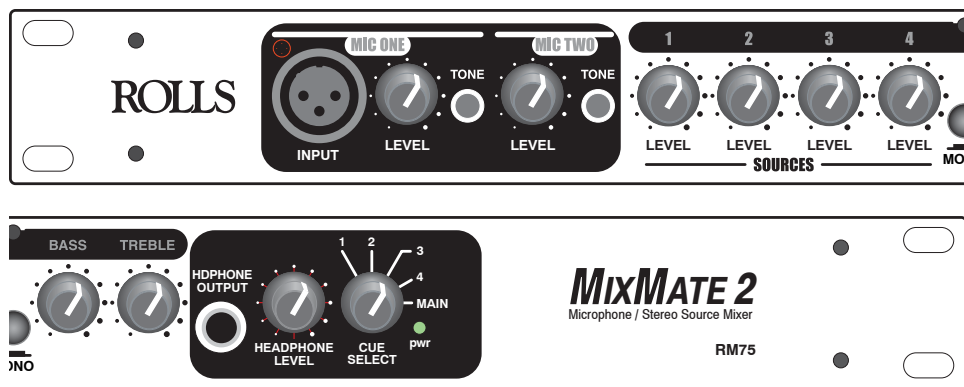
IN NO EVENT SHALL WE BE LIABLE FOR ANY SPECIAL, INCIDENTAL OR CONSEQUENTIAL DAMAGES FOR BREACH OF THIS OR ANY OTHER WARRANTY, EXPRESSED OR IMPLIED, WHATSOEVER. Some states do not allow the exclusion or limitation of special, incidental or consequential damages so the above limitation or exclusion may not apply to you. This warranty gives you specific legal rights, and you may also have other rights which vary from state to state.



ROLLS CORPORATION  
SALT LAKE CITY, UTAH  
5/02  
www.rolls.com



# RM75 MixMate II Mic/Source Mixer



OWNERS MANUAL

# INTRODUCTION

Thank you for your purchase of the Rolls RM75 MixMate II Mic / Source Mixer. The RM75 mixes two microphones with up to four stereo source signals such as CD players and karaoke machines. The unit is housed in a compact yet sturdy steel 1U rack chassis.

## INSPECTION

1. Unpack and inspect the RM75 box and package. Your RM75 was carefully packed at the factory in a protective carton. Nonetheless, be sure to examine the unit and the carton for any signs of damage that may have occurred during shipping. If obvious physical damage is noticed, contact the carrier immediately to make a damage claim. We suggest saving the shipping carton and packing materials for safely transporting the unit in the future.

2. Please register your new RM75 online at [www.rolls.com](http://www.rolls.com), or complete the Warranty Registration Card and return it to the factory.

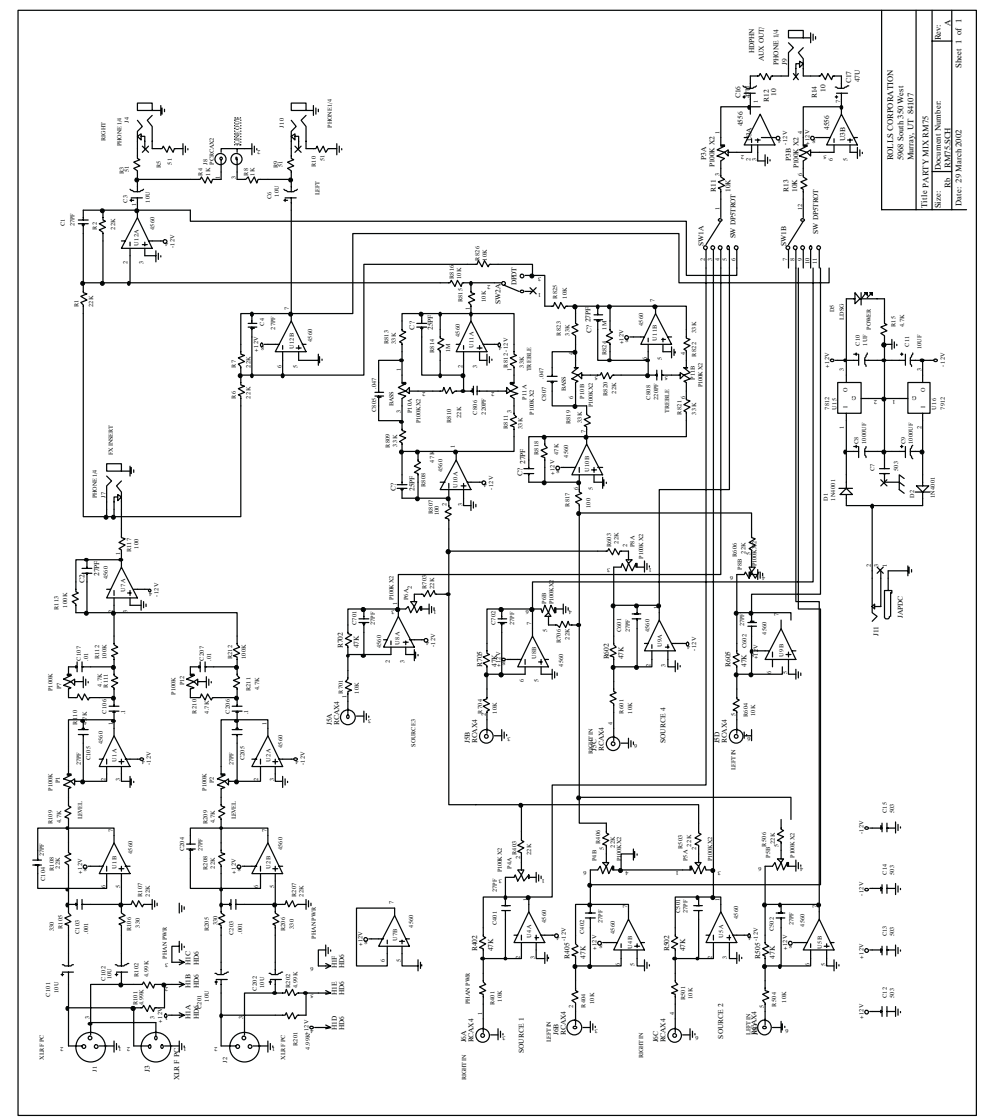
## FEATURES

- Two Mic Channels
- Tone controls for each Mic Channel
- Mic One offers front and rear panel Input jacks
- +12 VDC Mic Phantom Power
- Mic Insert for effects processors
- Four stereo RCA source inputs
- Bass and Treble controls for Source Inputs
- Balanced 1/4" TRS Outputs
- Unbalanced RCA Outputs
- External PS12 power supply (included) for low noise operation

## TABLE OF CONTENTS

Introduction	1
Inspection	1
Features	1
Table of Contents	1
Description	
Front Panel	2
Rear Panel	2
Connection	3
Operation	4
Specifications	5
Schematic	6
Warranty	Back cover

# SCHEMATIC



REV	1
DATE	01/11/01
ROLLS CORPORATION 5000 S.W. 10th Street Fort Lauderdale, FL 33309	
THIS PARTIAL AXIOM SPECIFICATION NUMBER IS: RM75MIXMATEII DATE: 02/24/00/02/02	
SHEET 1 OF 1	

## SPECIFICATIONS

Input Impedance:	Mic:	600 Ohms XLR balanced
	Source:	22K Ohms RCA
	Mic Insert:	22K Ohms 1/4" TRS insert
Max Input Level:	Mic:	-14 dBV Mic level
	Source:	24 dBV
Headphone Output Impedance:		>8 Ohms
In/Out Connectors:		3: XLR, 5: Stereo RCA, 4: 1/4" TRS
Phantom Power:		+12 VDC
Output Level:		+17 dBV max
Output Impedance:		51 Ohms
Max Gain:	Mic:	60 dB
	Source:	26 dB
Tone Controls:		+/-12 dB 100 Hz Bass +/-12 dB 11kHz Treble
Noise Floor:		- 80 dB, THD: <.025%,
S/N Ratio:		96 dB
Size:		19" x 1.75" x 4" (48.3 x 4.5 x 10 cm)
Weight:		5 lbs. (2.3 kg)

## DESCRIPTION

### FRONT PANEL



**INPUT:** Balanced XLR jack for connection to a dynamic or condenser microphone. This jack parallels the Channel 1 Microphone Input on the rear panel.

*NOTE: The following two descriptions are for Mic 1 and Mic 2.*

**LEVEL:** Adjusts the amount of signal from the Microphone Input channel to the Main Outputs.

**TONE:** Adjusts the relative frequency components of the Mic signal. Turning this control clockwise from the center (detented) position decreases the high frequencies. Turning the control counter-clockwise from center decreases the low frequencies.

**SOURCE LEVEL CONTROLS 1 - 4:** Adjust the amount of signal from the indicated Source channel to the Main Outputs.

**BASS:** Varies the amount of the low frequency portion (150 Hz) of the Source signals.

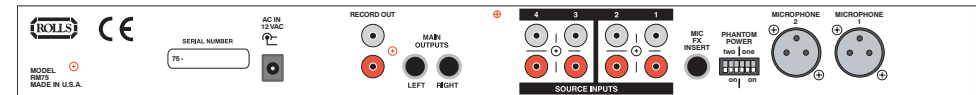
**TREBLE:** Varies the amount of the high frequency portion (10 kHz) of the Source signals.

**HEADPHONE OUTPUT:** 1/4" Tip-Ring-Sleeve jack for connection to any standard pair of audio headphones.

**HEADPHONE LEVEL:** Adjusts the amount of signal to the Headphone Output.

**CUE SELECT:** Selects a Source signal, or the Main Output signal to be sent to the Headphone Output.

### REAR PANEL



**AC INPUT:** Connects to the included Rolls PS12 AC adapter.

#### LINE OUTPUTS

RCA: Unbalanced output jacks

1/4": Tip-Ring-Sleeve balanced output jacks

**SOURCE INPUTS:** Unbalanced RCA input jacks.

**FX INSERT:** 1/4" Tip-Ring-Sleeve jack for connection to an insert plug (see diagram) and to an effects processor. Allows for effects to be added to the microphone signals.

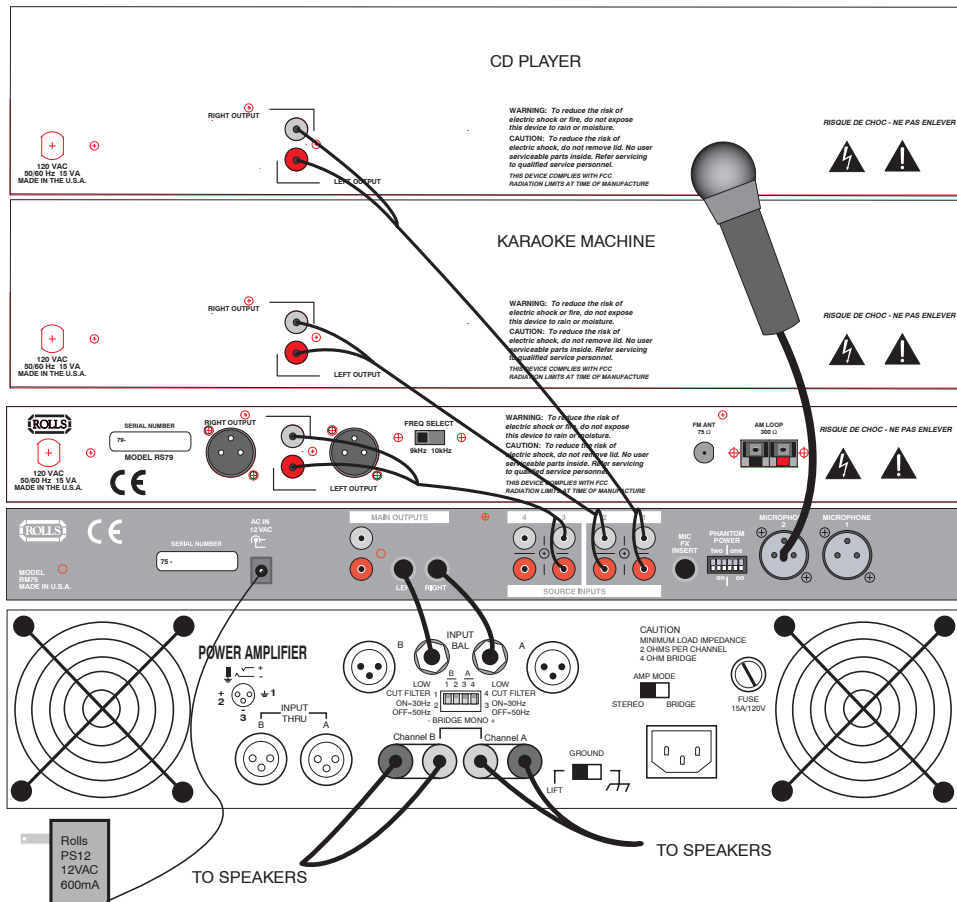
**PHANTOM POWER:** Header pins for applying 12VDC phantom power to the indicated microphone.

**MICROPHONE INPUTS 1 and 2:** Balanced XLR jacks for connecting to dynamic or condenser microphones.

Ensure the RM75 is securely mounted in a 19" rack. Connect the PS12 power supply to an AC outlet (preferably a power strip with master switch). If the unit is to be used in a permanent install, connect all sources and microphones to the desired channels on the rear panel. Remember which signal sources are connected to which Source Inputs.

For use in mobile DJ/Karaoke rigs, the microphone should be connected to the front panel Microphone Input so it may be easily removed when the mobile rig is packed.

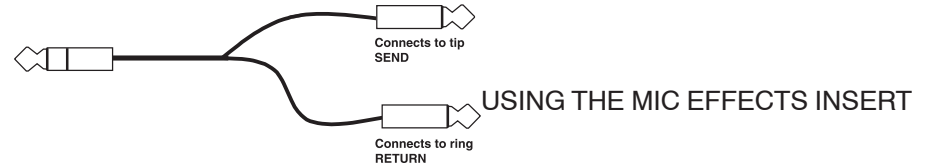
Shown below is a possible connection example for the RM75.



Make sure all audio connections are in place, and power is applied to all pieces of equipment necessary for operation, ie; speakers, power amplifiers, microphones etc.

Normally, only one source signal is heard at a time along with a microphone signal. Therefore, begin with all Levels completely counter-clockwise (off). Keep the Headphone Level control low and, using the Cue Select switch, select which Source signal you wish to hear. There will be nothing heard from the Main Outputs until you increase the level of a Source or Mic channel. You may now 'cue' or prepare the Source selection for playing. Set the Headphone Level for a comfortable amount. Increase the Source Level of the 'cued' channel, and begin playing the selection.

You may now select a different channel by moving the Cue Select switch to another Source Channel, and 'cue' another song.



In order to add effects to the microphone signal, an insert cable is needed. The Tip of the plug acts as the Send, the Ring is the Return.

Connect the insert cable's TRS end to the Mic FX Insert jack on the rear of the RM75. Connect the Tip connection to your effects processor's Input jack, and the Ring connection to the Output of the effects processor. The RM75 effects insert is mono, so if the effects processor is stereo - choose a Mono output. You may need to refer to your effects processor owners manual for more information about operating it in mono.

Make sure a microphone is properly connected to the RM75 and the unit is on. Speak into the microphone and adjust the levels of your effects processor for the desired process and level of effect.