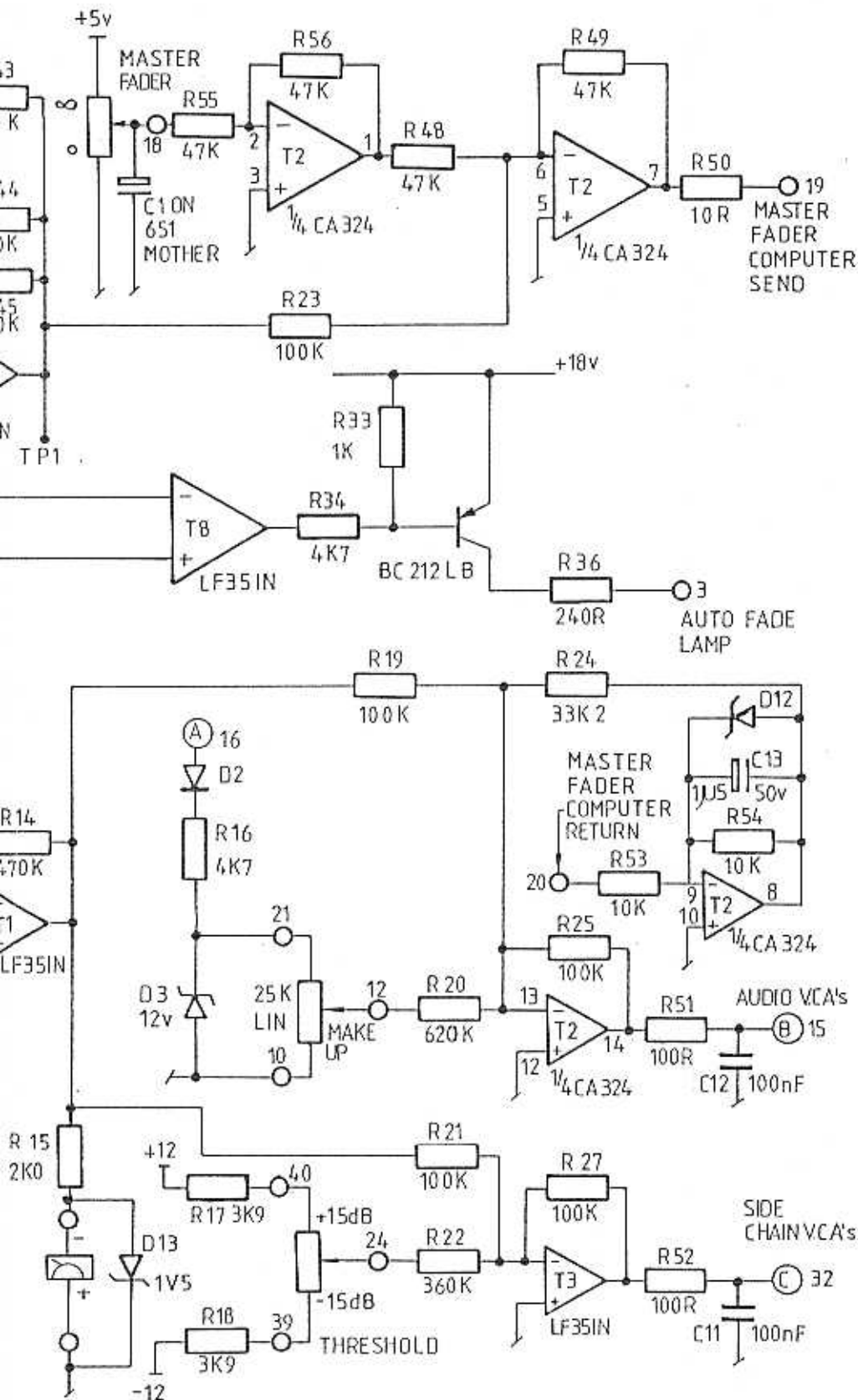


Rev.	Date	Ckd	Details
7	2.84	REDRAWN	VB.
8	Dec 85	DM	R59, R60, C15 ADDED. <i>ST</i>



ASSY. REV. N° 8

Title  
 COMPRESSOR TIME CONSTANTS,  
 QUAD FADER AUTOFADE

Drg. No. T82027-71

**Solid State Logic**