

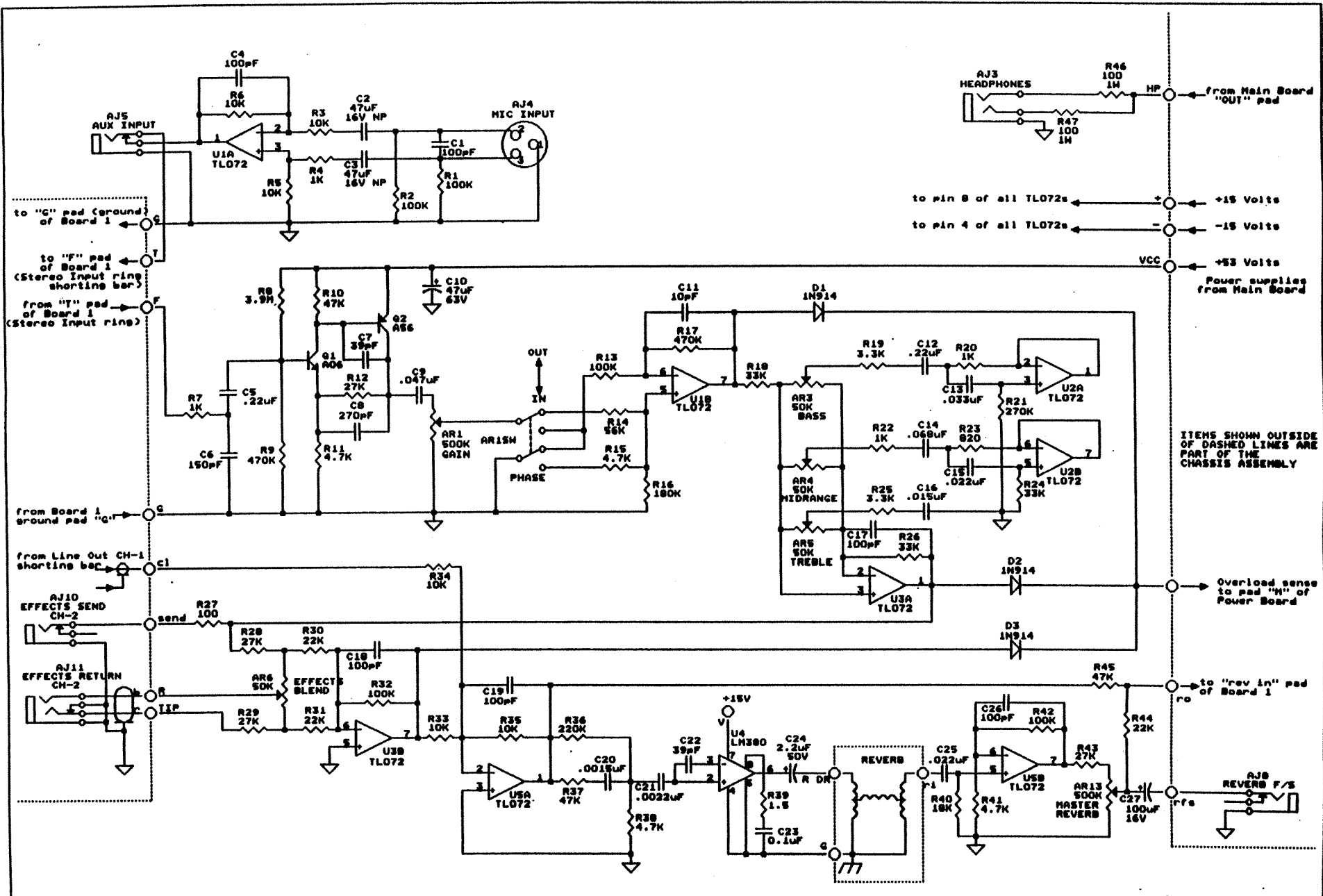
to pin 8 of all ICs ← +15 Volts
 to pin 4 of all ICs ← -15 Volts
 ← +53 Volts
 Power supplies from Power Board

Overload sense to "i" pad on Power Board

to "c1" pad of Board 2

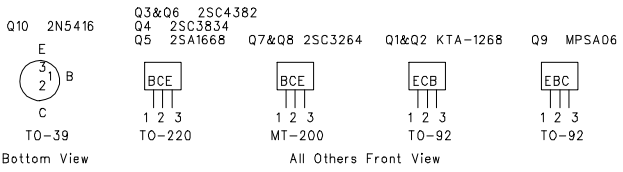
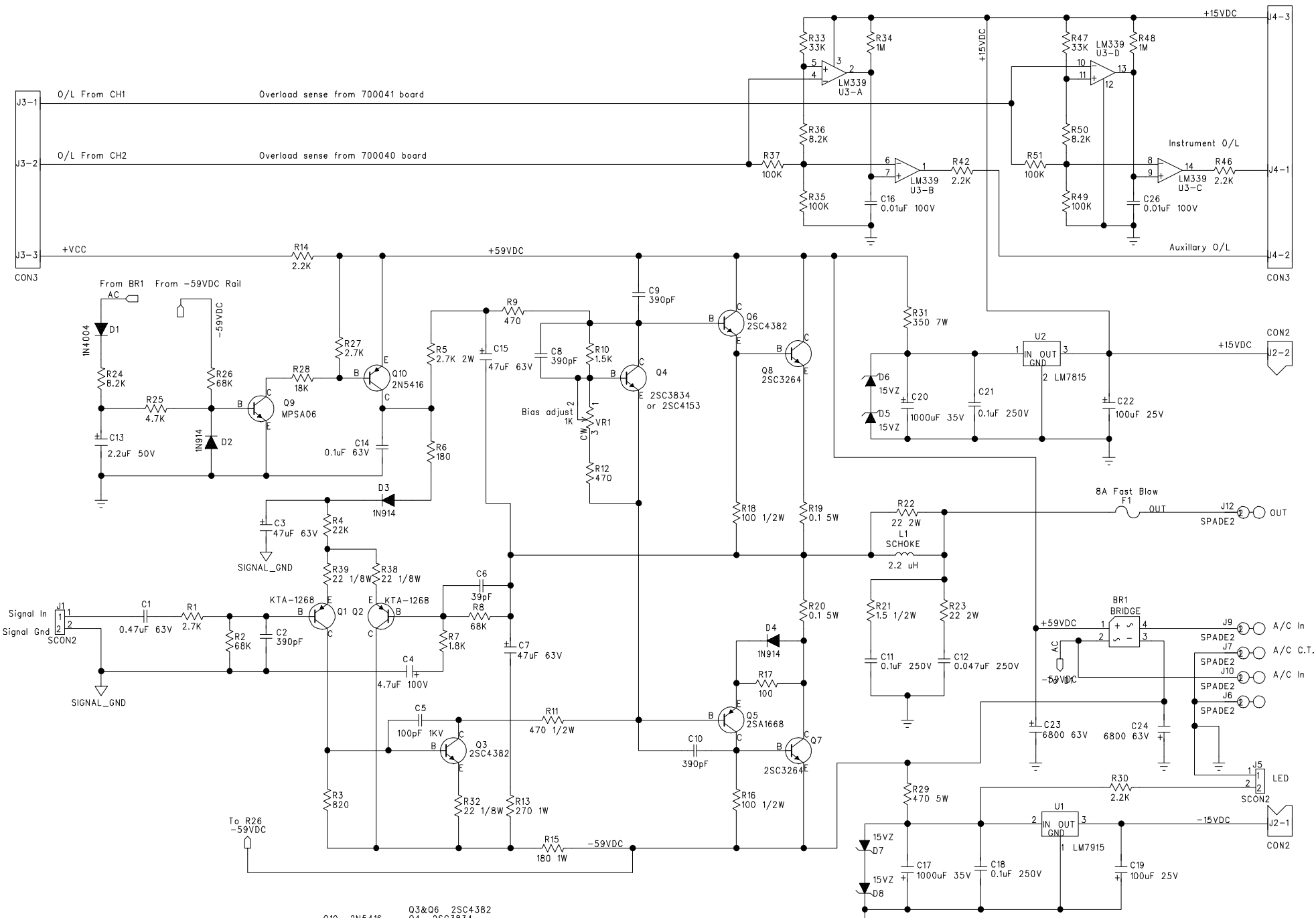
to "in" pad on Power Board

SHR SOUND CORPORATION			
Title	INSTRUMENT PREAMP, CALIFORNIA BLONDE		
Size	Document Number	REV	
B	700041	B	
Date	June 17, 1977	Sheet	1 of 1



2. Reference designators preceded with the letter "A" are part of the Chassis Assembly.
 1. All resistors are in Ohms, 1/4 Watt.
 NOTES (Unless otherwise indicated):

SHR SOUND CORPORATION		
9130 Glenoaks Blvd.		
Sun Valley, CA 91352		
PHONE: (818) 253-4797 FAX: (818) 253-4799		
http://www.shrsound.com		
Title		
MIC CHANNEL PREAMP, CALIFORNIA BLONDE		
Size	Document Number	REV
8	700040	0
Date	June 17, 1999	Sheet 1 of 1



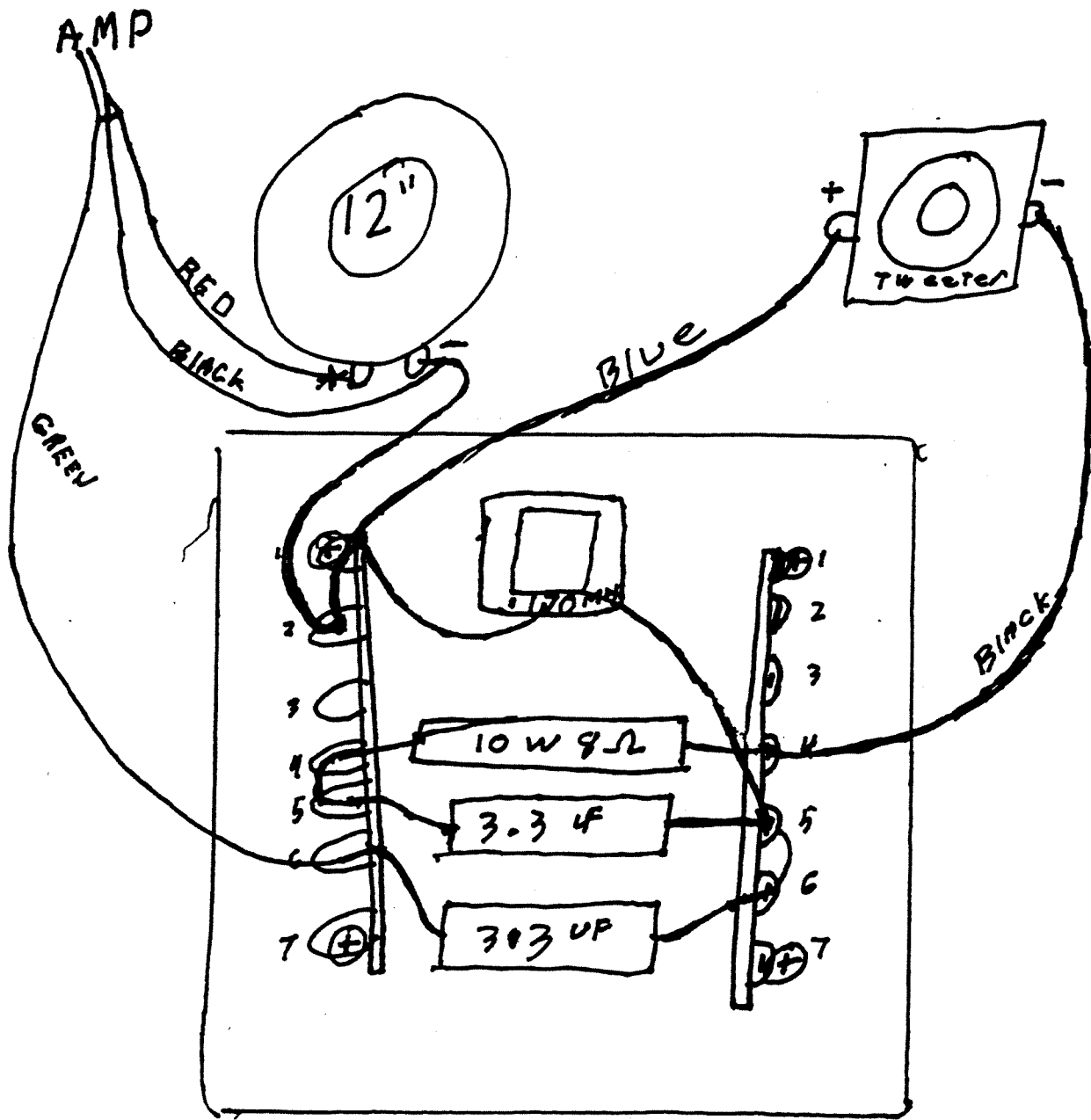
NOTES (Unless otherwise specified):
 1. All resistor in ohms, 1/4 watt, 5%

SWR Sound Corp.

California Blonde - Power Amp Board

August 2000 700042 Revision E Page 1 of 1

Last updated: 26 August 2000



SWR CALIF. BLONDE
 X-OVER