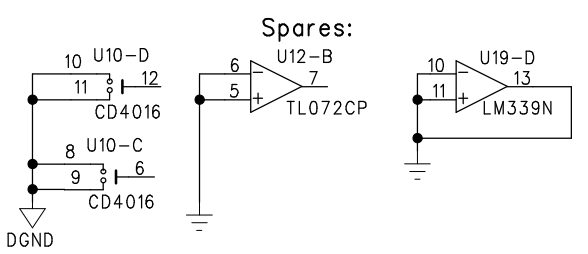
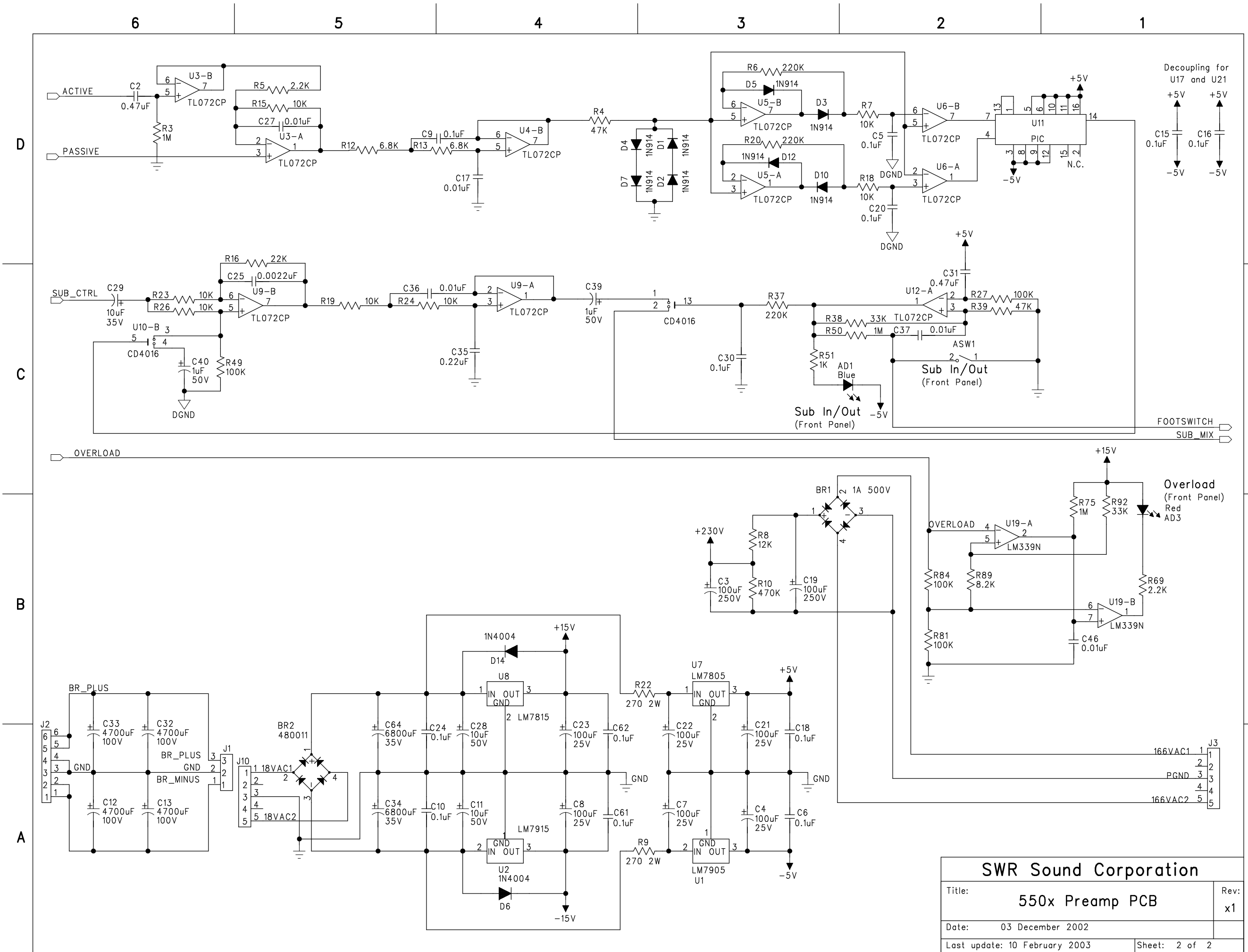


Please note:
 1.> Unless otherwise noted, all resistors are 1/4 Watt, 5%.
 2.> An "A" reference designator prefix denotes a location other than on the PCB.

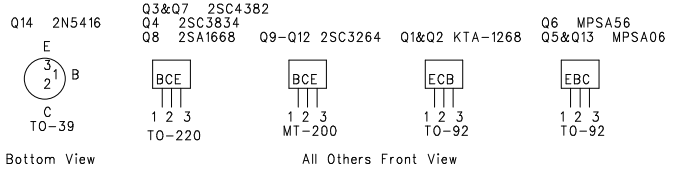
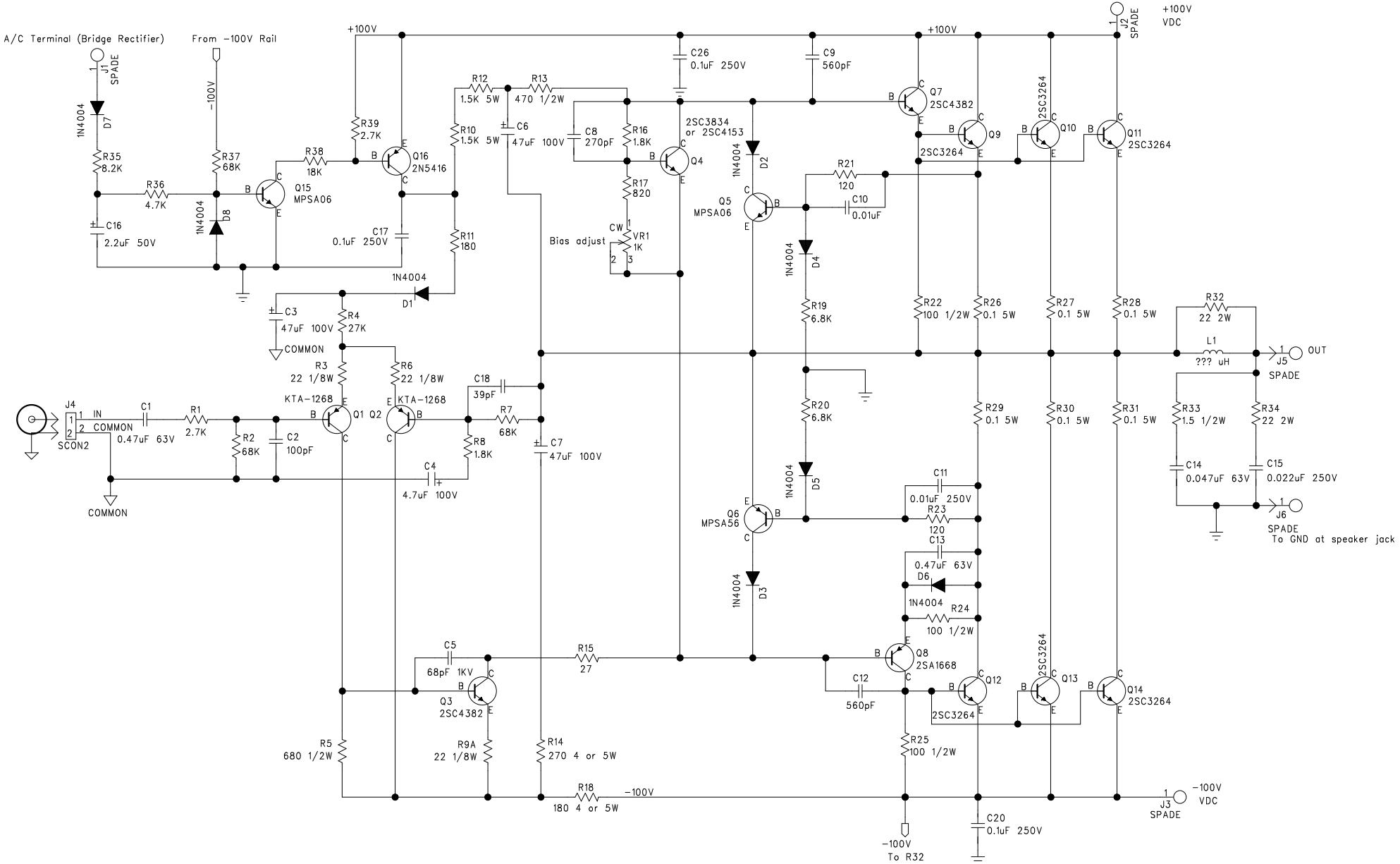


SWR Sound Corporation	
Title:	550x Preamp PCB
Date:	03 December 2002
Last update:	10 February 2003
Rev:	x1
Sheet: 1 of 2	

PCB - 170063-x1 Production release
 Assembly - 700076



SWR Sound Corporation		
Title:	550x Preamp PCB	Rev:
Date:	03 December 2002	x1
Last update:	10 February 2003	Sheet: 2 of 2



NOTES (Unless otherwise specified):
 1. All resistor in ohms, 1/4 watt, 5%
 2. PCB part # for all units is 170033B
 Module is 700051

SWR Sound Corp.

SWR750 - Power Amp Module

June 2002
Revision E
Page 1 of 1