

REVISION RECORD			
LTR	ECO NO.	APPROVED:	DATE:

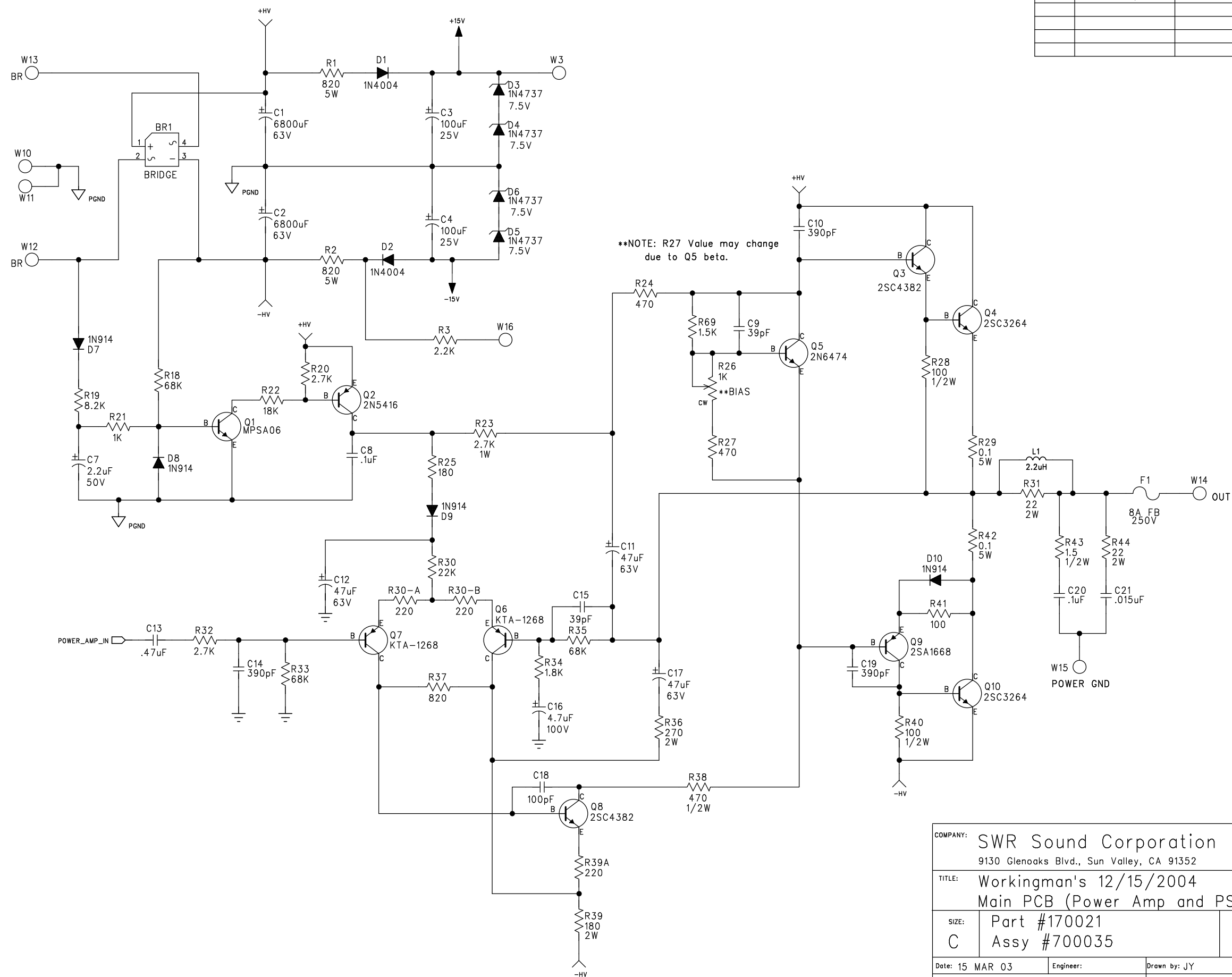
NOTES:
 Unless otherwise noted:
 1. All resistors 1/4W 5%
 2. Reference designators starting with "W" indicate jumpers to other PCBs.
 3. All resistor values in ohms

COMPANY: SWR Sound Corporation 9130 Glenoaks Blvd., Sun Valley, CA 91352	
TITLE: Workingman's 12/15/2004 Main PCB (Preamp)	
SIZE: Part #170021 C Assy #700035	REV: 01
Date: 09FEB03	Engineer: Drawn by: JY
Filename: wm4004_pre_11a.sch	SHEET: 1 OF 2

PRELIMINARY

6 5 4 3 2 1

REVISION RECORD			
LTR	ECO NO:	APPROVED:	DATE:



**NOTE: R27 Value may change due to Q5 beta.

COMPANY: SWR Sound Corporation		A
9130 Glenoaks Blvd., Sun Valley, CA 91352		
TITLE: Workingman's 12/15/2004 Main PCB (Power Amp and PSU)		
SIZE: Part #170021	REV: 01	
C	Assy #700035	
Date: 15 MAR 03	Engineer:	Drawn by: JY
Filename:		SHEET: 2 OF 2

D

C

B

A

D

C

B

A