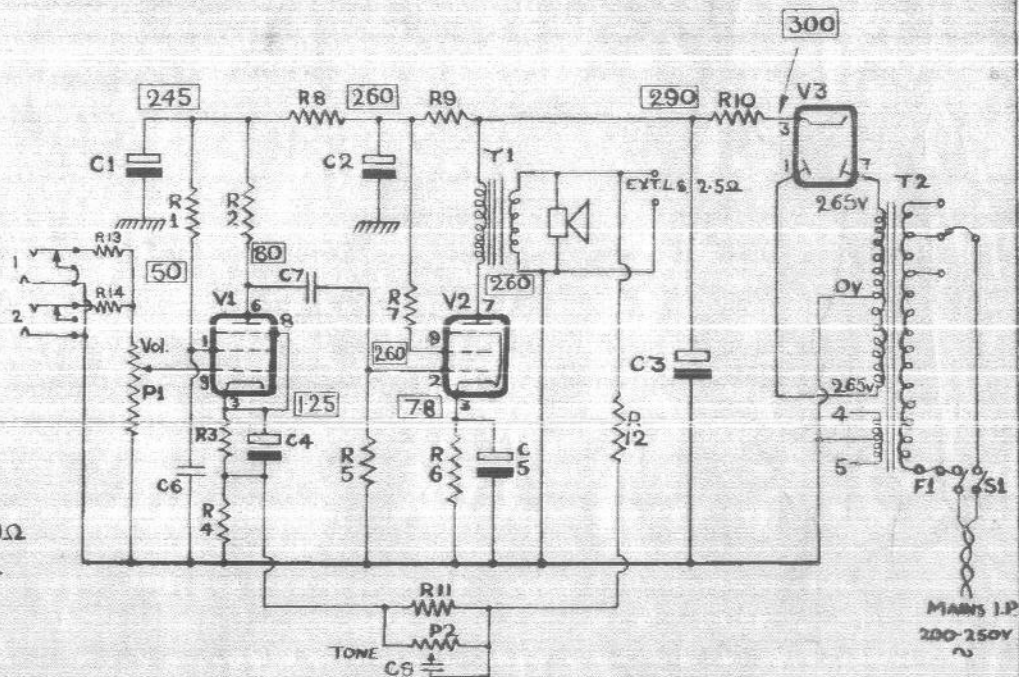


R1	33M 1/4W	V1	EF 86
R2	470K "	V2	EL 84
R3	3.3K "	V3	EZ 80
R4	47Ω "		
R5	470K "	P1	5M POT.
R6	150Ω 1/4W	P2	100K POT.
R7	100Ω 1/4W		WITH DP SW.
R8,13,14,47k"		(S)	
R9	5K "	F1	FUSE 1A
R10	250Ω 1/4W		
R11	27K 1/2W		
R12	1KΩ 1/4W		
C1	16μf	}	SINGLE CAN
C2	32μf		350V WKG.
C3	32μf		
C4	25μf		110P. Xfmr
C5	50μf		ELAC
C6	1μf		T.2 MAINS
C7	1μf		Xfmr 0.3V 2A
C8	0.2μf		265-0.26560MA

□ = VOLTAGE READINGS
TAKEN WITH 20,000Ω
PER VOLT METER.

100's.
2.47k RESISTORS & 1 INPUT SOCKET
ADDED. 4-1-59.



SCALE.	DATE 31-10-57
DRAWN. HLL	CHKD.
TRCD J.O.S.	APPD. + +

DIAGRAM CIRCUIT T/V.6.

SELMER
ELECTRONICS, LTD.

DRG No. 1660/2
PART No. D29.