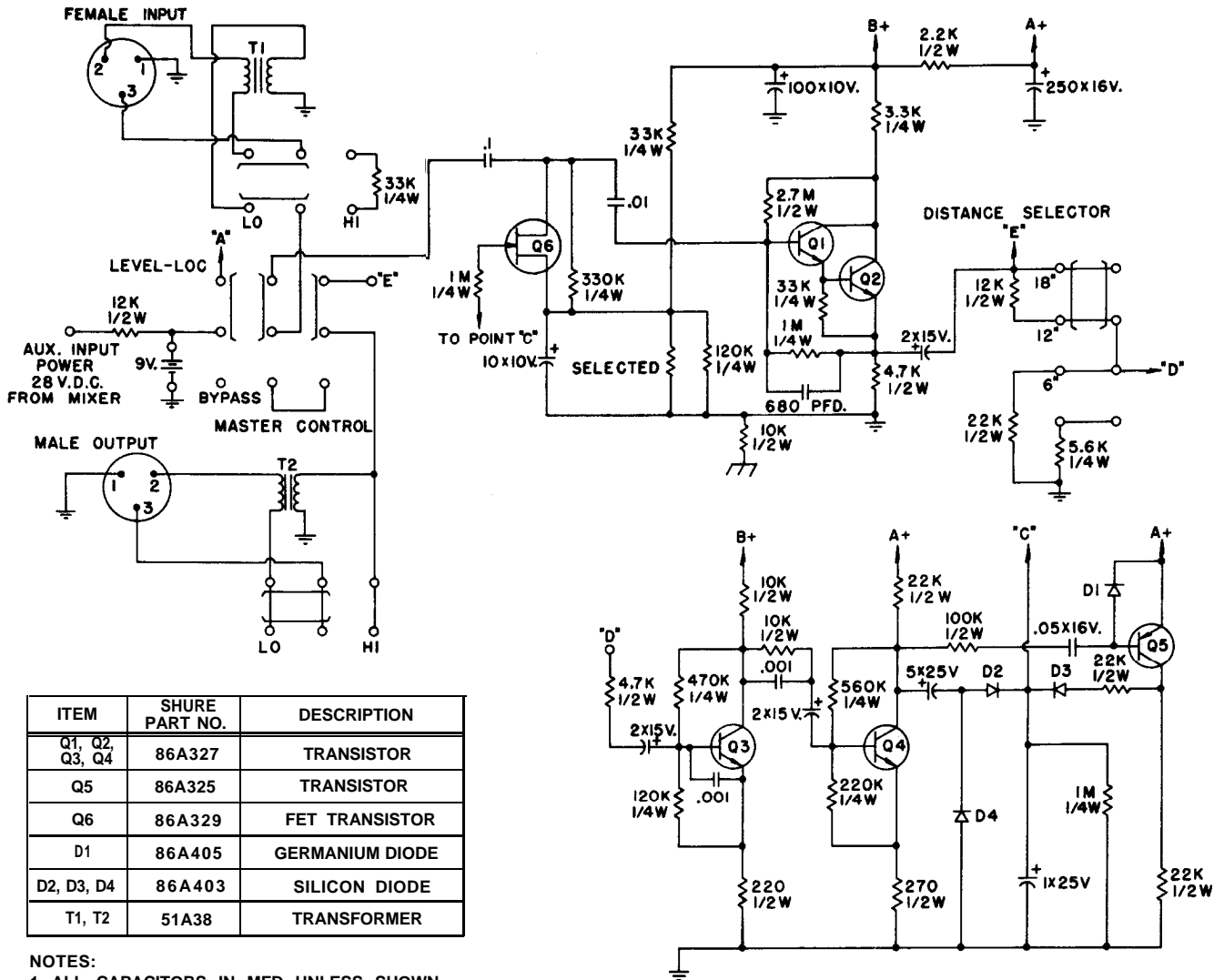


**MODEL M62**  
**DATA SHEET**  
**AUDIO LEVEL CONTROLLER**  
**CIRCUIT DIAGRAM**



**NOTES:**

1. ALL CAPACITORS IN MFD UNLESS SHOWN OTHERWISE AND WORKING VOLTAGES OVER 100 UNLESS SHOWN.
2. ALL RESISTORS 10% TOLERANCE.
3. THE SELECTED RESISTOR IS CHOSEN TO ADJUST POINT WHERE REGULATING ACTION STARTS TO CORRESPOND TO DISTANCE SELECTOR SWITCH SETTINGS.

**MODEL M62**  
**AUDIO LEVEL CONTROLLER**