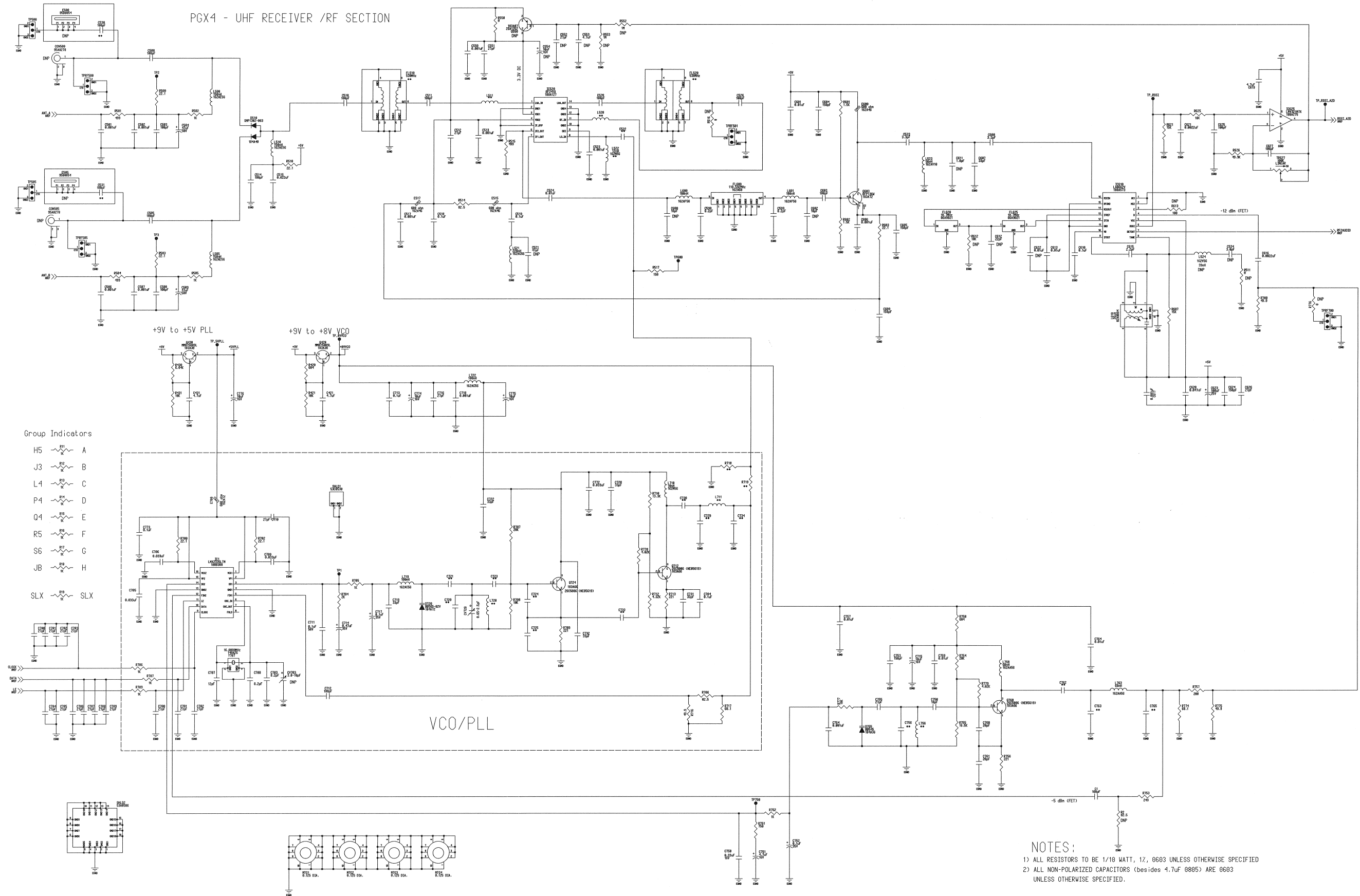


PGX4 RF SCHEMATIC

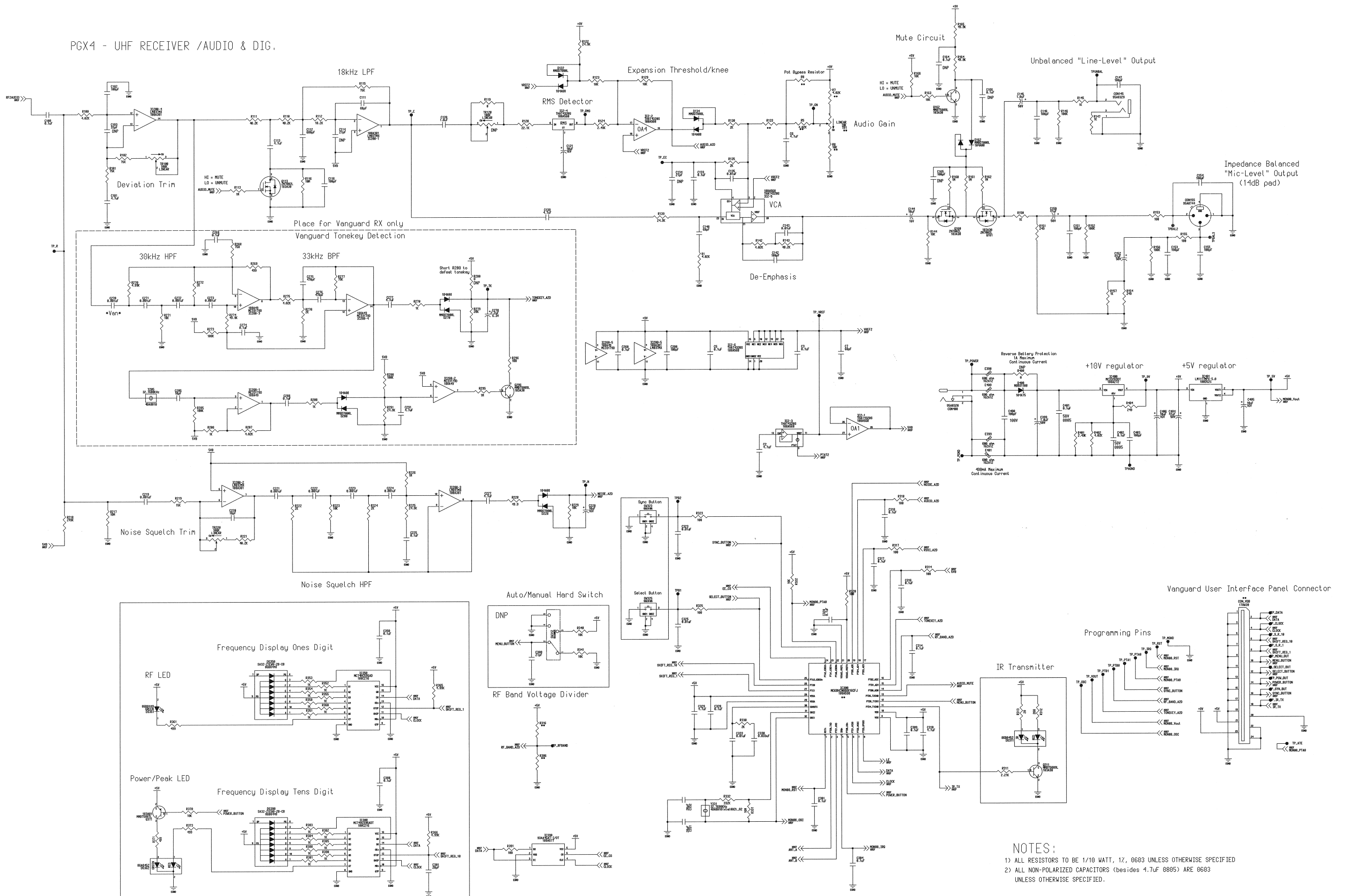
PGX4 - UHF RECEIVER /RF SECTION



- Group Indicators
- H5 A
 - J3 B
 - L4 C
 - P4 D
 - Q4 E
 - R5 F
 - S6 G
 - JB H
 - SLX SLX

NOTES:
 1) ALL RESISTORS TO BE 1/10 WATT, 1%, 0603 UNLESS OTHERWISE SPECIFIED
 2) ALL NON-POLARIZED CAPACITORS (besides 4.7μF 0805) ARE 0603 UNLESS OTHERWISE SPECIFIED.

PGX4 - UHF RECEIVER /AUDIO & DIG.



- NOTES:**
- 1) ALL RESISTORS TO BE 1/10 WATT, 1%, 0603 UNLESS OTHERWISE SPECIFIED
 - 2) ALL NON-POLARIZED CAPACITORS (besides 4.7uF 0805) ARE 0603 UNLESS OTHERWISE SPECIFIED.