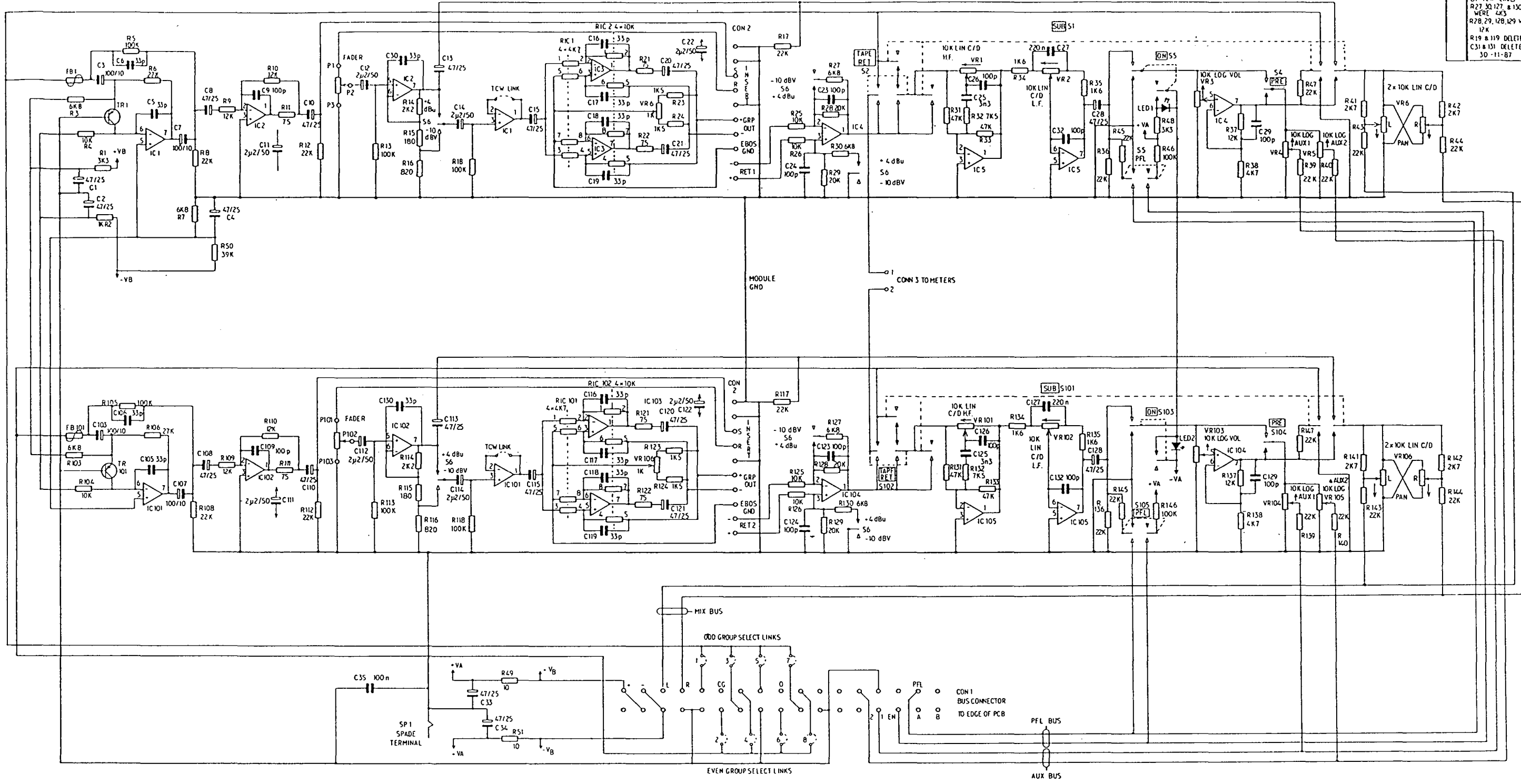


Issue 5
REDRAWN
24 - 7 - 85
ISSUE 6
COMPONENTS ADDED
7 - 8 - 85
ISSUE 7
R20 & R120 REPLACED
BY TCW LINKS
R27, R127 & R130
WERE 4K5
R28, 29, 128, 129 WERE
12K
R19 & R119 DELETED
C31 & C31 DELETED
30-11-87

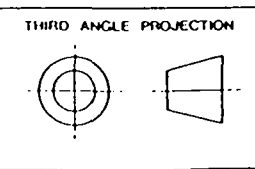


Soundcraft Electronics Limited own the copyright of this drawing which is not to be copied, reproduced or disclosed, in part or whole, to a third party without written permission.

NOTES.

HOLE INDEX.

TOLERANCE.
All Imperial dimensions ± 0.010
All metric dimensions $\pm 0.25mm$
All angles $\pm 0.50^\circ$
Unless otherwise stated.



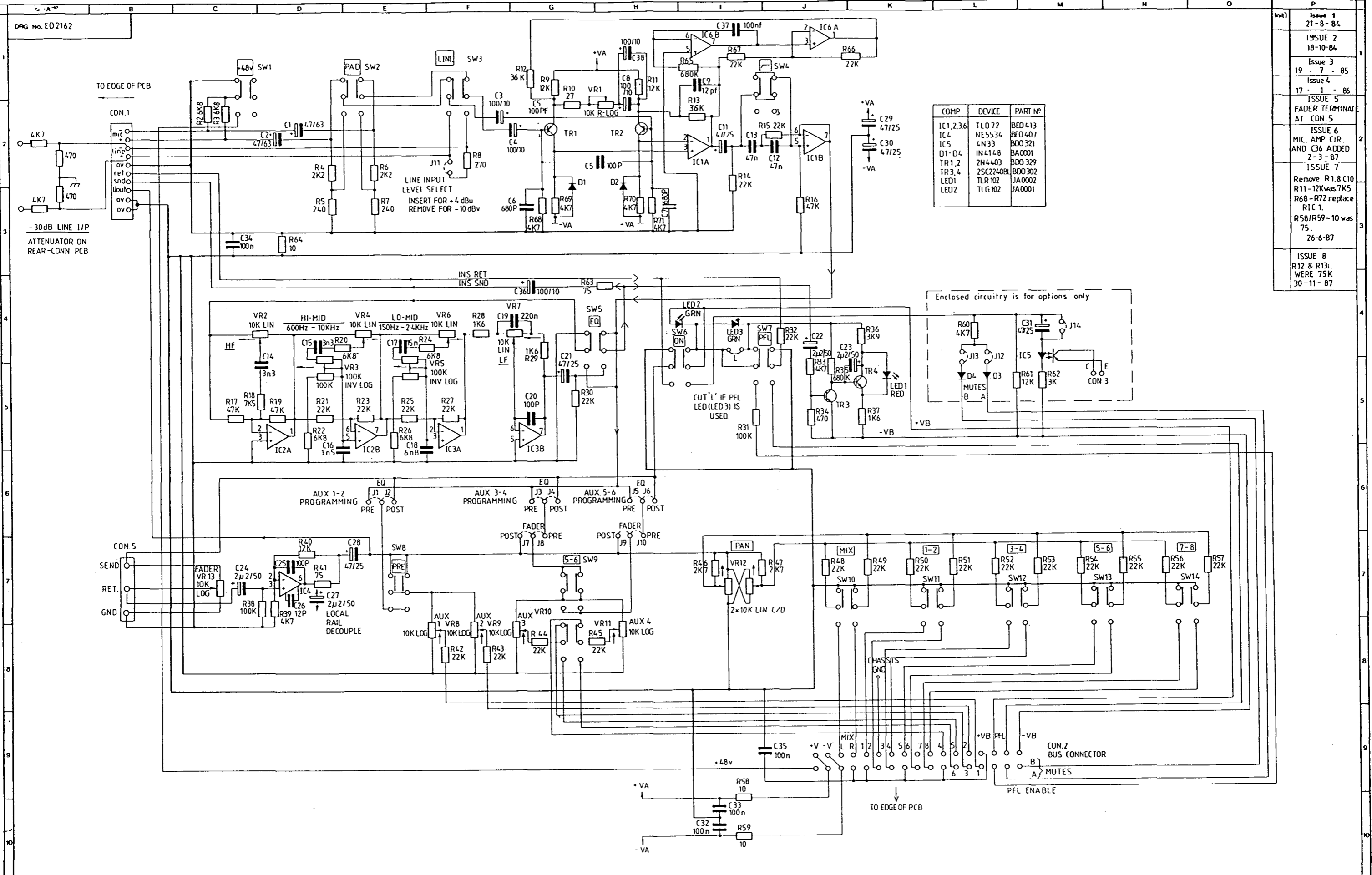
MATL.
FINISH.
SCALE.

DRG. CHRIS
TRCD.
CHKD.

SOUNDCRAFT ELECTRONICS LTD.
5-8 GREAT SUTTON STREET
LONDON, EC1V 0BX.
TELEPHONE. 01-251-3631/2/3
TELEGRAMS. SOUNDCRAFT LDN. EC1
TELEX. UK No. 21158. USA No 01-2203

TITLE. S500
STANDARD OIP

DRG No. ED 2176 1501453 15531



COMP	DEVICE	PART N°
IC1,2,3,6	TLO72	BED413
IC4	NE5534	BED407
IC5	4N33	BDD321
D1-D4	IN4148	BA0001
TR1,2	2N4403	BDD329
TR3,4	2SC2240B	BDD302
LED1	TLR102	JA0002
LED2	TLG102	JA0001

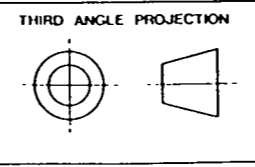
Issue	Date
Issue 1	21-8-84
Issue 2	18-10-84
Issue 3	19-7-85
Issue 4	17-1-86
Issue 5	FADER TERMINATE AT CON.5
Issue 6	ISSUE 6 MIC. AMP CIR. AND C36 ADDED 2-3-87
Issue 7	Remove R1.8 C10 R11-12K was 7K5 R68-R72 replace R1C1. R58/R59-10 was 75. 26-6-87
Issue 8	R12 & R13: WERE 75K 30-11-87

Soundcraft Electronics Limited own the copyright of this drawing which is not to be copied, reproduced or disclosed, in part or whole, to a third party without written permission.

NOTES. ALL CONNECTORS VIEWED FROM COMPONENT SIDE OF PCB

HOLE INDEX.

TOLERANCE. All imperial dimensions ±0.010 All metric dimensions ±0.25mm All angles ±0.5° Unless otherwise stated.

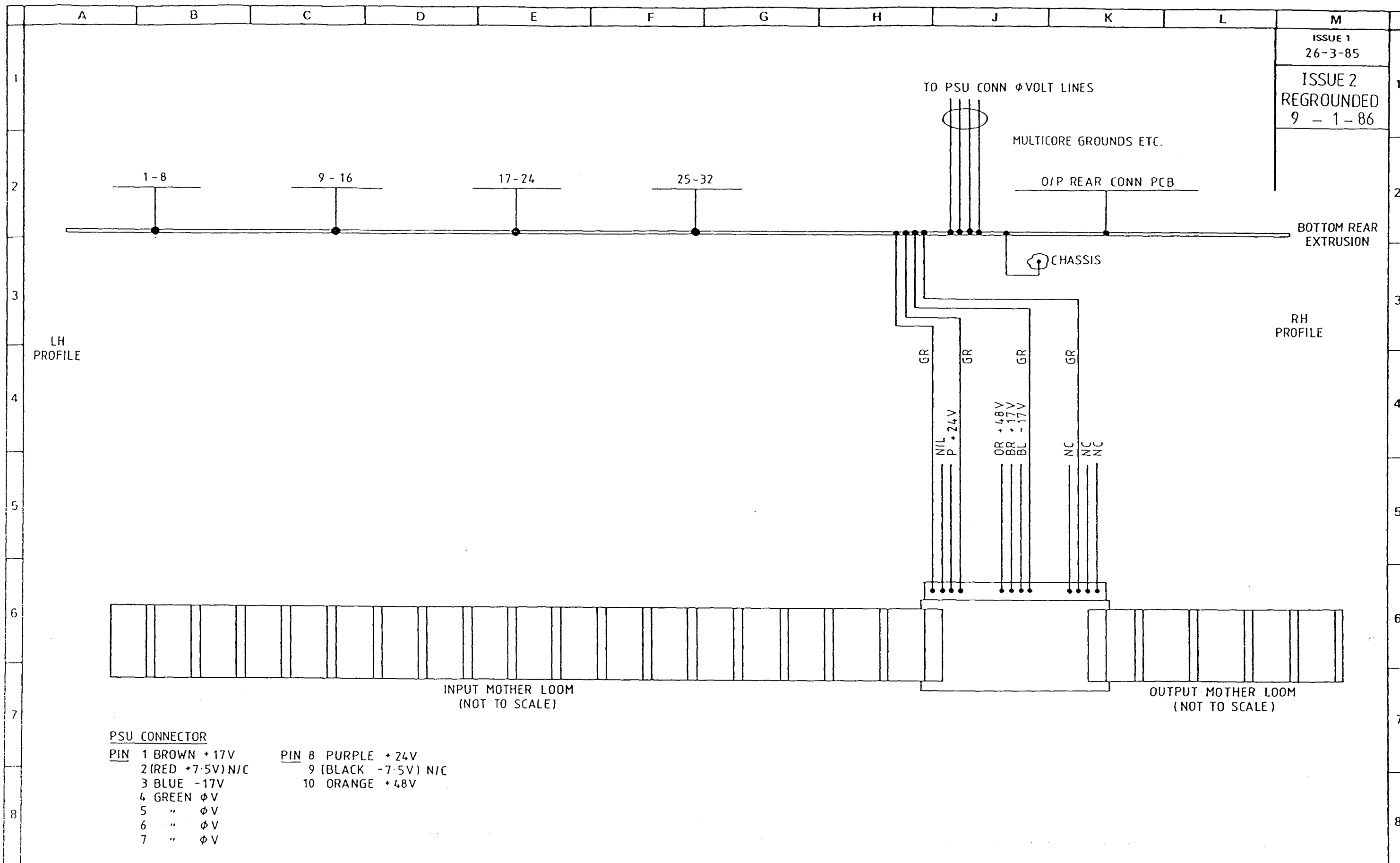


MATL. _____ FINISH. _____ SCALE. _____

DRG. _____ TRCD. Sharon CHKD. _____

SOUNDCRAFT ELECTRONICS LTD. 5-8 GREAT SUTTON STREET LONDON. EC4V. 0BX. TELEPHONE. 01-251-3631/2/3 TELEGRAMS. SOUNDCRAFT LDN. EC1 TELEX. UK No. 21198. USA No. 01-2203

TITLE. S5001600 STD I/P CIRCUIT DIAGRAM DRG No. ED2162



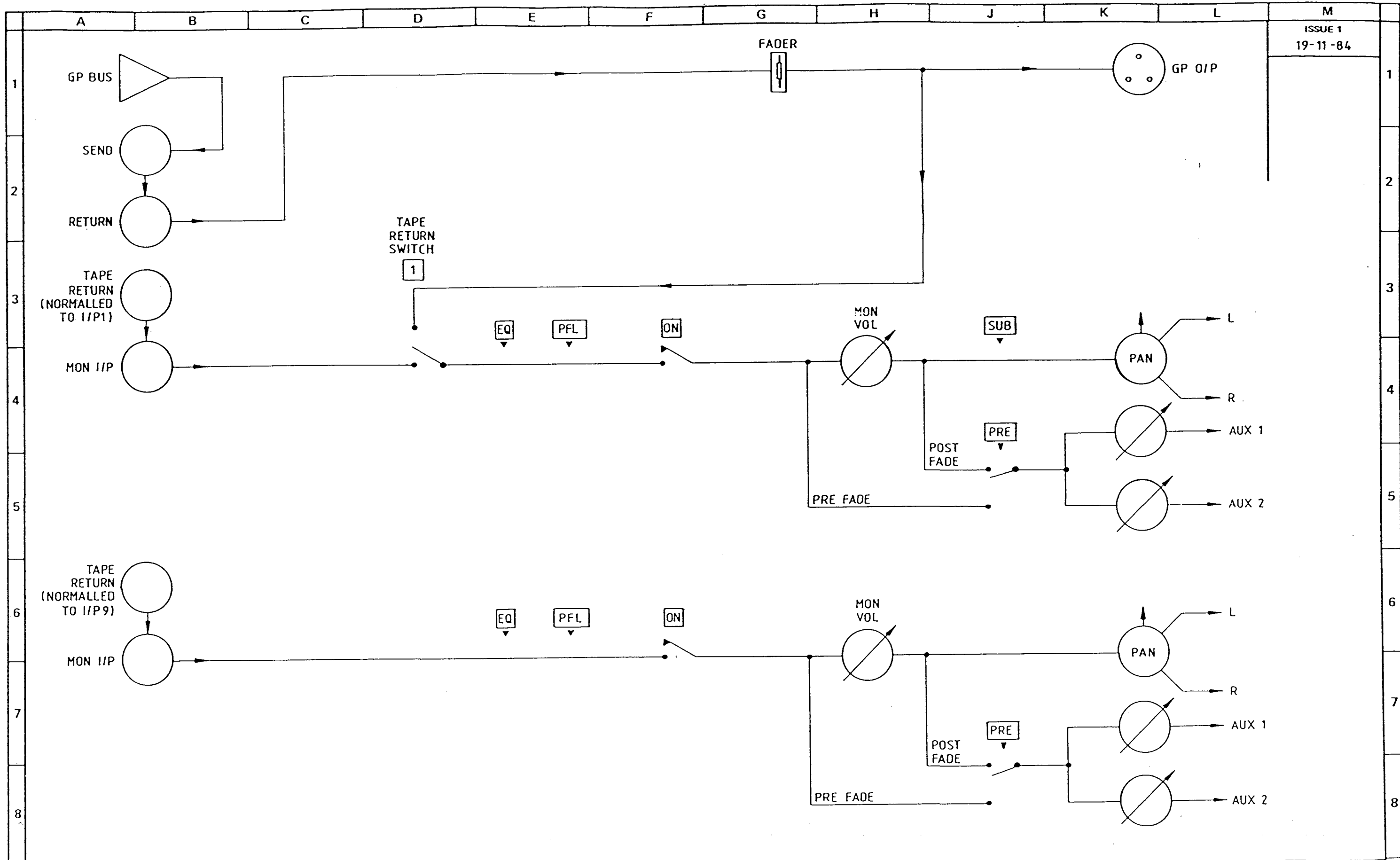
ISSUE 1
26-3-85

ISSUE 2
REGROUNDED
9-1-86

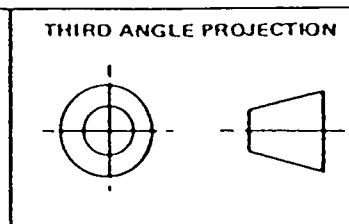
PSU CONNECTOR

- | | |
|-------------------|---------------------|
| PIN 1 BROWN +17V | PIN 8 PURPLE +24V |
| 2 (RED +7.5V) N/C | 9 (BLACK -7.5V) N/C |
| 3 BLUE -17V | 10 ORANGE +48V |
| 4 GREEN φV | |
| 5 " φV | |
| 6 " φV | |
| 7 " φV | |

<p>THIRD ANGLE PROJECTION</p>	<p>TOLERANCE</p> <p>All imperial dimensions ± 0.010</p> <p>All metric dimensions ± 0.25mm</p> <p>All angles ± 0.50°</p> <p>Unless otherwise stated</p>	<p>HOLE INDEX</p>	MATL	DRN	<p>SOUNDCRAFT ELECTRONICS LTD</p> <p>5-8 GREAT SUTTON STREET</p> <p>LONDON EC1V 0BX.</p> <p>TELEPHONE. 01-251-3631/2/3</p> <p>TELEGRAMS. SOUNDCRAFT LDN EC1</p> <p>TELEX. UK. No. 21198. USA. No. 224408</p>	TITLE
			FINISH	TRCD		<p>S500/600</p> <p>CONSOLE WIRING</p> <p>DIAGRAM</p>
			SCALE	CHKD		



ISSUE 1
19-11-84



TOLERANCE
 All Imperial dimensions ± 0.010
 All metric dimensions $\pm 0.25\text{mm}$
 All angles $\pm 0.50^\circ$
 Unless otherwise stated

HOLE INDEX

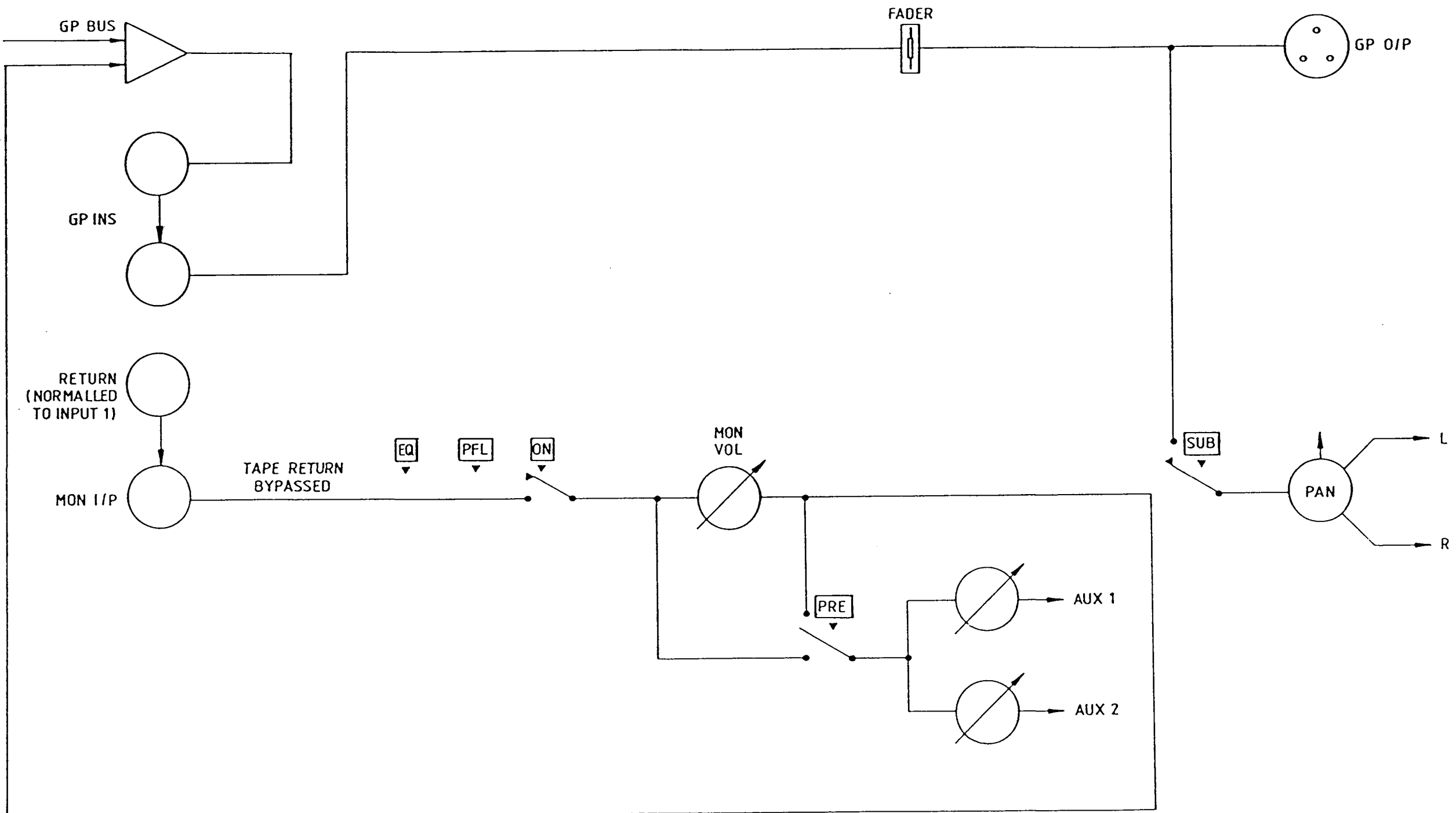
MATL	DRN
FINISH	TRCD <i>Curly</i>
SCALE	CHKD

SOUNDCRAFT ELECTRONICS LTD
 5-8 GREAT SUTTON STREET
 LONDON EC1V 0BX.
 TELEPHONE. 01-251-3831/2/3
 TELEGRAMS. SOUNDCRAFT LON ECT
 TELEX. UK. No. 21198. USA. No. 224408

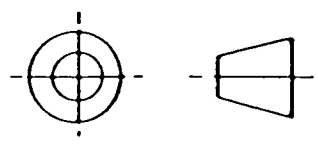
TITLE
 S600
 GROUP OUTPUT MODULE
 WITHOUT 'SUB' BUTTON IN
 DRG. No. ED 2213

A B C D E F G H J K L M

ISSUE 1
19-11-84



THIRD ANGLE PROJECTION



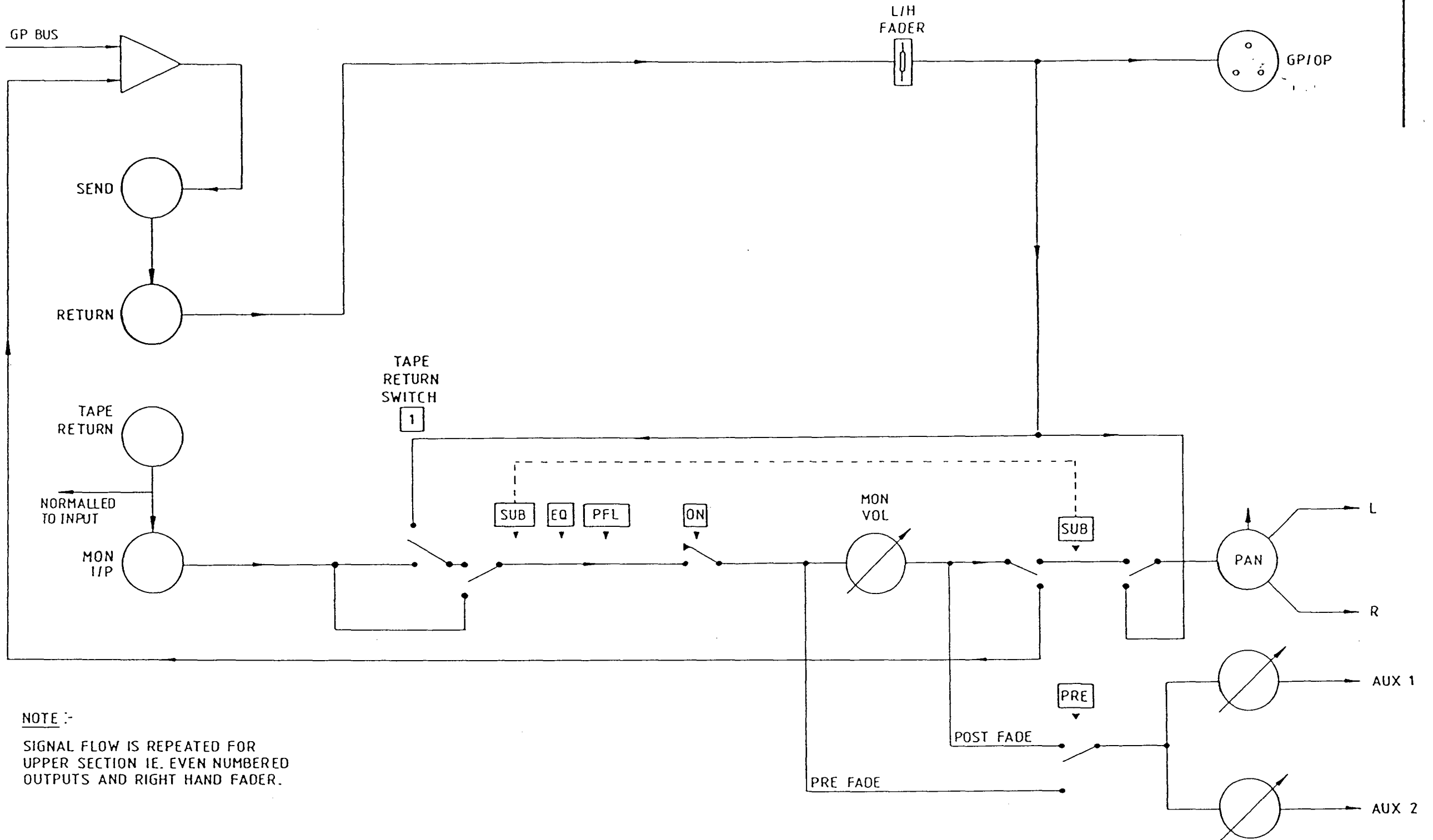
TOLERANCE
All imperial dimensions ± 0.010
All metric dimensions $\pm 0.25\text{mm}$
All angles $\pm 0.50^\circ$
Unless otherwise stated

NOTES
FOR CLARITY TAPE RETURN
9 NOT SHOWN, SEE ED 2213

MATL	DRN
FINISH	TRCD <i>Culver</i>
SCALE	CHKD

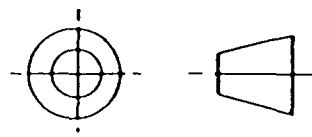
SOUNDCRAFT ELECTRONICS LTD
5-8 GREAT SUTTON STREET
LONDON EC1V 0BX.
TELEPHONE. 01-251-3631/2/3
TELEGRAMS. SOUNDCRAFT LON EC1
TELEX. UK. No. 21198. USA. No. 224408

TITLE
S600
GROUP OUTPUT MODULE
WITH 'SUB' BUTTON IN
ORG. No. ED 2214



NOTE :-
SIGNAL FLOW IS REPEATED FOR
UPPER SECTION IE. EVEN NUMBERED
OUTPUTS AND RIGHT HAND FADER.

THIRD ANGLE PROJECTION



TOLERANCE

All imperial dimensions ± 0.010
All metric dimensions $\pm 0.25\text{mm}$
All angles $\pm 0.50^\circ$
Unless otherwise stated

HOLE INDEX

MATL

FINISH

SCALE

DRN

TRCD

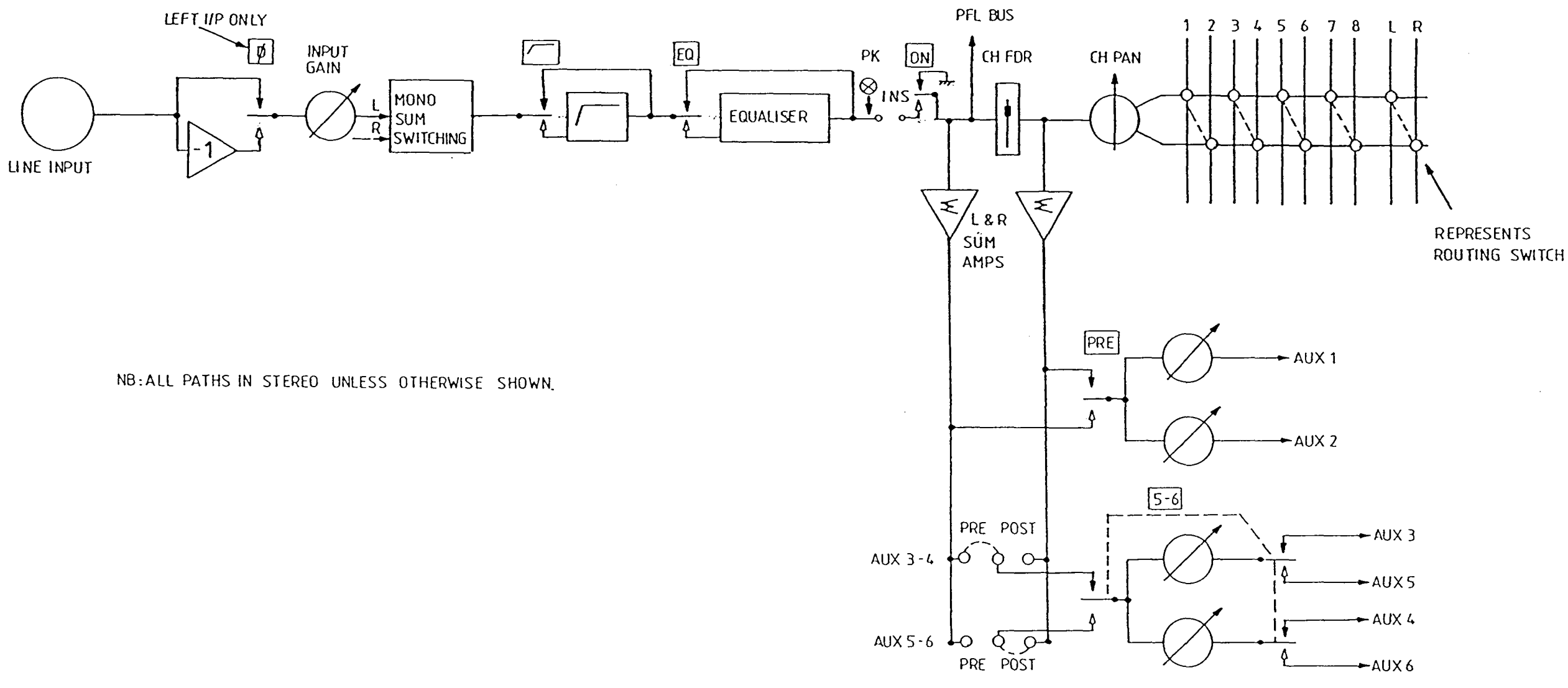
CHKD

SOUNDCRAFT ELECTRONICS LTD
5-8 GREAT SUTTON STREET
LONDON EC1V 0BX.
TELEPHONE. 01-251-3631/2/3
TELEGRAMS. SOUNDCRAFT LDN EC1
TELEX. UK. No. 21198. USA. No. 224408

TITLE

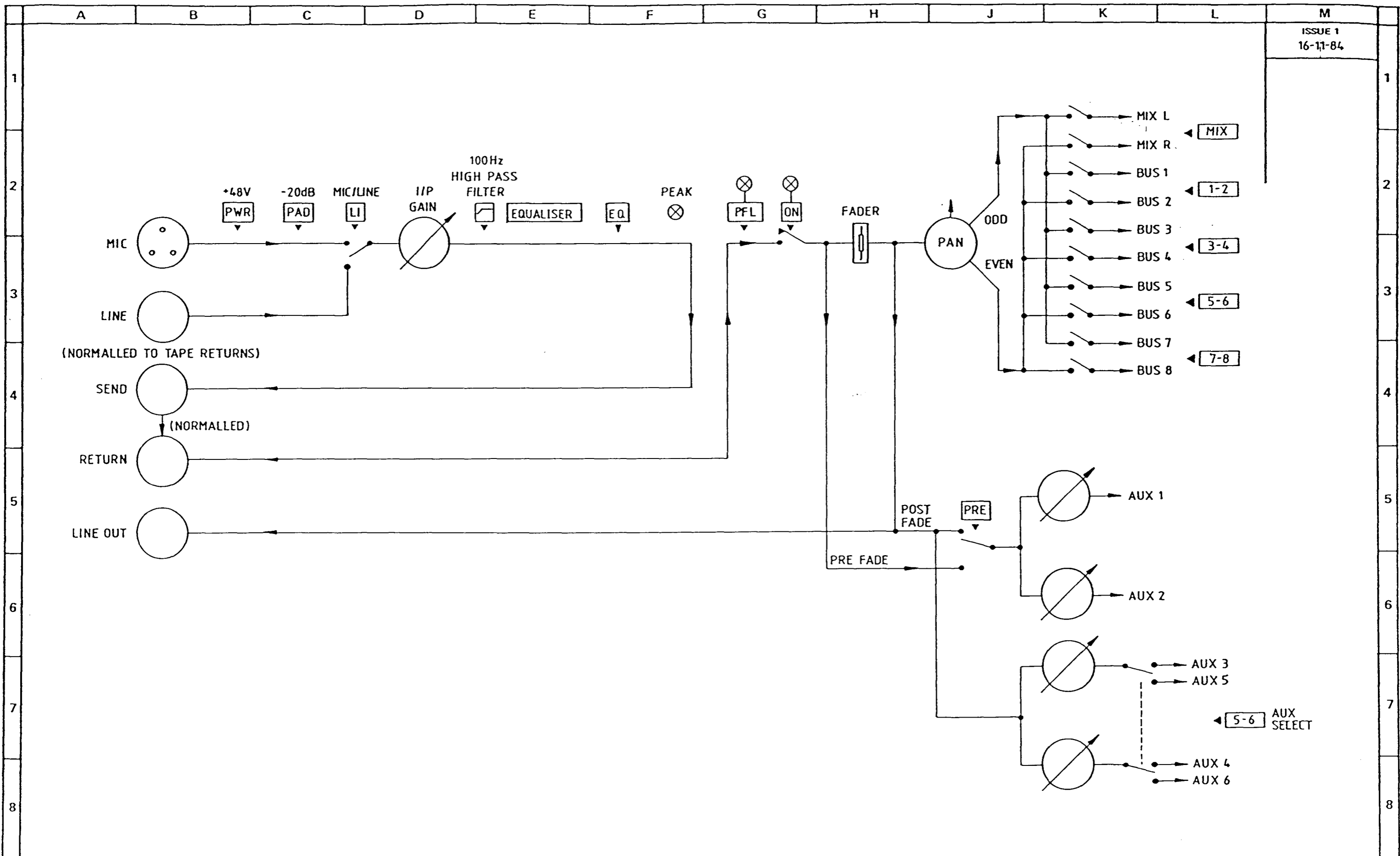
500
GROUP OUTPUT
MODULE SIGNAL FLOW DIA

DRG. No. ED 2215

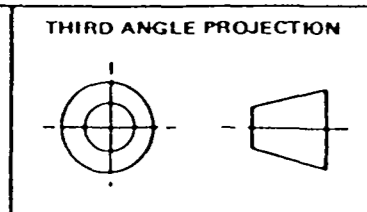


NB: ALL PATHS IN STEREO UNLESS OTHERWISE SHOWN.

<p>TOLERANCES HOLE SIZES AFTER PAINTING</p> <table border="1"> <tr><td>0-3mm</td><td>+ 0.10</td></tr> <tr><td></td><td>- 0.00</td></tr> <tr><td>OVER 3-6mm</td><td>+ 0.12</td></tr> <tr><td></td><td>- 0.00</td></tr> <tr><td>OVER 6-10mm</td><td>+ 0.15</td></tr> <tr><td></td><td>- 0.00</td></tr> <tr><td>OVER 10-18mm</td><td>+ 0.18</td></tr> <tr><td></td><td>- 0.00</td></tr> <tr><td>OVER 18-25mm</td><td>+ 0.21</td></tr> <tr><td></td><td>- 0.00</td></tr> <tr><td>OVER 25mm</td><td>+ 0.25</td></tr> <tr><td></td><td>- 0.00</td></tr> </table>	0-3mm	+ 0.10		- 0.00	OVER 3-6mm	+ 0.12		- 0.00	OVER 6-10mm	+ 0.15		- 0.00	OVER 10-18mm	+ 0.18		- 0.00	OVER 18-25mm	+ 0.21		- 0.00	OVER 25mm	+ 0.25		- 0.00	<p>GENERAL TOLERANCE Delete where not applicable.</p> <table border="1"> <tr><td>± 0.60mm (0.020")</td></tr> <tr><td>± 0.25mm (0.010")</td></tr> <tr><td>± 0.12mm (0.005")</td></tr> <tr><td>HOLE CENTRES ± 0.004"</td></tr> <tr><td>ALL ANGLES ± 0.60°</td></tr> <tr><td>Unless otherwise stated.</td></tr> </table>	± 0.60mm (0.020")	± 0.25mm (0.010")	± 0.12mm (0.005")	HOLE CENTRES ± 0.004"	ALL ANGLES ± 0.60°	Unless otherwise stated.	<p>HOLE INDEX</p> <table border="1"> <tr><td><input type="checkbox"/></td></tr> <tr><td><input type="checkbox"/></td></tr> <tr><td><input type="checkbox"/></td></tr> <tr><td><input type="checkbox"/></td></tr> <tr><td><input type="checkbox"/></td></tr> </table>	<input type="checkbox"/>	<input type="checkbox"/>	<input type="checkbox"/>	<input type="checkbox"/>	<input type="checkbox"/>	<p>MATL</p> <p>FINISH</p> <p>SCALE</p> <p>THIRD ANGLE PROJECTION THIS DRAWING TO COMPLY TO BS308.</p>	<p>DRN AB</p> <p>TRCD</p> <p>CHKD <i>G. J. Jones</i></p>	<p>SOUNDCRAFT ELECTRONICS LTD UNIT 2, BOREHAMWOOD INDUSTRIAL PARK, ROWLEY LANE, BOREHAMWOOD, HERTFORDSHIRE WD8 5PZ. TELEPHONE: 01-207-5050 FACSIMILE No. 2070194</p>	<p>TITLE S500/600 STEREO I/P SIGNAL FLOW DIAG.</p> <p>DRG No. ED 2326</p>
0-3mm	+ 0.10																																								
	- 0.00																																								
OVER 3-6mm	+ 0.12																																								
	- 0.00																																								
OVER 6-10mm	+ 0.15																																								
	- 0.00																																								
OVER 10-18mm	+ 0.18																																								
	- 0.00																																								
OVER 18-25mm	+ 0.21																																								
	- 0.00																																								
OVER 25mm	+ 0.25																																								
	- 0.00																																								
± 0.60mm (0.020")																																									
± 0.25mm (0.010")																																									
± 0.12mm (0.005")																																									
HOLE CENTRES ± 0.004"																																									
ALL ANGLES ± 0.60°																																									
Unless otherwise stated.																																									
<input type="checkbox"/>																																									
<input type="checkbox"/>																																									
<input type="checkbox"/>																																									
<input type="checkbox"/>																																									
<input type="checkbox"/>																																									



ISSUE 1
16-11-84



TOLERANCE
All imperial dimensions ± 0.010
All metric dimensions $\pm 0.25\text{mm}$
All angles $\pm 0.50^\circ$
Unless otherwise stated

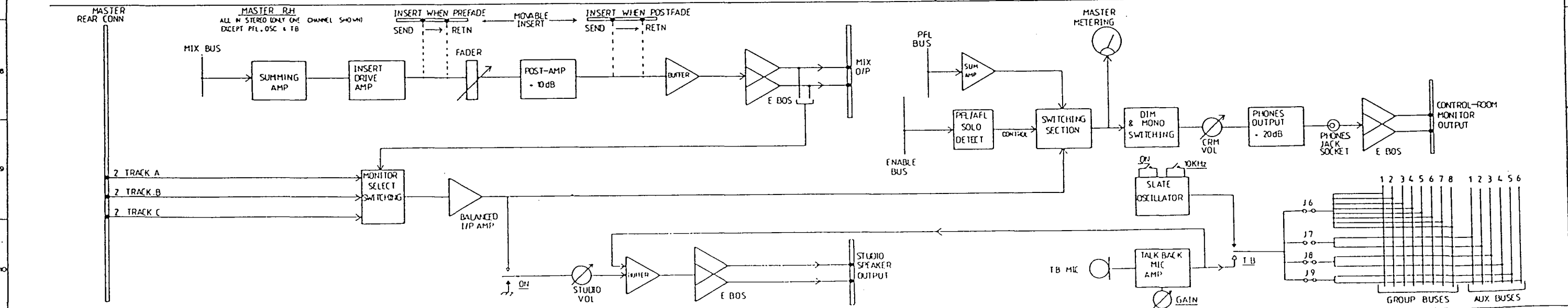
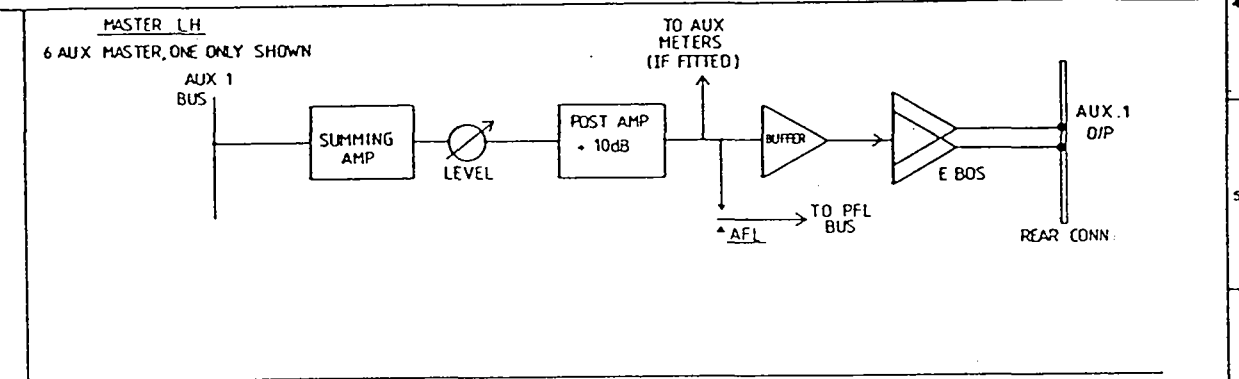
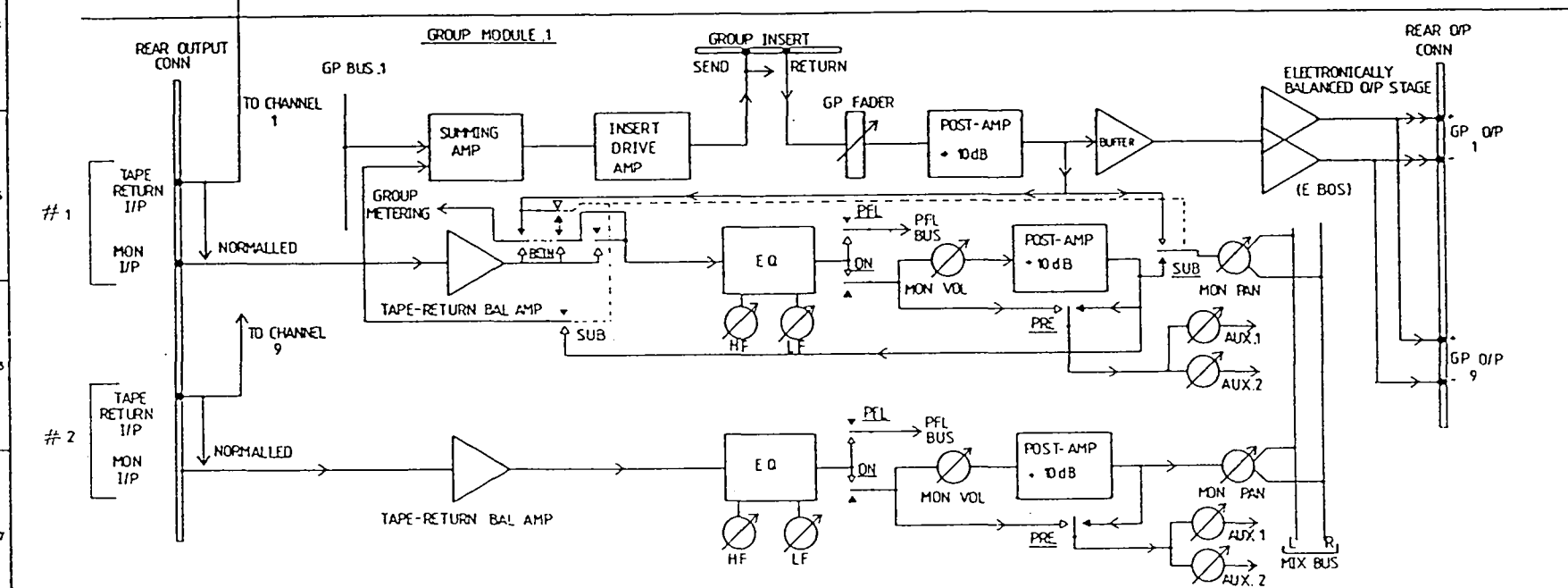
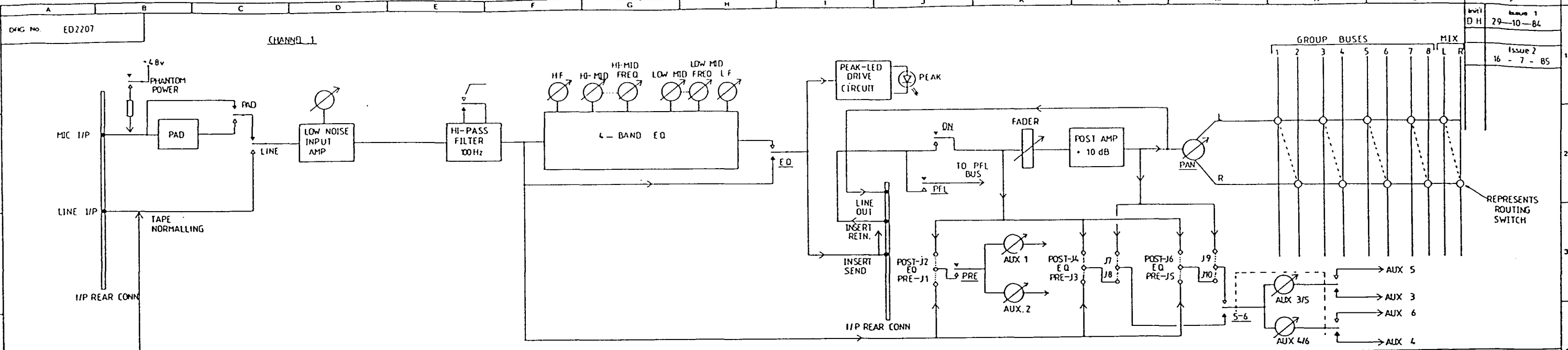
HOLE INDEX

MATL
FINISH
SCALE

DRN
TRCD
CHKD

SOUNDCRAFT ELECTRONICS LTD
5-8 GREAT SUTTON STREET
LONDON EC1V 0BX.
TELEPHONE. 01-251-3631/2/3
TELEGRAMS. SOUNDCRAFT LDN EC1
TELEX. UK. No. 21198. USA. No. 224408

TITLE S500 1600
INPUT MODULE
(SIGNAL FLOW)
DRG. No. ED 2212



Soundcraft Electronics Limited own the copyright of this drawing which is not to be copied, reproduced or disclosed, in part or whole, to a third party without written permission.

NOTES.
DETAILS OF GAIN-SWITCHING NOT SHOWN

HOLE INDEX

TOLERANCE.
All imperial dimensions ±0.010
All metric dimensions ±0.25mm
All angles ±0.50°
Unless otherwise stated

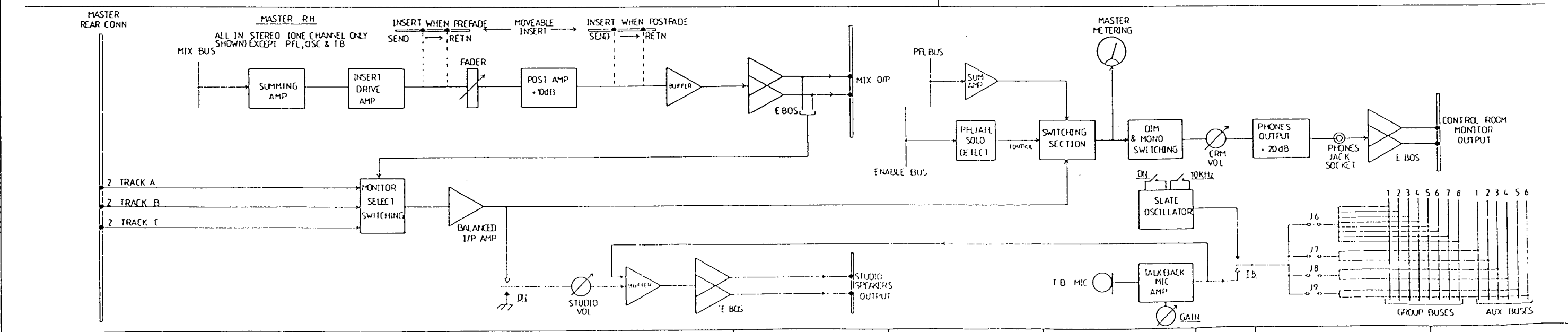
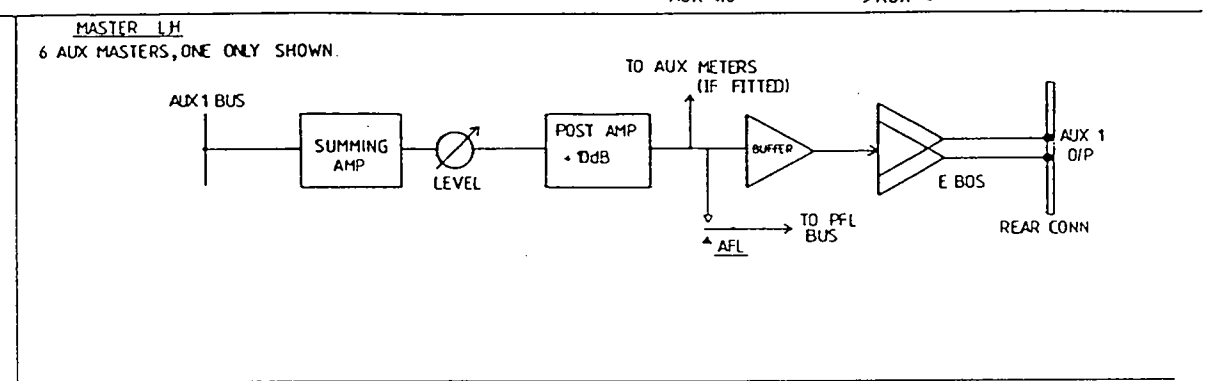
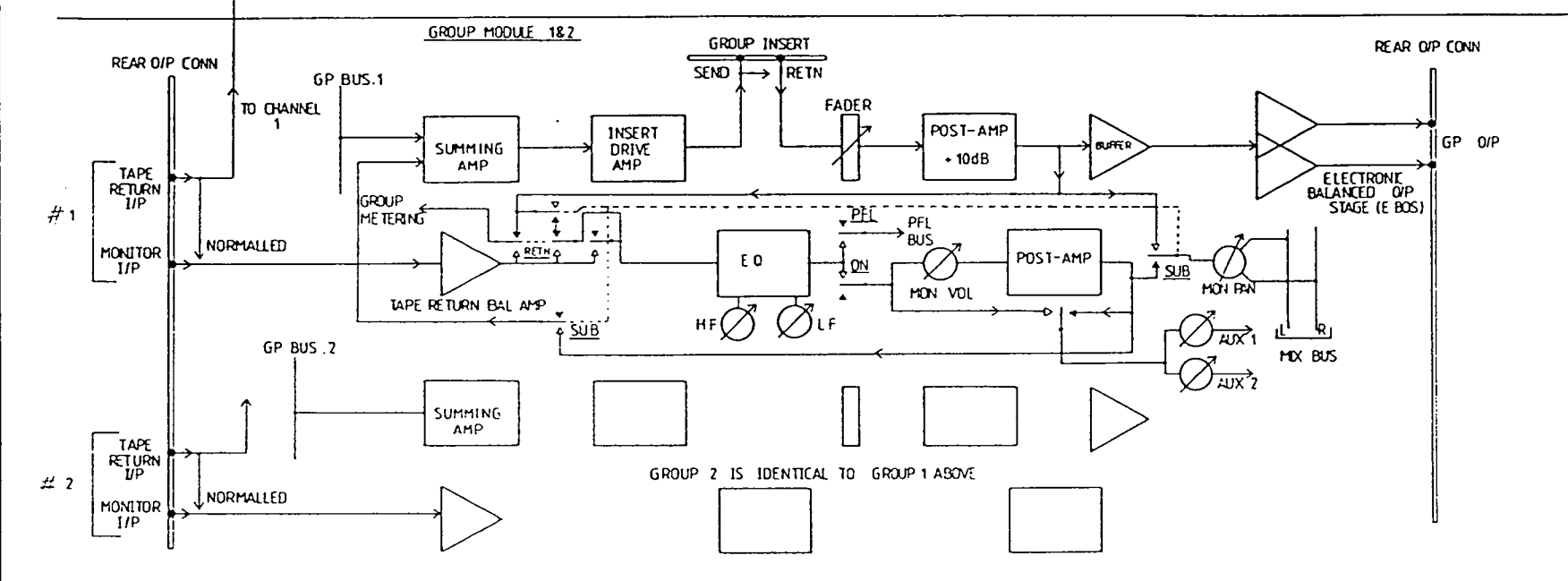
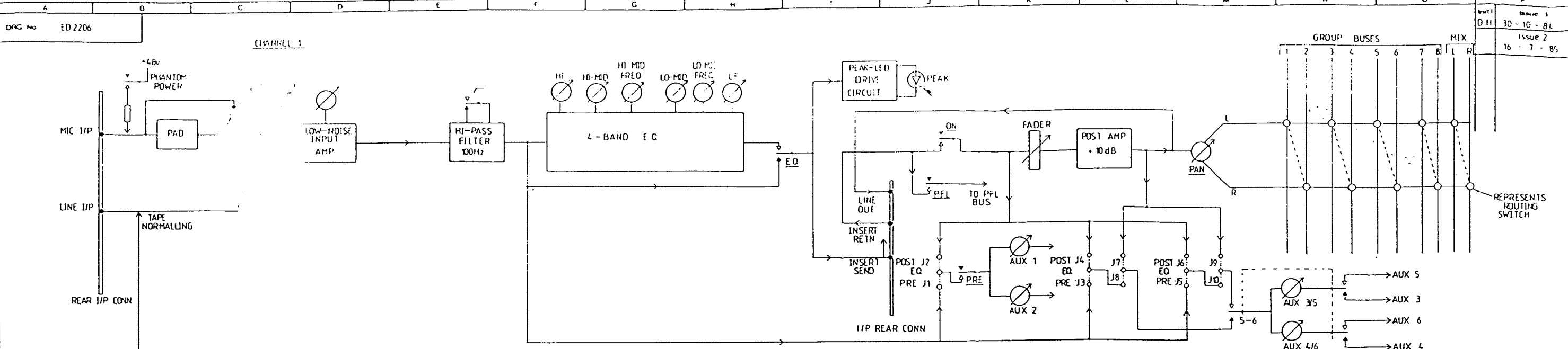
THIRD ANGLE PROJECTION

MATL.
FINISH.
SCALE.

DWG. (1)H
TICD.
CHKD.

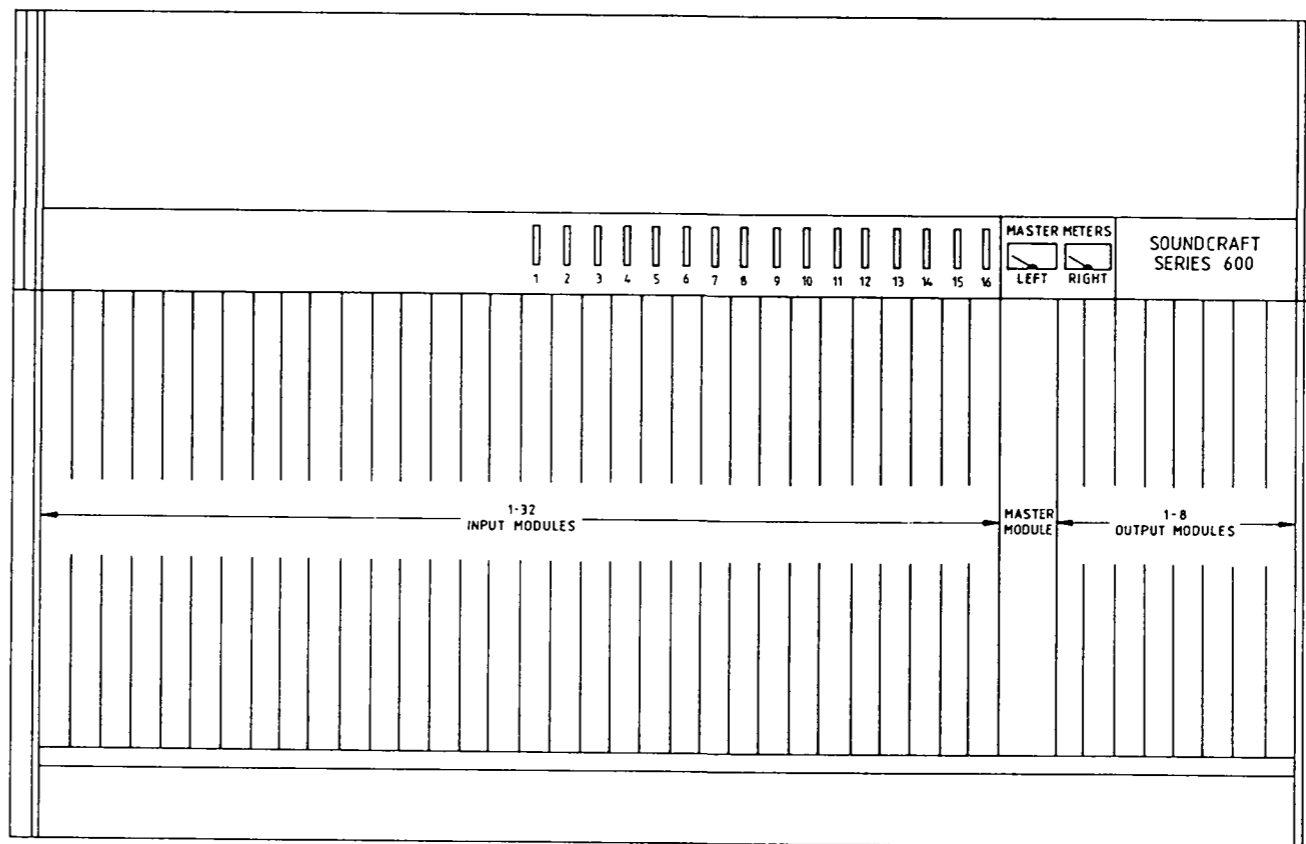
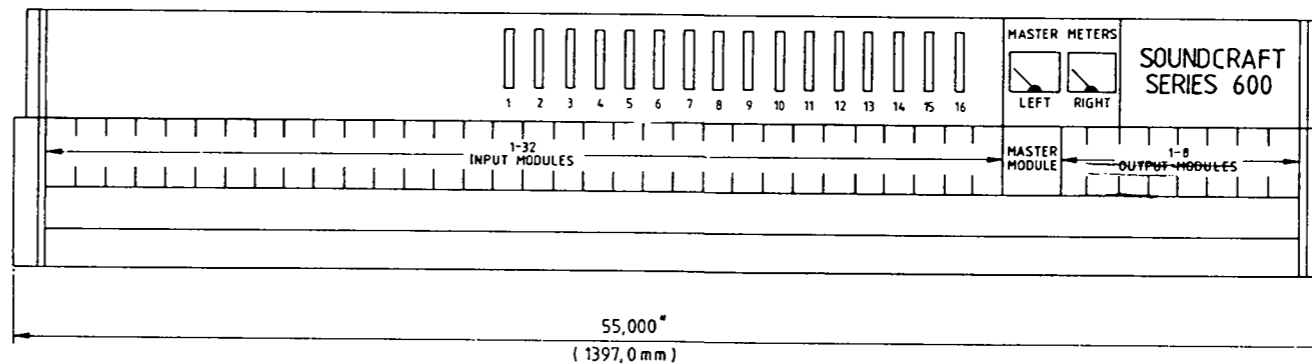
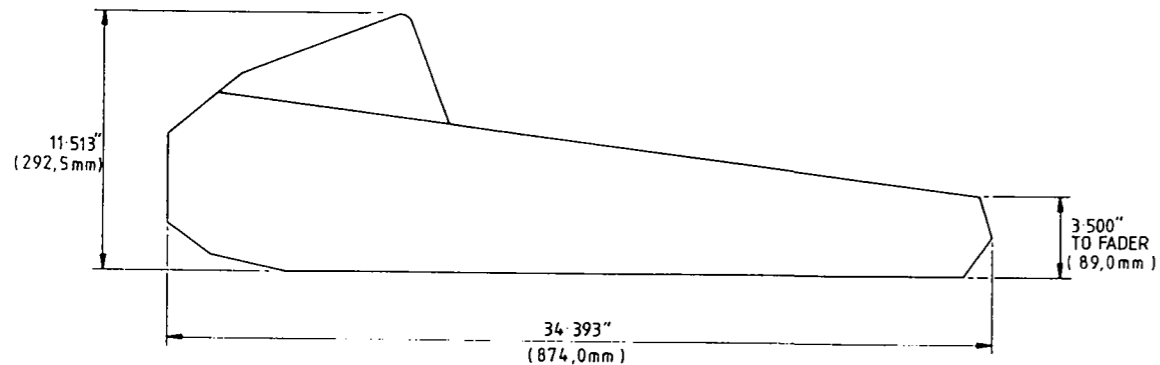
SOUNDCRAFT ELECTRONICS LTD.
5-8 GREAT SUTTON STREET
LONDON, EC1V 0DU.
TELEPHONE: 01-251-3031/2/3
TELEGRAMS: SOUNDCRAFT LDM EC1
TELEX: UK No. 21198, USA No. 01-2703

TITLE. S600
BLOCK DIAGRAM.
DWG No. ED2207



<p>Soundcraft Electronics Limited own the copyright of this drawing which is not to be copied, reproduced or disclosed, in part or whole, to a third party without written permission.</p>	<p>NOTES DETAILS OF GAIN SWITCHING NOT SHOWN</p>	<p>HOLE INDEX</p>	<p>TOLERANCE All imperial dimensions ± 0.010 All metric dimensions $\pm 0.25mm$ All angles $\pm 0.50^\circ$ Unless otherwise stated</p>	<p>THIRD ANGLE PROJECTION</p>	<p>MATERIAL FRESH SCALE</p>	<p>ORG DH TRCD CHKD</p>	<p>SOUNDSCRAFT ELECTRONICS LTD 5-8 GREAT SUTTON STREET LONDON EC1V 0BR TELEPHONE 01-251-3631/2/3 TELEGRAMS: SOUNDSCRAFT LON EC1 TELEX (UK) NO 2119H USA NO 01-2203</p>	<p>TITLE S500 BLOCK DIAGRAM ENG NO ED 2206</p>
--	---	--------------------------	---	--------------------------------------	--	--	--	--

Issue 1	4-6-85
Issue 2	LENGTHS CHANGED TO 16 I/P 45 INCH. 24 I/P 55 INCH. 32 I/P 65 INCH. 40 I/P 75 INCH. 16-7-87
Issue 3	LENGTHS CHANGED TO 16 I/P 35 INCH. 24 I/P 45 INCH. 32 I/P 55 INCH. 40 I/P 65 INCH. 23-6-89

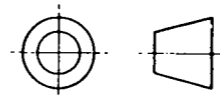


NOTES.
16 I/P LENGTH = 35.000" (889.0mm)
24 I/P LENGTH = 45.000" (1143.0mm)
40 I/P LENGTH = 65.000" (1651.0mm)

HOLE INDEX.

TOLERANCE.
All imperial dimensions ± 0.010
All metric dimensions $\pm 0.25mm$
All angles $\pm 0.50^\circ$
Unless otherwise stated.

THIRD ANGLE PROJECTION



MATL. _____

FINISH. _____

SCALE. _____

DRG. *Colin Hamilton*
TRCD. _____
CHKD. _____

SOUNDCRAFT ELECTRONICS LTD.
5-8 GREAT SUTTON STREET
LONDON, EC IV, OBX.
TELEPHONE. 01-251-3631/2/3
TELEGRAMS. SOUNDCRAFT LDN, EC1
TELEX. UK No. 21198. USA No. 01-2203

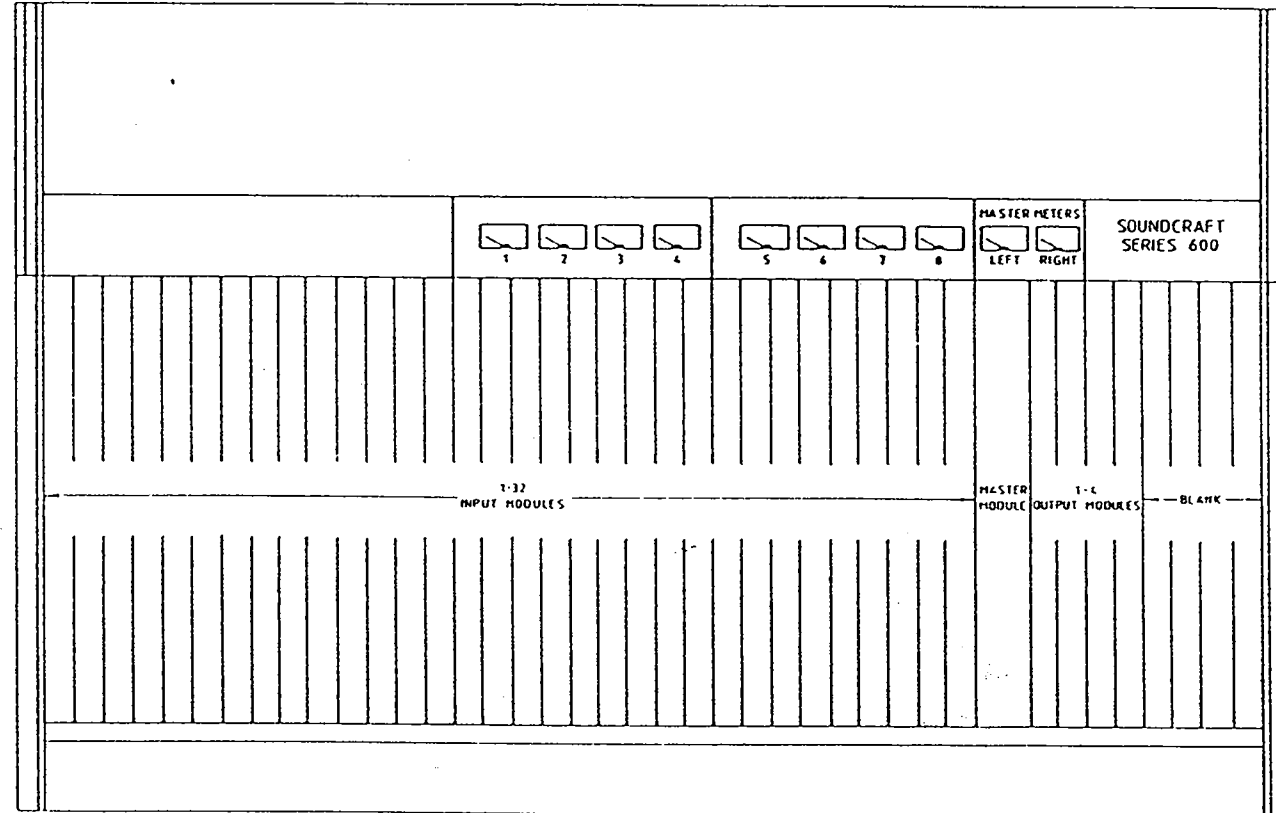
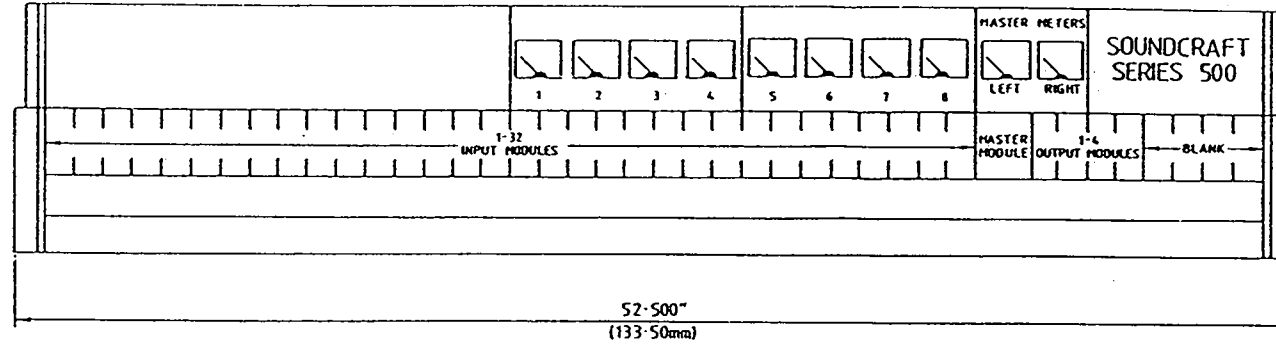
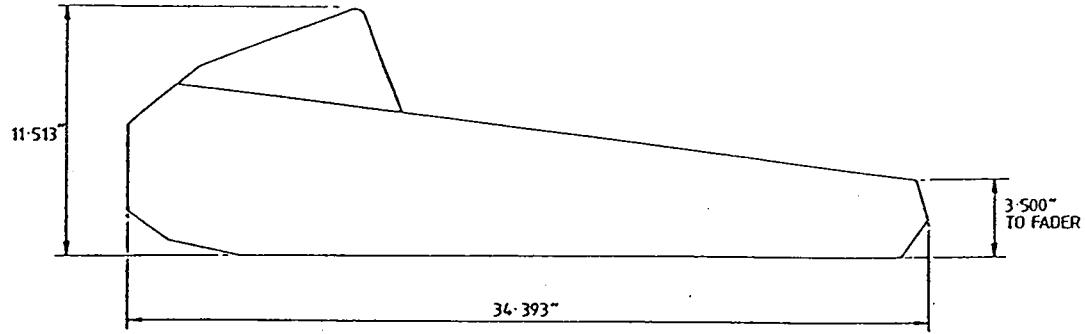
TITLE.
S600
CONSOLE SCHEMATIC
LAYOUT

DRG No. MI 2438

Soundcraft Electronics Limited
own the copyright of this drawing
which is not to be copied, reproduced
or disclosed, in part or whole, to a
third party without written permission.

ORG No. M12437

Issue 1
4-4-85
Issue 2
21-11-86



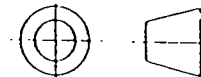
Soundcraft Electronics Limited
own the copyright of this drawing
which is not to be copied, reproduced
or disclosed, in part or whole, to a
third party without written permission.

NOTES.
16 I/P LENGTH = 825.50mm
24 I/P LENGTH = 1079.50mm

HOLE INDEX.

TOLERANCE.
All imperial dimensions ± 0.010
All metric dimensions $\pm 0.25mm$
All angles $\pm 0.50^\circ$
Unless otherwise stated

THIRD ANGLE PROJECTION



MATL.

FINISH.

SCALE.

ENG.

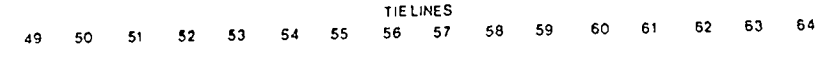
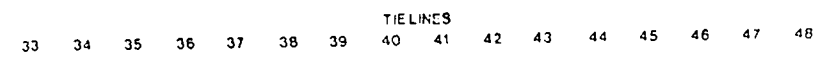
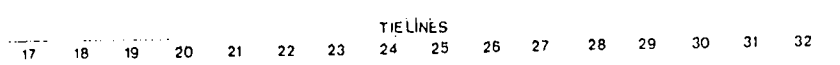
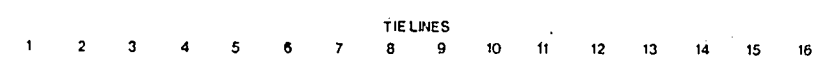
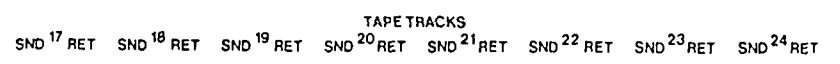
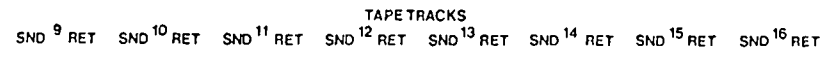
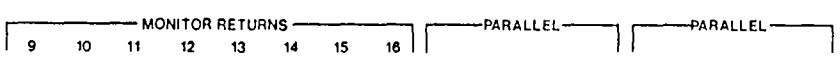
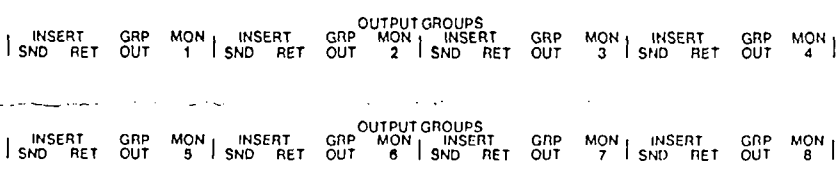
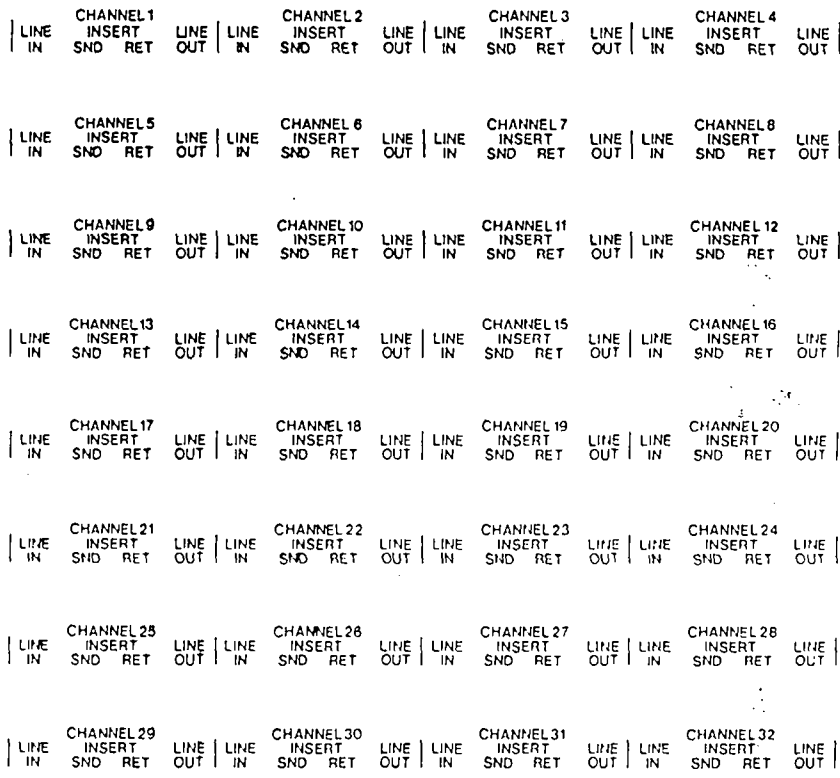
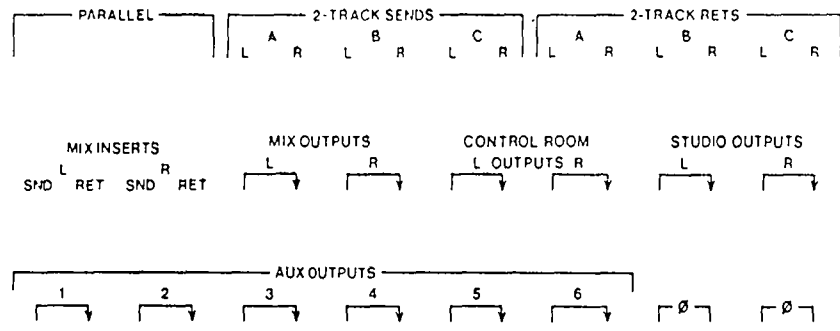
TRCD.

CHKD.

SOUNDCRAFT ELECTRONICS LTD.
5-8 GREAT SUTTON STREET
LONDON, EC IV 0BK.
TELEPHONE: 01-751-3631/2/3
TELEGRAMS: SOUNDCRAFT LON EC1
TELEX UK 44 21198 USA No 01-2703

TITLE.
S500
CONSOLE SCHEMATIC
LAYOUT

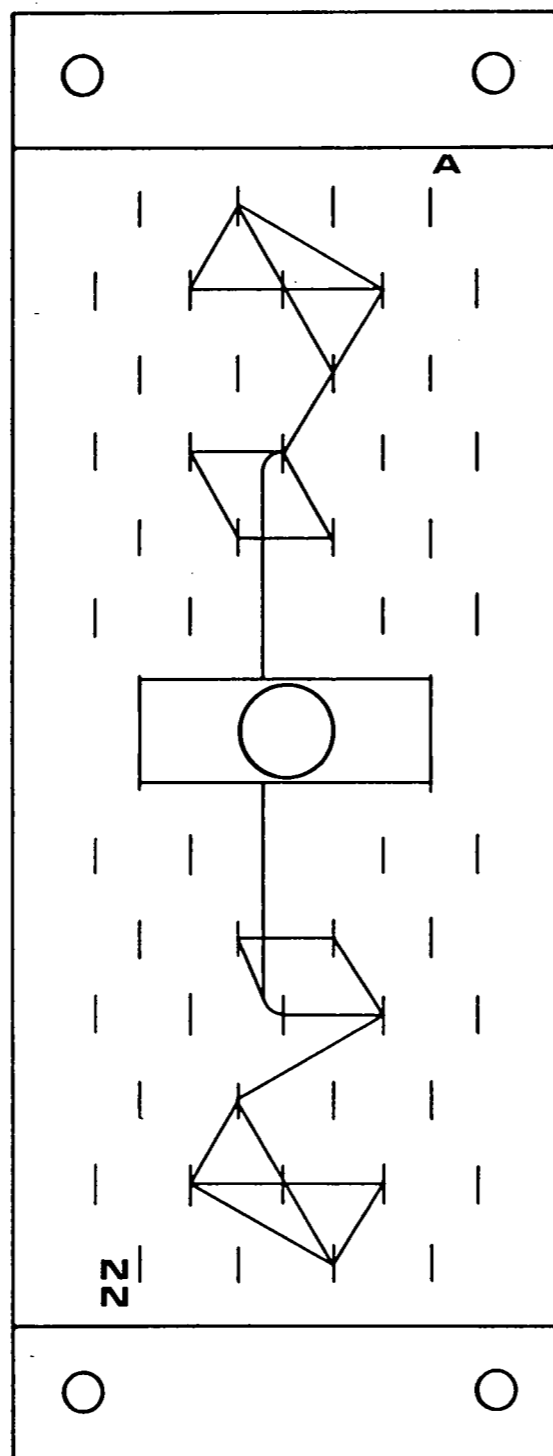
ORG No. MF 2437



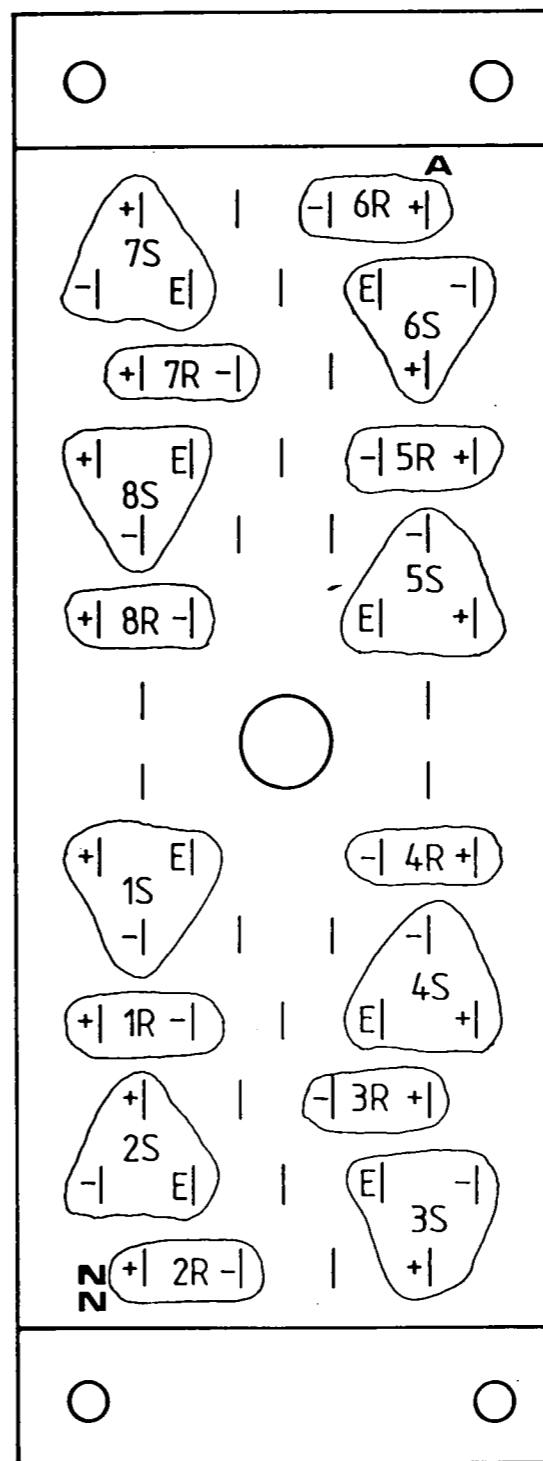
SONARDAFFILE (1) PHONES 110
 UNIT 2
 BOSE HANDED (1) AND PARK
 REFERENCE
 HETS NO. 521
 DT 107 5000
 PLS. IN 277198

TITLE
 5000
 PATRIOTIC PARK

TRON



GND

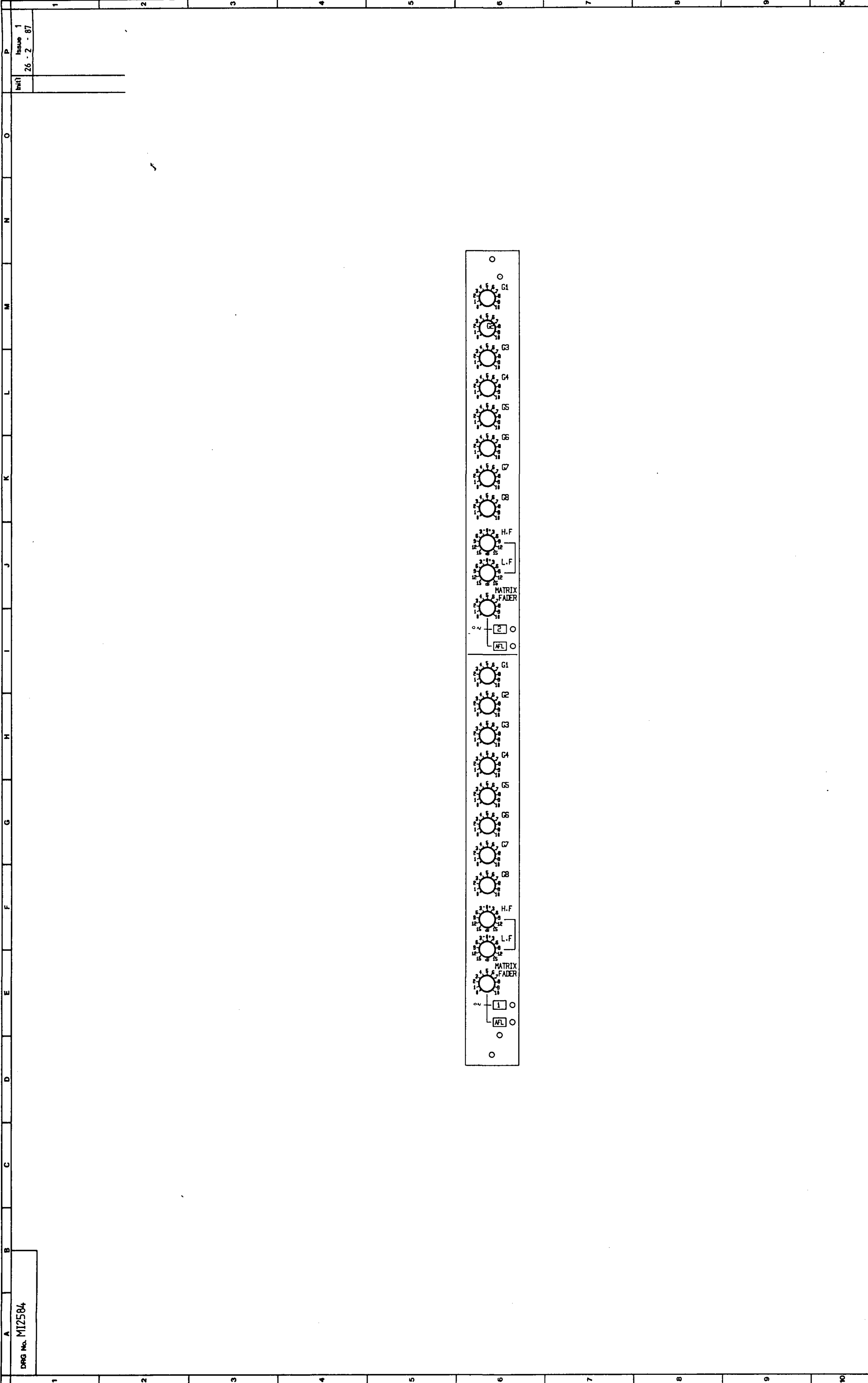


SIGNALS & GND

S = CONSOLE SEND
R = TAPE RETURN

VIEWED FROM FREE CON. SOLDER PINS.

<p>TOLERANCES HOLE SIZES AFTER PAINTING</p> <p>0-3mm - 0.10 0-00</p> <p>OVER 3-6mm - 0.12 0-00</p> <p>OVER 6-10mm - 0.15 0-00</p> <p>OVER 10-18mm - 0.18 0-00</p> <p>OVER 18-25mm - 0.21 0-00</p> <p>OVER 25mm - 0.25 0-00</p>	<p>GENERAL TOLERANCE</p> <p>Delete where not applicable</p> <p>± 0.50mm (0.020")</p> <p>± 0.25mm (0.010")</p> <p>± 0.12mm (0.005")</p> <p>HOLE CENTRES ± 0.064"</p> <p>ALL ANGLES ± 0.50°</p> <p>Unless otherwise stated</p>	<p>HOLE INDEX</p> <p><input type="checkbox"/></p> <p><input type="checkbox"/></p> <p><input type="checkbox"/></p> <p><input type="checkbox"/></p>	<p><input type="checkbox"/></p> <p><input type="checkbox"/></p> <p><input type="checkbox"/></p> <p><input type="checkbox"/></p>	<p>MATL</p> <p>FINISH</p> <p>SCALE N.T.S.</p> <p>DRN BTB</p> <p>TRCD</p> <p>CHKD</p> <p>THIRD ANGLE PROJECTION</p> <p>THIS DRAWING TO COM. 1Y TO BS308</p>	<p>SOUNDCRAFT ELECTRONICS LTD</p> <p>UNIT 2</p> <p>BOREHAMWOOD INDUSTRIAL PARK</p> <p>ROWLEY LANE</p> <p>BOREHAMWOOD</p> <p>HERTFORDSHIRE WD6 5PZ</p> <p>TELEPHONE 01 207 5050</p> <p>FACSIMILE No 2070194</p>	<p>TITLE</p> <p>TS12 TAPE I/O & 600 PATCH</p> <p>DRG No MI2589</p>
---	---	--	---	--	--	--



Soundcraft Electronics Limited own the copyright of this drawing which is not to be copied, reproduced or disclosed, in part or whole, to a third party without written permission.

NOTES

HOLE INDEX

<input type="checkbox"/>	<input type="checkbox"/>	<input type="checkbox"/>	<input type="checkbox"/>
--------------------------	--------------------------	--------------------------	--------------------------

TOLERANCES

HOLE SIZES AFTER PAINTING

0-3mm	+0.10
	-0.00
OVER 3-6mm	+0.10
	-0.10
OVER 6-10mm	+0.15
	-0.00
OVER 10-18mm	+0.20
	-0.00
OVER 18-25mm	+0.21
	-0.00
OVER 25mm	+0.25
	-0.00

GENERAL TOLERANCES
Delete where not applicable.
± 0.50mm (0.020")
± 0.25mm (0.010")
± 0.12mm (0.005")
All angles ± 0.50°
Hole centres ± 0.004"

Unless otherwise stated.

MATL

FINISH	TRCD
SCALE	CHKD

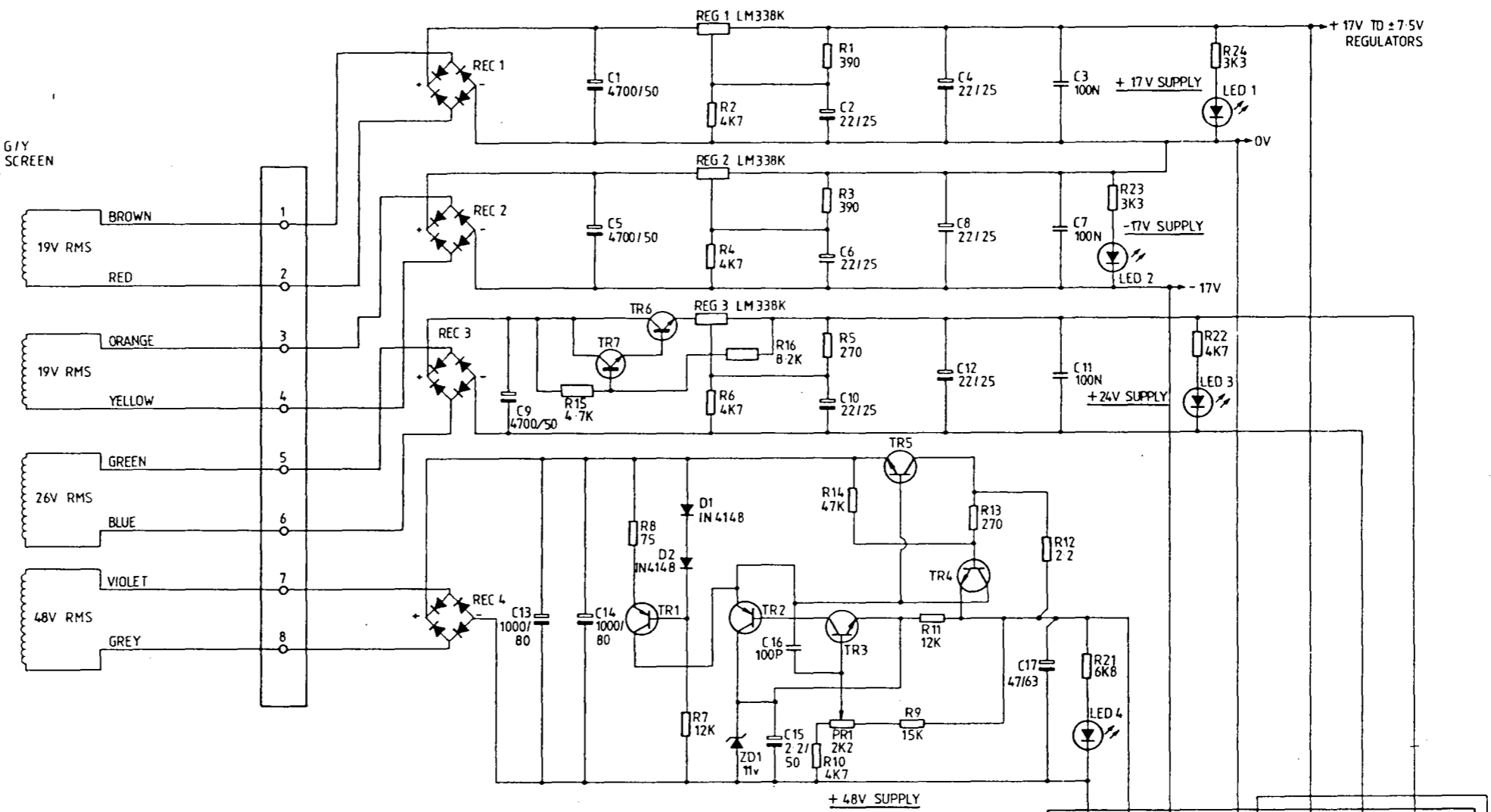
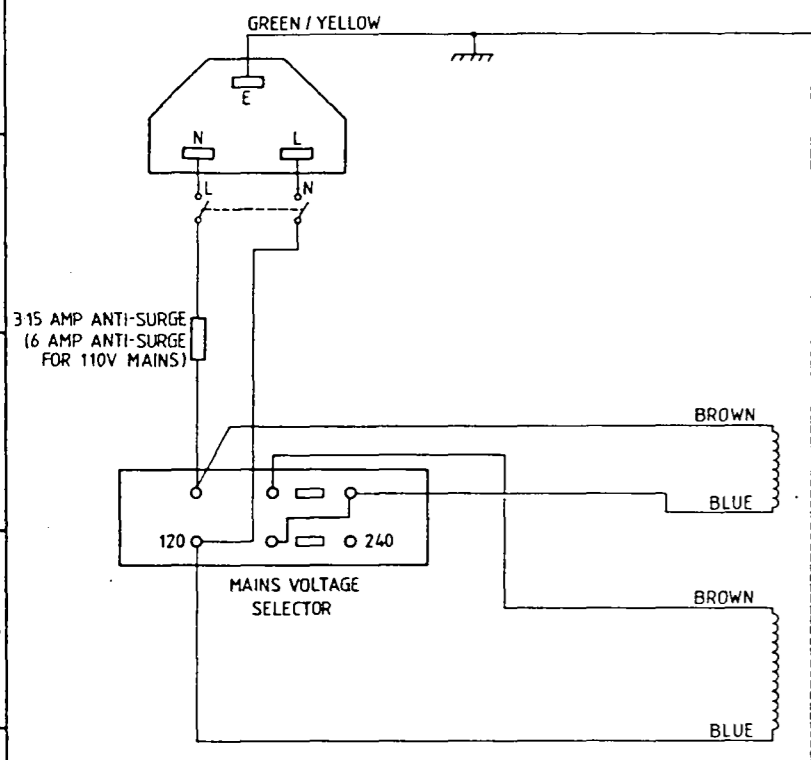
THIRD ANGLE PROJECTION
THIS DRAWING TO COMPLY TO BS308.

SOUND CRAFT ELECTRONICS LTD
UNIT 2,
BOREHAMWOOD INDUSTRIAL PARK,
ROWLEY LANE,
BOREHAMWOOD,
HERTFORDSHIRE WD6 5PZ.
TELEPHONE: 01-207-5050
FACSIMILE No. 2070194

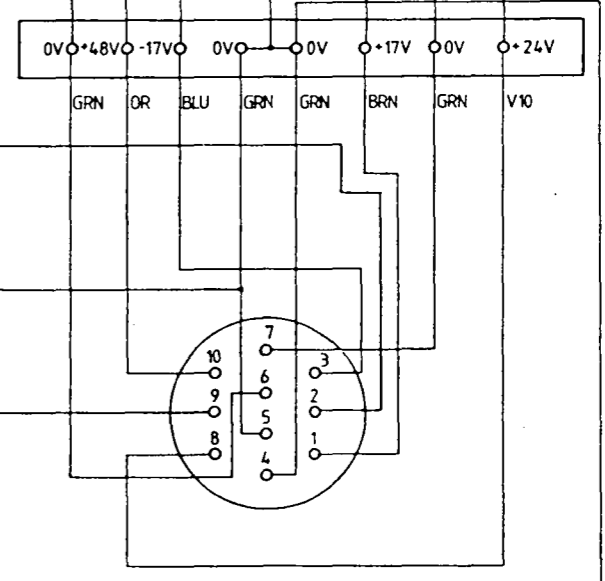
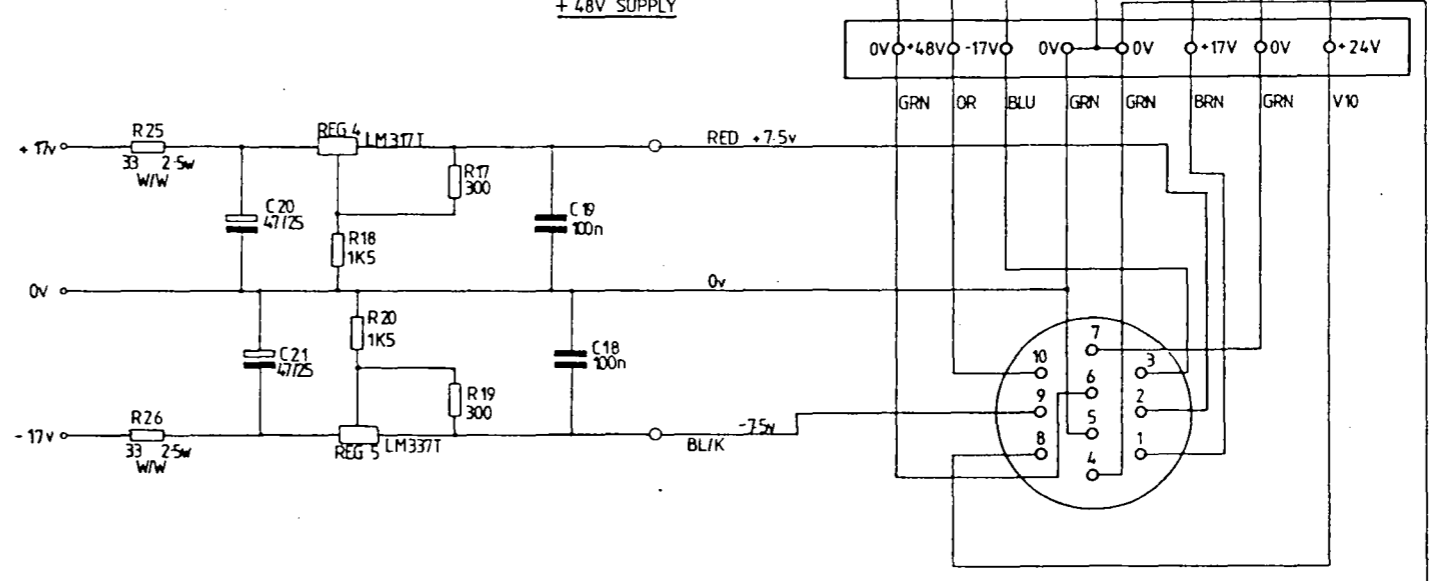
TITLE: S500
MATRIX MODULE

DRG No. M12584

Issue 1	25-10-84
Issue 2	7-1-85
ISS 3	22/1/85
Issue 4	31-1-85



TRANSISTORS	
TR1 & TR2	= PNP 2SA970 GR
TR3,4, 7	= NPN 2SC2240 BL
TR5	= NPN BD135
TR6	= NPN 2N3055
RECTIFIERS	
REC1, REC2 & REC3	= KBF02
REC4	= KBP02



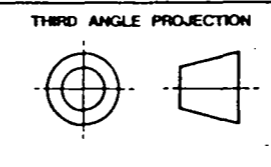
VIEWED FROM SOLDER PINS OF SRC CONNECTOR

Soundcraft Electronics Limited own the copyright of this drawing which is not to be copied, reproduced or disclosed, in part or whole, to a third party without written permission.

NOTES:

HOLE INDEX:

TOLERANCE:
 All imperial dimensions ± 0.010
 All metric dimensions $\pm 0.25mm$
 All angles $\pm 0.50^\circ$
 Unless otherwise stated.

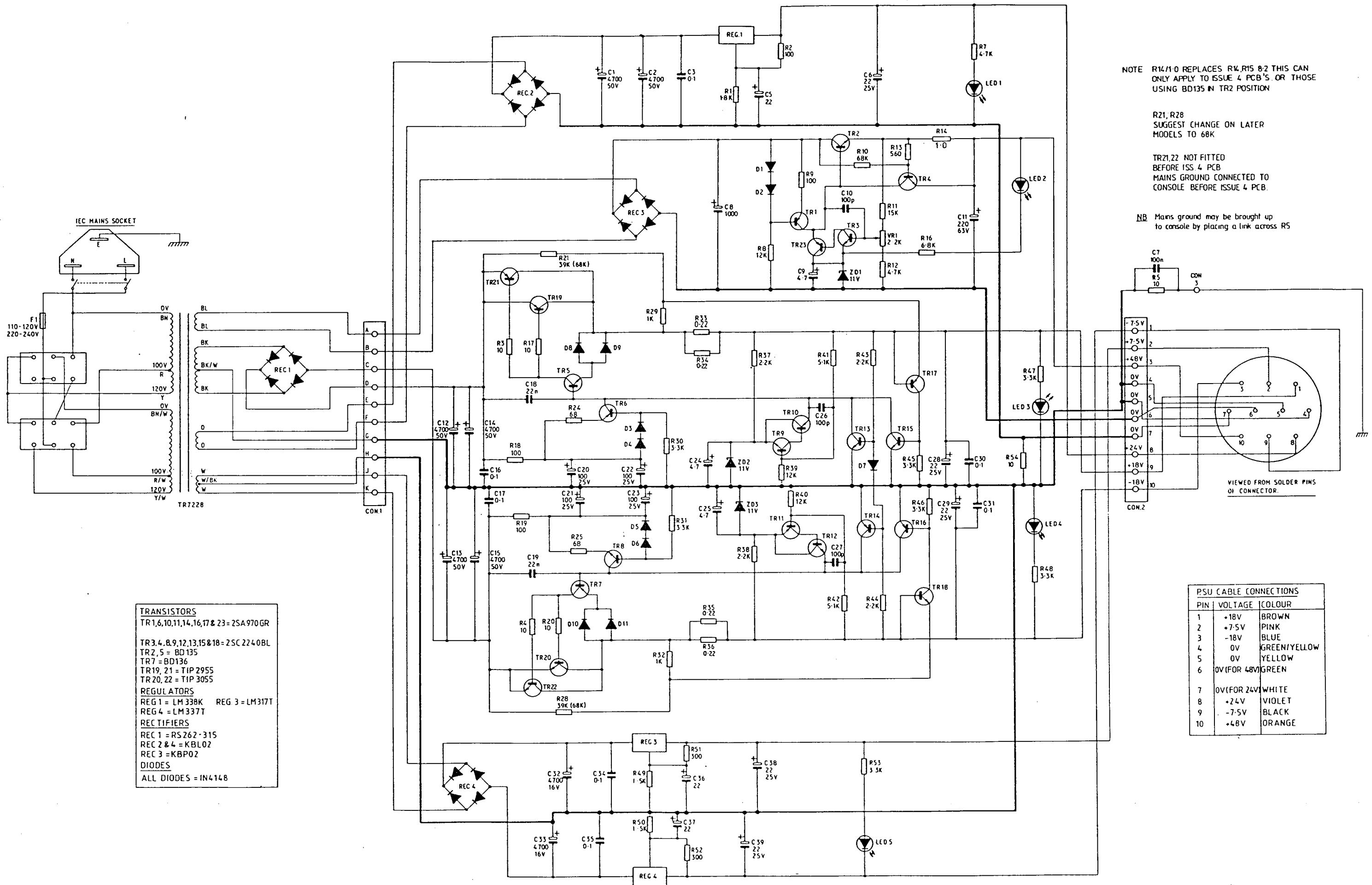


MATL:
 FINISH:
 SCALE:

DRG:
 TRCD:
 CHKD:

SOUNDRAFT ELECTRONICS LTD.
 5-8 GREAT SUTTON STREET
 LONDON, EC4V 0BX.
 TELEPHONE: 01-251-3631/2/3
 TELEGRAMS: SOUNDRAFT LDN, EC1
 TELEX: UK No. 21198, USA No. 01-2203

TITLE:
 MEDIUM CONSOLE
 POWER SUPPLY
 SC1584
 DRG No. ED 2208



NOTE R14/1-0 REPLACES R14, R15 8-2 THIS CAN ONLY APPLY TO ISSUE 4 PCB'S. OR THOSE USING BD135 IN TR2 POSITION

R21, R28 SUGGEST CHANGE ON LATER MODELS TO 68K

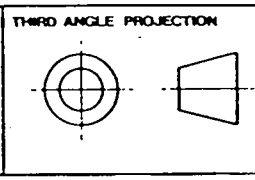
TR21, 22 NOT FITTED BEFORE ISS 4 PCB MAINS GROUND CONNECTED TO CONSOLE BEFORE ISSUE 4 PCB.

NB Mains ground may be brought up to console by placing a link across R5

- TRANSISTORS**
 TR1,6,10,11,14,16,17 & 23 = 2SA970GR
 TR3,4,8,9,12,13,15 & 18 = 2SC 224 OBL
 TR2, 5 = BD135
 TR7 = BD136
 TR19, 21 = TIP 2955
 TR20, 22 = TIP 3055
- REGULATORS**
 REG 1 = LM 338K REG 3 = LM317T
 REG 4 = LM337T
- RECTIFIERS**
 REC 1 = RS262-315
 REC 2 & 4 = KBL02
 REC 3 = KBP02
- DIODES**
 ALL DIODES = IN4148

PSU CABLE CONNECTIONS		
PIN	VOLTAGE	COLOUR
1	+18V	BROWN
2	+7.5V	PINK
3	-18V	BLUE
4	0V	GREEN/YELLOW
5	0V	YELLOW
6	0V (FOR 48V)	GREEN
7	0V (FOR 24V)	WHITE
8	+24V	VIOLET
9	-7.5V	BLACK
10	+48V	ORANGE

Issue 1 12-11-81
 Issue 2 19-1-82
 Issue 3 3-3-82
 Issue 4 9-7-82
 Issue 5 16-11-83
 Issue 6 10-9-84



NOTES
 All resistors in ohms.
 All capacitors in microfarads, unless otherwise stated.
 R33,34,35,36 all 2.5W wirewound.
 FOR PART No. GD0336

TOLERANCE
 All imperial dimensions ±0.01
 All metric dimensions ±0.25mm
 All angles ±0.50°
 Unless otherwise stated

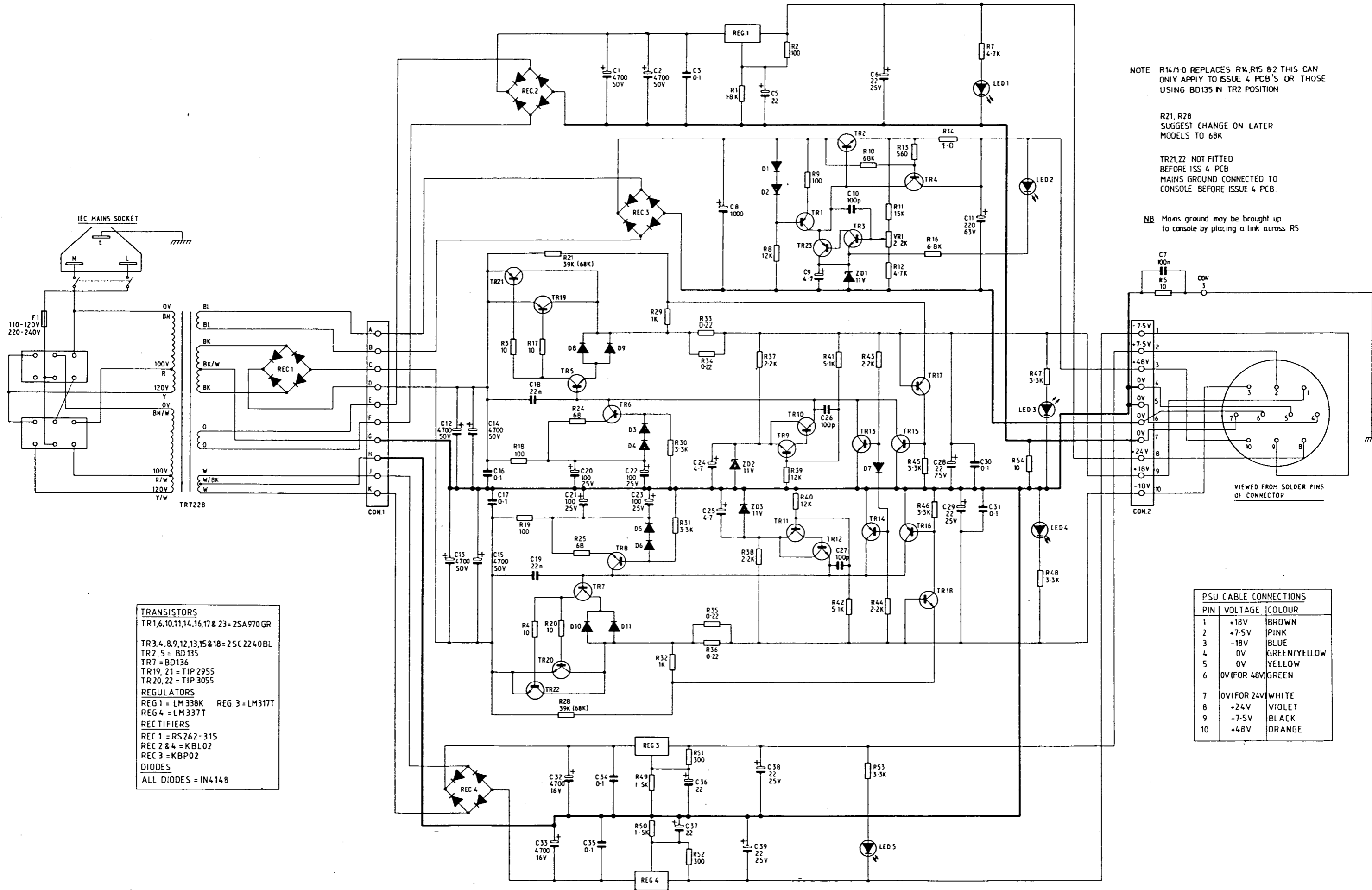
HOLE INDEX

MATL —
FINISH —
SCALE —

DRN MARK
TRCD
CHKD

SOUNDCRAFT ELECTRONICS LTD
 5-8 GREAT SUTTON STREET
 LONDON EC1V 0BX.
 TELEPHONE: 01-251-3631/2/3
 TELEGRAMS: SOUNDCRAFT LDM EC1
 TELETYPE No. 21198. USA. No. 224408

TITLE
 POWER SUPPLY CURCUIT DIAGRAM (SC1218 Iss 4)
 DPG. No. ED 2093



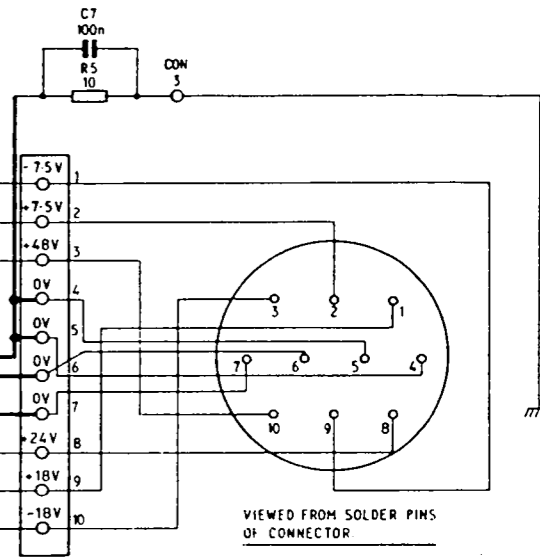
NOTE R14/1.0 REPLACES R4. R15 8.2 THIS CAN ONLY APPLY TO ISSUE 4 PCB'S OR THOSE USING BD135 IN TR2 POSITION

R21, R28 SUGGEST CHANGE ON LATER MODELS TO 68K

TR21, 22 NOT FITTED BEFORE ISS 4 PCB MAINS GROUND CONNECTED TO CONSOLE BEFORE ISSUE 4 PCB.

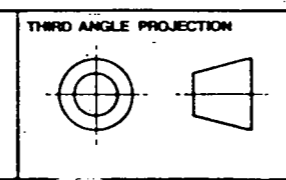
NB Mains ground may be brought up to console by placing a link across R5

- TRANSISTORS**
 TR1,6,10,11,14,16,17 & 23= 2SA970GR
 TR3,4,8,9,12,13,15 & 18= 2SC2240BL
 TR2,5= BD135
 TR7= BD136
 TR19,21= TIP2955
 TR20,22= TIP3055
- REGULATORS**
 REG1= LM338K REG3= LM317T
 REG4= LM337T
- RECTIFIERS**
 REC1= RS262-315
 REC2 & 4= KBL02
 REC3= KBP02
- DIODES**
 ALL DIODES = IN4148



PSU CABLE CONNECTIONS		
PIN	VOLTAGE	COLOUR
1	+18V	BROWN
2	+7.5V	PINK
3	-18V	BLUE
4	0V	GREEN/YELLOW
5	0V	YELLOW
6	0V (FOR 48V)	GREEN
7	0V (FOR 24V)	WHITE
8	+24V	VIOLET
9	-7.5V	BLACK
10	+4.8V	ORANGE

Issue 1 12-11-81
 Issue 2 19-1-82
 Issue 3 3-3-82
 Issue 4 9-7-82
 Issue 5 16-11-83
 Issue 6 10-9-84



NOTES
 All resistors in ohms.
 All capacitors in microfarads, unless otherwise stated.
 R33,34,35,36 all 2.5W wirewound.
 FOR PART No GD0336

TOLERANCE
 All imperial dimensions ±0.01
 All metric dimensions ±0.25mm
 All angles ±0.50°
 Unless otherwise stated

HOLE INDEX

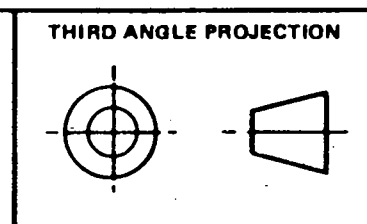
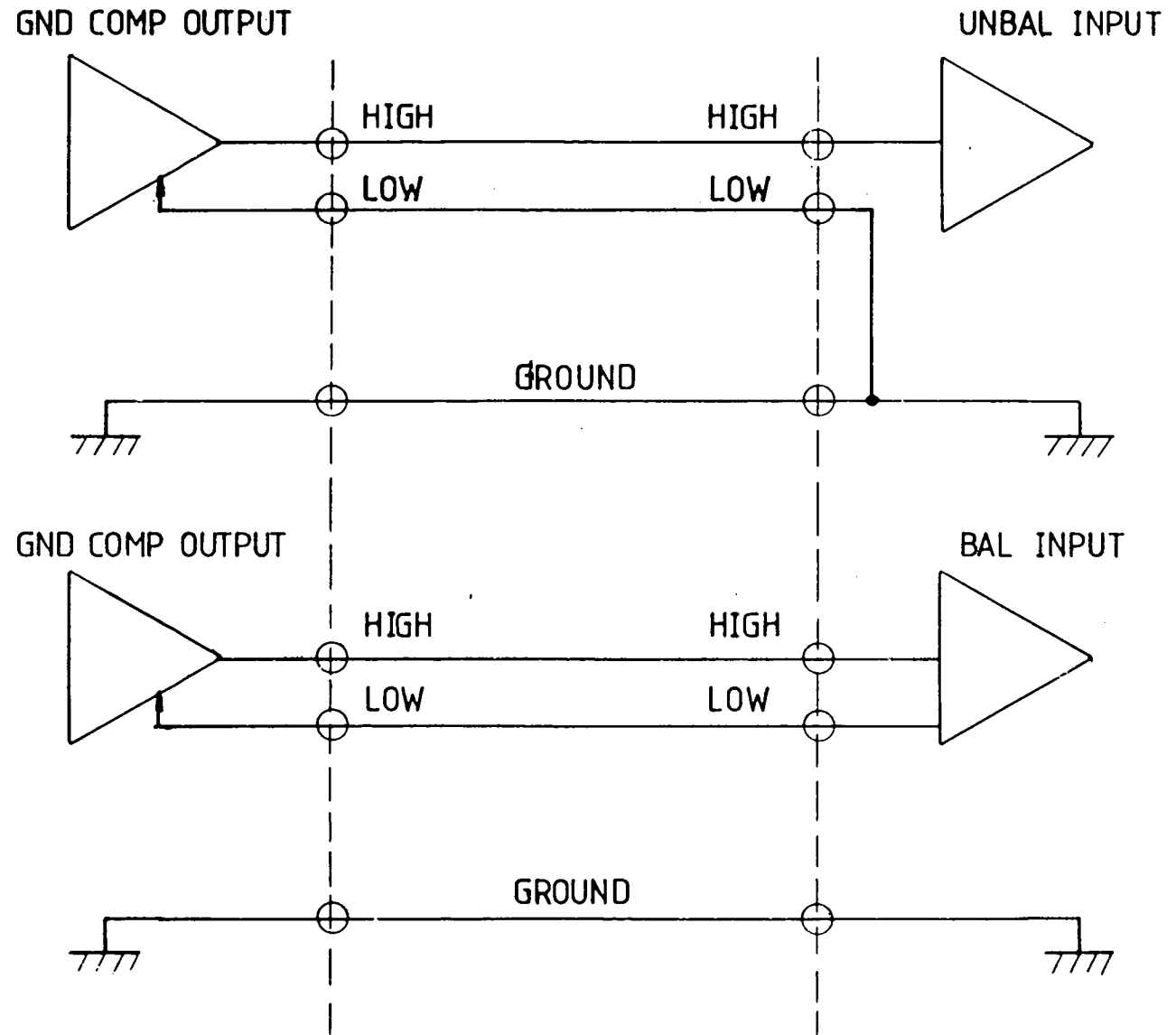
MATL —
FINISH —
SCALE —

DRN MARK
CHKD

SOUNDCRAFT ELECTRONICS LTD
 5-8 GREAT SUTTON STREET
 LONDON EC1V 0BX.
 TELEPHONE: 01-251-3631/2/3
 TELEGRAMS: SOUNDCRAFT LDM EC1
 TELETYPE: No. 21198. USA No. 224408

TITLE
 POWER SUPPLY
 CIRCUIT DIAGRAM
 (SC1218 Iss.4)
 DRG. No. ED 2093

WIRING FOR GROUND COMPENSATED OUTPUT



TOLERANCE
 All imperial dimensions ± 0.010
 All metric dimensions $\pm 0.25\text{mm}$
 All angles $\pm 0.50^\circ$
 Unless otherwise stated

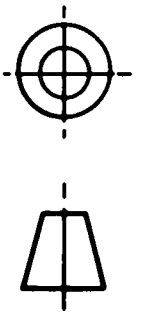
HOLE INDEX

MATL
 FINISH
 SCALE

DRN GS
 TRCD AB
 CHKD

SOUNDCRAFT ELECTRONICS LTD
 6-8 GREAT SUTTON STREET
 LONDON EC1V 0BX.
 TELEPHONE. 01-251-3631/2/3
 TELEGRAMS. SOUNDCRAFT LDN EC1
 TELEX. UK. No. 21198. USA. No. 224408

TITLE WIRING FOR
 GND COMP O/P
 DRG. No. MI 2426



THIRD ANGLE PROJECTION

TOLERANCE
 All imperial dimensions ± 0.010
 All metric dimensions $\pm 0.25\text{mm}$
 Unless otherwise stated

HOLE INDEX

MATL

FINISH

SCALE

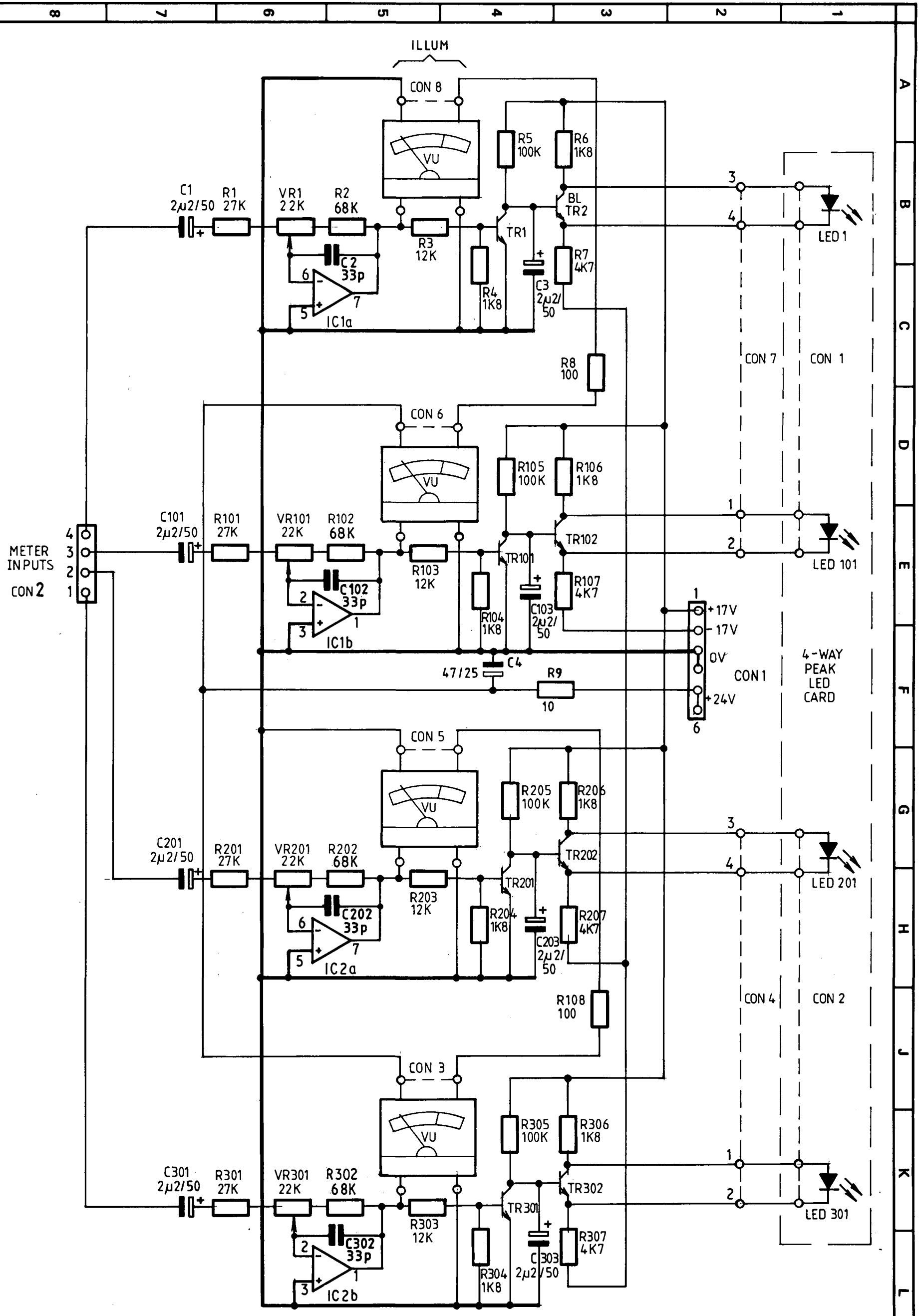
DRN

CHKD

SOUNDCRAFT ELECTRONICS LTD
 6-8 GREAT BUTTON STREET
 LONDON EC1V 0BX.
 TELEPHONE: 01-261-3831/2/3
 TELEGRAMS: SOUNDCRAFT LON EC1
 TELERX. UK. No. 21188. USA. No. 22408

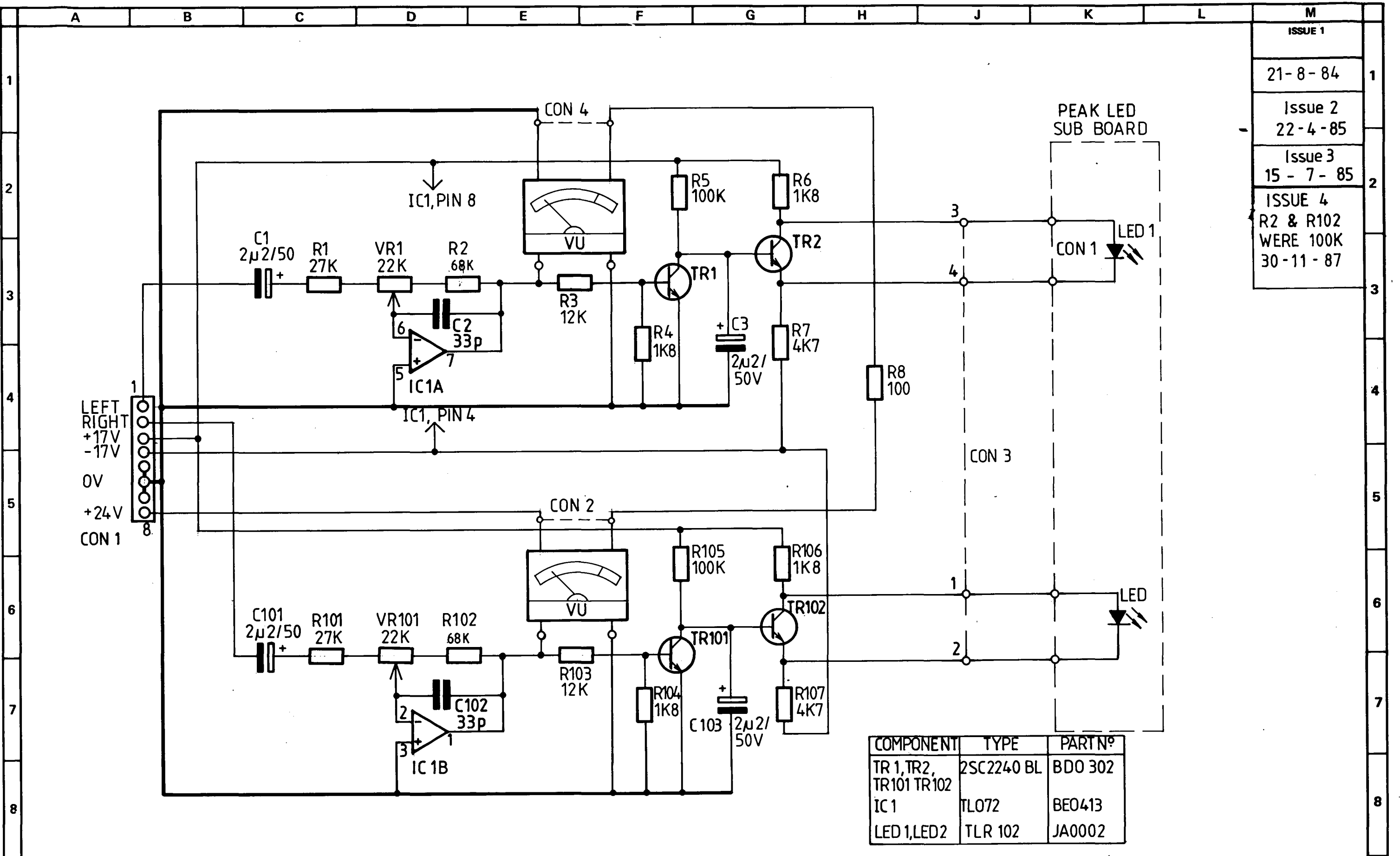
TITLE

S500
 4 WAY VU METER DRIVE
 CIRCUIT DIAG. (SC1498)
 DRG. No. ED2185



COMPONENT	TYPE	PART N°
TR1-TR 302	2SC 2240BL	BDO 302
IC1,IC2	TLO 72	BEO 413
LED1 LED 301	TLR 102	JA0002

ISSUE 1	3-9-84
ISSUE 2	22-4-85
ISSUE 3	16-7-85
ISSUE 4	R2,102,202, 302 WERE 100K
	30-11-87



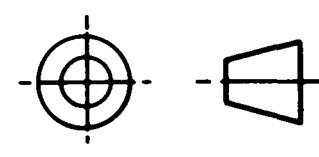
ISSUE 1
21-8-84

Issue 2
22-4-85

Issue 3
15-7-85

ISSUE 4
R2 & R102
WERE 100K
30-11-87

THIRD ANGLE PROJECTION



TOLERANCE
All imperial dimensions ± 0.010
All metric dimensions ± 0.25mm
All angles ± 0.50°
Unless otherwise stated

HOLE INDEX

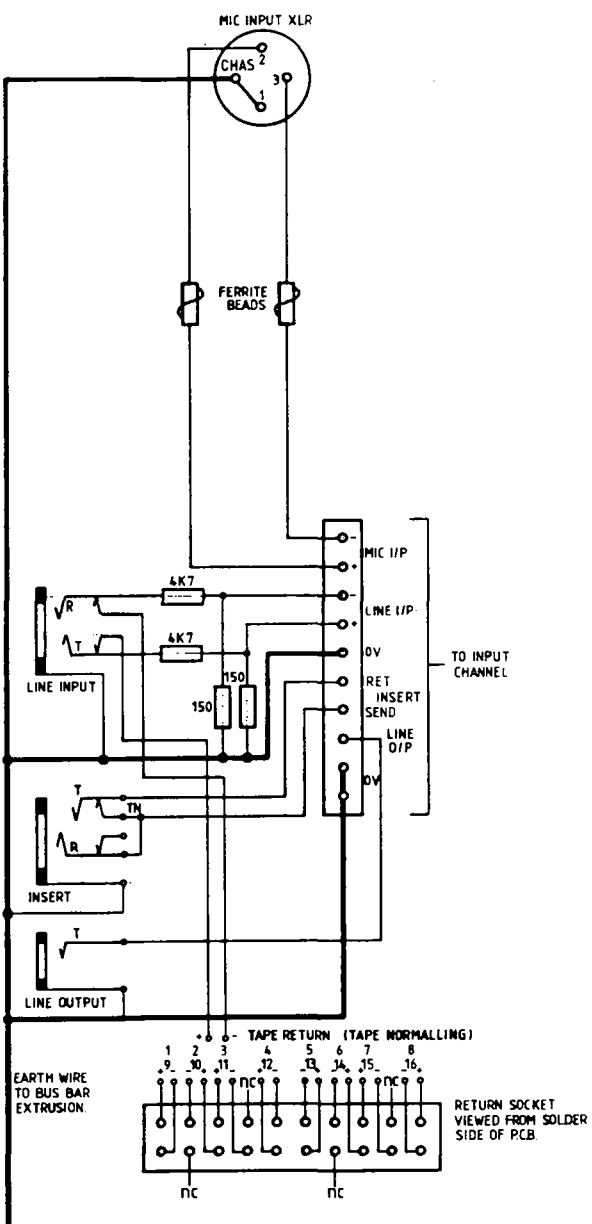
MATL
FINISH
SCALE

DRN
TRCD
CHKD

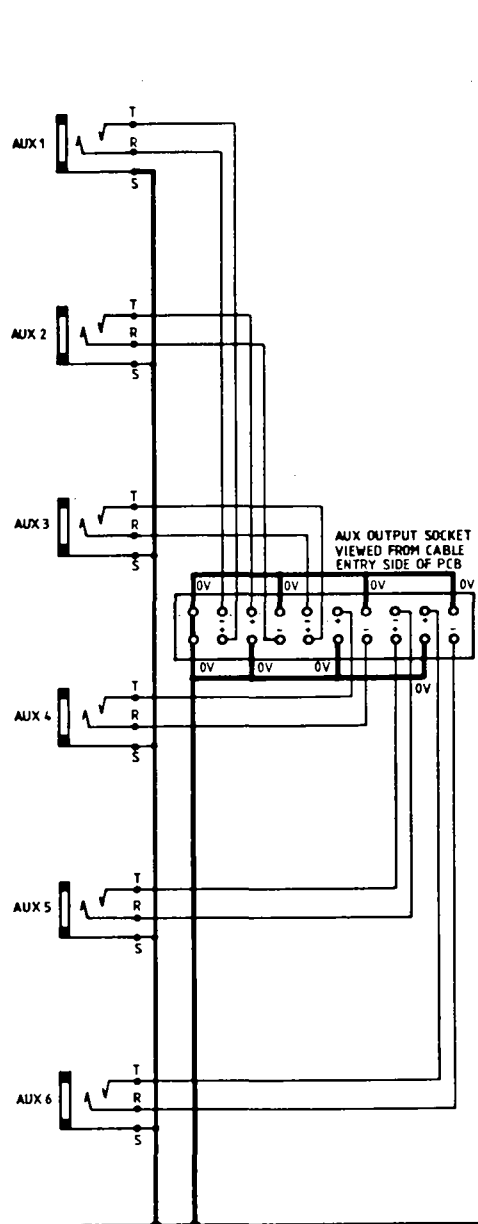
SOUNDCRAFT ELECTRONICS LTD
5-8 GREAT SUTTON STREET
LONDON EC1V 0BX.
TELEPHONE. 01-251-3831/2/3
TELEGRAMS. SOUNDCRAFT LDN EC1
TELEX. UK. No. 21198. USA. No. 224408

TITLE S500/S600
MASTER METER DRIVE
CIRCUIT DIAGRAM
DRG. No. ED2181

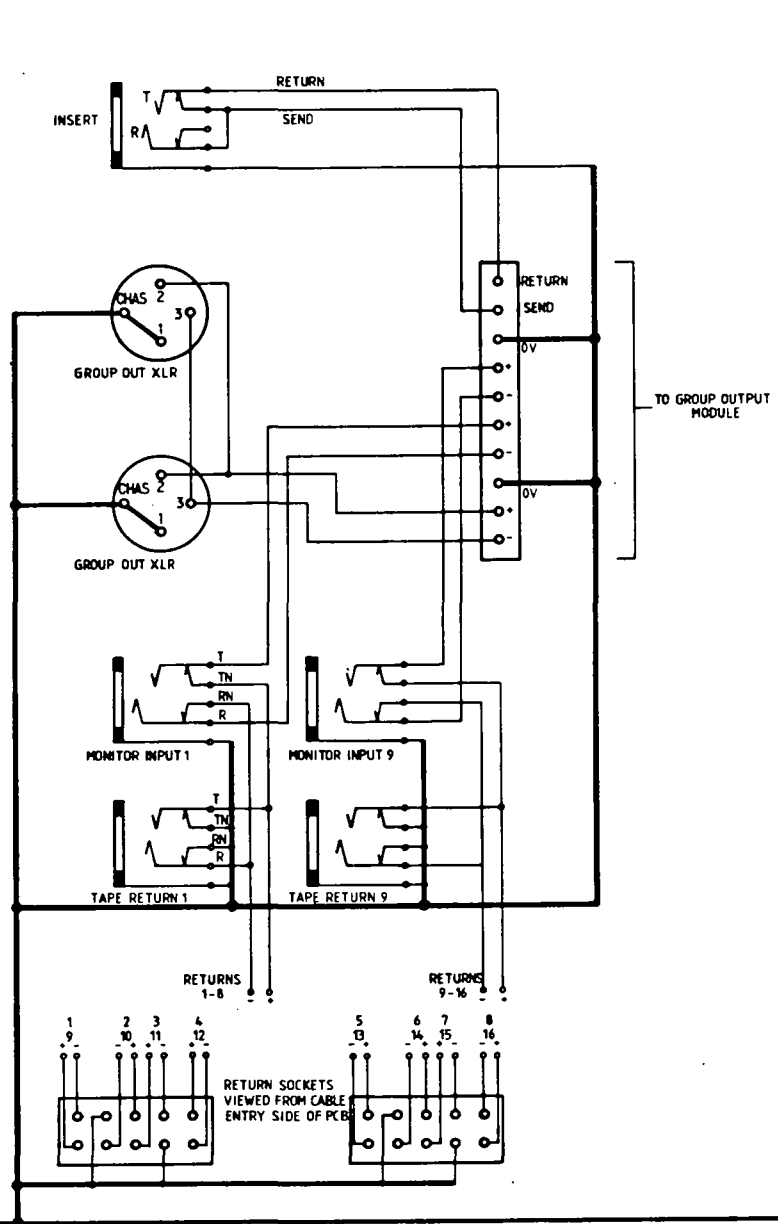
INPUT REAR CONN. (One of eight sections shown)



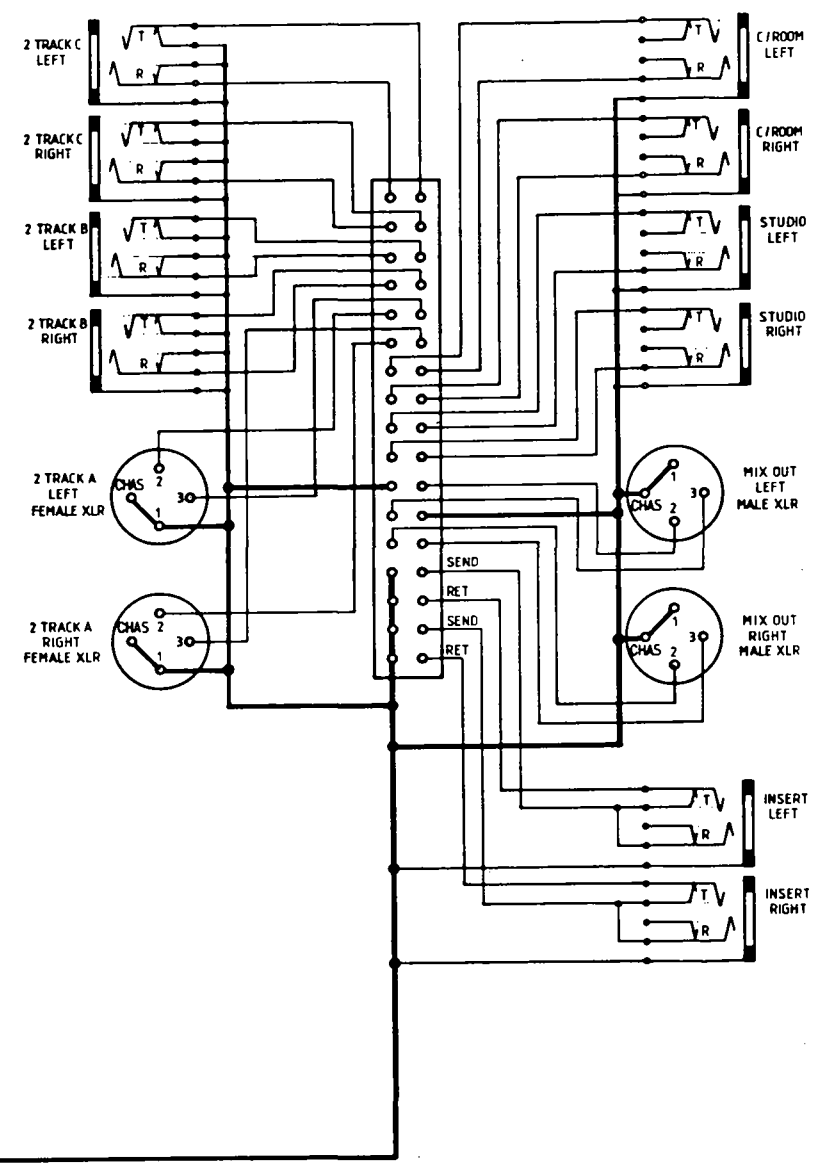
AUX OUTPUT (On group rear conn. card)



GROUP OUTPUT (1 of 8)



MASTER REAR CONN.
(Connector viewed from cable entry side of PCB)



Soundcraft Electronics Limited own the copyright of this drawing which is not to be copied, reproduced or disclosed, in part or whole, to a third party without written permission.

NOTES.
XLR CONNECTORS - PIN 2 = HOT (+), PIN 3 = COLD (-)
JACK SOCKETS (INPUTS/OUTPUTS) TIP = HOT (+), RING = COLD (-)
JACK SOCKETS INSERTS: TIP = RETURN, RING = SEND

HOLE INDEX.

TOLERANCE.
All imperial dimensions ± 0.010
All metric dimensions $\pm 0.25mm$
All angles $\pm 0.50^\circ$
Unless otherwise stated.

THIRD ANGLE PROJECTION

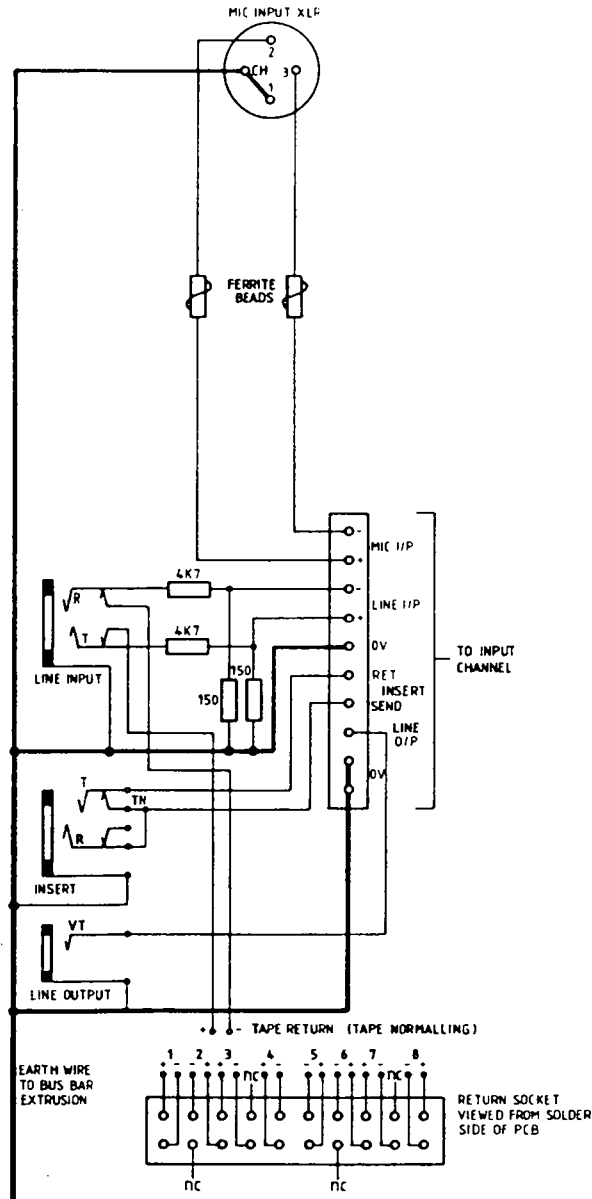
MATL. —
FINISH. —
SCALE. —

DRG. Mark
TRCD.
CHKD.
[Signature]

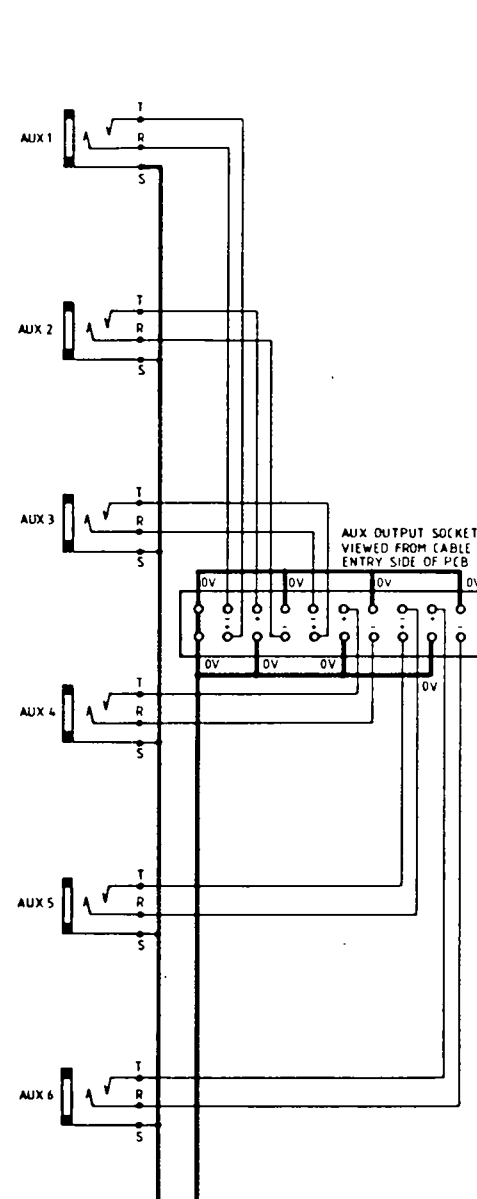
SOUNDCRAFT ELECTRONICS LTD.
5-8 GREAT SUTTON STREET
LONDON. EC4V. 0BX.
TELEPHONE. 01-251-3631/2/3
TELEGRAMS. SOUNDCRAFT LDN. EC1
TELEX. UK No. 21198. USA No. 01-2203

TITLE. S600
REAR CONNECTOR
DIAGRAMS
DRG No. ED2210

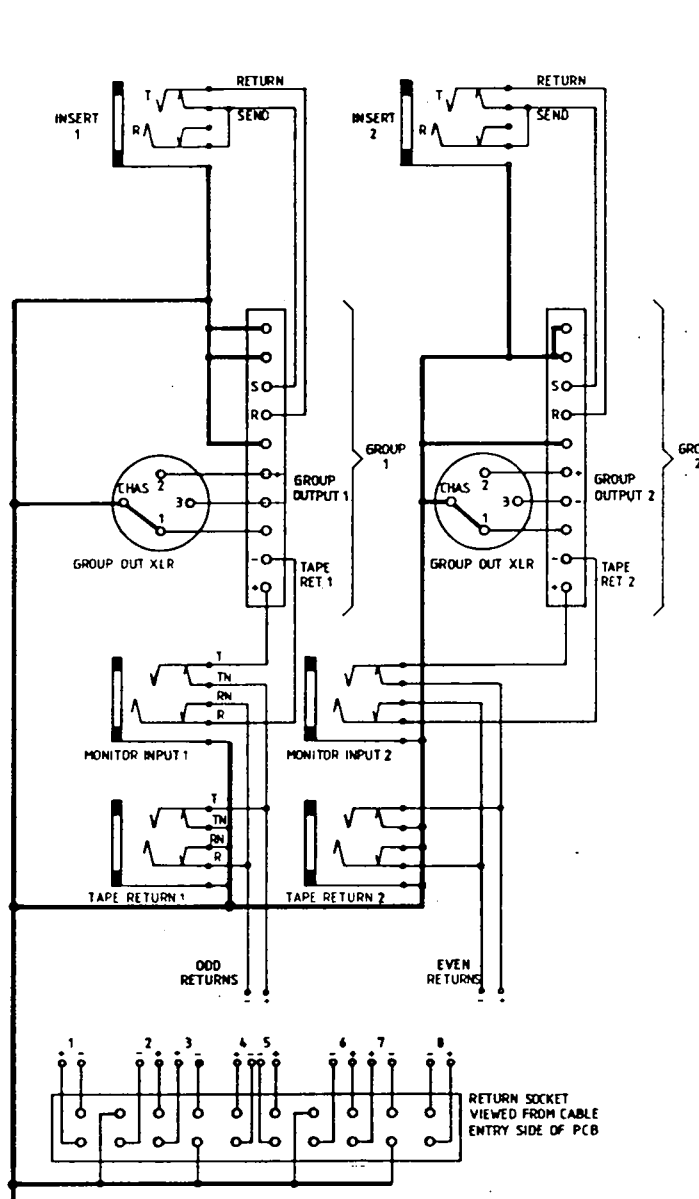
INPUT REAR CONN. (One of eight sections shown)



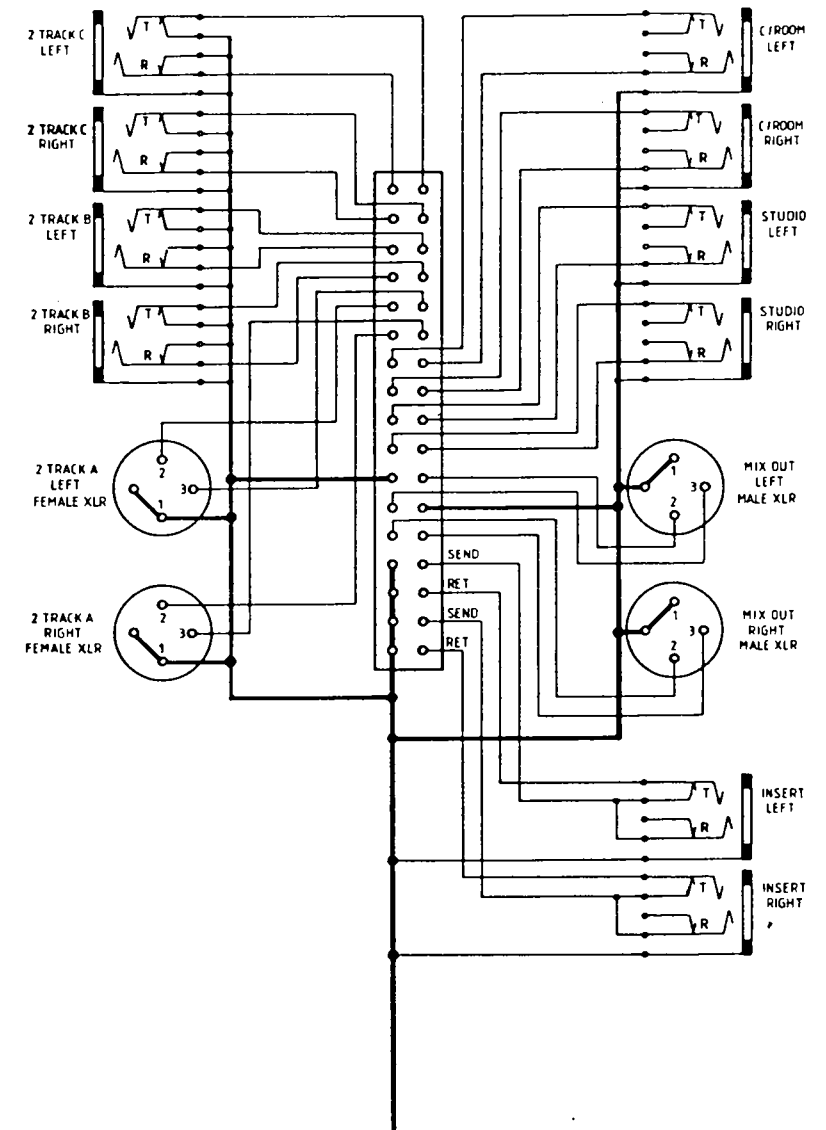
AUX OUTPUT (On group rear conn. card)



GROUP OUTPUT (1 of 8)



MASTER REAR CONN.
(Connector viewed from cable entry side of PCB)



Soundcraft Electronics Limited own the copyright of this drawing which is not to be copied, reproduced or disclosed, in part or whole, to a third party without written permission.

NOTES.
XLR CONNECTORS - PIN 2 = HOT (+), PIN 3 = COLD (-)
JACK SOCKETS (INPUTS/OUTPUTS) TIP = HOT (+), RING = COLD (-)
JACK SOCKETS INSERTS TIP = RETURN, RING = SEND

HOLE INDEX.

TOLERANCE.
All imperial dimensions ± 0.010
All metric dimensions $\pm 0.25\text{mm}$
All angles $\pm 0.50^\circ$
Unless otherwise stated.

THIRD ANGLE PROJECTION

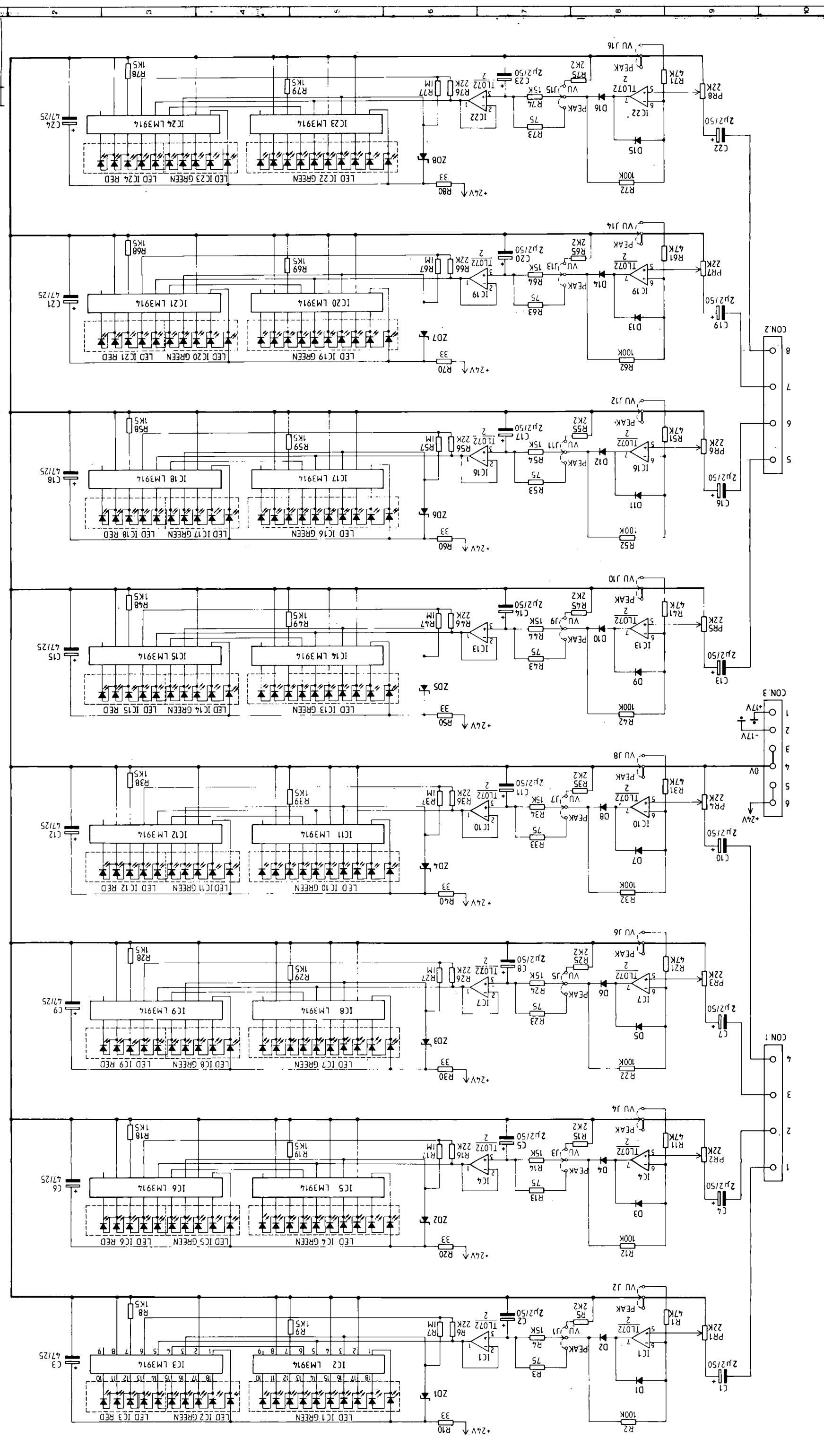
MATL. —
FINISH. —
SCALE. —

DRG. Mark
TRCD.
CHKD.
TELEGRAMS. SOUNDRAFT LDN. EC1
TELEX. UK No. 21198 USA No. 01-2203

TITLE. S500 REAR CONNECTOR DIAGRAMS
DRG No. ED 2230

DRG No. ED 2202

Issue 1 8-10-84
 Issue 2 25-4-85
 Issue 3 18-7-85
 Issue 4 25-11-85



COMPONENT	DEVICE	PART No.
DUAL OP-AMPS	TL072	BE0403
LED DRIVERS	LM3914	BE0427
DIODES	1N4148	BA0001
ZENERS	6.2V/400mW	BB0104
LED IC (10WAY)	GREEN	JA0017
LED IC (5WAY)	GREEN	JA0019
LED IC (5WAY)	RED	JA0018

NOTES:
 Soundcraft Electronics Limited own the copyright of this drawing which is not to be copied, reproduced or disclosed, in part or whole, to a third party without written permission.

HOLE INDEX:

TOLERANCE:
 All imperial dimensions ± 0.010
 All metric dimensions $\pm 0.25\text{mm}$
 All angles $\pm 0.5^\circ$
 Unless otherwise stated.

THIRD ANGLE PROJECTION

MATL. FINISH. SCALE.

DRG. TRCD. CHKD.

TITLE: S600 8 WAY LED METER (CIRCUIT DIAGRAM)

SOUND-CRAFT ELECTRONICS LTD.
 5-8 GREAT SUTTON STREET
 LONDON, EC 4V, OXB.
 TELEPHONE: 01-251-3631/2/3
 TELEGRAMS: SOUND-CRAFT LON. EC1
 TELEX: UK No. 21198, USA No. 01-2203

DRG No. ED 2202