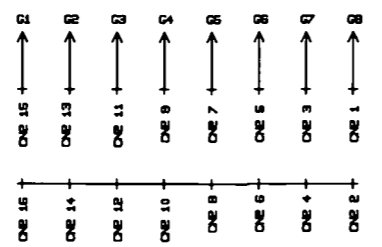
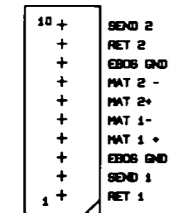


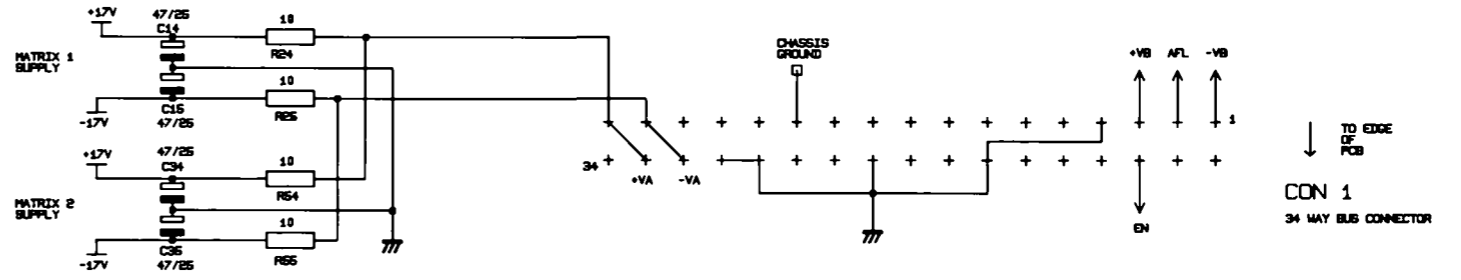
VR1 - 8 = 10K
R1 - 8 = 7K5

VR12 - 18 = 10K
R21 - 38 = 7K5

CON 3
10 WAY TO REAR CON



CON 2
16 WAY IDC FROM INTERFACE PCB



CON 1
34 WAY BUS CONNECTOR

Soundcraft Electronics Limited own the copyright of this drawing which is not to be copied, reproduced or disclosed, in part or whole, to a third party without written permission.

NOTES

HOLE INDEX

□	□
□	□
□	□
□	□

TOLERANCES

HOLE SIZES AFTER PAINTING

0-3mm	+ 0.10
	- 0.00
OVER 3-6mm	+ 0.12
	- 0.00
OVER 6-10mm	+ 0.15
	- 0.00
OVER 10-18mm	+ 0.18
	- 0.00
OVER 18-25mm	+ 0.21
	- 0.00
OVER 25mm	+ 0.25
	- 0.00

GENERAL TOLERANCES

Delete where not applicable.

± 0.50 mm (0.020")
± 0.25 mm (0.010")
± 0.12 mm (0.005")
All angles ± 0.50°
Hole centres ± 0.004"

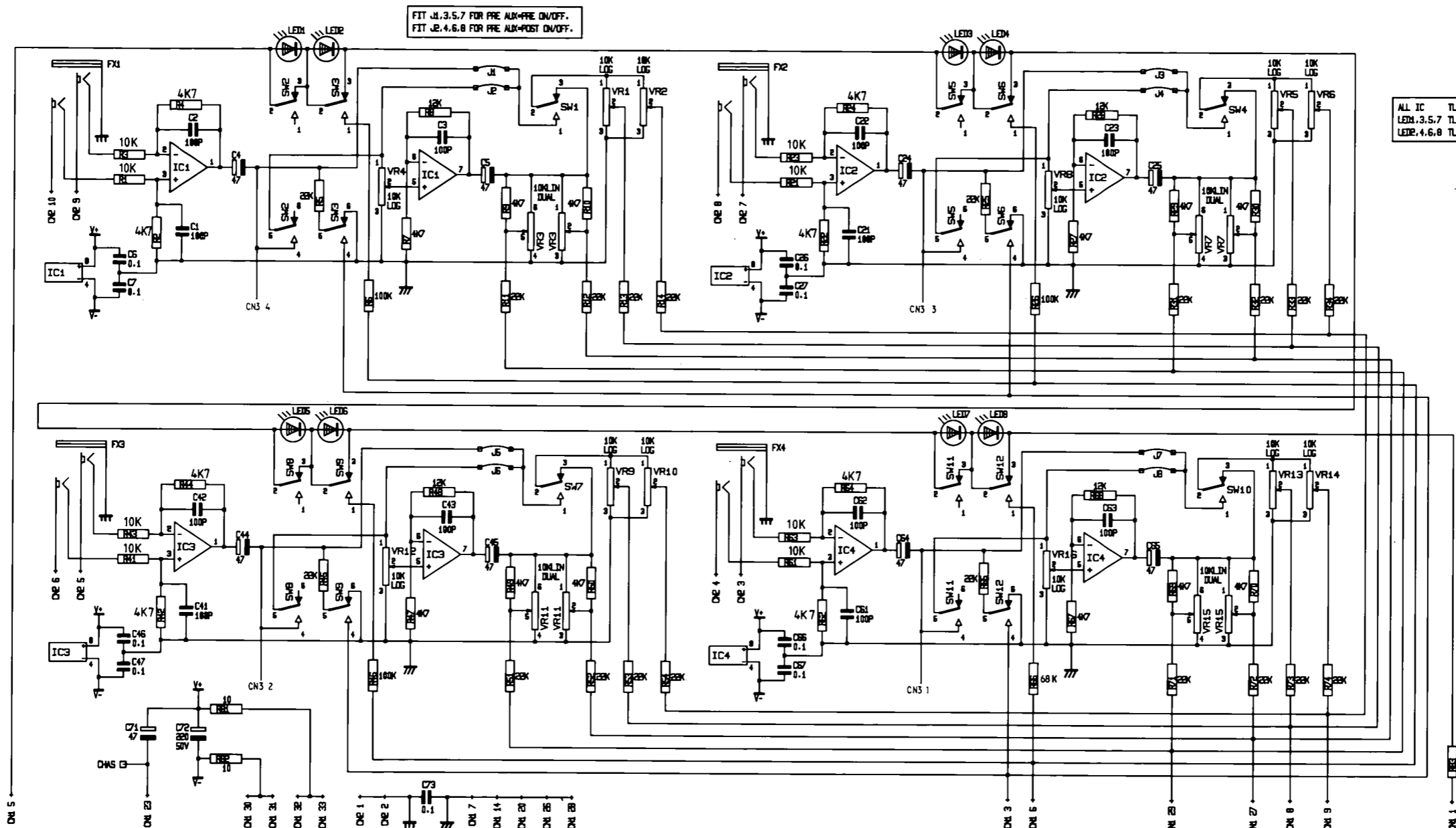
Unless otherwise stated.

MATL	DRN
FINISH	TRCD
SCALE	CHKD
THIRD ANGLE PROJECTION THIS DRAWING TO COMPLY TO BS308.	

SOUNDCRAFT ELECTRONICS LTD
UNIT 2,
BOREHAMWOOD INDUSTRIAL PARK,
ROWLEY LANE,
BOREHAMWOOD,
HERTFORDSHIRE WD6 5PZ.
TELEPHONE: 01-207-5050
FACSIMILE No. 2070194

TITLE:
S500 MATRIX MODULE

DRG No. ED 2662



NOTES

ALL RESISTORS IN OHMS
CAPACITORS IN MICRO FARADS
UNLESS OTHERWISE STATED.

HOLE INDEX

<input type="checkbox"/>	<input type="checkbox"/>
<input type="checkbox"/>	<input type="checkbox"/>
<input type="checkbox"/>	<input type="checkbox"/>
<input type="checkbox"/>	<input type="checkbox"/>

TOLERANCES

HOLE SIZES AFTER PAINTING

0-3mm	+0.10
	-0.00
OVER 3-6mm	+0.12
	-0.00
OVER 6-10mm	+0.15
	-0.00
OVER 10-18mm	+0.18
	-0.00
OVER 18-25mm	+0.21
	-0.00
OVER 25mm	+0.25
	-0.00

GENERAL TOLERANCES
Delete where not applicable.
± 0.50mm (0.020")
± 0.25mm (0.010")
± 0.12mm (0.005")
All angles ± 0.50°
Hole centres ± 0.004"
Unless otherwise stated.

MATL	DRN
FINISH	GHB
SCALE	TRCD
	CHKD

THIRD ANGLE PROJECTION
THIS DRAWING TO COMPLY
TO BS308.

SOUNDCRAFT ELECTRONICS LTD
UNIT 2,
BOREHAMWOOD INDUSTRIAL PARK,
ROWLEY LANE,
BOREHAMWOOD,
HERTFORDSHIRE WD8 5PZ.
TELEPHONE: 01-207-5050
FACSIMILE No. 2070194

TITLE
S600 FX RETURN
DRG No. ED 2581

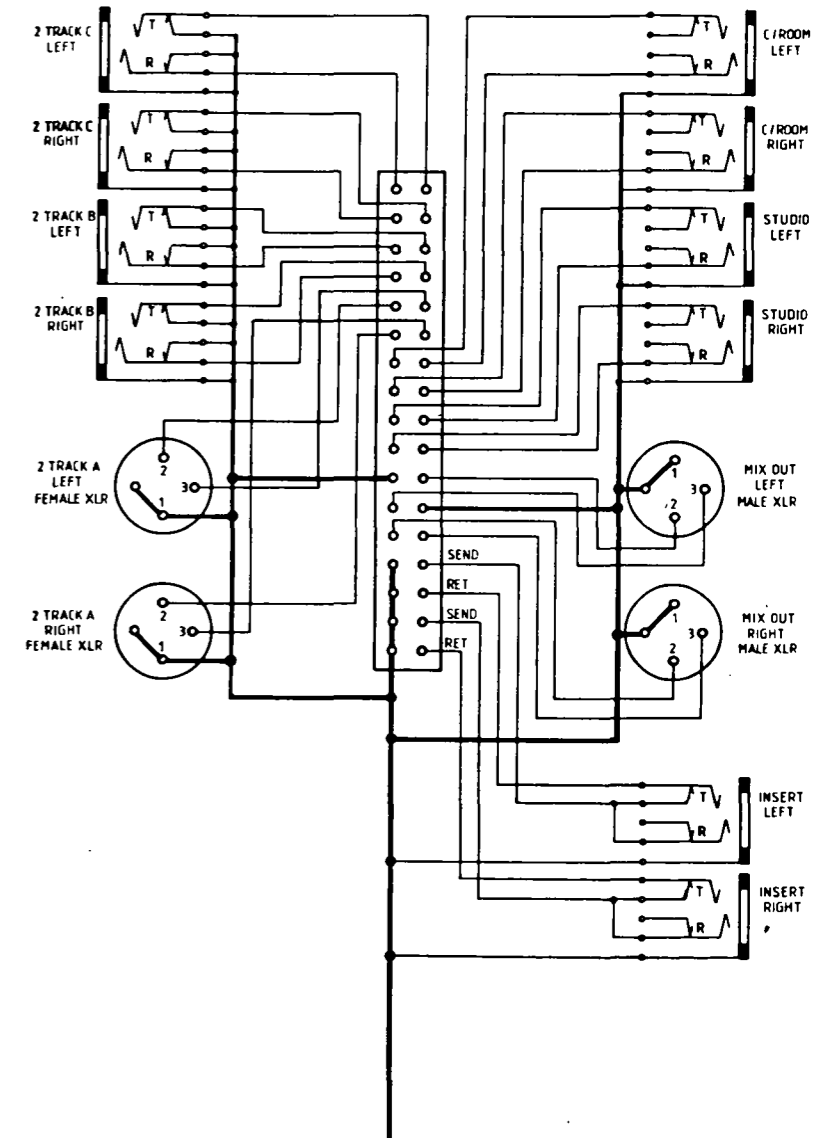
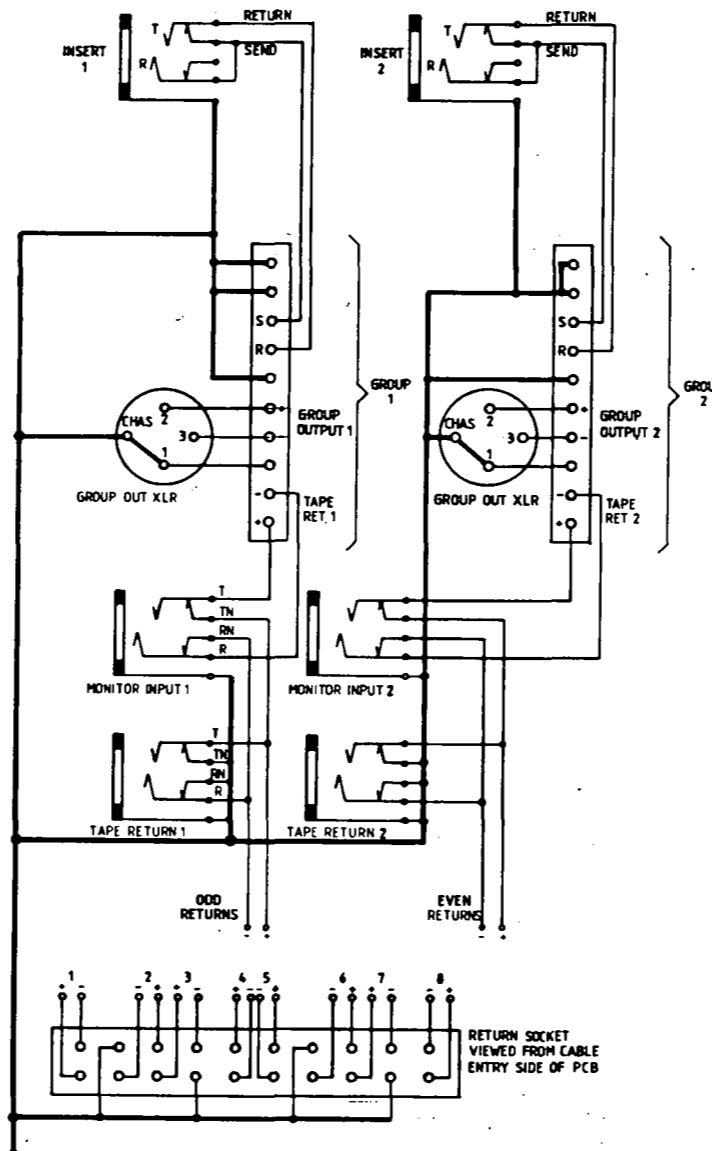
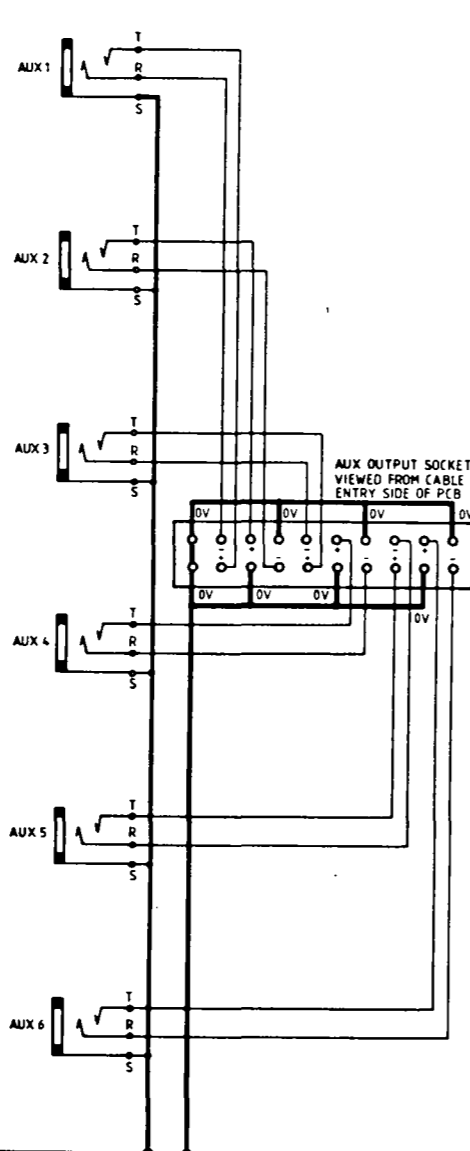
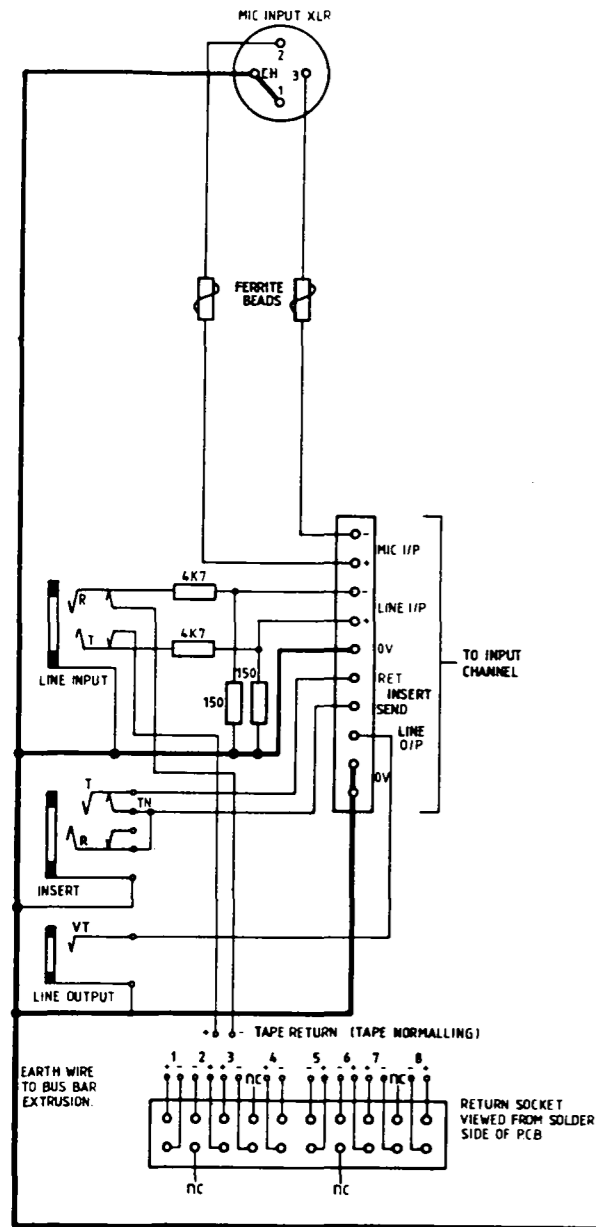
Soundcraft Electronics Limited
own the copyright of this drawing
which is not to be copied, reproduced
or disclosed, in part or whole, to a
third party without written permission.

INPUT REAR CONN. (One of eight sections shown)

AUX OUTPUT (On group rear conn. card)

GROUP OUTPUT (1 of 8)

MASTER REAR CONN.
(Connector viewed from cable entry side of PCB)



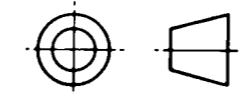
Soundcraft Electronics Limited own the copyright of this drawing which is not to be copied, reproduced or disclosed, in part or whole, to a third party without written permission.

NOTES.
XLR CONNECTORS - PIN 2 = HOT (+), PIN 3 = COLD (-)
JACK SOCKETS (INPUTS/OUTPUTS) TIP = HOT (+), RING = COLD (-)
JACK SOCKETS INSERTS, TIP = RETURN, RING = SEND

HOLE INDEX.

TOLERANCE.
All imperial dimensions ± 0.010
All metric dimensions $\pm 0.25mm$
All angles $\pm 0.50^\circ$
Unless otherwise stated.

THIRD ANGLE PROJECTION



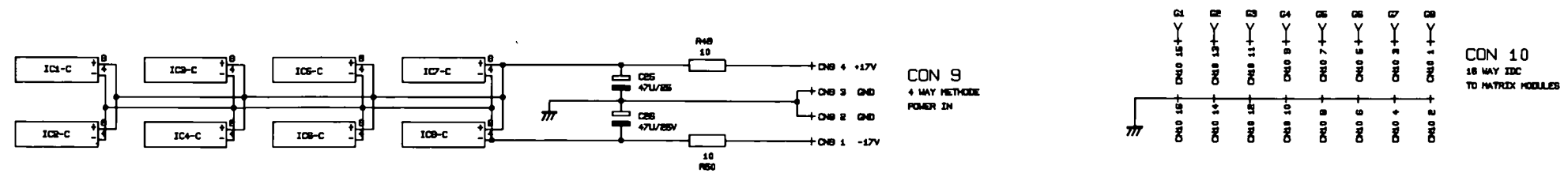
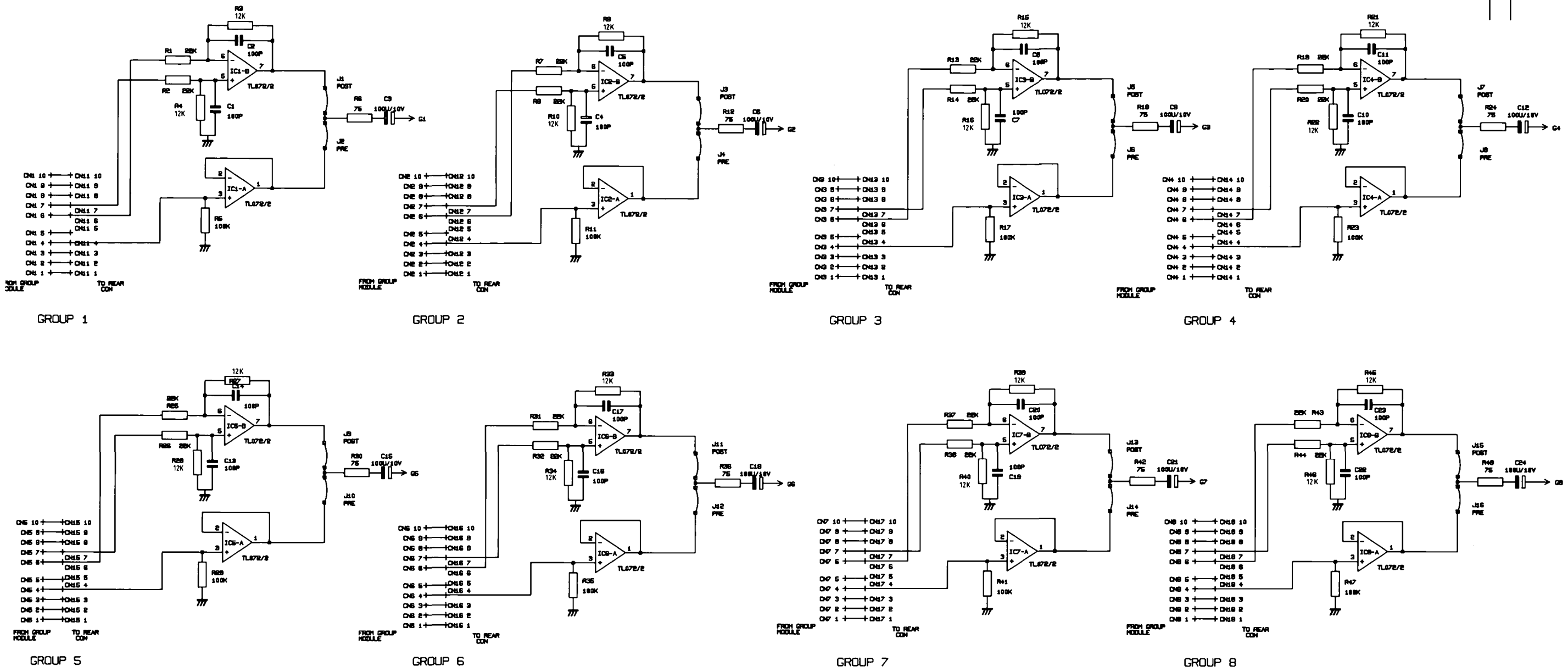
MATL. —
FINISH. —
SCALE. —

DRG. Mark
TRCD.
CHKD. *al*

SOUNDCRAFT ELECTRONICS LTD.
5-8 GREAT SUTTON STREET
LONDON, EC4V 0BX.
TELEPHONE. 01-251-3631/2/3
TELEGRAMS. SOUNDCRAFT LDN. EC1
TELEX UK 21 01 2

TITLE. S500 REAR CONNECTOR DIAGRAMS

DRG No. ED 2230



Soundcraft Electronics Limited
own the copyright of this drawing
which is not to be copied, reproduced
or disclosed, in part or whole, to a
third party without written permission.

NOTES

HOLE INDEX

TOLERANCES	
HOLE SIZES AFTER PAINTING	
0-3mm	+0.10
OVER 3-6mm	+0.12
OVER 6-10mm	+0.15
OVER 10-18mm	+0.18
OVER 18-25mm	+0.21
OVER 25mm	+0.25

GENERAL TOLERANCES	
Delete where not applicable.	
± 0.50 mm (0.020")	
± 0.25 mm (0.010")	
± 0.12 mm (0.005")	
All angles ± 0.50°	
Hole centres ± 0.004"	

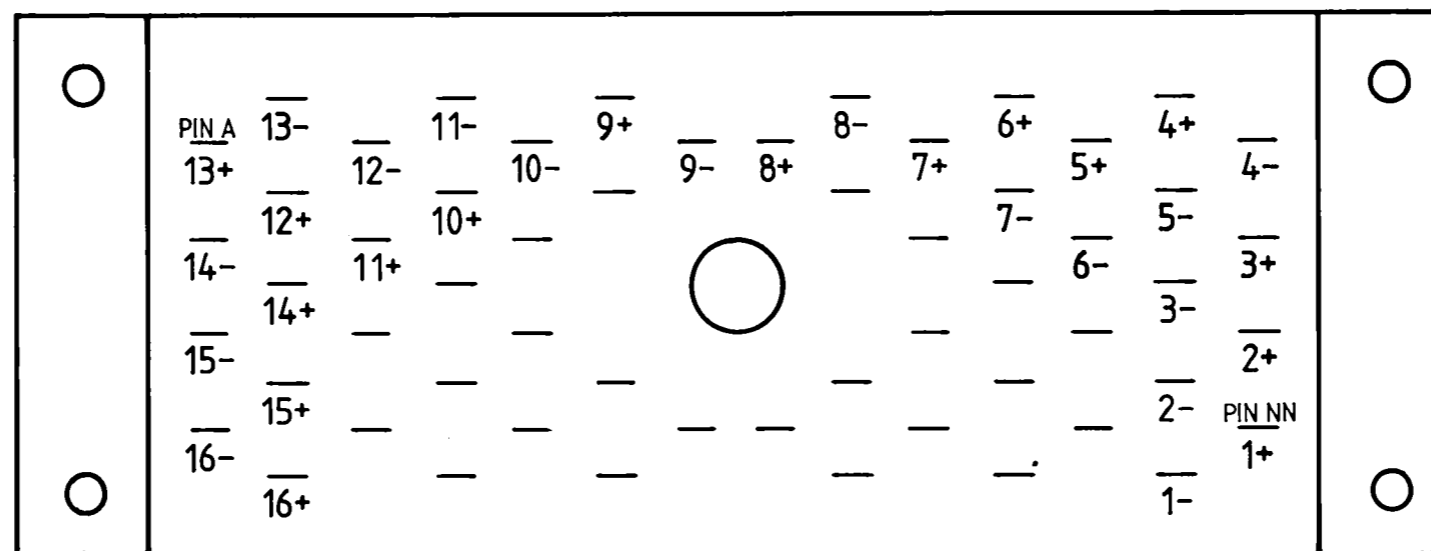
Unless otherwise stated.

MATL	DRN
FINISH	TRCD
SCALE	CHKD
THIRD ANGLE PROJECTION THIS DRAWING TO COMPLY TO BS308.	

SOUNDCRAFT ELECTRONICS LTD
UNIT 2,
BOREHAMWOOD INDUSTRIAL PARK,
ROWLEY LANE,
BOREHAMWOOD,
HERTFORDSHIRE WD6 5PZ.
TELEPHONE: 01-207-5050
FACSIMILE No. 2070194

TITLE:
S500 MATRIX
INTERFACE BOARD

DRG No. ED 2659



VIEWED FROM SOLDER SIDE OF FREE CONNECTOR

TOLERANCES
HOLE SIZES AFTER PAINTING

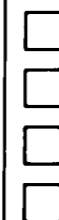
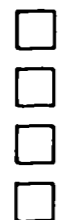
0-3mm	- + 0.10
	- 0.00
OVER 3-6mm	- + 0.12
	- 0.00
OVER 6-10mm	- + 0.15
	- 0.00
OVER 10-18mm	- + 0.18
	- 0.00
OVER 18-25mm	- + 0.21
	- 0.00
OVER 25mm	- + 0.25
	- 0.00

GENERAL TOLERANCE
Delete where not applicable.

± 0.50mm (0.020")
± 0.25mm (0.010")
± 0.12mm (0.006")

HOLE CENTRES ± 0.004"
ALL ANGLES ± 0.50°
Unless otherwise stated.

HOLE INDEX



MATL

FINISH

SCALE

DRN
BTB

TRCD

CHKD



THIRD ANGLE PROJECTION
THIS DRAWING TO COMPLY
TO BS308.

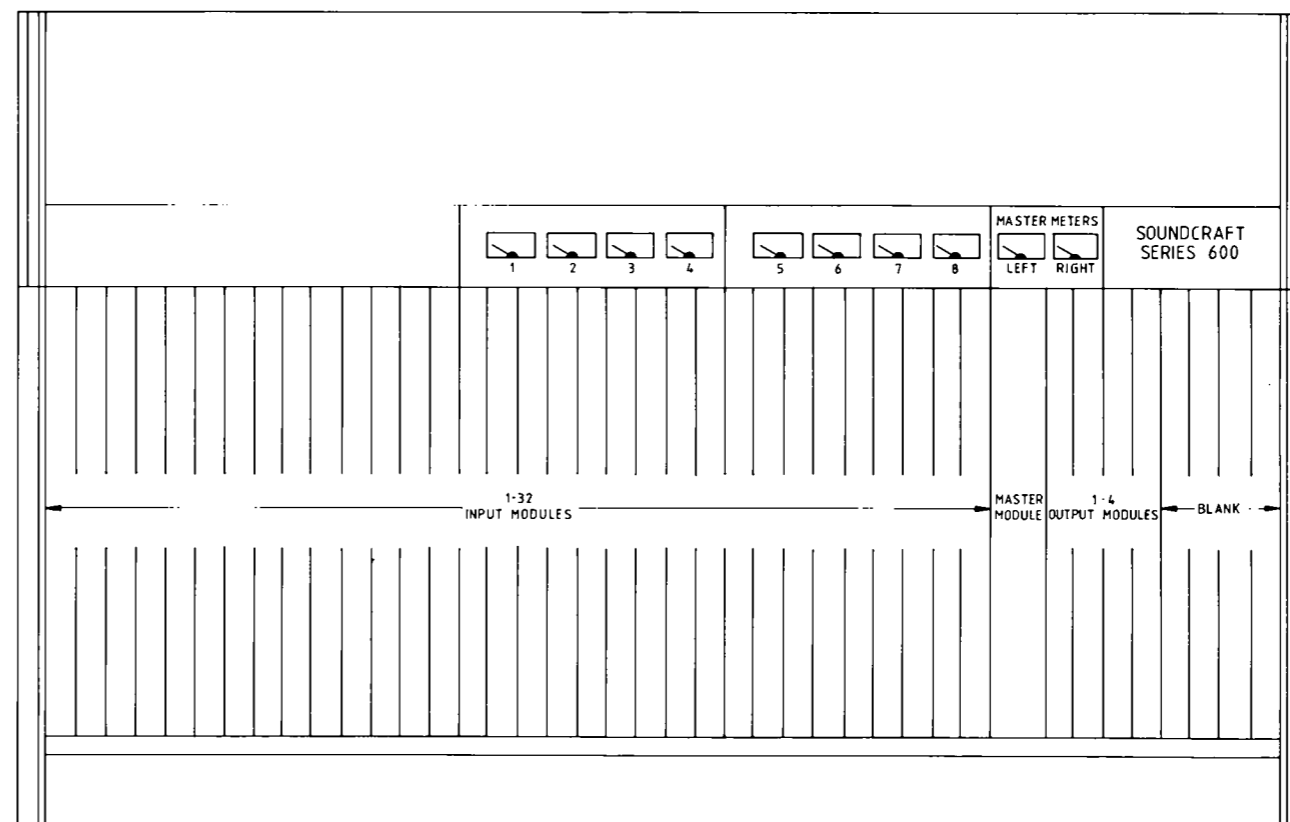
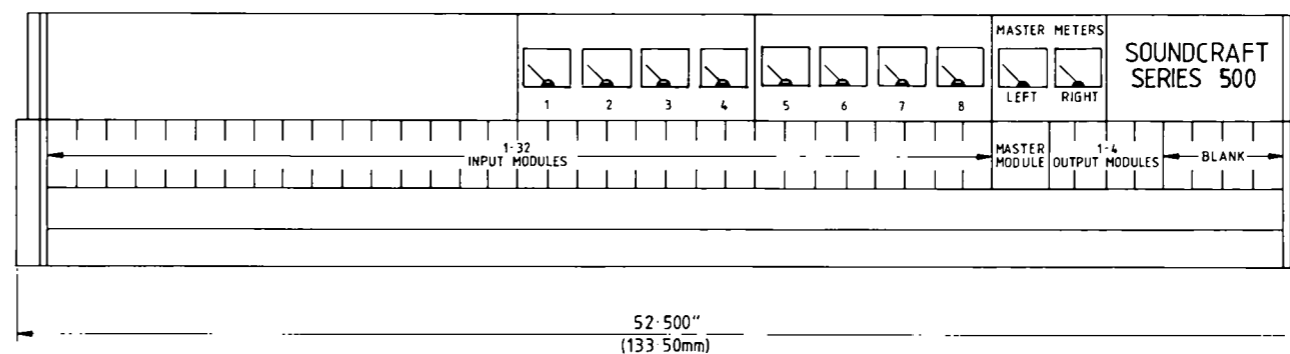
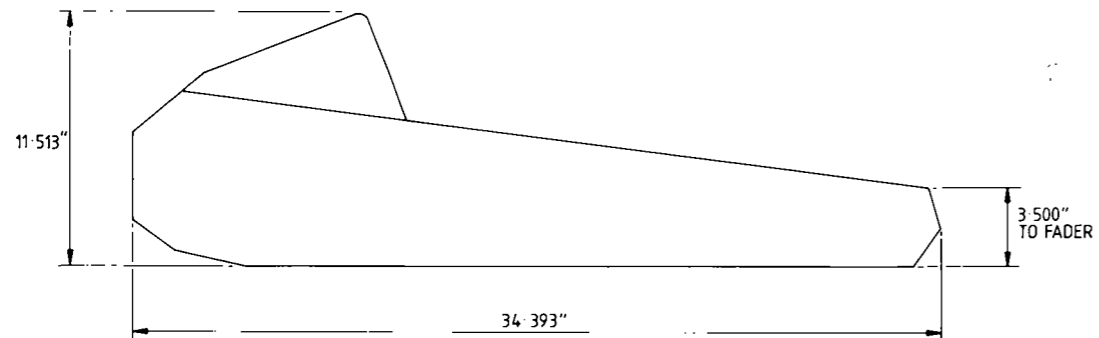
SOUNDCRAFT ELECTRONICS LTD
UNIT 2,
BOREHAMWOOD INDUSTRIAL PARK,
ROWLEY LANE,
BOREHAMWOOD,
HERTFORDSHIRE WD6 5PZ.
TELEPHONE: 01-207-5050
FACSIMILE No. 2070194

TITLE
S600 PATCHBAY
VARELCO BALANCED
TIE LINES

DRG. No. MI 2579

DRG No. MI 2437

Issue 1
4-4-85
Issue 2
21-11-86



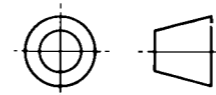
Soundcraft Electronics Limited
own the copyright of this drawing
which is not to be copied, reproduced
or disclosed, in part or whole, to a
third party without written permission.

NOTES.
16 I/P LENGTH = 825.50mm
24 I/P LENGTH = 1079.50mm

HOLE INDEX.

TOLERANCE.
All imperial dimensions ± 0.010
All metric dimensions $\pm 0.25mm$
All angles $\pm 0.50^\circ$
Unless otherwise stated.

THIRD ANGLE PROJECTION



MATL.

FINISH.

SCALE.

DRG.

TRCD.

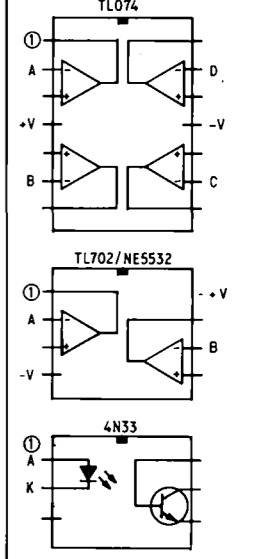
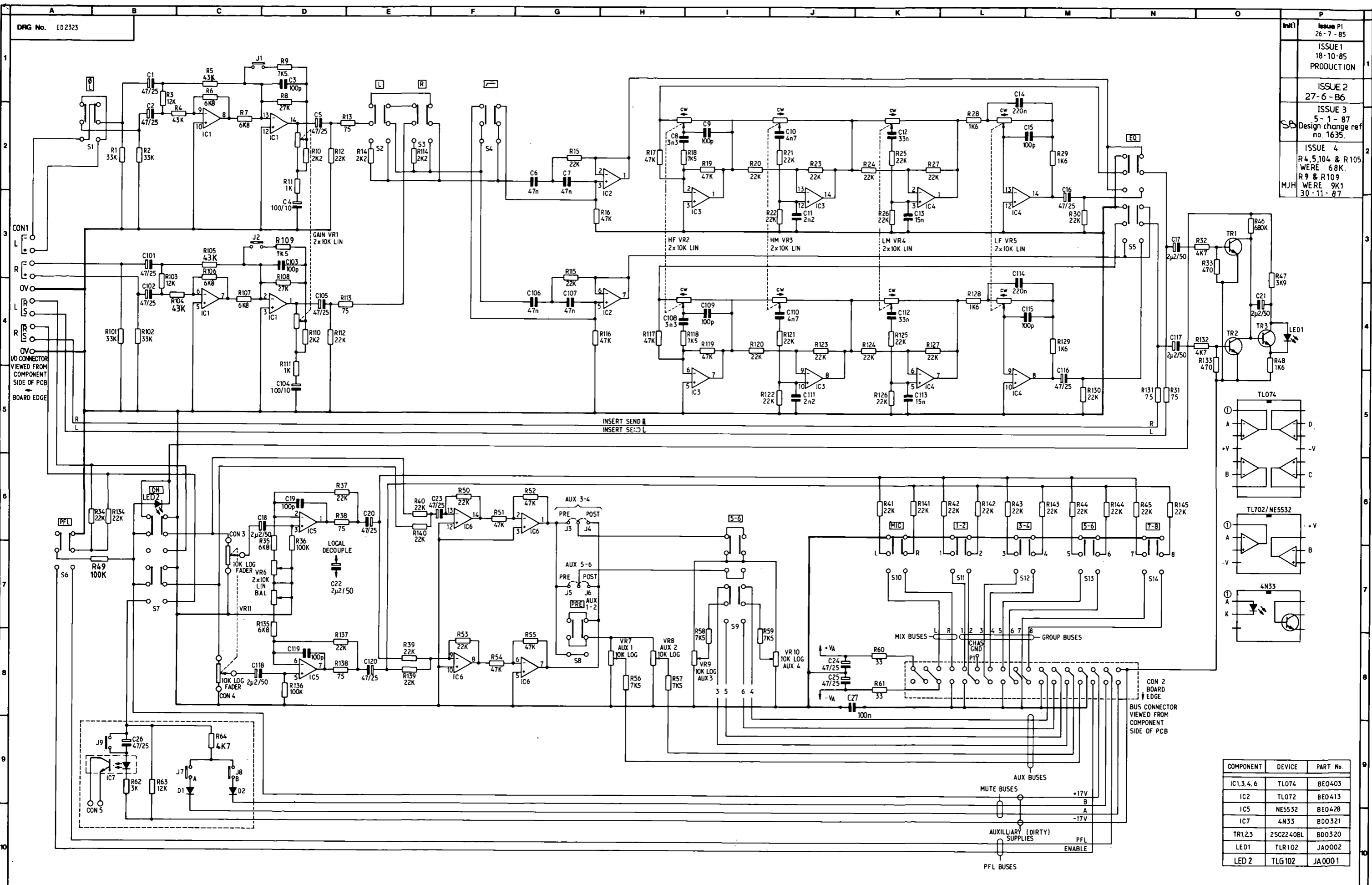
CHKD.

SOUNDCRAFT ELECTRONICS LTD.
5-8 GREAT SUTTON STREET
LONDON. EC1V. OBX.
TELEPHONE. 01-251-3631/2/3
TELEGRAMS. SOUNDCRAFT LDN. EC1
TELEX. UK No. 2119B. USA No. 01-2203

TITLE.
S500
CONSOLE SCHEMATIC
LAYOUT

DRG No. MI 2437

Issue P1	26-7-85
ISSUE 1	18-10-85
PRODUCTION	
ISSUE 2	27-6-86
ISSUE 3	5-1-87
Design change ref	no. 1635.
ISSUE 4	
R 4, 5, 104 & R 105	WERE 68K.
R 9 & R 109	WERE 9K1
MJH	30-11-87



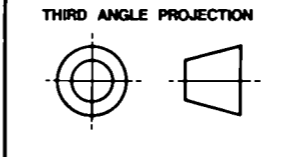
COMPONENT	DEVICE	PART No.
IC1,3,4,6	TL074	BEO403
IC2	TL072	BEO413
IC5	NE5532	BEO428
IC7	4N33	B00321
TR1,2,3	2SC2240BL	B00320
LED1	TLR102	JA0002
LED 2	TLG102	JA0001

Soundcraft Electronics Limited own the copyright of this drawing which is not to be copied, reproduced or disclosed, in part or whole, to a third party without written permission.

NOTES.

HOLE INDEX.

TOLERANCE.
 All imperial dimensions ± 0.010
 All metric dimensions $\pm 0.25\text{mm}$
 All angles $\pm 0.50^\circ$
 Unless otherwise stated.



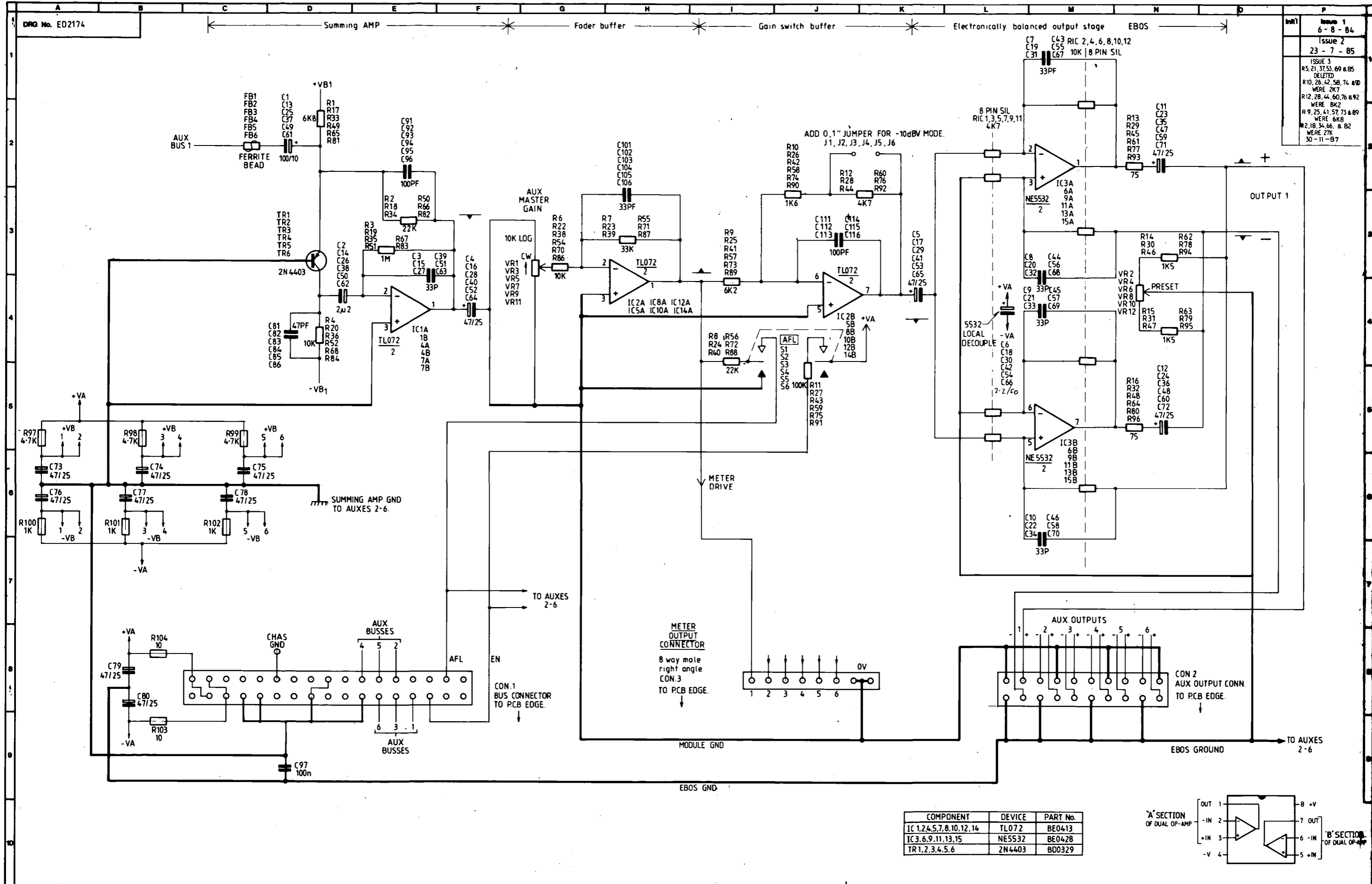
MATL.
FINISH.
SCALE.

DRG. CHRIS
TRCD.
CHKD.

SOUNDRAFT ELECTRONICS LTD.
 5-8 GREAT SUTTON STREET
 LONDON. EC4V 0BX.
 TELEPHONE. 01-251-3831/2/3
 TELEGRAMS. SOUNDRAFT LDN. EC1
 TELEX. UK No. 21198. USA No. 01-2203

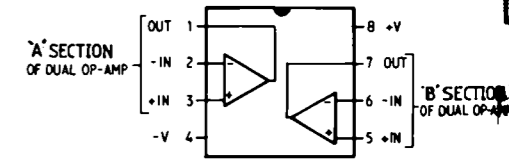
TITLE.
 S600
 STEREO INPUT MODULE
 CIRCUIT DIAGRAM

DRG No. ED2323



ISSUE 1	6-8-84
ISSUE 2	23-7-85
ISSUE 3	R5, 21, 37, 53, 69 & 85 DELETED
	R10, 26, 42, 58, 74 & 80 WERE 2K7
	R12, 28, 44, 60, 76 & 82 WERE 8K2
	R9, 25, 41, 57, 73 & 89 WERE 6K8
	R2, 18, 34, 66, & 82 WERE 27K
	30-11-87

COMPONENT	DEVICE	PART No.
IC 1,2,4,5,7,8,10,12,14	TL072	BE0413
IC 3,6,9,11,13,15	NE5532	BE0428
TR 1,2,3,4,5,6	2N4403	BD0329

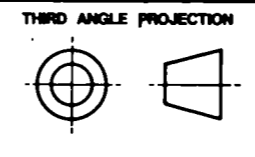


Soundcraft Electronics Limited own the copyright of this drawing which is not to be copied, reproduced or disclosed, in part or whole, to a third party without written permission.

NOTES.
Only 1 section shown the other 5 sections are identical, component numbers shown for all 6, with Aux 1 at the top.
All connectors viewed from component side of P.C.B.

HOLE INDEX.

TOLERANCE.
All imperial dimensions ± 0.010
All metric dimensions $\pm 0.25mm$
All angles $\pm 0.50^\circ$
Unless otherwise stated.



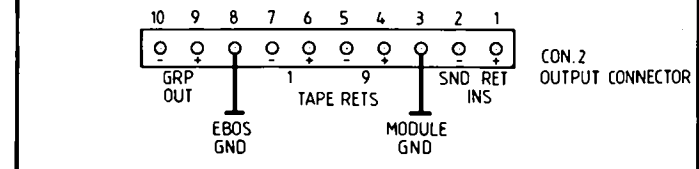
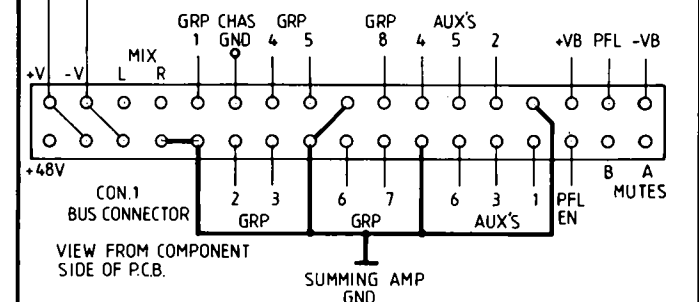
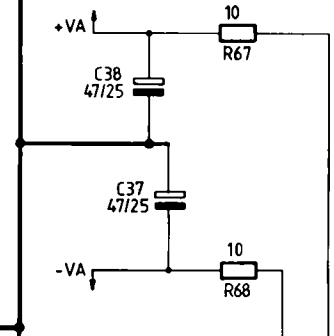
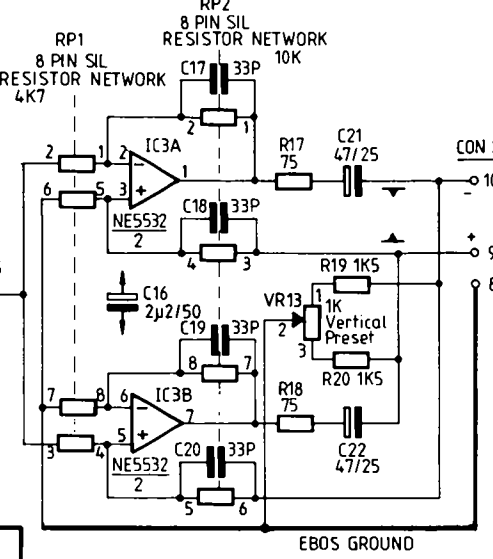
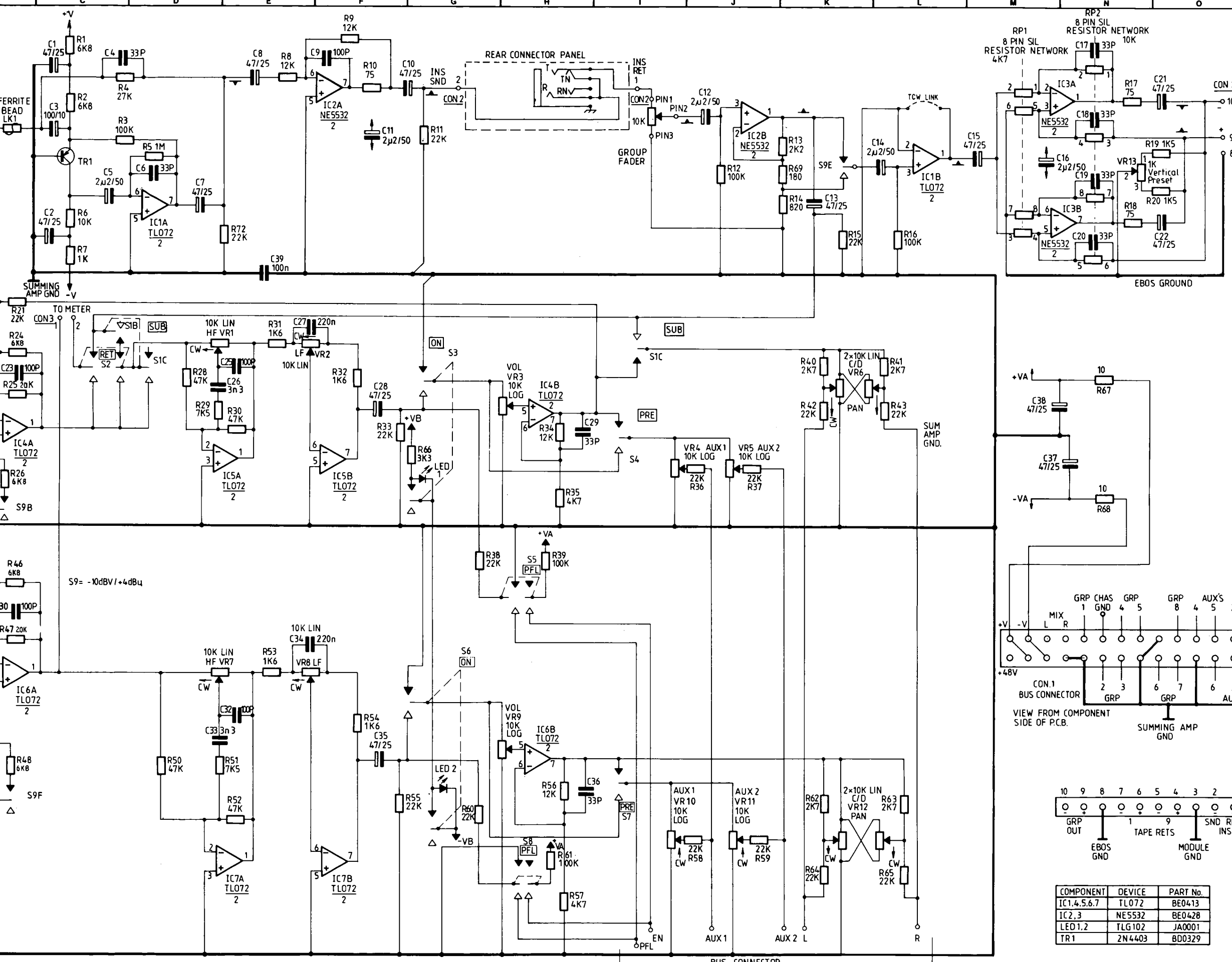
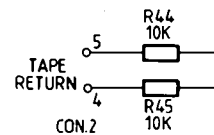
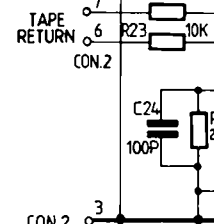
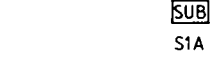
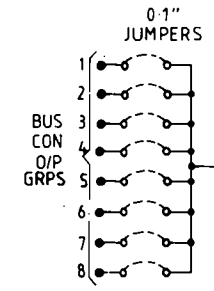
MATL.
FINISH.
SCALE.

DRG. DS
TRCD. Sharon
CHKD.

SOUNDRAFT ELECTRONICS LTD.
5-8 GREAT SUTTON STREET
LONDON. EC1V. 0BX.
TELEPHONE. 01-251-3631/2/3
TELEGRAMS. SOUNDRAFT LDM. EC1
TELEX. UK No. 21198. USA No. 01-2203

TITLE. S5001/600
AUX MASTER L.H.
(CIRCUIT DIAGRAM)

DRG No. E02174



COMPONENT	DEVICE	PART No.
IC1,4,5,6,7	TL072	BE0413
IC2,3	NE5532	BE0428
LED1,2	TLG102	JA0001
TR1	2N4403	BD0329

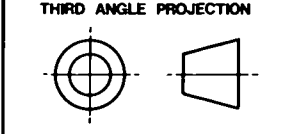
Issue	Date
Issue 1	29 - 8 - 84
Issue 2	17 - 12 - 84
Issue	16 - 1 - 85
Issue 4	18 - 2 - 85
Issue 5	25 - 7 - 85
ISSUE 6	R24, 26, 46 & 48 WERE 4K3 R25, 27, 47 & 49 WERE 12K ALSO R70 DELETED R71 REPLACED BY TCW LINK 30/11/87

Soundcraft Electronics Limited own the copyright of this drawing which is not to be copied, reproduced or disclosed, in part or whole, to a third party without written permission.

NOTES.
All resistors in ohms.
All capacitors in micro farads.
Unless otherwise stated.

HOLE INDEX.
LAST USED R70
C39

TOLERANCE.
All imperial dimensions ±0.010
All metric dimensions ±0.25mm
All angles ±0.50°
Unless otherwise stated.

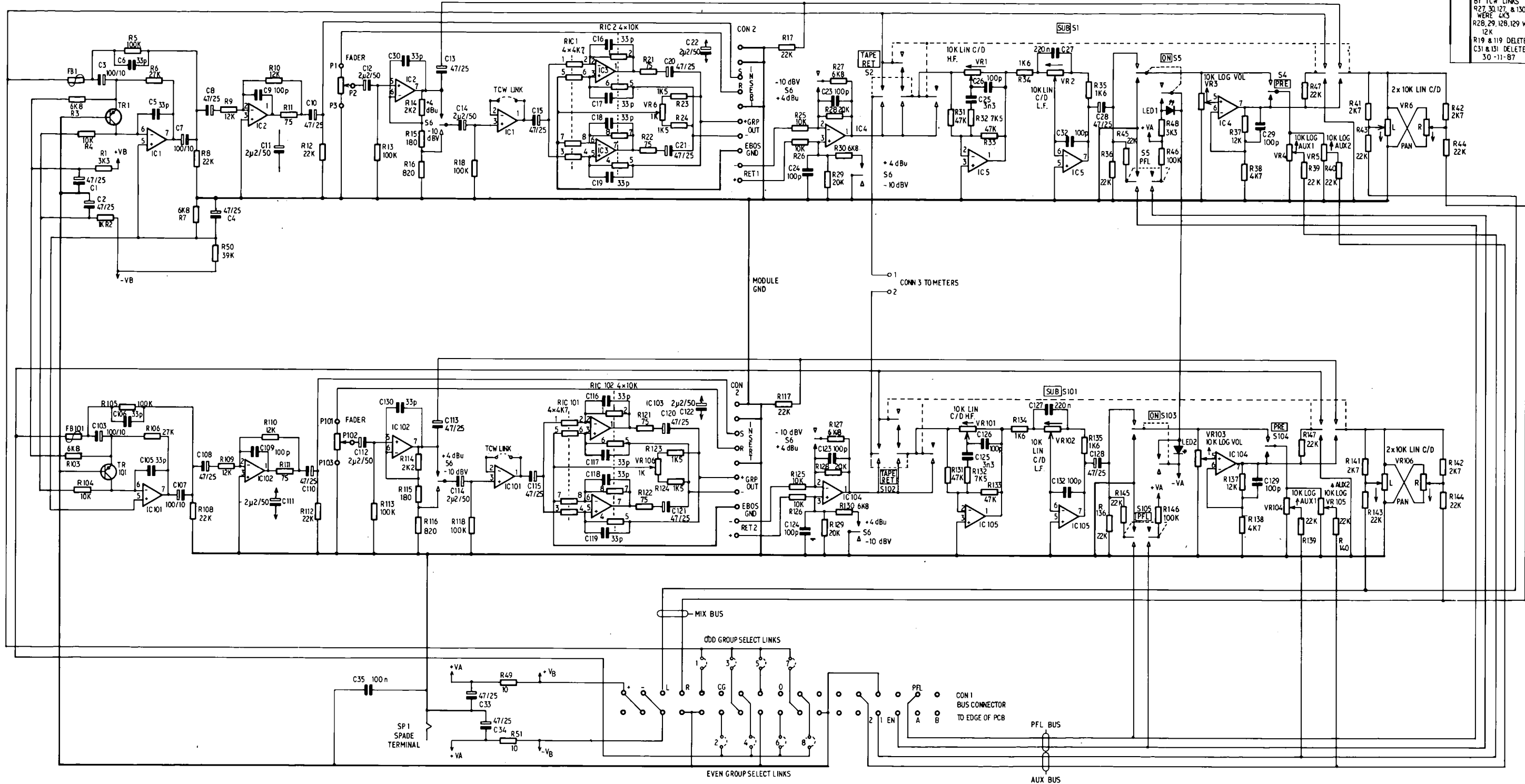


MATL.
FINISH.
SCALE.

DRG.
SOUNDRAFT ELECTRONICS LTD.
5-8 GREAT SUTTON STREET
LONDON, EC4V 0BX.
TELEPHONE. 01-251-3831/2/3
TELEGRAMS. SOUNDRAFT LDM, EC1
TELEX. UK No. 21198. USA No. 01-2203

TITLE. S 600
STANDARD OUTPUT
CIRCUIT DIAGRAM
DRG No. ED2177

Issue 5 REDRAWN 24 - 7 - 85
Issue 6 COMPONENTS ADDED 7 - 8 - 85
Issue 7 R20 & R120 REPLACED BY TCW LINKS R27, 30, 127, & 130 WERE 4K5 R28, 29, 128, 129 WERE 12K R19 & 119 DELETED C31 & 131 DELETED 30 - 11 - 87



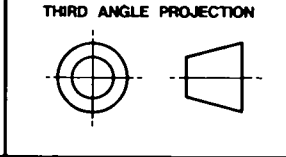
COMPONENT	DEVICE	PART NO
IC 2,3,102,103	NE 5532	BE0 428
IC 1,4,5,101,104,105	TL072	BE0 413
TR 1,101	2N4403	BDO 329
LED 1,2	TLG102	JA0001

Soundcraft Electronics Limited own the copyright of this drawing which is not to be copied, reproduced or disclosed, in part or whole, to a third party without written permission.

NOTES.

HOLE INDEX.

TOLERANCE.
All imperial dimensions ± 0.010
All metric dimensions $\pm 0.25\text{mm}$
All angles $\pm 0.50^\circ$
Unless otherwise stated.



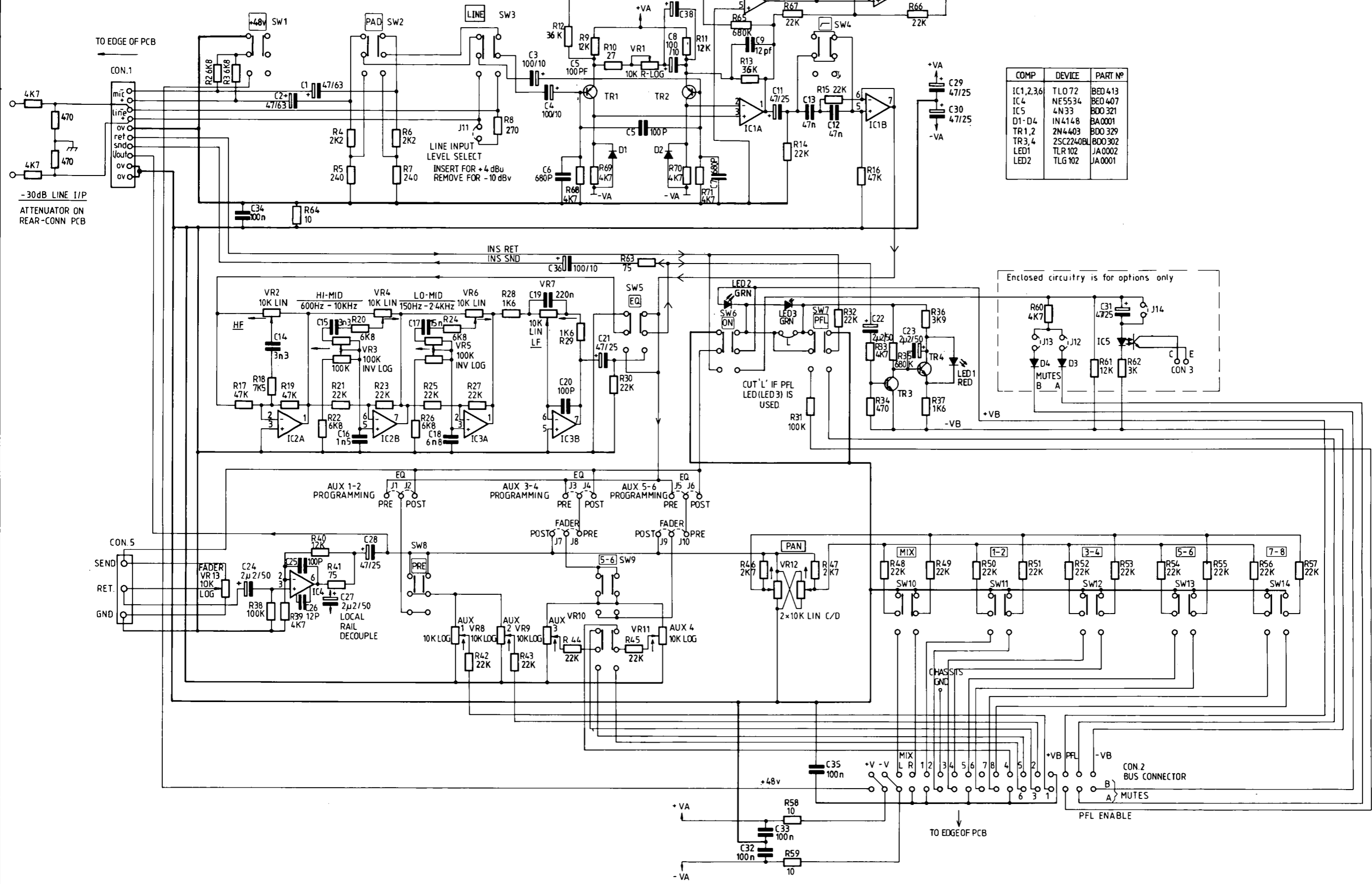
MATL.
FINISH.
SCALE.

DRG. CHRIS
TRCD.
CHKD.

SOUNDRAFT ELECTRONICS LTD.
5-8 GREAT SUTTON STREET
LONDON, EC 4V, OBX.
TELEPHONE. 01-251-3631/2/3
TELEGRAMS. SOUNDRAFT LDN. EC1
TELEX. UK No. 21198. USA No. 01-2203

TITLE. S 500
STANDARD 0/P

DRG No. ED 2176 (SC 1493 ISS 3)



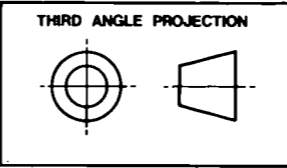
Issue	Date
Issue 1	21-8-84
Issue 2	18-10-84
Issue 3	19-7-85
Issue 4	17-1-86
Issue 5	FADER TERMINATE AT CON. 5
Issue 6	MIC AMP CIR. AND C36 ADDED 2-3-87
Issue 7	Remove R1 & C10 R11-12 was 7K5 R68-R72 replace RIC 1. R58/R59-10 was 75 26-6-87
Issue 8	R12 & R13 WERE 75K 30-11-87

Soundcraft Electronics Limited own the copyright of this drawing which is not to be copied, reproduced or disclosed, in part or whole, to a third party without written permission.

NOTES. ALL CONNECTORS VIEWED FROM COMPONENT SIDE OF PCB

HOLE INDEX.

TOLERANCE.
 All imperial dimensions ± 0.010
 All metric dimensions $\pm 0.25mm$
 All angles $\pm 0.5^\circ$
 Unless otherwise stated.



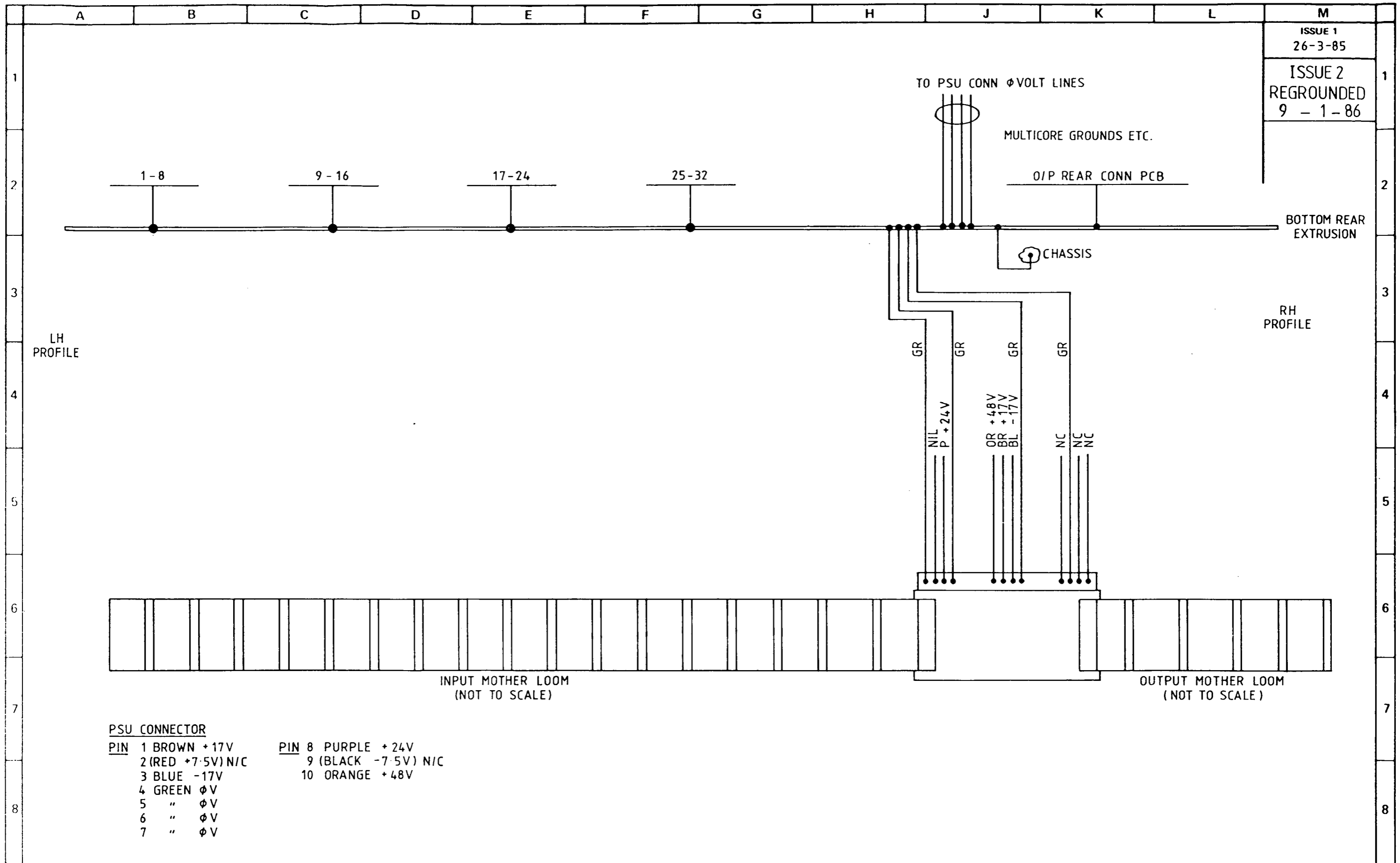
MATL. _____
FINISH. _____
SCALE. _____

DRG. _____
TRCD. Sharon
CHKD. _____

SOUNDCRAFT ELECTRONICS LTD.
 5-8 GREAT SUTTON STREET
 LONDON. EC1V. OBX.
 TELEPHONE. 01-251-3631/2/3
 TELEGRAMS. SOUNDCRAFT LDN. EC1
 TELEX. UK No. 21198. USA No. 01-2203

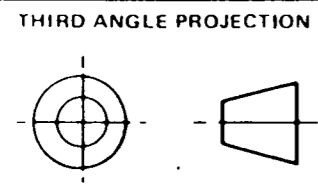
TITLE.
 S500/600 STD I/P
 CIRCUIT DIAGRAM

DRG No. ED 2162



ISSUE 1
26-3-85

ISSUE 2
REGROUNDED
9-1-86



TOLERANCE

All imperial dimensions ± 0.010

All metric dimensions $\pm 0.25\text{mm}$

All angles $\pm 0.50^\circ$

Unless otherwise stated

HOLE INDEX

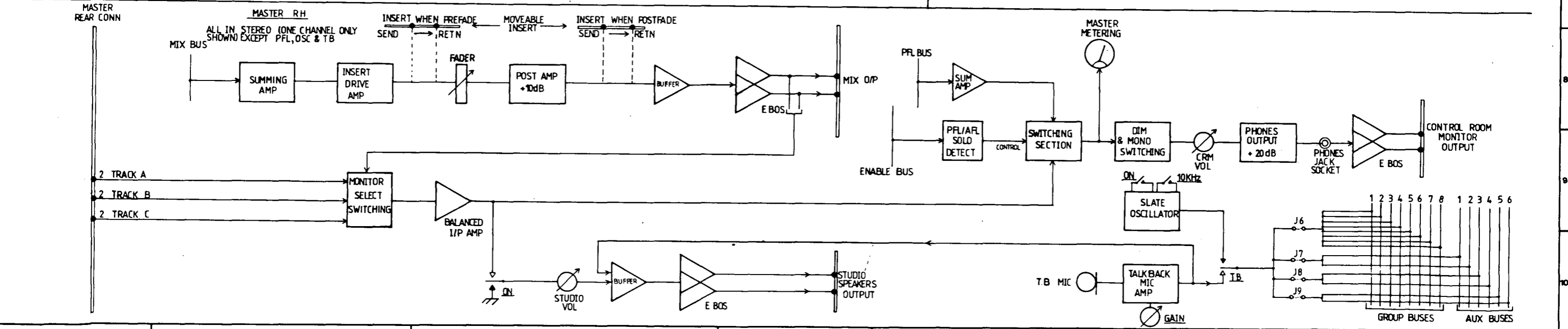
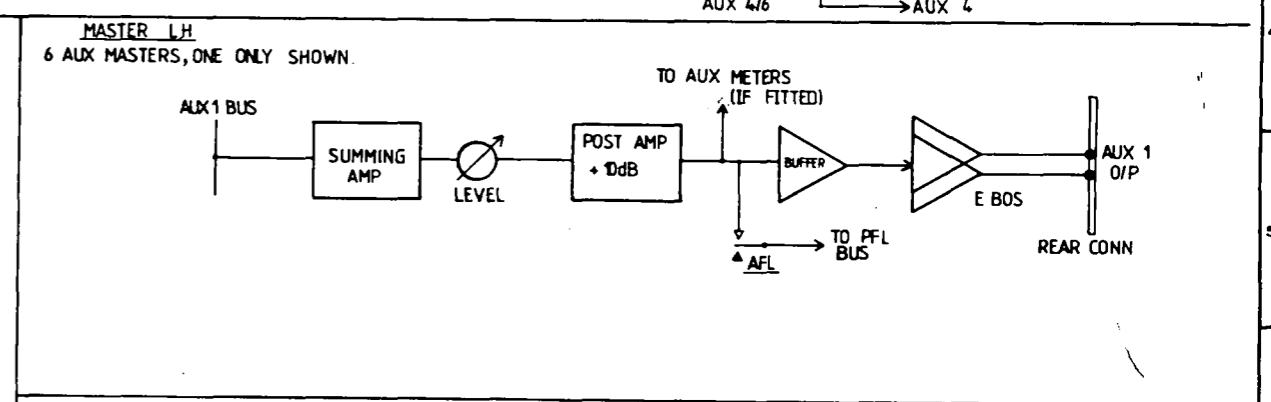
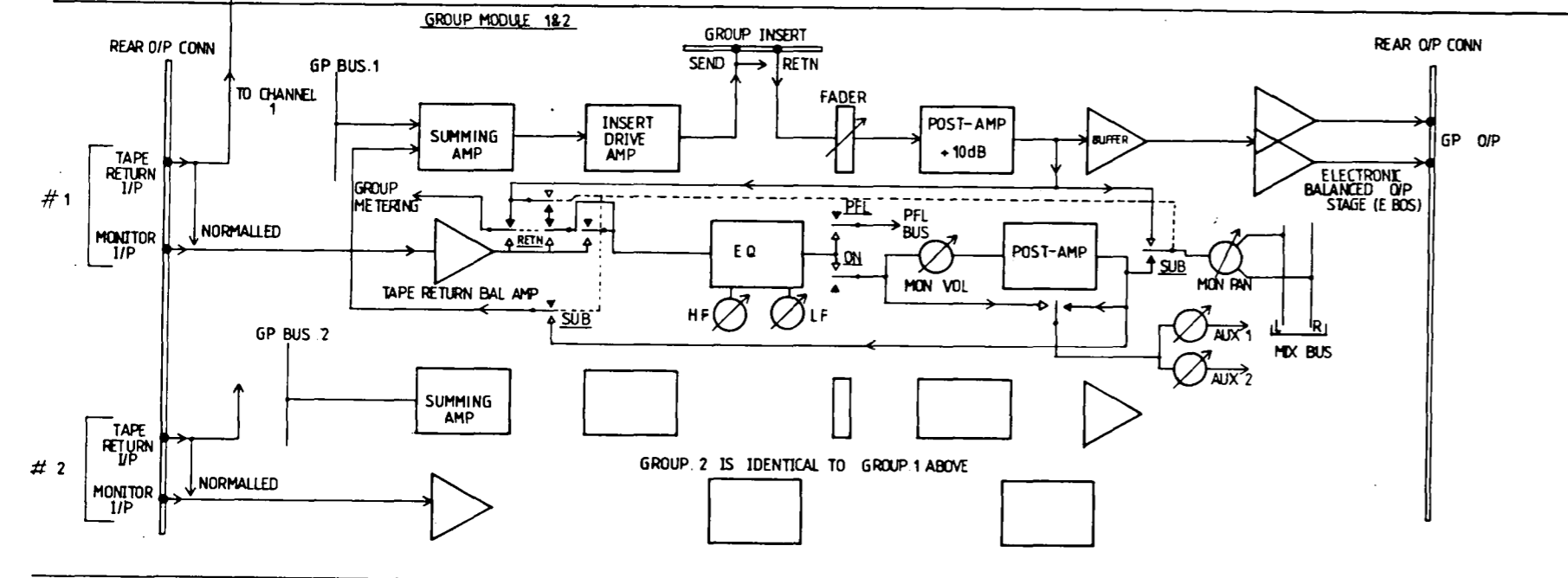
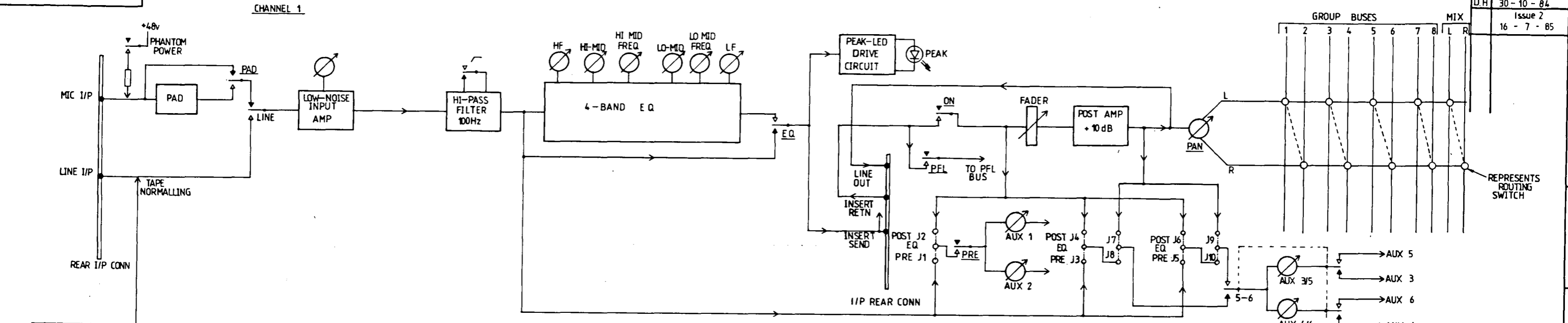
MATL	DRN
FINISH	TRCD <i>Evelyn Hamilton</i>
SCALE	CHKD

SOUNDCRAFT ELECTRONICS LTD
5-8 GREAT SUTTON STREET
LONDON EC1V 0BX.
TELEPHONE. 01-251-3631/2/3
TELEGRAMS. SOUNDCRAFT LDN EC1
TELEX. UK. No. 21198. USA. No. 224408

TITLE

S500/600
CONSOLE WIRING
DIAGRAM

DRG. No. MI 2432



Soundcraft Electronics Limited own the copyright of this drawing which is not to be copied, reproduced or disclosed, in part or whole, to a third party without written permission.

NOTES.
DETAILS OF GAIN SWITCHING NOT SHOWN

MOLE INDEX.

TOLERANCE.
All imperial dimensions ± 0.010
All metric dimensions $\pm 0.25mm$
All angles $\pm 0.50^\circ$
Unless otherwise stated.

THIRD ANGLE PROJECTION

MATL.
FINISH.
SCALE.

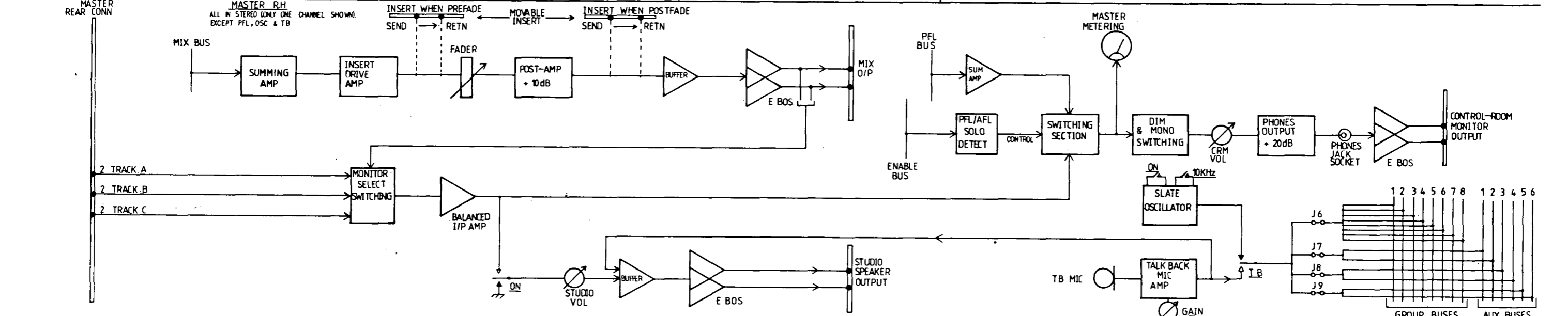
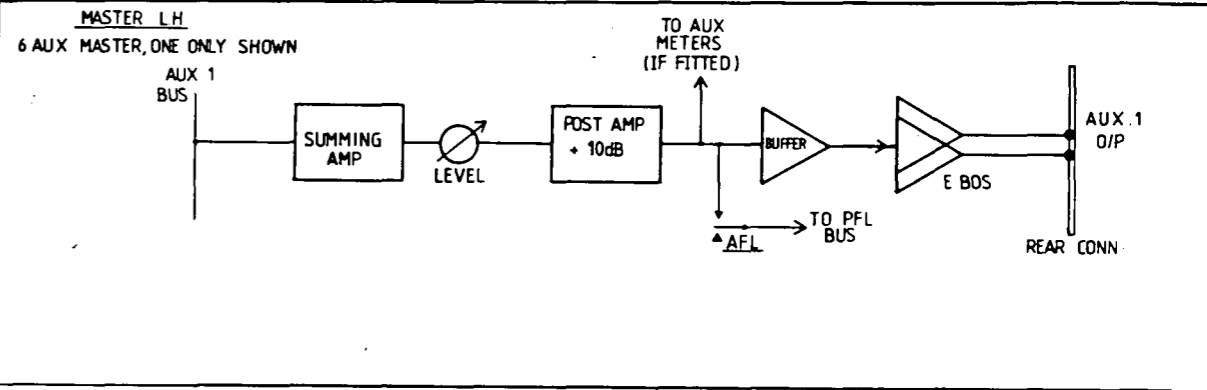
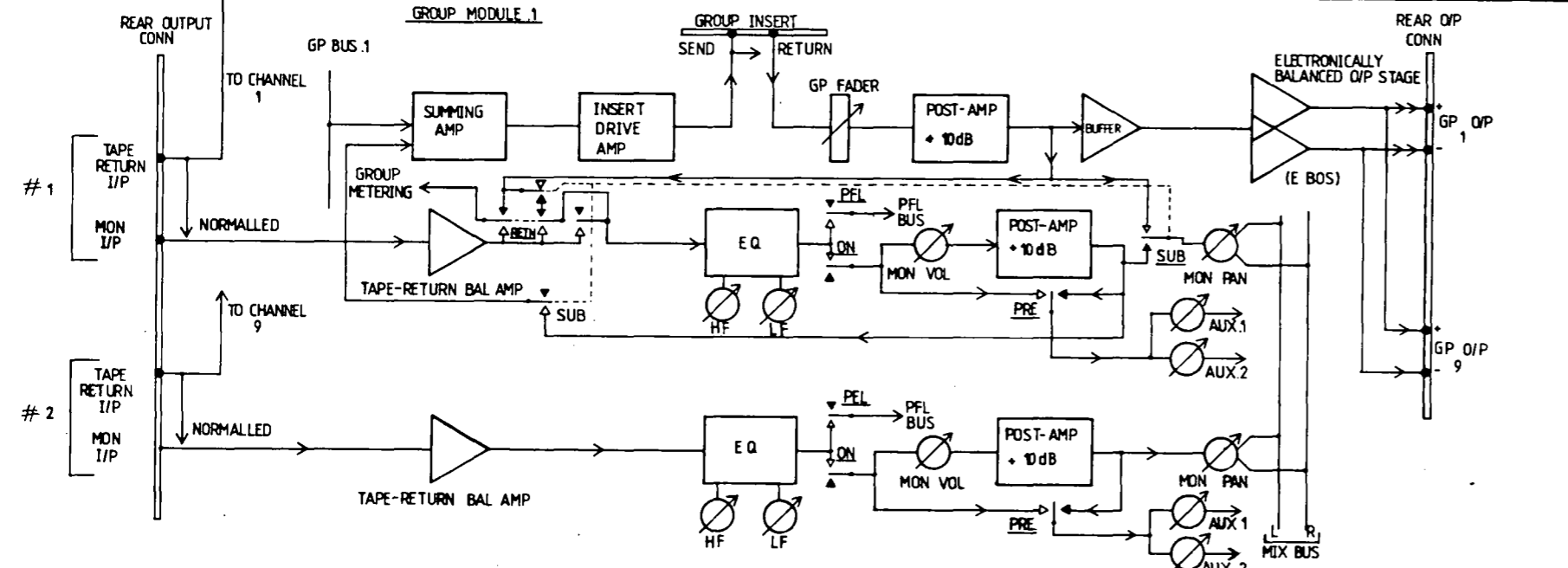
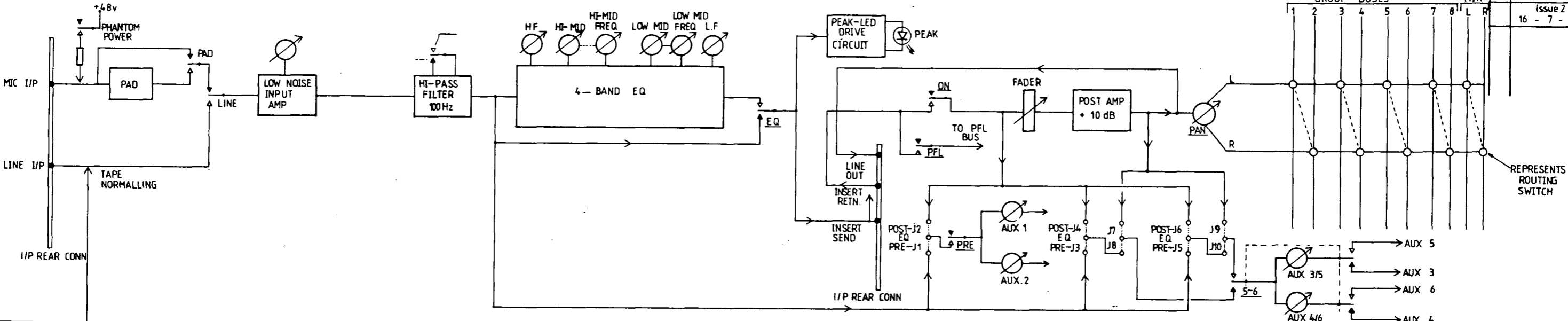
DRG. DH
TRCD.
CHKD.

SOUNDRAFT ELECTRONICS LTD.
5-8 GREAT SUTTON STREET
LONDON. EC1V. 0BX.
TELEPHONE. 01-251-3631/2/3
TELEGRAMS. SOUNDRAFT LDN. EC1
TELEX. UK No. 21198. USA No. 01-2203

TITLE. S500
BLOCK DIAGRAM

DRG No. ED 2206

CHANNEL 1



Soundcraft Electronics Limited own the copyright of this drawing which is not to be copied, reproduced or disclosed, in part or whole, to a third party without written permission.

NOTES:
DETAILS OF GAIN-SWITCHING NOT SHOWN

HOLE INDEX:
TOLERANCE:
All Imperial dimensions ± 0.010
All metric dimensions $\pm 0.25mm$
All angles $\pm 0.5^\circ$
Unless otherwise stated.

THIRD ANGLE PROJECTION

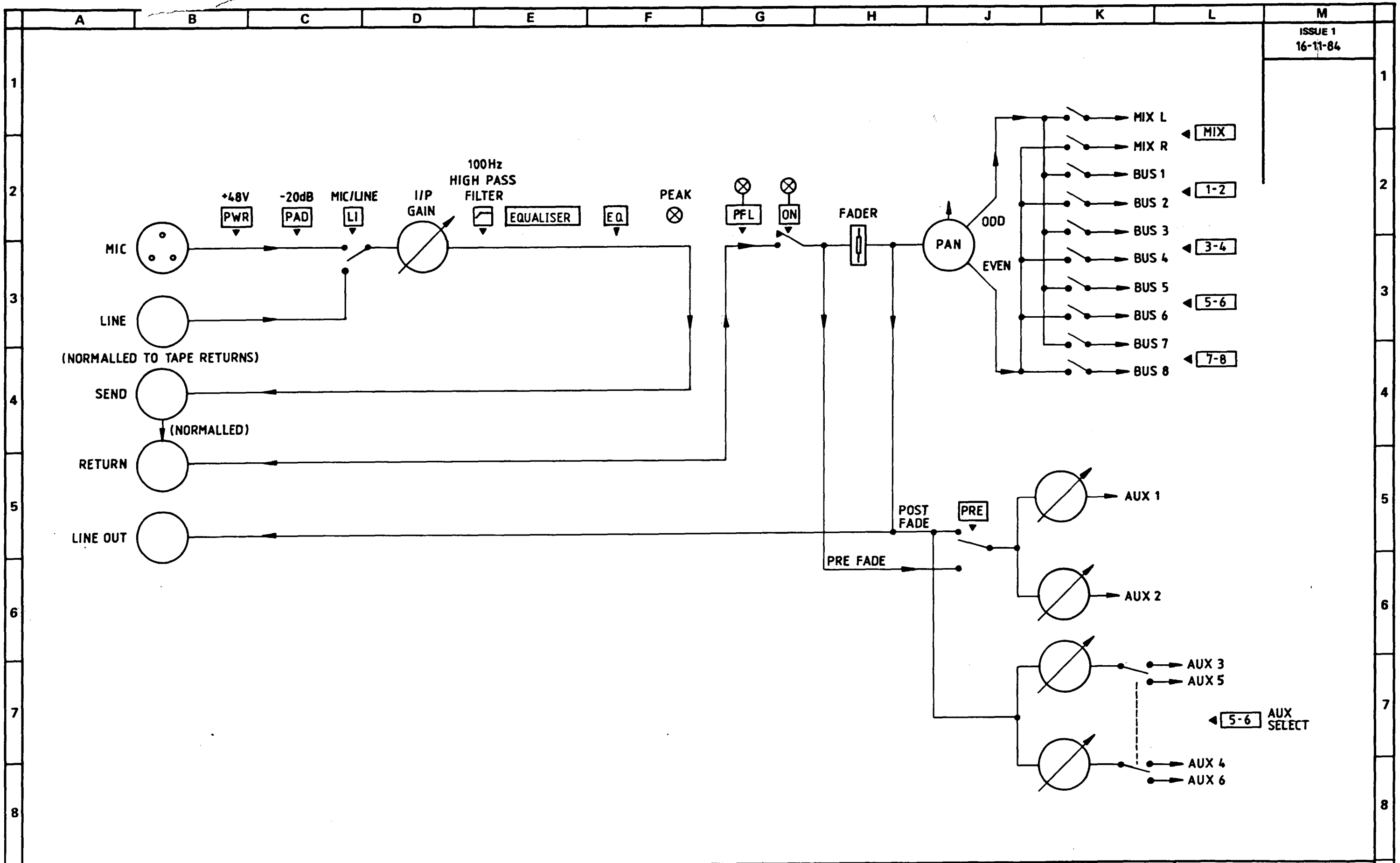
MATL.
FINISH.
SCALE.

DRG. D.H.
TRCD.
CHKD.

SOUNDCRAFT ELECTRONICS LTD.
5-8 GREAT BUTTON STREET
LONDON, EC4V 0BX.
TELEPHONE: 01-251-3631/2/3
TELEGRAMS: SOUNDCRAFT LDM, EC1
TELEX: UK No. 21198, USA No. 01-2203

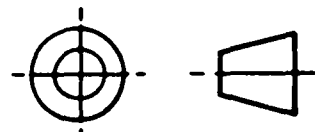
TITLE: S600
BLOCK DIAGRAM.

DRG No. ED 2207



ISSUE 1
16-11-84

THIRD ANGLE PROJECTION



TOLERANCE

All imperial dimensions ± 0.010
All metric dimensions $\pm 0.25\text{mm}$
All angles $\pm 0.50^\circ$
Unless otherwise stated

HOLE INDEX

MATL

FINISH

SCALE

DRN

TRCD

CHKD

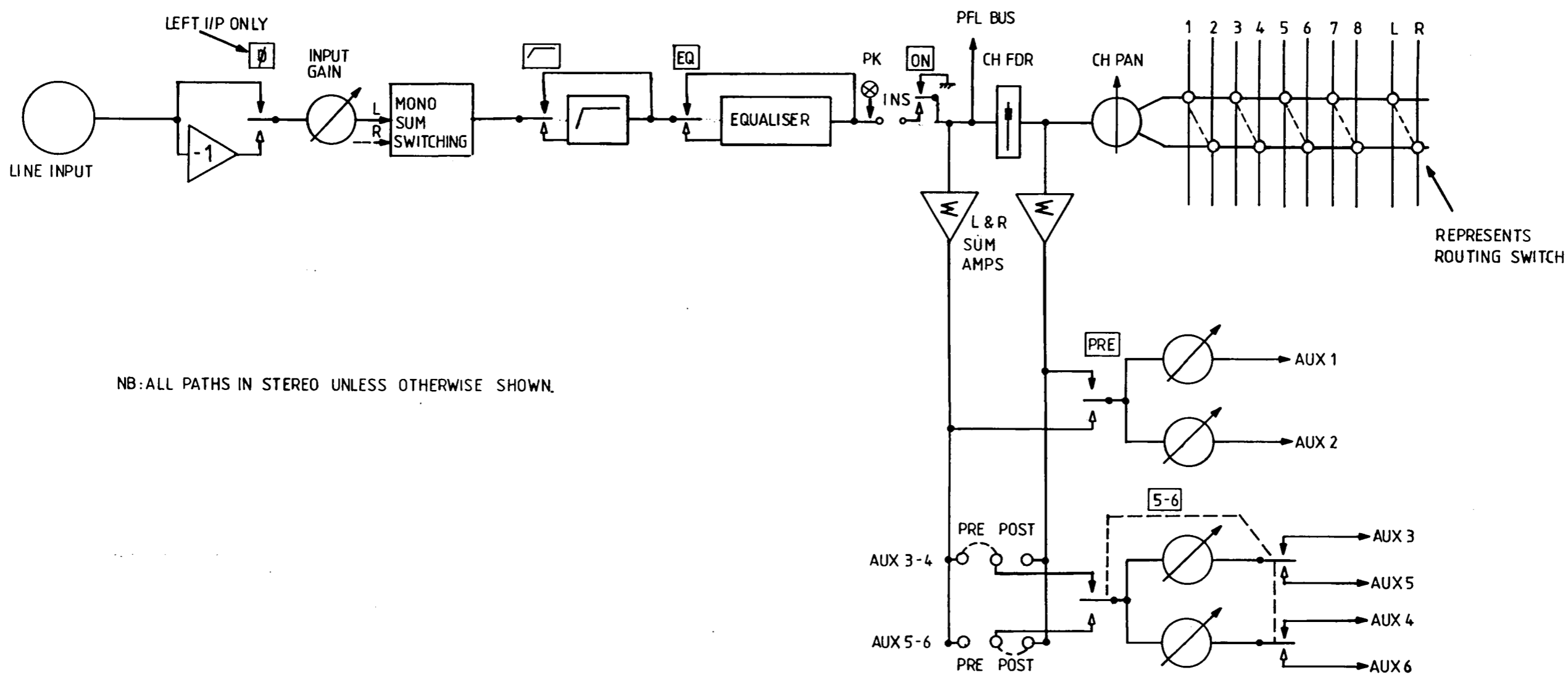
SOUNDCRAFT ELECTRONICS LTD
5-8 GREAT SUTTON STREET
LONDON EC1V 0BX.
TELEPHONE. 01-251-3631/2/3
TELEGRAMS. SOUNDCRAFT LDN EC1
TELEX. UK. No. 21198. USA. No. 224408

TITLE

S500 /600
INPUT MODULE
(SIGNAL FLOW)

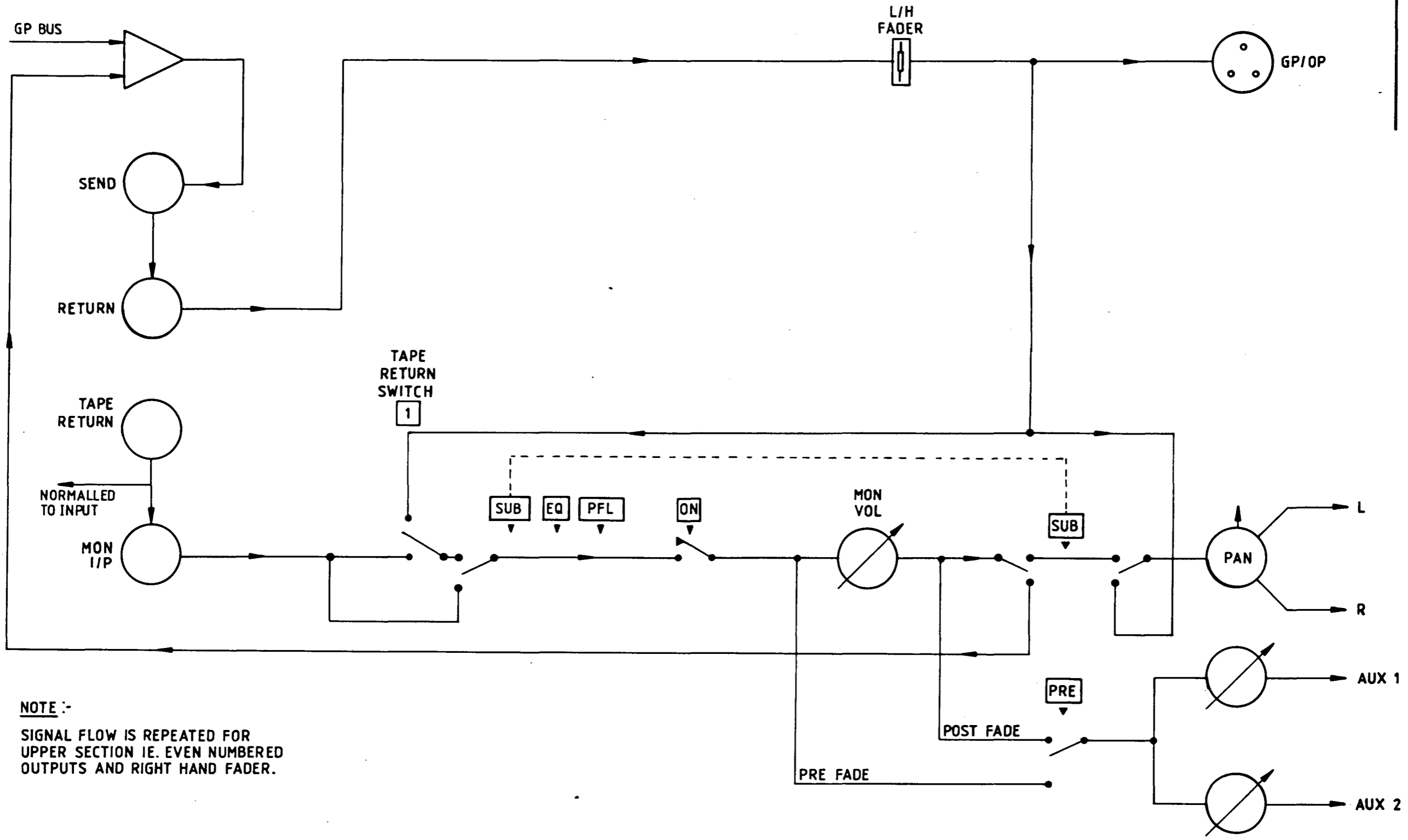
DRG. No. ED 2212

ISSUE 1
15-8-85



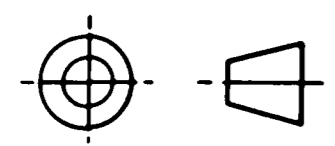
NB: ALL PATHS IN STEREO UNLESS OTHERWISE SHOWN.

<p>TOLERANCES HOLE SIZES AFTER PAINTING</p> <p>0-3mm + 0.10 - 0.00</p> <p>OVER 3-6mm + 0.12 - 0.00</p> <p>OVER 6-10mm + 0.18 - 0.00</p> <p>OVER 10-18mm + 0.18 - 0.00</p> <p>OVER 18-25mm + 0.21 - 0.00</p> <p>OVER 25mm + 0.25 - 0.00</p>	<p>GENERAL TOLERANCE</p> <p>Delete where not applicable.</p> <p>± 0.50mm (0.020")</p> <p>± 0.25mm (0.010")</p> <p>± 0.12mm (0.005")</p> <p>HOLE CENTRES ± 0.004"</p> <p>ALL ANGLES ± 0.60°</p> <p>Unless otherwise stated.</p>	<p>HOLE INDEX</p> <p><input type="checkbox"/></p> <p><input type="checkbox"/></p> <p><input type="checkbox"/></p> <p><input type="checkbox"/></p>	<p><input type="checkbox"/></p> <p><input type="checkbox"/></p> <p><input type="checkbox"/></p> <p><input type="checkbox"/></p>	<p>MATL</p> <p>FINISH</p> <p>SCALE</p> <p>THIRD ANGLE PROJECTION THIS DRAWING TO COMPLY TO BS308.</p>	<p>DRN AB</p> <p>TRCD</p> <p>CHKD <i>R. J. Thomas</i></p>	<p>SOUNDCRAFT ELECTRONICS LTD UNIT 2, BOREHAMWOOD INDUSTRIAL PARK, ROWLEY LANE, BOREHAMWOOD, HERTFORDSHIRE WD6 5PZ. TELEPHONE: 01-207-5050 FACSIMILE No. 2070194</p> <p>TITLE S500/600 STEREO I/P SIGNAL FLOW DIAG.</p> <p>DRG.No. ED 2326</p>
---	---	--	---	--	--	---



NOTE :-
SIGNAL FLOW IS REPEATED FOR UPPER SECTION I.E. EVEN NUMBERED OUTPUTS AND RIGHT HAND FADER.

THIRD ANGLE PROJECTION



TOLERANCE

All imperial dimensions ± 0.010
All metric dimensions $\pm 0.25\text{mm}$
All angles $\pm 0.50^\circ$
Unless otherwise stated

HOLE INDEX

MATL

FINISH

SCALE

DRN

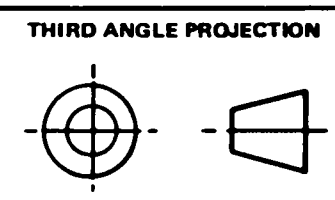
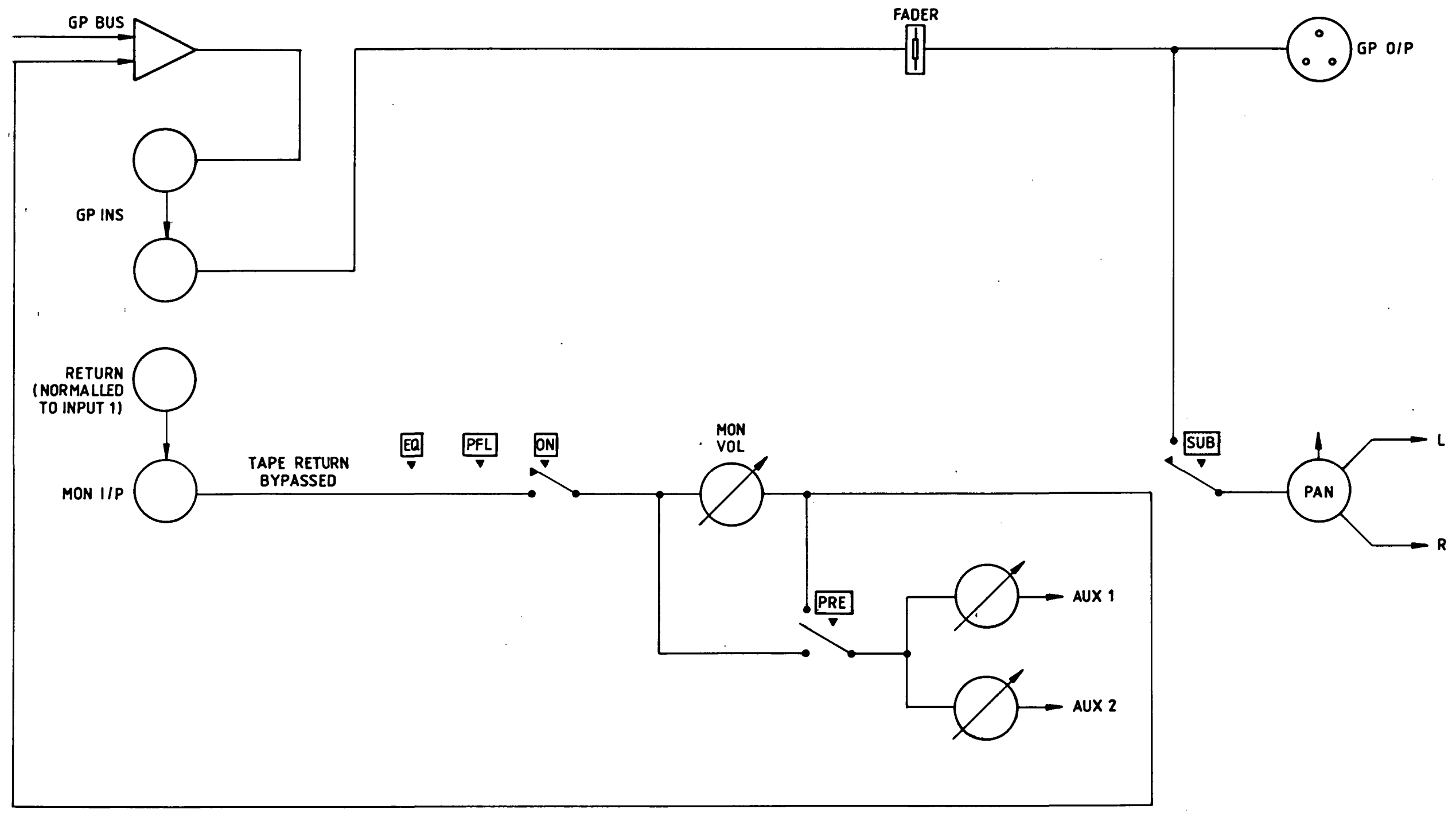
TRCD

CHKD

SOUNDCRAFT ELECTRONICS LTD
5-8 GREAT SUTTON STREET
LONDON EC1V 0BX.
TELEPHONE. 01-251-3631/2/3
TELEGRAMS. SOUNDCRAFT LDN EC1
TELEX. UK. No. 21198. USA. No. 224408

TITLE

S500
GROUP OUTPUT
MODULE SIGNAL FLOW DIA
ORG. No. ED 2215



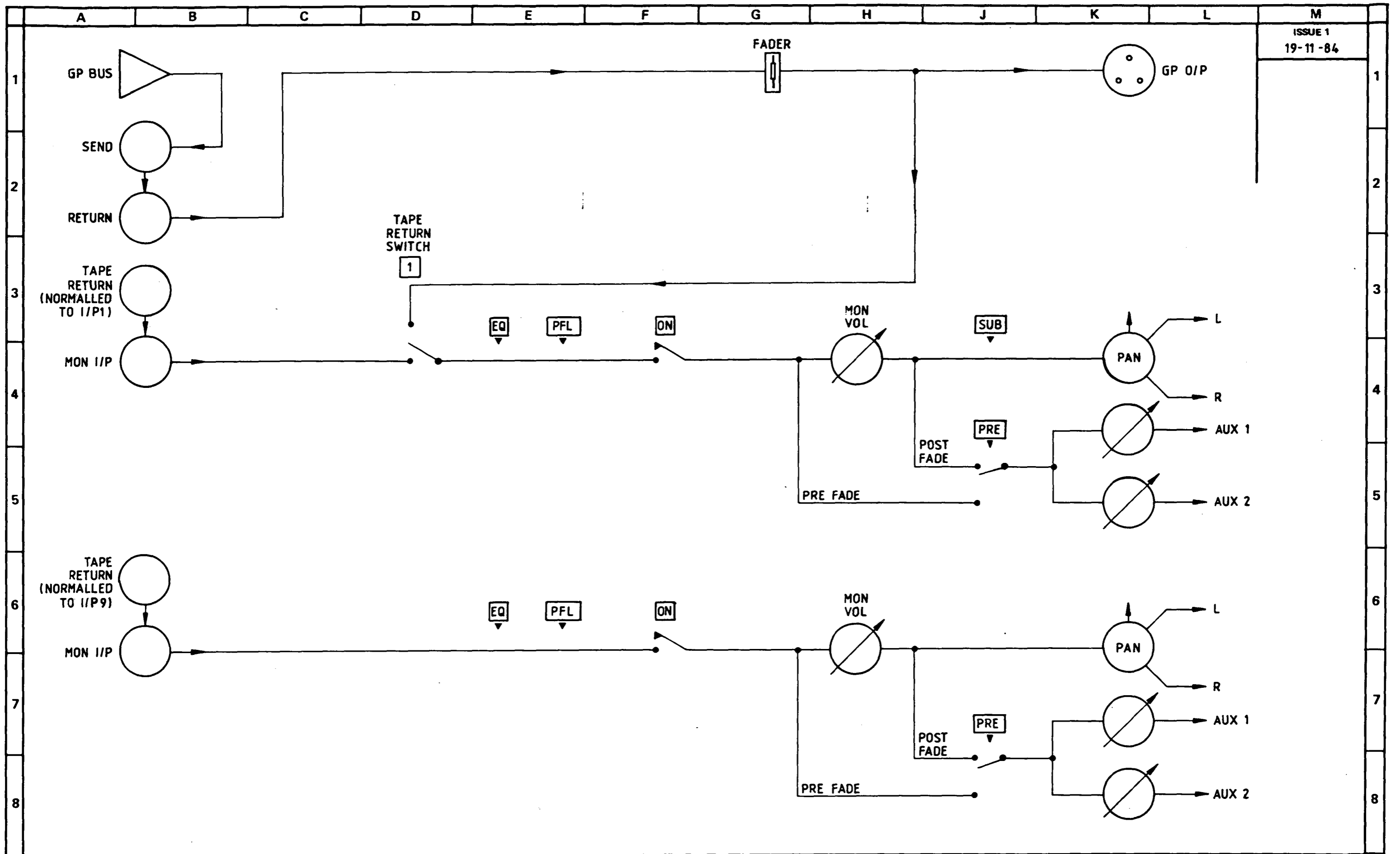
TOLERANCE
All imperial dimensions ± 0.010
All metric dimensions $\pm 0.25\text{mm}$
All angles $\pm 0.50^\circ$
Unless otherwise stated

NOTES
FOR CLARITY, TAPE RETURN
9 NOT SHOWN, SEE ED 2213

MATL	DRN
FINISH	TRCD <i>Exlyre</i>
SCALE	CHKD

SOUNDCRAFT ELECTRONICS LTD
5-8 GREAT SUTTON STREET
LONDON EC1V 0BX.
TELEPHONE. 01-261-3631/2/3
TELEGRAMS. SOUNDCRAFT LDN EC1
TELEX. UK. No. 21198. USA. No. 224408

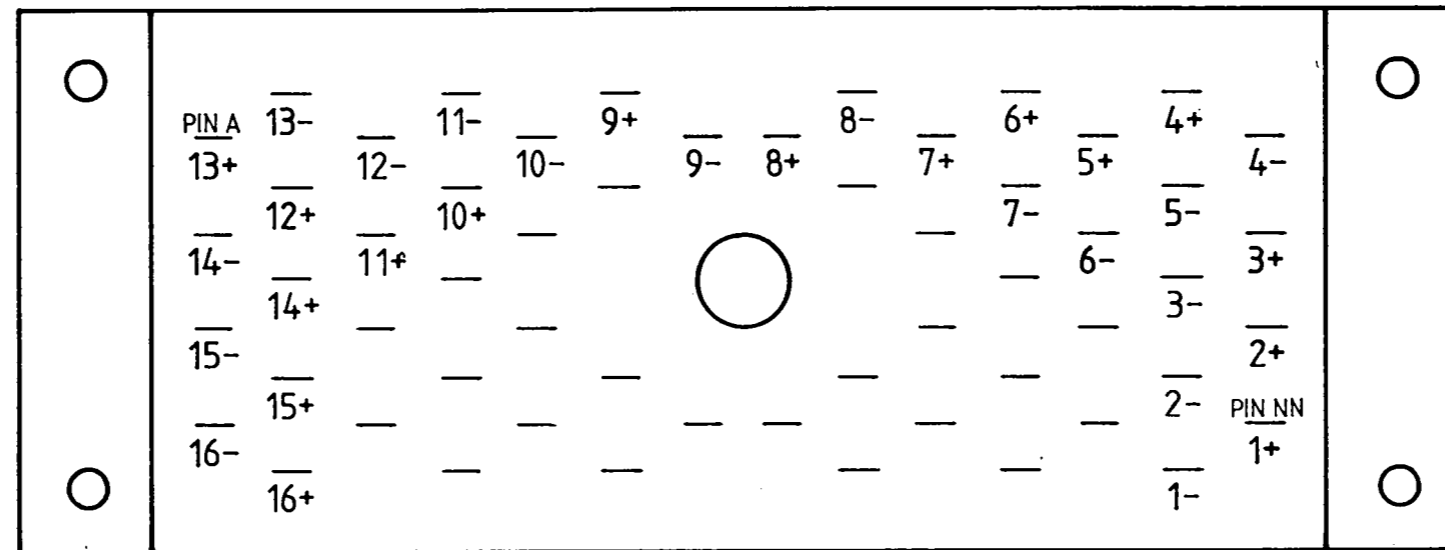
TITLE
S600
GROUP OUTPUT MODULE
WITH 'SUB' BUTTON IN
DRG. No. ED 2214



ISSUE 1
19-11-84

<p>THIRD ANGLE PROJECTION</p>	<p>TOLERANCE</p> <p>All imperial dimensions ± 0.010 All metric dimensions $\pm 0.25\text{mm}$ All angles $\pm 0.50^\circ$ Unless otherwise stated</p>	<p>HOLE INDEX</p>	MATL	DRN	<p>SOUNDCRAFT ELECTRONICS LTD 5-8 GREAT SUTTON STREET LONDON EC1V 0BX. TELEPHONE. 01-261-3631/2/3 TELEGRAMS. SOUNDCRAFT LDN EC1 TELEX. UK. No. 21198. USA. No. 224408</p>	TITLE
			FINISH	TRCD <i>Dwyer</i>		<p>S600 GROUP OUTPUT MODULE WITHOUT 'SUB' BUTTON IN</p>
			SCALE	CHKD		

ISSUE P1
22-12-86



VIEWED FROM SOLDER SIDE OF FREE CONNECTOR

TOLERANCES
HOLE SIZES AFTER PAINTING

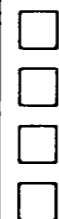
0-3mm	+ 0.10	- 0.00
OVER 3-6mm	+ 0.12	- 0.00
OVER 6-10mm	+ 0.15	- 0.00
OVER 10-18mm	+ 0.18	- 0.00
OVER 18-25mm	+ 0.21	- 0.00
OVER 25mm	+ 0.25	- 0.00

GENERAL TOLERANCE
Delete where not applicable.

± 0.50mm (0.020")
± 0.25mm (0.010")
± 0.12mm (0.005")

HOLE CENTRES ± 0.04"
ALL ANGLES ± 0.50°
Unless otherwise stated.

HOLE INDEX



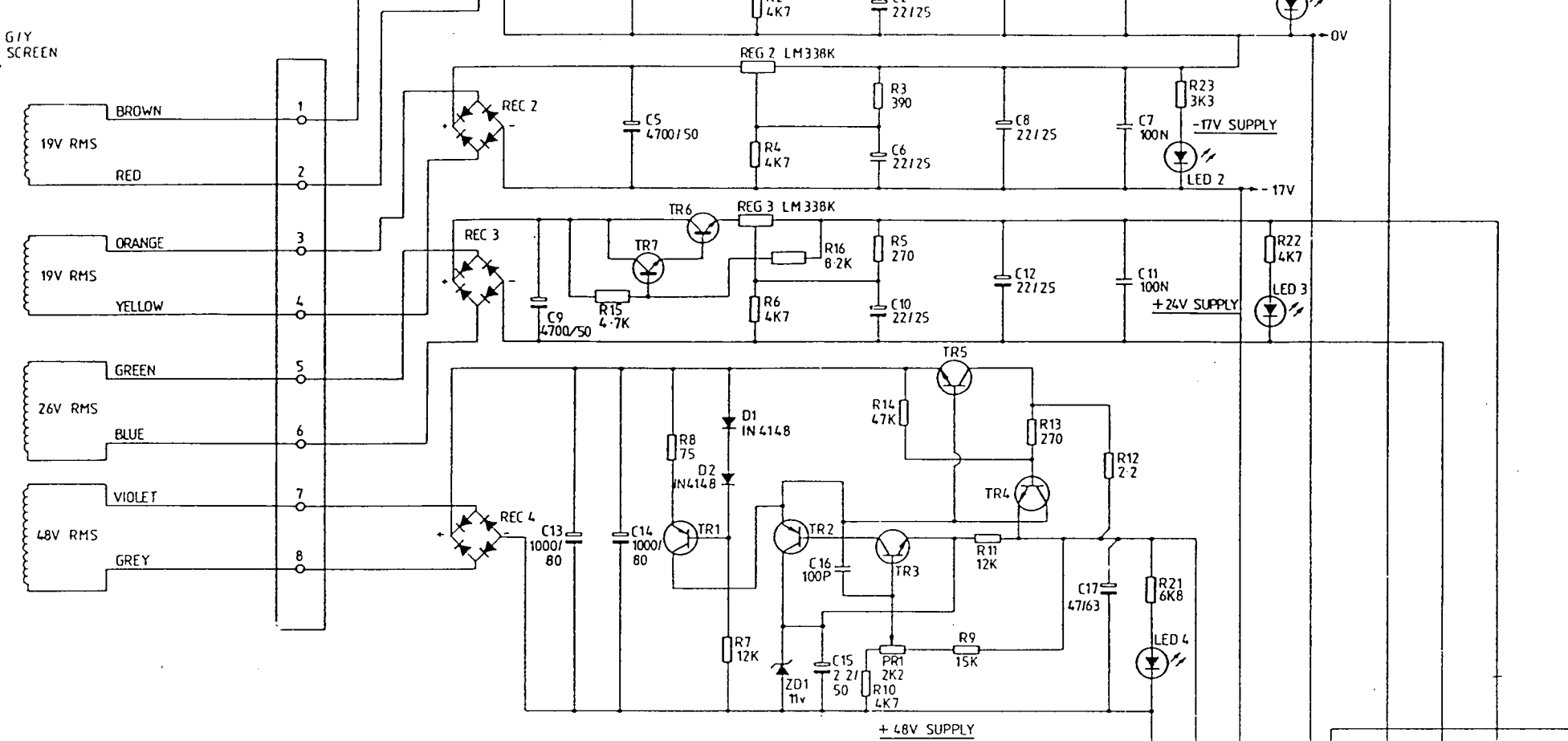
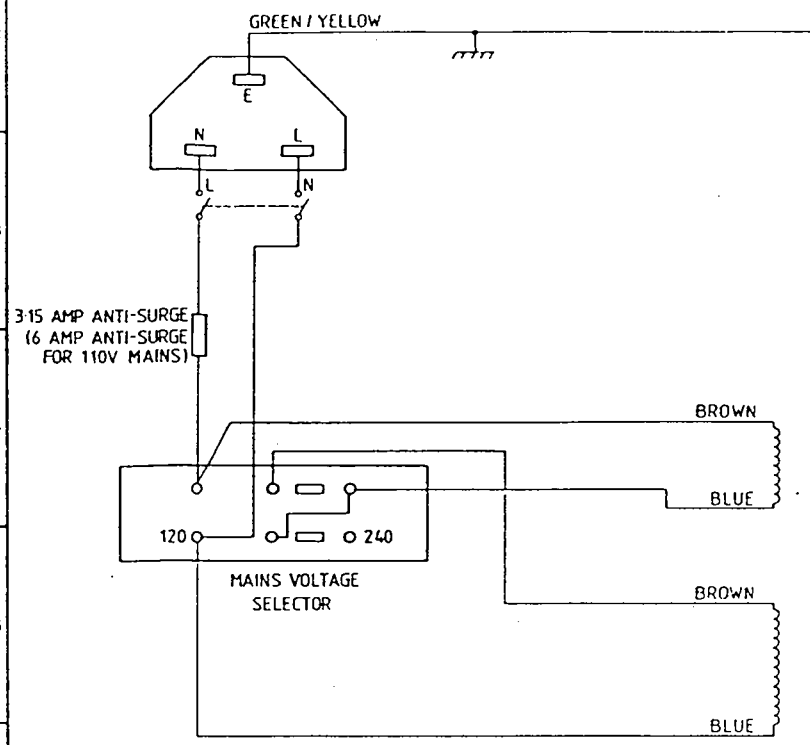
MATL	DRN BTB
FINISH	TRCD
SCALE	CHKD
<p>THIRD ANGLE PROJECTION THIS DRAWING TO COMPLY TO BS308.</p>	

SOUNDCRAFT ELECTRONICS LTD
UNIT 2,
BOREHAMWOOD INDUSTRIAL PARK,
ROWLEY LANE,
BOREHAMWOOD,
HERTFORDSHIRE WD6 5PZ.
TELEPHONE: 01-207-5050
FACSIMILE No. 2070194

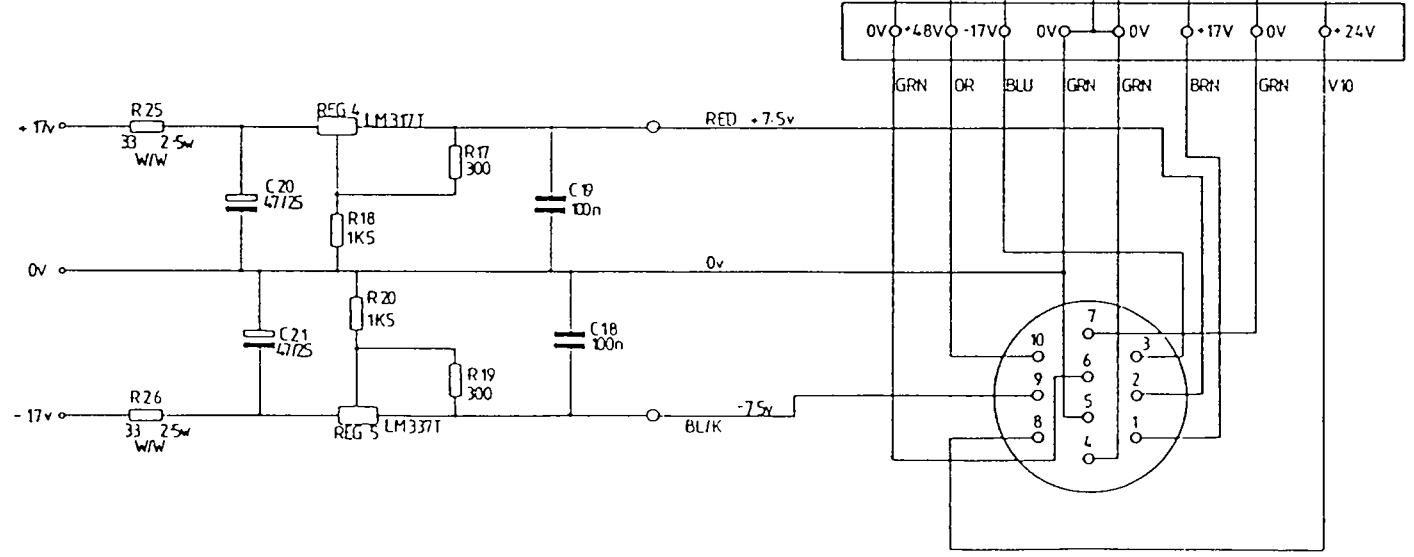
TITLE
S600 PATCHBAY
VARELCO BALANCED
TIE LINES

DRG. No. MI 2579

Issue 1	25-10-84
Issue 2	7-1-85
Issue 3	22/1/85
Issue 4	31-1-85



TRANSISTORS	
TR1 & TR2	= PNP 2SA 970 GR
TR3, 4, 7	= NPN 2SC 2240 BL
TR5	= NPN BD 135
TR6	= NPN 2N3055
RECTIFIERS	
REC1, REC2 & REC3	= KBF02
REC4	= KBP02



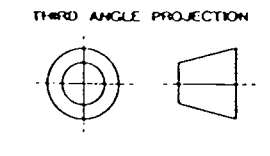
VIEWS FROM SOLDER PINS OF SBC CONNECTOR

Soundcraft Electronics Limited own the copyright of this drawing which is not to be copied, reproduced or disclosed, in part or whole, to a third party without written permission.

NOTES:

HOLE INDEX:

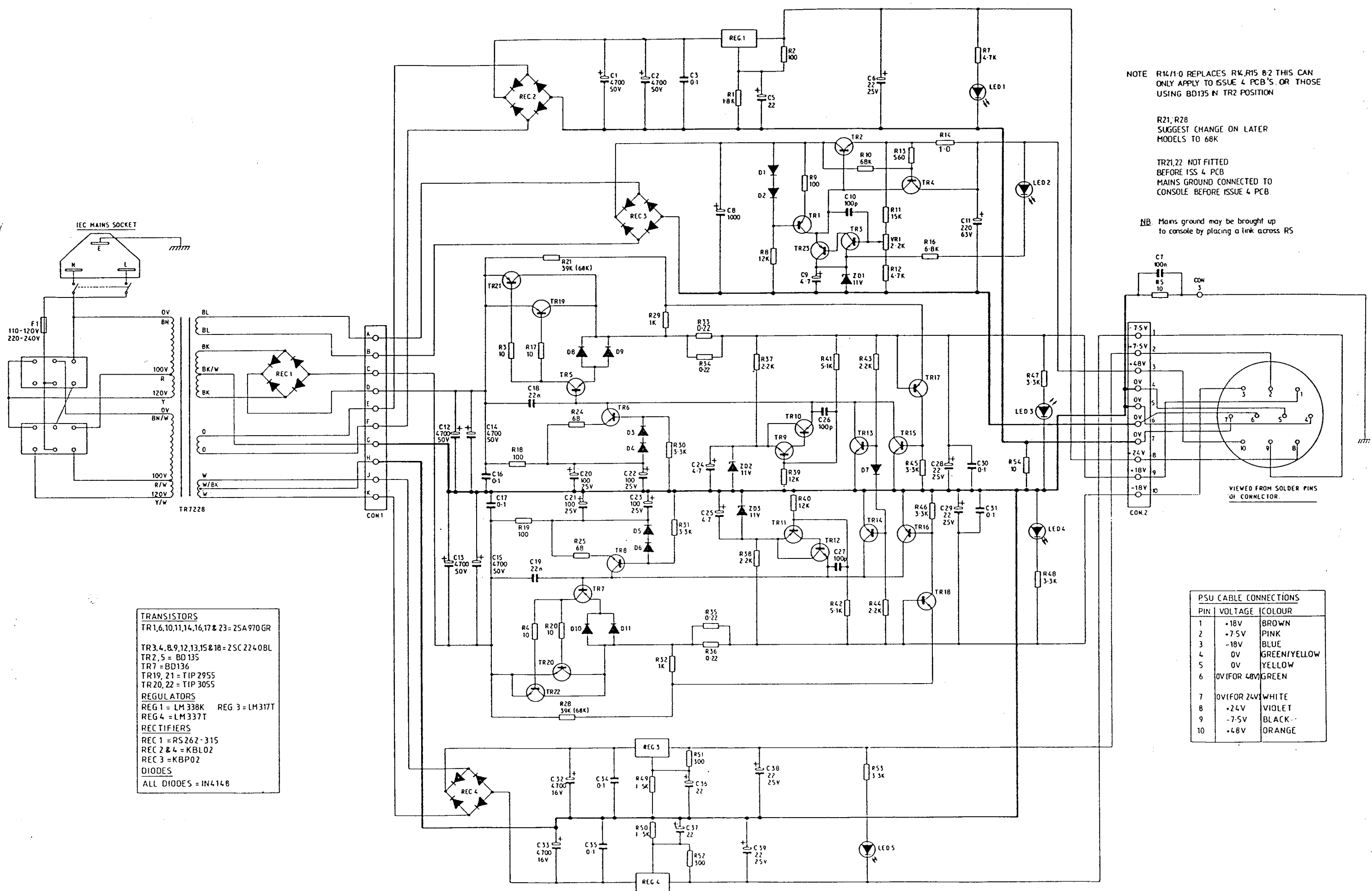
TOLERANCE:
 All imperial dimensions ± 0.010
 All metric dimensions $\pm 0.25mm$
 All angles $\pm 0.50^\circ$
 Unless otherwise stated.



MATL:
 FINISH:
 SCALE:

DRG. SOUNDSCRAFT ELECTRONICS LTD.
 5-8 GREAT SUTTON STREET
 LONDON, EC IV 0BX.
 TELEPHONE: 01-251-3631/2/3
 TELEGRAMS: SOUNDSCRAFT LDN EC1
 TELEX: UK No. 21198, USA No. 01-2203

TITLE: MEDIUM CONSOLE POWER SUPPLY SC1584
 DRG No. ED 2208



NOTE R14/110 REPLACES R4,R15 B2 THIS CAN ONLY APPLY TO ISSUE 4 PCB'S OR THOSE USING BD135 IN TR2 POSITION

R21,R28 SUGGEST CHANGE ON LATER MODELS TO 68K

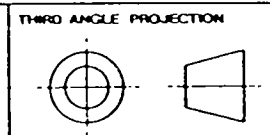
TR21,22 NOT FITTED BEFORE ISS 4 PCB MAINS GROUND CONNECTED TO CONSOLE BEFORE ISSUE 4 PCB

NB. Mains ground may be brought up to console by placing a link across R5

- TRANSISTORS**
 TR1,6,10,11,14,16,17 & 23 = 2SA970GR
 TR3,4,8,9,12,13,15 & 18 = 2SC2240BL
 TR2,5 = BD135
 TR7 = BD136
 TR19,21 = TIP2955
 TR20,22 = TIP3055
- REGULATORS**
 REG1 = LM338K REG3 = LM317T
 REG4 = LM337T
- RECTIFIERS**
 REC1 = RS262-315
 REC2 & 4 = KBLO2
 REC3 = KBP02
- DIODES**
 ALL DIODES = 1N4148

PSU CABLE CONNECTIONS		
PIN	VOLTAGE	COLOUR
1	+18V	BROWN
2	-7.5V	PINK
3	-18V	BLUE
4	0V	GREEN/YELLOW
5	0V	YELLOW
6	0V (FOR 48V)	GREEN
7	0V (FOR 24V)	WHITE
8	+24V	VIOLET
9	-7.5V	BLACK
10	+4.8V	ORANGE

Issue 1 12-11-81
 Issue 2 19-1-82
 Issue 3 3-3-82
 Issue 4 9-7-82
 Issue 5 16-11-83
 Issue 6 10-9-84



NOTES
 All resistors in ohms.
 All capacitors in microfarads, unless otherwise stated
 R33,34,35,36 all 2.5W wirewound.
 FOR PART No. GD0336

TOLERANCE
 All imperial dimensions ±0.01
 All metric dimensions ±0.25mm
 All angles ±0.50°
 Unless otherwise stated

HOLE INDEX

MATL —
FINISH —
SCALE —

DRN MARK
TRCD
CHKD

SOUNDCRAFT ELECTRONICS LTD
 5-8 GREAT SUTTON STREET
 LONDON EC4V 0BX
 TELEPHONE: 01-251-3631/2/3
 TELEGRAMS: SOUNDCRAFT LDM EC1
 TELETYPE No. 21198, USA No. 224408

TITLE
 POWER SUPPLY CIRCUIT DIAGRAM (SC1218 Iss.4)
 DRG. No. ED 2093