

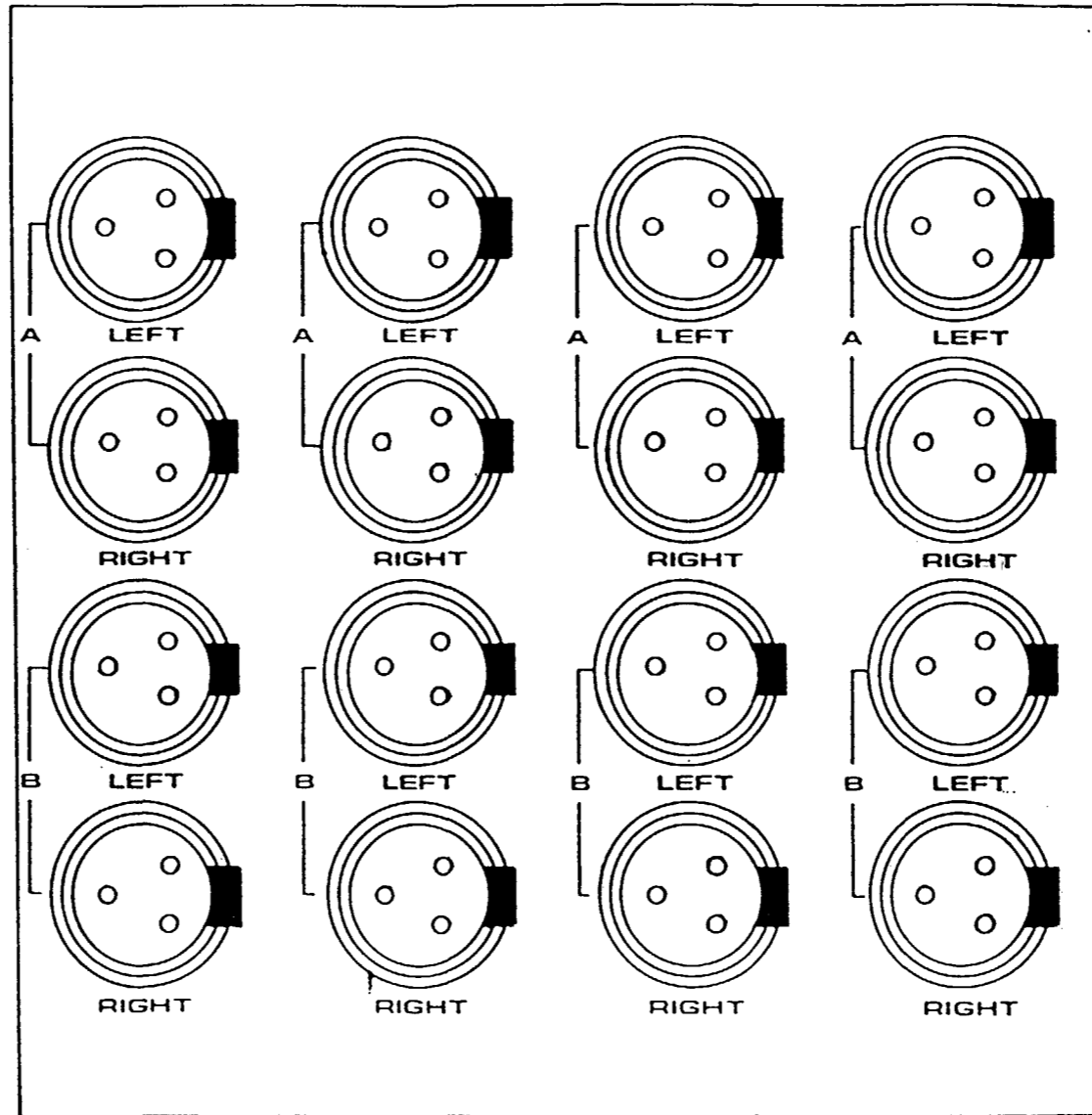
# SERIES 8000 CUSTOMER SPARES KIT

Complete Kit Part No: RZ2235

AZ2201	THERMISTOR RA53	1
AZ2202	RES NETWORK 10kx6	1
AZ2204	8P SIL 4x4K7 RES NETWORK	2
AZ2206	8P SIL 4x7K5 RES NETWORK	2
BA0001	DIODE IN4148	3
BB0106	ZENER DIODE 400MW 11V	1
BC0204	BDG RECT KBP02 200V 1.5A	1
BC0207	BDG RECT KBL02	1
BD0301	PNP TRANS 2SA842GR/2SA970GR	1
BD0302	NPN TRANS 2SC1681BL/2SC2240BL 5	
BD0306	NPN TRANS BC300	1
BD0311	PNP TRANS BD136	1
BD0312	PNP TRANS PN4355	2
BD0315	PNP TRANS TIP2955	1
BD0316	NPN TRANS TIP3055	1
BD0317	NPN TRANS BD135	1
BE0403	QUAD OP AMP IC TL074	1
BE0404	SGL OP AMP IC TL071	2
BE0407	SGL OP AMP IC TDA1034/NE5534	1
BE0413	DUAL OP AMP IC TLO72	5
BE0428	DUAL OP AMP IC NE5532	3
BE0430	V.REG +1.2/37V 1.5A (T0220)	1
BE0431	V.REG -1.2/37V 1.5A (T0220)	1
BE0438	V.REG LM338K +1.2/32V 5A (T03)	1
BF0502	QUAD 21/P NAND 4011	1
BF0505	QUAD ANGL SWITCH 4016	1
BF0517	QUAD ANALOGUE GATE DG308/CJ	1
DA0001	PREH S/SP C/D + BRAKT 4K7LIN x2	1
DA0002	PREH S/SP 41P/D 10K + LOG	3
DA0003	PREH S/SP 41P/D 10K + LOG x2	1
DA0004	PREH S/SP 41P/D + BRKT 10K - LOG	1
DA0005	PREH S/SP C/D 47K LIN	1
DA0014	PREH S/SP 10K LIN	1
DD0316	ALPS 90MM MONO FADER SA012C	1
DE0401	CERMET TRIMMER HORIZ 90H 2K2	1
DE0409	CERMET TRIMMER 90V 1K	1
DF0512	C&K PCB MNT MICRO SWITCH	1
DF0515	RAFI ILLUM PUSH SWT LATCHING	1
DF0516	ALPS (SUN TYPE) 2 POLE PUSH SWT	4
DF0517	ALPS (SUN TYPE) 4 POLE PUSH SWT	2
DL1001	NON-ILLUM ROCKER SWT DPST BLK	1
DJ0801	MARQUARDT TAP CHANGE	1
HB0124	S2400/S3B MNS TX TR7228	1
JA0001	TOSHIBA MINI LED GREEN TLG102	1
JA0002	TOSHIBA MINI LED RED TLR102	1
JA0003	TOSHIBA LED RED TLR104	1
JB0110	RS WEDGE BULB 12V T5.5	1
KA0027	ALPS SA012C FDR KNOB WHITE	1
KA0028	ALPS SA012C FDR KNOB RED	1
KA0029	ALPS SA012C FDR KNOB YELLOW	1

KA0030	11MM/LINE 4MMBRN KNOB RE-AN		2
KC0227	C&K 0.45"SQ SWT CAP RED		1
KC0228	C&K 0.45"SQ SWT CAP GREY		1
KC0229	C&K 0.45"SQ SWT CAP GREEN	1	
KC0230	RE-AN 11MM KNOB CAP BLACK		2
KC0231	RE-AN 11MM KNOB CAP BLUE		1
KC0232	RE-AN 11MM KNOB CAP GREEN		1
KC0233	RE-AN 11MM KNOB CAP GREY	1	
KC0234	RE-AN 11MM KNOB CAP ORANGE		1
KC0235	RE-AN 11MM KNOB CAP RED		1
KC0236	RE-AN 11MM KNOB CAP YELLOW		1
ZD0305	3.15A ANTI-SURGE FUSE		1
ZD0309	FUSEHOLDER (SCHURTER)		1

ISSUE 1  
22-4-87



**TOLERANCES**

HOLE SIZES AFTER FINISH	
0-3mm	+0.10 -0.00
OVER 3-6mm	+0.12 -0.00
OVER 6-10mm	+0.15 -0.00
OVER 10-16mm	+0.18 -0.00
OVER 16-25mm	+0.21 -0.00
OVER 25mm	+0.25 -0.00

**GENERAL TOLERANCE**

Delete where not applicable.  
± 0.05mm (0.002")  
± 0.025mm (0.001")  
± 0.12mm (0.005")  
HOLE CENTRES ± 0.004"  
ALL ANGLES ± 0.4°  
Unless otherwise stated.

**HOLE INDEX**

**MATL**

FINISH

SCALE

**DRN**

AB

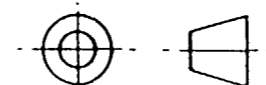
TRCD

CHKD

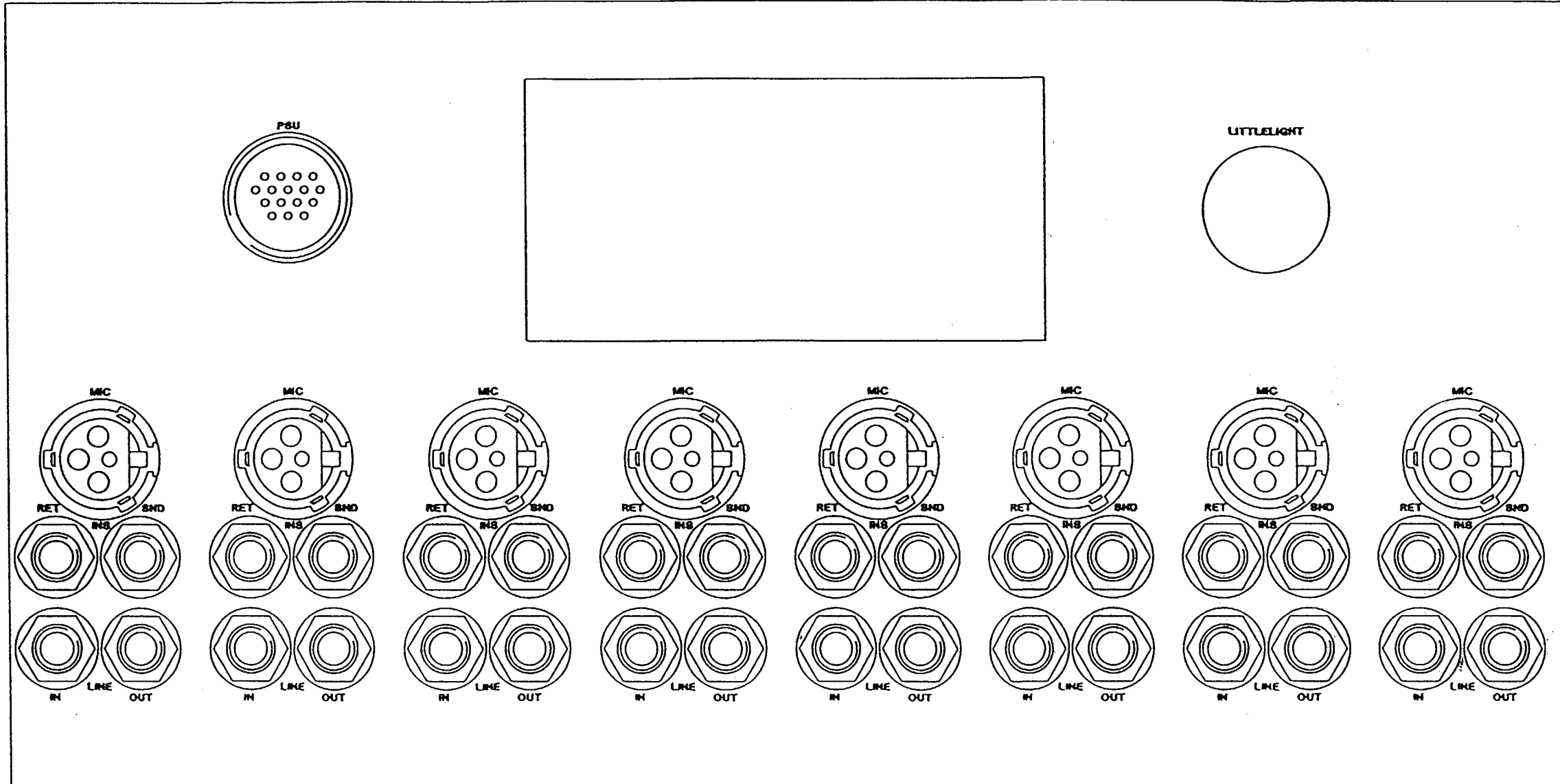
SOUNDCRAFT ELECTRONICS LTD  
UNIT 2,  
BOREHAMWOOD INDUSTRIAL PARK,  
ROWLEY LANE,  
BOREHAMWOOD,  
HERTFORDSHIRE WD6 5PZ.  
TELEPHONE: 01-207-5050  
FACSIMILE No. 2070194

TITLE  
S8000 4WY STEREO  
REAR CONN PANEL.

DRG. No. M12604

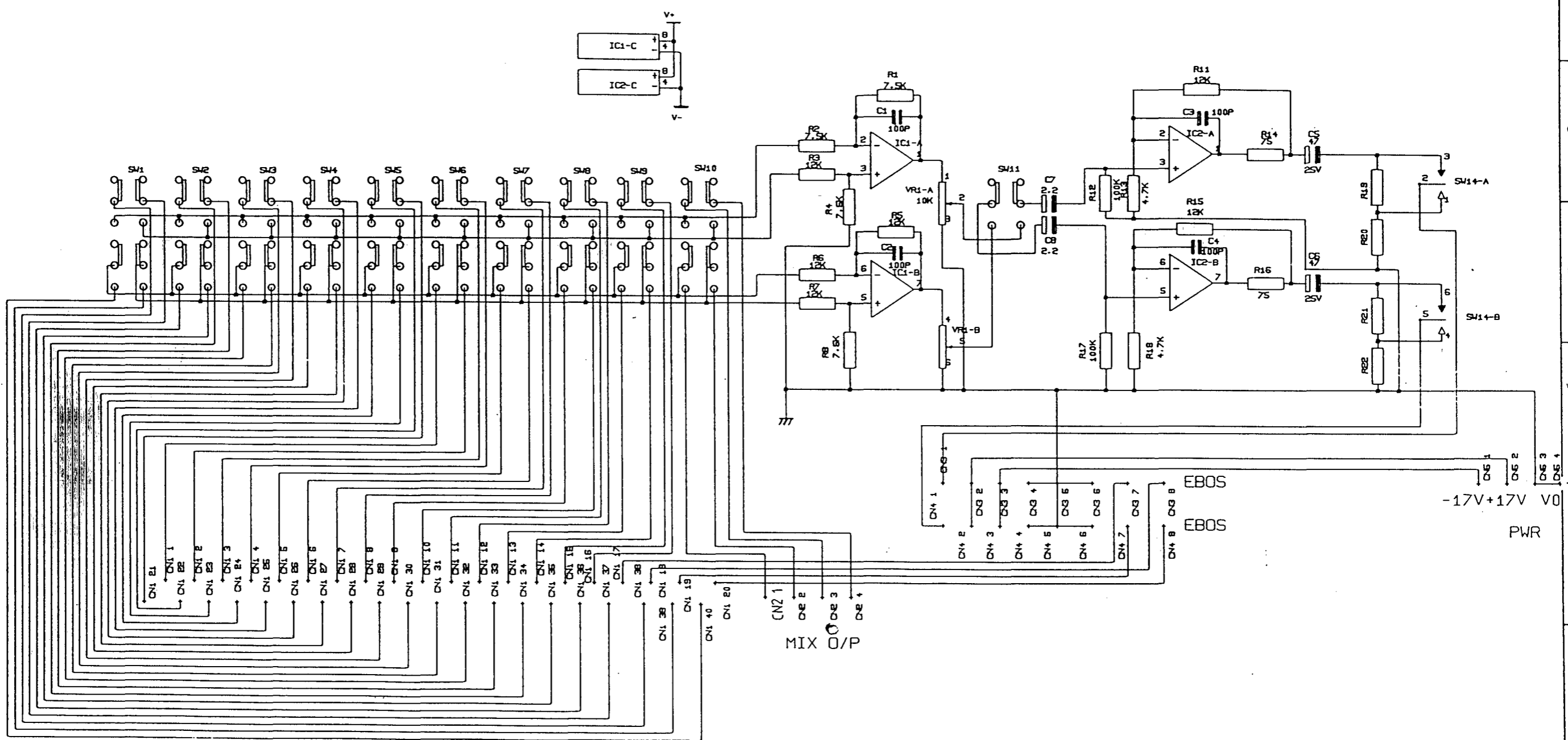


THIRD ANGLE PROJECTION  
THIS DRAWING TO COMPLY  
TO BS308.



Soundcraft Electronics Limited  
own the copyright of this drawing  
which is not to be copied, reproduced  
or disclosed, in part or whole to a  
third party without written permission.

<p><b>TOLERANCES</b></p> <p><b>HOLE SIZES AFTER PAINTING</b></p> <p>0-3mm - +0.10 -0.00</p> <p>OVER 3-6mm - +0.12 -0.00</p> <p>OVER 6-10mm - +0.15 -0.00</p> <p>OVER 10-18mm - +0.18 -0.00</p> <p>OVER 18-25mm - +0.21 -0.00</p> <p>OVER 25mm - +0.25 -0.00</p> <p><b>GENERAL TOLERANCES</b></p> <p>Delete where not applicable.</p> <p>±0.50mm (0.020")</p> <p>±0.25mm (0.010")</p> <p>±0.12mm (0.005")</p> <p>HOLE CENTRE ±0.004"</p> <p>ALL ANGLES ±0.50°</p> <p>Unless otherwise stated.</p>	<p><b>HOLE INDEX</b></p>	<p><b>MATL</b></p> <p>SEE MD4479</p> <p><b>FINISH</b></p> <p><b>SCALE</b></p> <p>1 : 1</p>	<p><b>DRN</b></p> <p>MJH</p> <p><b>TRCD</b></p> <p><b>CHKD</b></p>	<p>THIRD ANGLE PROJECTION THIS DRAWING TO COMPLY TO BS308.</p>	<p><b>TITLE</b> S8000 8 WAY CONNECTOR PANEL</p> <p>SOUNDCRAFT ELECTRONICS LTD UNIT 2, BOREHAMWOOD INDUSTRIAL PARK, ROWLEY LANE, BOREHAMWOOD, HERTFORDSHIRE WD6 5PZ. TELEPHONE: 01-207-5050 FACSIMILE No. 2070194</p> <p><b>ORG. NO.</b> M12671</p>
--	--------------------------	--	--	--	--



**TOLERANCES**  
HOLE SIZES AFTER PAINTING

0-3mm	+ 0.10
	- 0.00
OVER 3-6mm	+ 0.12
	- 0.00
OVER 6-10mm	+ 0.15
	- 0.00
OVER 10-18mm	+ 0.18
	- 0.00
OVER 18-25mm	+ 0.21
	- 0.00
OVER 25mm	+ 0.25
	- 0.00

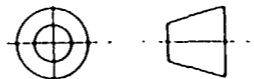
**GENERAL TOLERANCE**  
Delete where not applicable.

± 0.50 mm (0.020")  
± 0.25 mm (0.010")  
± 0.12 mm (0.005")

HOLE CENTRES ± 0.004"  
ALL ANGLES ± 0.50°  
Unless otherwise stated.

**HOLE INDEX**

<input type="checkbox"/>	<input type="checkbox"/>
<input type="checkbox"/>	<input type="checkbox"/>
<input type="checkbox"/>	<input type="checkbox"/>
<input type="checkbox"/>	<input type="checkbox"/>

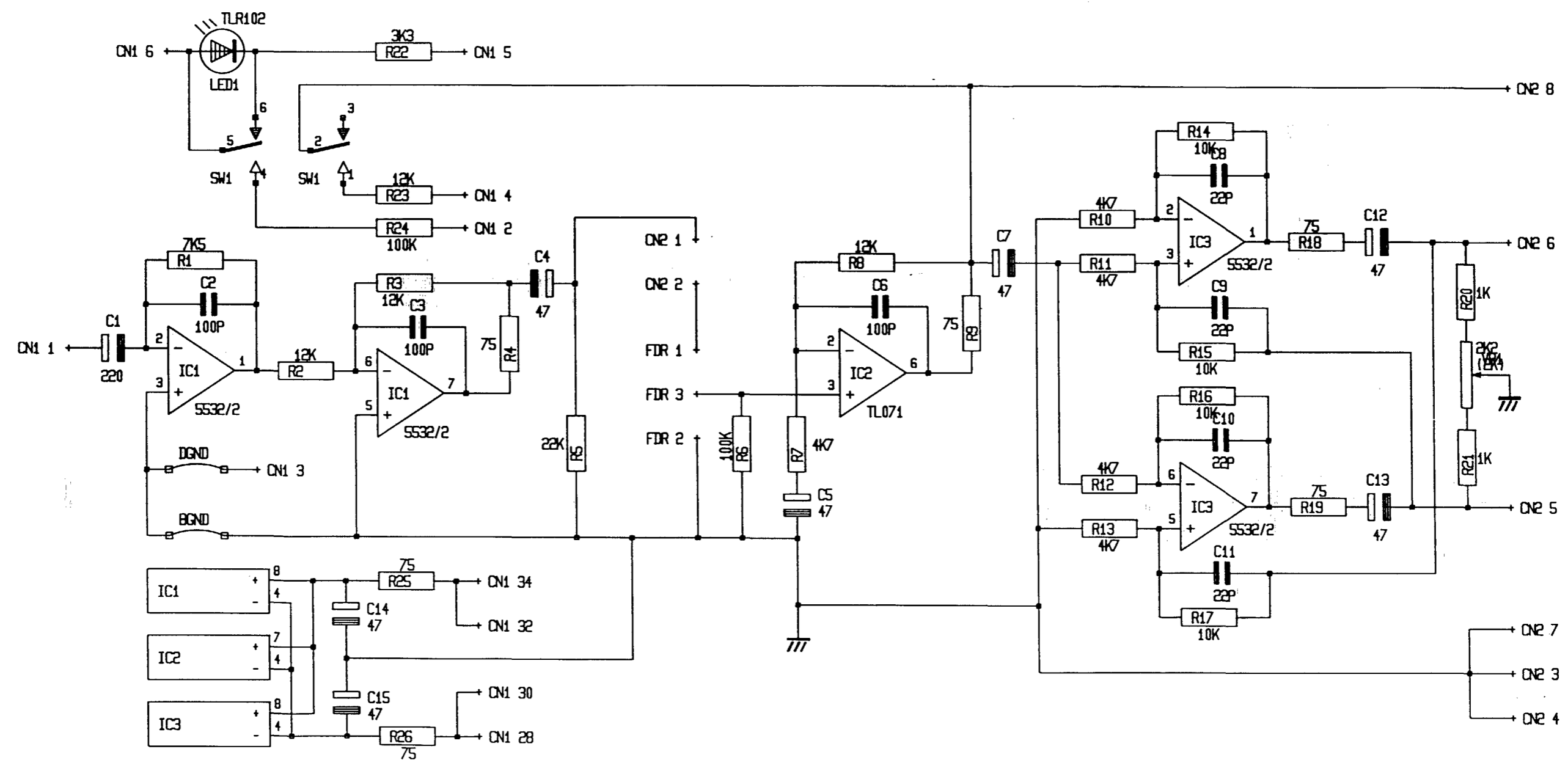
MATL	DRN HC
FINISH	TRCD
SCALE	CHKD
 THIRD ANGLE PROJECTION THIS DRAWING TO COMPLY TO BS308.	

SOUNDCRAFT ELECTRONICS LTD  
UNIT 2,  
BOREHAMWOOD INDUSTRIAL PARK,  
ROWLEY LANE,  
BOREHAMWOOD,  
HERTFORDSHIRE WD6 5PZ.  
TELEPHONE: 01-207-5050  
FACSIMILE No. 2070194

**TITLE**  
S8000  
STUDIO & CONTROL RM.  
MONITOR

DRG. No. ED 2757

ISSUE P1  
24/10/88



**TOLERANCES**  
HOLE SIZES AFTER PAINTING

0-3mm	+ 0.10
	- 0.00
OVER 3-6mm	+ 0.12
	- 0.00
OVER 6-10mm	+ 0.15
	- 0.00
OVER 10-18mm	+ 0.18
	- 0.00
OVER 18-25mm	+ 0.21
	- 0.00
OVER 25mm	+ 0.25
	- 0.00

**GENERAL TOLERANCE**  
Delete where not applicable.

± 0.50 mm (0.020")  
± 0.25 mm (0.010")  
± 0.12 mm (0.005")  
HOLE CENTRES ± 0.004"  
ALL ANGLES ± 0.50°  
Unless otherwise stated.

**HOLE INDEX**

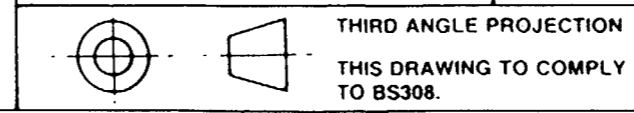
<input type="checkbox"/>	<input type="checkbox"/>
<input type="checkbox"/>	<input type="checkbox"/>
<input type="checkbox"/>	<input type="checkbox"/>
<input type="checkbox"/>	<input type="checkbox"/>

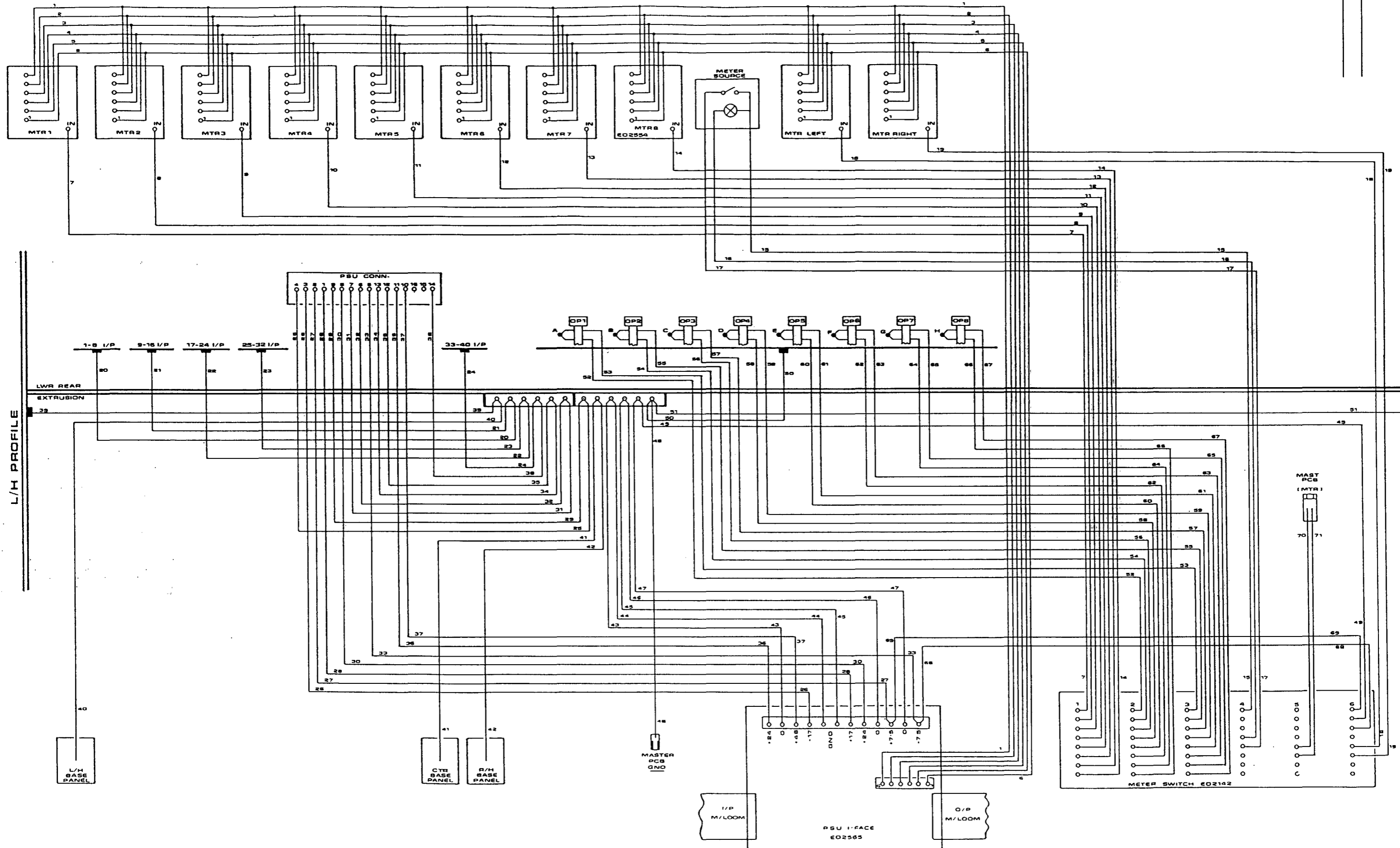
MATL	DRN
FINISH	TRCD
SCALE	CHKD

SOUNDCRAFT ELECTRONICS LTD  
UNIT 2,  
BOREHAMWOOD INDUSTRIAL PARK,  
ROWLEY LANE,  
BOREHAMWOOD,  
HERTFORDSHIRE WD6 5PZ.  
TELEPHONE: 01-207-5050  
FACSIMILE No. 2070194

**TITLE**  
S8000  
CENTRE O/P  
PCB

DRG. No. ED2794





Soundcraft Electronics Limited own the copyright of this drawing which is not to be copied, reproduced or disclosed, in part or whole, to a third party without written permission.

NOTES

<input type="checkbox"/>	<input type="checkbox"/>
<input type="checkbox"/>	<input type="checkbox"/>
<input type="checkbox"/>	<input type="checkbox"/>
<input type="checkbox"/>	<input type="checkbox"/>

HOLE INDEX

<input type="checkbox"/>	<input type="checkbox"/>
<input type="checkbox"/>	<input type="checkbox"/>
<input type="checkbox"/>	<input type="checkbox"/>
<input type="checkbox"/>	<input type="checkbox"/>

TOLERANCES

HOLE SIZES AFTER PAINTING	
0-3mm	+0.10
	-0.00
	+0.12
OVER 3-6mm	+0.00
	-0.00
OVER 6-10mm	+0.15
	-0.00
OVER 10-18mm	+0.18
	-0.00
OVER 18-25mm	+0.21
	-0.00
OVER 25mm	+0.25
	-0.00

Unless otherwise stated.

GENERAL TOLERANCES

Delete where not applicable.

± 0.50mm (0.020")
± 0.25mm (0.010")
± 0.12mm (0.005")

All angles ± 0.5°  
Hole centres ± 0.004"

MATL

FINISH

SCALE

DRN JKL

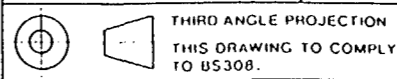
TRCD

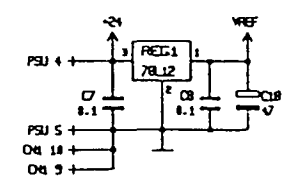
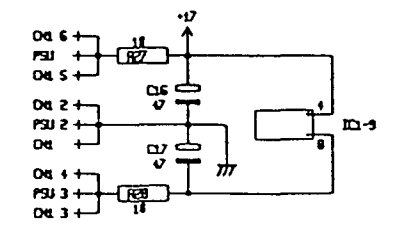
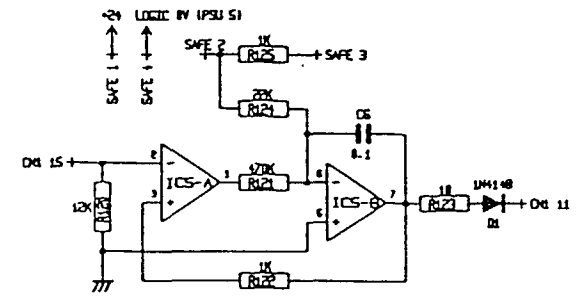
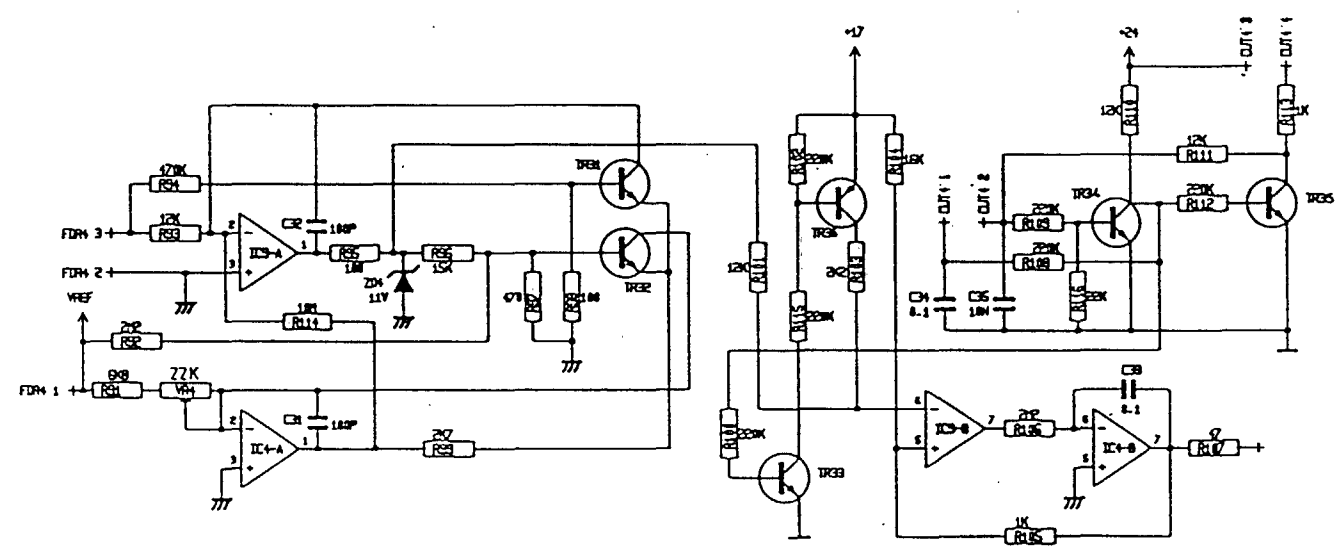
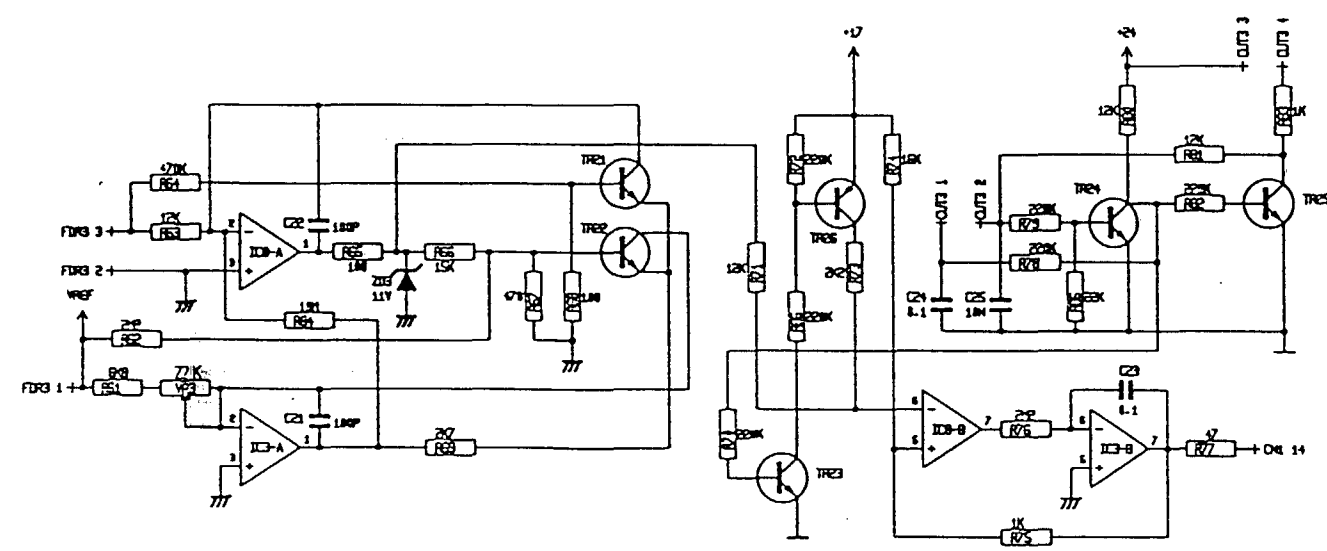
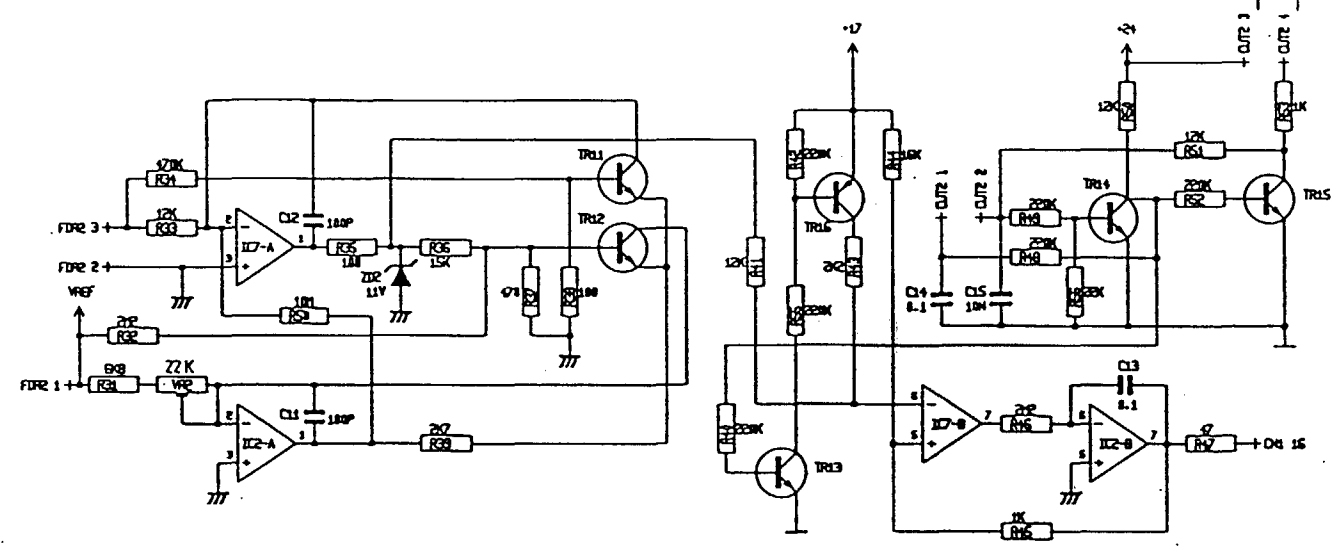
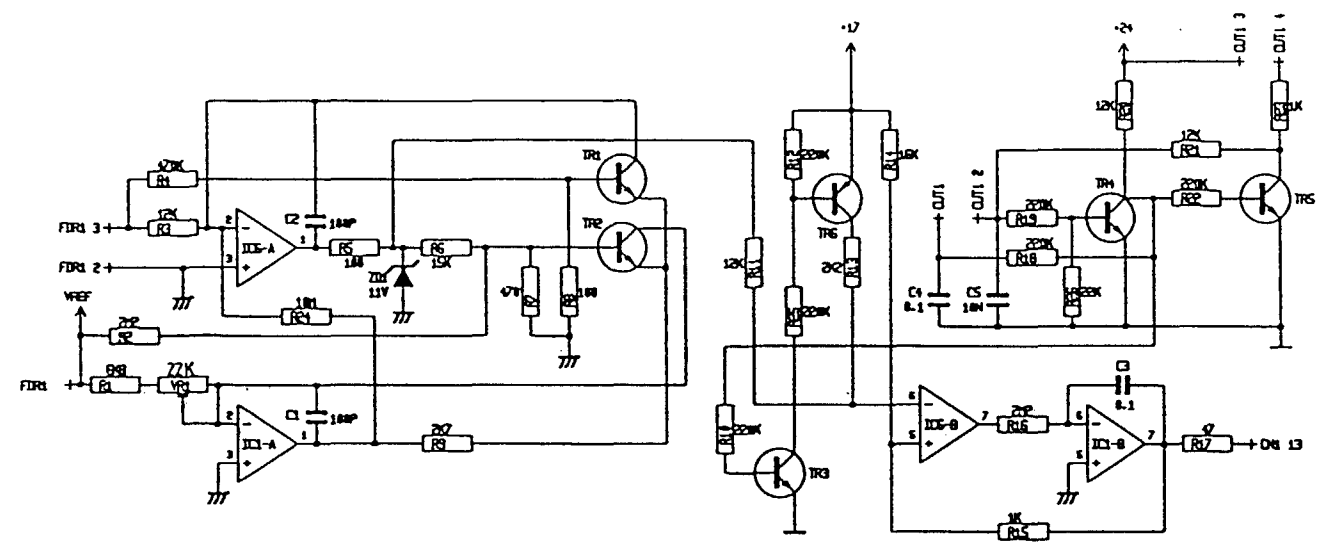
CHKD

SOUNDCRAFT ELECTRONICS LTD  
UNIT 2,  
BOREHAMWOOD INDUSTRIAL PARK,  
ROWLEY LANE,  
BOREHAMWOOD,  
HERTFORDSHIRE WD6 5PZ.  
TELEPHONE: 01-207-5050  
FACSIMILE No. 2070194

TITLE  
S8000 CONSOLE WIRING

DRG No. MI 2580





IC1,2,3,4 NE5632  
IC5 TL072  
ALL PNP TRMS 2SC1878  
ALL PNP TRMS 2SA478  
IC1,7,8,7 LF412

Electronics Limited  
No part of this drawing  
is to be copied, reproduced  
in any part or whole in  
any form without written permission.

NOTES

HOLE INDEX

<input type="checkbox"/>	
<input type="checkbox"/>	
<input type="checkbox"/>	
<input type="checkbox"/>	
<input type="checkbox"/>	

TOLERANCES

HOLE SIZES AFTER PAINTING	
0-3mm	-0.10
	-0.00
OVER 3-6mm	-0.12
	-0.00
OVER 6-10mm	-0.15
	-0.00
OVER 10-18mm	-0.18
	-0.00
OVER 18-25mm	-0.21
	-0.00
OVER 25mm	-0.25
	-0.00

Unless otherwise stated.

GENERAL TOLERANCES  
Delete where not applicable.  
: 0.50 mm (0.020")  
: 0.25 mm (0.010")  
: 0.12 mm (0.005")  
All angles : 0.50°  
Hole Centres : 0.004"

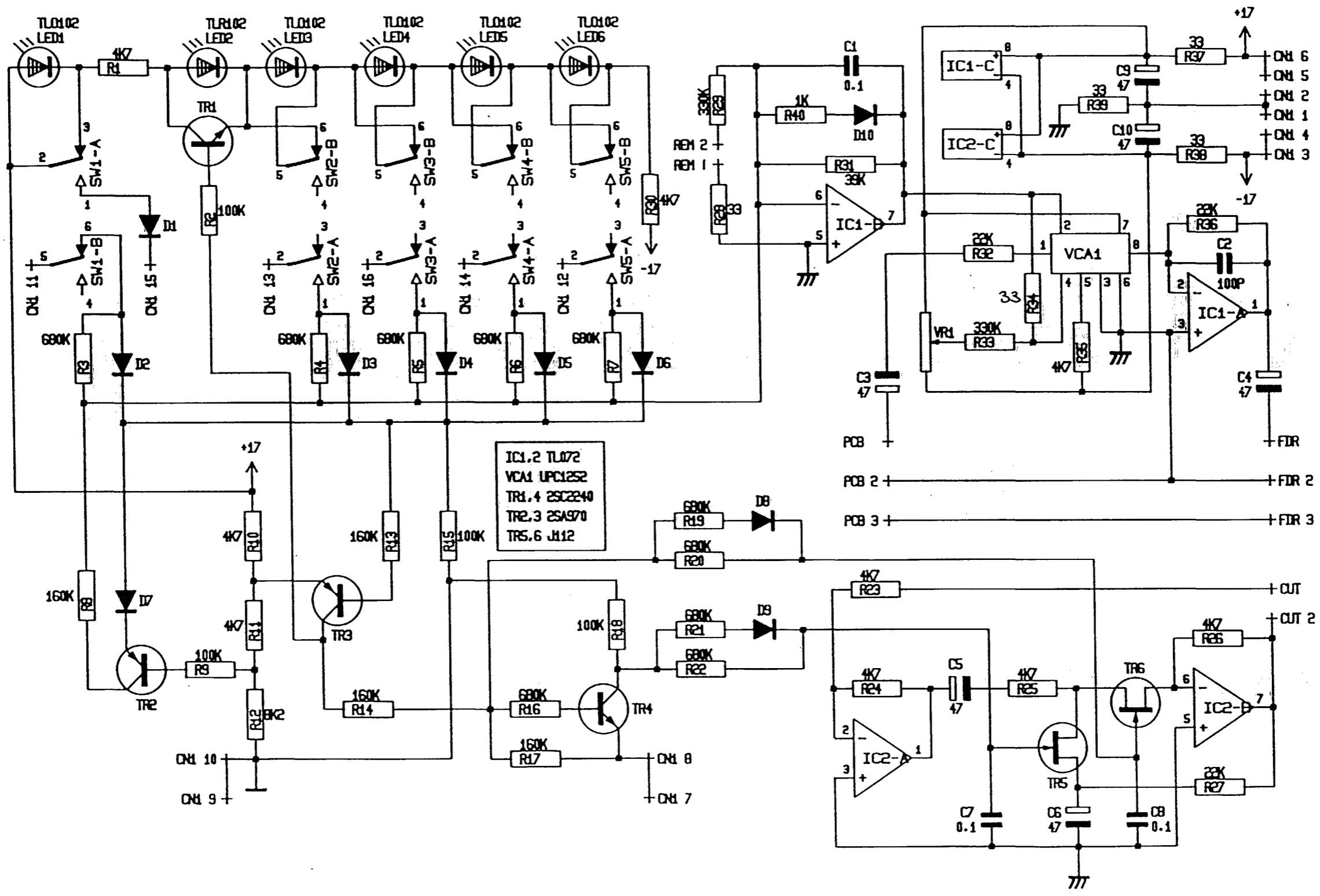
MATL	DRN
FINISH	TRCD
SCALE	CHKO

THIRD ANGLE PROJECTION  
THIS DRAWING TO COMPLY  
TO BS308.

SOUNDCRAFT ELECTRONICS LTD  
UNIT 2,  
BOREHAMWOOD INDUSTRIAL PARK,  
ROWLEY LANE,  
BOREHAMWOOD,  
HERTFORDSHIRE W06 5PZ.  
TELEPHONE: 01-207-5050  
FACSIMILE No. 2070194

TITLE:  
58000 VCA  
MASTER  
DRG. No. ED2617





**TOLERANCES**  
HOLE SIZES AFTER PAINTING

0-3mm	+ 0.10
	- 0.00
OVER 3-6mm	+ 0.12
	- 0.00
OVER 6-10mm	+ 0.15
	- 0.00
OVER 10-18mm	+ 0.18
	- 0.00
OVER 18-25mm	+ 0.21
	- 0.00
OVER 25mm	+ 0.25
	- 0.00

**GENERAL TOLERANCE**  
Delete where not applicable.

± 0.50 mm (0.020")  
± 0.25 mm (0.010")  
± 0.12 mm (0.005")

HOLE CENTRES ± 0.004"  
ALL ANGLES ± 0.50°  
Unless otherwise stated.

**HOLE INDEX**

<input type="checkbox"/>	<input type="checkbox"/>
<input type="checkbox"/>	<input type="checkbox"/>
<input type="checkbox"/>	<input type="checkbox"/>
<input type="checkbox"/>	<input type="checkbox"/>

MATL	DRN
FINISH	TRCO
SCALE	CHKD

THIRD ANGLE PROJECTION  
THIS DRAWING TO COMPLY TO BS308.

SOUNDCRAFT ELECTRONICS LTD  
UNIT 2,  
BOREHAMWOOD INDUSTRIAL PARK,  
ROWLEY LANE,  
BOREHAMWOOD,  
HERTFORDSHIRE WD6 5PZ.  
TELEPHONE: 01-207-5050  
FACSIMILE No. 2070194

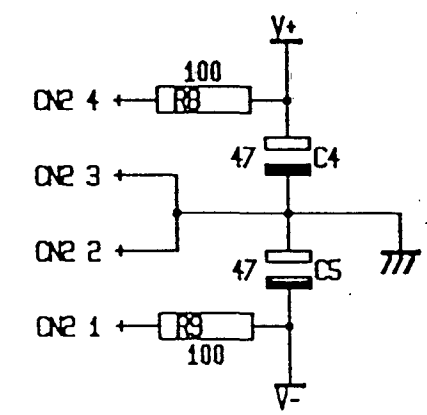
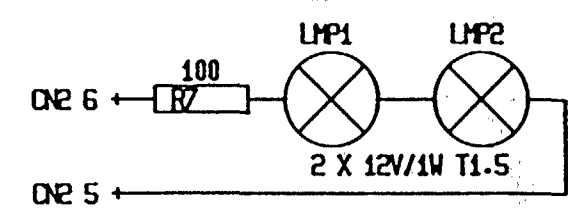
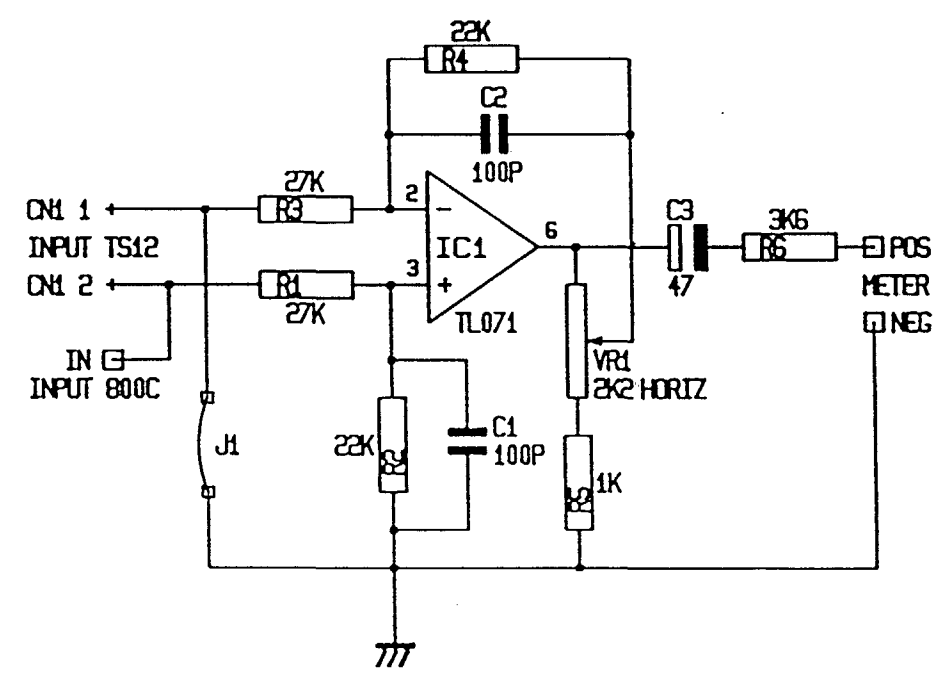
TITLE

S8000 VCA PCB

DRG. No. ED2616

ISSUE 1.  
PRODUCTION  
3-11-86

CN1 IS 2 WAY .1" VERT MLE METHODE.  
CN2 IS 6 WAY .156" VERT MLE.  
FOR 800C, FIT J1 AND WIRE TO 'IN' PIN.



**TOLERANCES**

HOLE SIZES AFTER PAINTING	
0-3mm	+ 0.10 - 0.00
OVER 3-6mm	+ 0.12 - 0.00
OVER 6-10mm	+ 0.16 - 0.00
OVER 10-18mm	+ 0.18 - 0.00
OVER 18-25mm	+ 0.21 - 0.00
OVER 25mm	+ 0.25 - 0.00

**GENERAL TOLERANCE**

Delete where not applicable.

± 0.50mm (0.020")

± 0.25mm (0.010")

± 0.12mm (0.005")

HOLE CENTRES ± 0.004"

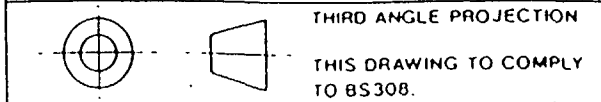
ALL ANGLES ± 0.60°

Unless otherwise stated.

**HOLE INDEX**

<input type="checkbox"/>	<input type="checkbox"/>
<input type="checkbox"/>	<input type="checkbox"/>
<input type="checkbox"/>	<input type="checkbox"/>
<input type="checkbox"/>	<input type="checkbox"/>

MATL	DRN
FINISH	TRCD
SCALE	CHKD



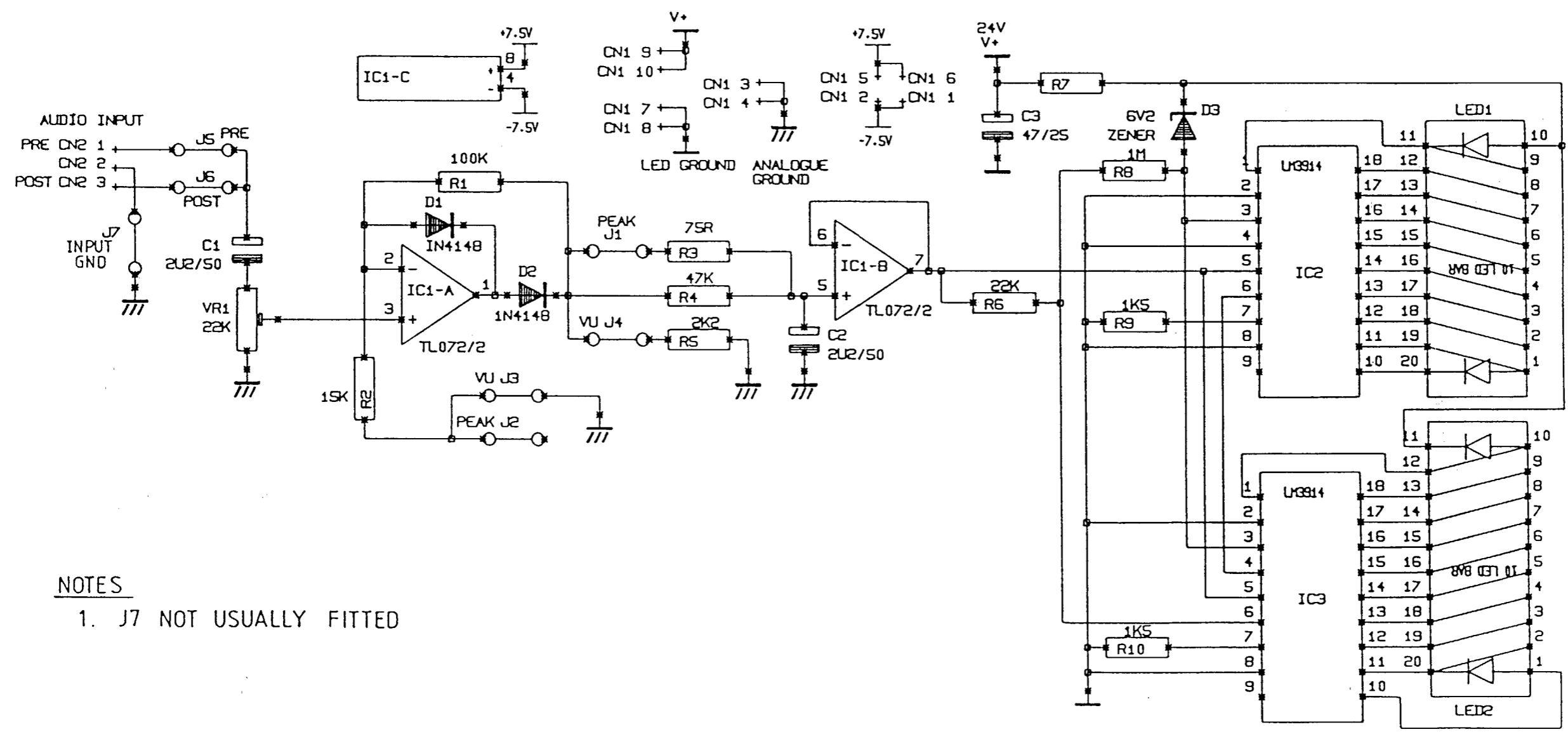
SOUNDCRAFT ELECTRONICS LTD  
UNIT 2,  
BOREHAMWOOD INDUSTRIAL PARK,  
ROWLEY LANE,  
BOREHAMWOOD,  
HERTFORDSHIRE W06 5PZ.  
TELEPHONE: 01-207-5050  
FACSIMILE No. 2070194

**TITLE**

TS 12/8000  
MONO METER

DRG. No. ED 2554

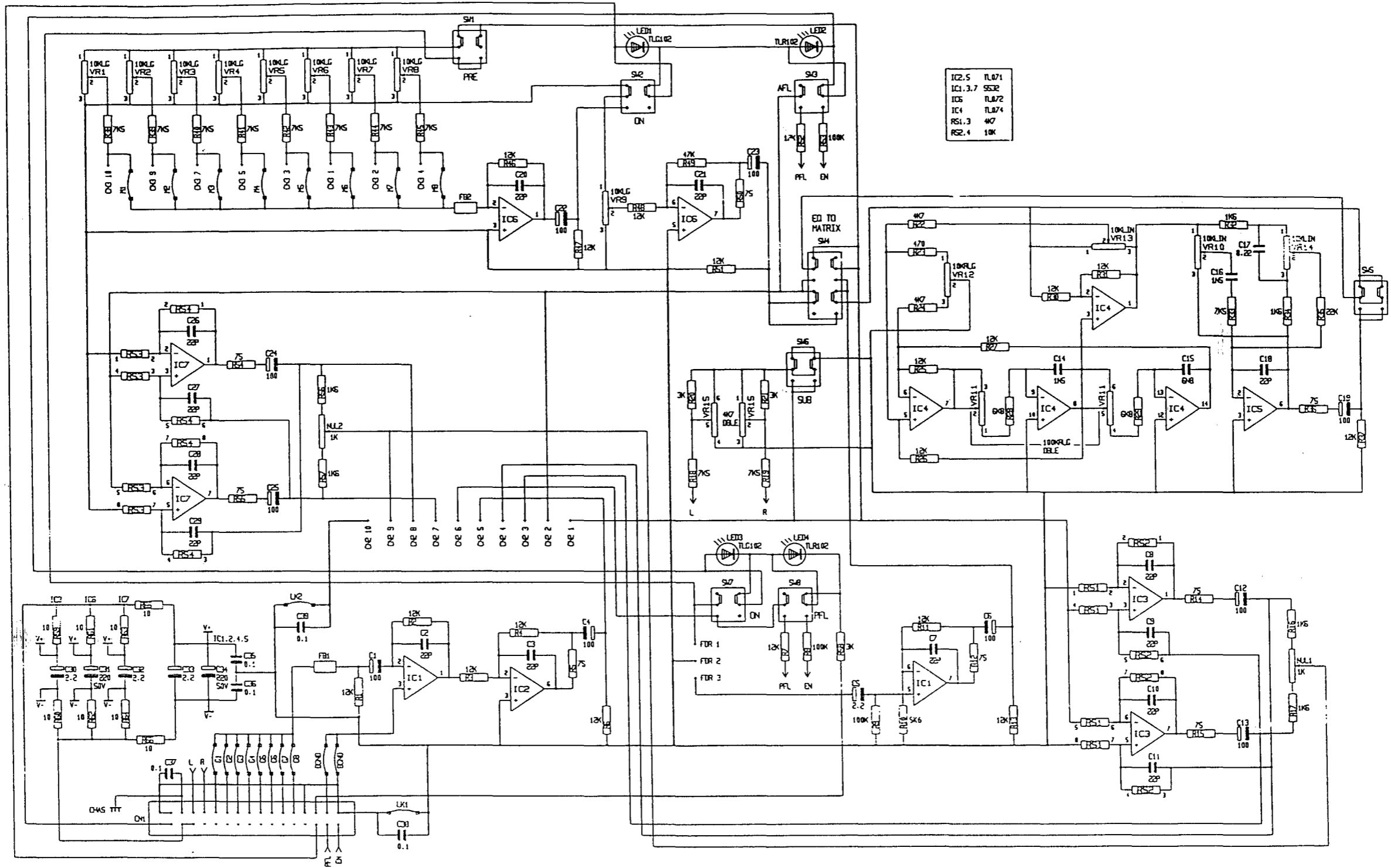
ISSUE P2  
7-5-87  
ISSUE P3  
ISSUE P4  
8-1-88



**NOTES**

1. J7 NOT USUALLY FITTED

<b>FRANCES</b> SIZES AFTER PAINTING 0-3mm - +0.10 - -0.00 3-6mm - +0.12 - -0.00 6-10mm - +0.15 - -0.00 10-18mm - +0.18 - -0.00 18-25mm - +0.21 - -0.00 25mm - +0.25 - -0.00	<b>GENERAL TOLERANCE</b> Delete where not applicable. ± 0.50 mm (0.020") ± 0.25 mm (0.010") ± 0.12 mm (0.005") HOLE CENTRES ± 0.004" ALL ANGLES ± 0.50° Unless otherwise stated.	<b>HOLE INDEX</b> <input type="checkbox"/> <input type="checkbox"/> <input type="checkbox"/> <input type="checkbox"/>	<input type="checkbox"/> <input type="checkbox"/> <input type="checkbox"/>	<b>MATL</b> _____	<b>DRN</b> D.G.	SOUNDCRAFT ELECTRONICS LTD UNIT 2, BOREHAMWOOD INDUSTRIAL PARK, ROWLEY LANE, BOREHAMWOOD, HERTFORDSHIRE WD6 5PZ. TELEPHONE: 01-207-5050 FACSIMILE No. 2070194	<b>TITLE</b> S8000 FADER LED BAR PCB.
				<b>FINISH</b> _____	<b>TRCD</b> _____		
				THIRD ANGLE PROJECTION THIS DRAWING TO COMPLY TO BS308.			



Soundcraft Electronics Limited  
The copyright of this drawing  
is not to be copied, reproduced  
or disclosed, in part or whole, to a  
third party without written permission.

NOTES

HOLE INDEX	
<input type="checkbox"/>	<input type="checkbox"/>
<input type="checkbox"/>	<input type="checkbox"/>
<input type="checkbox"/>	<input type="checkbox"/>
<input type="checkbox"/>	<input type="checkbox"/>

TOLERANCES	
HOLE SIZES AFTER PAINTING	
0-3mm	-0.10
OVER 3-6mm	-0.12
OVER 6-10mm	-0.15
OVER 10-15mm	-0.18
OVER 15-25mm	-0.21
OVER 25mm	-0.25

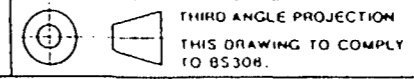
GENERAL TOLERANCES	
Delete where not applicable.	
± 0.50mm	(0.020")
± 0.25mm	(0.010")
± 0.12mm	(0.005")
All angles : 0.50°	
Hole centres : 0.004"	

MATL	DRN
FINISH	TRCO
SCALE	CHKO

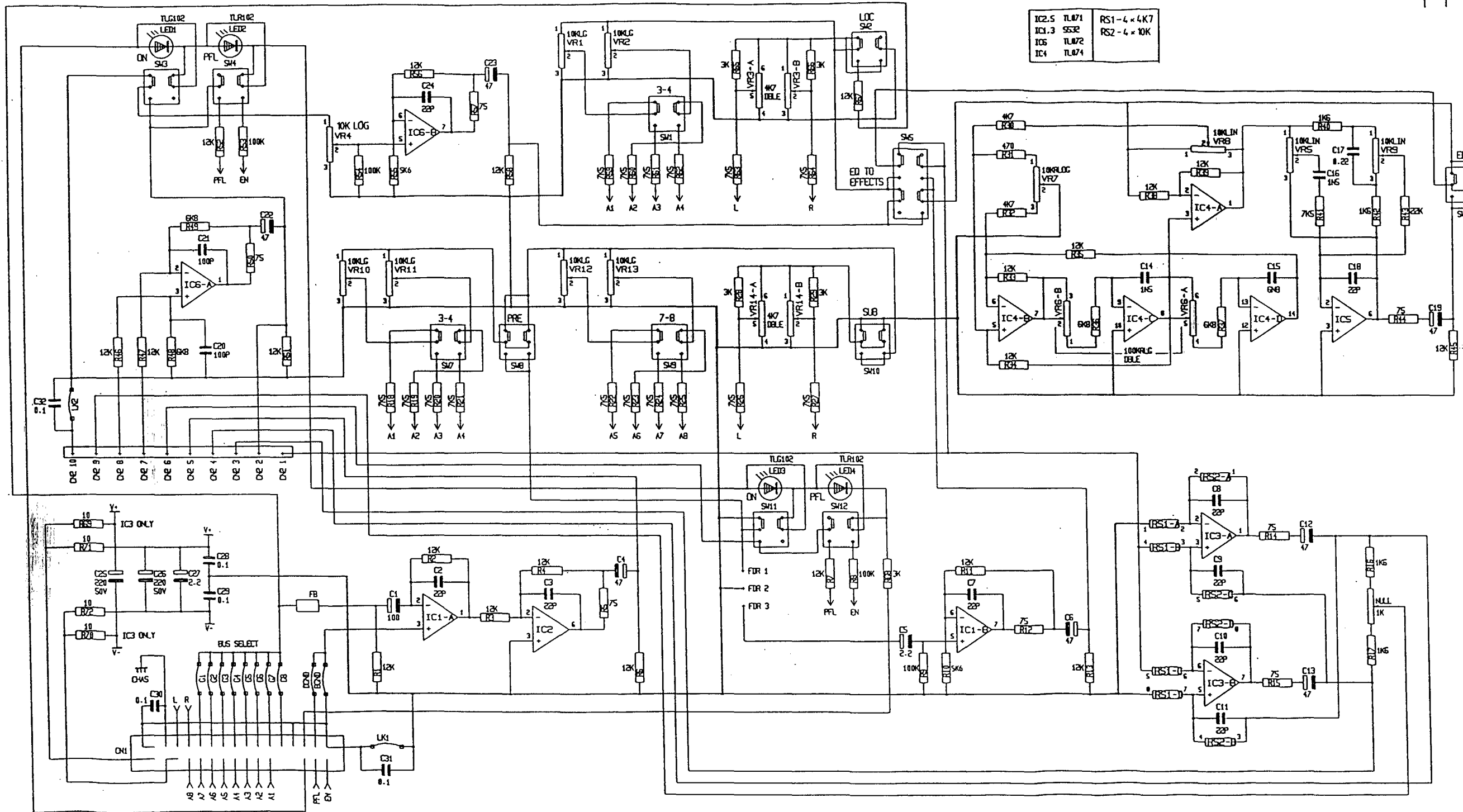
SOUNDCRAFT ELECTRONICS LTD  
UNIT 2,  
BOREHAMWOOD INDUSTRIAL PARK,  
ROWLEY LANE,  
BOREHAMWOOD,  
HERTFORDSHIRE WD6 5PZ.  
TELEPHONE: 01-207-5050  
FACSIMILE No. 2070194

TITLE:  
S8000  
MATRIX OUTPUT SCHEMATIC

DRG No. ED 2592



Unless otherwise stated.



Soundcraft Electronics Limited own the copyright of this drawing which is not to be copied, reproduced or disclosed, in part or whole, to a third party without written permission.

**NOTES**

**HOLE INDEX**

<input type="checkbox"/>	<input type="checkbox"/>
<input type="checkbox"/>	<input type="checkbox"/>
<input type="checkbox"/>	<input type="checkbox"/>
<input type="checkbox"/>	<input type="checkbox"/>

**TOLERANCES**

**HOLE SIZES AFTER PAINTING**

0-3mm	+0.10
	-0.00
OVER 3-6mm	+0.12
	-0.00
OVER 6-10mm	+0.15
	-0.00
OVER 10-18mm	+0.18
	-0.00
OVER 18-25mm	+0.21
	-0.00
OVER 25mm	+0.25
	-0.00

**GENERAL TOLERANCES**  
Delete where not applicable.

± 0.50 mm (0.020")
± 0.25 mm (0.010")
± 0.12 mm (0.005")

All angles ± 0.50°  
Hole centres ± 0.004"

Unless otherwise stated

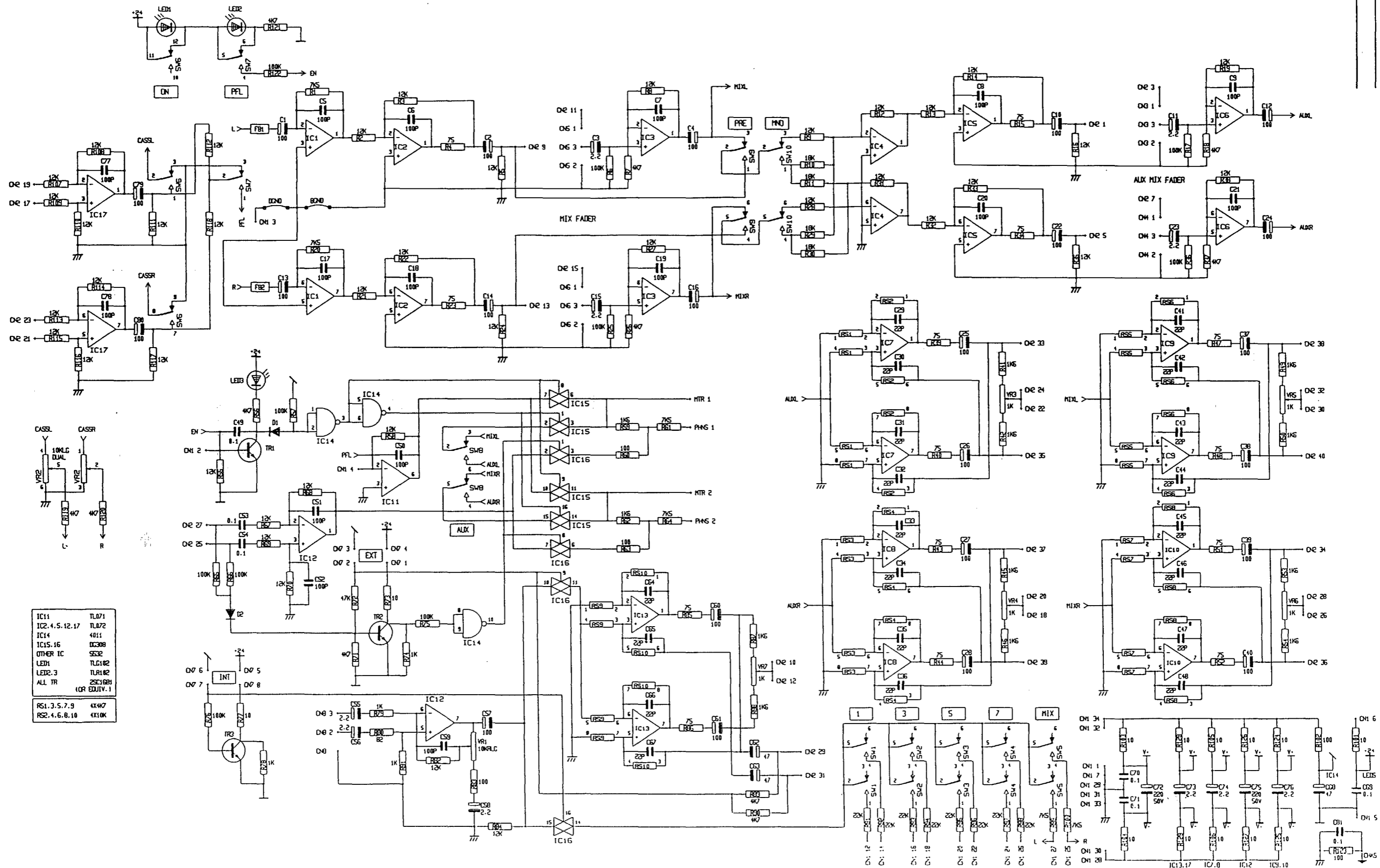
<b>MATL</b>	<b>DRN</b>
<b>FINISH</b>	<b>THCD</b>
<b>SCALE</b>	<b>CHKO</b>

THIRD ANGLE PROJECTION  
THIS DRAWING TO COMPLY TO BS308.

SOUNDCRAFT ELECTRONICS LTD  
UNIT 2,  
BOHEHAMWOOD INDUSTRIAL PARK,  
ROWLEY LANE,  
BOHEHAMWOOD,  
HERTFORDSHIRE WD6 5PZ.  
TELEPHONE: 01-207-5050  
FACSIMILE No 2070194

**TITLE**  
S8000  
FX RETURN OUTPUT

ORG No. ED 2591

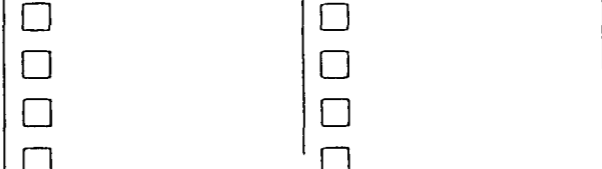


IC11	TL071
IC2, 4, 5, 12, 17	TL072
IC14	4011
IC15, 16	DC308
OTHER IC	9532
LED1	TL1402
LED2, 3	TL1402
ALL TR	2SC1881 (OR EQUIV.)
RS1, 3, 5, 7, 9	4X407
RS2, 4, 6, 8, 10	4X10K

NOTES

Soundcraft Electronics Limited own the copyright of this drawing which is not to be copied, reproduced or disclosed, in part or whole, to a third party without written permission.

HOLE INDEX



TOLERANCES

HOLE SIZES AFTER PAINTING

0-3mm	+0.00
	-0.00
OVER 3-6mm	+0.12
	-0.00
OVER 6-10mm	+0.15
	-0.00
OVER 10-16mm	+0.18
	-0.00
OVER 16-25mm	+0.21
	-0.00
OVER 25mm	+0.25
	-0.00

GENERAL TOLERANCES

Delete where not applicable

- ± 0.50mm (0.020")
- ± 0.25mm (0.010")
- ± 0.12mm (0.005")
- All angles: 0.50°
- Hole centres: ± 0.004"

MATL

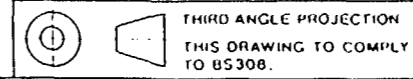
FINISH  
SCALE

DRN

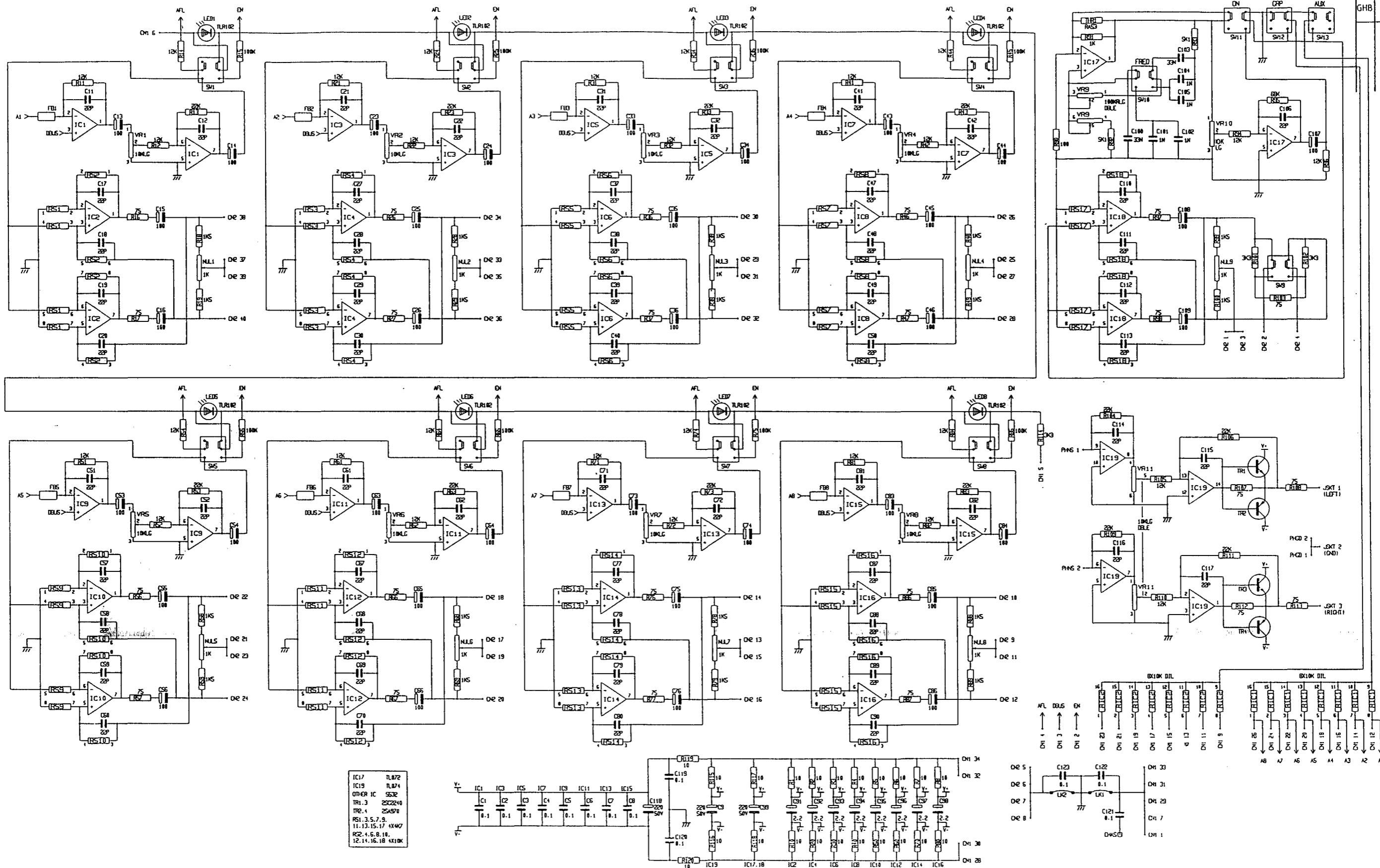
TRCO  
CHKO

SOUNDCRAFT ELECTRONICS LTD  
UNIT 2,  
BOREHAMWOOD INDUSTRIAL PARK,  
ROWLEY LANE,  
BOREHAMWOOD,  
HERTFORDSHIRE W06 5PZ.  
TELEPHONE: 01-207-5050  
FACSIMILE No 2070194

TITLE: S 8000  
MASTER Ckt DIAGRAM  
DRG No. ED 2502



Unless otherwise stated.



Soundcraft Electronics Limited own the copyright of this drawing which is not to be copied, reproduced or disclosed, in part or whole, to a third party without written permission.

NOTES

HOLE INDEX


TOLERANCES

HOLE SIZES AFTER PAINTING

0-3mm	+0.10
	-0.00
OVER 3-6mm	+0.12
	-0.00
OVER 6-10mm	+0.15
	-0.00
OVER 10-18mm	+0.18
	-0.00
OVER 18-25mm	+0.21
	-0.00
OVER 25mm	+0.25
	-0.00

GENERAL TOLERANCES

Delete where not applicable.

± 0.50mm (0.020")
± 0.25mm (0.010")
± 0.12mm (0.005")

All angles ± 0.5°  
Hole centres ± 0.004"

Unless otherwise stated.

MATL

FINISH

SCALE

THIRD ANGLE PROJECTION  
THIS DRAWING TO COMPLY TO BS308.

DRN

TRCD

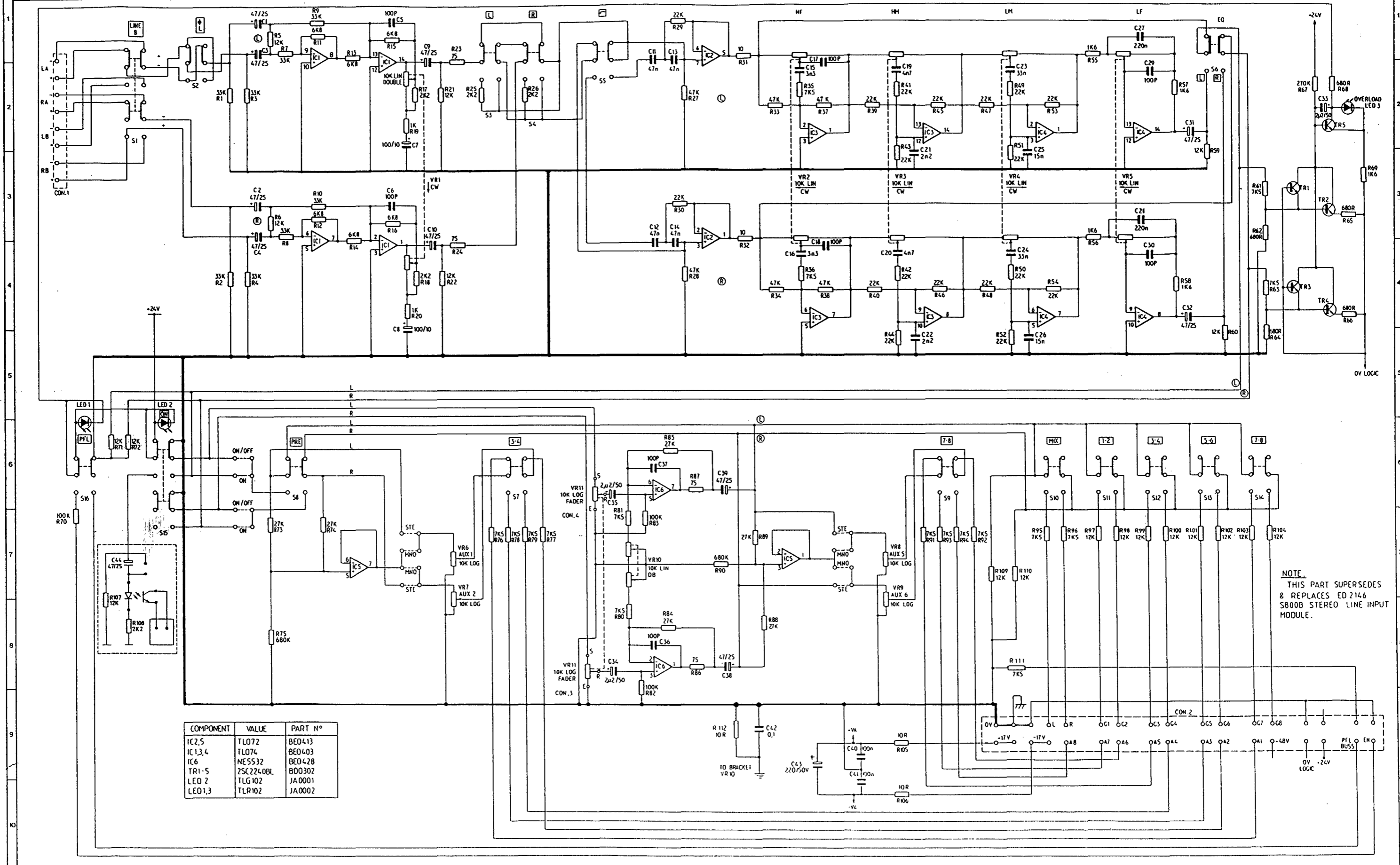
CHKD

SOUNDRAFT ELECTRONICS LTD  
UNIT 2,  
BOREHAMWOOD INDUSTRIAL PARK,  
ROWLEY LANE,  
BOREHAMWOOD,  
HERTFORDSHIRE WD6 5PZ.  
TELEPHONE: 01-207-5050  
FACSIMILE No.2070194

TITLE

S8000  
AUX MASTER

ORG No. ED 7593



COMPONENT	VALUE	PART N°
IC2,5	TLO72	BE0413
IC1,3,4	TLO74	BE0403
IC6	NESS32	BE0428
TR1-5	2SC2240BL	BD0302
LED 2	TLG102	JA0001
LED1,3	TLR102	JA0002

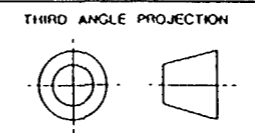
NOTE  
THIS PART SUPERSEDES  
8 REPLACES ED 2146  
S800B STEREO LINE INPUT  
MODULE.

Soundcraft Electronics Limited own the copyright of this drawing which is not to be copied, reproduced or disclosed, in part or whole, to a third party without written permission.

NOTES.  
Resistors in ohms  
Capacitors in micro farads  
Unless otherwise stated

HOLE INDEX.

TOLERANCE.  
All imperial dimensions ±0.010  
All metric dimensions ±0.25mm  
All angles ±0.50°  
Unless otherwise stated.



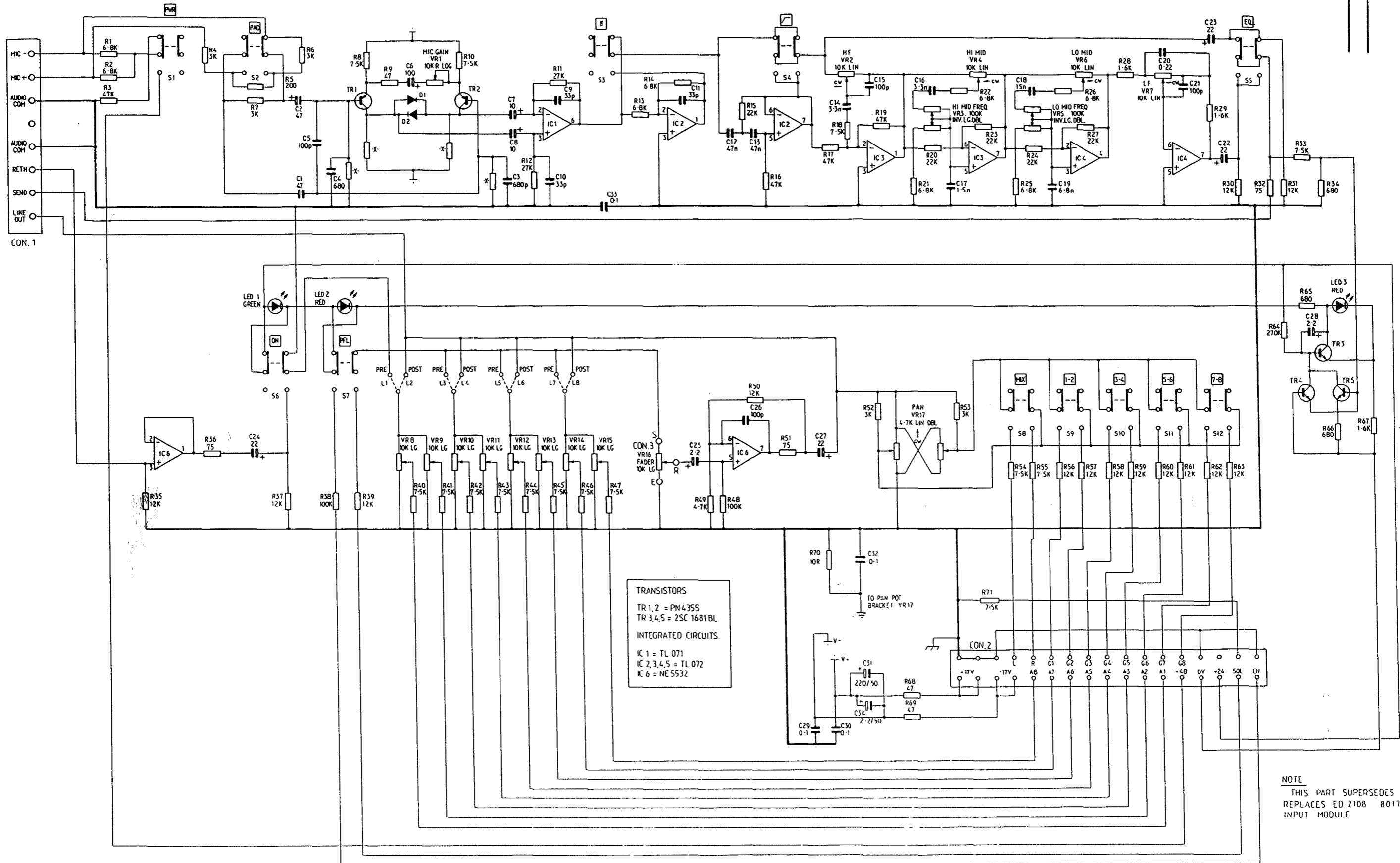
MATL. \_\_\_\_\_  
FINISH. \_\_\_\_\_  
SCALE. \_\_\_\_\_

DRG. \_\_\_\_\_  
TRCD. \_\_\_\_\_  
CHKD. \_\_\_\_\_  
G ( 5/17/83)

SOUNDCRAFT ELECTRONICS LTD.  
5-8 GREAT SUTTON STREET  
LONDON, EC4V 0BX.  
TELEPHONE. 01-251-3631/2/3  
TELEGRAMS. SOUNDCRAFT LON. EC1  
TELEX. UK No. 21198. USA No. 01-2203

TITLE.  
S8000  
STEREO LINE (8200)  
INPUT MODULE  
(FOR SC 2615)  
DRG No. ED 2600

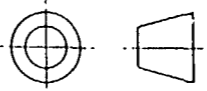




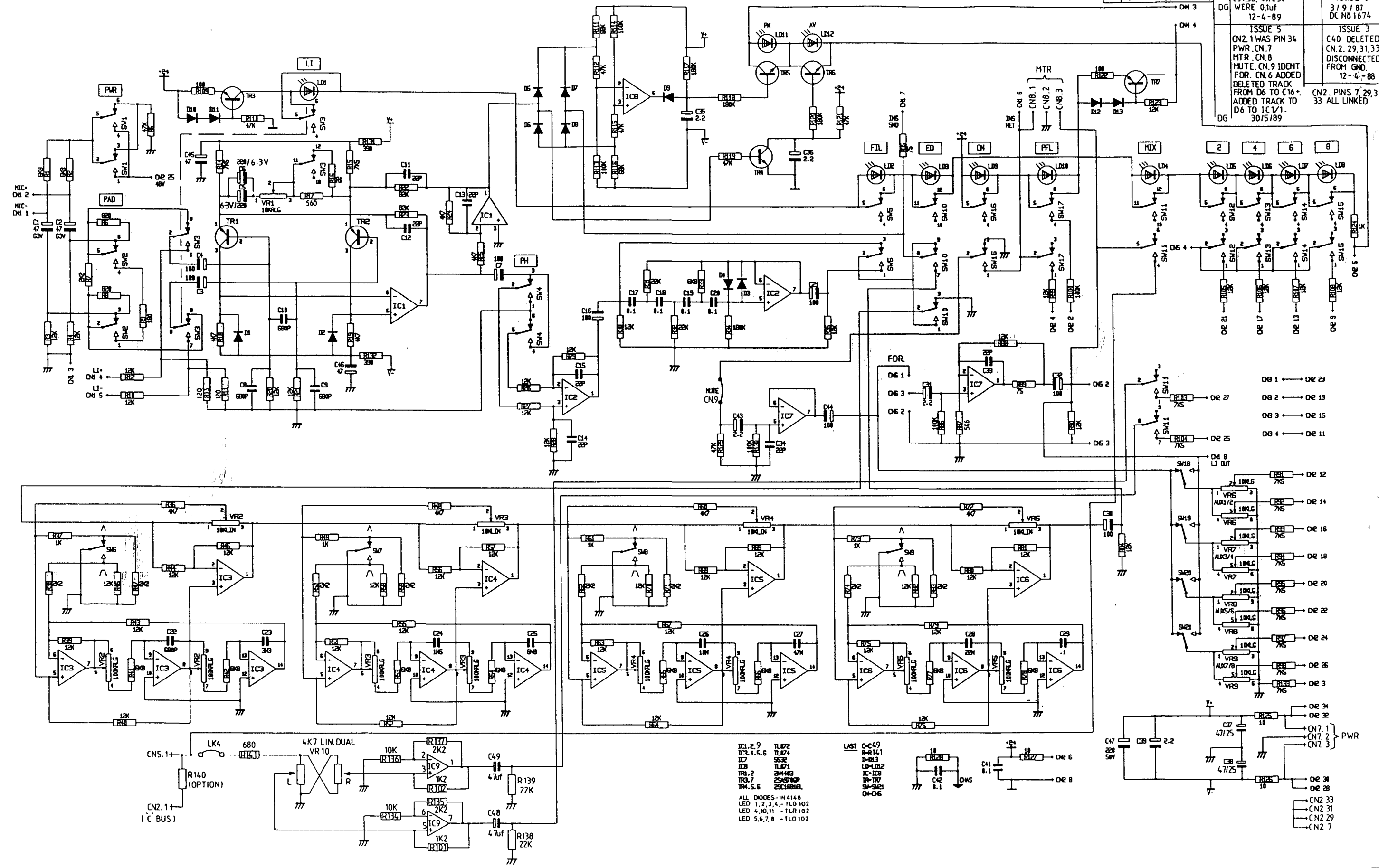
TRANSISTORS  
 TR 1, 2 = PN 4355  
 TR 3, 4, 5 = 2SC 1681BL

INTEGRATED CIRCUITS  
 IC 1 = TL 071  
 IC 2, 3, 4, 5 = TL 072  
 IC 6 = NE 5532

NOTE  
 THIS PART SUPERSEDES &  
 REPLACES ED 2108 8017 PA  
 INPUT MODULE

<p>Soundcraft Electronics Limited own the copyright of this drawing which is not to be copied, reproduced or disclosed, in part or whole, to a third party without written permission.</p>	<p>NOTES.          Resistors in ohms          Capacitors in micro farads          Unless otherwise stated          For Part no RA6298</p>	<p>HOLE INDEX.</p>	<p>TOLERANCE.          All imperial dimensions <math>\pm 0.010</math>          All metric dimensions <math>\pm 0.25mm</math>          All angles <math>\pm 0.50^\circ</math>          Unless otherwise stated.</p>	<p>THIRD ANGLE PROJECTION</p> 	<p>MATL. —          FINISH. —          SCALE. —</p>	<p>DRG. Barry          TRCD. —          CHKD. —</p>	<p>SOUNDCRAFT ELECTRONICS LTD.          5-8 GREAT SUTTON STREET          LONDON, EC4V 0BX.          TELEPHONE. 01-251-3631/2/3          TELEGRAMS. SOUNDCRAFT LON. EC1          TELEX. UK No. 21198. USA No. 01-2203</p> <p>TITLE.          S 8000          PA INPUT MODULE          (FOR SC 2614)</p> <p>DRG No. ED 2599</p>
--	---	--------------------	--	---	---	---	---

ISSUE 6 R101,102,VR10 WERE DUPLICATED REMOVED FROM GRID REF. N4 FOR PCB. ISS. 9 1/2-7-89 DG	ISSUE 4 R138-R141, C48,49 LK4, IC9, PWR JUMP ADDED. C37,38, 47/25V WERE 0,1uF 12-4-89 DG	Issue 1 PRODUCTION 6-11-86
	ISSUE 5 CN2.1 WAS PIN 34 PWR. CN.7 MTR. CN.8 MUTE. CN.9 IDENT FOR. CN.6 ADDED DELETED TRACK FROM D6 TO C16+ ADDED TRACK TO D6 TO IC1/1. 30/5/89 DG	ISSUE 2 31/9/87 DC N01674
		ISSUE 3 C40 DELETED CN.2, 29,31,33 DISCONNECTED FROM GND. 12-4-88 CN2. PINS 7, 29, 31, 33 ALL LINKED



Soundcraft Electronics Limited own the copyright of this drawing which is not to be copied, reproduced or disclosed, in part or whole, to a third party without written permission.

**NOTES**

**HOLE INDEX**

<input type="checkbox"/>	<input type="checkbox"/>
<input type="checkbox"/>	<input type="checkbox"/>
<input type="checkbox"/>	<input type="checkbox"/>
<input type="checkbox"/>	<input type="checkbox"/>

**TOLERANCES**

**HOLE SIZES AFTER PAINTING**

0-3mm	+0.10
	-0.00
OVER 3-6mm	+0.12
	-0.00
OVER 6-10mm	+0.15
	-0.00
OVER 10-16mm	+0.18
	-0.00
OVER 16-25mm	+0.21
	-0.00
OVER 25mm	+0.25
	-0.00

Unless otherwise stated.

**GENERAL TOLERANCES**

Delete where not applicable.

± 0.50mm (0.020")
± 0.25mm (0.010")
± 0.12mm (0.005")

All angles ± 0.50°  
Hole centres ± 0.004"

**MATL** \_\_\_\_\_

**FINISH** \_\_\_\_\_

**SCALE** \_\_\_\_\_

THIRD ANGLE PROJECTION  
THIS DRAWING TO COMPLY TO BS308.

**DRN** GHB

**TRCD** \_\_\_\_\_

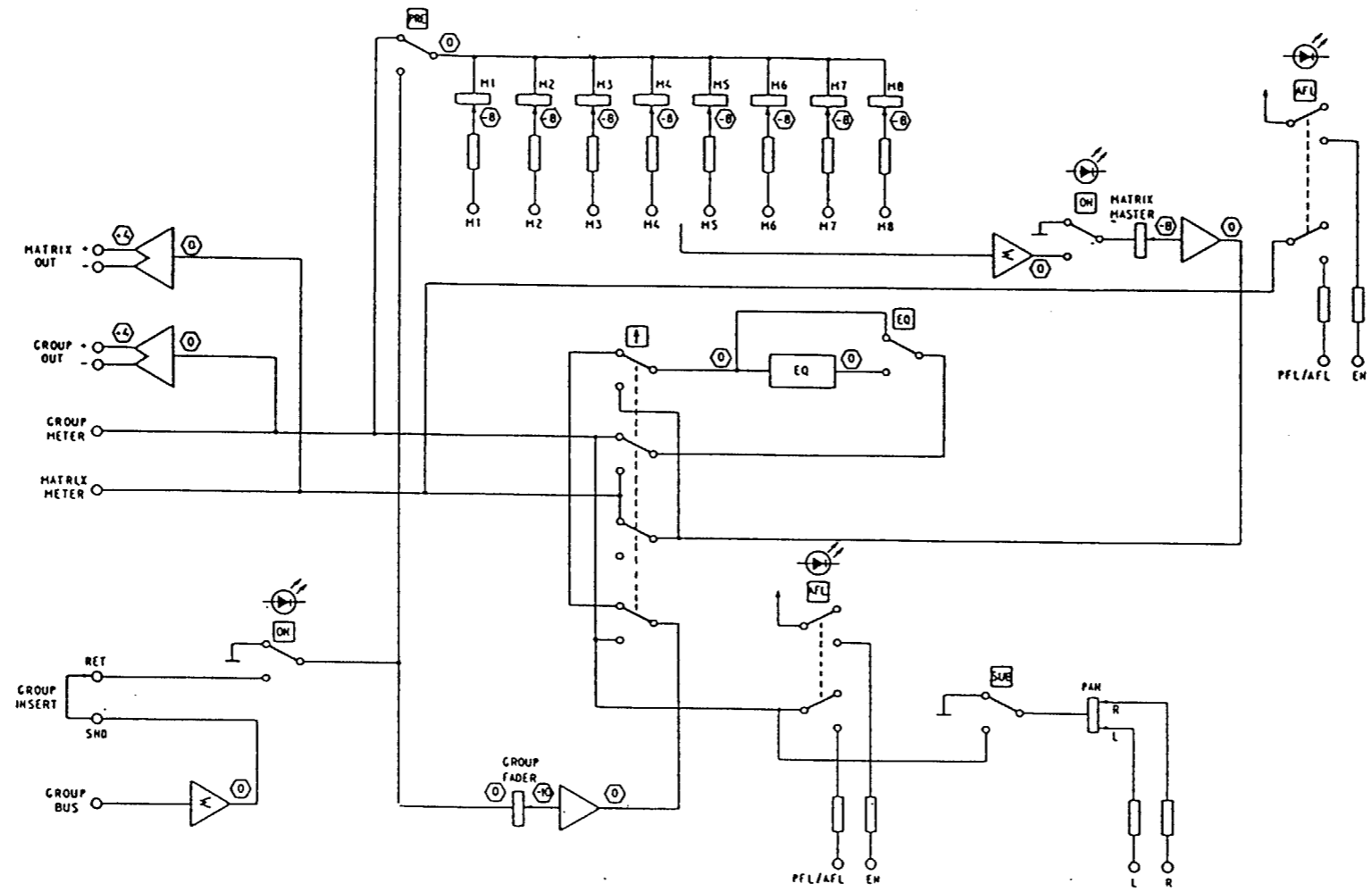
**CHKD** \_\_\_\_\_

SOUNDCRAFT ELECTRONICS LTD  
UNIT 2,  
BOREHAMWOOD INDUSTRIAL PARK,  
ROWLEY LANE,  
BOREHAMWOOD,  
HERTFORDSHIRE WD6 5PZ.  
TELEPHONE: 01-207-5050  
FACSIMILE No. 2070194

**TITLE**

S8000  
HOUSE INPUT  
CIRCUIT

DRG No. ED 2503

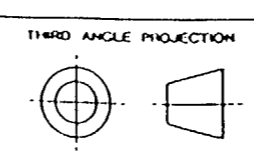


Soundcraft Electronics Limited own the copyright of this drawing which is not to be copied, reproduced or disclosed, in part or whole, to a third party without written permission.

NOTES.

HOLE INDEX.

TOLERANCE.  
All Imperial dimensions  $\pm 0.010$   
All metric dimensions  $\pm 0.25mm$   
All angles  $\pm 0.50^\circ$   
Unless otherwise stated.



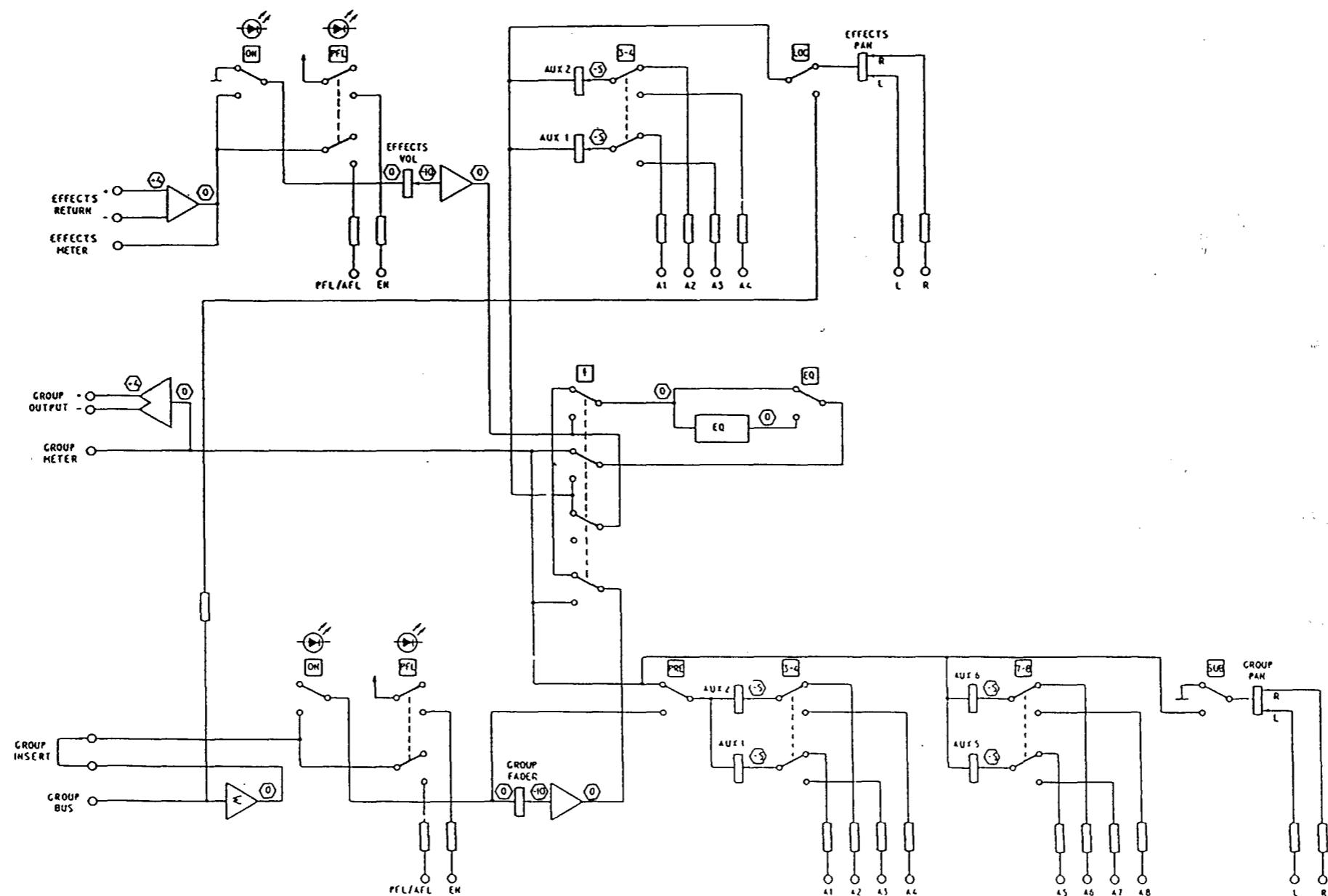
MATL.	---
FINISH	---
SCALE	---

ORIG. Mark  
TTCO.  
CHECK

SOUNDCRAFT ELECTRONICS LTD.  
5-8 GREAT SUTTON STREET  
LONDON EC4V 0BX.  
TELEPHONE. 01-251-3631/2/3  
TELEGRAMS. SOUNDCRAFT LON. EC1  
TELEX. UK No. 21190. USA No. 01-2203

TITLE S8000  
MATRIX OUTPUT  
BLOCK DIAGRAM

DWG No. M12605



Soundcraft Electronics Limited  
own the copyright of this drawing  
which is not to be copied, reproduced  
or disclosed, in part or whole, to a  
third party without written permission.

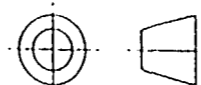
NOTES.

HOLE INDEX.

TOLERANCE.

All imperial dimensions  $\pm 0.010$   
All metric dimensions  $\pm 0.25mm$   
All angles  $\pm 0.50^\circ$   
Unless otherwise stated.

THIRD ANGLE PROJECTION



MATL.

FINISH.

SCALE.

UNC. Mark

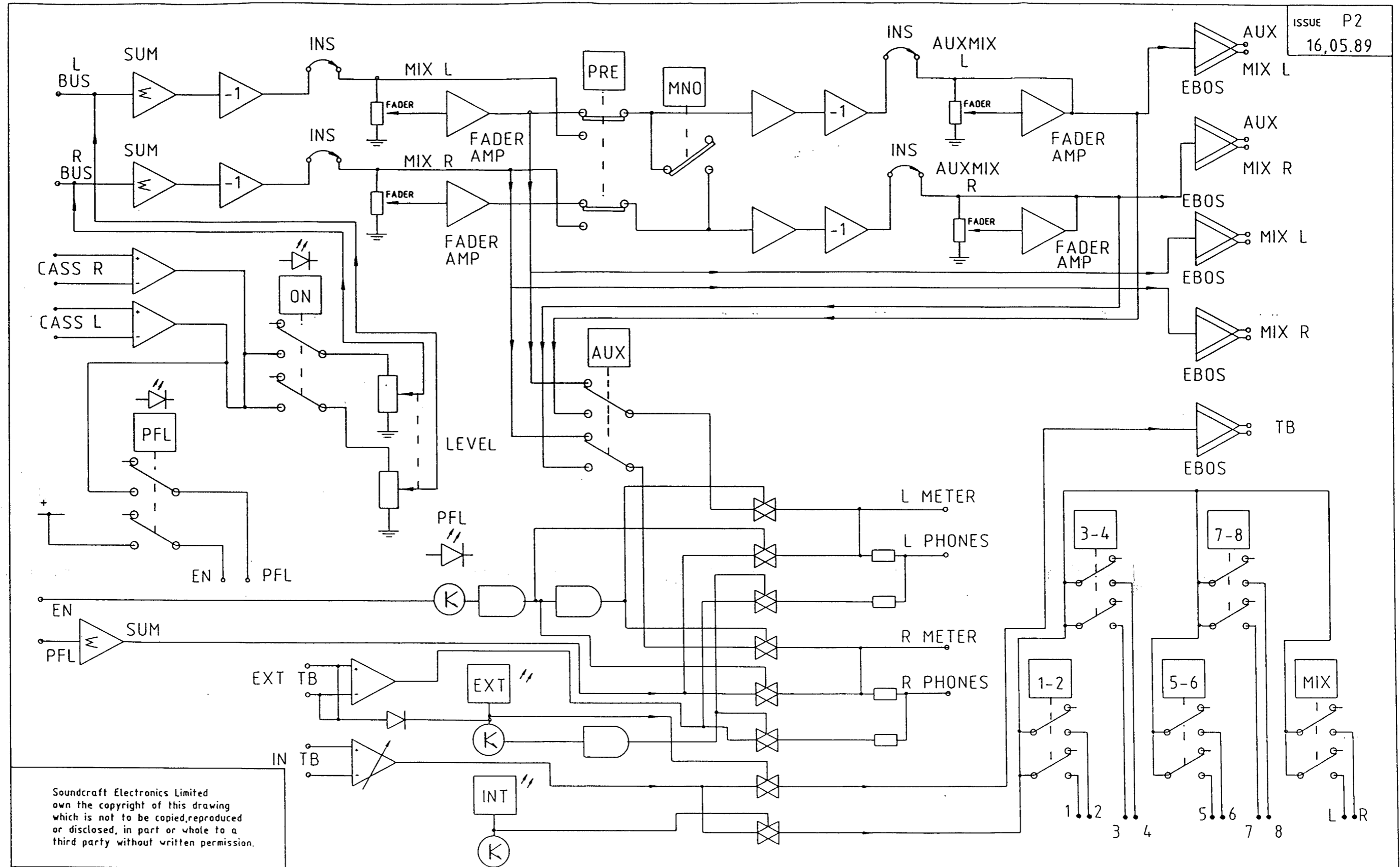
TRCD.

CHKD.

SOUNDRAFT ELECTRONICS LTD.  
5-8 GREAT SUTTON STREET  
LONDON, EC4V 0DX.  
TELEPHONE. 01-251-3831/2/3  
TELEGRAMS. SOUNDRAFT LDN. EC4  
TELEX. UK No. 21198. USA No. 01-2703

TITLE. S 8000  
EFFECTS RETURN  
OUTPUT BLOCK  
DIAGRAM

MI-2608



Soundcraft Electronics Limited own the copyright of this drawing which is not to be copied, reproduced or disclosed, in part or whole to a third party without written permission.

TOLERANCES	
HOLE SIZES AFTER PAINTING	GENERAL TOLERANCES
0-3mm = +0.10 -0.00	Delete where not applicable.
OVER 3-6mm = +0.12 -0.00	±0.50mm (0.020")
OVER 6-10mm = +0.15 -0.00	±0.25mm (0.010")
OVER 10-15mm = +0.18 -0.00	±0.12mm (0.005")
OVER 15-25mm = +0.21 -0.00	HOLE CENTRE ±0.004"
OVER 25mm = +0.25 -0.00	ALL ANGLES ±0.50°
	Unless otherwise stated.

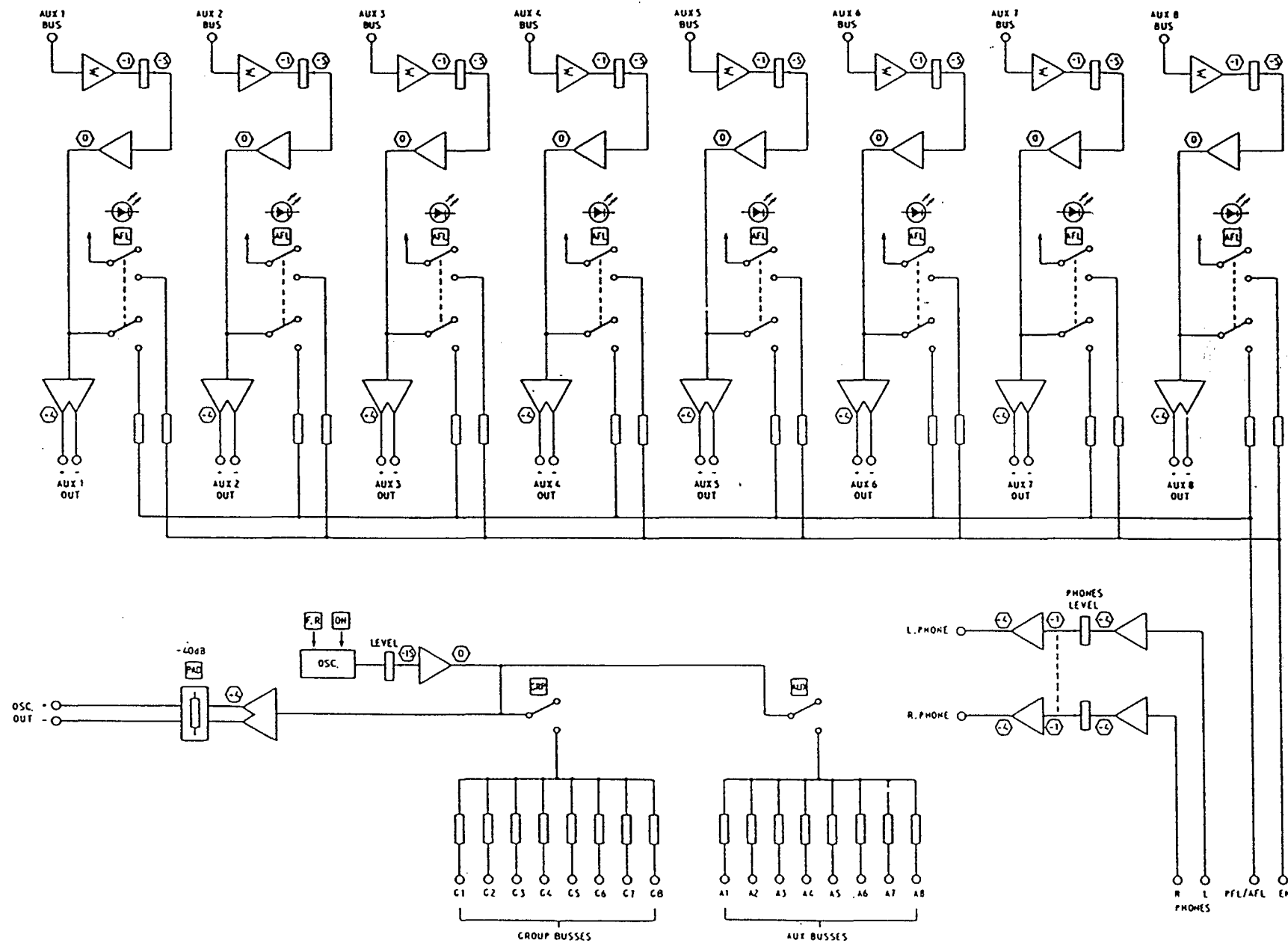
HOLE INDEX
<input type="checkbox"/>
<input type="checkbox"/>
<input type="checkbox"/>
<input type="checkbox"/>

MATL	DRN
	KJB
FINISH	TRCD
SCALE	CHKD
THIRD ANGLE PROJECTION THIS DRAWING TO COMPLY TO BS309.	

**SOUNDCRAFT**  
SOUNDCRAFT ELECTRONICS LTD  
UNIT 2,  
BOREHAMWOOD INDUSTRIAL PARK,  
ROWLEY LANE,  
BOREHAMWOOD,  
HERTFORDSHIRE WD6 5PZ.  
TELEPHONE: 01-207-5050  
FACSIMILE No. 2070194

TITLE  
S8000 MASTER  
MODULE  
BLOCK DIAGRAM

DRG. NO. M13033



Soundcraft Electronics Limited  
own the copyright of this drawing  
which is not to be copied, reproduced  
or disclosed, in part or whole, to a  
third party without written permission.

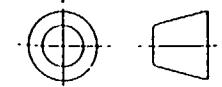
NOTES.

HOLE INDEX.

TOLERANCE.

All imperial dimensions  $\pm 0.010$   
All metric dimensions  $\pm 0.25\text{mm}$   
All angles  $\pm 0.50^\circ$   
Unless otherwise stated.

THIRD ANGLE PROJECTION



MATL.

FRAGL.

SCALE.

DWG. Mark

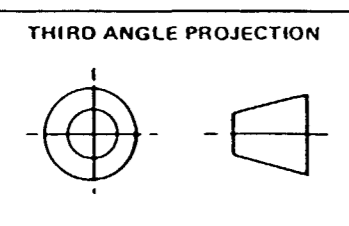
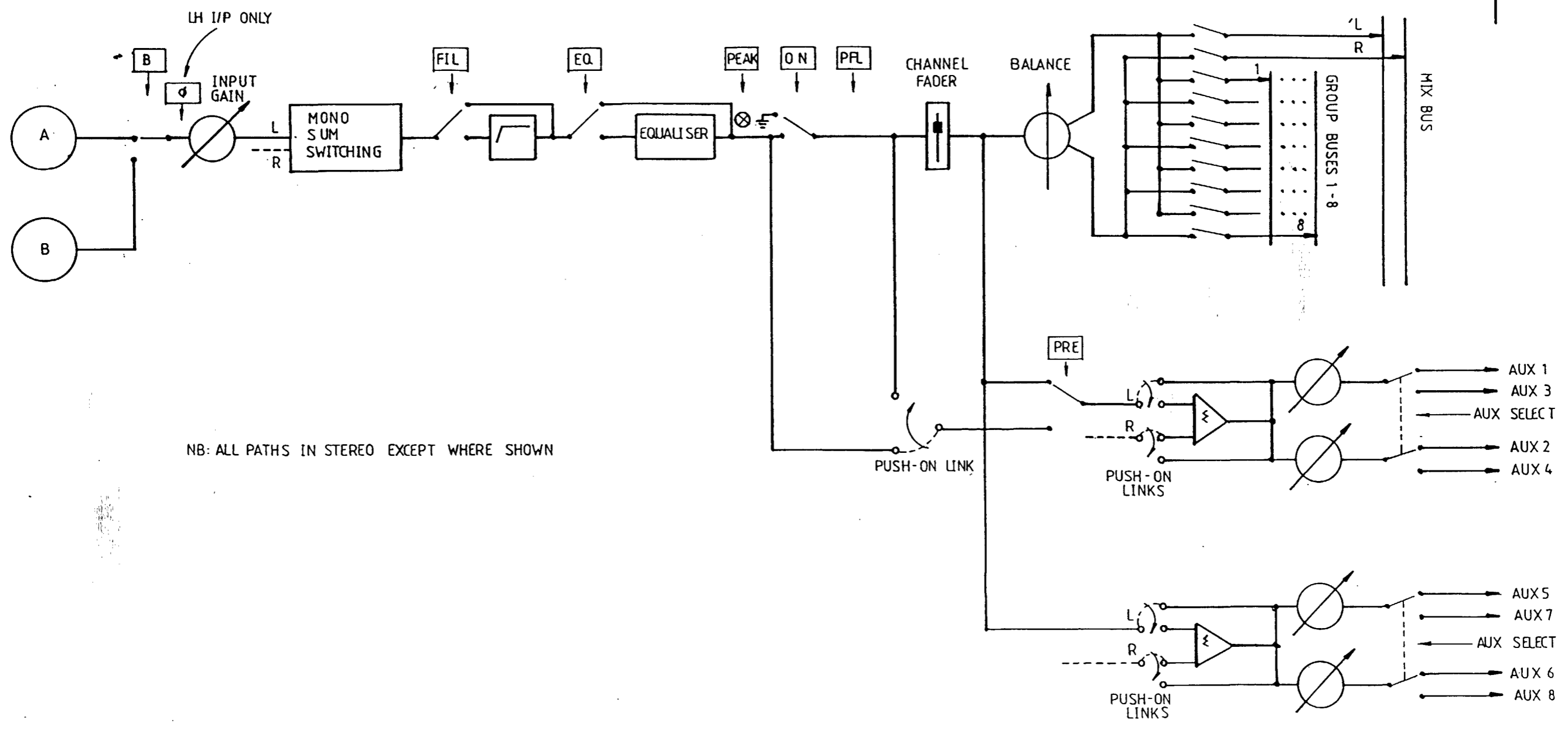
TRCD.

CHKD.

SOUNDCRAFT ELECTRONICS LTD.  
5-8 GREAT SUTTON STREET  
LONDON EC4V 0UX.  
TELEPHONE 01-251-3631/2/3  
TELEGRAMS. SOUNDCRAFT LDN EC4  
TELEX. UK No. 21190. USA No. 01-2200

TITLE S8000  
AUX/MASTER  
BLOCK DIAGRAM

M12607



**TOLERANCE**  
 All imperial dimensions  $\pm 0.010$   
 All metric dimensions  $\pm 0.25\text{mm}$   
 All angles  $\pm 0.50^\circ$   
 Unless otherwise stated

**HOLE INDEX**

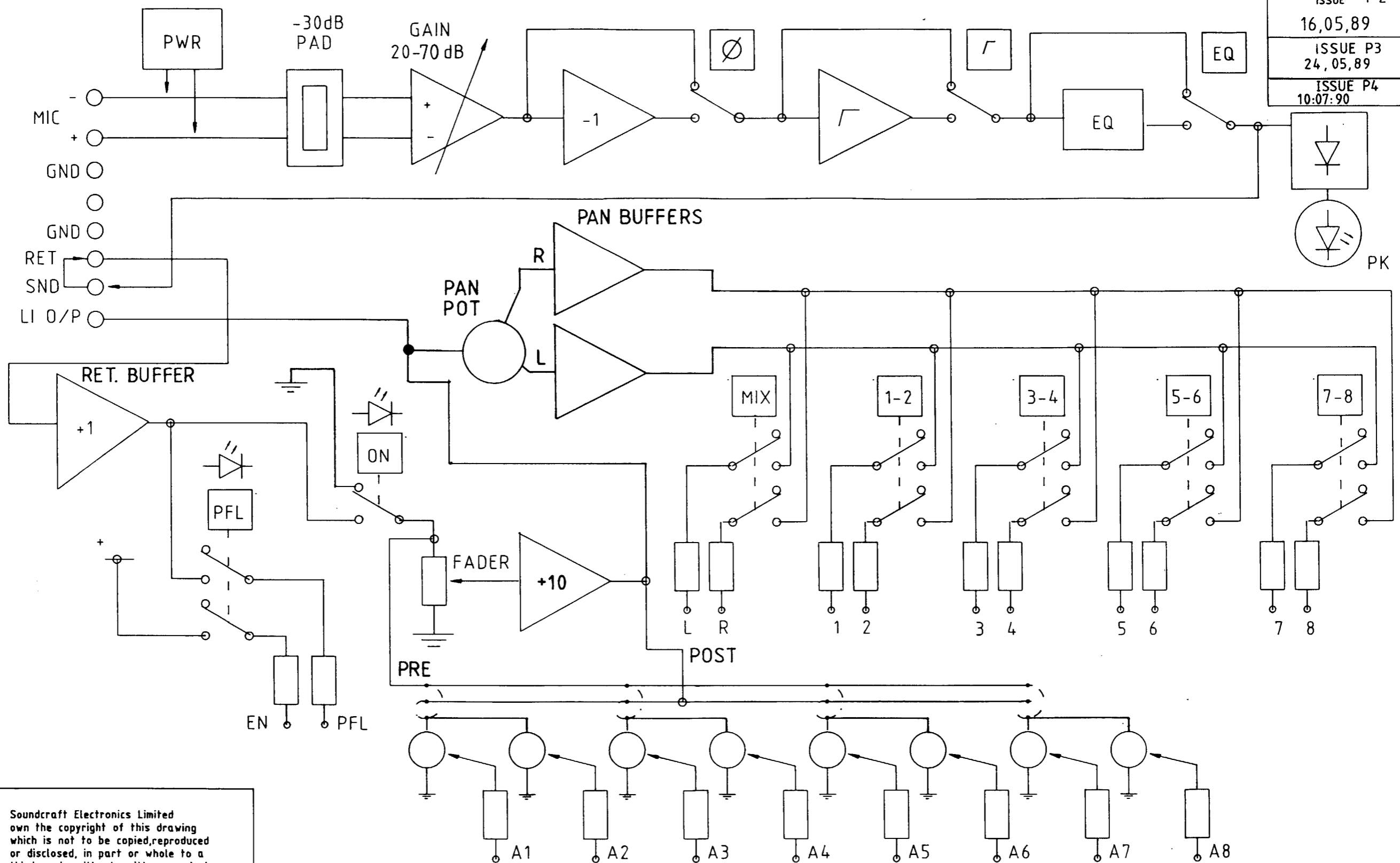
**MATL**  
**FINISH**  
**SCALE**

**DRN**  
 AB  
**TRCO**  
**CHKD**

**SOUNDCRAFT ELECTRONICS LTD**  
 5-8 GREAT SUTTON STREET  
 LONDON EC1V 0BX.  
 TELEPHONE. 01-251-3631/2/3  
 TELEGRAMS. SOUNDCRAFT LDN EC1  
 TELEX. UK. No. 21198. USA. No. 224408

**TITLE S800B STEREO I/P MOL**  
**SIGNAL FLOW DIAGRAM**  
**ORG. No. ED 2243**

ISSUE P2  
16,05,89  
ISSUE P3  
24,05,89  
ISSUE P4  
10:07:90



Soundcraft Electronics Limited own the copyright of this drawing which is not to be copied, reproduced or disclosed, in part or whole to a third party without written permission.

TOLERANCES	
<b>HOLE SIZES AFTER PAINTING</b>	<b>GENERAL TOLERANCES</b>
0-3mm = +0.10 -0.00	Delete where not applicable.
OVER 3-6mm = +0.12 -0.00	±0.50mm (0.020")
OVER 6-10mm = +0.15 -0.00	±0.25mm (0.010")
OVER 10-18mm = +0.18 -0.00	±0.12mm (0.005")
OVER 18-25mm = +0.21 -0.00	HOLE CENTRE ±0.004"
OVER 25mm = +0.25 -0.00	ALL ANGLES ±0.50°
	Unless otherwise stated.

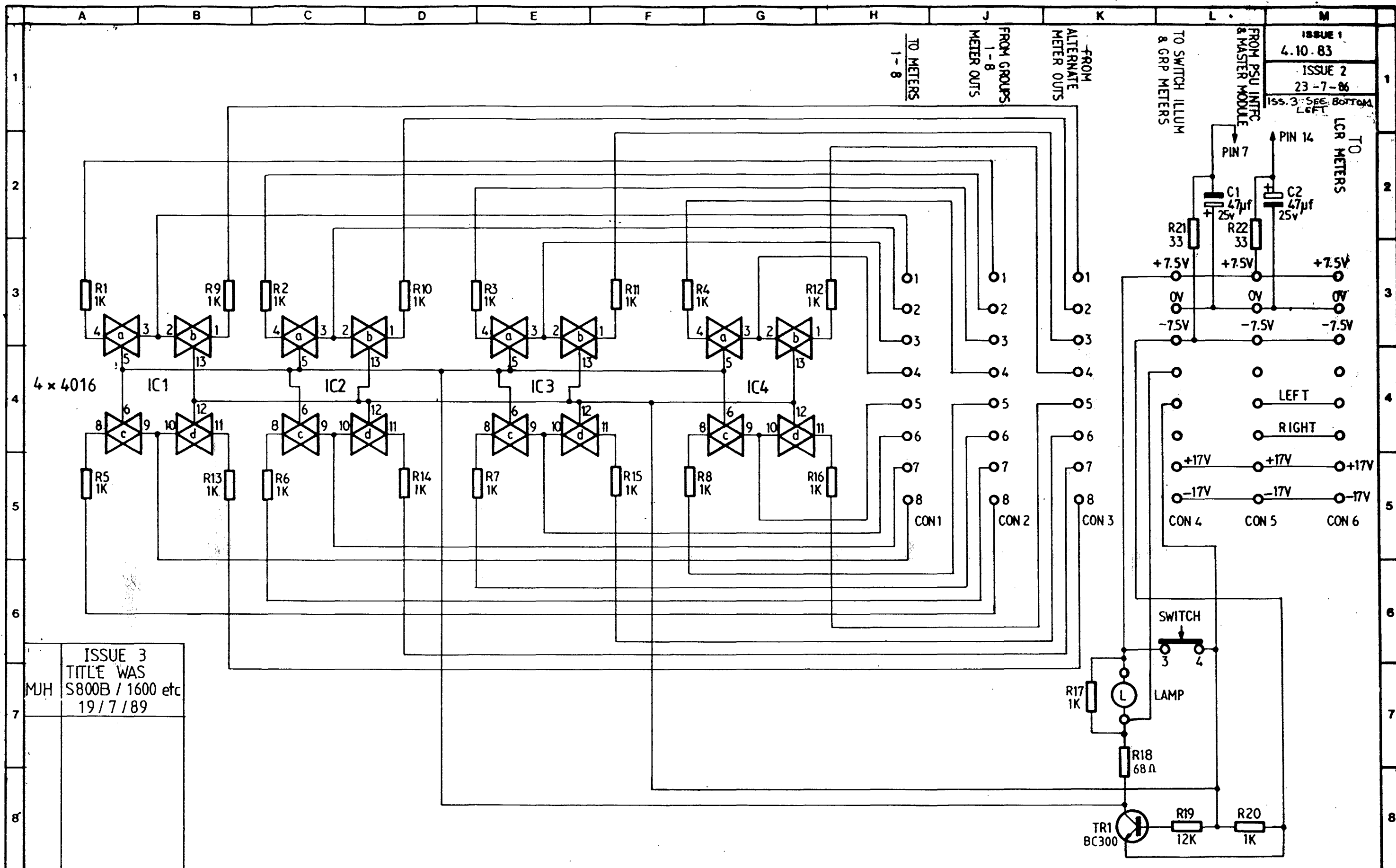
HOLE INDEX	
<input type="checkbox"/>	<input type="checkbox"/>
<input type="checkbox"/>	<input type="checkbox"/>
<input type="checkbox"/>	<input type="checkbox"/>
<input type="checkbox"/>	<input type="checkbox"/>

MATL	DRN KJB
FINISH	TRCD
SCALE	CHKD
THIRD ANGLE PROJECTION THIS DRAWING TO COMPLY TO BS308.	

**SOUNDCRAFT**  
 SOUNDRAFT ELECTRONICS LTD  
 UNIT 2,  
 BOREHAMWOOD INDUSTRIAL PARK,  
 ROWLEY LANE,  
 BOREHAMWOOD,  
 HERTFORDSHIRE WD6 5PZ.  
 TELEPHONE: 01-207-5050  
 FACSIMILE No. 2070194

TITLE S8000 PA I/P  
 BLOCK DIAGRAM  
 11,05,89  
 ORG. NO. M13032

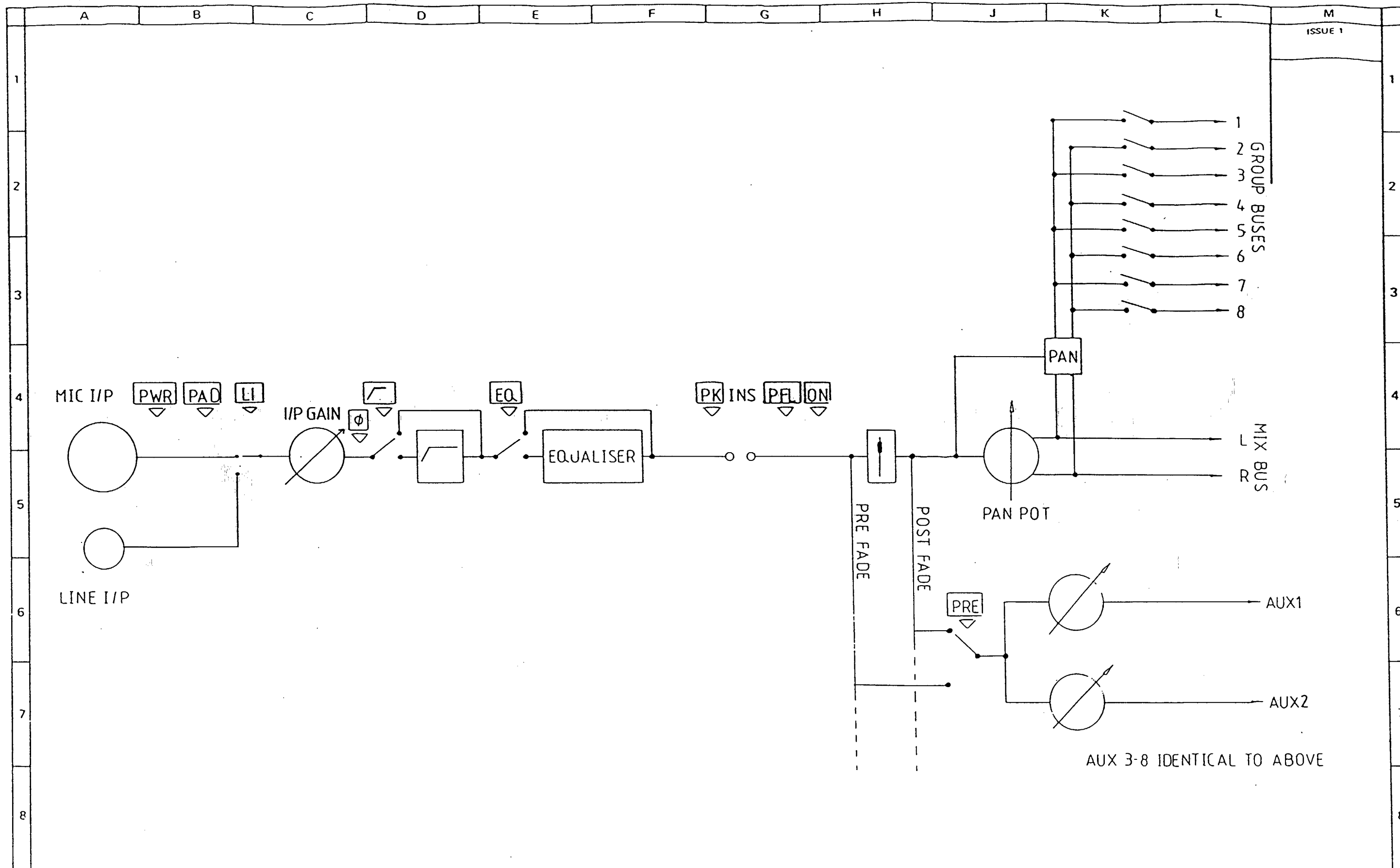




ISSUE 1  
4.10.83  
ISSUE 2  
23-7-86  
ISS. 3: SEE BOTTOM LEFT

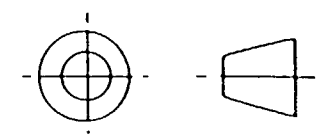
ISSUE 3  
TITLE WAS  
S800B / 1600 etc  
19/7/89

THIRD ANGLE PROJECTION 	TOLERANCE	HOLE INDEX	MATL	DRN	SOUNDCRAFT ELECTRONICS LTD 5-8 GREAT BUTTON STREET, LONDON ECTV. OBX. TELEPHONE. 01-251-3631/2/3 TELEGRAMS: SOUNDCRAFT LDN EC1 TELEX. UK.No. 21198. USA.No. 224408	TITLE
			FINISH	TRCD Penny		S8000 MTR SWITCH PCB
			SCALE	CHKD		DRG.No. ED 2142



ISSUE 1

THIRD ANGLE PROJECTION



TOLERANCE

All imperial dimensions  $\pm 0.010$   
 All metric dimensions  $\pm 0.25\text{mm}$   
 All angles  $\pm 0.50^\circ$   
 Unless otherwise stated

HOLE INDEX

MATL

FINISH

SCALE

DRN

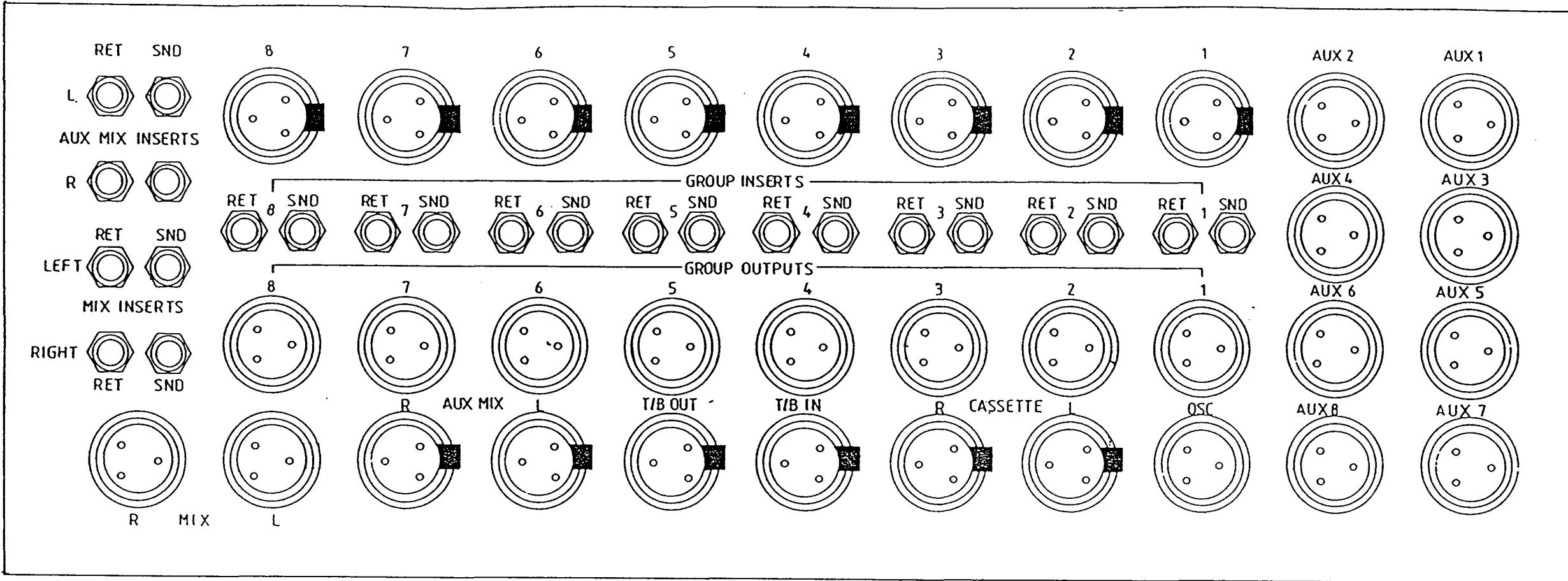
TRCD

CHKD

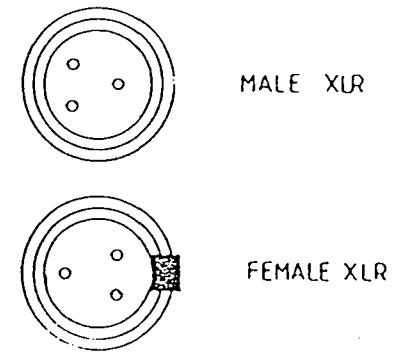
SOUNDCRAFT ELECTRONICS LTD  
 5-8 GREAT SUTTON STREET  
 LONDON EC1V 0BX.  
 TELEPHONE. 01-261-3631/2/3  
 TELEGRAMS. SOUNDCRAFT LON EC1  
 TELEX. UK. No. 21198. USA. No. 224408

TITLE 8000  
 ADVANCED INPUT MDL  
 SIGNAL FLOW DIAG

ORG. No. M12547



NB: TOP 8 XLRs ARE EFFECTS RETURNS.  
THESE ARE MALE ON THE MATRIX O/P RR CONN & ARE THE 8 MATRIX O/Ps



**TOLERANCES**  
HOLE SIZES AFTER PAINTING

0-3mm	+ 0.10 - 0.00
OVER 3-6mm	+ 0.12 - 0.00
OVER 6-10mm	+ 0.16 - 0.00
OVER 10-14mm	+ 0.16 - 0.00
OVER 14-28mm	+ 0.21 - 0.00
OVER 28mm	+ 0.25 - 0.00

**GENERAL TOLERANCE**  
Default where not applicable

± 0.50mm (0.020")  
± 0.25mm (0.010")  
± 0.12mm (0.005")

HOLE CENTRES ± 0.004"  
ALL ANGLES ± 0.60°  
Unless otherwise stated

**HOLE INDEX**

<input type="checkbox"/>	<input type="checkbox"/>
<input type="checkbox"/>	<input type="checkbox"/>
<input type="checkbox"/>	<input type="checkbox"/>
<input type="checkbox"/>	<input type="checkbox"/>

MATL	DRN AB
FINISH	TRCD
SCALE	CHKD

THIRD ANGLE PROJECTION  
THIS DRAWING TO COMPLY TO BS308

SOUNDCRAFT ELECTRONICS LTD  
UNIT 2,  
BOREHAMWOOD INDUSTRIAL PARK,  
ROWLEY LANE,  
BOREHAMWOOD,  
HERTFORDSHIRE WD6 5PZ  
TELEPHONE 01 207 5050  
FACSIMILE No 2070194

TITLE S8000 STD O/P  
REAR CONN PANEL

DRG. No M1 2546