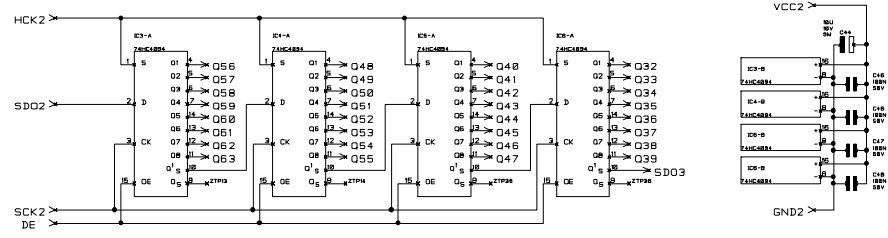
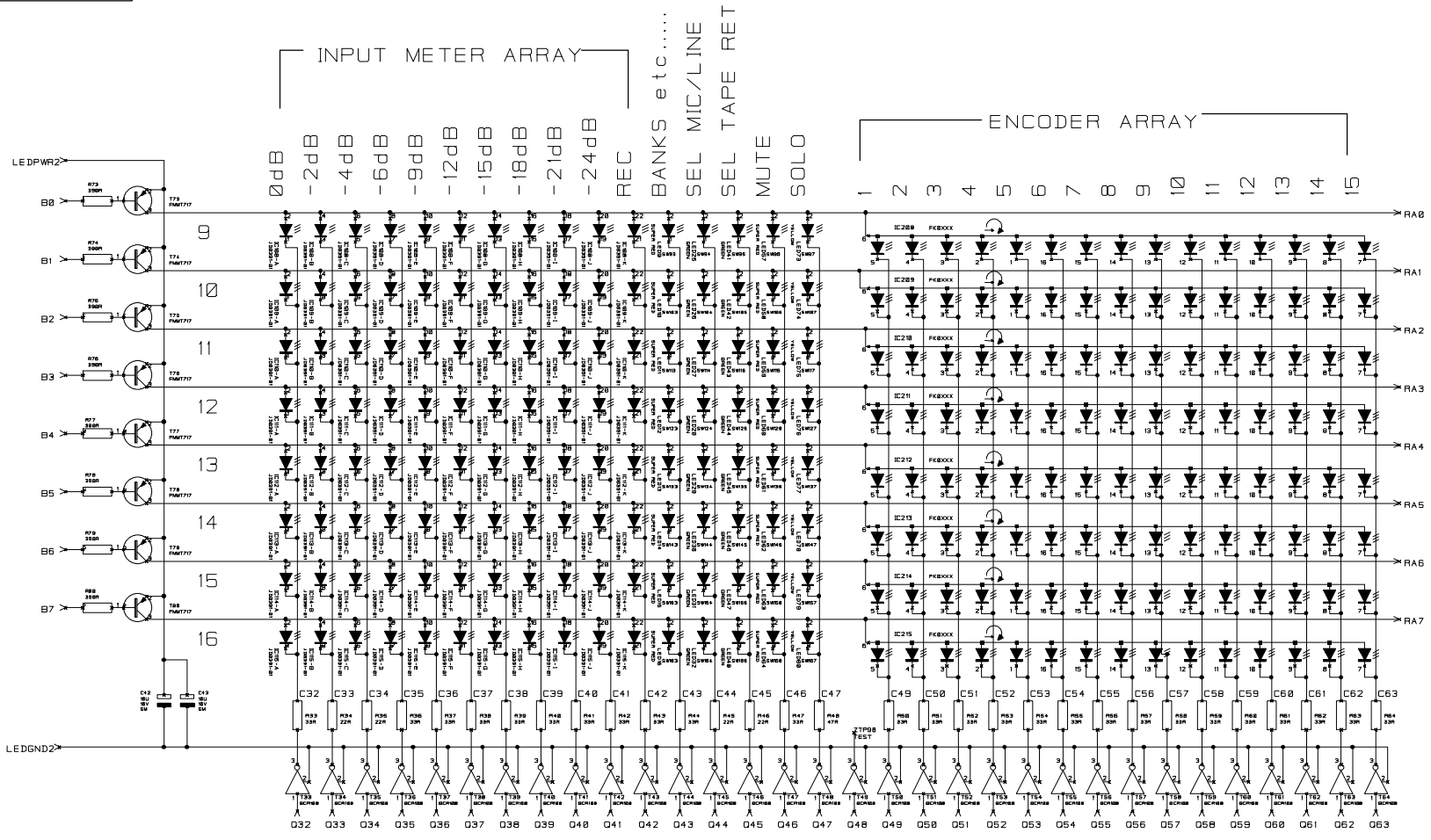


NOTES

DRN. AH, SH

TITLE
DIGITAL 328
Input Control Surface
LED Matrix Part 1

DRG NO. ED3807

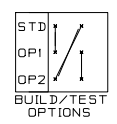
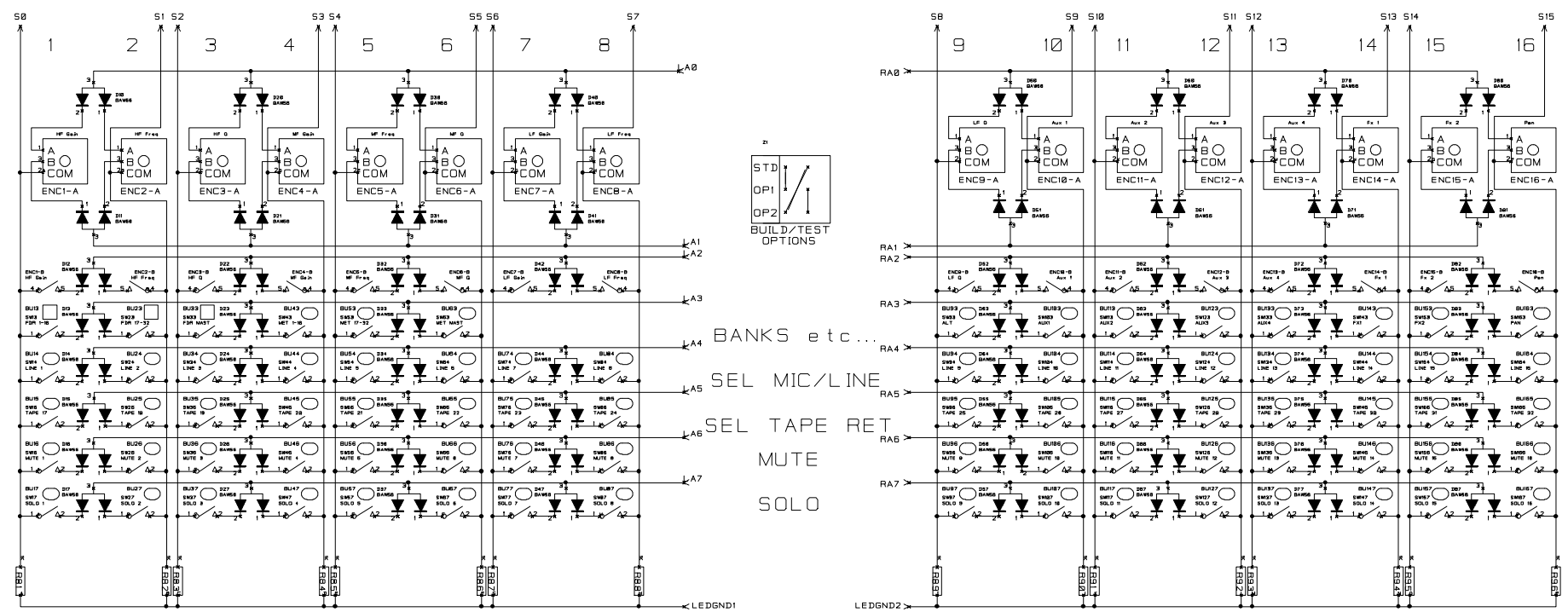


NOTES

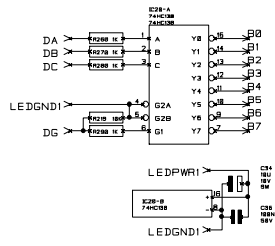
DRN. AH, SH

TITLE
DIGITAL 328
Input Control Surface
LED Matrix Part 2

DRG NO. ED3807



BANKS etc...
 SEL MIC/LINE
 SEL TAPE RET
 MUTE
 SOLO

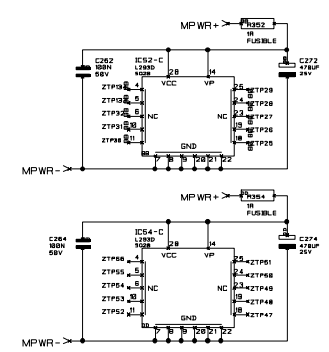
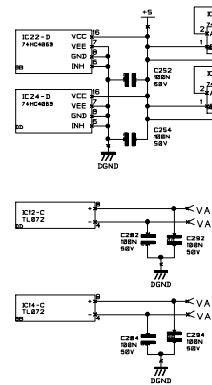
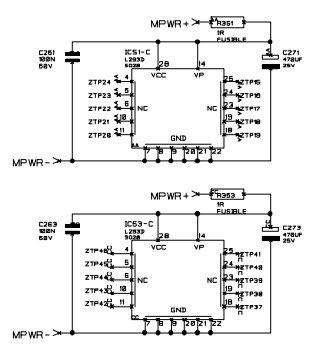
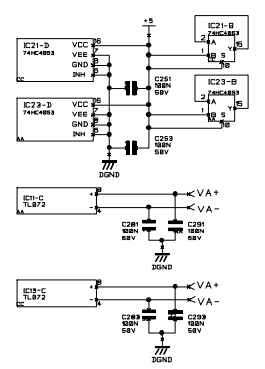
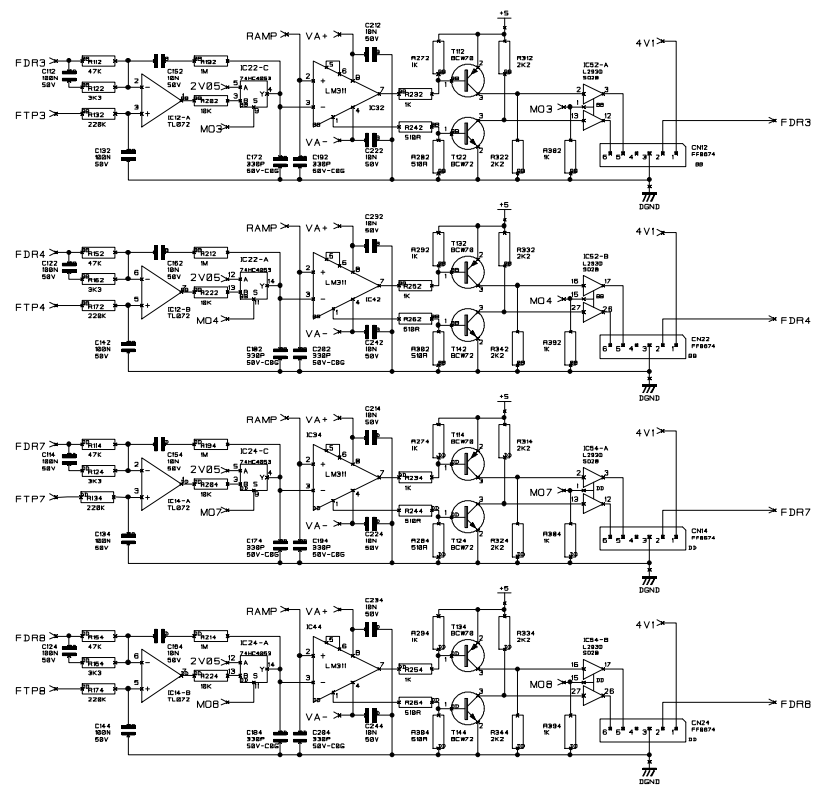
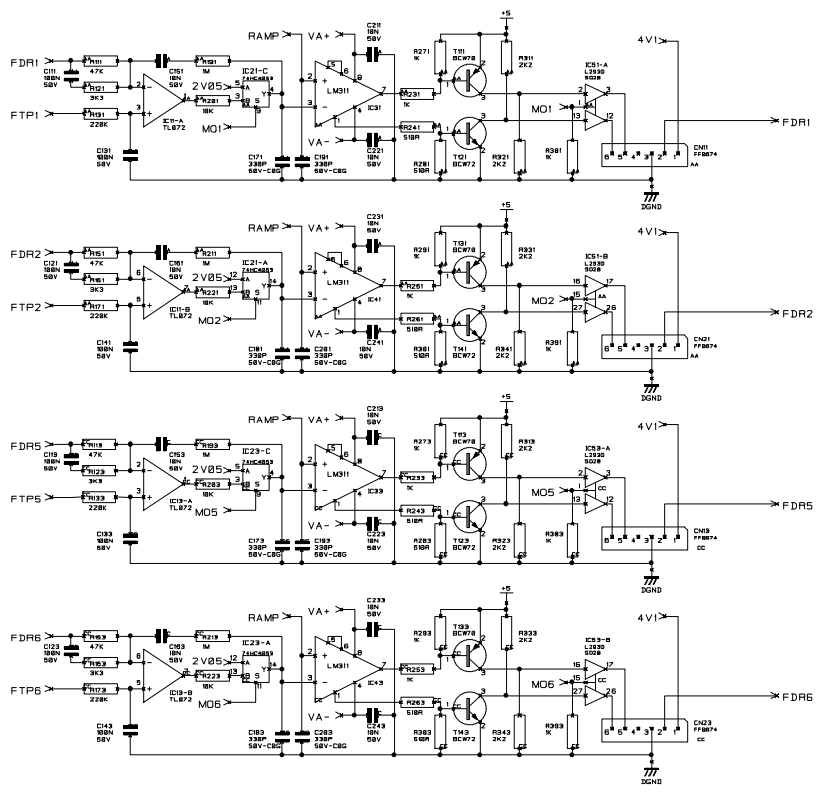


NOTES

DRN. AH, SH

TITLE
 DIGITAL 328
 Input Control Surface
 Switch Matrix

DRG NO. ED3807

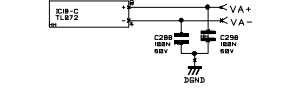
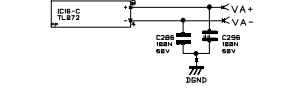
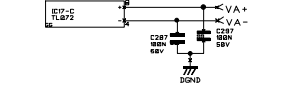
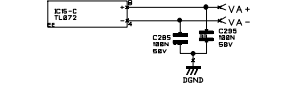
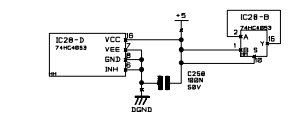
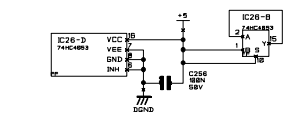
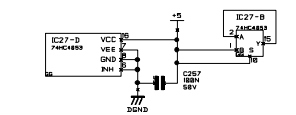
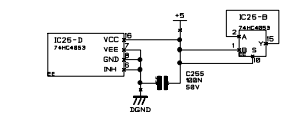
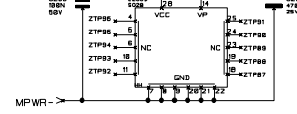
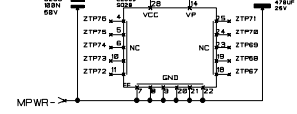
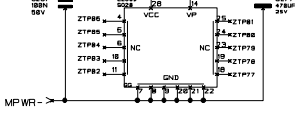
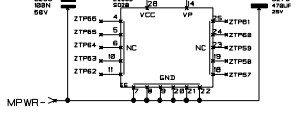
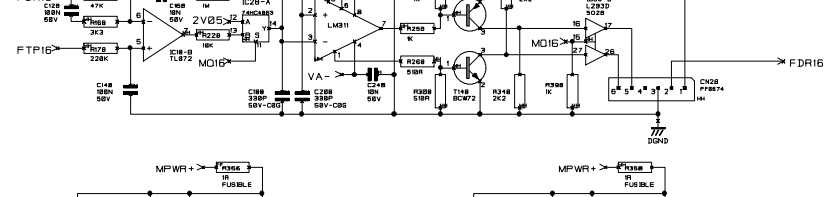
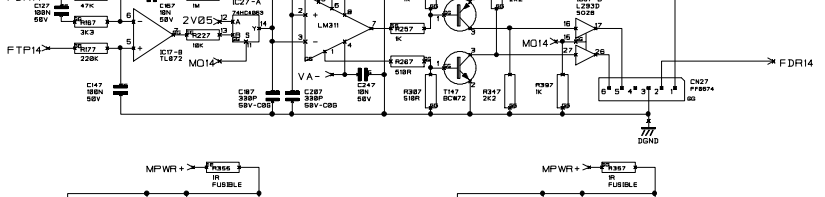
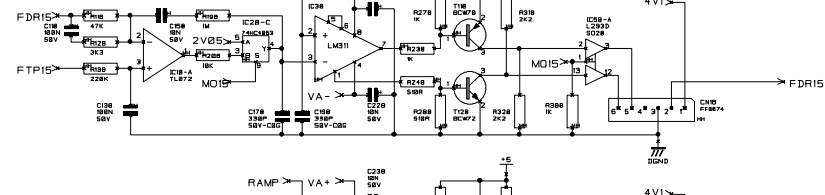
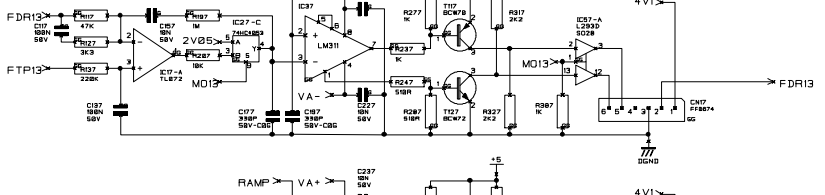
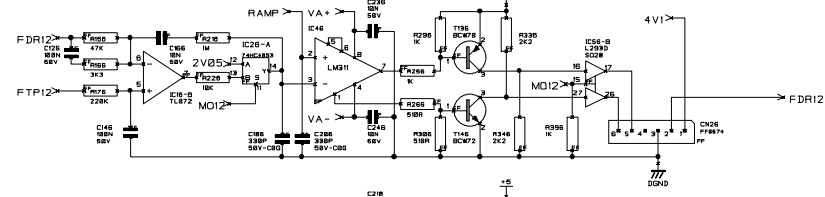
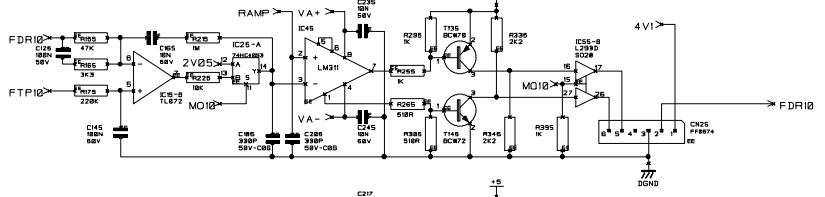
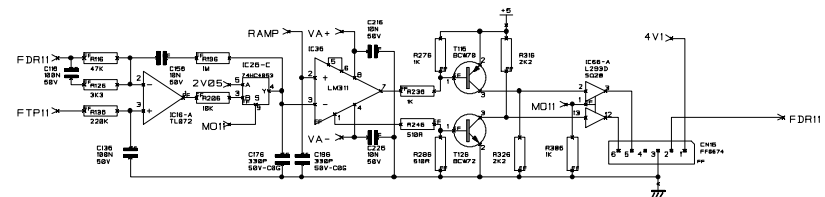
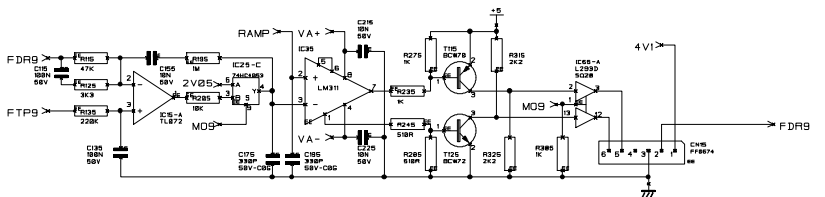


NOTES

DRN. AH, SH

TITLE
DIGITAL 328
Input Control Surface
Fader Drivers Part 1

DRG NO. ED3807



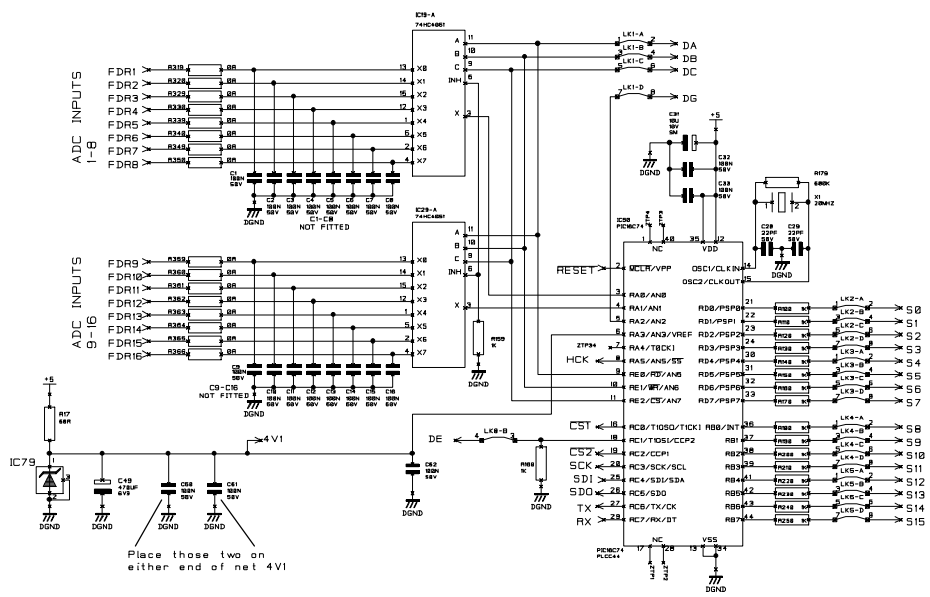
NOTES

DRN. AH, SH

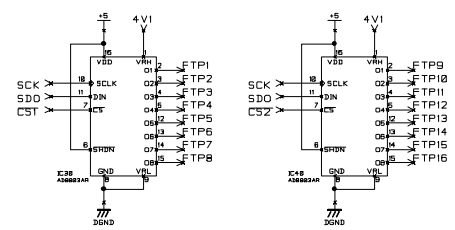
TITLE
DIGITAL 328
Input Control Surface
Fader Drivers Part 2

DRG NO. ED3807

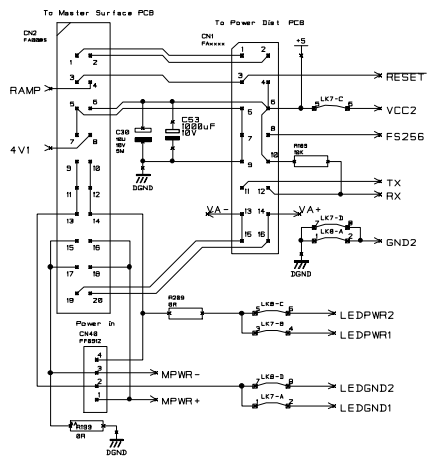
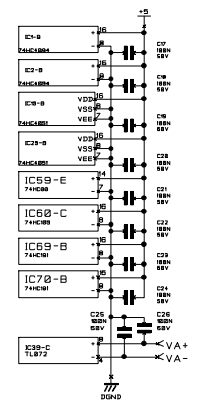
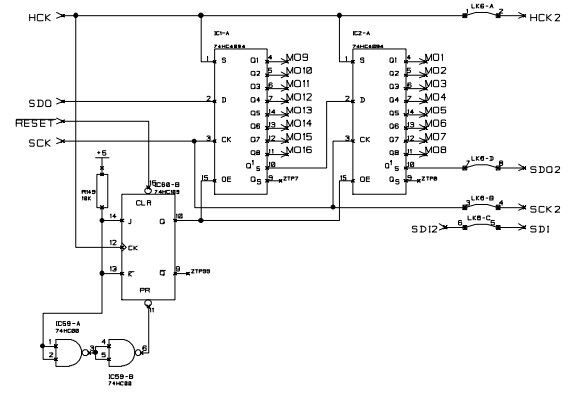
Controller/Fader Mux



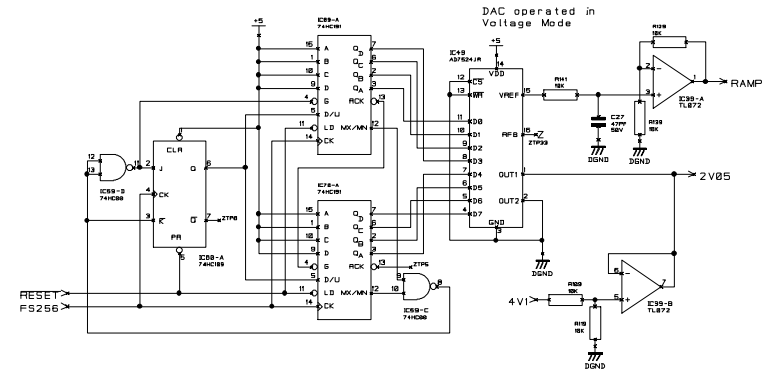
Fader Target Setting



Motor On Signals



Ramp Generator



NOTES

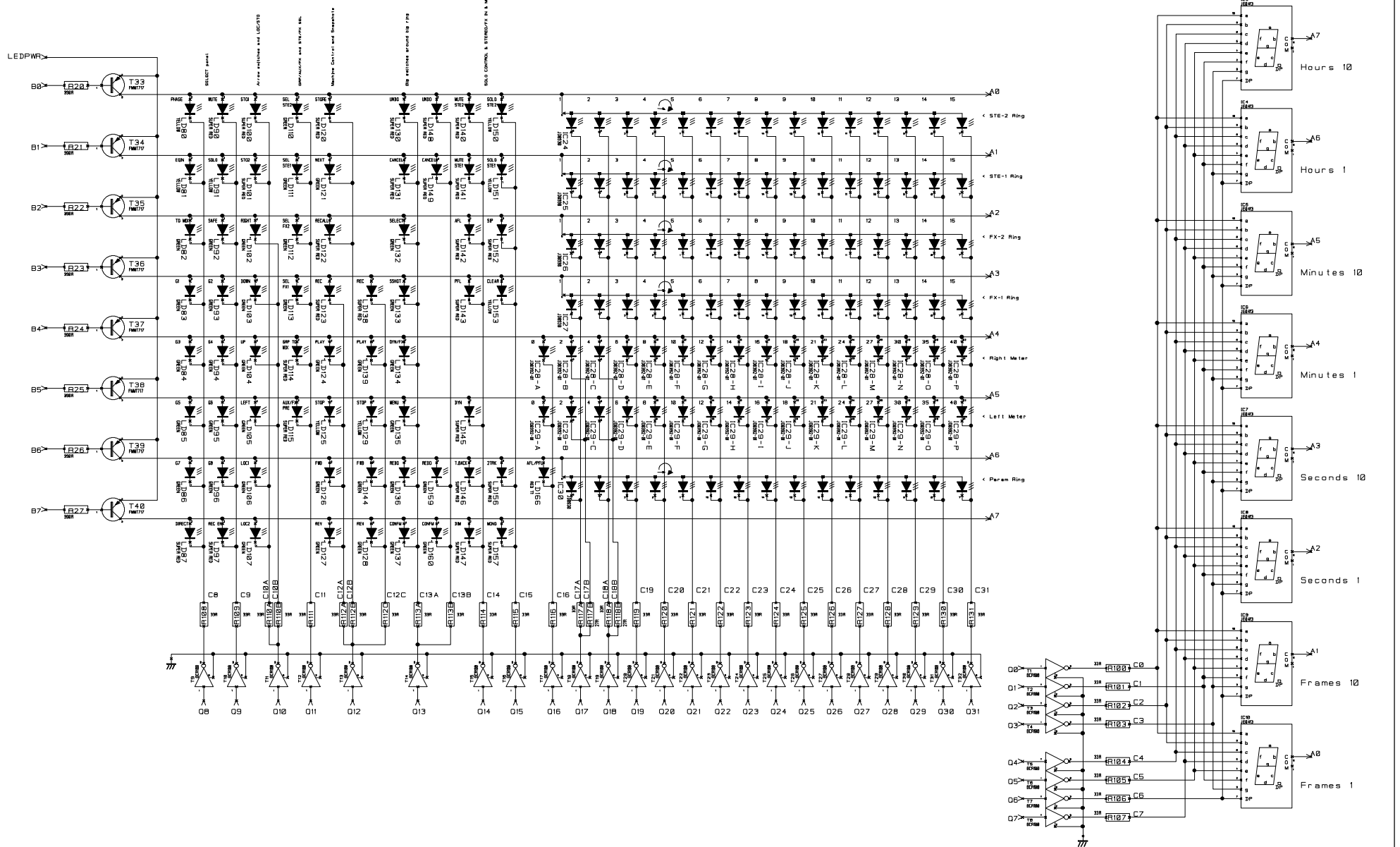
Notes section for the schematic, containing any additional information or instructions.

DRN.

AH, SH

TITLE
DIGITAL 328
Input Control
Surface Logic

DRG NO. ED3807

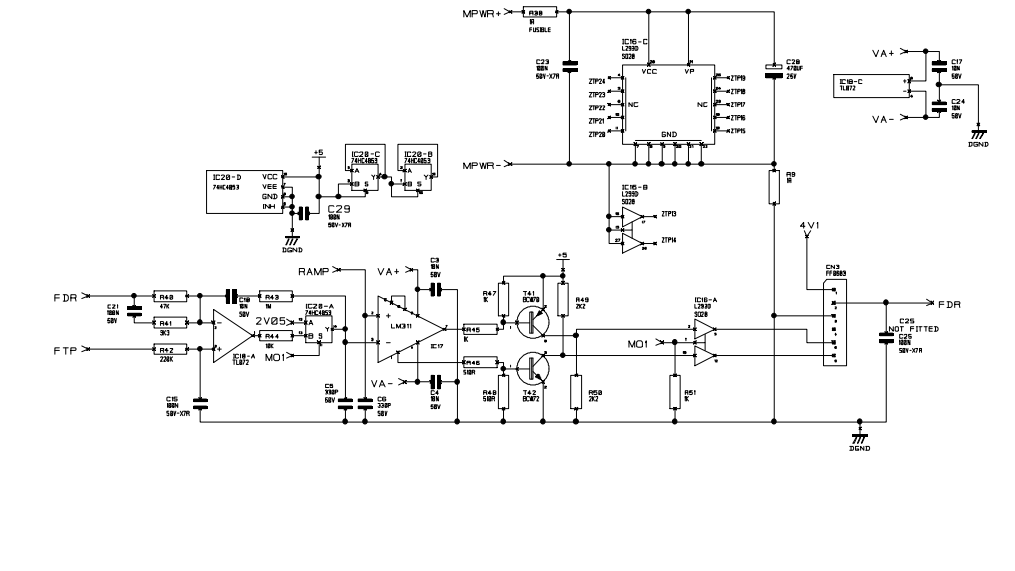
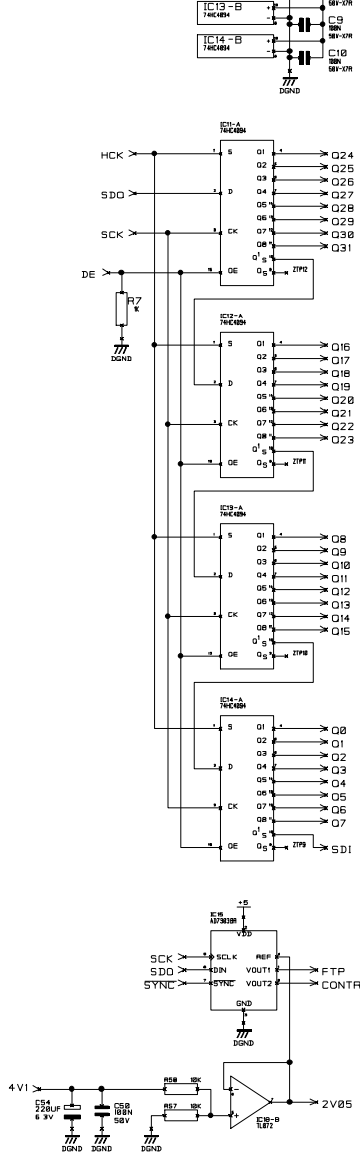
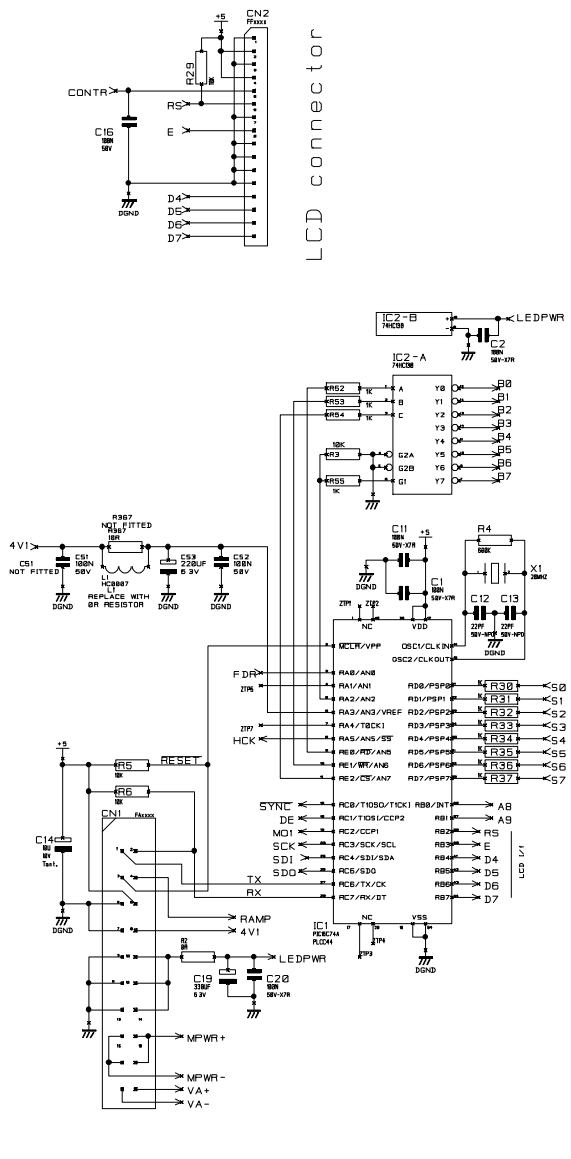


NOTES

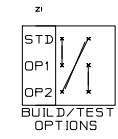
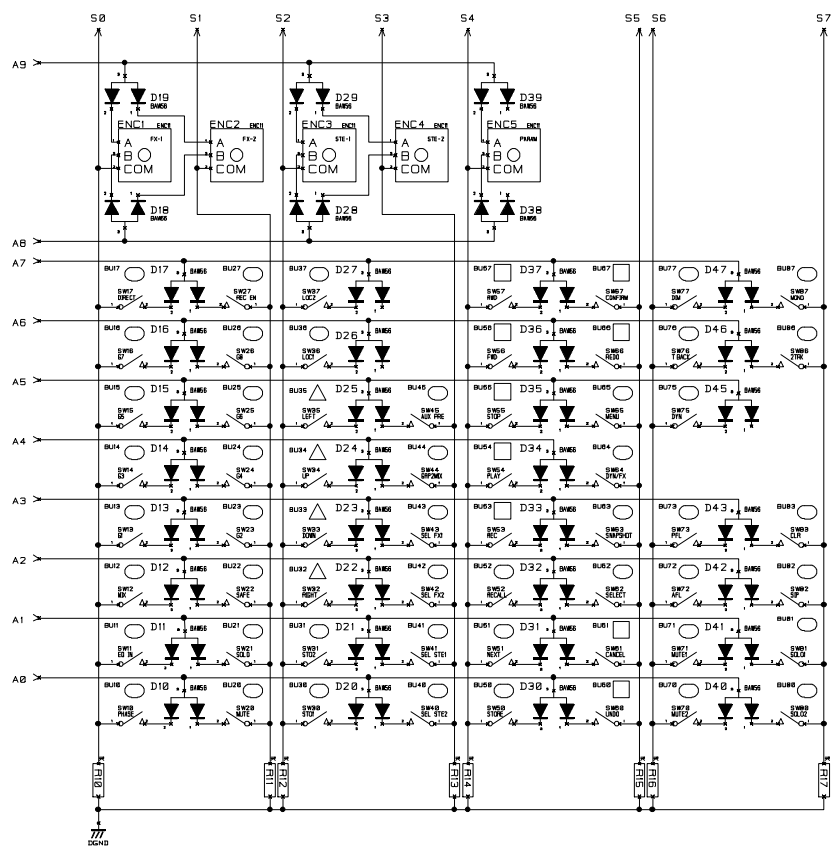
DRN.

TITLE
Tadpole Master Control Surface
LED Matrix

DRG NO.
ED 3808



NOTES	DRN.	TITLE
		Tadpole Master Control Surface Logic
		DRG NO. ED 3808

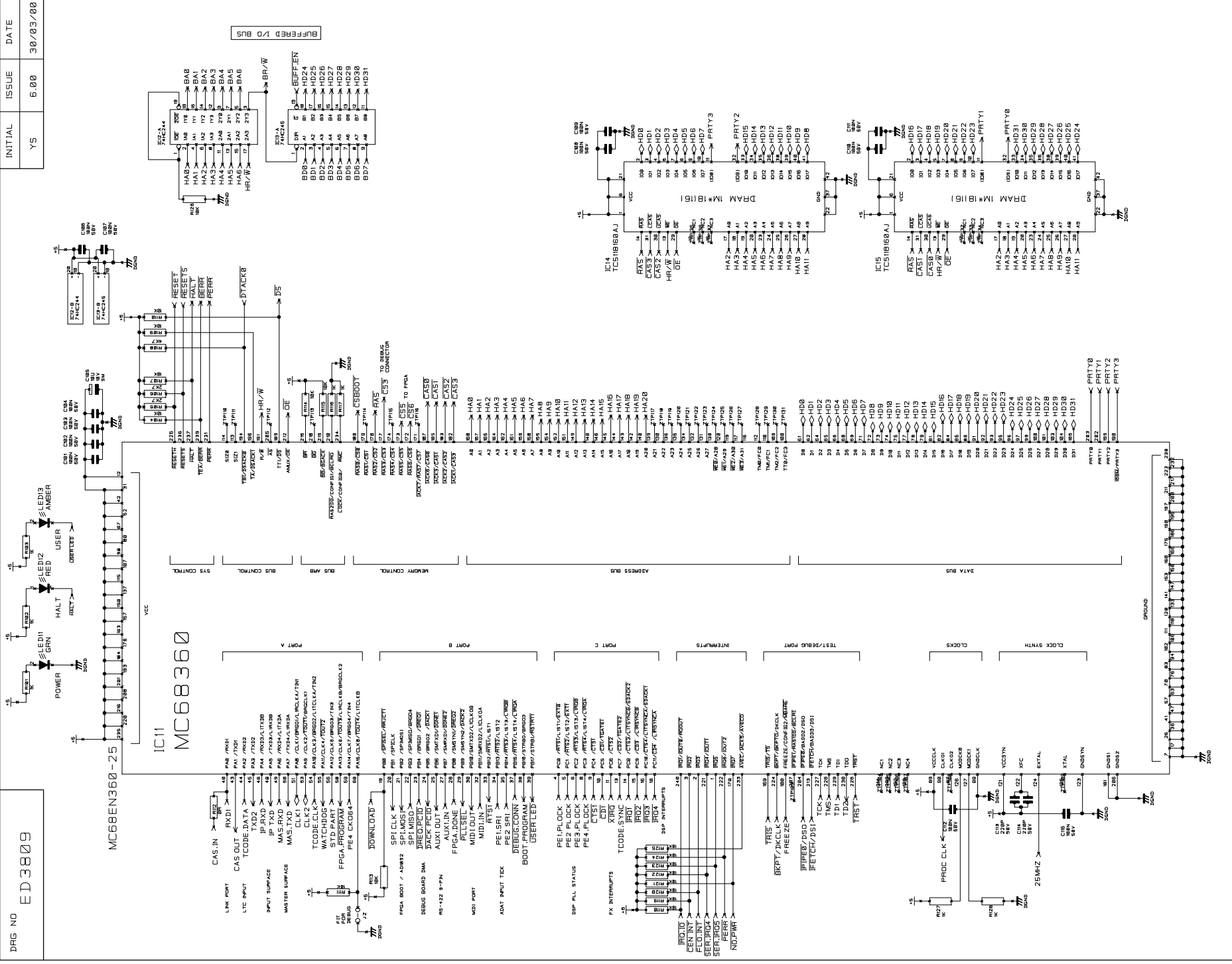


NOTES

DRN.

TITLE
Tadpole Master Control Surface
Switches and Fader

DRG NO. ED 3808



NOTES

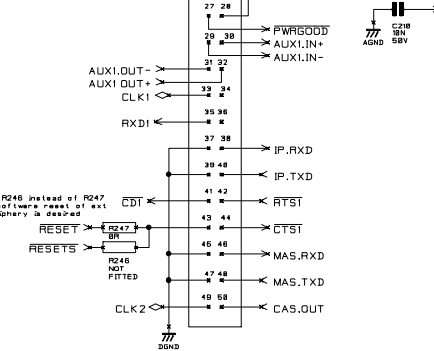
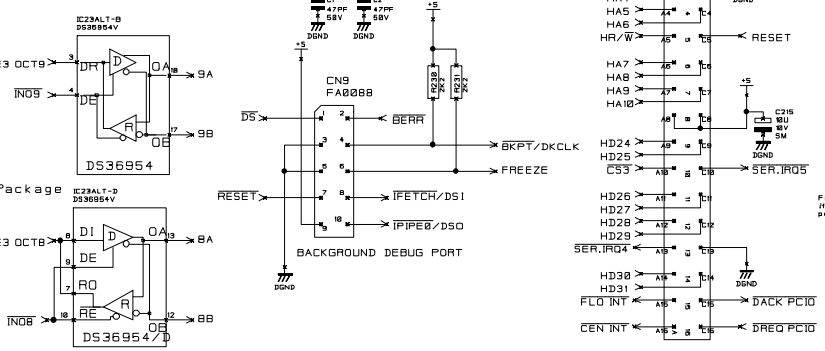
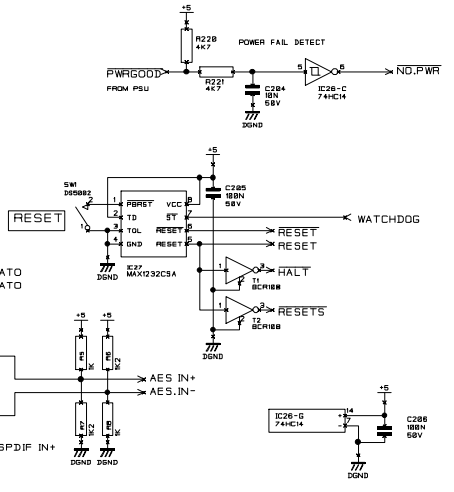
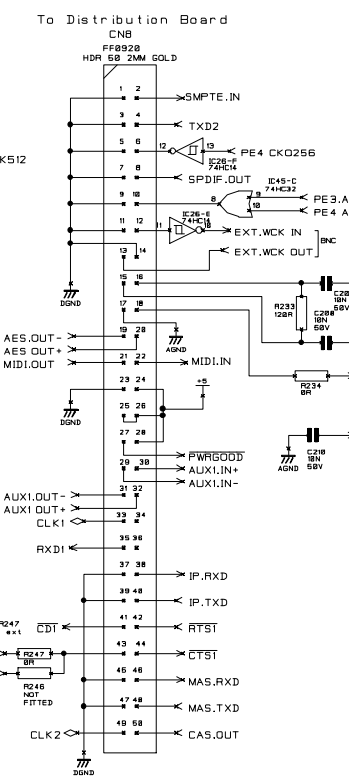
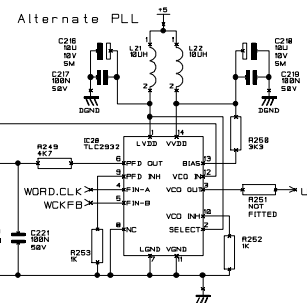
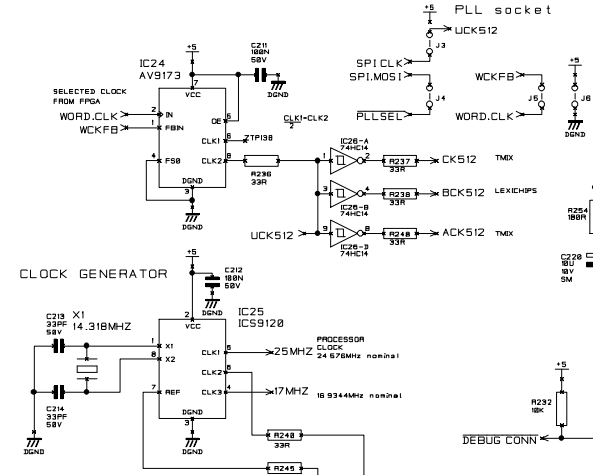
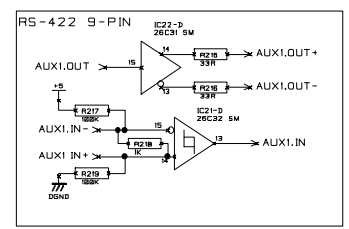
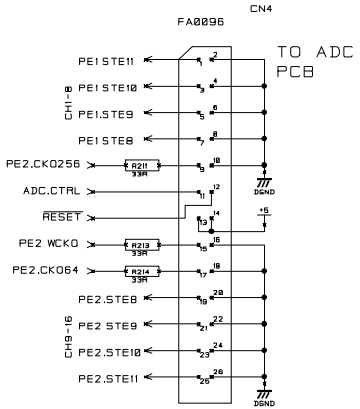
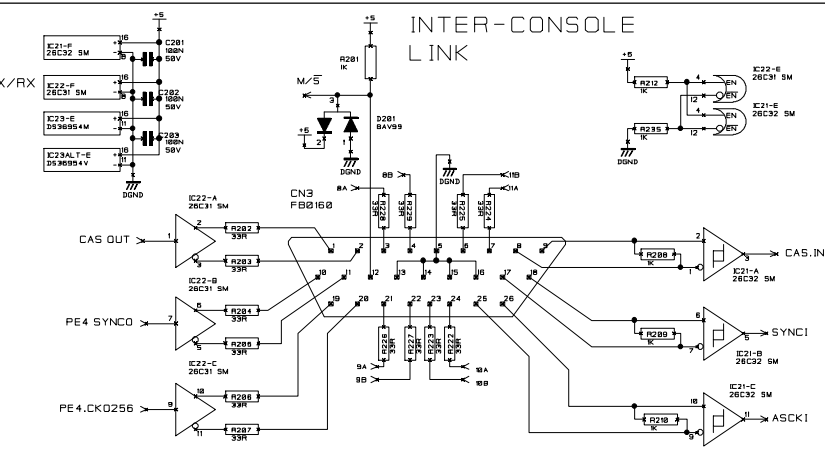
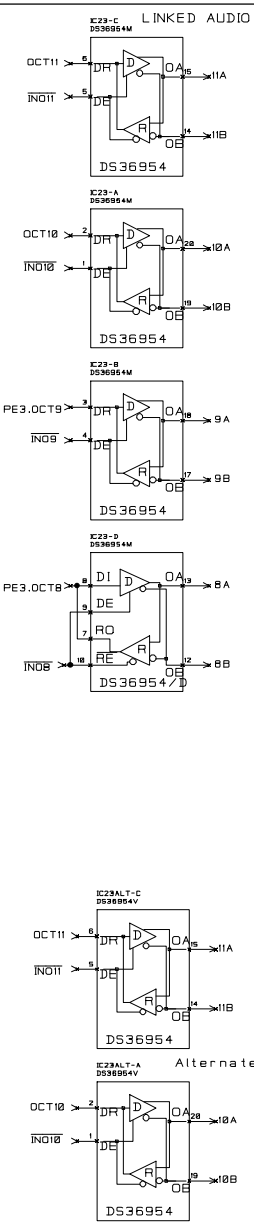
DRN. AH, SH

TITLE
DIGITAL 328 PROCESSOR PCB
CONTROL PROCESSOR

DRG NO. ED.3809

DRG NO. ED3809

INITIAL	ISSUE	DATE
YS	6:00	30/03/00



NOTES

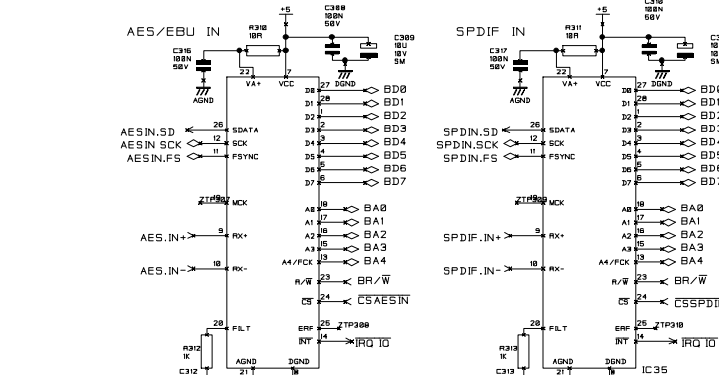
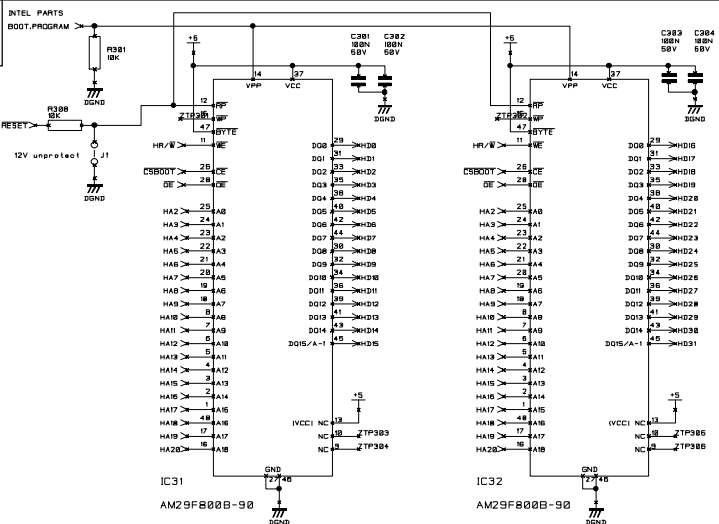
DRN. AH, SH

TITLE
DIGITAL 328 PROCESSOR
CLOCKS & INTERFACE

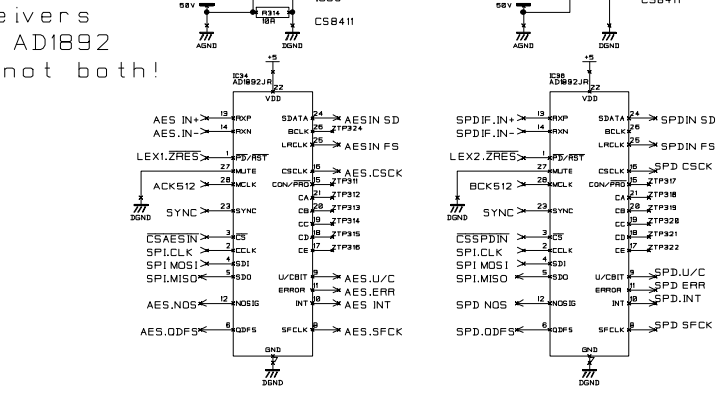
DRG NO. ED3809

INITIAL	ISSUE	DATE
YS	6:00	30/03/00

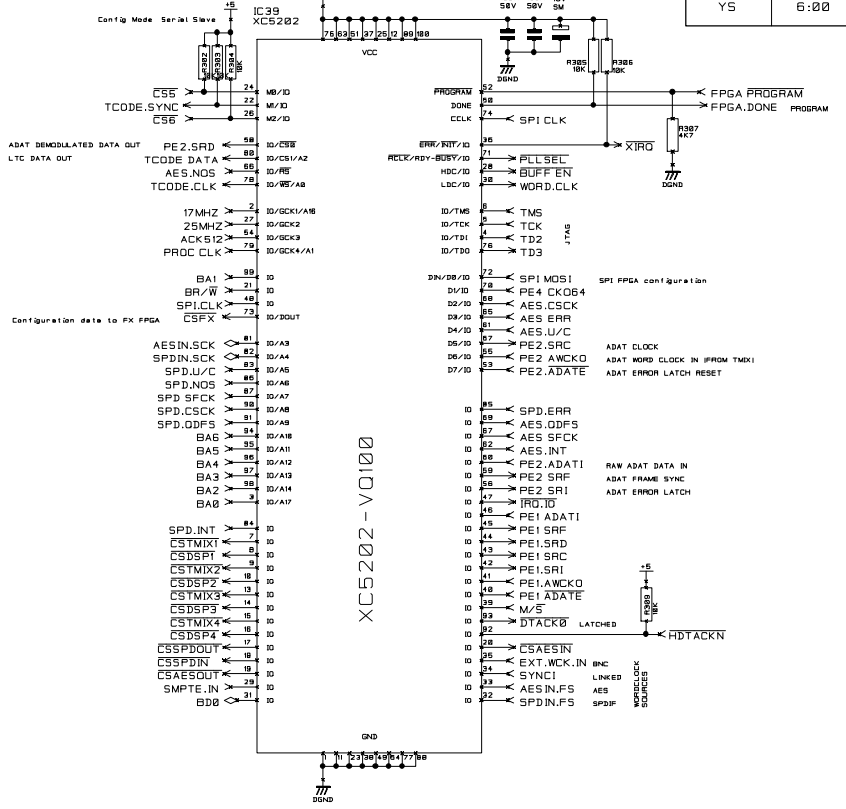
BOOT BLOCK
FLASH EPROM



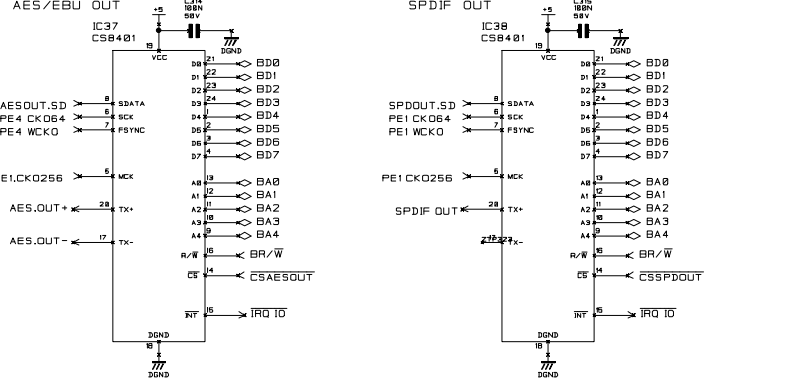
AES/SPDIF Receivers
Use CS8401 or AD1892
alternatively, not both!



SYSTEM FPGA



AES/SPDIF Transmitters



NOTES

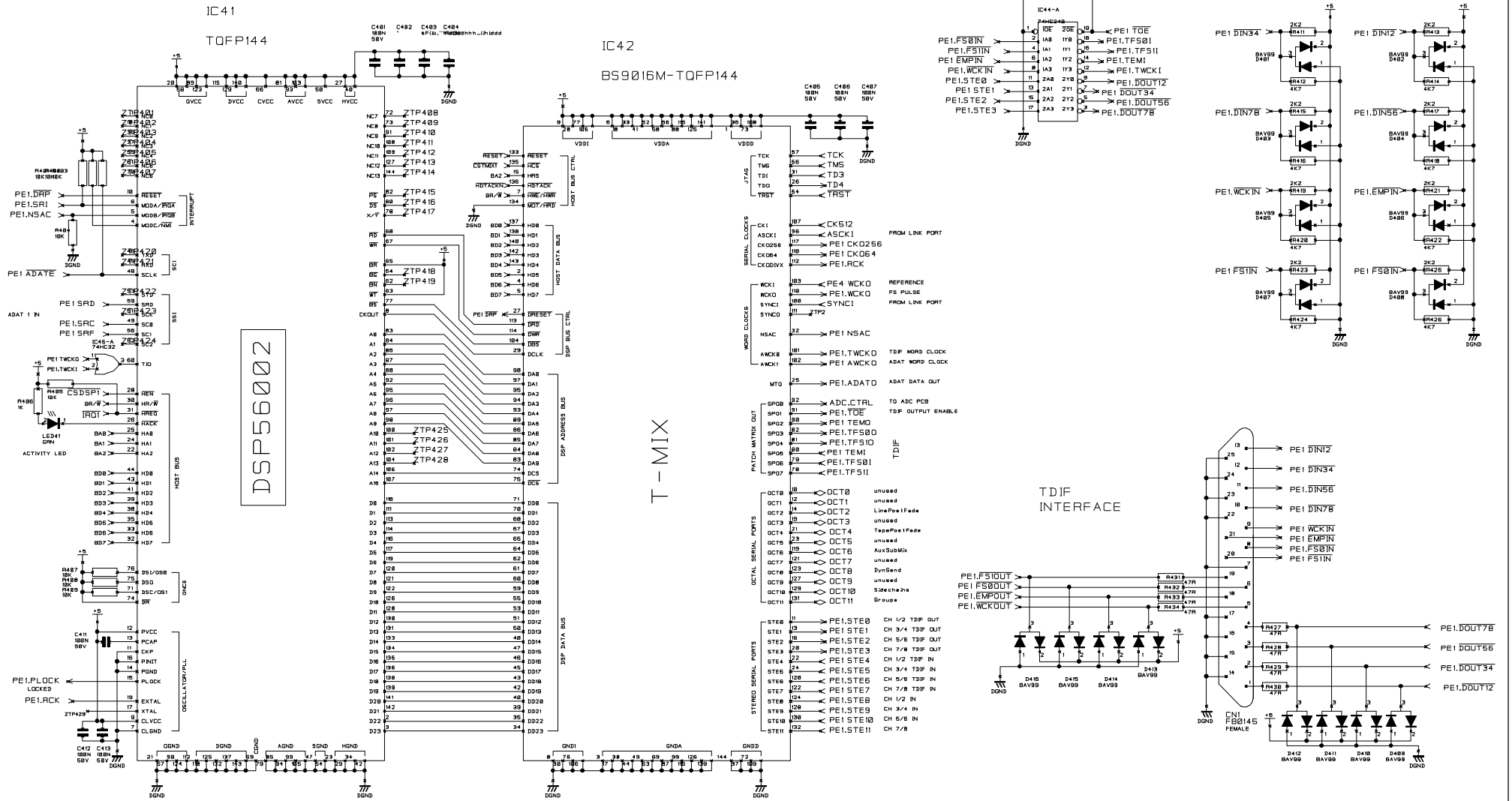
DRN.

AH. SH

TITLE
DIGITAL 328 PROCESSOR
FLASH & AES I/F

DRG NO. ED3809

INITIAL	ISSUE	DATE
YS	6:00	30/03/00



DSP56002

T-MIX

TDIF INTERFACE

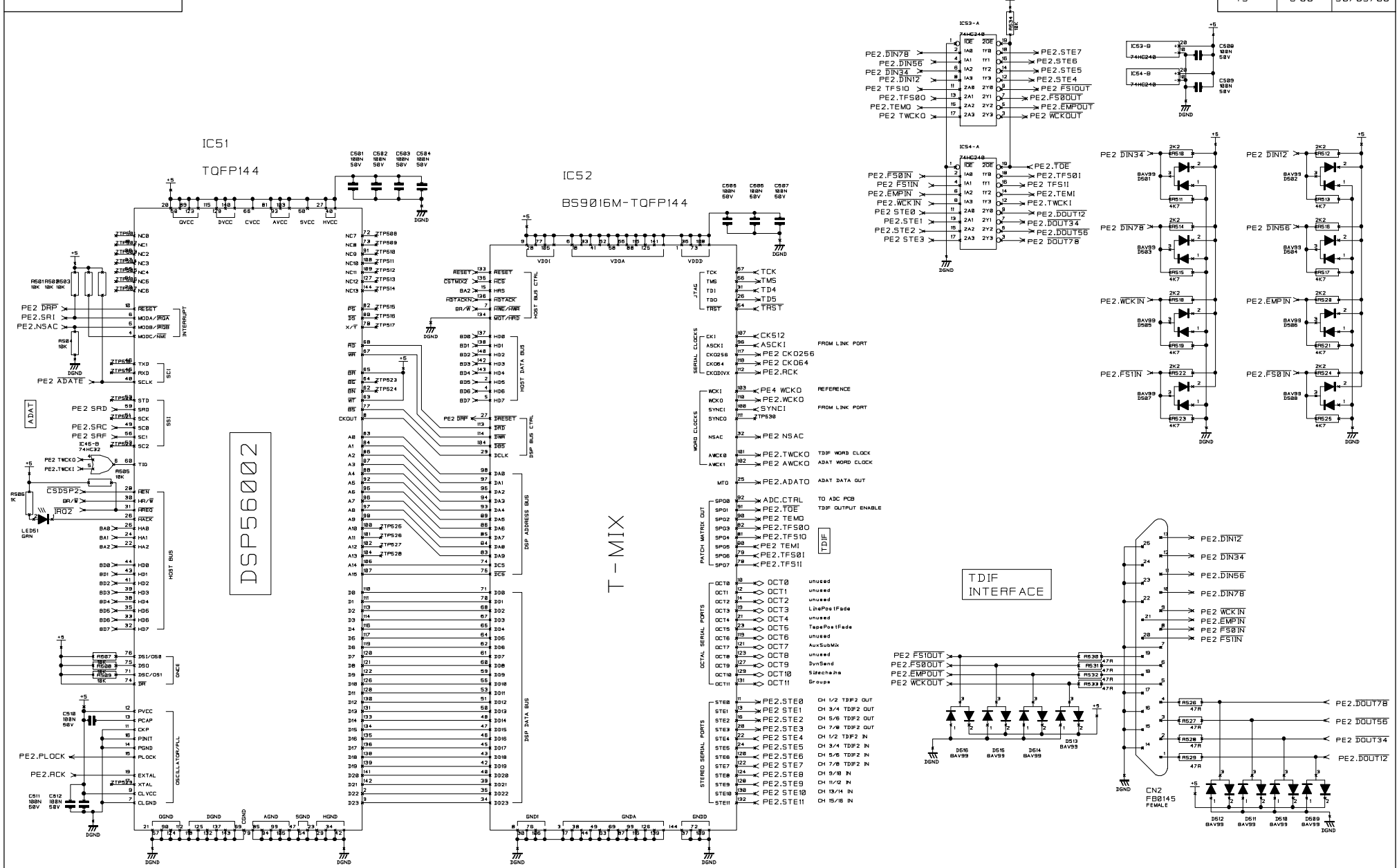
NOTES

DRN. AH. SH

TITLE
DIGITAL 32B PROCESSOR
PE1 (INPUTS 1-8)

DRG NO. ED3809

INITIAL	ISSUE	DATE
YS	6 00	30/03/00

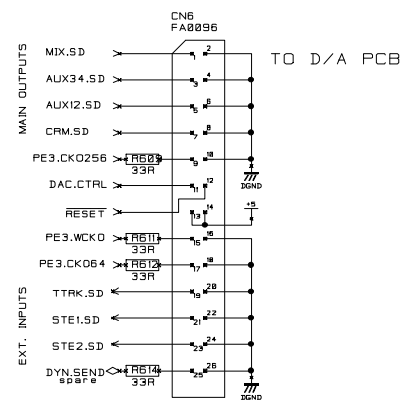
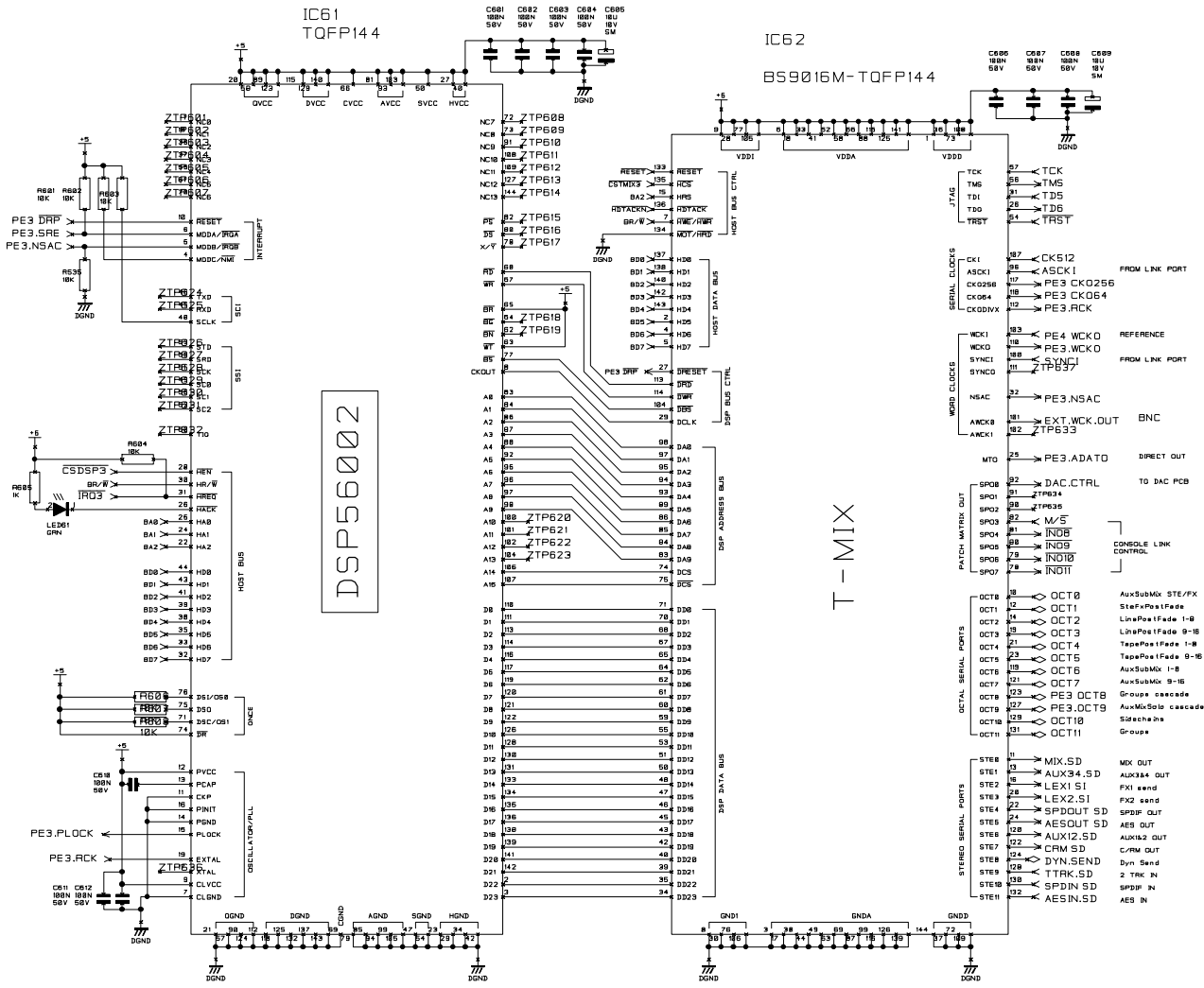


NOTES

DRN. AH. SH

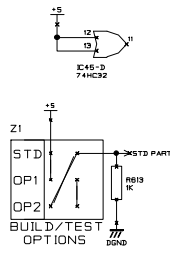
TITLE
DIGITAL 328 PROCESSOR
PE2 (INPUTS 9-16)

DRG NO. ED3809



DSP56002

T-MIX

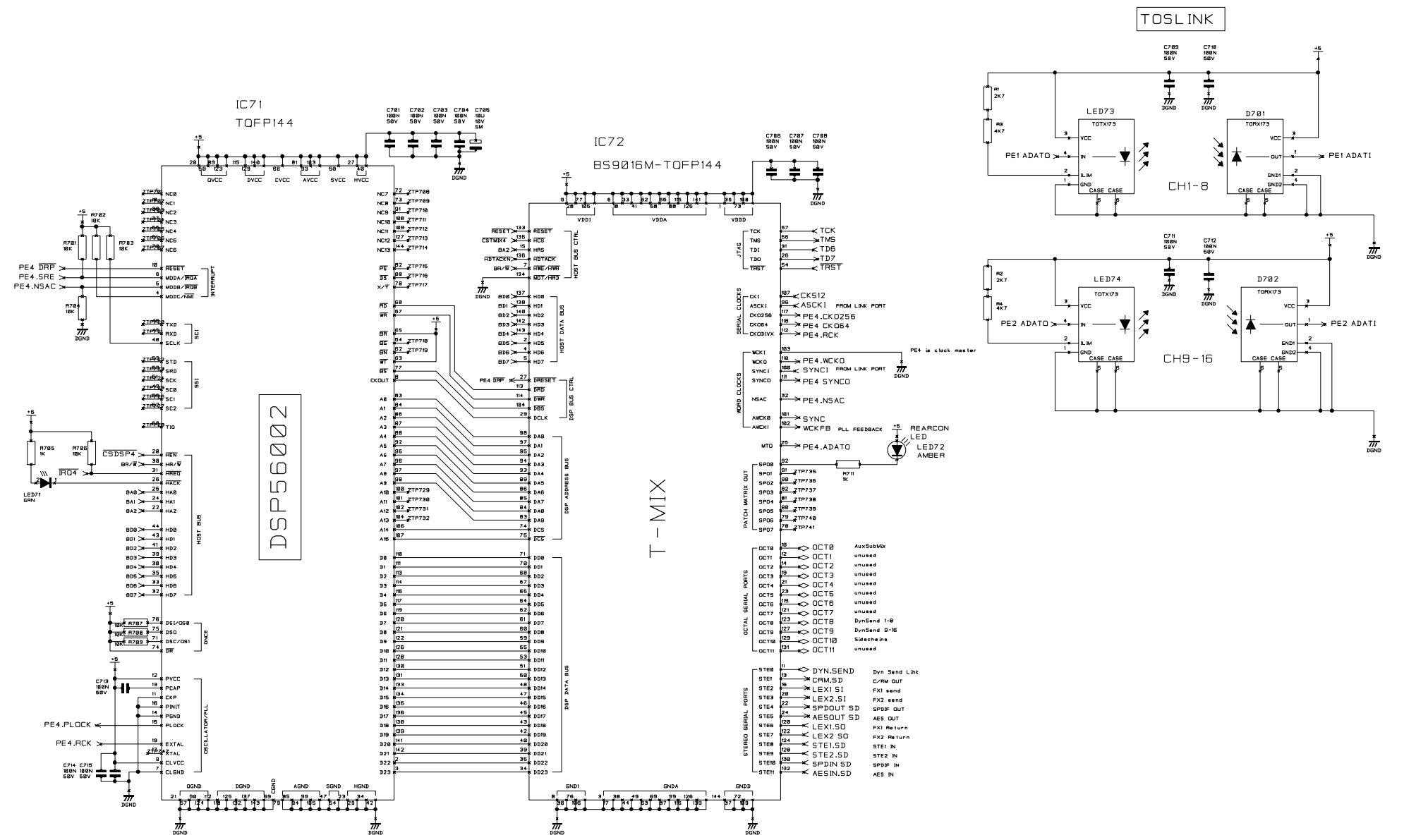


NOTES

DRN. AH. SH

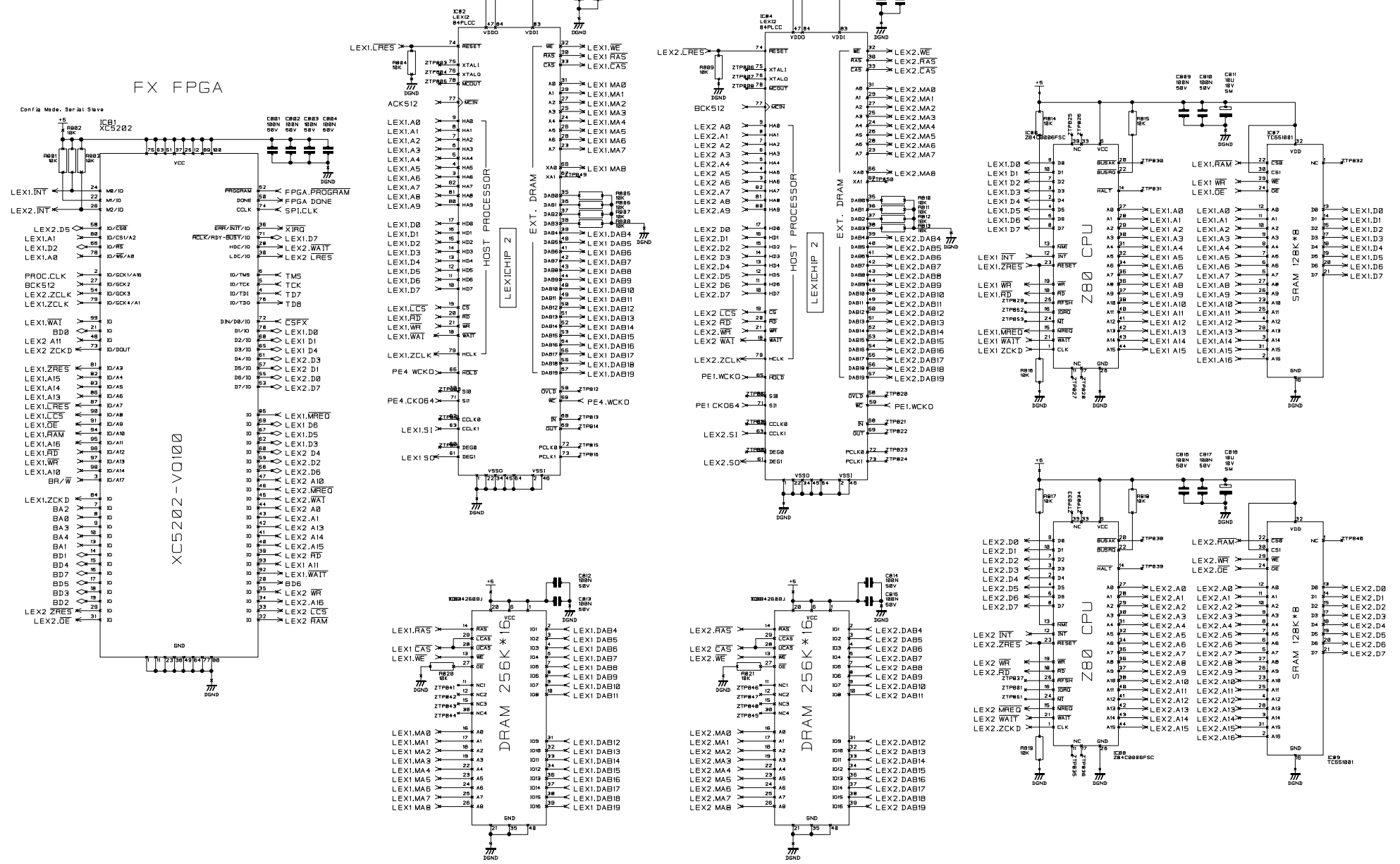
TITLE
DIGITAL 328 PROCESSOR
PE3 (MAIN MIX)

DRG NO. ED3809



NOTES	DRN.	AH. SH	TITLE
			DIGITAL 328 PROCESSOR PE4 (STE/FX/DYN)
			DRG NO. ED3809

INITIAL	ISSUE	DATE
YS	6-00	30/03/00



NOTES

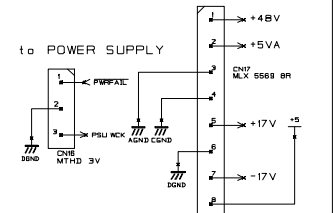
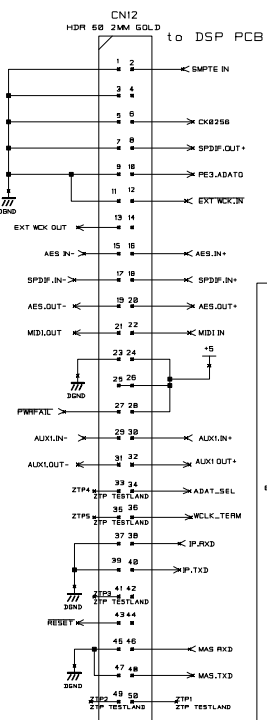
DRN.

AH. SH

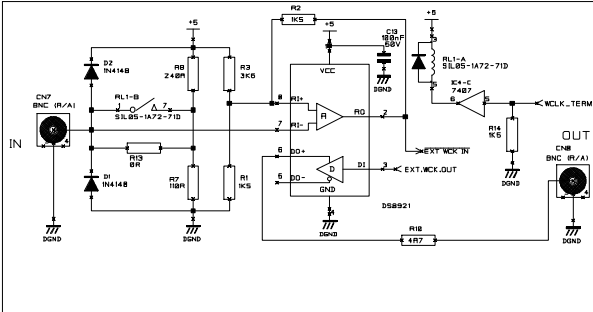
TITLE
DIGITAL 328 PROCESSOR
LEXICON EFFECTS

DRG NO. ED3809

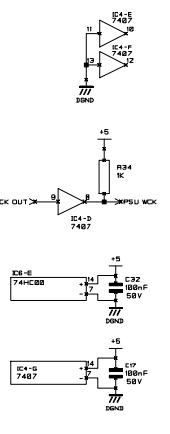
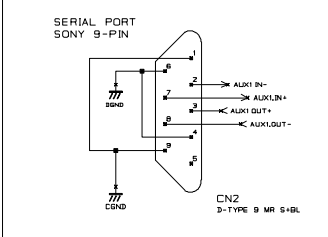
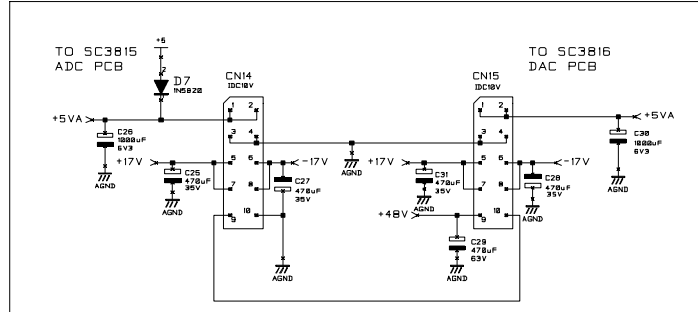
DRG NO.
3810



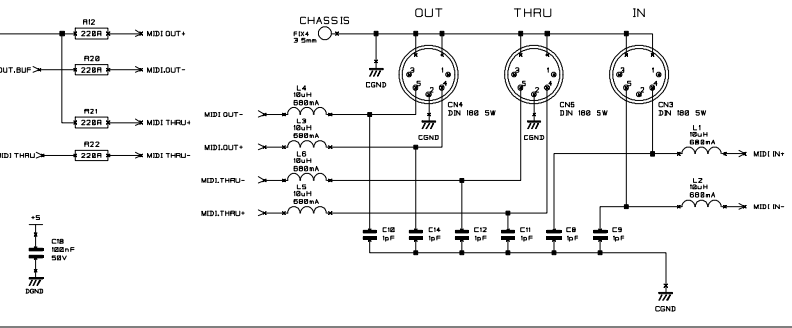
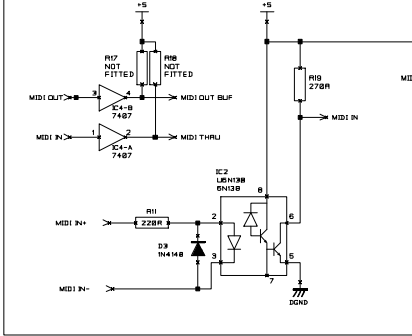
EXTERNAL WORD CLOCK



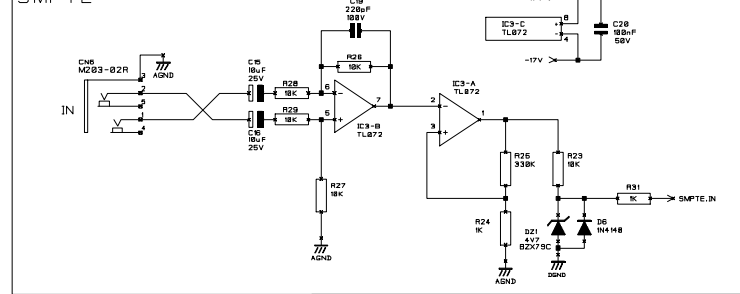
CONVERTER POWER



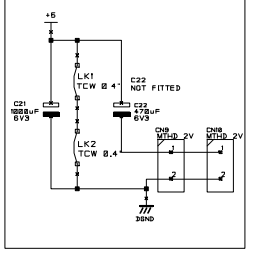
MIDI



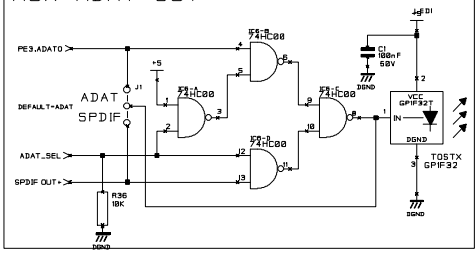
SMPT.E



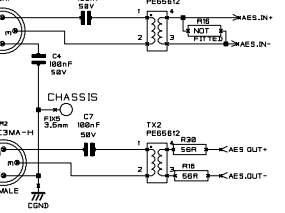
FAN POWER



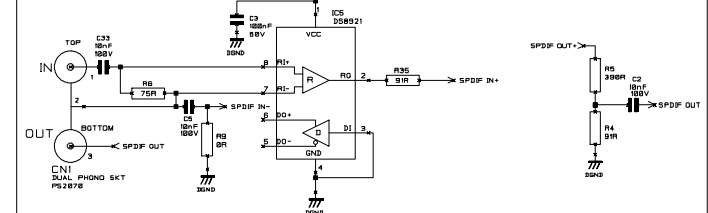
AUX ADAT OUT



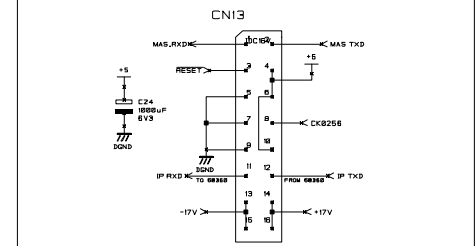
AES/EBU



SPDIF



CONTROL SURFACE



SOUNDCRAFT OWN THE COPYRIGHT OF THIS DRAWING WHICH IS NOT TO BE COPIED, REPRODUCED OR DISCLOSED, IN PART OR WHOLE TO A THIRD PARTY WITHOUT PRIOR WRITTEN PERMISSION

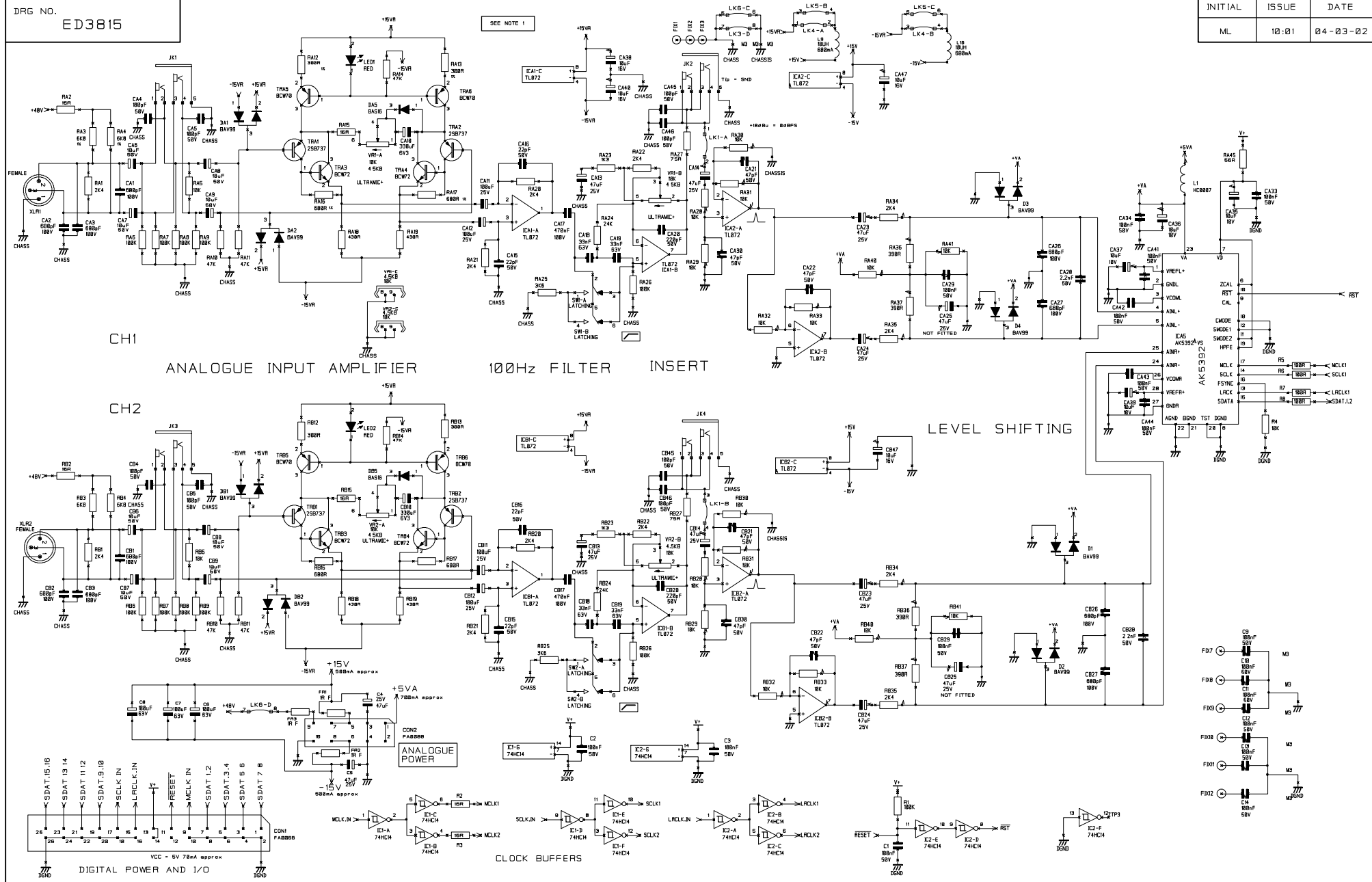
SOUNDCRAFT
HAFMAN INT. INDUSTRIES LTD.
CRANBORNE HOUSE,
CRANBORNE ROAD,
POTTERS BAR,
HERTS EN6 3JN
TEL: 01787 665000
FAX: 01787 660482

NOTES
Following components not fitted on 328xd (R13810) R13, J1
Following components not fitted on 324 (R13810B): R2, R3, R14, R23, R24, R25, R26, R27, R28, R29, R31, R36 C1, C15, C16, C19, C20, C32 D1, D2, D6, DZ1 IC3, IC6, RL1 CNE, CN7, LED1

DRN.	CN No.	INITIAL	DATE	ISSUE	TITLE
AH. YS		YS	16-02-01	10-A	328. 324 & 328xd POWER DISTRIBUTION & INTERFACE PCB
DATE					
MASTER IF RED					

DRG NO
3810-10A
SHT. 1 OF 1

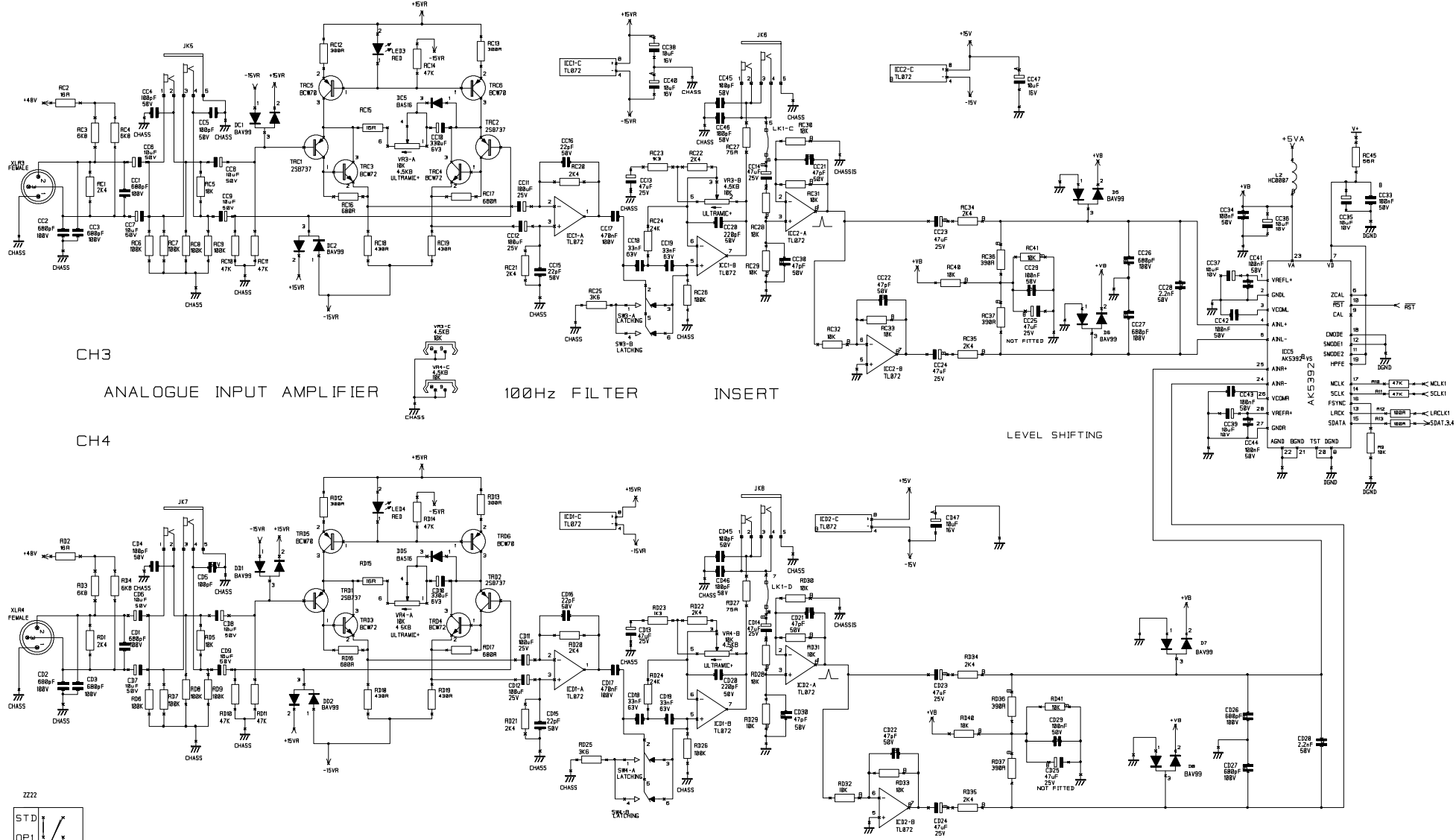
INITIAL	ISSUE	DATE
ML	10:01	04-03-02



- NOTES
- 1 USE BAV99 FOR DA5 ETC
 2. FILTER RESISTORS ARE 1X

DRN	AH	TITLE	Digital 32B INPUT/ADC PCB
		DRG NO.	ED3815

SEE NOTE 1



CH3

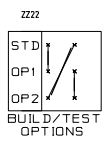
ANALOGUE INPUT AMPLIFIER

100Hz FILTER INSERT

INSERT

LEVEL SHIFTING

CH4

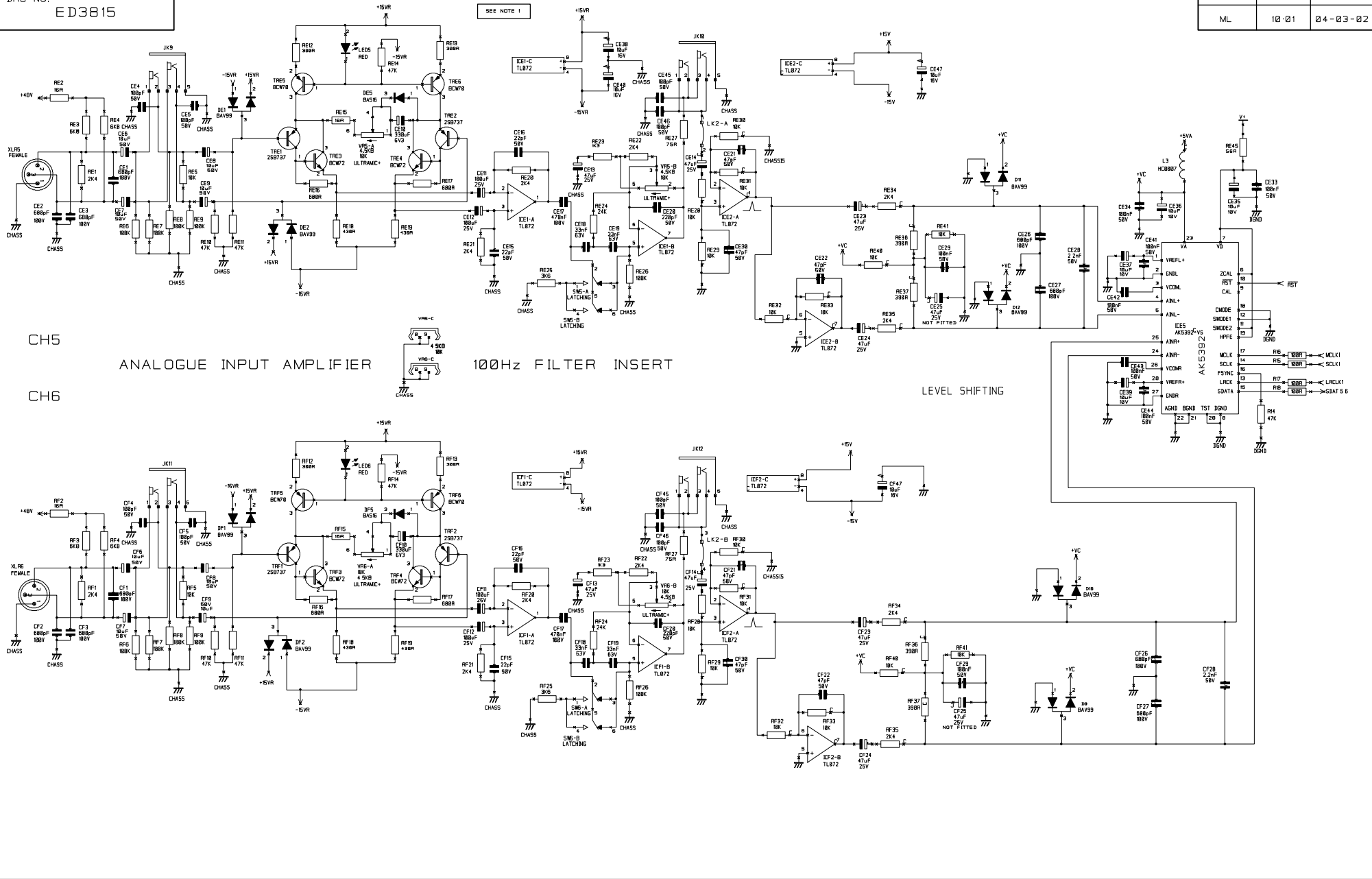


- NOTES
1. USE BAV99 FOR DA5 ETC.
 2. FILTER RESISTORS ARE 1%

DRN. AH

TITLE
Digital 32B
INPUT/ADC PCB

DRG NO.
ED3815



CH5

ANALOGUE INPUT AMPLIFIER

100Hz FILTER INSERT

LEVEL SHIFTING

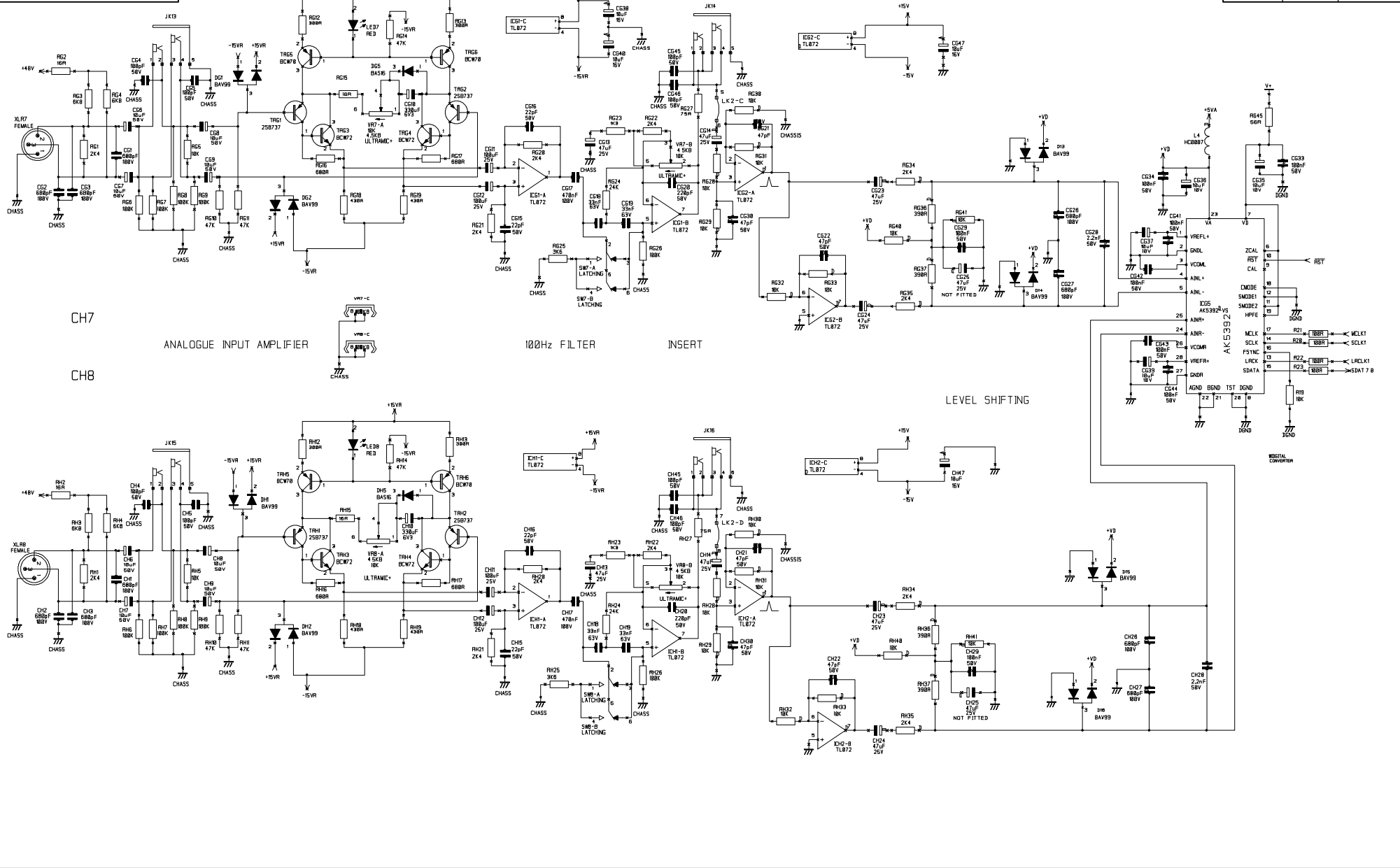
CH6

- NOTES
- 1 USE BAV99 FOR DA5 ETC
 2. FILTER RESISTORS ARE 1%

DRN. AH

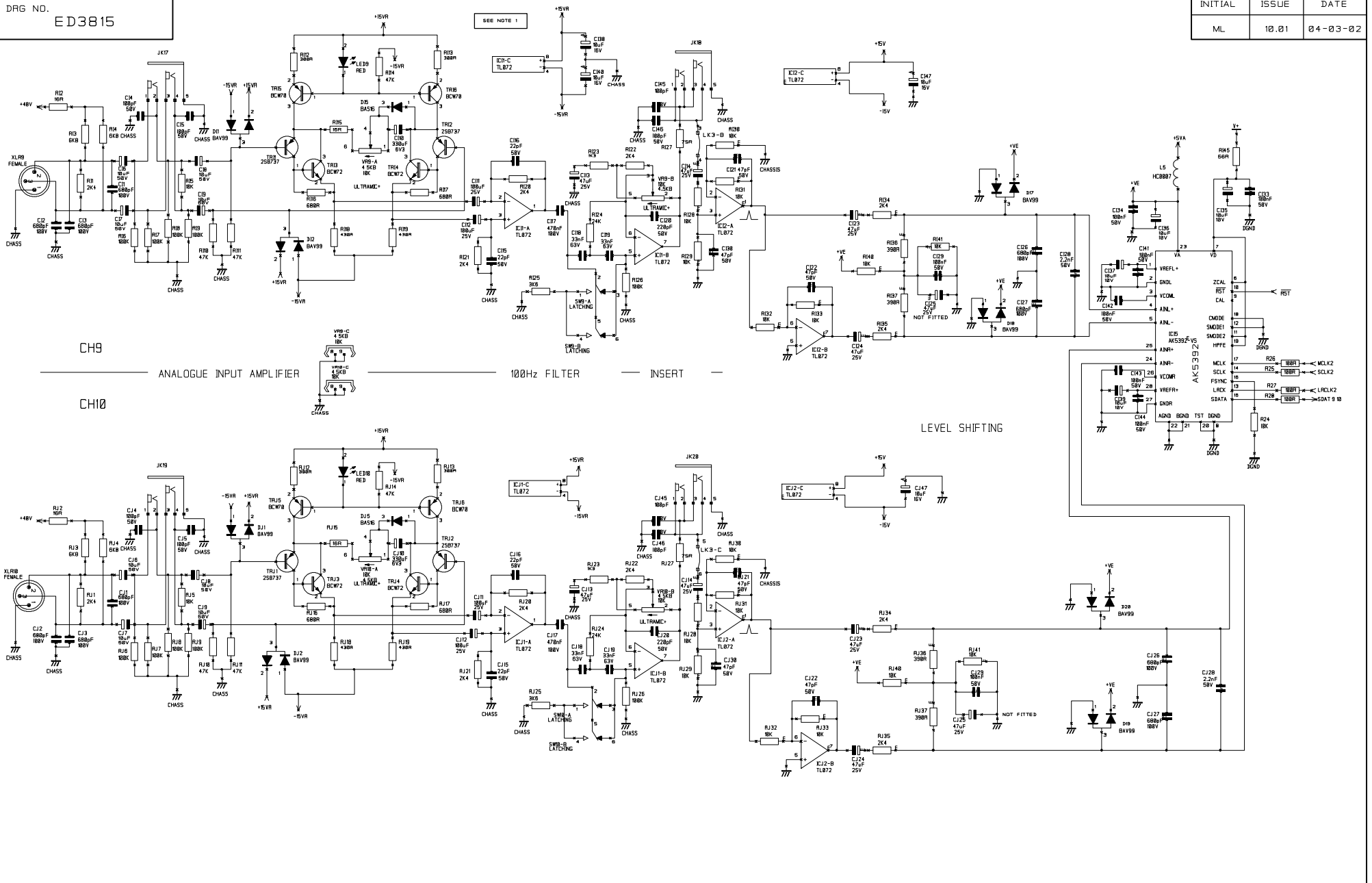
TITLE
Digital 328
INPUT/ADC PCB

DRG NO.
ED3815



- NOTES
- 1 USE BAV99 FOR DA5 ETC
 2. FILTER RESISTORS ARE 1%

INITIAL	ISSUE	DATE
ML	10.01	04-03-02



- NOTES
1. USE BAV99 FOR DA5 ETC.
 2. FILTER RESISTORS ARE 1%.

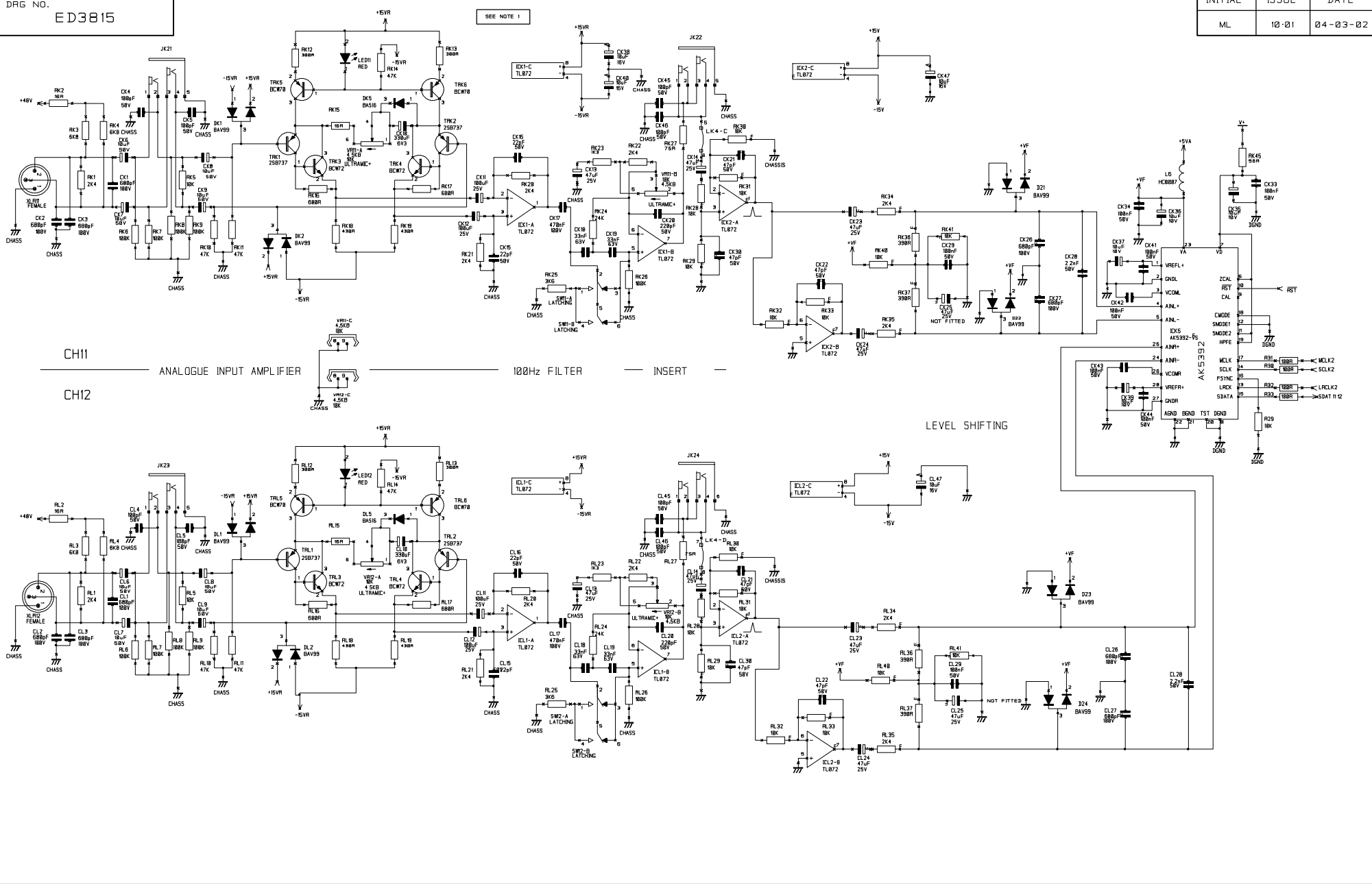
DRN. AH

TITLE
Digital 328
INPUT/ADC PCB

DRG NO. ED3815

DRG NO. ED3815

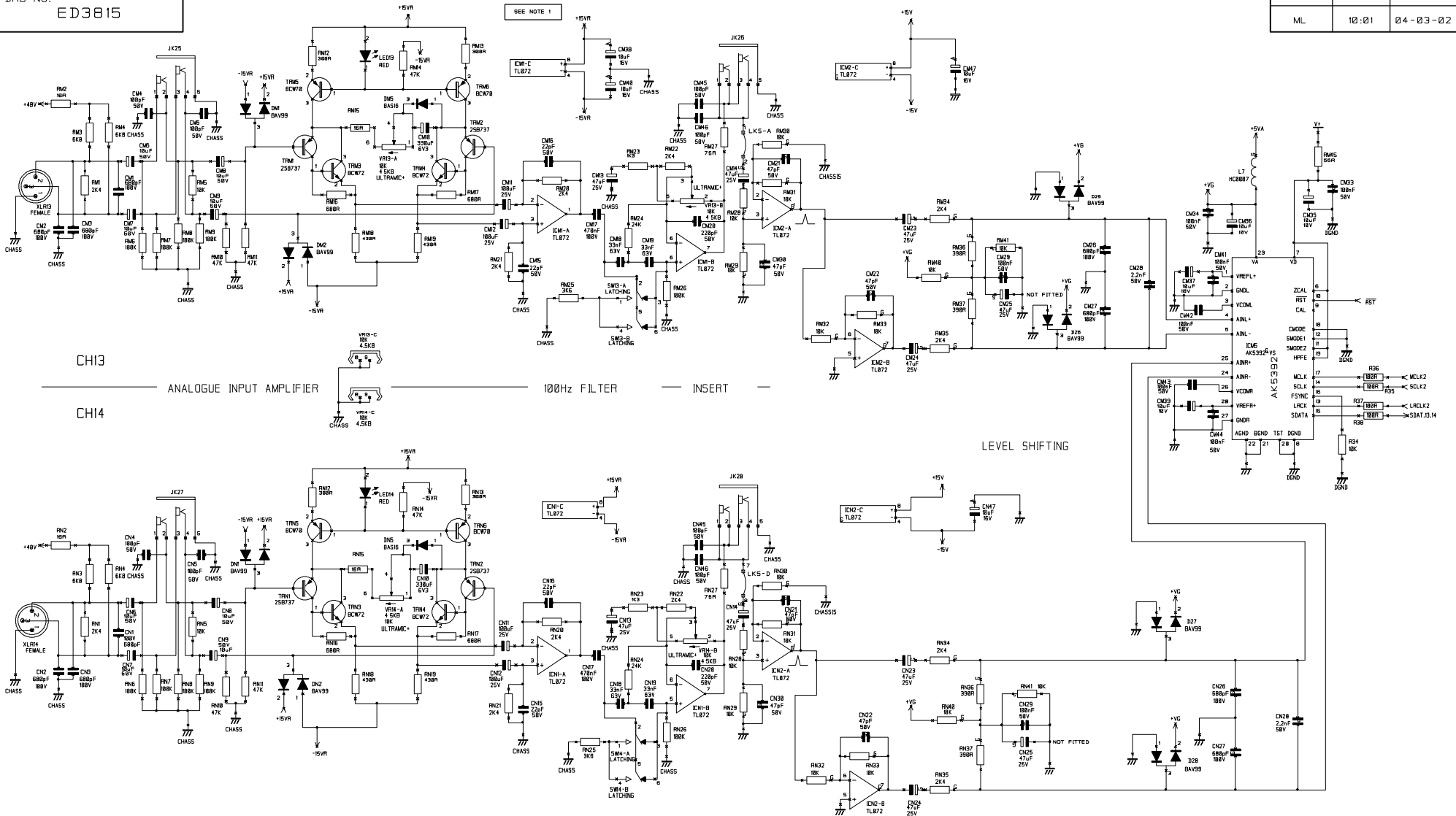
INITIAL	ISSUE	DATE
ML	10-01	04-03-02



- NOTES
- 1 USE BAV99 FOR DA5 ETC
 2. FILTER RESISTORS ARE 1%

DRN	AH	TITLE	Digital 328 INPUT/ADC PCB
		DRG NO.	ED3815

INITIAL	ISSUE	DATE
ML	10:01	04-03-02



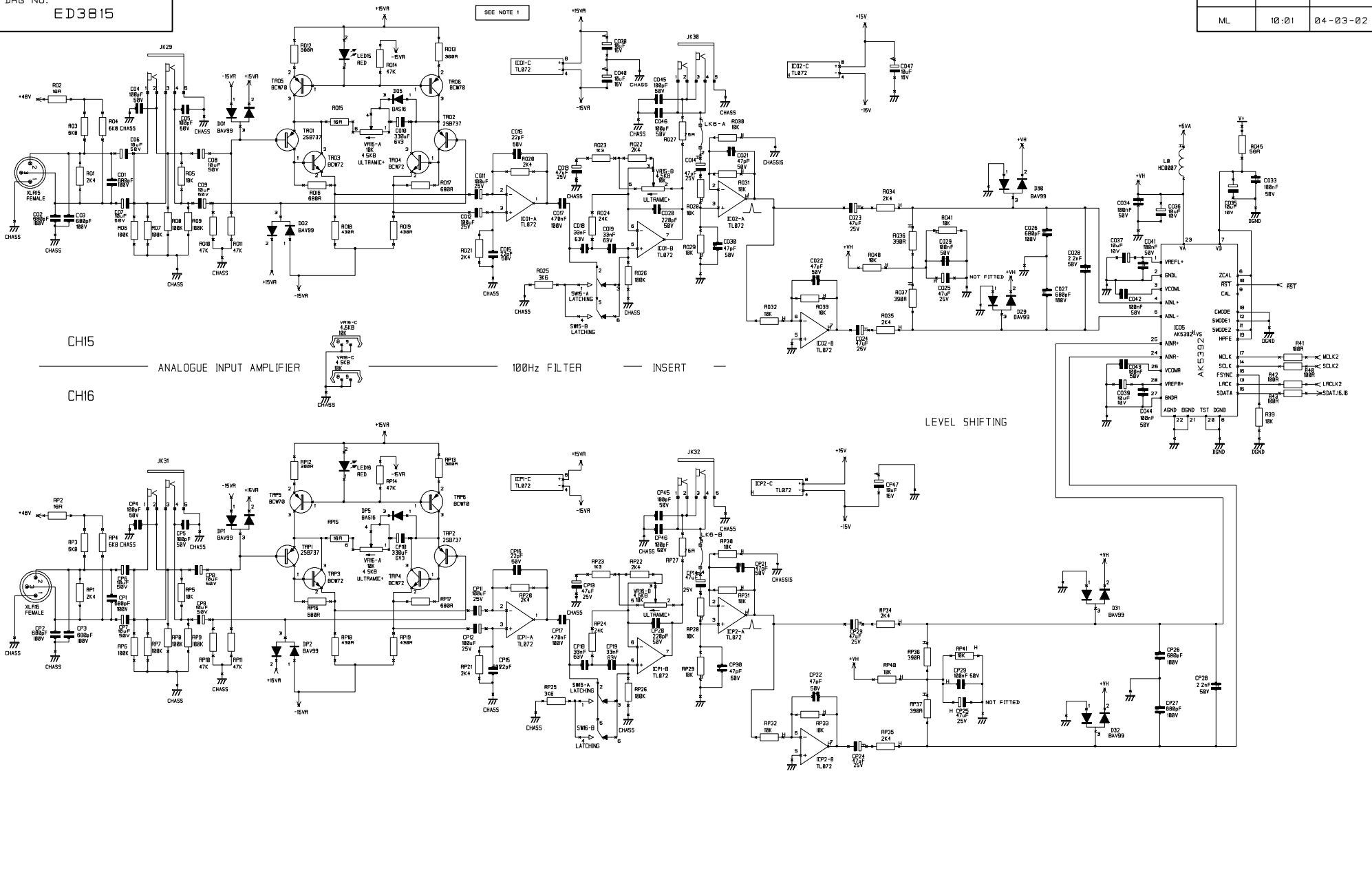
- NOTES
- 1 USE BAV99 FOR DA5 ETC
 2. FILTER RESISTORS ARE 1X

DRN AH

TITLE
Digital 32B
INPUT/ADC PCB

DRG NO.
ED3815

INITIAL	ISSUE	DATE
ML	10:01	04-03-02

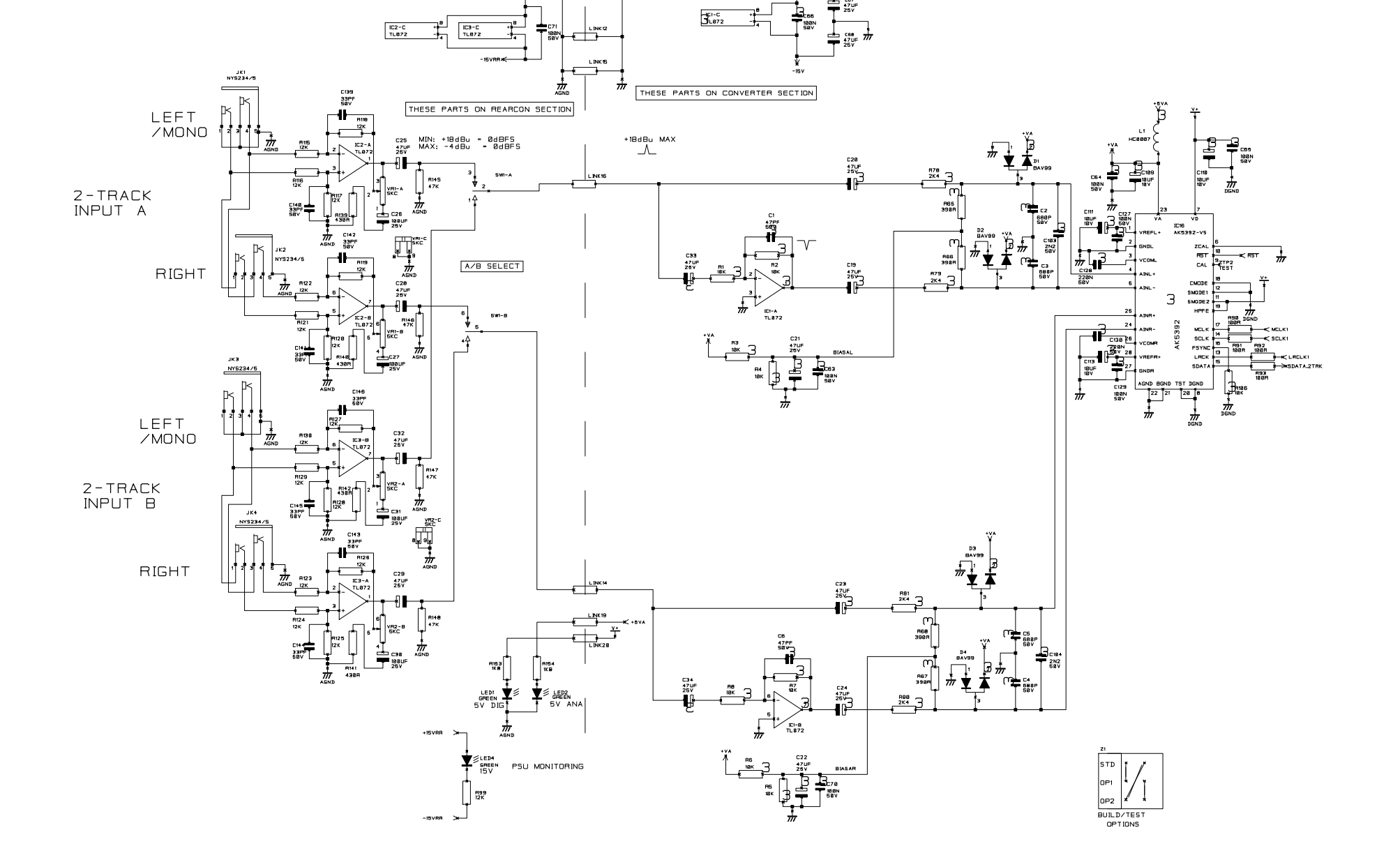


- NOTES
- 1 USE BAV99 FOR DA5 ETC
 2. FILTER RESISTORS ARE 1X

DRN AH MG

TITLE
Digital 32B
INPUT/ADC PCB

DRG NO.
ED3815

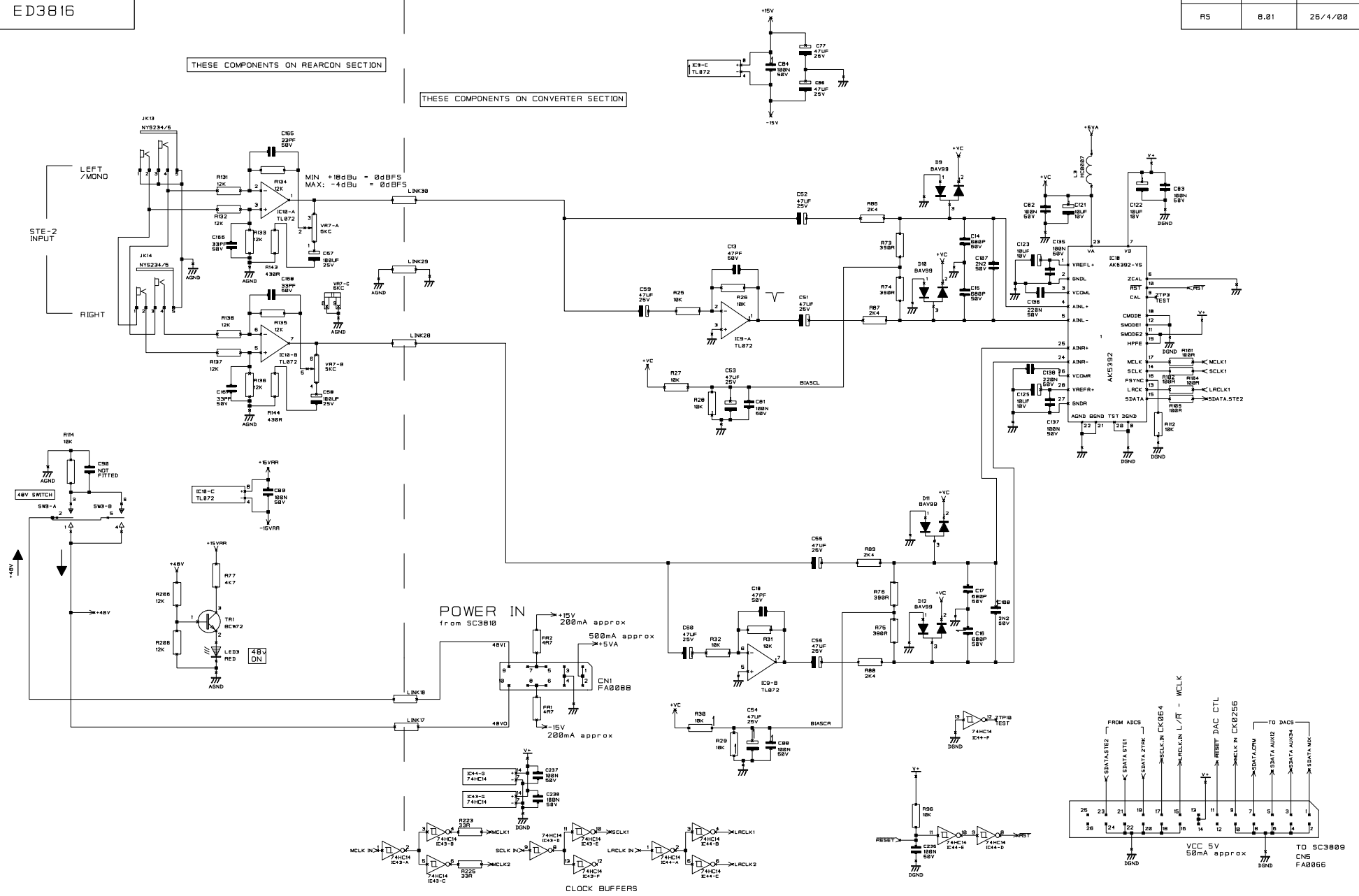


NOTES

DRN AH

TITLE Digital 328 DAC/Output PCB

DRG NO. ED3816



NOTES
1. R94.95 etc. are 0R for AK5392

DRN AH

TITLE Digital 328 DAC/Output PCB

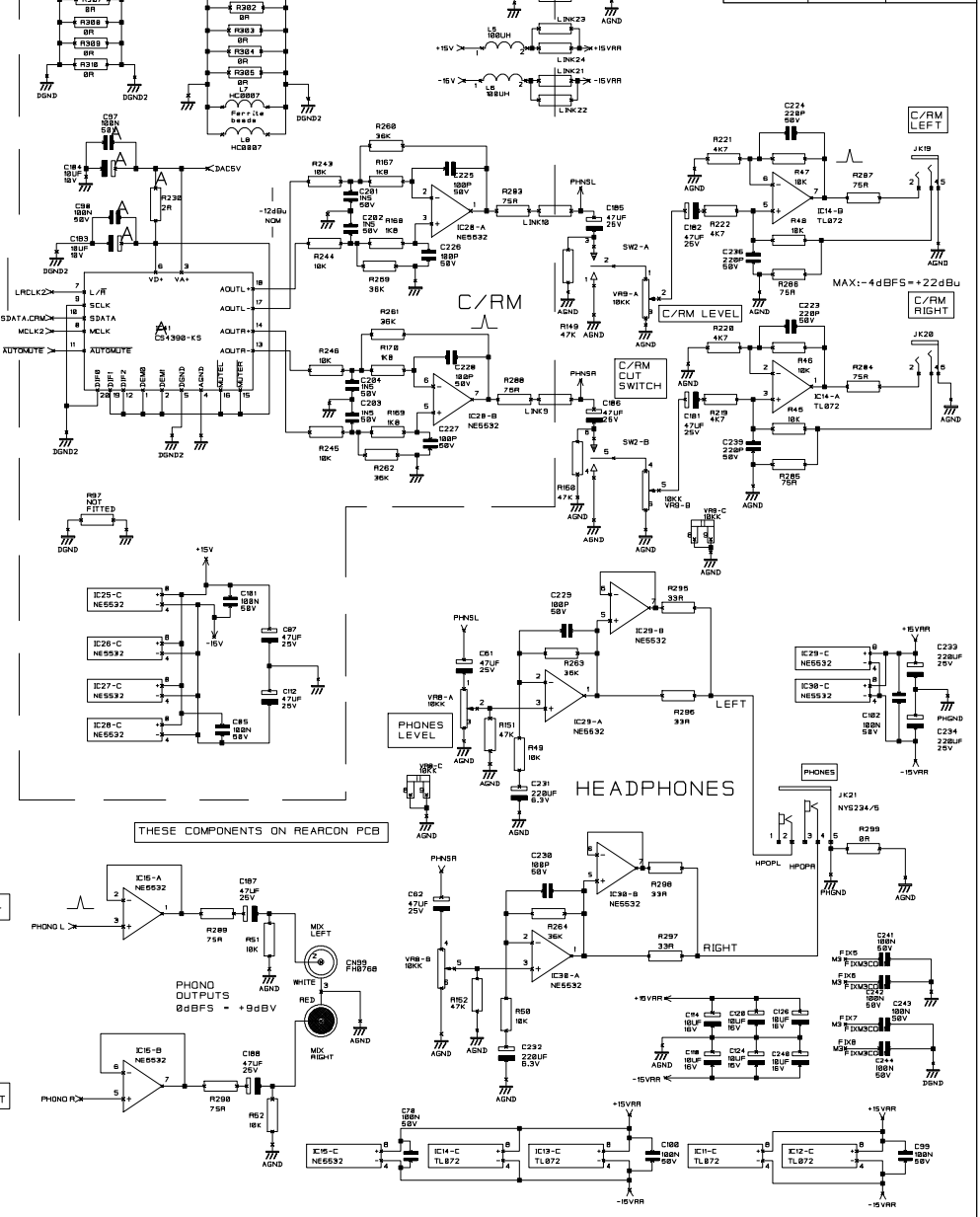
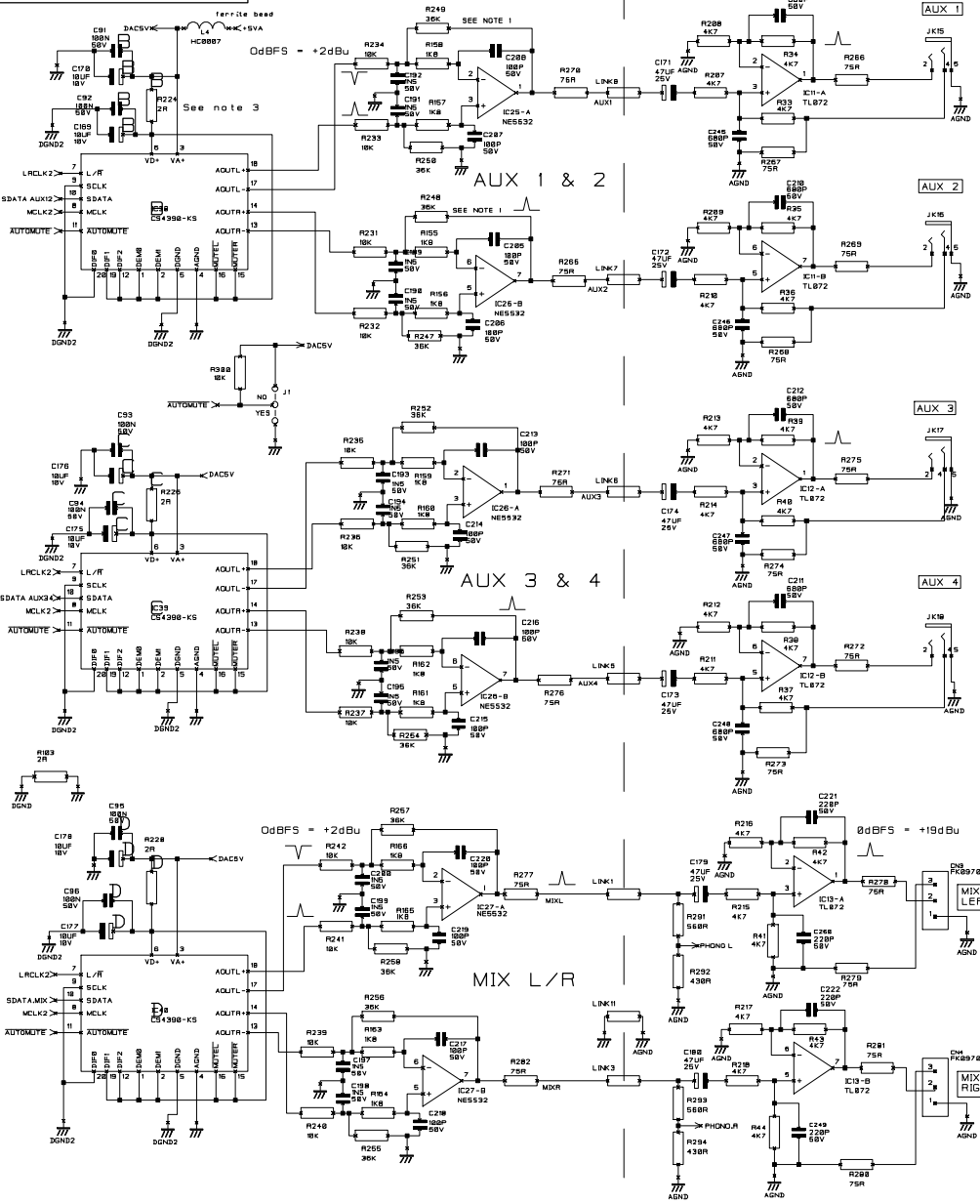
DRG NO. ED3816

THESE COMPONENTS ON CONVERTER PCB

THESE COMPONENTS ON REARCON PCB

THESE COMPONENTS ON CONVERTER PCB

INITIAL	ISSUE	DATE
RS	6:01	26/4/00

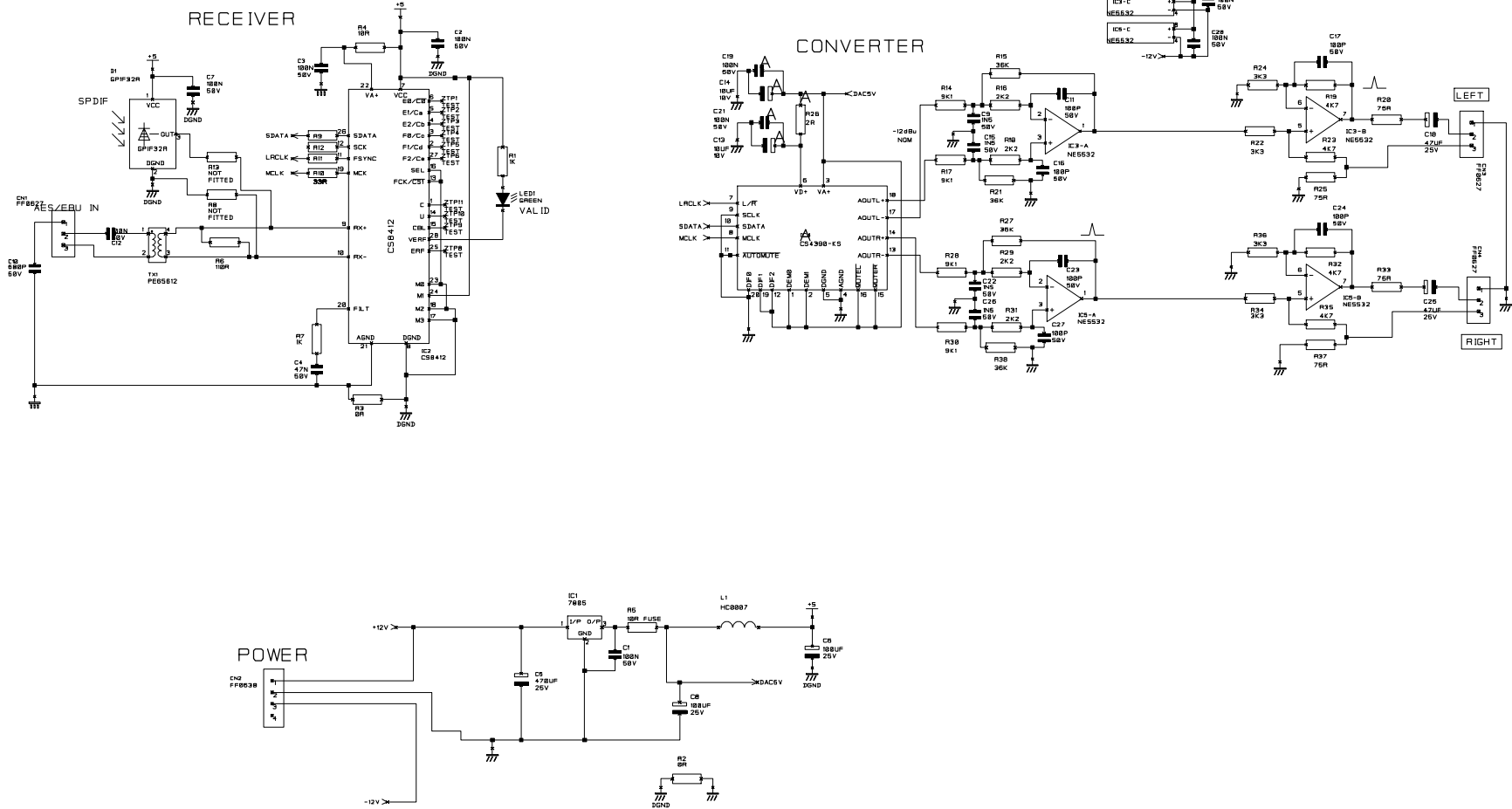


- NOTES
1. All output filter resistors are 1%
 2. Links form part of LC0223 6 way flexstrip
 3. For CS4329 use 10R between VA & VD

DRN. AH

TITLE Digital 328 DAC/Output PCB

DRG NO. ED3816



NOTES

DRN AH

TITLE

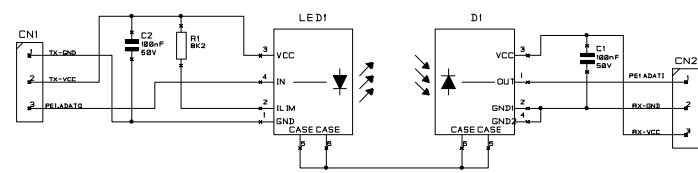
Spirit DAC

DRG NO.

ED3959A

DRG NO.
ED 4011

INITIAL	ISSUE	DATE
PMD	2:00	10-08-98



SOUNDCRAFT OWNS THE COPYRIGHT OF THIS DRAWING WHICH IS NOT TO BE COPIED, IN PART OR IN WHOLE, TO A THIRD PARTY WITHOUT WRITTEN PERMISSION.

NOTES
CN1 AND CN2 ARE NOT FITTED ON PCB

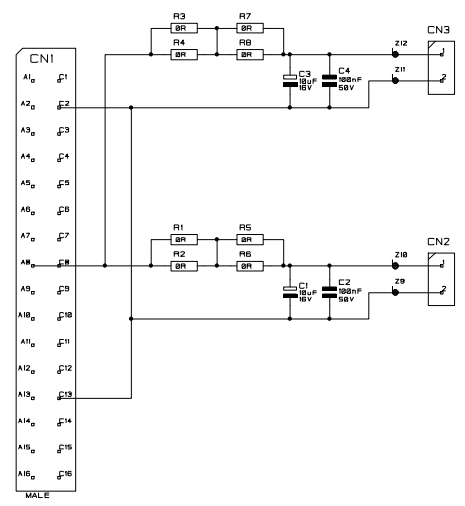
DRN.
PMD
10-08-98

SOUNDCRAFT
HARMAN INT. INDUSTRIES LTD.
CRANBORNE HOUSE,
CRANBORNE ROAD,
POTTERS BAR,
HERTS ENG 3JN
TEL: 01707 665000
FAX: 01707 660482

TITLE
DIGITAL 328
TOSLINK OPTION PCB
DRG NO.
ED 4011

DRG NO. ED 4015

INITIAL	ISSUE	DATE
PMD	1-00	21-09-98



SOUNDCRAFT OWNS THE COPYRIGHT OF THIS DRAWING WHICH IS NOT TO BE COPIED, IN PART OR IN WHOLE, TO A THIRD PARTY WITHOUT WRITTEN PERMISSION.

NOTES

DRN.	PMD
	21-09-98

SOUNDCRAFT
HARMAN INT. INDUSTRIES LTD.
CRANBORNE HOUSE,
POTTERS BAR,
HERTS ENG 3JN
TEL: 01707 665000
FAX: 01707 660482

TITLE
DIGITAL 328
PROCESSOR FAN BOARD

DRG NO.
ED 4015