

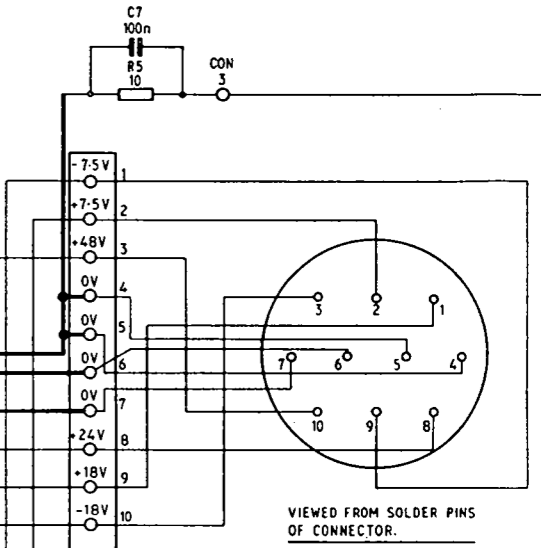
NOTE R14/10 REPLACES R4, R15 8.2 THIS CAN ONLY APPLY TO ISSUE 4 PCB'S. OR THOSE USING BD135 IN TR2 POSITION

R21, R28 SUGGEST CHANGE ON LATER MODELS TO 68K

TR21, 22 NOT FITTED BEFORE ISS 4 PCB. MAINS GROUND CONNECTED TO CONSOLE BEFORE ISSUE 4 PCB.

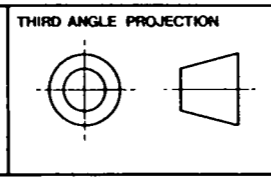
NB Mains ground may be brought up to console by placing a link across R5

- TRANSISTORS**
 TR 1,6,10,11,14,16,17 & 23= 2SA970 GR
 TR 3,4,8,9,12,13,15 & 18= 2SC2240 BL
 TR 2,5= BD135
 TR 7= BD136
 TR 19, 21= TIP 2955
 TR 20, 22= TIP 3055
- REGULATORS**
 REG 1= LM338K REG 3= LM317T
 REG 4= LM337T
- RECTIFIERS**
 REC 1= RS262-315
 REC 2 & 4= KBLO2
 REC 3= KBP02
- DIODES**
 ALL DIODES = IN4148



PSU CABLE CONNECTIONS		
PIN	VOLTAGE	COLOUR
1	+18V	BROWN
2	+7.5V	PINK
3	-18V	BLUE
4	0V	GREEN/YELLOW
5	0V	YELLOW
6	0V (FOR 48V)	GREEN
7	0V (FOR 24V)	WHITE
8	+24V	VIOLET
9	-7.5V	BLACK
10	+48V	ORANGE

Issue 1	12 - 11 - 81
Issue 2	19 - 1 - 82
Issue 3	3 - 3 - 82
Issue 4	9 - 7 - 82
Issue 5	16 - 11 - 83
Issue 6	10 - 9 - 84



NOTES
 All resistors in ohms.
 All capacitors in microfarads, unless otherwise stated.
 R33, 34, 35, 36 all 2.5W wirewound.
 FOR PART No. GD0336

TOLERANCE
 All imperial dimensions ± 0.01
 All metric dimensions $\pm 0.25\text{mm}$
 All angles $\pm 0.5^\circ$
 Unless otherwise stated

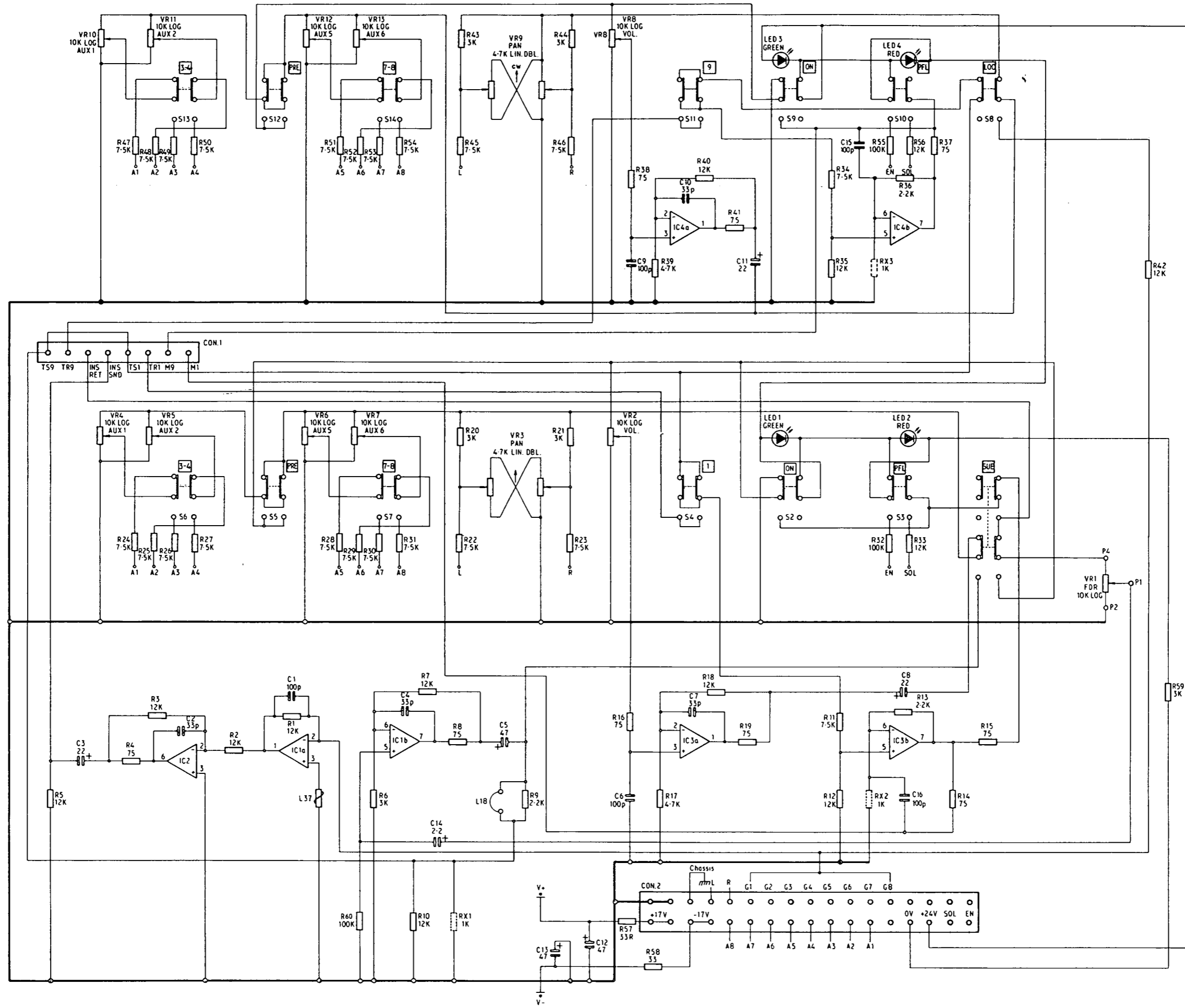
HOLE INDEX

MATL —
FINISH —
SCALE —

DRM MARK
 TRCD
 CHKD

SOUNDCRAFT ELECTRONICS LTD
 5-8 GREAT SUTTON STREET
 LONDON EC1V 0BX.
 TELEPHONE. 01-251-3631/2/3
 TELEGRAMS SOUNDCRAFT LDN EC1
 TELEX. UK. No. 21198. USA. No. 224408

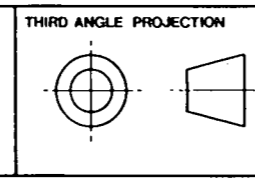
TITLE
 POWER SUPPLY
 CIRCUIT DIAGRAM
 (SC1218 Iss.4)
DRG. No. ED 2093



INTEGRATED CIRCUITS
 IC 1 = NE5532
 IC 2 = TL071
 IC 3,4 = TL072

NOTE
 TASCAM LEVEL OPERATION
 (-10dBv LEVEL IN OPERATION)
 ① Cut L18
 ② Fit RX1, RX2, RX3 = 1K

Issue 1	12 - 3 - 82
Issue 2	5 - 10 - 82
Issue 3	C14 & R59 added. 30 - 3 - 83
Issue 4	C15 & C16 added
ISSUE 5	15 - 11 - 84
R60 WAS R59	
12	2 - 86



NOTES
 All resistors in ohms.
 Capacitors in micro farads
 Unless otherwise stated.
 PART No RA0237.

TOLERANCE
 All imperial dimensions ± 0.01
 All metric dimensions ± 0.25mm
 All angles ± 0.50°
 Unless otherwise stated

HOLE INDEX

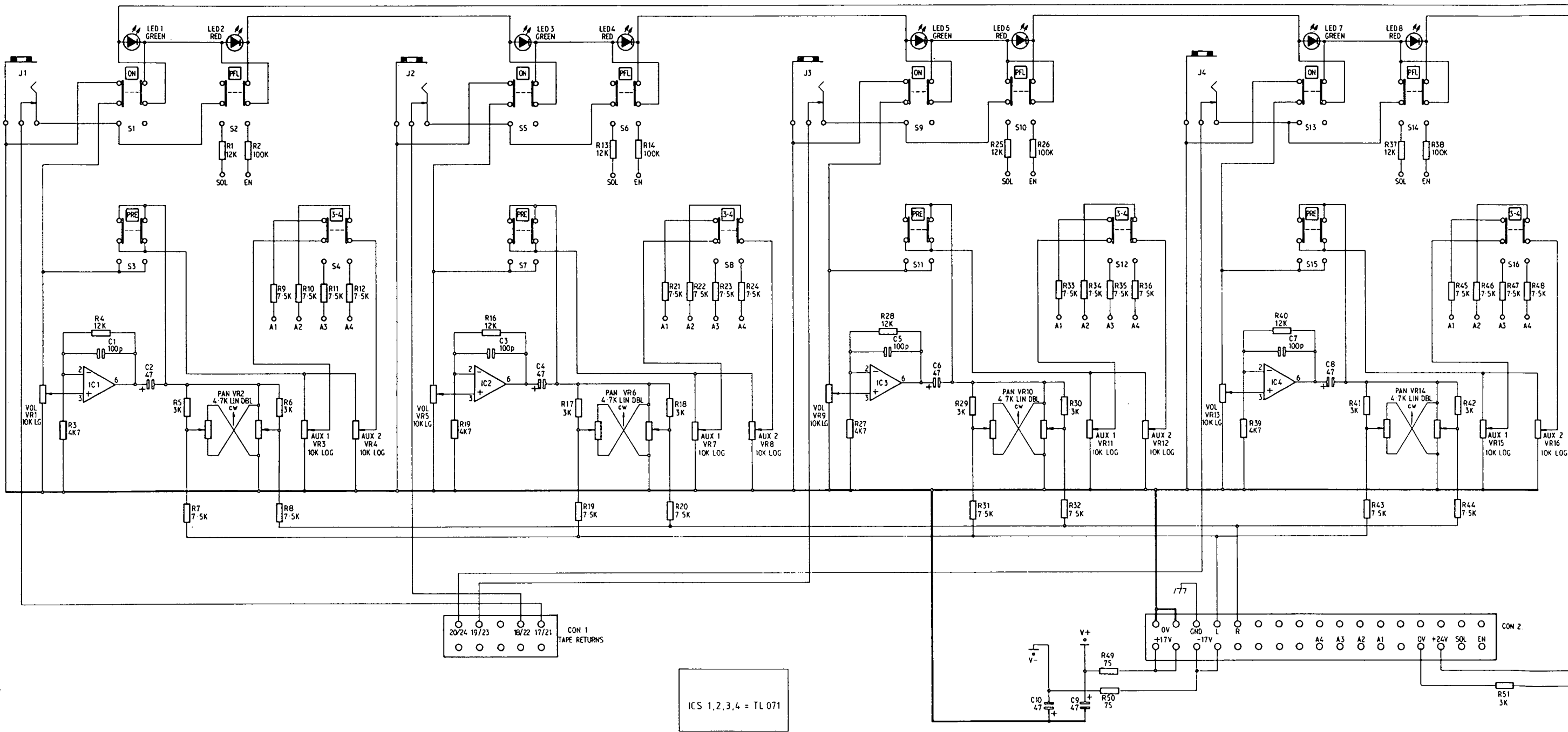
MATL —
 FINISH —
 SCALE —

DRN Mark
 TRCD
 CHKD

SOUNDCRAFT ELECTRONICS LTD
 5-8 GREAT SUTTON STREET
 LONDON EC1V 0BX.
 TELEPHONE. 01-251-3631/2/3
 TELEGRAMS. SOUNDCRAFT LON EC1
 TELEX. UK No. 21198. USA No. 224408

TITLE 8012
 RECORDING OUTPUT MODL
 (CIRCUIT DIAGRAM
 (FOR SC1235)
 DRG No. ED 2100

Issue 1	3 - 8 - 82
Issue 2	30 - 9 - 82
Issue 3	9 - 8 - 86



ICS 1,2,3,4 = TL 071

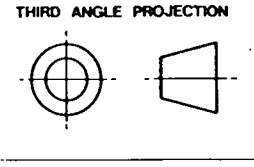
Soundcraft Electronics Limited own the copyright of this drawing which is not to be copied, reproduced or disclosed, in part or whole, to a third party without written permission.

NOTES.
Resistors in ohms
Capacitors in micro farads
Unless otherwise stated
For Part no GA 0301

HOLE INDEX.

--	--

TOLERANCE.
All imperial dimensions ± 0.010
All metric dimensions $\pm 0.25\text{mm}$
All angles $\pm 0.50^\circ$
Unless otherwise stated.



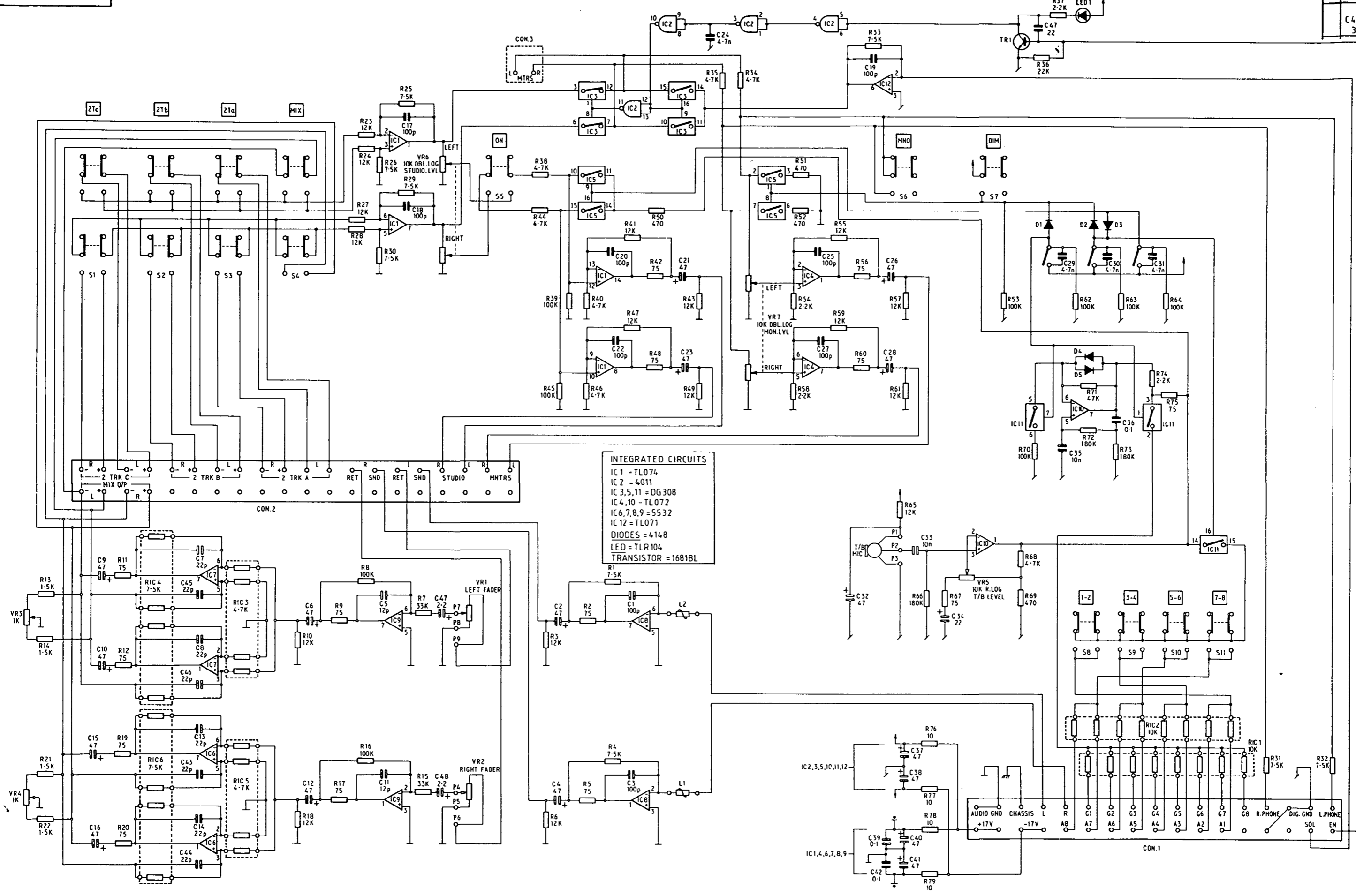
MATL.	—
FINISH.	—
SCALE.	—

DRG. Barry
TRCD.
CHKD.

SOUNDCRAFT ELECTRONICS LTD.
5-8 GREAT SUTTON STREET
LONDON. EC4V 0BX.
TELEPHONE. 01-251-3631/2/3
TELEGRAMS. SOUNDCRAFT LDM. EC1
TELEX. UK No. 21198. USA No. 01-2203

TITLE. 8018
24 TRK MON/FX RET
MODULE
(FOR SC 1298)

DRG No. ED2109



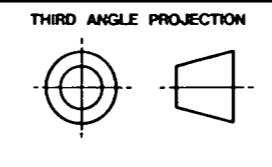
INTEGRATED CIRCUITS
 IC 1 = TL074
 IC 2 = 4011
 IC 3,5,11 = DG308
 IC 4,10 = TL072
 IC 6,7,8,9 = 5532
 IC 12 = TL071
 DIODES = 4148
 LED = TLR104
 TRANSISTOR = 1681BL

Soundcraft Electronics Limited
 own the copyright of this drawing
 which is not to be copied, reproduced
 or disclosed, in part or whole, to a
 third party without written permission.

NOTES.
 Capacitors in microfarads.
 Resistors in ohms
 Unless otherwise stated.
 PART No. RA0260

HOLE INDEX.

TOLERANCE.
 All imperial dimensions ± 0.010
 All metric dimensions $\pm 0.25mm$
 All angles $\pm 0.50^\circ$
 Unless otherwise stated.

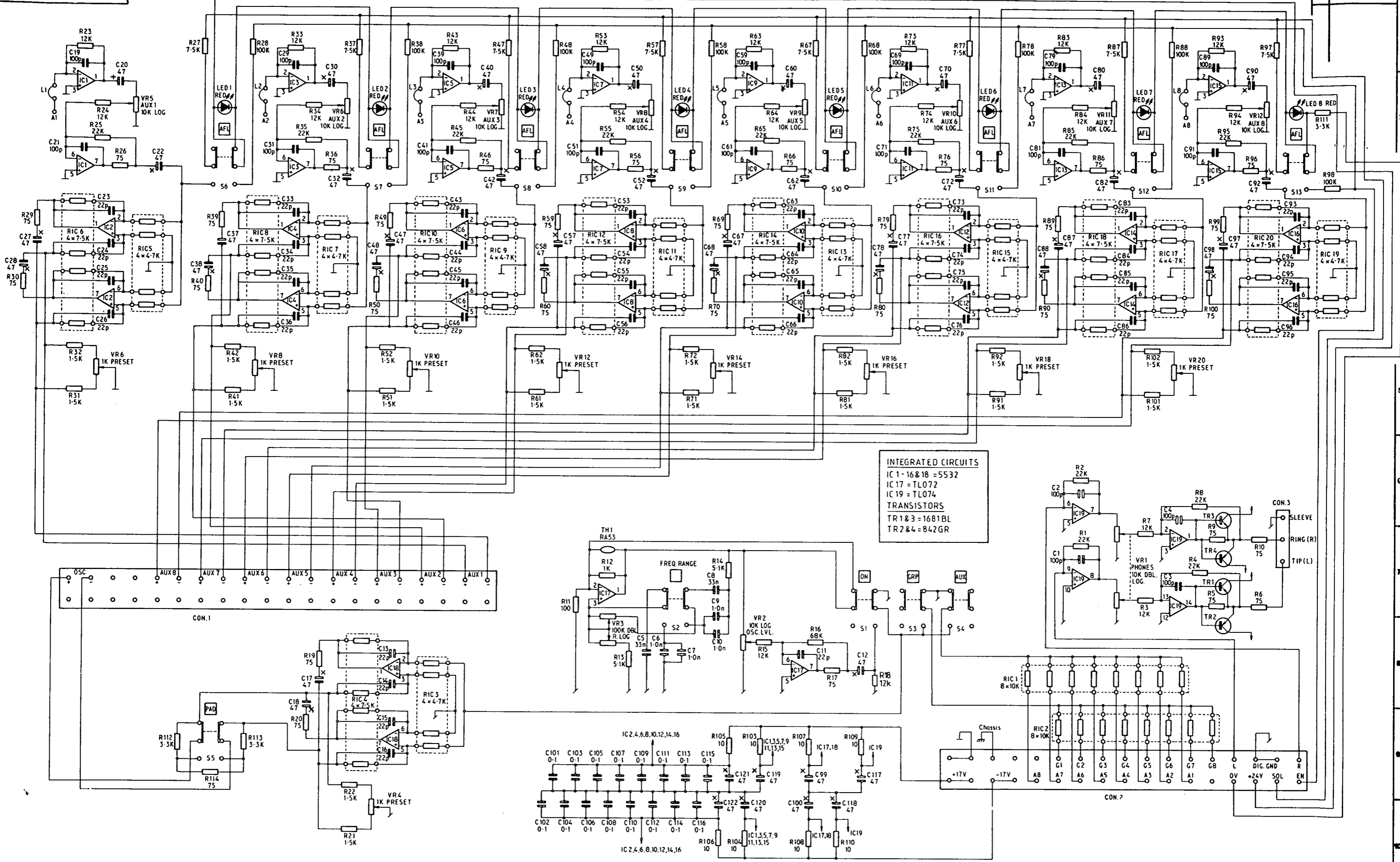


MATL. —
FINSHL. —
SCALE. —

DRG. Mark
TRCD.
CHKD.

SOUNDCRAFT ELECTRONICS LTD.
 5-8 GREAT SUTTON STREET
 LONDON, EC IV, OX.
 TELEPHONE. 01-251-3631/2/3
 TELEGRAMS. SOUNDCRAFT LON. EC1
 TELEX. UK No. 21198. USA No. 01-2203

TITLE. 8015
 MASTER MODULE
 (SC1245)
 DRG No. ED 2104



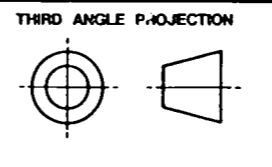
INTEGRATED CIRCUITS
 IC 1-16 & 18 = 5532
 IC 17 = TL072
 IC 19 = TL074
TRANSISTORS
 TR 1 & 3 = 1681BL
 TR 2 & 4 = 842GR

Soundcraft Electronics Limited own the copyright of this drawing which is not to be copied, reproduced or disclosed, in part or whole, to a third party without written permission.

NOTES.
 All resistors in ohms.
 All capacitors in microfarads.
 Unless otherwise stated.
 PART No. RA0261

HOLE INDEX.

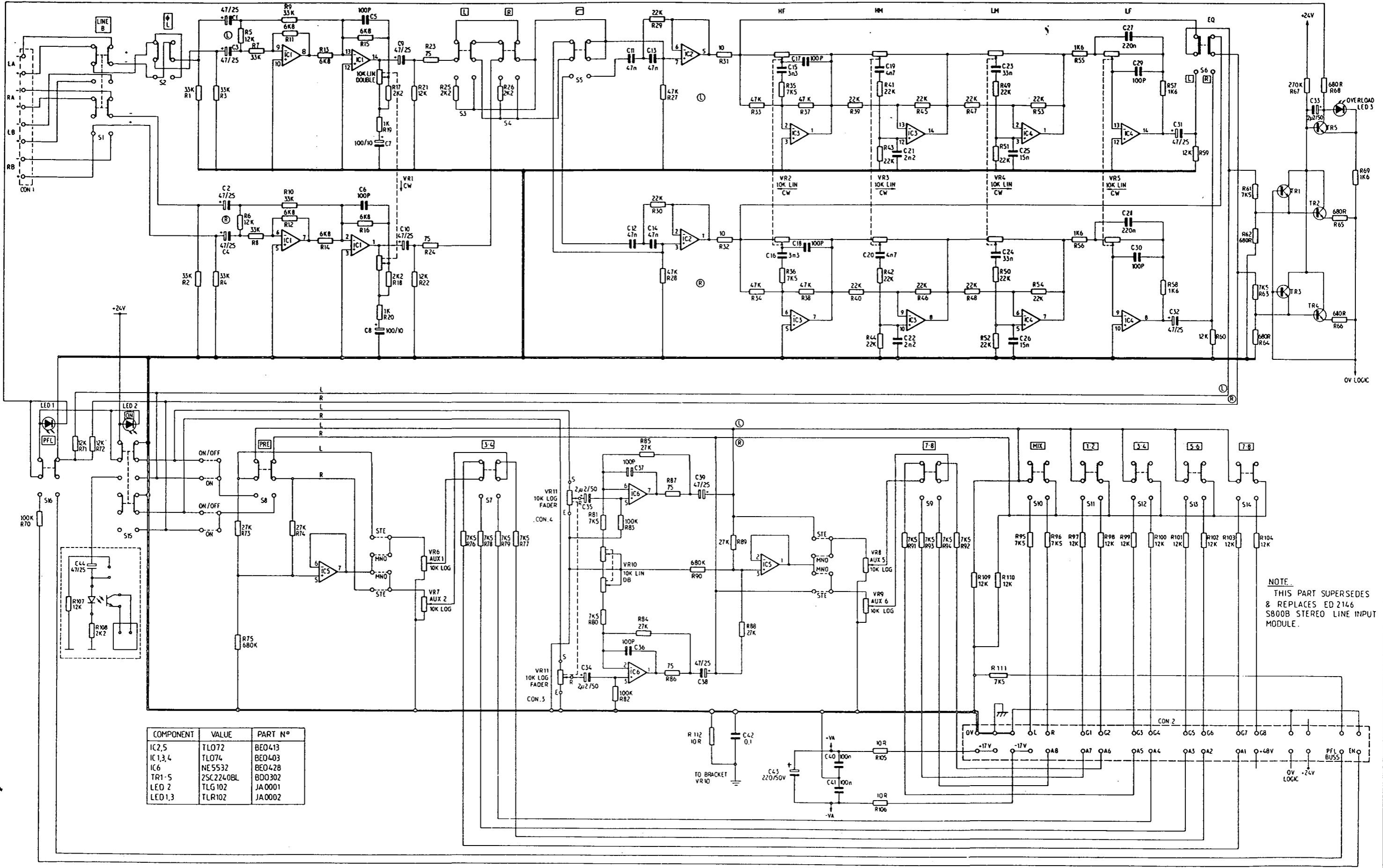
TOLERANCE.
 All imperial dimensions ± 0.010
 All metric dimensions $\pm 0.25mm$
 All angles $\pm 0.50^\circ$
 Unless otherwise stated.



MATL. —
FINISH. —
SCALE. —

DRG. Mark
TRCD. LONDON, EC 1V, 08X.
CHCD. TELEGRAMS. SOUNDRAFT LDA. EC1
 TELEX. UK No. 21198. USA No. 01-2203

TITLE. 8014
 AUX / MASTER
 MODULE
 (FOR SC1247)
DRG No. ED 2105



COMPONENT	VALUE	PART N°
IC2,5	TL072	BEO413
IC1,3,4	TL074	BEO403
IC6	NE5532	BEO428
TR1-5	2SC2240BL	B00302
LED 2	TLG102	JA0001
LED1,3	TLR102	JA0002

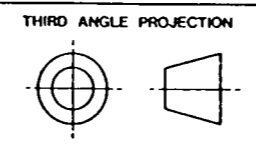
NOTE:
THIS PART SUPERSEDES
& REPLACES ED 2146
S800B STEREO LINE INPUT
MODULE.

Soundcraft Electronics Limited own the copyright of this drawing which is not to be copied, reproduced or disclosed, in part or whole, to a third party without written permission.

NOTES:
Resistors in ohms
Capacitors in micro farads
Unless otherwise stated

HOLE INDEX.

TOLERANCE.
All imperial dimensions ± 0.010
All metric dimensions $\pm 0.25mm$
All angles $\pm 0.50^\circ$
Unless otherwise stated.



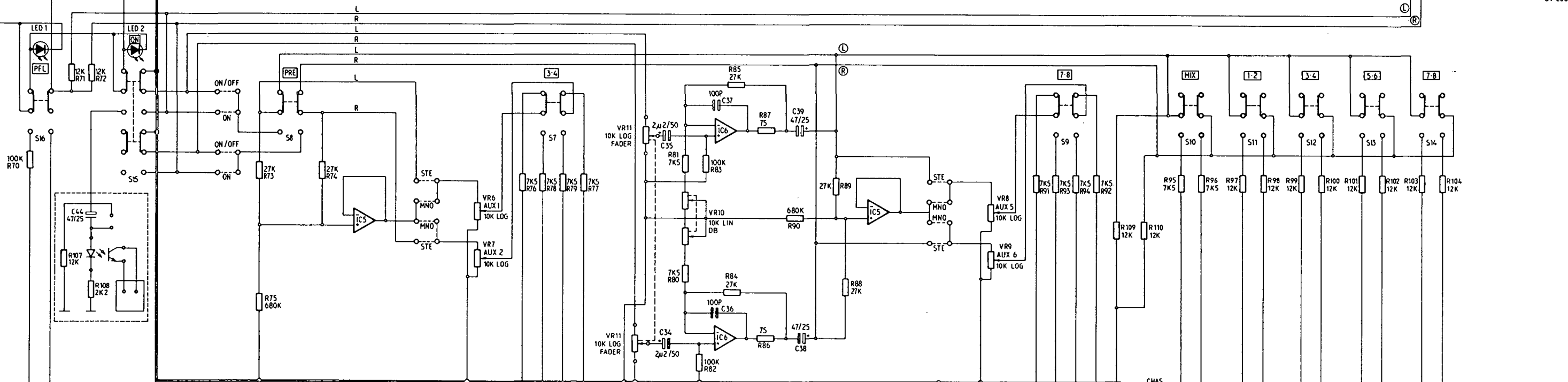
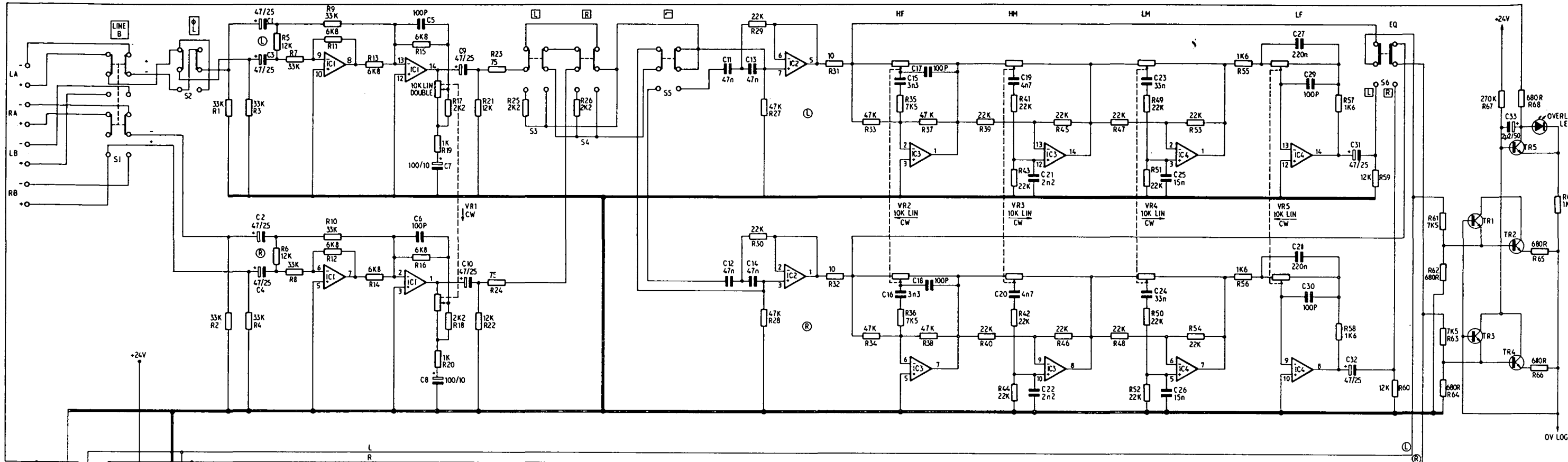
MATL. _____
FINISH. _____
SCALE. _____

DRG. _____
TRCD. _____
CHKD. _____
G.C. 5/12/83

SOUNDCRAFT ELECTRONICS LTD.
5-8 GREAT SUTTON STREET
LONDON, EC1V 0BX.
TELEPHONE. 01-251-3631/2/3
TELEGRAMS. SOUNDCRAFT LDN. EC1
TELEX. UK No. 21198. USA No. 01-2203

TITLE. S8000
STEREO LINE (8200)
INPUT MODULE
(FOR SC 2615)

DRG No. ED 2600



COMPONENT	VALUE	PART N°
IC2,5	TL072	BEO413
IC1,3,4	TL074	BEO403
IC6	NE5532	BEO428
TR1-5	2SC2240BL	BO0302
LED 2	TLG102	JA0001
LED1,3	TLR102	JA0002

NOTES.

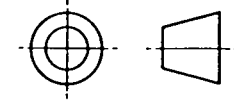
Resistors in ohms
Capacitors in micro farads
Unless otherwise stated

HOLE INDEX.

TOLERANCE.

All imperial dimensions ± 0.010
All metric dimensions $\pm 0.25mm$
All angles $\pm 0.50^\circ$
Unless otherwise stated.

THIRD ANGLE PROJECTION



MATL.

FINISH.

SCALE.

DRG.

TRCD.

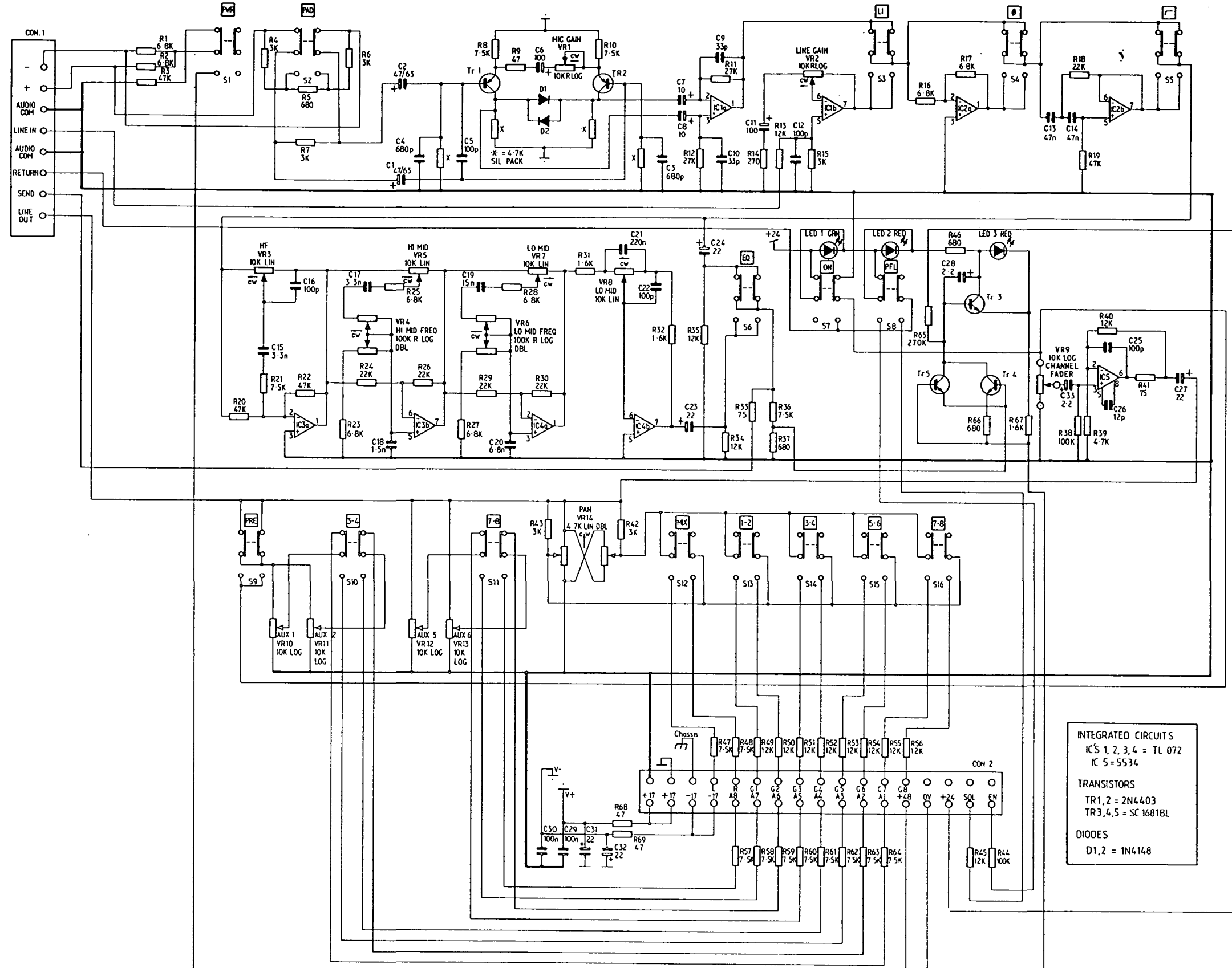
CHKD.
G.C. 5/12/83

SOUNDCRAFT ELECTRONICS LTD.
5-8 GREAT SUTTON STREET
LONDON. EC1V. OBX.
TELEPHONE. 01-251-3631/2/3
TELEGRAMS. SOUNDCRAFT LDN. EC1
TELEX. UK No. 21198. USA No. 01-2203

TITLE.

S800B
STEREO LINE
INPUT MODULE

DRG No. ED 2146



NOTES

- ① C33 not fitted before Issue 3 PCB Retrofit recommended.
- ② C27 reversed before Issue 3
- ③ On early consoles R68 and R69 may be 75R.

INTEGRATED CIRCUITS
 IC'S 1, 2, 3, 4 = TL 072
 IC 5 = 5534

TRANSISTORS
 TR1, 2 = 2N4403
 TR3, 4, 5 = SC 1681BL

DIODES
 D1, 2 = 1N4148

Soundcraft Electronics Limited own the copyright of this drawing which is not to be copied, reproduced or disclosed, in part or whole, to a third party without written permission.

NOTES.
 Capacitors in micro farads
 Resistors in ohms
 Unless otherwise stated
 PART No. RA0240, RB0204

HOLE INDEX.

TOLERANCE.
 All imperial dimensions ± 0.010
 All metric dimensions $\pm 0.25\text{mm}$
 All angles $\pm 0.50^\circ$
 Unless otherwise stated.

THIRD ANGLE PROJECTION

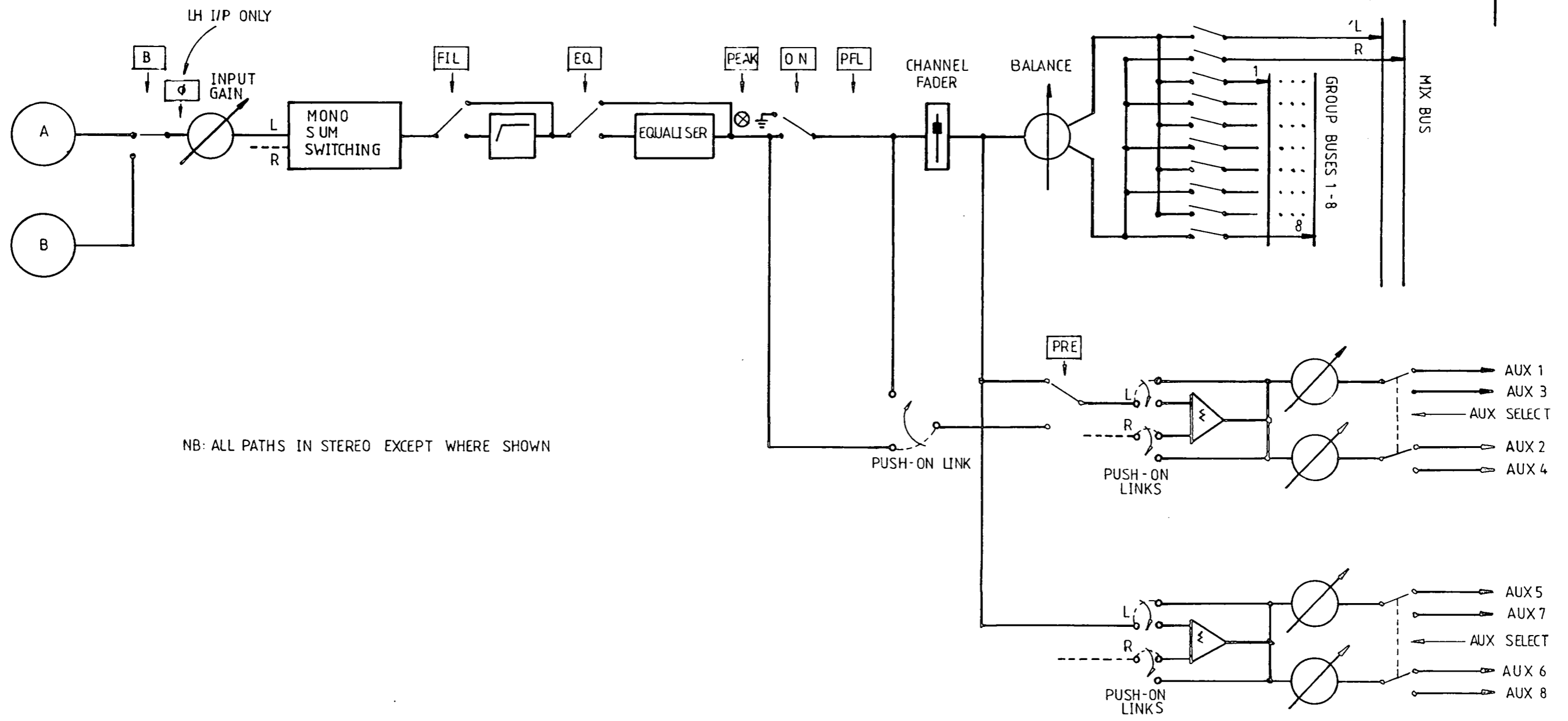
MATL. —
FINISH. —
SCALE. —

DRG. Barry
TRCD.
CHKD.

SOUNDCRAFT ELECTRONICS LTD.
 5-8 GREAT SUTTON STREET
 LONDON. EC4V 0BX.
 TELEPHONE. 01-251-3631/2/3
 TELEGRAMS. SOUNDCRAFT LDN. EC1
 TELEX. UK No. 21198. USA No. 01-2203

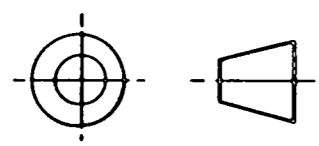
TITLE. 8011
 STANDARD INPUT
 MODULE
 (FOR SC1276)

DRG No. ED 2102



NB: ALL PATHS IN STEREO EXCEPT WHERE SHOWN

THIRD ANGLE PROJECTION



TOLERANCE
All imperial dimensions ± 0.010
All metric dimensions $\pm 0.25\text{mm}$
All angles $\pm 0.50^\circ$
Unless otherwise stated

HOLE INDEX

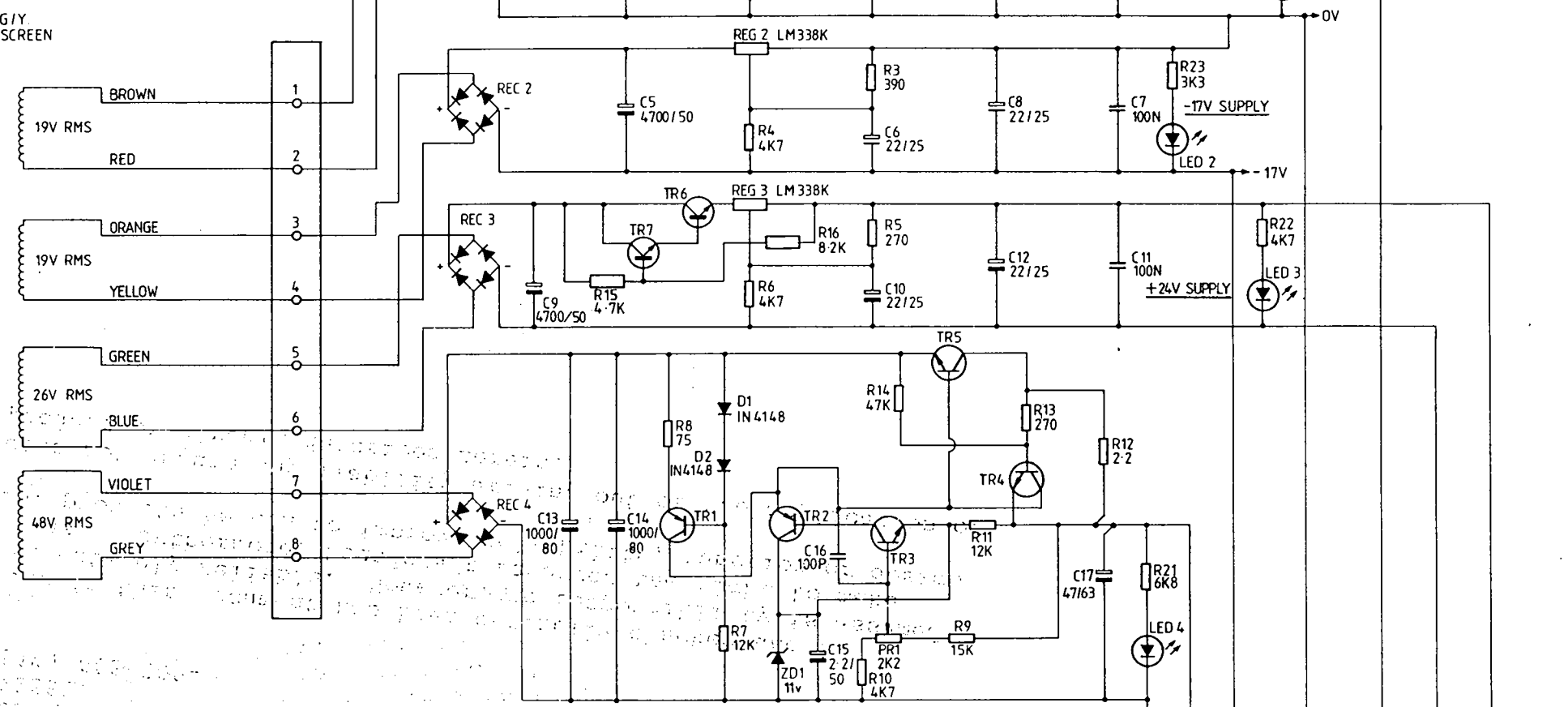
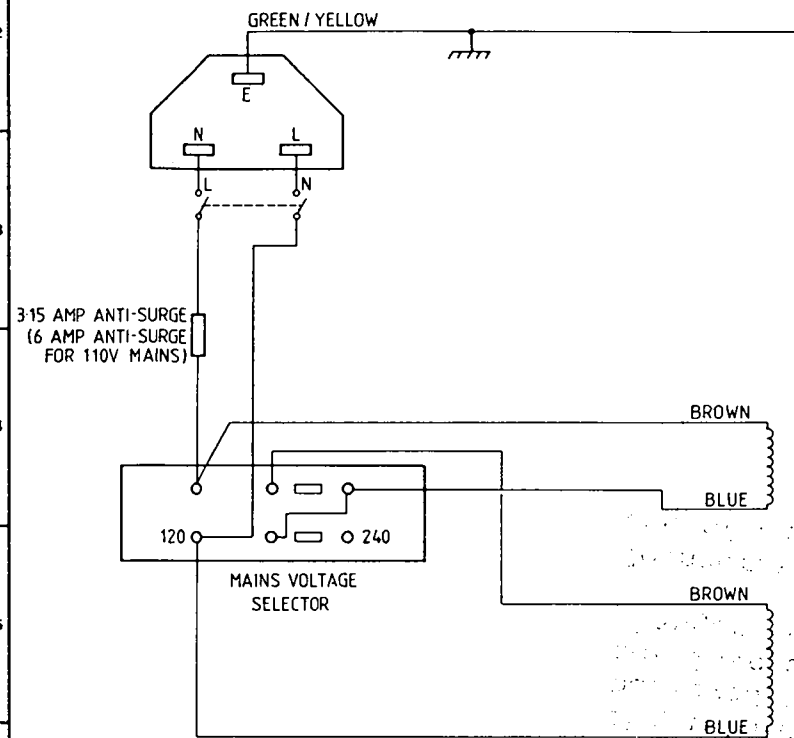
MATL	DRN AB
FINISH	TRCD
SCALE	CHKD

SOUNDCRAFT ELECTRONICS LTD
5-8 GREAT SUTTON STREET
LONDON EC1V 0BX.
TELEPHONE. 01-251-3631/2/3
TELEGRAMS. SOUNDCRAFT LDN EC1
TELEX. UK. No. 21198. USA. No. 224408

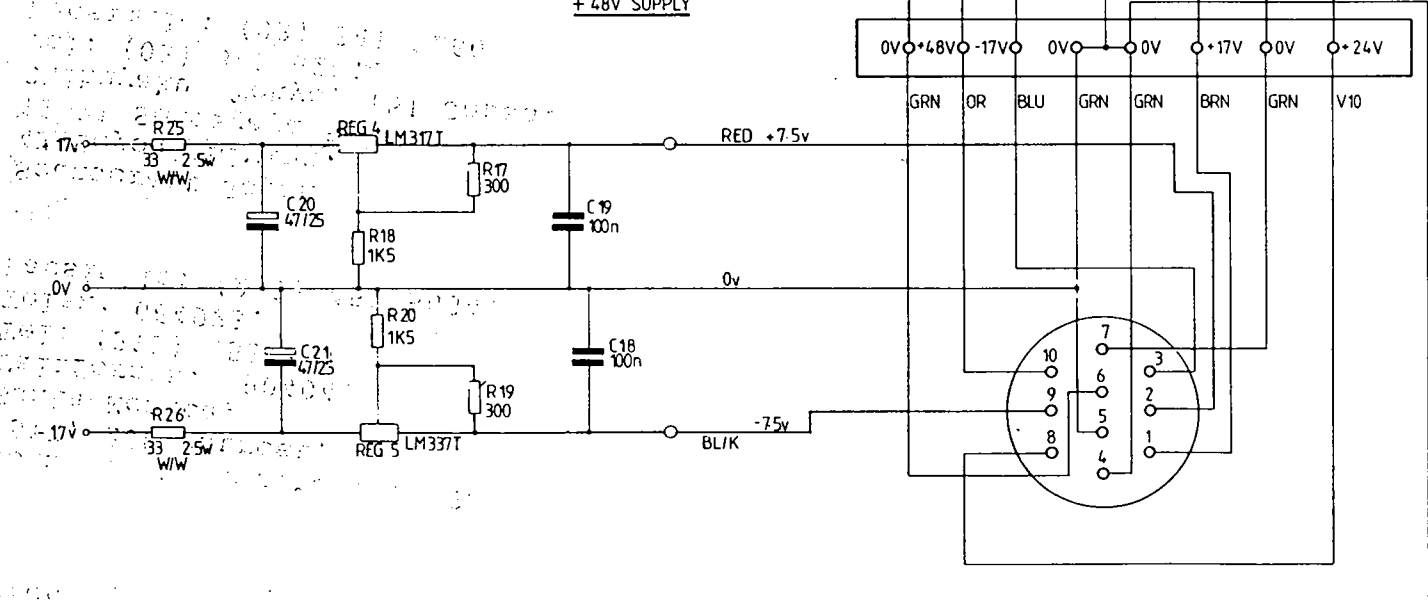
TITLE S800B STEREO I/P MOL
SIGNAL FLOW DIAGRAM

DRG. No. ED 2243

Issue 1	25-10-84
Issue 2	7-1-85
ISS 3	22/1/85
Issue 4	31-1-85



TRANSISTORS	
TR1 & TR2	= FNP 2SA 970 GR.
TR3, 4, 7	= NPN 2SC 2240 BL
TR5	= NPN BD 135
TR6	= NPN 2N 3055
RECTIFIERS	
REC1, REC 2 & REC 3	= KBF02
REC 4	= KBP02



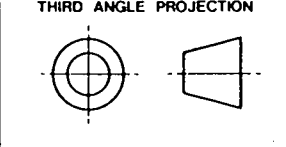
VIEWED FROM SOLDER PINS OF SRC CONNECTOR

Soundcraft Electronics Limited own the copyright of this drawing which is not to be copied, reproduced or disclosed, in part or whole, to a third party without written permission.

NOTES.

HOLE INDEX.

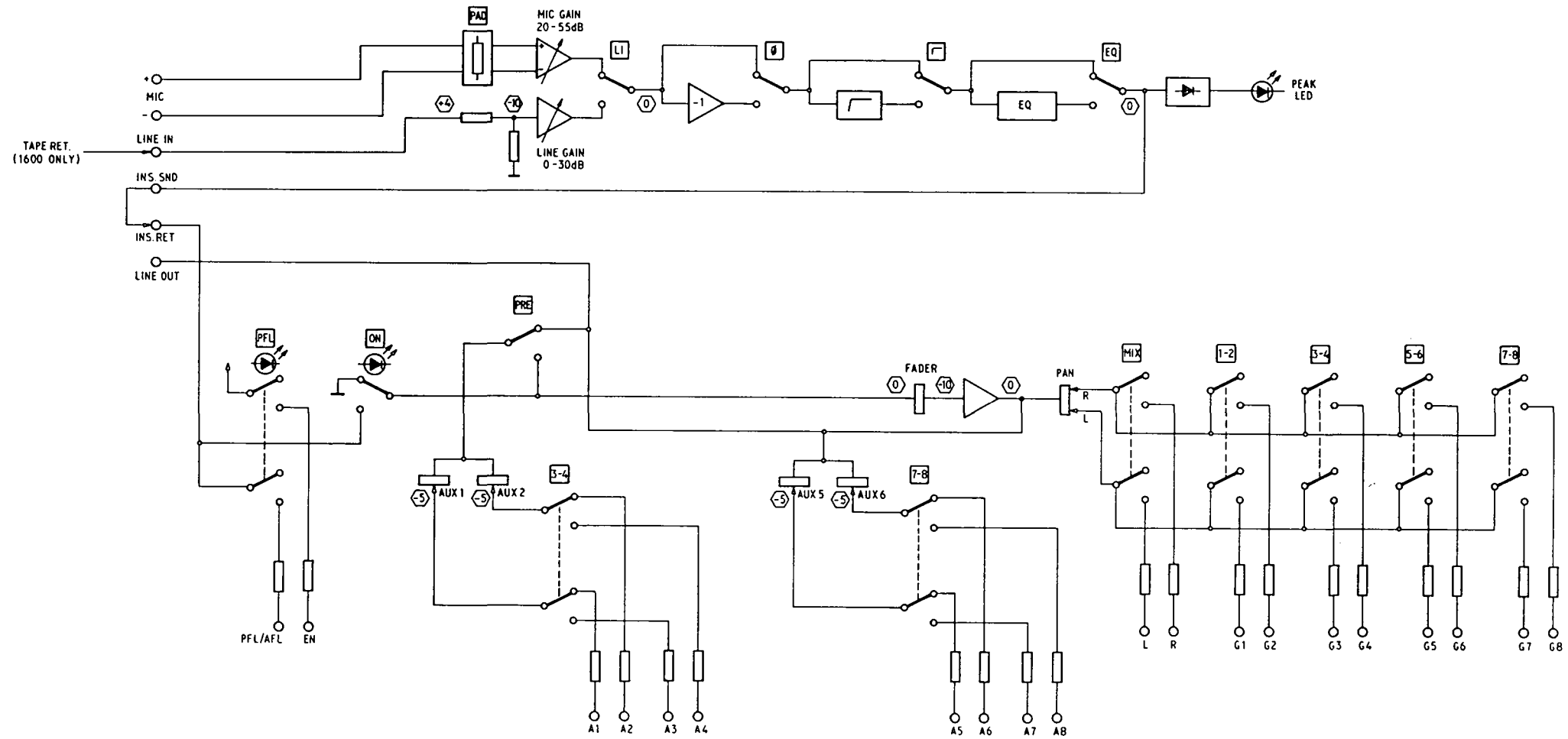
TOLERANCE.
All imperial dimensions ± 0.010
All metric dimensions $\pm 0.25\text{mm}$
All angles $\pm 0.50^\circ$
Unless otherwise stated.



MATL.
FINISH.
SCALE.

DRG. TRCD. *Colin Smith*
CHKD.
SOUNDCRAFT ELECTRONICS LTD.
5-8 GREAT SUTTON STREET
LONDON. EC IV. OBX.
TELEPHONE. 01-251-3631/2/3
TELEGRAMS. SOUNDCRAFT LDN. EC1
TELEX. UK No. 21198. USA No. 01-2203

TITLE. MEDIUM CONSOLE POWER SUPPLY SC1584
DRG No. ED 2208



Soundcraft Electronics Limited own the copyright of this drawing which is not to be copied, reproduced or disclosed, in part or whole, to a third party without written permission.

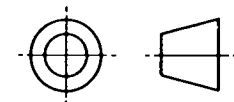
NOTES.

HOLE INDEX.

TOLERANCE.

All imperial dimensions ± 0.010
All metric dimensions $\pm 0.25\text{mm}$
All angles $\pm 0.50^\circ$
Unless otherwise stated.

THIRD ANGLE PROJECTION



MATL.

FINISH.

SCALE.

DRG. Mark

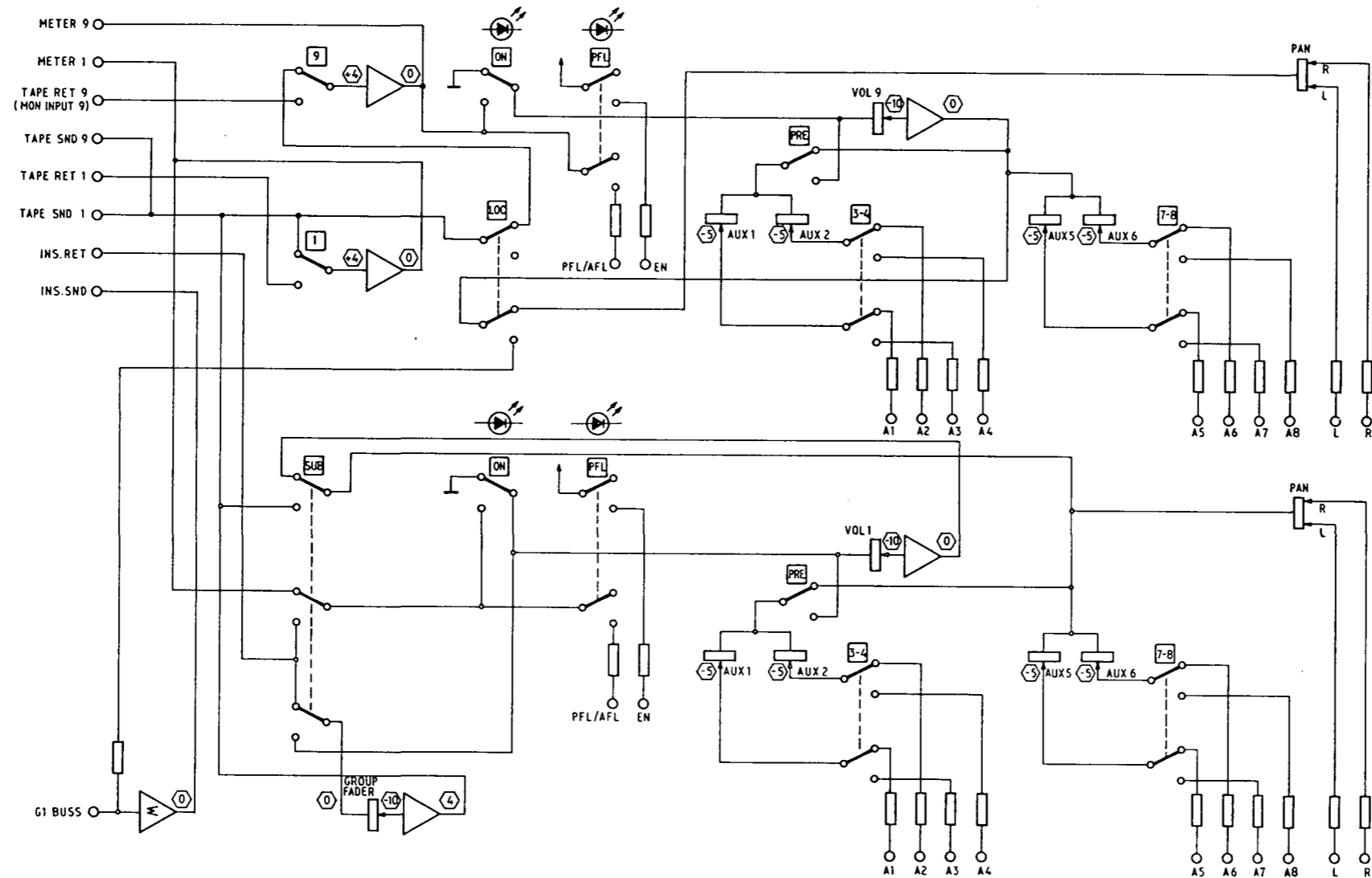
TRCD.

CHKD.

SOUNDCRAFT ELECTRONICS LTD.
5-8 GREAT SUTTON STREET
LONDON. EC1V. 0BX.
TELEPHONE. 01-251-3831/2/3
TELEGRAMS. SOUNDCRAFT LDN. EC1
TELEX. UK No. 21198. USA No. 01-2203

TITLE. 8011
STANDARD INPUT
BLOCK DIAGRAM

DRG No. M12250



Soundcraft Electronics Limited
own the copyright of this drawing
which is not to be copied, reproduced
or disclosed, in part or whole, to a
third party without written permission.

NOTES.

HOLE INDEX.

TOLERANCE.
All imperial dimensions ± 0.010
All metric dimensions $\pm 0.25\text{mm}$
All angles $\pm 0.50^\circ$
Unless otherwise stated.

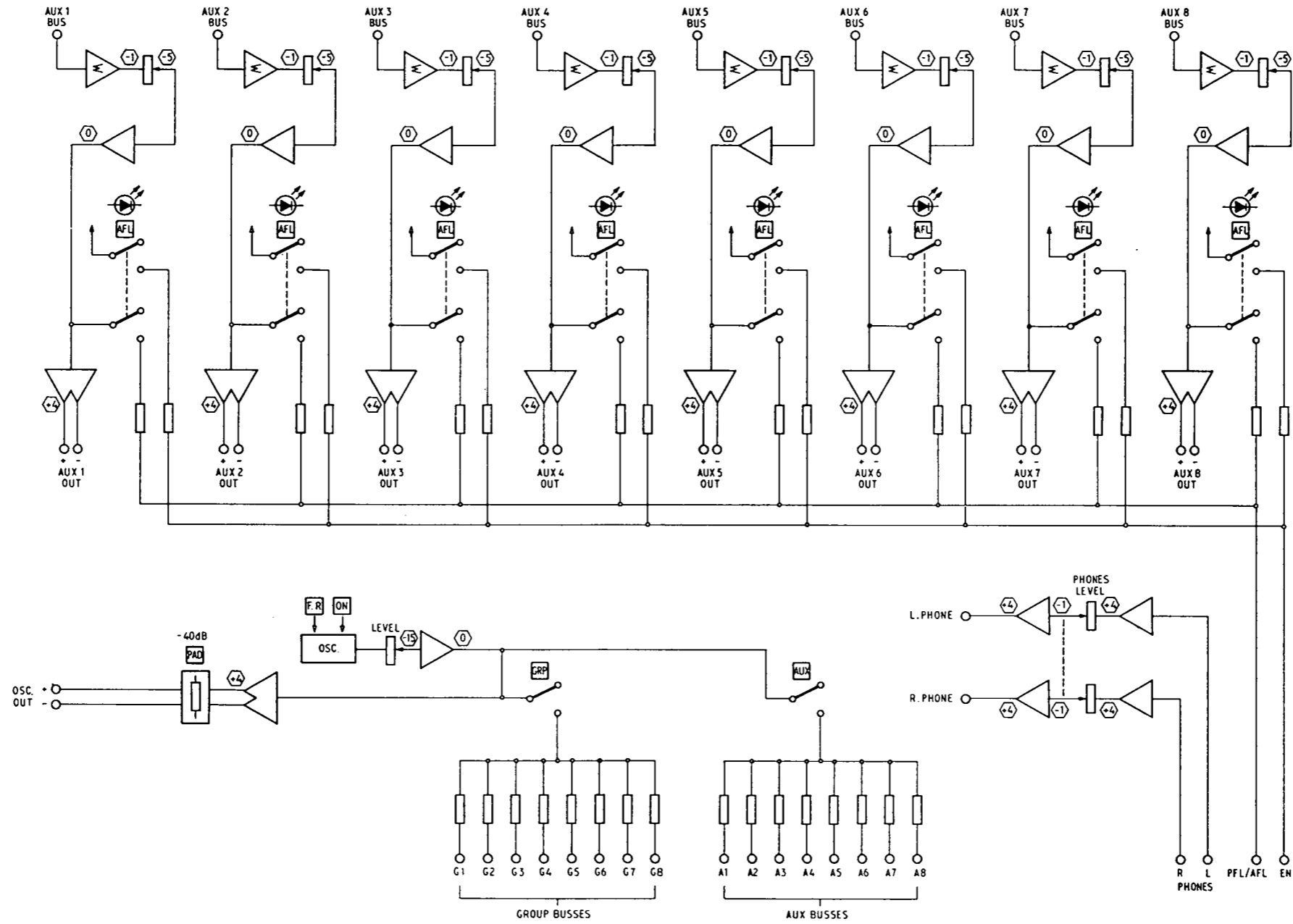
THIRD ANGLE PROJECTION

MATL. —
FINISH. —
SCALE. —

DRG. Mark
TRCD.
CHKD. G.H.B.

SOUNDCRAFT ELECTRONICS LTD.
5-8 GREAT SUTTON STREET
LONDON. EC1V. 0BX.
TELEPHONE. 01-251-3631/2/3
TELEGRAMS. SOUNDCRAFT LDN. EC1
TELEX. UK No. 21198. USA No. 01-2203

TITLE 8012
RECORDING OUTPUT
BLOCK DIAGRAM
DRG No. MI 2251



Soundcraft Electronics Limited own the copyright of this drawing which is not to be copied, reproduced or disclosed, in part or whole, to a third party without written permission.

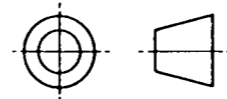
NOTES.

HOLE INDEX.

TOLERANCE.

All imperial dimensions ± 0.010
All metric dimensions $\pm 0.25\text{mm}$
All angles $\pm 0.50^\circ$
Unless otherwise stated.

THIRD ANGLE PROJECTION



MATL.

FINISH.

SCALE.

DRG. Mark

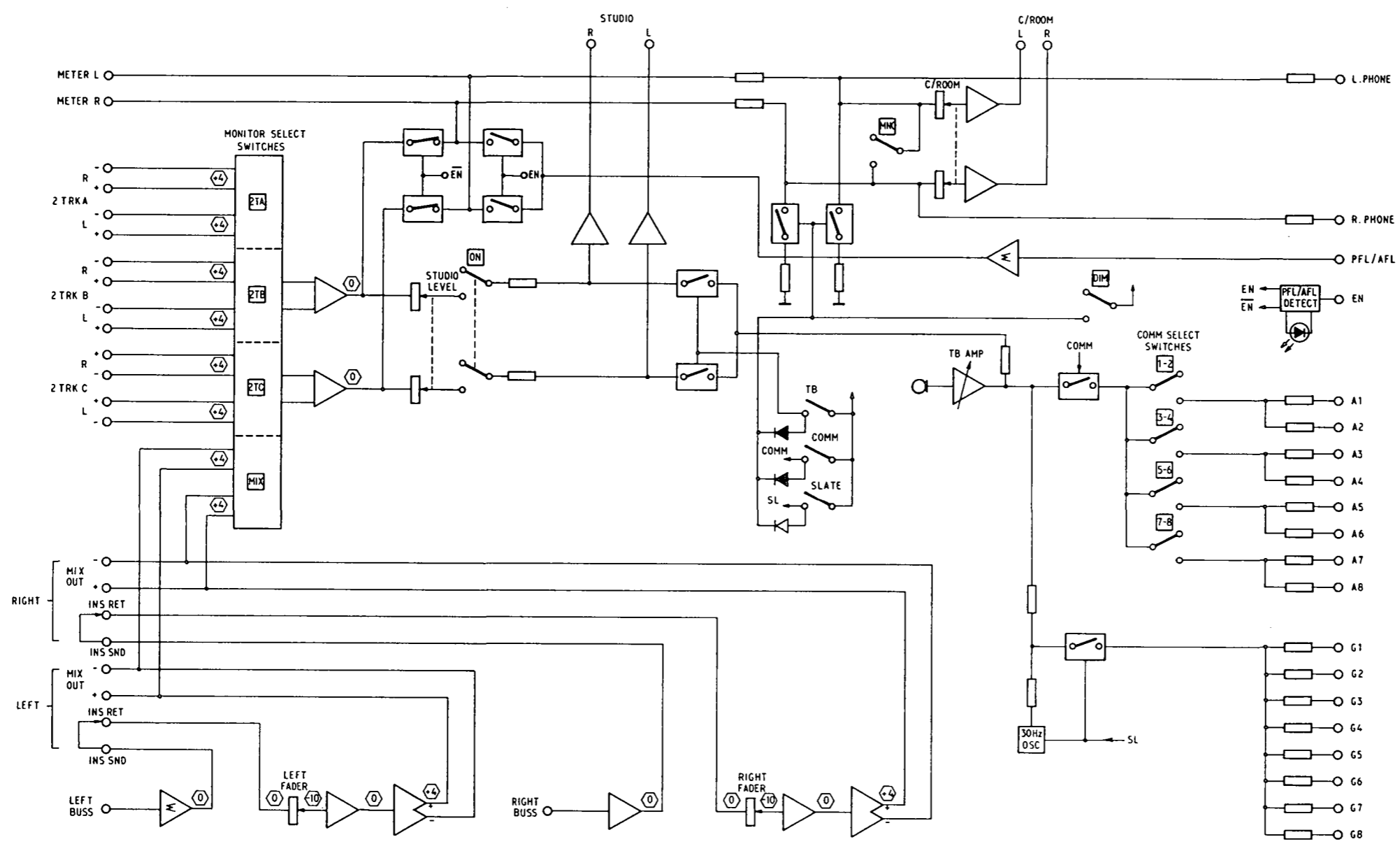
TRCD.

CHKD.

SOUNDCRAFT ELECTRONICS LTD.
5-8 GREAT SUTTON STREET
LONDON. EC 4V. OBX.
TELEPHONE. 01-251-3831/2/3
TELEGRAMS. SOUNDCRAFT LDN. EC1
TELEX. UK No. 21198. USA No. 01-2203

TITLE. 8014
AUX/MASTER
BLOCK DIAGRAM

DRG No. MI 2253



Soundcraft Electronics Limited
own the copyright of this drawing
which is not to be copied, reproduced
or disclosed, in part or whole, to a
third party without written permission.

NOTES.

HOLE INDEX.

TOLERANCE.
All imperial dimensions ± 0.010
All metric dimensions $\pm 0.25\text{mm}$
All angles $\pm 0.50^\circ$
Unless otherwise stated.

THIRD ANGLE PROJECTION

MATL. —
FINISH. —
SCALE. —

DRG. Mark
TRCD.
CHKD.

SOUNDCRAFT ELECTRONICS LTD.
5-8 GREAT SUTTON STREET
LONDON, EC4V 0BX.
TELEPHONE. 01-251-3631/2/3
TELEGRAMS. SOUNDCRAFT LDN. EC1
TELEX. UK No. 21198. USA No. 01-2203

TITLE. 8015
MASTER MODL
BLOCK DIAGRAM
DRG No. M12254