

Soundcraft Electronics Limited
own the copyright of this drawing
which is not to be copied, reproduced
or disclosed, in part or whole to a
third party without written permission.

TOLERANCES

HOLE SIZES AFTER PAINTING

0-3mm	+0.10 -0.00
OVER 3-6mm	+0.12 -0.00
OVER 6-10mm	+0.15 -0.00
OVER 10-18mm	+0.18 -0.00
OVER 18-25mm	+0.21 -0.00
OVER 25mm	+0.25 -0.00

GENERAL TOLERANCES

Delete where not applicable.
±0.50mm (0.020")
±0.25mm (0.010")
±0.12mm (0.005")
HOLE CENTRE ±0.004"
ALL ANGLES ±0.50°
Unless otherwise stated.

HOLE INDEX

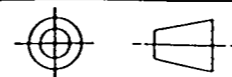


MATL

FINISH

SCALE

NTS



DRN

COLIN

TRCD

CHKD

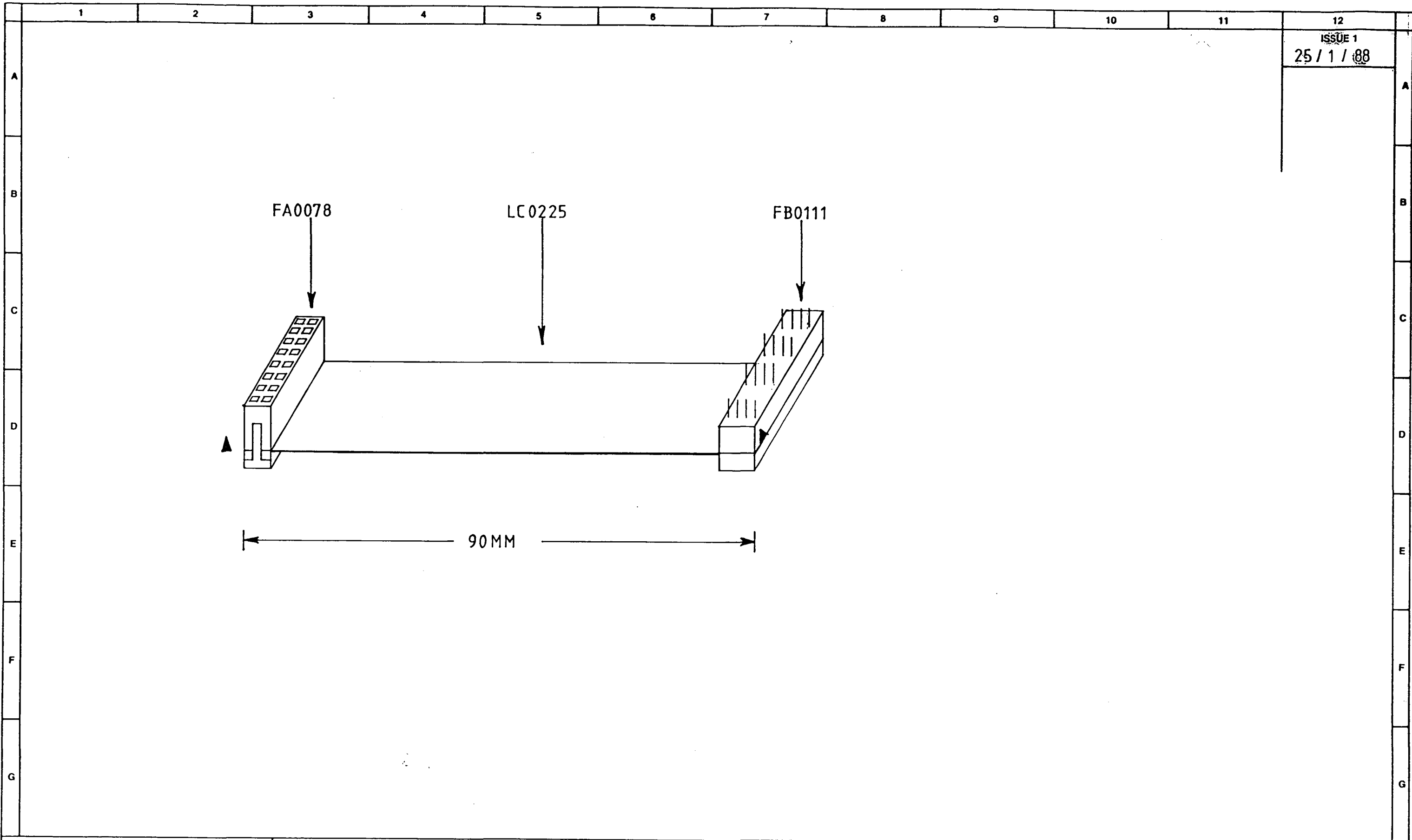
THIRD ANGLE PROJECTION
THIS DRAWING TO COMPLY
TO BS308.

SOUNDCRAFT ELECTRONICS LTD
UNIT 2,
BOREHAMWOOD INDUSTRIAL PARK,
ROWLEY LANE,
BOREHAMWOOD,
HERTFORDSHIRE WD6 5PZ.
TELEPHONE: 01-207-5050
FACSIMILE No. 2070194

TITLE
SAC2000
O/P REAR CONN PCB
(PART NO RP9605)

DRG. NO. M12689

ALL RIBBON CABLES 3FT LONG

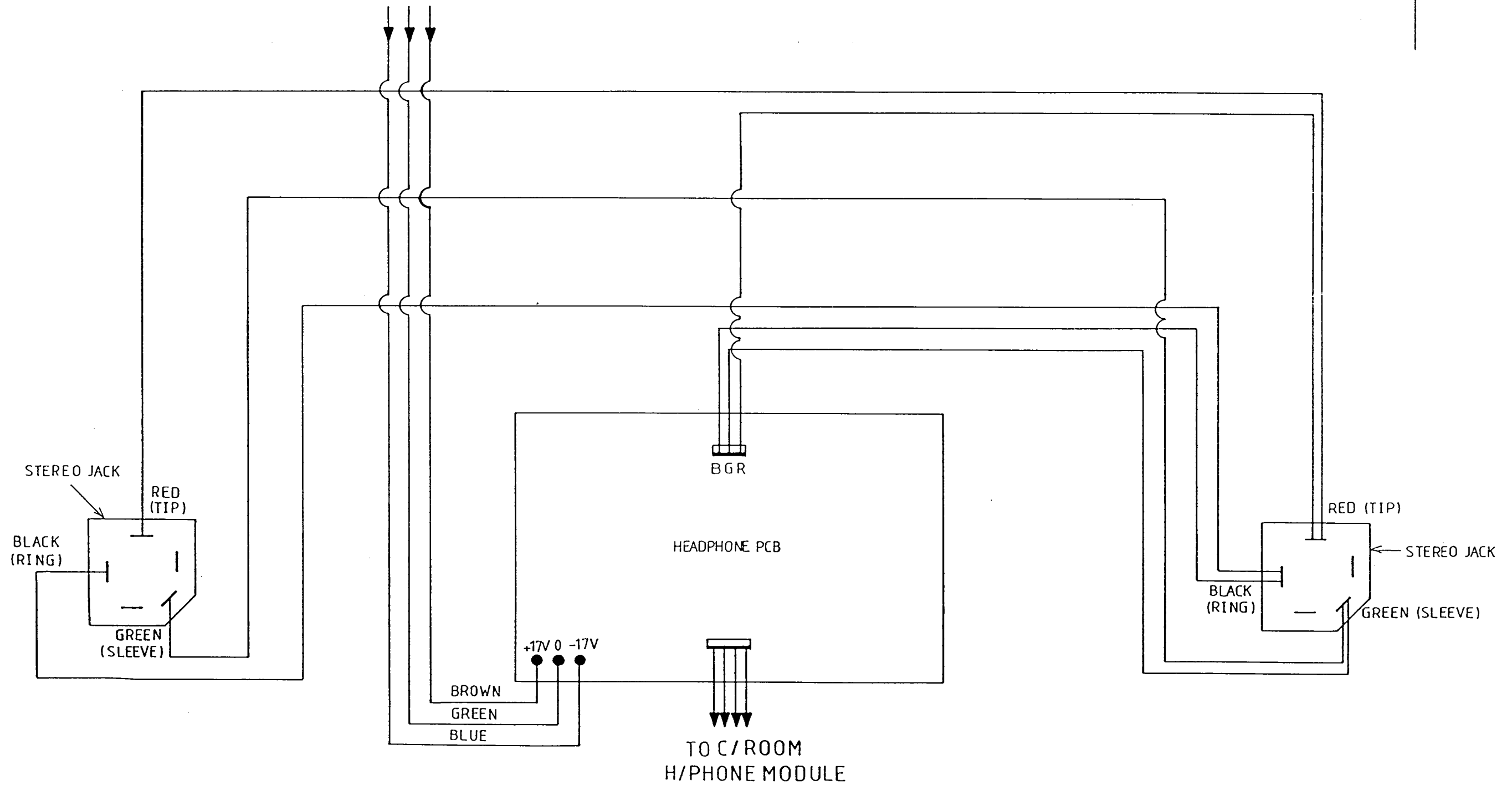


<p>TOLERANCES HOLE SIZES AFTER PAINTING</p> <p>0-3mm - +0.10 - -0.00</p> <p>OVER 3-6mm - +0.12 - -0.00</p> <p>OVER 6-10mm - +0.15 - -0.00</p> <p>OVER 10-18mm - +0.18 - -0.00</p> <p>OVER 18-25mm - +0.21 - -0.00</p> <p>OVER 25mm - +0.25 - -0.00</p>	<p>GENERAL TOLERANCE</p> <p>Delete where not applicable.</p> <p>± 0.50 mm (0.020")</p> <p>± 0.25 mm (0.010")</p> <p>± 0.12 mm (0.005")</p> <p>HOLE CENTRES ± 0.004"</p> <p>ALL ANGLES ± 0.50°</p> <p>Unless otherwise stated.</p>	<p>HOLE INDEX</p> <p><input type="checkbox"/></p> <p><input type="checkbox"/></p> <p><input type="checkbox"/></p> <p><input type="checkbox"/></p>	<p><input type="checkbox"/></p> <p><input type="checkbox"/></p> <p><input type="checkbox"/></p> <p><input type="checkbox"/></p>	<p>MATL</p> <p>FINISH</p> <p>SCALE</p>	<p>DRN</p> <p>TRCD</p> <p>CHKD</p>	<p>SOUNDCRAFT ELECTRONICS LTD UNIT 2, BOREHAMWOOD INDUSTRIAL PARK, ROWLEY LANE, BOREHAMWOOD, HERTFORDSHIRE WD6 5PZ. TELEPHONE: 01-207-5050 FACSIMILE No. 2070194</p>	<p>TITLE SAC 2000 AIR SWITCH LOOM ASSY RV1326</p>	<p>DRG. No. MI2660</p>
---	--	--	---	---	---	--	--	------------------------

ISSUE 1
5.8.86

FRONT VIEW

FROM O/P
MOTHER PCB



TOLERANCES
HOLE SIZES AFTER PAINTING

0-3mm	+ 0.10	- 0.00
OVER 3-6mm	+ 0.12	- 0.00
OVER 6-10mm	+ 0.15	- 0.00
OVER 10-18mm	+ 0.18	- 0.00
OVER 18-25mm	+ 0.21	- 0.00
OVER 25mm	+ 0.25	- 0.00

GENERAL TOLERANCE
Delete where not applicable.

± 0.50mm (0.020")
± 0.25mm (0.010")
± 0.12mm (0.005")
HOLE CENTRES ± 0.004"
ALL ANGLES ± 0.50°
Unless otherwise stated.

HOLE INDEX

<input type="checkbox"/>
<input type="checkbox"/>
<input type="checkbox"/>
<input type="checkbox"/>

<input type="checkbox"/>
<input type="checkbox"/>
<input type="checkbox"/>
<input type="checkbox"/>

MATL	DRN D.CHEW
FINISH	TRCD
SCALE	CHKD S. Jey
<p>THIRD ANGLE PROJECTION THIS DRAWING TO COMPLY TO BS308.</p>	

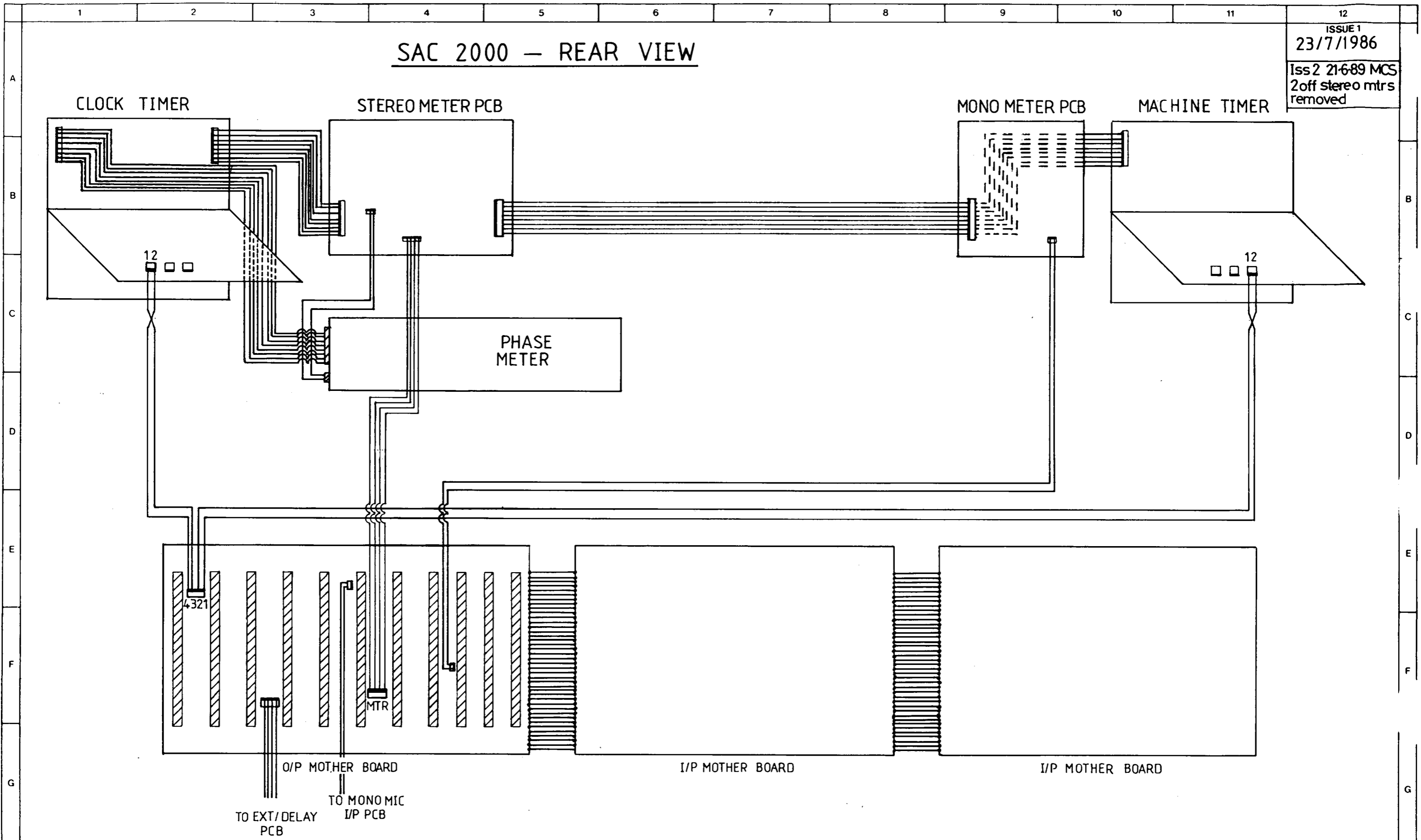
SOUNDCRAFT ELECTRONICS LTD
UNIT 2,
BOREHAMWOOD INDUSTRIAL PARK,
ROWLEY LANE,
BOREHAMWOOD,
HERTFORDSHIRE WD6 5PZ.
TELEPHONE: 01-207-5050
FACSIMILE No. 2070194

TITLE
SAC 2000
WIRING DETAILS FOR
H/PHONE PCB

DRG.No. MI 2576

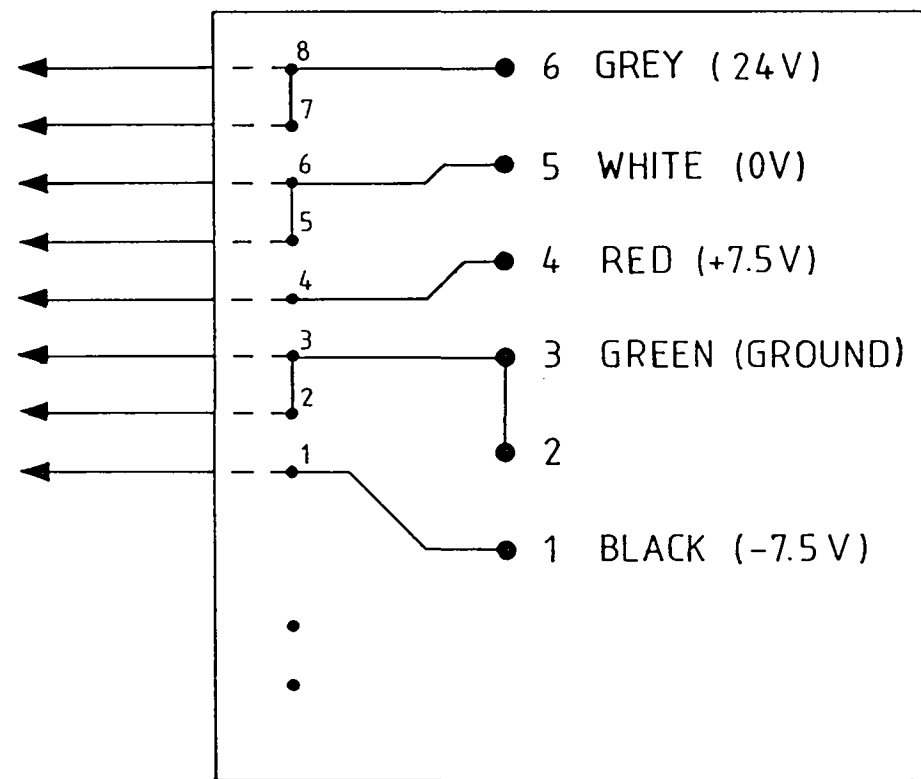
SAC 2000 - REAR VIEW

ISSUE 1
23/7/1986
Iss 2 21-6-89 MCS
2 off stereo mtrs
removed



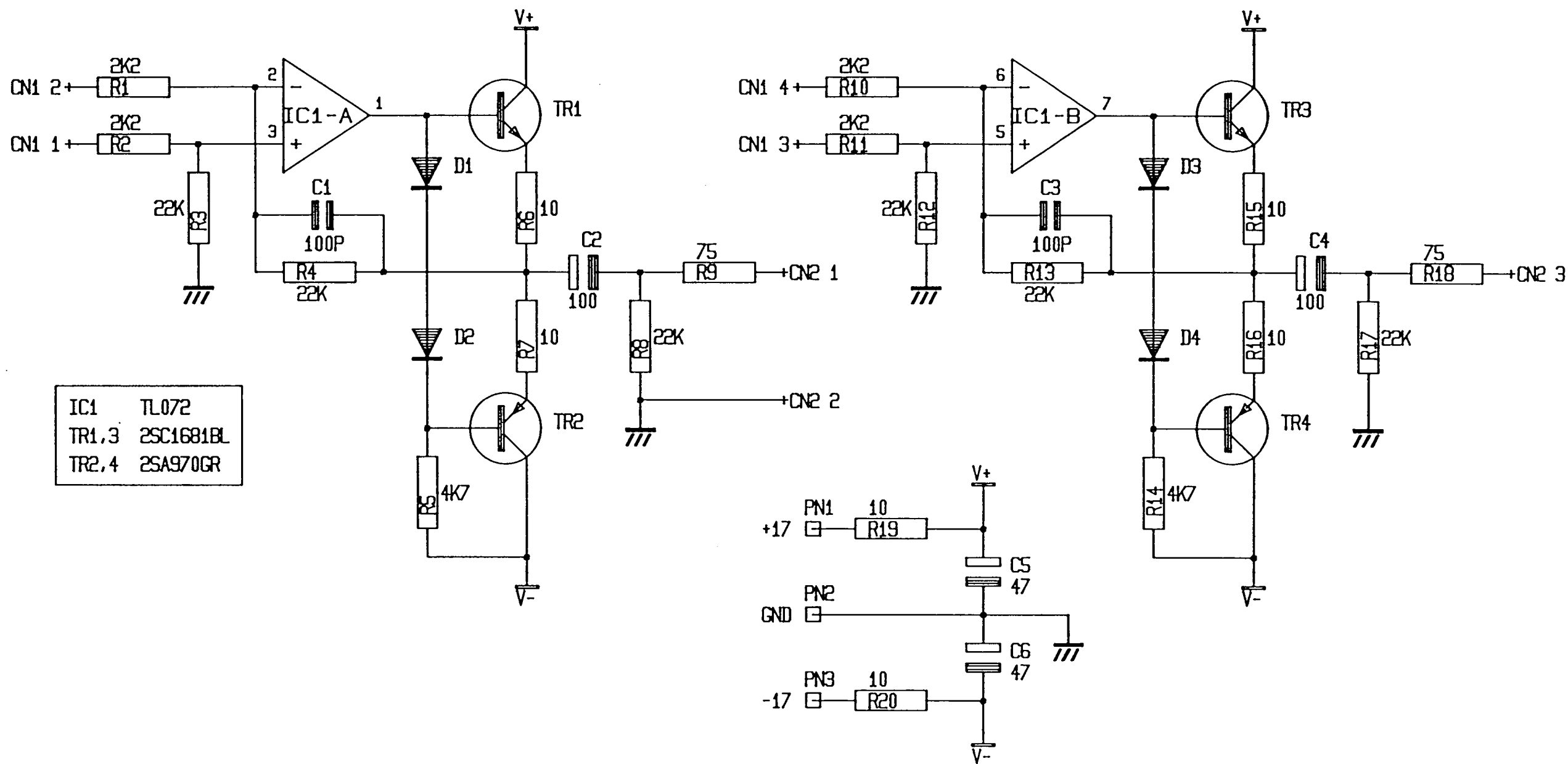
<p>TOLERANCES HOLE SIZES AFTER PAINTING</p> <p>0-3mm = + 0.10 - 0.00</p> <p>OVER 3-6mm = + 0.12 - 0.00</p> <p>OVER 6-10mm = + 0.15 - 0.00</p> <p>OVER 10-18mm = + 0.18 - 0.00</p> <p>OVER 18-25mm = + 0.21 - 0.00</p> <p>OVER 25mm = + 0.25 - 0.00</p>	<p>GENERAL TOLERANCE</p> <p>Delete where not applicable.</p> <p>± 0.50mm (0.020")</p> <p>± 0.25mm (0.010")</p> <p>± 0.12mm (0.005")</p> <p>HOLE CENTRES ± 0.004"</p> <p>ALL ANGLES ± 0.50°</p> <p>Unless otherwise stated.</p>	<p>HOLE INDEX</p> <p><input type="checkbox"/></p> <p><input type="checkbox"/></p> <p><input type="checkbox"/></p> <p><input type="checkbox"/></p> <p><input type="checkbox"/></p>	<p><input type="checkbox"/></p> <p><input type="checkbox"/></p> <p><input type="checkbox"/></p> <p><input type="checkbox"/></p>	<p>MATL</p> <p>FINISH</p> <p>SCALE</p>	<p>DRN D.CHEW</p> <p>TRCD</p> <p>CHKD</p>	<p>SOUNDCRAFT ELECTRONICS LTD UNIT 2, BOREHAMWOOD INDUSTRIAL PARK, ROWLEY LANE, BOREHAMWOOD, HERTFORDSHIRE WD6 5PZ. TELEPHONE : 01-207-5050 FACSIMILE No. 2070194</p>	<p>TITLE</p> <p>SAC 2000 WIRING DETAILS FOR METER PANEL</p> <hr/> <p>DRG.No. MI 2549</p>
--	---	--	---	--	--	---	--

TO TIMER
DISPLAY PCB



PHASE METER

<p>TOLERANCES HOLE SIZES AFTER PAINTING</p> <table border="0"> <tr><td>0-3mm</td><td>- + 0.10</td></tr> <tr><td></td><td>- 0.00</td></tr> <tr><td>OVER 3-6mm</td><td>- + 0.12</td></tr> <tr><td></td><td>- 0.00</td></tr> <tr><td>OVER 6-10mm</td><td>- + 0.15</td></tr> <tr><td></td><td>- 0.00</td></tr> <tr><td>OVER 10-18mm</td><td>- + 0.18</td></tr> <tr><td></td><td>- 0.00</td></tr> <tr><td>OVER 18-25mm</td><td>- + 0.21</td></tr> <tr><td></td><td>- 0.00</td></tr> <tr><td>OVER 25mm</td><td>- + 0.25</td></tr> <tr><td></td><td>- 0.00</td></tr> </table>	0-3mm	- + 0.10		- 0.00	OVER 3-6mm	- + 0.12		- 0.00	OVER 6-10mm	- + 0.15		- 0.00	OVER 10-18mm	- + 0.18		- 0.00	OVER 18-25mm	- + 0.21		- 0.00	OVER 25mm	- + 0.25		- 0.00	<p>GENERAL TOLERANCE</p> <p>Delete where not applicable.</p> <p>± 0.50mm (0.020")</p> <p>± 0.25mm (0.010")</p> <p>± 0.12mm (0.005")</p> <p>HOLE CENTRES ± 0.004"</p> <p>ALL ANGLES ± 0.50°</p> <p>Unless otherwise stated.</p>	<p>HOLE INDEX</p> <table border="0"> <tr><td><input type="checkbox"/></td><td><input type="checkbox"/></td></tr> <tr><td><input type="checkbox"/></td><td><input type="checkbox"/></td></tr> <tr><td><input type="checkbox"/></td><td><input type="checkbox"/></td></tr> <tr><td><input type="checkbox"/></td><td><input type="checkbox"/></td></tr> </table>	<input type="checkbox"/>	<input type="checkbox"/>	<input type="checkbox"/>	<input type="checkbox"/>	<input type="checkbox"/>	<input type="checkbox"/>	<input type="checkbox"/>	<input type="checkbox"/>	<table border="0"> <tr><td><input type="checkbox"/></td></tr> <tr><td><input type="checkbox"/></td></tr> <tr><td><input type="checkbox"/></td></tr> <tr><td><input type="checkbox"/></td></tr> </table>	<input type="checkbox"/>	<input type="checkbox"/>	<input type="checkbox"/>	<input type="checkbox"/>	<table border="1"> <tr><td>MATL</td><td>DRN D.CHEW</td></tr> <tr><td>FINISH</td><td>TRCD</td></tr> <tr><td>SCALE</td><td>CHKD S. Jey</td></tr> </table> <p>THIRD ANGLE PROJECTION</p> <p>THIS DRAWING TO COMPLY TO BS308.</p>	MATL	DRN D.CHEW	FINISH	TRCD	SCALE	CHKD S. Jey	<p>SOUNDCRAFT ELECTRONICS LTD UNIT 2, BOREHAMWOOD INDUSTRIAL PARK, ROWLEY LANE, BOREHAMWOOD, HERTFORDSHIRE WD6 5PZ. TELEPHONE: 01-207-5050 FACSIMILE No. 2070194</p>	<p>TITLE</p> <p>SAC 2000 PHASE METER WIRING DETAILS.</p> <p>DRG.No. MI 2577</p>
0-3mm	- + 0.10																																															
	- 0.00																																															
OVER 3-6mm	- + 0.12																																															
	- 0.00																																															
OVER 6-10mm	- + 0.15																																															
	- 0.00																																															
OVER 10-18mm	- + 0.18																																															
	- 0.00																																															
OVER 18-25mm	- + 0.21																																															
	- 0.00																																															
OVER 25mm	- + 0.25																																															
	- 0.00																																															
<input type="checkbox"/>	<input type="checkbox"/>																																															
<input type="checkbox"/>	<input type="checkbox"/>																																															
<input type="checkbox"/>	<input type="checkbox"/>																																															
<input type="checkbox"/>	<input type="checkbox"/>																																															
<input type="checkbox"/>																																																
<input type="checkbox"/>																																																
<input type="checkbox"/>																																																
<input type="checkbox"/>																																																
MATL	DRN D.CHEW																																															
FINISH	TRCD																																															
SCALE	CHKD S. Jey																																															



IC1	TL072
TR1,3	2SC1681BL
TR2,4	2SA970GR

TOLERANCES
HOLE SIZES AFTER PAINTING

0-3mm	+ 0.10 - 0.00
OVER 3-6mm	+ 0.12 - 0.00
OVER 6-10mm	+ 0.15 - 0.00
OVER 10-18mm	+ 0.18 - 0.00
OVER 12-25mm	+ 0.21 - 0.00
OVER 25mm	+ 0.25 - 0.00

GENERAL TOLERANCE

Delete where not applicable.
± 0.50mm (0.020")
± 0.25mm (0.010")
± 0.12mm (0.005")
HOLE CENTRES ± 0.004"
ALL ANGLES ± 0.50°
Unless otherwise stated.

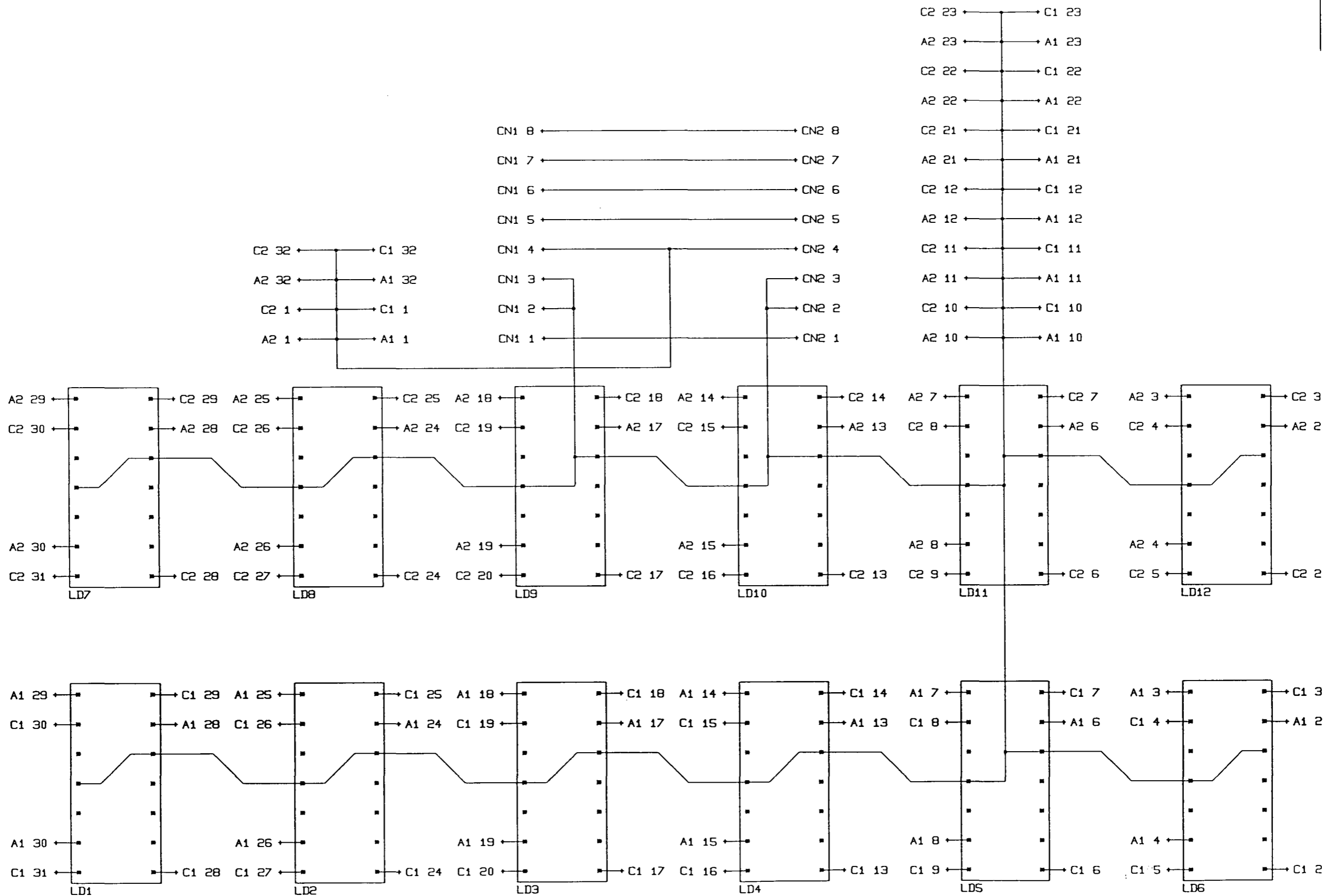
HOLE INDEX

<input type="checkbox"/>	<input type="checkbox"/>
<input type="checkbox"/>	<input type="checkbox"/>
<input type="checkbox"/>	<input type="checkbox"/>
<input type="checkbox"/>	<input type="checkbox"/>

MATL	DRN
FINISH	TRCD
SCALE	CHKD
<p>THIRD ANGLE PROJECTION THIS DRAWING TO COMPLY TO BS308.</p>	

SOUNDCRAFT ELECTRONICS LTD
UNIT 2,
BOREHAMWOOD INDUSTRIAL PARK,
ROWLEY LANE,
BOREHAMWOOD,
HERTFORDSHIRE WD6 5PZ.
TELEPHONE: 01-207-5050
FACSIMILE No 2070194

TITLE
**SAC 2000
H/PHONE**
DRG. No. ED2506



Soundcraft Electronics Limited
own the copyright of this drawing
which is not to be copied, reproduced
or disclosed, in part or whole, to a
third party without written permission.

NOTES

HOLE INDEX



TOLERANCES

HOLE SIZES AFTER PAINTING	
0-3mm	+0.10 -0.00
OVER 3-6mm	+0.12 -0.00
OVER 6-10mm	+0.15 -0.00
OVER 10-18mm	+0.18 -0.00
OVER 18-25mm	+0.21 -0.00
OVER 25mm	+0.25 -0.00

GENERAL TOLERANCES

Delete where not applicable
± 0.50mm (0.020")
± 0.25mm (0.010")
± 0.12mm (0.005")
All angles ± 0.50°
Hole centres ± 0.004"
Unless otherwise stated.

MATL

FINISH

SCALE

DRN

TRCD

CHKD

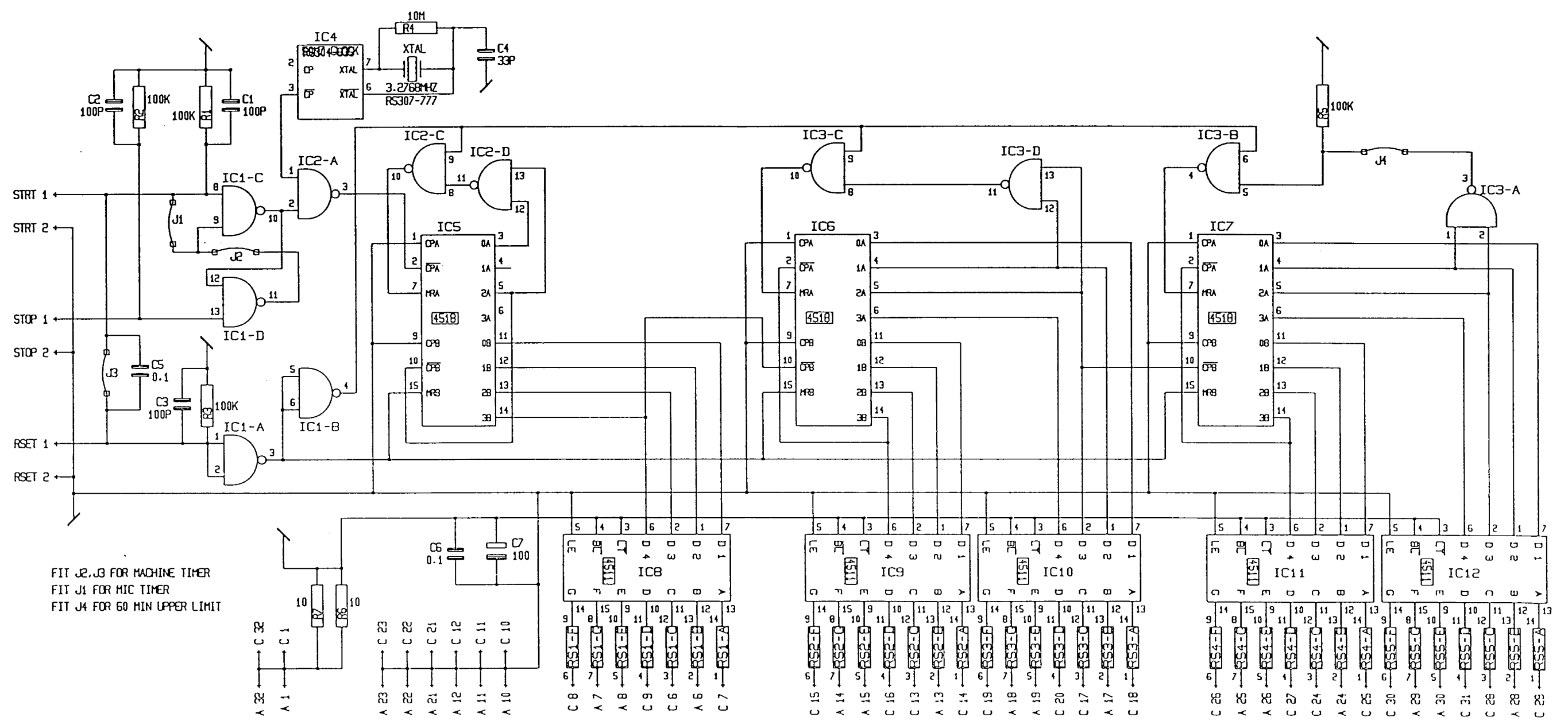


THIRD ANGLE PROJECTION
THIS DRAWING TO COMPLY
TO BS308.

SOUNDCRAFT ELECTRONICS LTD
UNIT 2,
BOREHAMWOOD INDUSTRIAL PARK,
ROWLEY LANE,
BOREHAMWOOD,
HERTFORDSHIRE WD6 5PZ.
TELEPHONE 01-207-5050
FACSIMILE No. 2070194

TITLE SAC 2000
TIMER DISPLAY

DRG No. ED2534



FIT J2, J3 FOR MACHINE TIMER
FIT J1 FOR MIC TIMER
FIT J4 FOR 60 MIN UPPER LIMIT

Soundcraft Electronics Limited own the copyright of this drawing which is not to be copied, reproduced or disclosed, in part or whole, to a third party without written permission.

NOTES

HOLE INDEX	
<input type="checkbox"/>	<input type="checkbox"/>
<input type="checkbox"/>	<input type="checkbox"/>
<input type="checkbox"/>	<input type="checkbox"/>
<input type="checkbox"/>	<input type="checkbox"/>

TOLERANCES	
HOLE SIZES AFTER PAINTING	
0-3mm	+0.10
	-0.00
OVER 3-6mm	+0.12
	-0.00
OVER 6-10mm	+0.15
	-0.00
OVER 10-18mm	+0.08
	-0.00
OVER 18-25mm	+0.21
	-0.00
OVER 25mm	+0.25
	-0.00

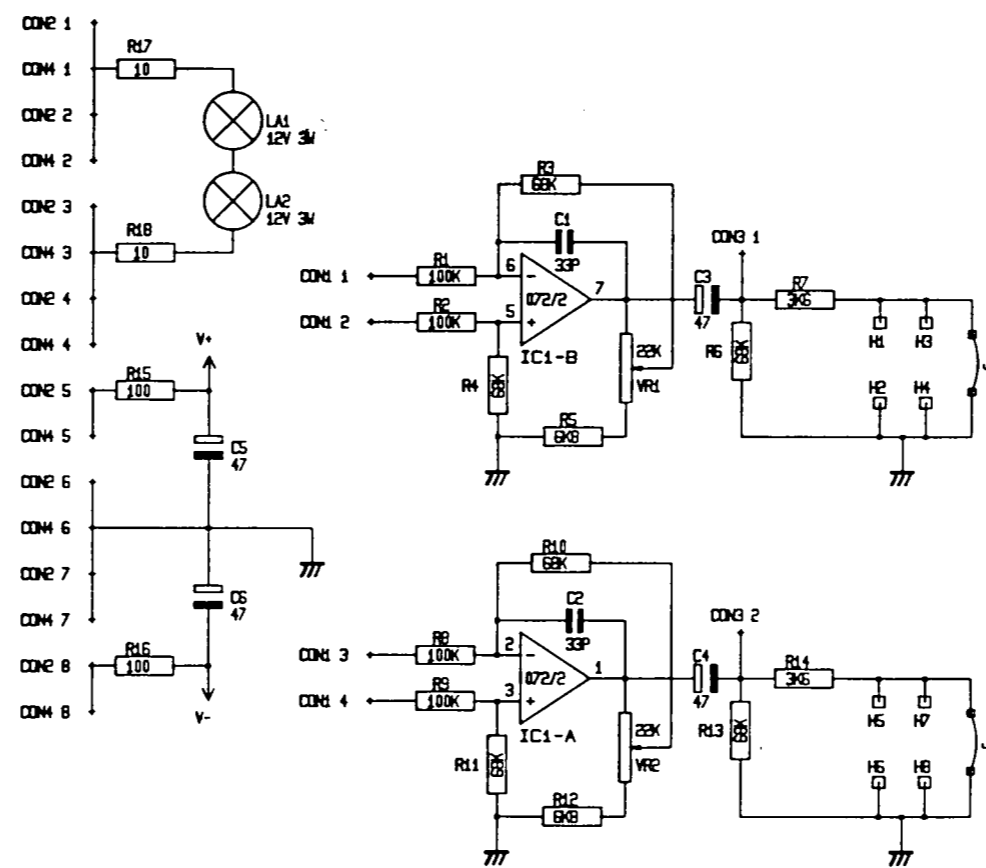
GENERAL TOLERANCES
Delete where not applicable.
± 0.50mm (0.020")
± 0.25mm (0.010")
± 0.12mm (0.005")
All angles: ± 0.50°
Hole centres: ± 0.004"

MATL	DRN
FINISH	TRCD
SCALE	CHKD

THIRD ANGLE PROJECTION
THIS DRAWING TO COMPLY TO BS308.

SOUNDCRAFT ELECTRONICS LTD
UNIT 2,
BOREHAMWOOD INDUSTRIAL PARK,
ROWLEY LANE,
BOREHAMWOOD,
HERTFORDSHIRE WD6 5PZ.
TELEPHONE: 01-207-5050
FACSIMILE No 2070194

TITLE:
SAC 2000 TIMER
ORG No ED2533



Soundcraft Electronics Limited own the copyright of this drawing which is not to be copied, reproduced or disclosed, in part or whole, to a third party without written permission.

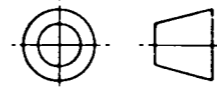
NOTES.

HOLE INDEX.

TOLERANCE.

All imperial dimensions ± 0.010
All metric dimensions $\pm 0.25\text{mm}$
All angles $\pm 0.50^\circ$
Unless otherwise stated.

THIRD ANGLE PROJECTION



MATL.

FINISH.

SCALE.

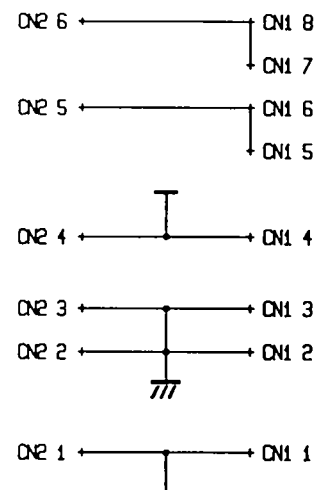
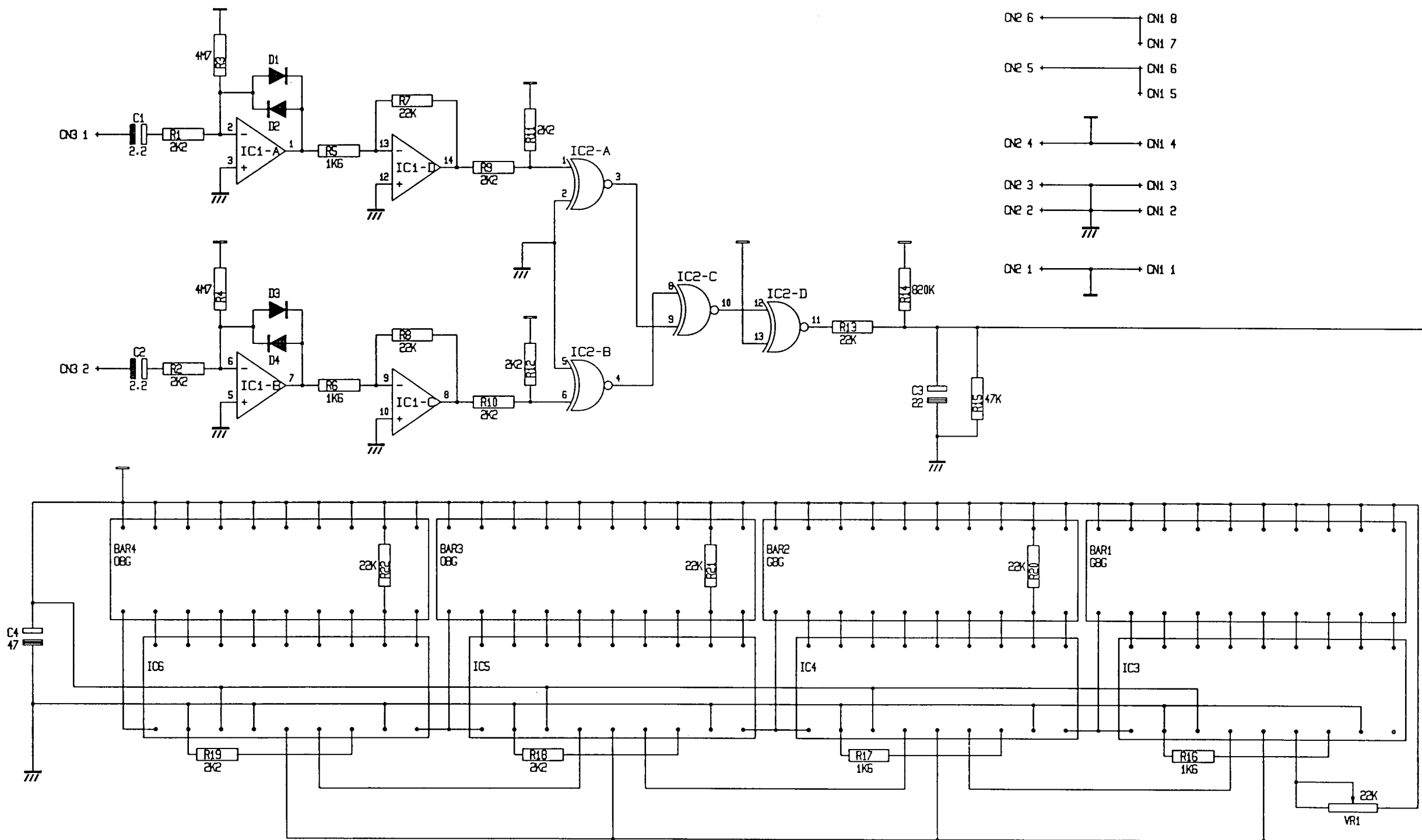
DRG. GHB

TRCD.

CHKD.

SOUNDCRAFT ELECTRONICS LTD.
5-8 GREAT SUTTON STREET
LONDON, EC4V 0BX.
TELEPHONE. 01-251-3631/2/3
TELEGRAMS. SOUNDCRAFT LDN. EC1
TELEX. UK No. 21198. USA No. 01-2203

TITLE. SAC 2000
STEREO METER PCB
SC1484
DRG No. ED2285

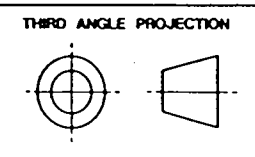


Soundcraft Electronics Limited own the copyright of this drawing which is not to be copied, reproduced or disclosed, in part or whole, to a third party without written permission.

NOTES.

HOLE INDEX.

TOLERANCE.
 All imperial dimensions ±0.010
 All metric dimensions ±0.25mm
 All angles ±0.50°
 Unless otherwise stated.



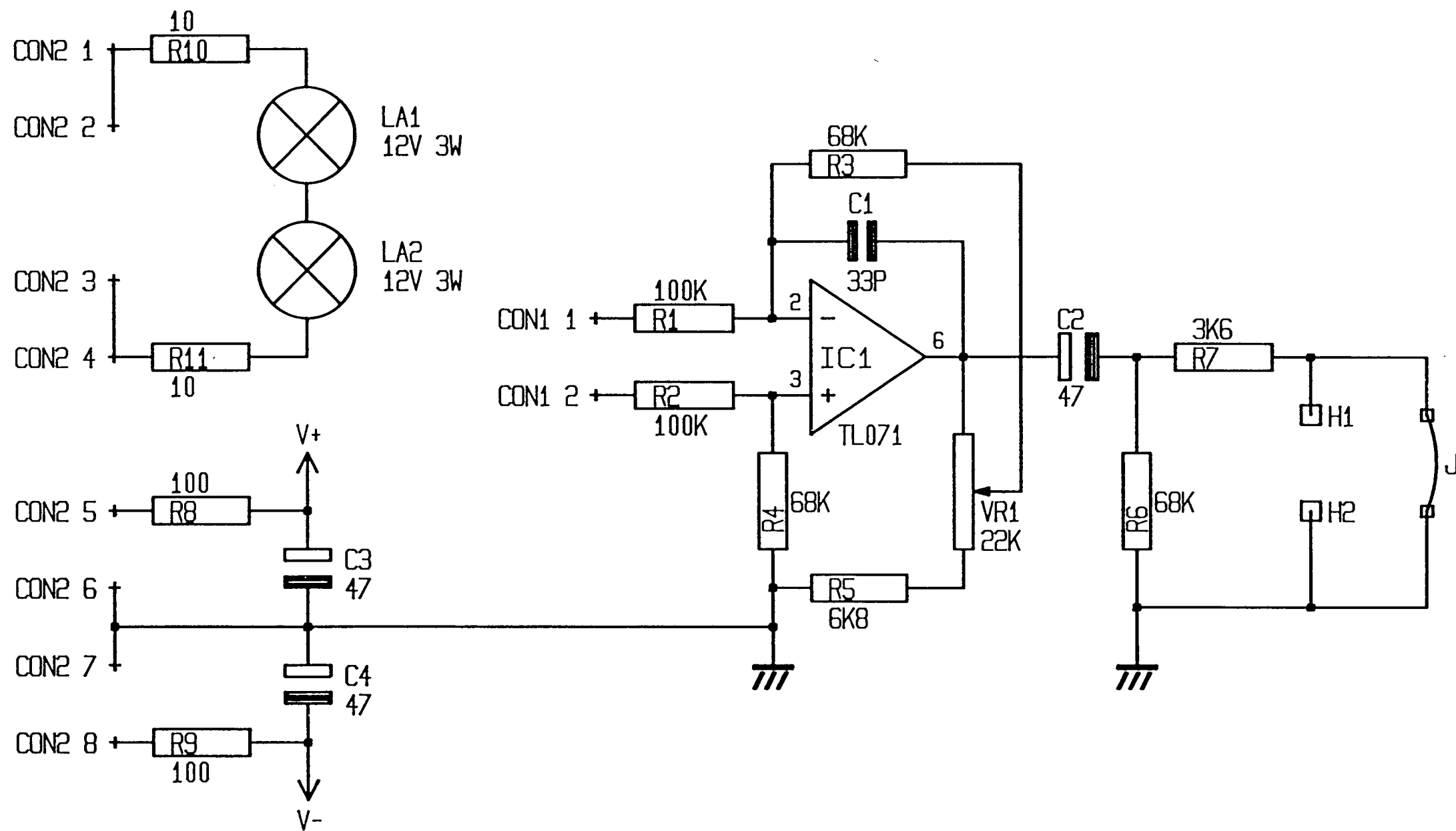
MATL.
 FINISH.
 SCALE.

DRG. TRCD.
 CHKD.

SOUNDCRAFT ELECTRONICS LTD.
 5-8 GREAT SUTTON STREET
 LONDON, EC4V 0BX.
 TELEPHONE. 01-251-3631/2/3
 TELEGRAMS. SOUNDCRAFT LDN. EC1
 TELEX. UK No. 21198. USA No. 01-2203

TITLE TS12 / SAC 2000
 PHASE METER
 FOR SC 14871 P1
 DRG No. ED 2296

ISSUE P1
1-11-85



TOLERANCES
HOLE SIZES AFTER PAINTING

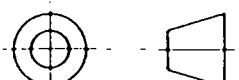
0-3mm	+ 0.10	- 0.00
OVER 3-6mm	+ 0.12	- 0.00
OVER 6-10mm	+ 0.15	- 0.00
OVER 10-18mm	+ 0.18	- 0.00
OVER 18-25mm	+ 0.21	- 0.00
OVER 25mm	+ 0.25	- 0.00

GENERAL TOLERANCE
Delete where not applicable.

± 0.50mm (0.020")
± 0.25mm (0.010")
± 0.12mm (0.005")
HOLE CENTRES ± 0.004"
ALL ANGLES ± 0.50°
Unless otherwise stated.

HOLE INDEX

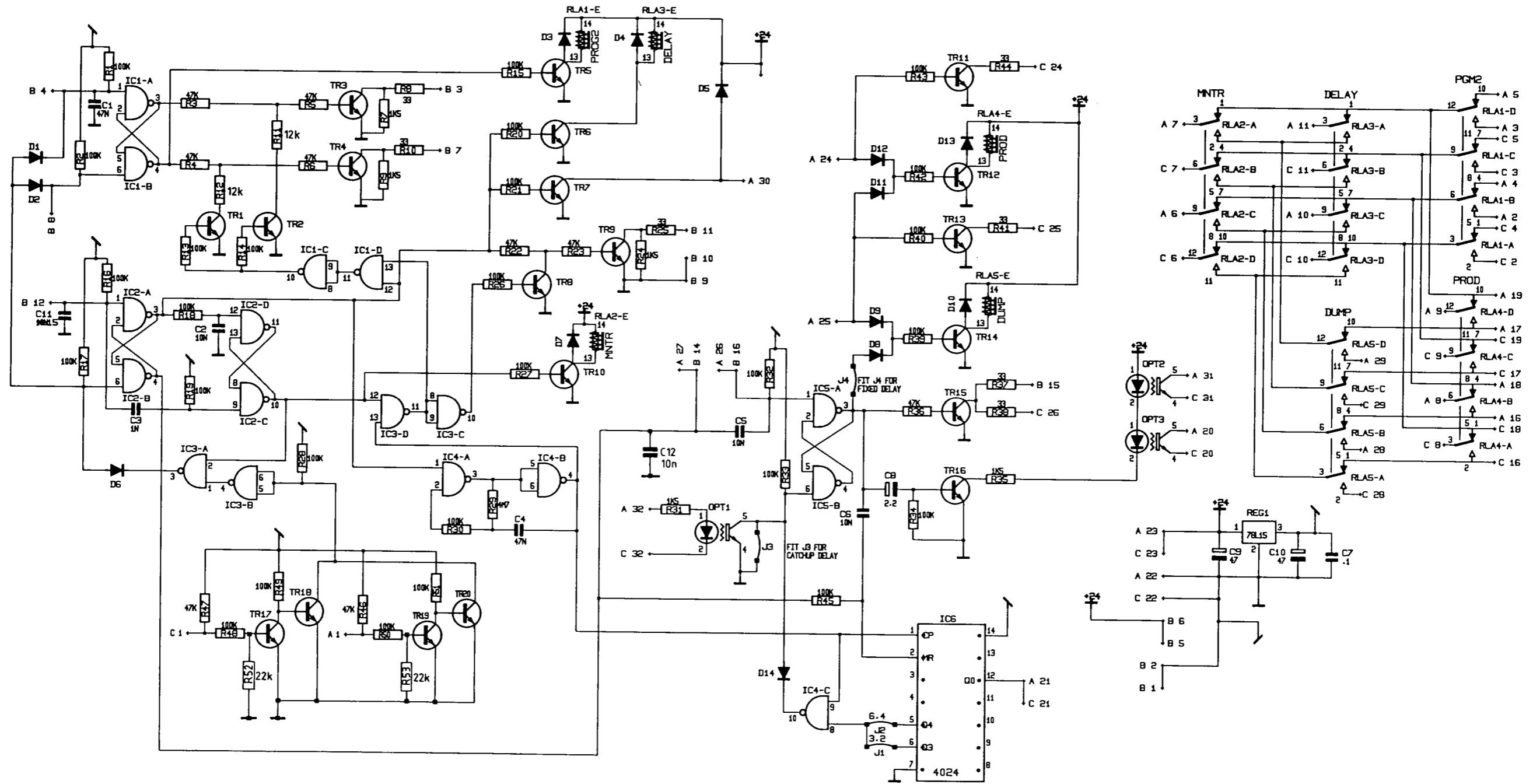
<input type="checkbox"/>	<input type="checkbox"/>
<input type="checkbox"/>	<input type="checkbox"/>
<input type="checkbox"/>	<input type="checkbox"/>
<input type="checkbox"/>	<input type="checkbox"/>

MATL	DRN
FINISH	TRCD
SCALE	CHKD
 THIRD ANGLE PROJECTION THIS DRAWING TO COMPLY TO BS308.	

SOUNDCRAFT ELECTRONICS LTD
UNIT 2,
BOREHAMWOOD INDUSTRIAL PARK,
ROWLEY LANE,
BOREHAMWOOD,
HERTFORDSHIRE WD6 5PZ.
TELEPHONE: 01-207-5050
FACSIMILE No 2070194

TITLE
SAC 2000
MONO METER
(SC2505 ISS.P1)

DRG.No. ED2505



NOTES

Soundcraft Electronics Limited own the copyright of this drawing which is not to be copied, reproduced or disclosed, in part or whole, to a third party without written permission.

HOLE INDEX



TOLERANCES

HOLE SIZES AFTER PAINTING
 0-3mm +0.10
 OVER 3-6mm +0.12
 OVER 6-10mm +0.15
 OVER 10-18mm +0.18
 OVER 18-25mm +0.21
 OVER 25mm +0.25

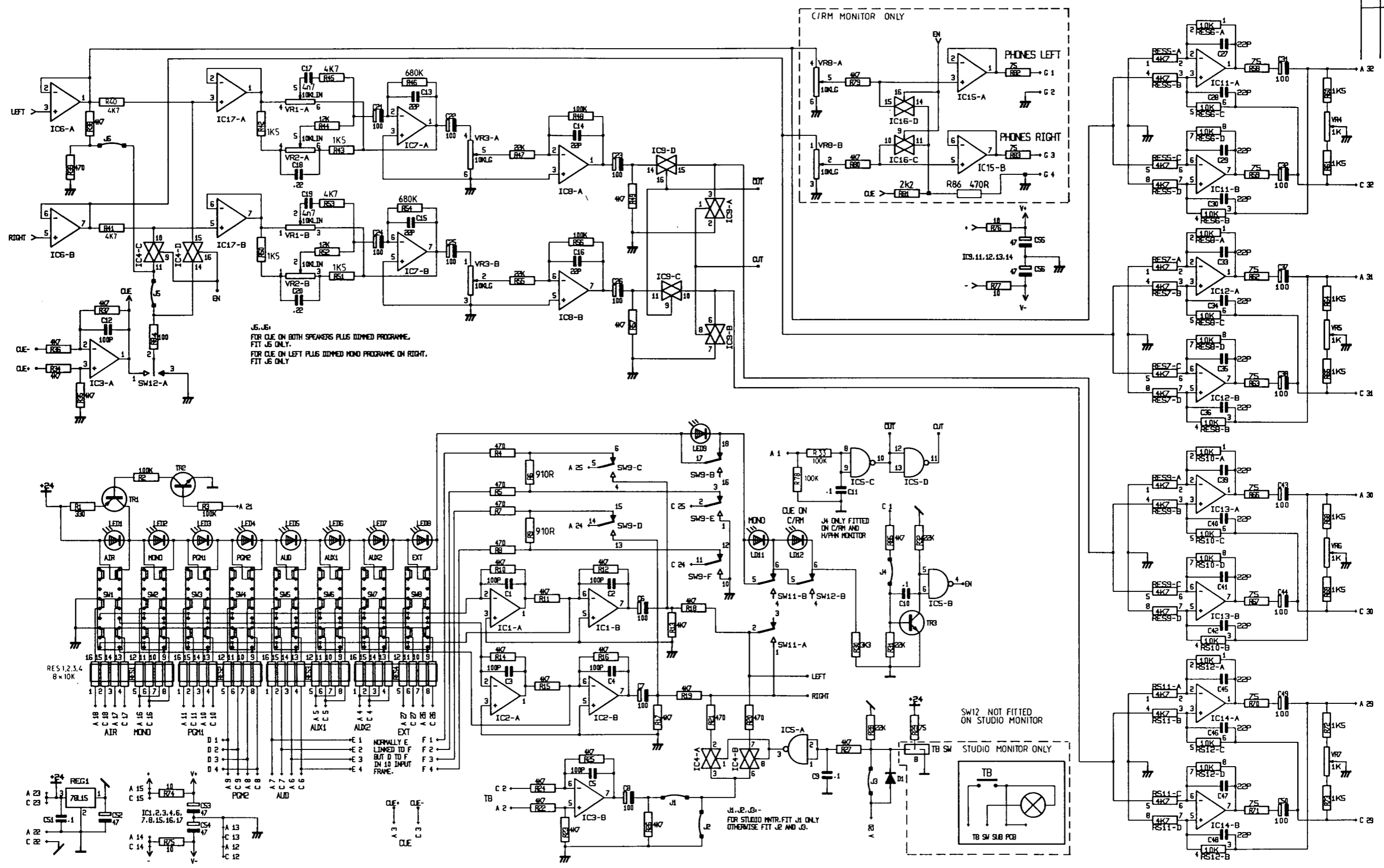
GENERAL TOLERANCES
 Delete where not applicable.
 ± 0.50mm (0.020")
 ± 0.25mm (0.010")
 ± 0.12mm (0.005")
 All angles ± 0.50°
 Hole centres ± 0.004"

MATL	DRN G.H.B
FINISH	TRCD
SCALE	CHKD

THIRD ANGLE PROJECTION
THIS DRAWING TO COMPLY TO BS308.

SOUNDCRAFT ELECTRONICS LTD
 UNIT 2,
 BOREHAMWOOD INDUSTRIAL PARK,
 ROWLEY LANE,
 BOREHAMWOOD,
 HERTFORDSHIRE WD6 5PZ.
 TELEPHONE: 01-207-5050
 FACSIMILE No. 2070194

TITLE. SAC 2000
 AIR CONTROL PCB
 (CIRCUIT DIAGRAM
 (SC1480))
 DRG No. ED 2282



J5, J6
FOR CUE ON BOTH SPEAKERS PLUS DIMPED PROGRAMME.
FIT J5 ONLY.
FOR CUE ON LEFT PLUS DIMPED MONO PROGRAMME ON RIGHT.
FIT J6 ONLY

SW12 NOT FITTED
ON STUDIO MONITOR

J1, J2, J3 -
FOR STUDIO MONITOR FIT J1 ONLY
OTHERWISE FIT J2 AND J3.

NOTES

Soundcraft Electronics Limited own the copyright of this drawing which is not to be copied, reproduced or disclosed, in part or whole, to a third party without written permission.

HOLE INDEX

<input type="checkbox"/>	<input type="checkbox"/>
<input type="checkbox"/>	<input type="checkbox"/>
<input type="checkbox"/>	<input type="checkbox"/>
<input type="checkbox"/>	<input type="checkbox"/>

TOLERANCES

HOLE SIZES AFTER PAINTING	
0-3mm	+0.10
	-0.00
OVER 3-6mm	+0.12
	-0.00
OVER 6-10mm	+0.15
	-0.00
OVER 10-18mm	+0.18
	-0.00
OVER 18-25mm	+0.21
	-0.00
OVER 25mm	+0.25
	-0.00

GENERAL TOLERANCES

Delete where not applicable.
± 0.50mm (0.020")
± 0.25mm (0.010")
± 0.12mm (0.005")
All angles ± 0.50°
Hole centres ± 0.004"

MATL

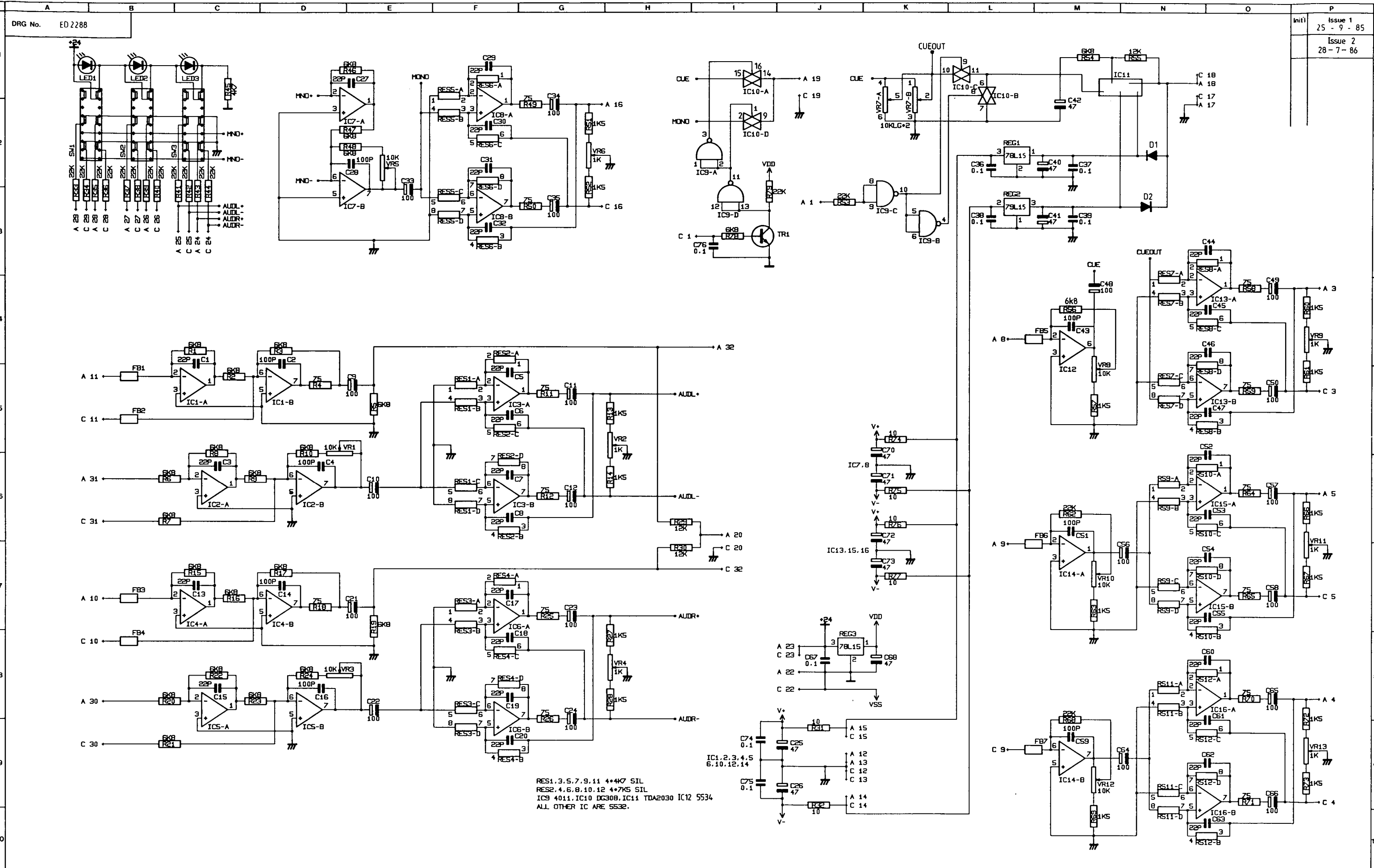
FINISH
SCALE
THIRD ANGLE PROJECTION
THIS DRAWING TO COMPLY TO BS308.

DRN

GHB
TRCD
CHKD

SOUNDCRAFT ELECTRONICS LTD
UNIT 2,
BOREHAMWOOD INDUSTRIAL PARK,
ROWLEY LANE,
BOREHAMWOOD,
HERTFORDSHIRE WD6 5PZ.
TELEPHONE: 01-207-5050
FACSIMILE No. 2070194

TITLE. SAC 2000
C/ROOM - STUDIO MONITOR
CIRCUIT DIAGRAM
(SC1468)
DRG No. ED2289



Issue 1
25 - 9 - 85

Issue 2
28 - 7 - 86

Soundcraft Electronics Limited own the copyright of this drawing which is not to be copied, reproduced or disclosed, in part or whole, to a third party without written permission.

NOTES

HOLE INDEX

<input type="checkbox"/>	<input type="checkbox"/>
<input type="checkbox"/>	<input type="checkbox"/>
<input type="checkbox"/>	<input type="checkbox"/>
<input type="checkbox"/>	<input type="checkbox"/>
<input type="checkbox"/>	<input type="checkbox"/>

TOLERANCES

HOLE SIZES AFTER PAINTING		GENERAL TOLERANCES	
0-3mm	+0.10	Delete where not applicable.	
OVER 3-6mm	+0.12	± 0.50mm (0.020")	
OVER 6-10mm	+0.15	± 0.25mm (0.010")	
OVER 10-18mm	+0.18	± 0.12mm (0.005")	
OVER 18-25mm	+0.21	All angles ± 0.50°	
OVER 25mm	+0.25	Hole centres ± 0.004"	
	-0.00		

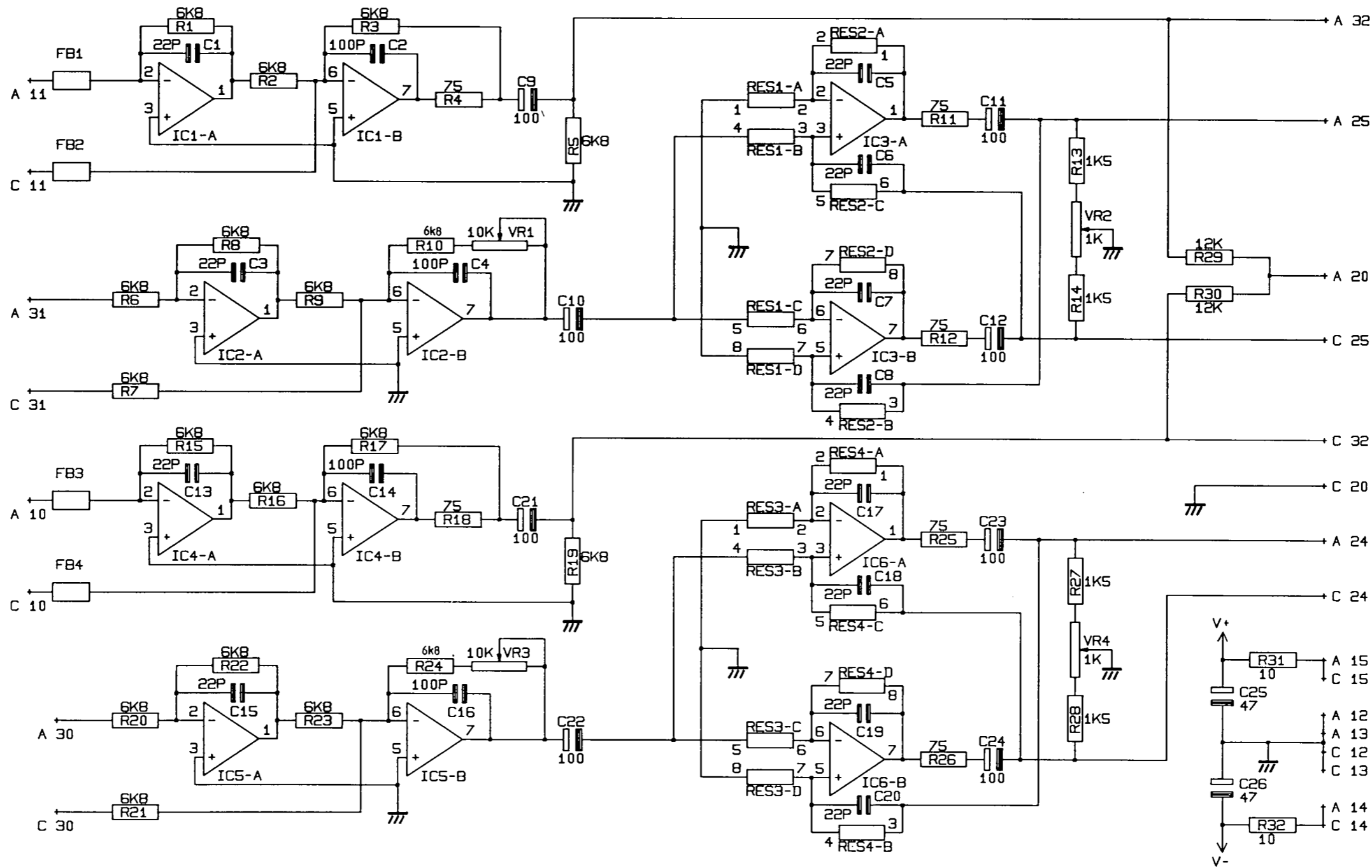
Unless otherwise stated.

MATL	DRN Mark	SOUNDCRAFT ELECTRONICS LTD UNIT 2, BOREHAMWOOD INDUSTRIAL PARK, ROWLEY LANE, BOREHAMWOOD, HERTFORDSHIRE WD6 5PZ. TELEPHONE: 01-207-5050 FACSIMILE No. 2070194
FINISH	TRCD	
SCALE	CHKD	

THIRD ANGLE PROJECTION
THIS DRAWING TO COMPLY TO BS308.

TITLE. SAC 2000
CUE MASTER PCB
CIRCUIT DIAGRAM
(S1475)

DRG No. ED 2288



ALL ICs NE5532

NOTES

Soundcraft Electronics Limited own the copyright of this drawing which is not to be copied, reproduced or disclosed, in part or whole, to a third party without written permission.

HOLE INDEX



TOLERANCES

HOLE SIZES AFTER PAINTING	
0-3mm	+0.10 -0.00
OVER 3-6mm	+0.12 -0.00
OVER 6-10mm	+0.15 -0.00
OVER 10-18mm	+0.18 -0.00
OVER 18-25mm	+0.21 -0.00
OVER 25mm	+0.25 -0.00

GENERAL TOLERANCES

Delete where not applicable.
 ± 0.50mm (0.020")
 ± 0.25mm (0.010")
 ± 0.12mm (0.005")
 All angles ± 0.50°
 Hole centres ± 0.004"

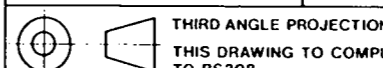
MATL

FINISH	DRN
SCALE	TRCD
	CHKD

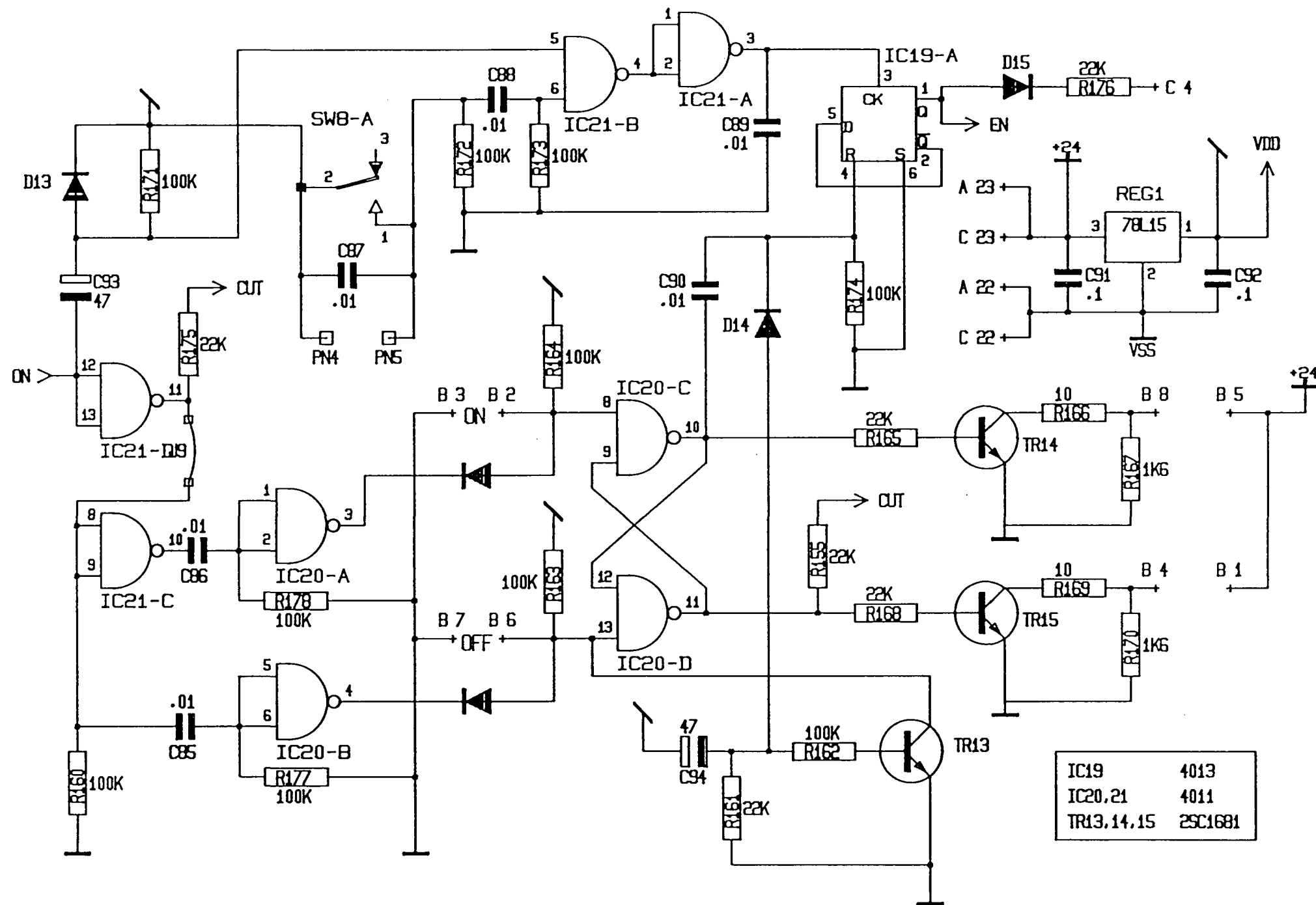
SOUNDCRAFT ELECTRONICS LTD
 UNIT 2,
 BOREHAMWOOD INDUSTRIAL PARK,
 ROWLEY LANE,
 BOREHAMWOOD,
 HERTFORDSHIRE WD6 5PZ.
 TELEPHONE: 01-207-5050
 FACSIMILE No. 2070194

TITLE:
 SAC 2000 STEREO SUM PCB

DRG No. E02294



Unless otherwise stated.



TOLERANCES
HOLE SIZES AFTER PAINTING

0-3mm	+ 0.10
	- 0.00
OVER 3-6mm	+ 0.12
	- 0.00
OVER 6-10mm	+ 0.15
	- 0.00
OVER 10-18mm	+ 0.18
	- 0.00
OVER 18-25mm	+ 0.21
	- 0.00
OVER 25mm	+ 0.25
	- 0.00

GENERAL TOLERANCE
Delete where not applicable

± 0.50mm (0.020")
± 0.25mm (0.010")
± 0.12mm (0.005")

HOLE CENTRES ± 0.004"
ALL ANGLES ± 0.5°
Unless otherwise stated.

HOLE INDEX

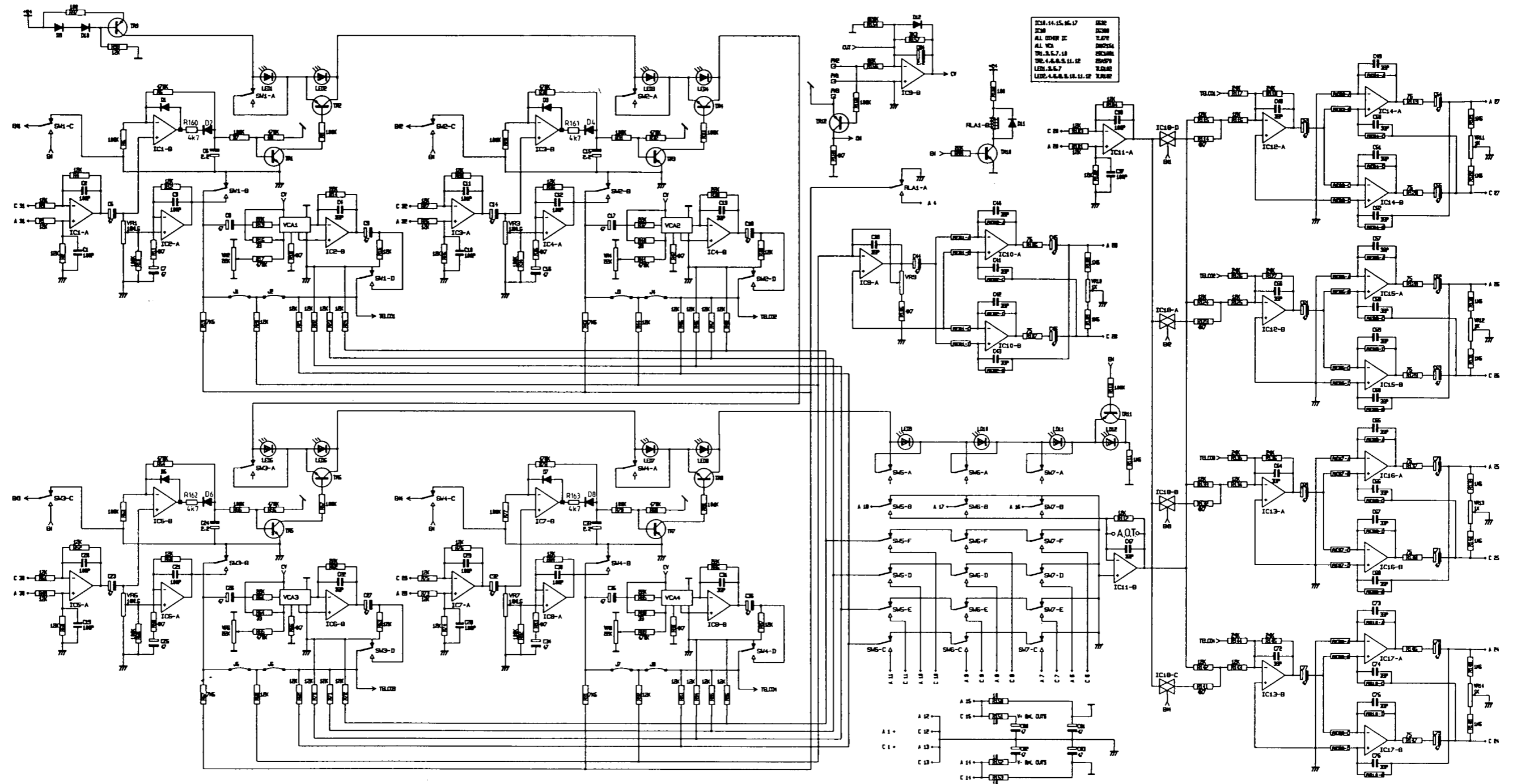
<input type="checkbox"/>	<input type="checkbox"/>
<input type="checkbox"/>	<input type="checkbox"/>
<input type="checkbox"/>	<input type="checkbox"/>
<input type="checkbox"/>	<input type="checkbox"/>

MATL	DRN
FINISH	TRCD
SCALE	CHKD
THIRD ANGLE PROJECTION	
THIS DRAWING TO COMPLY TO BS308	

SOUNDCRAFT ELECTRONICS LTD
UNIT 2,
BOREHAMWOOD INDUSTRIAL PARK,
ROWLEY LANE,
BOREHAMWOOD,
HERTFORDSHIRE WD6 5PZ.
TELEPHONE 01 207 5050
FACSIMILE No 2070194

TITLE
SAC 2000 TELCO
LOGIC

DRG No ED2274



NOTES

Soundcraft Electronics Limited own the copyright of this drawing which is not to be copied, reproduced or disclosed, in part or whole, to a third party without written permission.

HOLE INDEX



TOLERANCES

HOLE SIZES AFTER PAINTING	
0-3mm	+0.10
	-0.00
OVER 3-6mm	+0.12
	-0.00
OVER 6-10mm	+0.15
	-0.00
OVER 10-18mm	+0.18
	-0.00
OVER 18-25mm	+0.21
	-0.00
OVER 25mm	+0.25
	-0.00

Unless otherwise stated.

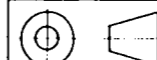
GENERAL TOLERANCES

Delete where not applicable.
 ± 0.50mm (0.020")
 ± 0.25mm (0.010")
 ± 0.12mm (0.005")
 All angles ± 0.5°
 Hole centres ± 0.004"

MATL

FINISH

SCALE



THIRD ANGLE PROJECTION
 THIS DRAWING TO COMPLY TO BS308.

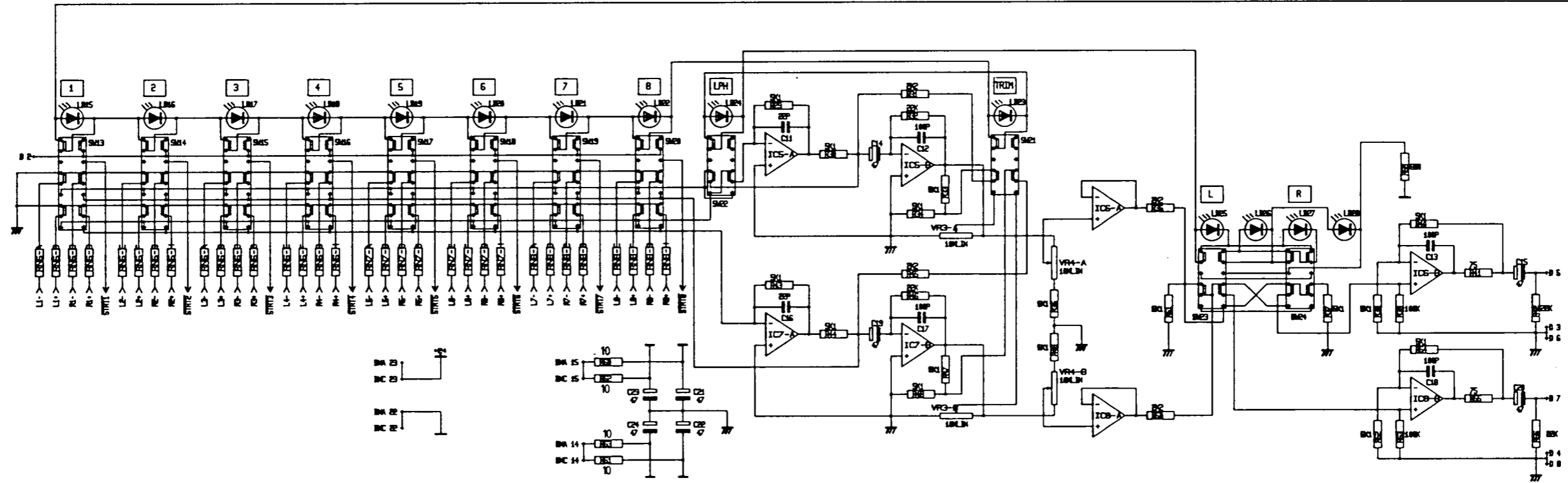
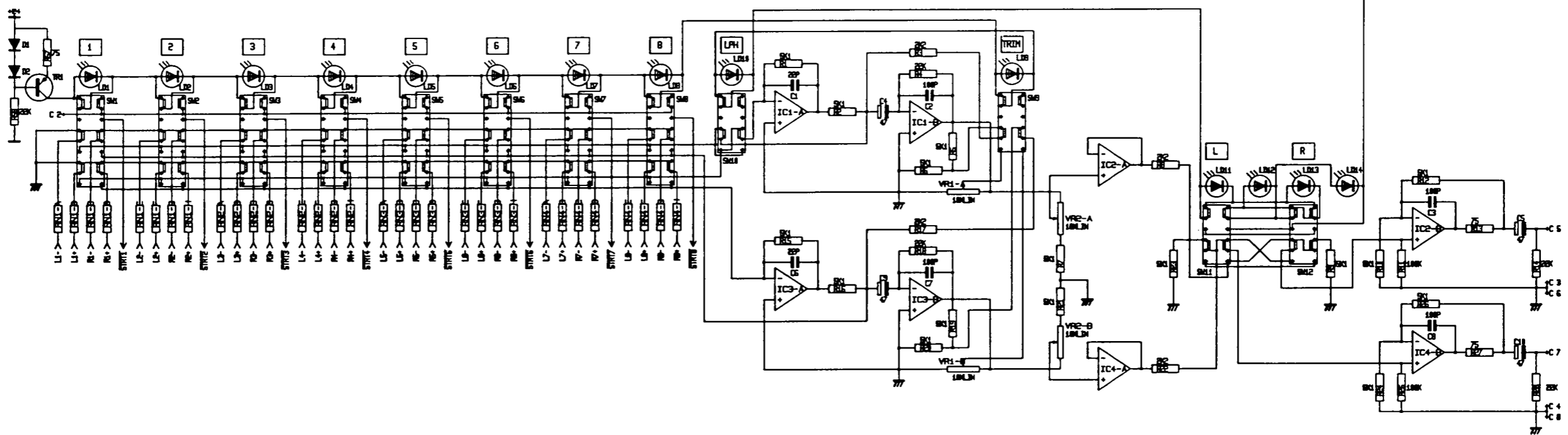
DRN

TRCD

CHKD

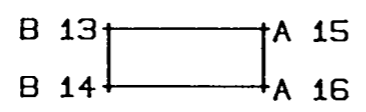
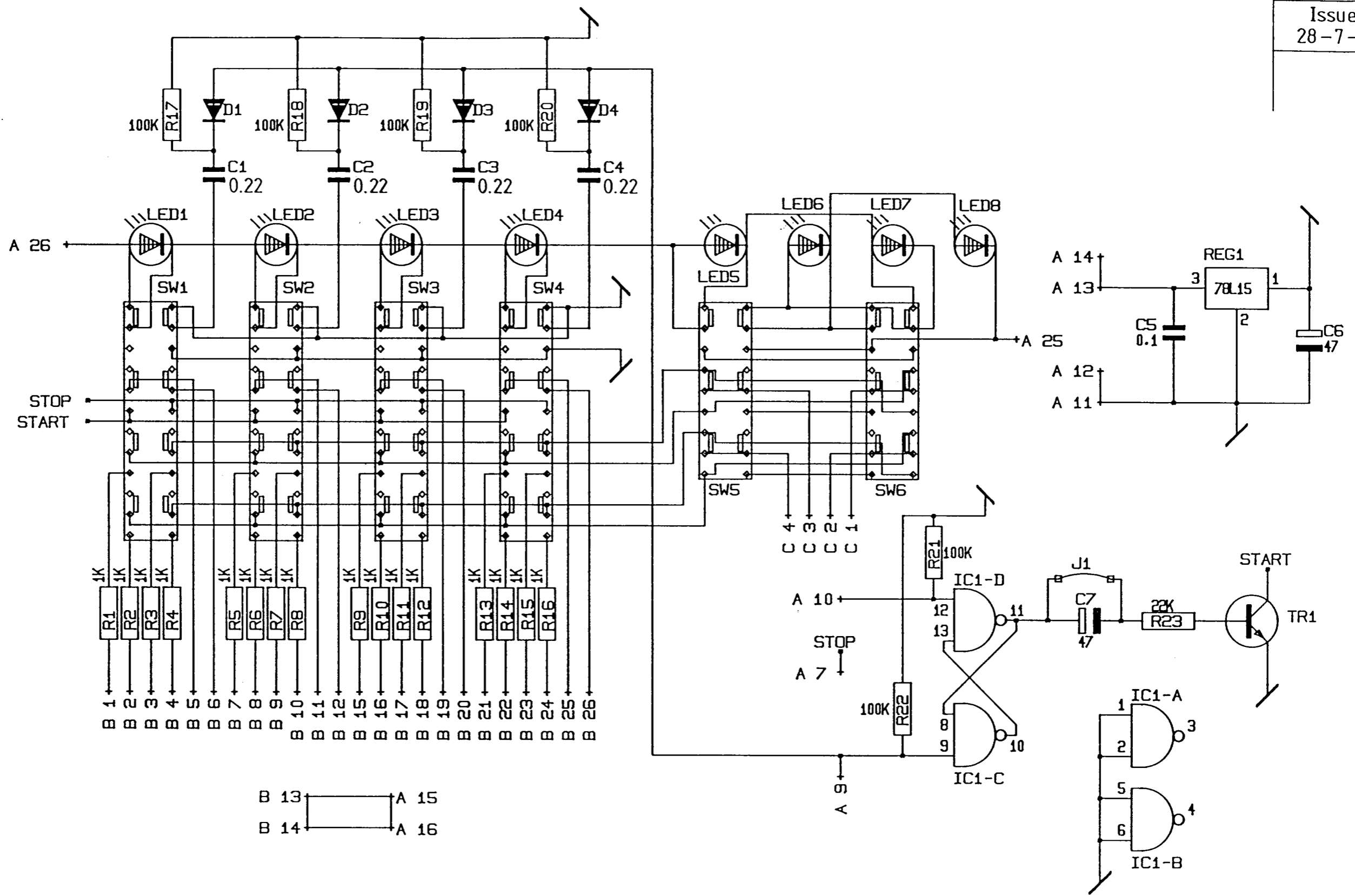
SOUNDCRAFT ELECTRONICS LTD
 UNIT 2,
 BOREHAMWOOD INDUSTRIAL PARK,
 ROWLEY LANE,
 BOREHAMWOOD,
 HERTFORDSHIRE WD6 5PZ.
 TELEPHONE 01-207-5050
 FACSIMILE No 2070194

TITLE:
 SAC 2000 TELCO AUDIO



- A1 → U1
- A2 → U1
- A3 → R1
- A4 → R1
- A5 → STMT
- A6 → U2
- A7 → R2
- A8 → R2
- A9 → R2
- A10 → STMT
- A11 → STMT
- A12 → U3
- A13 → R3
- A14 → R3
- A15 → R3
- A16 → STMT
- A17 → U4
- A18 → R4
- A19 → R4
- A20 → R4
- A21 → STMT
- A22 → U5
- A23 → R5
- A24 → R5
- A25 → R5
- A26 → STMT
- A27 → U6
- A28 → R6
- A29 → R6
- A30 → R6
- A31 → STMT
- A32 → U7
- A33 → R7
- A34 → R7
- A35 → R7
- A36 → STMT
- A37 → U8
- A38 → R8
- A39 → R8
- A40 → R8
- A41 → STMT
- A42 → U9
- A43 → R9
- A44 → R9
- A45 → R9
- A46 → STMT
- A47 → U10
- A48 → R10
- A49 → R10
- A50 → R10
- A51 → STMT
- A52 → U11
- A53 → R11
- A54 → R11
- A55 → R11
- A56 → STMT
- A57 → U12
- A58 → R12
- A59 → R12
- A60 → R12
- A61 → STMT
- A62 → U13
- A63 → R13
- A64 → R13
- A65 → R13
- A66 → STMT
- A67 → U14
- A68 → R14
- A69 → R14
- A70 → R14
- A71 → STMT
- A72 → U15
- A73 → R15
- A74 → R15
- A75 → R15
- A76 → STMT
- A77 → U16
- A78 → R16
- A79 → R16
- A80 → R16
- A81 → STMT
- A82 → U17
- A83 → R17
- A84 → R17
- A85 → R17
- A86 → STMT
- A87 → U18
- A88 → R18
- A89 → R18
- A90 → R18
- A91 → STMT
- A92 → U19
- A93 → R19
- A94 → R19
- A95 → R19
- A96 → STMT
- A97 → U20
- A98 → R20
- A99 → R20
- A100 → R20
- A101 → STMT
- A102 → U21
- A103 → R21
- A104 → R21
- A105 → R21
- A106 → STMT
- A107 → U22
- A108 → R22
- A109 → R22
- A110 → R22
- A111 → STMT
- A112 → U23
- A113 → R23
- A114 → R23
- A115 → R23
- A116 → STMT
- A117 → U24
- A118 → R24
- A119 → R24
- A120 → R24
- A121 → STMT
- A122 → U25
- A123 → R25
- A124 → R25
- A125 → R25
- A126 → STMT
- A127 → U26
- A128 → R26
- A129 → R26
- A130 → R26
- A131 → STMT
- A132 → U27
- A133 → R27
- A134 → R27
- A135 → R27
- A136 → STMT
- A137 → U28
- A138 → R28
- A139 → R28
- A140 → R28
- A141 → STMT
- A142 → U29
- A143 → R29
- A144 → R29
- A145 → R29
- A146 → STMT
- A147 → U30
- A148 → R30
- A149 → R30
- A150 → R30
- A151 → STMT
- A152 → U31
- A153 → R31
- A154 → R31
- A155 → R31
- A156 → STMT
- A157 → U32
- A158 → R32
- A159 → R32
- A160 → R32
- A161 → STMT
- A162 → U33
- A163 → R33
- A164 → R33
- A165 → R33
- A166 → STMT
- A167 → U34
- A168 → R34
- A169 → R34
- A170 → R34
- A171 → STMT
- A172 → U35
- A173 → R35
- A174 → R35
- A175 → R35
- A176 → STMT
- A177 → U36
- A178 → R36
- A179 → R36
- A180 → R36
- A181 → STMT
- A182 → U37
- A183 → R37
- A184 → R37
- A185 → R37
- A186 → STMT
- A187 → U38
- A188 → R38
- A189 → R38
- A190 → R38
- A191 → STMT
- A192 → U39
- A193 → R39
- A194 → R39
- A195 → R39
- A196 → STMT
- A197 → U40
- A198 → R40
- A199 → R40
- A200 → R40
- A201 → STMT
- A202 → U41
- A203 → R41
- A204 → R41
- A205 → R41
- A206 → STMT
- A207 → U42
- A208 → R42
- A209 → R42
- A210 → R42
- A211 → STMT
- A212 → U43
- A213 → R43
- A214 → R43
- A215 → R43
- A216 → STMT
- A217 → U44
- A218 → R44
- A219 → R44
- A220 → R44
- A221 → STMT
- A222 → U45
- A223 → R45
- A224 → R45
- A225 → R45
- A226 → STMT
- A227 → U46
- A228 → R46
- A229 → R46
- A230 → R46
- A231 → STMT
- A232 → U47
- A233 → R47
- A234 → R47
- A235 → R47
- A236 → STMT
- A237 → U48
- A238 → R48
- A239 → R48
- A240 → R48
- A241 → STMT
- A242 → U49
- A243 → R49
- A244 → R49
- A245 → R49
- A246 → STMT
- A247 → U50
- A248 → R50
- A249 → R50
- A250 → R50
- A251 → STMT
- A252 → U51
- A253 → R51
- A254 → R51
- A255 → R51
- A256 → STMT
- A257 → U52
- A258 → R52
- A259 → R52
- A260 → R52
- A261 → STMT
- A262 → U53
- A263 → R53
- A264 → R53
- A265 → R53
- A266 → STMT
- A267 → U54
- A268 → R54
- A269 → R54
- A270 → R54
- A271 → STMT
- A272 → U55
- A273 → R55
- A274 → R55
- A275 → R55
- A276 → STMT
- A277 → U56
- A278 → R56
- A279 → R56
- A280 → R56
- A281 → STMT
- A282 → U57
- A283 → R57
- A284 → R57
- A285 → R57
- A286 → STMT
- A287 → U58
- A288 → R58
- A289 → R58
- A290 → R58
- A291 → STMT
- A292 → U59
- A293 → R59
- A294 → R59
- A295 → R59
- A296 → STMT
- A297 → U60
- A298 → R60
- A299 → R60
- A300 → R60
- A301 → STMT
- A302 → U61
- A303 → R61
- A304 → R61
- A305 → R61
- A306 → STMT
- A307 → U62
- A308 → R62
- A309 → R62
- A310 → R62
- A311 → STMT
- A312 → U63
- A313 → R63
- A314 → R63
- A315 → R63
- A316 → STMT
- A317 → U64
- A318 → R64
- A319 → R64
- A320 → R64
- A321 → STMT
- A322 → U65
- A323 → R65
- A324 → R65
- A325 → R65
- A326 → STMT
- A327 → U66
- A328 → R66
- A329 → R66
- A330 → R66
- A331 → STMT
- A332 → U67
- A333 → R67
- A334 → R67
- A335 → R67
- A336 → STMT
- A337 → U68
- A338 → R68
- A339 → R68
- A340 → R68
- A341 → STMT
- A342 → U69
- A343 → R69
- A344 → R69
- A345 → R69
- A346 → STMT
- A347 → U70
- A348 → R70
- A349 → R70
- A350 → R70
- A351 → STMT
- A352 → U71
- A353 → R71
- A354 → R71
- A355 → R71
- A356 → STMT
- A357 → U72
- A358 → R72
- A359 → R72
- A360 → R72
- A361 → STMT
- A362 → U73
- A363 → R73
- A364 → R73
- A365 → R73
- A366 → STMT
- A367 → U74
- A368 → R74
- A369 → R74
- A370 → R74
- A371 → STMT
- A372 → U75
- A373 → R75
- A374 → R75
- A375 → R75
- A376 → STMT
- A377 → U76
- A378 → R76
- A379 → R76
- A380 → R76
- A381 → STMT
- A382 → U77
- A383 → R77
- A384 → R77
- A385 → R77
- A386 → STMT
- A387 → U78
- A388 → R78
- A389 → R78
- A390 → R78
- A391 → STMT
- A392 → U79
- A393 → R79
- A394 → R79
- A395 → R79
- A396 → STMT
- A397 → U80
- A398 → R80
- A399 → R80
- A400 → R80
- A401 → STMT
- A402 → U81
- A403 → R81
- A404 → R81
- A405 → R81
- A406 → STMT
- A407 → U82
- A408 → R82
- A409 → R82
- A410 → R82
- A411 → STMT
- A412 → U83
- A413 → R83
- A414 → R83
- A415 → R83
- A416 → STMT
- A417 → U84
- A418 → R84
- A419 → R84
- A420 → R84
- A421 → STMT
- A422 → U85
- A423 → R85
- A424 → R85
- A425 → R85
- A426 → STMT
- A427 → U86
- A428 → R86
- A429 → R86
- A430 → R86
- A431 → STMT
- A432 → U87
- A433 → R87
- A434 → R87
- A435 → R87
- A436 → STMT
- A437 → U88
- A438 → R88
- A439 → R88
- A440 → R88
- A441 → STMT
- A442 → U89
- A443 → R89
- A444 → R89
- A445 → R89
- A446 → STMT
- A447 → U90
- A448 → R90
- A449 → R90
- A450 → R90
- A451 → STMT
- A452 → U91
- A453 → R91
- A454 → R91
- A455 → R91
- A456 → STMT
- A457 → U92
- A458 → R92
- A459 → R92
- A460 → R92
- A461 → STMT
- A462 → U93
- A463 → R93
- A464 → R93
- A465 → R93
- A466 → STMT
- A467 → U94
- A468 → R94
- A469 → R94
- A470 → R94
- A471 → STMT
- A472 → U95
- A473 → R95
- A474 → R95
- A475 → R95
- A476 → STMT
- A477 → U96
- A478 → R96
- A479 → R96
- A480 → R96
- A481 → STMT
- A482 → U97
- A483 → R97
- A484 → R97
- A485 → R97
- A486 → STMT
- A487 → U98
- A488 → R98
- A489 → R98
- A490 → R98
- A491 → STMT
- A492 → U99
- A493 → R99
- A494 → R99
- A495 → R99
- A496 → STMT
- A497 → U100
- A498 → R100
- A499 → R100
- A500 → R100
- A501 → STMT
- A502 → U101
- A503 → R101
- A504 → R101
- A505 → R101
- A506 → STMT
- A507 → U102
- A508 → R102
- A509 → R102
- A510 → R102
- A511 → STMT
- A512 → U103
- A513 → R103
- A514 → R103
- A515 → R103
- A516 → STMT
- A517 → U104
- A518 → R104
- A519 → R104
- A520 → R104
- A521 → STMT
- A522 → U105
- A523 → R105
- A524 → R105
- A525 → R105
- A526 → STMT
- A527 → U106
- A528 → R106
- A529 → R106
- A530 → R106
- A531 → STMT
- A532 → U107
- A533 → R107
- A534 → R107
- A535 → R107
- A536 → STMT
- A537 → U108
- A538 → R108
- A539 → R108
- A540 → R108
- A541 → STMT
- A542 → U109
- A543 → R109
- A544 → R109
- A545 → R109
- A546 → STMT
- A547 → U110
- A548 → R110
- A549 → R110
- A550 → R110
- A551 → STMT
- A552 → U111
- A553 → R111
- A554 → R111
- A555 → R111
- A556 → STMT
- A557 → U112
- A558 → R112
- A559 → R112
- A560 → R112
- A561 → STMT
- A562 → U113
- A563 → R113
- A564 → R113
- A565 → R113
- A566 → STMT
- A567 → U114
- A568 → R114
- A569 → R114
- A570 → R114
- A571 → STMT
- A572 → U115
- A573 → R115
- A574 → R115
- A575 → R115
- A576 → STMT
- A577 → U116
- A578 → R116
- A579 → R116
- A580 → R116
- A581 → STMT
- A582 → U117
- A583 → R117
- A584 → R117
- A585 → R117
- A586 → STMT
- A587 → U118
- A588 → R118
- A589 → R118
- A590 → R118
- A591 → STMT
- A592 → U119
- A593 → R119
- A594 → R119
- A595 → R119
- A596 → STMT
- A597 → U120
- A598 → R120
- A599 → R120
- A600 → R120
- A601 → STMT
- A602 → U121
- A603 → R121
- A604 → R121
- A605 → R121
- A606 → STMT
- A607 → U122
- A608 → R122
- A609 → R122
- A610 → R122
- A611 → STMT
- A612 → U123
- A613 → R123
- A614 → R123
- A615 → R123
- A616 → STMT
- A617 → U124
- A618 → R124
- A619 → R124
- A620 → R124
- A621 → STMT
- A622 → U125
- A623 → R125
- A624 → R125
- A625 → R125
- A626 → STMT
- A627 → U126
- A628 → R126
- A629 → R126
- A630 → R126
- A631 → STMT
- A632 → U127
- A633 → R127
- A634 → R127
- A635 → R127
- A636 → STMT
- A637 → U128
- A638 → R128
- A639 → R128
- A640 → R128
- A641 → STMT
- A642 → U129
- A643 → R129
- A644 → R129
- A645 → R129
- A646 → STMT
- A647 → U130
- A648 → R130
- A649 → R130
- A650 → R130
- A651 → STMT
- A652 → U131
- A653 → R131
- A654 → R131
- A655 → R131
- A656 → STMT
- A657 → U132
- A658 → R132
- A659 → R132
- A660 → R132
- A661 → STMT
- A662 → U133
- A663 → R133
- A664 → R133
- A665 → R133
- A666 → STMT
- A667 → U134
- A668 → R134
- A669 → R134
- A670 → R134
- A671 → STMT
- A672 → U135
- A673 → R135
- A674 → R135
- A675 → R135
- A676 → STMT
- A677 → U136
- A678 → R136
- A679 → R136
- A680 → R136
- A681 → STMT
- A682 → U137
- A683 → R137
- A684 → R137
- A685 → R137
- A686 → STMT
- A687 → U138
- A688 → R138
- A689 → R138
- A690 → R138
- A691 → STMT
- A692 → U139
- A693 → R139
- A694 → R139
- A695 → R139
- A696 → STMT
- A697 → U140
- A698 → R140
- A699 → R140
- A700 → R140
- A701 → STMT
- A702 → U141
- A703 → R141
- A704 → R141
- A705 → R141
- A706 → STMT
- A707 → U142
- A708 → R142
- A709 → R142
- A710 → R142
- A711 → STMT
- A712 → U143
- A713 → R143
- A714 → R143
- A715 → R143
- A716 → STMT
- A717 → U144
- A718 → R144
- A719 → R144
- A720 → R144
- A721 → STMT
- A722 → U145
- A723 → R145
- A724 → R145
- A725 → R145
- A726 → STMT
- A727 → U146
- A728 → R146
- A729 → R146
- A730 → R146
- A731 → STMT
- A732 → U147
- A733 → R147
- A734 → R147
- A735 → R147
- A736 → STMT
- A737 → U148
- A738 → R148
- A739 → R148
- A740 → R148
- A741 → STMT
- A742 → U149
- A743 → R149
- A744 → R149
- A745 → R149
- A746 → STMT
- A747 → U150
- A748 → R150
- A749 → R150
- A750 → R150
- A751 → STMT
- A752 → U151
- A753 → R151
- A754 → R151
- A755 → R151
- A756 → STMT
- A757 → U152
- A758 → R152
- A759 → R152
- A760 → R152
- A761 → STMT
- A762 → U153
- A763 → R153
- A764 → R153
- A765 → R153
- A766 → STMT
- A767 → U154
- A768 → R154
- A769 → R154
- A770 → R154
- A771 → STMT
- A772 → U155
- A773 → R155
- A774 → R155
- A775 → R155
- A776 → STMT
- A777 → U156
- A778 → R156
- A779 → R156
- A780 → R156
- A781 → STMT
- A782 → U157
- A783 → R157
- A784 → R157
- A785 → R157
- A786 → STMT
- A787 → U158
- A788 → R158
- A789 → R158
- A790 → R158
- A791 → STMT
- A792 → U159
- A793 → R159
- A794 → R159
- A795 → R159
- A796 → STMT
- A797 → U160
- A798 → R160
- A799 → R160
- A800 → R160
- A801 → STMT
- A802 → U161
- A803 → R161
- A804 → R161
- A805 → R161
- A806 → STMT
- A807 → U162
- A808 → R162
- A809 → R162
- A810 → R162
- A811 → STMT
- A812 → U163
- A813 → R163
- A814 → R163
- A815 → R163
- A816 → STMT
- A817 → U164
- A818 → R164
- A819 → R164
- A820 → R164
- A821 → STMT
- A822 → U165
- A823 → R165
- A824 → R165
- A825 → R165
- A826 → STMT
- A827 → U166
- A828 → R166
- A829 → R166
- A830 → R166
- A831 → STMT
- A832 → U167
- A833 → R167
- A834 → R167
- A835 → R167
- A836 → STMT
- A837 → U168
- A838 → R168
- A839 → R168
- A840 → R168
- A841 → STMT
- A842 → U169
- A843 → R169
- A844 → R169
- A845 → R169
- A846 → STMT
- A847 → U170
- A848 → R170
- A849 → R170
- A850 → R170
- A851 → STMT
- A852 → U171
- A853 → R171
- A854 → R171
- A855 → R171
- A856 → STMT
- A857 → U172
- A858 → R172
- A859 → R172
- A860 → R172
- A861 → STMT
- A862 → U173
- A863 → R173
- A864 → R173
- A865 → R173
- A866 → STMT
- A867 → U174
- A868 → R174
- A869 → R174
- A870 → R174
- A871 → STMT
- A872 → U175
- A873 → R175
- A874 → R175
- A875 → R175
- A876 → STMT
- A877 → U176
- A878 → R176
- A879 → R176
- A880 → R176
- A881 → STMT
- A882 → U177
- A883 → R177
- A884 → R177
- A885 → R177
- A886 → STMT
- A887 → U178
- A888 → R178
- A889 → R178
- A890 → R178
- A891 → STMT
- A892 → U179
- A893 → R179
- A894 → R179
- A895 → R179
- A896 → STMT
- A897 → U180
- A898 → R180
- A899 → R180
- A900 → R180
- A901 → STMT
- A902 → U181
- A903 → R181
- A904 → R181
- A905 → R181
- A906 → STMT
- A907 → U182
- A908 → R182
- A909 → R182
- A910 → R182
- A911 → STMT
- A912 → U183
- A913 → R183
- A914 → R183
- A915 → R183
- A916 → STMT
- A917 → U184
- A918 → R184
- A919 → R184
- A920 → R184
- A921 → STMT
- A922 → U185
- A923 → R185
- A924 → R185
- A925 → R185
- A926 → STMT</

ISSUE 1
3-10-85
Issue 2
28-7-86



TOLERANCES
HOLE SIZES AFTER PAINTING

0-3mm	+ 0.10
	- 0.00
OVER 3-6mm	+ 0.12
	- 0.00
OVER 6-10mm	+ 0.15
	- 0.00
OVER 10-18mm	+ 0.18
	- 0.00
OVER 18-25mm	+ 0.21
	- 0.00
OVER 25mm	+ 0.25
	- 0.00

GENERAL TOLERANCE
Delete where not applicable.

± 0.50mm (0.020")
± 0.25mm (0.010")
± 0.12mm (0.005")

HOLE CENTRES ± 0.004"
ALL ANGLES ± 0.50°
Unless otherwise stated.

HOLE INDEX

<input type="checkbox"/>	<input type="checkbox"/>
<input type="checkbox"/>	<input type="checkbox"/>
<input type="checkbox"/>	<input type="checkbox"/>
<input type="checkbox"/>	<input type="checkbox"/>

MATL
FINISH
SCALE

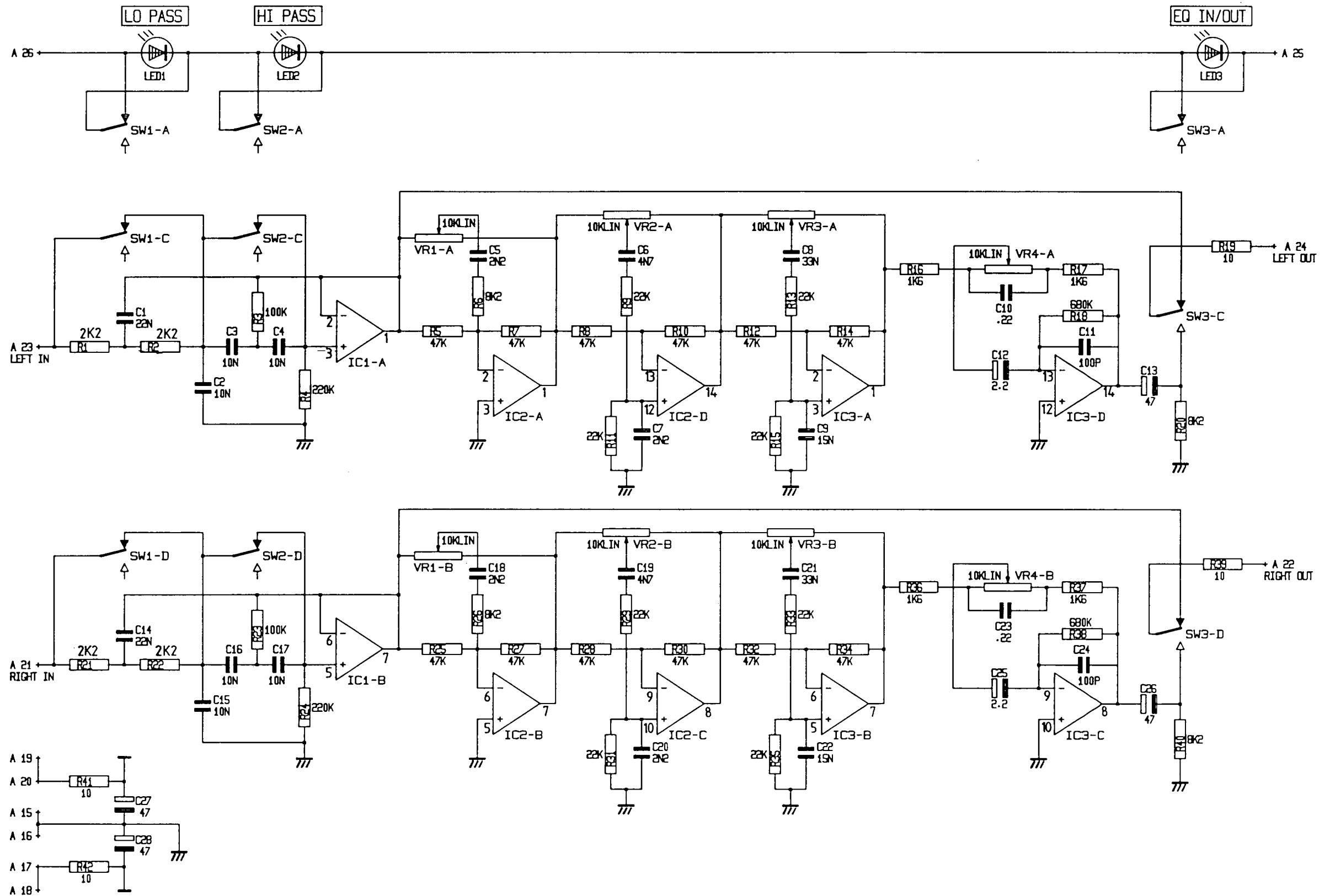
DRN
GHB
TRCD
CHKD

THIRD ANGLE PROJECTION
THIS DRAWING TO COMPLY TO BS308.

SOUNDCRAFT ELECTRONICS LTD
UNIT 2,
BOREHAMWOOD INDUSTRIAL PARK,
ROWLEY LANE,
BOREHAMWOOD,
HERTFORDSHIRE WD6 5PZ
TELEPHONE: 01-207-5050
FACSIMILE No. 2070194

TITLE
SAC 2000
4 INPUT SOURCE
SELECT

DRG No. ED2281



Soundcraft Electronics Limited own the copyright of this drawing which is not to be copied, reproduced or disclosed, in part or whole, to a third party without written permission.

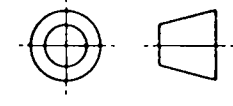
NOTES.

HOLE INDEX.

TOLERANCE.

All imperial dimensions ± 0.010
 All metric dimensions $\pm 0.25\text{mm}$
 All angles $\pm 0.50^\circ$
 Unless otherwise stated.

THIRD ANGLE PROJECTION



MATL.

FINISH.

SCALE.

DRG.

TRCD.

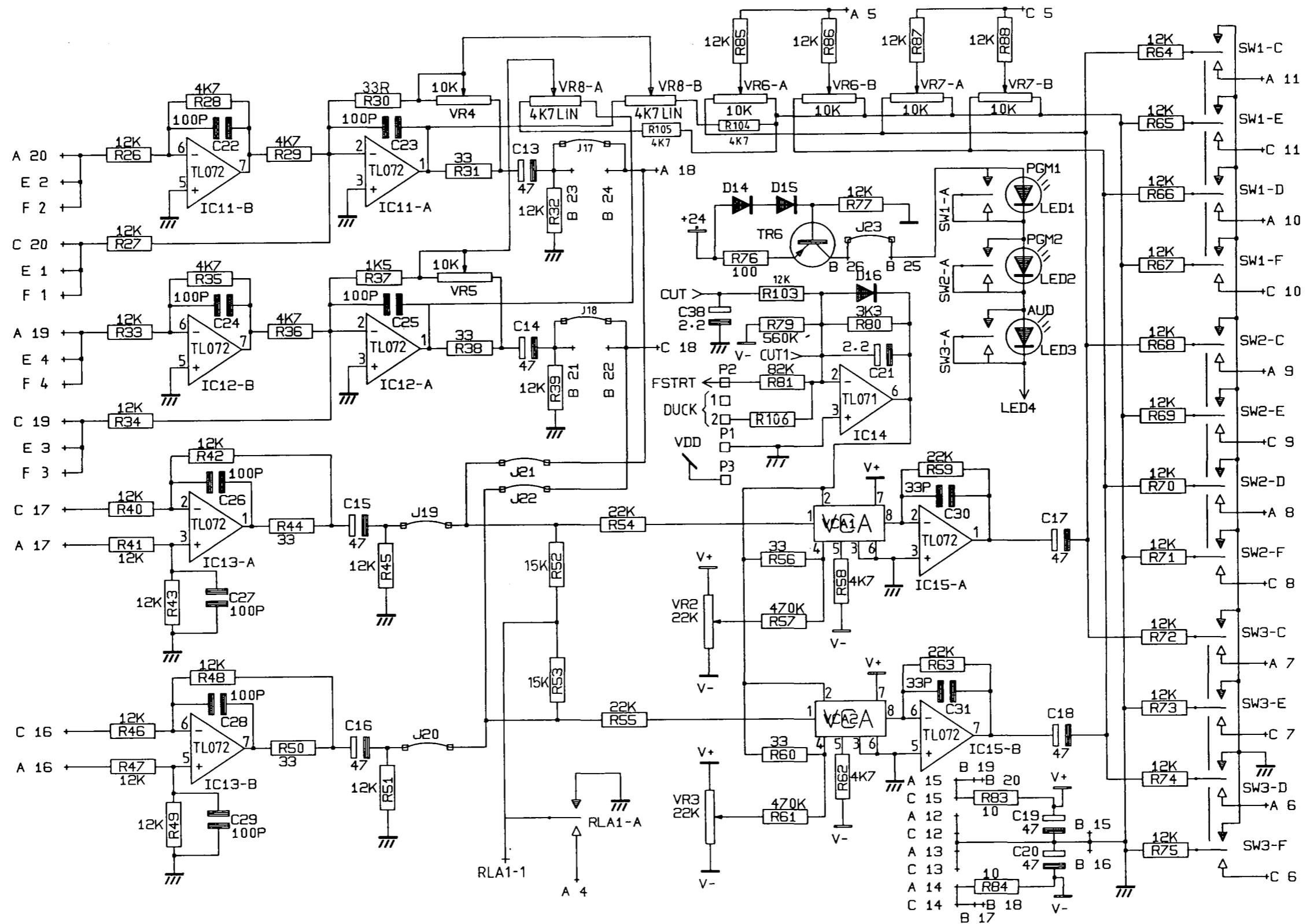
CHKD.

SOUNDCRAFT ELECTRONICS LTD.
 5-8 GREAT SUTTON STREET
 LONDON, EC4V 0BX.
 TELEPHONE: 01-251-3631/2/3
 TELEGRAMS: SOUNDCRAFT LDM. EC1
 TELEX: UK No. 21196. USA No. 01-2203

TITLE. SAC 2000
 STEREO EQ

DRG No. ED 2279

Issue 1 - P1	3-6-85
Issue 2 - P2	20-6-86
Issue P3	CIRCUIT REPLACES ED 2272
Issue P4	5-7-89
R30, R52, R53	VALUES CHANGED

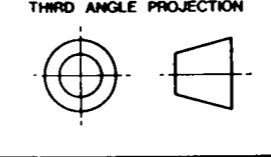


Soundcraft Electronics Limited own the copyright of this drawing which is not to be copied, reproduced or disclosed, in part or whole, to a third party without written permission.

NOTES.

HOLE INDEX.

TOLERANCE.
 All imperial dimensions ± 0.010
 All metric dimensions $\pm 0.25mm$
 All angles $\pm 0.50^\circ$
 Unless otherwise stated.



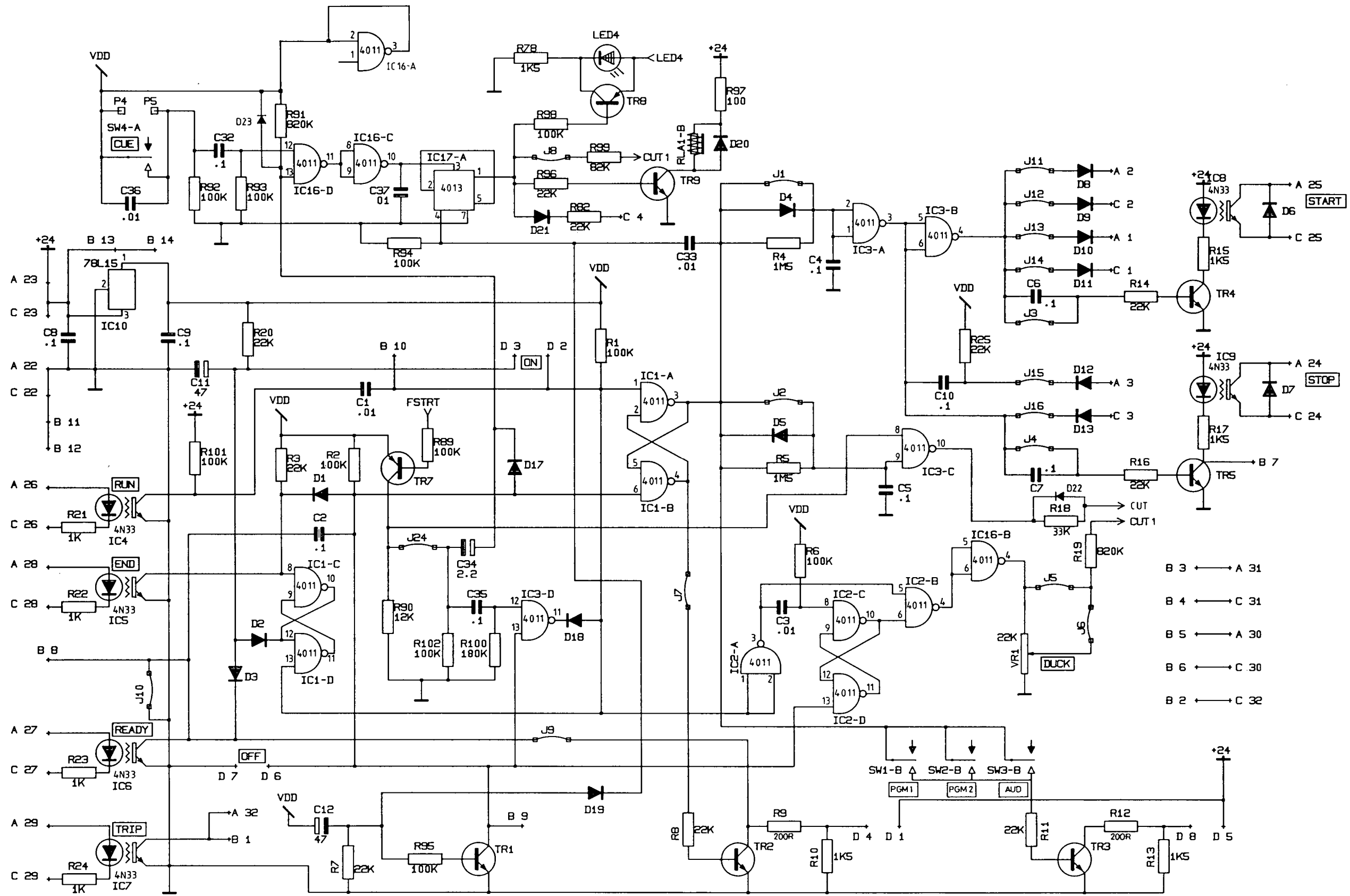
MATL. _____
 FINISH. _____
 SCALE. _____

DRG. _____
 TRCD. _____
 CHKD. _____

SOUNDCRAFT ELECTRONICS LTD.
 5-8 GREAT SUTTON STREET
 LONDON. EC4V. 0BX.
 TELEPHONE. 01-251-3831/2/3
 TELEGRAMS. SOUNDCRAFT LON. EC1
 TELEX. UK No. 21198. USA No. 01-2203

TITLE. SAC 2000
 STEREO INPUT AUDIO
 (SC 2644 P3) SHT. 2 OF 2
 DRG No. ED 2644

Issue P1	31-5-85
Issue P2	20-6-86
Issue P3	CIRCUIT REPLACES ED 2272
Issue P4	RS/R2, R100 VALUES CHANGED, SWITCH LABELS ADDED
29-11-88	5-7-89



NOTES.

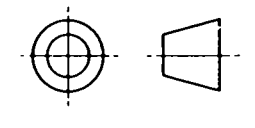
Soundcraft Electronics Limited own the copyright of this drawing which is not to be copied, reproduced or disclosed, in part or whole, to a third party without written permission.

HOLE INDEX.

TOLERANCE.

All imperial dimensions ±0.010
All metric dimensions ±0.25mm
All angles ±0.50°
Unless otherwise stated.

THIRD ANGLE PROJECTION



MATL. _____

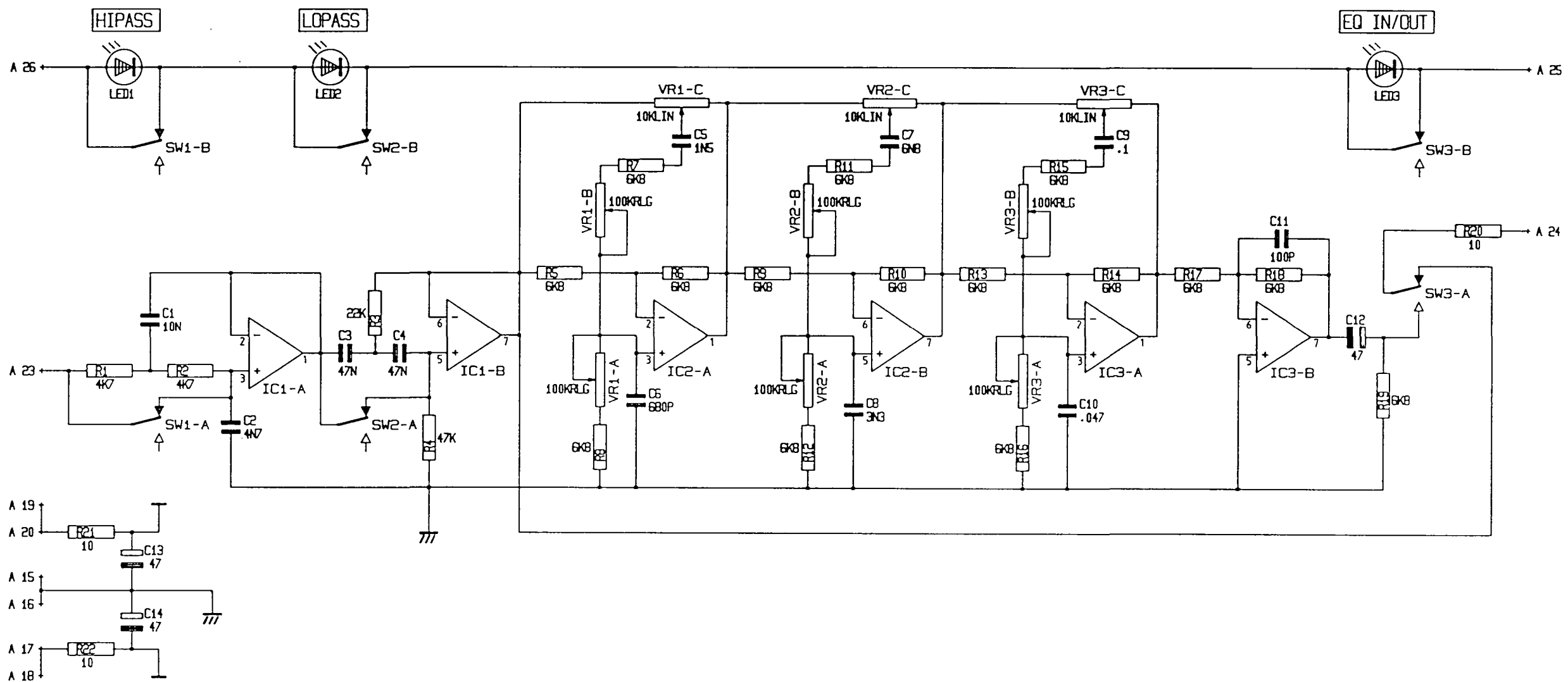
FINISH. _____
SCALE. _____

DRG. G.B.

TRCD. _____
CHKD. _____

SOUNDCRAFT ELECTRONICS LTD.
5-8 GREAT SUTTON STREET
LONDON, EC4V 0BX.
TELEPHONE: 01-251-3631/2/3
TELEGRAMS: SOUNDCRAFT LDM. EC1
TELEX: UK No. 21198, USA No. 01-2203

TITLE. SAC 2000 STEREO I/P LOGIC
{SC2644 P3} SHT. 10F.2
DRG No. ED2644

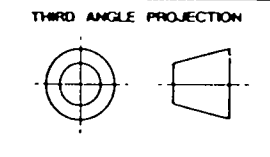


Soundcraft Electronics Limited own the copyright of this drawing which is not to be copied, reproduced or disclosed, in part or whole, to a third party without written permission.

NOTES.

HOLE INDEX.

TOLERANCE.
All imperial dimensions ± 0.010
All metric dimensions $\pm 0.25\text{mm}$
All angles $\pm 0.50^\circ$
Unless otherwise stated.



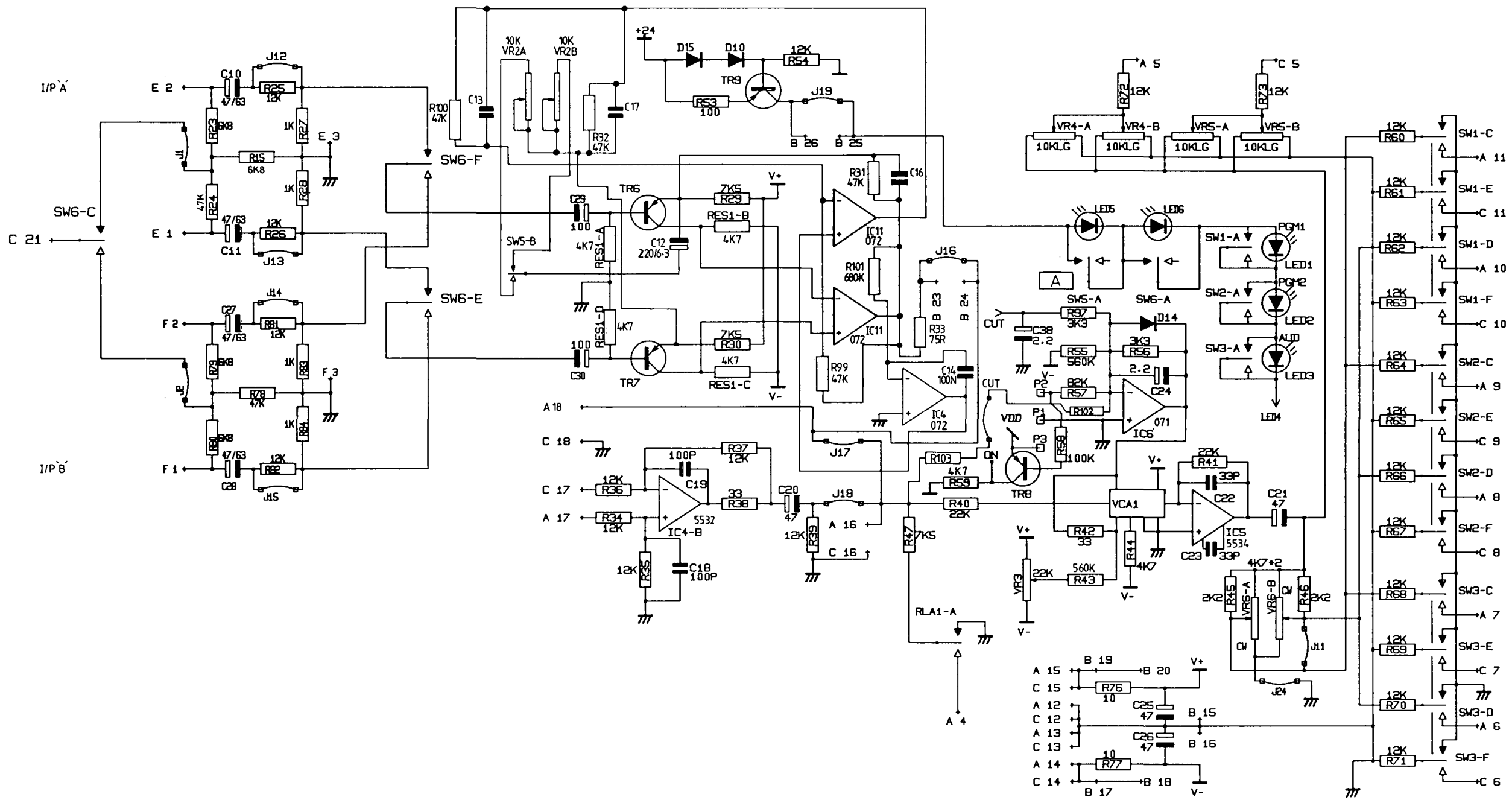
MATL.
FINISH.
SCALE.

DRG.
TRCD.
CHKD.

SOUNDCRAFT ELECTRONICS LTD.
5-8 GREAT SUTTON STREET
LONDON, EC 4V, 0BX
TELEPHONE. 01-251-3631/2/3
TELEGRAMS. SOUNDCRAFT LDN. EC1
TELEX UK No. 71198. USA No. 01-2203

TITLE. SAC 2000 MONO EQ
FOR SC 1478 ISS P1
DRG No. ED 2280

MS	ISSUE 1 13-6-85
AB	ISSUE 2 21-10-85 R43, R59, VALUE CHANGED IC, TYPES ADDED
AB	ISSUE 3 20-6-86
MS	ISSUE 4 REPLACES ED2271 29-11-88
MS	ISSUE 5 5-7-89 R15, R24, VALUE CHANGED, SW, LABEL 'A' ADDED

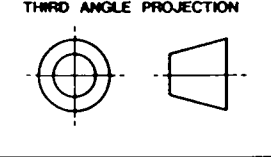


Soundcraft Electronics Limited own the copyright of this drawing which is not to be copied, reproduced or disclosed, in part or whole, to a third party without written permission.

NOTES.

HOLE INDEX.

TOLERANCE.
All imperial dimensions ± 0.010
All metric dimensions $\pm 0.25\text{mm}$
All angles $\pm 0.5^\circ$
Unless otherwise stated.

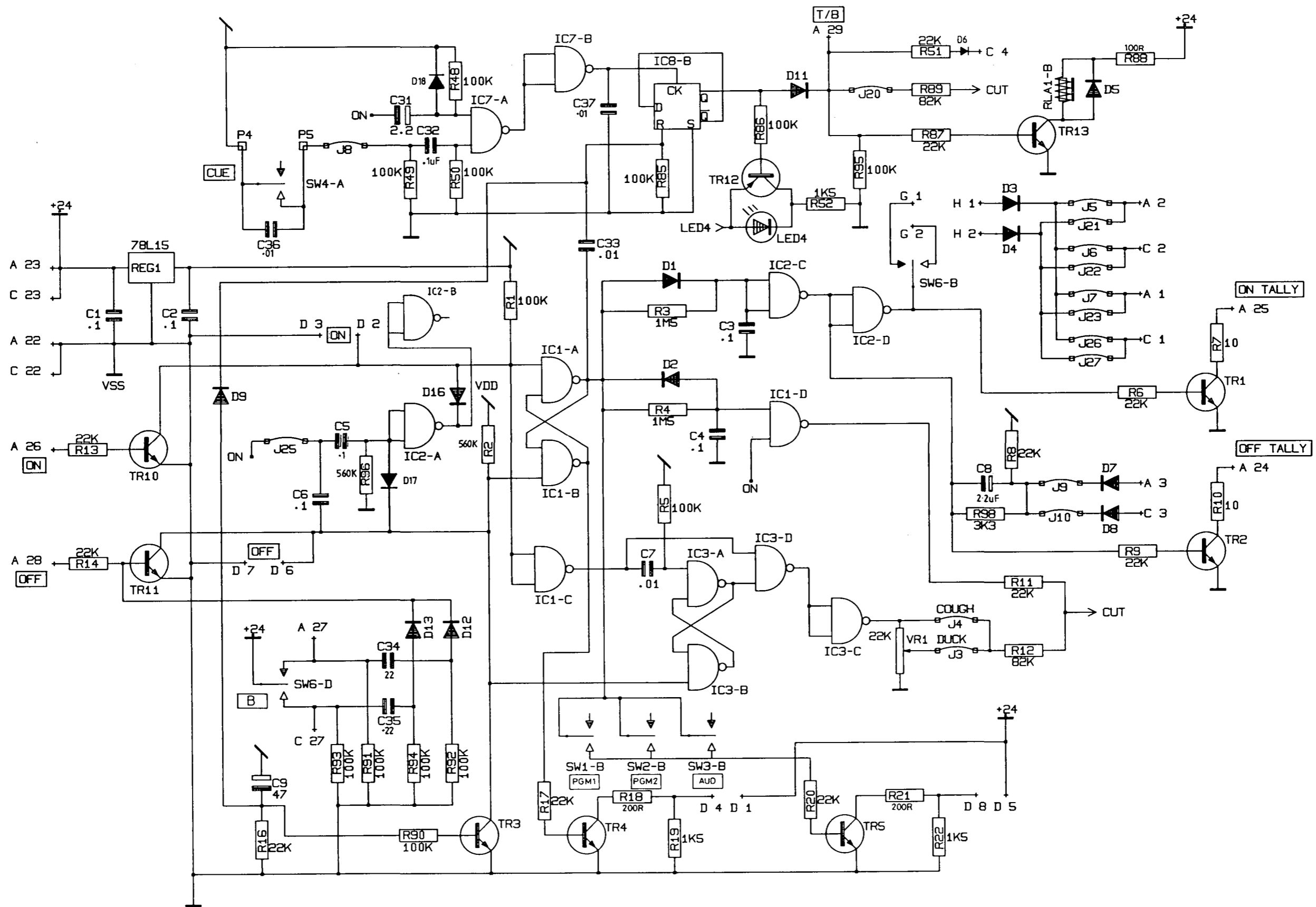


MATL.
FINISH.
SCALE.

DRG. TRCD. CHKD.
SOUNDCRAFT ELECTRONICS LTD.
5-8 GREAT SUTTON STREET
LONDON, EC 4V, 0BX.
TELEPHONE. 01-251-3831/2/3
TELEGRAMS. SOUNDCRAFT LDN. EC1
TELEX. UK No. 21198. USA No. 01-2203

TITLE.
SAC 2000
MONO/MIC AUDIO
(SC2645 P1)
DRG No. ED2645 Sheet 2 of 2

Issue 1	13-6-85
ISS 2	21-10-85
D17, D18, ADDED VALUE CHANGES	
ISS 3	20-6-86
ISSUE 4	NEW CIRCUIT REPLACES ED2270
M/JH	30/11/88
ISS 5	5-7-89
R88, R18, R21 VALUE CHANGES, SWITCH LABELS ADDED.	

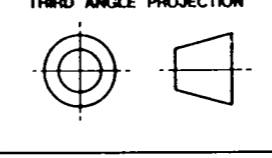


Soundcraft Electronics Limited own the copyright of this drawing which is not to be copied, reproduced or disclosed, in part or whole, to a third party without written permission.

NOTES.

HOLE INDEX.

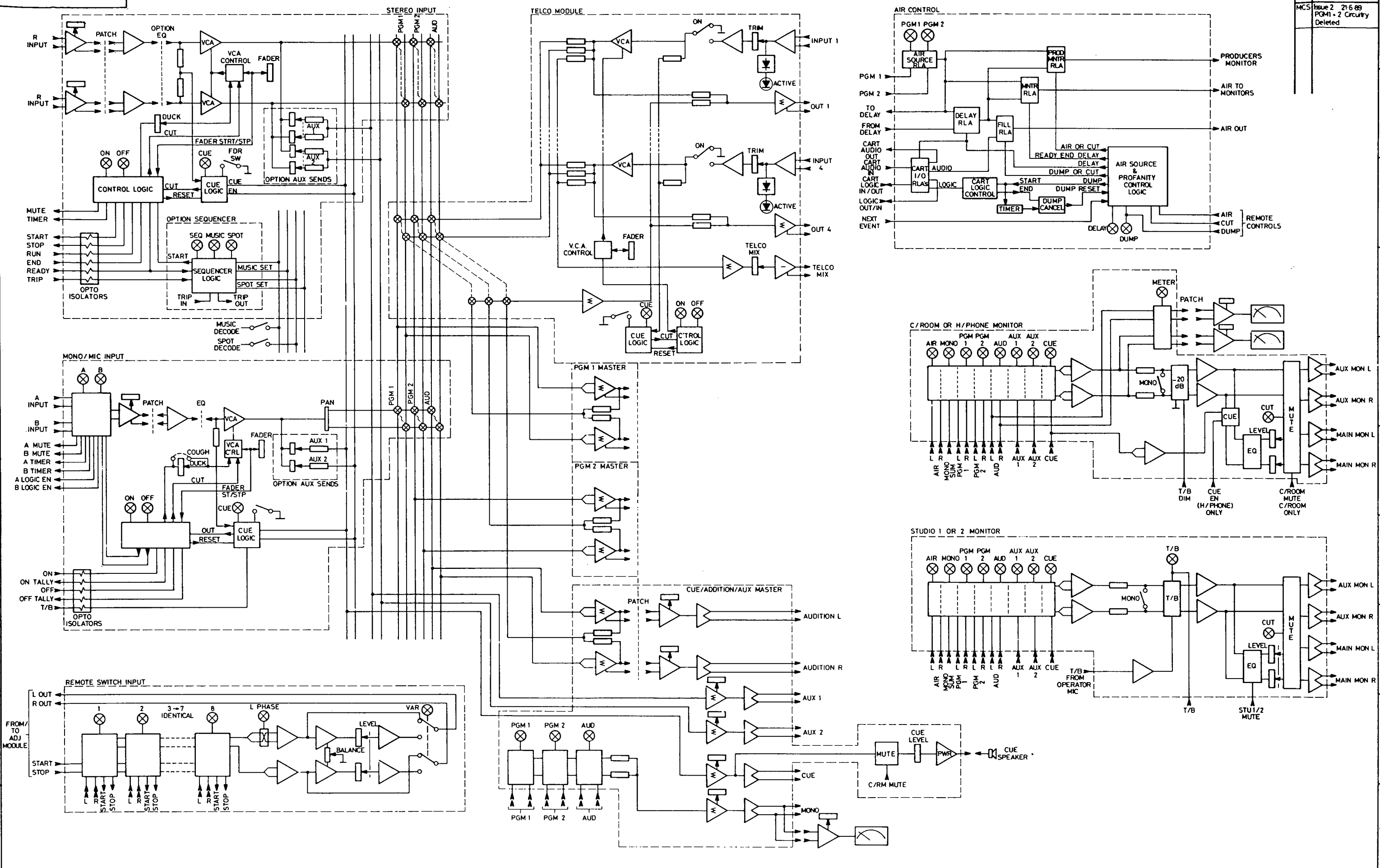
TOLERANCE.
 All imperial dimensions ± 0.010
 All metric dimensions $\pm 0.25\text{mm}$
 All angles $\pm 0.50^\circ$
 Unless otherwise stated.



MATL.
 FINISH.
 SCALE.

DRG. SOUNDSCRAFT ELECTRONICS LTD.
 5-8 GREAT SUTTON STREET
 LONDON, EC 4V, OBX.
 TELEPHONE. 01-251-3631/2/3
 TELEGRAMS. SOUNDSCRAFT LON. EC1
 TELEX. UK No. 21198, USA No. 01-2203

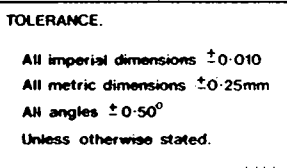
TITLE.
 SAC 2000
 MONO/MIC LOGIC.
 (SC2645 P1)
 DRG No. ED 2645 Sheet 1 of 2



Soundcraft Electronics Limited own the copyright of this drawing which is not to be copied, reproduced or disclosed, in part or whole, to a third party without written permission.

NOTES.
HOLE INDEX.

TOLERANCE.
All imperial dimensions ± 0.010
All metric dimensions $\pm 0.25mm$
All angles $\pm 0.50^\circ$
Unless otherwise stated.

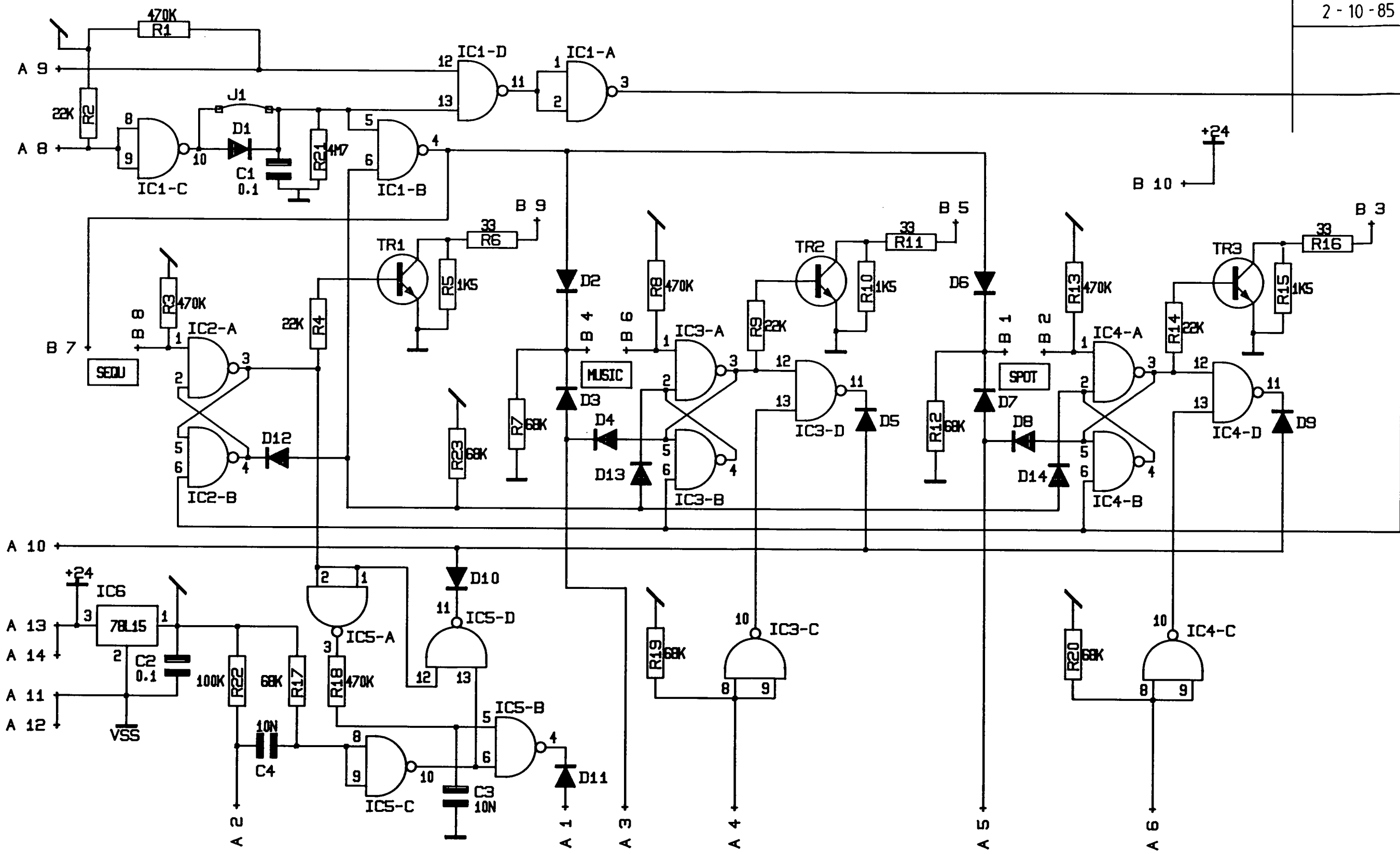


THIRD ANGLE PROJECTION

MATL.
FINISH.
SCALE.

DRG. Denise
TRCD.
CHKD.
SOUNDCRAFT ELECTRONICS LTD.
5-8 GREAT SUTTON STREET
LONDON. EC1V. 0BX.
TELEPHONE. 01-251-3631/2/3
TELEGRAMS. SOUNDCRAFT LDN. EC1
TELEX. UK No. 21198. USA No. 01-2203

TITLE.
SAC 2
ON-AIR CONSOLE
BLOCK DIAGRAM
DRG No. ED 2164



TOLERANCES
HOLE SIZES AFTER PAINTING

0-3mm	+ 0.10
	- 0.00
OVER 3-6mm	+ 0.12
	- 0.00
OVER 6-10mm	+ 0.15
	- 0.00
OVER 10-18mm	+ 0.18
	- 0.00
OVER 18-25mm	+ 0.21
	- 0.00
OVER 25mm	+ 0.25
	- 0.00

GENERAL TOLERANCE

Delete where not applicable.

± 0.50mm (0.020")

± 0.25mm (0.010")

± 0.12mm (0.005")

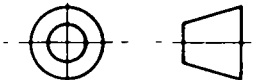
HOLE CENTRES ± 0.004"

ALL ANGLES ± 0.50°

Unless otherwise stated.

HOLE INDEX

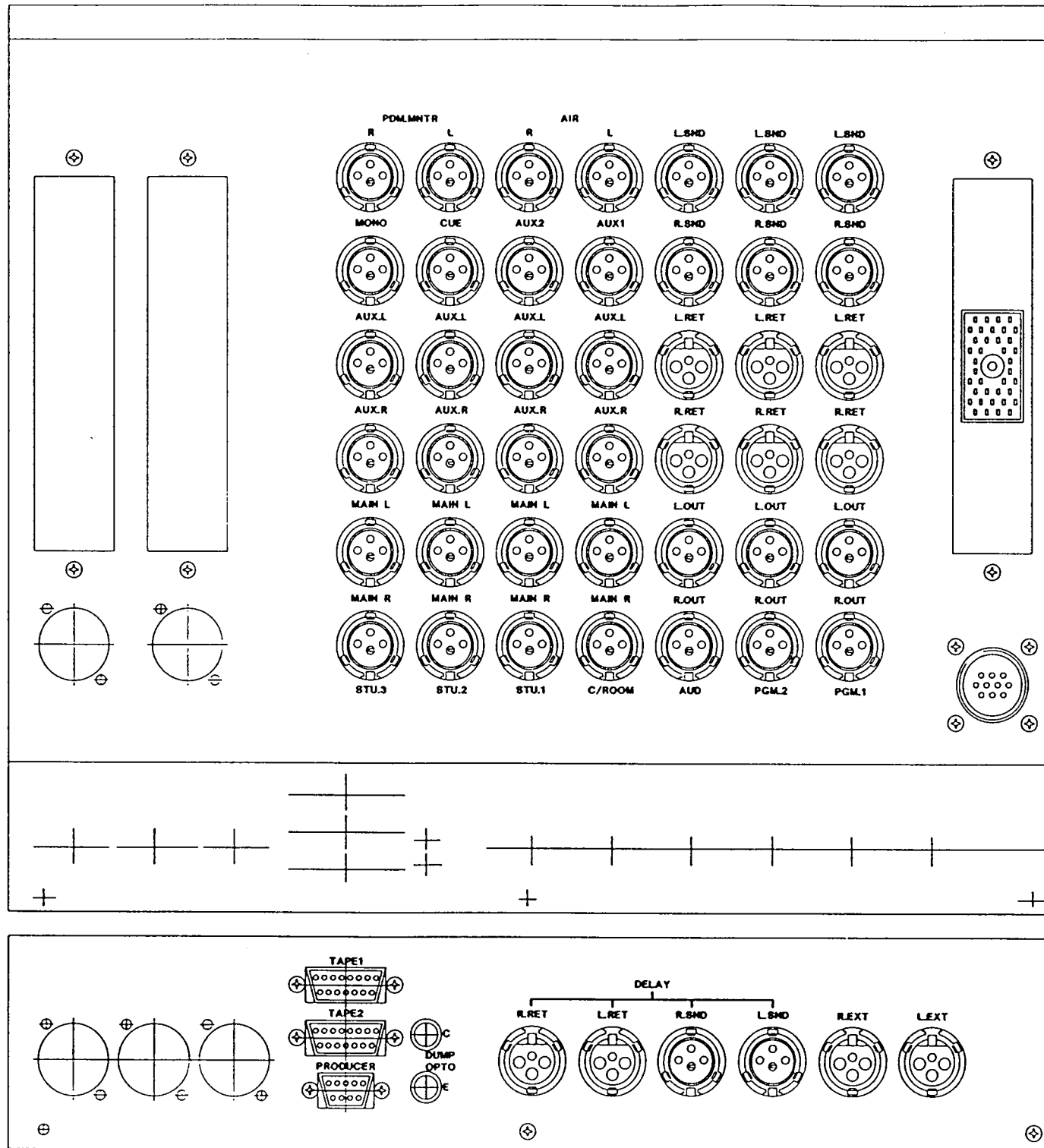
<input type="checkbox"/>	<input type="checkbox"/>
<input type="checkbox"/>	<input type="checkbox"/>
<input type="checkbox"/>	<input type="checkbox"/>
<input type="checkbox"/>	<input type="checkbox"/>

MATL	DRN GHB
FINISH	TRCD
SCALE	CHKD
 THIRD ANGLE PROJECTION THIS DRAWING TO COMPLY TO BS308.	

SOUNDCRAFT ELECTRONICS LTD
UNIT 2,
BOREHAMWOOD INDUSTRIAL PARK,
ROWLEY LANE,
BOREHAMWOOD,
HERTFORDSHIRE WD6 5PZ.
TELEPHONE: 01-207-5050
FACSIMILE No. 2070194

TITLE
SAC 2000
SEQUENCER
FOR SC1464/11

DRG.No. ED2277



Soundcraft Electronics Limited own the copyright of this drawing which is not to be copied, reproduced or disclosed, in part or whole to a third party without written permission.

NOTES

HOLE INDEX

<input type="checkbox"/>	<input type="checkbox"/>
<input type="checkbox"/>	<input type="checkbox"/>
<input type="checkbox"/>	<input type="checkbox"/>
<input type="checkbox"/>	<input type="checkbox"/>

TOLERANCES

HOLE SIZES AFTER PAINTING

0-3mm	-0.08
OVER 3-6mm	-0.12
OVER 6-10mm	-0.15
OVER 10-18mm	-0.20
OVER 18-25mm	-0.25
OVER 25mm	-0.30

GENERAL TOLERANCES
Delete where not applicable.
±0.50mm (0.020")
±0.25mm (0.010")
±0.12mm (0.005")
HOLE CENTRES ±0.004"
ALL ANGLES ±0.50°

MATL

FINISH	
SCALE	FULL SIZE

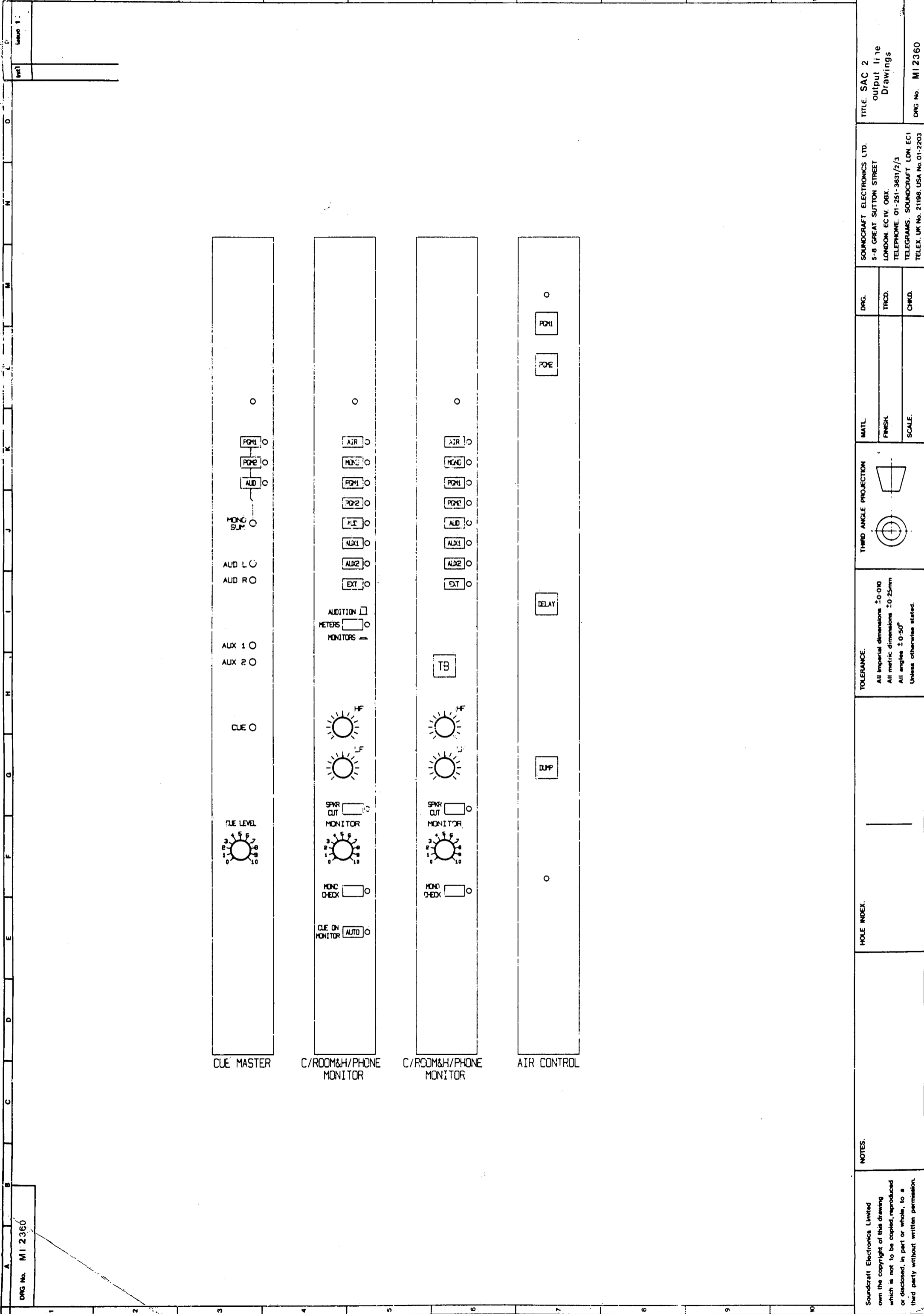
DRN

CHRIS
TRCO
CHKD

SOUNDCRAFT ELECTRONICS LTD
UNIT 2,
BOREHAMWOOD INDUSTRIAL PARK,
ROWLEY LANE,
BOREHAMWOOD,
HERTFORDSHIRE WD6 5PZ
TELEPHONE: 01-207-5050
FACSIMILE No. 2070194

TITLE
SAC 2000
OUTPUT
REAR
CONN

THIRD ANGLE PROJECTION
THIS DRAWING TO COMPLY



CUE MASTER

C/ROOM&H/PHONE MONITOR

C/ROOM&H/PHONE MONITOR

AIR CONTROL

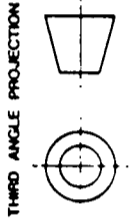
DRG No. MI 2360

Soundcraft Electronics Limited own the copyright of this drawing which is not to be copied, reproduced or disclosed, in part or whole, to a third party without written permission.

NOTES:

HOLE INDEX:

TOLERANCE:
 All imperial dimensions ± 0.010
 All metric dimensions $\pm 0.25\text{mm}$
 All angles $\pm 0.5^\circ$
 Unless otherwise stated.



MATL.
 FINISH
 SCALE.

DRG.
 TRCD.
 CHKD.

SOUNDCRAFT ELECTRONICS LTD.
 5-8 GREAT SUTTON STREET
 LONDON, EC1V, GBX.
 TELEPHONE: 01-251-3831/2/3
 TELEGRAMS: SOUNDCRAFT LON, EC1
 TELEX: UK No. 21198, USA No. 01-2203

TITLE: SAC 2
 output line
 Drawings
 DRG No. MI 2360