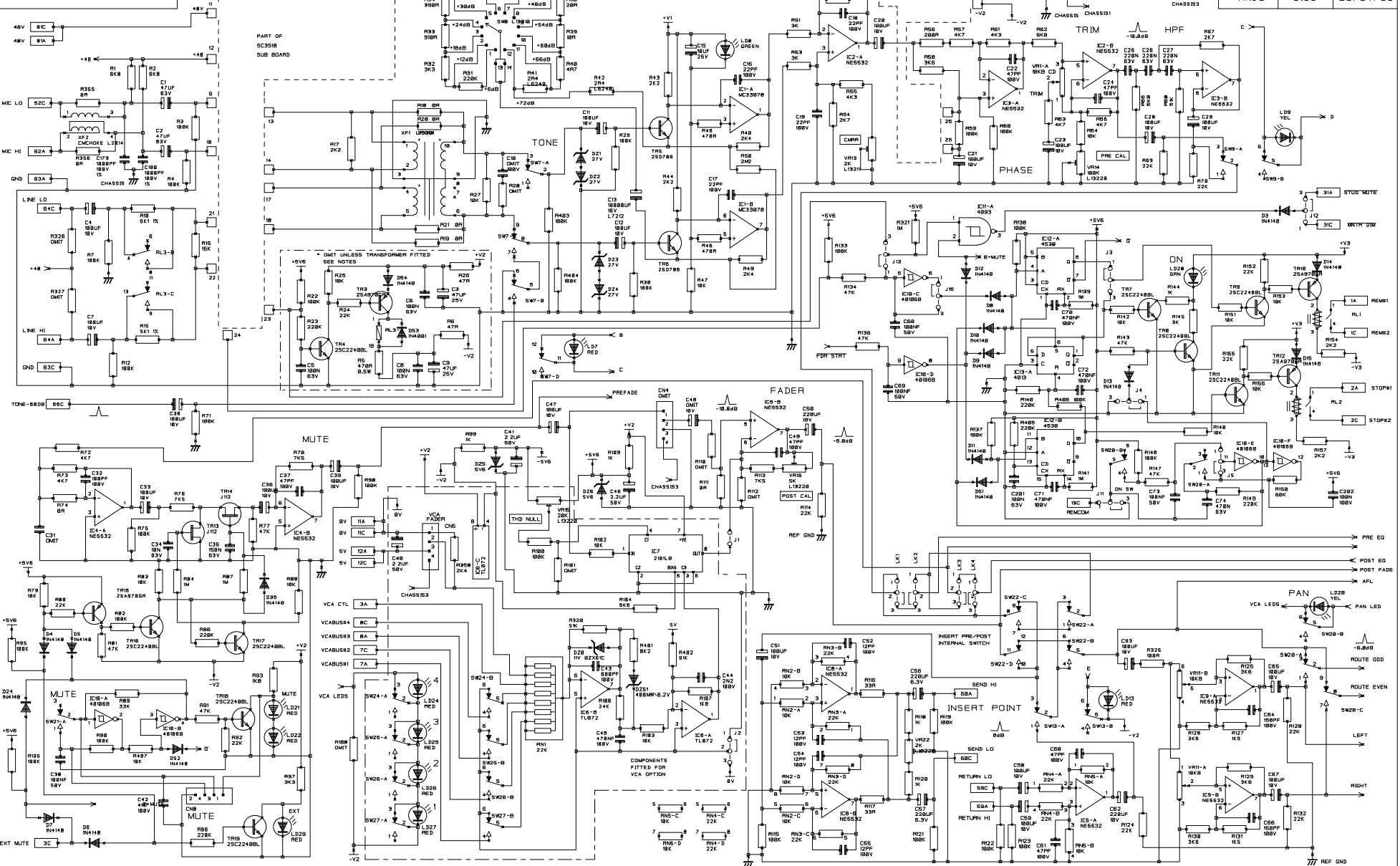


DRG NO. ED 3511A

INITIAL	ISSUE	DATE
RNJS	8.06	28/04/00



NOTES
 ELECTRONIC BAL I/P
 OMIT XF1, RL3, D53, TR3, TR4
 R5, R6, R23-R26, R28
 C3, C5, C6, C8-C10
 FOR MIC/MIC OPTION (NO XF1)
 FIT R326, R327=6K8
 CHANGE C4, C7 TO 47uF 63V

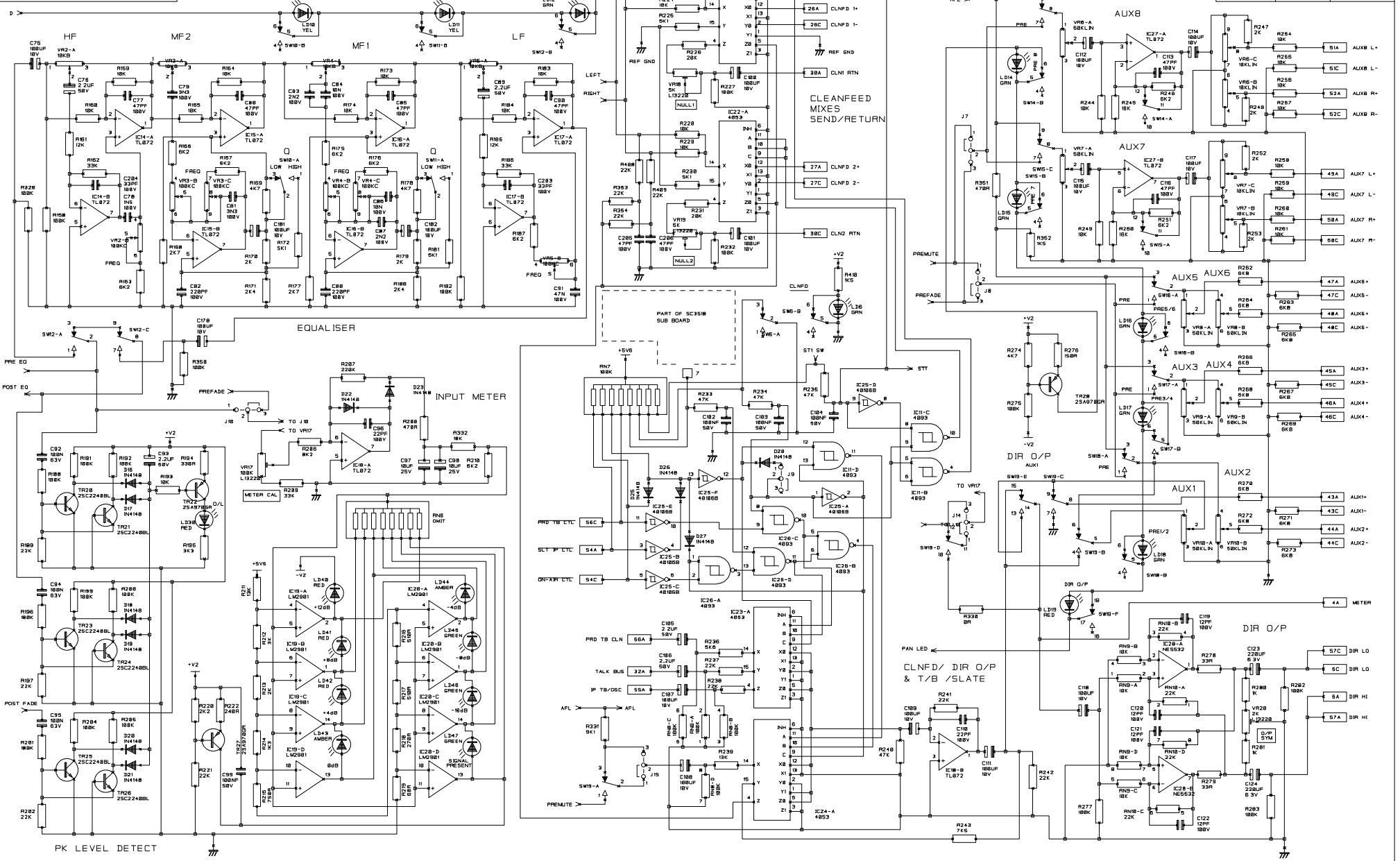
TRANSFORMER OPTION
 FIT C10=2N2, R28=680R
 RL3, XF1
 OMIT R10, R15, R18-R21
 REPLACE C12 WITH LINKS
 CHANGE R17 (2K2) TO 5K1
 R16 (15K1) TO 18K

LINKS
 LK1,2,3,4 INSERT PRE FADE
 JUMP 1-2 = PRE EQ
 JUMP 2-3 = POST EQ (DEFAULT)
 J1 FIT FOR VCA OPTION.

DRN	CB/VCR

TITLE B800
 MONO INPUT MODULE
DRG NO. ED 3511A
 SH. 1 OF 3

INITIAL	ISSUE	DATE
RNJS	8.06	28/04/00

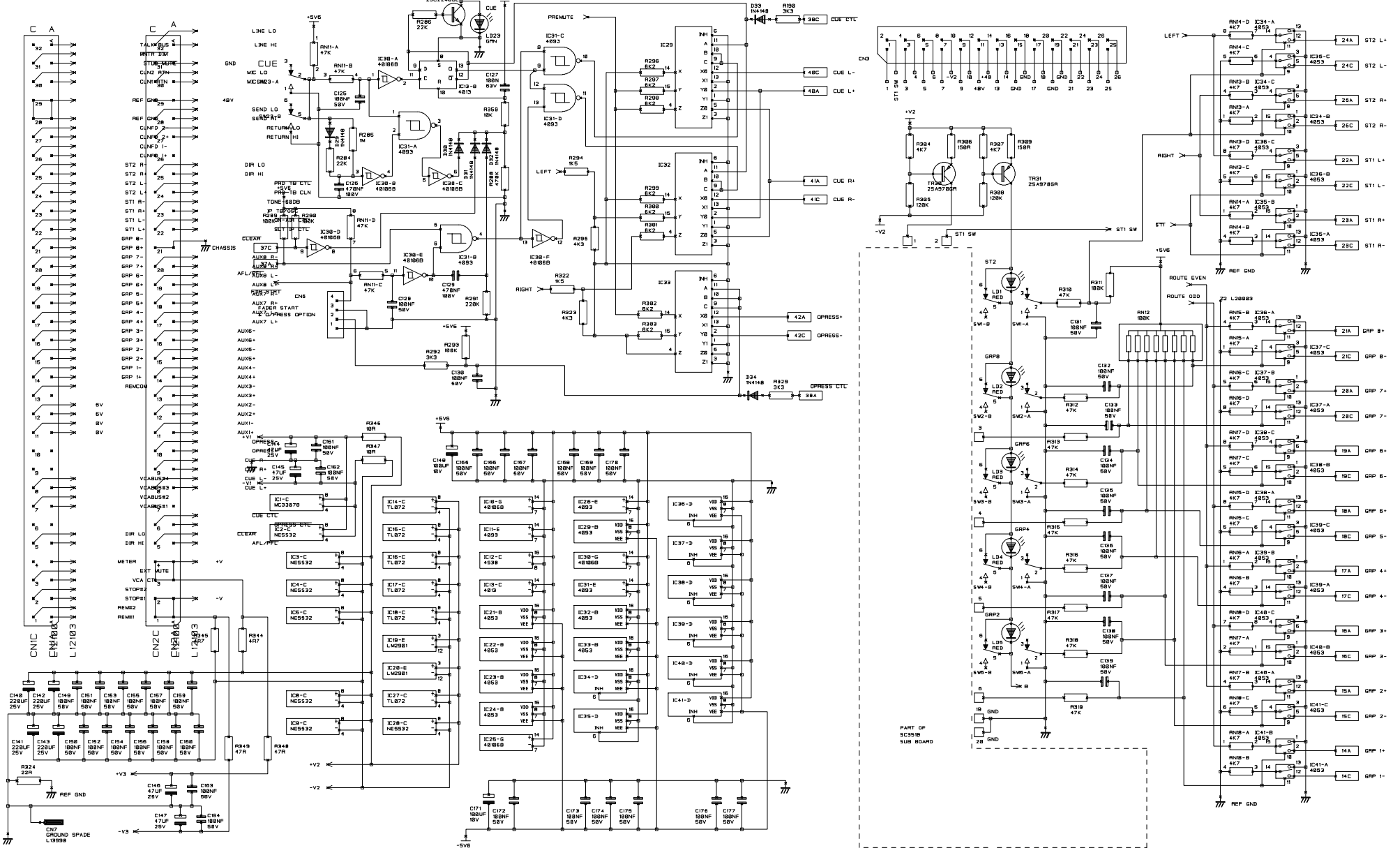


NOTES
 J15 - DIR OUTPUT
 FIT J15, 1-2 FOR DIR OUTPUT - PREMUTE
 FIT J15, 2-3 FOR DIR OUTPUT - AFL
 R938 - METER FEED BALAST FOR PRE/POST FADE LEVEL SHIFT
 R939 - 10K FOR LINE UP TO +6dB
 R938 - 10K FOR LINE UP TO 0dB

DRN. CB/VCR
 TITLE B800
 MONO INPUT MODULE
 DRG NO. ED 3511B
 SHEET 2 OF 3

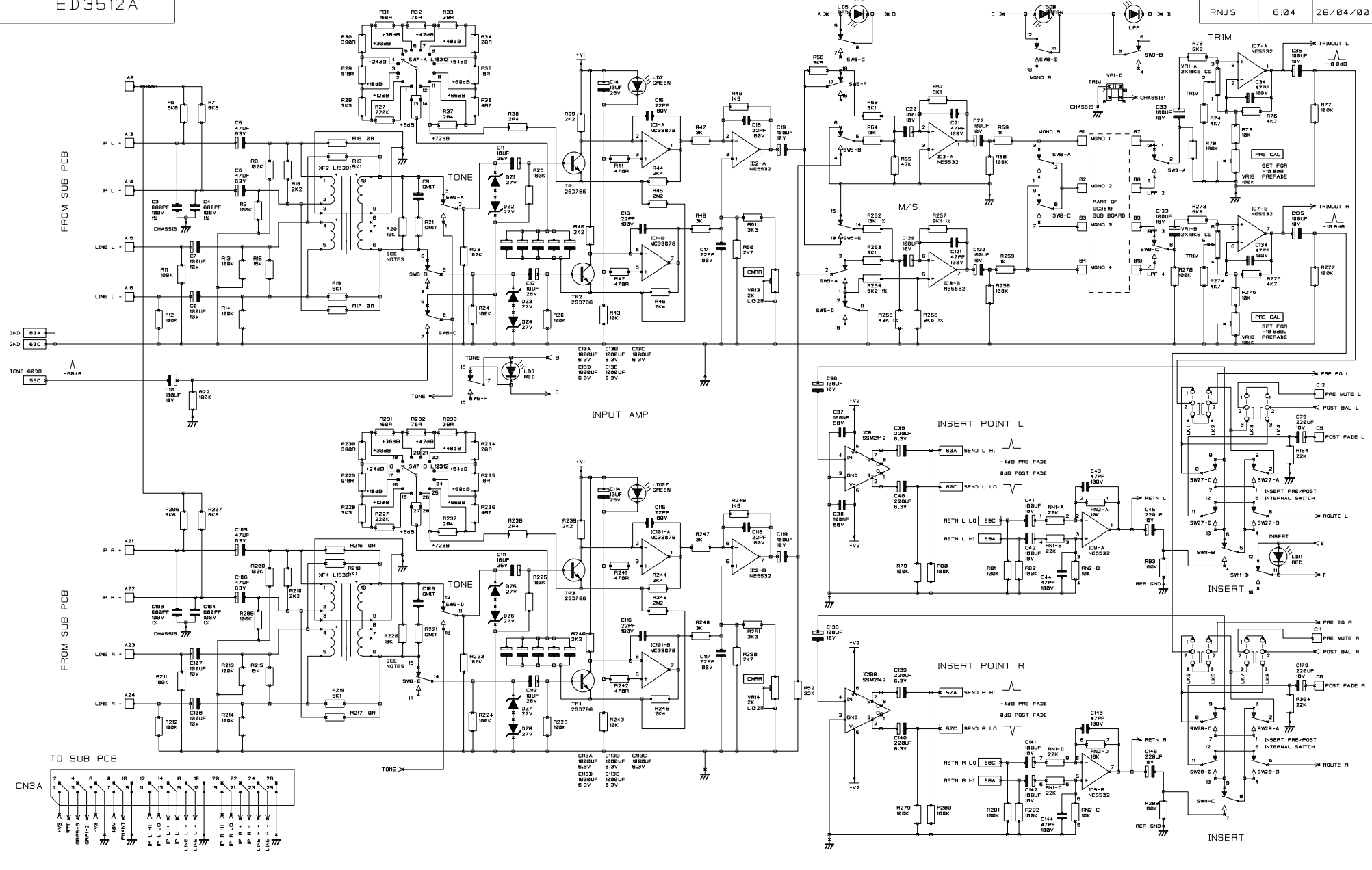
INITIAL	ISSUE	DATE
RNJS	8:06	28/04/00

CUE (& PFL OVER PRESS OPTION)



NOTES

DRN.	CB/VC	TITLE	B800
			MONO INPUT MODULE
		DRG NO.	ED 3511C



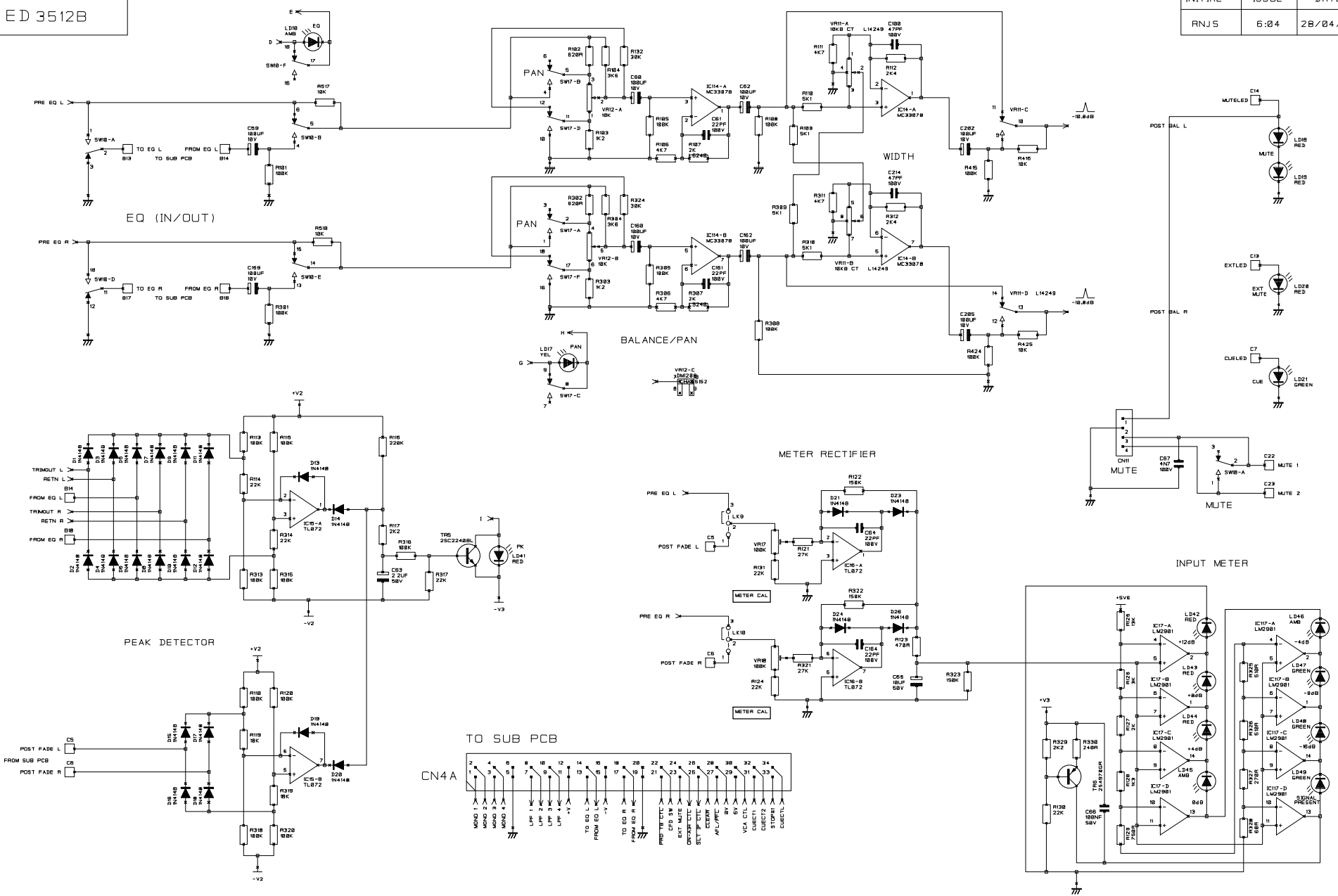
NOTES ELECTRONIC BALANCED INPUT (STD)
 OMIT XF2, XF4, R21, R221, C9, C109
 TRANSFORMER OPTION
 FIT R21, R221 = 680R; C9, C109 = 2N2/100V
 OMIT R11-19, R211-219
 OMIT R8, 9, R208, 209
 CHANGE R10, R210 (2K2) TO 5K1
 REPLACE C5-8, C105-108 WITH LINKS

LINKS
 LK1, 2, 3, 4, 5, 6, 7, 8 = INSERT PRE FADE
 SET JUMP 1-2 = PRE EQ
 JUMP 2-3 = POST EQ (DEFAULT)

DRN. CB/PH

TITLE B800
 STEREO INPUT MODULE
 MAIN PCB

INITIAL	ISSUE	DATE
RNJS	6:04	28/04/00

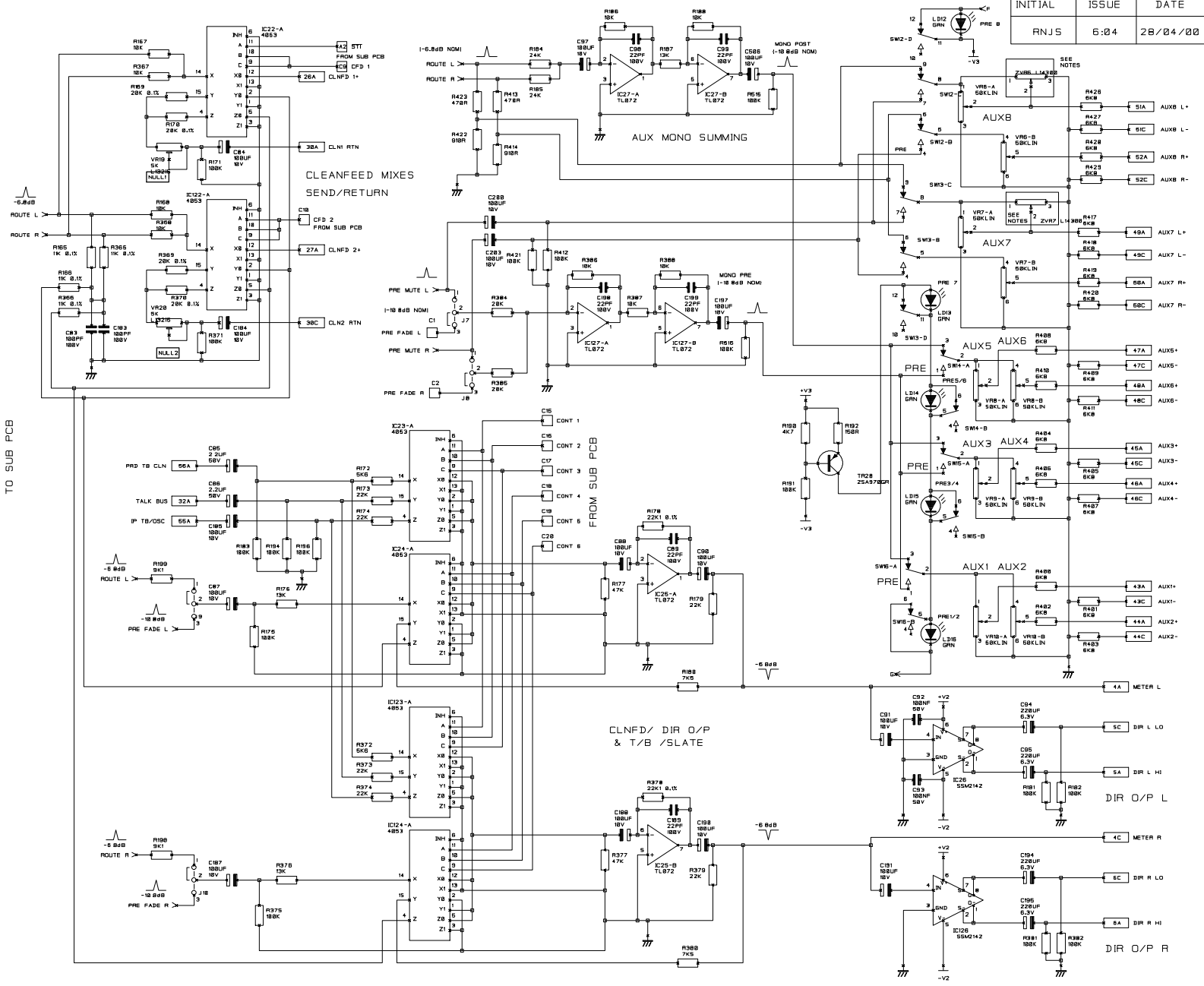
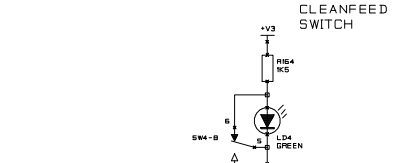
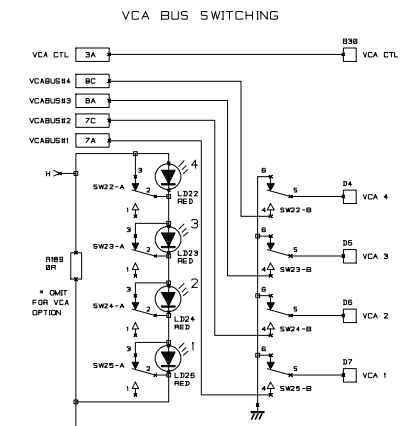
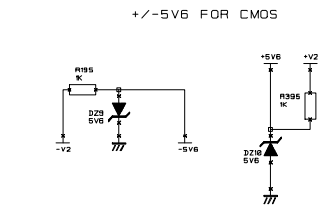


NOTES

DRN. CB/PH

TITLE B800
STEREO INPUT MODULE
MAIN PCB

DRG NO. ED 3512B



NOTES

ZVR6 AND ZVR7 ARE EXTRA PADS ASSOCIATED WITH VR6-A AND VR7-A FOR THE FITMENT OF DUAL POTS IN PLACE OF DUAL CONC. POTS FOR THE STEREO AUX SENDS

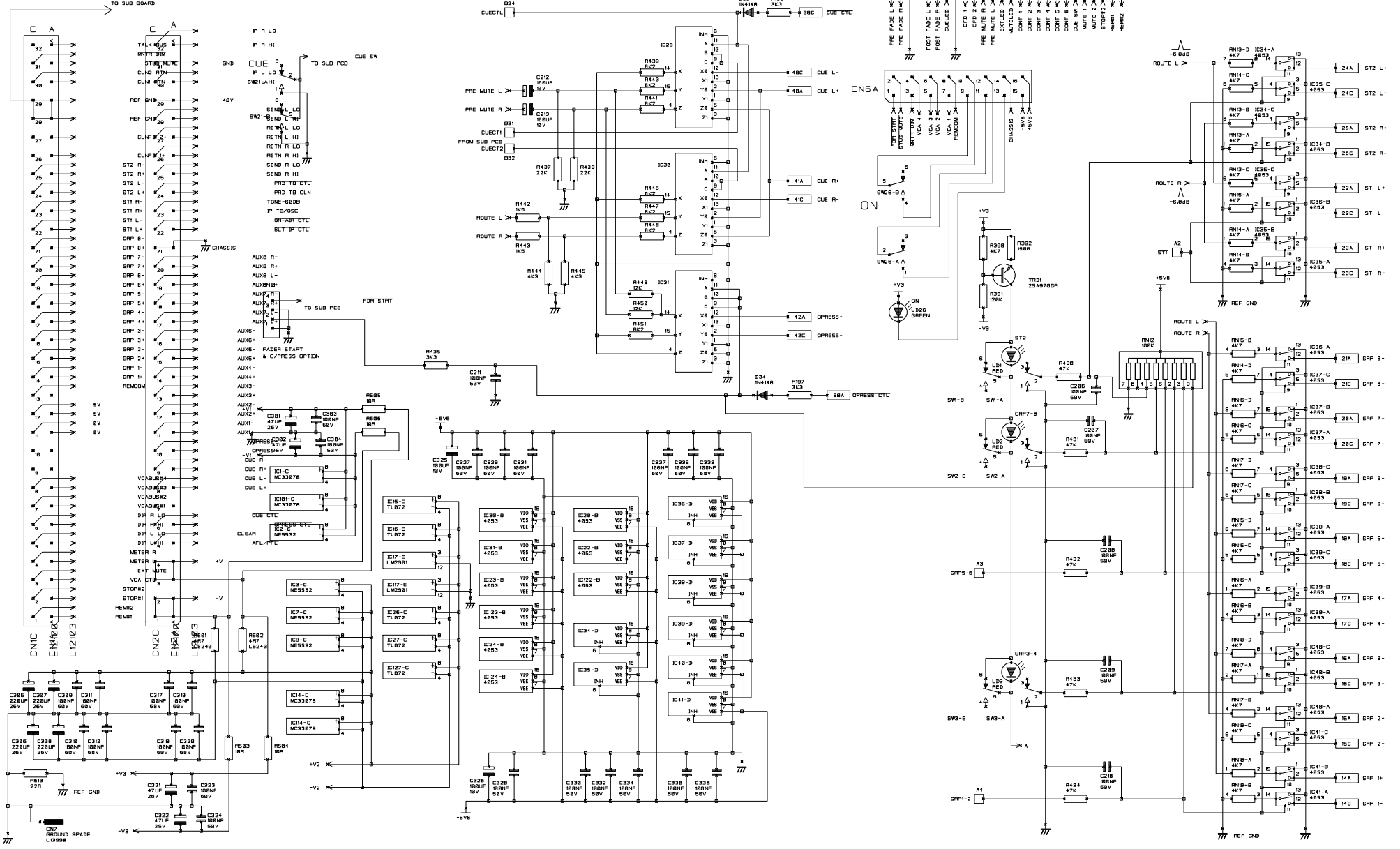
DRN. CB/PH

TITLE B800
STEREO INPUT MODULE
MAIN PCB

DRG NO. ED 3512C

INITIAL	ISSUE	DATE
RNJS	6:04	28/04/00

CUE (& PFL OVER PRESS OPTION)



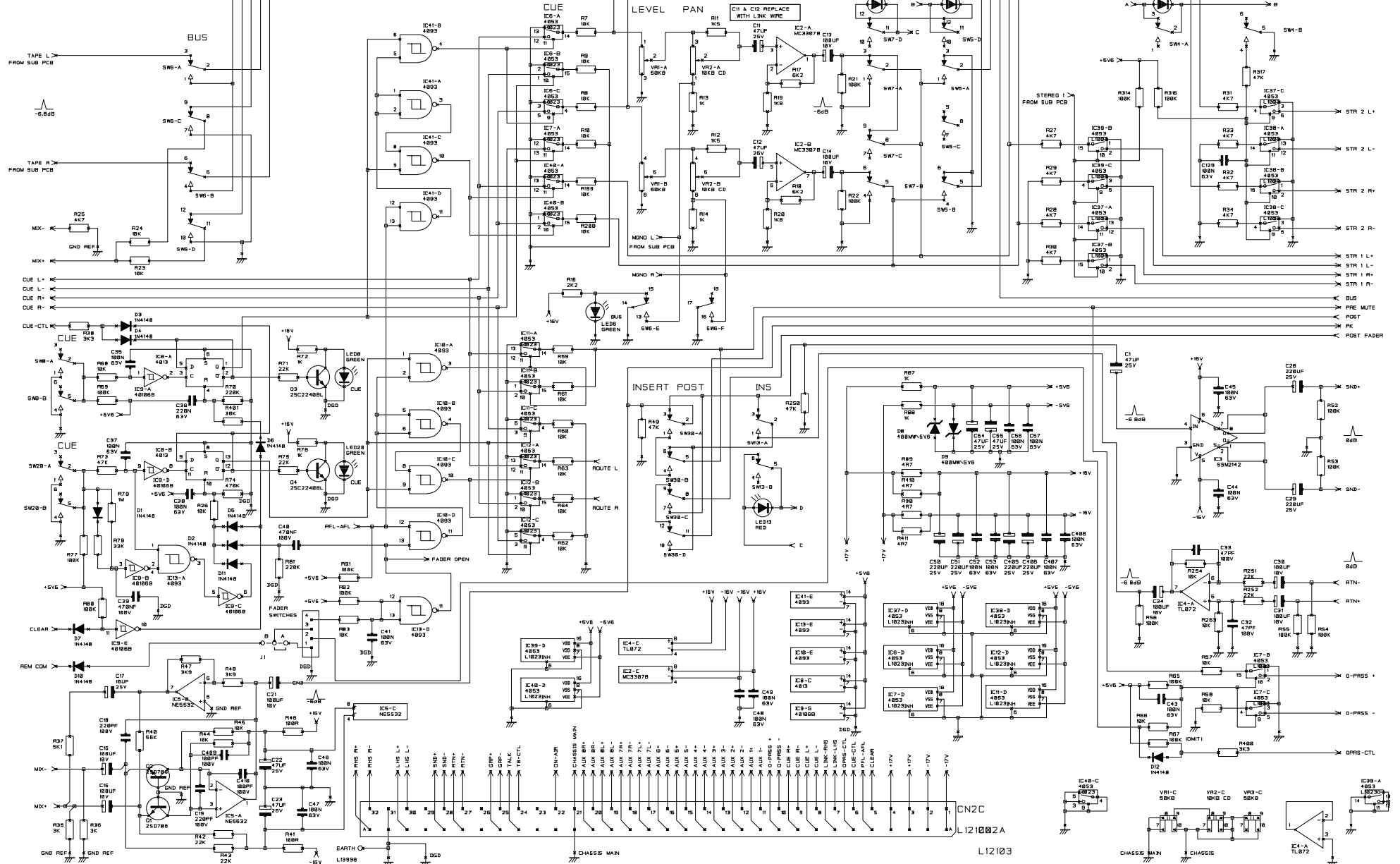
NOTES

1. ALL IC'S ARE TO BE MOUNTED ON THE REVERSE SIDE OF THE PCB UNLESS OTHERWISE SPECIFIED.

DRN. CB/PH

TITLE B800
STEREO INPUT MODULE
MAIN PCB

DRG NO. ED 3512D



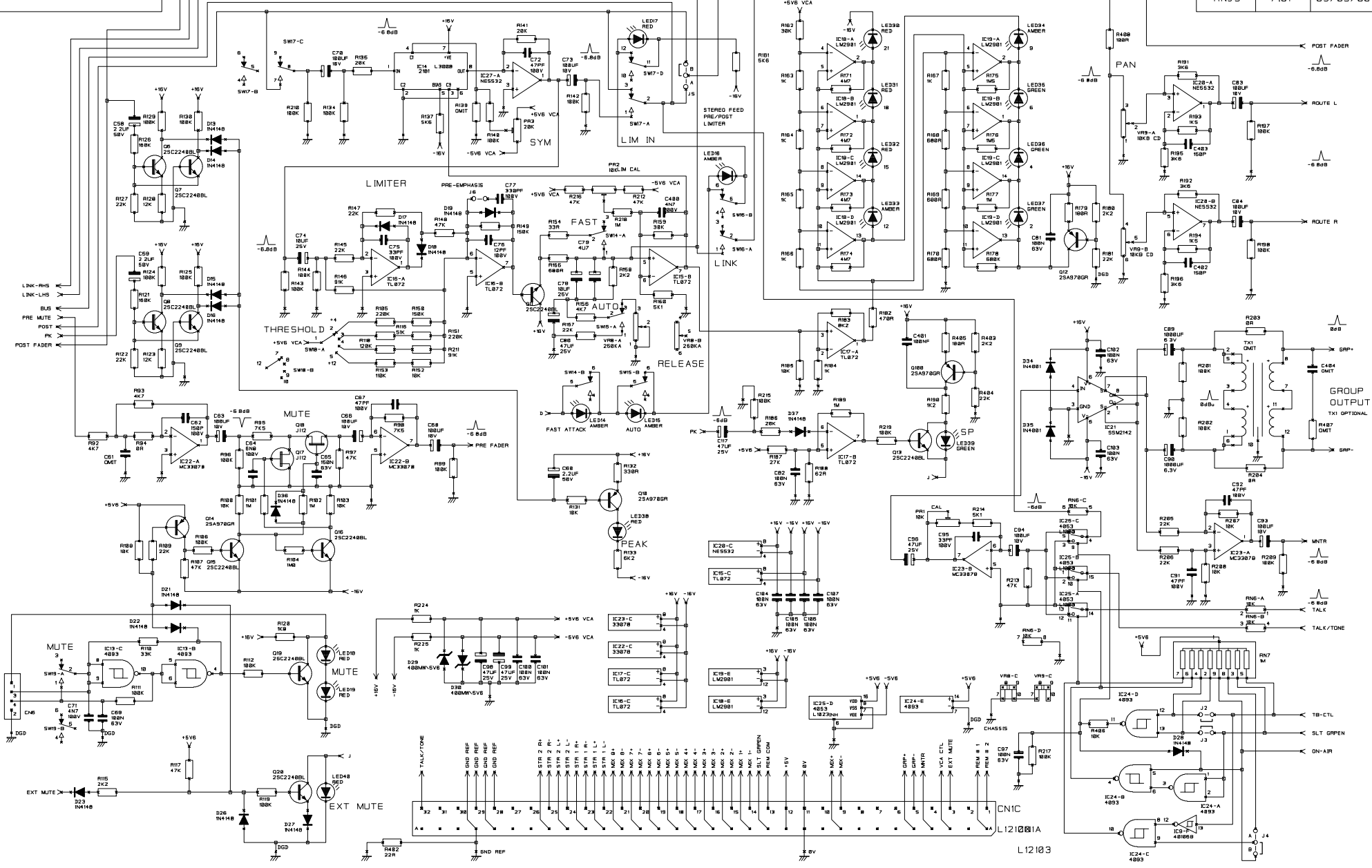
NOTES
PLACE J1 IN POSITION B FOR
FADER OPEN OPERATED FROM REM COMMON.

DRN. CJH/VCR

TITLE
B800 MONO GROUP
OUTPUT MAIN PCB

DRG NO
ED3513A

INITIAL	ISSUE	DATE
RNJS	7:01	03/05/00



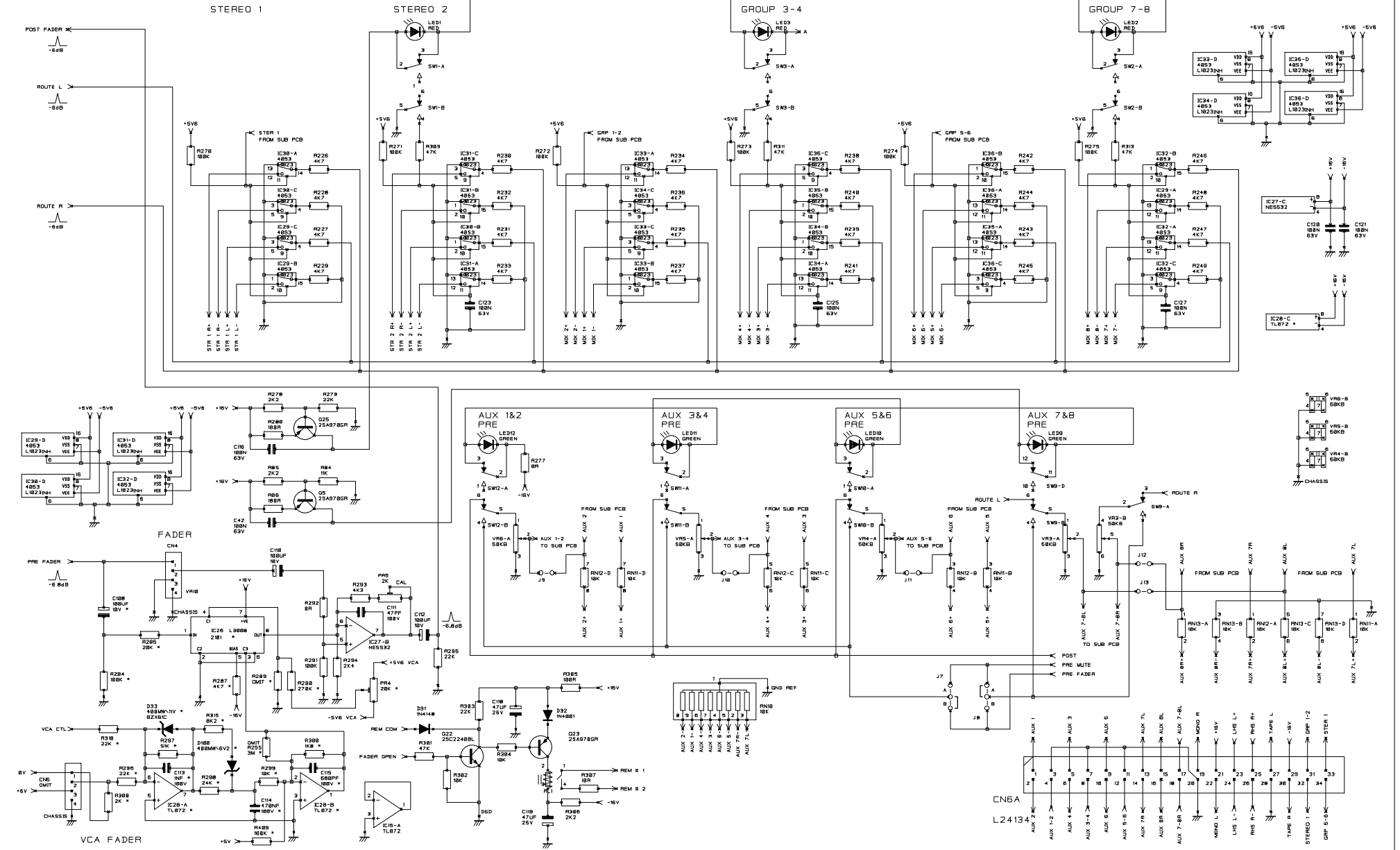
NOTES
 J2 FIT FOR TALKBACK TO REPLACE PROG.
 REMOVE FOR TALKBACK TO MIX WITH PROG.
 J3 FIT FOR SLATE TO REPLACE PROG.
 REMOVE FOR SLATE TO MIX WITH PROG.
 J4 FIT IN POSN B FOR 'ON-AIR' KILLS TB ENABLE.
 J5 FIT IN POSITION B TO BYPASS LIMITER.
 J6 FIT FOR PRE-EMPHASIS.

THE FOLLOWING VALUES CHANGE
 WHEN THE NOMINAL INPUT LEVEL
 IS +6dB +4dB 0dB
 R145 - 91K 68K 43K
 R148 - 47K 36K 22K
 R160 - 5K1 7K5 10K

DRN.	CJH/VCR
------	---------

TITLE
 B800 MONO GROUP
 OUTPUT MAIN PCB

DRG NO
 ED 3513B



NOTES
 J7,J8 POSITION A = PRE-MUTE
 J7,J8 POSITION B = POST MUTE
 J9 - J13 NOT FITTED
 STANDARD VERSION
 COMPONENTS MARKED * OMITTED
 TX1,R407,C404 OMITTED

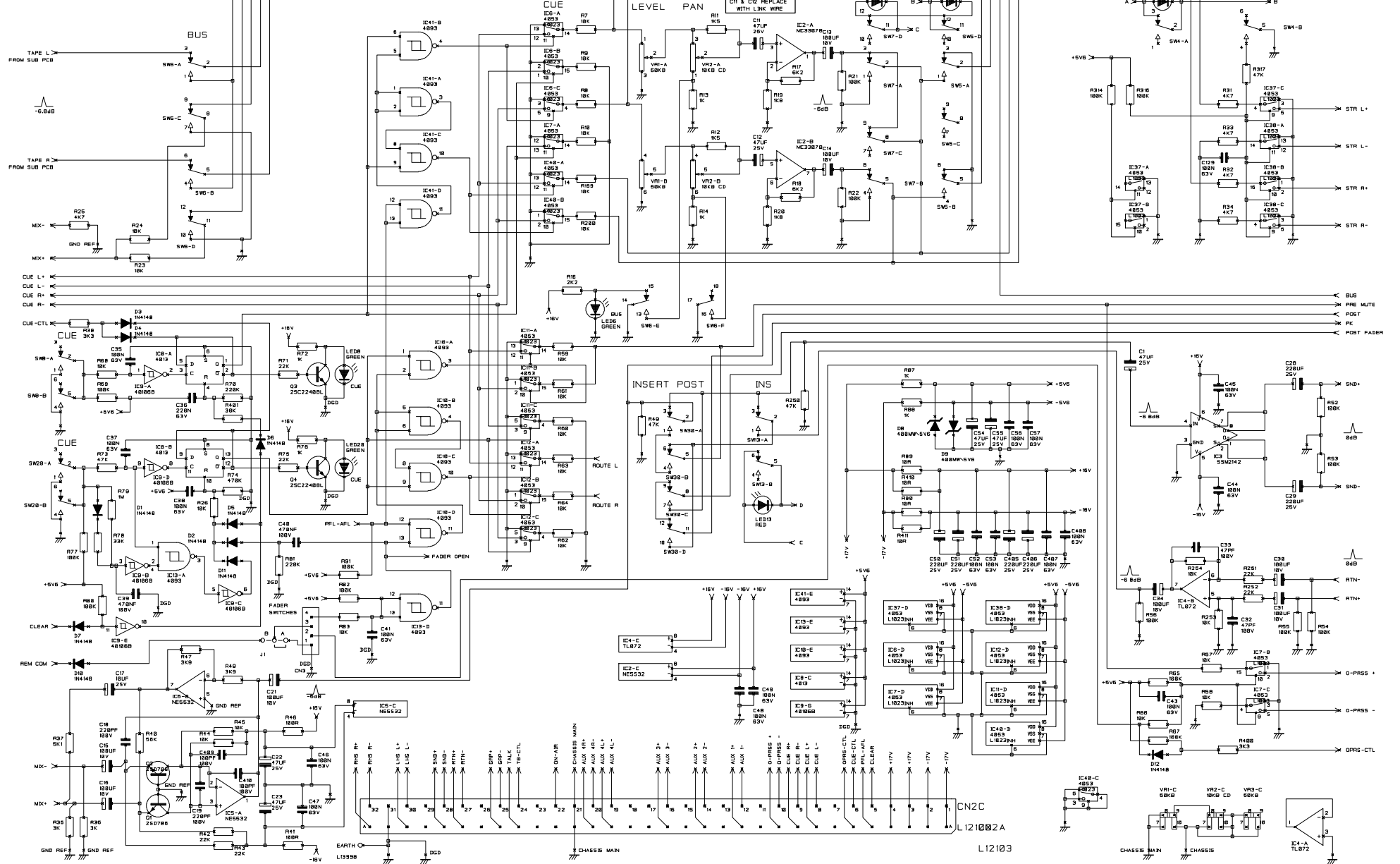
VCA VERSION
 IC10 NOT FITTED
 CN4 NOT FITTED
 R292 NOT FITTED
 R294 NOT FITTED
 R291 IS 0R
 R293 IS 5K1
 R315 OMITTED FOR 0dB FADER TOP
 COMPONENTS MARKED * FITTED

TRANSFORMER VERSION
 R203,204 OMITTED
 TX1 LL1539 FITTED
 C404 4N7 FITTED
 R407 2K2 FITTED
 (SEE SHEET 2)

DRN. CJH/VCR

TITLE
 B800 MONO GROUP
 OUTPUT MAIN PCB
 DRG NO
 ED3513C

INITIAL	ISSUE	DATE
RNJS	7:01	03/05/00

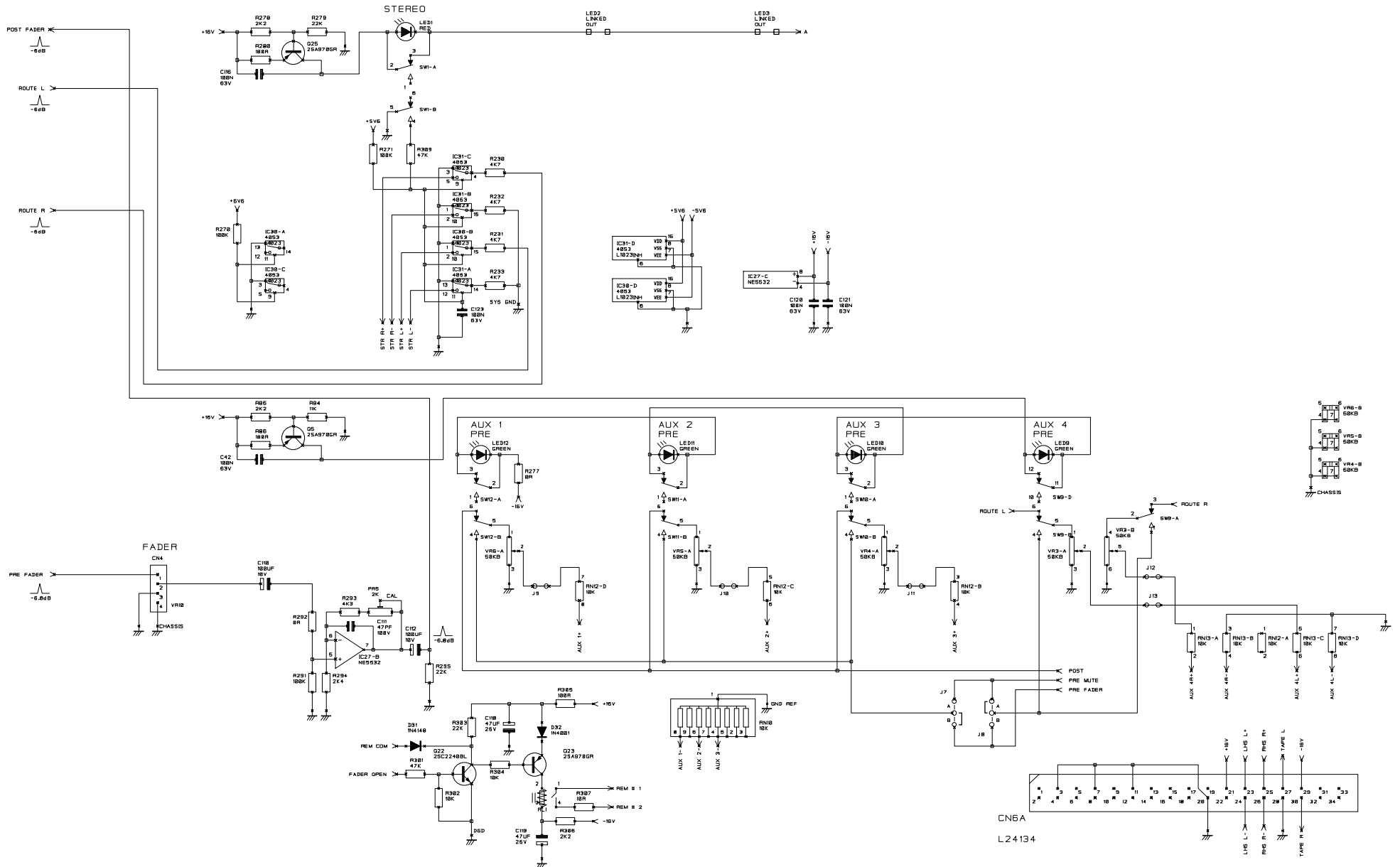


NOTES
PLACE J1 IN POSITION B FOR
FADER OPEN OPERATED FROM REM COMMON.

DRN. CJH/VCR

TITLE
B400 MONO GROUP
OUTPUT MAIN PCB

DRG NO.
ED 3513D

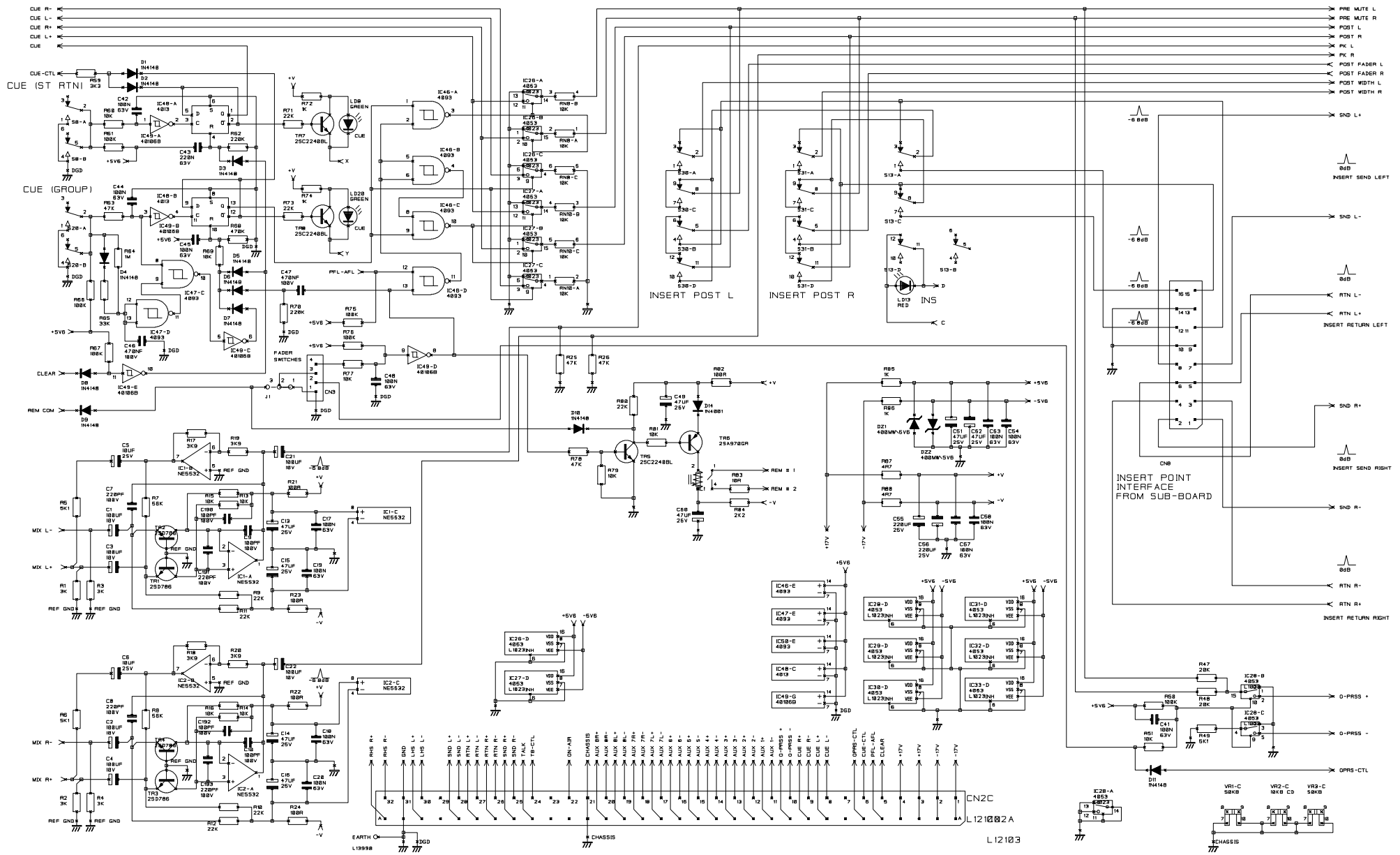


NOTES
 J7, J8 POSITION A = PRE-MUTE
 J7, J8 POSITION B = POST MUTE
 J9 - J13 ALL LINKED ON B400

DRN. CJH/VCR

TITLE
 B400 MONO GROUP
 OUTPUT MAIN PCB

DRG NO.
 ED3513F



NOTES

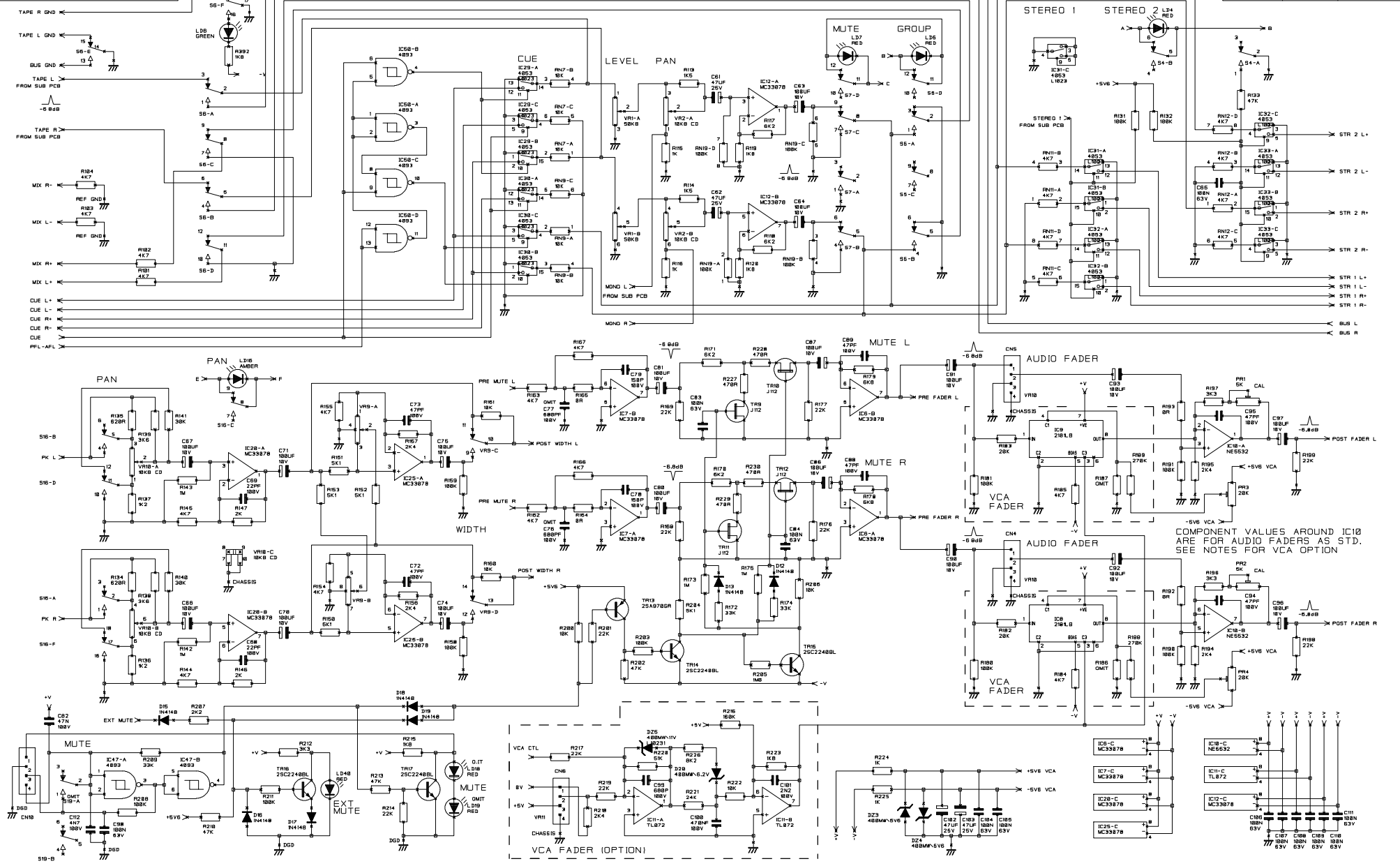
- COMPONENTS USED
 R1 - R26, R47 - R52, R59 - R88
 C1 - C22, C41 - C58
 D1 - D11, D14
 TR1 - TR8
 D21 - D22
 CN2 - CN9, CN8
 RL1
 J1

PLACE J1 ON PINS 2 & 3 FOR
 FADER OPEN OPERATED FROM REM COMMON.

DRN. CJH

TITLE
 B800 STEREO GROUP
 OUTPUT MAIN PCB

DRG NO. ED3514A



NOTES

COMPONENTS USED
 R101 - R104, R110 - R122
 R105 - R107, R108 - R226
 C51 - C112
 TR10 - TR17
 D12, D13, D16 - D20
 D23 - D25
 PRI - PRI4
 C104 - C107
 C76, C77 & C82 ARE OMITTED

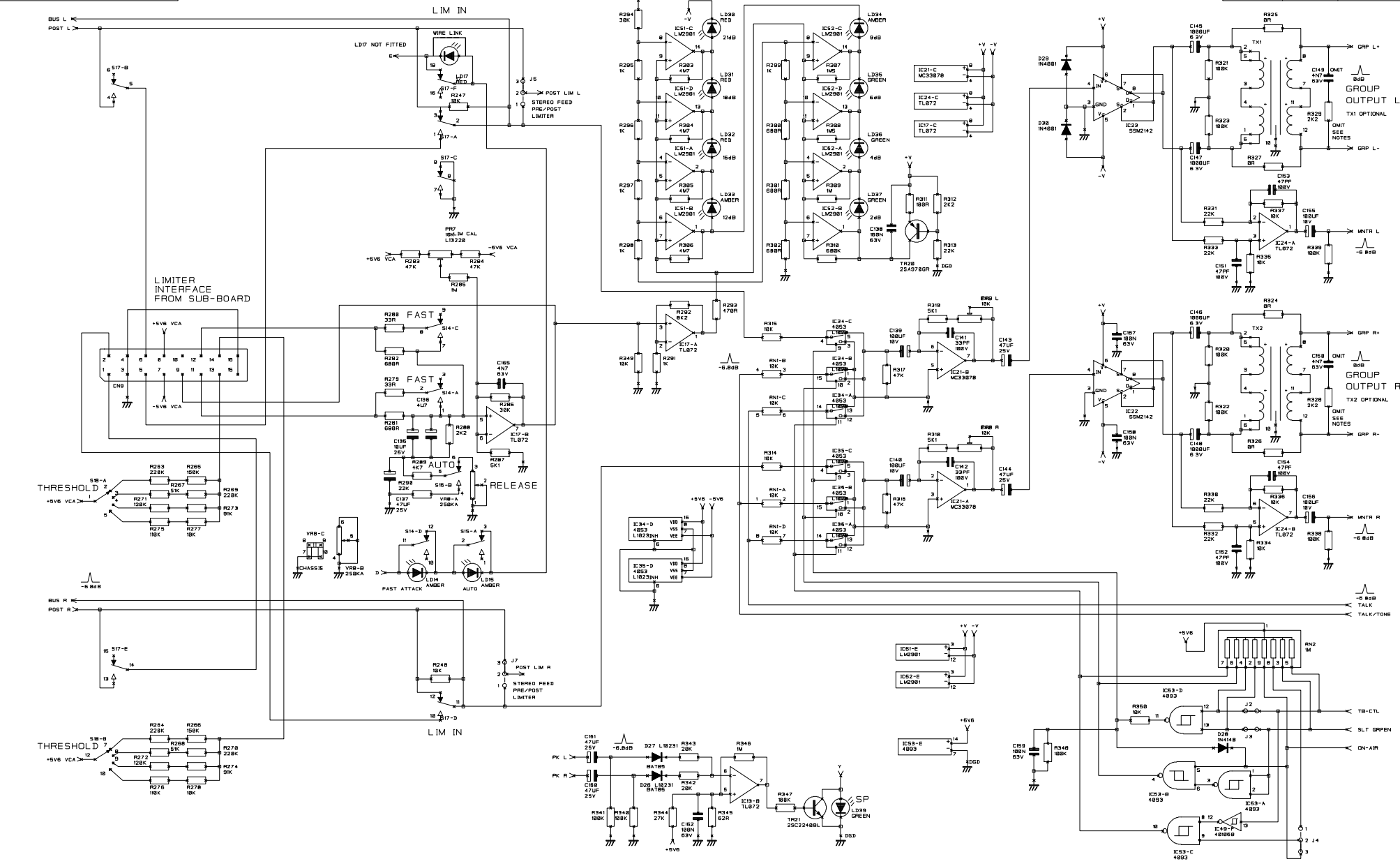
AUDIO FADER
 OMIT THE FOLLOWING COMPONENTS
 R108 - R109, R216 - R223, R226
 IC9, IC10, IC11
 C95 - C101
 PRI0, PRI4
 C106
 D25, 26
 COMPONENT VALUES ARE AS MARKED

VCA FADER OPTION
 OMIT THE FOLLOWING COMPONENTS
 C92, C93, R102 - R106, C104, C105
 THE VALUE OF THE FOLLOWING COMPONENTS CHANGE
 R108, R101 ARE 0R.
 R106, R107 ARE 10K
 PRI1, PRI2 ARE 10K

DRN. CJH

TITLE
 B800 STEREO GROUP
 OUTPUT MAIN PCB

DRG NO. ED3514B



NOTES

COMPONENTS USED
R247, R248, R263 - R358
C135 - C163
D26 - D38
TR26 - TR31
PR7 - PR9
J2 - J4, J7, J8
RN1 - RN2

TRANSFORMER OPTIONS
WITH TRANSFORMERS
FIT C149, C156, 40P
FIT R326, R329, 2X2
OMIT R324 TO R327
WITHOUT TRANSFORMERS
FIT R324 TO R327 OR
OMIT C149, C156, R326, R329

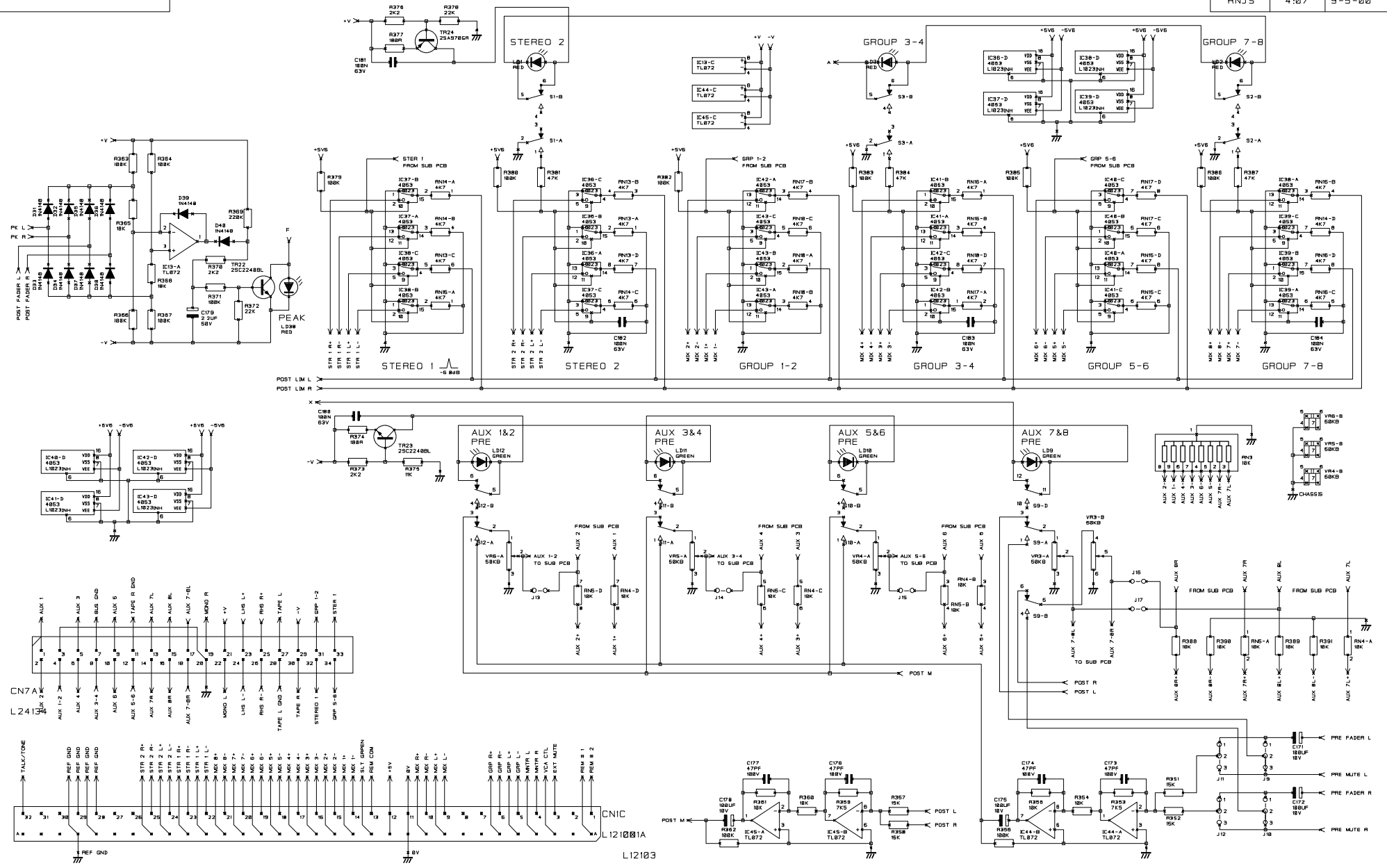
J2 FIT FOR TALKBACK TO REPLACE PRG.
REMOVE FOR TALKBACK TO MX WITH PRG.
J3 FIT FOR SLATE TO REPLACE PRG.
REMOVE FOR SLATE TO MX WITH PRG.
J4 FIT TO PINS 1 & 2 FOR 'ON-AIR' TO KILL TB ENABLE
J5, J7 FIT TO PINS 1 & 2 TO BYPASS LIMITER.

THE FOLLOWING VALUES CHANGE
WHEN THE NOMINAL INPUT LEVEL IS 16dB
R255, R256 - 91K
R259, R266 - 47K
R287 - 5K1

DRN. CJH

TITLE
B800 STEREO GROUP
OUTPUT MAIN PCB

DRG NO
ED3514C



NOTES

- COMPONENTS USED
 R351 - R391
 C371 - C384
 C391 - C408
 TR24 - TR24
 J19 - J17
 RN3 - RN5, RN13 - RN18
 CN1: CN7

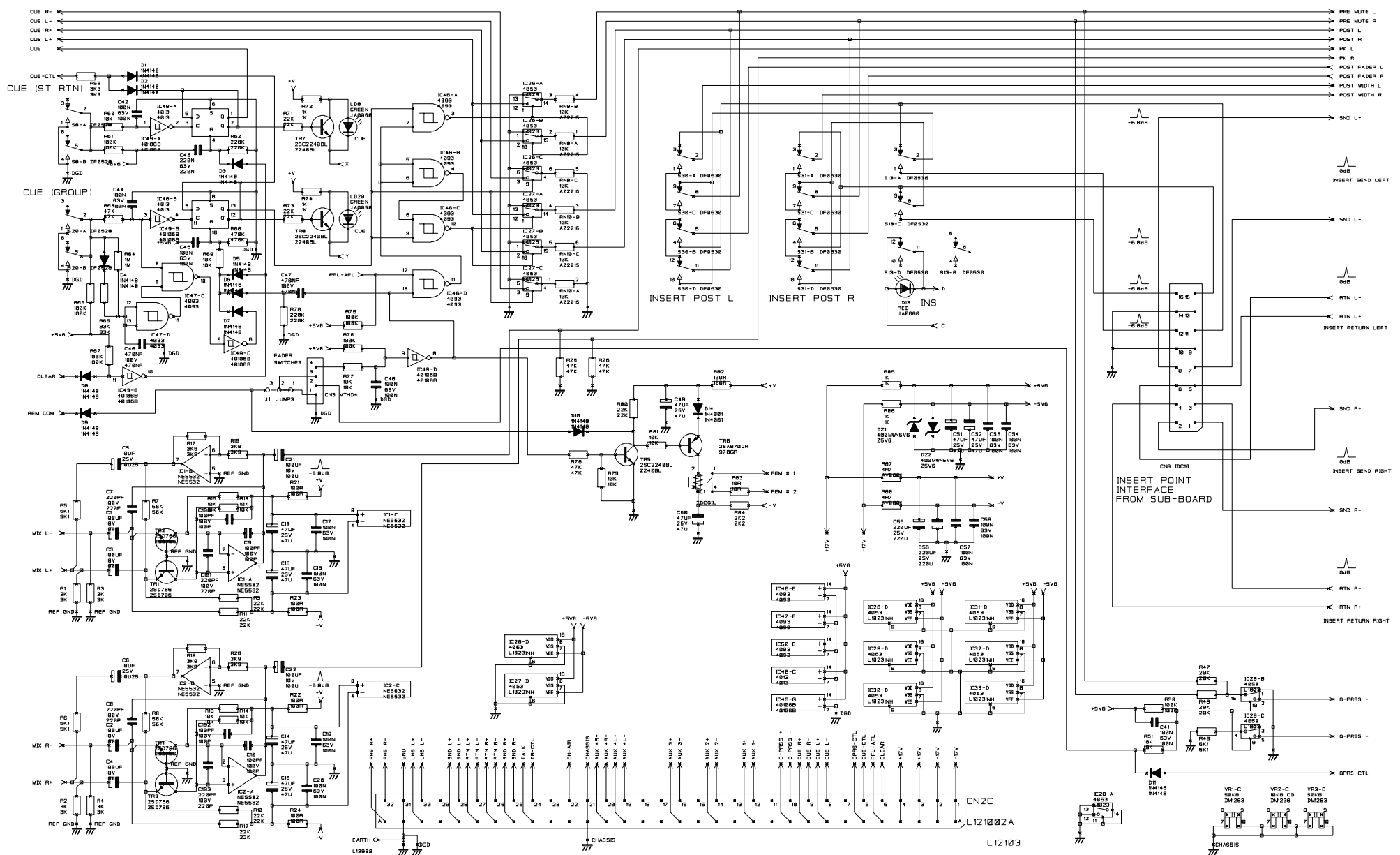
- J9, J10 PINS 1 & 2 - PRE FADER, PINS 2 & 3 - PRE MUTE STEREO AUX 7/8
 J11, J12 PINS 1 & 2 - PRE FADER, PINS 2 & 3 - PRE MUTE MOND SUM FOR AUX 1 TO 6
 J19 - J17 NOT USED ON B800

DRN. CJH

TITLE
 B800 STEREO GROUP
 OUTPUT MAIN PCB

DRG NO. ED3514D

INITIAL	ISSUE	DATE
RNJS	4:07	9-5-00



NOTES

COMPONENTS USED
 R1 - R26, R47 - R52, R59 - R88
 C1 - C23, C41 - C58
 D1 - D11, D14
 TR1 - TR8
 DZ1 - DZ2
 CN2 - CN3, CN8
 J1

PLACE J1 ON PINS 2 & 3 FOR
 FADER OPEN OPERATED FROM REM COMMON.

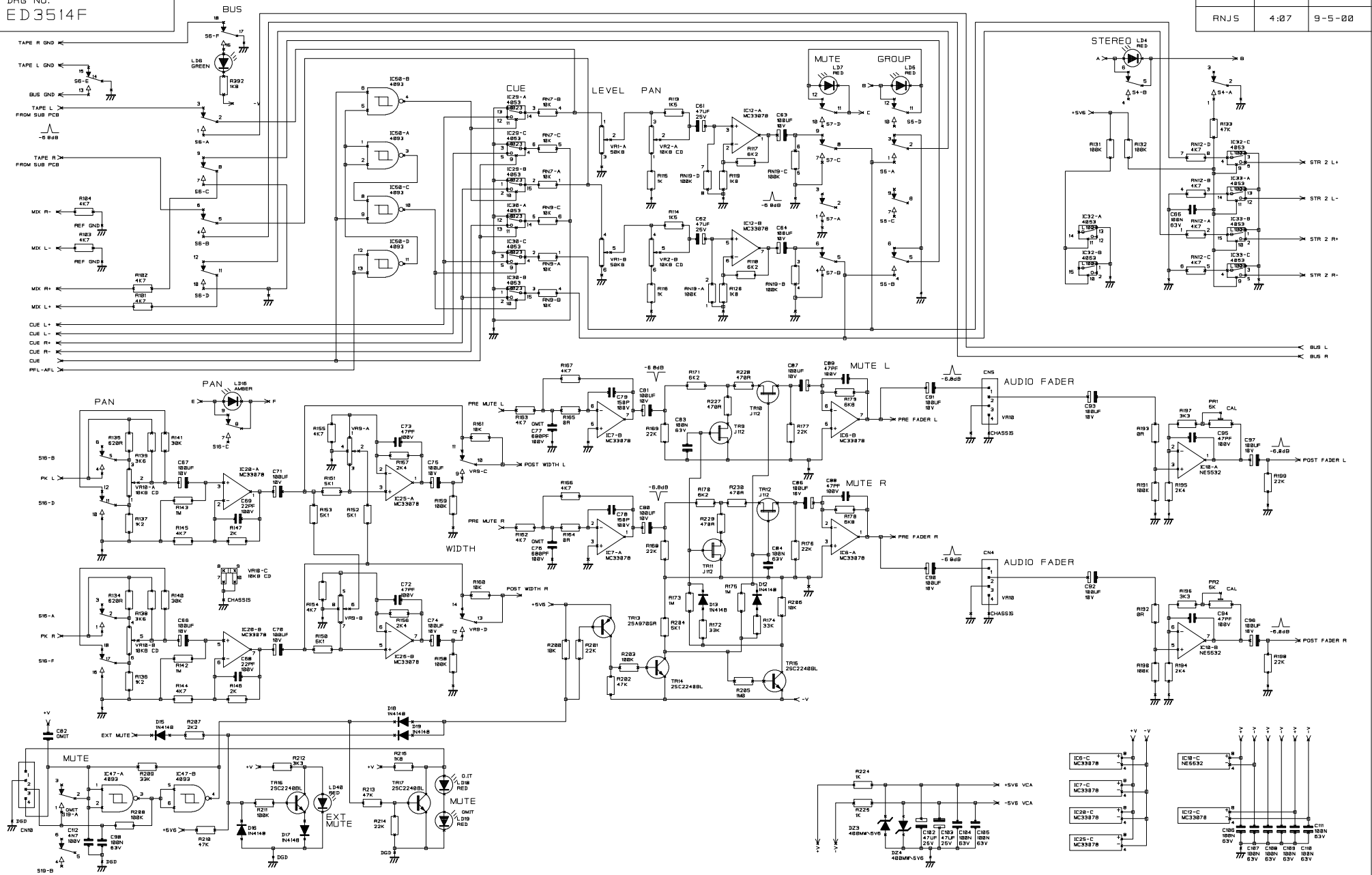
DRN. CJH

TITLE
 B400 STEREO GROUP
 OUTPUT MAIN PCB

DRG NO.
 ED 3514E

DRG NO.
ED 3514F

INITIAL	ISSUE	DATE
RNJS	4:07	9-5-00

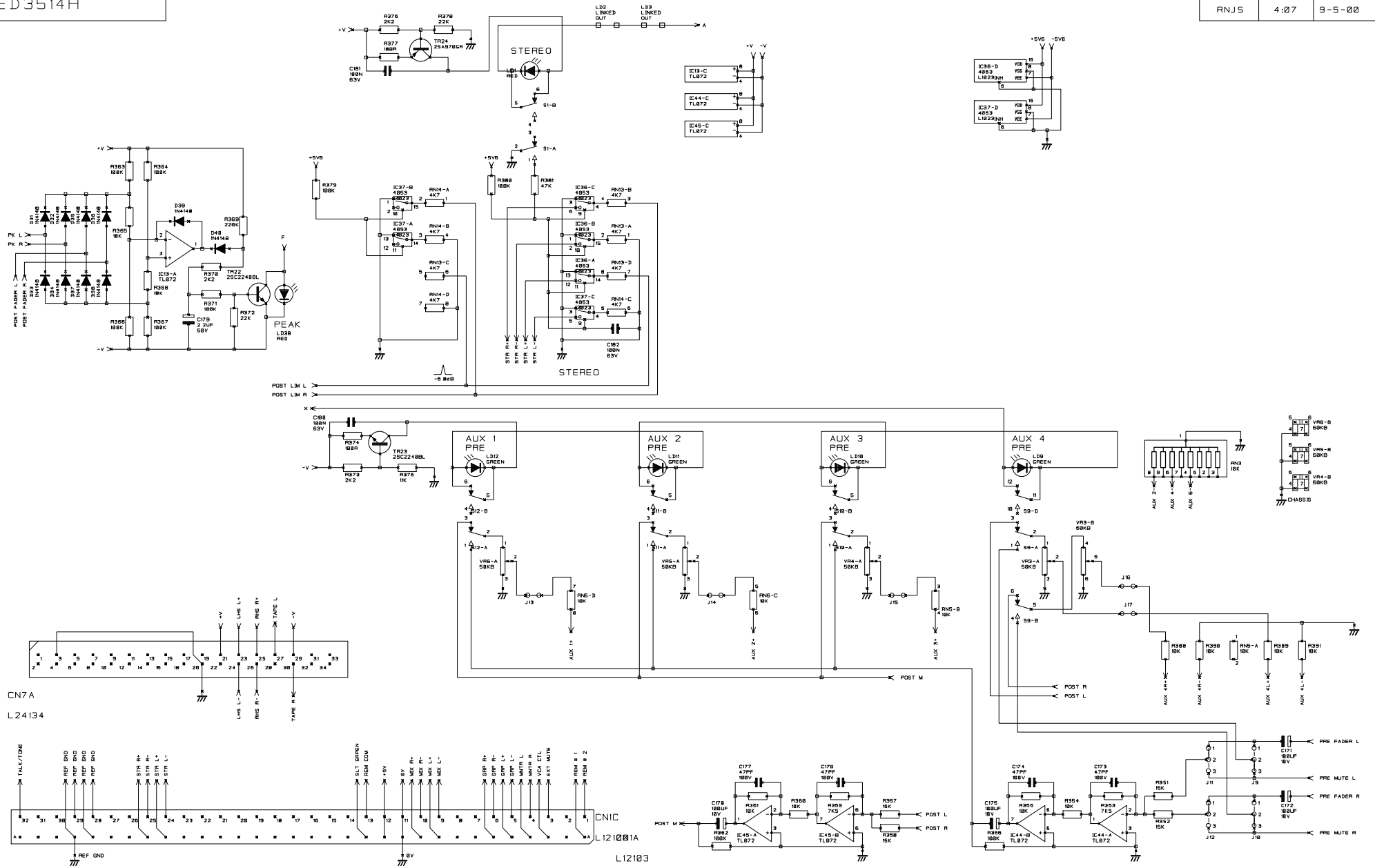


NOTES
COMPONENTS USED
R101 - R104, R113 - R122
R131 - R147, R158 - R228
C61 - C112
TR8 - TR9
D12, D13, D16 - D20
D29 - D25
PR1 - PR4
CN4 - CN7
R17, R19, R11, R12
C76 & C77 ARE OMITTED

DRN. CJH

TITLE
B400 STEREO GROUP
OUTPUT MAIN PCB
DRG NO.
ED 3514F

INITIAL	ISSUE	DATE
RNJS	4:07	9-5-00



NOTES

COMPONENTS USED
 R351 - R391
 C171 - C184
 D31 - D49
 TR22 - TR24
 J9 - J17
 RN3 - RNS, RN13 - RN18
 CN1, CN7

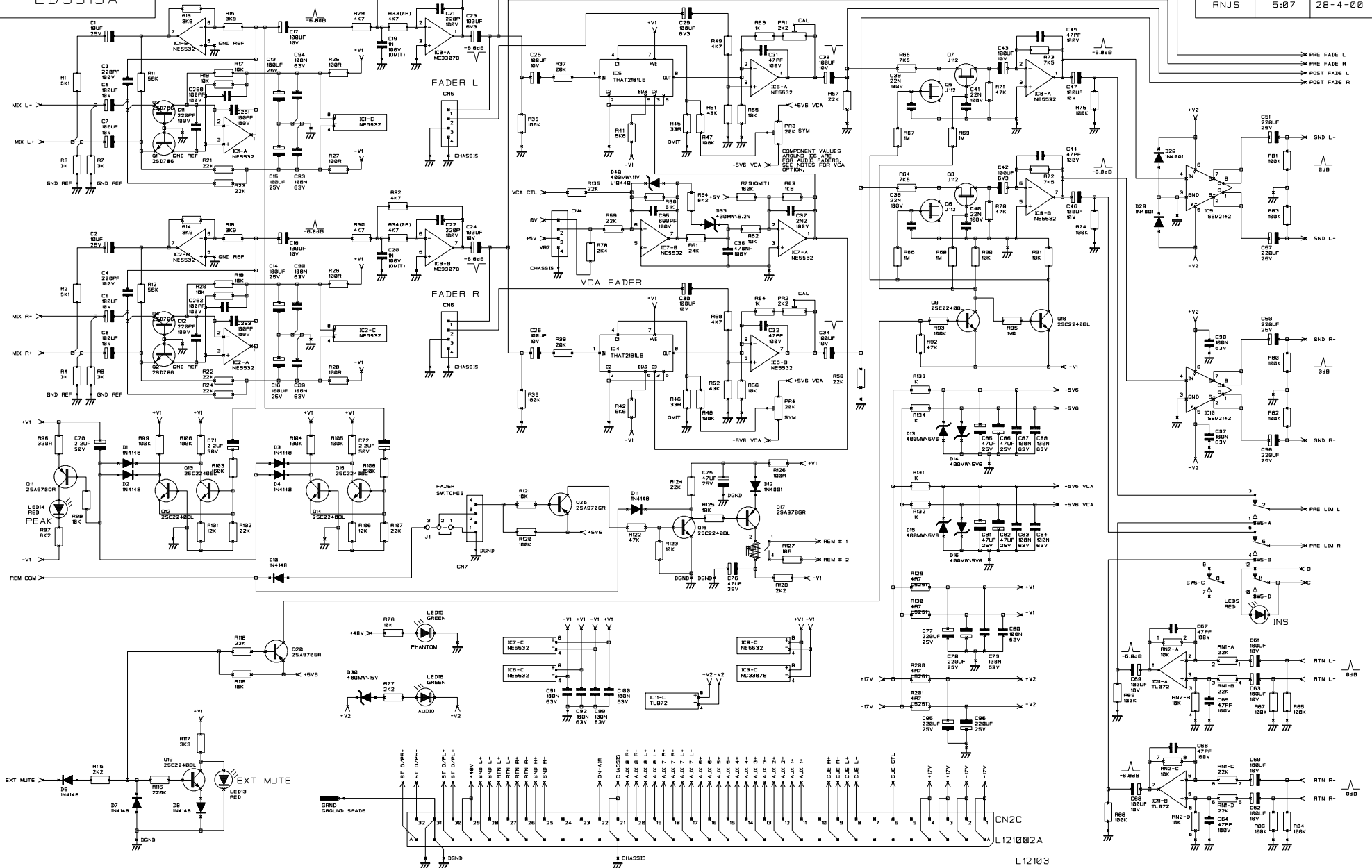
J9, J10 PINS 1 & 2 - PRE FADER, PINS 2 & 3 - PRE MUTE STEREO AUX 7/8
 J11, J12 PINS 1 & 2 - PRE FADER, PINS 2 & 3 - PRE MUTE MONO SUM FOR AUX 1 TO 6.
 J19 - J17 ARE LINKED ON 6488

DRN. CJH

TITLE
 B400 STEREO GROUP
 OUTPUT MAIN PCB

DRG NO.
 ED3514H

INITIAL	ISSUE	DATE
RNJS	5:07	28-4-00



NOTES

COMPONENTS USED
 R1 - R8, R11 - R30, R41 - R42
 R45 - R48, R51 - R52, R58, R201
 C1 - C28, C29 - C47, C58
 C61, C62, C67, C68 - C79
 C76 - C80
 IC1 - IC11
 D1 - D6, D7, D8, D9 - D16
 D20 - D24, D46
 CN2, CN4 - CN7
 LED3, LED10, LED15, LED16

PLACE J1 ON PINS 2 & 3 FOR FADER OPEN OPERATED FROM REM COM

Q1 - Q7, Q9, Q20, Q26

IC1 - IC11
 D1 - D6, D7, D8, D9 - D16
 D20 - D24, D46
 CN2, CN4 - CN7
 LED3, LED10, LED15, LED16

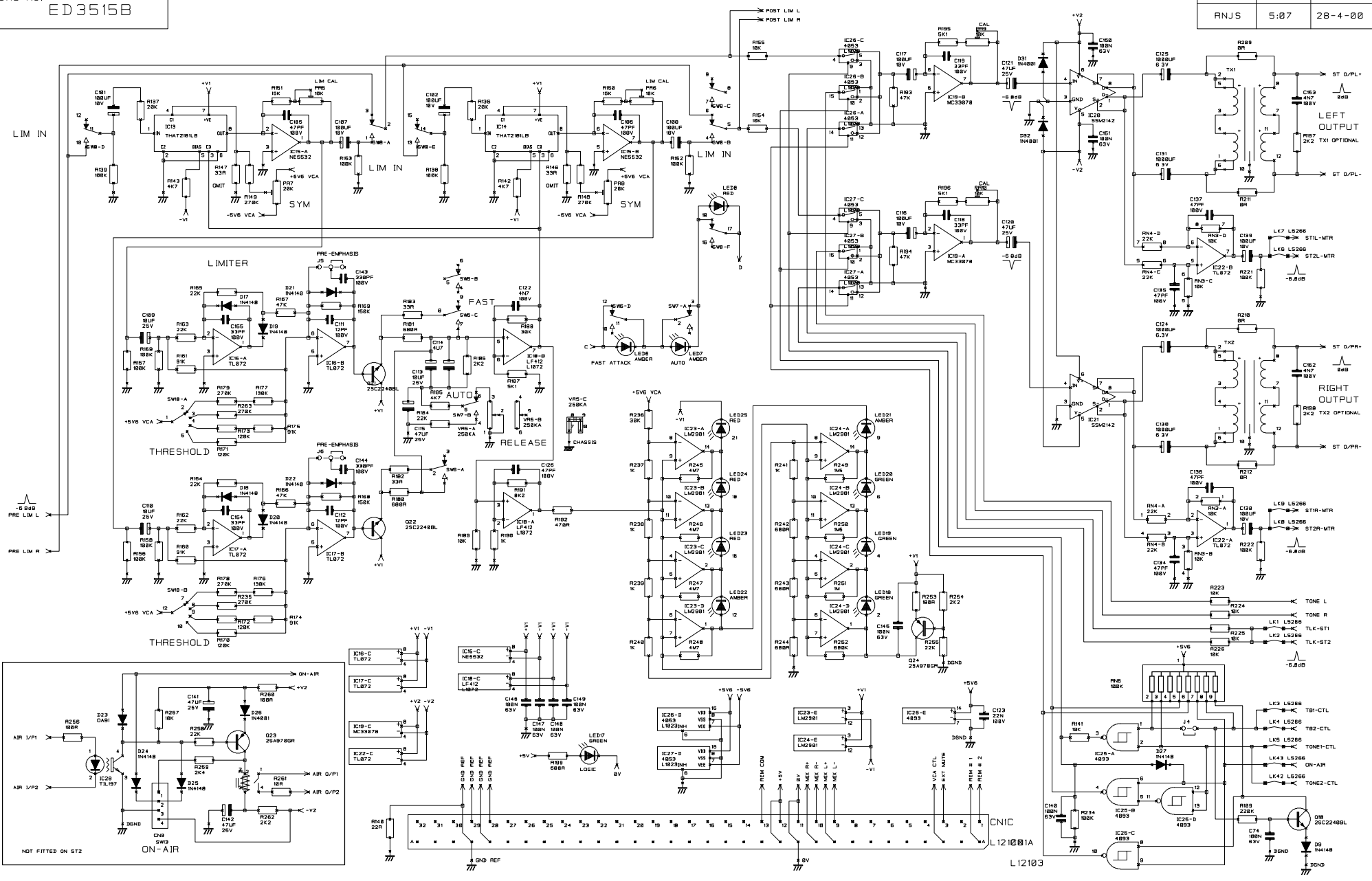
AUDIO FADER AS STANDARD OMIT THE FOLLOWING COMPONENTS:
 R35 TO R38, R41, R42, R55, R56, R58, CH5, CH6
 R45 TO R48, R61, R62, C26, C28
 R4, R5, R7, R9, R10, R11, R12, R13, R14, R15, R16, R17, R18, R19, R20, R21, R22, R23, R24, R25, R26, R27, R28, R29, R30, R31, R32, R33, R34, R35, R36, R37, R38, R39, R40, R41, R42, R43, R44, R45, R46, R47, R48, R49, R50, R51, R52, R53, R54, R55, R56, R57, R58, R59, R60, R61, R62, R63, R64, R65, R66, R67, R68, R69, R70, R71, R72, R73, R74, R75, R76, R77, R78, R79, R80, R81, R82, R83, R84, R85, R86, R87, R88, R89, R90, R91, R92, R93, R94, R95, R96, R97, R98, R99, R100, R101, R102, R103, R104, R105, R106, R107, R108, R109, R110, R111, R112, R113, R114, R115, R116, R117, R118, R119, R120, R121, R122, R123, R124, R125, R126, R127, R128, R129, R130, R131, R132, R133, R134, R135, R136, R137, R138, R139, R140, R141, R142, R143, R144, R145, R146, R147, R148, R149, R150, R151, R152, R153, R154, R155, R156, R157, R158, R159, R160, R161, R162, R163, R164, R165, R166, R167, R168, R169, R170, R171, R172, R173, R174, R175, R176, R177, R178, R179, R180, R181, R182, R183, R184, R185, R186, R187, R188, R189, R190, R191, R192, R193, R194, R195, R196, R197, R198, R199, R200, R201, R202, R203, R204, R205, R206, R207, R208, R209, R210, R211, R212, R213, R214, R215, R216, R217, R218, R219, R220, R221, R222, R223, R224, R225, R226, R227, R228, R229, R230, R231, R232, R233, R234, R235, R236, R237, R238, R239, R240, R241, R242, R243, R244, R245, R246, R247, R248, R249, R250, R251, R252, R253, R254, R255, R256, R257, R258, R259, R260, R261, R262, R263, R264, R265, R266, R267, R268, R269, R270, R271, R272, R273, R274, R275, R276, R277, R278, R279, R280, R281, R282, R283, R284, R285, R286, R287, R288, R289, R290, R291, R292, R293, R294, R295, R296, R297, R298, R299, R300, R301, R302, R303, R304, R305, R306, R307, R308, R309, R310, R311, R312, R313, R314, R315, R316, R317, R318, R319, R320, R321, R322, R323, R324, R325, R326, R327, R328, R329, R330, R331, R332, R333, R334, R335, R336, R337, R338, R339, R340, R341, R342, R343, R344, R345, R346, R347, R348, R349, R350, R351, R352, R353, R354, R355, R356, R357, R358, R359, R360, R361, R362, R363, R364, R365, R366, R367, R368, R369, R370, R371, R372, R373, R374, R375, R376, R377, R378, R379, R380, R381, R382, R383, R384, R385, R386, R387, R388, R389, R390, R391, R392, R393, R394, R395, R396, R397, R398, R399, R400, R401, R402, R403, R404, R405, R406, R407, R408, R409, R410, R411, R412, R413, R414, R415, R416, R417, R418, R419, R420, R421, R422, R423, R424, R425, R426, R427, R428, R429, R430, R431, R432, R433, R434, R435, R436, R437, R438, R439, R440, R441, R442, R443, R444, R445, R446, R447, R448, R449, R450, R451, R452, R453, R454, R455, R456, R457, R458, R459, R460, R461, R462, R463, R464, R465, R466, R467, R468, R469, R470, R471, R472, R473, R474, R475, R476, R477, R478, R479, R480, R481, R482, R483, R484, R485, R486, R487, R488, R489, R490, R491, R492, R493, R494, R495, R496, R497, R498, R499, R500, R501, R502, R503, R504, R505, R506, R507, R508, R509, R510, R511, R512, R513, R514, R515, R516, R517, R518, R519, R520, R521, R522, R523, R524, R525, R526, R527, R528, R529, R530, R531, R532, R533, R534, R535, R536, R537, R538, R539, R540, R541, R542, R543, R544, R545, R546, R547, R548, R549, R550, R551, R552, R553, R554, R555, R556, R557, R558, R559, R560, R561, R562, R563, R564, R565, R566, R567, R568, R569, R570, R571, R572, R573, R574, R575, R576, R577, R578, R579, R580, R581, R582, R583, R584, R585, R586, R587, R588, R589, R590, R591, R592, R593, R594, R595, R596, R597, R598, R599, R600, R601, R602, R603, R604, R605, R606, R607, R608, R609, R610, R611, R612, R613, R614, R615, R616, R617, R618, R619, R620, R621, R622, R623, R624, R625, R626, R627, R628, R629, R630, R631, R632, R633, R634, R635, R636, R637, R638, R639, R640, R641, R642, R643, R644, R645, R646, R647, R648, R649, R650, R651, R652, R653, R654, R655, R656, R657, R658, R659, R660, R661, R662, R663, R664, R665, R666, R667, R668, R669, R670, R671, R672, R673, R674, R675, R676, R677, R678, R679, R680, R681, R682, R683, R684, R685, R686, R687, R688, R689, R690, R691, R692, R693, R694, R695, R696, R697, R698, R699, R700, R701, R702, R703, R704, R705, R706, R707, R708, R709, R710, R711, R712, R713, R714, R715, R716, R717, R718, R719, R720, R721, R722, R723, R724, R725, R726, R727, R728, R729, R730, R731, R732, R733, R734, R735, R736, R737, R738, R739, R740, R741, R742, R743, R744, R745, R746, R747, R748, R749, R750, R751, R752, R753, R754, R755, R756, R757, R758, R759, R760, R761, R762, R763, R764, R765, R766, R767, R768, R769, R770, R771, R772, R773, R774, R775, R776, R777, R778, R779, R780, R781, R782, R783, R784, R785, R786, R787, R788, R789, R790, R791, R792, R793, R794, R795, R796, R797, R798, R799, R800, R801, R802, R803, R804, R805, R806, R807, R808, R809, R810, R811, R812, R813, R814, R815, R816, R817, R818, R819, R820, R821, R822, R823, R824, R825, R826, R827, R828, R829, R830, R831, R832, R833, R834, R835, R836, R837, R838, R839, R840, R841, R842, R843, R844, R845, R846, R847, R848, R849, R850, R851, R852, R853, R854, R855, R856, R857, R858, R859, R860, R861, R862, R863, R864, R865, R866, R867, R868, R869, R870, R871, R872, R873, R874, R875, R876, R877, R878, R879, R880, R881, R882, R883, R884, R885, R886, R887, R888, R889, R890, R891, R892, R893, R894, R895, R896, R897, R898, R899, R900, R901, R902, R903, R904, R905, R906, R907, R908, R909, R910, R911, R912, R913, R914, R915, R916, R917, R918, R919, R920, R921, R922, R923, R924, R925, R926, R927, R928, R929, R930, R931, R932, R933, R934, R935, R936, R937, R938, R939, R940, R941, R942, R943, R944, R945, R946, R947, R948, R949, R950, R951, R952, R953, R954, R955, R956, R957, R958, R959, R960, R961, R962, R963, R964, R965, R966, R967, R968, R969, R970, R971, R972, R973, R974, R975, R976, R977, R978, R979, R980, R981, R982, R983, R984, R985, R986, R987, R988, R989, R990, R991, R992, R993, R994, R995, R996, R997, R998, R999, R1000

VCA FADER OPTION
 OMIT THE FOLLOWING COMPONENTS:
 C29, C30, R49, R50, R52, R53, CH5, CH6
 THE VALUE OF THE FOLLOWING COMPONENTS CHANGE
 R51, R52 ARE 5K
 R53, R54 ARE 10K
 R55, R56 ARE 10K
 IN ADDITION R78 (100K) PROVIDES +10V AT FADER TOP

DRN. CJH

TITLE
 SOUNDCRAFT 8800
 STEREO MASTER

DRG NO
 ED3515A



NOTES

COMPONENTS USED:
 R186 - R189, R190, R191, R192
 R193 - R210, R211 - R220
 R234 - R260
 C181 - C126, C74
 C18, C19, C20, C185
 D17 - D27, D9, D32, D9
 Q21 - Q24, D18
 LE25 - LE28
 LED17 - LED26

R193 - R195
 IC13 - IC28
 SW6 - SW8, SW9, SW10
 J4 - J6
 V16
 C18, C19, C20, C185
 D17 - D27, D9, D32, D9
 Q21 - Q24, D18
 LK1 - LK9
 RL2

J4 FIT FOR TALKBACK TO REPLACE PROG REMOVE FOR TALKBACK TO MIX WITH PROG.
 J5, J6 FIT FOR PRE-EMPHASIS
 LK1, LK2, LK3, LK4, LK8 FITTED ON STEREO MASTER 1
 LK2, LK4, LK6, LK8, LK42 FITTED ON STEREO MASTER 2

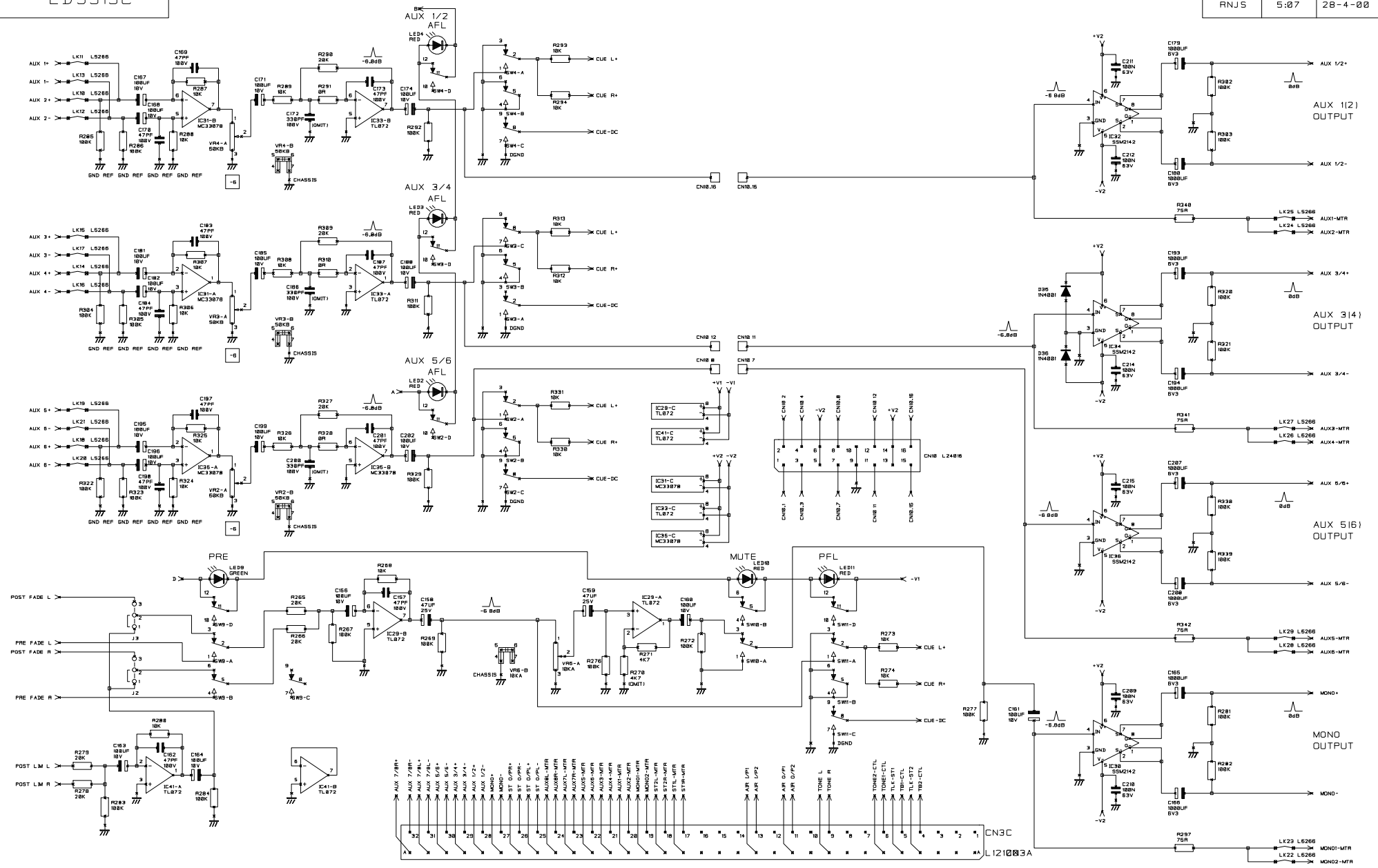
FOR "880" OPERATION LIMITER THRESHOLD CHANGES
 R186: R181 (10K) FIT 43K
 R187: R187 (47K) FIT 22K
 R187: 15K11 FIT 18K

DRN. CJH

TITLE
**SOUNDCRAFT 8800
 STEREO MASTER**

DRG NO. ED3515B

Sheet 2 of 8



NOTES

COMPONENTS USED:
 R205 - R274, R278 - R284, R287, R382 - R319
 R326 - R338, R338 - R342
 C166 - C168, C162 - C174, C178 - C188
 C193 - C202
 C207 - C216
 D33 - D36
 IC28 - IC36, IC41
 LED3 - LED4
 LED9 - LED11
 S99 - SW1

TRANSFORMERS FOR AUX AND MONO OUTPUTS ARE OPTIONALLY FITTED TO MOTHERBOARD
 LK11, LK15, LK16, LK17, LK18, LK21, LK23, LK26, LK27, LK28 FITTED ON STEREO MASTER 1
 LK16A, LK17A, LK18A, LK19A, LK20A, LK21A, LK22A, LK23A, LK24A, LK25A, LK26A, LK27A, LK28A FITTED ON STEREO MASTER 2
 C172, C166, C208, R278 ARE OMITTED.
 J2, J3 ON PINS 1 & 2 FOR POST FADER, PRE LATER TO MONO OUTPUT POST SELECTION
 J2, J3 ON PINS 2 & 3 FOR POST FADER, PRE LATER TO MONO OUTPUT POST SELECTION.

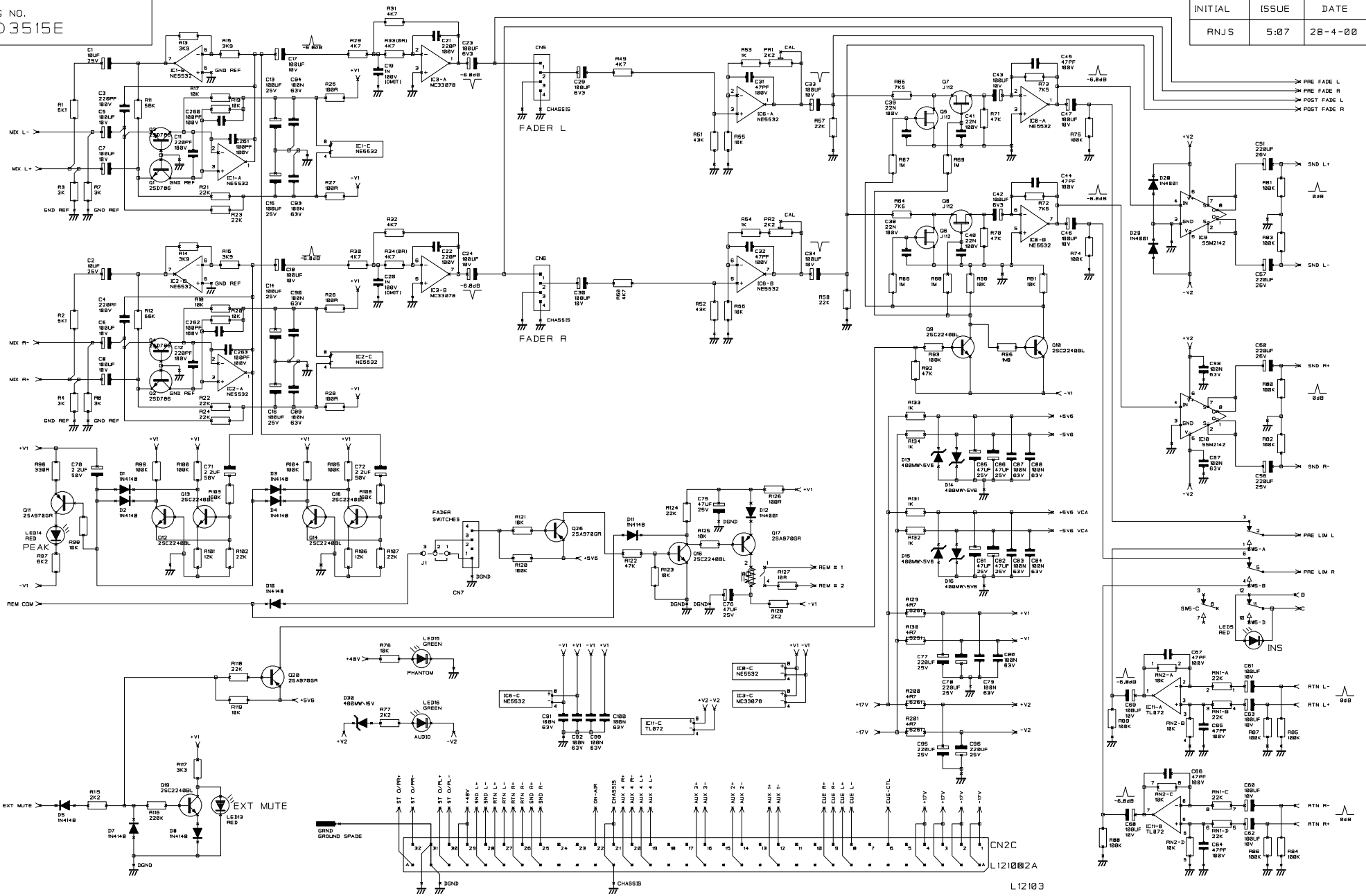
DRN. CJH

TITLE
 SOUNDRAFT B800
 STEREO MASTER

DRG NO. ED3515C

DRG NO.
ED 3515E

INITIAL	ISSUE	DATE
RNJS	5:07	28-4-00



NOTES

COMPONENTS USED PLACE J1 ON PINS 2 & 3 FOR FADER OPEN OPERATED FROM REM COM

R1 - R8, R11 - R30, R41 - R62
 R65 - R88, R15 - R155, R200, R201
 C1 - C28, C29 - C47, C50
 C51, C56, C57, C60 - C79
 C75 - C100
 IC1 - IC1
 D1 - D6, D7, D8, D10 - D16
 D20 - D20, D40
 CN2, CN4 - CN7
 LED5, LED9, LED5B, LED5B

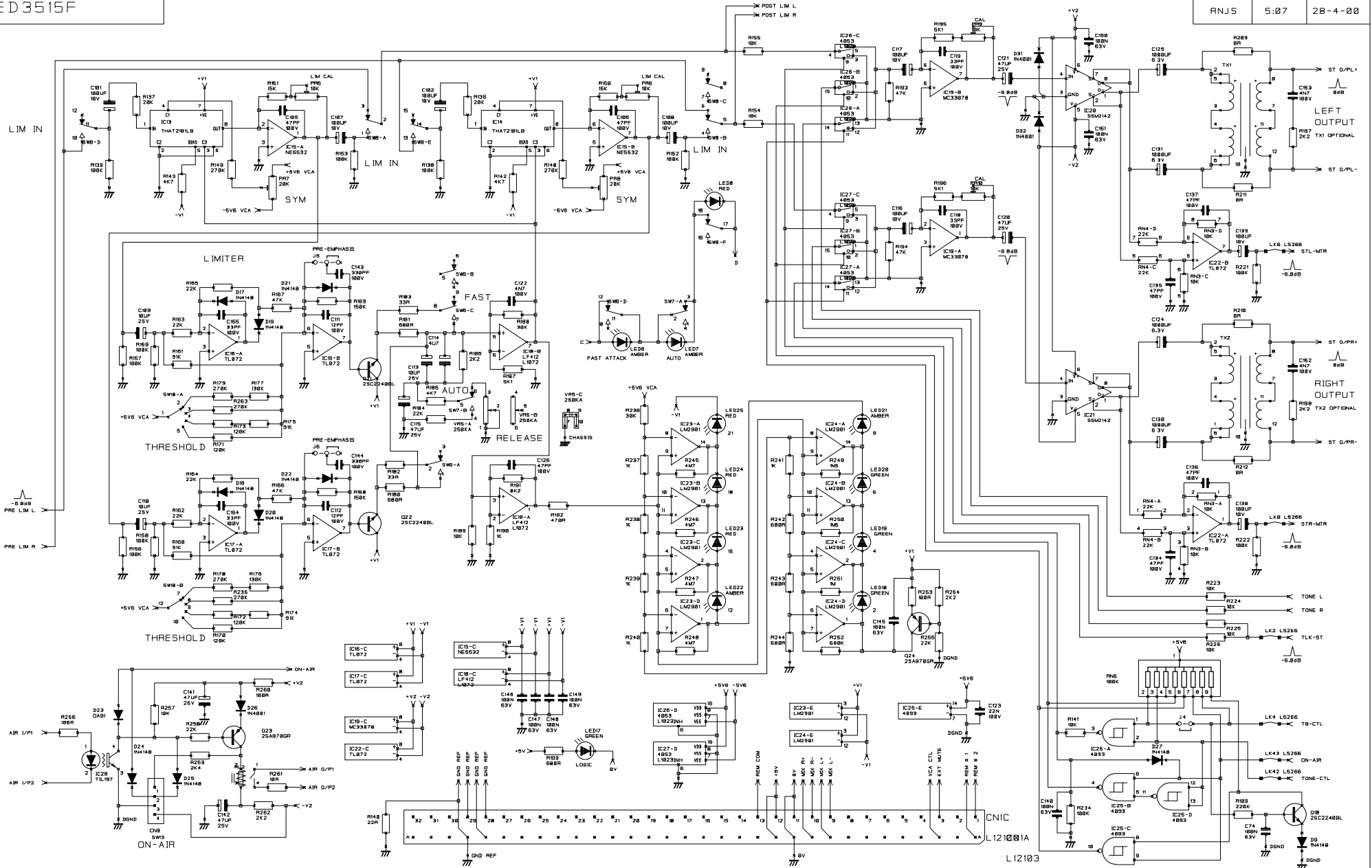
D1 - D7, D9, D20, D26
 PR1 - PR4
 RN1 - RN2
 SWS
 PL1
 J1

DRN. CJH

TITLE
SOUNDCRAFT B400
STEREO MASTER

DRG NO.
ED 3515E

INITIAL	ISSUE	DATE
RNJS	5:07	28-4-00



NOTES

- COMPONENTS USED:
 R195 - R198, R199, R200
 R209 - R212, R221 - R226
 R196 - R198
 R234 - R269
 C181 - C186, C74
 C198, C19, C134 - C18
 D17 - D27, D9, D19, D2, D8
 Q21 - Q24, D18
 LK1 - LK9
 LED17 - LED26
 R193 - R195
 IC18 - IC28
 SW16 - SW18, SW15, SW18
 J4 - J8
 C198, C19, C134 - C18
 D17 - D27, D9, D19, D2, D8
 Q21 - Q24, D18
 LK1 - LK9
 LED17 - LED26
 R12

- J4 FIT FOR TALKBACK TO REPLACE PROG
 REMOVE FOR TALKBACK TO MIX WITH PROG.
 J5, J6 FIT FOR PRE-EMPHASIS

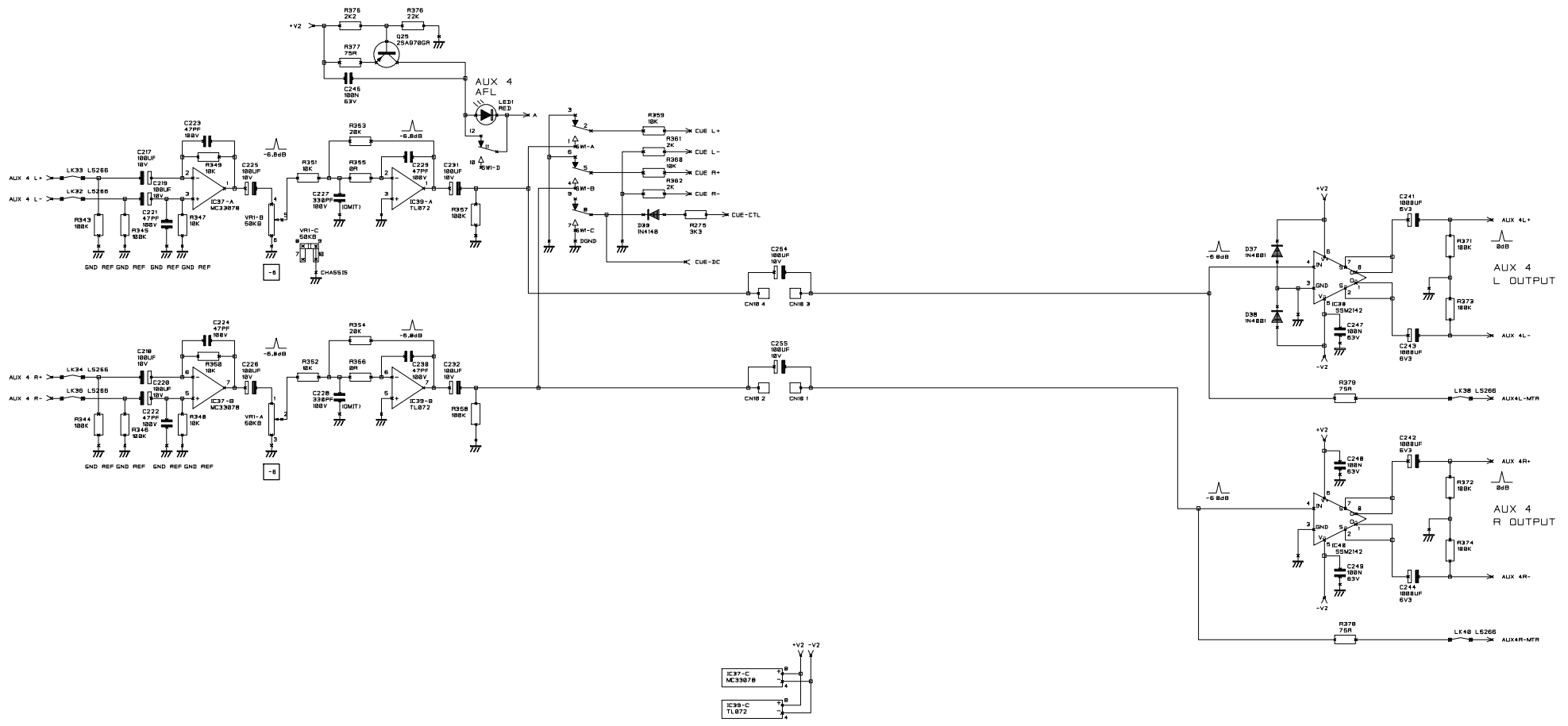
- FOR '80B' OPERATION LIMITER THRESHOLD CHANGES
 R199, R191 10K FIT 43K
 R196, R167 (47K) FIT 22K
 R197 15K FIT 10K

DRN. CJH

TITLE
 SOUNDCRAFT 8800
 STEREO MASTER

DRG NO.
 ED 3515F

INITIAL	ISSUE	DATE
RNJS	5:07	28-4-00



NOTES

COMPONENTS USED,
R343 - R352, R371 - R379
C217 - C232, C241 - C249
D37 - D39
Q25
IC37 - IC48
LED1
SW1
LK38 - LK41
VRI

TRANSFORMERS FOR AUX OUTPUTS ARE OPTIONALLY FITTED ON MOTHERBOARD

R353, R354 ARE 20K
C229, C338 ARE 47P
R355, R356 ARE 0R
C227, C328 ARE OMITTED

DRN. CJH

TITLE
SOUNDCRAFT 8800
STEREO MASTER

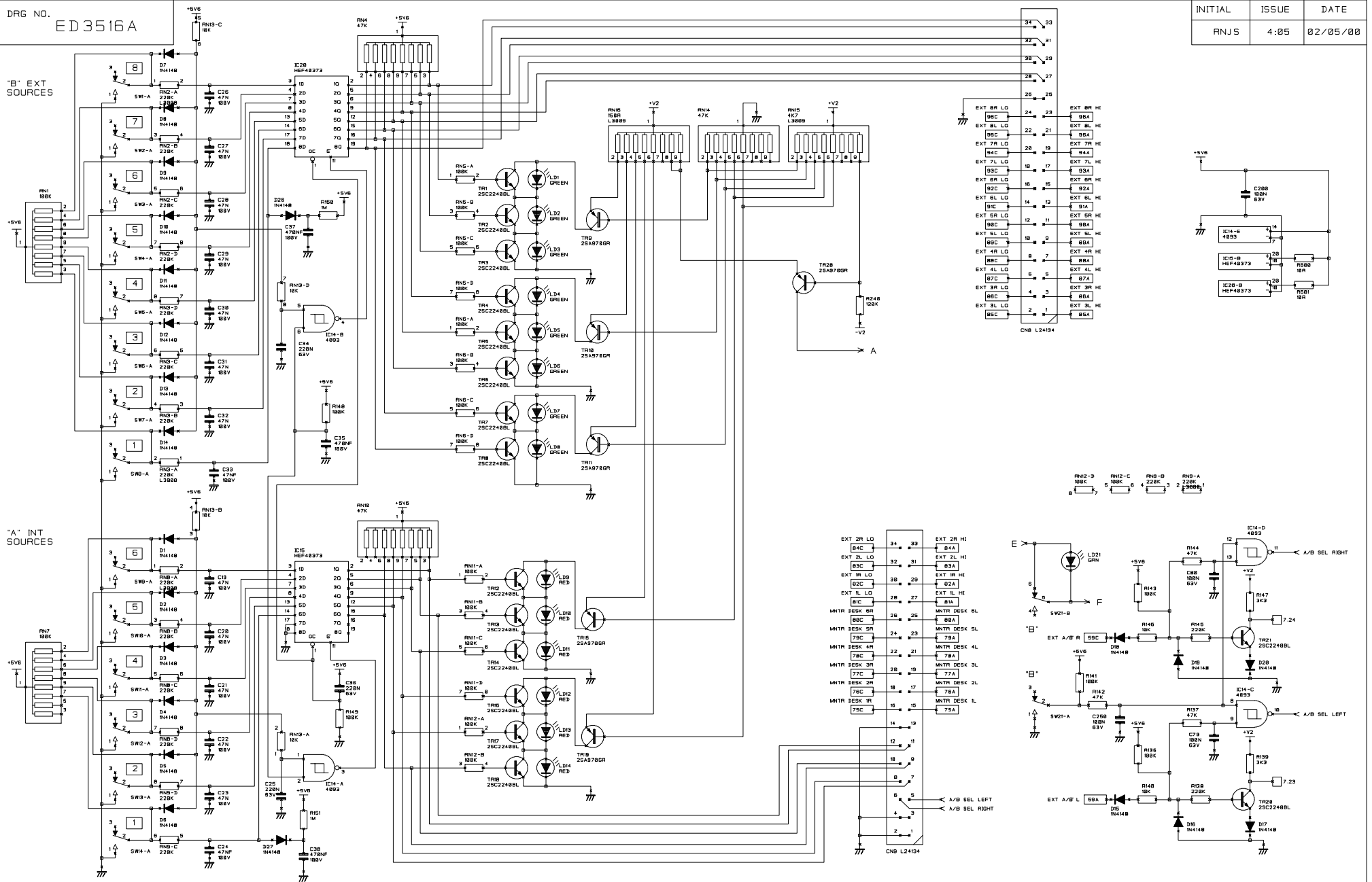
DRG NO.
ED 3515H

DRG NO. ED 3516A

INITIAL	ISSUE	DATE
RNJS	4:05	02/05/00

'B' EXT SOURCES

'A' INT SOURCES



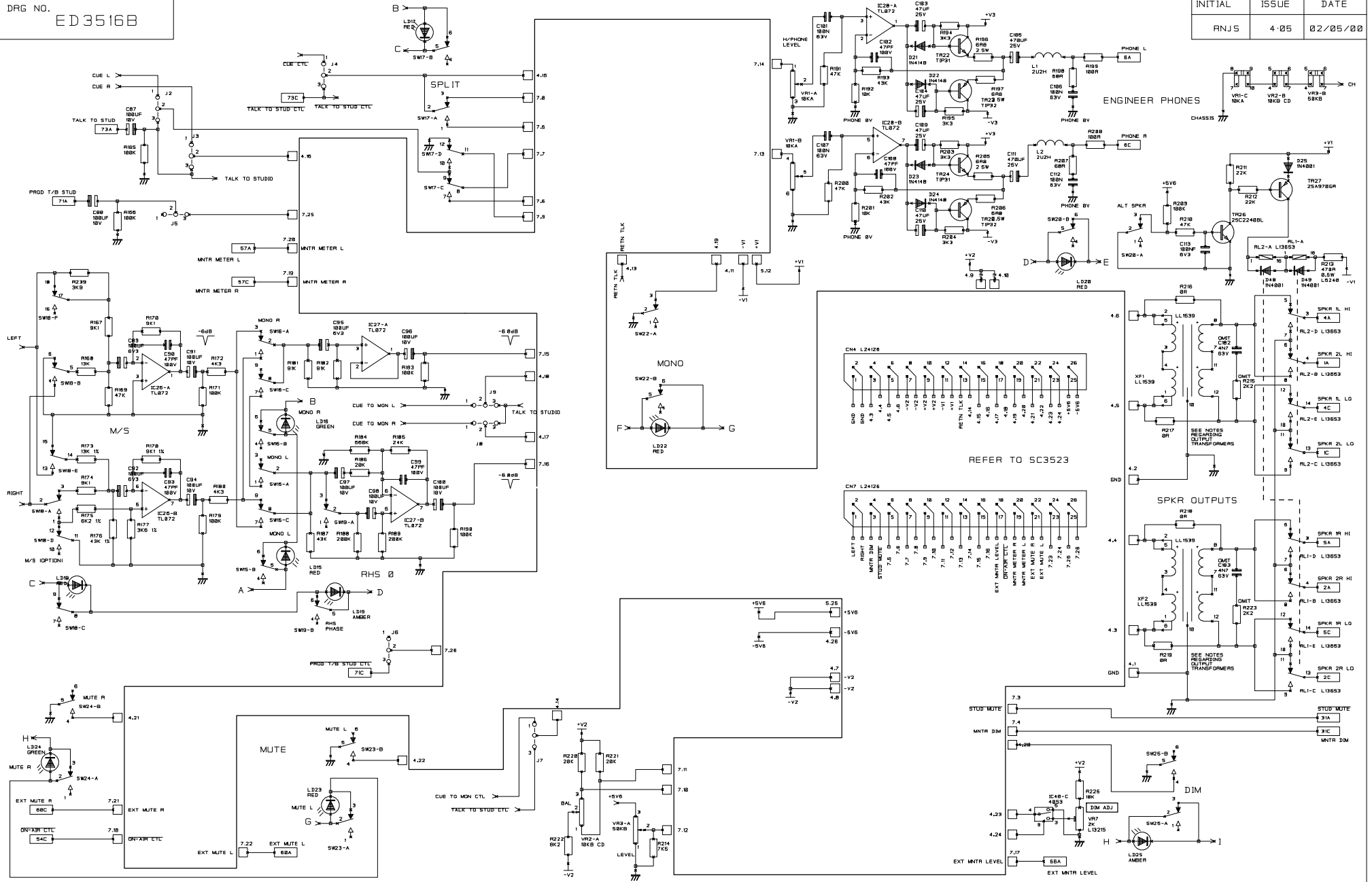
NOTES

DRN. CB/VCR

TITLE
B800 MONITOR
MODULE MAIN PCB

DRG NO. ED 3516A

INITIAL	ISSUE	DATE
RNJS	4:05	02/05/00



NOTES

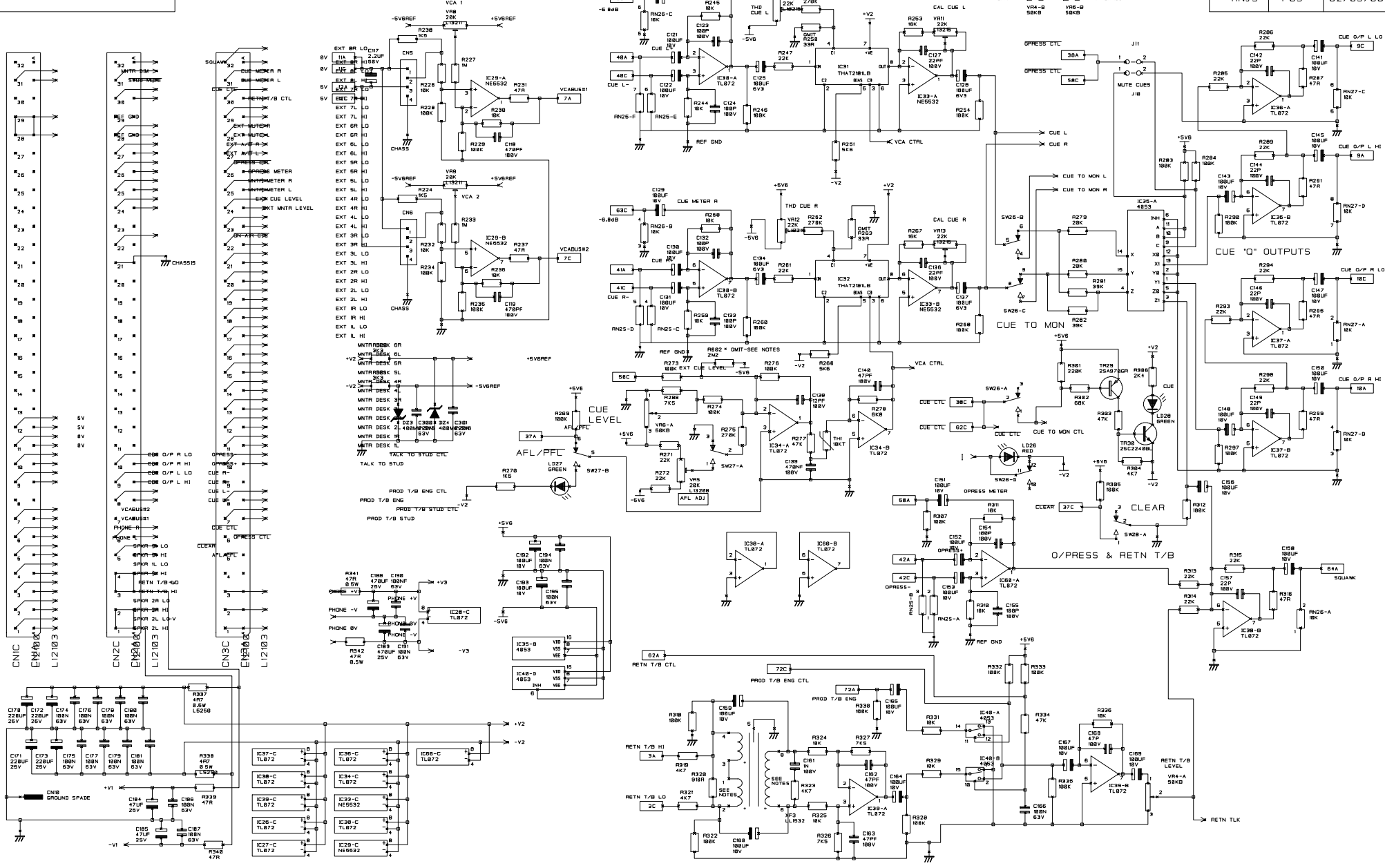
WITH OUTPUT TRANSFORMERS	WITHOUT OUTPUT TRANSFORMERS
FIT XF1.2	OMIT XF1.2
FIT C182.183 = 4N7	OMIT C182.183 = 4N7
FIT R215.223 = 2K2	OMIT R215.223 = 2K2
OMIT R216-219	FIT R216-219

DRN. CB/VCR

TITLE
B800 MONITOR
MODULE MAIN PCB

DRG NO. ED 3516B

INITIAL	ISSUE	DATE
RNJS	4-05	02/05/00



NOTES
 RETN T/B INPUT
 XF3 NORMALLY OMITTED
 FOR X/F VERSION
 FIT XF3, R320-910R, R323-4K7
 OMIT C159 C160
 CHANGE R324 R325 (10K) TO 7K5
 CHANGE R326 R327 (1K5) TO 47K

J10 & J11
 LINK 1-2
 1-2 DEFAULT
 SWES CUE ON SQUAWK
 SPEAKER (NO O O/P)
 IS DISABLED
 TO SQUAWK BY
 EITHER O/PRESS PFL
 OR CUE TO MON SW

FITTED 1-1
 1-2
 CUE FEEDS O O/Ps
 (AND NOT SQUAWK)
 ALSO DISABLED BY
 EITHER O/PRESS PFL
 OR CUE TO MON SW
 FIT R602 2M2 FOR CUE +6dB MAX

DRN. CB/VCR

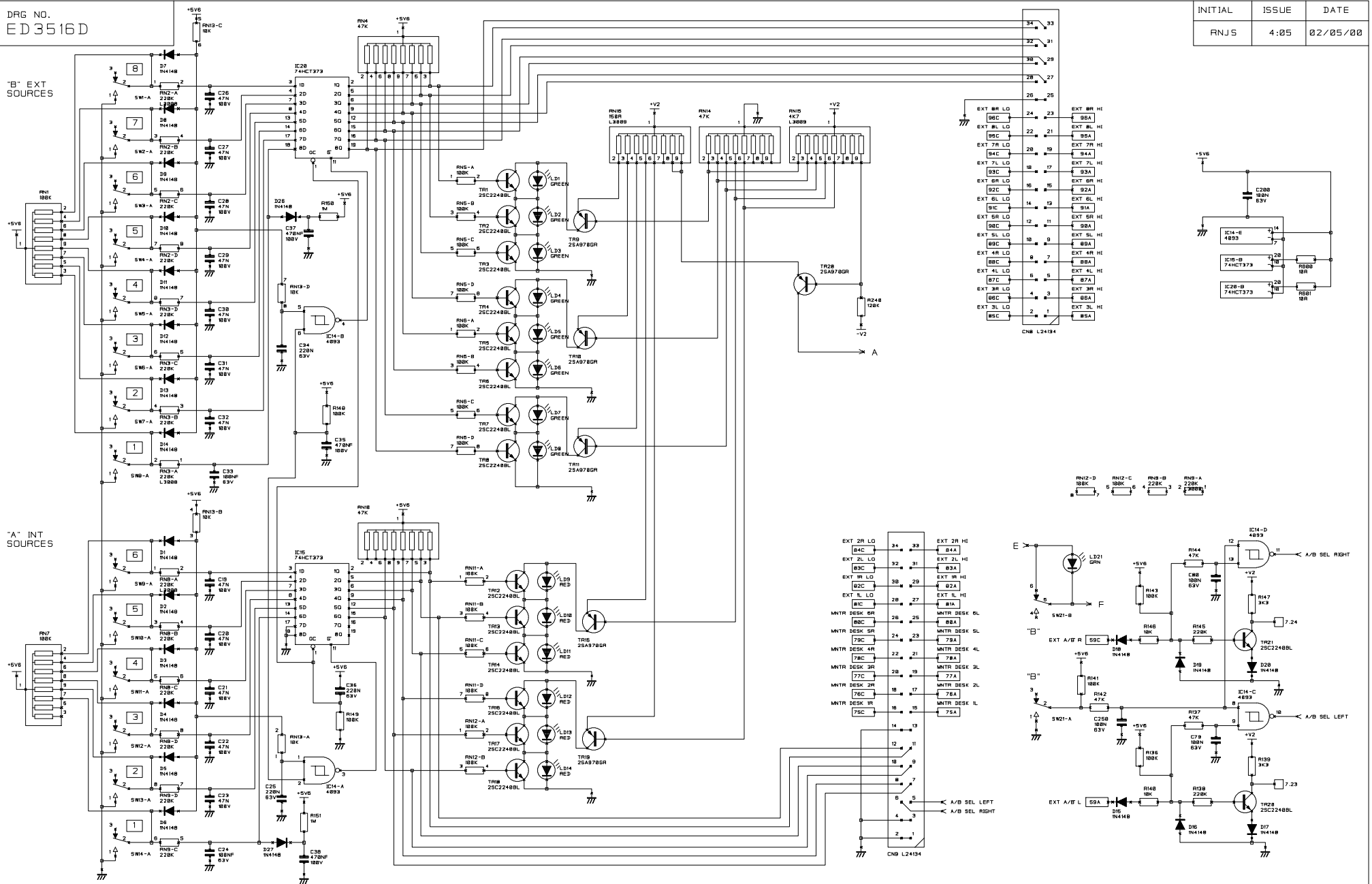
TITLE
 B800 MONITOR
 MODULE MAIN PCB
 DRG NO. ED 3516C

DRG NO.
ED 3516D

INITIAL	ISSUE	DATE
RNJS	4:05	02/05/00

'B' EXT SOURCES

'A' INT SOURCES



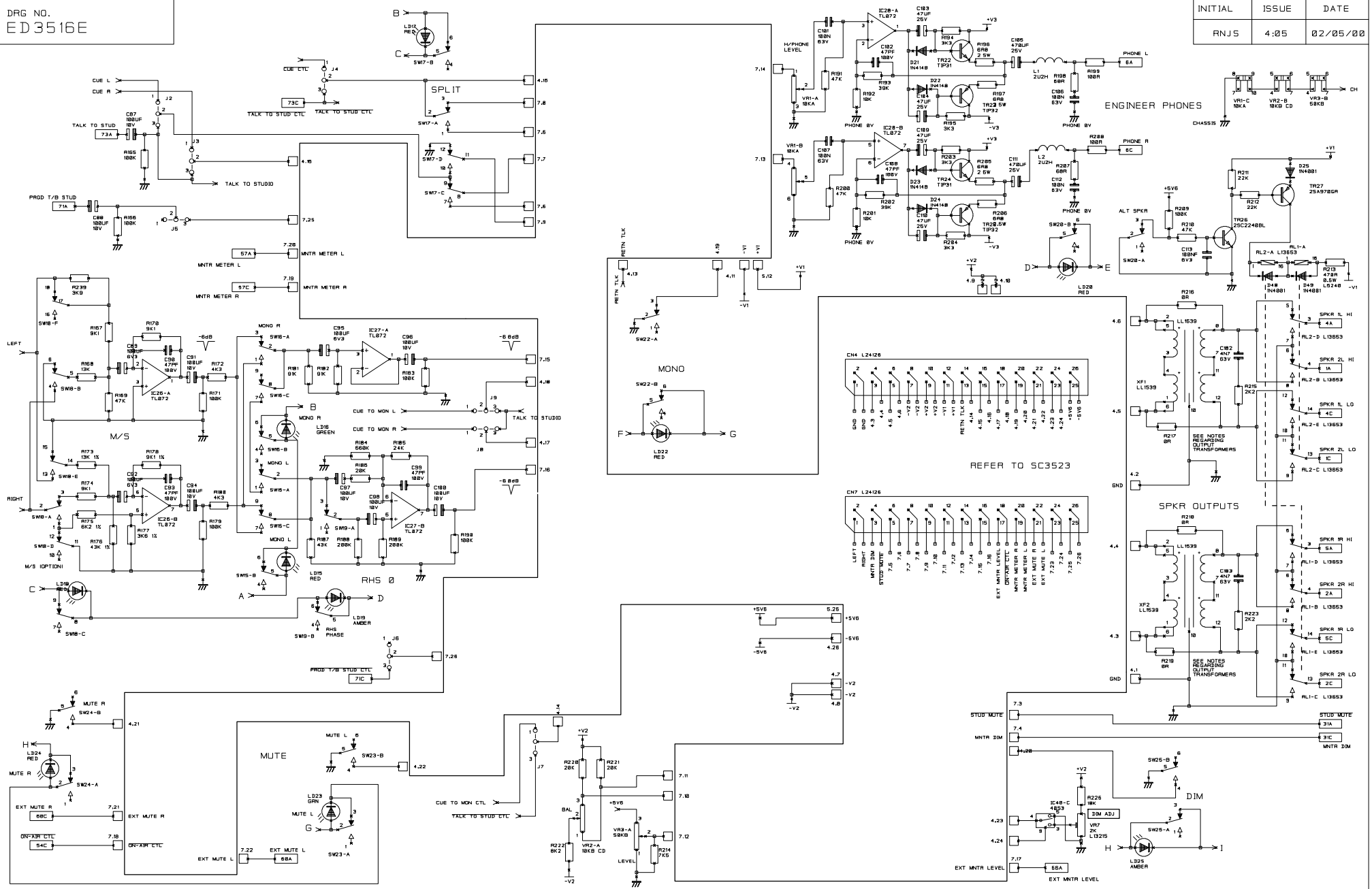
NOTES

DRN. CB/VCR

TITLE
B400 MONITOR
MODULE MAIN PCB

DRG NO.
ED 3516D

INITIAL	ISSUE	DATE
RNJS	4:05	02/05/00



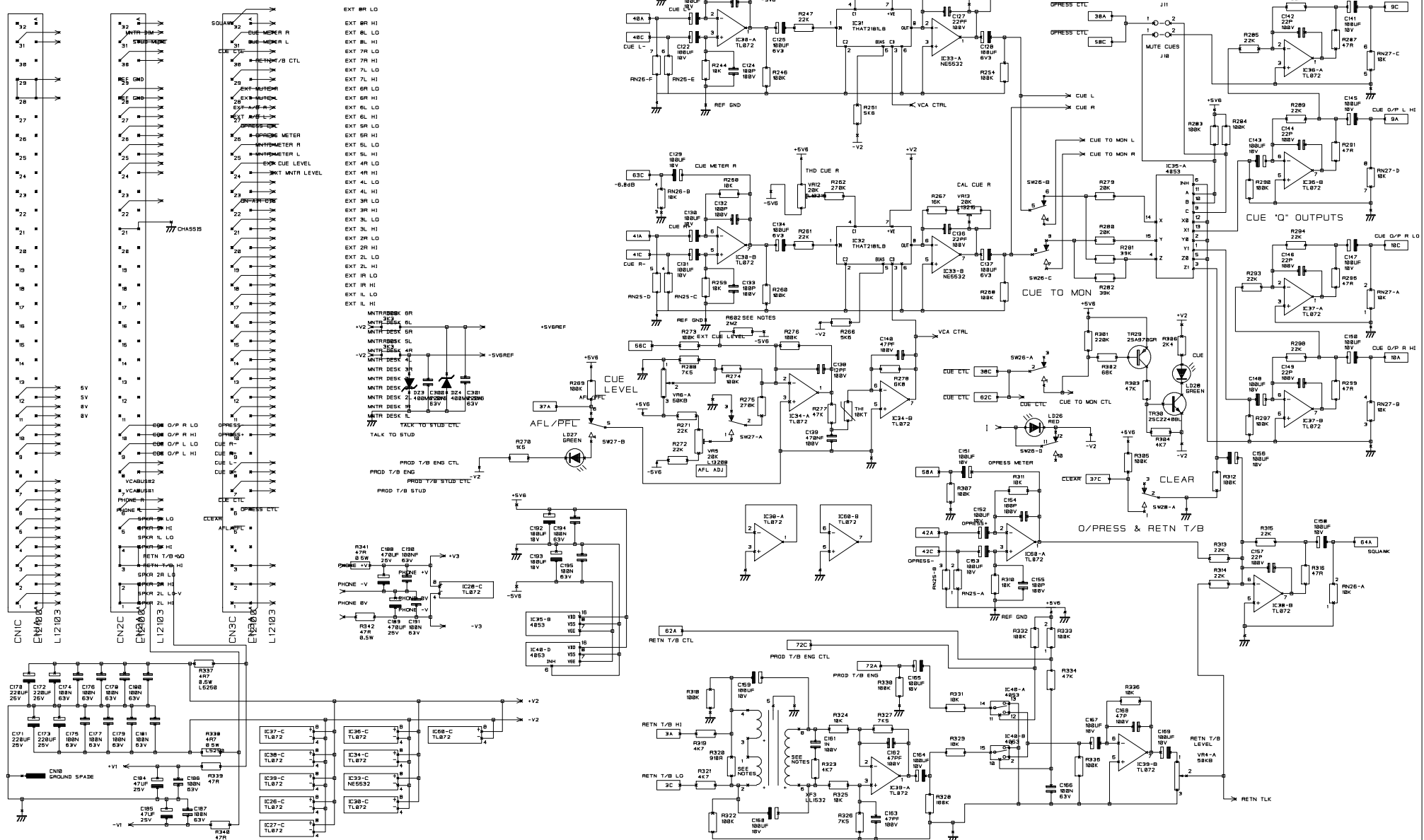
NOTES
 WITH OUTPUT TRANSFORMERS
 FIT XF1.2
 FIT C182.183 = 4N7
 FIT R215.223 = 2K2
 OMIT R216-219

WITHOUT OUTPUT TRANSFORMERS
 OMIT XF1.2
 OMIT C182.183 = 4N7
 OMIT R215.223 = 2K2
 FIT R216-219

DRN. CB/VCR

TITLE
 B400 MONITOR
 MODULE MAIN PCB

INITIAL	ISSUE	DATE
RNJS	4:05	02/05/00



NOTES
 RETN T/B INPUT
 XF3 NORMALLY OMITTED
 FOR X/F VERSION
 FIT XF3 R322-318R. R323-4K7
 OMIT C169 C160
 CHANGE R324 R325 (10K) TO 7K5
 CHANGE R326 R327 (17K5) TO 47K

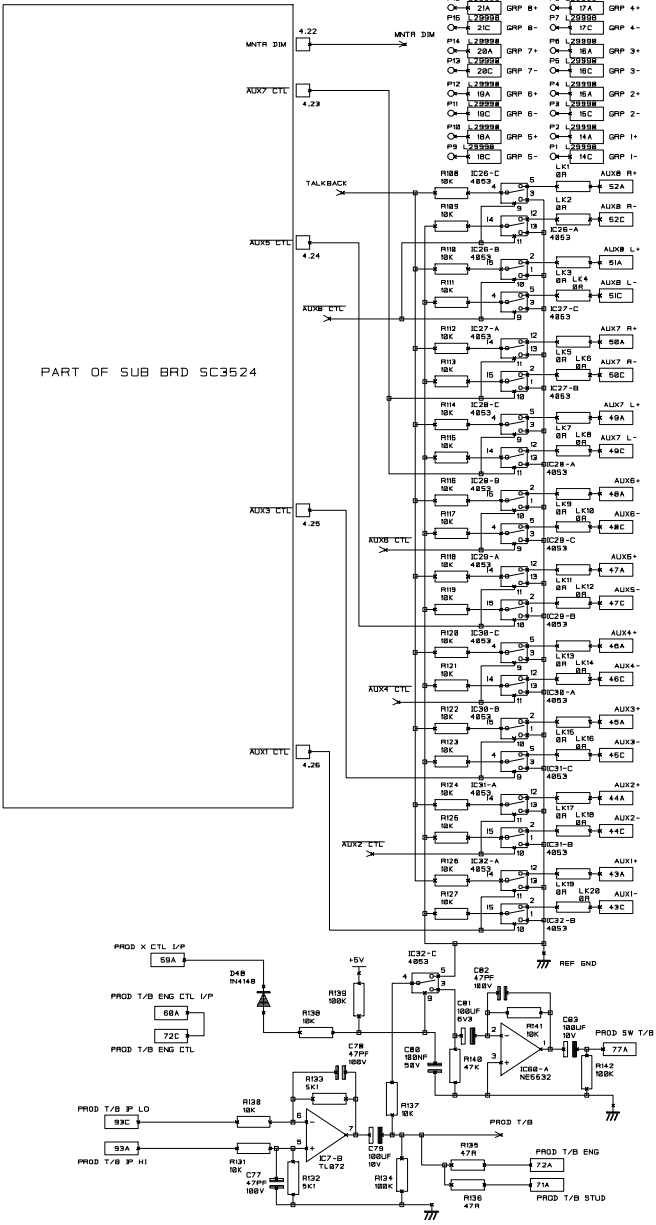
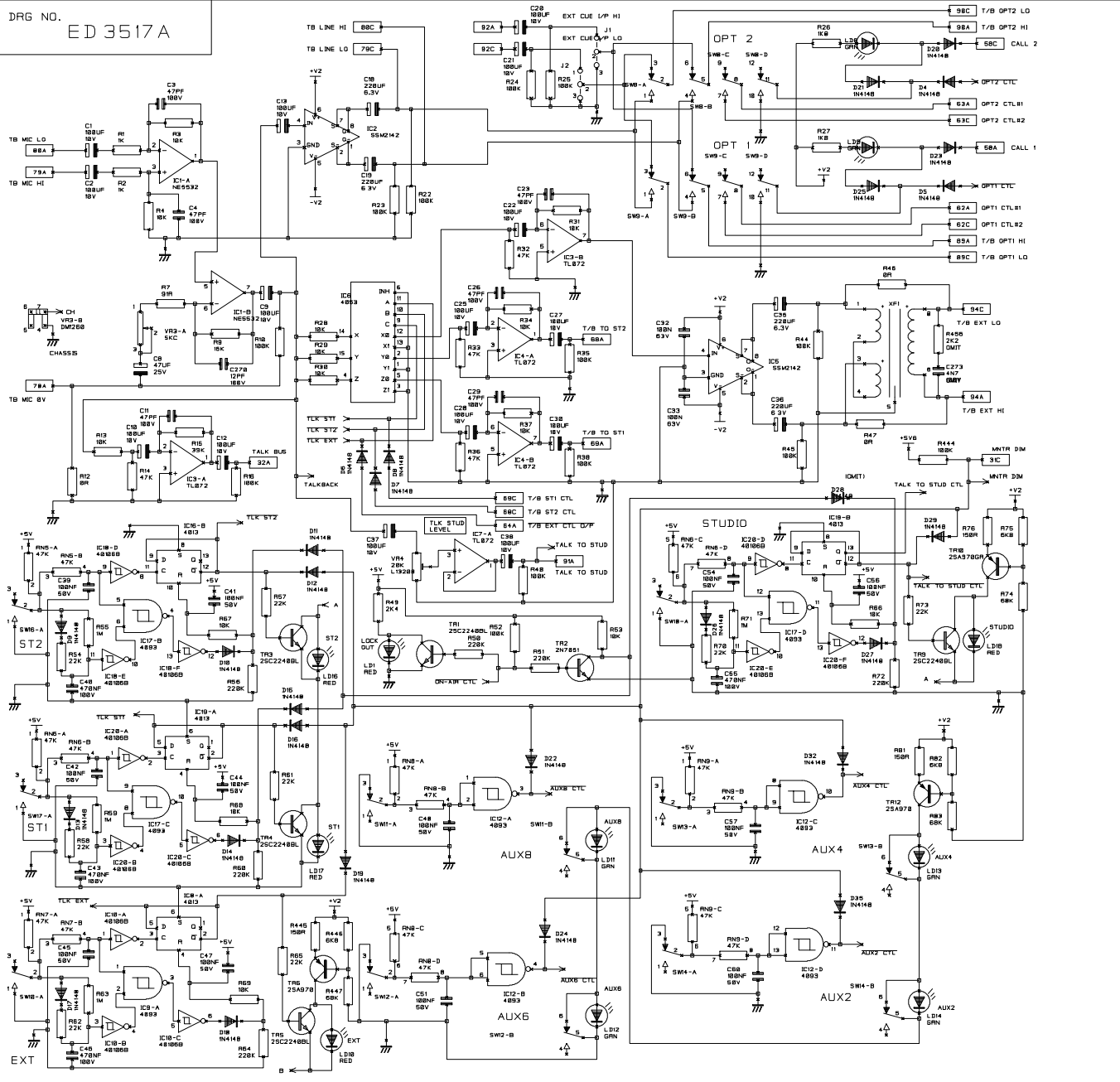
J10 & J11
 LINK 1-2
 1-2 DEFAULT
 SWES CUE ON SQUAWK
 SPEAKER (NO O/P)
 CUE IS DISABLED
 TO SQUAWK BY
 EITHER O/PRESS PFL
 OR CUE TO MON SW

FITTED 1-1
 2-2
 CUE FEEDS O O/Ps
 (AND NOT SQUAWK)
 ALSO DISABLED BY
 EITHER O/PRESS PFL
 OR CUE TO MON SW
 FIT R602 2M2 FOR CUE +6dB MAX

DRN. CB/VCR

TITLE
 B400 MONITOR
 MODULE MAIN PCB
 DRG NO
 ED 3516F

INITIAL	ISSUE	DATE
TW	4:06	14-10-98



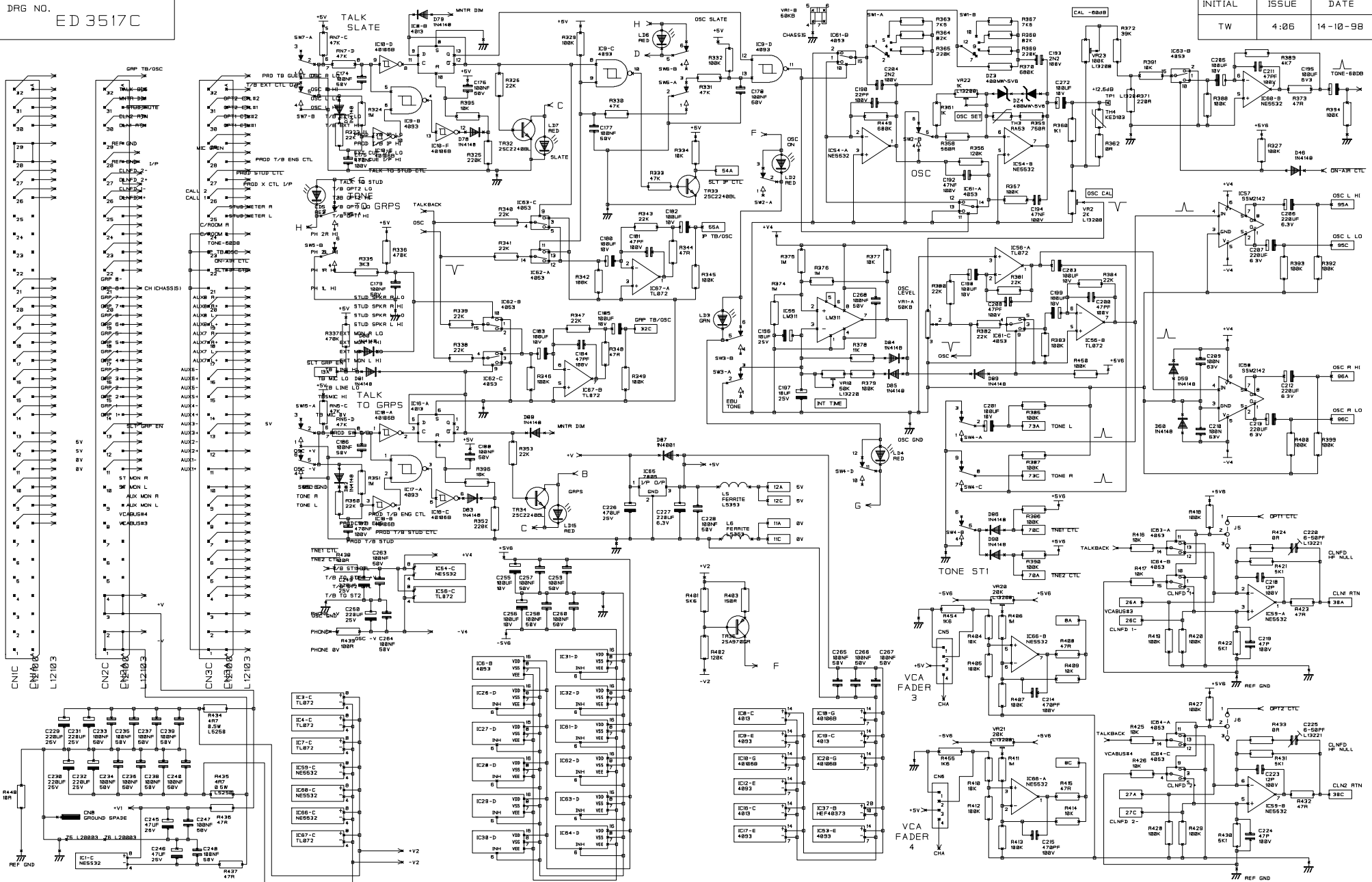
NOTES

DRN. CJH

TITLE B800
COMMS MODULE

DRG NO. ED 3517A

INITIAL	ISSUE	DATE
TW	4:06	14-10-98



NOTES

DRN.

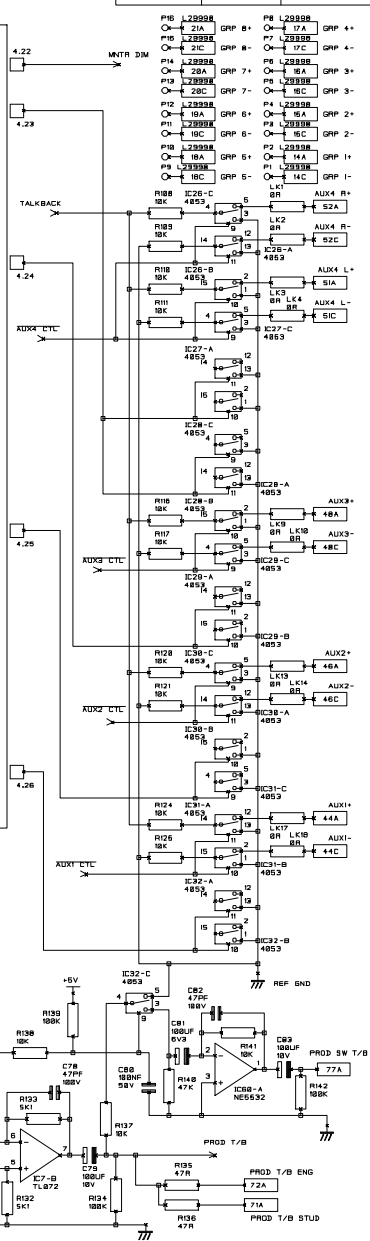
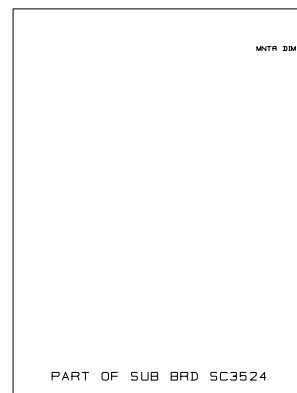
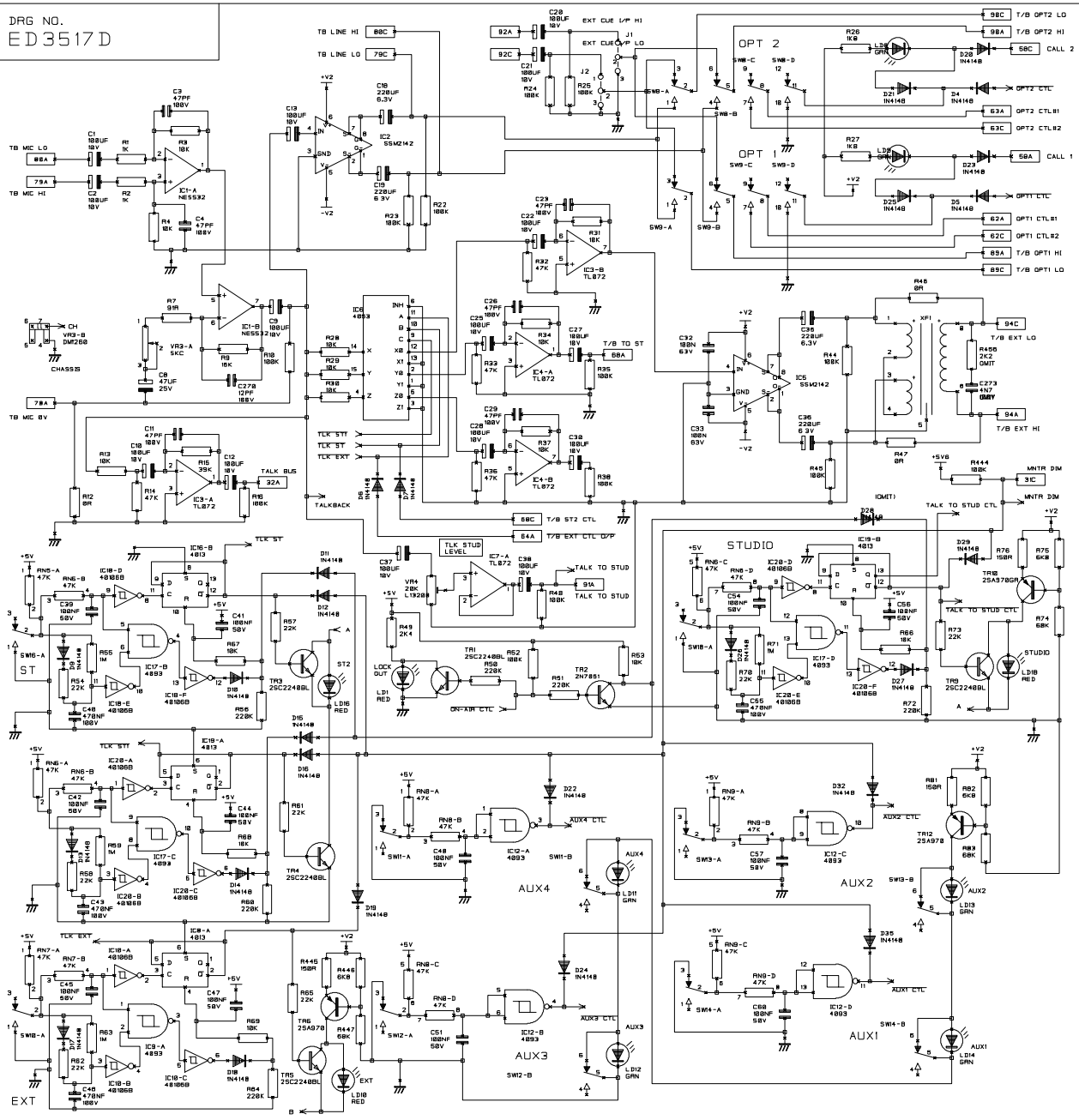
CJH

TITLE
B800
COMMS MODULE

DRG NO.
ED 3517C

DRG NO.
ED 3517 D

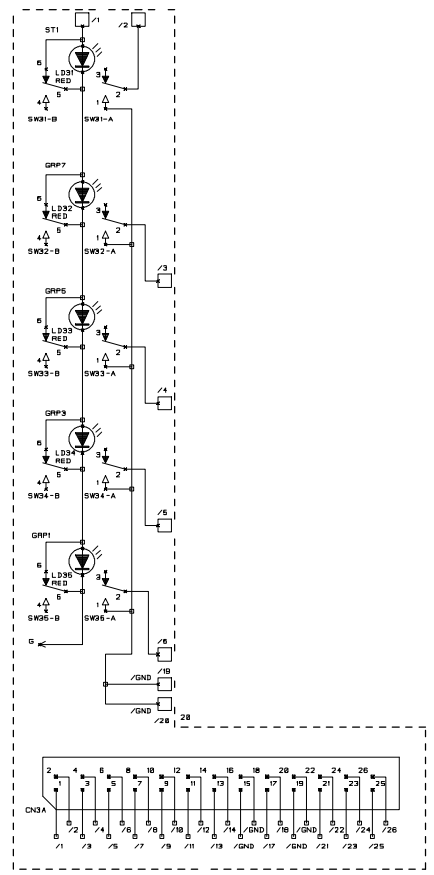
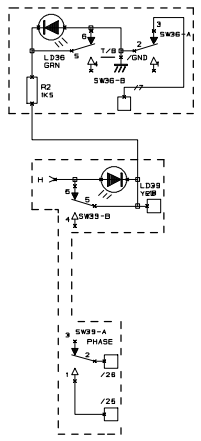
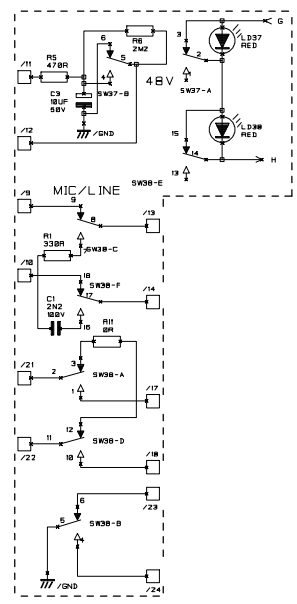
INITIAL	ISSUE	DATE
TW	4:06	14-10-98



NOTES

DRN. CJH

TITLE
B800
COMMS MODULE
DRG NO
ED 3517 D

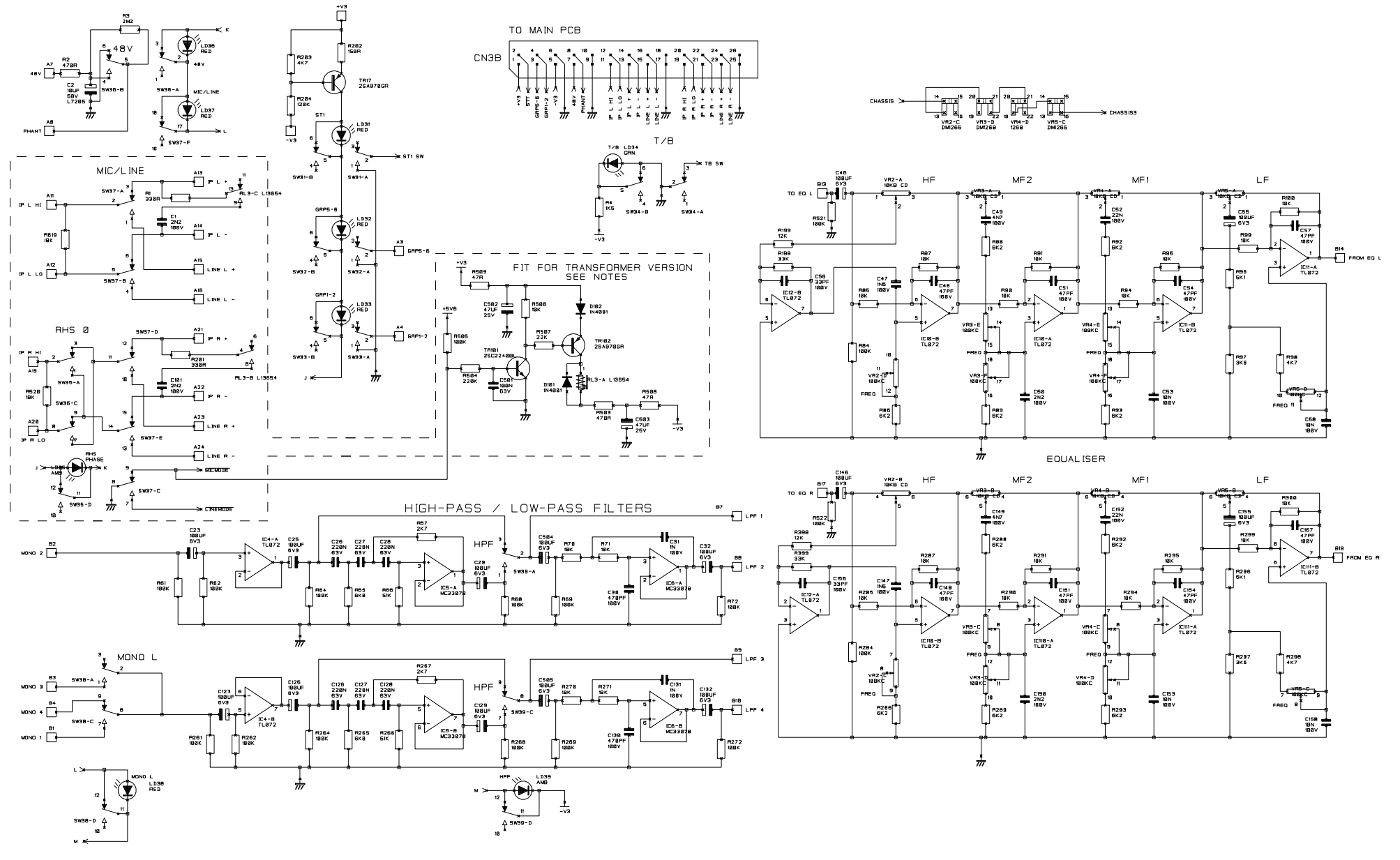


NOTES

DRN. CB/VCR

TITLE B800
MONO INPUT MODULE
(SUB BOARD)

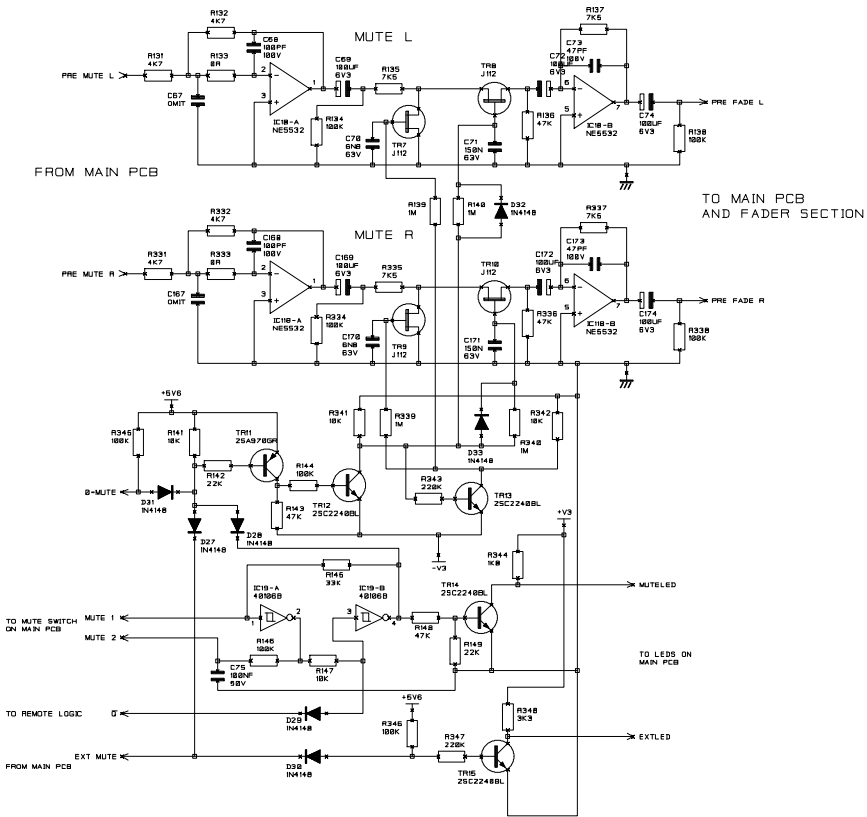
DRG NO. ED 3518



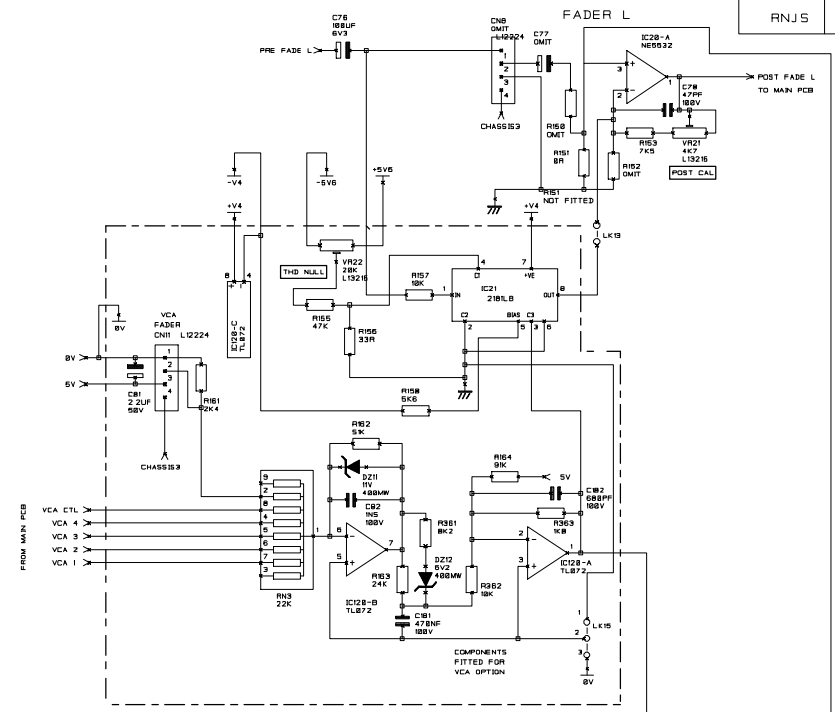
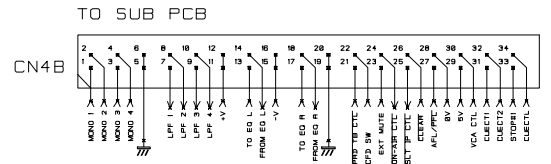
NOTES
 FIT ONLY IF TRANSFORMERS FITTED
 R1,R201,R503-R509,R519,R520
 C1,C101,C501-C503
 RL3
 TR101,TR102
 D101,D102

DRN. CB/PH

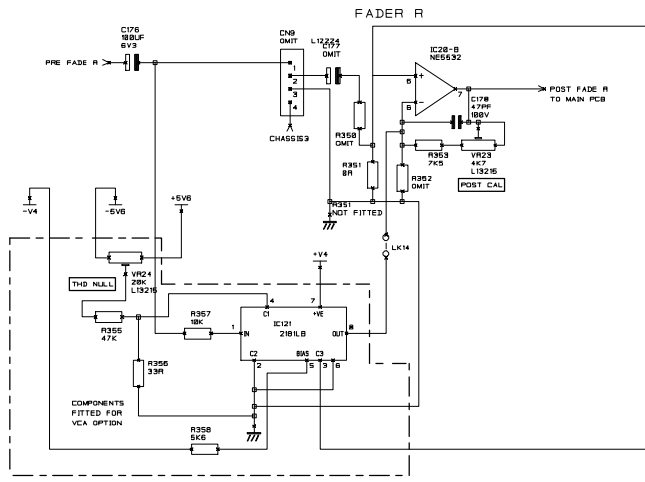
TITLE B800
 STEREO INPUT MODULE
 SUB PCB
 DRG NO. ED 3519A



CHANNEL PRE-FADER MUTING



CHANNEL FADER WITH/WITHOUT VCA



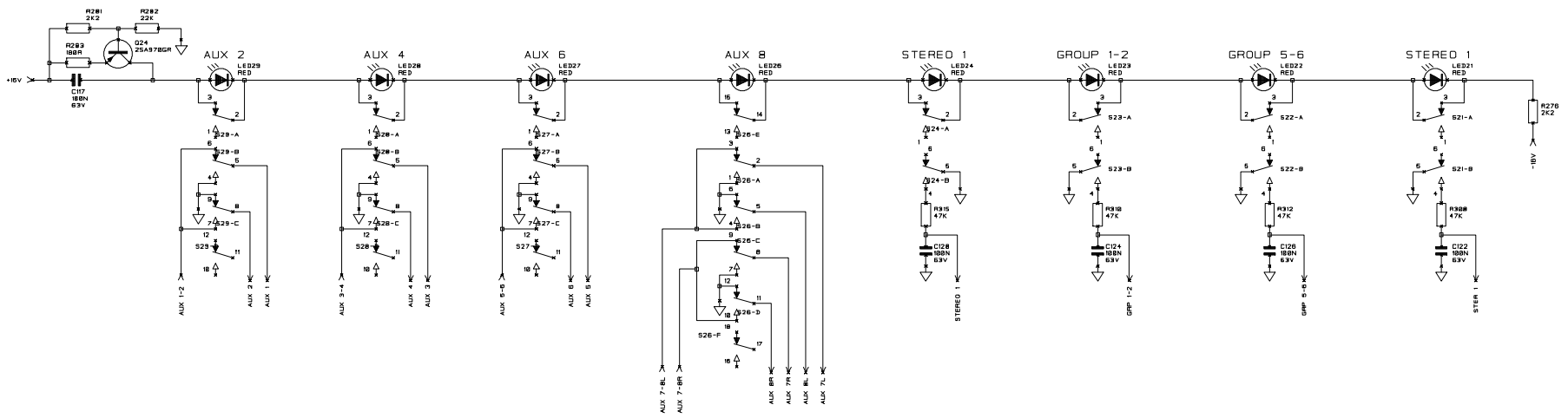
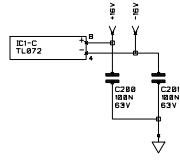
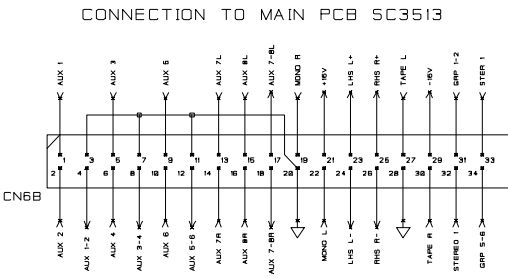
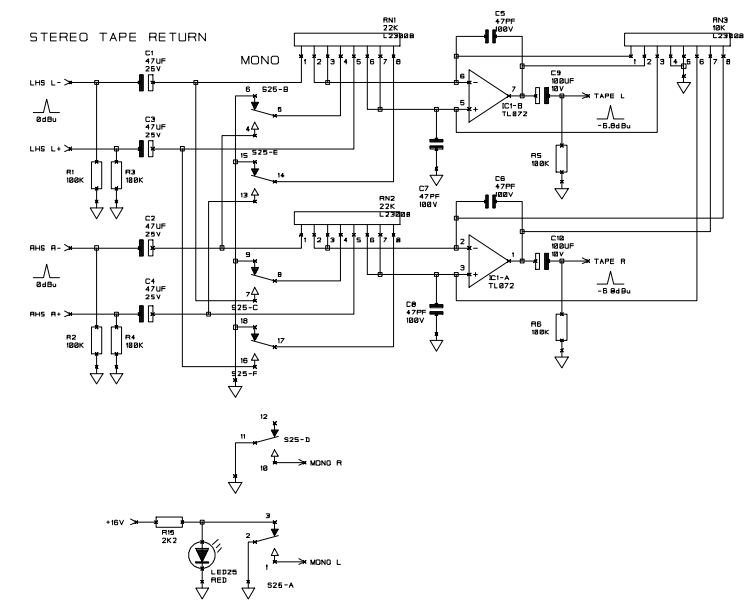
USE CLEAN EARTH ON SUB PCB POST FADE FEEDS
 ADD WIRE LINK FOR REF GND BETWEEN MAIN & SUB PCB
 FIT WIRE LINK BETWEEN PINS 8 & PINS 12 ON SC9518
 FIT WIRE LINK FROM PINS 12 ON SUB PCB TO MAIN PCB -
 - (SC9512 - CN1 PIN28/29)

NOTES

DRN. CB/PH

TITLE B800
 STEREO INPUT MODULE
 SUB PCB

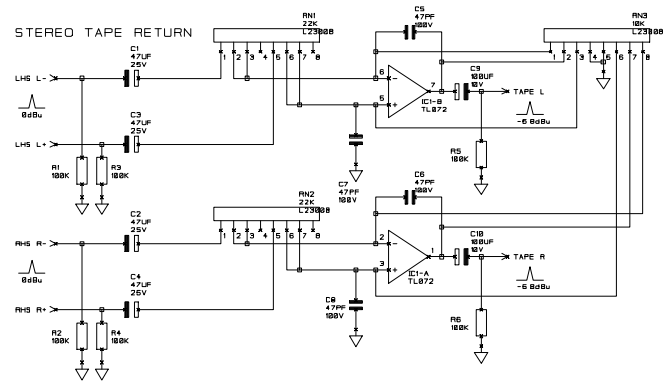
DRG NO. ED 3519B



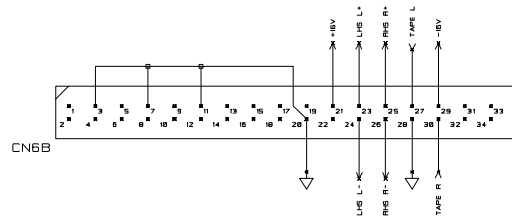
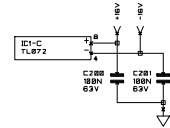
NOTES

DRN. CJH/VCR

TITLE
B800 MONO GROUP
OUTPUT SUB PCB
DRG NO
ED3520A



CONNECTION TO MAIN PCB SC3513

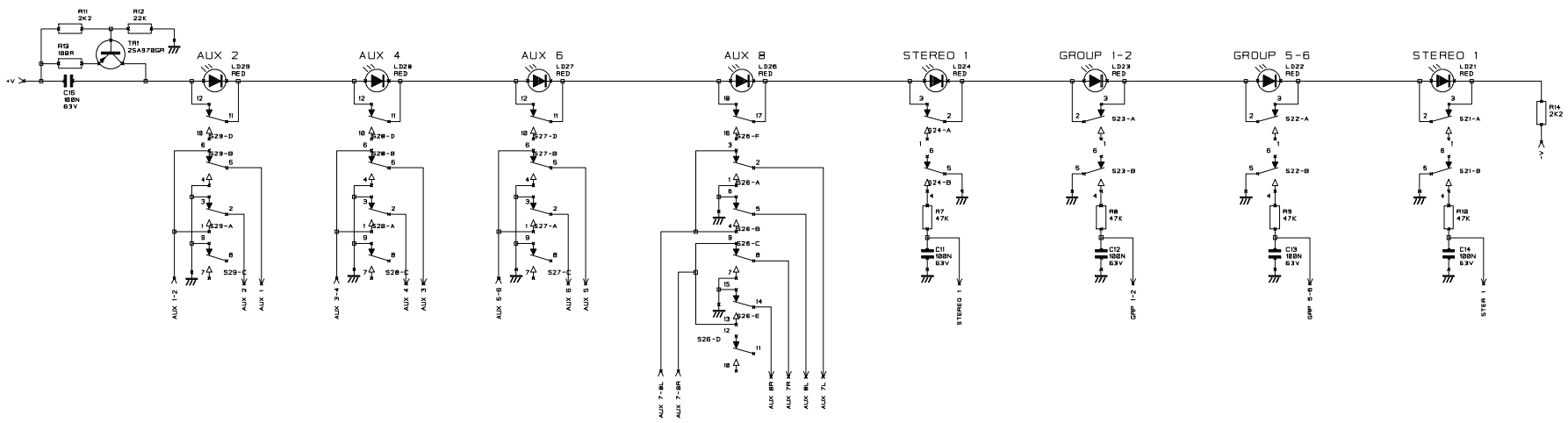
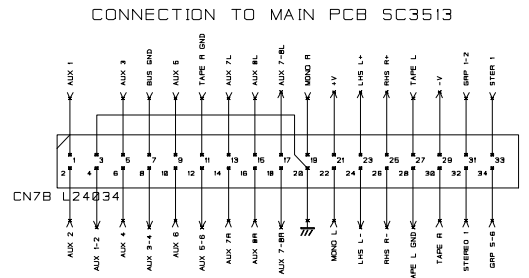
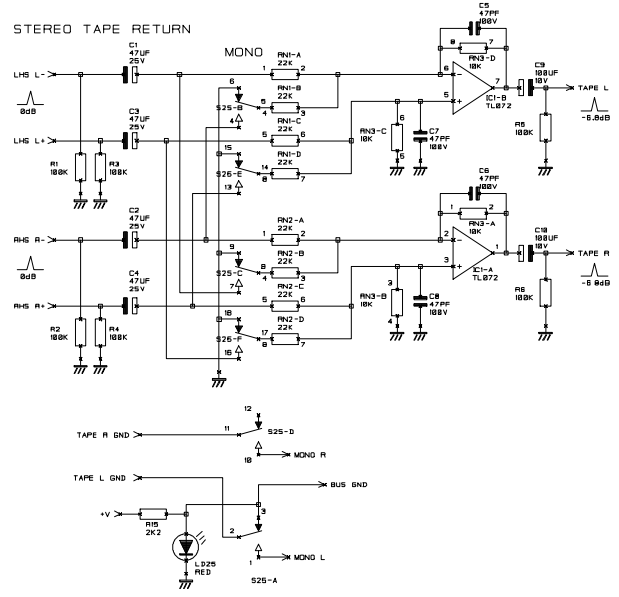


NOTES
LINK SWITCH 27, 28, 29 PINS 7&8
LINK SWITCH 26 PINS 4&5 AND 10&11

DRN.
CJH/VCR

TITLE
B400 MONO GROUP
OUTPUT SUB PCB

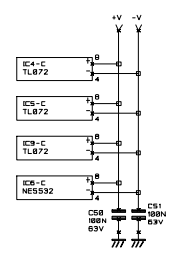
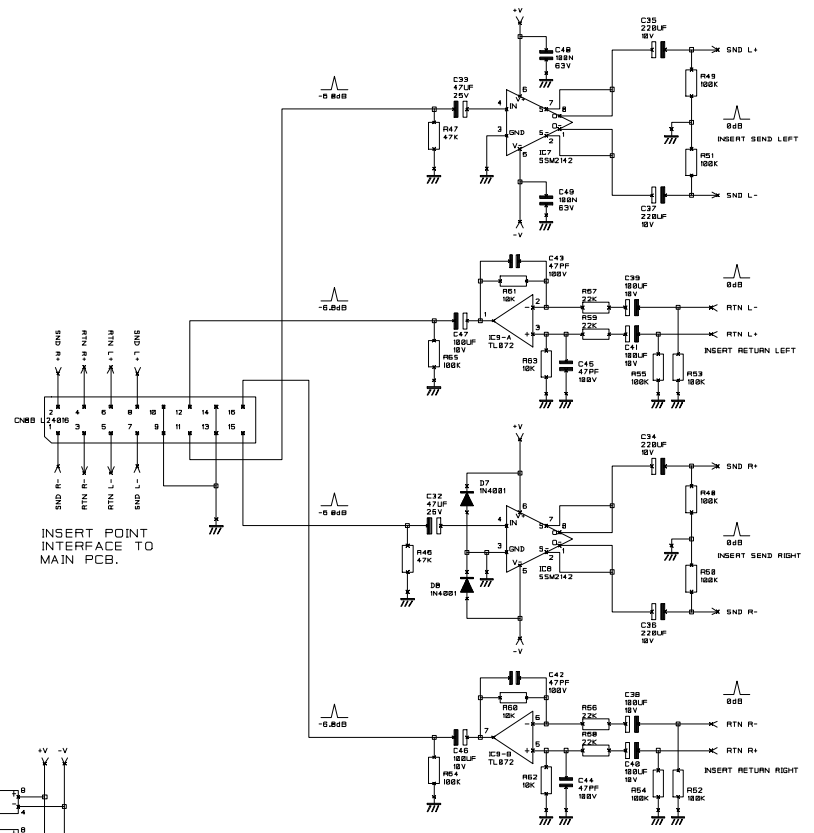
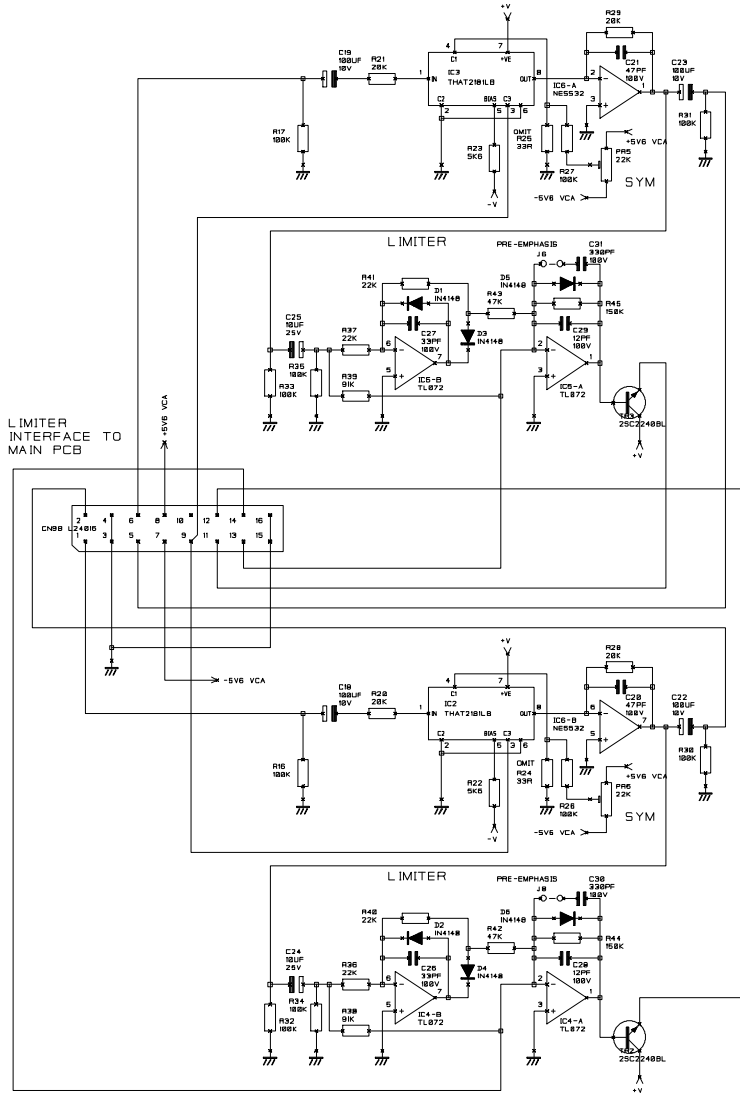
DRG NO.
ED 3520B



NOTES
 COMPONENTS USED
 R1 - R15
 C1 - C7
 RN1 - RN3
 LD21 - LD29
 S21 - S29
 IC1
 TR1
 CN8B

DRN. CJH

TITLE
 B800 STEREO GROUP
 OUTPUT SUB PCB
 DRG NO
 ED3521A



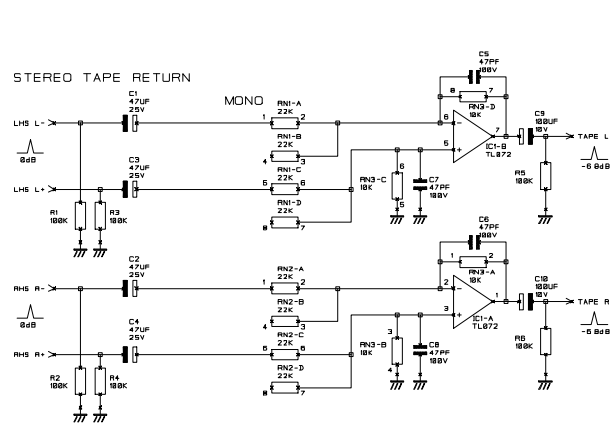
NOTES

COMPONENTS USED	LIMITER THRESHOLD
R16 - R17, R28 - R35	OPERATING LEVELS
C19 - C31	+6dB +4dB 0dB
TR2 - TR3	
IC3 - IC9	R38, R39 31K 68K 43K
D1 - D8	R42, R43 47K 35K 22K
PMS, PMS	
J6, J8	
CN8A, CN8B	

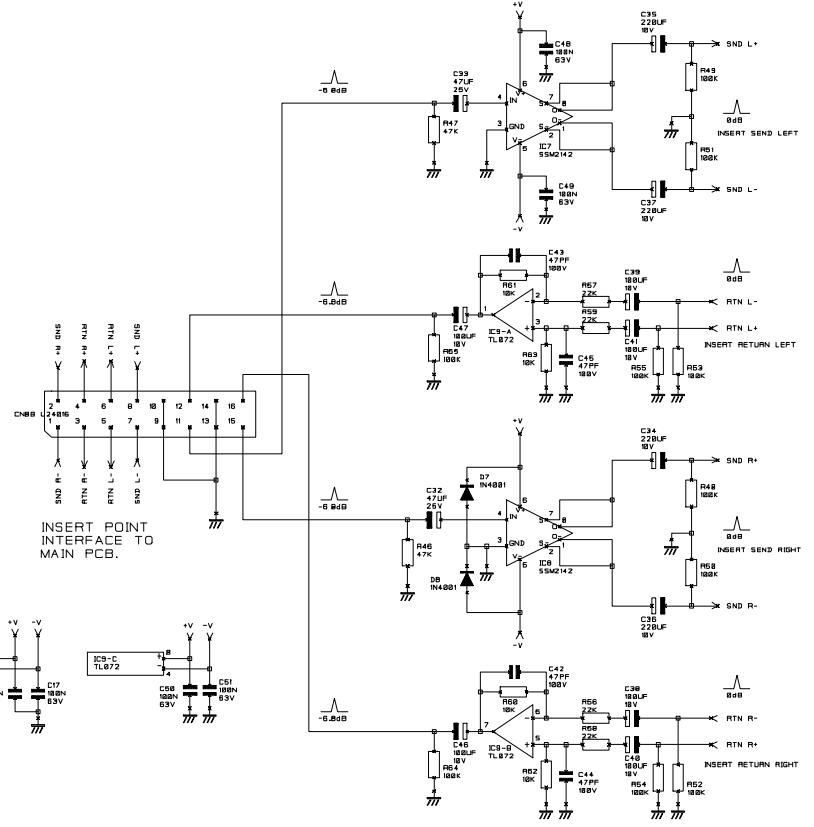
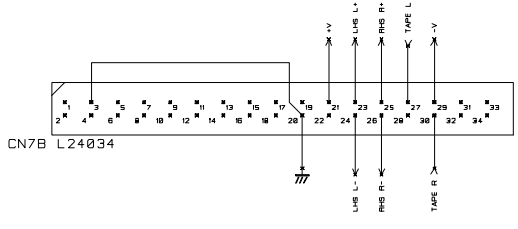
DRN. CJH

TITLE
B800 STEREO GROUP
OUTPUT SUB PCB

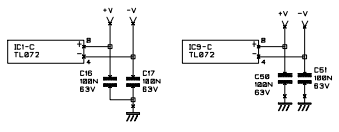
DRG NO
ED3521B



CONNECTION TO MAIN PCB SC3513



INSERT POINT INTERFACE TO MAIN PCB.



NOTES

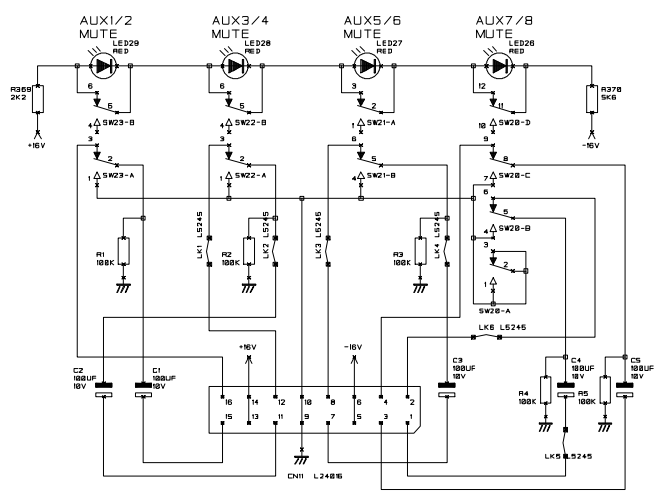
COMPONENTS USED
R1 - R6, R46 - R66
C1 - C9, C36, C37, C32 - C51
RN1 - RN3
IC1, IC2 - IC9
CN8B, CN8D

LINK SWITCH 27, 28, 29 PINS 1&2
LINK SWITCH 26 PINS 4&5 AND 13&14

DRN. CJH

TITLE
B400 STEREO GROUP
OUTPUT SUB PCB

DRG NO.
ED 3521C



NOTES

COMPONENTS USED: R369, R376
 LED29 - LED29
 LED28 - LED28
 SW28 - SW23
 CN1
 LK1 - LK6
 R1 - R5
 C1 - C5

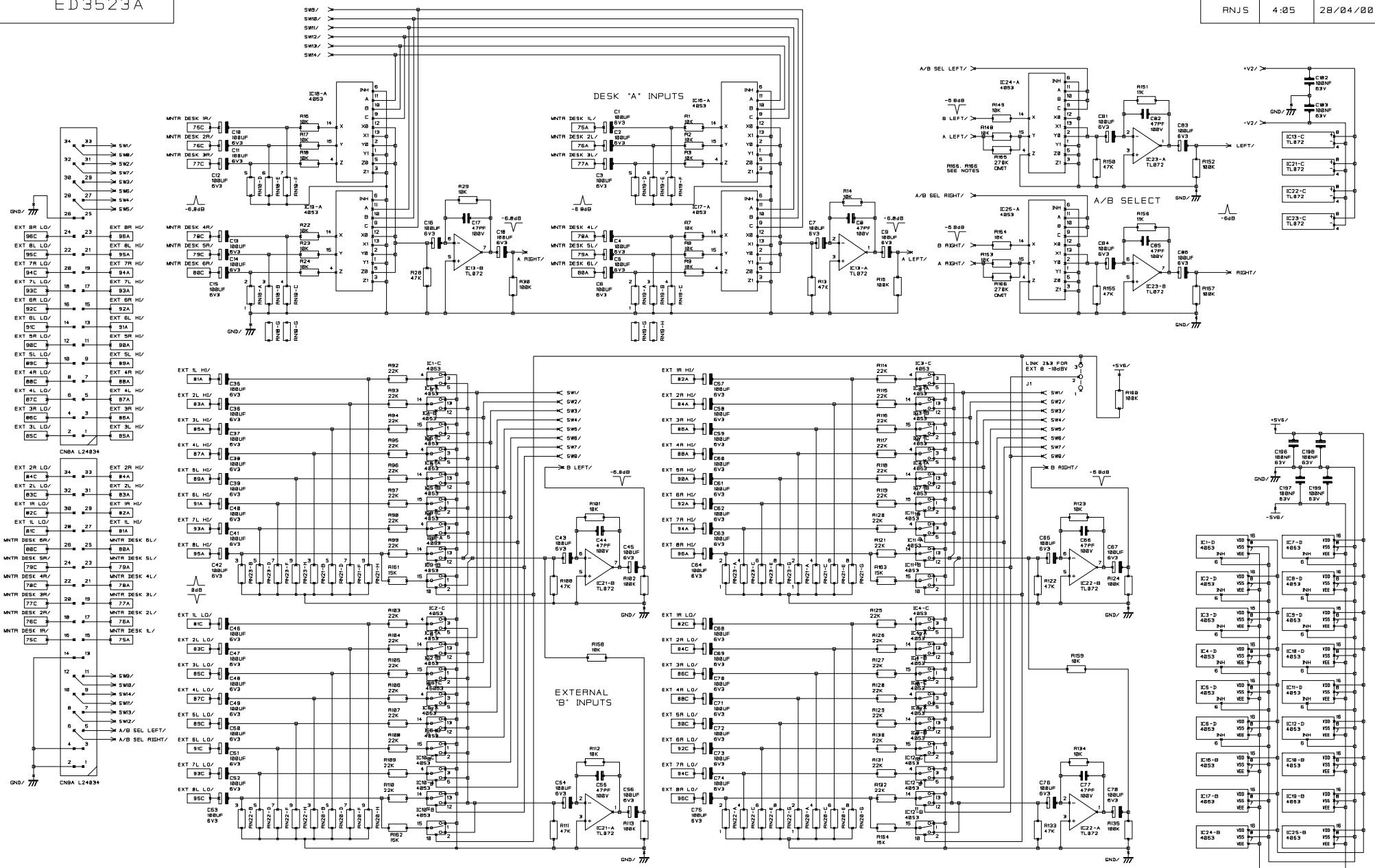
THIS SUB BOARD IS USED WITH 8888 STEREO MASTER PCB SC3516 ISSUE 4

DRN. CJH

TITLE
 SOUNDCRAFT B800
 STEREO MASTER
 SUB BOARD

DRG NO ED3522

INITIAL	ISSUE	DATE
RNJS	4:05	28/04/00

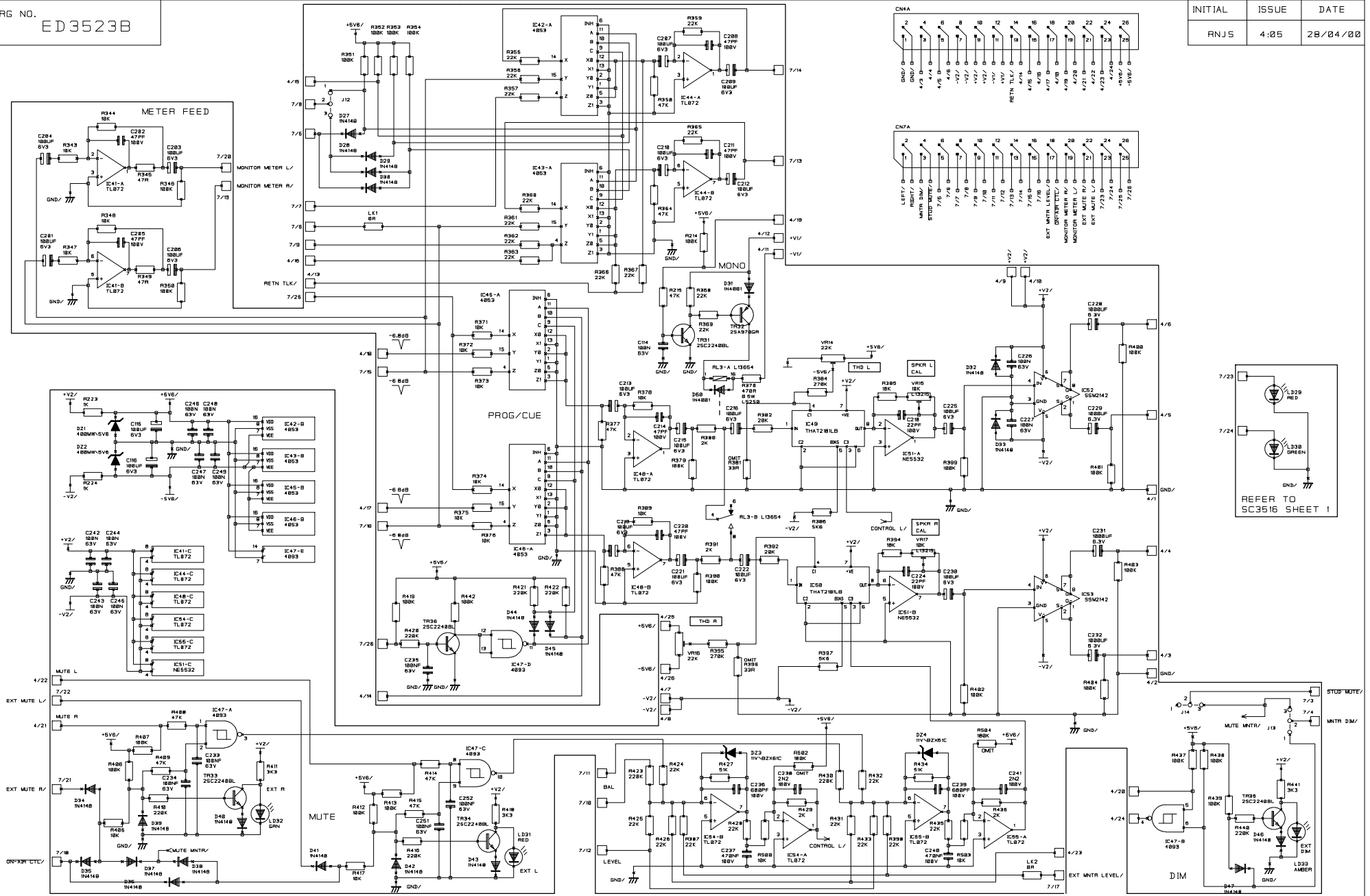


NOTES
R155, R156 ONLY FITTED WHEN STEREO MASTERS AND GROUPS HAVE OUTPUT TRANSFORMERS FITTED

DRN. CB/VCR

TITLE
B800 MONITOR
MODULE SUB PCB

INITIAL	ISSUE	DATE
RNJS	4:05	28/04/00

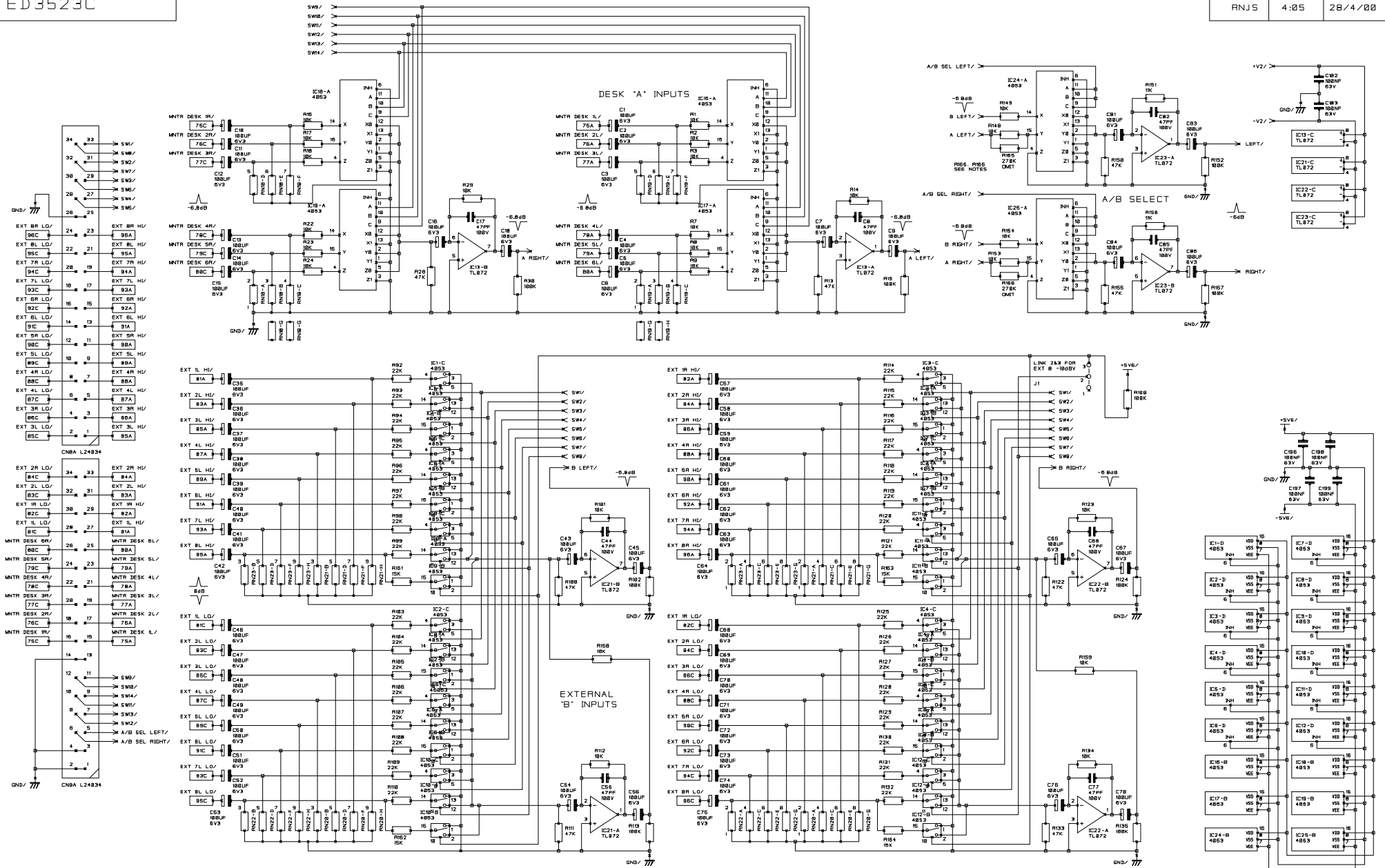


NOTES
 FIT R582,R584 = 180K ONLY WHEN STEREO MASTER HAVE TRANSFORMERS
 REFER TO SC3518 SHEET 2
 OMIT D35 AND D37 EXCEPT FOR USE AS STUDIO MONITOR

DRN. CB/VCR

TITLE
 B800 MONITOR
 MODULE SUB PCB

DRG NO. ED3523B



NOTES

R155, R156 ONLY FITTED WHEN STEREO MASTERS AND GROUPS HAVE OUTPUT TRANSFORMERS FITTED

DRN.

CB/VCR

TITLE

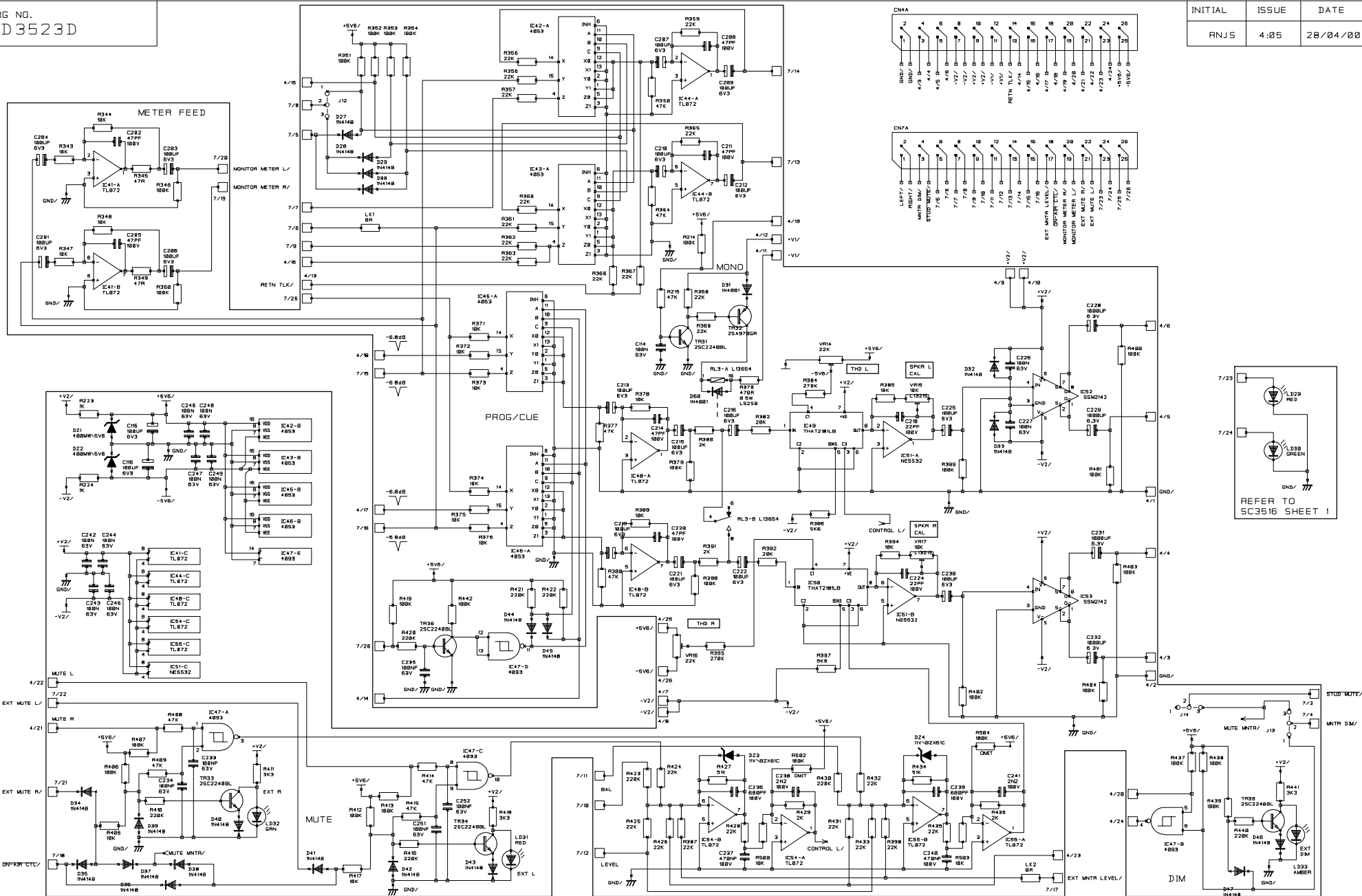
B400 MONITOR
MODULE SUB PCB

DRG NO

ED 3523C

DRG NO.
ED3523D

INITIAL	ISSUE	DATE
RNJS	4:05	28/04/00



REFER TO
SC3516 SHEET 1

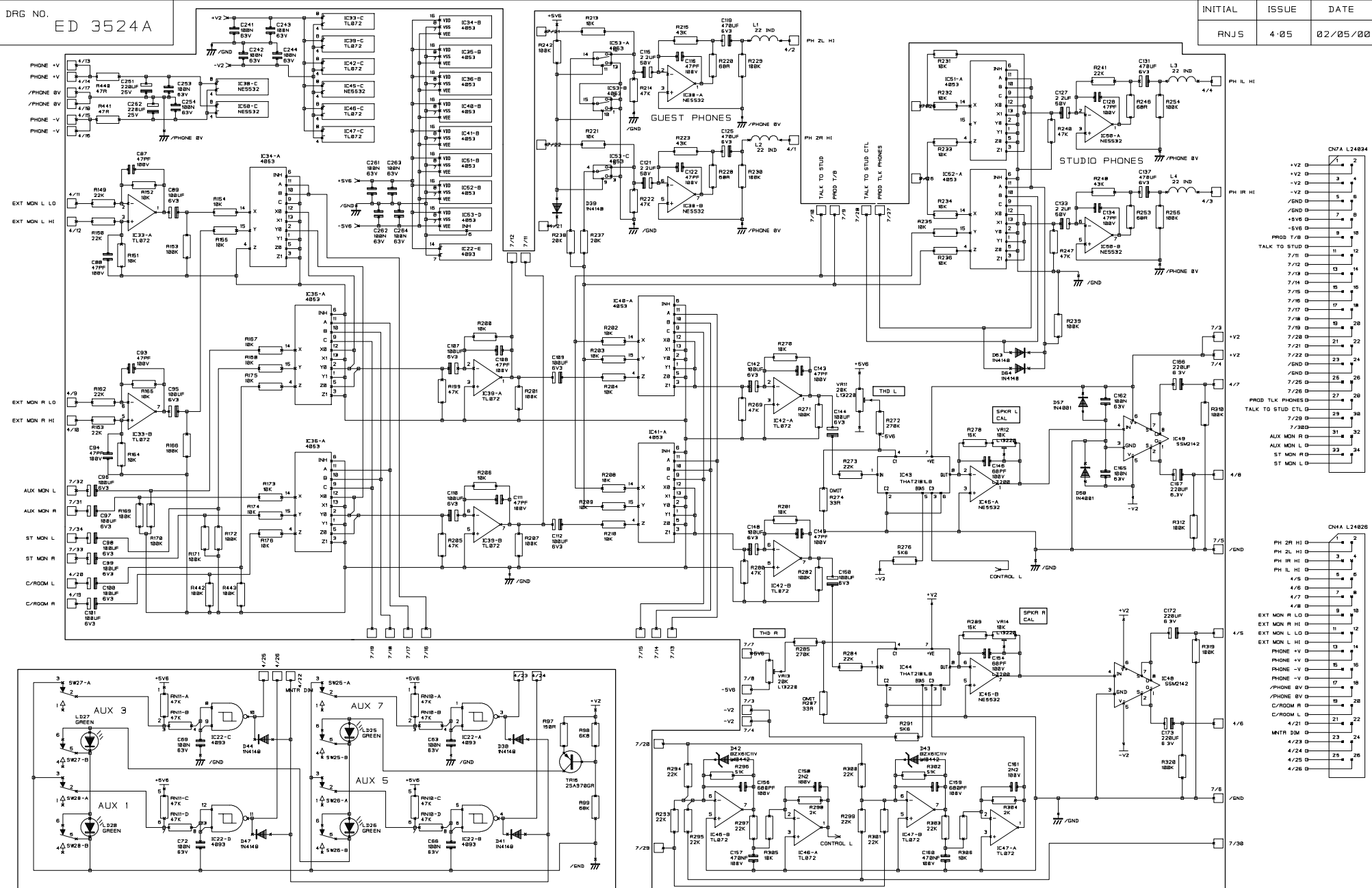
NOTES
FIT R582,R584 = 180K ONLY WHEN STEREO MASTER HAVE TRANSFORMERS
REFER TO
SC3516 SHEET 2
OMIT D35 AND D37 EXCEPT FOR USE AS STUDIO MONITOR

DRN. CB/VCR

TITLE
B400 MONITOR
MODULE SUB PCB
DRG NO
ED3523D

DRG NO. ED 3524A

INITIAL	ISSUE	DATE
RNJS	4-05	02/05/00



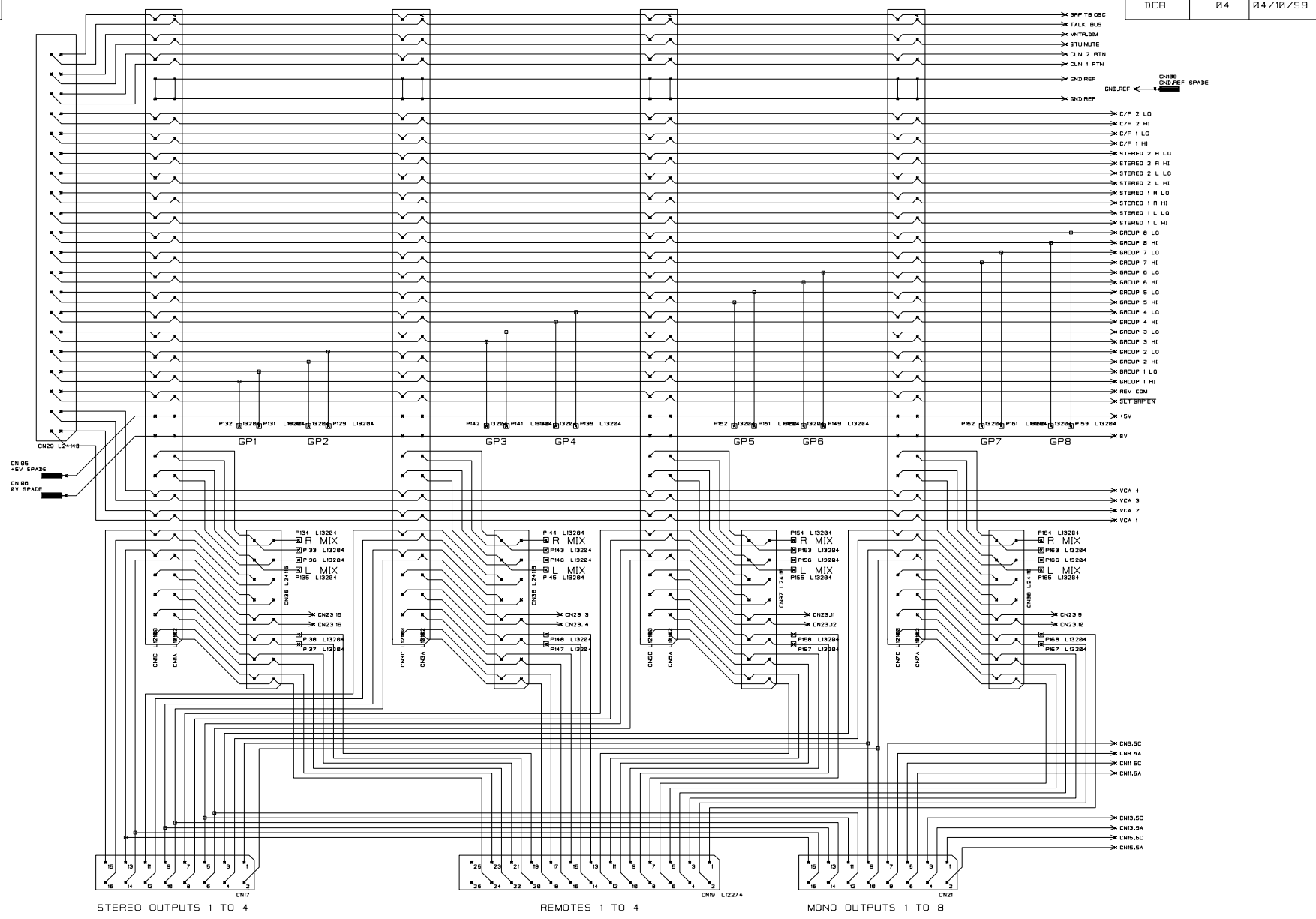
NOTES

DRN. CB

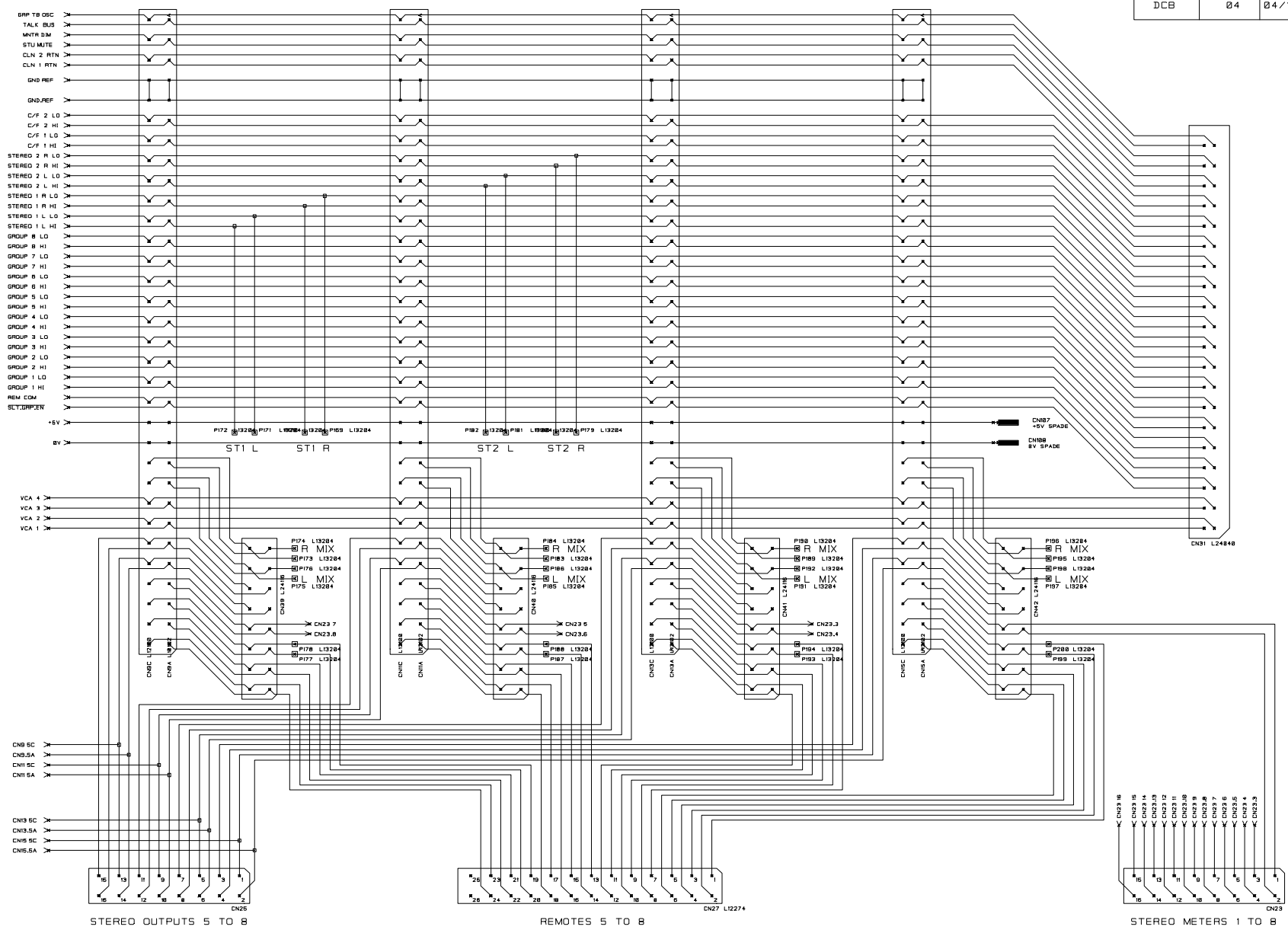
TITLE B800
COMMS MODULE
SUB BOARD

DRG NO. ED 3524A

INITIAL	ISSUE	DATE
DCB	04	04/10/99



NOTES	DRN.	CJH	TITLE
			B800 8 WAY MOTHERBOARD
			DRG NO. ED3555A



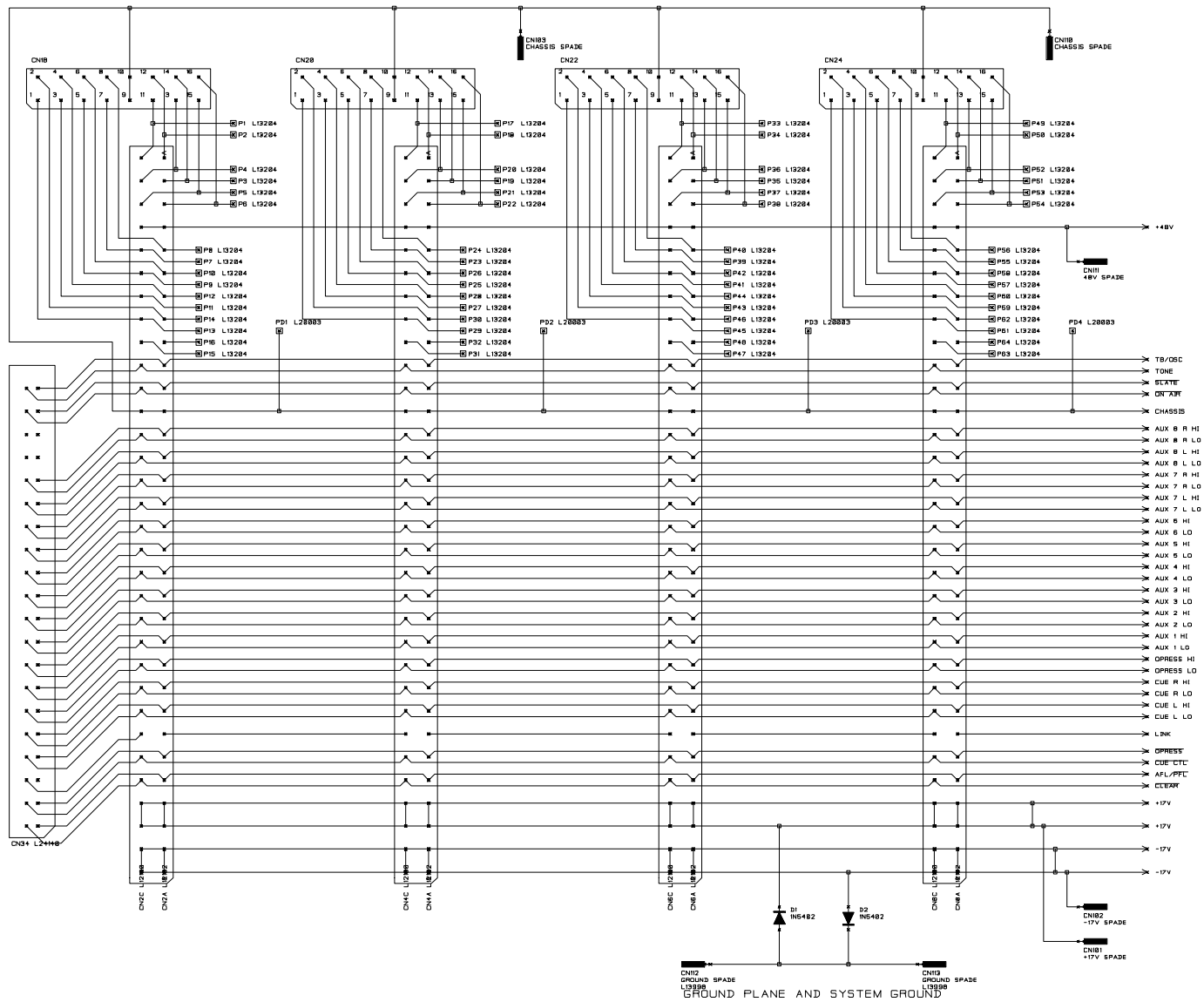
NOTES

DRN. CJH

TITLE
B800 8 WAY
MOTHERBOARD

DRG NO. ED3555B

INITIAL	ISSUE	DATE
DCB	04	04/10/99

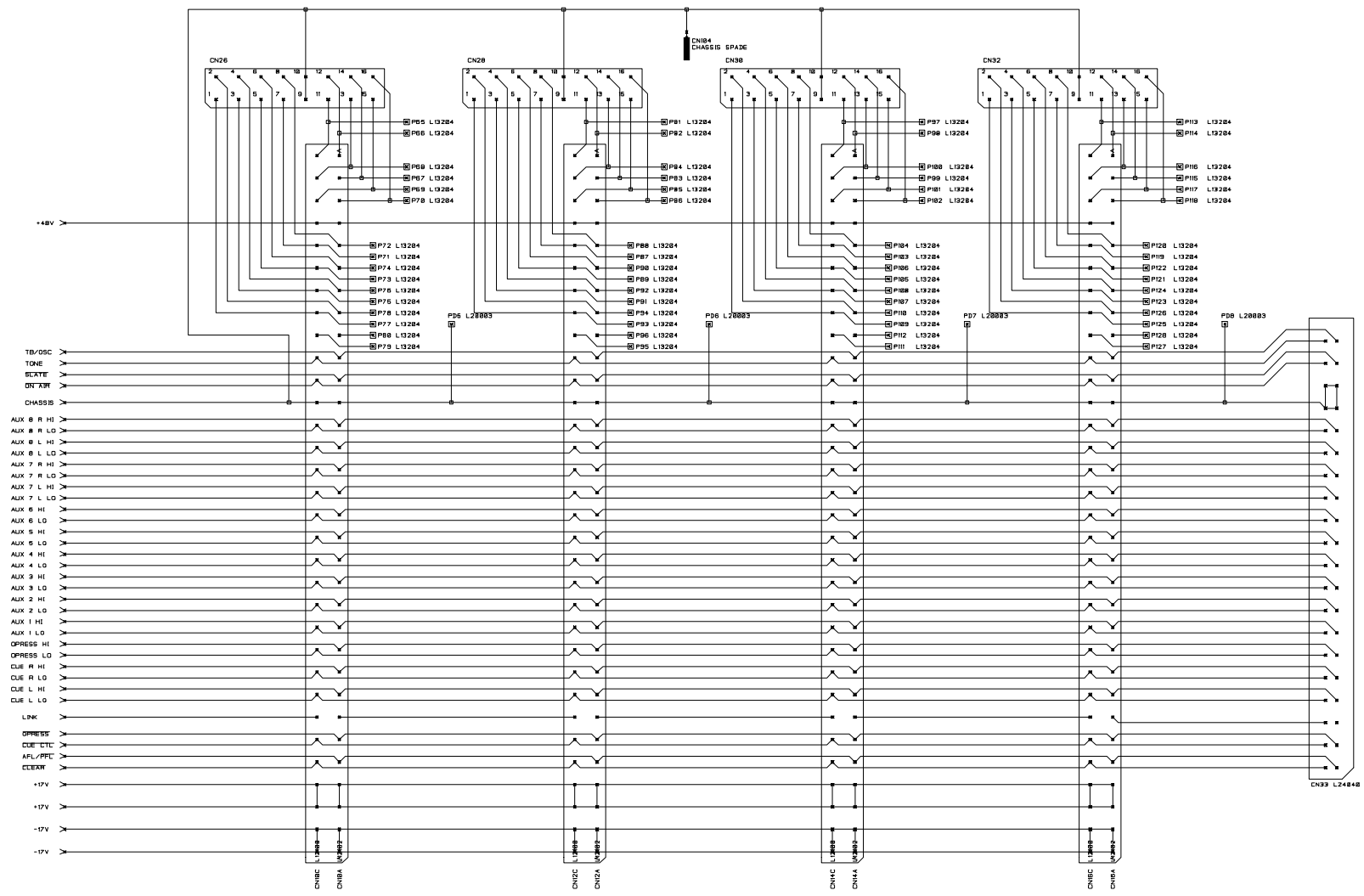


NOTES

DRN. C.J.H.

TITLE
B800 8 WAY
MOTHERBOARD

DRG NO. ED3555C



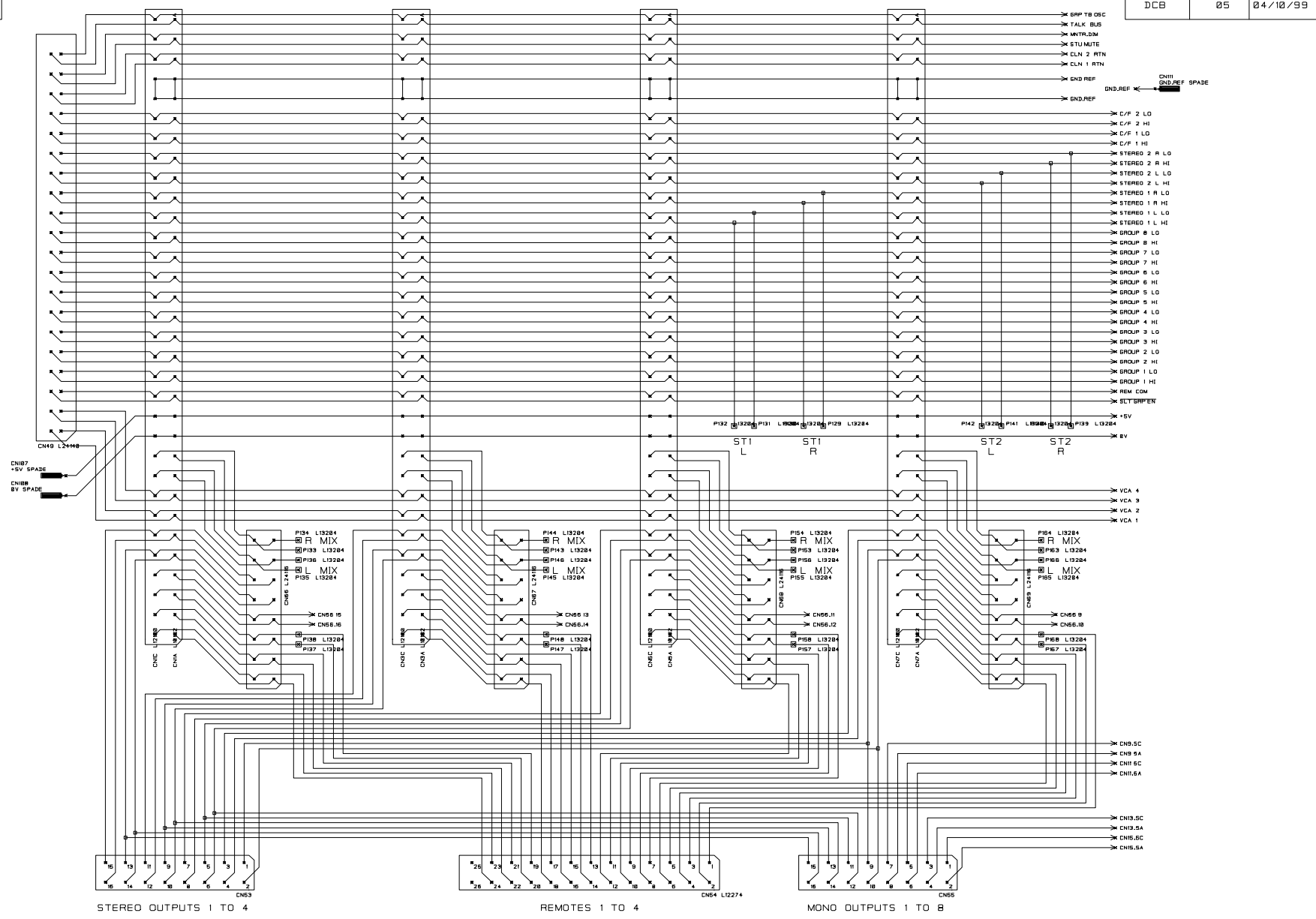
NOTES

DRN. C.J.H.

TITLE
B800 8 WAY
MOTHERBOARD

DRG NO. ED3555D

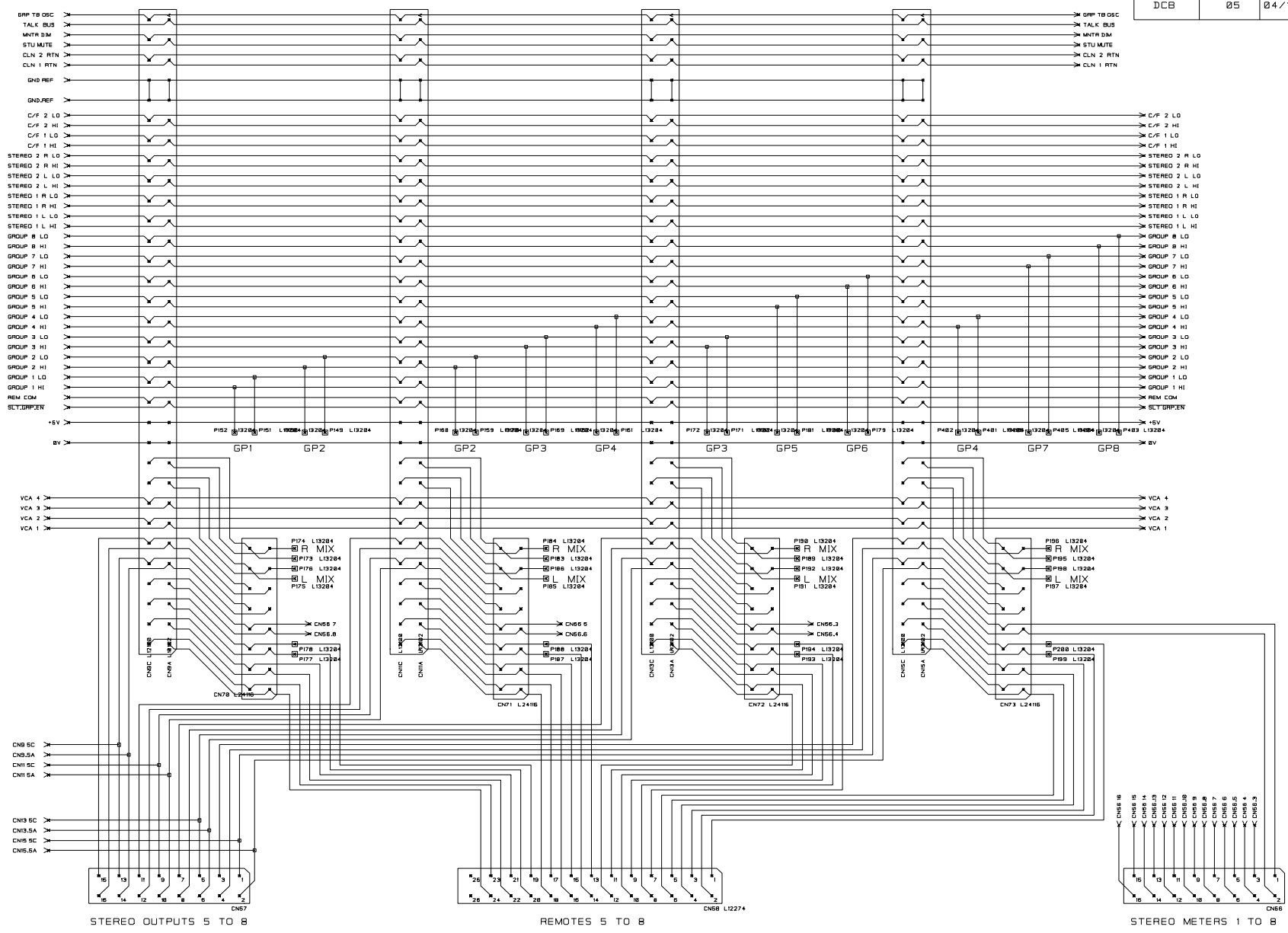
INITIAL	ISSUE	DATE
DCB	05	04/10/99



NOTES	DRN.	TITLE B800 16 WAY MOTHERBOARD
	CJH	
		DRG NO. ED3556A

DRG NO. ED3556B

INITIAL	ISSUE	DATE
DCB	05	04/10/99



STEREO OUTPUTS 5 TO 8

REMOTES 5 TO 8

STEREO METERS 1 TO 8

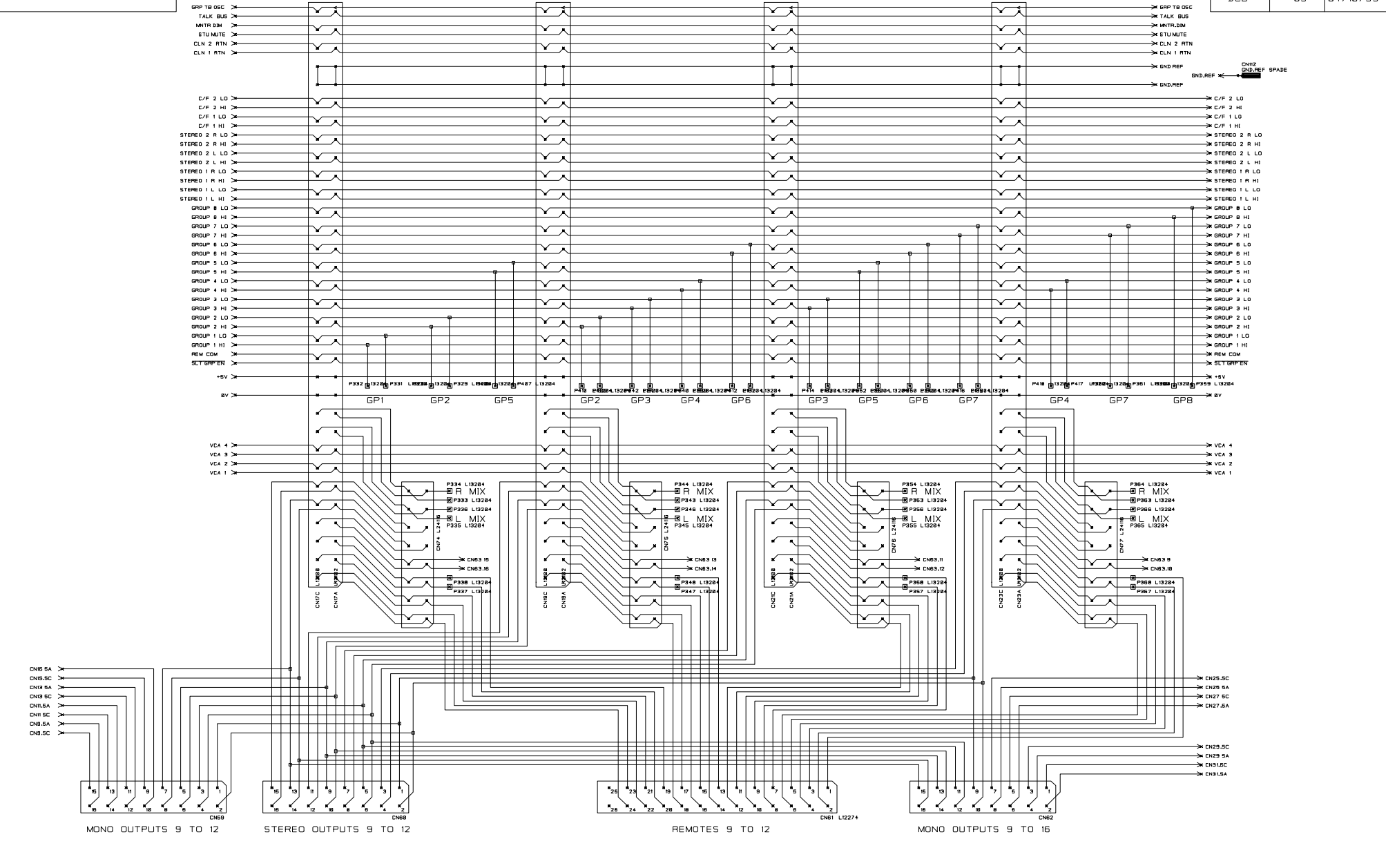
NOTES

DRN. CJH

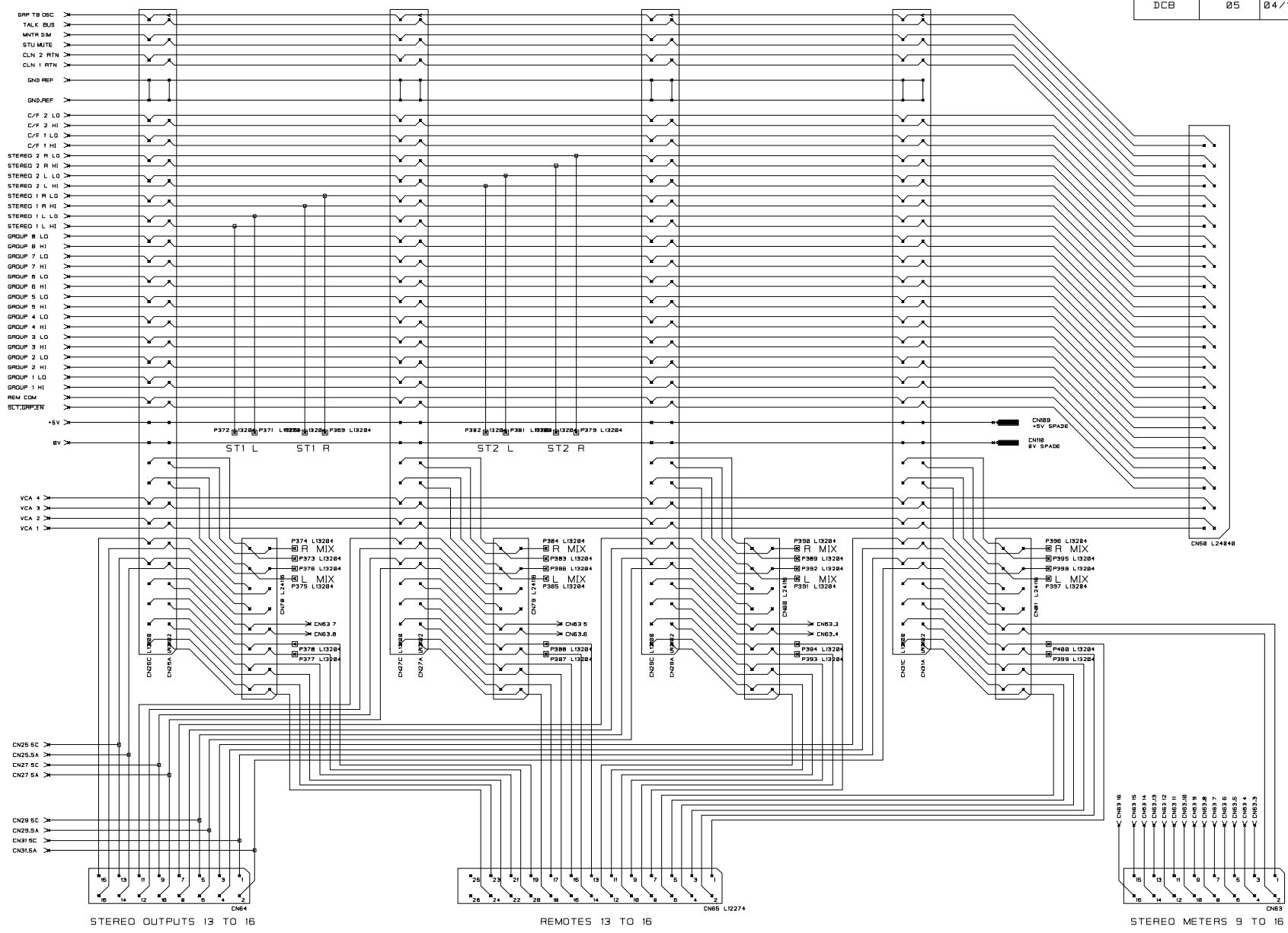
TITLE
B800 16 WAY
MOTHERBOARD

DRG NO.
ED3556B

INITIAL	ISSUE	DATE
DCB	05	04/10/99



NOTES	DRN.	CJH	TITLE
			B800 16 WAY MOTHERBOARD
			DRG NO. ED3556C



NOTES

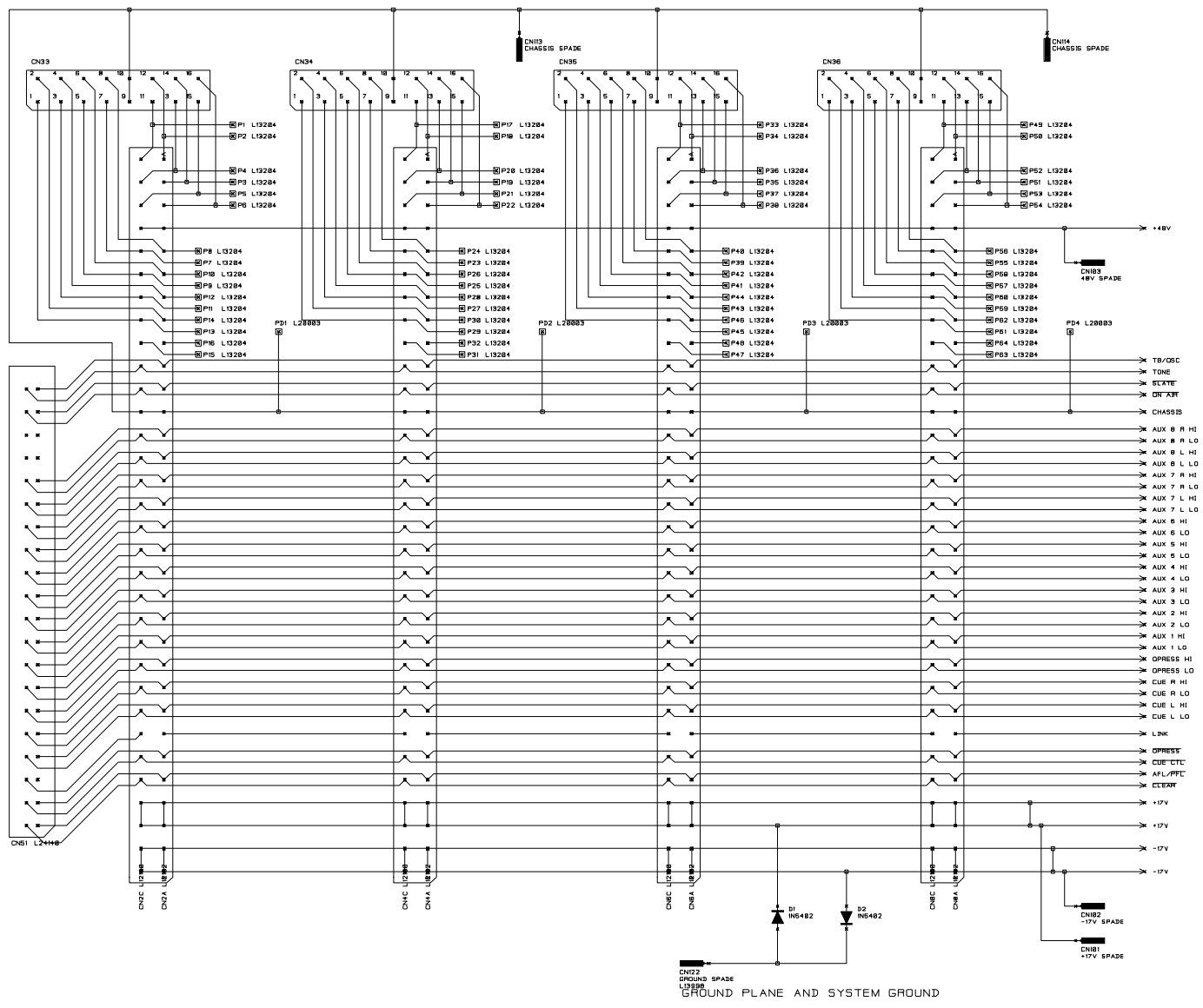
DRN.
CJH

TITLE
B800 16 WAY
MOTHERBOARD

DRG NO
ED3556D

DRG NO. ED3556E

INITIAL	ISSUE	DATE
DCB	05	04/10/99

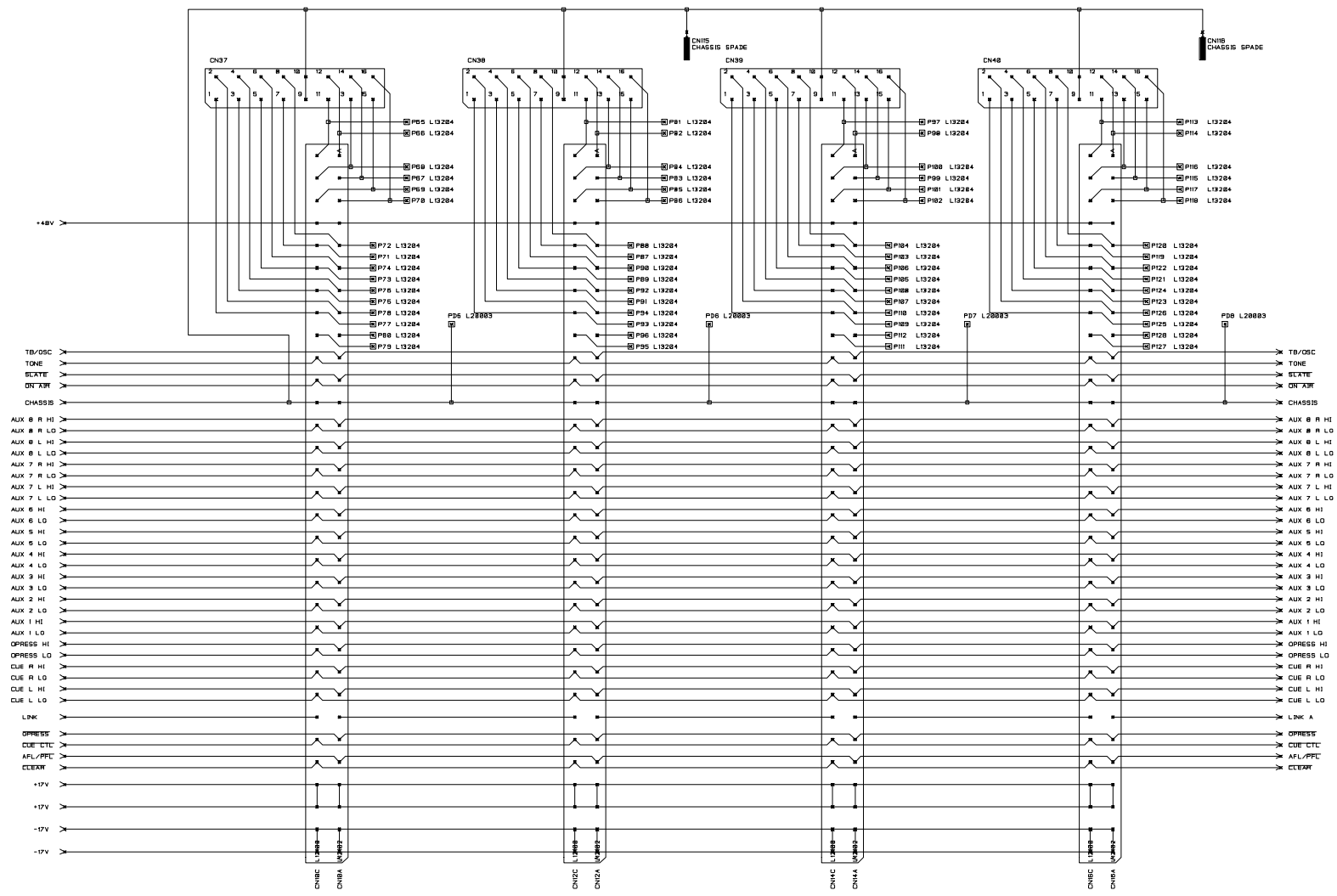


NOTES

DRN. C.J.H.

TITLE
B800 16 WAY
MOTHERBOARD

DRG NO
ED3556E

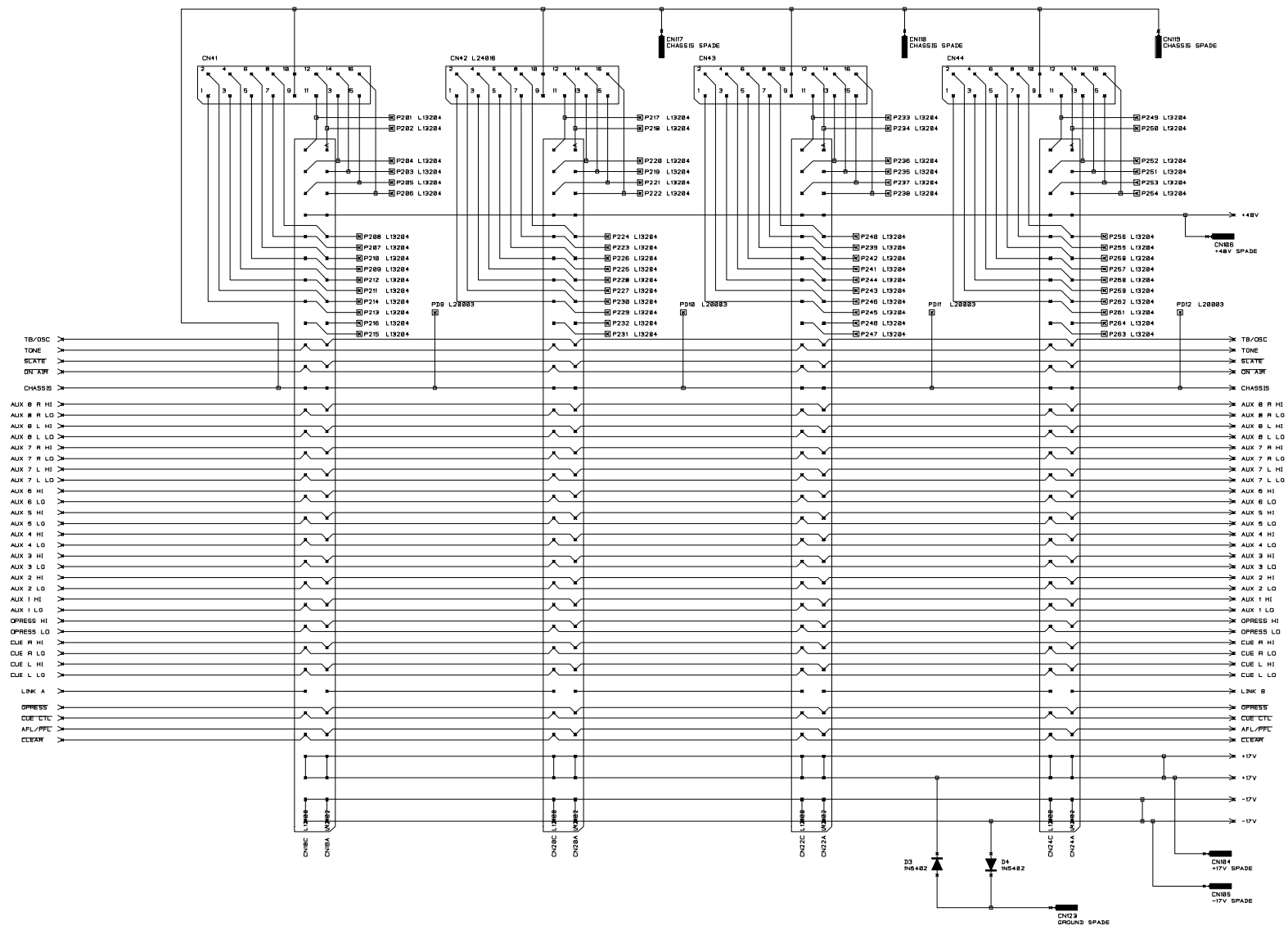


NOTES

DRN. C.J.H.

TITLE
B800 16 WAY
MOTHERBOARD

DRG NO. ED3556F

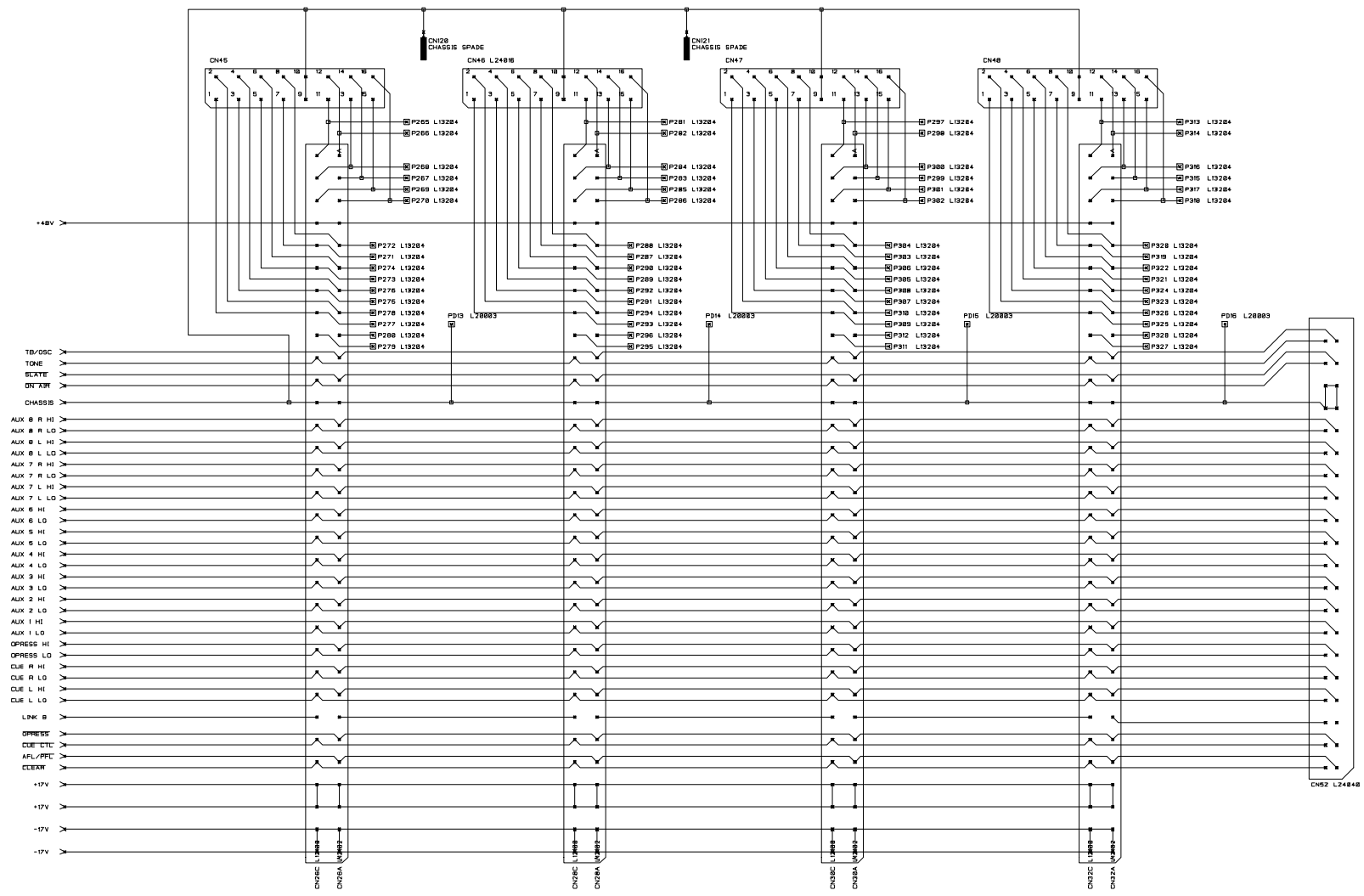


NOTES

DRN. C.J.H.

TITLE
B800 16 WAY
MOTHERBOARD

DRG NO. ED3556G

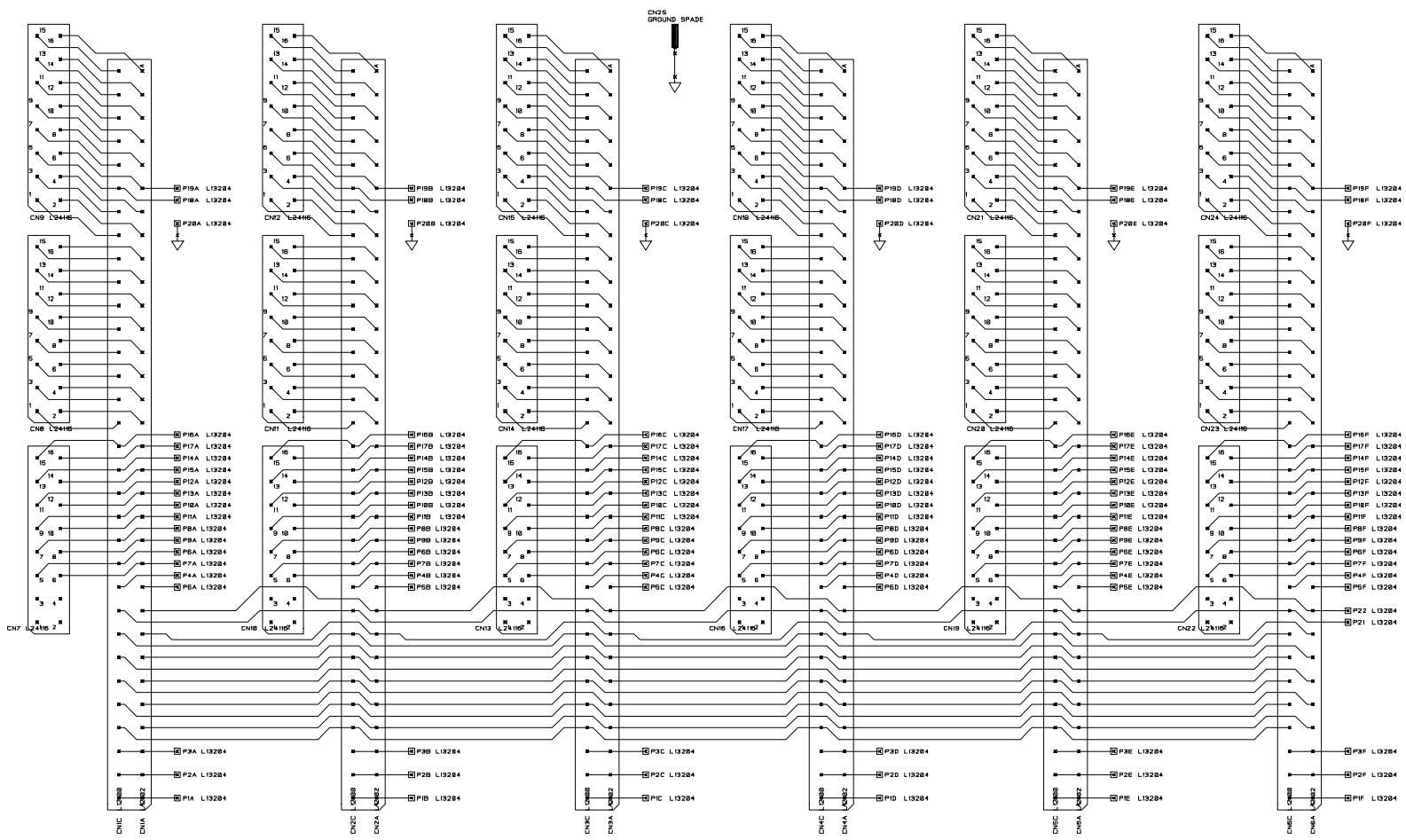


NOTES

DRN. C.J.H.

TITLE
B800 16 WAY
MOTHERBOARD

DRG NO. ED3556H

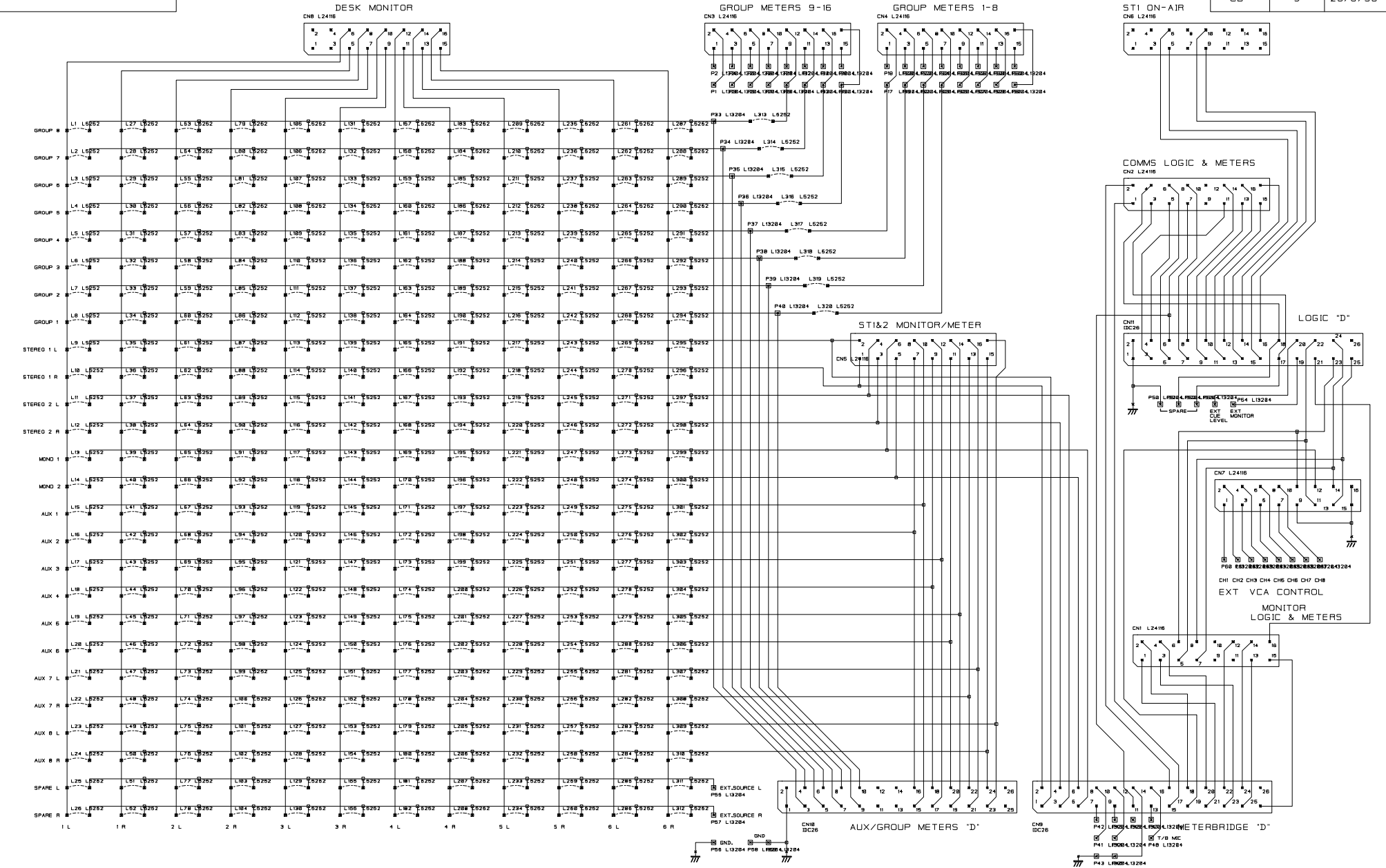


NOTES

DRN. CJH

TITLE
BB00 6 WAY MASTER
SECTION MOTHERBOARD

DRG NO
ED3557

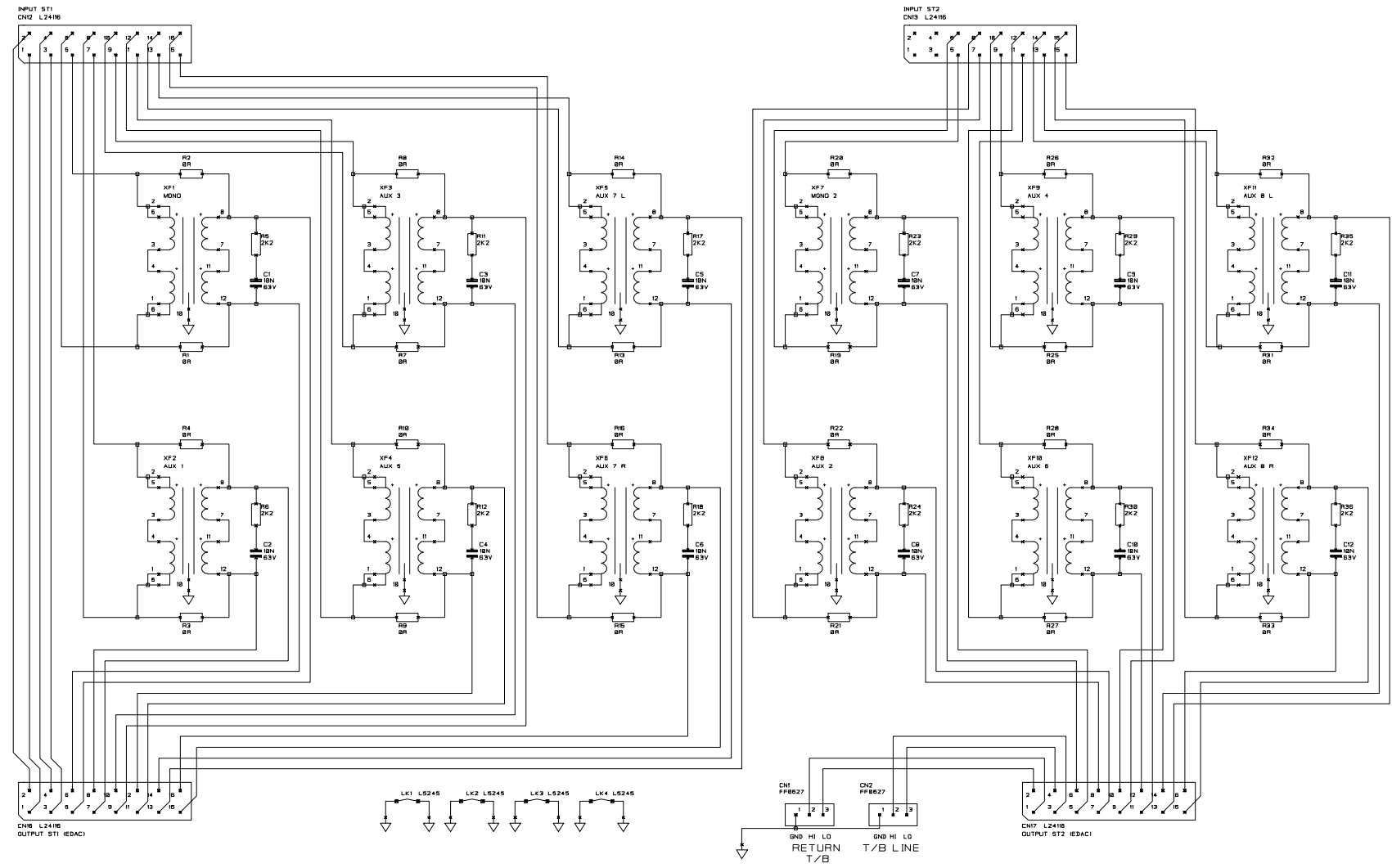


NOTES

DRN. CJH

TITLE
SOUNDRAFT 8800
SCRAMBLE CARD

DRG NO. ED3558



NOTES

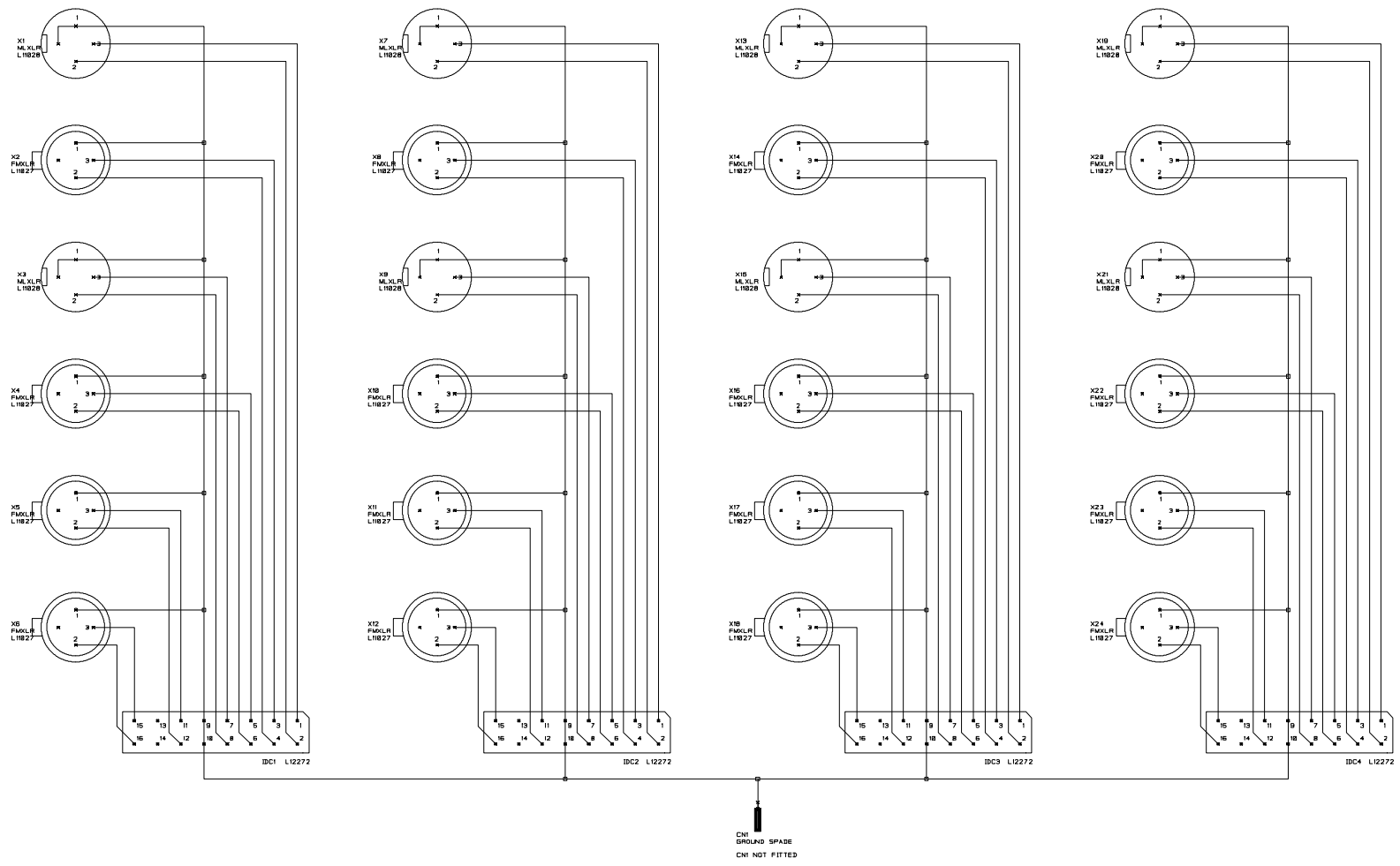
COMPONENTS USED
 R1 - R36
 C1 - C12
 XF1 - XF12
 P1 - P6
 LK1 - LK4
 CN12, CN13, CN16, CN17

THE BR RESISTORS ARE FITTED WHEN TRANSFORMERS ARE NOT REQUIRED

DRN. CJH

TITLE
 SOUNDRAFT
 B800/B400
 TRANSFORMER PCB

DRG NO. ED3559

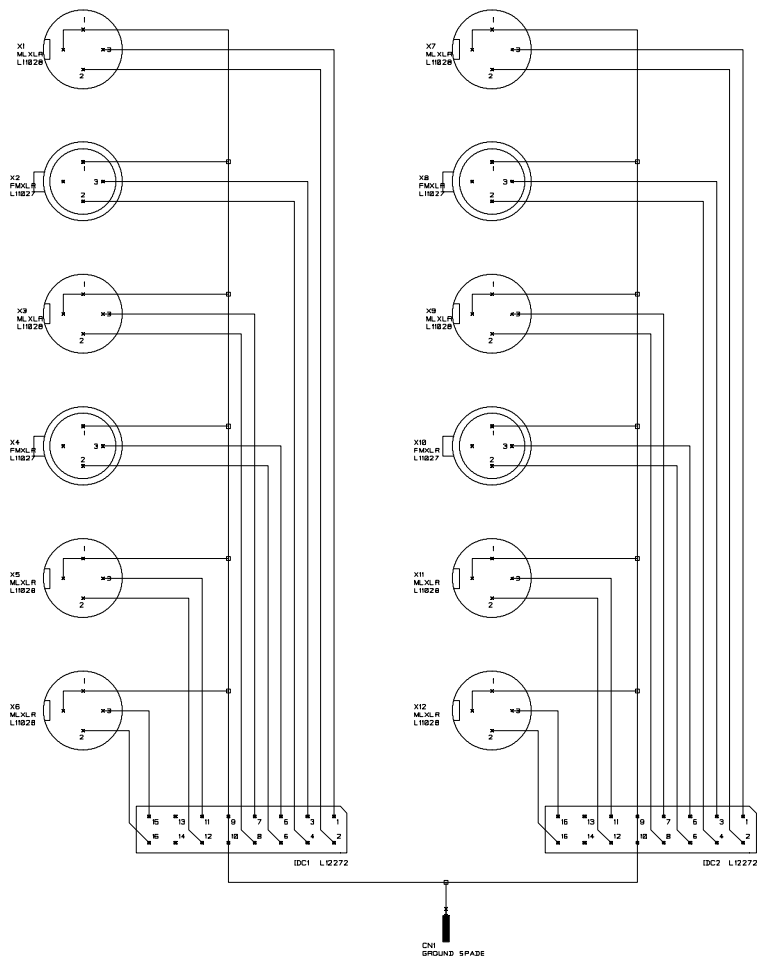


NOTES

DRN.

TITLE
 BB00 4 WAY 1/P-GROUP
 REAR CONNECTOR PANEL

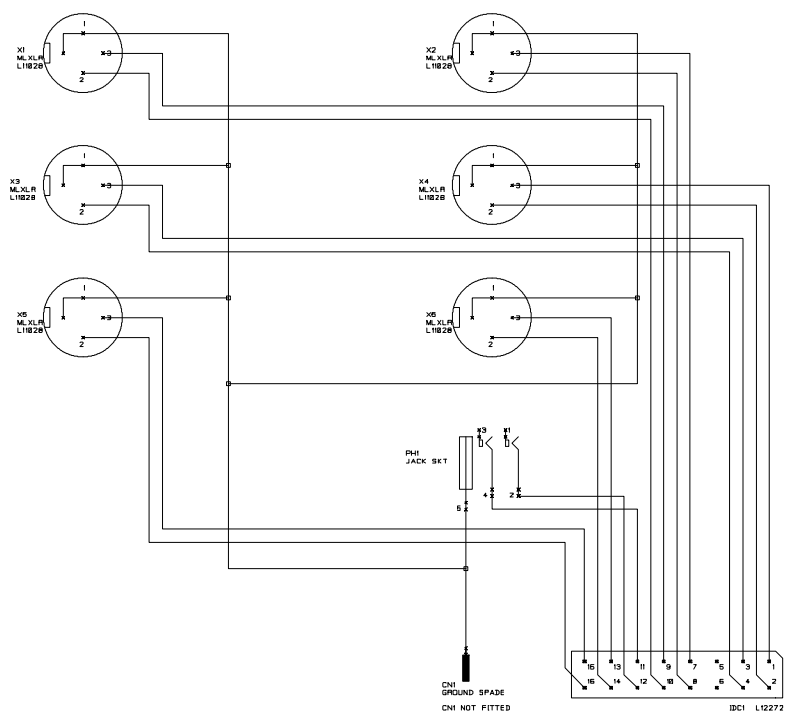
DRG NO
 ED 3561



NOTES

DRN.

TITLE
 BB00 2 WAY
 STEREO MASTER
 REAR CONNECTOR PANEL
 DRG NO. ED3563



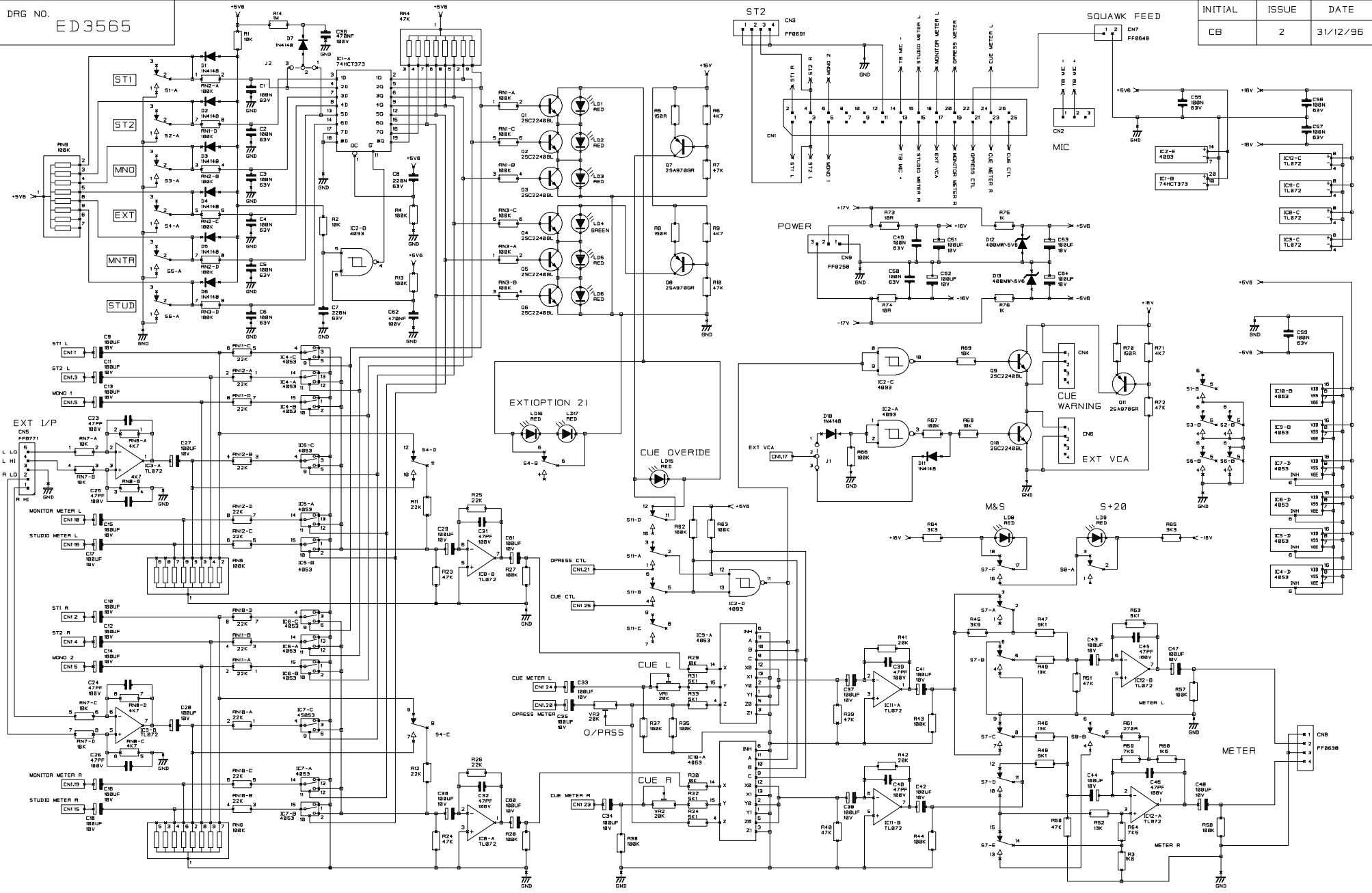
NOTES

DRN.

TITLE
 BB00 2 WAY
 MONITOR/COMMS
 REAR CONNECTOR PANEL

DRG NO. ED 3564

INITIAL	ISSUE	DATE
CB	2	31/12/96



NOTES

COMPONENTS USED
 R1 - R7B S1 - S11
 C1 - C81
 D1 - D10
 LD1 - LD7
 Q1 - Q11
 RN1 - RN12
 CN1 - CN6
 P1 - P8
 IC1 - IC12

VERSION 1
 S4 IS TWO POLE MOMENTARY DP8528
 LDR, LDR NOT FITTED
 RN1, RN2 NOT FITTED

VERSION 2
 S4 IS FOUR POLE LATCHING DP8538
 LD1 - LDR NOT FITTED
 Q1 - Q8 NOT FITTED
 RN1 - RN4 NOT FITTED
 RN5 - RN12 NOT FITTED
 D1 - D8 NOT FITTED
 C1 - C8 NOT FITTED
 P1 - P8
 IC1 AND IC4 - IC7 NOT FITTED

IC11 - C8 NOT FITTED
 P8 - P8 NOT FITTED
 Q8 NOT FITTED
 Q1 - Q8 NOT FITTED
 S1 - S3, S5, S6 NOT FITTED

J1 - FIT 1-2 - ACTIVE HIGH
 2-3 - ACTIVE LOW
 EXT VCA CONTROL INPUT

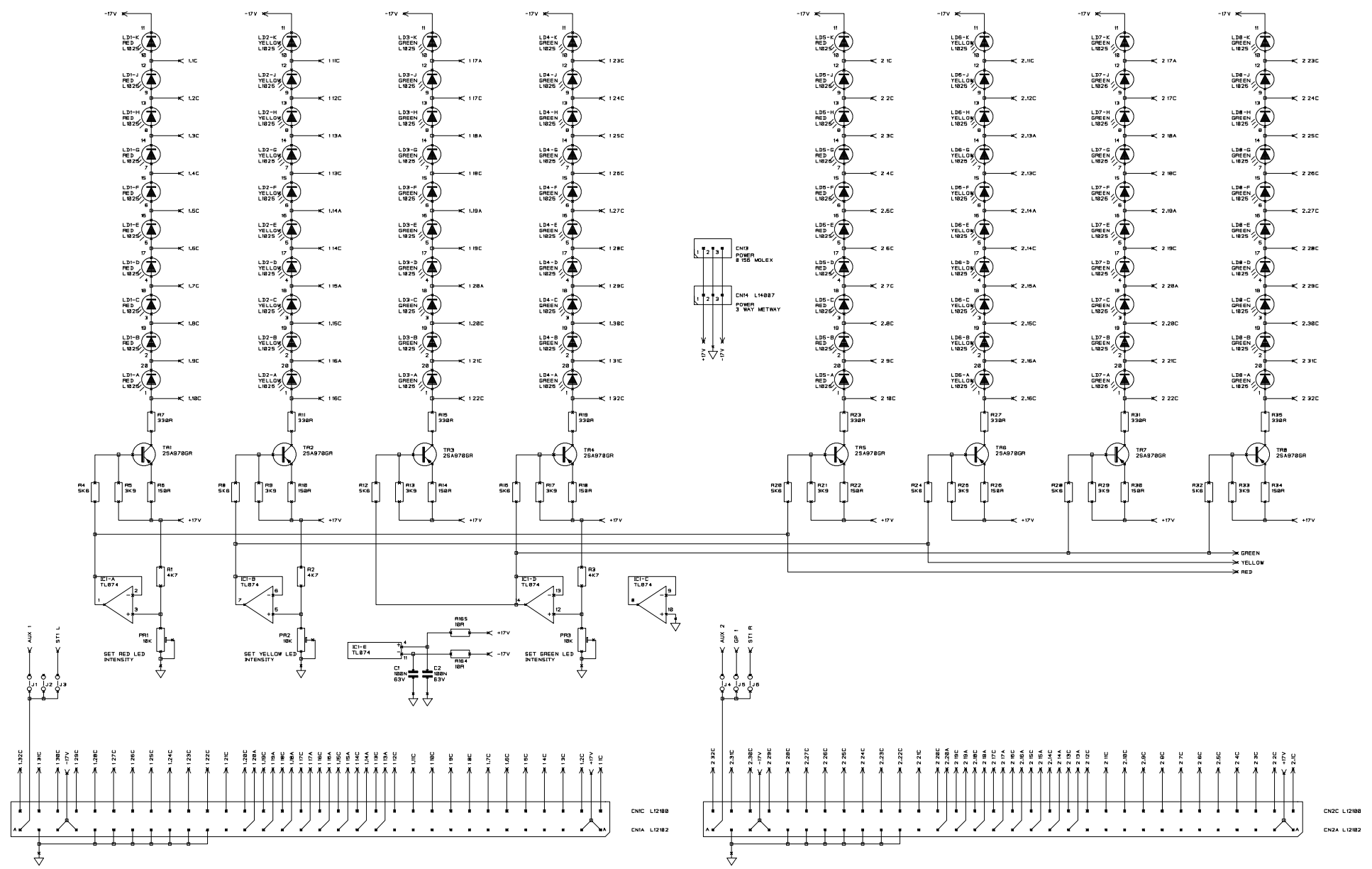
J2 - FIT 1-2 - MONITOR +
 2-3 - S11
 METER SOURCE ON START UP

DRN.

CJH

TITLE
 B800
 METER MASTER
 METER SELECT

DRG NO. ED3565



NOTES

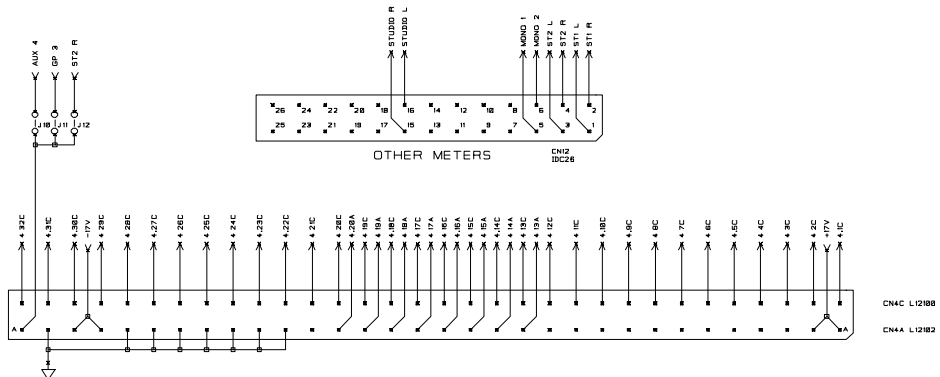
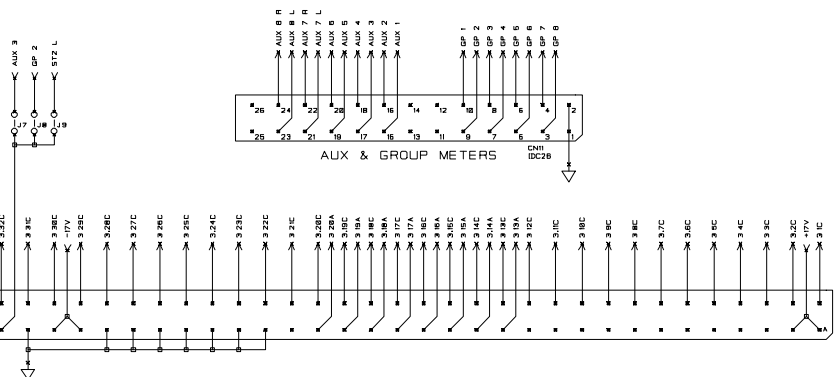
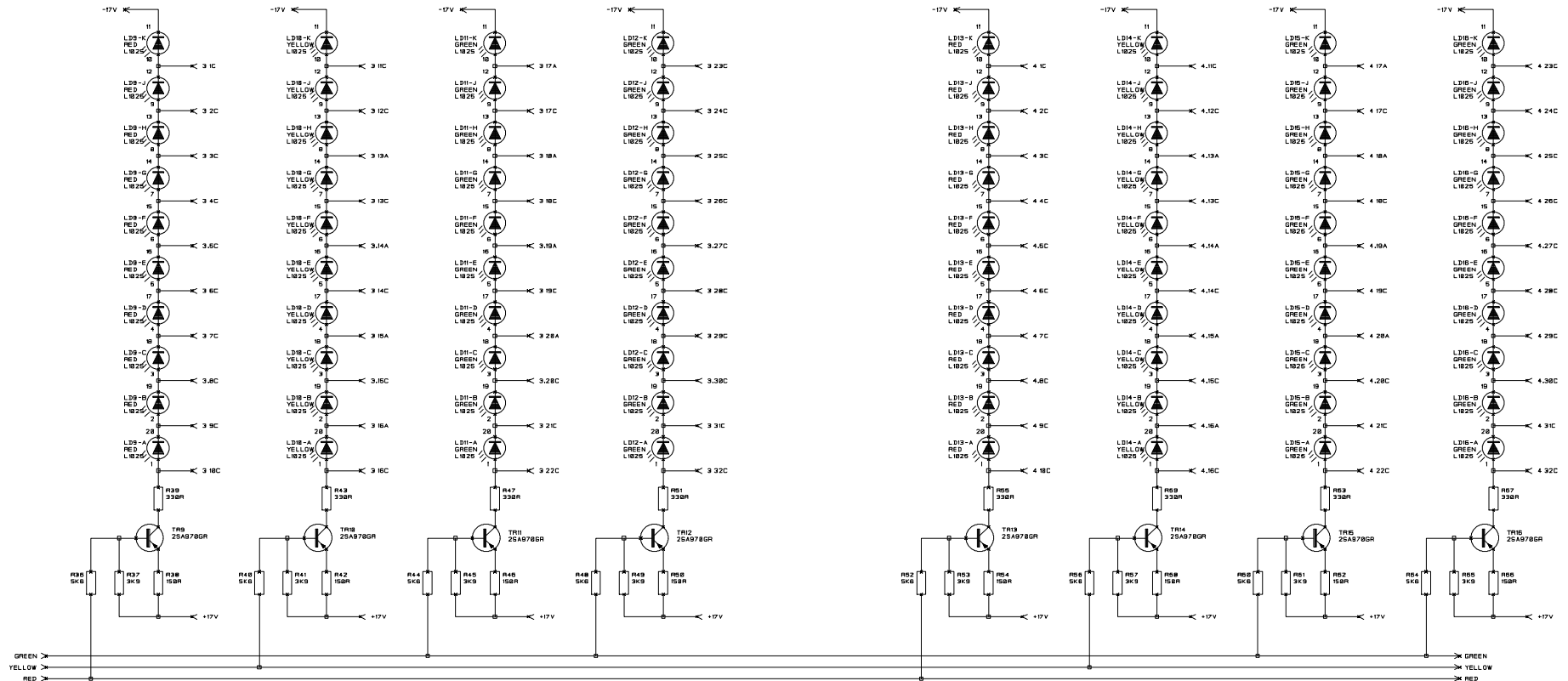
COMPONENTS USED
 R1 - R36, R54, R185
 C1 - C2
 C1 - C2
 LD1 - LD8
 TR1 - TR8
 J1 - J8
 CN1, CN2, CN9, CN14

PCB TYPE SC3566 ISSUE 1

DRN. CJH

TITLE
 B800 LED PPM METER
 DISPLAY BOARD

DRG NO. ED3566A



NOTES

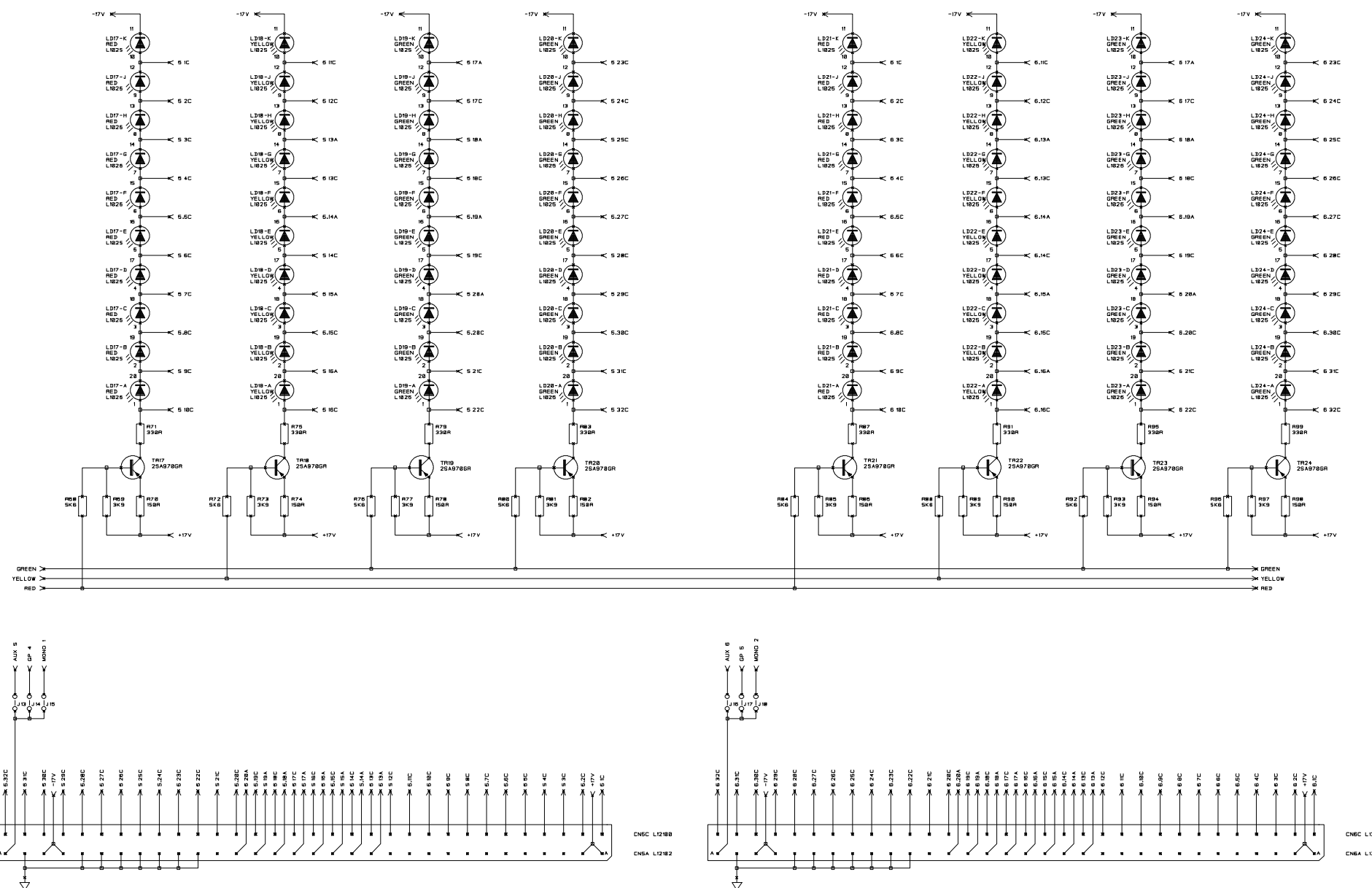
COMPONENTS USED PCB TYPE SC3566 ISSUE 1

R36 - R67
 LD9 - LD19
 TR9 - TR16
 J7 - J12
 CN3, CN4, CN1, CN2

DRN. CJH

TITLE
 B800 LED PPM METER
 DISPLAY BOARD

DRG NO. ED3566B



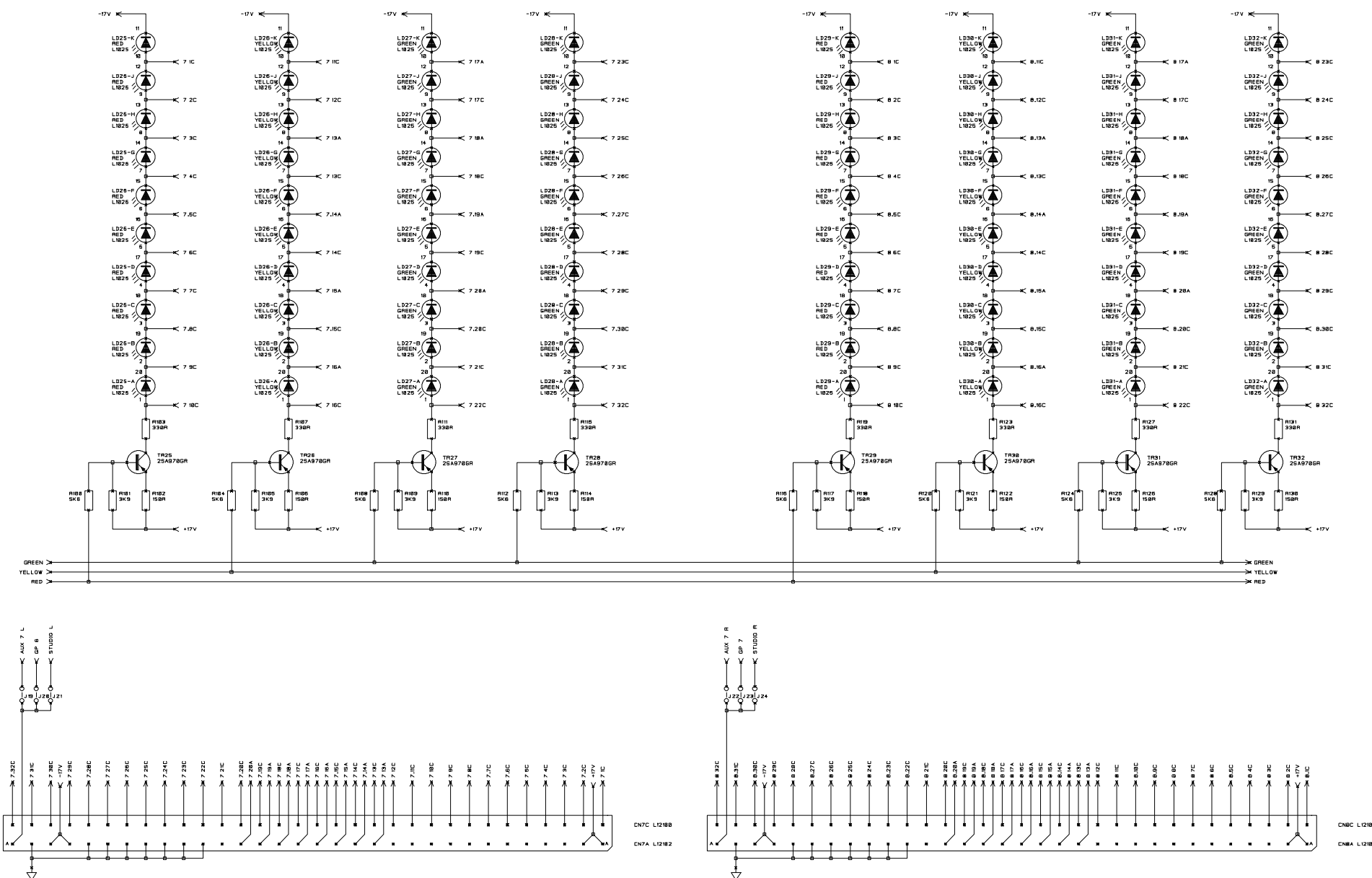
NOTES

COMPONENTS USED PCB TYPE SC3566 ISSUE 1
 R68 - R98
 LD17 - LD24
 TR17 - TR24
 J18 - J18
 C5A - C5D

DRN. CJH

TITLE
 B800 LED PPM METER
 DISPLAY BOARD

DRG NO. ED3566C

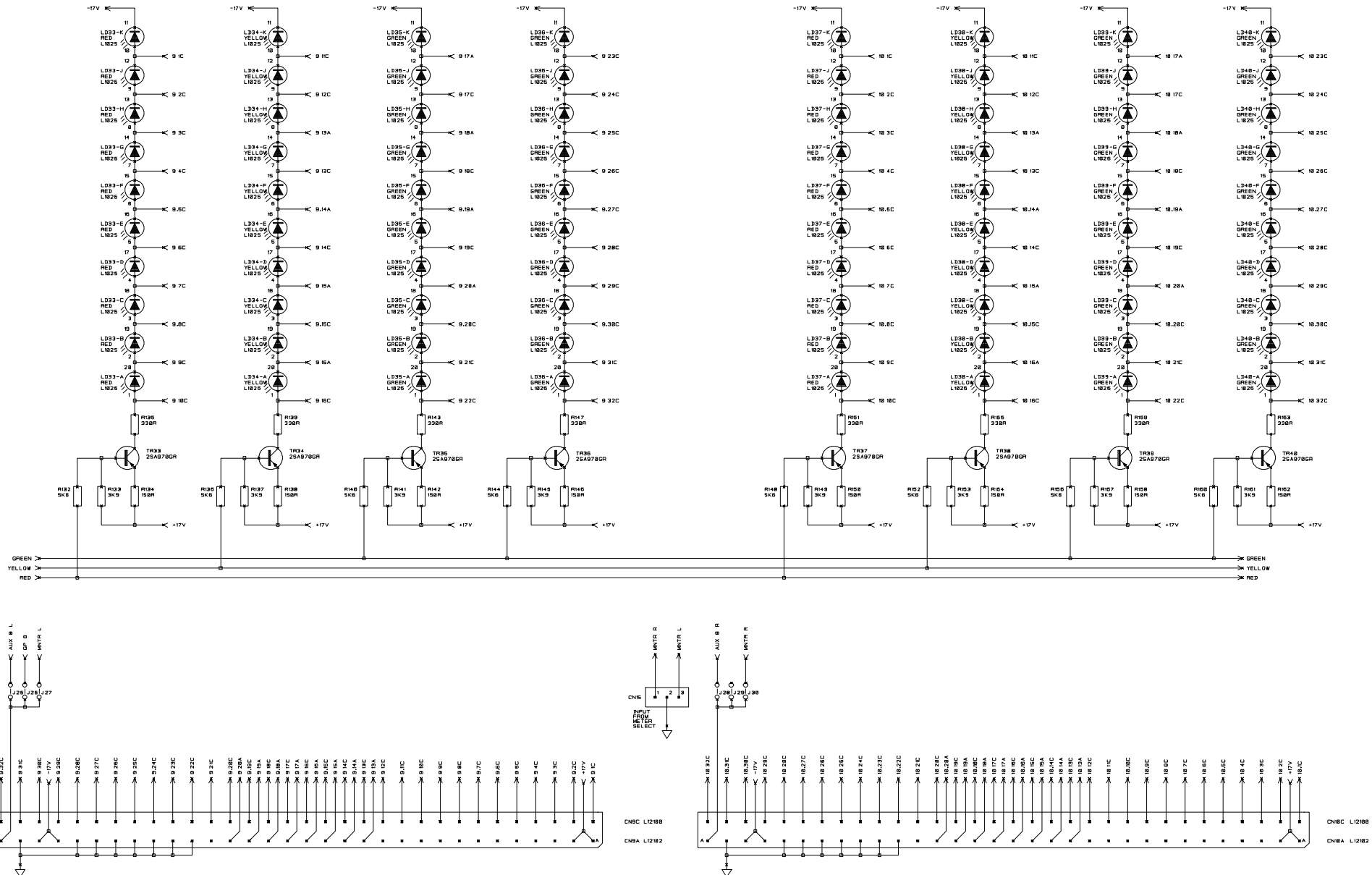


NOTES
 COMPONENTS USED PCB TYPE SC3566 ISSUE 1
 R108 - R131
 LD25 - LD32
 TR25 - TR32
 J18 - J24
 CNP - CN8

DRN. CJH

TITLE
 B800 LED PPM METER
 DISPLAY BOARD

DRG NO. ED3566D



NOTES

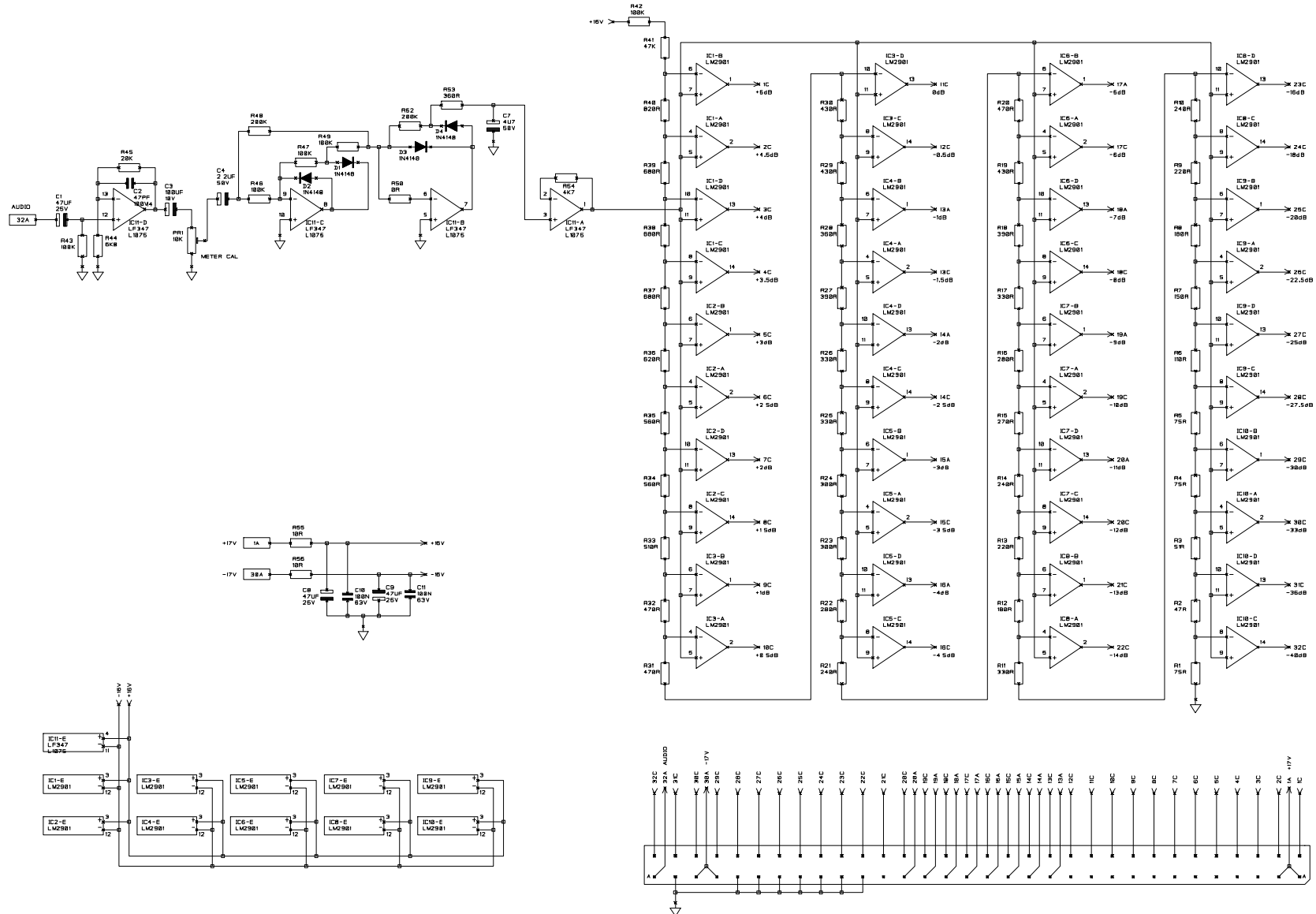
COMPONENTS USED PCB TYPE SC3566 ISSUE 1

R132 - R163
 LD33 - LD48
 TR33 - TR48
 J25 - J30
 CN8, CNB, CN5

DRN. CJH

TITLE
 B800 LED PPM METER
 DISPLAY BOARD

DRG NO. ED3566E



NOTES

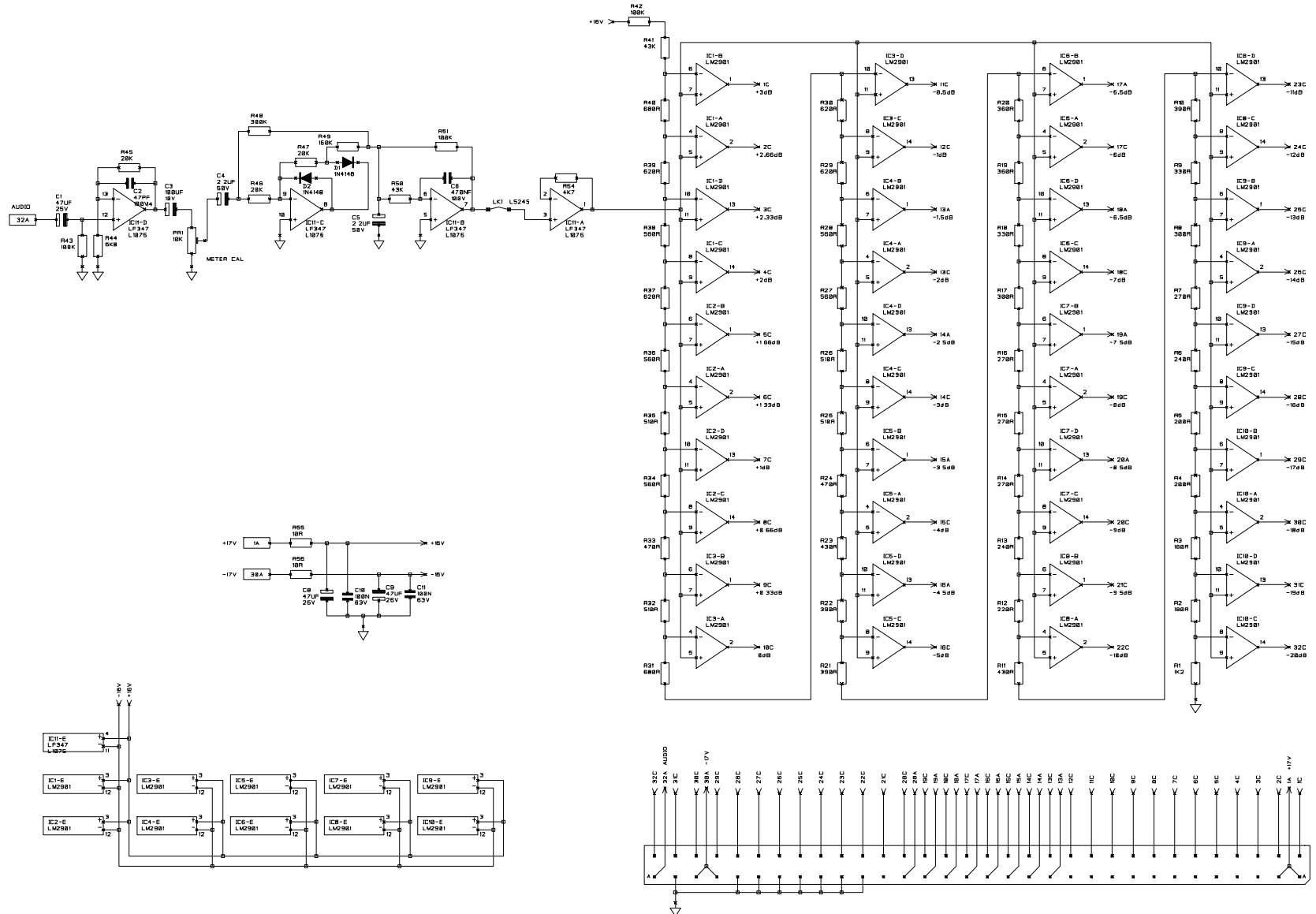
COMPONENTS USED
 R1 - R56, R52 - R56
 C1 - C4, C7 - C11
 D1 - D4
 CN1
 PR1

PCB TYPE SC3567 ISSUE 2 STANDARD OPTION
 PPM VERSION - SEE ED3567B FOR VU VERSION

DRN.
 CJH

TITLE
 B800 LED PPM METER
 DISPLAY DRIVER

DRG NO
 ED3567A



NOTES

COMPONENTS USED
 R1 - R5, R54 - R56
 C1 - C6, C8 - C11
 D1 - D2
 CN1
 PR1
 LK1

PCB TYPE SC3567 ISSUE 2 OPTION A
 VU VERSION - SEE ED3567A FOR PPM VERSION

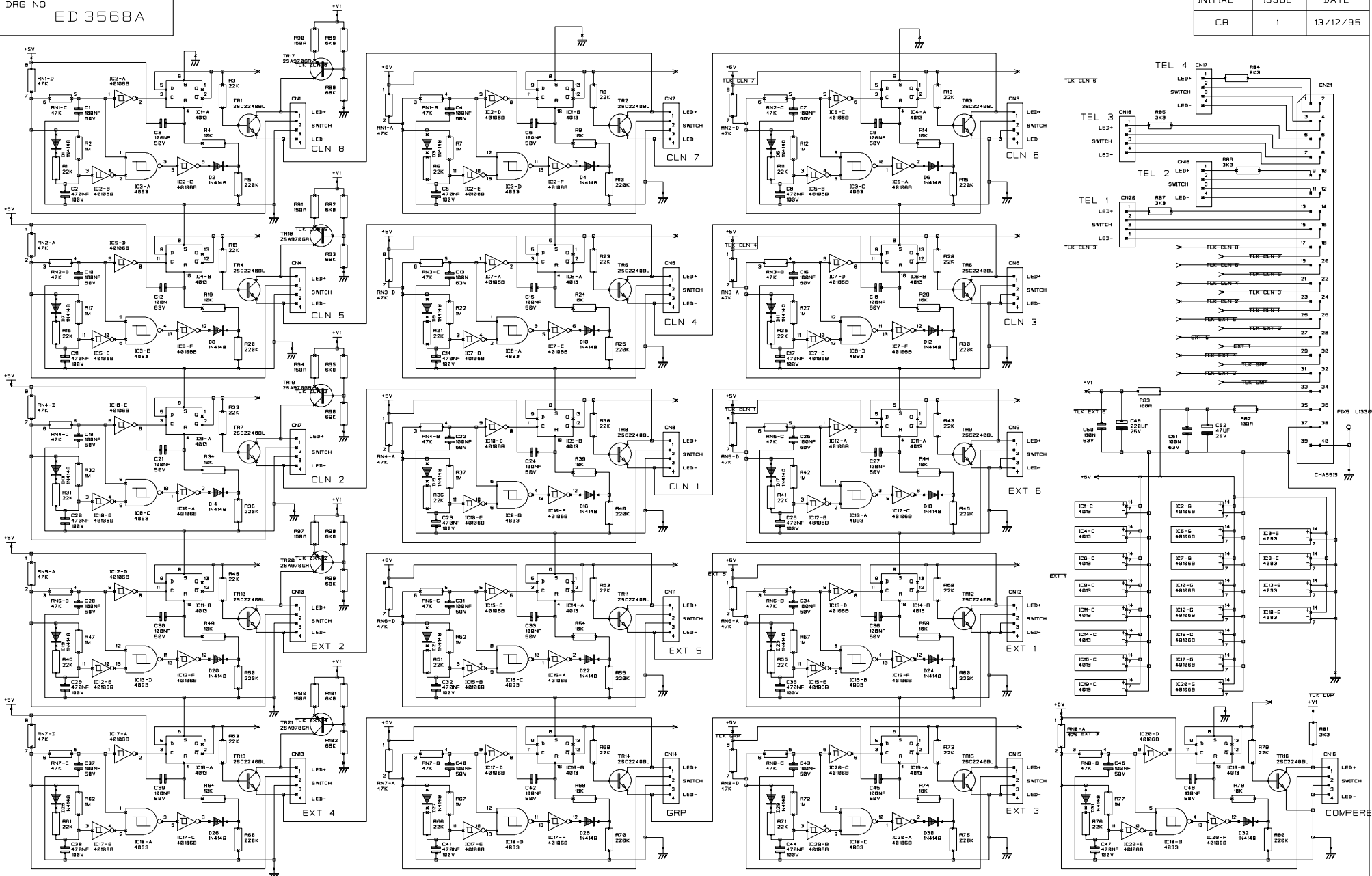
DRN. CJH

TITLE
 B800 LED VU METER
 DISPLAY DRIVER

DRG NO. ED3567B

DRG NO
ED 3568A

INITIAL	ISSUE	DATE
CB	1	13/12/95



NOTES PT ADDED CONNECTIONS CN3.6.9.12.15. PIN 3A4

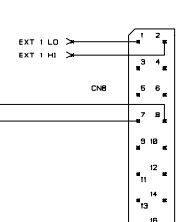
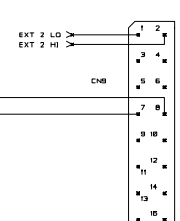
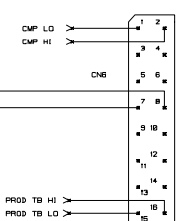
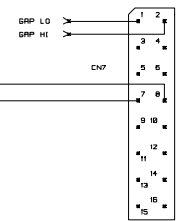
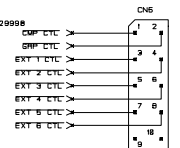
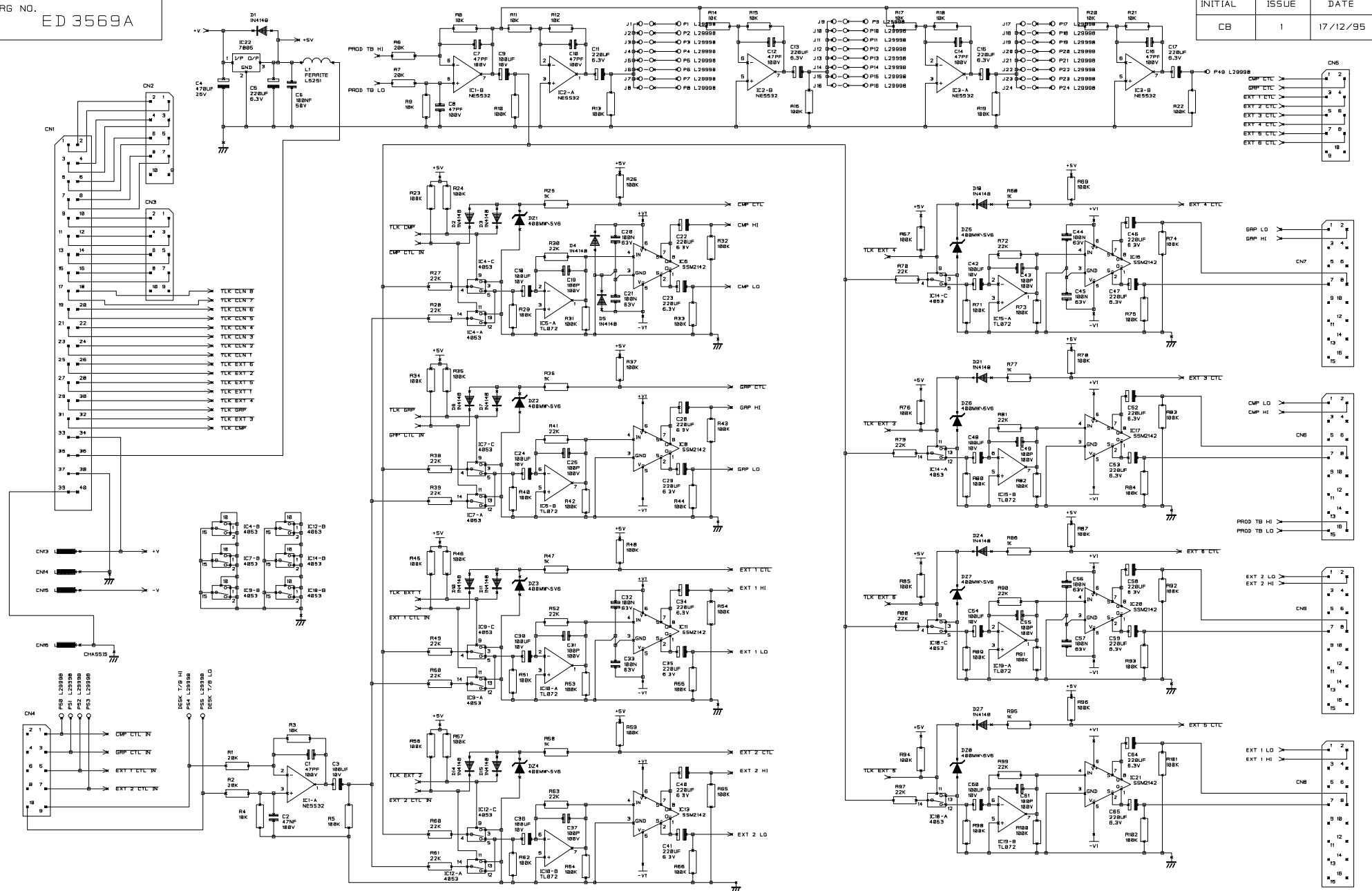
DRN

TITLE B800
RTE PROD T/B
SWITCH PANEL PCB

DRG NO ED 3568A

DRG NO. ED 3569A

INITIAL	ISSUE	DATE
CB	1	17/12/95

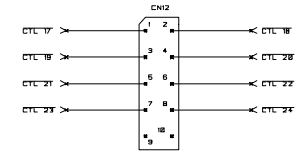
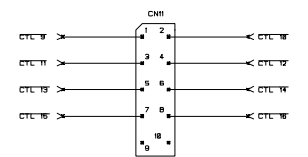
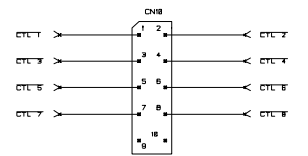
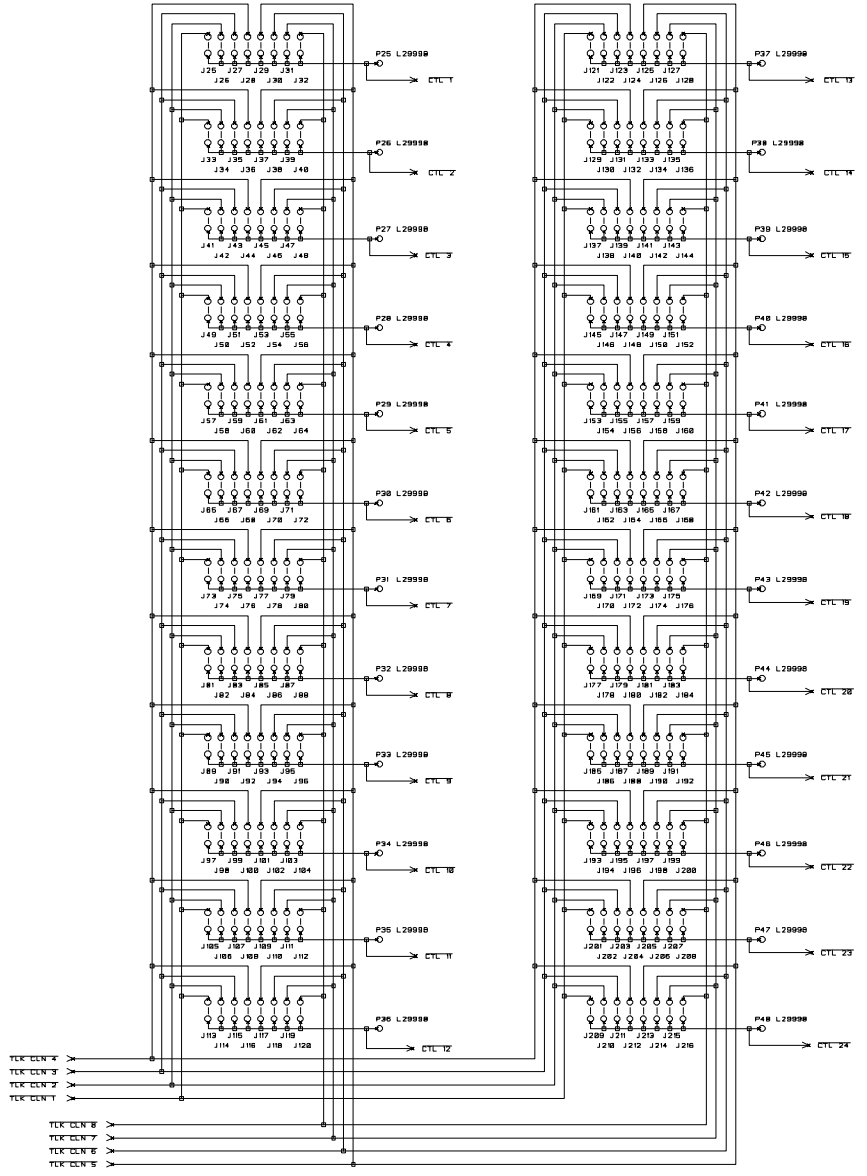
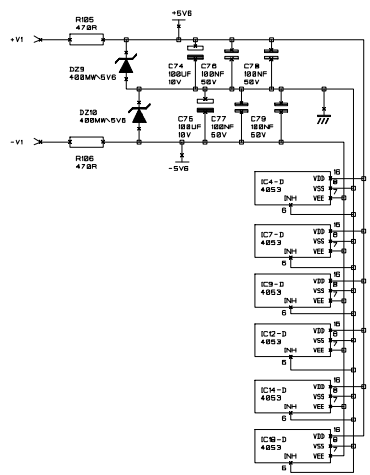
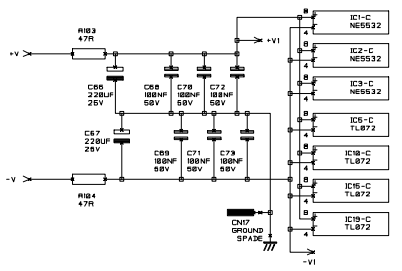


NOTES

DRN.

TITLE B800
RTE PROD T/B
MAIN PCB

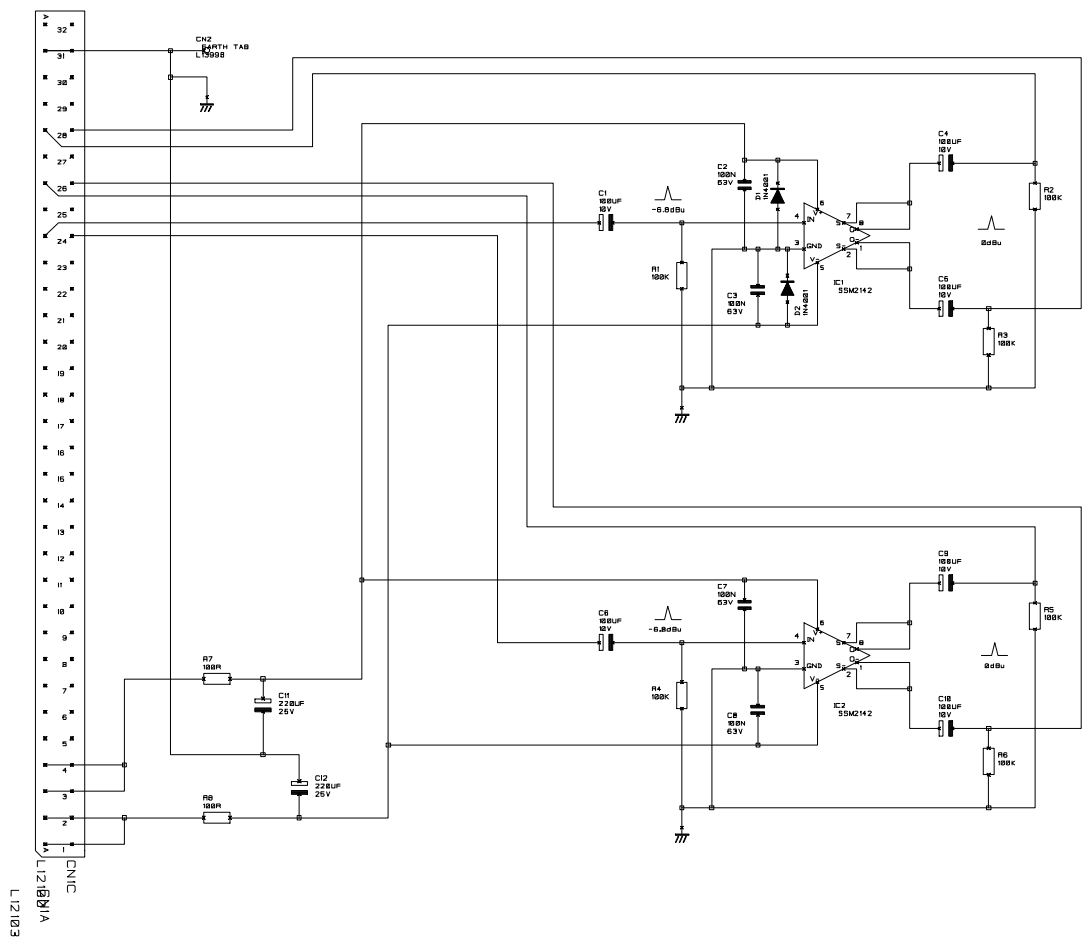
DRG NO. ED 3569A



NOTES

DRN.

TITLE B800
RTE PROD T/B
MAIN PCB
DRG NO. ED 3569B

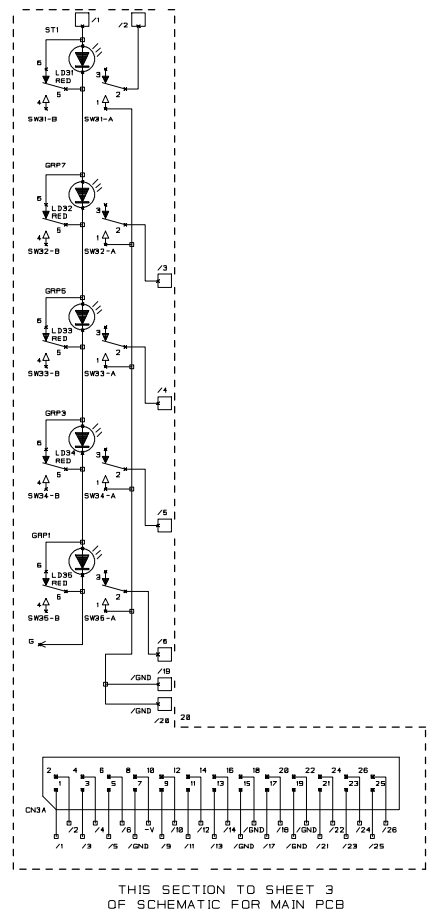
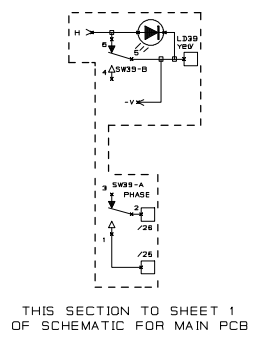
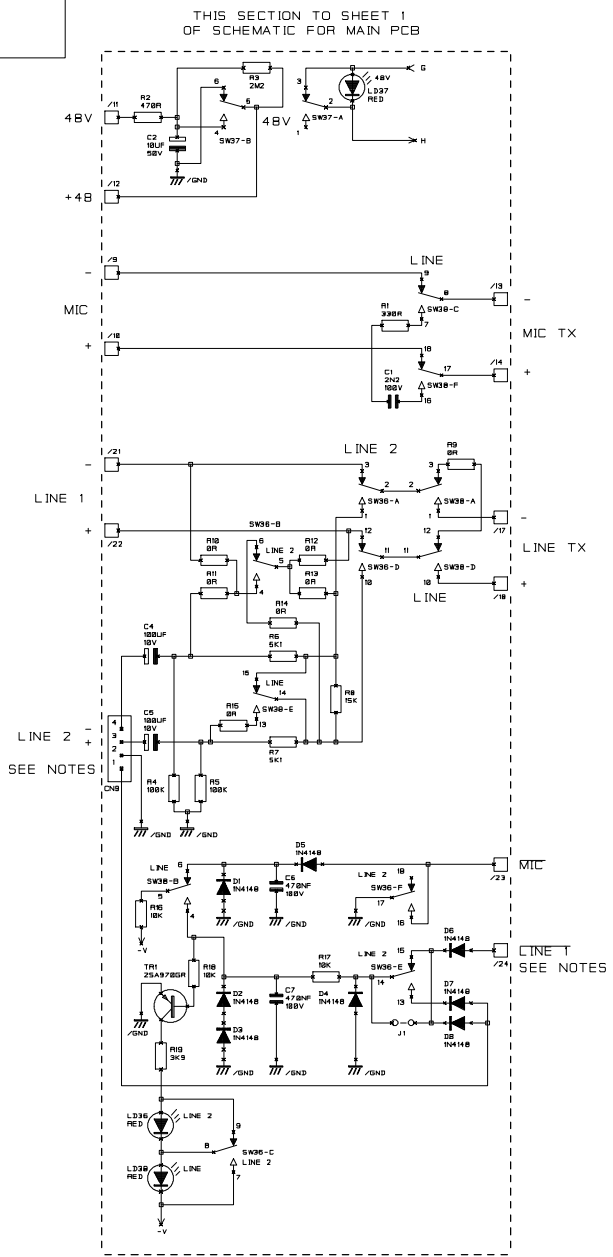


NOTES

DRN. CB

TITLE
 B800 STEREO
 BALANCED O/P PCB

DRG NO
 ED3570



NOTES
FOR NORMAL VERSION.
OMIT R11,R13,R14,R15

FOR TRANSFORMER OPTION:
CHANGE R6,R7 (5K1) TO 10K
CHANGE R8 (15K) TO 18K
OMIT R10,R12

FIT J1 IF LINE 2 MUST OPERATE
REMOTES AS WELL AS LINE 1

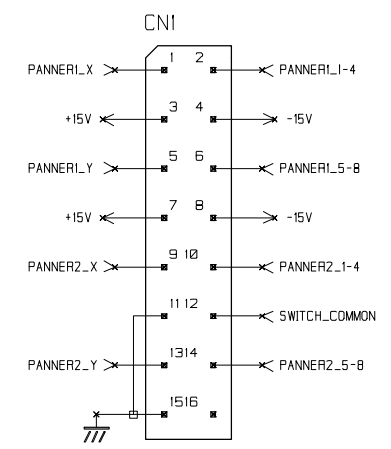
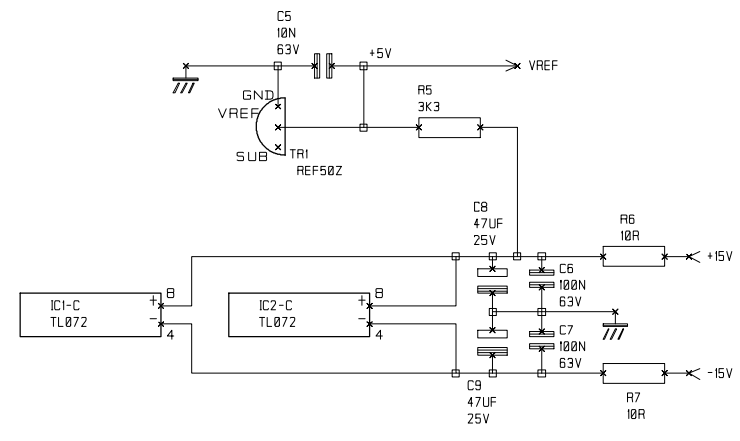
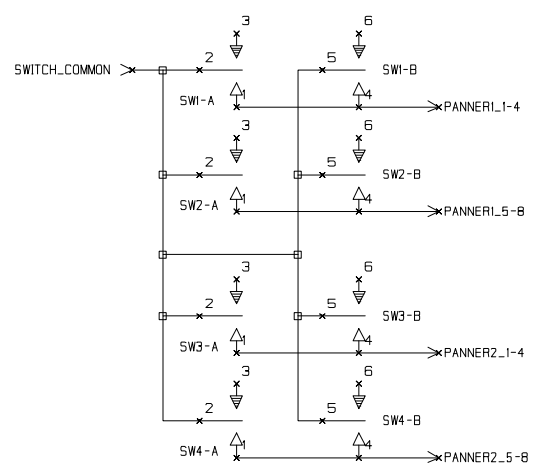
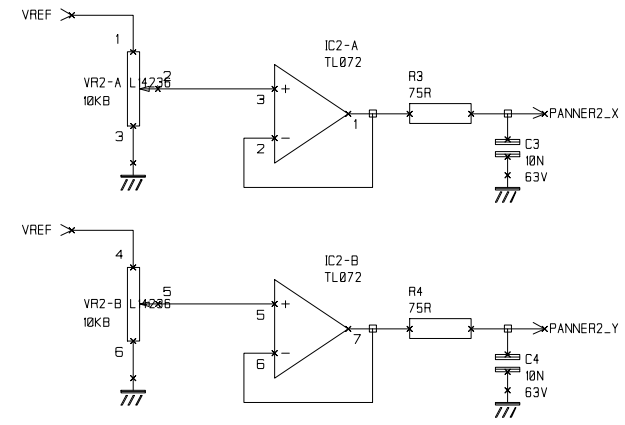
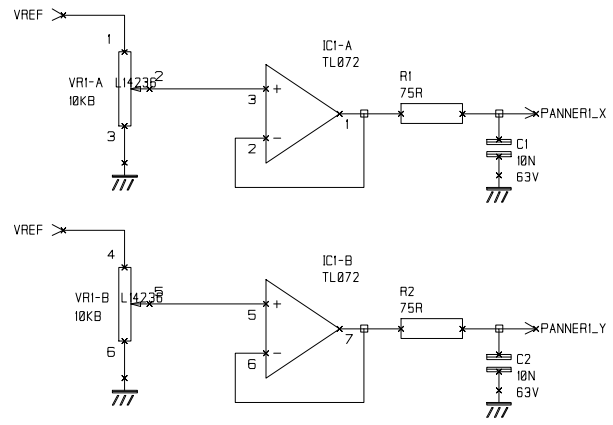
OTHERWISE, WIRE PIN 1 OF 4-PIN HEADER
TO J13 PIN 2 ON MAIN PCB, SO THAT
STUDIO MUTE / MONITOR DIM WORK WHEN
LINE 2 IS SELECTED. DO NOT JUMP J13.

DRN. CB/VCR

TITLE B800
MONO INPUT DUAL
LINE SUB BOARD

DRG NO. ED 3571

INITIAL	ISSUE	DATE
ASR	01	10/4/96

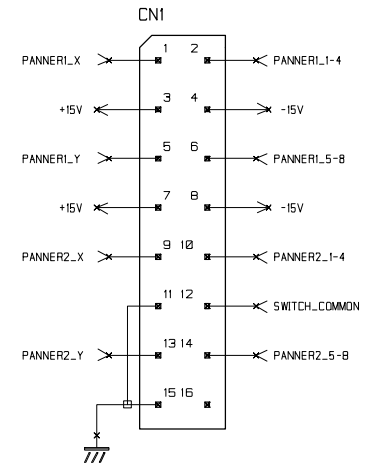
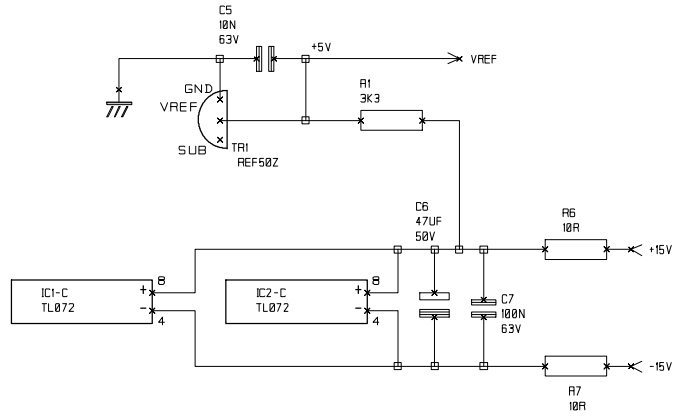
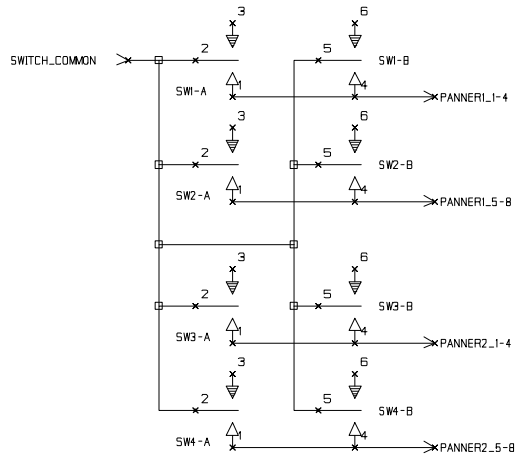
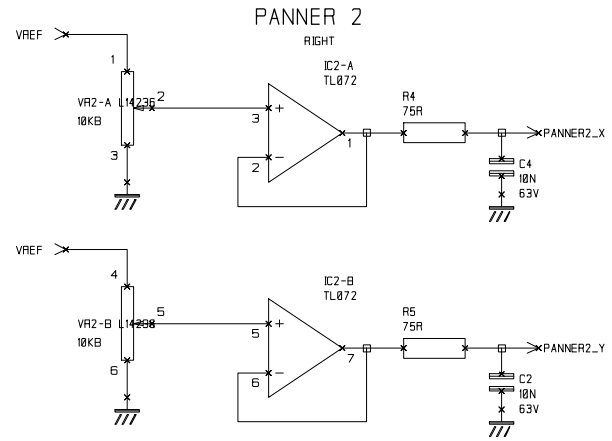
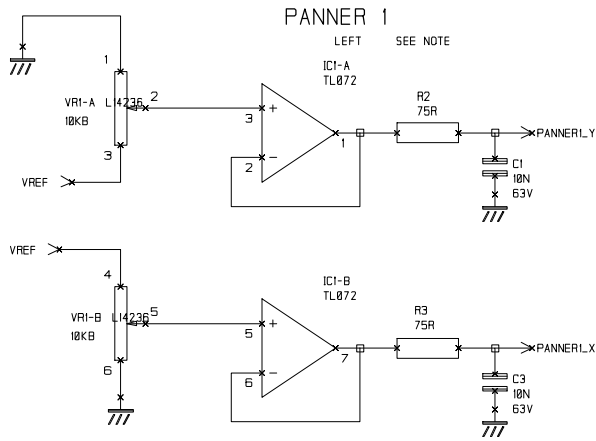


NOTES

DRN. ASR

TITLE
 B800 MAGTRAX
 PANNER PCB
 DRG NO. ED 3735
 SHT 1 OF 1

INITIAL	ISSUE	DATE
AH	01	20/06/96

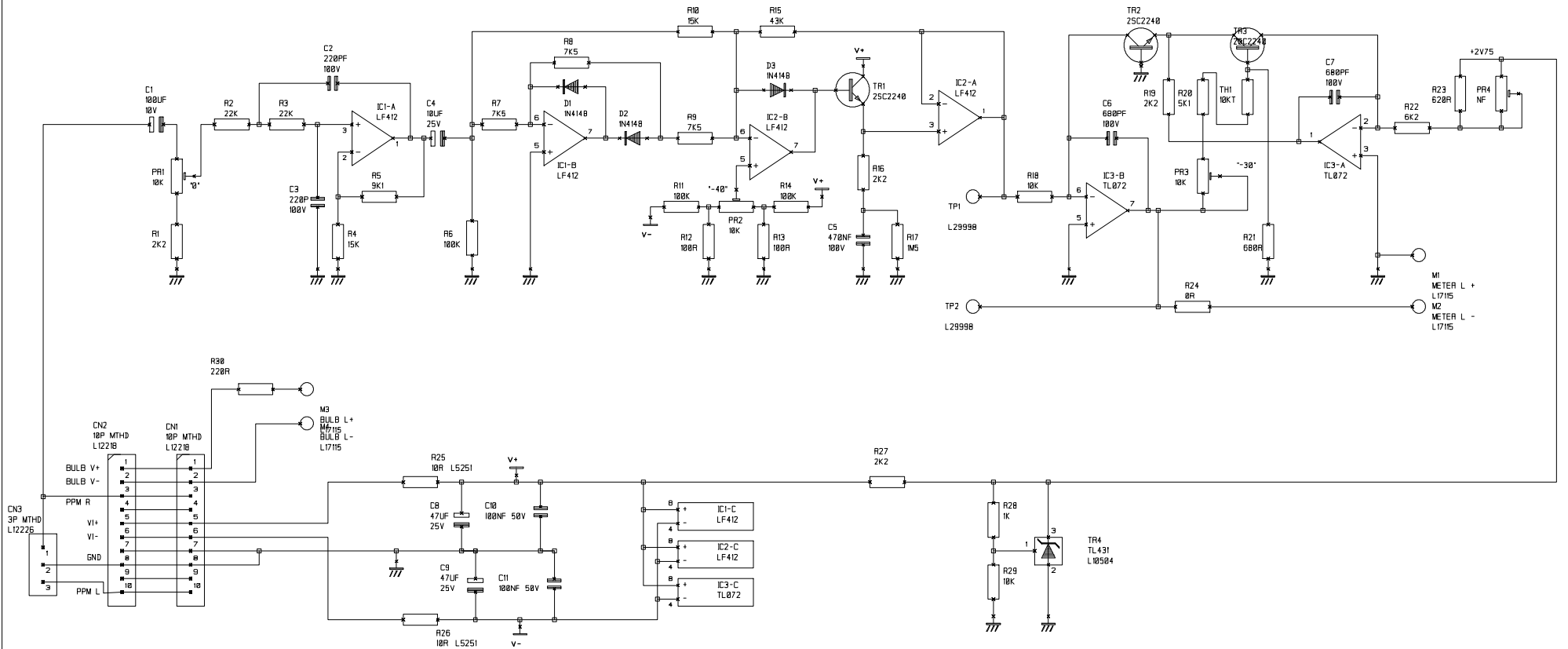


NOTES
NB: MODIFIED FROM SC3593 - PANNER 1 ROTATED THROUGH 90 DEGREES CLOCKWISE

DRN. AH

TITLE
B800 MAGTRAX
JOYSTICK PANNER

DRG NO. ED3766

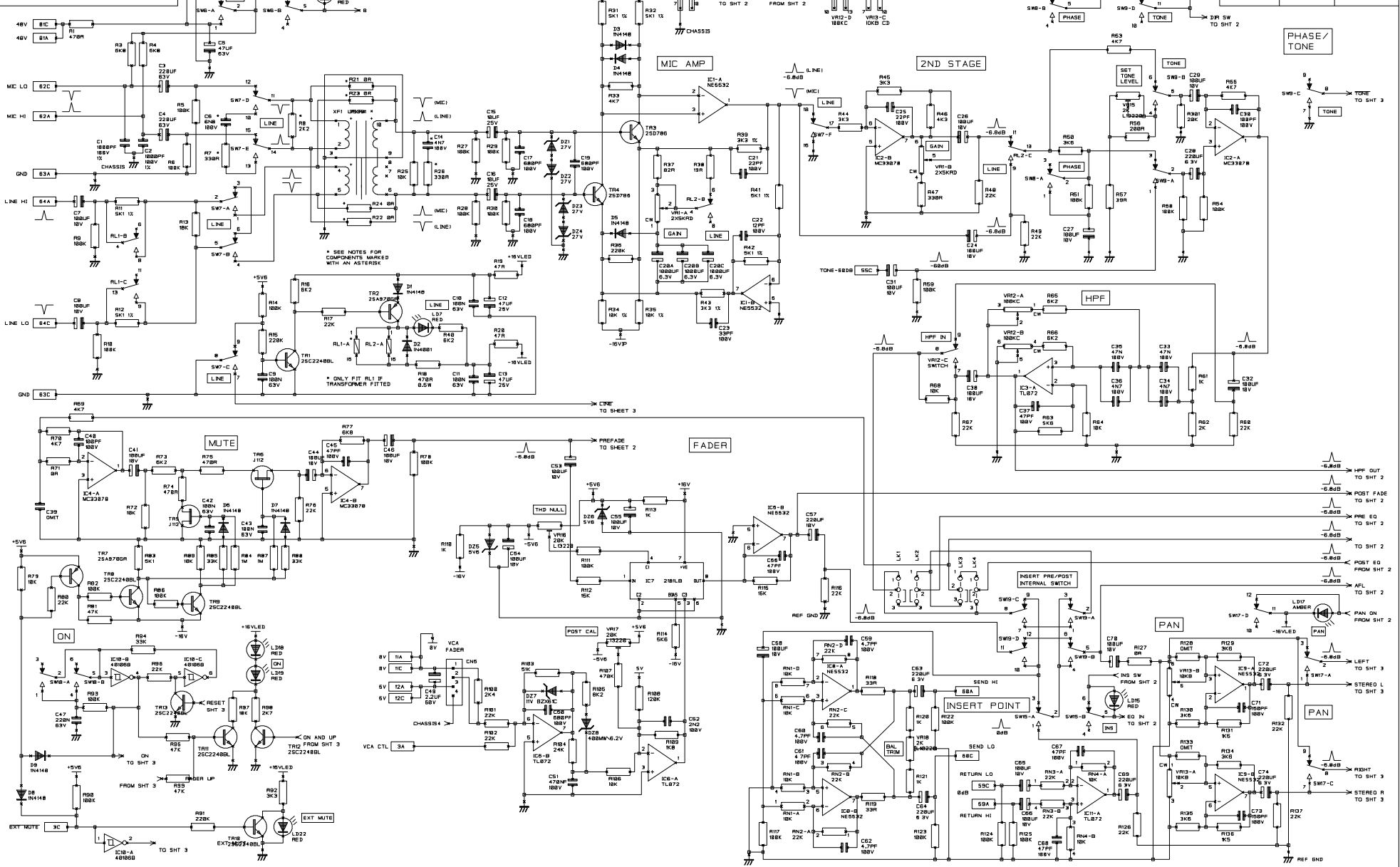


NOTES

NOTES

DRN.	CB	TITLE	B800 SINGLE PPM METER DRIVE
		DRG NO.	ED 3798

INITIAL	ISSUE	DATE
RNJS	3.05	02-05-00



NOTES
 ELECTRONIC BAL 1/P
 OMIT XF1, RL1, R7, R26, C6, C14

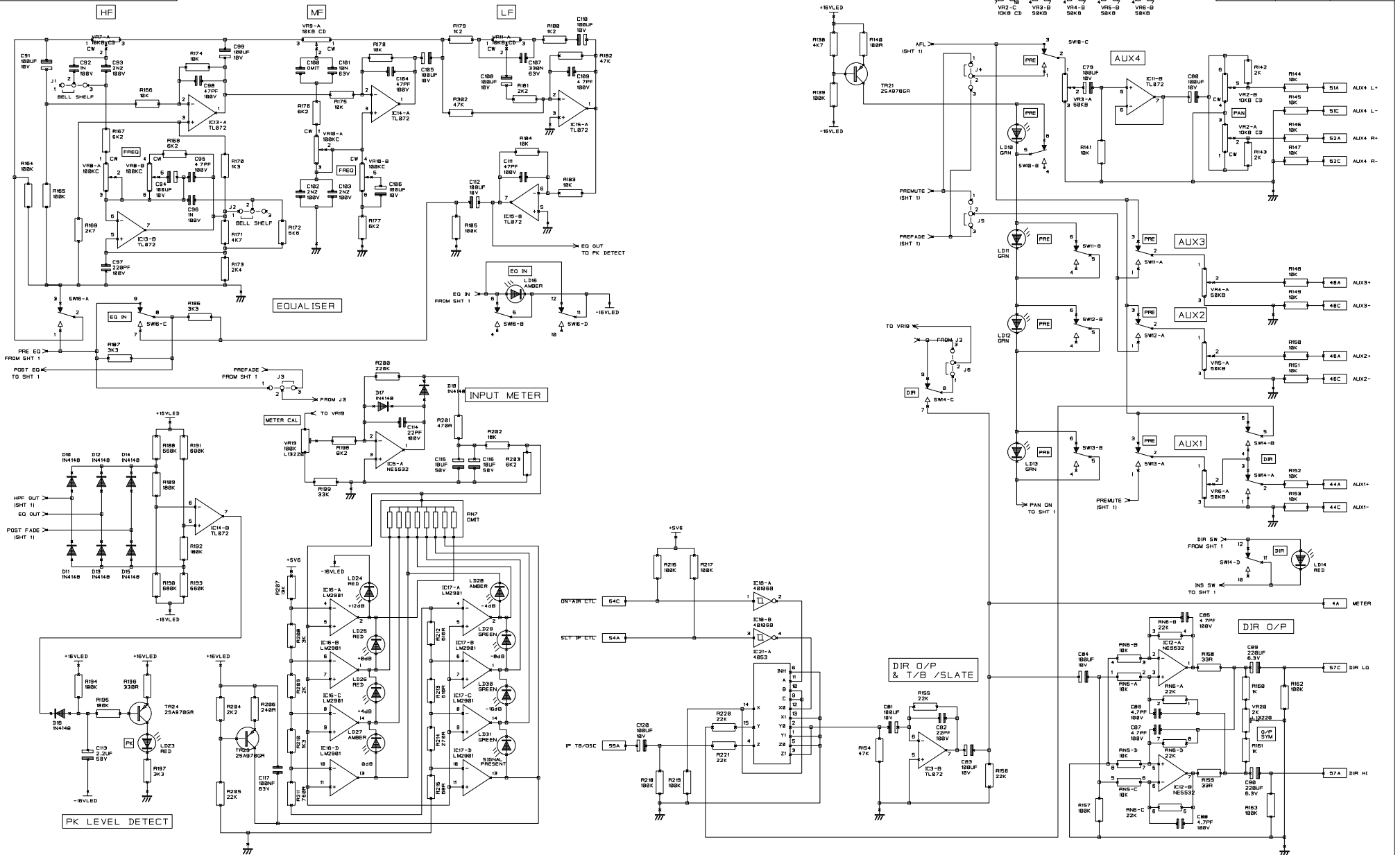
TRANSFORMER OPTION
 FIT C6=6N8, R7=330R,
 C14=4N7, R26=330R,
 RL1, XF1
 OMIT R21-R24
 CHANGE R8 (2K2) TO 5K1
 CHANGE R18 (470R) TO 100R 0.5W

LINKS
 LK1,2,3,4 INSERT PRE FADE
 JUMP 1-2 - PRE EQ
 JUMP 2-3 = POST EQ (DEFAULT)

DRN. CB/PRH

TITLE B400
 MONO INPUT MODULE
 DRG NO. ED 3818A
 SHT 1 OF 3

INITIAL	ISSUE	DATE
RNJS	3-05	02-05-00



NOTES

J3 - INPUT METER SOURCE
LNK 1-2 FOR PRE-EQ FEED
LNK 2-3 FOR PREFADE FEED (DEFAULT)

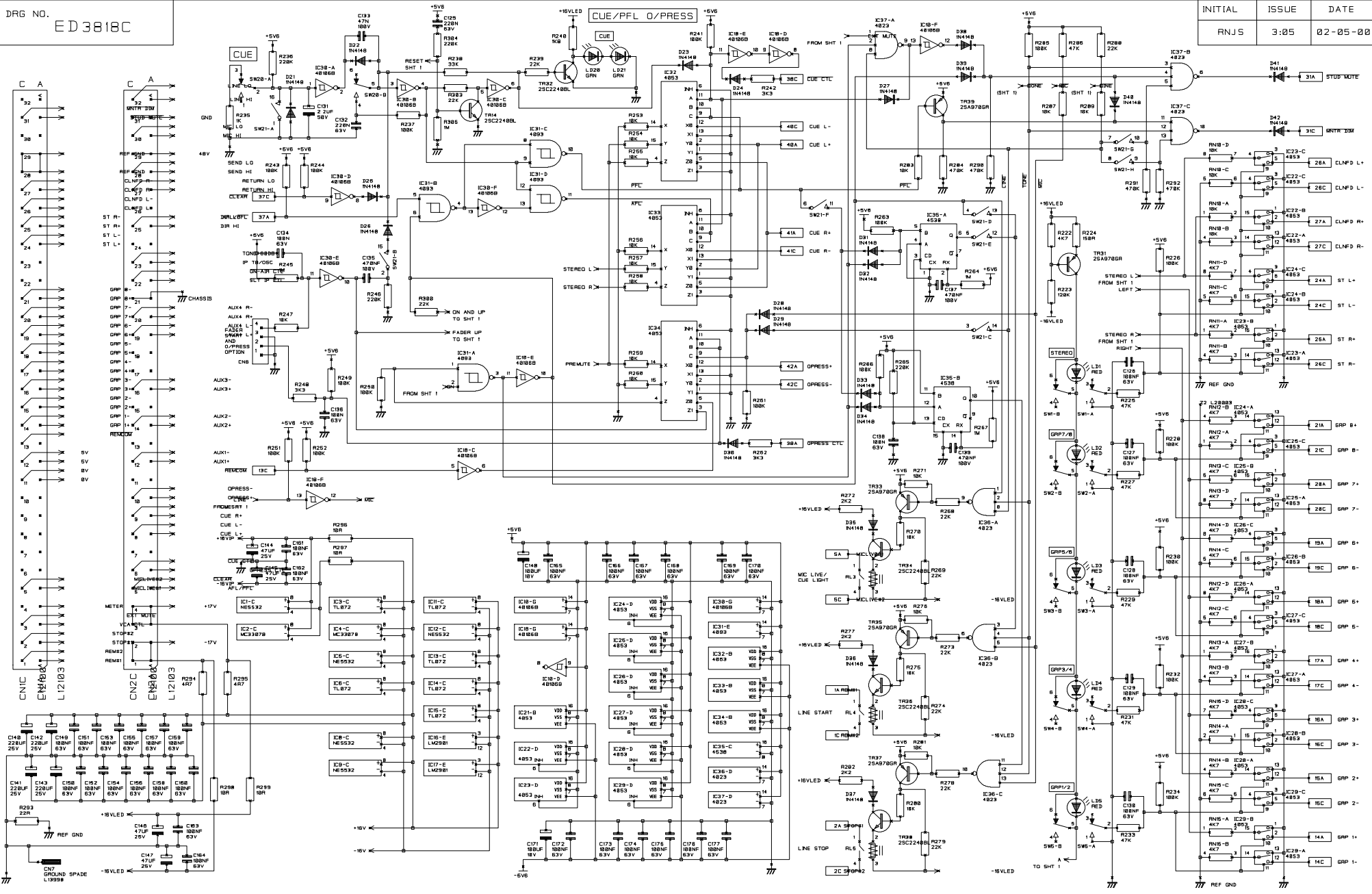
J4 - STEREO AUX PRE SOURCE
LNK 1-2 FOR AUX 4 PRE - PREMUTE (DEFAULT)
LNK 2-3 FOR AUX 4 PRE - PREFADE

J5 - MONO AUX PRE SOURCE
LNK 1-2 FOR MONO AUX PRE - PREMUTE
LNK 2-3 FOR MONO AUX PRE - PREFADE (DEFAULT)

J6 - INPUT METER DIR MODE
LNK 1-2 FOR INPUT METER FOLLOWS DIR (DEFAULT)
LNK 2-3 FOR INPUT METER FOLLOWS J3 SELECTION

DRN. CB/PRH

TITLE B400
MONO INPUT MODULE



NOTES

5W21 8-WAY DBL SWITCH

5W21-A CLOSURE DISABLES THE DUAL ACTION OF 5W20

5W21-B CLOSURE ENABLES CUE CANCEL FROM FADER OPEN

5W21-C OPEN ENABLES REM CDM IN MIC MODE

5W21-D CLOSURE ENABLES LATCHING START IN LINE MODE

5W21-E CLOSURE ENABLES MOMENTARY START IN LINE MODE

5W21-F CLOSURE ENABLES START/STOP FUNCTION FROM PFL

5W21-G CLOSURE FOR MIC LIVE STUDIO MUTE

5W21-H CLOSURE FOR MIC LIVE CONTROL ROOM MUTE

DEFAULTS

OPEN

CLOSED

CLOSED

OPEN

CLOSED

CLOSED

OPEN

CLOSED

CLOSED

DRN. CB/PRH

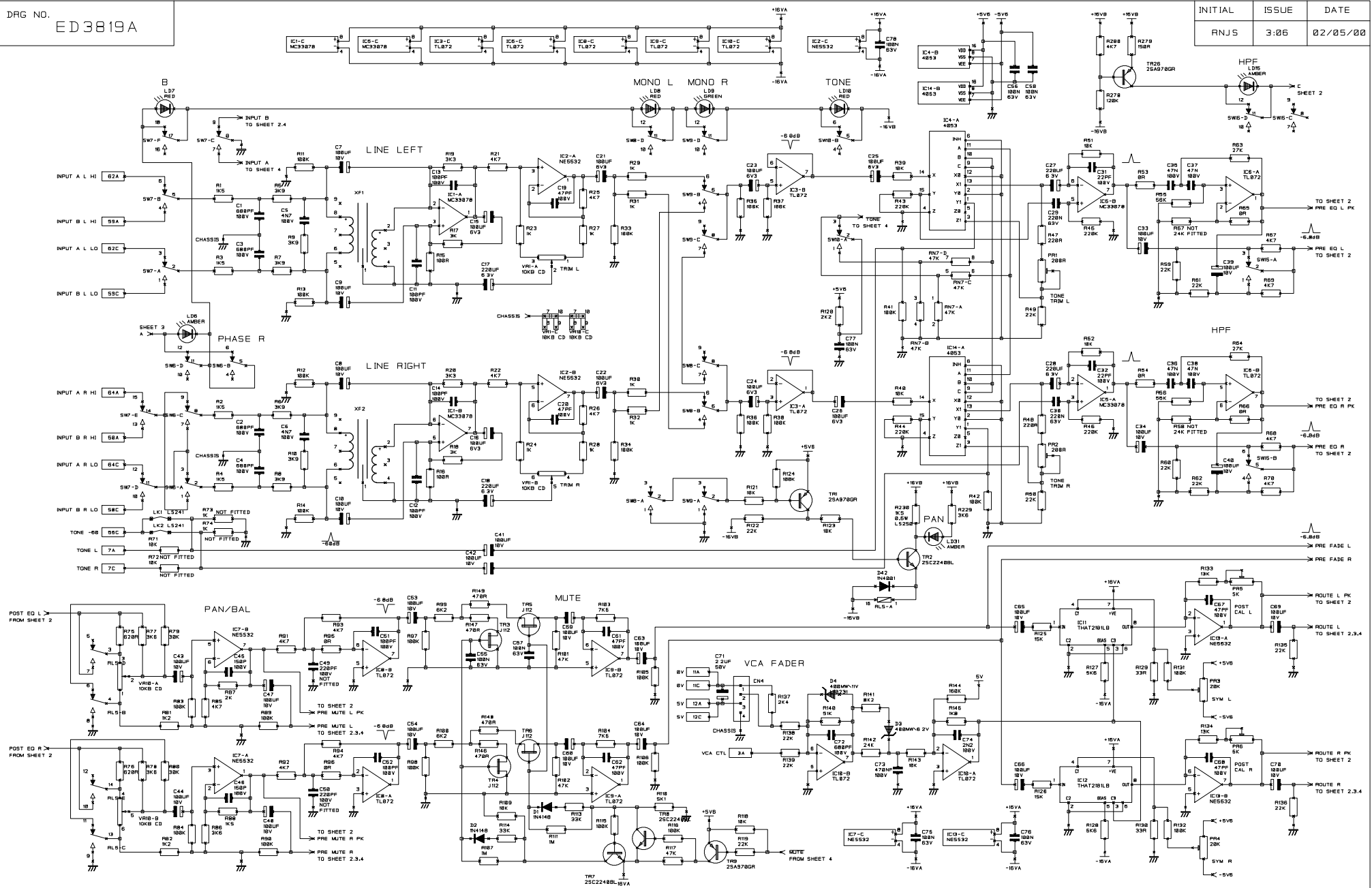
TITLE B400

MONO INPUT MODULE

DRG NO. ED 3818C

SHT 3 OF 3

INITIAL	ISSUE	DATE
RNJS	3:06	02/05/00



NOTES

COMPONENTS USED
 R1 - R149, R220, R230, R278 - R280
 C1 - C78
 IC1 - IC4
 TR1 - TR5, TR20
 LD6 - LD8, LD16, LD31
 SW6 - SW8, SW15
 PR1 - PR6
 D1 - D4, D42
 LK1 - LK2

VER1: VR10
 VER2: JF2
 VER3: R15
 VER4: R16
 VER5: R17
 VER6: R18
 VER7: R19
 VER8: R20
 VER9: R21
 VER10: R22
 VER11: R23
 VER12: R24
 VER13: R25
 VER14: R26
 VER15: R27
 VER16: R28
 VER17: R29
 VER18: R30
 VER19: R31
 VER20: R32
 VER21: R33
 VER22: R34
 VER23: R35
 VER24: R36
 VER25: R37
 VER26: R38
 VER27: R39
 VER28: R40
 VER29: R41
 VER30: R42
 VER31: R43
 VER32: R44
 VER33: R45
 VER34: R46
 VER35: R47
 VER36: R48
 VER37: R49
 VER38: R50
 VER39: R51
 VER40: R52
 VER41: R53
 VER42: R54
 VER43: R55
 VER44: R56
 VER45: R57
 VER46: R58
 VER47: R59
 VER48: R60
 VER49: R61
 VER50: R62
 VER51: R63
 VER52: R64
 VER53: R65
 VER54: R66
 VER55: R67
 VER56: R68
 VER57: R69
 VER58: R70
 VER59: R71
 VER60: R72
 VER61: R73
 VER62: R74
 VER63: R75
 VER64: R76
 VER65: R77
 VER66: R78
 VER67: R79
 VER68: R80
 VER69: R81
 VER70: R82
 VER71: R83
 VER72: R84
 VER73: R85
 VER74: R86
 VER75: R87
 VER76: R88
 VER77: R89
 VER78: R90
 VER79: R91
 VER80: R92
 VER81: R93
 VER82: R94
 VER83: R95
 VER84: R96
 VER85: R97
 VER86: R98
 VER87: R99
 VER88: R100
 VER89: R101
 VER90: R102
 VER91: R103
 VER92: R104
 VER93: R105
 VER94: R106
 VER95: R107
 VER96: R108
 VER97: R109
 VER98: R110
 VER99: R111
 VER100: R112

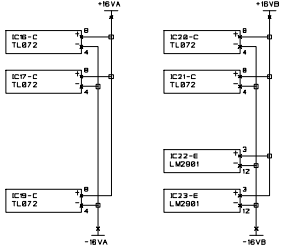
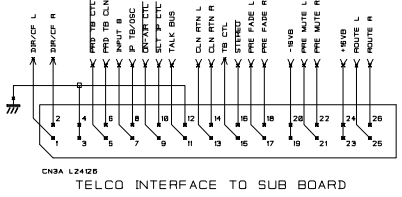
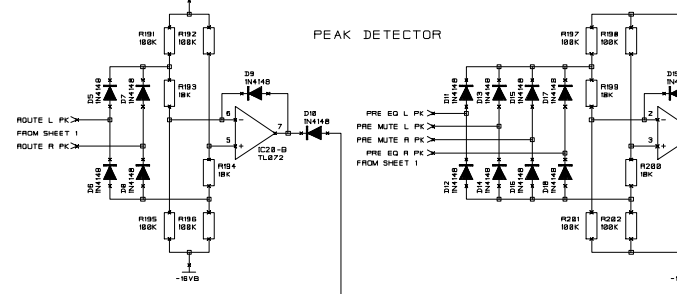
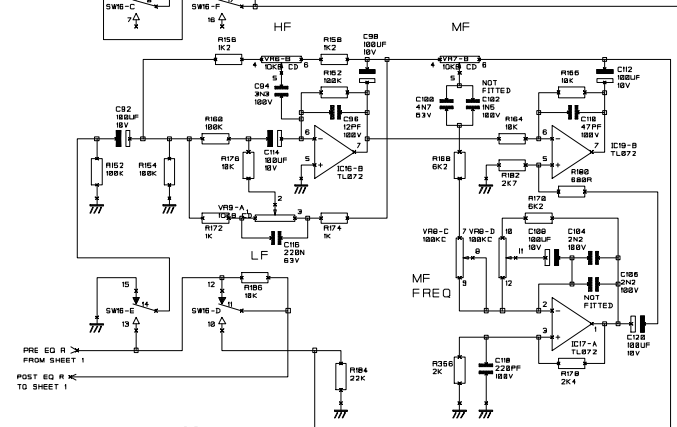
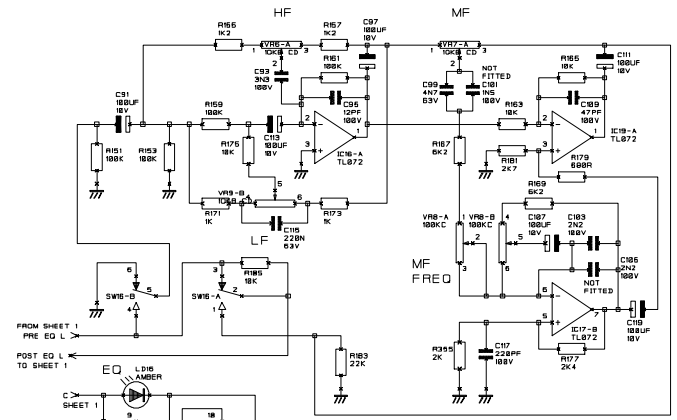
VERSION WITH TRANSFORMER
 OMIT XF1, XF2, R7, R8, C5, C6
 OMIT C7 TO C8
 COMPONENT VALUES ARE AS PRINTED

VERSION WITHOUT TRANSFORMER
 OMIT XF1, XF2, R7, R8, C5, C6, C8
 OMIT C7 TO C8
 R5, R6, R9 AND R20 BECOME 2K7

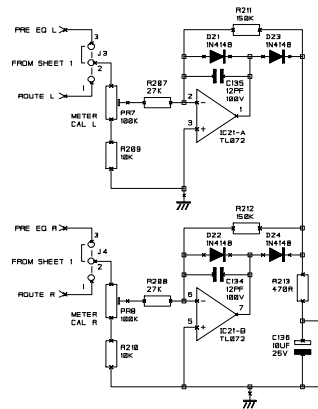
DRN.
 CJH

TITLE
 B400 STEREO/TELCO
 INPUT MODULE

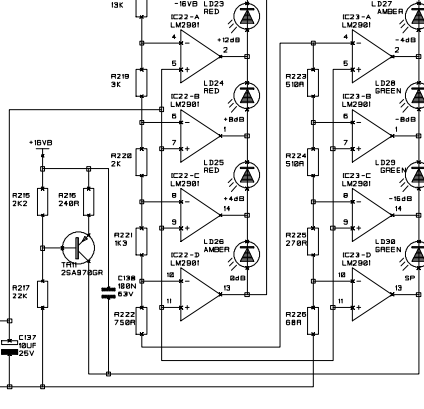
INITIAL	ISSUE	DATE
RNJS	3:06	02/05/00



METER RECTIFIER



INPUT METER

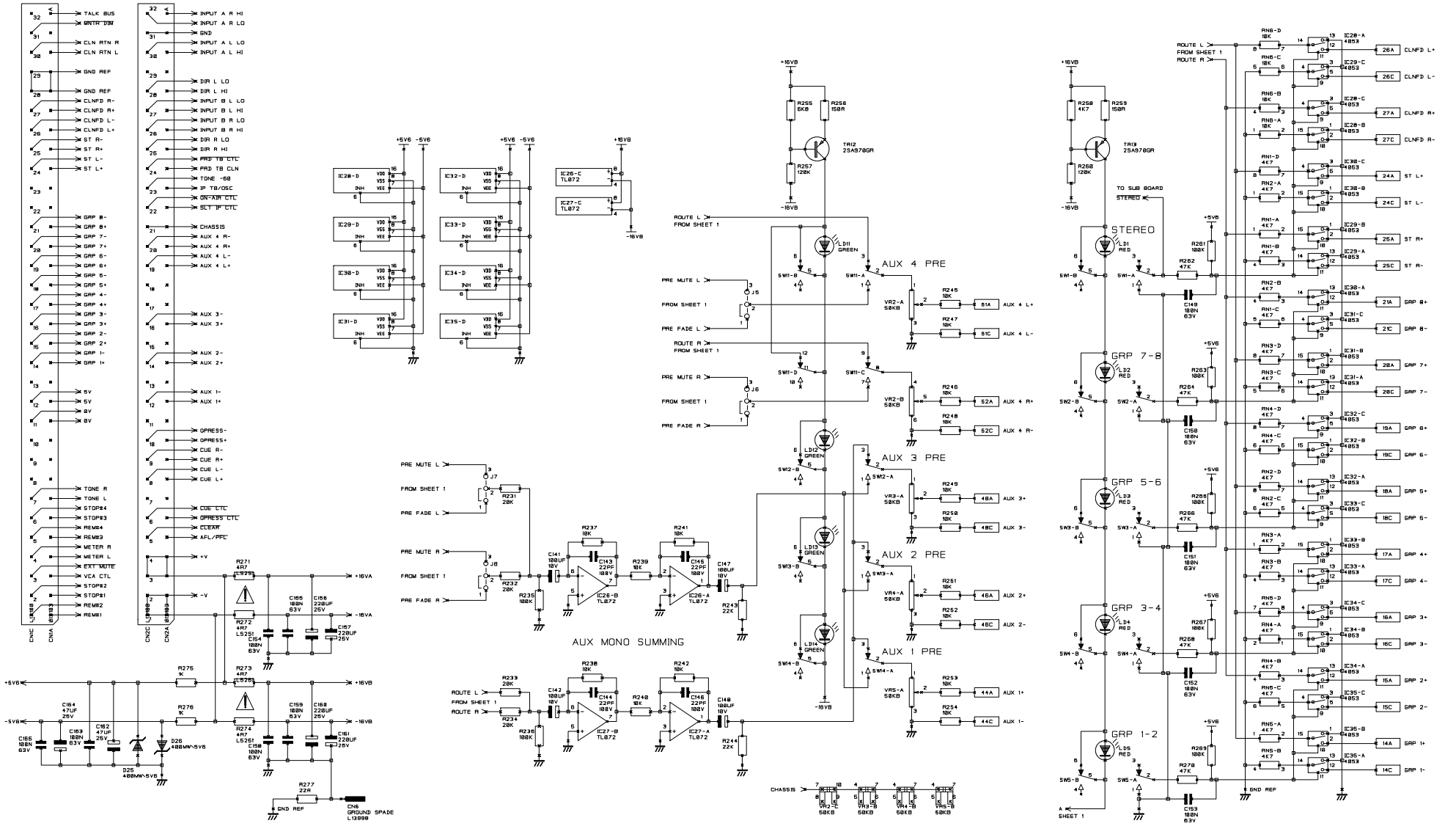


NOTES
 COMPONENTS USED
 R161 - R228, R366, R366
 C31 - C38, C35 - C108
 D5 - D24
 IC16, IC17, IC19 - IC29
 L30, L32 - L38
 J1 - J4
 PREF - PRE
 TR18 - TR1
 CN1, CN2 NOT FITTED
 REMOVE JUMPERS ON J1, J2 WHEN SUB-BOARD IS FITTED.

DRN. CJH

TITLE
 B400 STEREO/TELCO
 INPUT MODULE
 DRG NO. ED3819B

INITIAL	ISSUE	DATE
RNJS	3:06	02/05/00

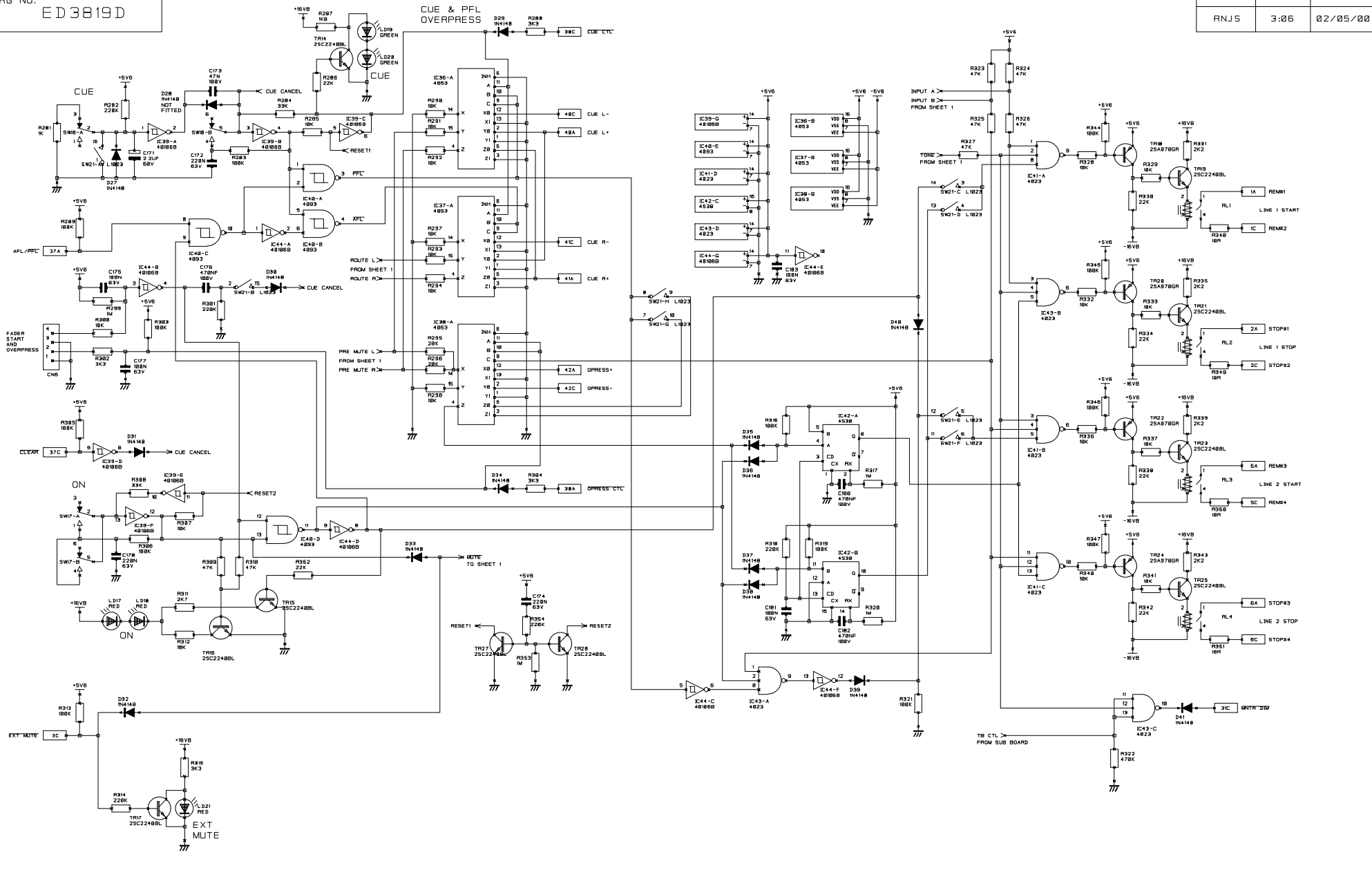


NOTES
 COMPONENTS USED
 R231 - R277
 C141 - C155
 IC26 - IC35
 LD1 - LD5, LD11 - LD14
 SW1 - SW5, SW11 - SW4
 RN1 - RN6
 JB - JB
 CN1 - CN2
 D26 - D28

DRN.
 CJH

TITLE
 B400 STEREO/TELCO
 INPUT MODULE
 DRG NO.
 ED3819C

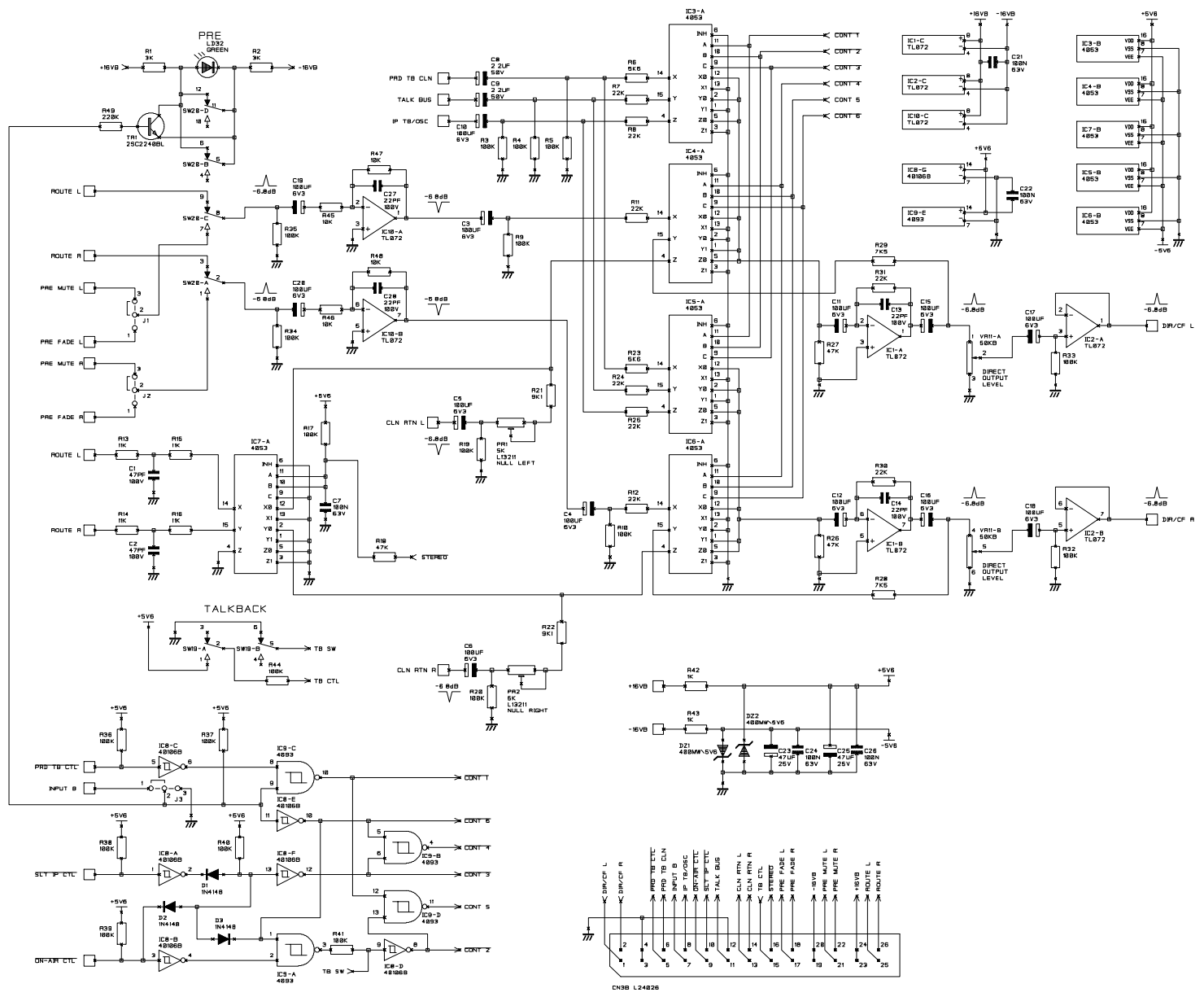
INITIAL	ISSUE	DATE
RNJS	3:06	02/05/00



NOTES

- COMPONENTS USED
R281 - R355
C171 - C178, C180 - C183
D27 - D41
TR18 - TR25, TR27, TR28
IC36 - IC44
LD17 - LD21
RL1 - RL4
SW17 - SW19, SW21
CNS
- SW21 IS AN 8 WAY DIL SWITCH
- SW21-A CLOSURE DISABLES THE DUAL ACTION OF SW
SW21-B CLOSURE ENABLES CUE CANCEL FROM FADER OPEN
SW21-C CLOSURE ENABLES LATCHING START LINE 1
SW21-D CLOSURE ENABLES MOMENTARY START IN LINE 1
SW21-E CLOSURE ENABLES LATCHING START IN LINE 2 FROM FADER/ON AND PFL
SW21-F CLOSURE ENABLES MOMENTARY START IN LINE 2
SW21-G CLOSURE ENABLES LINE 2 MOMENTARY START/STOP FROM PFL
SW21-H CLOSURE ENABLES LINE 2 MOMENTARY START/STOP FROM PFL
- DEFAULTS
OPEN
CLOSED } BOTH CAN NOT BE CLOSED OR OPEN
OPEN
CLOSED } BOTH CAN NOT BE CLOSED OR OPEN
OPEN
CLOSED } ONLY ACTIVE WHEN SW2-D IS CLOSED
CLOSED
CLOSED } ONLY ACTIVE WHEN SW2-F IS CLOSED

INITIAL	ISSUE	DATE
CJH	3	14/08/97



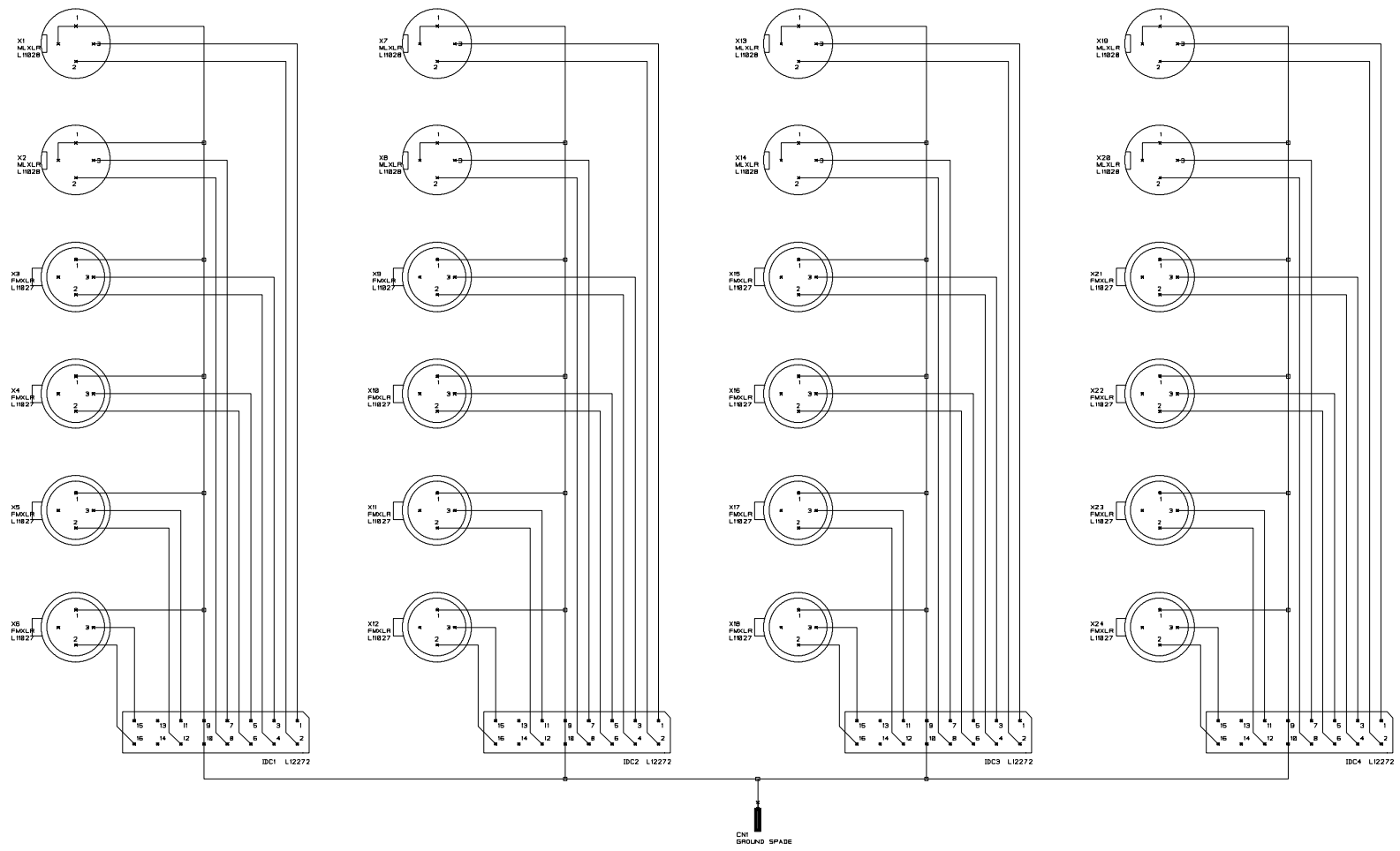
NOTES
 COMPONENTS USED
 R1 - R49
 C1 - C28
 IC1 - IC8
 D1 - D3
 D21 - D22
 J1 - J2
 PR1 - PR2
 SWB - SWB
 CN30
 L932
 VRI1

J3 PINS 1 & 2 ENABLES CLEANFEED TO DIRECT OUTPUT ON INPUT B
 J3 PINS 2 & 3 DISABLES CLEANFEED TO DIRECT OUTPUT
 REMOVE R44 TO DISABLE MONITOR DIM ON TALKBACK

DRN.
 CJH

TITLE
 B400 STEREO/TELCO
 INPUT SUB BOARD

DRG NO.
 ED3820



NOTES

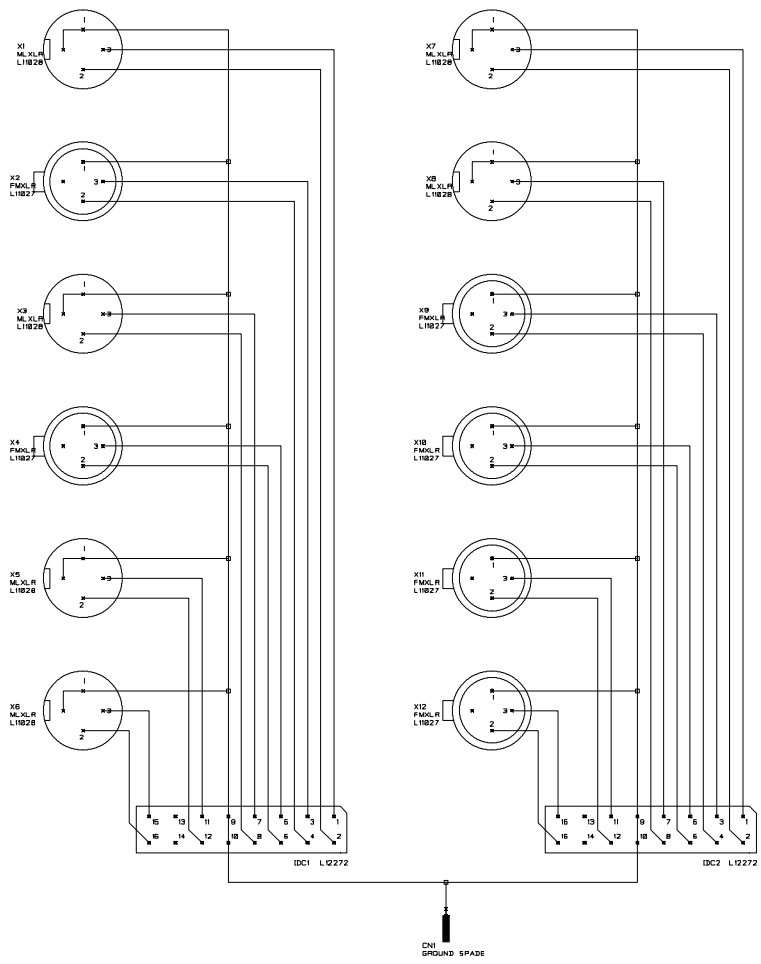
DRN.

TITLE
B400 4 WAY I/P-GROUP
REAR CONNECTOR PANEL

DRG NO. ED3821

DRG NO. ED3822

INITIAL	ISSUE	DATE
PRH	1	05/12/96



NOTES

DRN.

TITLE
B400 MASTER PLUS
REAR CONNECTOR PANEL

DRG NO. ED3822

EDAC 90 WAY FEMALE WIRING DETAILS

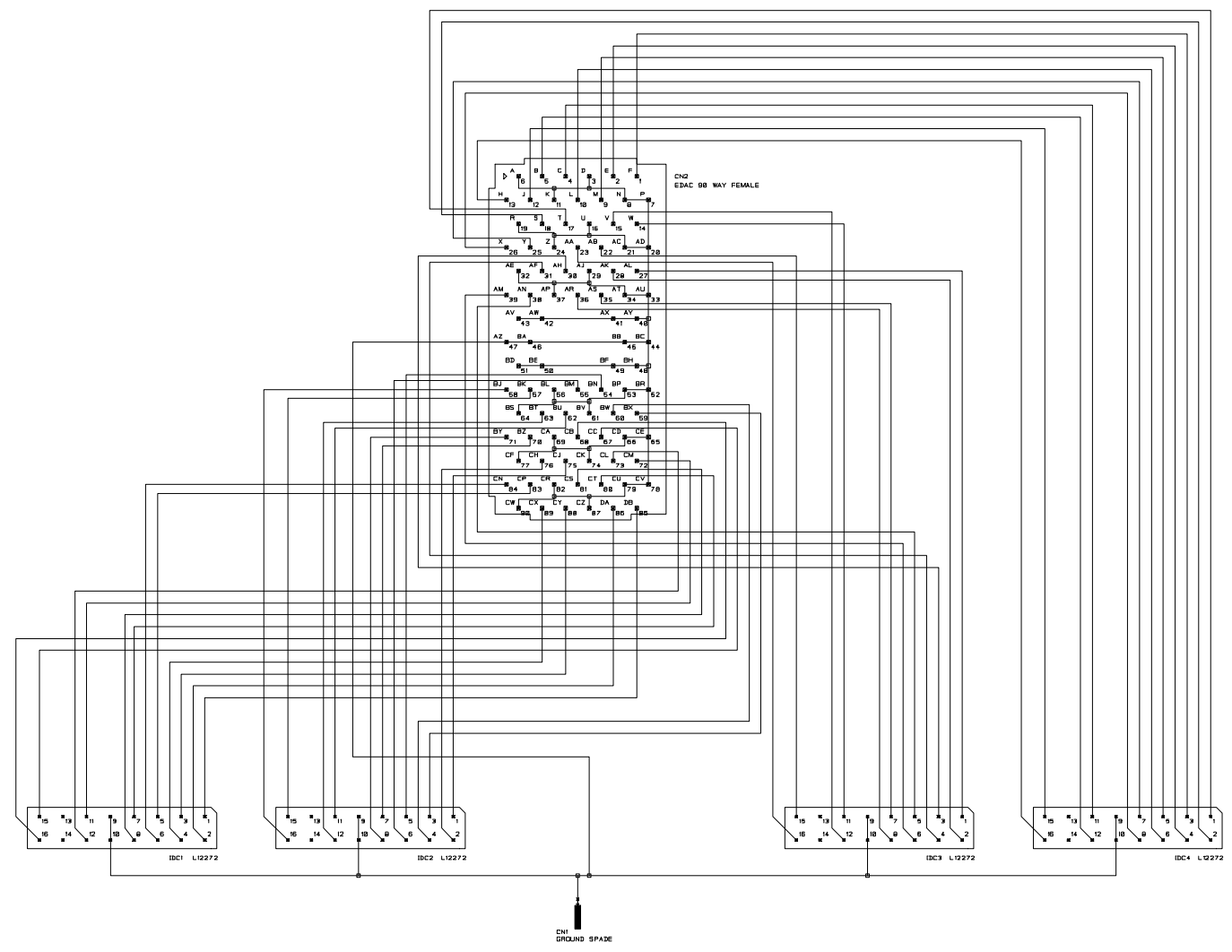
PANEL VIEWED FROM REAR OF CONSOLE
MODULES FROM RIGHT TO LEFT

MODULE 1	HOT	COLD	SCREEN
INPUT A LEFT	H	J	A
INPUT A RIGHT	B	C	K
INPUT B LEFT	L	M	D
INPUT B RIGHT	E	F	N
DIRECT OUT LEFT	X	Y	R
DIRECT OUT RIGHT	S	T	Z

MODULE 2	HOT	COLD	SCREEN
INPUT A LEFT	AA	AB	U
INPUT A RIGHT	V	W	AC
INPUT B LEFT	AM	AN	AE
INPUT B RIGHT	AF	AH	AP
DIRECT OUT LEFT	AR	AS	AJ
DIRECT OUT RIGHT	AK	AL	AT

MODULE 3	HOT	COLD	SCREEN
INPUT A LEFT	BJ	BK	BS
INPUT A RIGHT	BT	BU	BL
INPUT B LEFT	BM	BN	BV
INPUT B RIGHT	BW	BX	BP
DIRECT OUT LEFT	BY	BZ	CF
DIRECT OUT RIGHT	CH	CJ	CA

MODULE 4	HOT	COLD	SCREEN
INPUT A LEFT	CB	CC	CK
INPUT A RIGHT	CL	CM	CD
INPUT B LEFT	CN	CP	CW
INPUT B RIGHT	CX	CY	CR
DIRECT OUT LEFT	CS	CT	CZ
DIRECT OUT RIGHT	DA	DB	CU

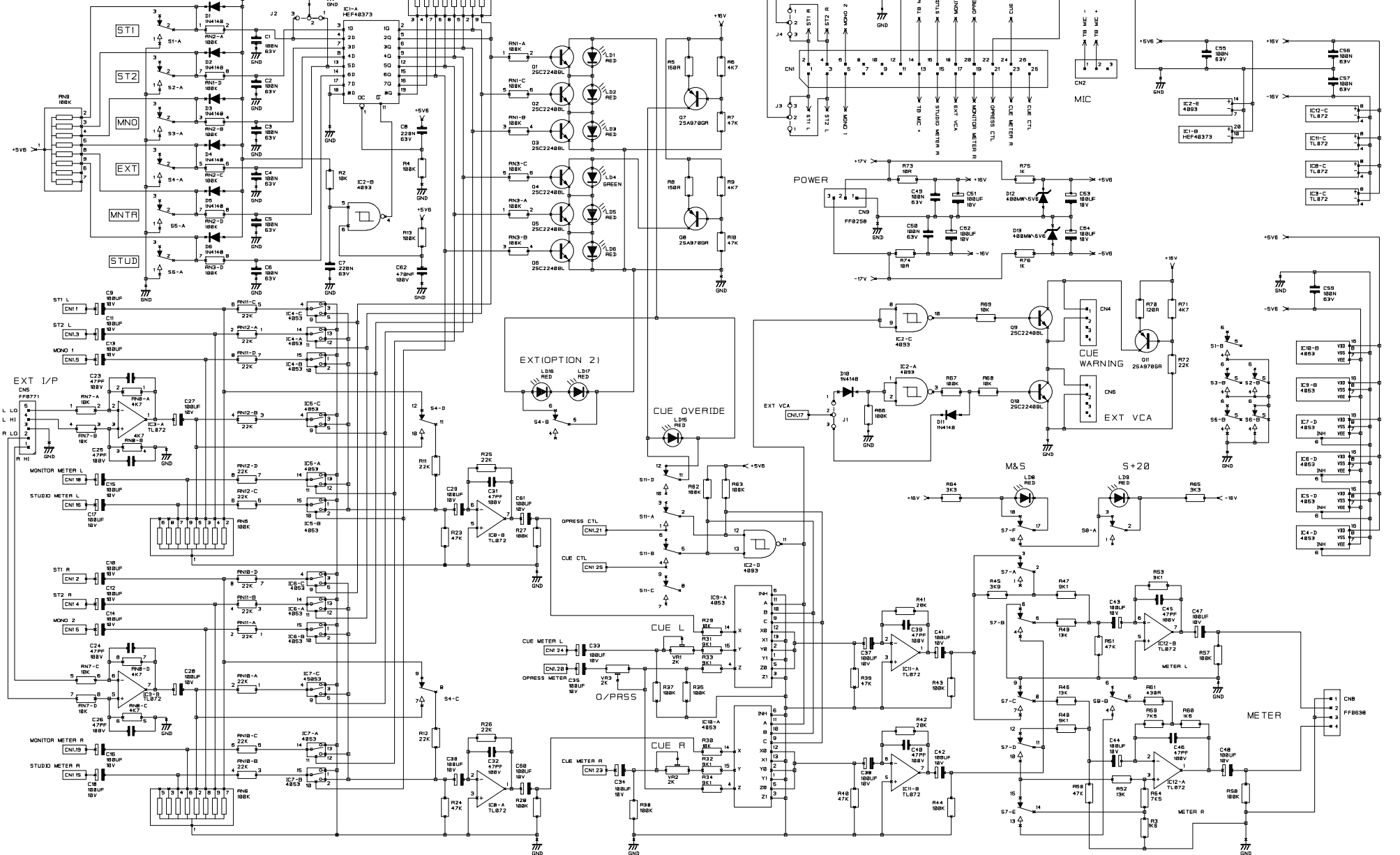


NOTES
COMPONENTS USED
IDC1 - IDC4
CNI - CN2

DRN.
CJH

TITLE
B400 4 WAY I/P EDAC
REAR CONNECTOR PANEL

DRG NO
ED3885



NOTES

COMPONENTS USED
 R1 - R70 S1 - S11
 C1 - C81
 D1 - D10
 LD1 - LD7
 Q1 - Q1
 RN1 - RN12
 CN1 - CN6
 P1 - P8
 IC1 - IC12

VERSION 1
 S4 IS TWO POLE MOMENTARY DF8528
 LD18, LD19 NOT FITTED
 RN1, RN2 NOT FITTED

VERSION 2
 S4 IS FOUR POLE LATCHING DF8538
 LD1 - LD18 NOT FITTED
 O1 - O8 NOT FITTED
 RN1 - RN4 NOT FITTED
 RN5 - RN12 NOT FITTED
 D1 - D8 NOT FITTED
 C1 - C8 NOT FITTED
 IC1 AND IC4 - IC7 NOT FITTED

J1 - FIT 1-2 - ACTIVE HIGH
 2-3 - ACTIVE LOW
 EXT VCA CONTROL INPUT

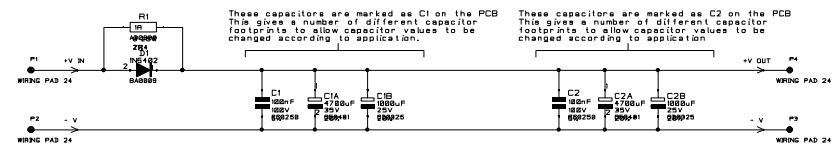
J2 - FIT 1-2 - MONITOR *
 2-3 - ST1
 METER SOURCE ON START UP

J3, J4 - FIT 1-2 - 0488
 FIT 1-3 - 0808
 SECONDARY METERS SOURCE

DRN. CJH/CB

TITLE
 B800/B400
 PH.2 METER
 METER SELECT

DRG NO. ED3888



SOUNDCRAFT OWNS THE COPYRIGHT OF THIS DRAWING WHICH IS NOT TO BE COPIED, IN PART OR IN WHOLE TO A THIRD PARTY WITHOUT WRITTEN PERMISSION.

NOTES

DRN.
RAS
10-11-98

SOUNDCRAFT
HARMAN INT. INDUSTRIES LTD.
CRANBORNE HOUSE,
CRANBORNE ROAD,
POTTERS BAR,
HERTS ENG 3JN
TEL: 01707 665000
FAX: 01707 660482

TITLE
B400/800
FAN FILTER PCB
DRG NO. ED 4031