

SOUNDCRAFT OWNS THE COPYRIGHT OF THIS DRAWING WHICH IS NOT TO BE COPIED, IN PART OR IN WHOLE TO A THIRD PARTY WITHOUT WRITTEN PERMISSION.

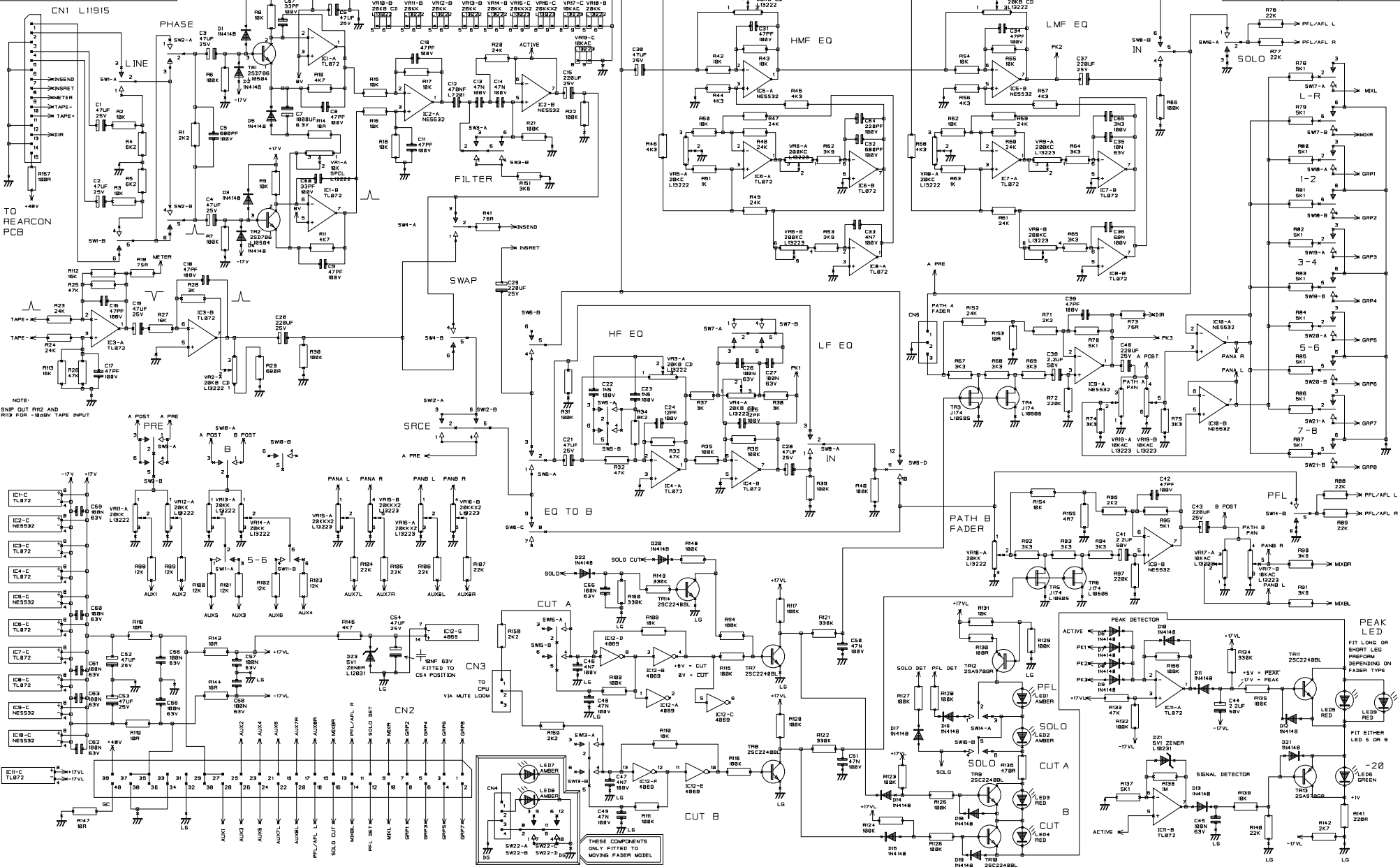
NOTES

DRN. MDG  
DATE 00-00-00

SOUNDCRAFT  
HARMAN INT. INDUSTRIES LTD.  
CRANBORNE HOUSE,  
CRANBORNE ROAD,  
POTTERS BAR,  
HERTS. ENG 3JN  
TEL: 01707 665000  
FAX: 01707 660482

TITLE  
GHOST  
INPUT REARCON  
DRG NO. ED3619

INITIAL	ISSUE	DATE
DCB	6	08/10/97



NOTE:  
SNIP OUT R12 AND R13 FOR -18V TAP INPUT

NOTES

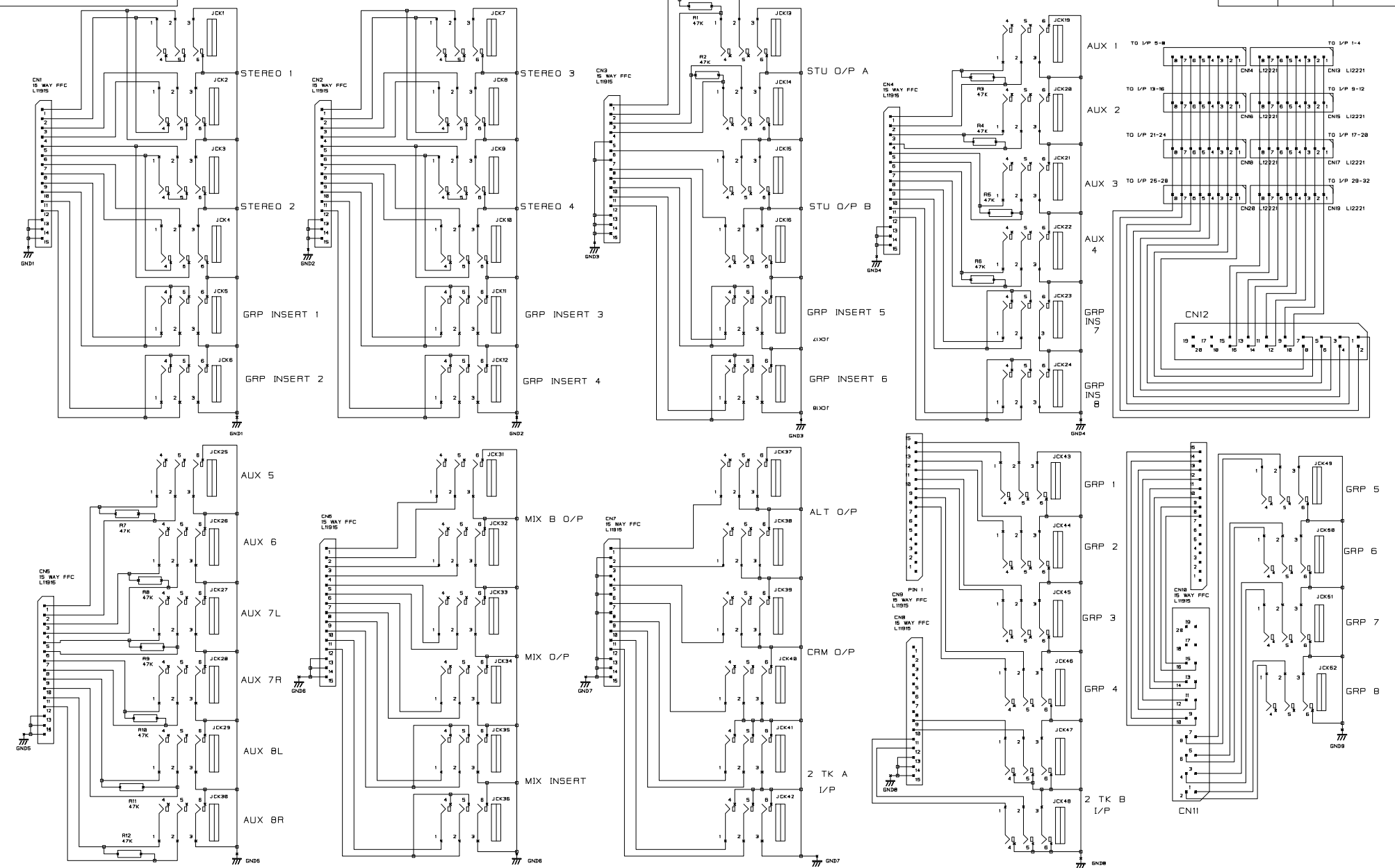
DRN. MDG

TITLE  
GHOST  
INPUT SCHEMATICS

DRG NO. ED 3620

DRG NO. ED 3621

INITIAL	ISSUE	DATE
DCB	3.01	19/03/97



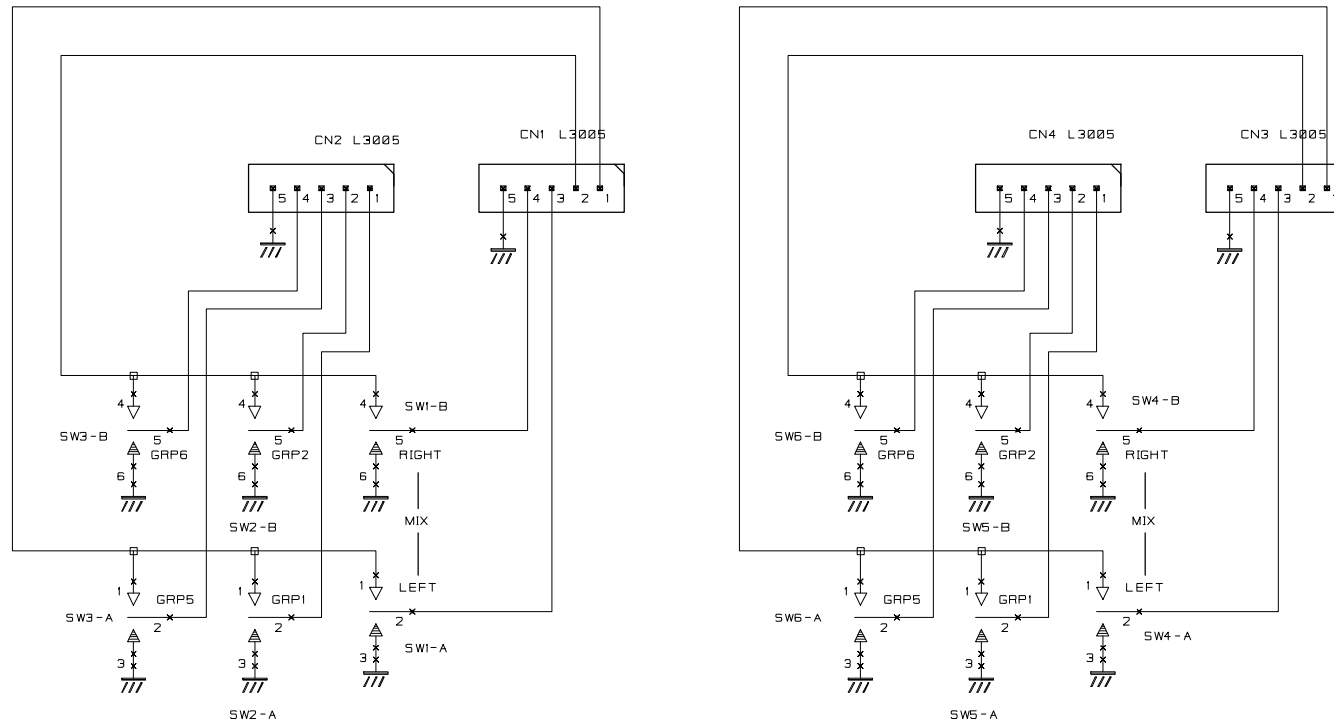
NOTES

DRN.	MDG

TITLE GHOST MASTER  
SECTION REARCON  
PCB PANEL CIRCUIT

DRG NO. ED 3621

THIS BOARD FIXES TO SC3625  
TWO PCBs PER CONSOLE



NOTES

DRN  
MDG

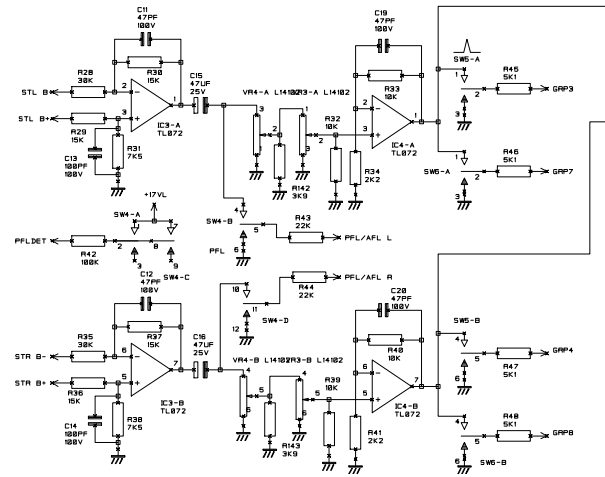
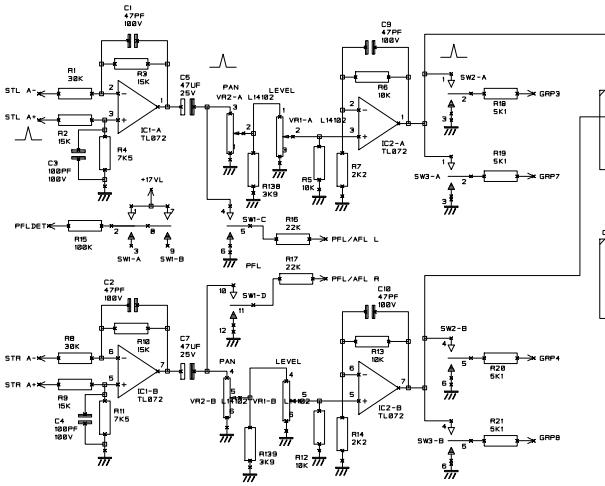
TITLE GHOST MASTER  
SUB PCB 1

DRG NO. ED 3623

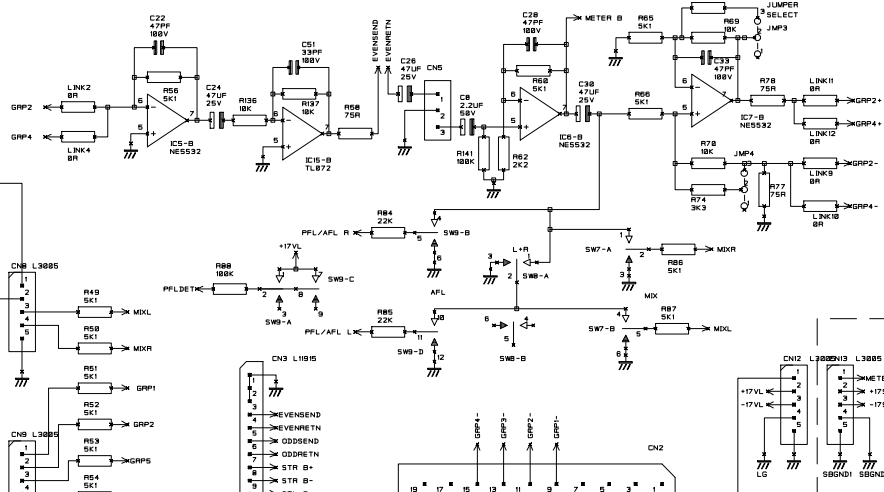
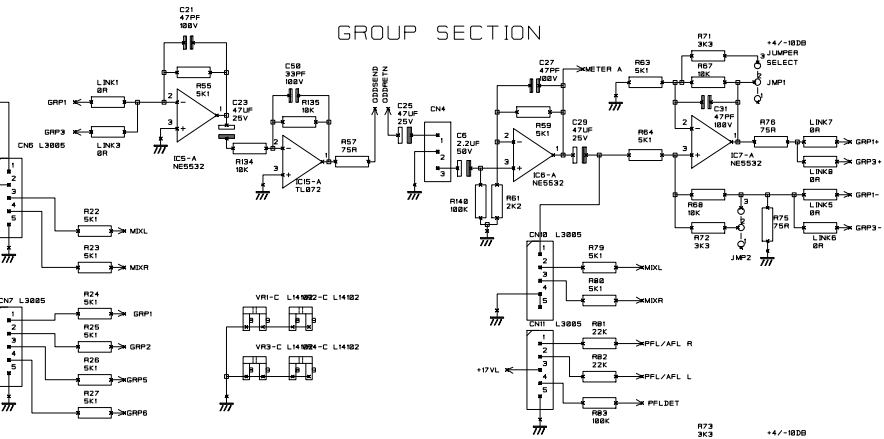
SHT. 1 OF 1

INITIAL	ISSUE	DATE
RS	4:01	9/10/97

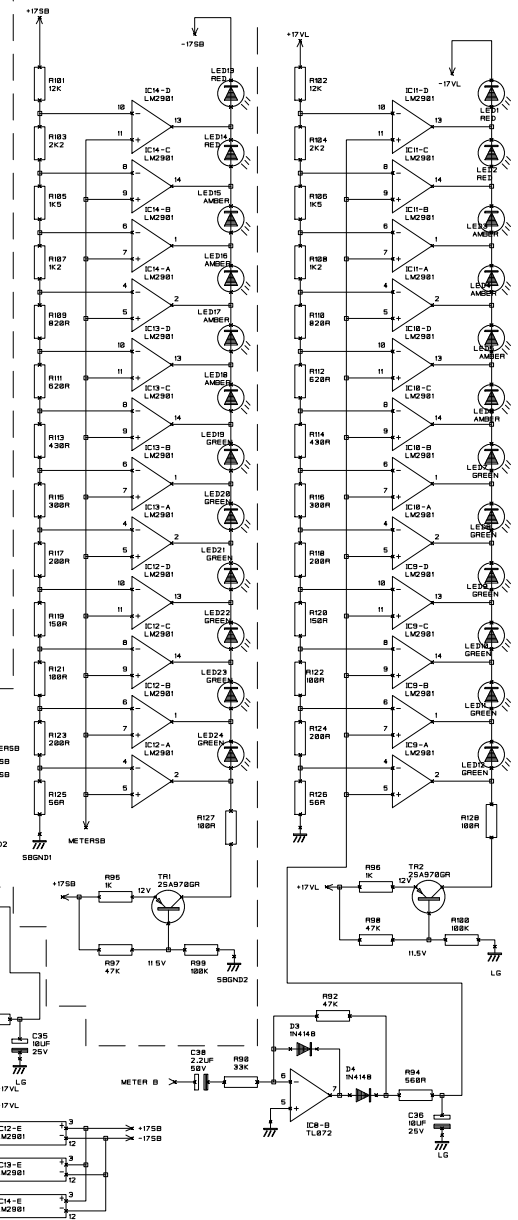
STEREO INPUTS



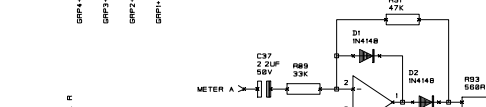
GROUP SECTION



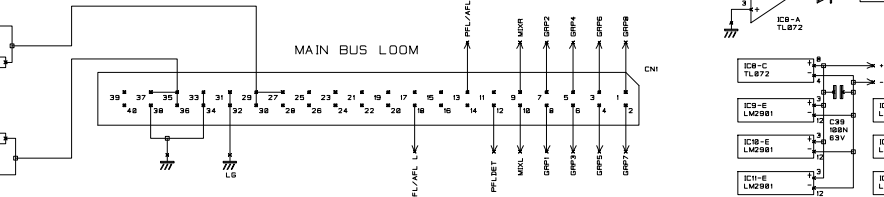
METER SUB BOARD



GROUP OUTPUT LOOM



MAIN BUS LOOM



NOTES

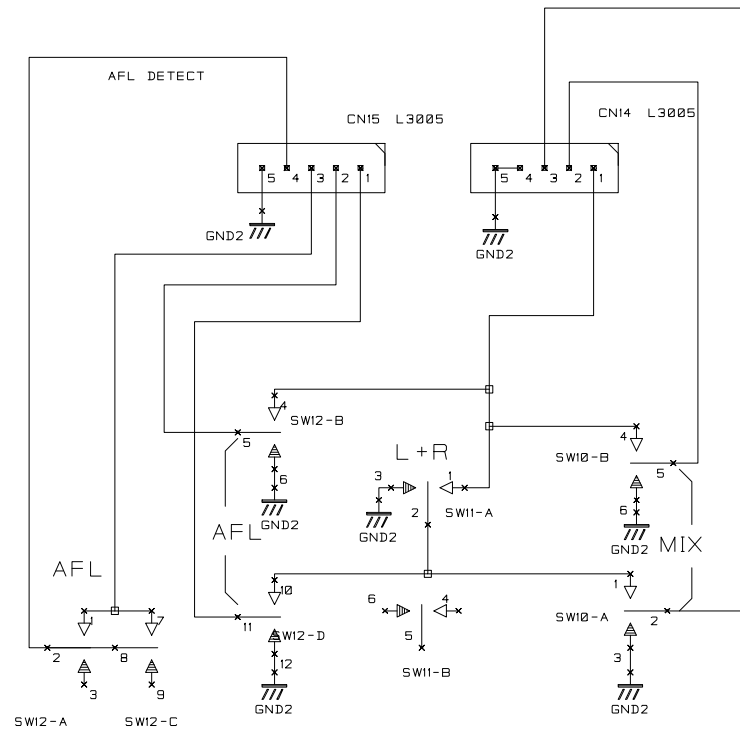
Blank area for notes.

DRN.

MDG

TITLE GHOST STEREO/GROUP CIRCUIT

DRG NO. ED 3625

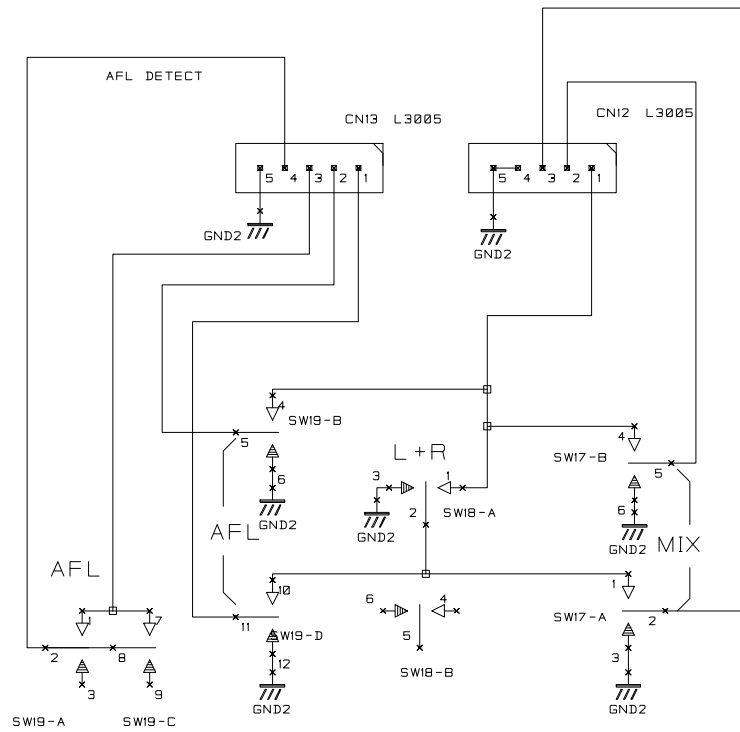


NOTES

DRN. MDG

TITLE GHOST MASTER  
SUB PCB 1  
GROUP ROUTING

DRG NO. ED 3625



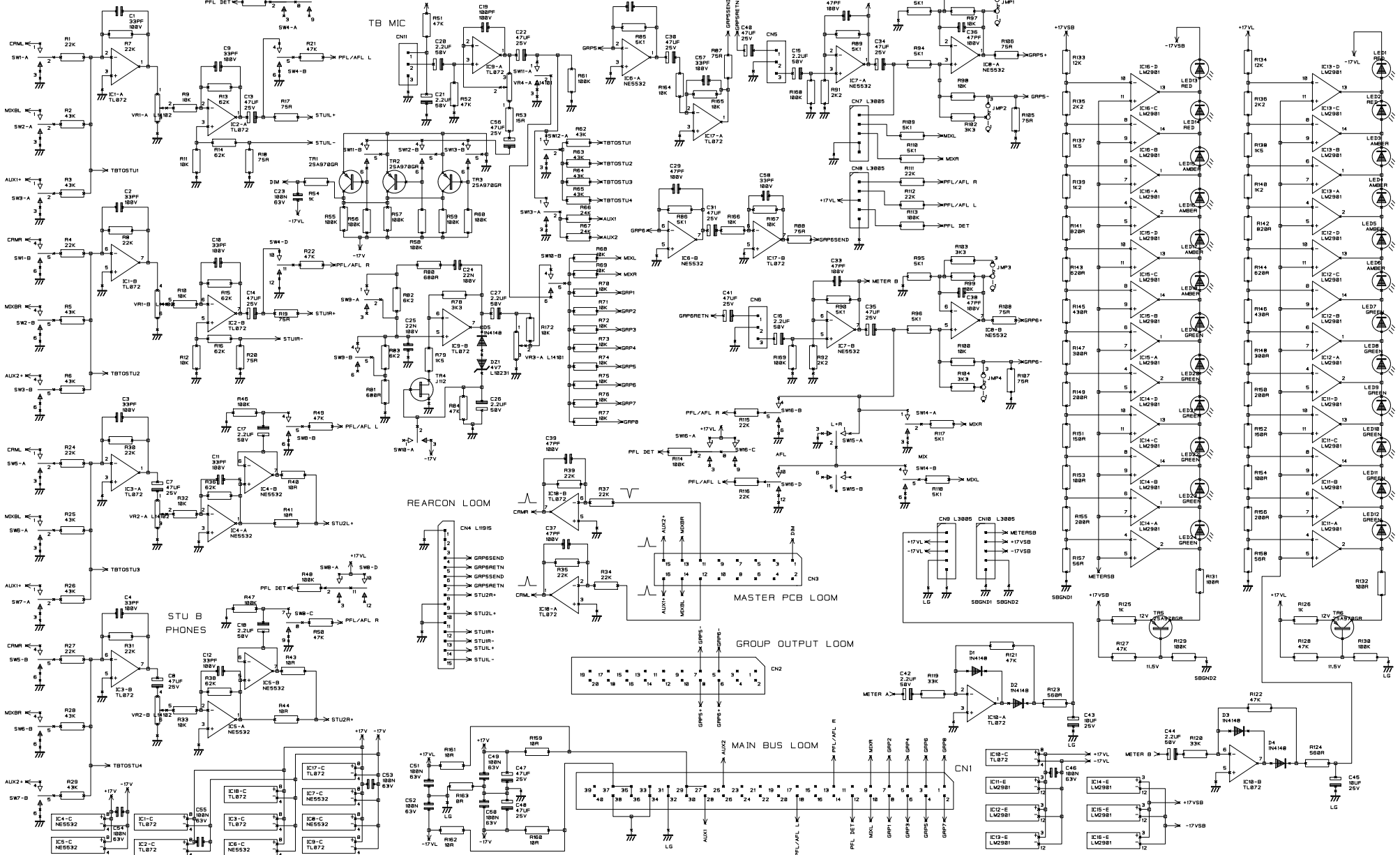
NOTES

DRN. MDG

TITLE GHOST MASTER  
SUB PCB 1  
GROUP ROUTING

DRG NO. ED 3626

INITIAL	ISSUE	DATE
MDG	4	10-9-96



NOTES

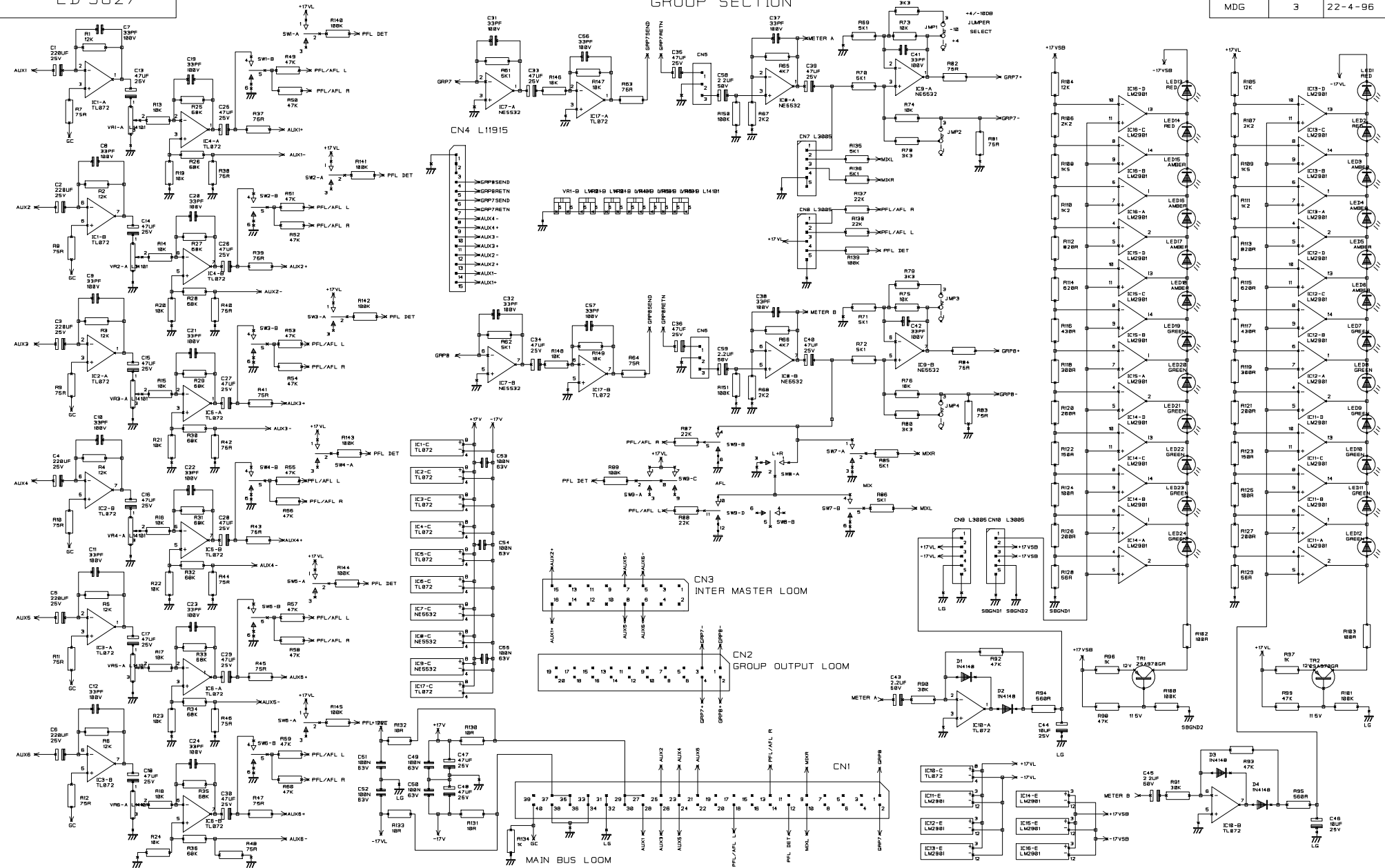
DRN. MDG

TITLE GHOST STUDIO/OSC PCB

DRG NO. ED 3626



GROUP SECTION



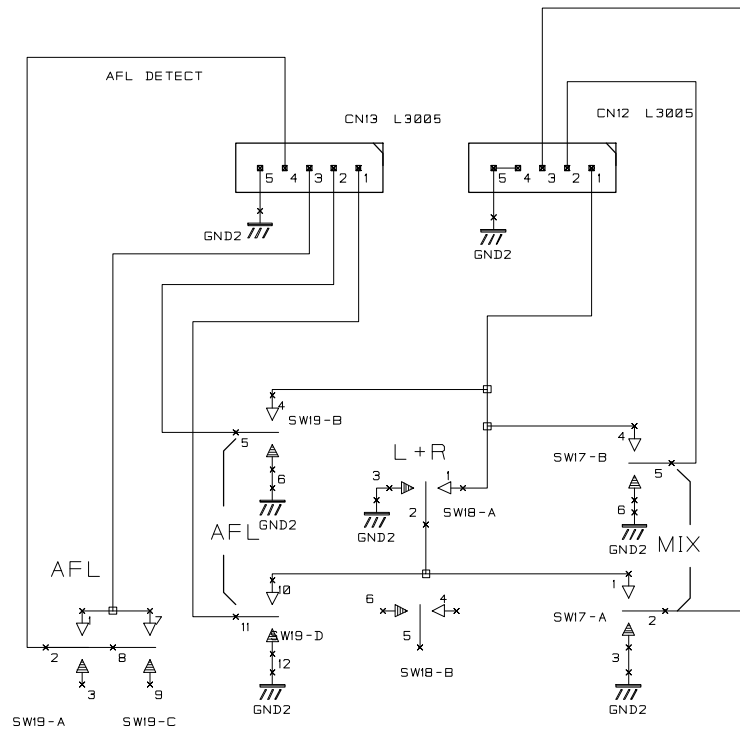
NOTES

DRN.

MDG

TITLE  
GHOST  
MAIN AUX  
CIRCUIT

DRG NO.  
ED 3627

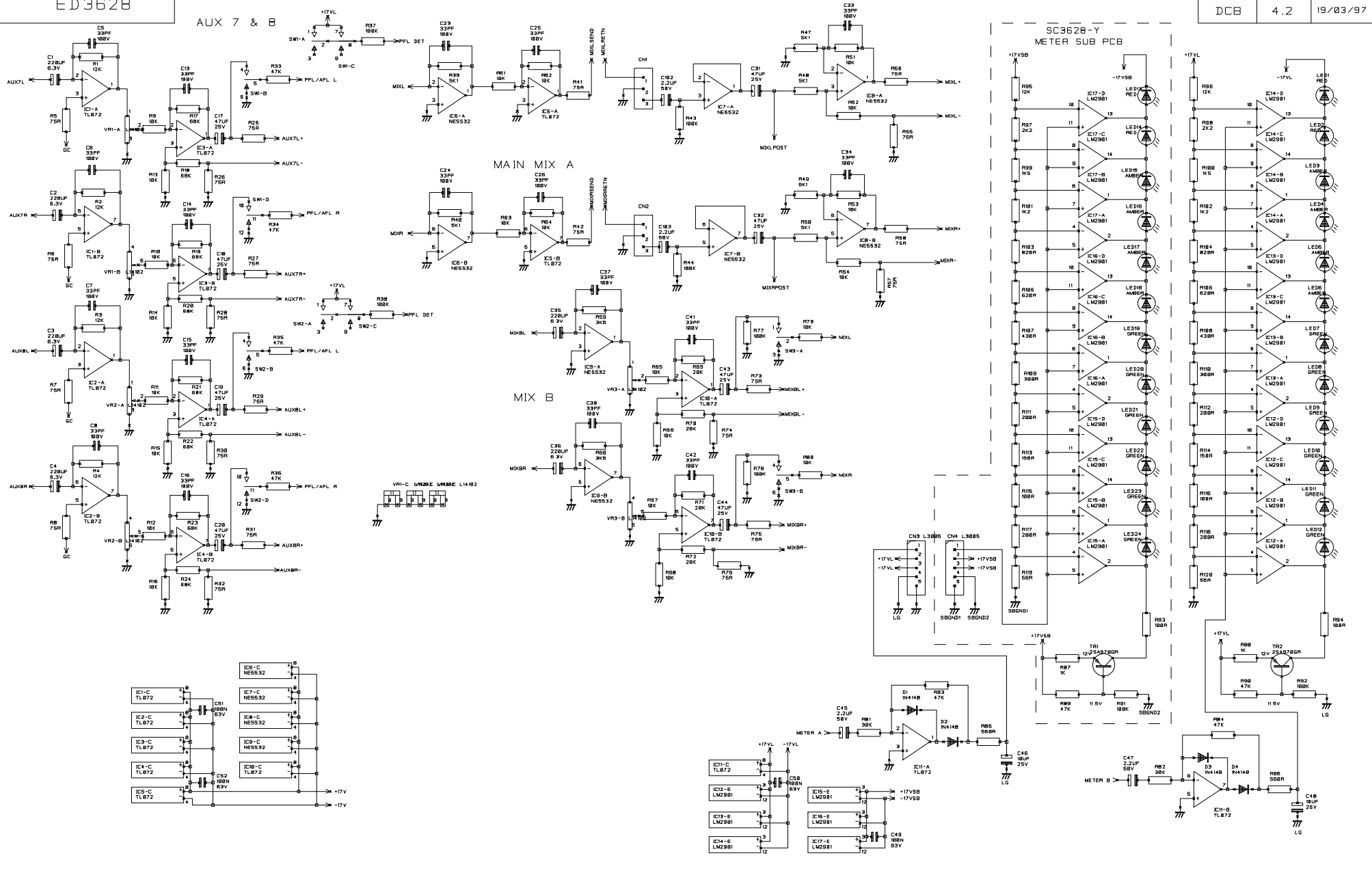


NOTES

DRN. MDG

TITLE GHOST MAIN AUX  
SUB PCB  
GROUP ROUTING

DRG NO. ED 3627



NOTES

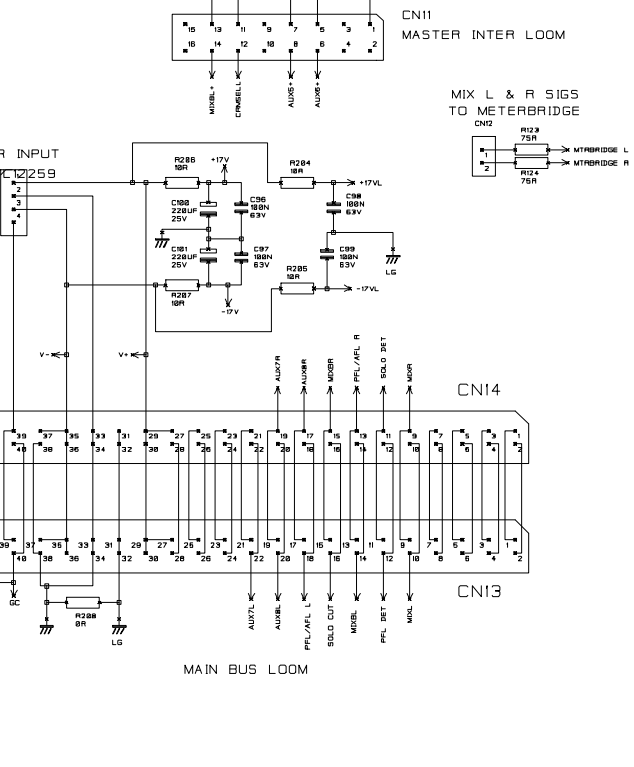
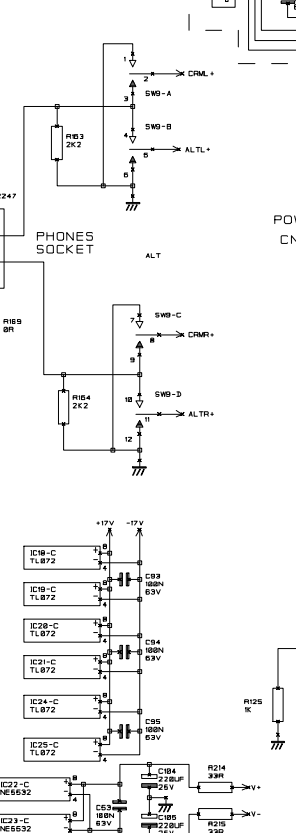
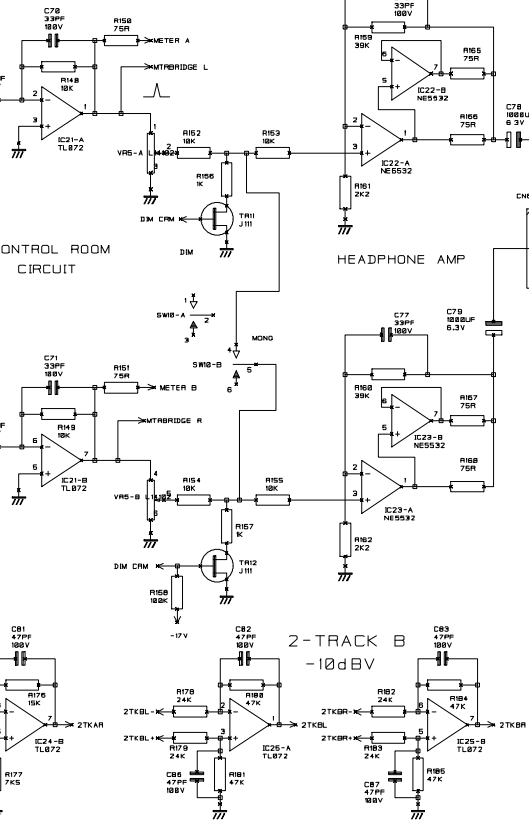
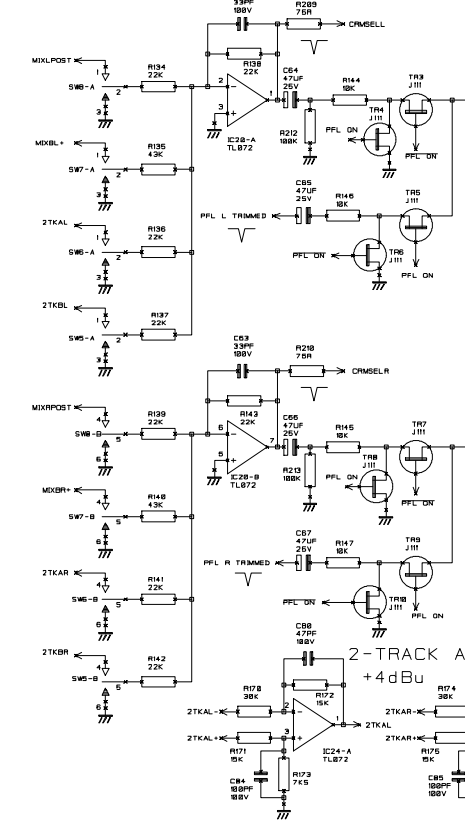
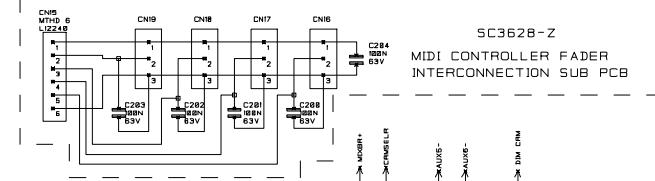
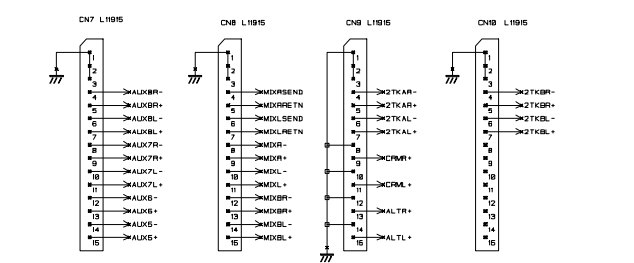
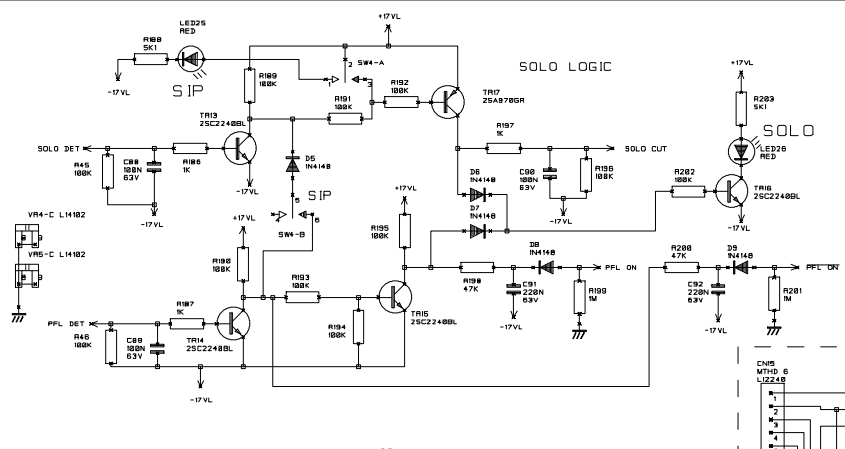
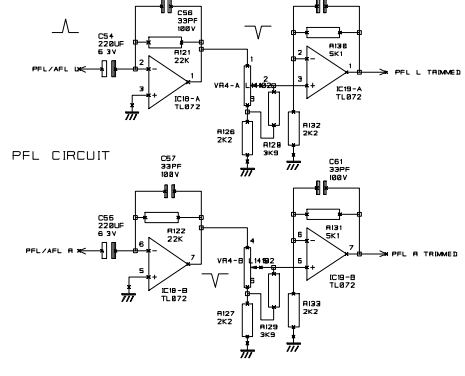
DRN.

TITLE  
GHOST  
MASTER CRM  
CIRCUIT

DRG NO. ED3628

DRG NO. ED 3628

INITIAL	ISSUE	DATE
DCB	4.2	19/03/97



NOTES

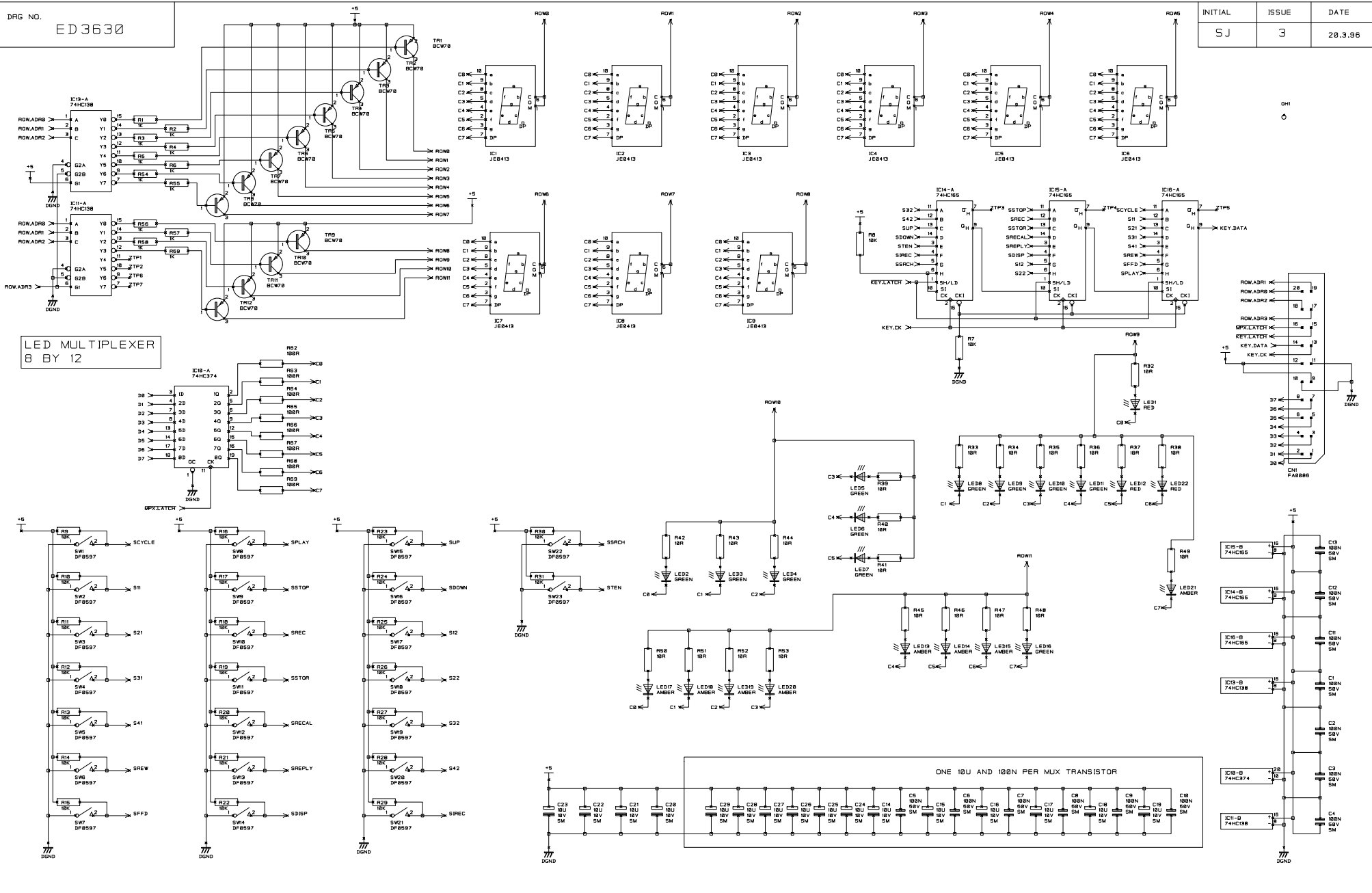
DRN. MDG

TITLE GHOST MASTER CRM CIRCUIT

DRG NO. ED 3628

DRG NO. ED 3630

INITIAL	ISSUE	DATE
SJ	3	20.3.96



LED MULTIPLEXER 8 BY 12

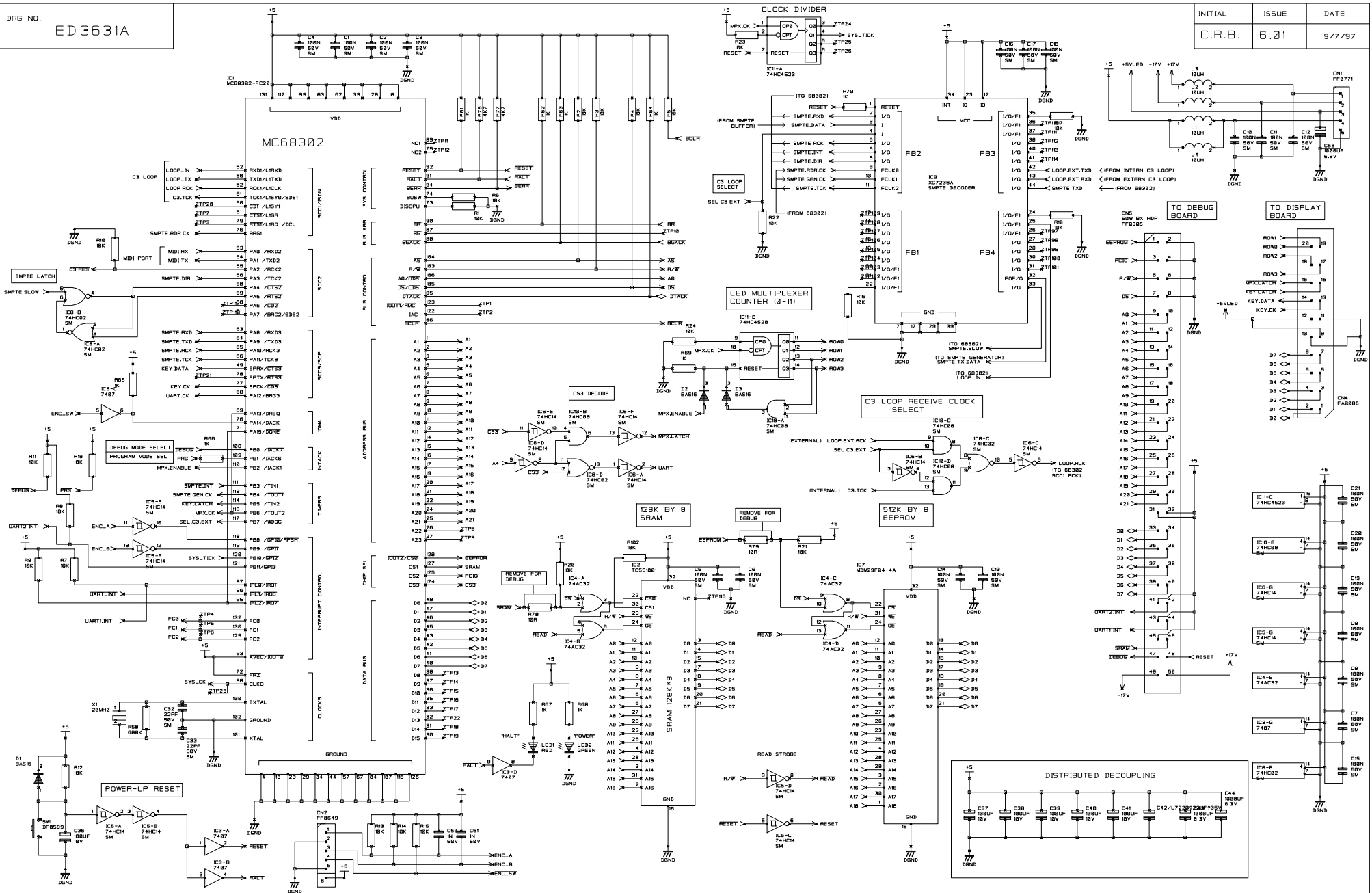
NOTES

DRN. SJ

TITLE GHOST SWITCH/  
DISPLAY BOARD

DRG NO. ED 3630

INITIAL	ISSUE	DATE
C.R.B.	6.01	9/7/97

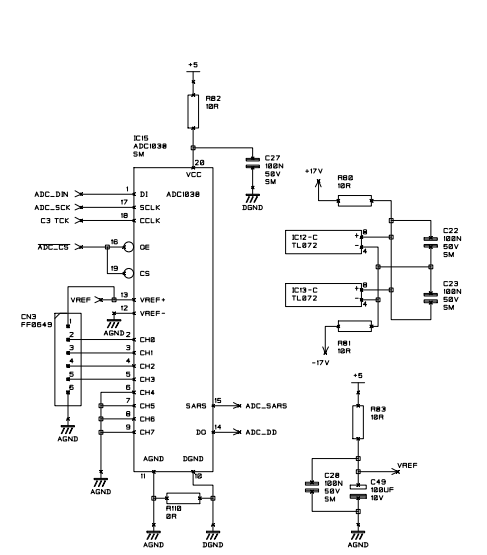
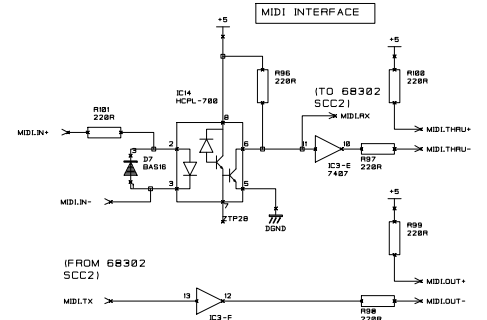
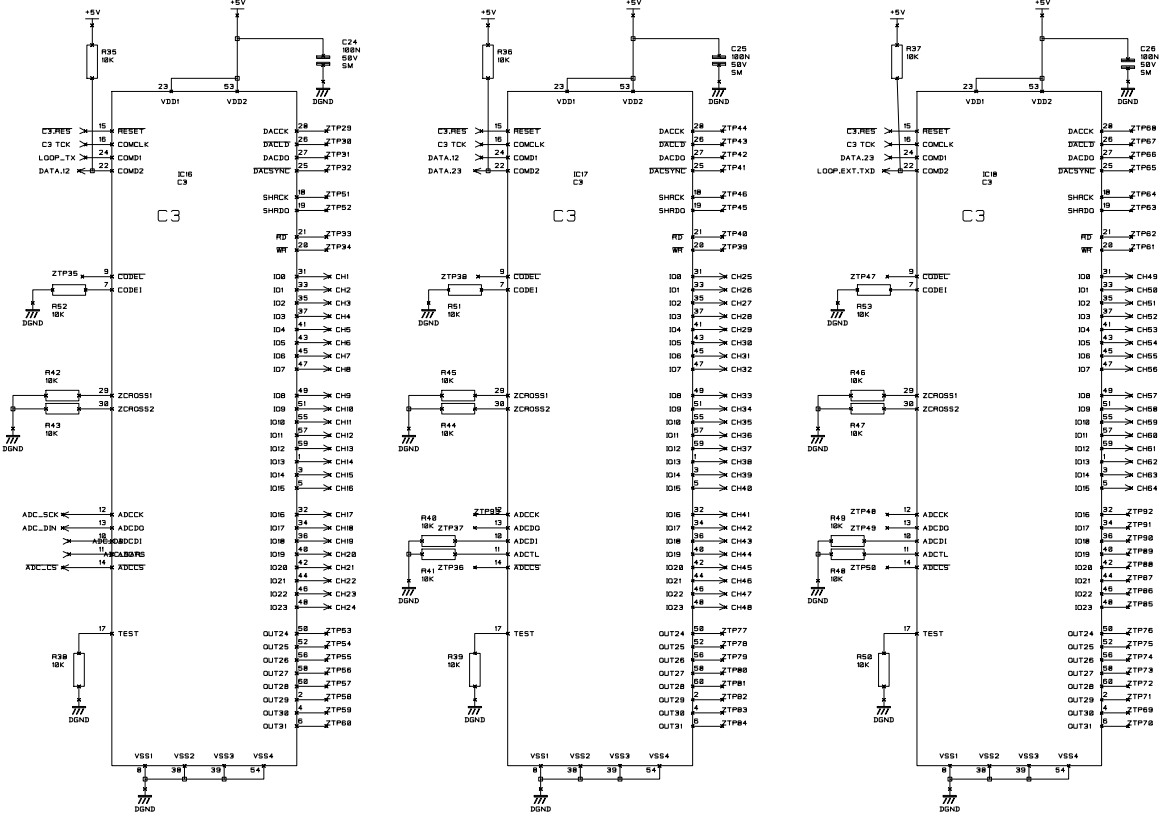
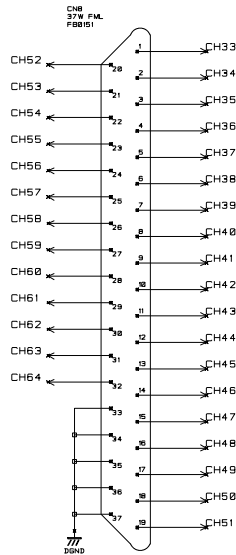
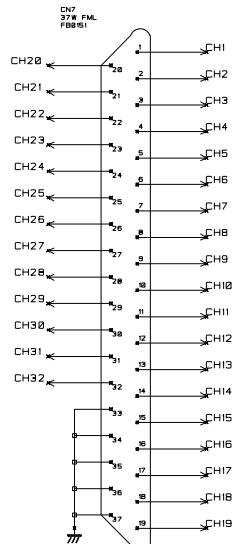
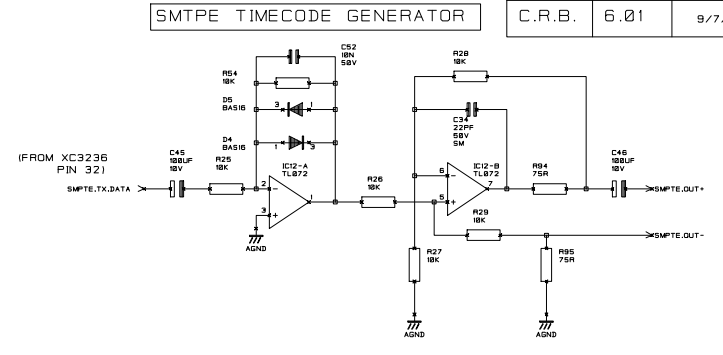
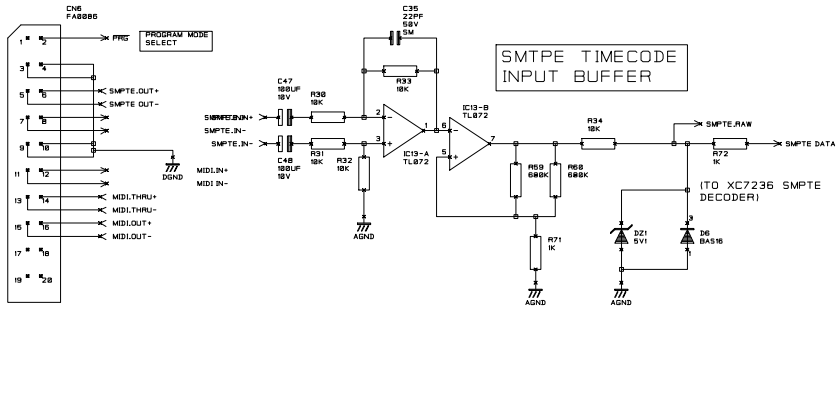


NOTES

DRN. SJ

TITLE  
GHOST CPU/  
C3 BOARD

DRG NO. ED3631A

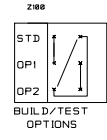
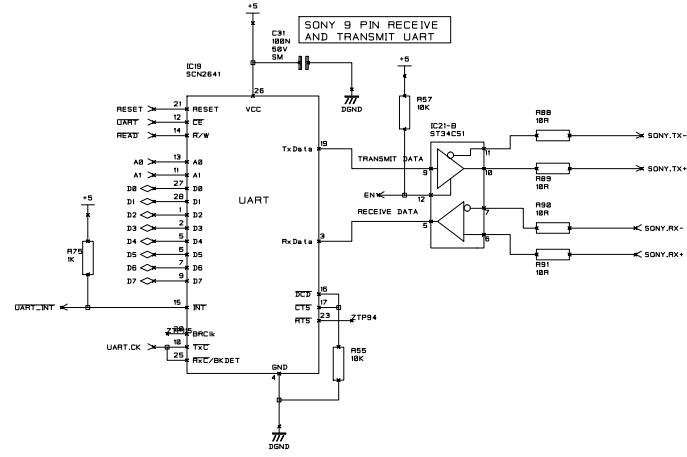
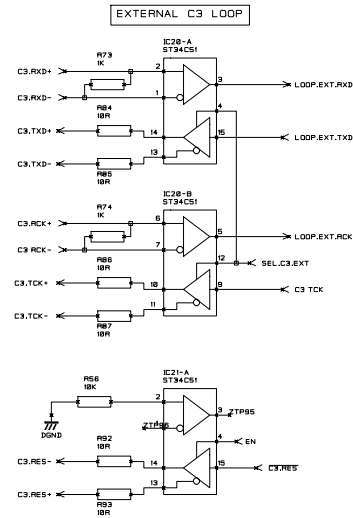
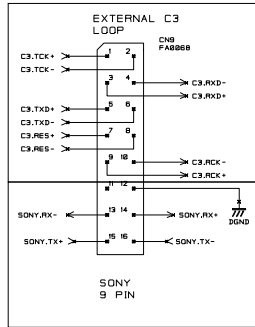


NOTES

DRN. SJ

TITLE  
GHOST CPU/  
C3 BOARD

DRG NO.  
ED 3631B



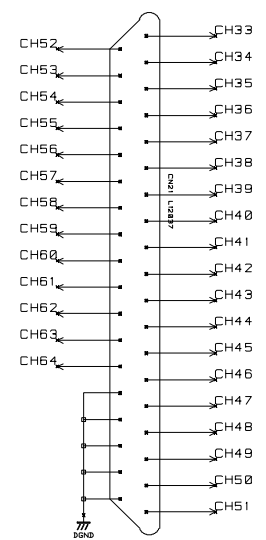
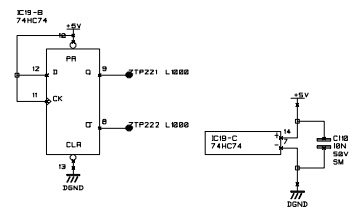
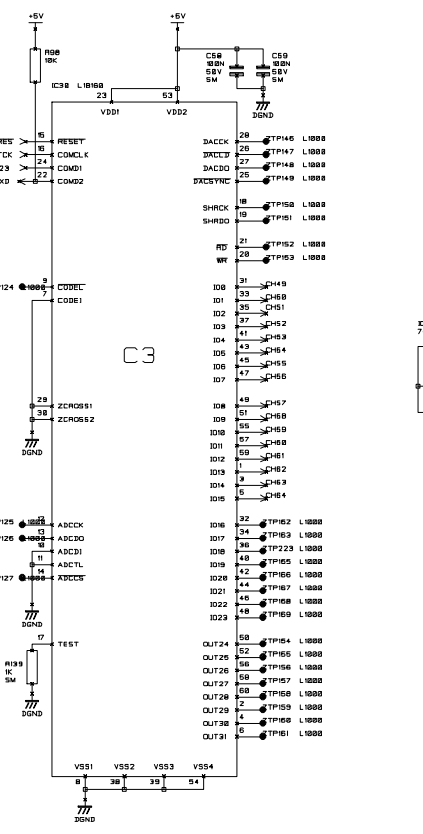
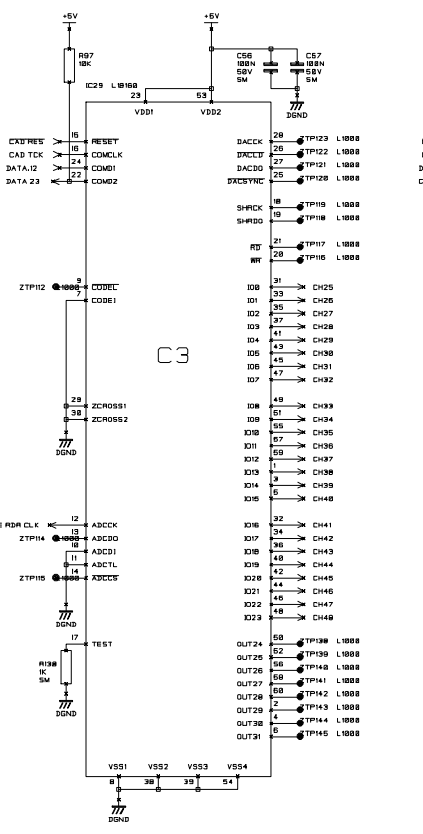
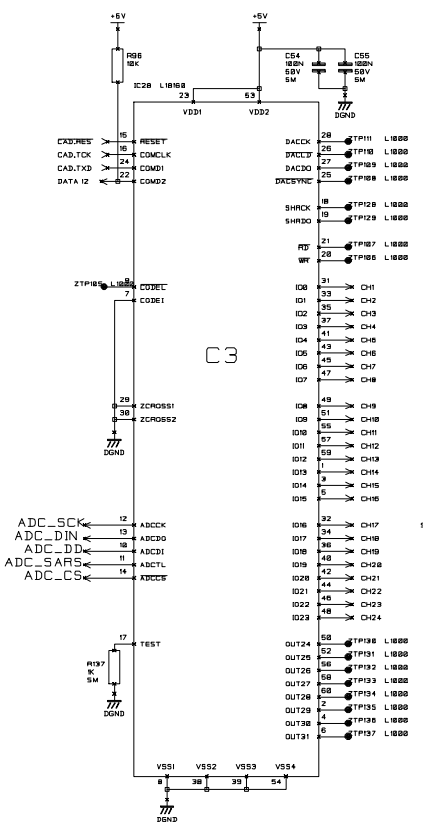
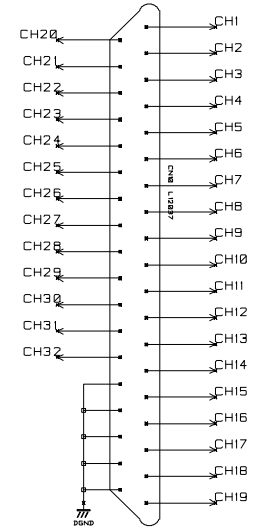
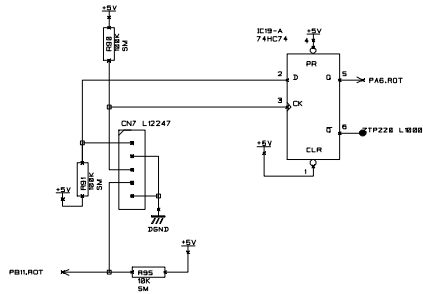
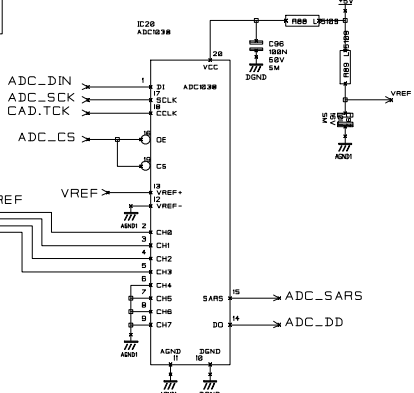
NOTES

DRN. SJ

TITLE  
GHOST CPU/  
C3 BOARD

DRG NO.  
ED3631C





NOTES

DRN. CN

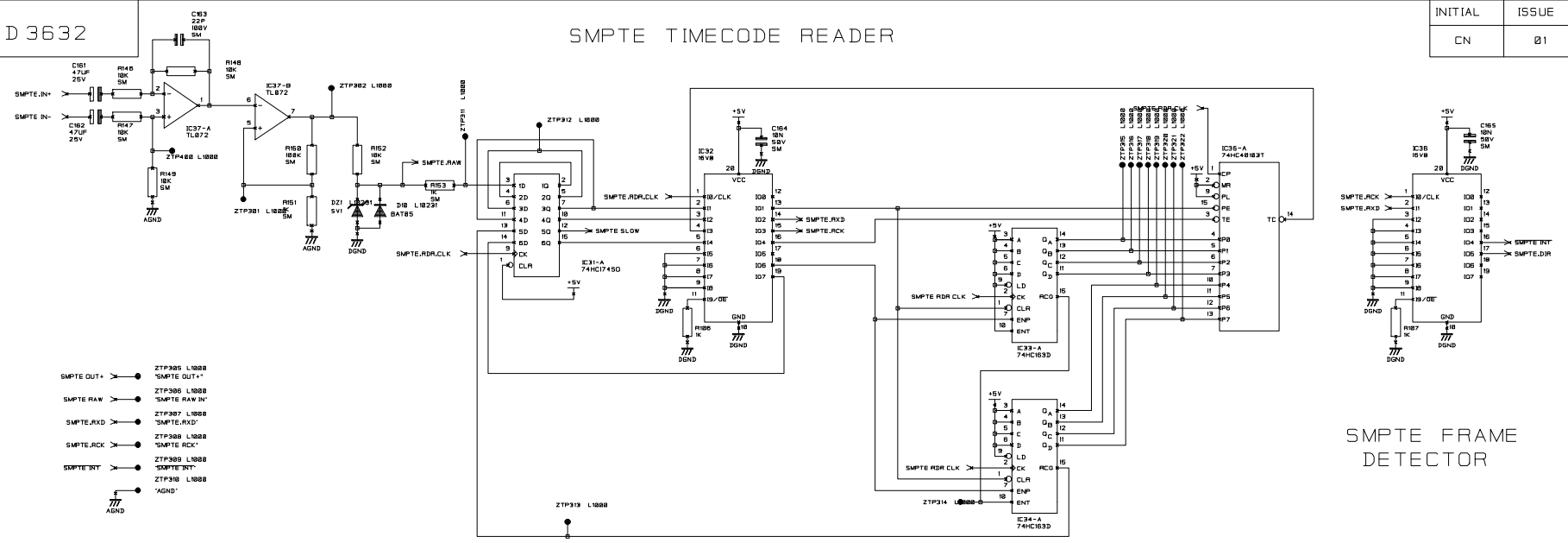
TITLE  
GHOST CPU  
MUTES/ADC

DRG NO.  
ED3632

DRG NO. ED 3632

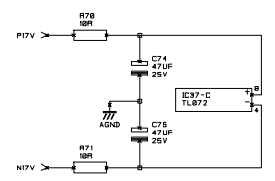
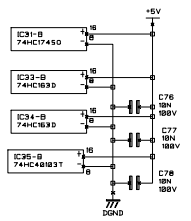
# SMPT E TIMECODE READER

INITIAL	ISSUE	DATE
CN	01	27/11/95



- SMPT E OUT+ → ZTP385 L1088 "SMPT E OUT+"
- SMPT E RAW → ZTP386 L1088 "SMPT E RAW IN"
- SMPT E RAW → ZTP387 L1088 "SMPT E RAW"
- SMPT E RCK → ZTP388 L1088 "SMPT E RCK"
- SMPT E INT → ZTP389 L1088 "SMPT E INT"
- SMPT E DIR → ZTP390 L1088 "SMPT E DIR"
- AGND → AGND

SMPT E FRAME DETECTOR

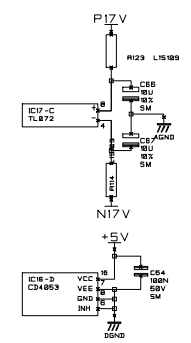
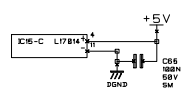
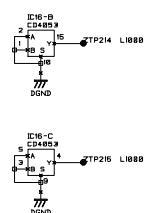
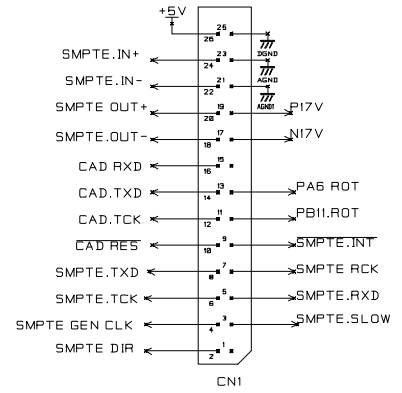
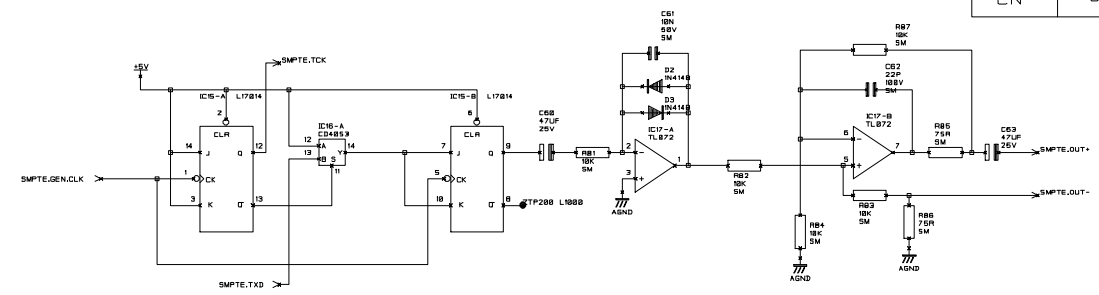


NOTES

DRN. CN

TITLE GHOST CPU

DRG NO. ED 3632

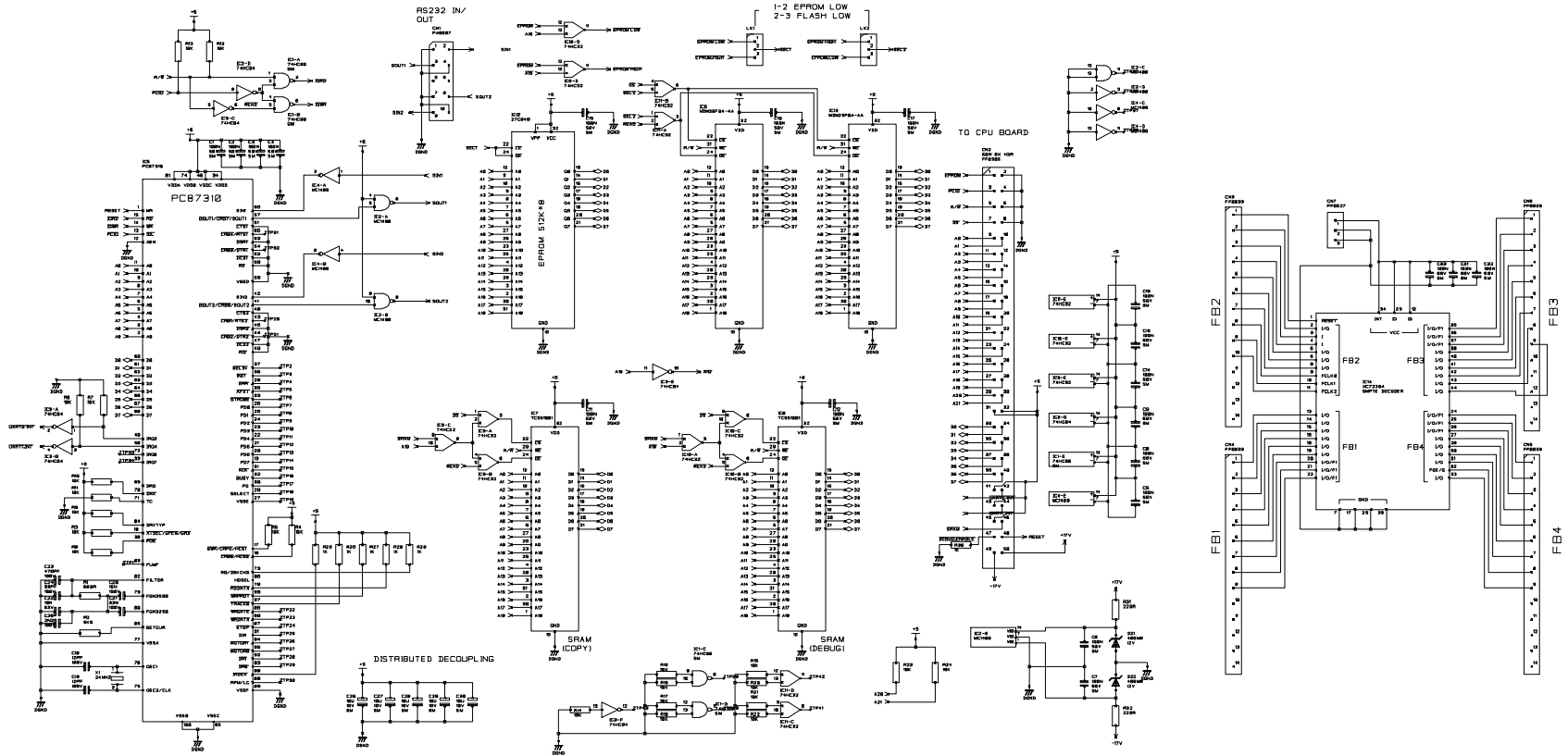


NOTES

DRN. CN

TITLE GHOST CPU  
SMPTE / DEBUG

DRG NO. ED 3632

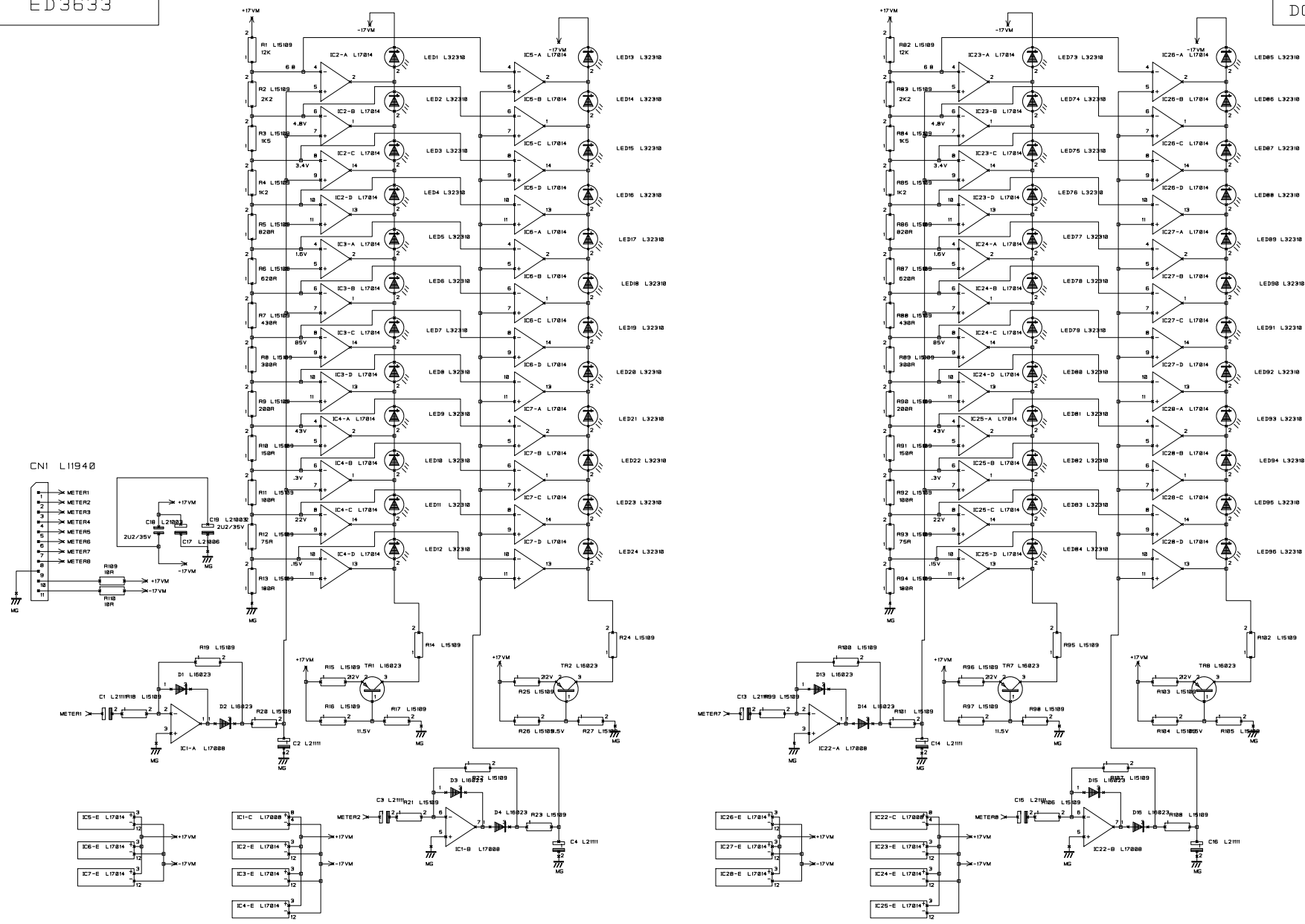


NOTES

DRN. STJ

TITLE GHOST CPU  
DEBUG BOARD  
DRG NO ED 3632 SHT 1 OF 1

INITIAL	ISSUE	DATE
DCB	2	18/03/97

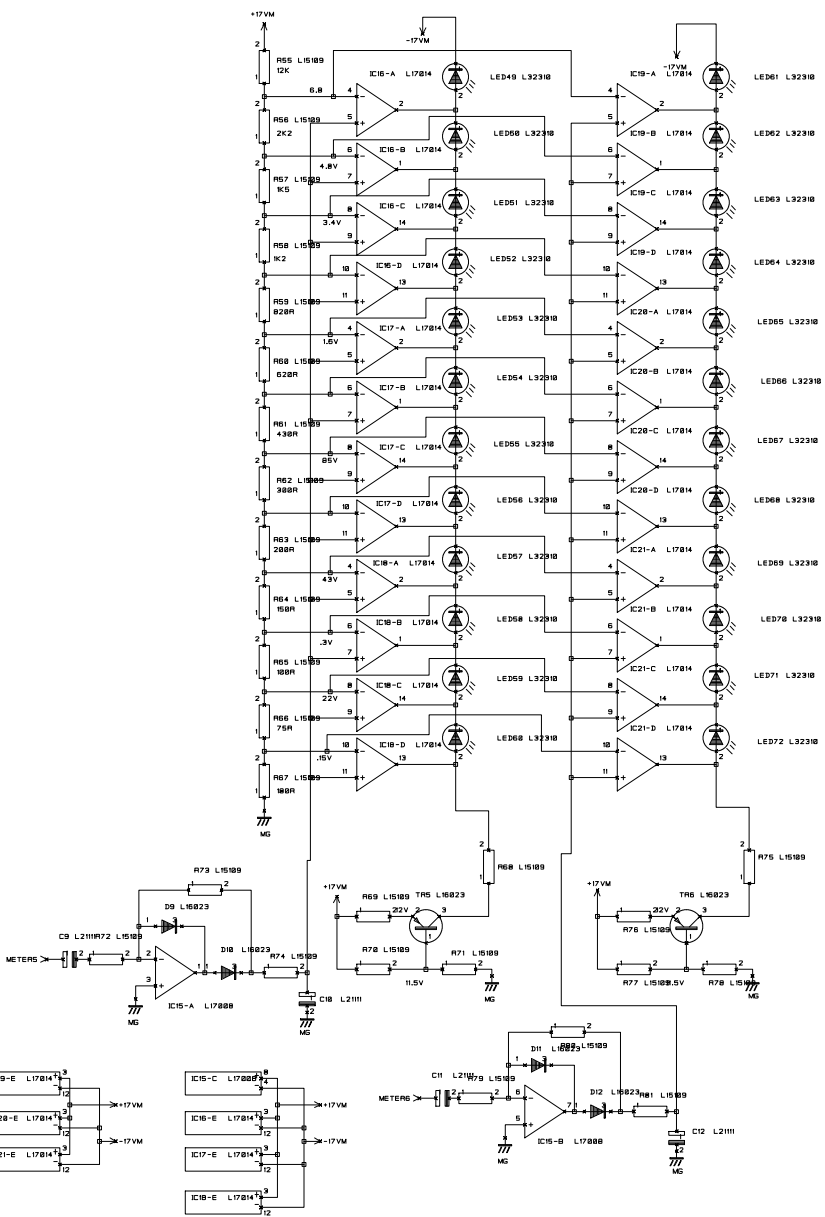
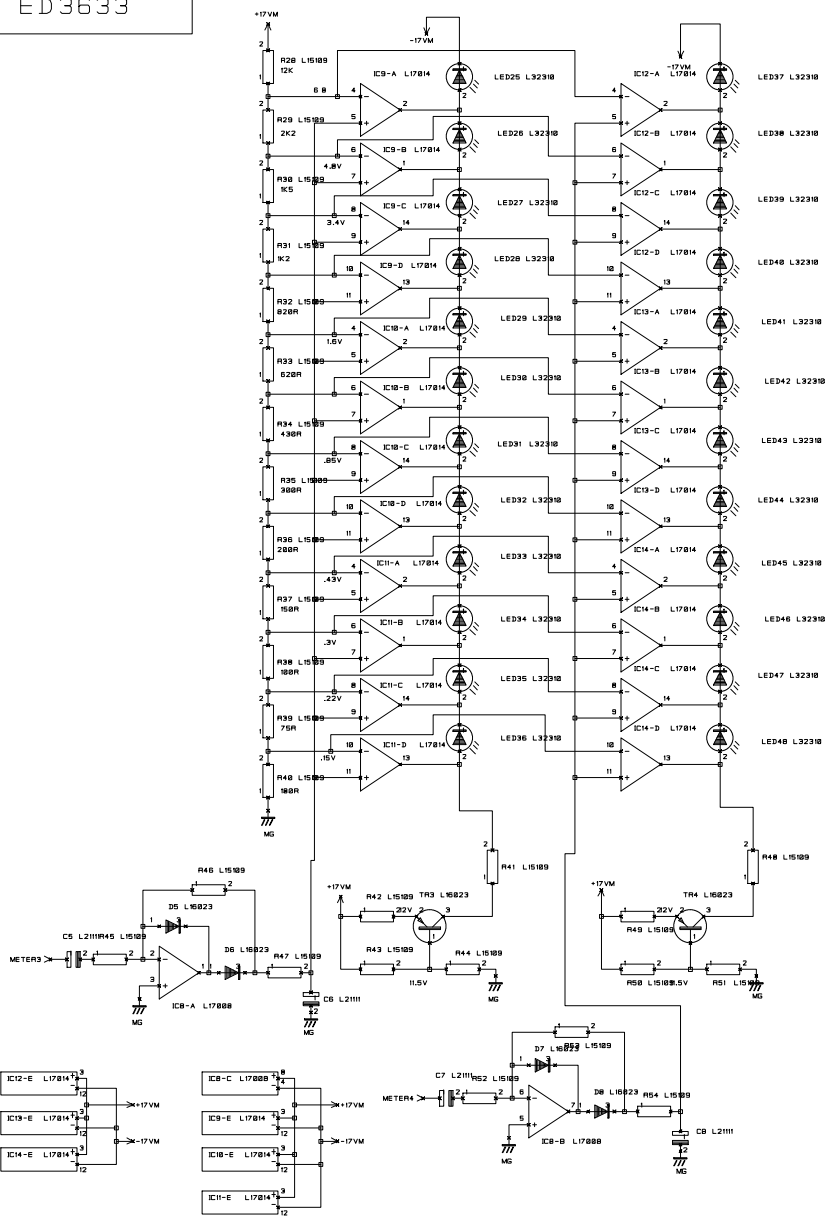


NOTES

DRN. MDG

TITLE  
GHOST METERBRIDGE  
INPUT SECTION  
PCB

DRG NO. ED 3633

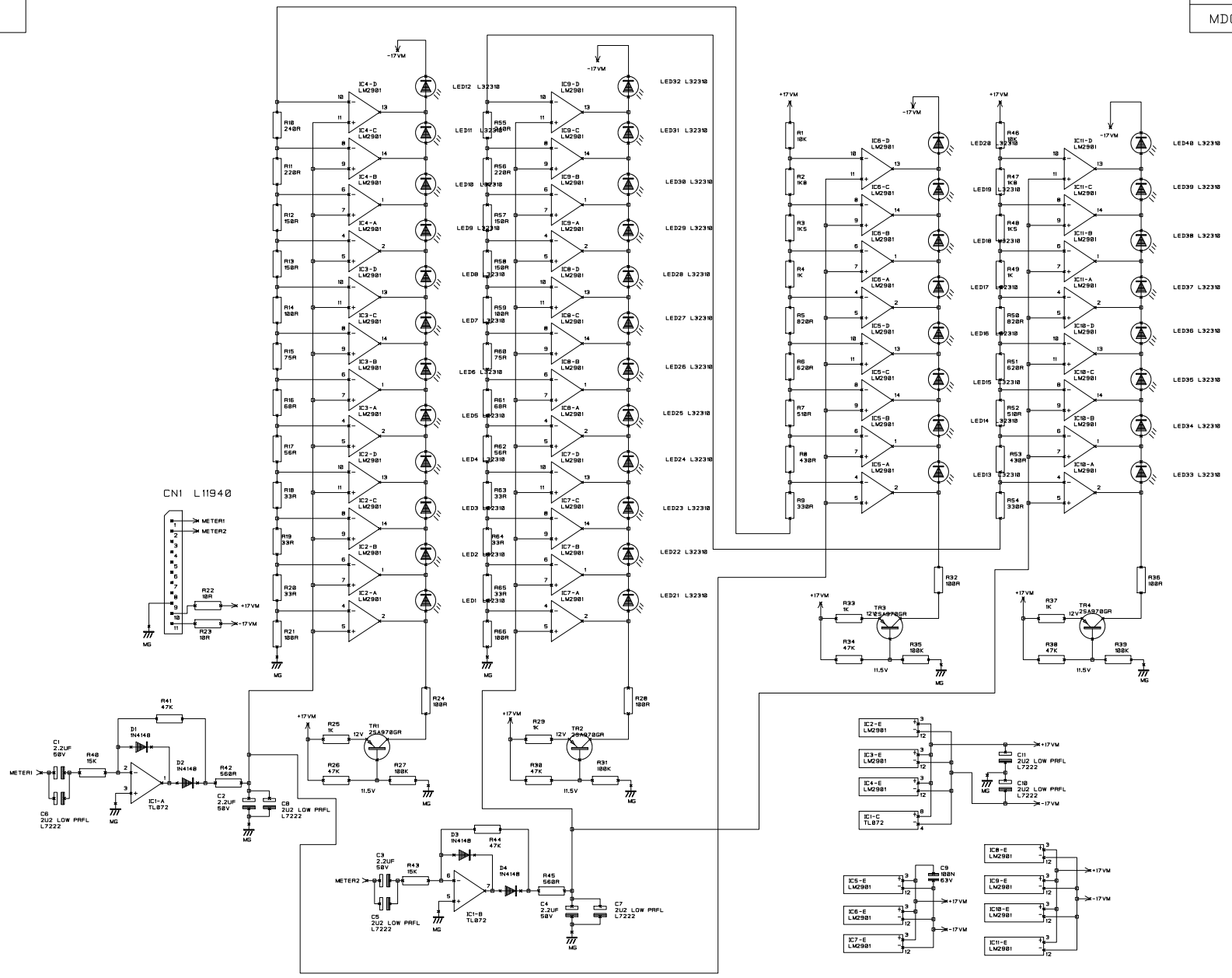


NOTES

DRN. MDG

TITLE  
GHOST METERBRIDGE  
INPUT SECTION  
PCB

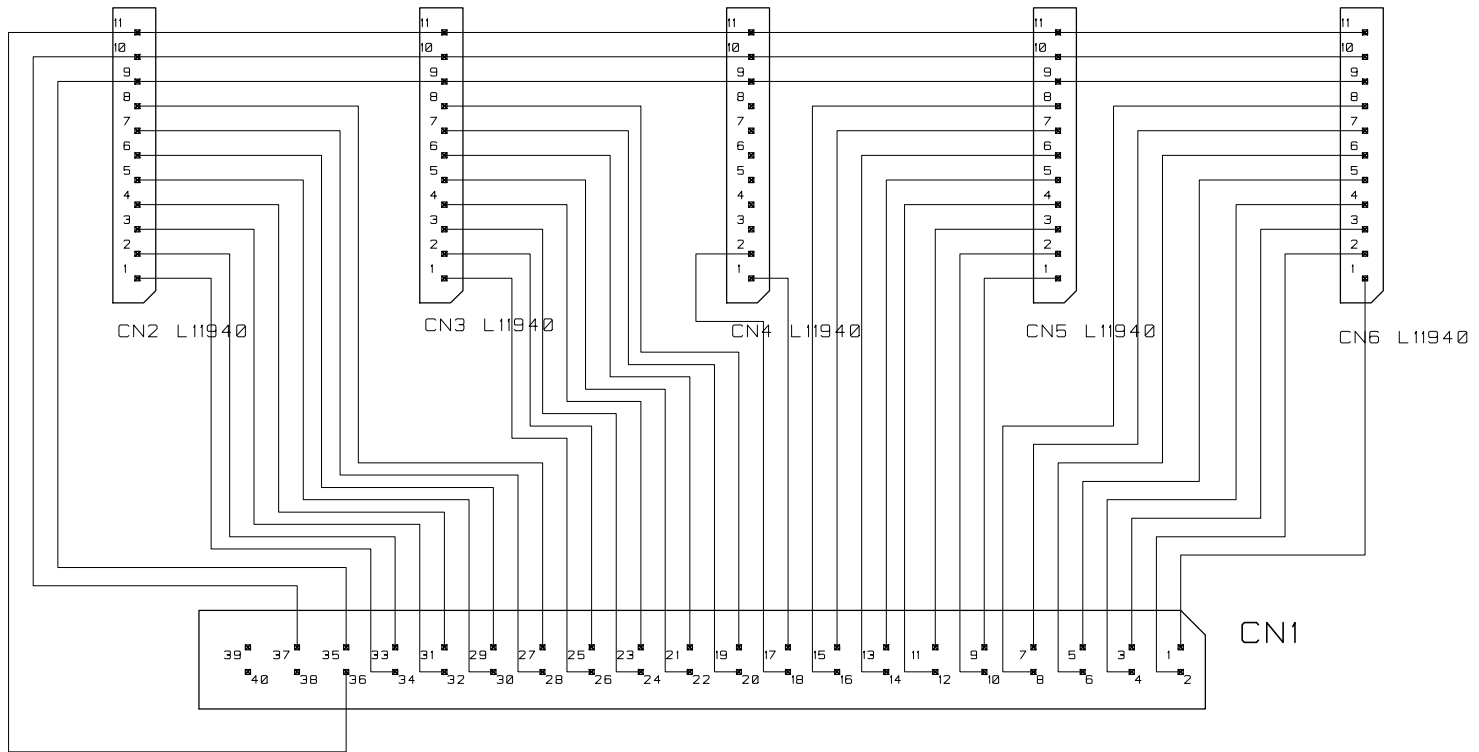
DRG NO. ED 3633



NOTES

DRN.  
MDG

TITLE GHOST  
METERBRIDGE  
MASTER METER PCB  
DRG NO. ED3634



NOTES

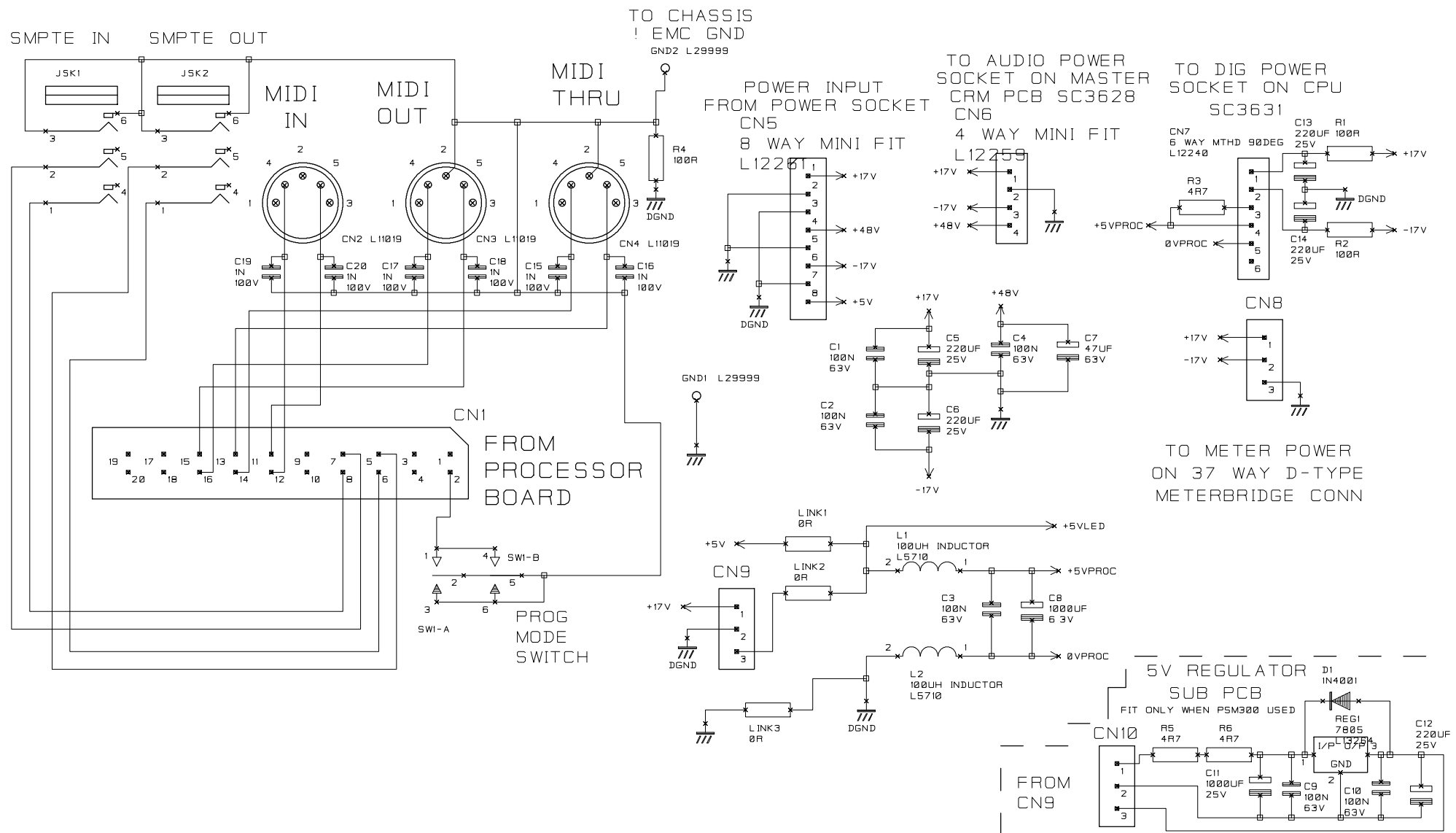
DRN.  
MDG

TITLE  
GHOST METERBRIDGE  
DISTRIBUTION PCB

DRG NO.  
ED 3635

SHT. 1 OF 1





NOTES

DRN. MDG

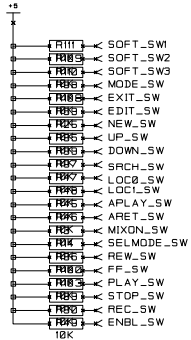
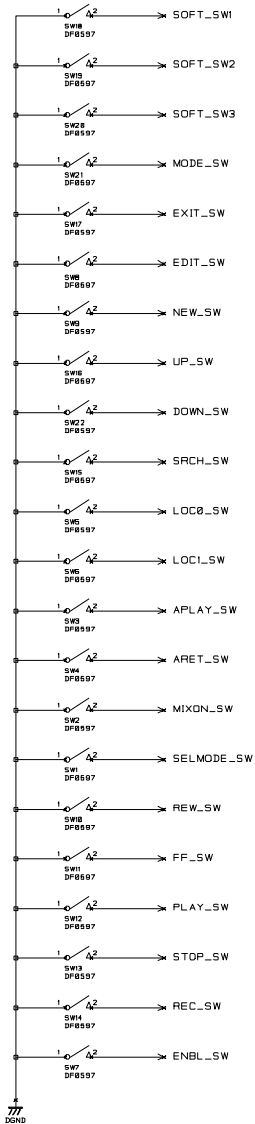
TITLE GHOST MIDI RCONN AND PSU DISTRIBUTION PCB

DRG NO. ED 3622

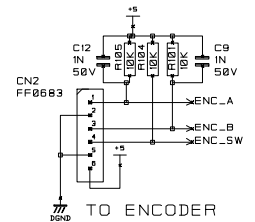
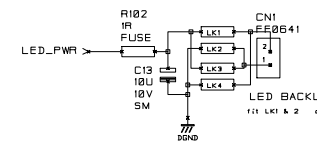
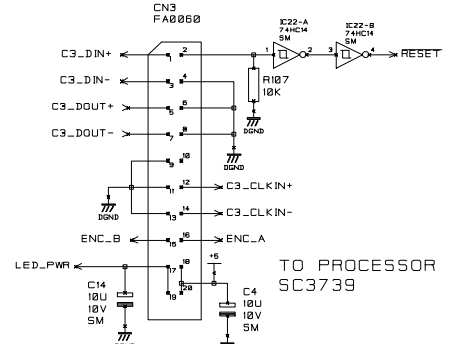
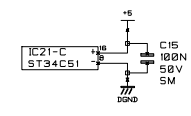
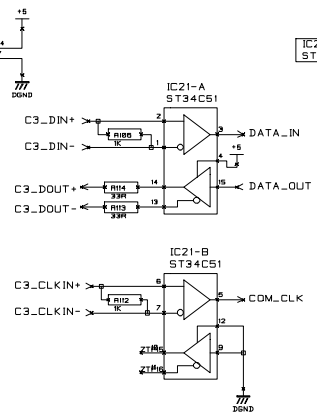
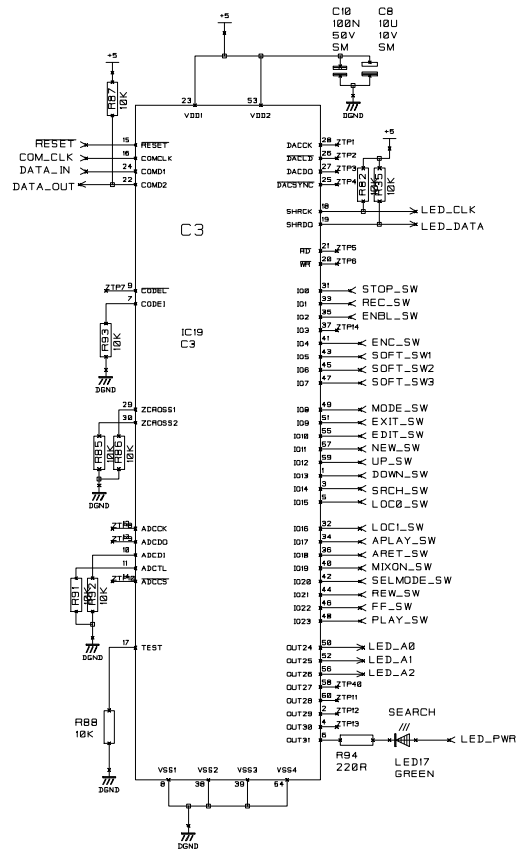
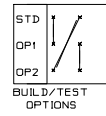
SHT. 1 OF 1

INITIAL	ISSUE	DATE
AH	1	16/6/96

SWITCH INPUTS

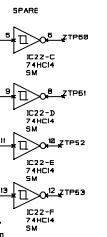


Z1



TO PROCESSOR SC3739

LED BACKLIGHT  
1x1 LK1 & 2 of LK3 & 4



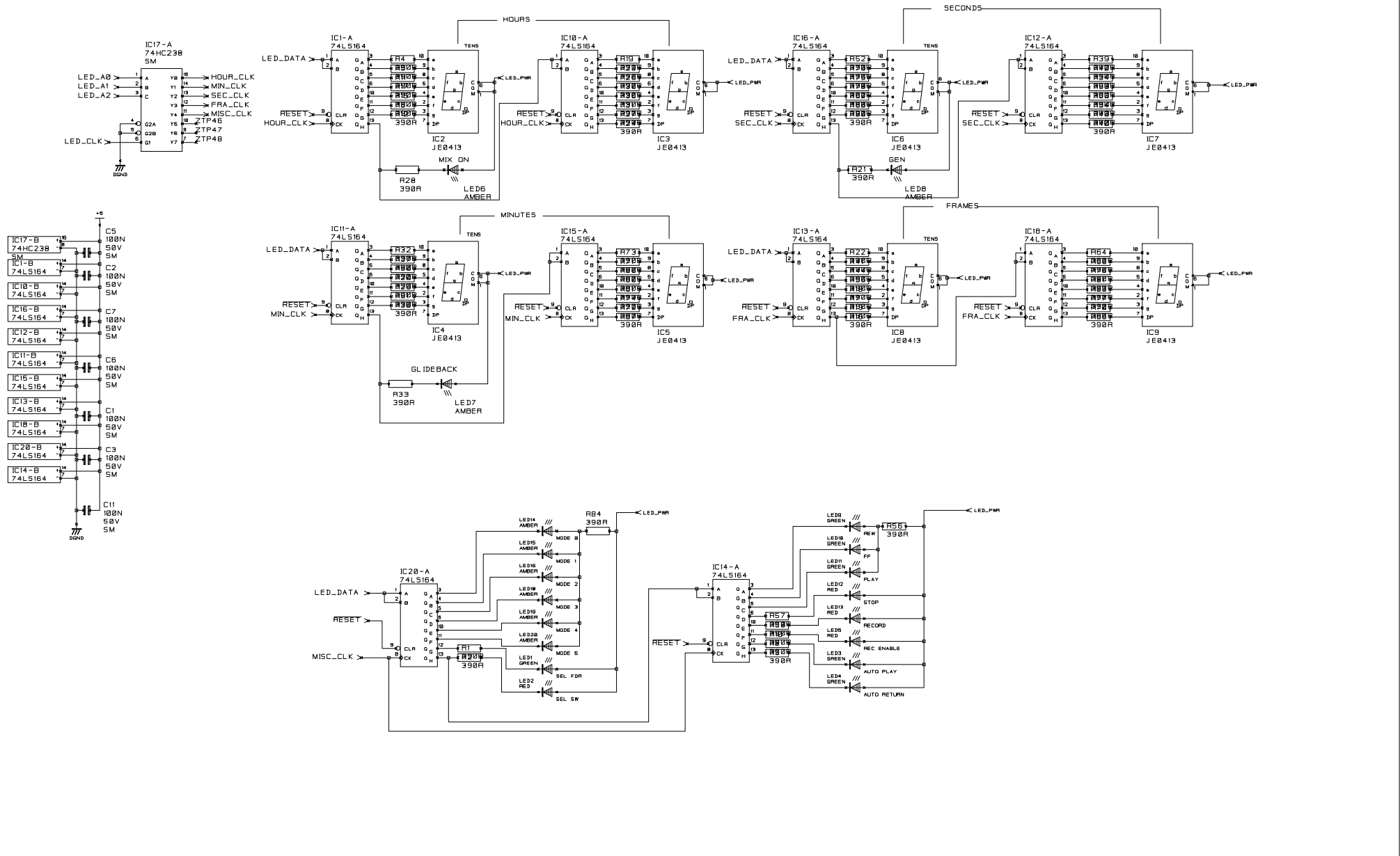
NOTES

DRN.	AH
------	----

TITLE	GHOST MF DISPLAY PCB
DRG NO.	ED3740A

INITIAL	ISSUE	DATE
AH	1	16/6/96

TIME CODE



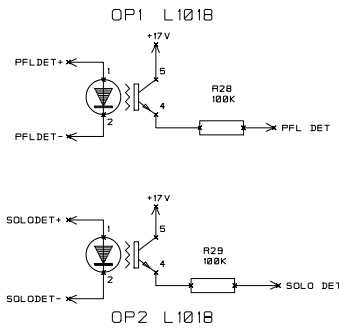
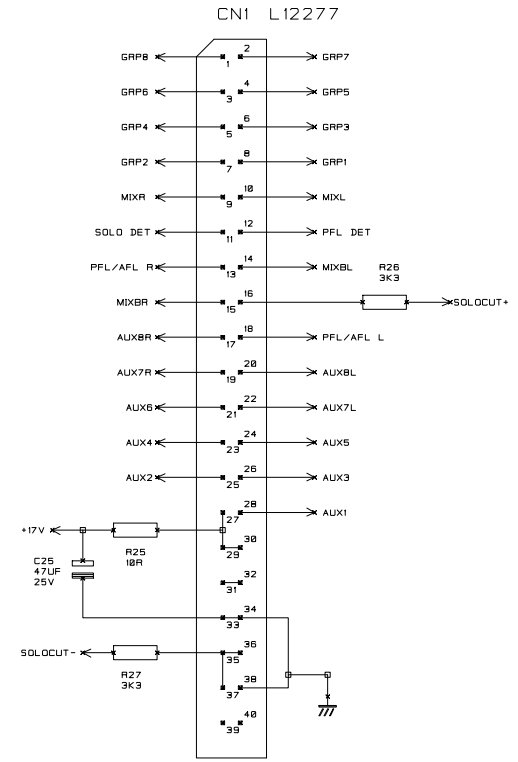
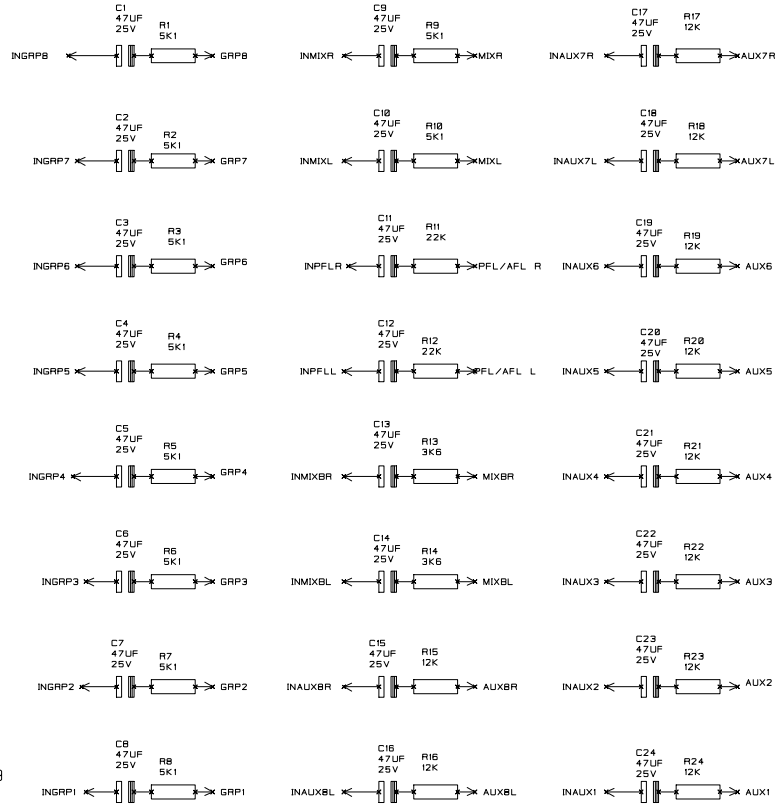
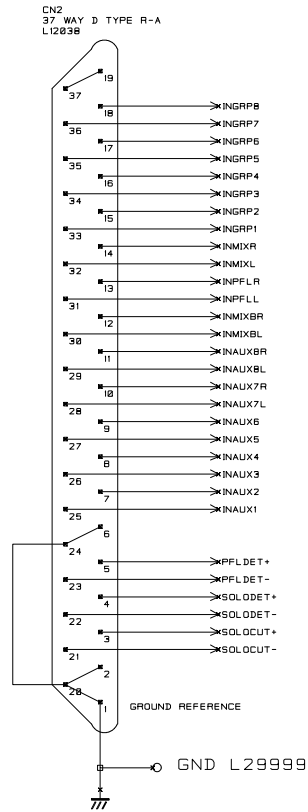
NOTES

DRN.

AH

TITLE  
GHOST MF DISPLAY  
PCB (LEDS & DISPLAYS)

DRG NO.  
ED3740B

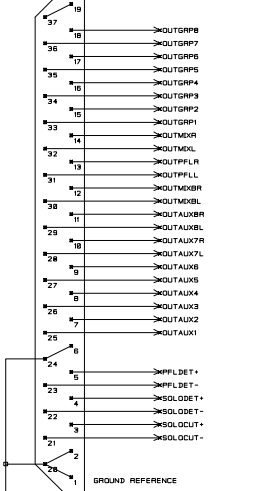


NOTES

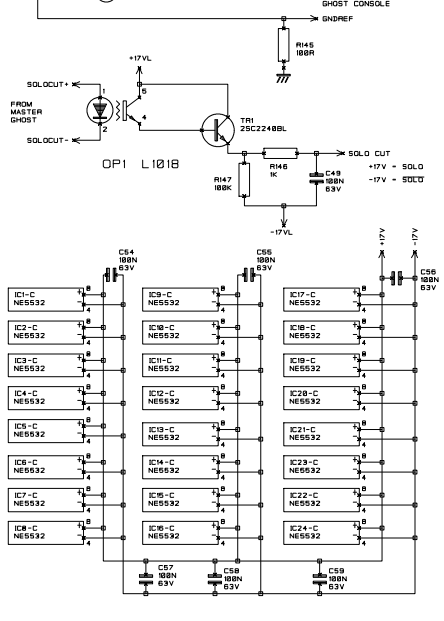
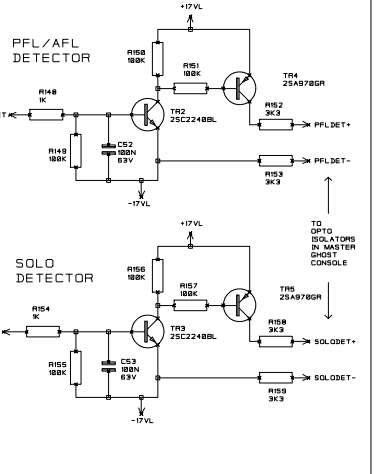
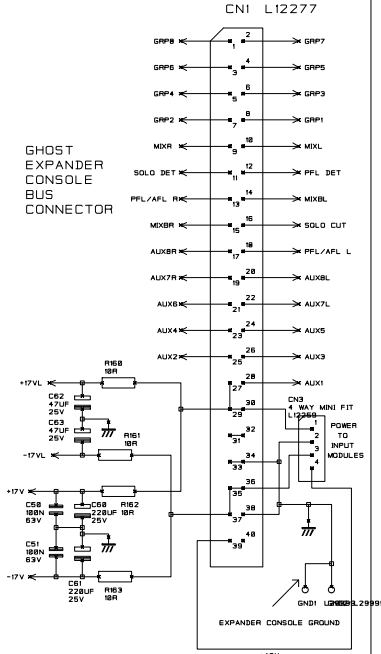
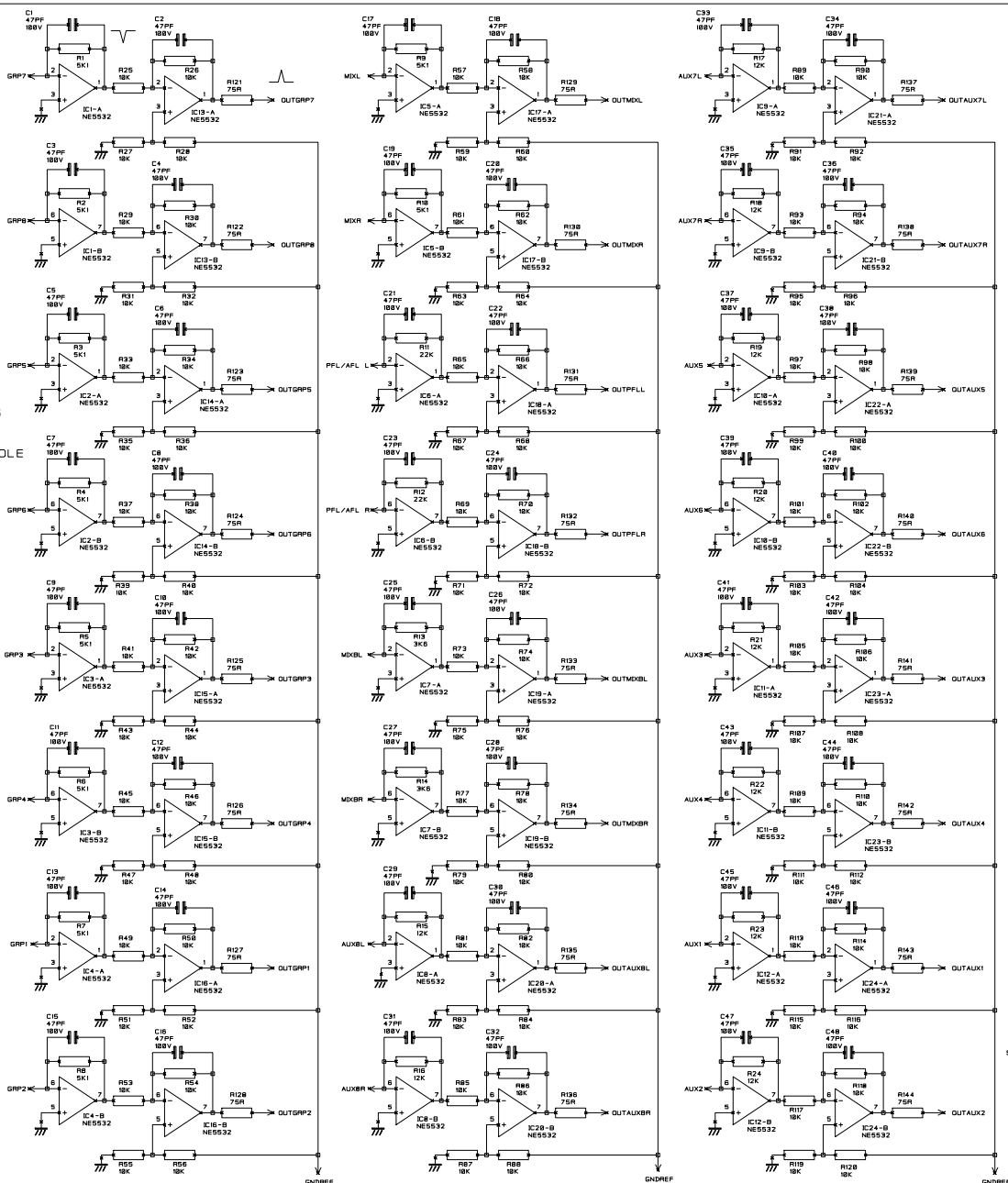
NOTES

INITIAL	ISSUE	DATE
TW	2:02	4-11-98

CN2 37 WAY D TYPE M-A L1835B  
CONNECTS TO MASTER GHOST CONSOLE



AUDIO BUS SUMMING AMPS AND OUTPUTS TO GHOST MASTER CONSOLE



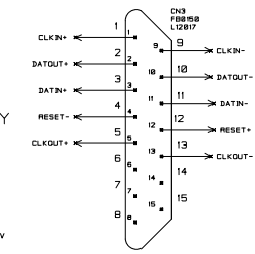
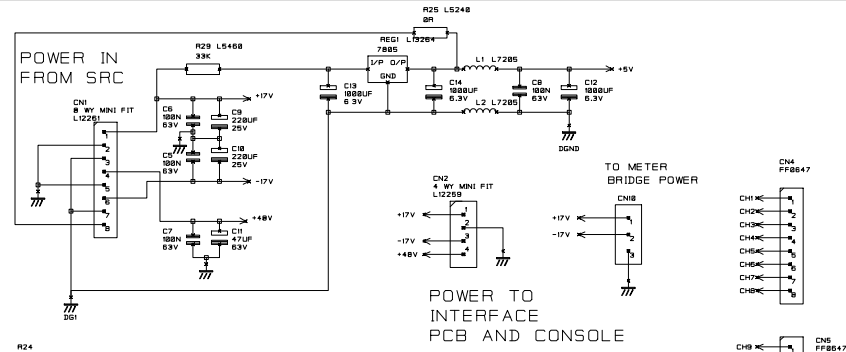
NOTES

DRN. MDG

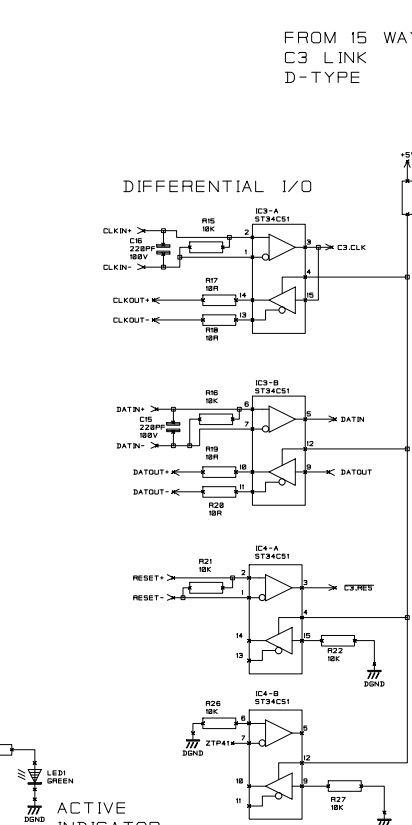
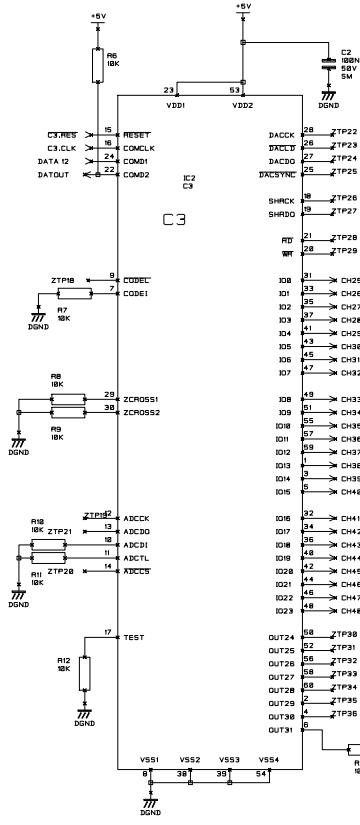
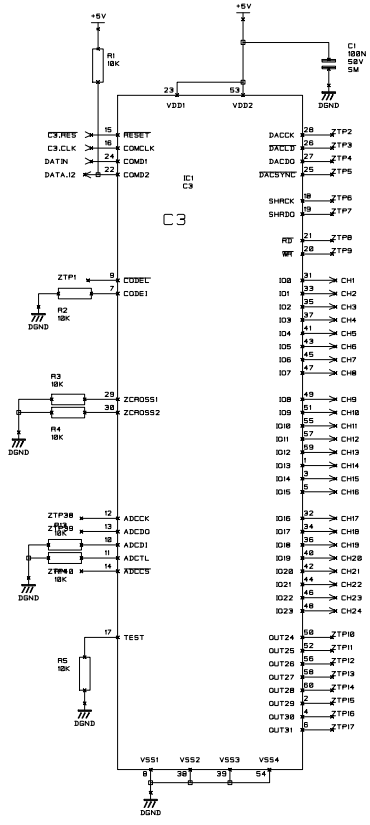
TITLE GHOST EXPANDER CONSOLE BUS INTERFACE PCB

DRG NO. ED 3727

INITIAL	ISSUE	DATE
MG	3:01	3-1-97



C3 CHIPS



FROM 15 WAY C3 LINK D-TYPE

MUTE SIGNALS TO AND FROM CHANNELS

ACTIVE INDICATOR

NOTES  
 ISSUE 2 MODIFICATIONS SHOWN.  
 +5V REGULATOR PROVIDED FOR USE WITH PSM 290

DRN. MG

TITLE  
 GHOST EXPANDER  
 C3/POWER DIST  
 PCB

DRG NO. ED 3728