



TECHNICAL MANUAL

Software Version 3.0



Safety Guide

Safety Symbol Guide	4
Approvals and Notice	5
Warranty	6
Important Safety Instructions	7
Warnings	8

SAFETY SYMBOL GUIDE

For your own safety and to avoid invalidation of the warranty all text marked with these symbols should be read carefully.



CAUTIONS

Must be followed carefully to avoid bodily injury



WARNINGS

Must be observed to avoid damage to your equipment



NOTES

Contain important information and useful tips on the operation of your equipment



IMPORTANT

Please read this manual carefully before connecting your Interface to the mains for the first time.



This equipment complies with the EMC Directive 89/336/EEC and LVD 73/23/EEC and 93/68/EEC

For further details contact:

Harman International Industries Ltd,
Cranborne House, Cranborne Road,
Potters Bar, Hertfordshire, EN6 3JN, UK.

Tel: +44 (0) 1707 665000
Fax: +44 (0) 1707 660482

© Harman International Industries Ltd. 2002

All rights reserved

Parts of the design of this product may be protected by worldwide patents.

Part No. ZM0272

Issue 3.0

Soundcraft is a trading division of Harman International Industries Ltd. Information in this manual is subject to change without notice and does not represent a commitment on the part of the vendor. Soundcraft shall not be liable for loss or damage whatsoever arising from the use of information or any error contained in this manual.

No part of this manual may be reproduced, stored in a retrieval system, or transmitted, in any form or by any means, electronic, electrical, mechanical, optical, chemical, including photocopying and recording, for any purpose without the express written permission of Soundcraft.



Harman International Industries Limited
Cranborne House
Cranborne Road
POTTERS BAR
Hertfordshire
EN6 3JN
UK

website: <http://www.soundcraft.com/>
e-mail: info@soundcraft.com



Warranty

- 1 **Soundcraft** uses trading divisions of Harman International Industries Ltd .
End User means the person who first puts the equipment into regular operation.
Dealer means the person other than Soundcraft (if any) from whom the End User purchased the Equipment, provided such a person is authorised for this purpose by Soundcraft or its accredited Distributor.
Equipment means the equipment supplied with this manual.
- 2 If within the period of twelve months from the date of delivery of the Equipment to the End User it shall prove defective by reason only of faulty materials and/or workmanship to such an extent that the effectiveness and/or usability thereof is materially affected the Equipment or the defective component should be returned to the Dealer or to Soundcraft and subject to the following conditions the Dealer or Soundcraft will repair or replace the defective components. Any components replaced will become the property of Soundcraft.
- 3 Any Equipment or component returned will be at the risk of the End User whilst in transit (both to and from the Dealer or Soundcraft) and postage must be prepaid.
- 4 This warranty shall only be valid if:
 - A) the Equipment has been properly installed in accordance with instructions contained in Soundcraft's manual; and
 - B) the End User has notified Soundcraft or the Dealer within 14 days of the defect appearing; and
 - C) no persons other than authorised representatives of Soundcraft or the Dealer have effected any replacement of parts maintenance adjustments or repairs to the Equipment; and
 - D) the End User has used the Equipment only for such purposes as Soundcraft recommends, with only such operating supplies as meet Soundcraft's specifications and otherwise in all respects in accordance Soundcraft's recommendations.
- 5 Defects arising as a result of the following are not covered by this Warranty: faulty or negligent handling, chemical or electro-chemical or electrical influences, accidental damage, Acts of God, neglect, deficiency in electrical power, air-conditioning or humidity control.
- 6 The benefit of this Warranty may not be assigned by the End User.
- 7 End Users who are consumers should note their rights under this Warranty are in addition to and do not affect any other rights to which they may be entitled against the seller of the Equipment.



IMPORTANT SAFETY INSTRUCTIONS

- **CAUTIONS**

To avoid the risk of fire, replace the mains fuse only with the correct type and value fuse, as marked on the rear panel.

- **ATTENTION**

Afin de réduire le risque de feu remplacer seulement avec fusible de même type.

- **REPLACING MAINS FUSE**

Switch the ON/OFF switch to the OFF position. Remove the mains lead from the connector. Use a small screwdriver to prise the fuse carrier from its location in the connector. Check the fuse and replace if necessary; also check that the voltage selection is correct for the mains supply level before switching the unit ON again. If the mains fuse fails repeatedly this may be because an electrical safety hazard exists. The unit must be taken out of service and referred to the Soundcraft/Spirit dealer from where the equipment was purchased.

- **THIS UNIT MUST BE EARTHED**

Under no circumstances should the mains earth be disconnected from the mains lead.

- **ATTENTION**

Cet appareil doit être branché à la terre.

- The wires in the mains lead are coloured in accordance with the following code:

Earth: Green and Yellow (Green/Yellow - US)
Neutral: Blue (White - US)
Live: Brown (Black - US)

As the colours of the wires in the mains lead may not correspond with the coloured markings identifying the terminals in your plug, proceed as follows:

The wire which is coloured Green and Yellow must be connected to the terminal in the plug which is marked with the letter E or by the earth symbol.

The wire which is coloured Blue must be connected to the terminal in the plug which is marked with the letter N.

The wire which is coloured Brown must be connected to the terminal in the plug which is marked with the letter L.

- Ensure that these colour codings are followed carefully in the event of the plug being changed.

-



- This unit is capable of operating over a range of mains voltages as marked on the rear panel. It is important to ensure that the correct mains fuse is fitted before switching on the unit.



WARNINGS

- Read these instructions.
- Keep these instructions.
- Heed all warnings.
- Follow all instructions.
- This unit contains no user serviceable parts. Refer all servicing to a qualified service engineer, through the appropriate Soundcraft dealer.
- Do not use this apparatus near water.
- Clean only with a damp cloth.
- Do not block any of the ventilation openings. Install in accordance with the manufacturers instructions.
- Do not install near any heat sources such as radiators, heat resistors, stoves, or other apparatus (including amplifiers) that produce heat.
- Do not defeat the safety purpose of the polarized or grounding-type plug. A polarized plug has two blades with one wider than the other. A grounding type plug has two blades and a third grounding prong. The wide blade or the third prong are provided for your safety. when the provided plug does not fit into your outlet, consult an electrician for replacement of the obsolete outlet.
- Protect the power cord from being walked on or pinched particularly at plugs, convenience receptacles and the point where they exit from the apparatus.
- Only use attachments/accessories specified by the manufacturer.
- Unplug this apparatus during lightning storms or when unused for long periods of time.
- Refer all servicing to qualified service personnel. Servicing is required when the apparatus has been damaged in any way such as power-supply cord or plug is damaged., liquid has been spilled or objects have fallen into the apparatus, the apparatus has been exposed to rain or moisture, does not operate normally or has been dropped.
- It is recommended that all maintenance and service on the product should be carried out by Soundcraft or its authorised agents. Soundcraft cannot accept any liability whatsoever for any loss or damage caused by service, maintenance or repair by unauthorised personnel.
- Use only with a cart, stand, hood, bracket or table specified by the manufacturer or sold with the apparatus. When a cart is used, use caution when moving the cart apparatus combination to avoid injury from tip-over.



**THIS TECHNICAL MANUAL
FOR THE RM1d/RM1ds
IS INTENDED TO BE READ IN CONJUNCTION WITH
THE RM1d/RM1ds USER GUIDE,
PART NUMBER ZM0277**

Contents

User Guide

Circuit Diagrams Section 1

PCB Layouts Section 2

Spare Parts Section 3

Circuit Diagrams

ED3471

RM100 VU Driver and Distribution

ED3946 Iss 5

RM1d Input Control Surface

ED3947 Issue 7

RM1d Master Control Surface

ED3948 Issue 4

RM1d SPE Module

ED3950 Issue 3

RM1d Timer

ED3960 Issue 4

RM1d Meter/Speaker

ED3962 Issue 3

RM1d Backplane Extension

ED4113 Issue 2

RM1d SPE Module

ED4183 Issue 2

RM1d DC Inlet Filter

ED4184 Issue 3

RM1d +5VD Reg

ED4188 Issue 2

RM1ds Fader Board

ED4187 Issue 2

RM1ds Input Control Surface

ED4202 Issue 1

RM1d-G3 Mic I/P Subcard

ED4203 Issue 1

RM1d I/O Rack XLR Analogue Input Card

ED4204 Issue 2

RM1d-G3 SPDIF

ED4205 Issue 2

Rm1d-G3 Additional Analogue Input/Output

ED4206 Issue 1

RM1d-G3 Analogue Output

ED4207 Issue 2

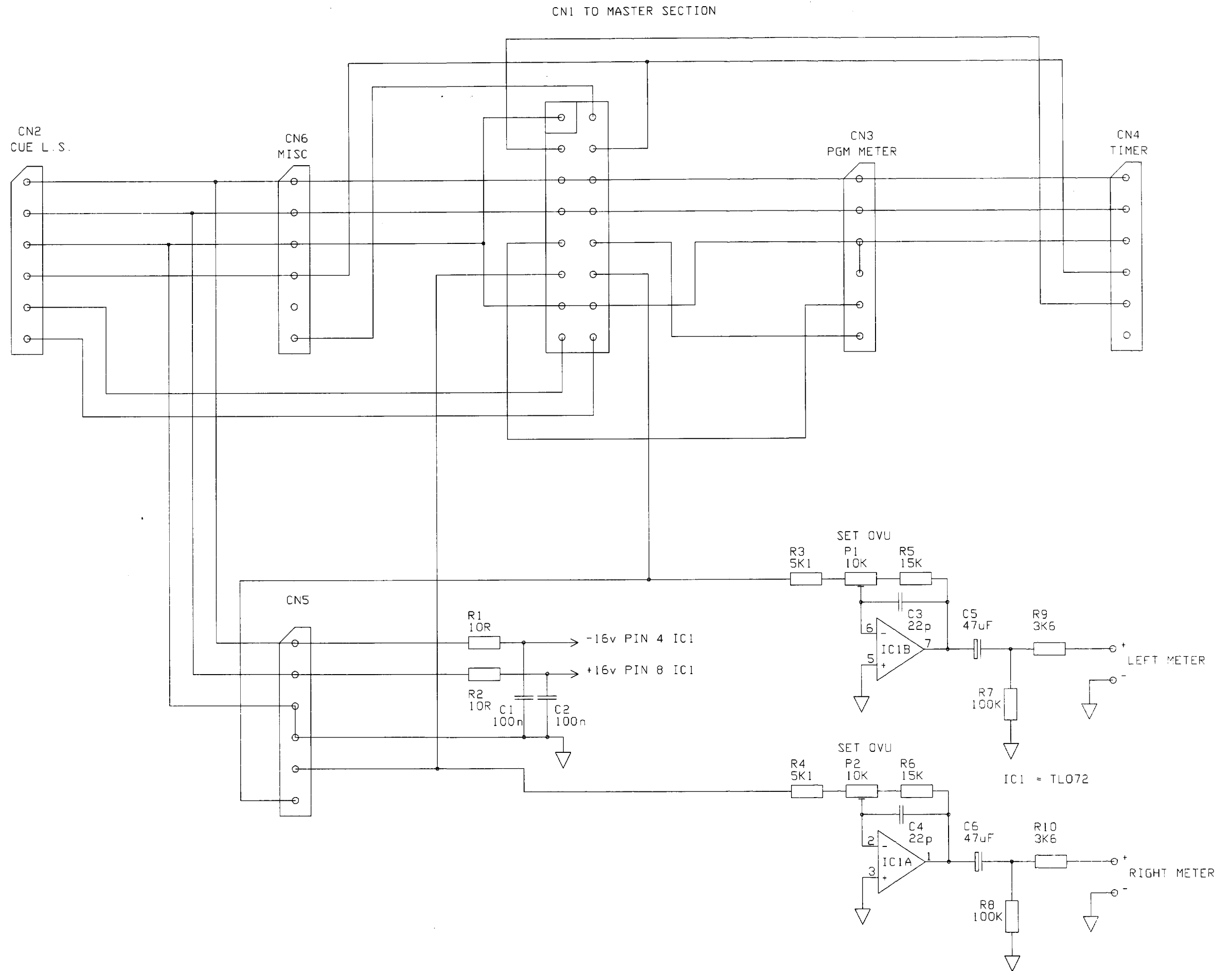
RM1d-G3 Headphone Subcard

ED4209 Issue 2

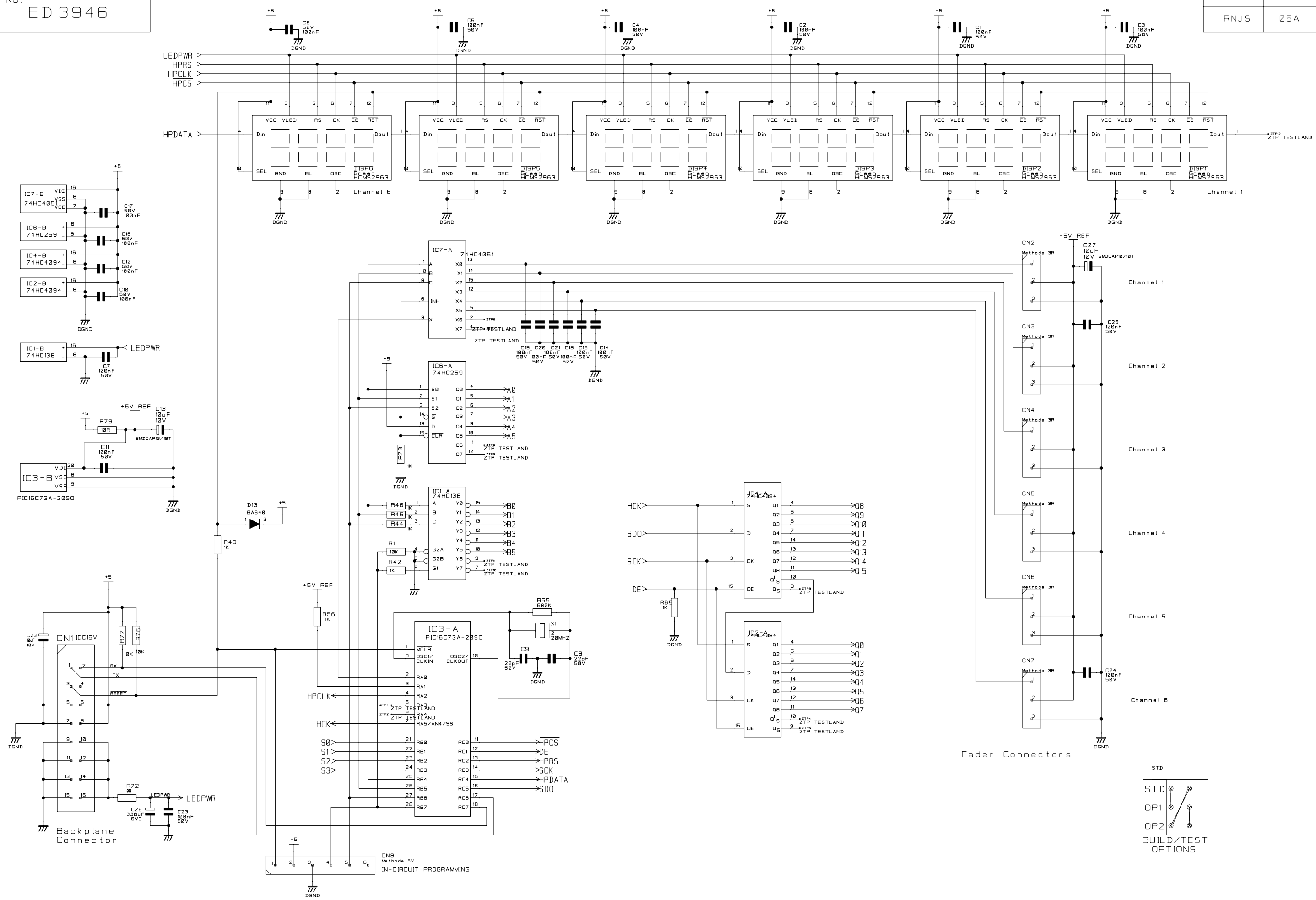
RM1d-G3 Master Backplane

ED4212 Issue 1

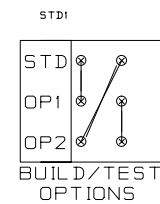
RM1d Lexichip



INITIAL	ISSUE	DATE
RNJS	05A	11-04-02



Fader Connectors



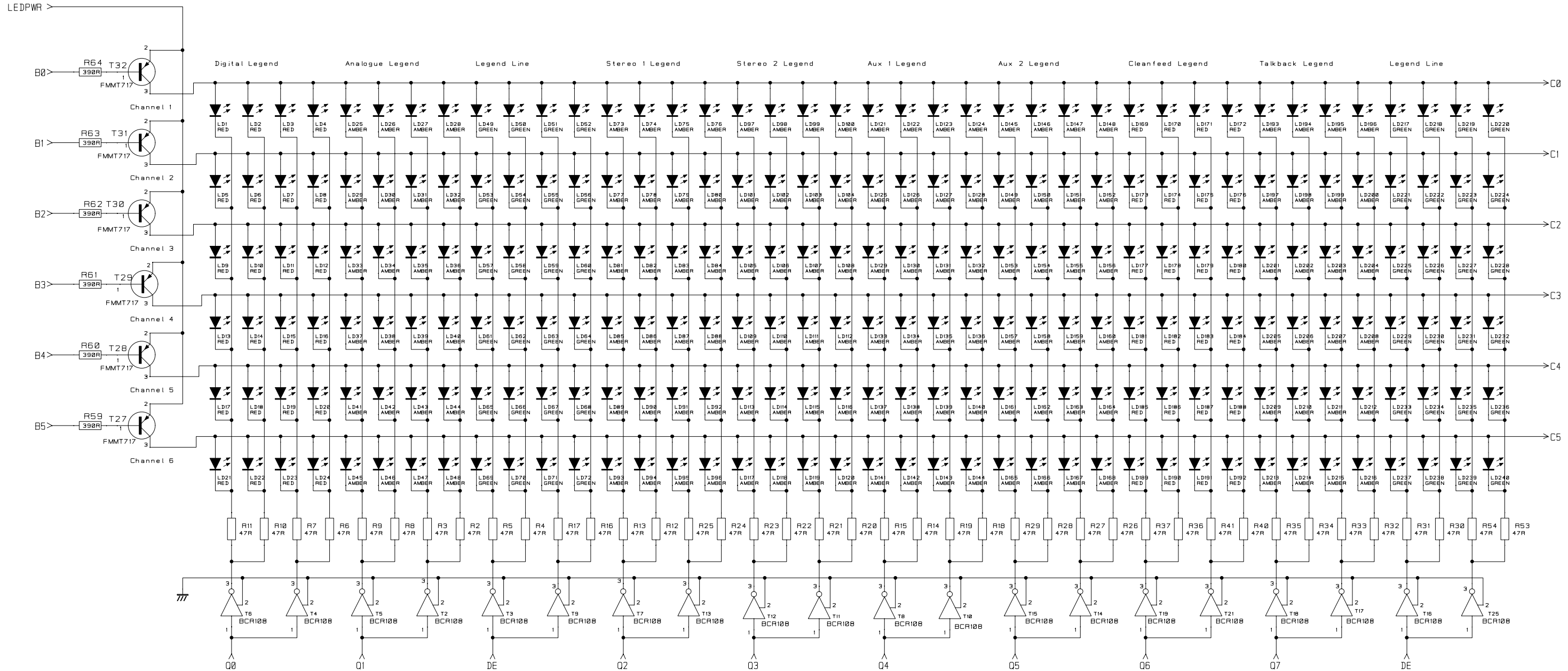
SOUNDCRAFT OWNS THE COPYRIGHT OF THIS DRAWING WHICH IS NOT TO BE COPIED, IN PART OR IN WHOLE TO A THIRD PARTY WITHOUT WRITTEN PERMISSION.

NOTES

DRN. GM
23-02-99

SOUNDCRAFT
HARMAN INT. INDUSTRIES LTD.
CRANBORNE HOUSE,
CRANBORNE ROAD,
POTTERS BAR,
HERTS. EN6 3JN.
TEL: 01707 665000
FAX: 01707 660482

TITLE
RM1d
Input Control Surface
DRG NO. ED 3946



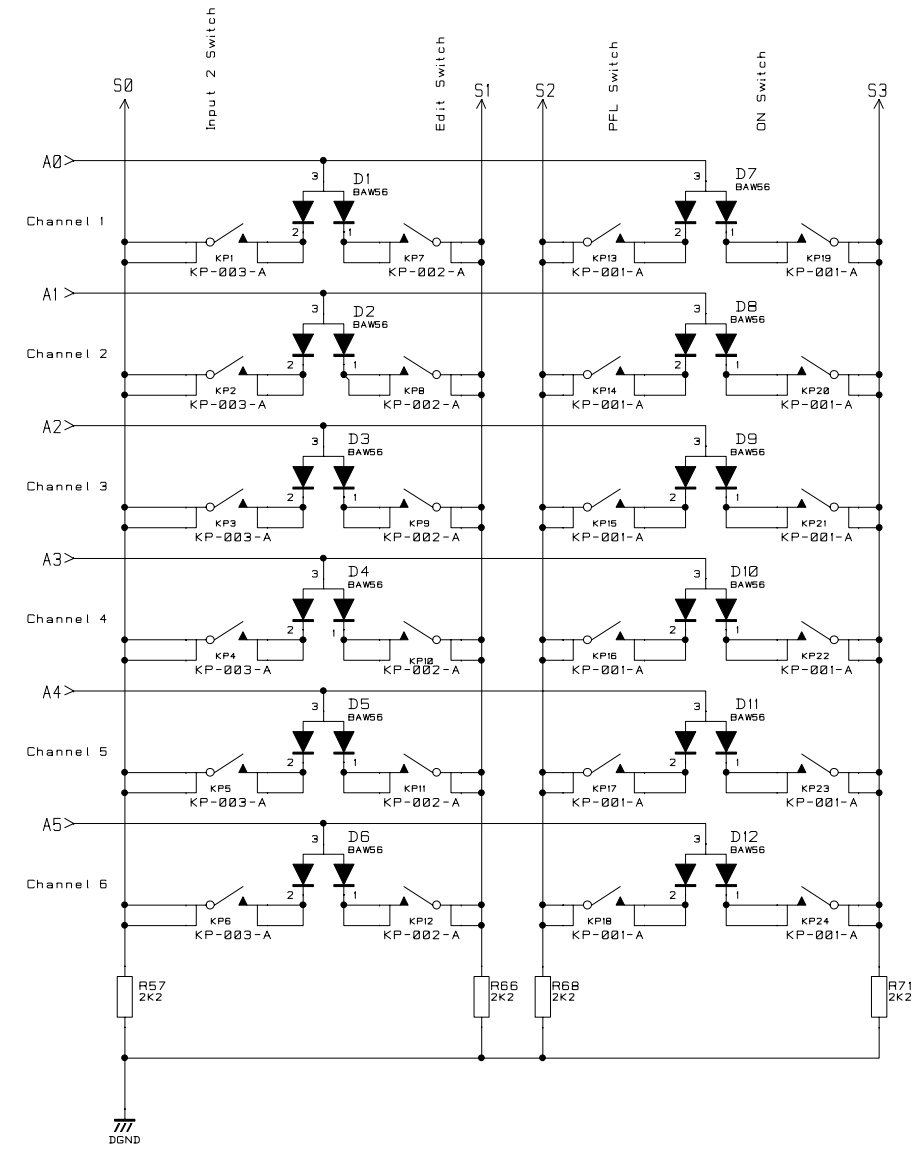
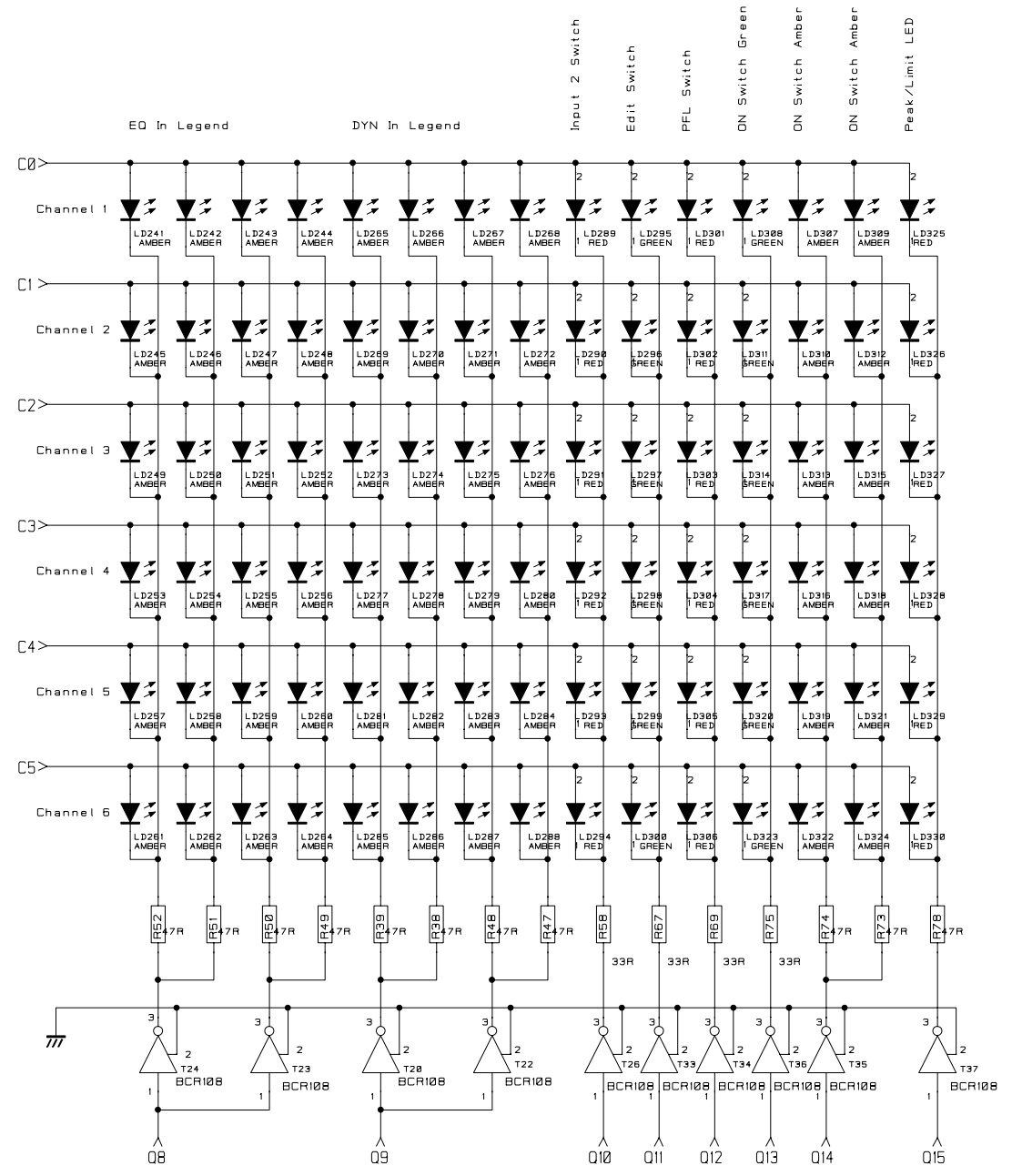
SOUNDCRAFT OWNS THE COPYRIGHT OF THIS DRAWING WHICH IS NOT TO BE COPIED, IN PART OR IN WHOLE TO A THIRD PARTY WITHOUT WRITTEN PERMISSION.

NOTES

DRN. GM
23-02-99

SOUNDCRAFT
HARMAN INT. INDUSTRIES LTD.
CRANBORNE HOUSE,
CRANBORNE ROAD,
POTTERS BAR,
HERTS. EN6 3JN.
TEL: 01707 665000
FAX: 01707 660482

TITLE
RM1d
Input Control Surface



SOUNDCRAFT OWNS THE COPYRIGHT OF THIS DRAWING WHICH IS NOT TO BE COPIED, IN PART OR IN WHOLE TO A THIRD PARTY WITHOUT WRITTEN PERMISSION.

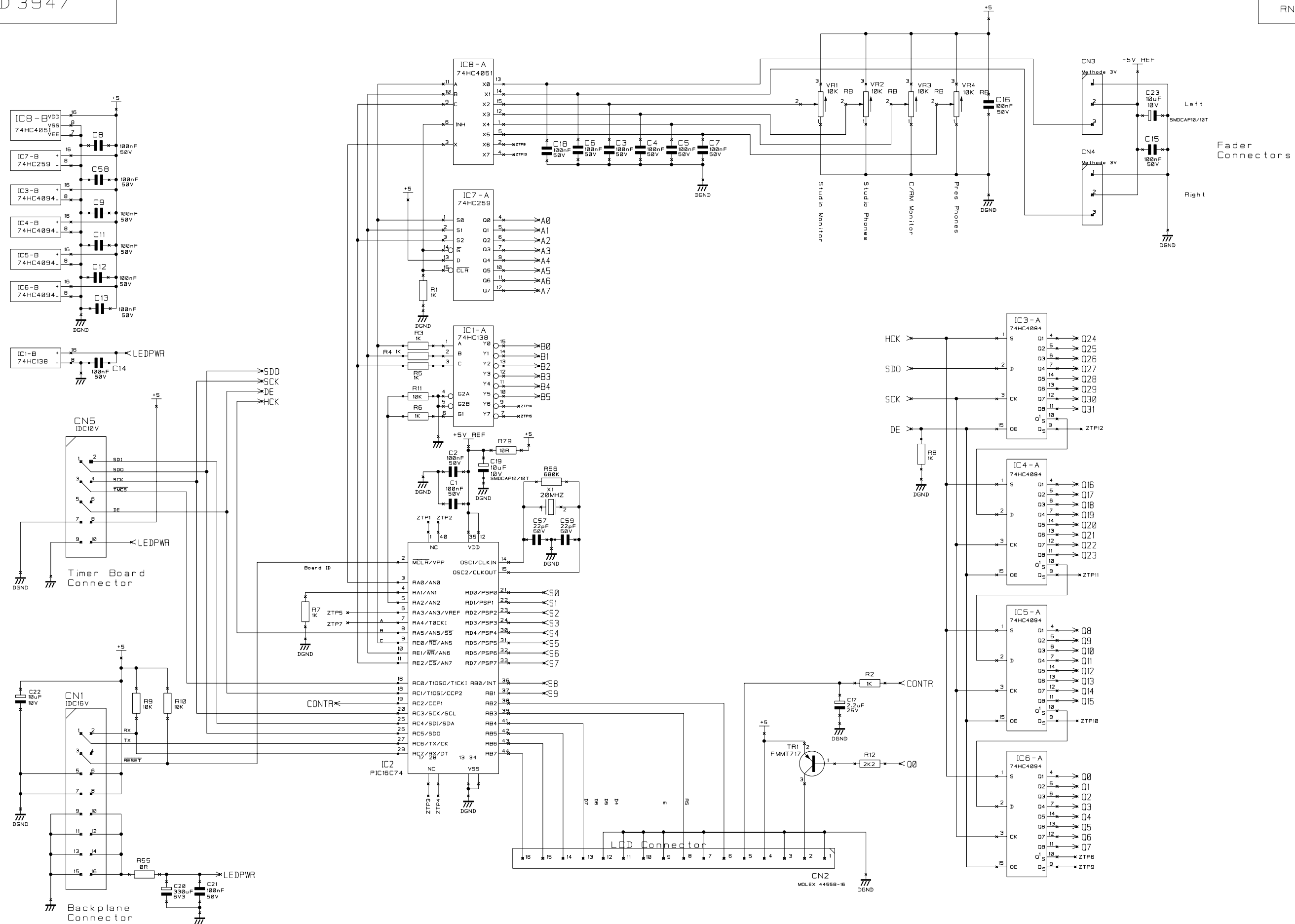
NOTES

DRN. GM
23-02-99

SOUNDCRAFT
HARMAN INT. INDUSTRIES LTD.
CRANBORNE HOUSE,
CRANBORNE ROAD,
POTTERS BAR,
HERTS. EN6 3JN.
TEL: 01707 665000
FAX: 01707 660482

TITLE
RM1d
Input Control Surface

DRG NO. ED 3946



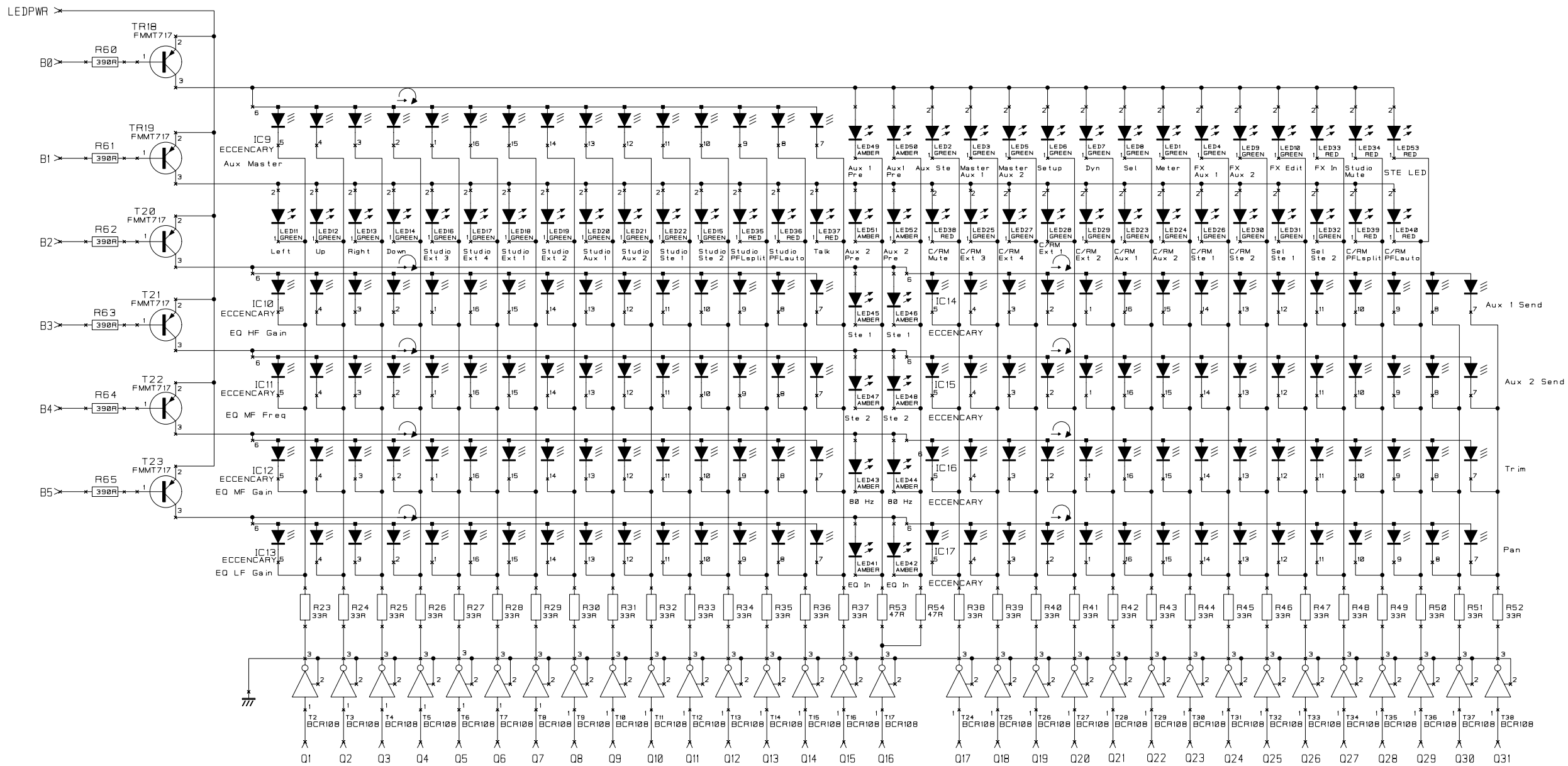
SOUNDCRAFT OWNS THE COPYRIGHT OF THIS DRAWING WHICH IS NOT TO BE COPIED, IN PART OR IN WHOLE TO A THIRD PARTY WITHOUT WRITTEN PERMISSION.

NOTES

DRN. GM
17-07-98

SOUNDCRAFT
HARMAN INT. INDUSTRIES LTD.
CRANBORNE HOUSE,
CRANBORNE ROAD,
POTTERS BAR,
HERTS. EN6 3JN.
TEL: 01707 665000
FAX: 01707 660482

TITLE
RM1d
Master Control Surface
Logic



SOUNDCRAFT OWNS THE COPYRIGHT OF THIS DRAWING WHICH IS NOT TO BE COPIED, IN PART OR IN WHOLE TO A THIRD PARTY WITHOUT WRITTEN PERMISSION.

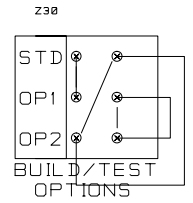
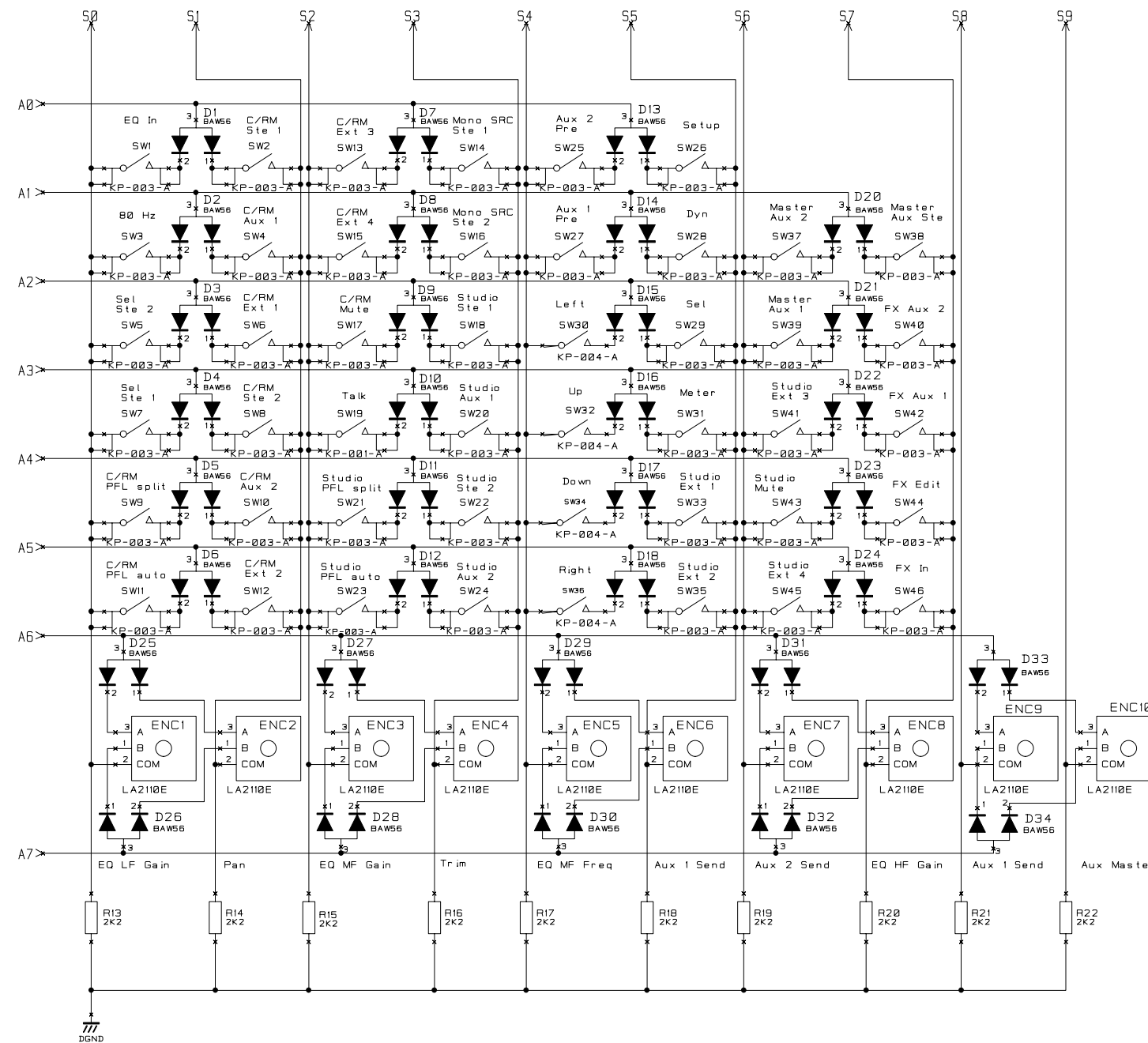
NOTES

DRN. GM
17-07-98

SOUNDCRAFT
HARMAN INT. INDUSTRIES LTD.
CRANBORNE HOUSE,
CRANBORNE ROAD,
POTTERS BAR,
HERTS. EN6 3JN.
TEL: 01707 665000
FAX: 01707 660482

TITLE
RM1d
Master Control Surface
Led Matrix

DRG NO. ED 3947



SOUNDCRAFT OWNS THE COPYRIGHT OF THIS DRAWING WHICH IS NOT TO BE COPIED, IN PART OR IN WHOLE TO A THIRD PARTY WITHOUT WRITTEN PERMISSION.

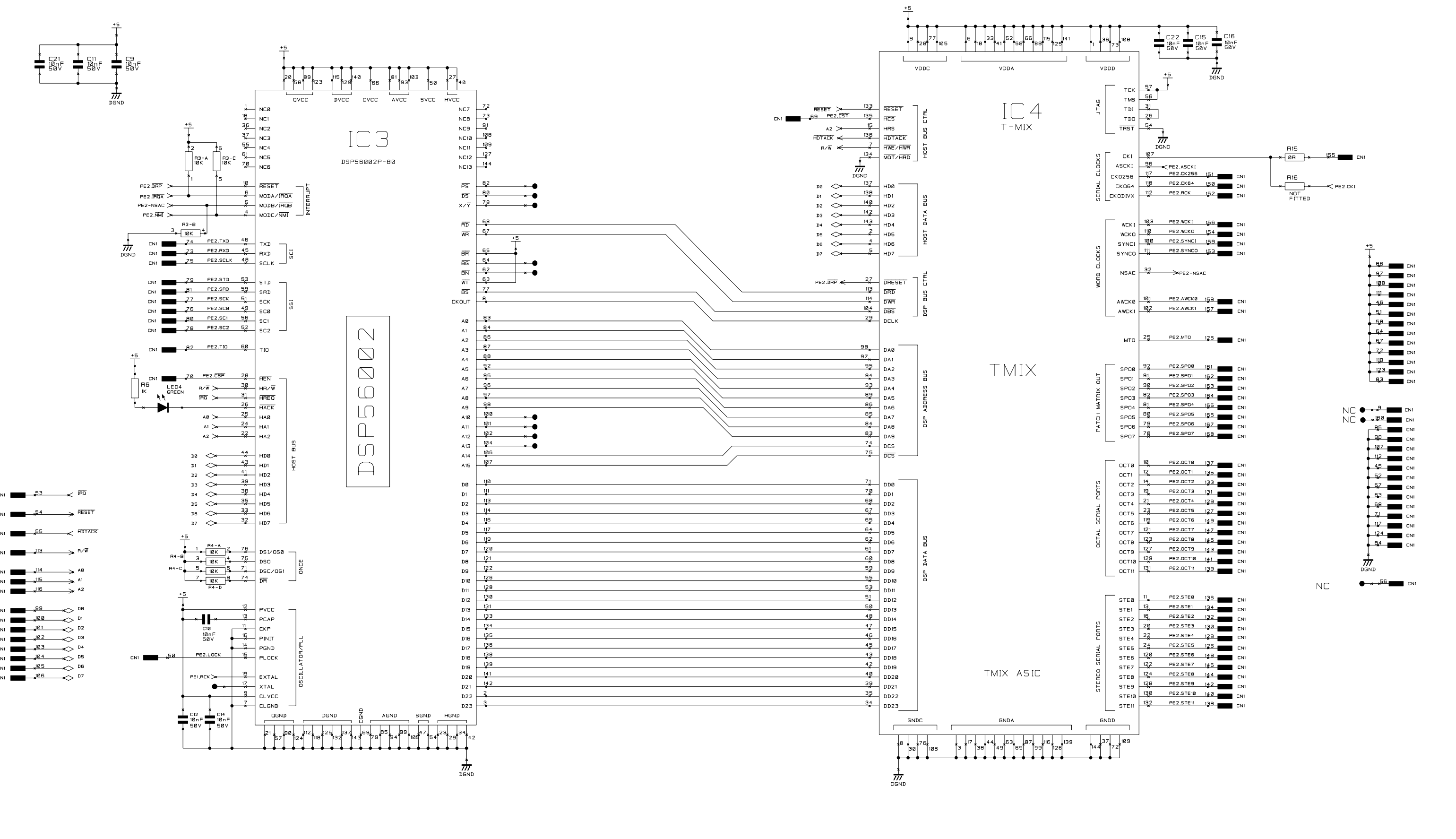
NOTES

DRN. GM
17-07-98

SOUNDCRAFT
HARMAN INT. INDUSTRIES LTD.
CRANBORNE HOUSE,
CRANBORNE ROAD,
POTTERS BAR,
HERTS. EN6 3JN.
TEL: 01707 665000
FAX: 01707 660482

TITLE
RM1d
Master Control Surface
Switch Matrix

DRG NO. ED 3947

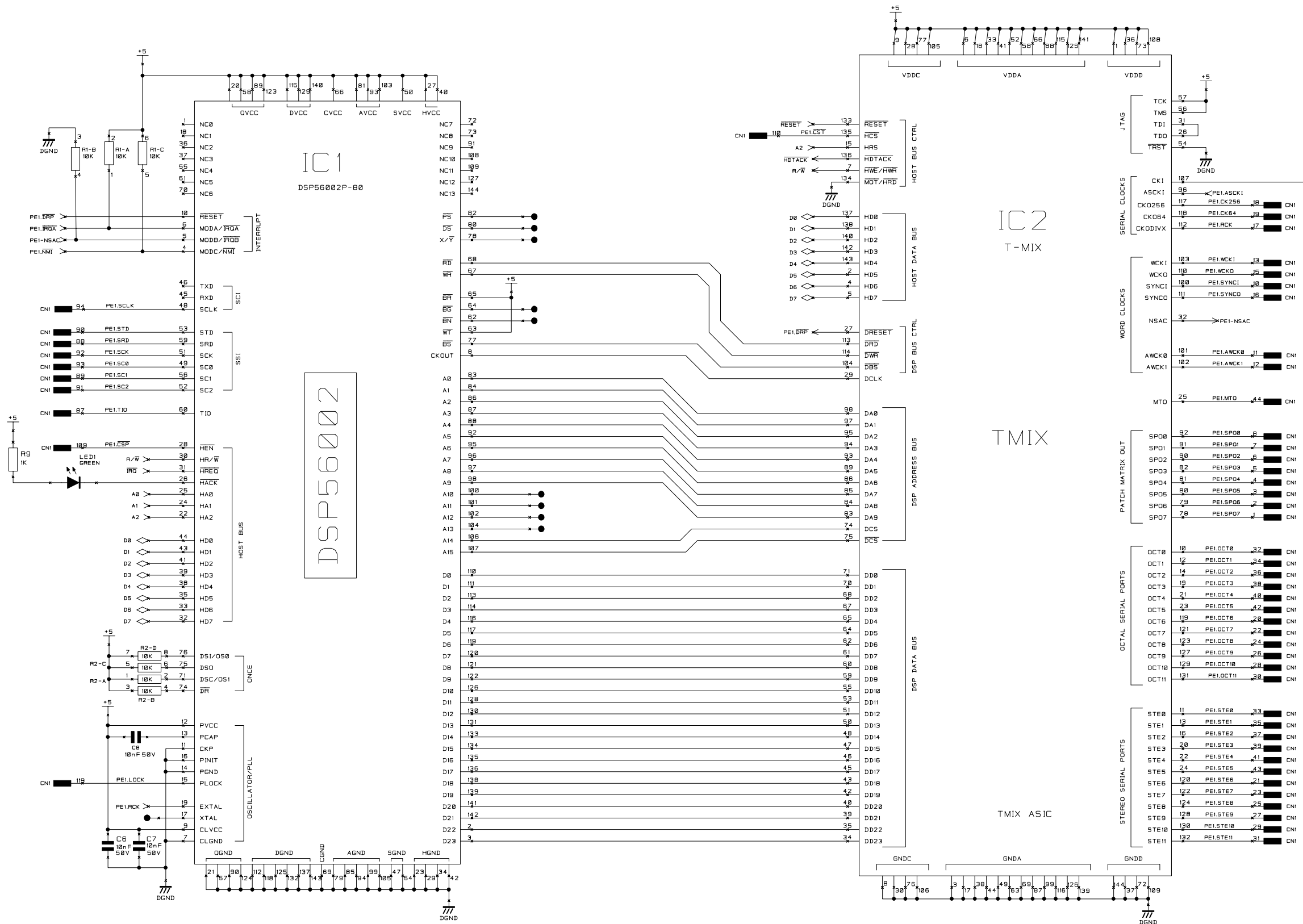


DRN.	DMR	CN No.	INITIAL	DATE	ISSUE	TITLE	
		6921	PMD	14-02-01	03B	RM1d Double-SPE-DIMM STANDARD DSPs	
			RNJS	25-09-00	04A		
MASTER IF RED							
						DRG NO. 3948-03B	SHT. 1 OF 3

SOUNDCRAFT OWN THE COPYRIGHT OF THIS DRAWING WHICH IS NOT TO BE COPIED, REPRODUCED OR DISCLOSED, IN PART OR WHOLE TO A THIRD PARTY WITHOUT PRIOR WRITTEN PERMISSION.

SOUNDCRAFT
HARMAN INT. INDUSTRIES LTD.
CRANBORNE HOUSE,
CRANBORNE ROAD,
POTTERS BAR,
HERTS. EN6 3JN.
TEL: 01707 665000
FAX: 01707 660482

NOTES



SOUNDCRAFT OWN THE COPYRIGHT OF THIS DRAWING WHICH IS NOT TO BE COPIED, REPRODUCED OR DISCLOSED, IN PART OR WHOLE TO A THIRD PARTY WITHOUT PRIOR WRITTEN PERMISSION.

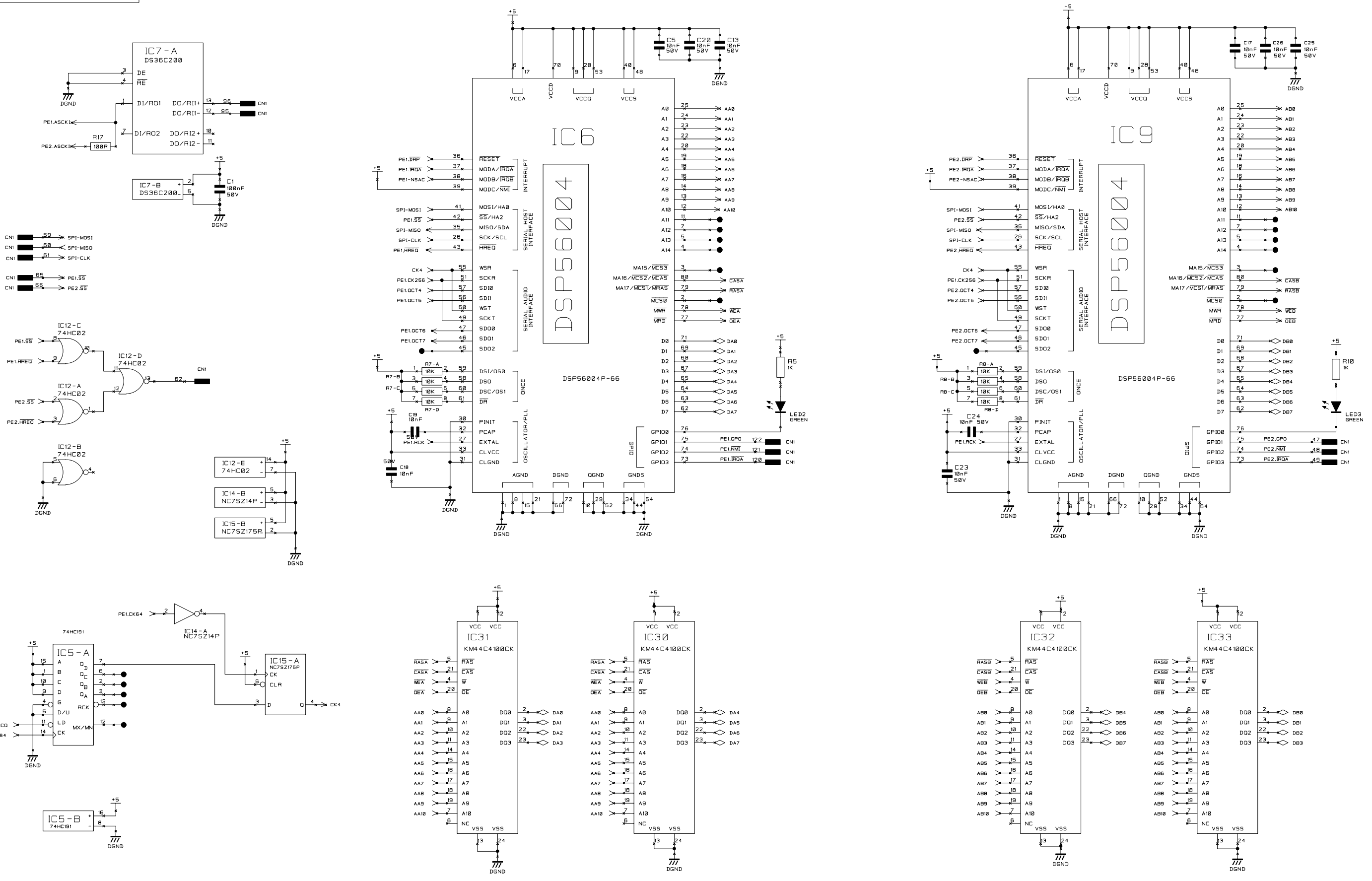
SOUNDCRAFT
HARMAN INT. INDUSTRIES LTD.
CRANBORNE HOUSE,
CRANBORNE ROAD,
POTTERS BAR,
HERTS. EN6 3JN.
TEL: 01707 665000
FAX: 01707 660482

NOTES

DRN.	DMR
DATE	
MASTER IF RED	

CN No.	INITIAL	DATE	ISSUE
	RNJS	25-09-00	03A
6921	PMD	14-02-01	03B
	RNJS	25-09-00	04A

TITLE	RM1d Double-SPE-DIMM STANDARD DSPs
DRG NO.	3948-03B



SOUNDCRAFT OWN THE COPYRIGHT OF THIS DRAWING WHICH IS NOT TO BE COPIED, REPRODUCED OR DISCLOSED, IN PART OR WHOLE TO A THIRD PARTY WITHOUT PRIOR WRITTEN PERMISSION.

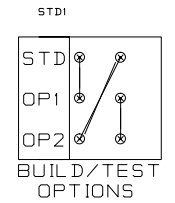
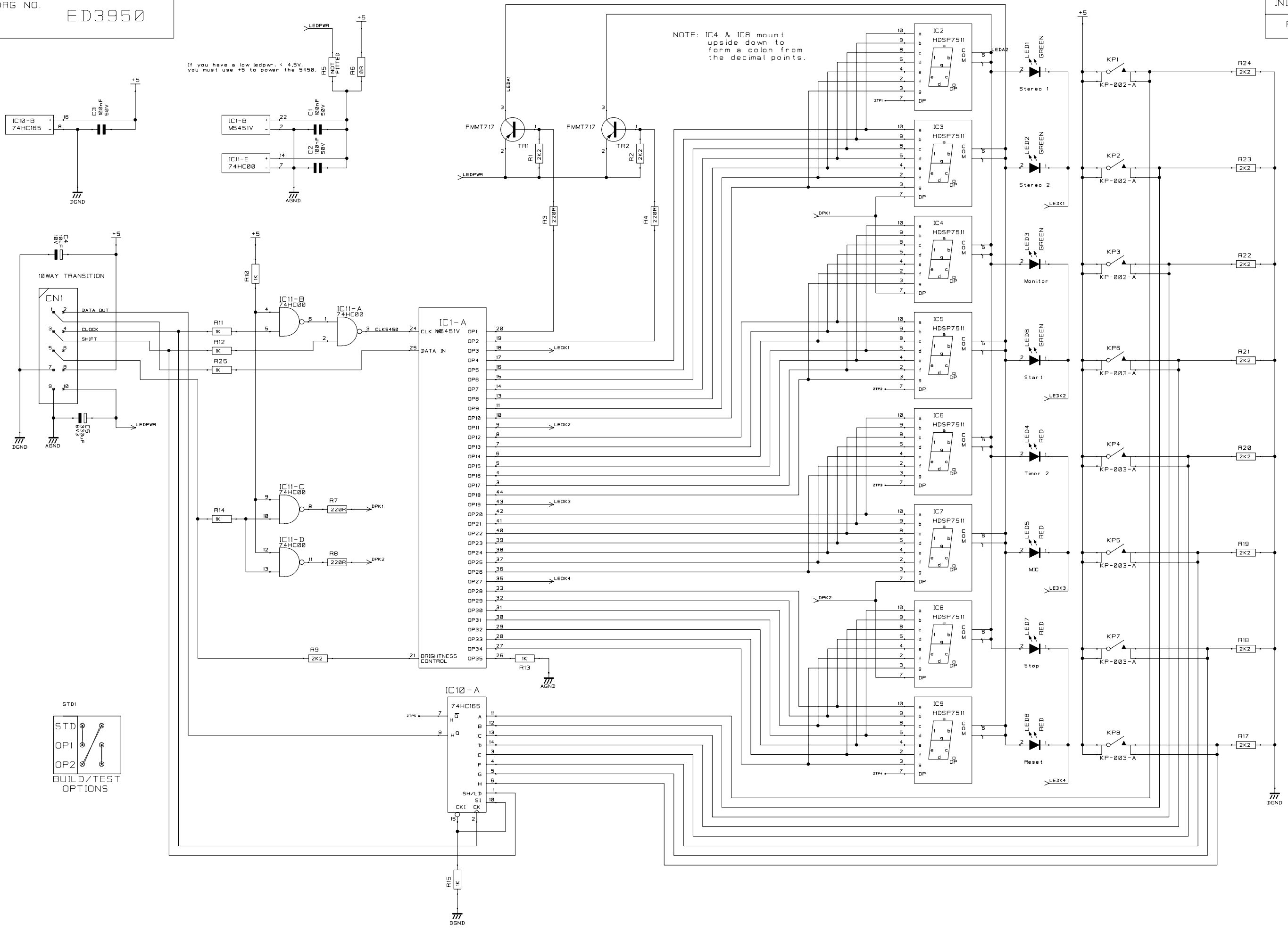
SOUNDCRAFT
HARMAN INT. INDUSTRIES LTD.
CRANBORNE HOUSE,
CRANBORNE ROAD,
POTTERS BAR,
HERTS. EN6 3JN.
TEL: 01707 665000
FAX: 01707 660482

NOTES

DRN.	DMR	CN No.	INITIAL	DATE	ISSUE	TITLE
		6921	RNJS	25-09-00	03A	RM1d Double-SPE-DIMM STANDARD DSPs
DATE			PMD	14-02-01	03B	
			RNJS	25-09-00	04A	
MASTER IF RED						

If you have a low ledpw. < 4.5V, you must use +5 to power the 5450.

NOTE: IC4 & IC8 mount upside down to form a colon from the decimal points.



SOUNDCRAFT OWNS THE COPYRIGHT OF THIS DRAWING WHICH IS NOT TO BE COPIED, IN PART OR IN WHOLE TO A THIRD PARTY WITHOUT WRITTEN PERMISSION.

NOTES

DRN. GM
DATE 02-02-99

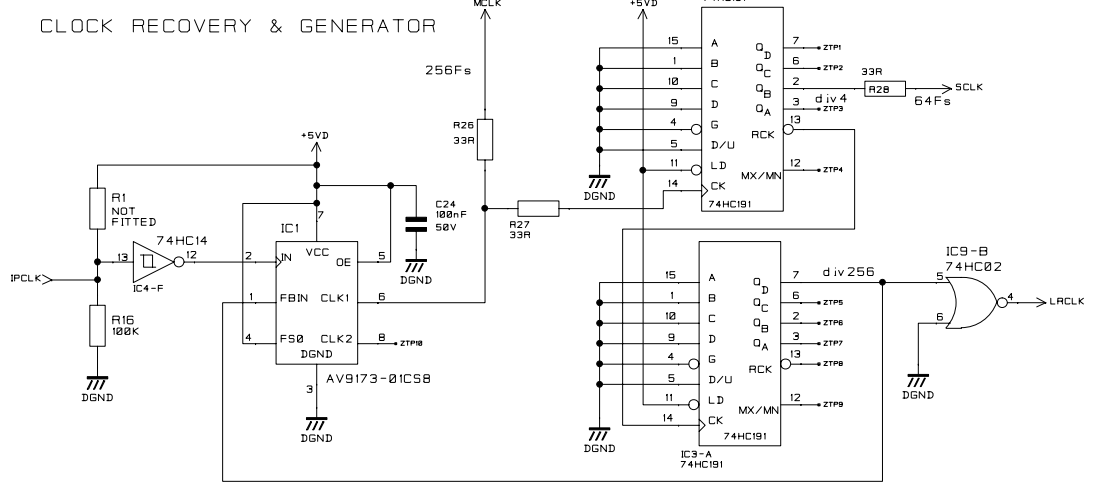
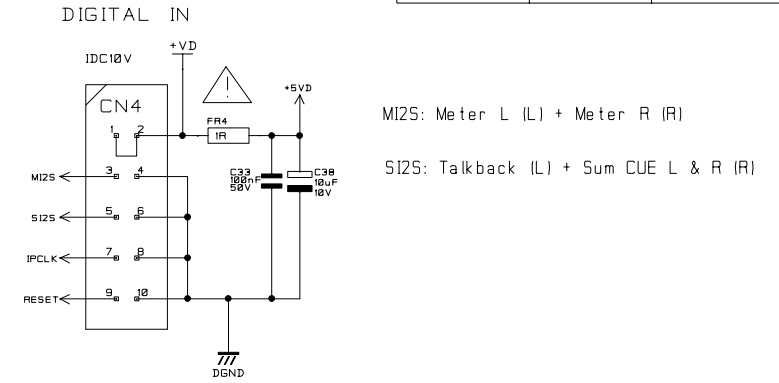
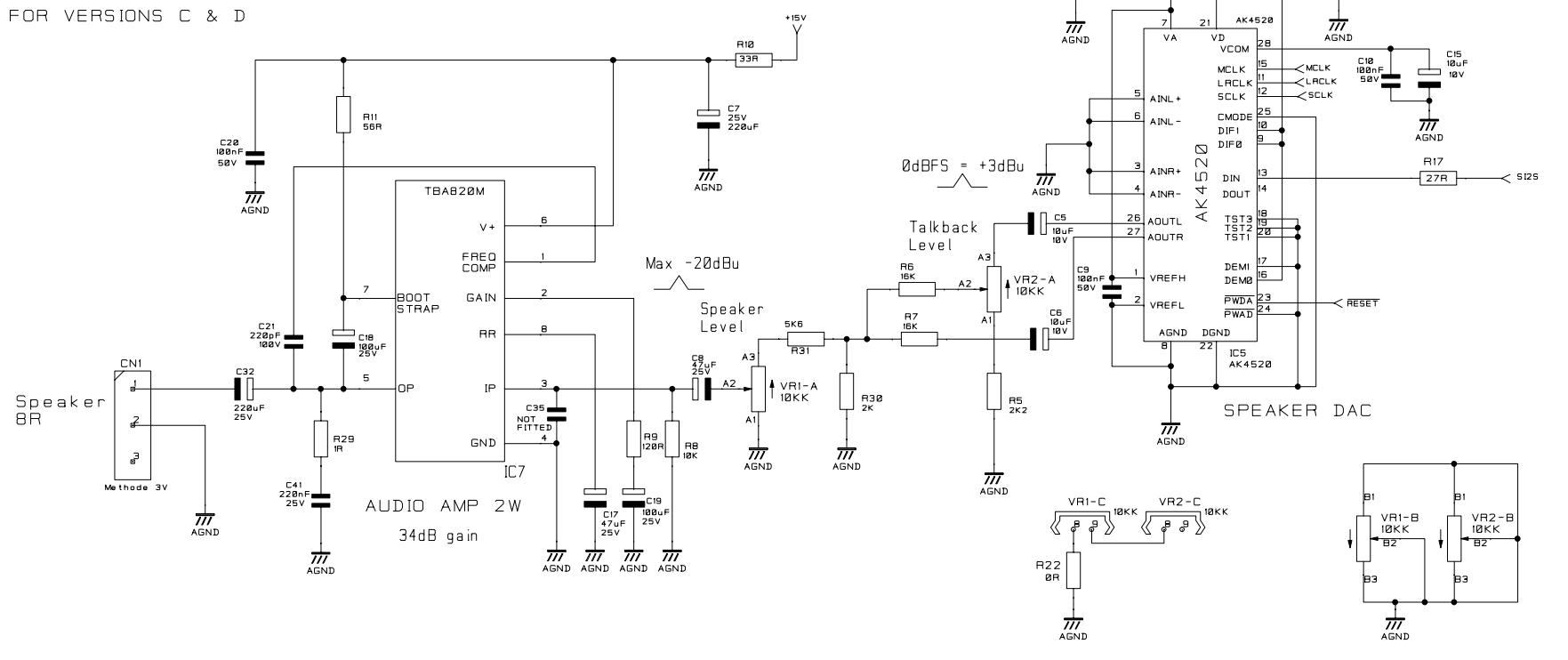
SOUNDCRAFT
HARMAN INT. INDUSTRIES LTD.
CRANBORNE HOUSE,
CRANBORNE ROAD,
POTTERS BAR,
HERTS. EN6 3JN.
TEL: 01707 665000
FAX: 01707 660482

TITLE
RM1d
Timer Module

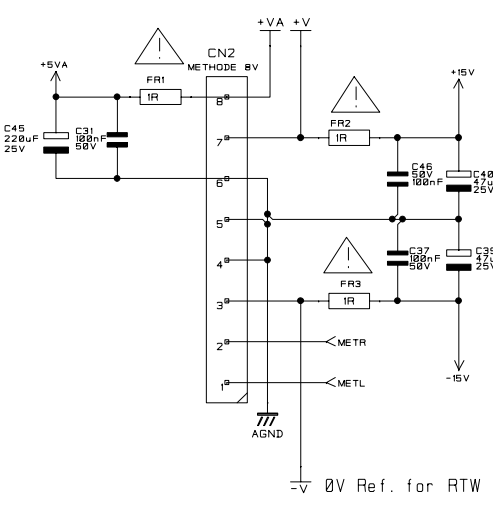
DRG NO. ED3950

INITIAL	ISSUE	DATE
DMR	04A	28-05-2002

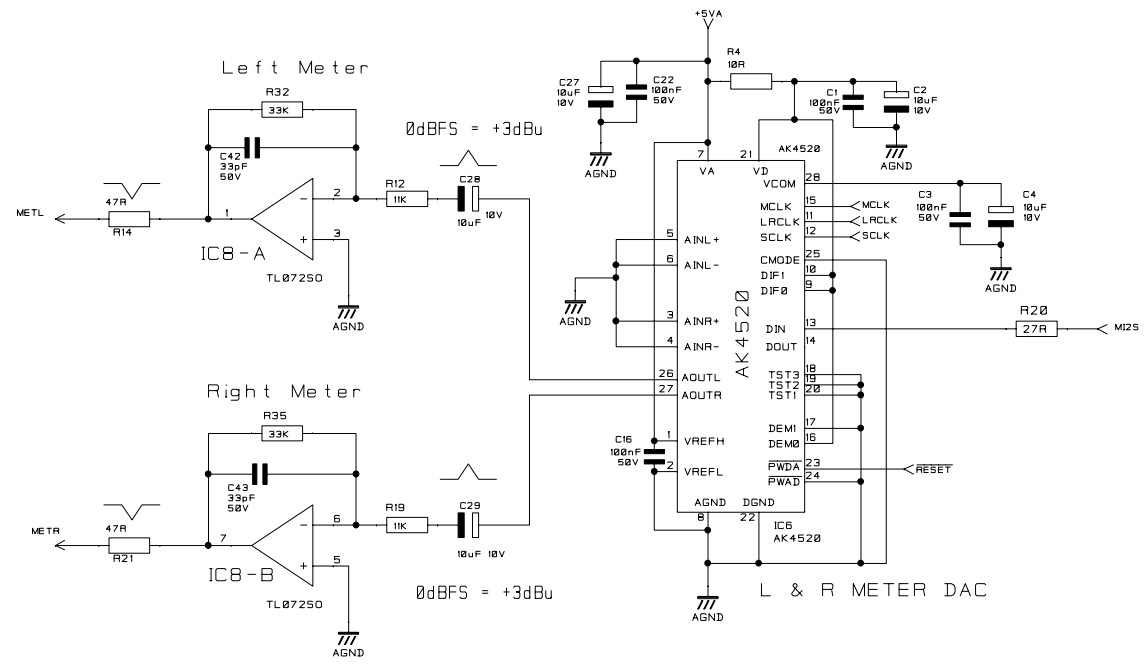
OMIT FOR VERSIONS C & D



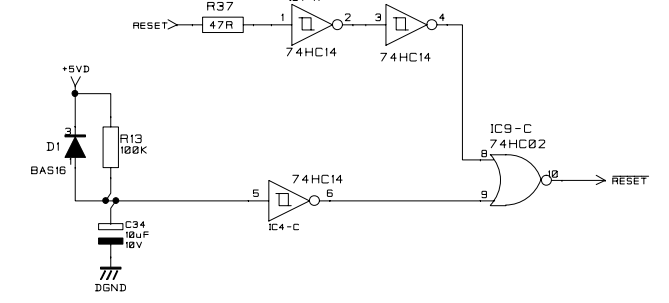
ANALOGUE POWER IN AND METERS OUT



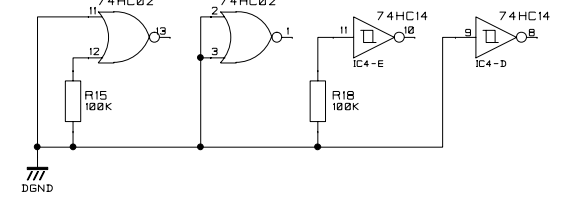
METER DRIVER CIRCUIT



RESET LOGIC



UN-USED GATES



NOTES

SOUNDCRAFT OWNS THE COPYRIGHT OF THIS DRAWING WHICH IS NOT TO BE COPIED, IN PART OR IN WHOLE TO A THIRD PARTY WITHOUT WRITTEN PERMISSION.

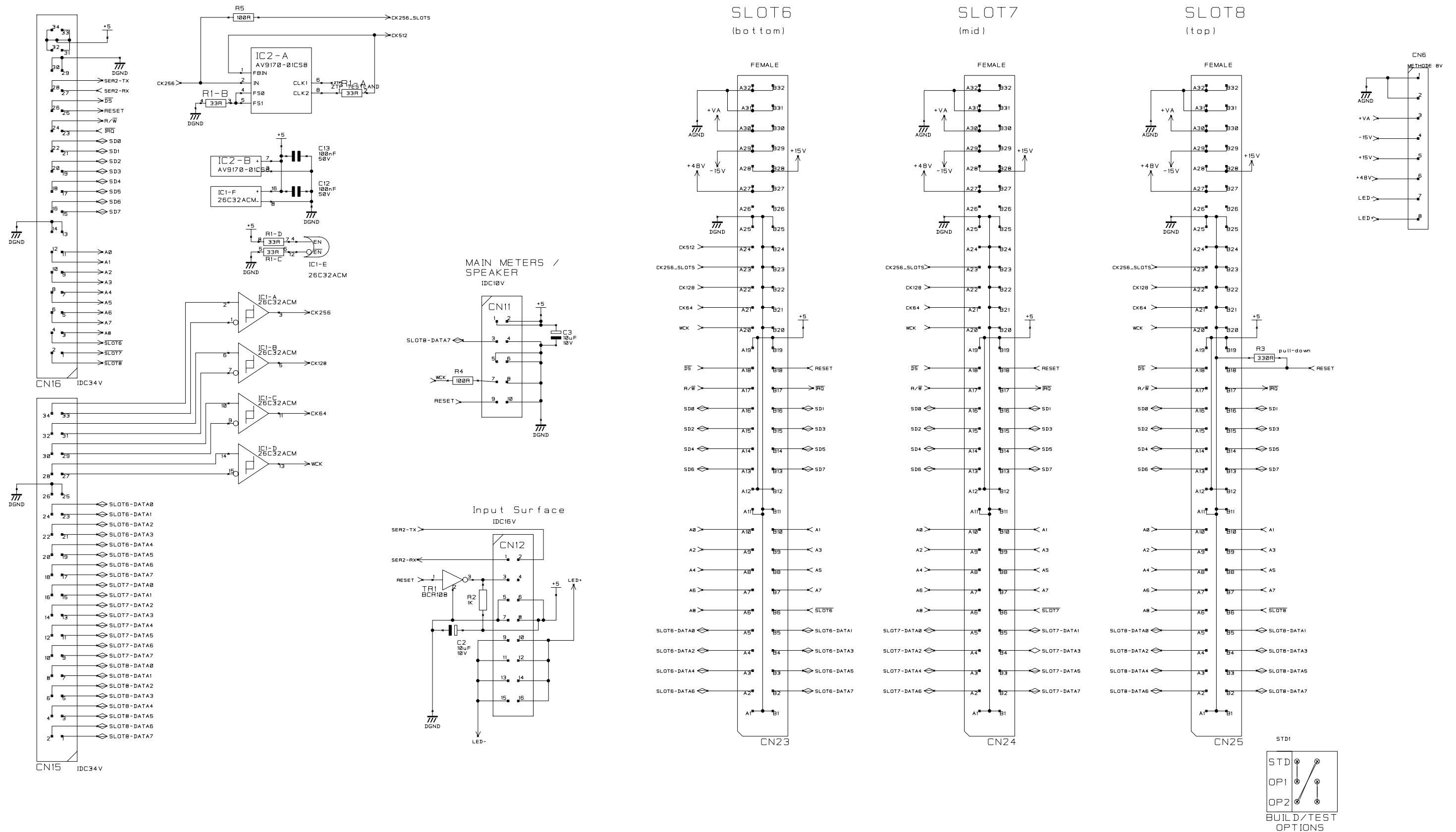
VERSION A : Fit All Components. RM105 meters and drive cards to be used.
 VERSION B : Fit All Components. RTW meters to be used - Change: R32, R35 to 82k; C42, C43 to 12pF; IC8 to OP275.
 VERSION C : Meters only - Omit Speaker DAC, speaker driver circuitry and CN1. RM105 meters and drive cards to be used.
 VERSION D : Meters only - Omit Speaker DAC, speaker driver circuitry and CN1. RTW meters to be used - Change: R32, R35 to 82k; C42, C43 to 12pF; IC8 to OP275.

DRN. DRS
22-09-98

SOUNDCRAFT
HARMAN INT. INDUSTRIES LTD.
CRANBORNE HOUSE,
CRANBORNE ROAD,
POTTERS BAR,
HERTS. EN6 3JN.
TEL: 01707 665000
FAX: 01707 660482

TITLE
RM1d
Meter /Speaker PCB

DRG NO. ED 3960



SOUNDCRAFT OWN THE COPYRIGHT OF THIS DRAWING WHICH IS NOT TO BE COPIED, REPRODUCED OR DISCLOSED, IN PART OR WHOLE TO A THIRD PARTY WITHOUT PRIOR WRITTEN PERMISSION.

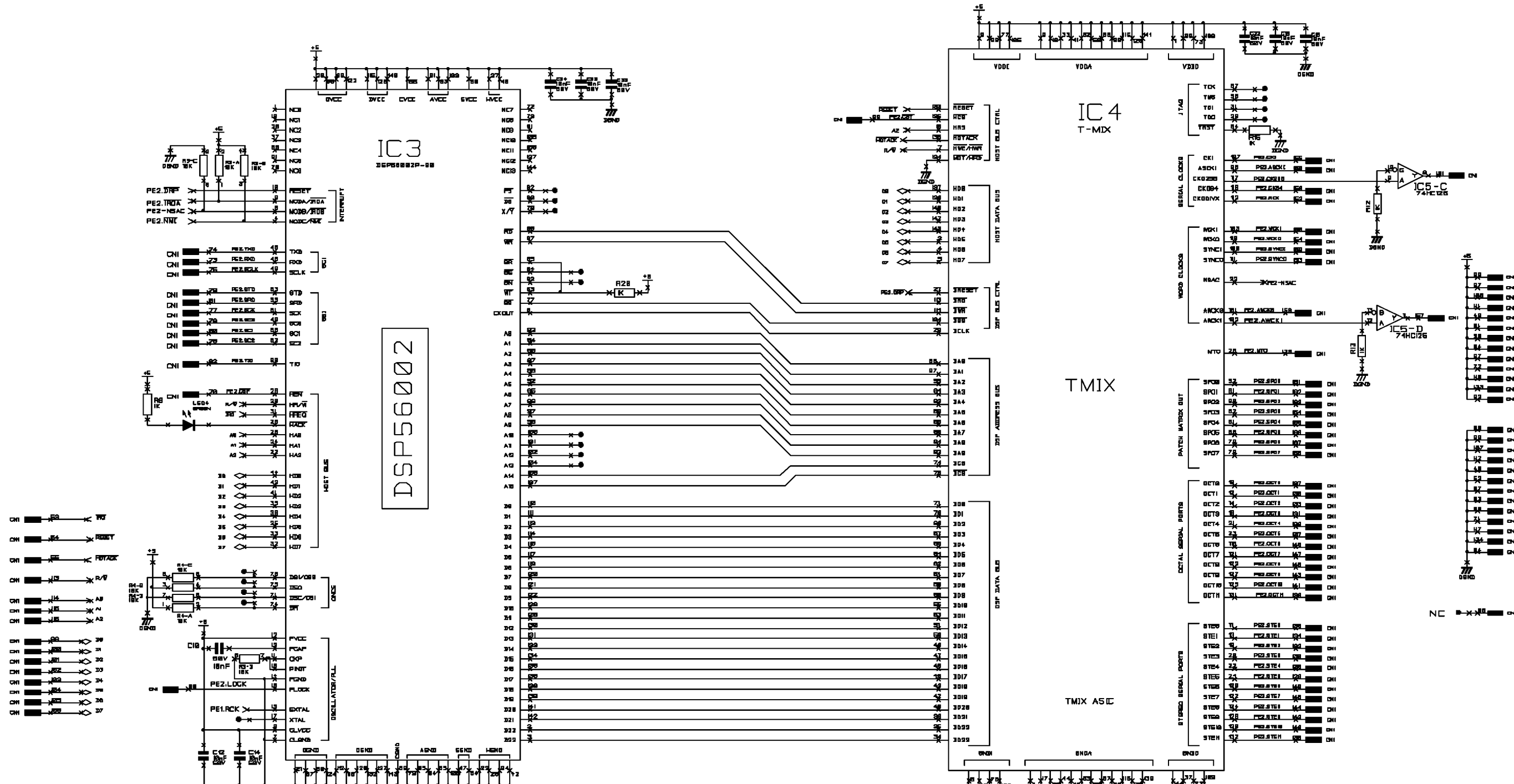
SOUNDCRAFT
HARMAN INT. INDUSTRIES LTD.
CRANBORNE HOUSE,
CRANBORNE ROAD,
POTTERS BAR,
HERTS. EN6 3JN.
TEL: 01707 665000
FAX: 01707 660482

NOTES

DRN.	SH	CN No.	INITIAL	DATE	ISSUE	TITLE
DATE	14-05-99		RB	06-3-01	03A	Rm1D Backplane Extension
MASTER IF RED						DRG NO. 3962-03A
						SHT. 1 OF 1

DRG NO.

ED4113



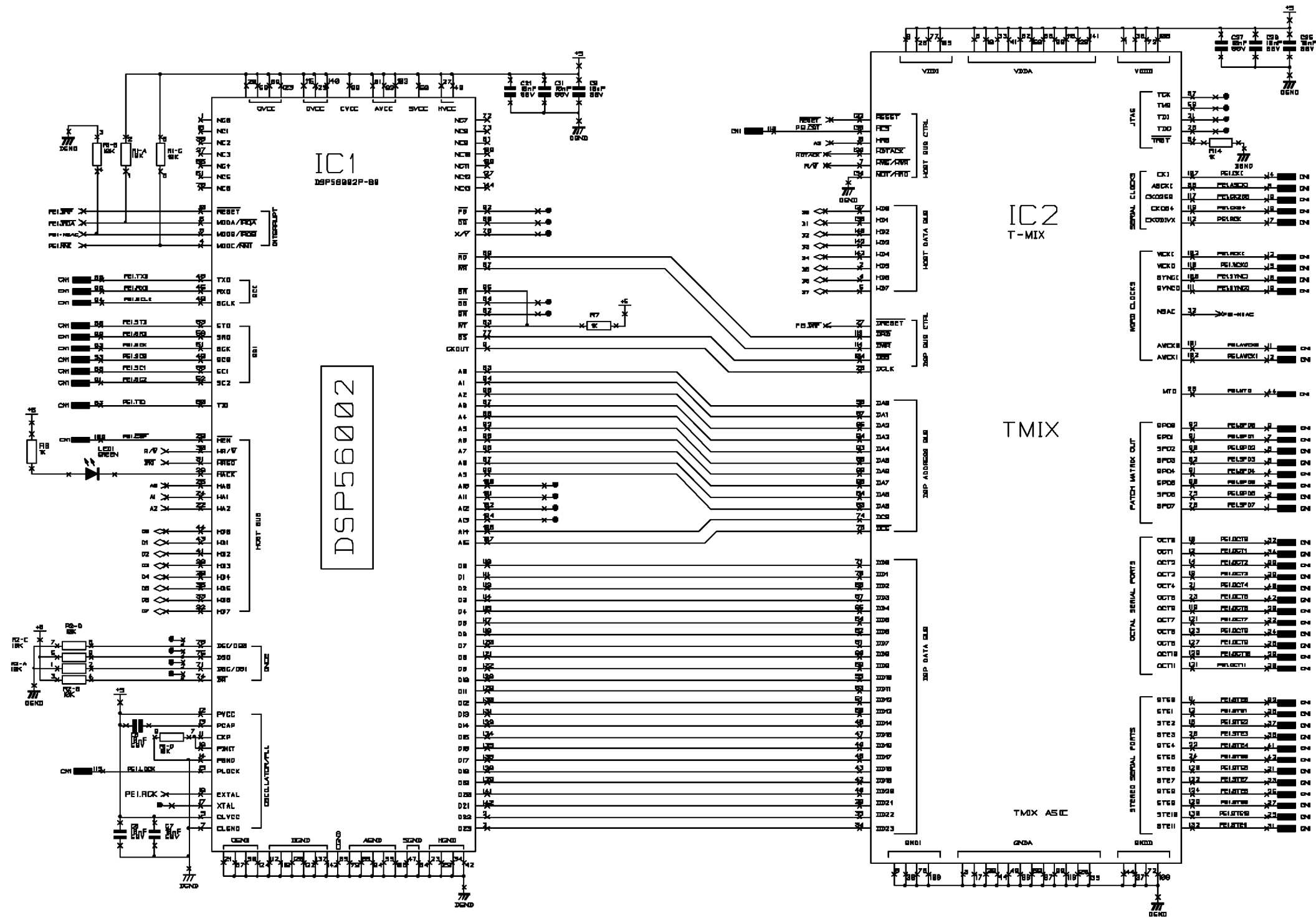
SOUNDCRAFT OWN THE COPYRIGHT OF THIS DRAWING WHICH IS NOT TO BE COPIED, REPRODUCED OR DISCLOSED, IN PART OR WHOLE TO A THIRD PARTY WITHOUT PRIOR WRITTEN PERMISSION.

SOUNDCRAFT
HARMAN INT. INDUSTRIES LTD.
CRANBORNE HOUSE,
CRANBORNE ROAD,
POTTERS BAR,
HERTS. EN6 3JN.
TEL: 01707 655000
FAX: 01707 650482

NOTES

DRN.	JMR	CN No.	INITIAL	DATE	ISSUE	TITLE DIGI 328xd Double-SPE+-DJMM STANDARD DSP
DATE		PRE-PROD	SH	28-10-00	1.01	
		ECN025	YP	18/01/02	02A	

DRG NO.	ED4113-01B	SHT.1 OF 3
---------	------------	---------------



DSP56002

IC2
T-MIX

TMIX

TMIX ASIC

SOUNDCRAFT OWN THE COPYRIGHT OF THIS DRAWING WHICH IS NOT TO BE COPIED, REPRODUCED OR DISCLOSED, IN PART OR WHOLE TO A THIRD PARTY WITHOUT PRIOR WRITTEN PERMISSION.

SOUNDCRAFT
HARMAN INT. INDUSTRIES LTD.
CRANBORNE HOUSE,
CRANBORNE ROAD,
POTTERS BAR,
HERTS. EN6 3JN.
TEL: 01707 655000
FAX: 01707 650482

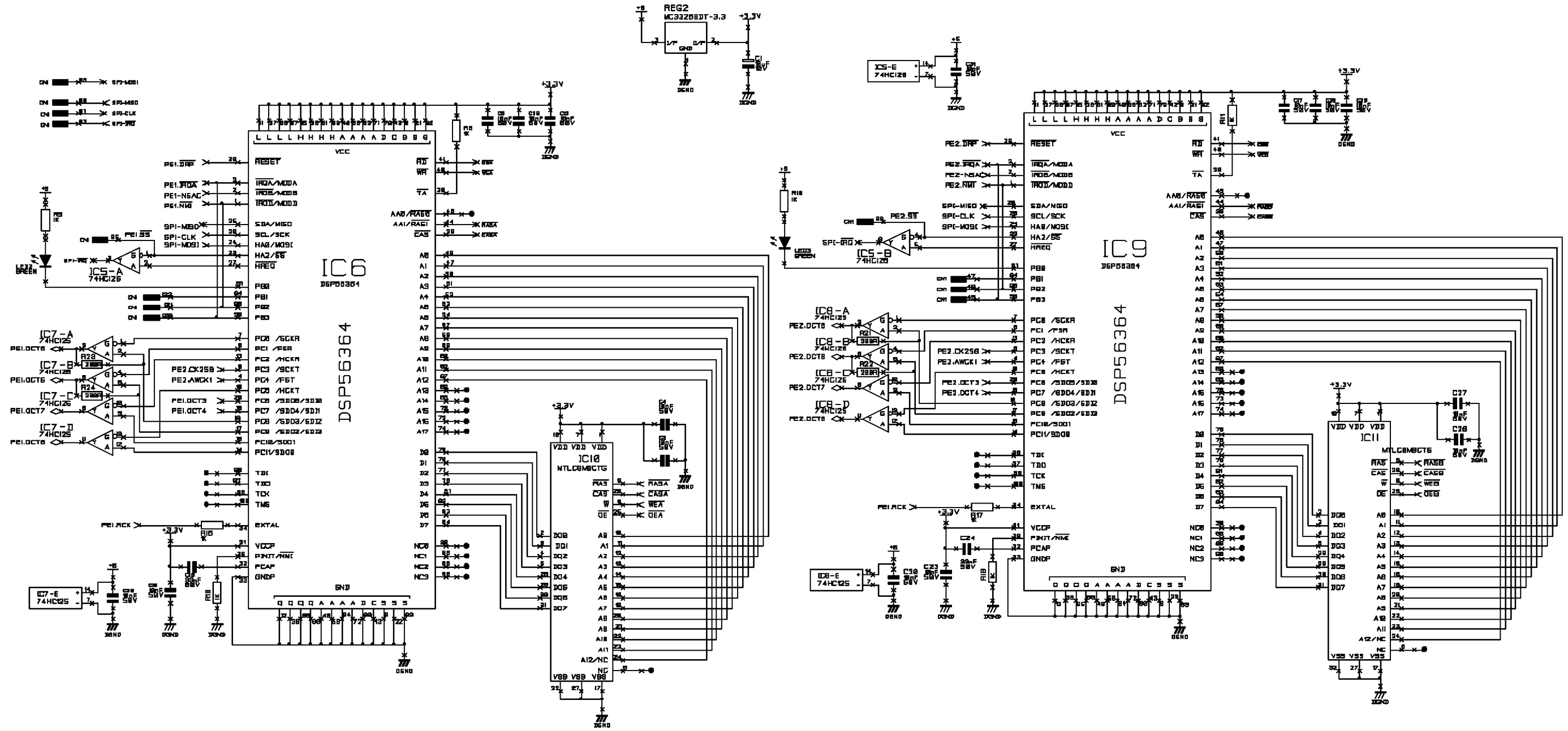
NOTES

DRN.	JMR	CN No.	INITIAL	DATE	ISSUE	TITLE DIGI 328xd Double-SPE+-DJMM STANDARD DSP
DATE		PRE-PROD	SH	28-10-00	1.01	
		ECN025	YP	18/01/02	02A	

DRG NO.	ED4113-01B	SHT.2 OF 3
---------	------------	---------------

DRG NO.

ED4113



SOUNDCRAFT OWN THE COPYRIGHT OF THIS DRAWING WHICH IS NOT TO BE COPIED, REPRODUCED OR DISCLOSED, IN PART OR WHOLE TO A THIRD PARTY WITHOUT PRIOR WRITTEN PERMISSION.

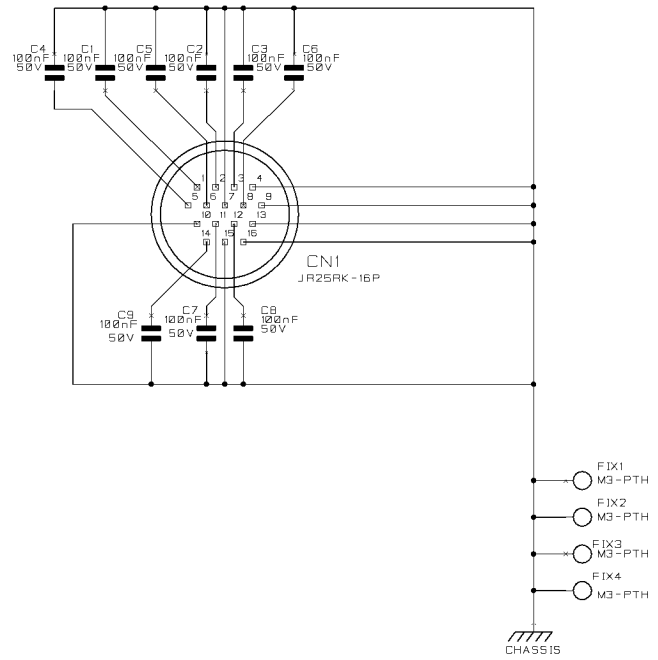
SOUNDCRAFT
HARMAN INT. INDUSTRIES LTD.
CRANBORNE HOUSE,
CRANBORNE ROAD,
POTTERS BAR,
HERTS. EN9 3JN.
TEL: 01707 655000
FAX: 01707 650482

NOTES

DRN.	JMR	CN No.	INITIAL	DATE	ISSUE	TITLE
DATE		PRE-PROD	SH	28-10-00	1.01	DIGI 328xd Double-SPE+-DJMM STANDARD DSP
		ECN025	YP	18/01/02	02A	

DRG NO. ED4113-01B SHT. 3 OF 3

DRG NO. ED4183-02A



SOUNDCRAFT OWN THE COPYRIGHT OF THIS DRAWING WHICH IS NOT TO BE COPIED, REPRODUCED OR DISCLOSED, IN PART OR WHOLE TO A THIRD PARTY WITHOUT PRIOR WRITTEN PERMISSION.

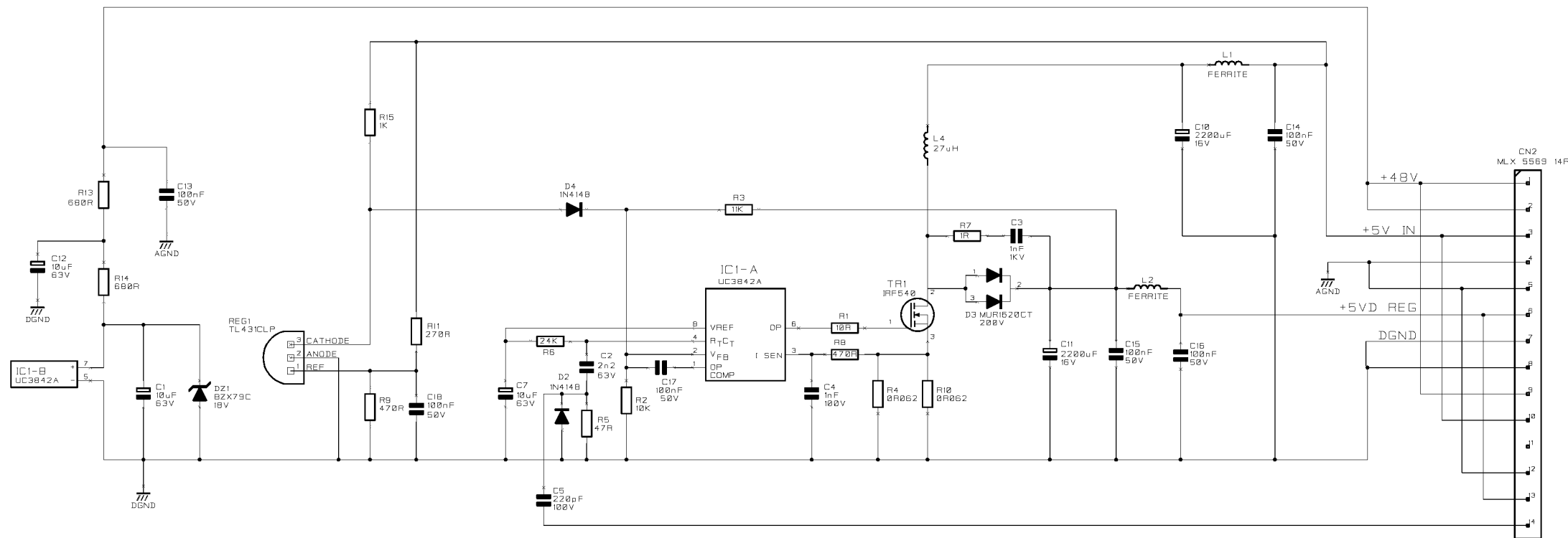
SOUNDCRAFT
 HARMAN INT. INDUSTRIES LTD.
 CRANBORNE HOUSE,
 CRANBORNE ROAD,
 POTTERS BAR,
 HERTS. EN6 3JN.
 TEL: 01707 665000
 FAX: 01707 660482

NOTES

DRN.	DCB	CN No.	INITIAL	DATE	ISSUE
DATE	21-12-01	Prototype	DCB	23/01/02	01A
MASTER IF RED		Prototype	DCB	01/05/02	02A

TITLE
RM1d
 DC Inlet Filter PCB

DRG NO. ED4183-02A SHT. 1 OF 1



SOUNDCRAFT OWN THE COPYRIGHT OF THIS DRAWING WHICH IS NOT TO BE COPIED, REPRODUCED OR DISCLOSED, IN PART OR WHOLE TO A THIRD PARTY WITHOUT PRIOR WRITTEN PERMISSION.

SOUNDCRAFT
 HARMAN INT. INDUSTRIES LTD.
 CRANBORNE HOUSE,
 CRANBORNE ROAD,
 POTTERS BAR,
 HERTS. EN6 3JN.
 TEL: 01707 665000
 FAX: 01707 660482

NOTES

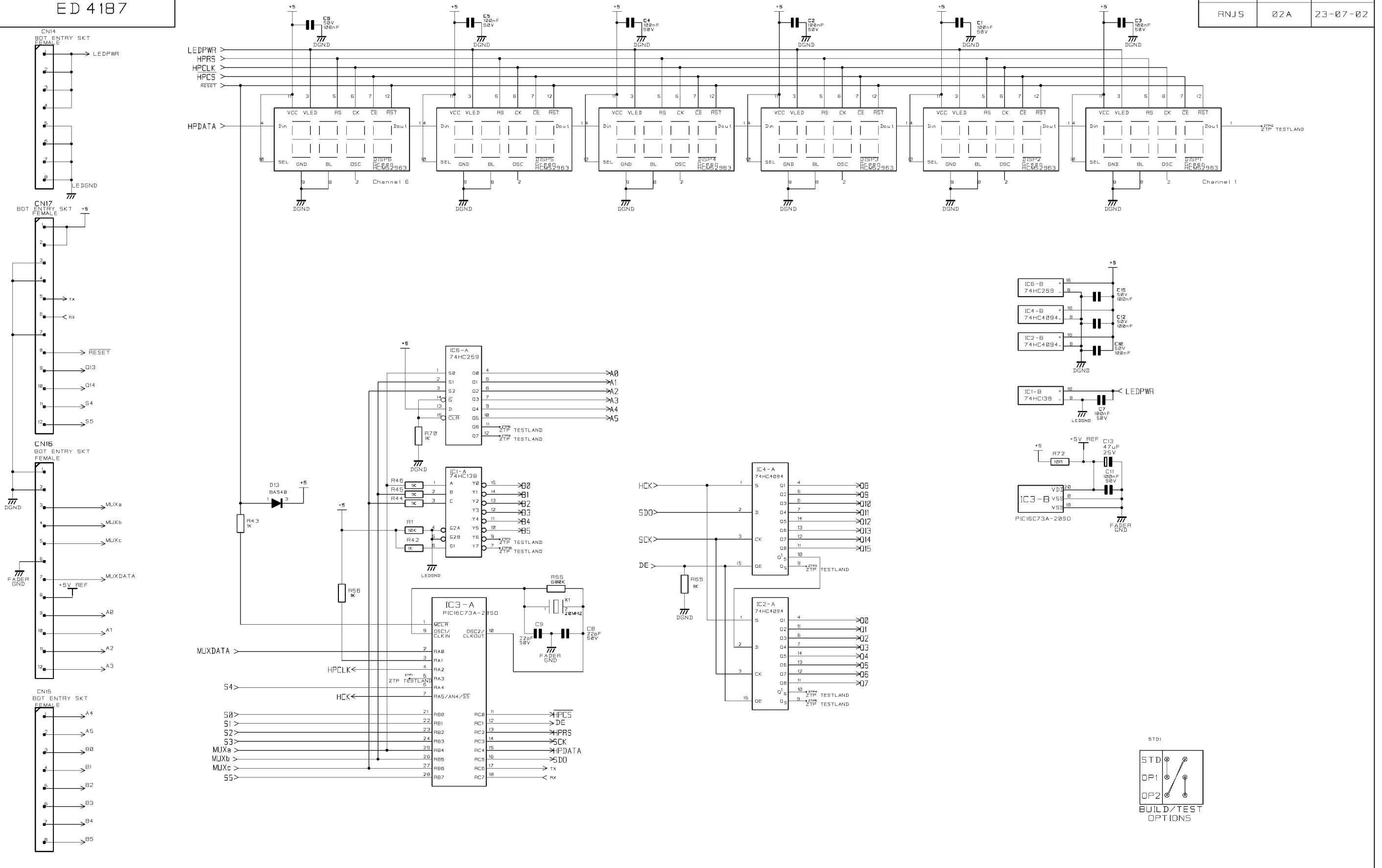
DRN.	C NEWY
DATE	31-01-02
MASTER IF RED	

CN No.	INITIAL	DATE	ISSUE
---	CN	31-01-02	01A
---	CN	25-04-02	02A
---	CN	18-06-02	03A

TITLE		RM1d +5V D REGULATOR PCB ASSEMBLY
DRG NO.		
ED4184-03A		SHT. 1 OF 1

DRG NO. ED 4187

INITIAL	ISSUE	DATE
RNJS	02A	23-07-02



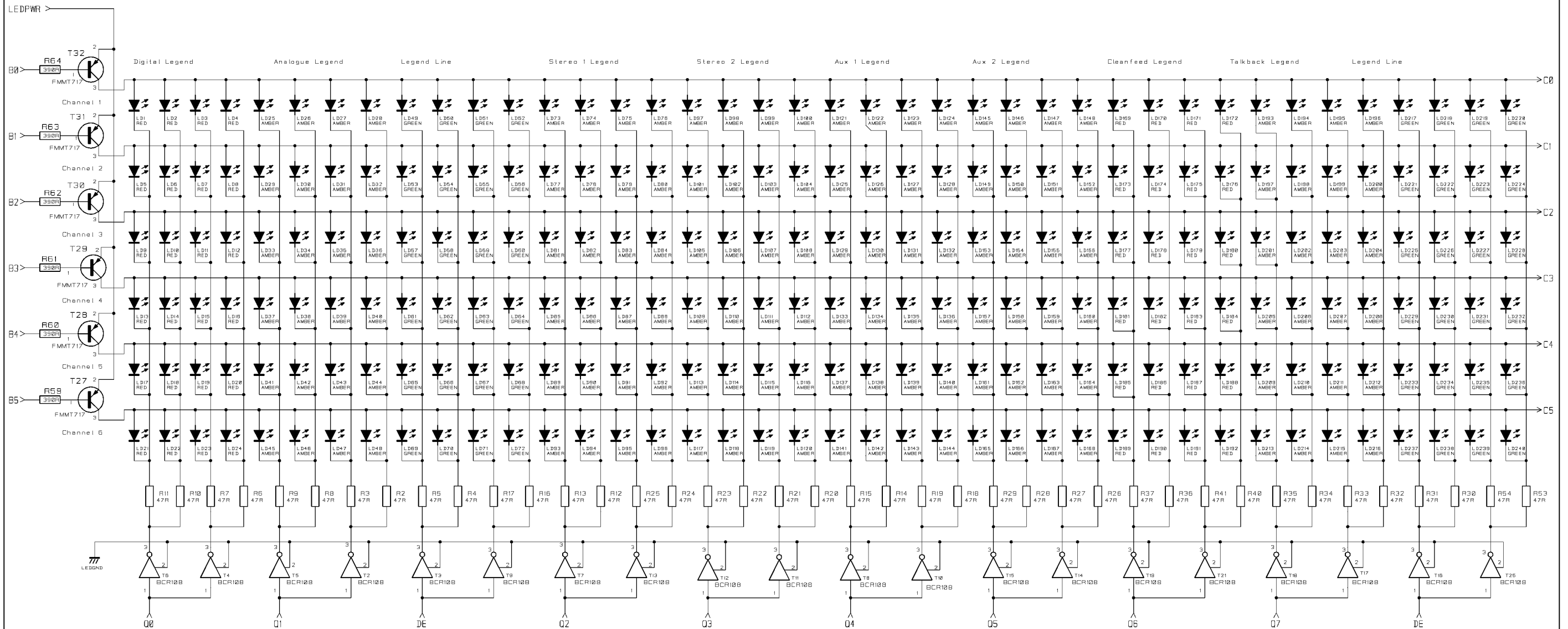
SOUNDCRAFT OWNS THE COPYRIGHT OF THIS DRAWING WHICH IS NOT TO BE COPIED, IN PART OR IN WHOLE TO A THIRD PARTY WITHOUT WRITTEN PERMISSION.

NOTES

DRN. PH
20-03-02

SOUNDCRAFT
HARMAN INT. INDUSTRIES LTD.
CRANBORNE HOUSE,
CRANBORNE ROAD,
POTTERS BAR,
HERTS. EN6 3JN.
TEL: 01707 665000
FAX: 01707 660482

TITLE
RM1dS
Input Control Surface
(iUS Version)
DRG NO. ED 4187



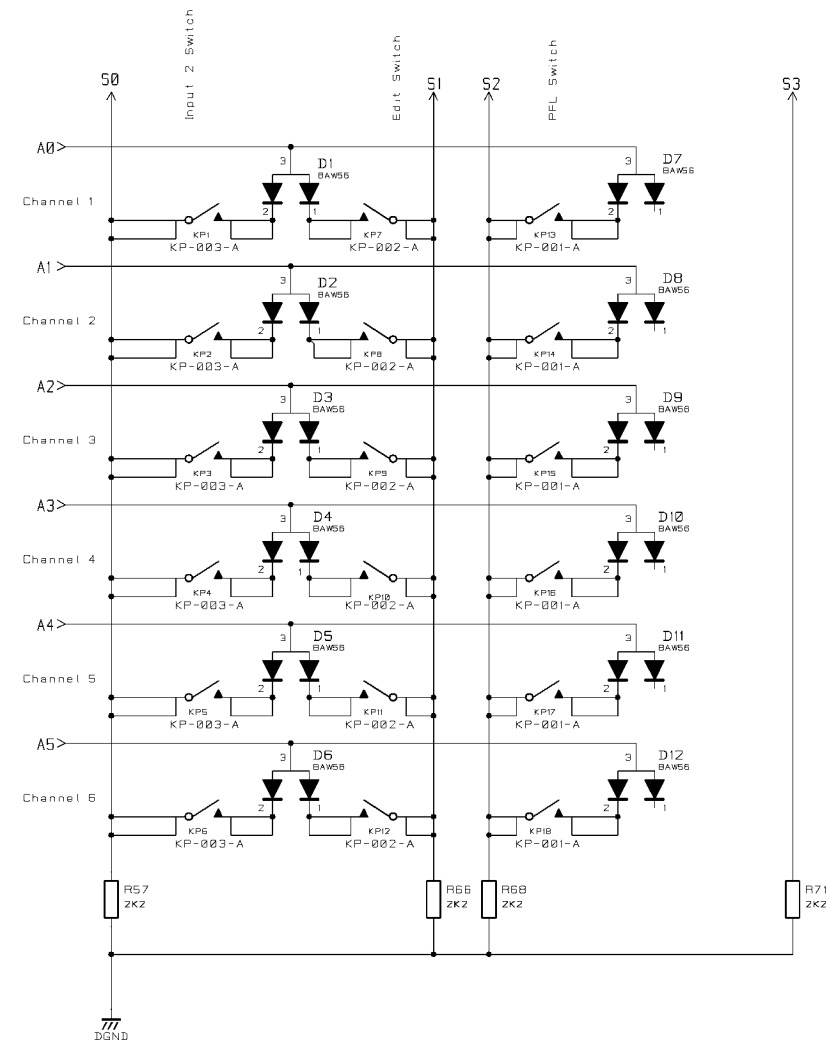
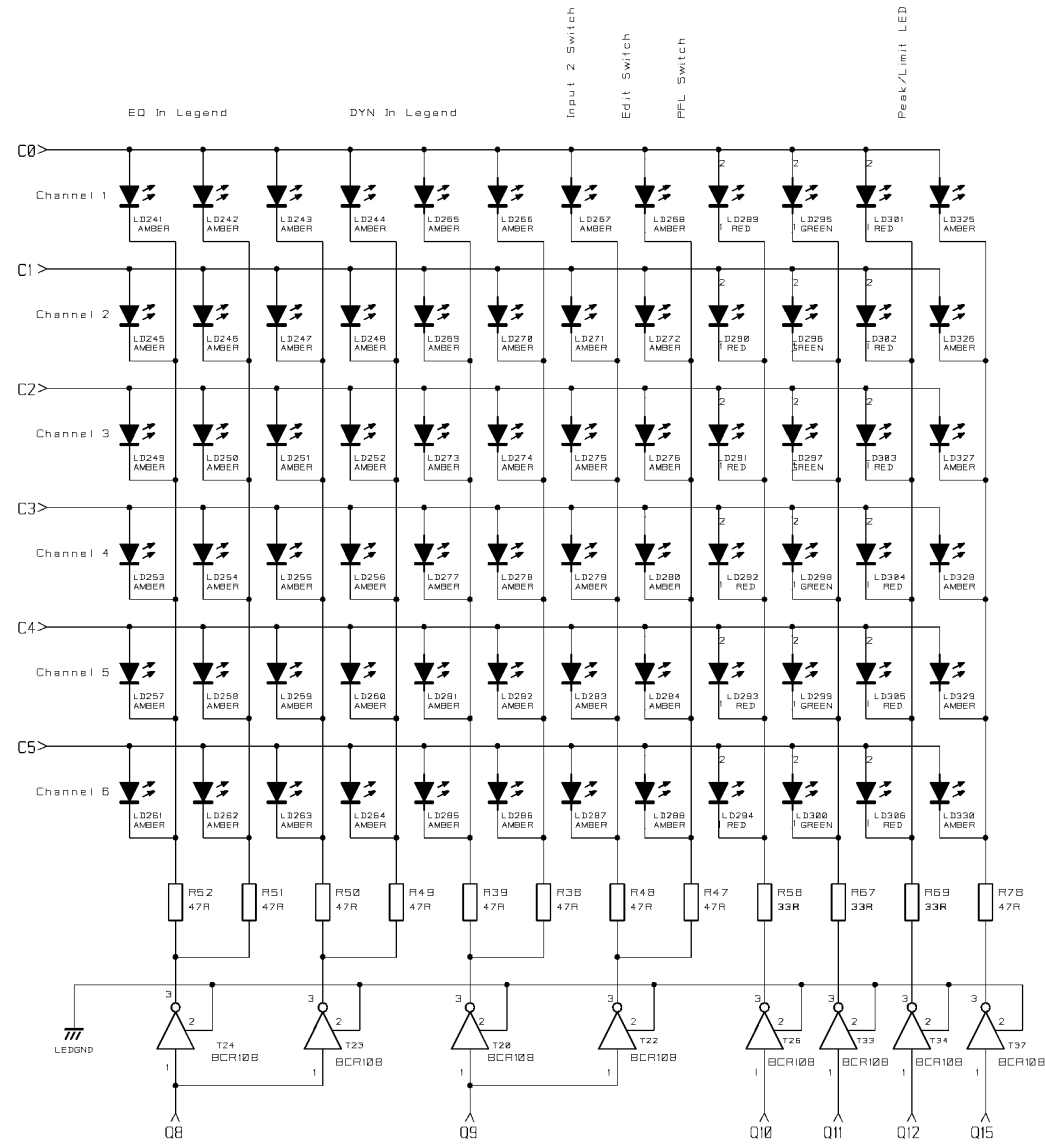
SOUNDCRAFT OWNS THE COPYRIGHT OF THIS DRAWING WHICH IS NOT TO BE COPIED, IN PART OR IN WHOLE TO A THIRD PARTY WITHOUT WRITTEN PERMISSION.

NOTES

DRN.
PH
20-03-02

SOUNDCRAFT
HARMAN INT. INDUSTRIES LTD.
CRANBORNE HOUSE,
CRANBORNE ROAD,
POTTERS BAR,
HERTS. EN6 3JN.
TEL: 01707 665000
FAX: 01707 660482

TITLE
RM1dS
Input Control Surface
(US Version)
DRG NO.
ED 4187



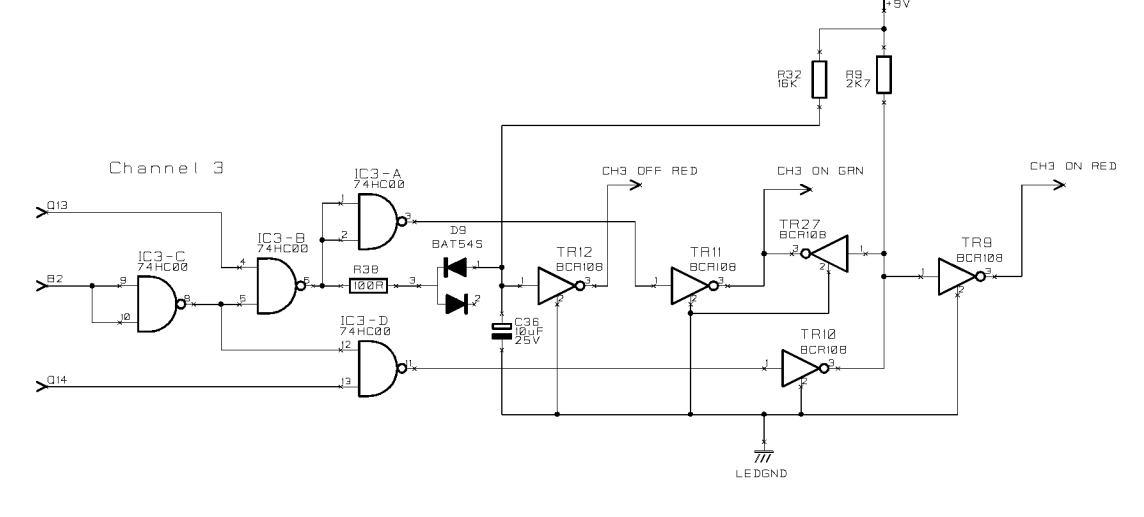
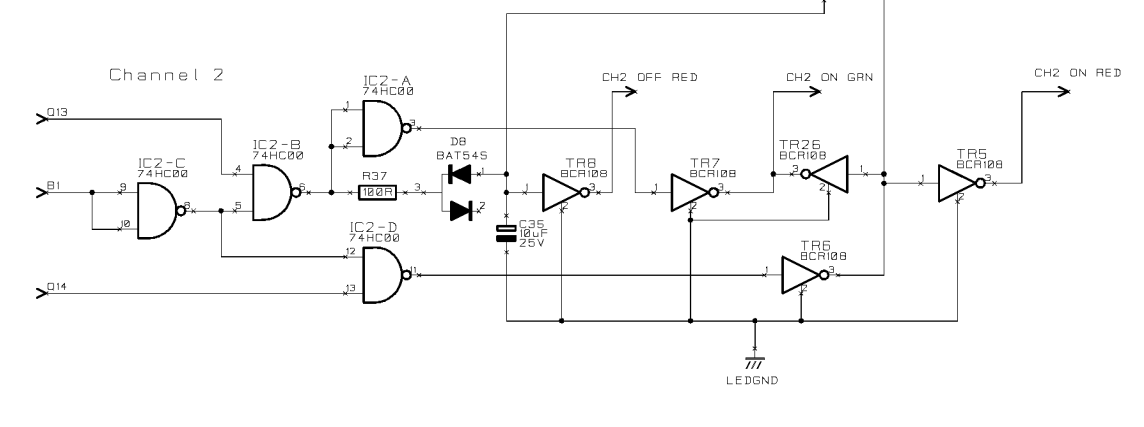
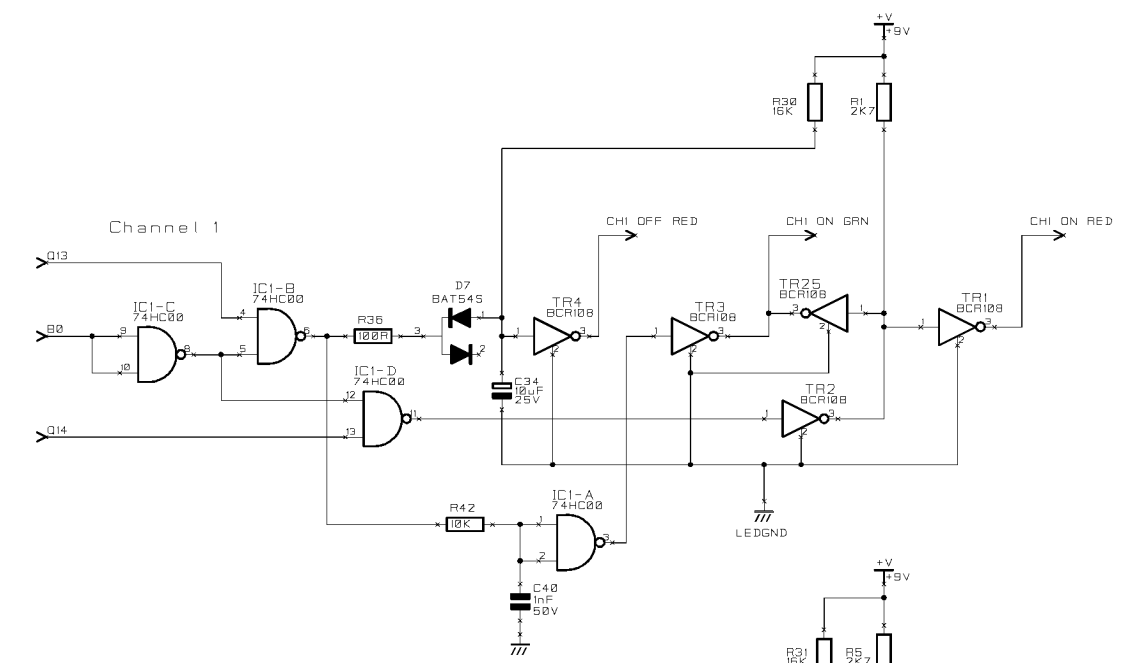
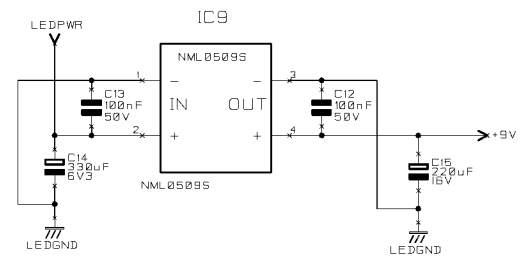
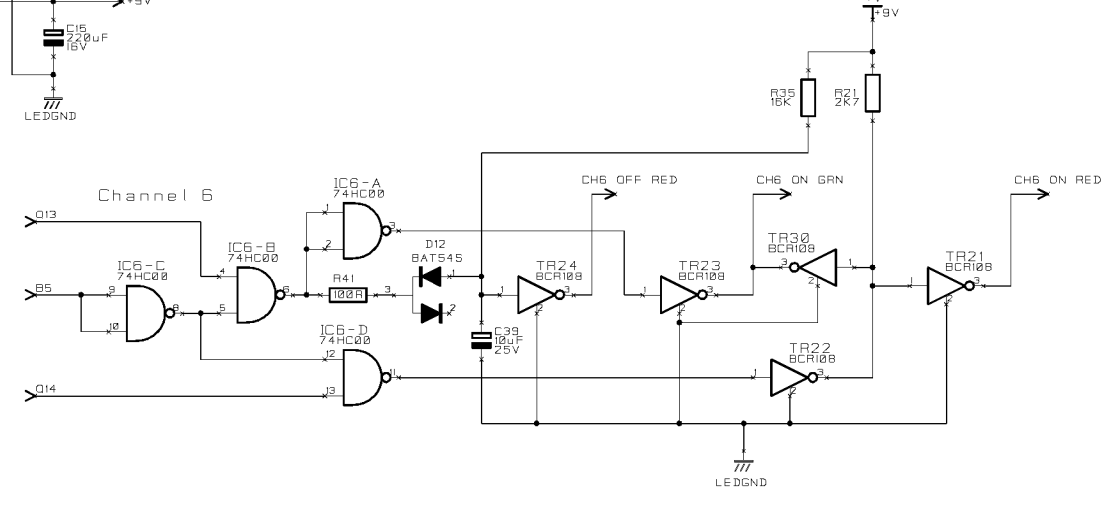
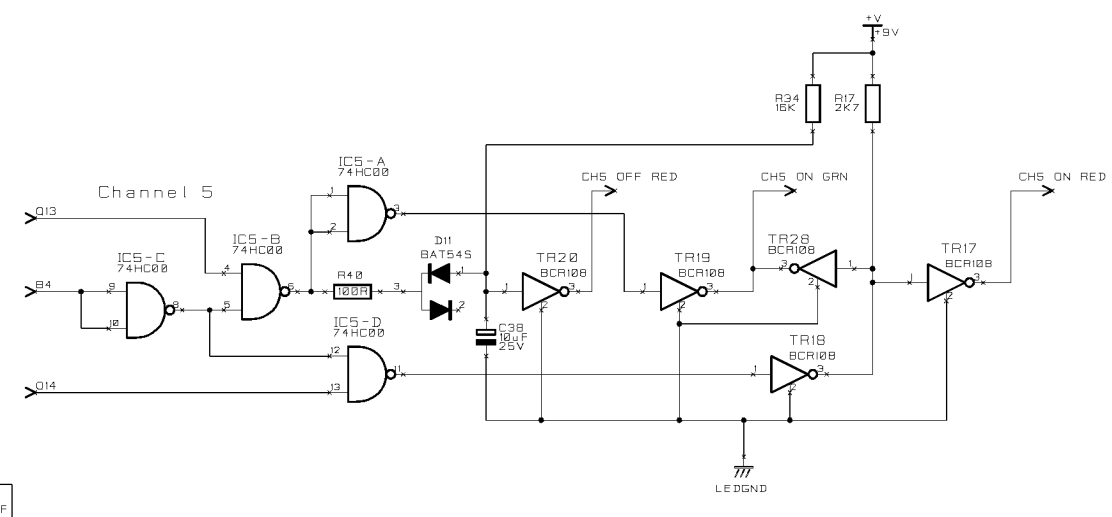
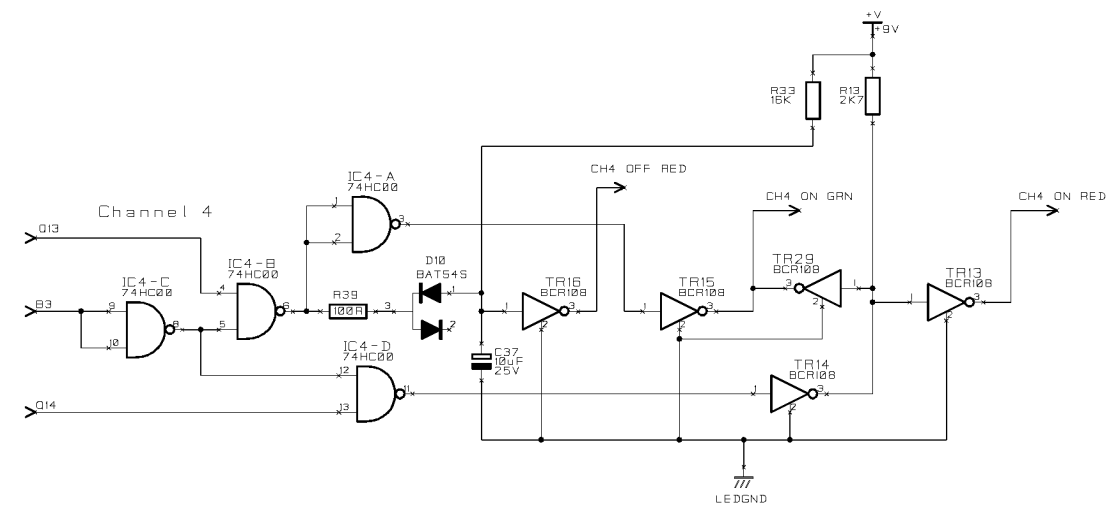
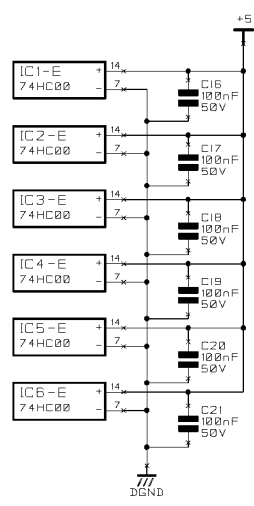
SOUNDCRAFT OWNS THE COPYRIGHT OF THIS DRAWING WHICH IS NOT TO BE COPIED, IN PART OR IN WHOLE TO A THIRD PARTY WITHOUT WRITTEN PERMISSION.

NOTES

DRN. PH
20-03-02

SOUNDCRAFT
HARMAN INT. INDUSTRIES LTD.
CRANBORNE HOUSE,
CRANBORNE ROAD,
POTTERS BAR,
HERTS. EN6 3JN.
TEL: 01707 665000
FAX: 01707 660482

TITLE
RM1dS
Input Control Surface
(US Version)
DRG NO. ED 4187



SOUNDCRAFT OWN THE COPYRIGHT OF THIS DRAWING WHICH IS NOT TO BE COPIED, REPRODUCED OR DISCLOSED, IN PART OR WHOLE TO A THIRD PARTY WITHOUT PRIOR WRITTEN PERMISSION.

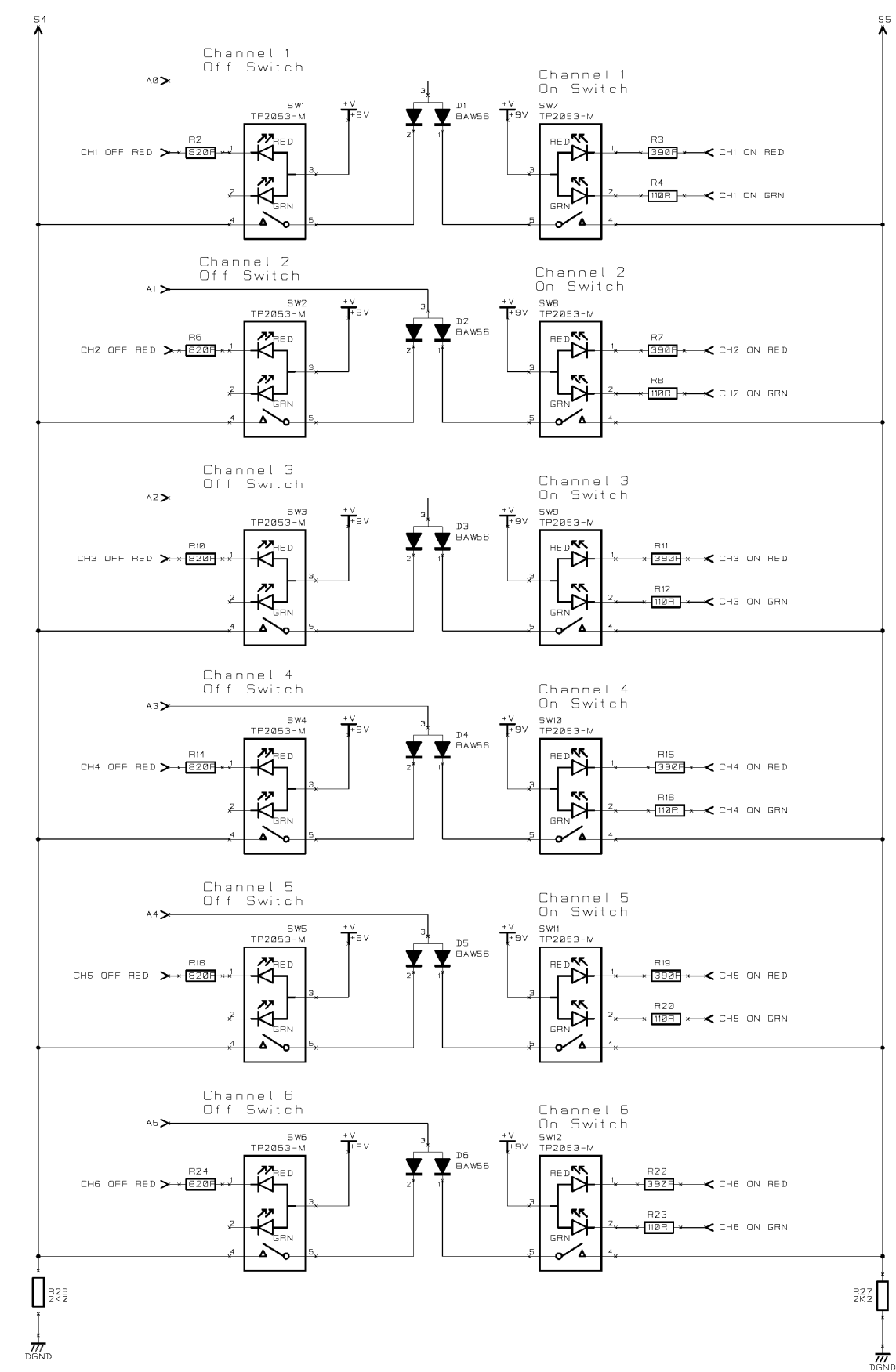
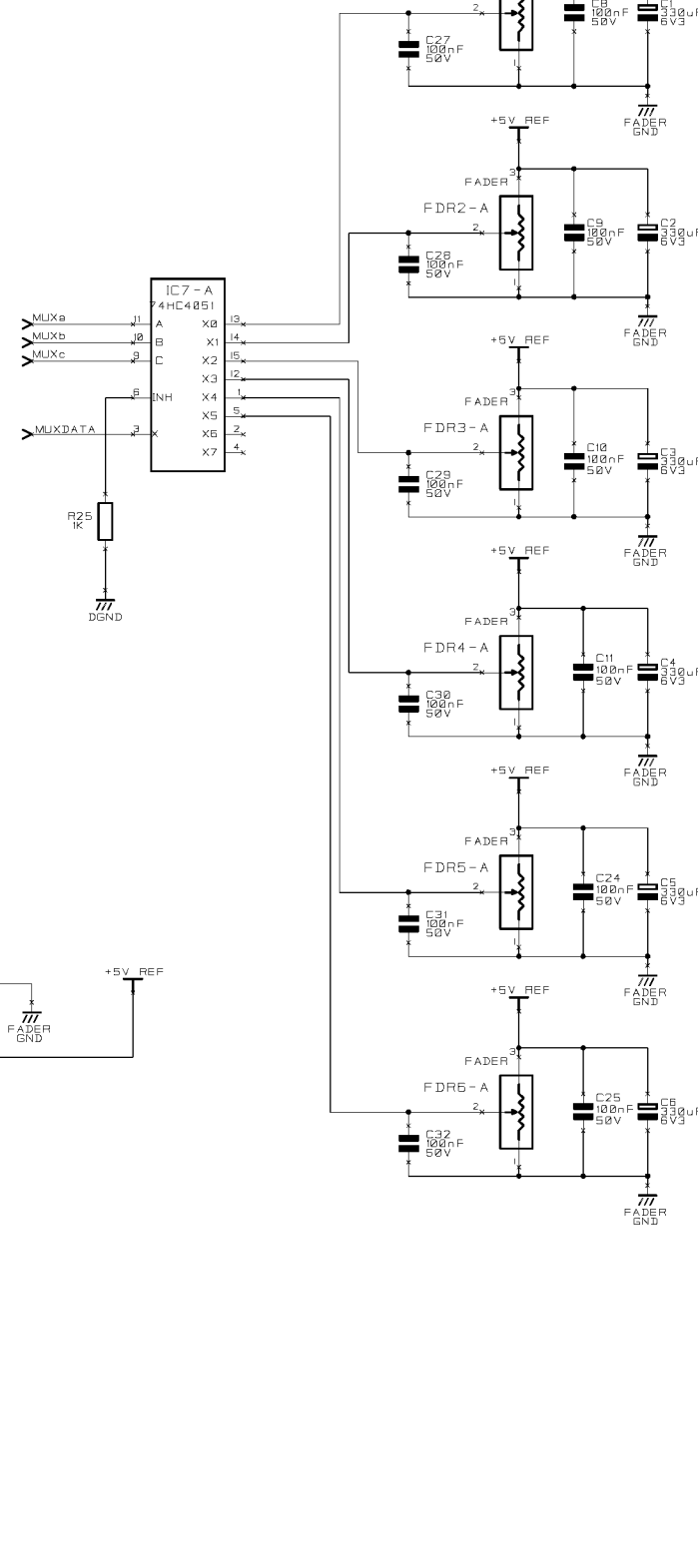
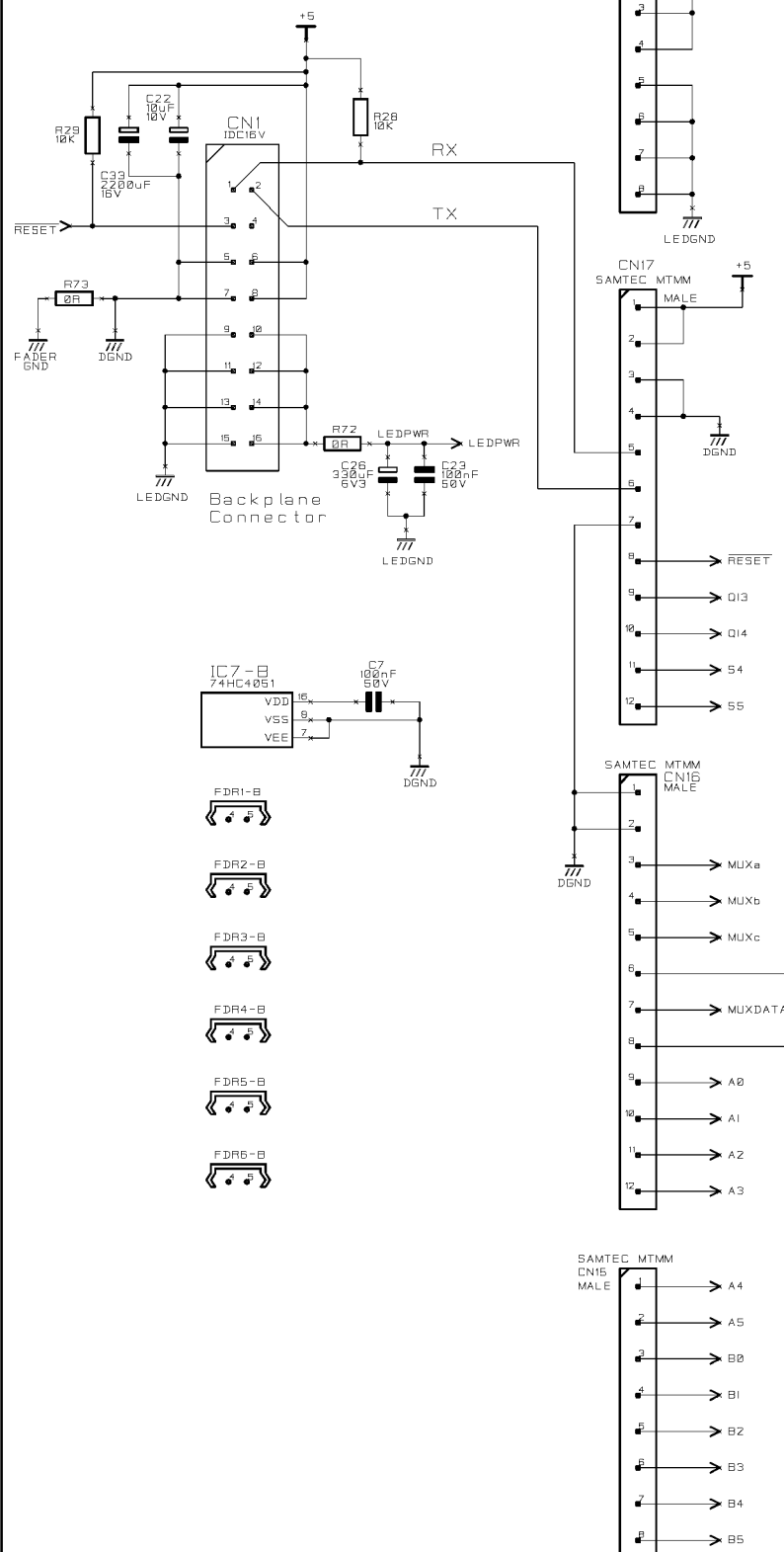
SOUNDCRAFT
HARMAN INT. INDUSTRIES LTD.
CRANBORNE HOUSE,
CRANBORNE ROAD,
POTTERS BAR,
HERTS. EN6 3JN.
TEL: 01707 665000
FAX: 01707 660402

NOTES

DRN	PH	CN No.	INITIAL	DATE	ISSUE	TITLE
		--	PH	08-03-02	1A	RMIdS FADER BOARD
DATE	08-03-02	--	PH	15-04-02	2A	
MASTER IF RED		--	ML	01-10-02	2B	

DRG NO. ED4188-02B SHT. 1 OF 2

DRG NO. ED4188-02B

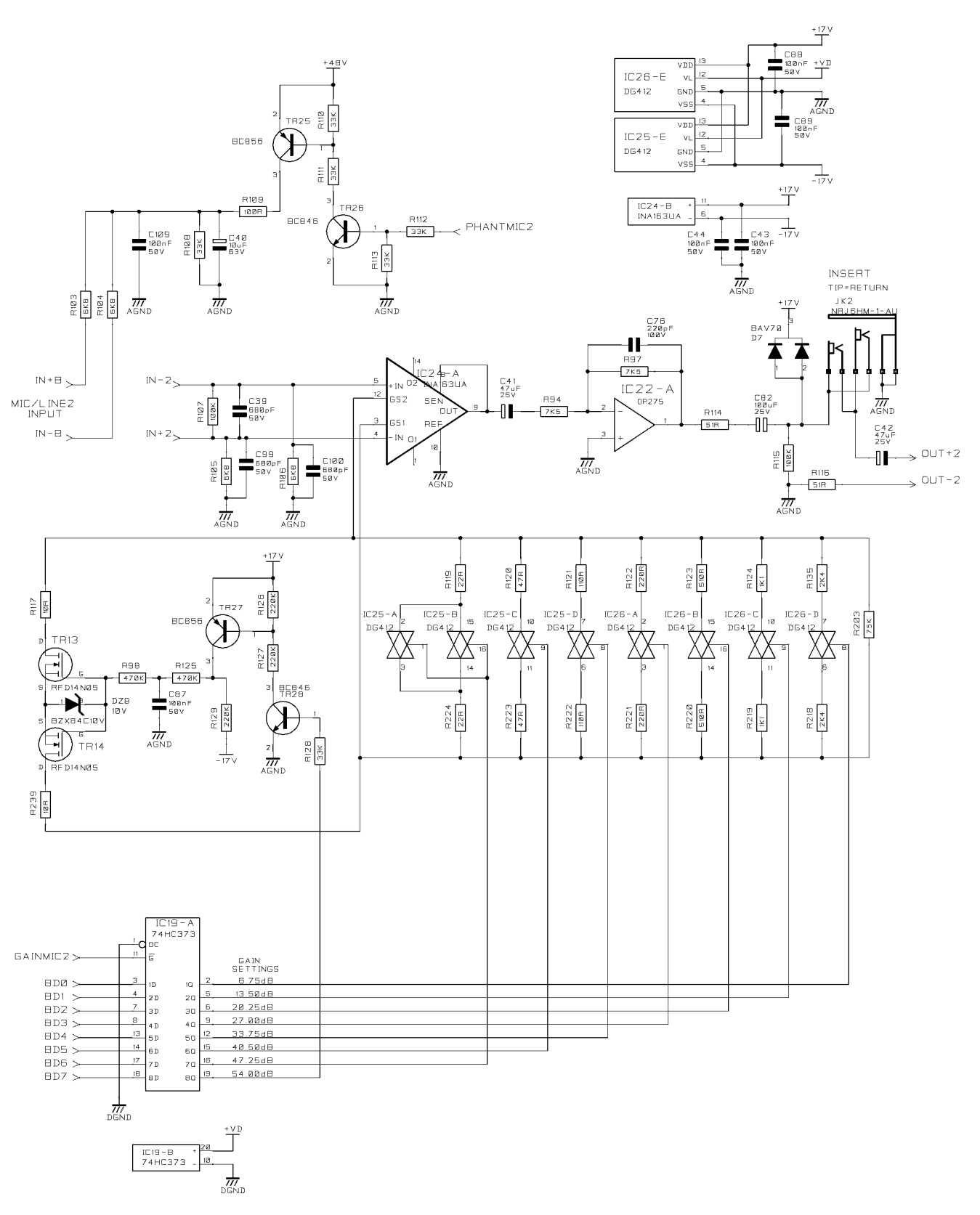
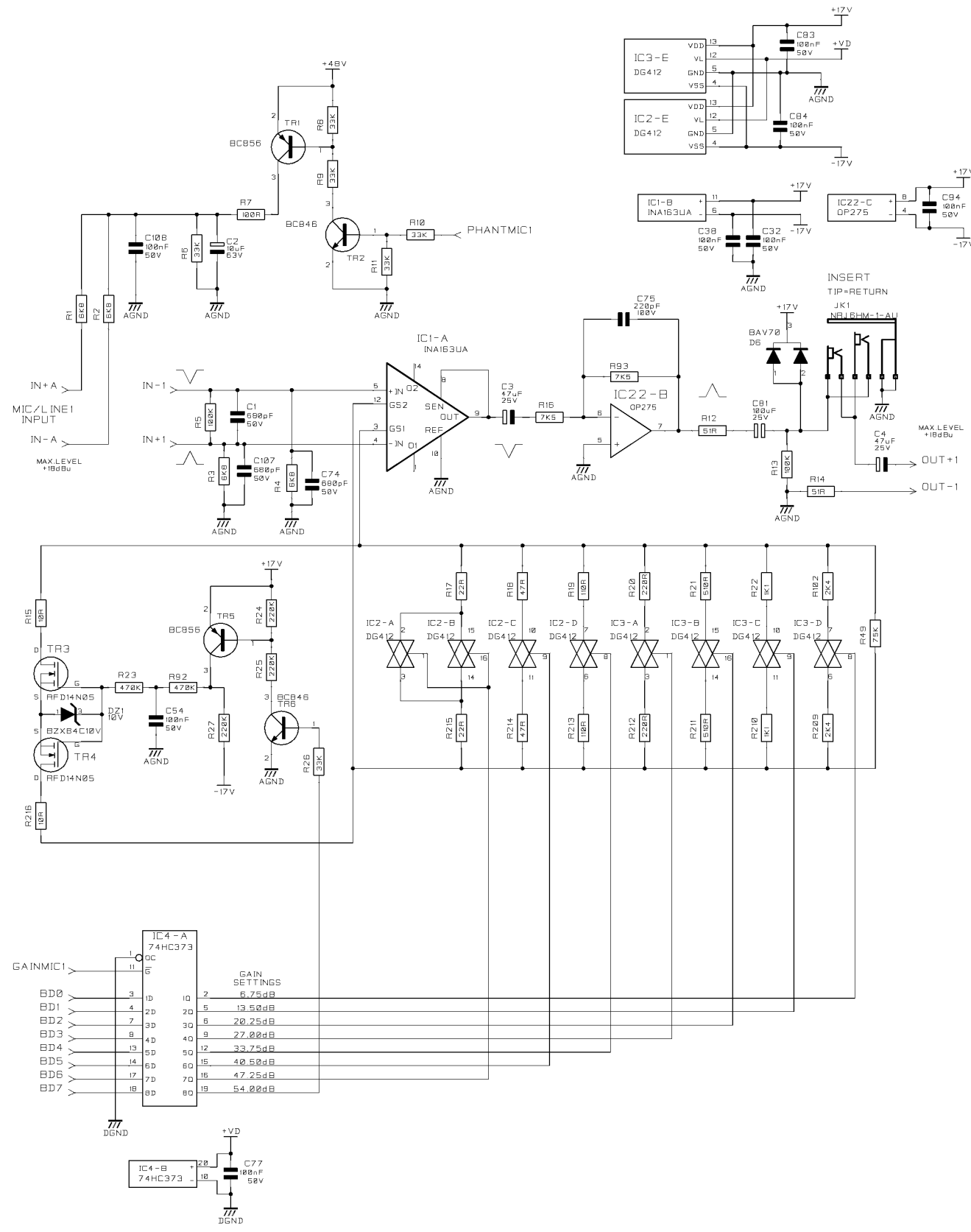


SOUNDCRAFT OWN THE COPYRIGHT OF THIS DRAWING WHICH IS NOT TO BE COPIED, REPRODUCED OR DISCLOSED, IN PART OR WHOLE TO A THIRD PARTY WITHOUT PRIOR WRITTEN PERMISSION.

SOUNDCRAFT
 HARMAN INT. INDUSTRIES LTD.
 CRANBORNE HOUSE,
 CRANBORNE ROAD,
 POTTERS BAR,
 HERTS. EN6 3JN.
 TEL: 01707 665000
 FAX: 01707 660402

NOTES

DRN.	PH	CN No	INITIAL	DATE	ISSUE	TITLE	
		--	PH	08-03-02	1A	RM1dS FADER BOARD	
DATE	08-03-02	--	PH	15-04-02	2A		
MASTER IF RED		--	ML	01-10-02	2B		
						DRG NO.	ED4188-02B
							SHT. 2 OF 2



SOUNDCRAFT OWN THE COPYRIGHT OF THIS DRAWING WHICH IS NOT TO BE COPIED, REPRODUCED OR DISCLOSED, IN PART OR WHOLE TO A THIRD PARTY WITHOUT PRIOR WRITTEN PERMISSION.

SOUNDCRAFT
 HARMAN INT. INDUSTRIES LTD.
 CRANBORNE HOUSE,
 CRANBORNE ROAD,
 POTTERS BAR,
 HERTS. EN6 3JN.
 TEL: 01707 665000
 FAX: 01707 660482

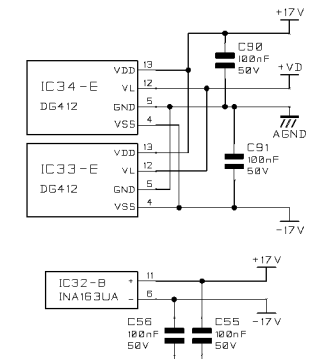
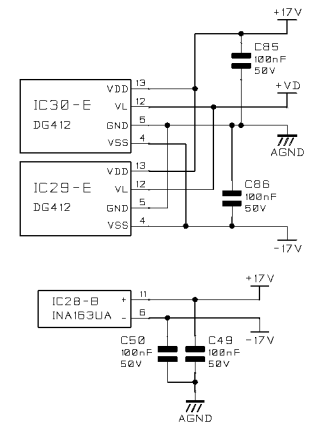
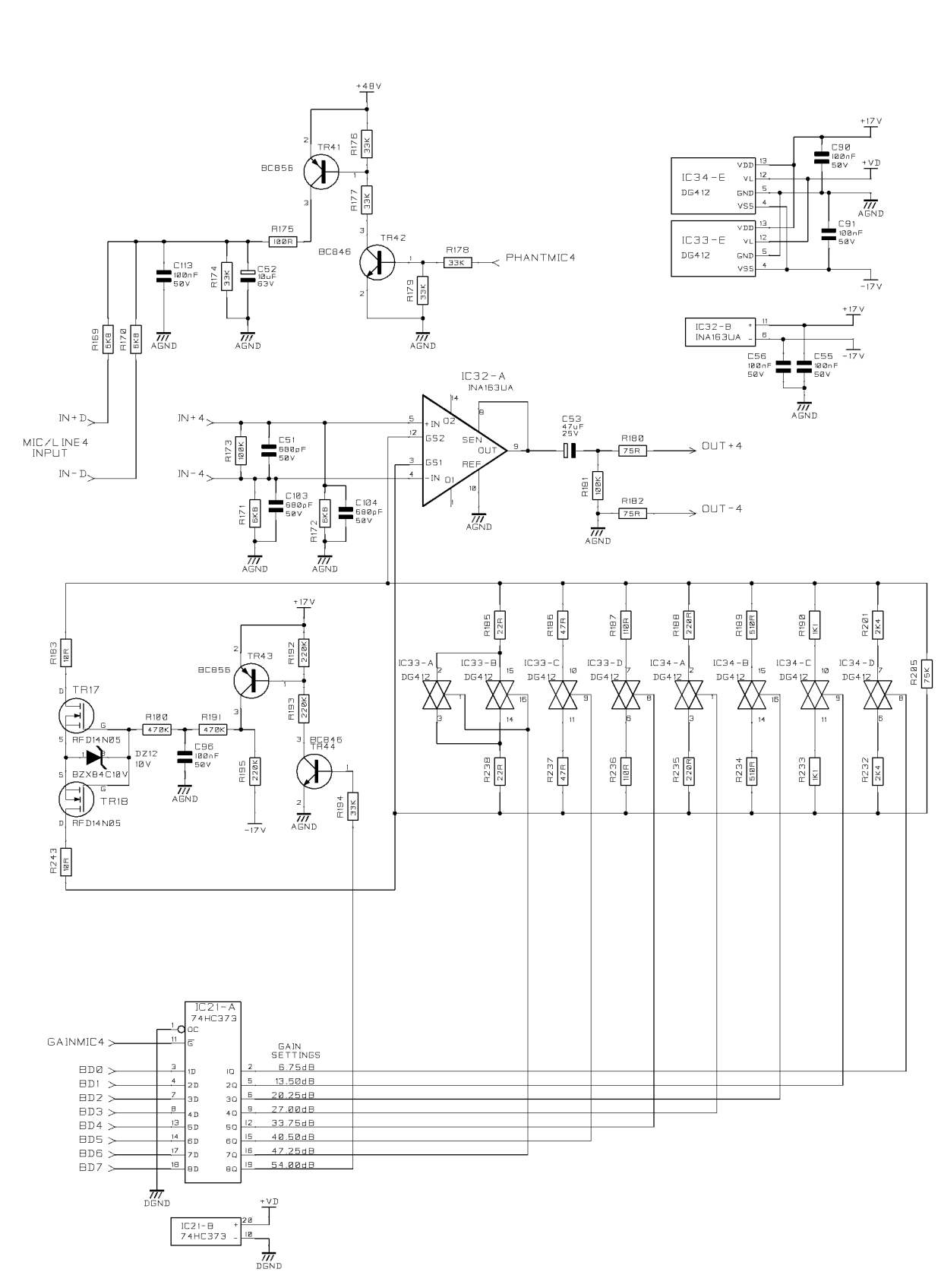
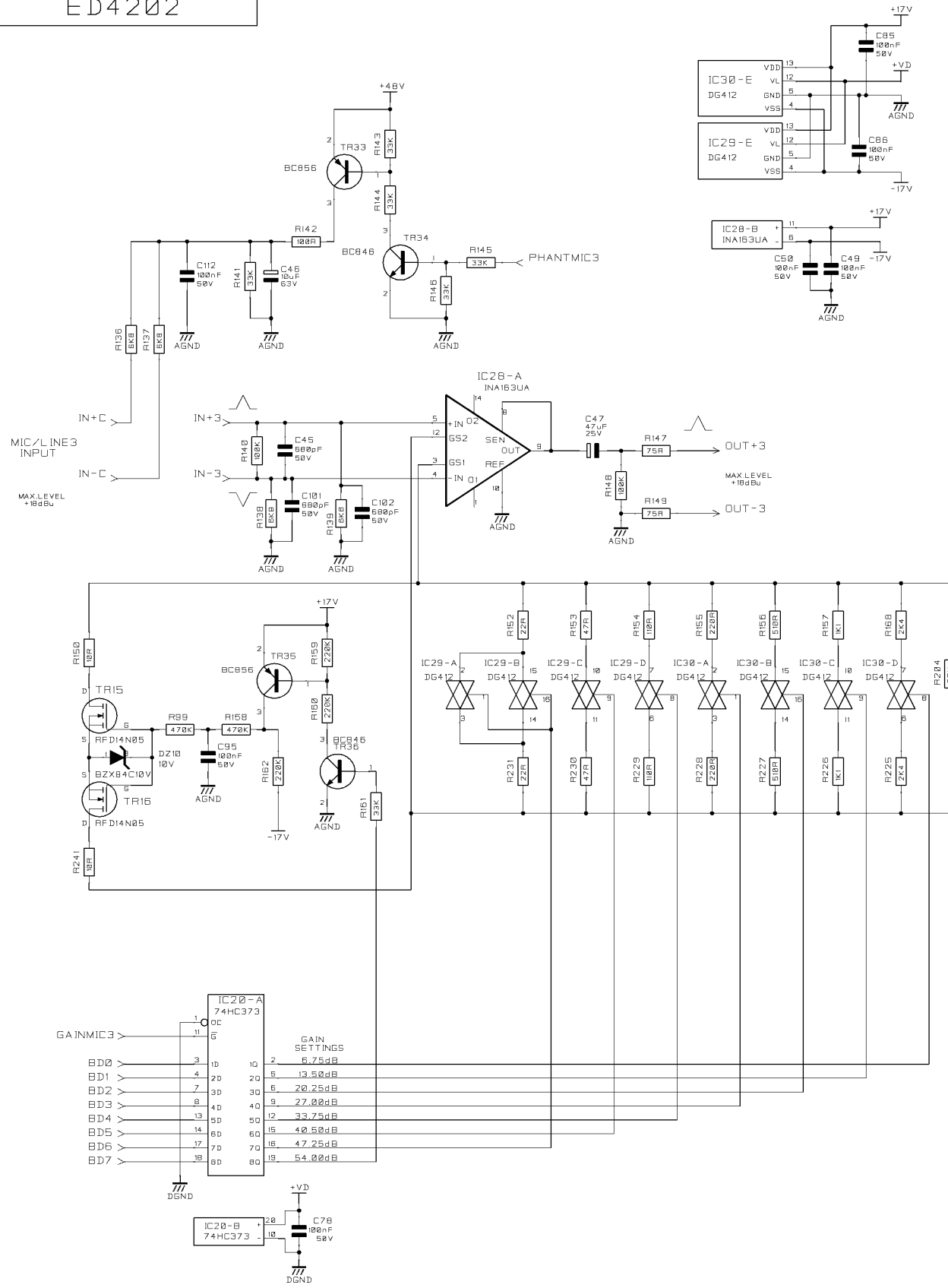
NOTES

DRN. IF
 DATE 10/04/02
 MASTER IF RED

CN No.	INITIAL	DATE	ISSUE
ECN167	RNJS/IF	10/04/02	01A
	RNJS/IF	03/09/02	01B

TITLE
RM1d - G3
 MICROPHONE INPUT
 & ANALOGUE I/O
 ANALOGUE INPUT SUBCARD

DRG NO. ED4202 SHT.1 OF 5



IC20-A
74HC373

GAIN MIC3

BD0	BD1	BD2	BD3	BD4	BD5	BD6	BD7
10	20	30	40	50	60	70	80
6.75dB	13.5dB	20.25dB	27.0dB	33.75dB	40.5dB	47.25dB	54.0dB

IC20-B
74HC373

IC21-A
74HC373

GAIN MIC4

BD0	BD1	BD2	BD3	BD4	BD5	BD6	BD7
10	20	30	40	50	60	70	80
6.75dB	13.5dB	20.25dB	27.0dB	33.75dB	40.5dB	47.25dB	54.0dB

IC21-B
74HC373

SOUNDCRAFT OWN THE COPYRIGHT OF THIS DRAWING WHICH IS NOT TO BE COPIED, REPRODUCED OR DISCLOSED, IN PART OR WHOLE TO A THIRD PARTY WITHOUT PRIOR WRITTEN PERMISSION.

SOUNDCRAFT
HARMAN INT. INDUSTRIES LTD.
CRANBORNE HOUSE,
CRANBORNE ROAD,
POTTERS BAR,
HERTS. EN6 3JN.
TEL: 01707 665000
FAX: 01707 660482

NOTES

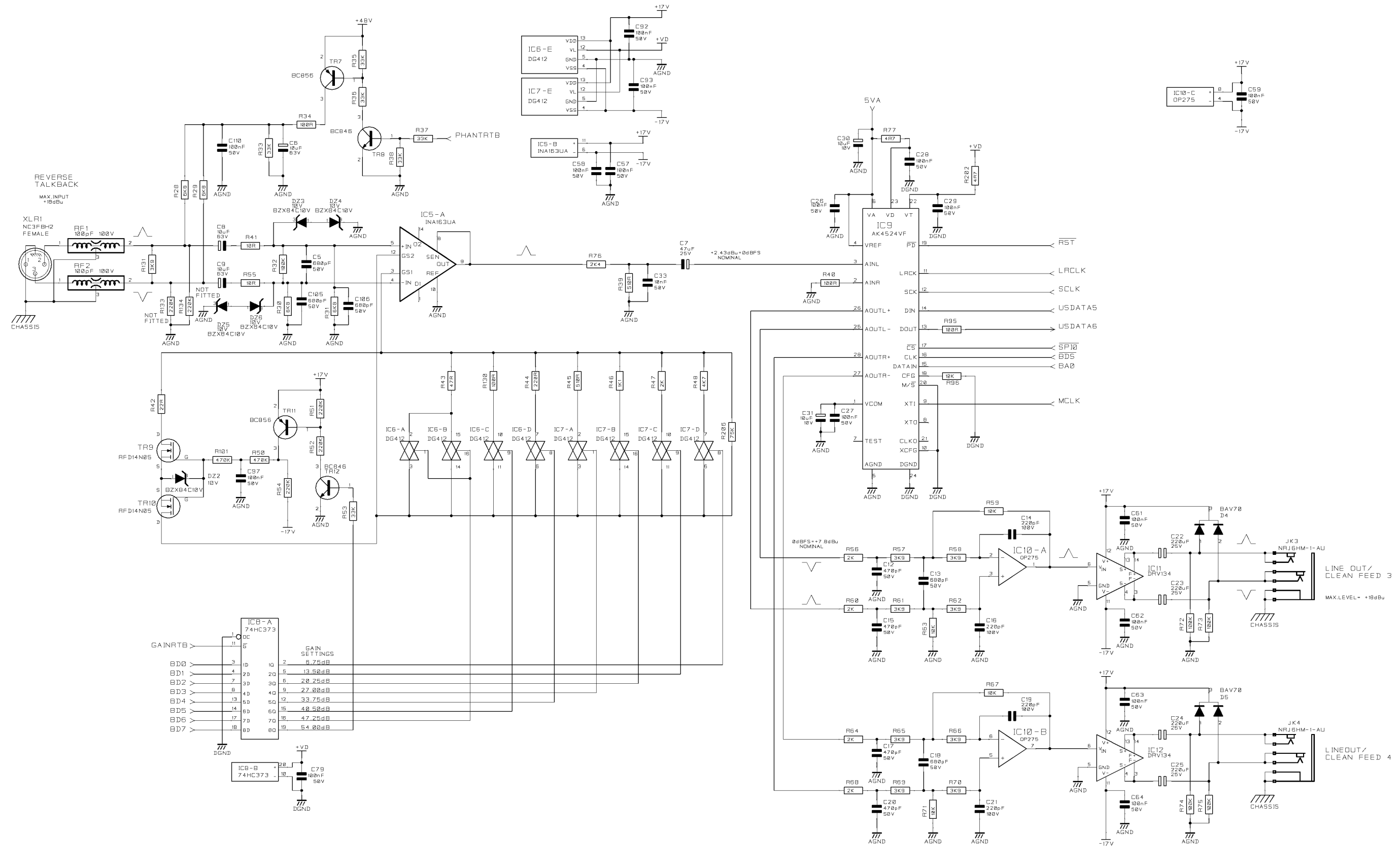
DRN. IF
DATE 10/04/02
MASTER IF RED

CN No.	INITIAL	DATE	ISSUE
IF	RNJS/IF	10/04/02	01A
ECN167	RNJS/IF	03/09/02	01B

TITLE
RM1d - G3
MICROPHONE INPUT
& ANALOGUE I/O
ANALOGUE INPUT SUBCARD

DRG NO. ED4202

SHT 2 OF 5



SOUNDCRAFT OWN THE COPYRIGHT OF THIS DRAWING WHICH IS NOT TO BE COPIED, REPRODUCED OR DISCLOSED, IN PART OR WHOLE TO A THIRD PARTY WITHOUT PRIOR WRITTEN PERMISSION.

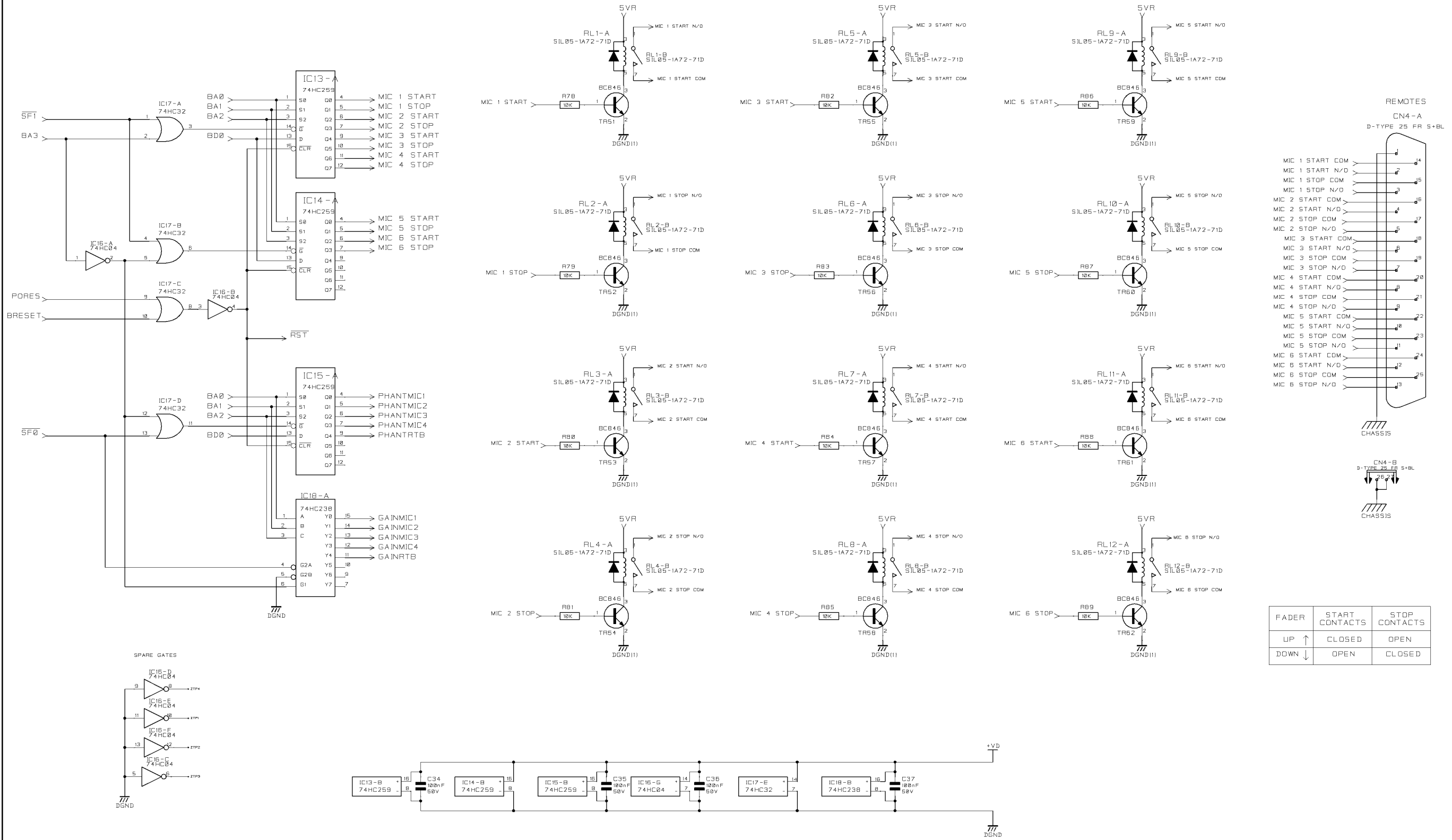
SOUNDCRAFT
HARMAN INT. INDUSTRIES LTD.
CRANBORNE HOUSE,
CRANBORNE ROAD,
POTTERS BAR,
HERTS. EN6 3JN.
TEL: 01707 665000
FAX: 01707 660482

NOTES

DRN. IF
DATE 10/04/02
MASTER IF RED

CN No.	INITIAL	DATE	ISSUE	TITLE
	RNJS/IF	10/04/02	01A	RM1d - G3 MICROPHONE INPUT & ANALOGUE I/O ANALOGUE INPUT SUBCARD
ECN167	RNJS/IF	03/09/02	01B	

DRG NO. ED4202
SHT.3 OF 5



SOUNDCRAFT OWN THE COPYRIGHT OF THIS DRAWING WHICH IS NOT TO BE COPIED, REPRODUCED OR DISCLOSED, IN PART OR WHOLE TO A THIRD PARTY WITHOUT PRIOR WRITTEN PERMISSION.

SOUNDCRAFT
 HARMAN INT. INDUSTRIES LTD.
 CRANBORNE HOUSE,
 CRANBORNE ROAD,
 POTTERS BAR,
 HERTS. EN6 3JN
 TEL: 01707 665000
 FAX: 01707 660482

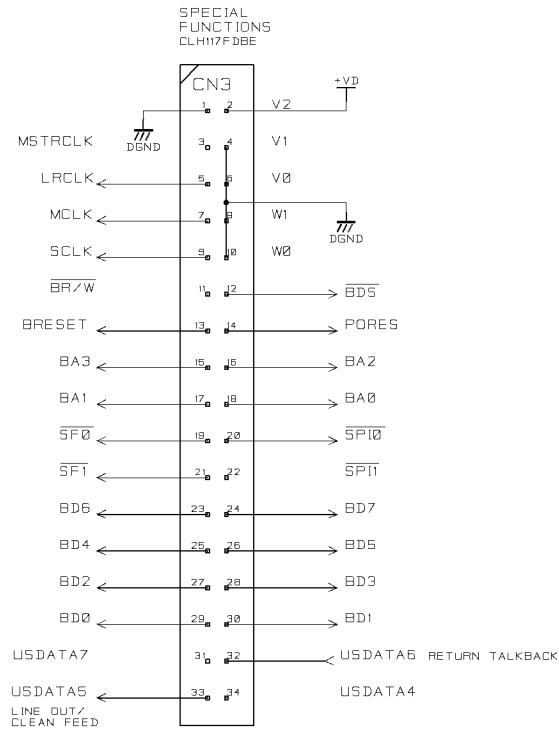
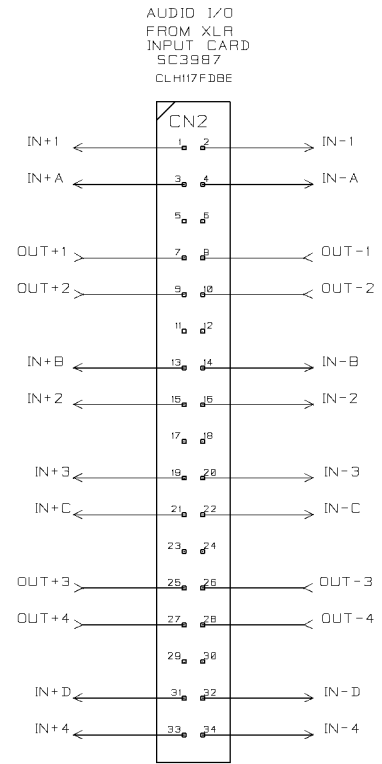
NOTES

DRN. IF
 DATE 10/04/02
 MASTER IF RED

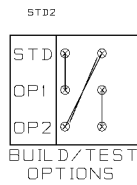
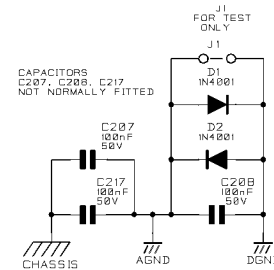
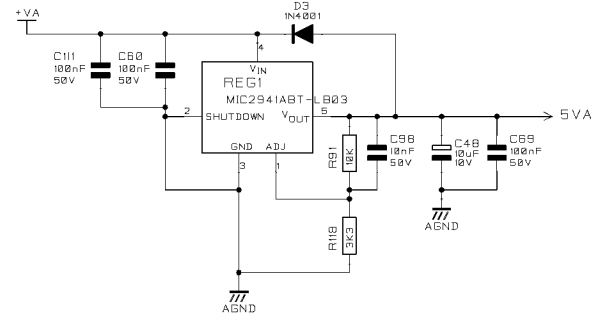
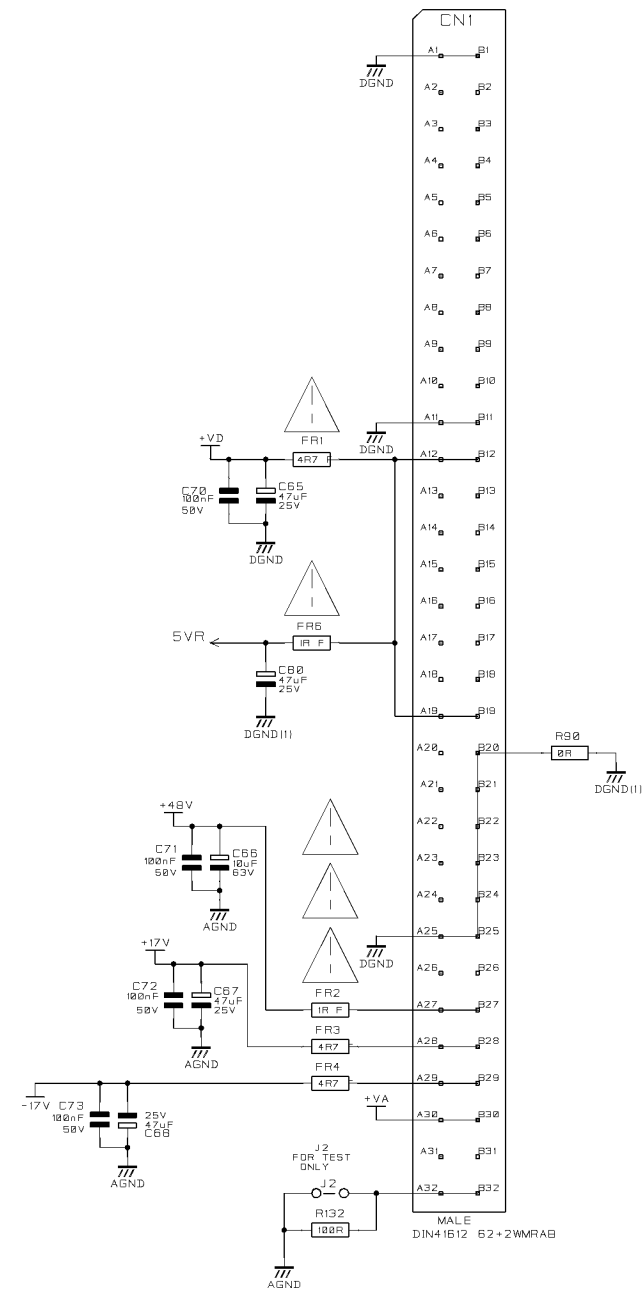
CN No.	INITIAL	DATE	ISSUE
	RNJS/IF	10/04/02	01A
ECN167	RNJS/IF	03/09/02	01B

TITLE
RM1d - G3
 MICROPHONE INPUT
 & ANALOGUE I/O
 ANALOGUE INPUT SUBCARD

DRG NO. ED4202 SHT.4 OF 5



BACK PLANE



SOUNDCRAFT OWN THE COPYRIGHT OF THIS DRAWING WHICH IS NOT TO BE COPIED, REPRODUCED OR DISCLOSED, IN PART OR WHOLE TO A THIRD PARTY WITHOUT PRIOR WRITTEN PERMISSION.

SOUNDCRAFT
HARMAN INT. INDUSTRIES LTD.
CRANBORNE HOUSE,
CRANBORNE ROAD,
POTTERS BAR,
HERTS. EN6 3JN.
TEL: 01707 665000
FAX: 01707 660482

NOTES

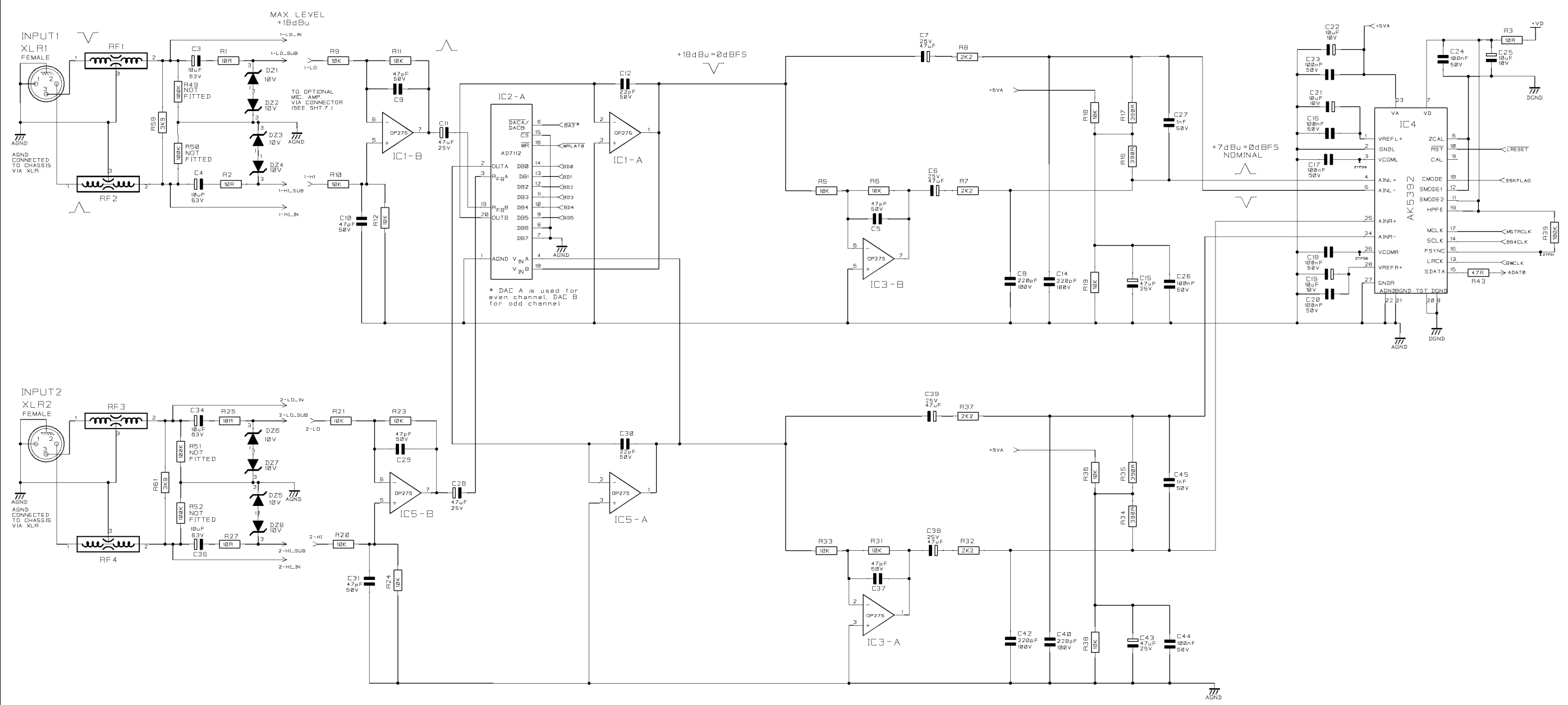
DRN. IF
DATE 10/04/02
MASTER IF RED

CN No.	INITIAL	DATE	ISSUE
ECN167	RNJS/IF	10/04/02	01A
	RNJS/IF	03/09/02	01B

TITLE
RM1d-G3
MICROPHONE INPUT
& ANALOGUE I/O
ANALOGUE INPUT SUBCARD

DRG NO. ED4202

SHT. 5 OF 5



SOUNDCRAFT OWN THE COPYRIGHT OF THIS DRAWING WHICH IS NOT TO BE COPIED, REPRODUCED OR DISCLOSED, IN PART OR WHOLE TO A THIRD PARTY WITHOUT PRIOR WRITTEN PERMISSION.

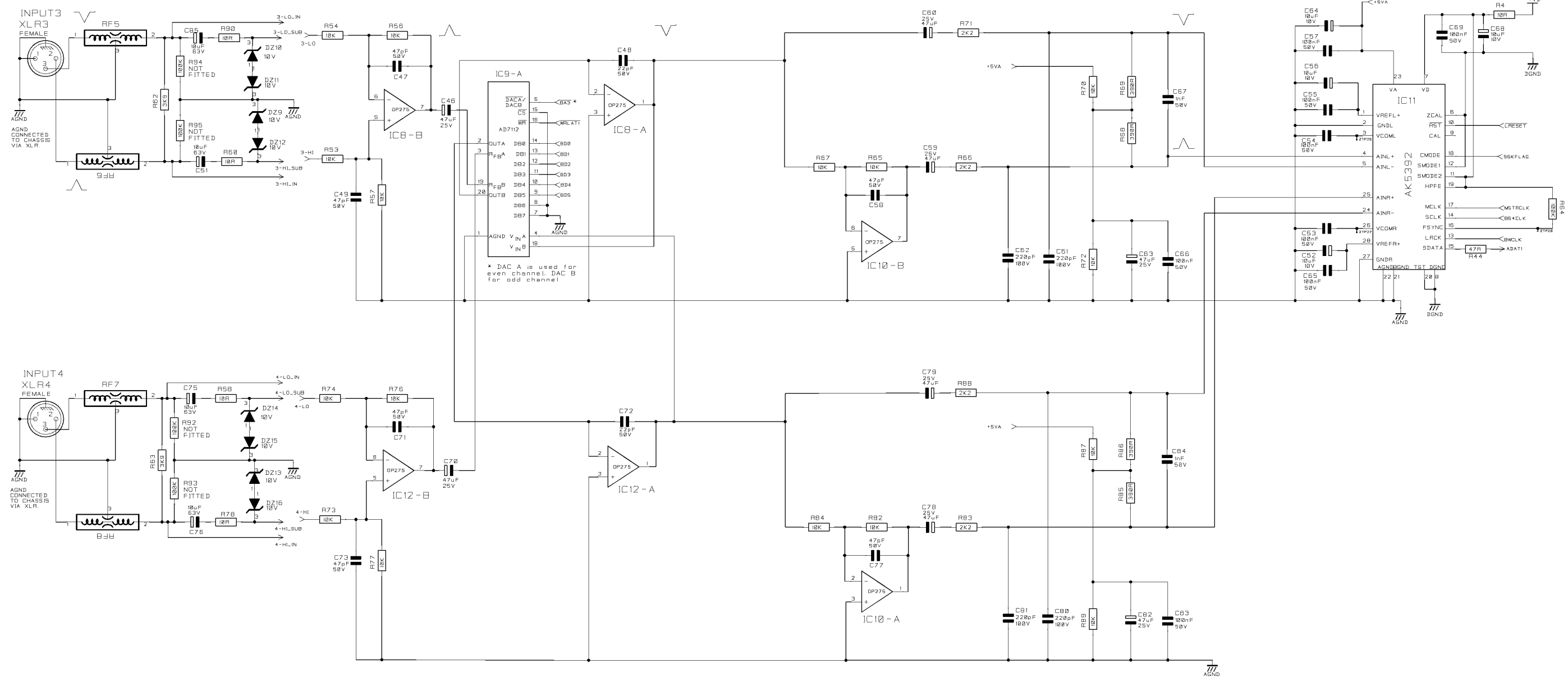
SOUNDCRAFT
HARMAN INT. INDUSTRIES LTD.
CRANBORNE HOUSE,
CRANBORNE ROAD,
POTTERS BAR,
HERTS. EN6 3JN.
TEL: 01707 665000
FAX: 01707 660482

NOTES

DRN.	DD	CN No.	INITIAL	DATE	ISSUE
DATE	09-03-99	ECN167	RNJS	03/09/02	01A 01B
MASTER IF RED					

TITLE	RM1d.(G3) ANALOGUE INPUT PCB ASSY.
DRG NO.	ED4203
SHT. 1 OF 7	

DRG NO.
ED4203



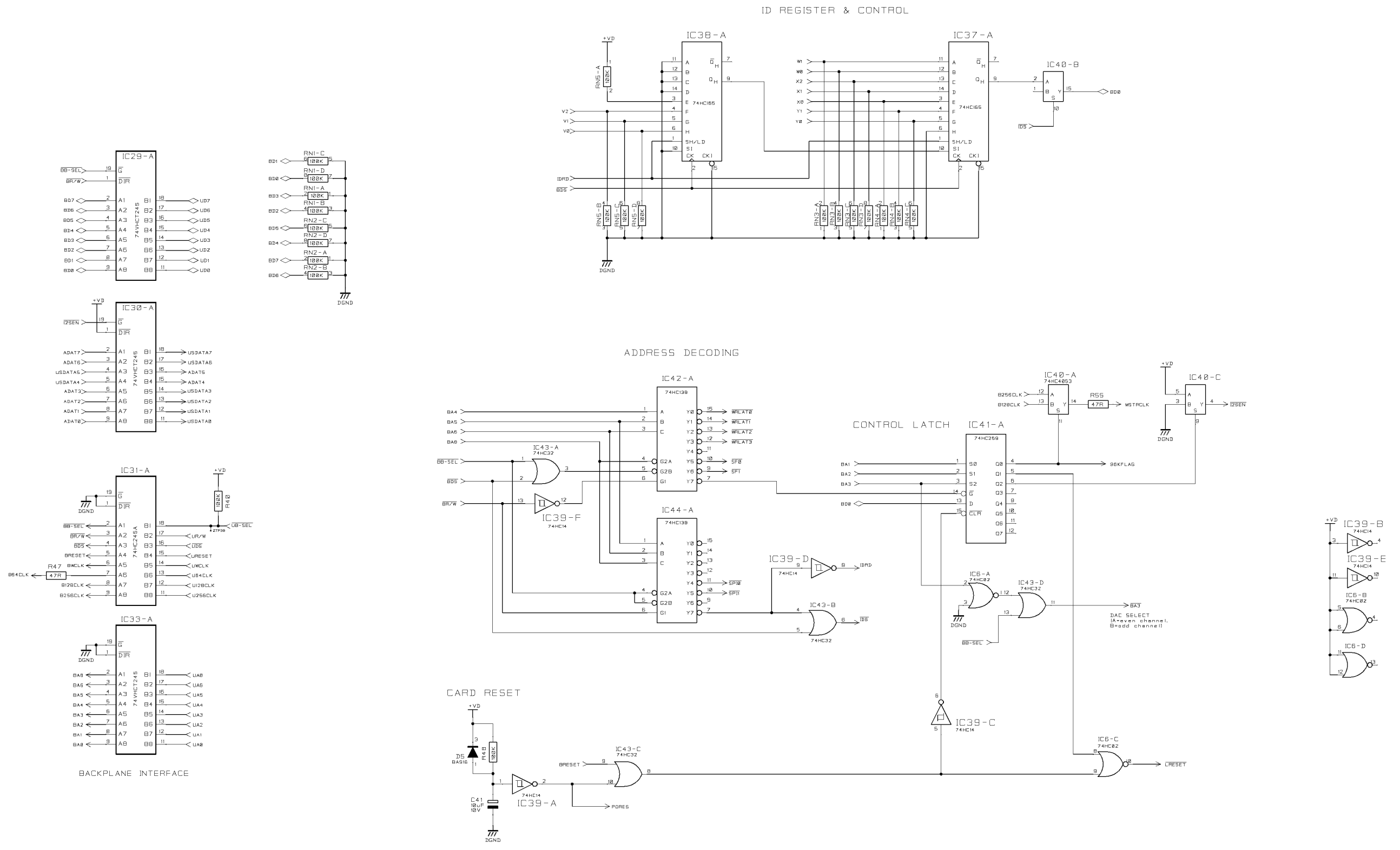
SOUNDCRAFT OWN THE COPYRIGHT OF THIS DRAWING WHICH IS NOT TO BE COPIED, REPRODUCED OR DISCLOSED, IN PART OR WHOLE TO A THIRD PARTY WITHOUT PRIOR WRITTEN PERMISSION.

SOUNDCRAFT
HARMAN INT. INDUSTRIES LTD.
CRANBORNE HOUSE,
CRANBORNE ROAD,
POTTERS BAR,
HERTS. EN6 3JN.
TEL: 01707 665000
FAX: 01707 660482

NOTES

DRN.	DD	CN No.	INITIAL	DATE	ISSUE	TITLE
DATE	09-03-99	ECN167	IF RNJS	13/06/02 03/09/02	01A 01B	RMId.(G3) ANALOGUE INPUT PCB ASSY.
MASTER IF RED						

DRG NO.	ED4203	SHT. 2 OF 7
---------	--------	----------------



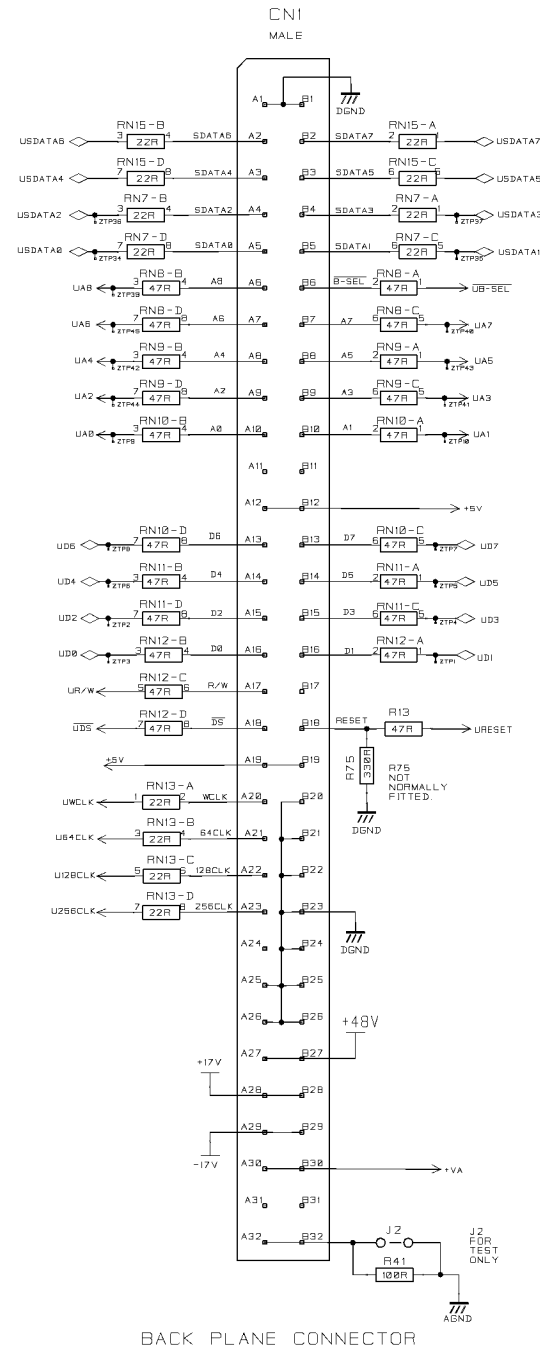
SOUNDCRAFT OWN THE COPYRIGHT OF THIS DRAWING WHICH IS NOT TO BE COPIED, REPRODUCED OR DISCLOSED, IN PART OR WHOLE TO A THIRD PARTY WITHOUT PRIOR WRITTEN PERMISSION.

SOUNDCRAFT
HARMAN INT. INDUSTRIES LTD.
CRANBORNE HOUSE,
CRANBORNE ROAD,
POTTERS BAR,
HERTS. EN6 3JN.
TEL: 01707 665000
FAX: 01707 660482

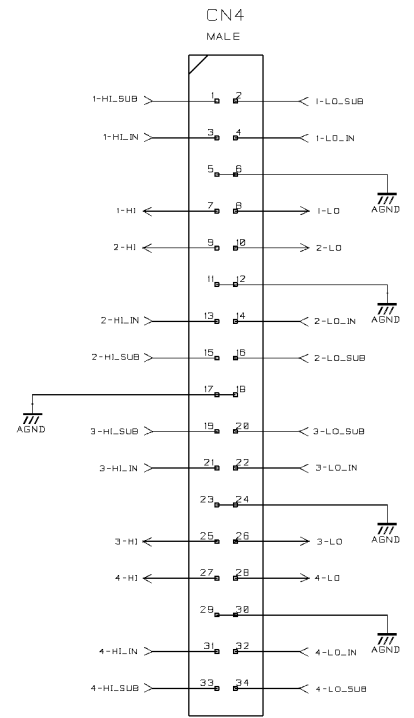
NOTES

DRN.	DD	CN No.	INITIAL	DATE	ISSUE	TITLE
DATE	09-03-99	ECN167	IF RNJS	13/06/02 03/09/02	01A 01B	RMId.(G3) ANALOGUE INPUT PCB ASSY.
MASTER IF RED						

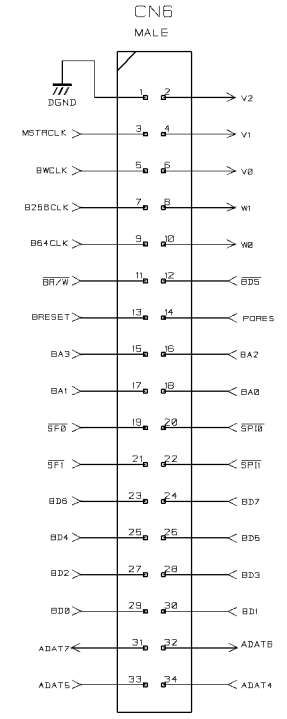
DRG NO.	ED4203	SHT. 6 OF 7
---------	--------	----------------



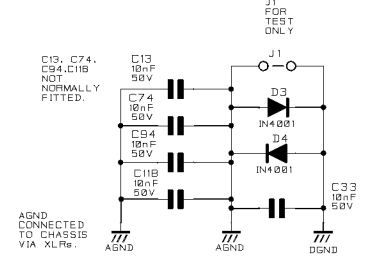
BACK PLANE CONNECTOR



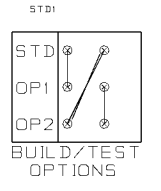
CHANS 1-4 SUBCARD AUDIO



SPECIAL FUNCTION CONNECTOR (OPTIONAL)



GROUND LINK OPTION



BUILD/TEST OPTIONS

SOUNDCRAFT OWN THE COPYRIGHT OF THIS DRAWING WHICH IS NOT TO BE COPIED, REPRODUCED OR DISCLOSED, IN PART OR WHOLE TO A THIRD PARTY WITHOUT PRIOR WRITTEN PERMISSION.

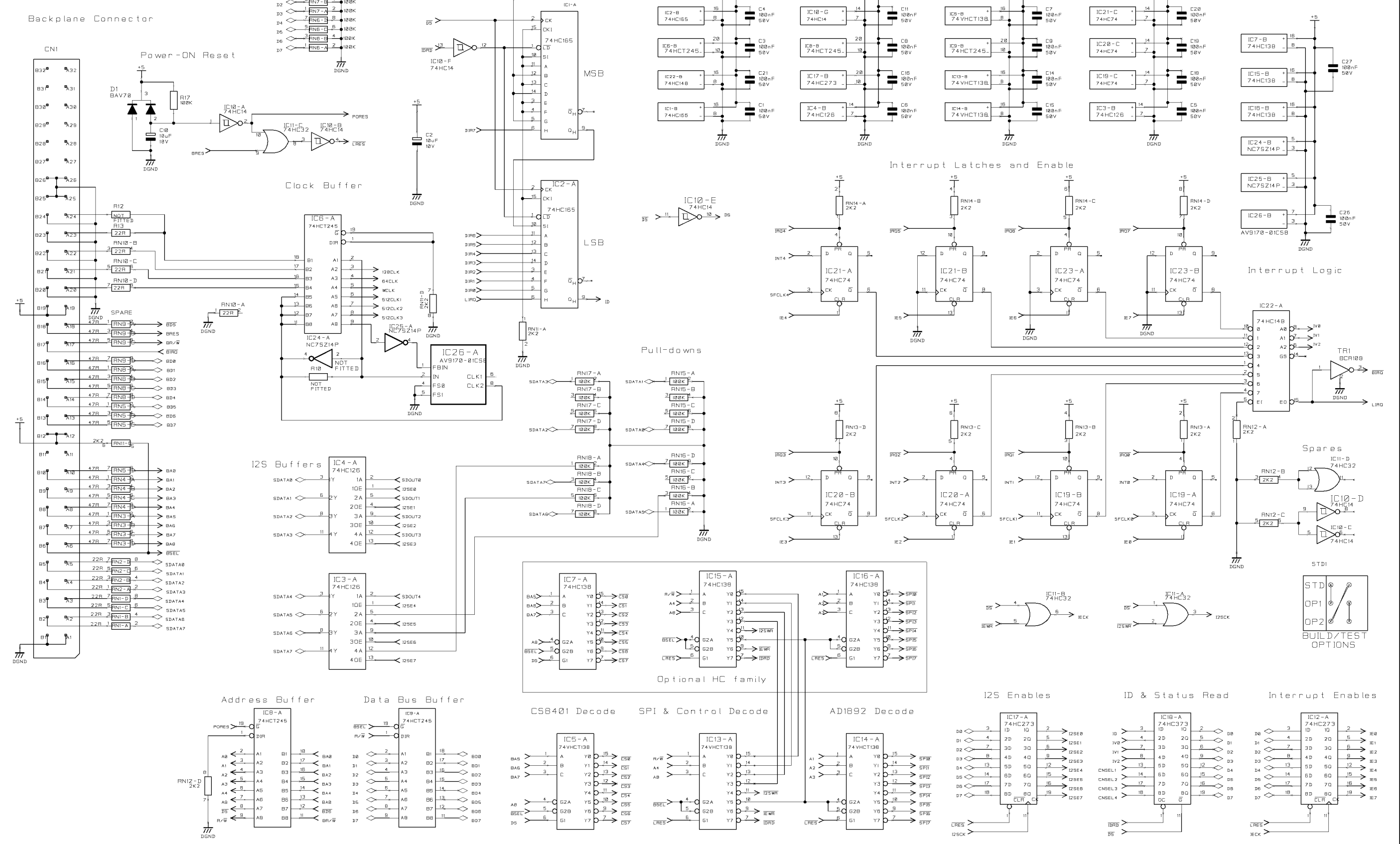
SOUNDCRAFT
HARMAN INT. INDUSTRIES LTD.
CRANBORNE HOUSE,
CRANBORNE ROAD,
POTTERS BAR,
HERTS. EN6 3JN.
TEL: 01707 665000
FAX: 01707 660482

NOTES

DRN.	DD	CN No.	INITIAL	DATE	ISSUE	TITLE
DATE	09-03-99	ECN167	IF RNJS	13/06/02 03/09/02	01A 01B	RM1d.(G3) ANALOGUE INPUT PCB ASSY.
MASTER IF RED						
DRG NO.						SHT. 7 OF 7
ED4203						

DRG NO. ED 4204

INITIAL	ISSUE	DATE
JF	02A	12-06-02



SOUNDCRAFT OWNS THE COPYRIGHT OF THIS DRAWING WHICH IS NOT TO BE COPIED, IN PART OR IN WHOLE TO A THIRD PARTY WITHOUT WRITTEN PERMISSION.

NOTES

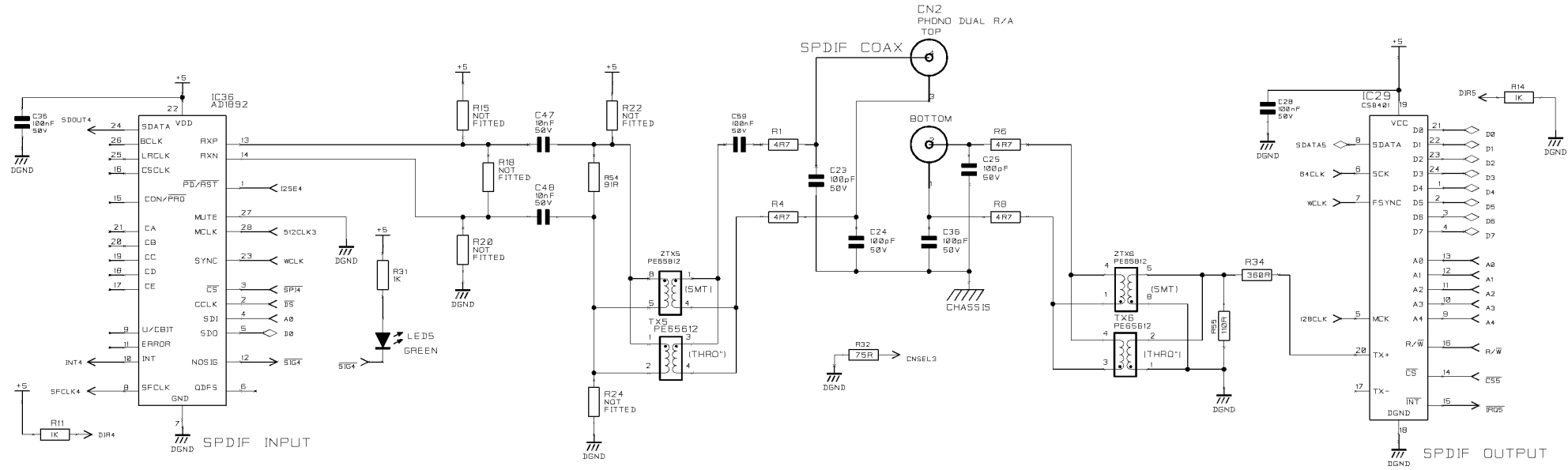
Software note:
 The board can provide information about which chip caused an interrupt to the controller. The controller can read the highest address of the board (the ID port) to determine whether the board caused an interrupt (ID = 1) and if so, which chip caused it (chip number in D1-D3). D4-7 of the read byte indicates whether the connector type is Phono or XLR for each pair of ports.

DRN. JF
 10-04-02

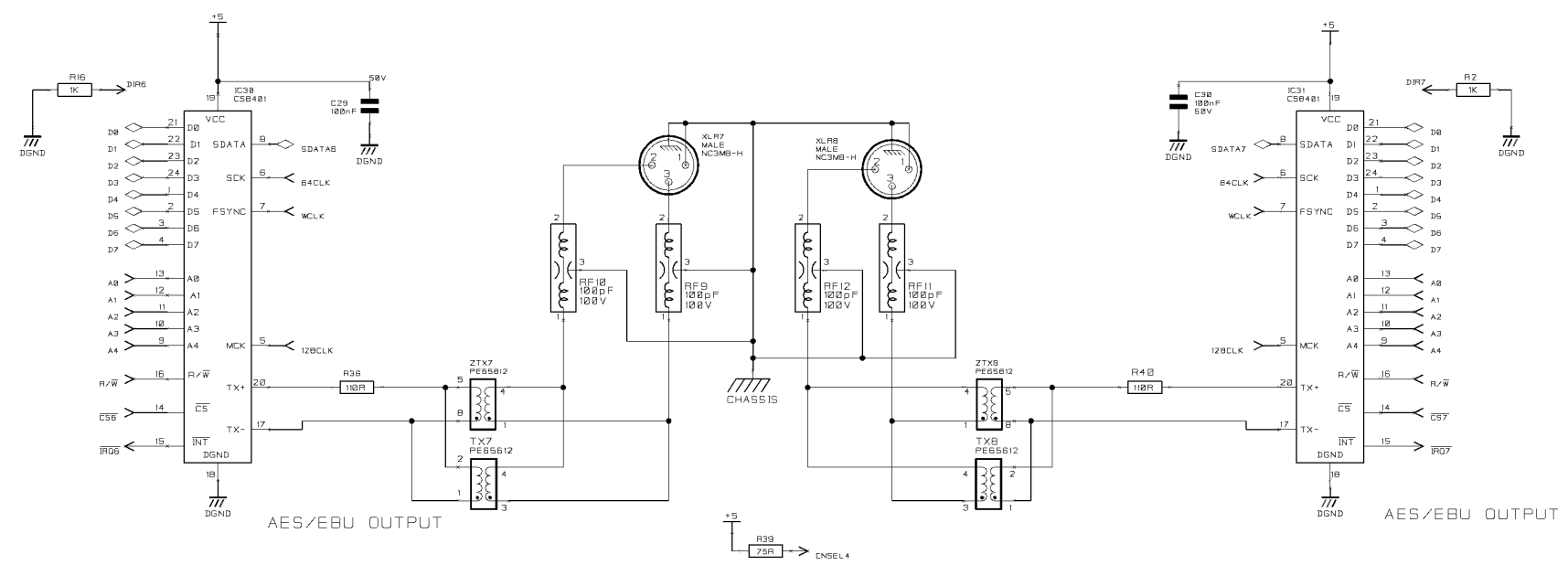
SOUNDCRAFT
 HARMAN INT. INDUSTRIES LTD.
 CRANBORNE HOUSE,
 POTTERS BAR,
 HERTS. EN6 3JN.
 TEL: 01707 665000
 FAX: 01707 660482

TITLE
RM1d-G3
 AES/EBU/SPDIF
 Input/Output Module
 Bus Interface

DRG NO. ED 4204



CHANNELS 5 & 6



CHANNELS 7 & 8

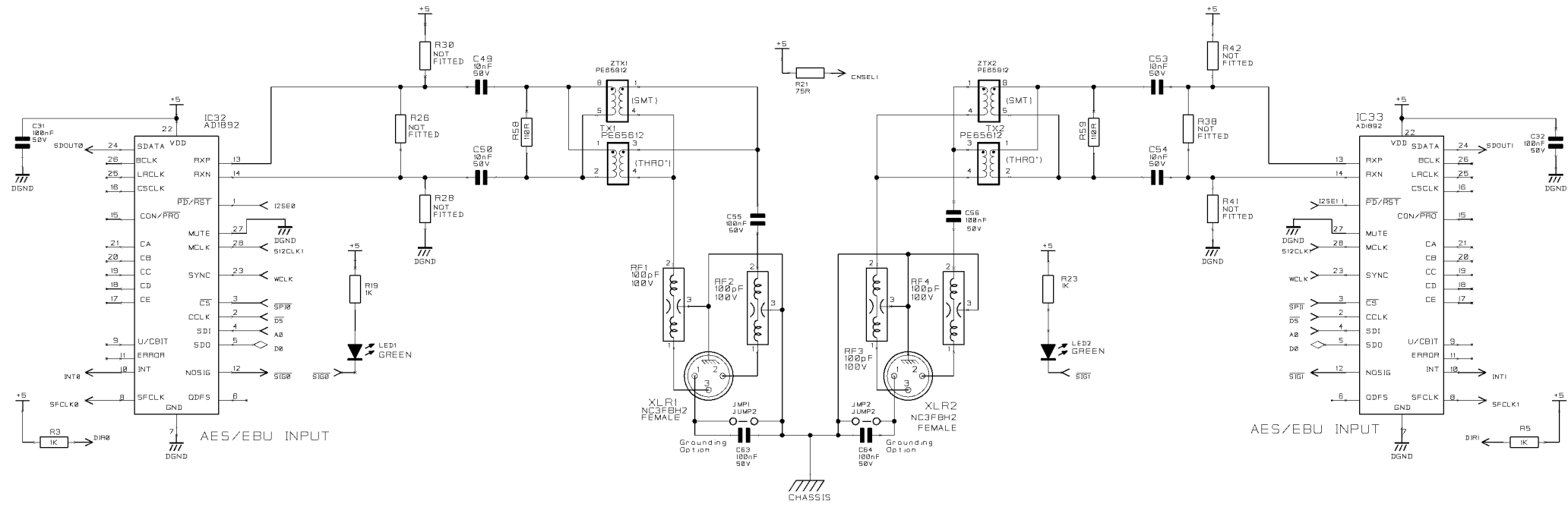
SOUNDCRAFT OWNS THE COPYRIGHT OF THIS DRAWING WHICH IS NOT TO BE COPIED, IN PART OR IN WHOLE TO A THIRD PARTY WITHOUT WRITTEN PERMISSION.

NOTES

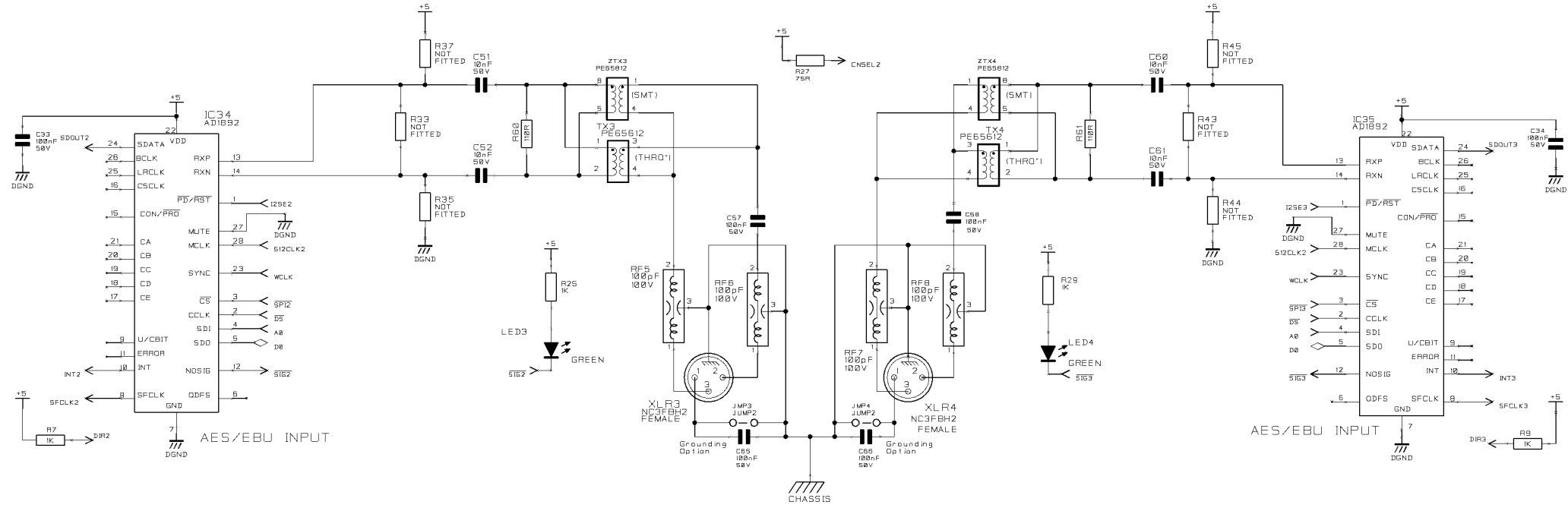
DRN. JF
10-04-02

SOUNDCRAFT
HARMAN INT. INDUSTRIES LTD.
CRANBORNE HOUSE,
CRANBORNE ROAD,
POTTERS BAR,
HERTS. EN6 3JN.
TEL: 01707 665000
FAX: 01707 660482

TITLE
RM1d-G3
AES/EBU/SPDIF
Input/Output Module
Stereo Channels 5, 6, 7 & 8
DRG NO. ED 4204



CHANNELS 1 & 2



CHANNELS 3 & 4

SOUNDCRAFT OWNS THE COPYRIGHT OF THIS DRAWING WHICH IS NOT TO BE COPIED, IN PART OR IN WHOLE TO A THIRD PARTY WITHOUT WRITTEN PERMISSION.

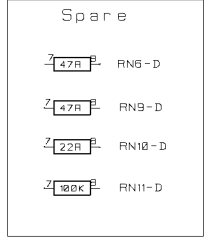
NOTES
 Option Rationale:
 Each individual stereo channel can be built as an output or an input. Inputs are realized with AD1892 receiver chips with SRC. Outputs are realized with CS8401 transmitters.
 Two connector options are available: XLR and Phono. They are corresponding to AES/EBU and SPDIF, respectively. The SPDIF (Phono) option can be selected for pairs of stereo channels if selecting AES/EBU (XLR). Inputs require female connectors and outputs require male connectors. Depending on the choice made, different component selections for resistors, capacitors etc. are required.

DRN. IF
 10-04-02

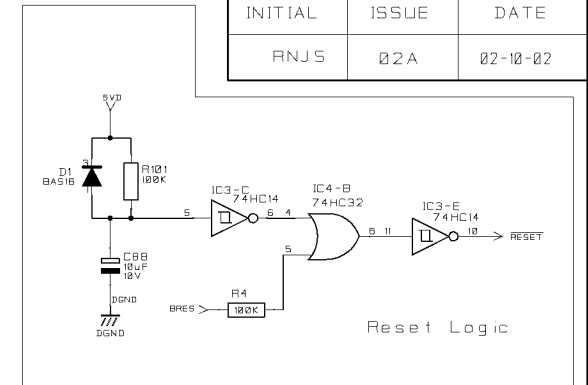
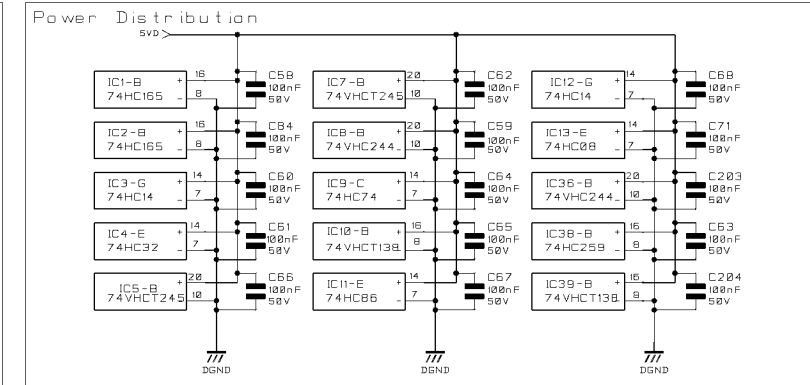
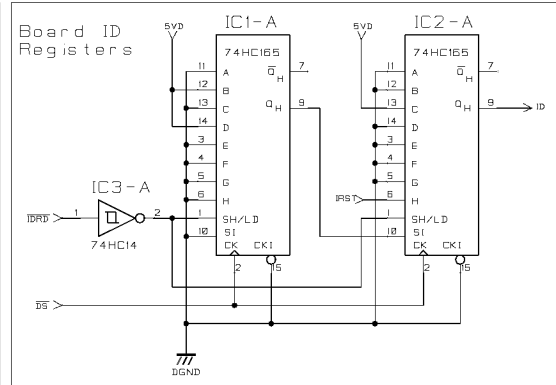
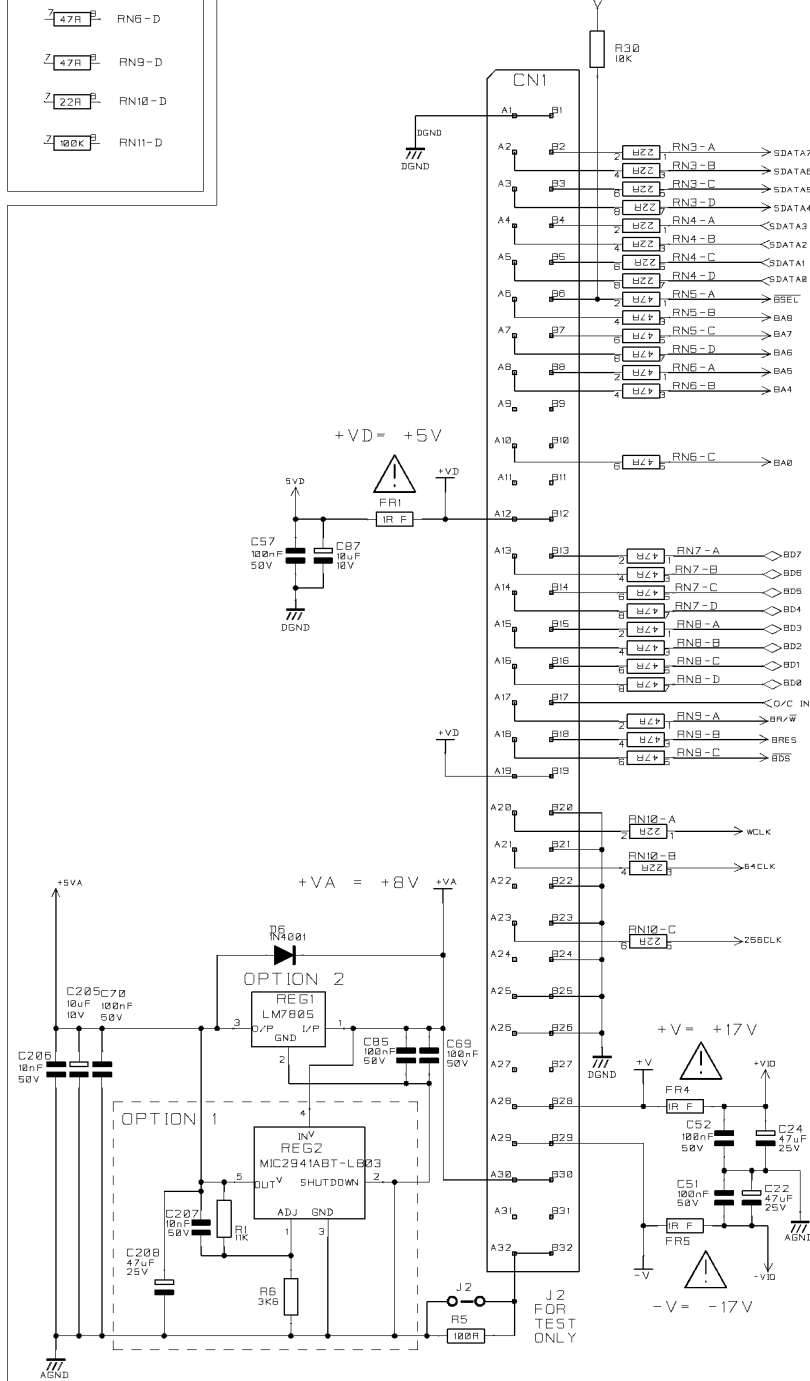
SOUNDCRAFT
 HARMAN INT. INDUSTRIES LTD.
 CRANBORNE HOUSE,
 CRANBORNE ROAD,
 POTTERS BAR,
 HERTS. EN6 3JN.
 TEL: 01707 665000
 FAX: 01707 660482

TITLE
 RM1d-G3
 AES/EBU/SPDIF
 Input/Output Module
 Stereo Channels 1, 2, 3 & 4
 DRG NO. ED 4204

DRG NO. ED4205

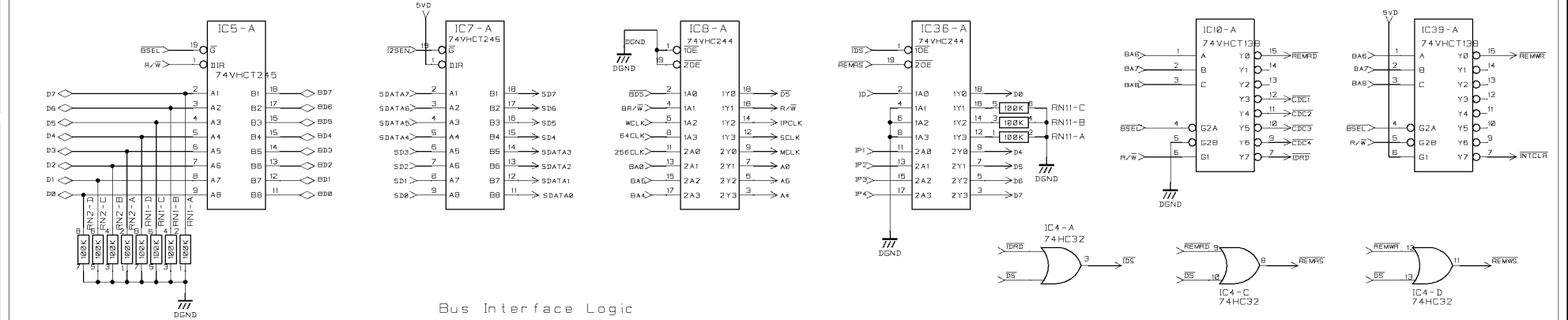
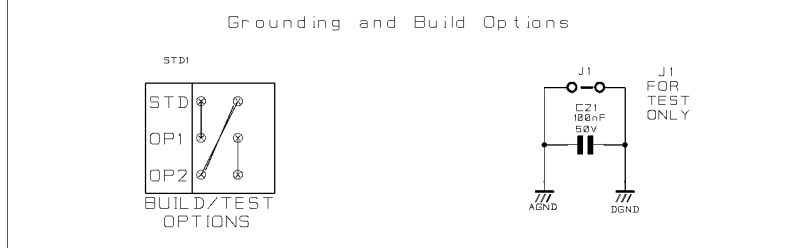
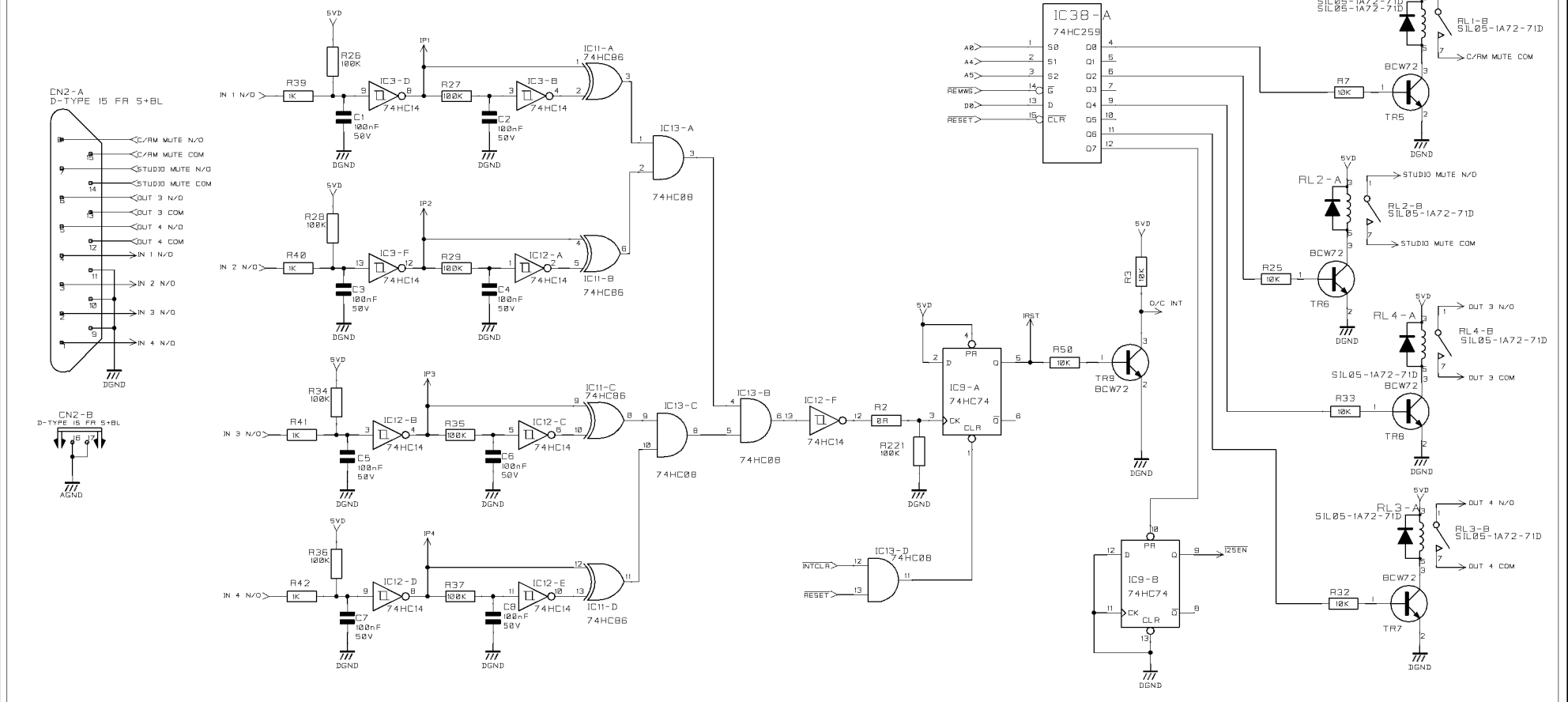


Backplane Connector



INITIAL	ISSUE	DATE
RNJS	02A	02-10-02

Remotes I/O



SOUNDCRAFT OWNS THE COPYRIGHT OF THIS DRAWING WHICH IS NOT TO BE COPIED, IN PART OR IN WHOLE TO A THIRD PARTY WITHOUT WRITTEN PERMISSION.

NOTES
REMOVE R2 TO DISABLE INTERRUPT

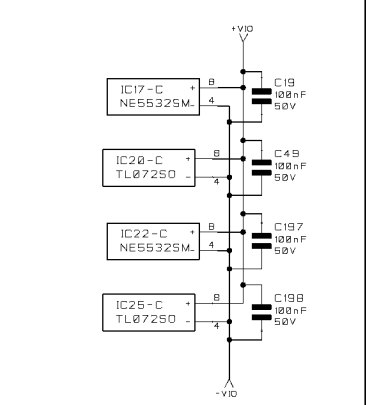
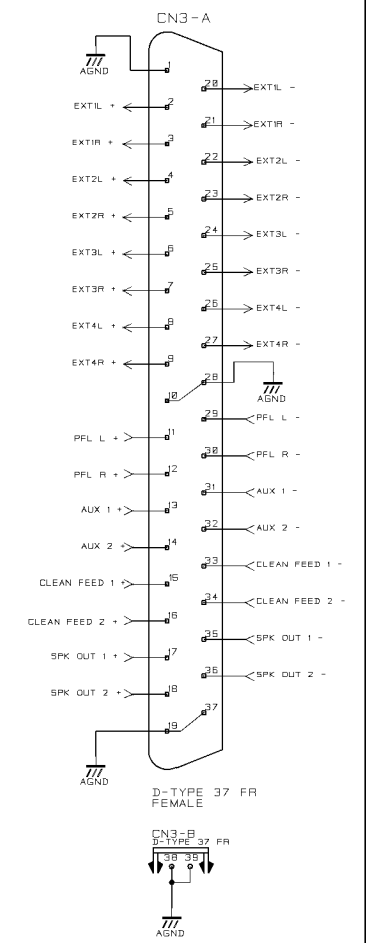
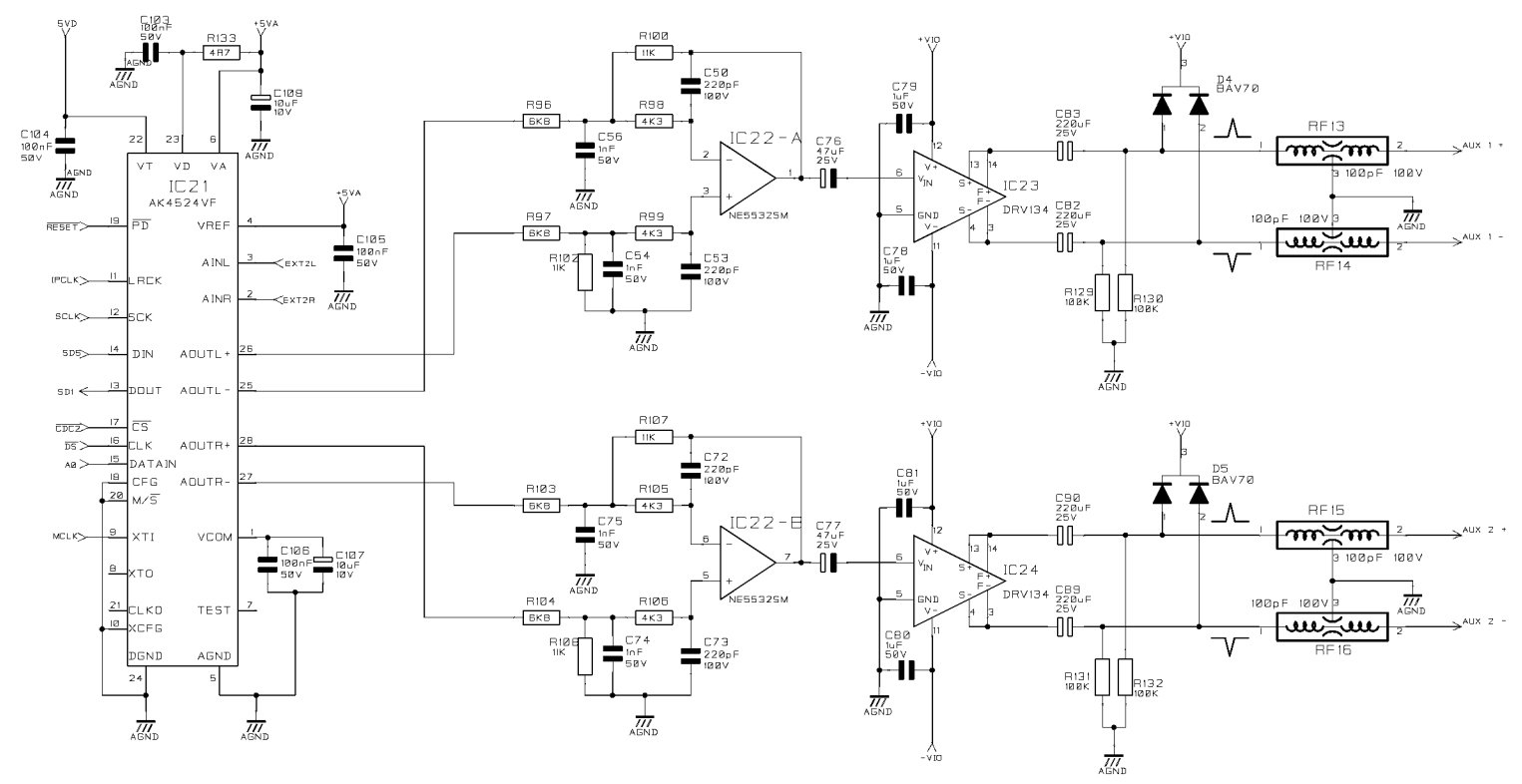
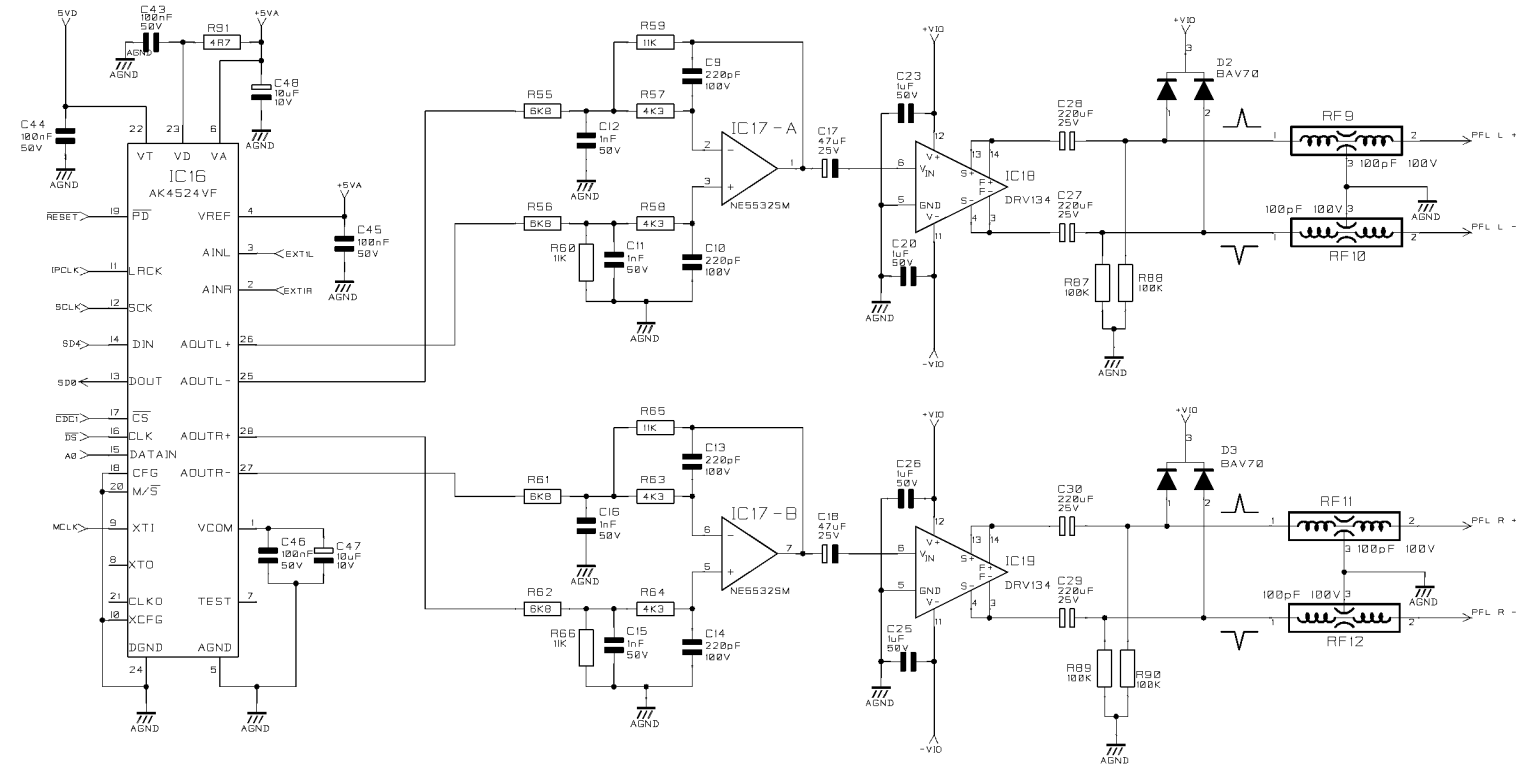
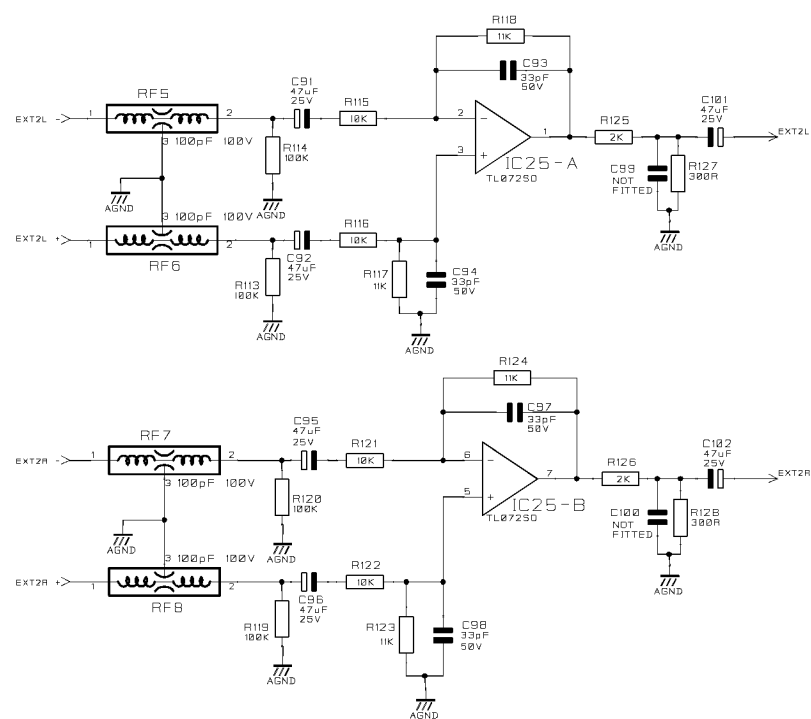
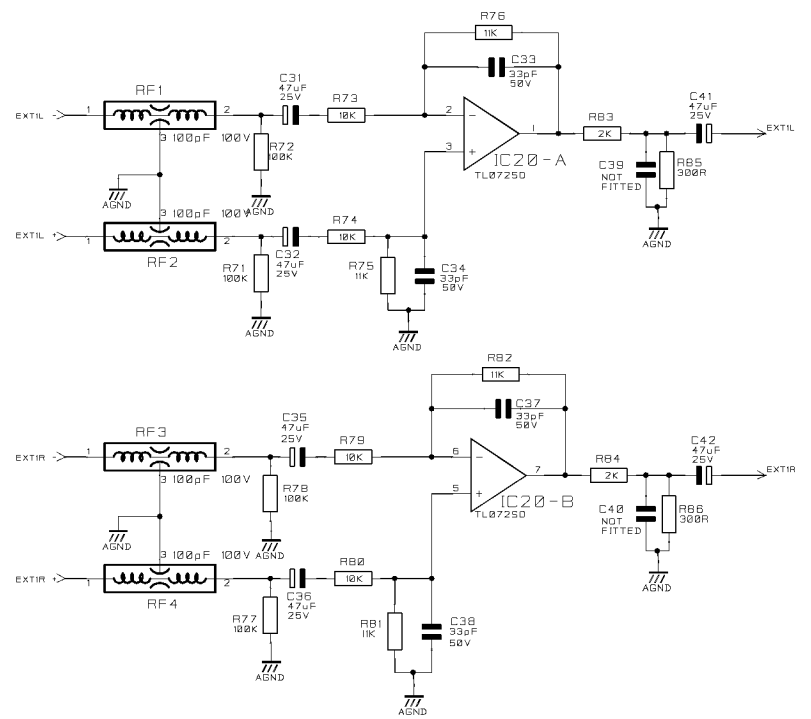
DRN. RAS/GM
DATE 25-10-99

SOUNDCRAFT
HARMAN INT. INDUSTRIES LTD.
CRANBORNE HOUSE,
CRANBORNE ROAD,
POTTERS BAR,
HERTS. EN6 3JN.
TEL: 01707 665000
FAX: 01707 660482

TITLE
RM1d-G3
ADDITIONAL ANALOGUE
INPUT/OUTPUT CARD
DRG NO. ED4205

DRG NO. ED4205

INITIAL	ISSUE	DATE
RNJS	02A	02-10-02



SOUNDCRAFT OWNS THE COPYRIGHT OF THIS DRAWING WHICH IS NOT TO BE COPIED, IN PART OR IN WHOLE TO A THIRD PARTY WITHOUT WRITTEN PERMISSION.

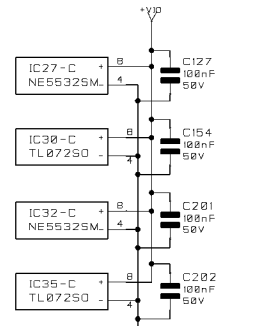
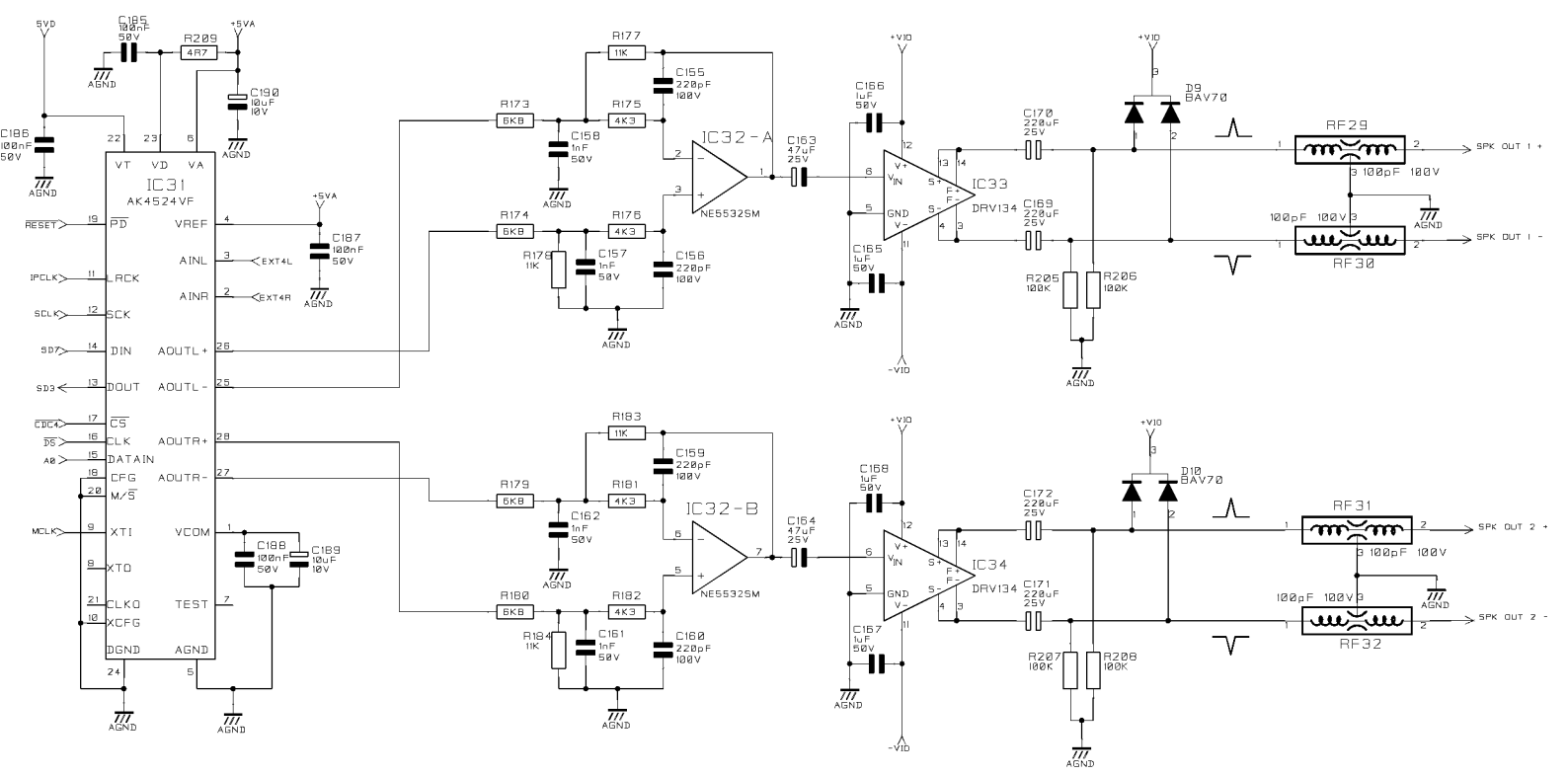
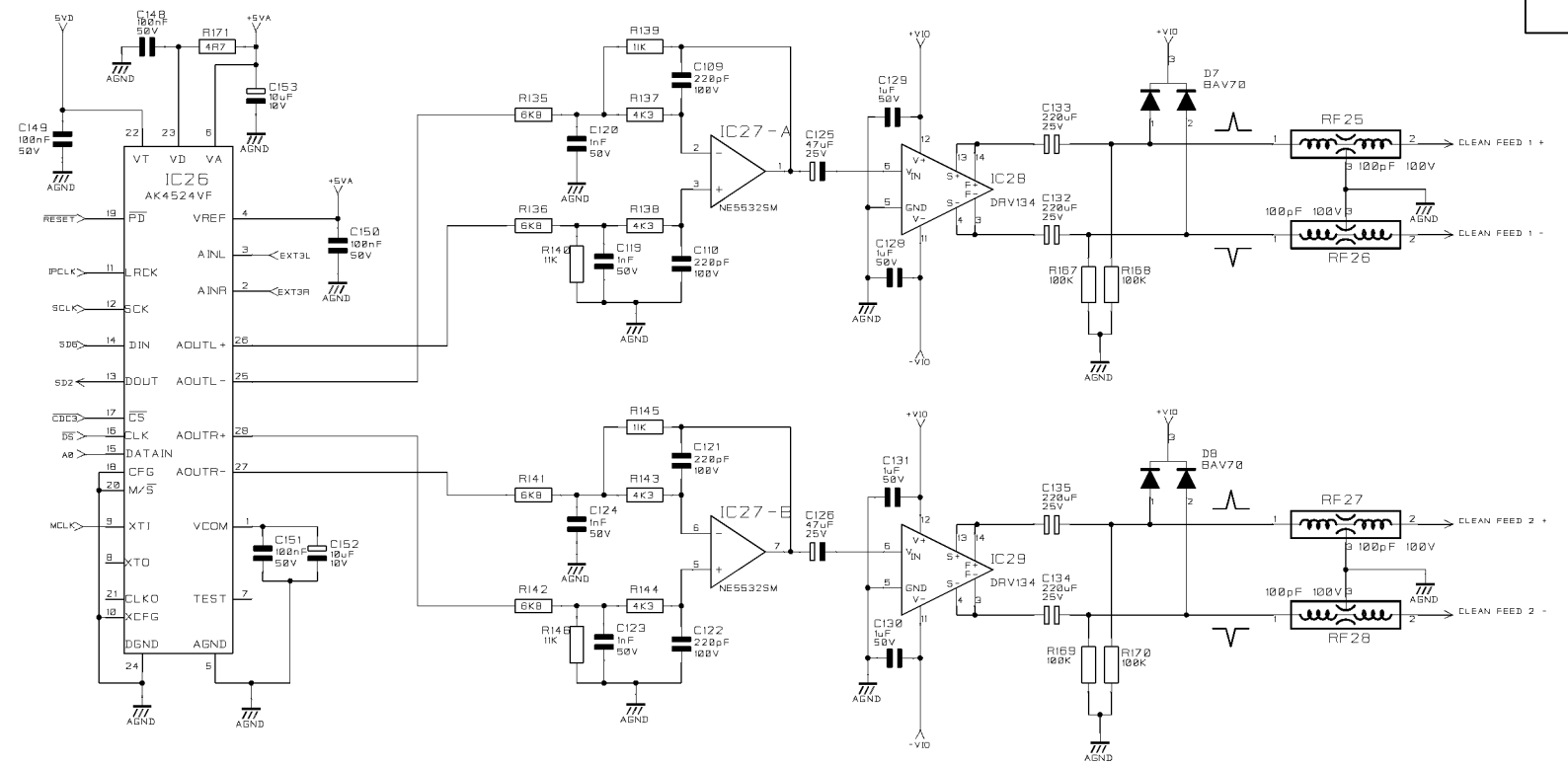
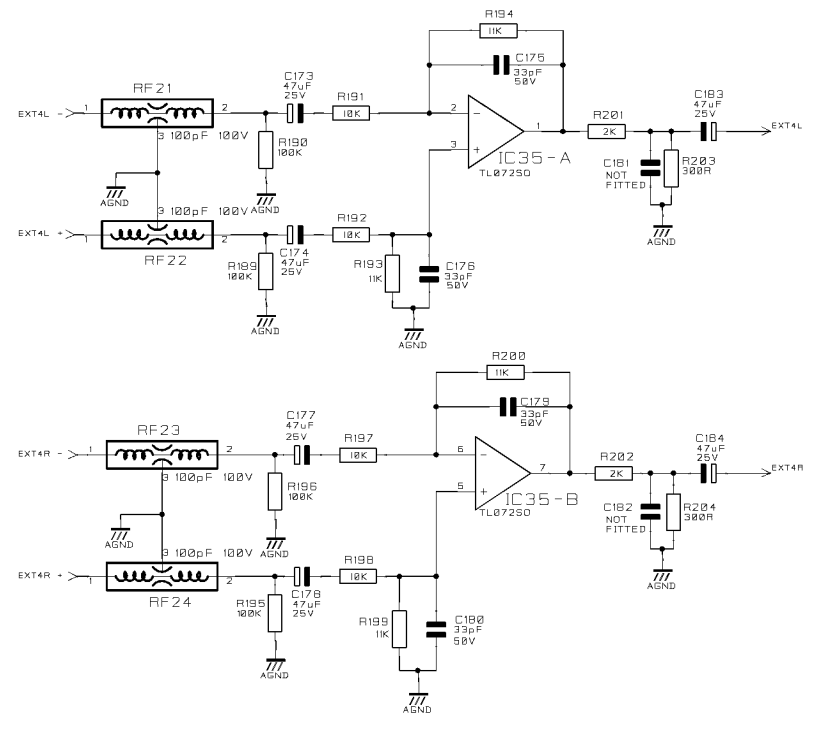
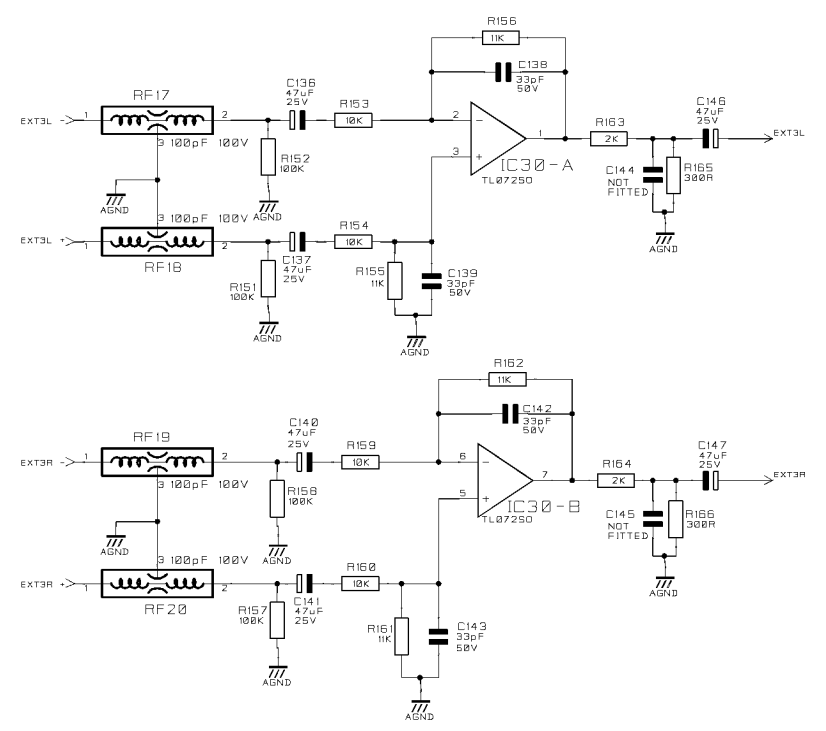
NOTES

DRN. RAS/GM
DATE 25-10-99

SOUNDCRAFT
HARMAN INT. INDUSTRIES LTD.
CRANBORNE HOUSE,
CRANBORNE ROAD,
POTTERS BAR,
HERTS. EN6 3JN.
TEL: 01707 665000
FAX: 01707 660482

TITLE
RM1d-G3
ADDITIONAL ANALOGUE
INPUT/OUTPUT CARD
DRG NO. ED4205

INITIAL	ISSUE	DATE
RNJS	02A	02-10-02



SOUNDCRAFT OWNS THE COPYRIGHT OF THIS DRAWING WHICH IS NOT TO BE COPIED, IN PART OR IN WHOLE TO A THIRD PARTY WITHOUT WRITTEN PERMISSION.

NOTES

DRN. RAS/GM
DATE 25-10-99

SOUNDCRAFT
HARMAN INT. INDUSTRIES LTD.
CRANBORNE HOUSE,
CRANBORNE ROAD,
POTTERS BAR,
HERTS. EN6 3JN.
TEL: 01707 665000
FAX: 01707 660482

TITLE
RM1d-G3
ADDITIONAL ANALOGUE
INPUT/OUTPUT CARD
DRG NO. ED4205

INITIAL	ISSUE	DATE
IF	01A	12-06-02

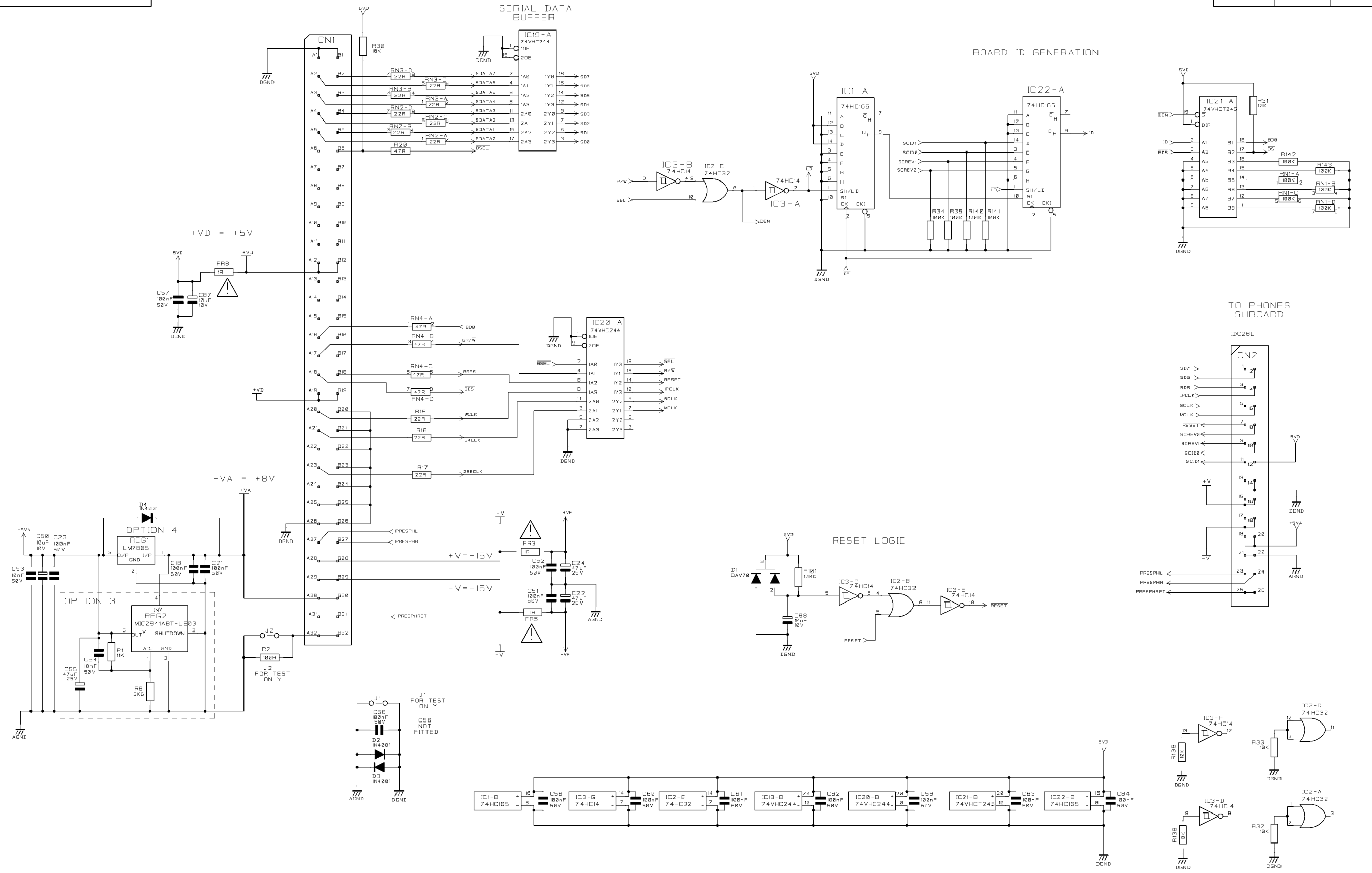
BACKPLANE CONNECTOR

SERIAL DATA BUFFER

BOARD ID GENERATION

TO PHONES SUBCARD

RESET LOGIC



SOUNDCRAFT OWNS THE COPYRIGHT OF THIS DRAWING WHICH IS NOT TO BE COPIED, IN PART OR IN WHOLE TO A THIRD PARTY WITHOUT WRITTEN PERMISSION.

- NOTES
- FOR TTL LEVEL BUS CHANGE 74VHC244 FOR 74VHCT244A.
 - FOR OPTION 3 DO NOT FIT REG1.
 - FOR OPTION 4 DO NOT FIT COMPONENTS SHOWN IN BOX MARKED OPTION 3.

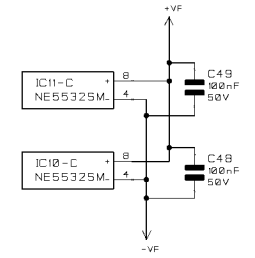
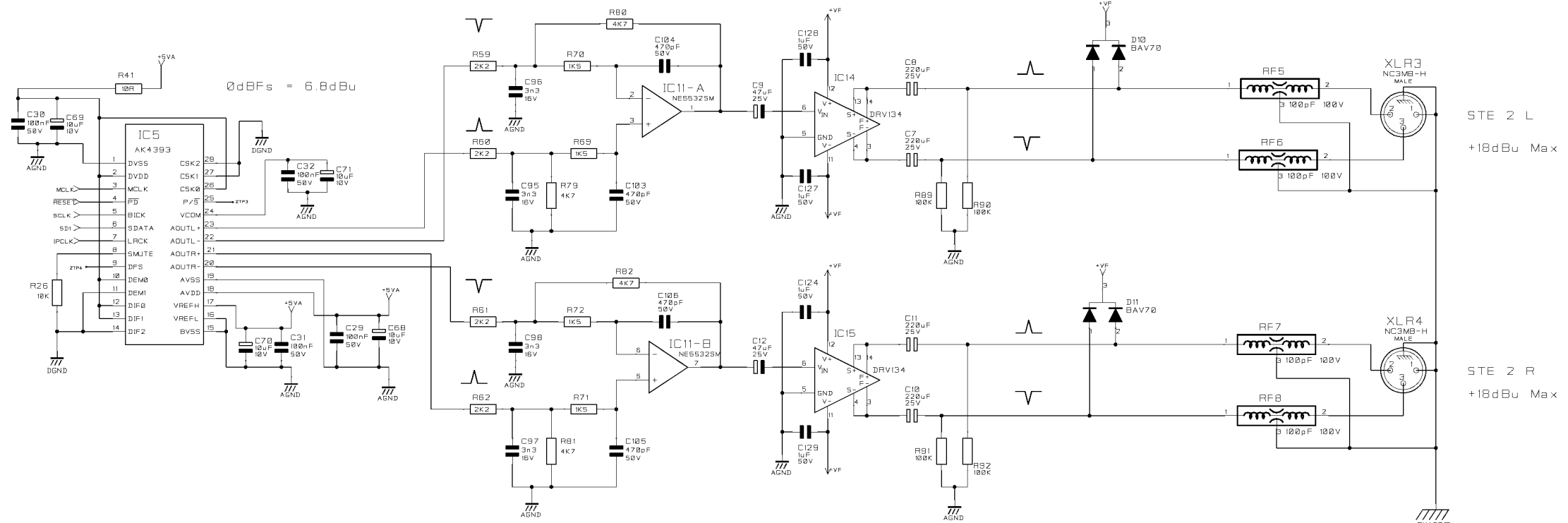
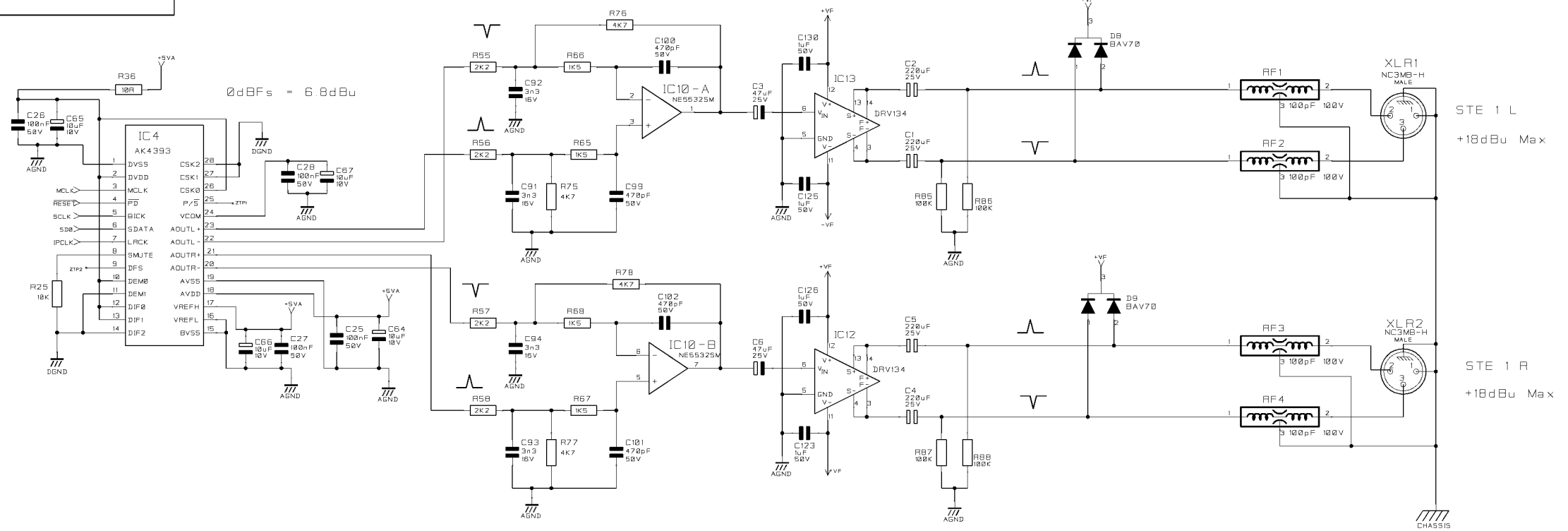
DRN. RAS
DATE 16-09-99

SOUNDCRAFT
HARMAN INT. INDUSTRIES LTD.
CRANBORNE HOUSE,
CRANBORNE ROAD,
POTTERS BAR,
HERTS. EN6 3JN.
TEL: 01707 665000
FAX: 01707 660482

TITLE
RM1d - G3
ANALOGUE OUTPUT CARD

DRG NO. ED4206

INITIAL	ISSUE	DATE
IF	01A	12-06-02



SOUNDCRAFT OWNS THE COPYRIGHT OF THIS DRAWING WHICH IS NOT TO BE COPIED, IN PART OR IN WHOLE TO A THIRD PARTY WITHOUT WRITTEN PERMISSION.

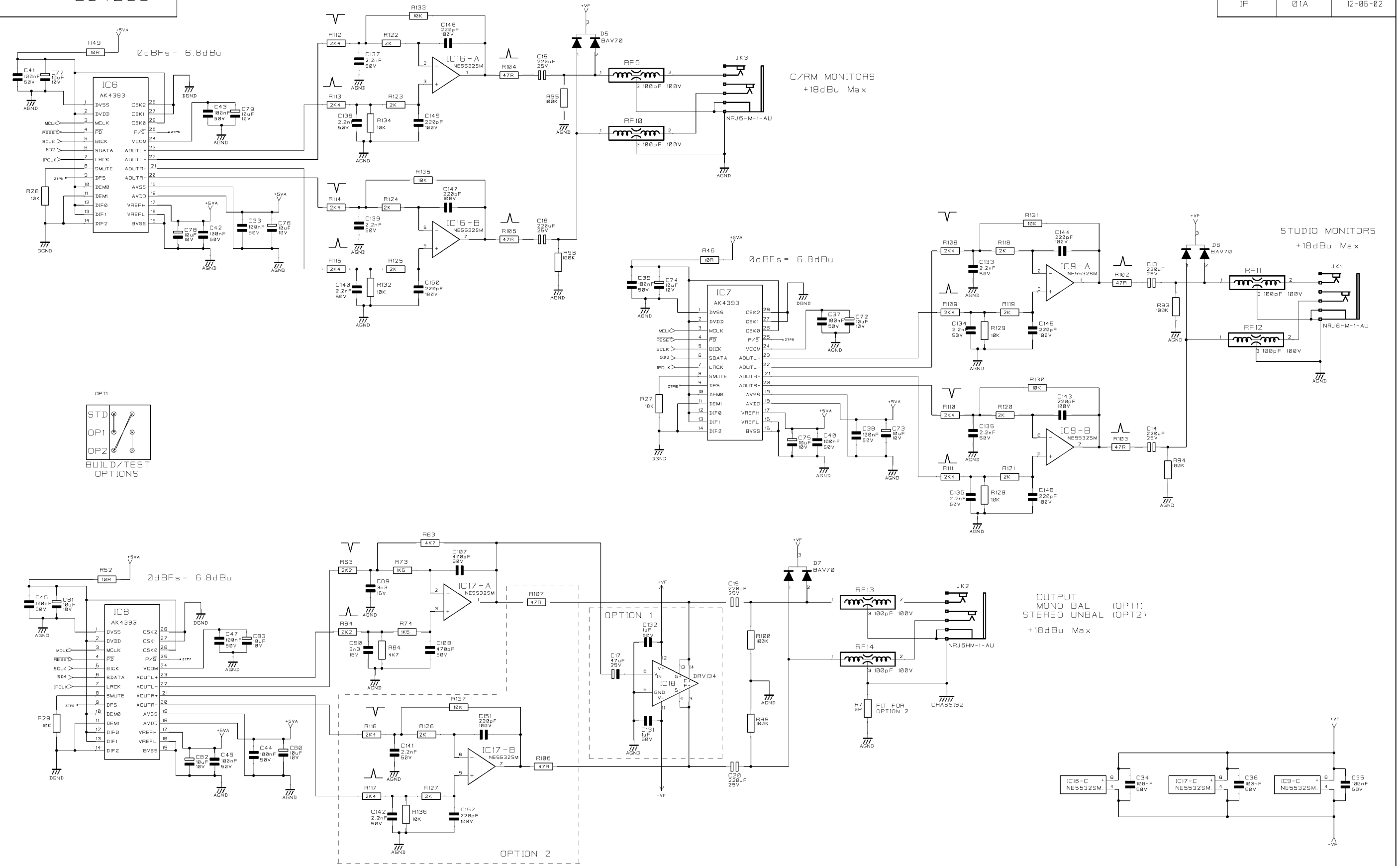
NOTES

DRN. RAS
DATE 16-09-99

SOUNDCRAFT
HARMAN INT. INDUSTRIES LTD.
CRANBORNE HOUSE,
CRANBORNE ROAD,
POTTERS BAR,
HERTS. EN6 3JN.
TEL: 01707 665000
FAX: 01707 660482

TITLE
RM1d-G3
ANALOGUE OUTPUT CARD
DRG NO. ED4206

INITIAL	ISSUE	DATE
IF	01A	12-06-02



SOUNDCRAFT OWNS THE COPYRIGHT OF THIS DRAWING WHICH IS NOT TO BE COPIED, IN PART OR IN WHOLE TO A THIRD PARTY WITHOUT WRITTEN PERMISSION.

NOTES FOR OPTION 1 (MONO BALANCED OUTPUT) DO NOT FIT COMPONENTS SHOWN IN OPTION 2 BOX. INSTEAD FIT 0R RESISTORS IN R126,R127,R136,R137.
 FOR OPTION 2 (STEREO UNBALANCED OUTPUT) DO NOT FIT COMPONENTS SHOWN IN OPTION 1 BOX AND CHANGE THE FOLLOWING COMPONENT VALUES.
 CHANGE: R63, R64 FROM 2K2 TO 2K4.
 R73, R74 FROM 1K5 TO 2K.
 R83, R84 FROM 4K7 TO 10K.
 C89, C90 FROM 3N3 TO 2N2.
 C107, C108 FROM 470P TO 220P.

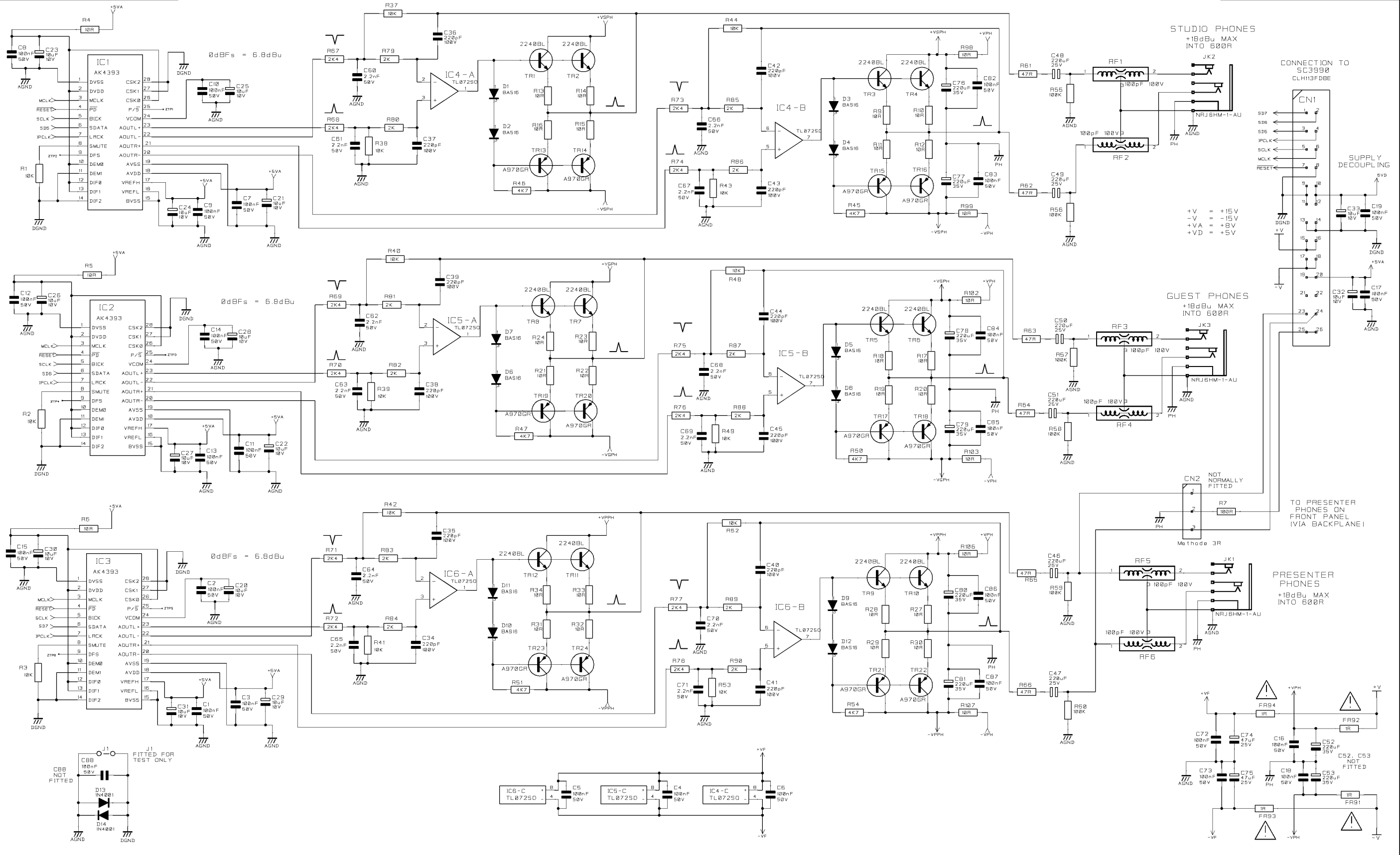
DRN. RAS
 DATE 16-09-99

SOUNDCRAFT
 HARMAN INT. INDUSTRIES LTD.
 CRANBORNE HOUSE,
 CRANBORNE ROAD,
 POTTERS BAR,
 HERTS. EN6 3JN.
 TEL: 01707 665000
 FAX: 01707 660482

TITLE RM1d-G3
 ANALOGUE OUTPUT CARD
 DRG NO. ED4206

DRG NO. ED4207

INITIAL	ISSUE	DATE
RNJ5	02A	02-10-02



SOUNDCRAFT OWNS THE COPYRIGHT OF THIS DRAWING WHICH IS NOT TO BE COPIED, IN PART OR IN WHOLE TO A THIRD PARTY WITHOUT WRITTEN PERMISSION.

NOTES

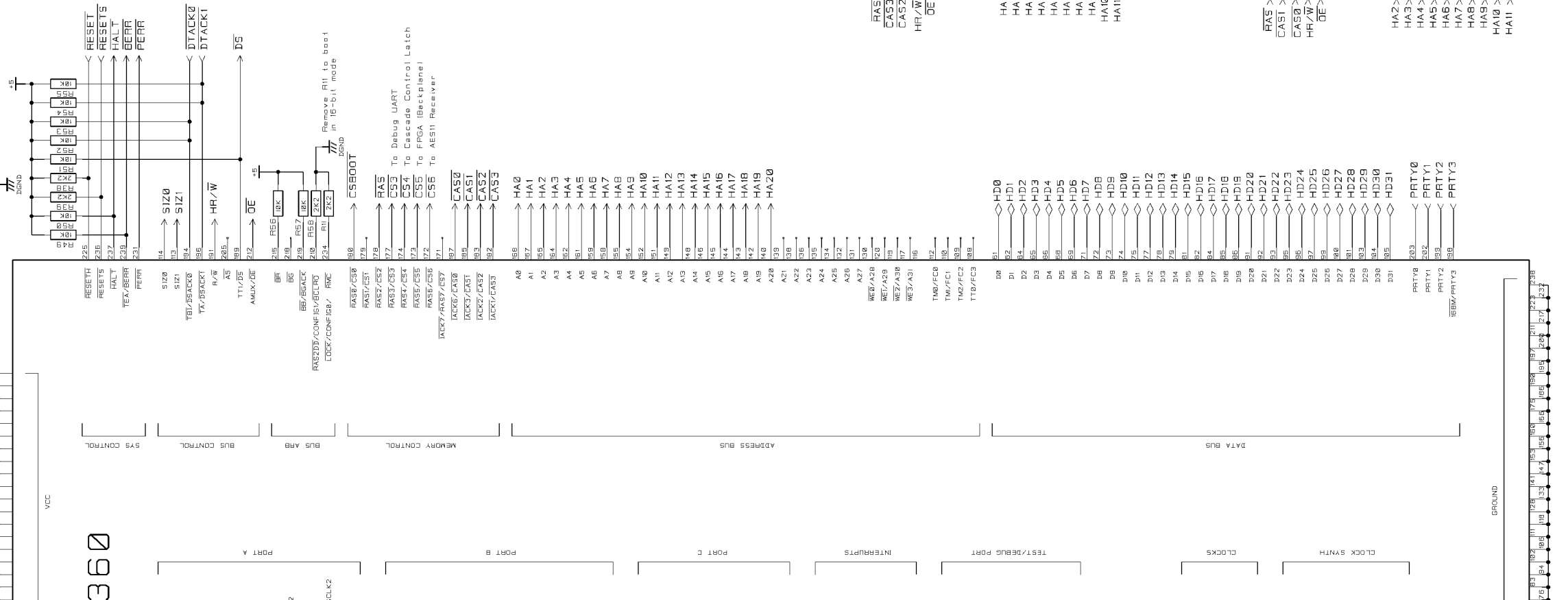
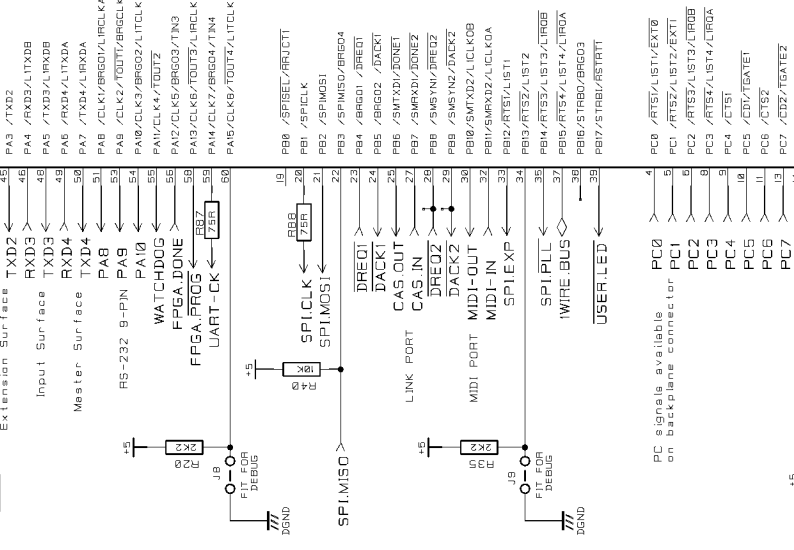
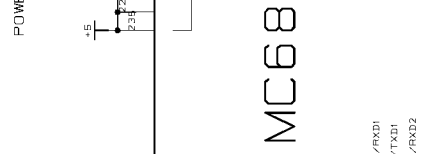
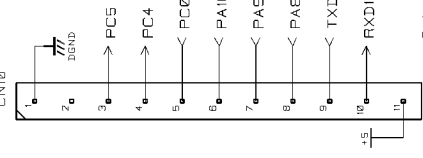
DRN. RAS
DATE 17-09-99

SOUNDCRAFT
HARMAN INT. INDUSTRIES LTD.
CRANBORNE HOUSE,
CRANBORNE ROAD,
POTTERS BAR,
HERTS. EN6 3JN.
TEL: 01707 665000
FAX: 01707 660482

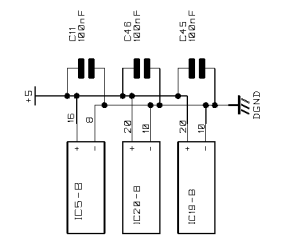
TITLE
RM1d - G3
HEADPHONES SUBCARD PCB
DRG NO. ED4207

DRG NO. ED 4208

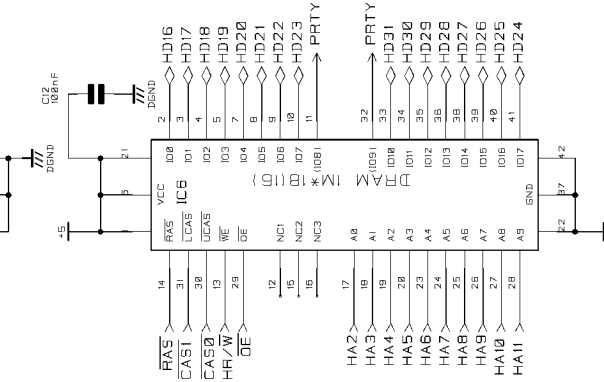
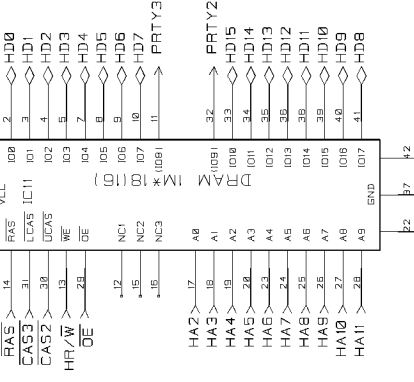
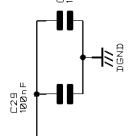
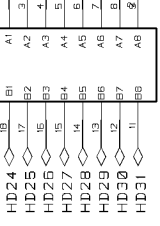
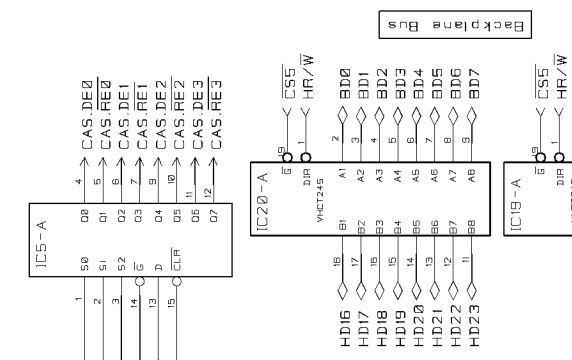
IC10
MC68EN360-25



INITIAL ISSUE DATE
IF/RS 02A 09-10-02

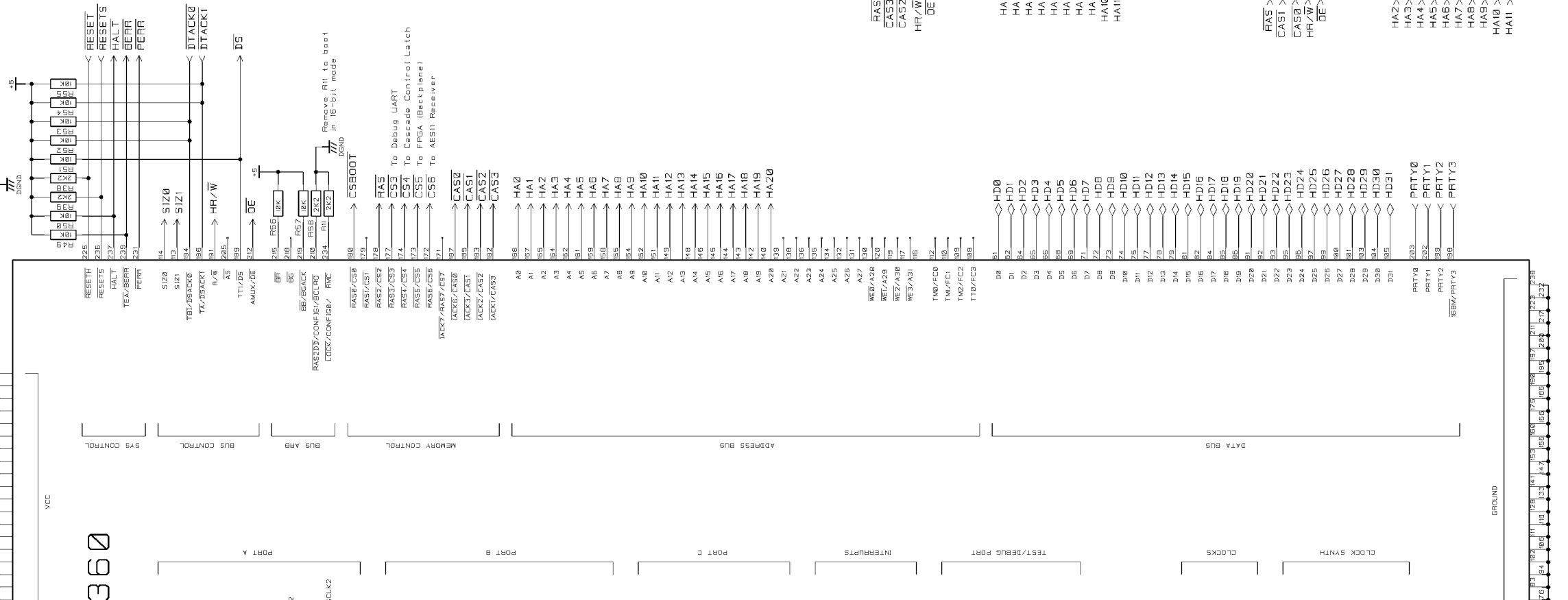
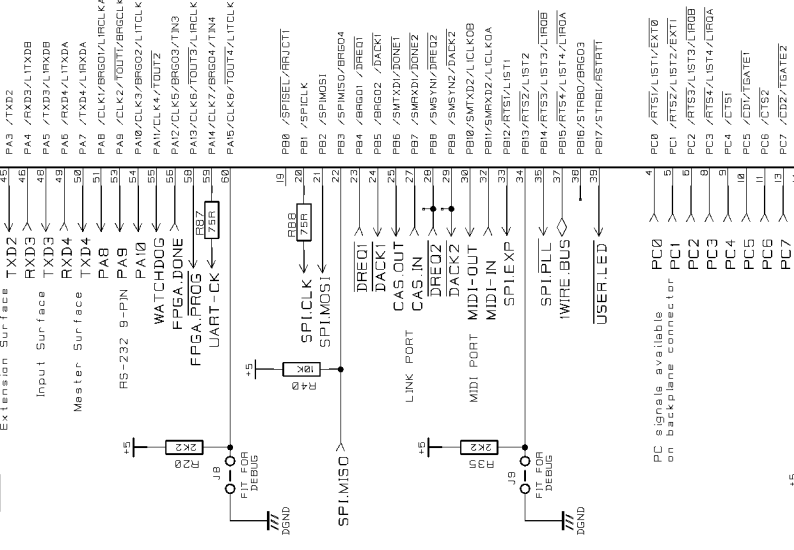
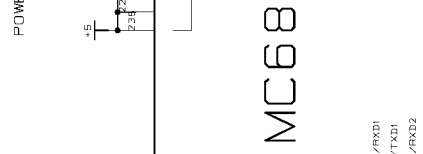
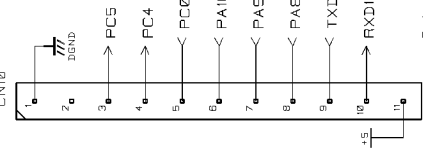


CASCADE LATCH

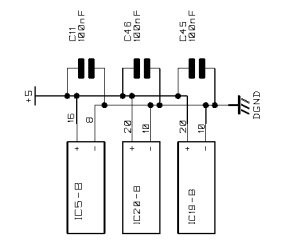


DRG NO. ED 4208

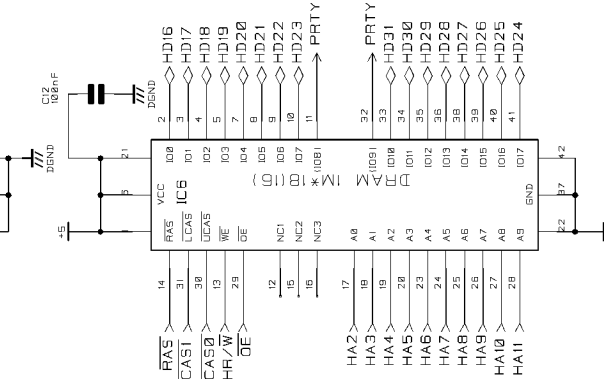
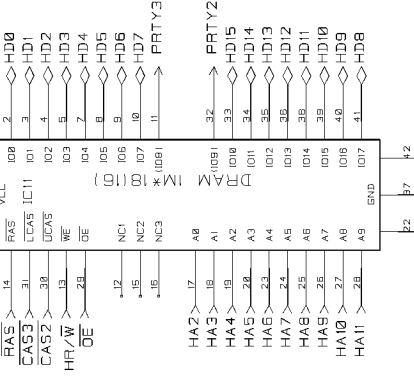
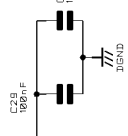
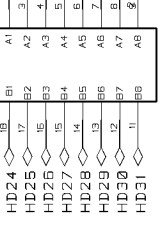
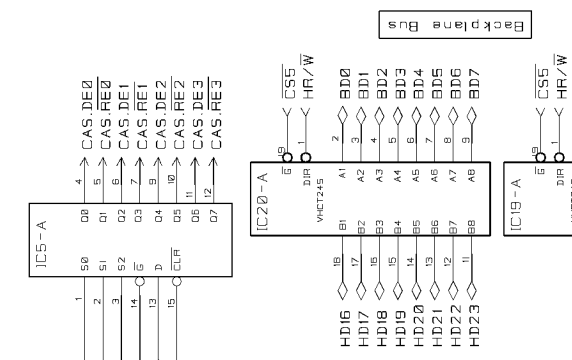
IC10
MC68EN360-25



INITIAL ISSUE DATE
IF/RS 02A 09-10-02



CASCADE LATCH



NOTES
SOUNDCRAFT OWNS THE COPYRIGHT OF THIS DRAWING WHICH IS NOT TO BE COPIED, IN PART OR IN WHOLE TO A THIRD PARTY WITHOUT WRITTEN PERMISSION.

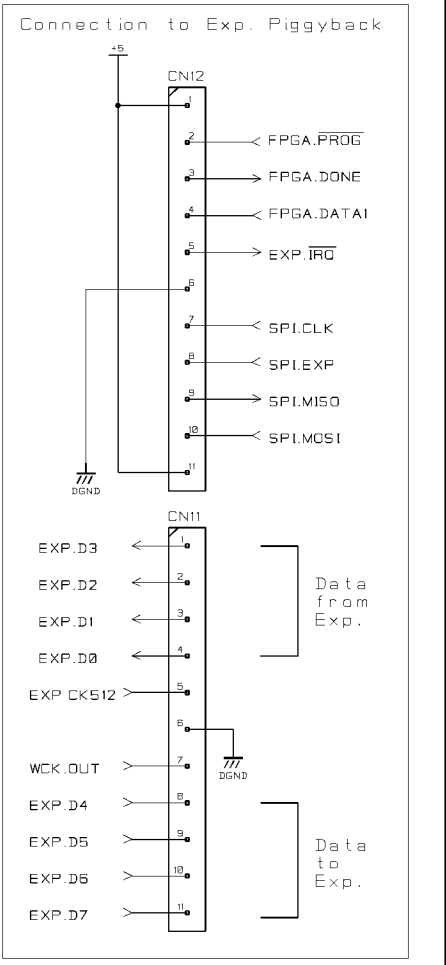
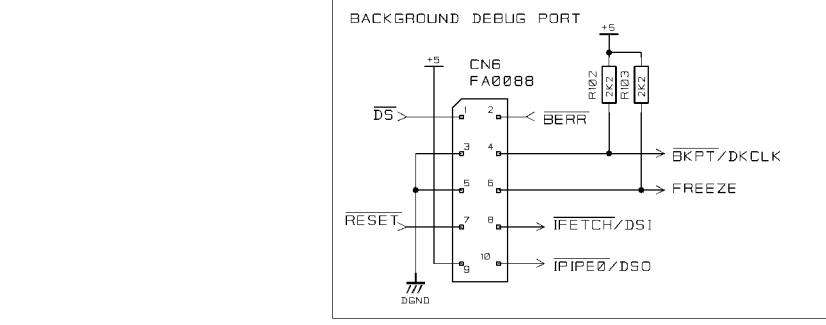
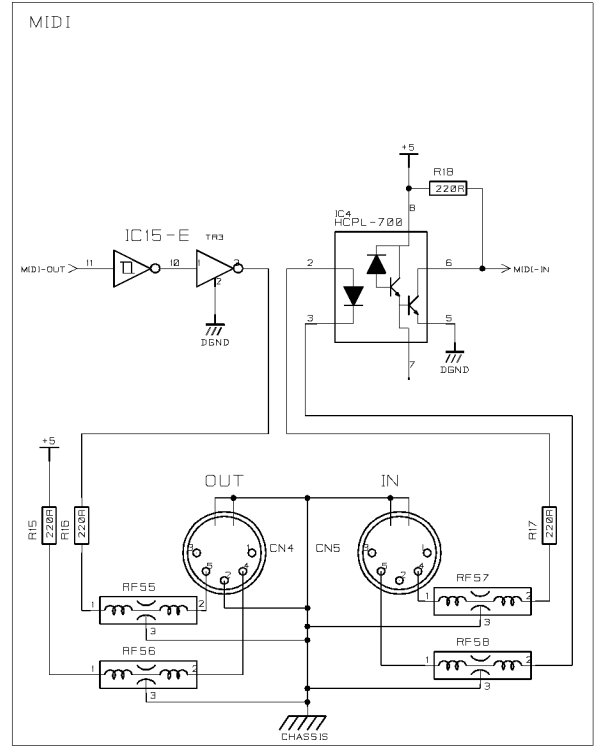
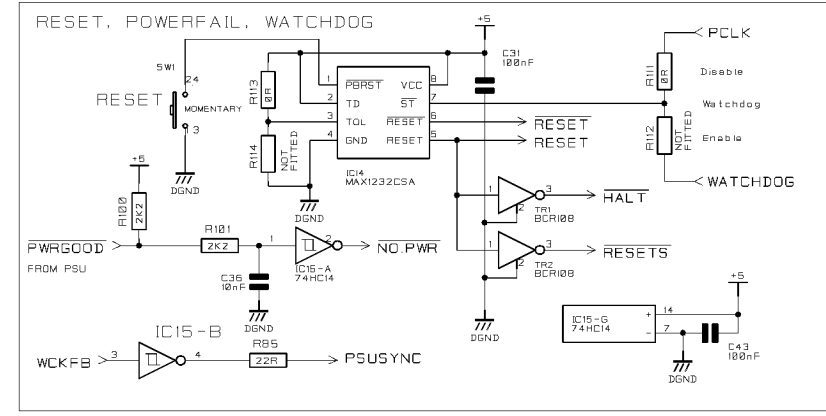
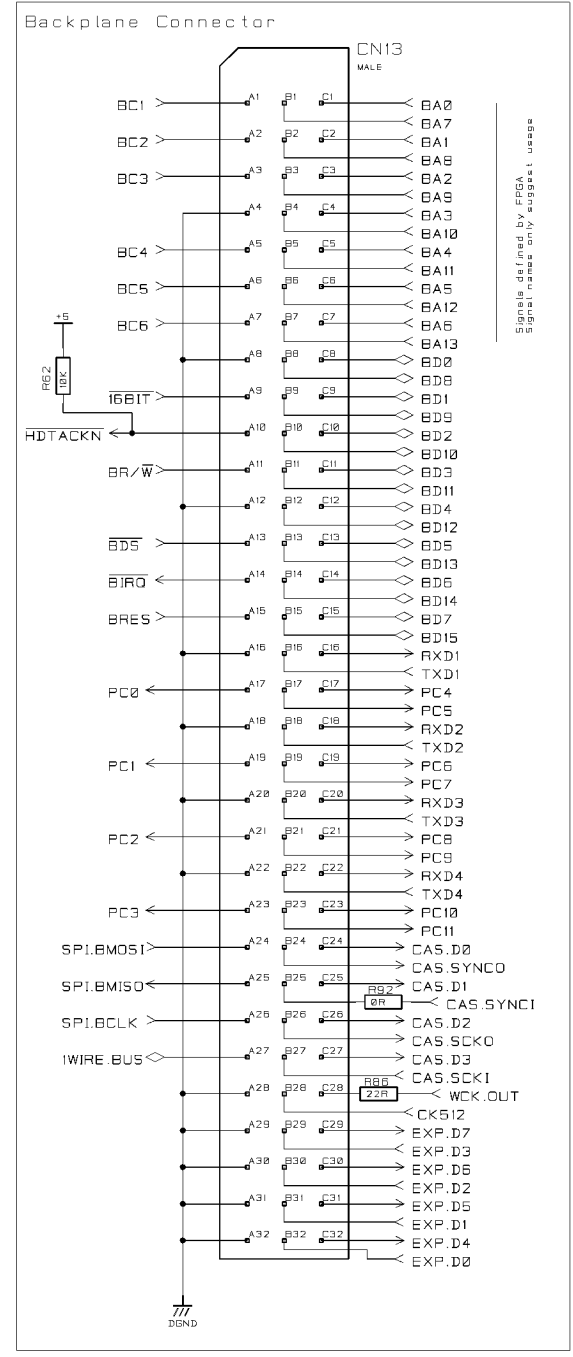
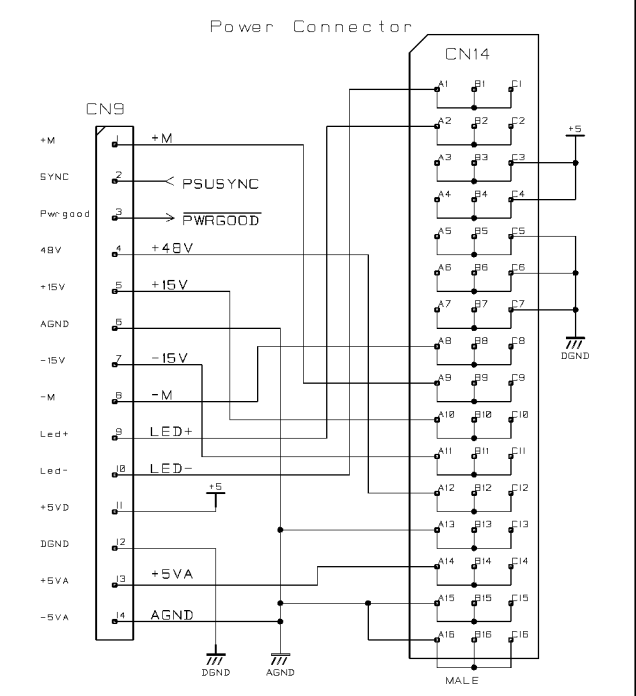
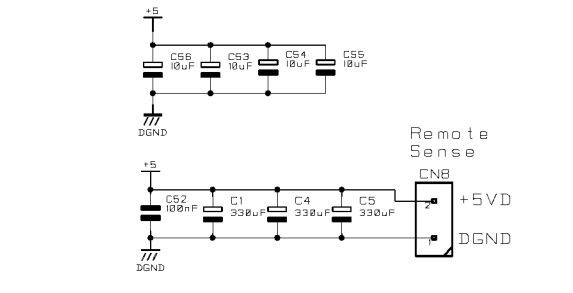
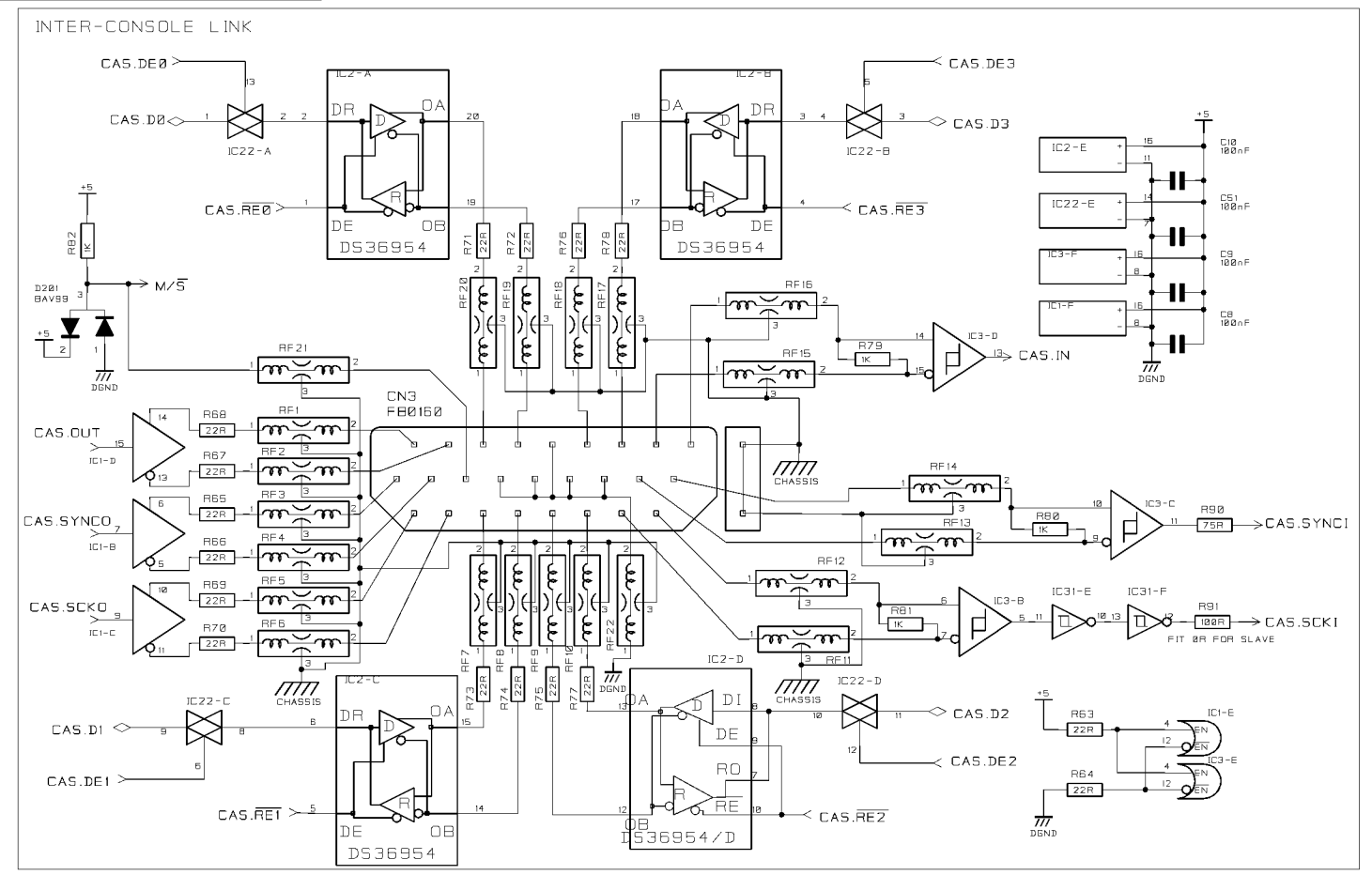
DN.

SOUNDCRAFT INDUSTRIES LTD.
HARMAN INT. HOUSE,
CRANBORNE ROAD,
POTTERS BAR,
HERTS. EN6 3JN.
TEL: 01707 665000
FAX: 01707 660482

TITLE
Rm1D CPU (G3)
CONTROL PROCESSOR

DRG NO. ED 4208

INITIAL	ISSUE	DATE
IF/RS	02A	09/10/02



SOUNDCRAFT OWNS THE COPYRIGHT OF THIS DRAWING WHICH IS NOT TO BE COPIED, IN PART OR IN WHOLE TO A THIRD PARTY WITHOUT WRITTEN PERMISSION.

NOTES

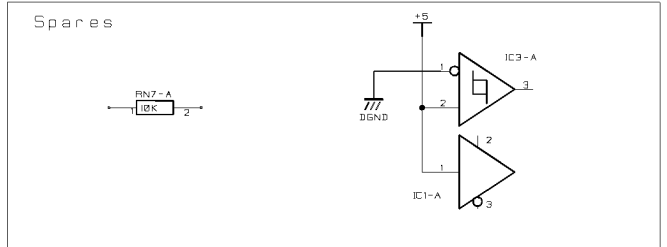
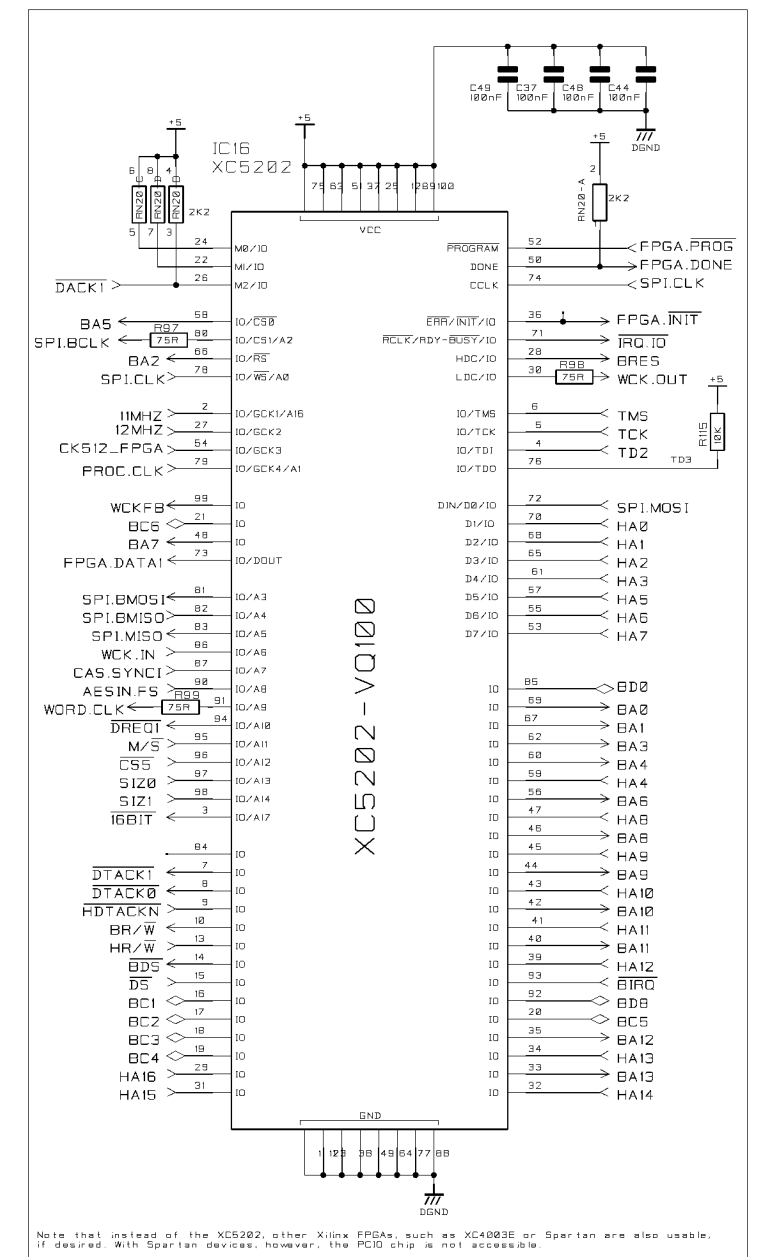
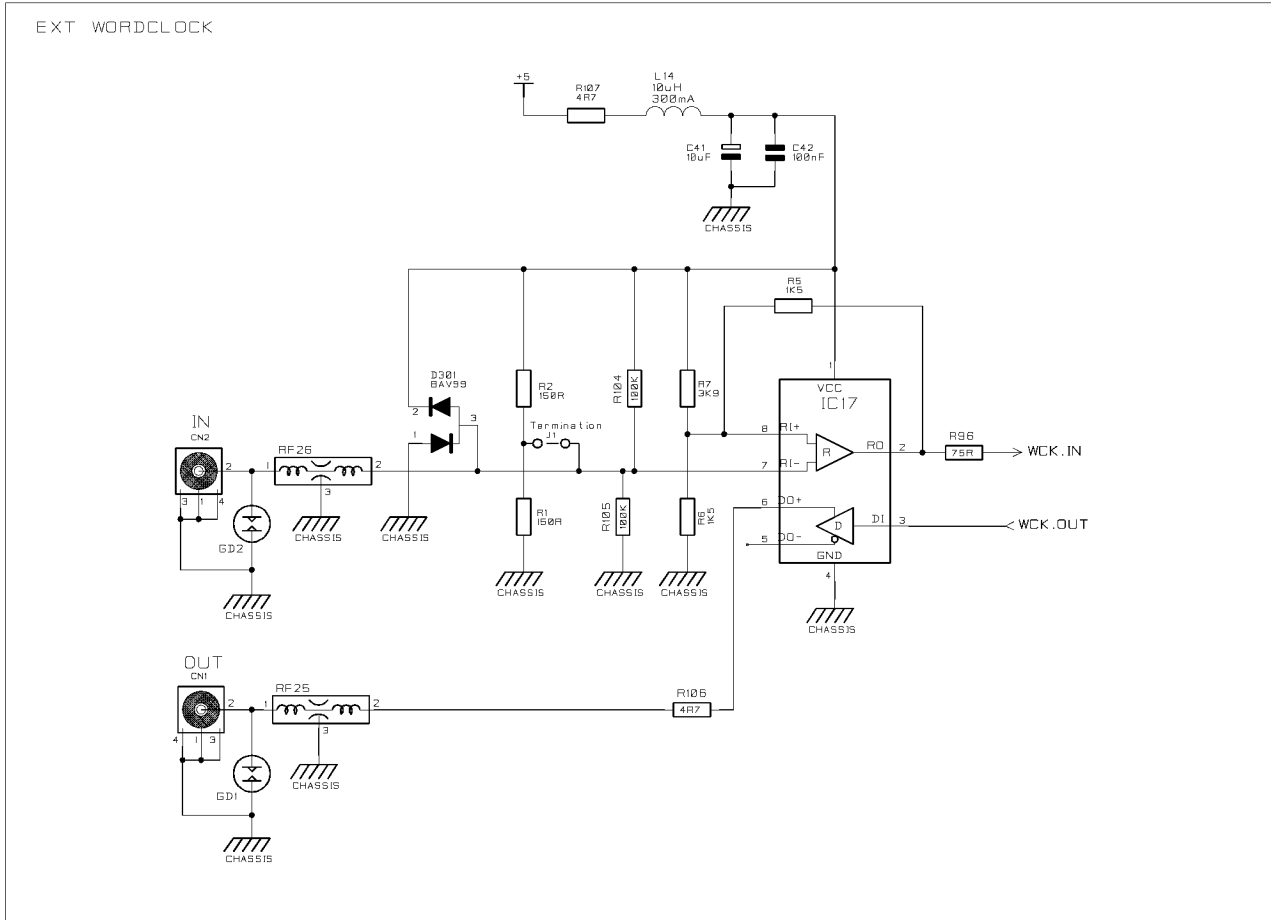
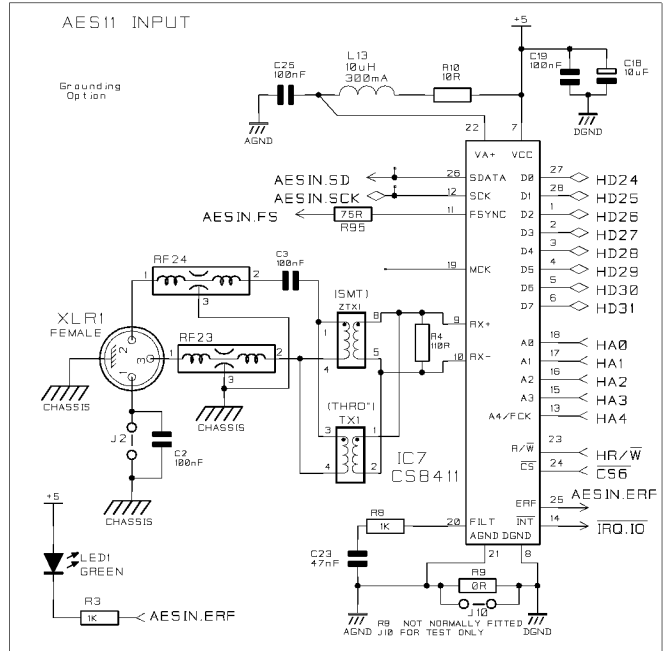
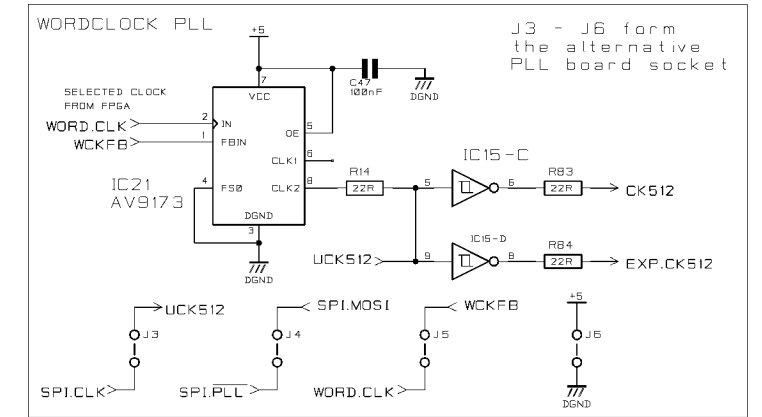
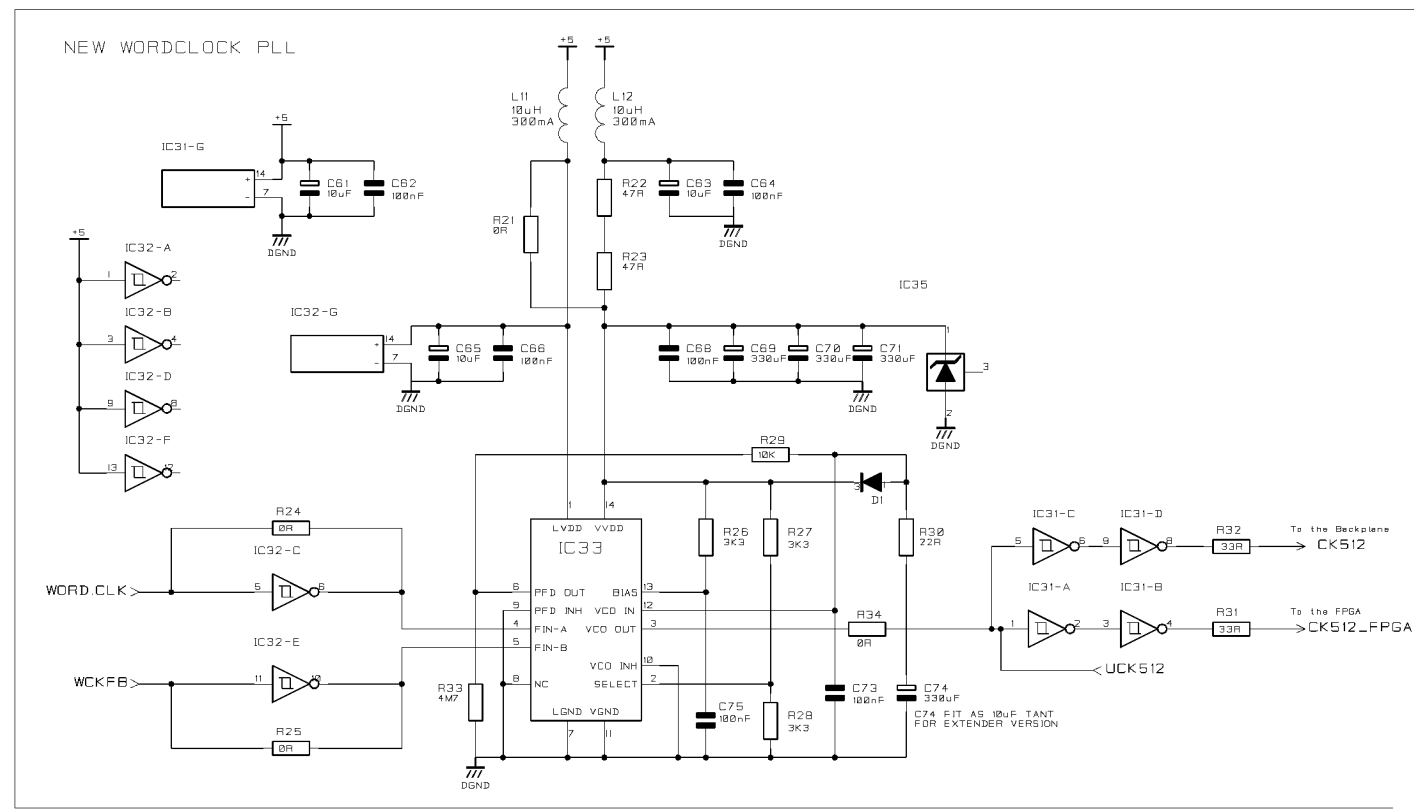
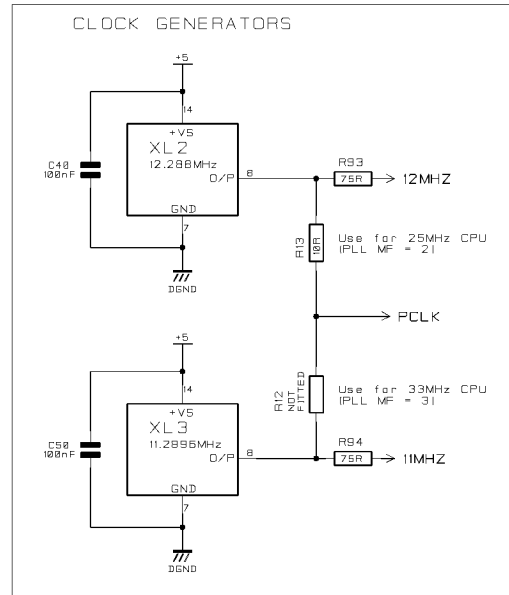
There is a degree of freedom in the implementation of the backplane bus interface. Most control signals are provided by the system FPGA, which opens the possibility of defining the bus protocol by software, giving some flexibility in system implementation. If the Digital 328 power supply is used, -5VA is not available and connected to AGND.

DRN. STJ
12-08-98

SOUNDCRAFT
HARMAN INT. INDUSTRIES LTD.
CRANBORNE HOUSE,
CRANBORNE ROAD,
POTTERS BAR,
HERTS. EN6 3JN.
TEL: 01707 665000
FAX: 01707 660482

TITLE
Rm1D CPU (G3)
I/O INTERFACE

DRG NO. ED 4208



SOUNDCRAFT OWNS THE COPYRIGHT OF THIS DRAWING WHICH IS NOT TO BE COPIED, IN PART OR IN WHOLE TO A THIRD PARTY WITHOUT WRITTEN PERMISSION.

NOTES
The following components are not fitted
R9, R14, R24, R25, R27, R33
J3, J4, J5, J6
L11
C47
IC21
D1
GD1, GD2

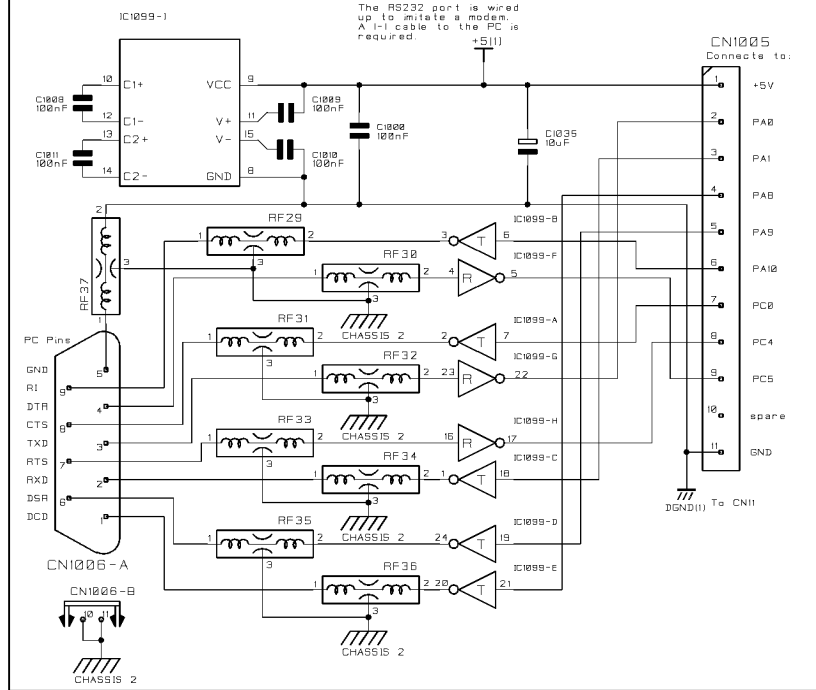
DRN.
21-06-99

SOUNDCRAFT
HARMAN INT. INDUSTRIES LTD.
CRANBORNE HOUSE,
CRANBORNE ROAD,
POTTERS BAR,
HERTS. EN6 3JN.
TEL: 01707 665000
FAX: 01707 660482

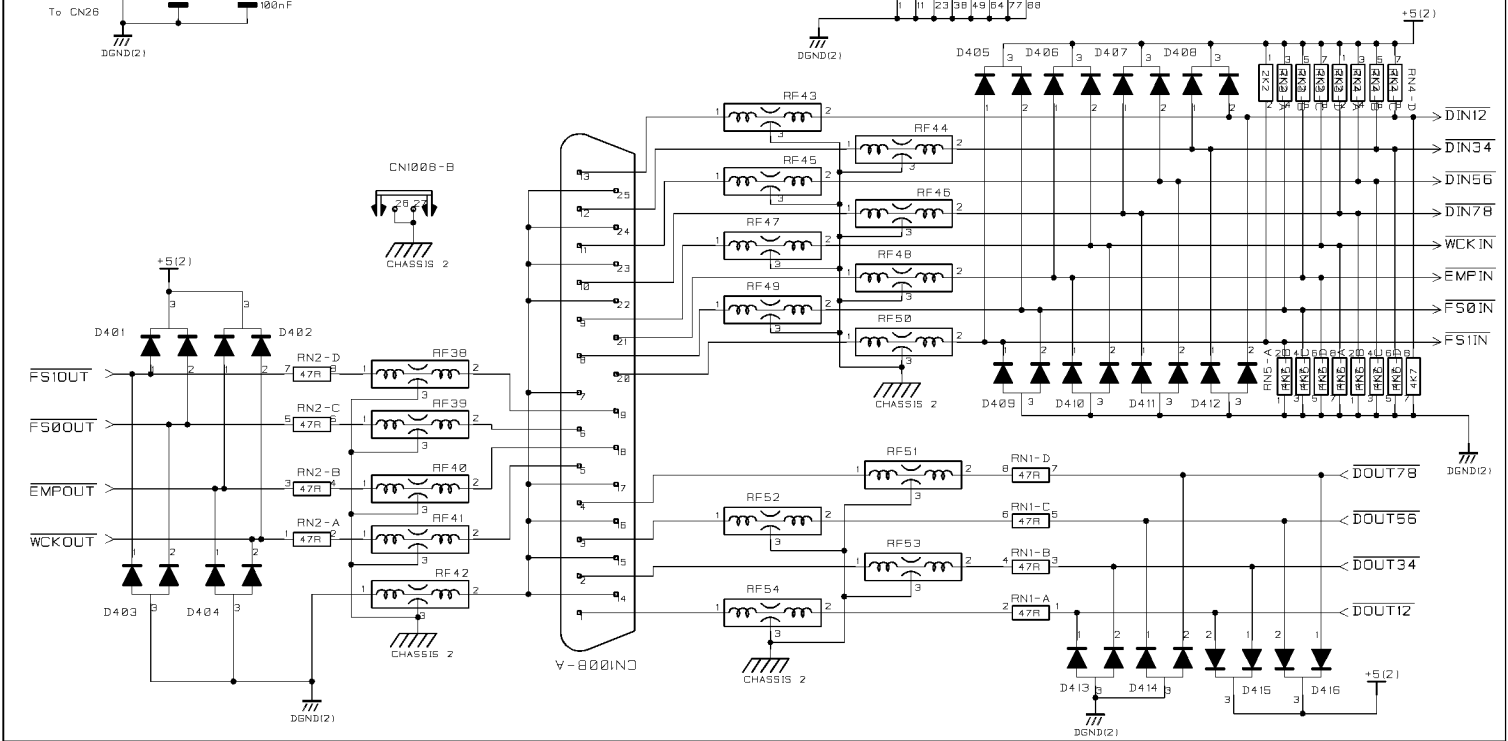
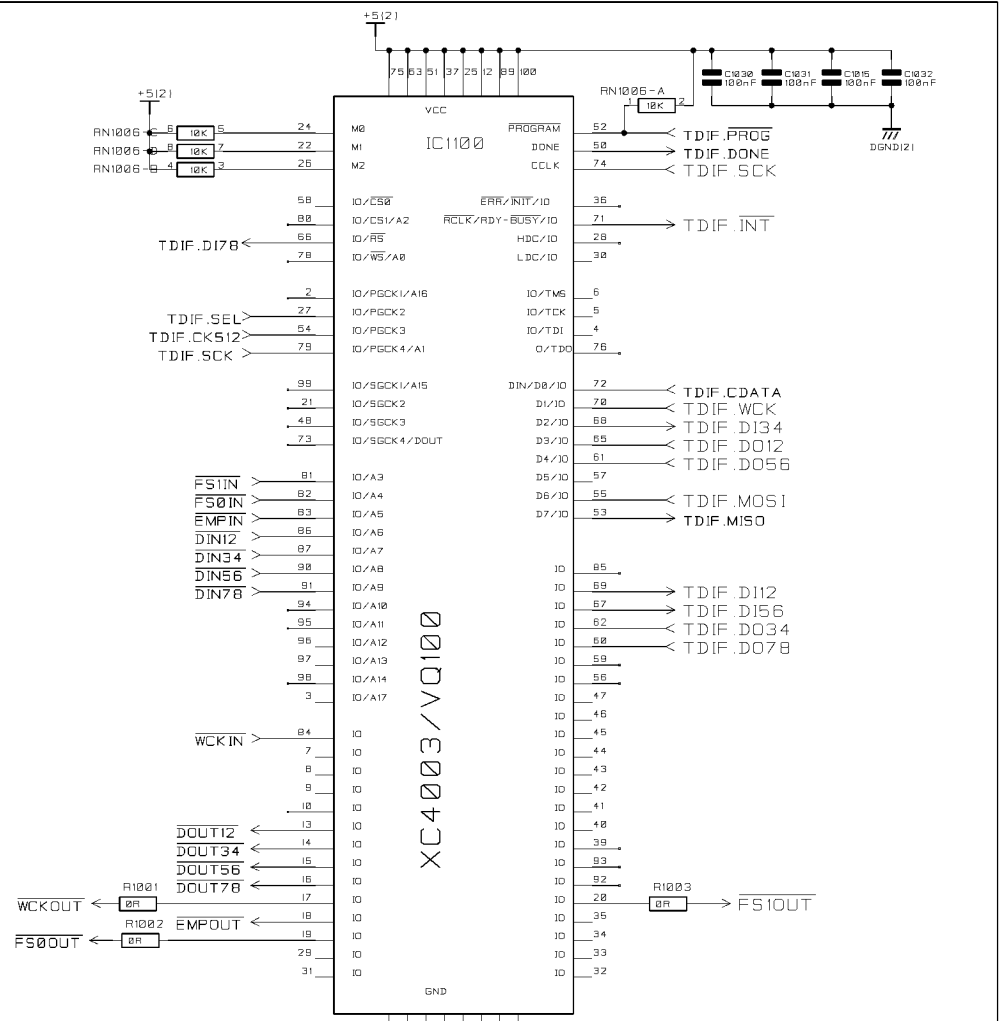
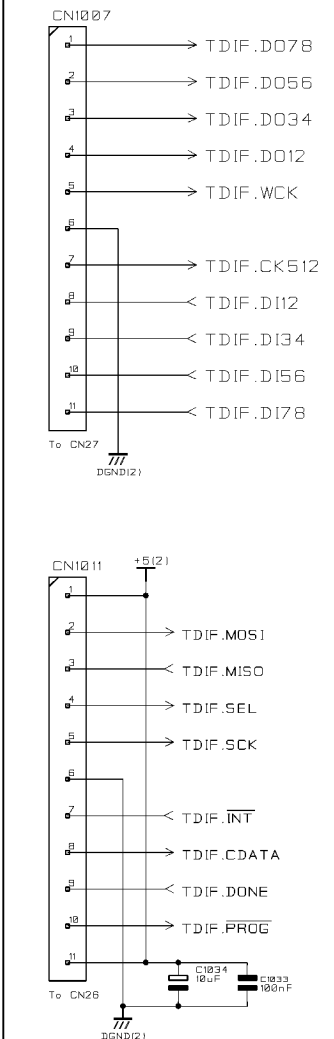
TITLE
Rm1D CPU (G3)
FLASH CLOCKS LOGIC
DRG NO. ED 4208
SHT. 3 OF 5

INITIAL	ISSUE	DATE
IF/RS	02A	12/06/02

RS232 PORT



TDIF INTERFACE



SOUNDCRAFT OWNS THE COPYRIGHT OF THIS DRAWING WHICH IS NOT TO BE COPIED, IN PART OR IN WHOLE TO A THIRD PARTY WITHOUT WRITTEN PERMISSION.

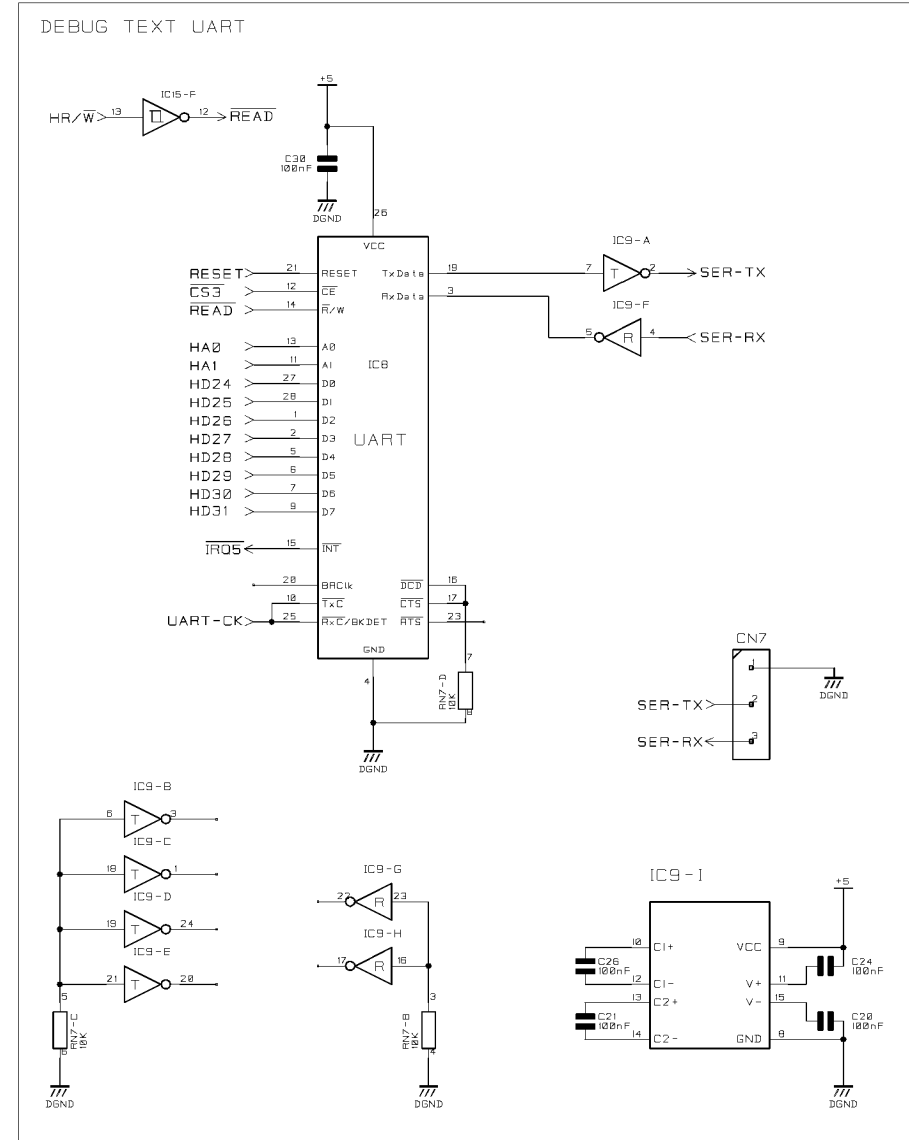
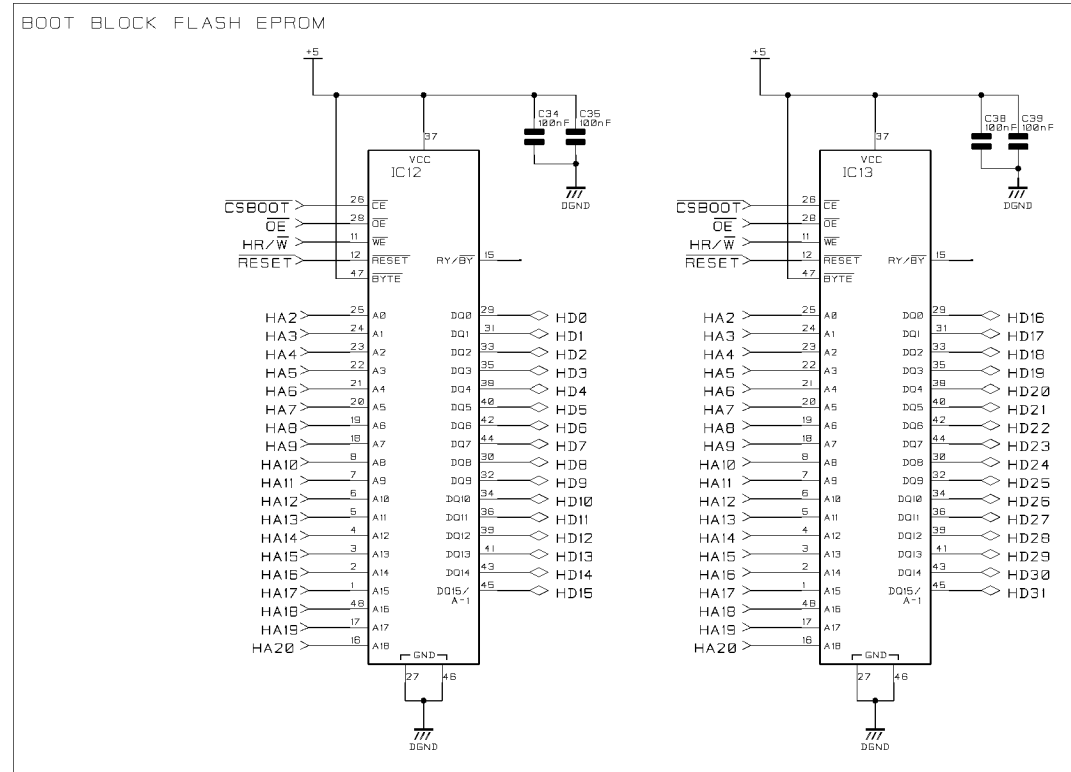
NOTES

DRN. SH/GM
21-06-99

SOUNDCRAFT
HARMAN INT. INDUSTRIES LTD.
CRANBORNE HOUSE,
CRANBORNE ROAD,
POTTERS BAR,
HERTS. EN6 3JN.
TEL: 01707 665000
FAX: 01707 660482

TITLE
Rm1D CPU (G3)
BREAK-OFF SECTIONS

DRG NO. ED 4208



IF/RS 02A
SOUNDCRAFT OWNS THE COPYRIGHT OF THIS DRAWING WHICH IS NOT TO BE COPIED, IN PART OR IN WHOLE TO A THIRD PARTY WITHOUT WRITTEN PERMISSION.

NOTES

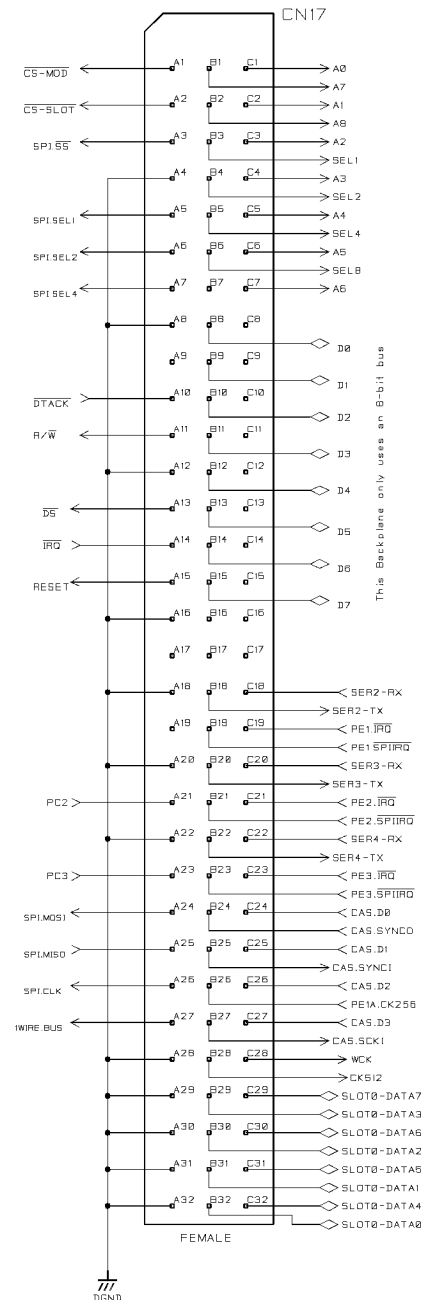
DRN.

SOUNDCRAFT
HARMAN INT. INDUSTRIES LTD.
CRANBORNE HOUSE,
CRANBORNE ROAD,
POTTERS BAR,
HERTS. EN6 3JN.
TEL: 01707 665000
FAX: 01707 660482

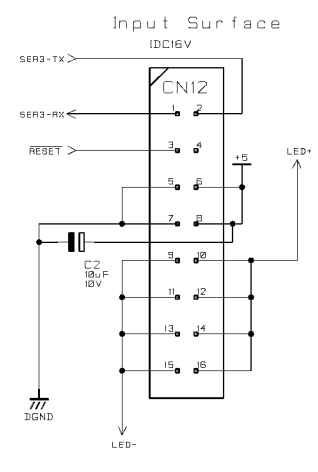
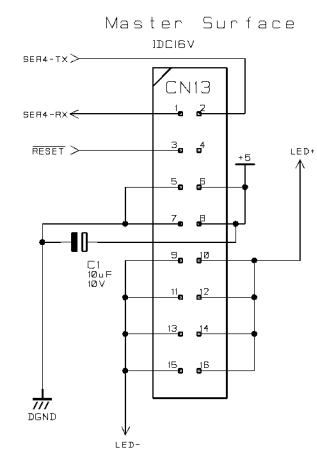
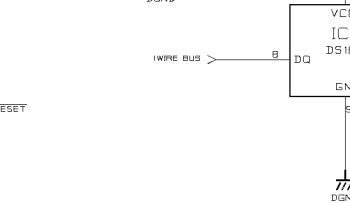
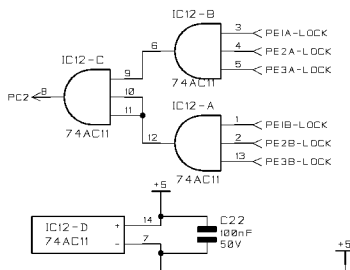
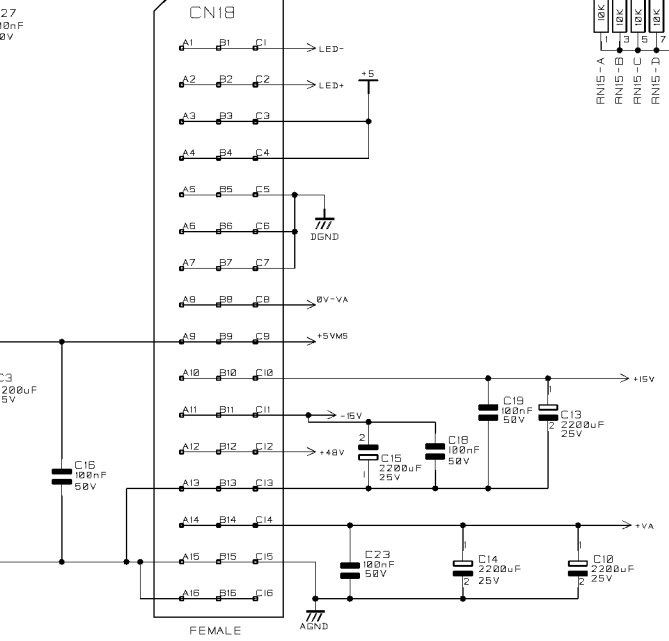
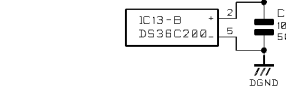
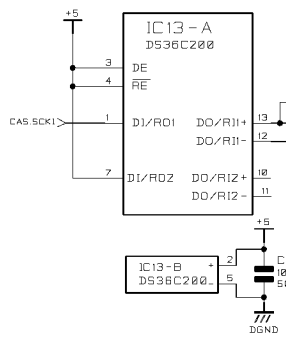
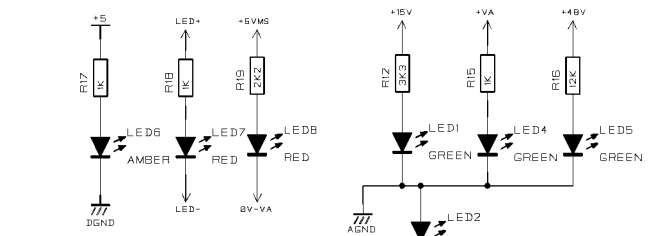
TITLE
Rm1D CPU (G3)
DEBUG UART and FLASH EPROM

DRG NO. ED4208

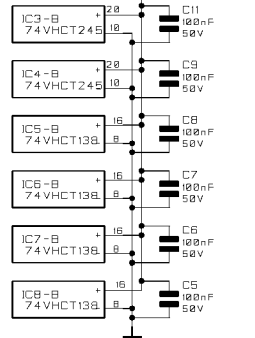
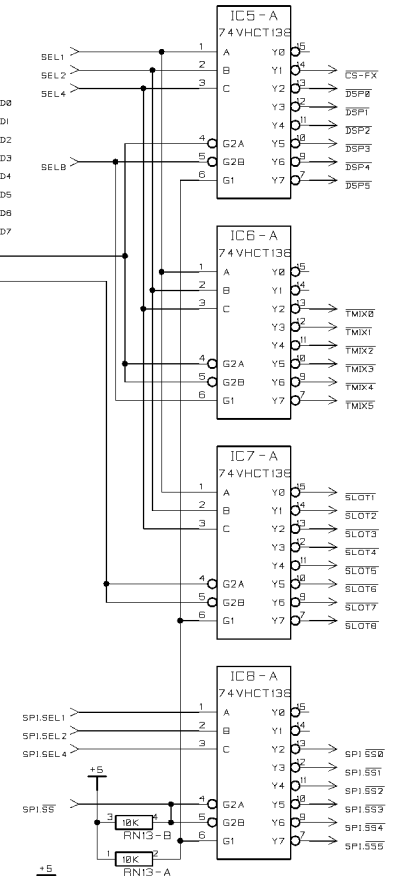
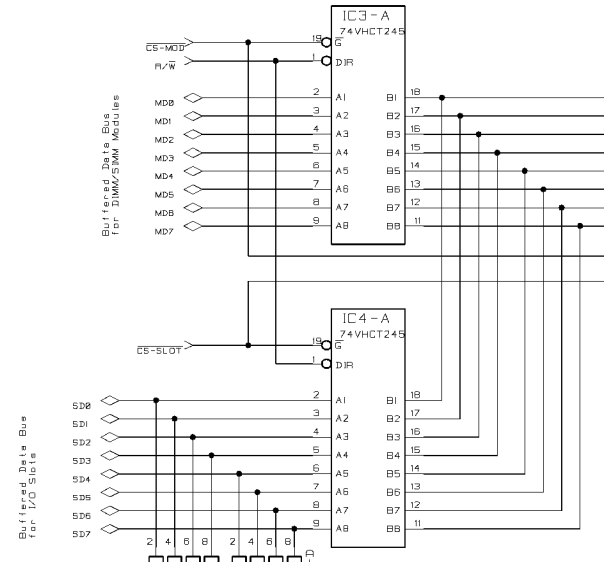
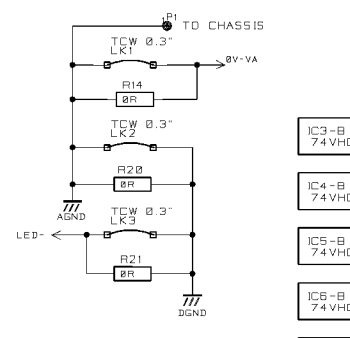
SLOT 0
(CPU Module)



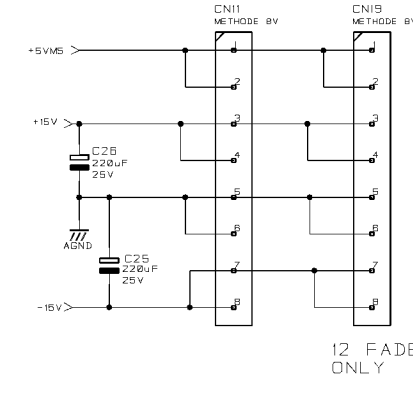
This Backplane only uses an 8-bit bus



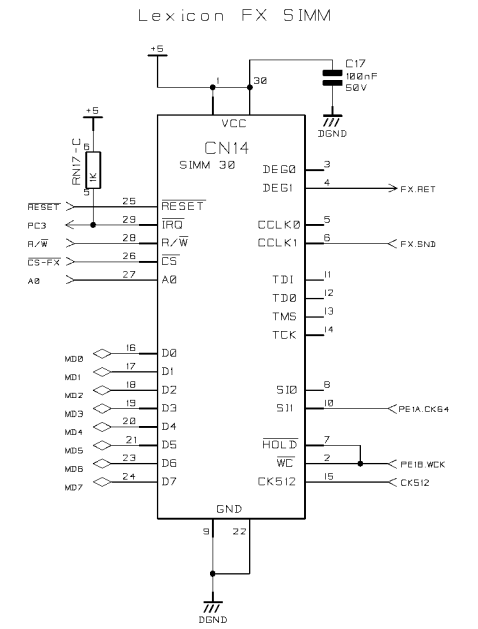
Ground & Return Linking



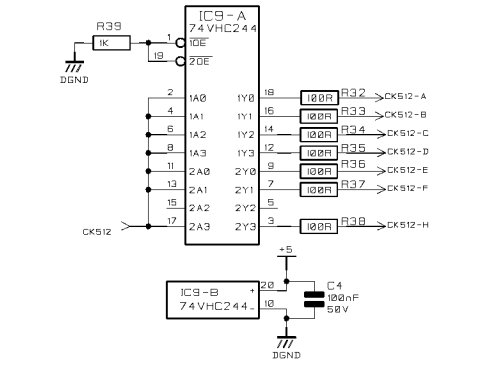
METER BRIDGE



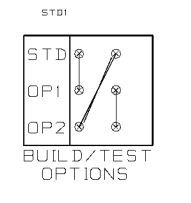
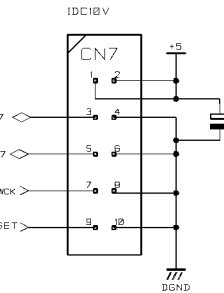
12 FADER ONLY



Clock Distribution Buffer



MAIN METERS / SPEAKER



SOUNDCRAFT OWN THE COPYRIGHT OF THIS DRAWING WHICH IS NOT TO BE COPIED, REPRODUCED OR DISCLOSED, IN PART OR WHOLE TO A THIRD PARTY WITHOUT PRIOR WRITTEN PERMISSION.

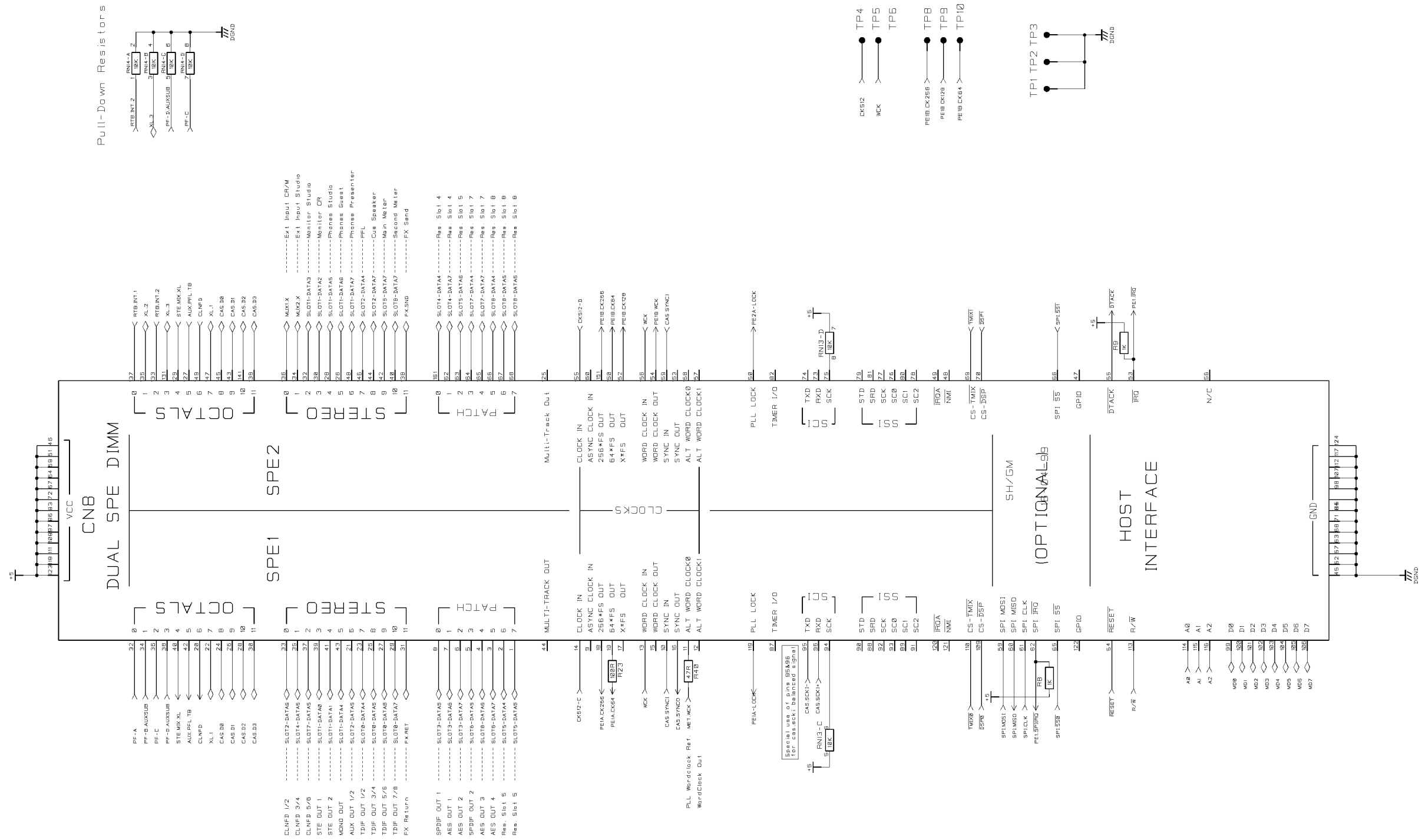
SOUNDCRAFT
HARMAN INT. INDUSTRIES LTD.
CRANBORNE HOUSE,
CRANBORNE ROAD,
POTTERS BAR,
HERTS. EN6 3JN.
TEL: 01707 665000
FAX: 01707 660482

NOTES

DRN.	SH/GM	CN No.	INITIAL	DATE	ISSUE	TITLE
DATE	16-04-99	ECN139	IF	01A	11/04/02	Rm1D-G3
MASTER	IF RED		DMR	02A	12/09/02	Master Backplane CPU & Module Connectors

DRG NO. ED4209

SHT. 1 OF 5



SOUNDCRAFT OWNS THE COPYRIGHT OF THIS DRAWING WHICH IS NOT TO BE COPIED, IN PART OR IN WHOLE TO A THIRD PARTY WITHOUT WRITTEN PERMISSION.

NOTES

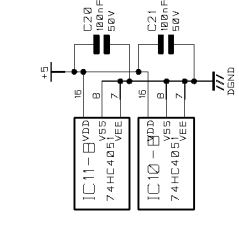
DRN. STJ
 06-08-98

SOUNDCRAFT INDUSTRIES LTD.
 HARMAN INT. HOUSE,
 CRANBORNE ROAD,
 POTTERS BAR,
 HERTS. ENG 3JN.
 TEL: 01707 665000
 FAX: 01707 660462

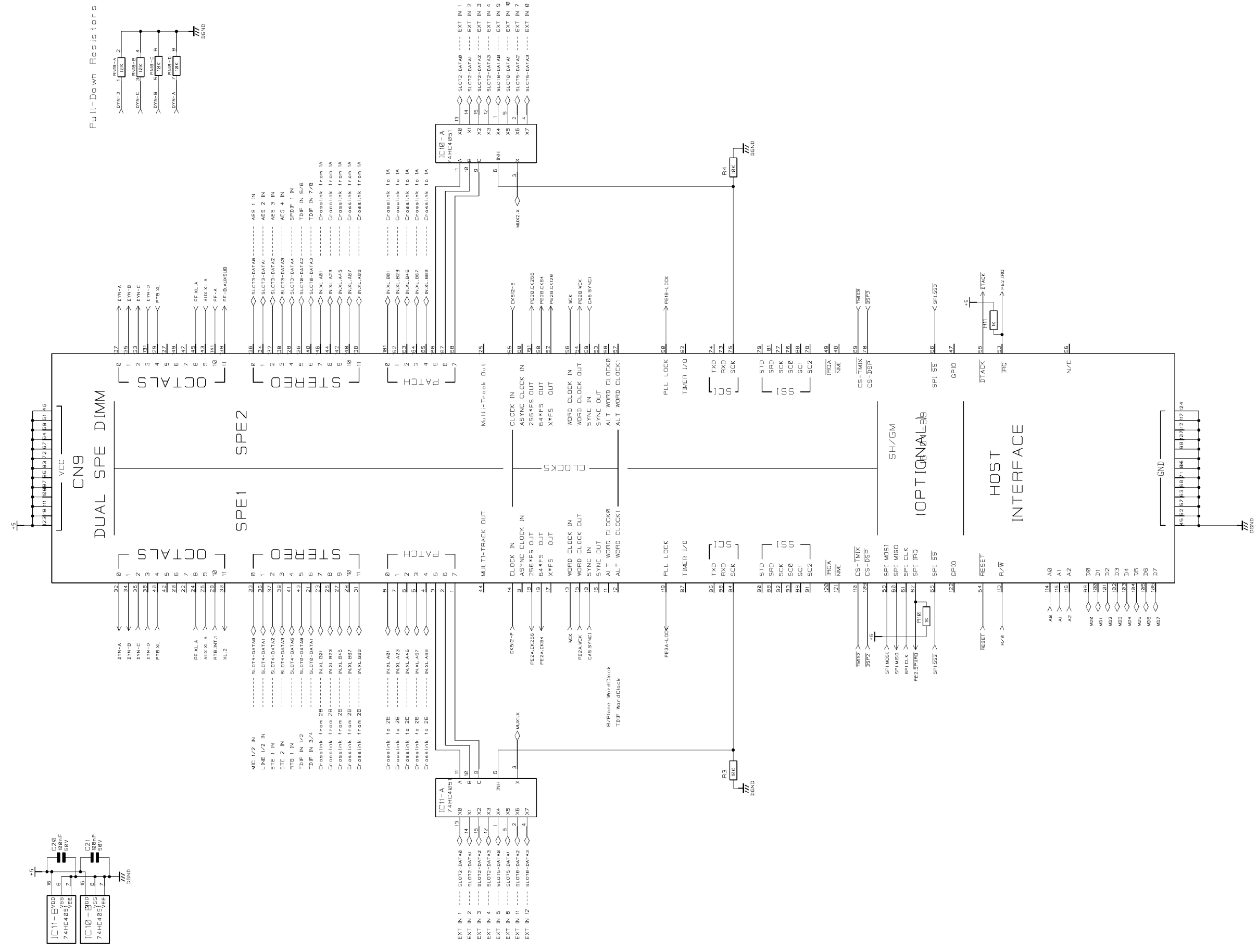
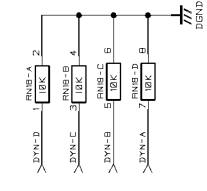
TITLE
Rm1D-G3
 Master Backplane
 DSP Module 1

DRG NO. **ED 4209**

STD INPUT PES



Pull-Down Resistors



NOTES
SOUNDCRAFT OWNS THE COPYRIGHT OF THIS DRAWING WHICH IS NOT TO BE COPIED, IN PART OR IN WHOLE TO A THIRD PARTY WITHOUT WRITTEN PERMISSION.

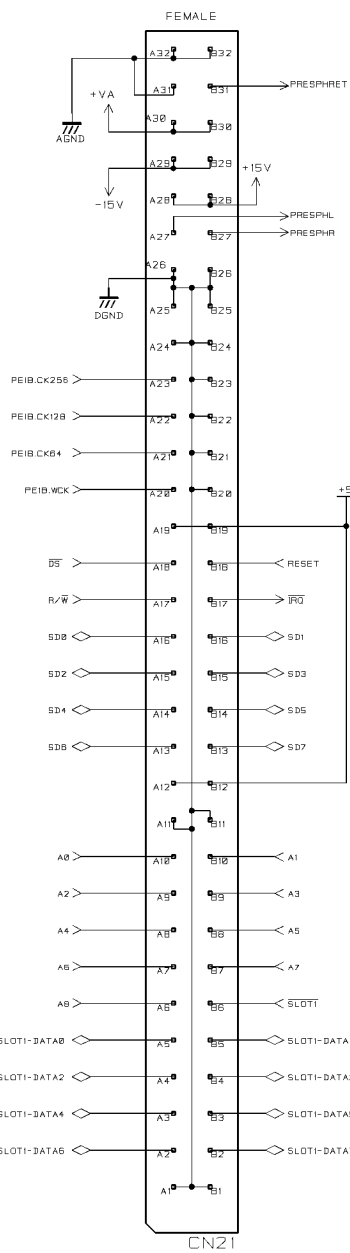
DRN. STJ
06-08-98

SOUNDCRAFT INDUSTRIES LTD.
HARMAN INT. HOUSE,
CRANBORNE ROAD,
POTTERS BAR,
HERTS. EN9 3JN.
TEL: 01707 665000
FAX: 01707 660482

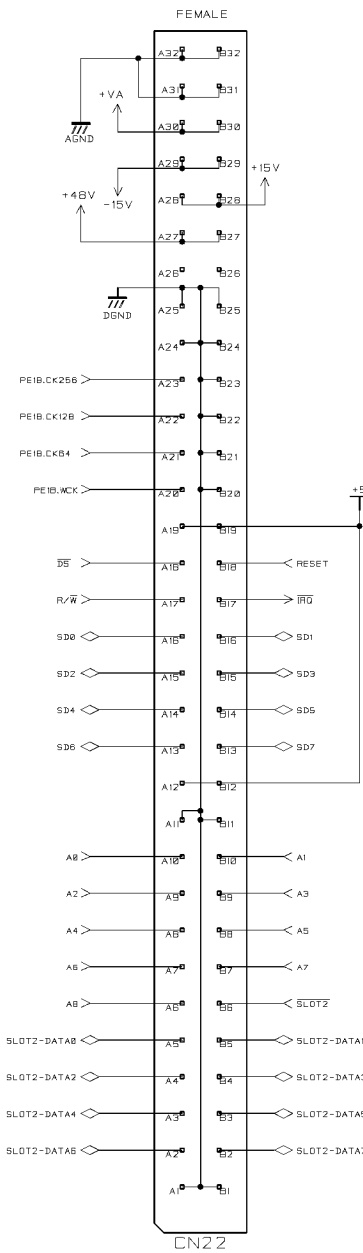
TITLE
Rm1D-G3
Master Backplane
DSP Module 2
DRG NO. ED 4209
PART. 3 OF 5

Expansion Connectors
(to backplane expander)

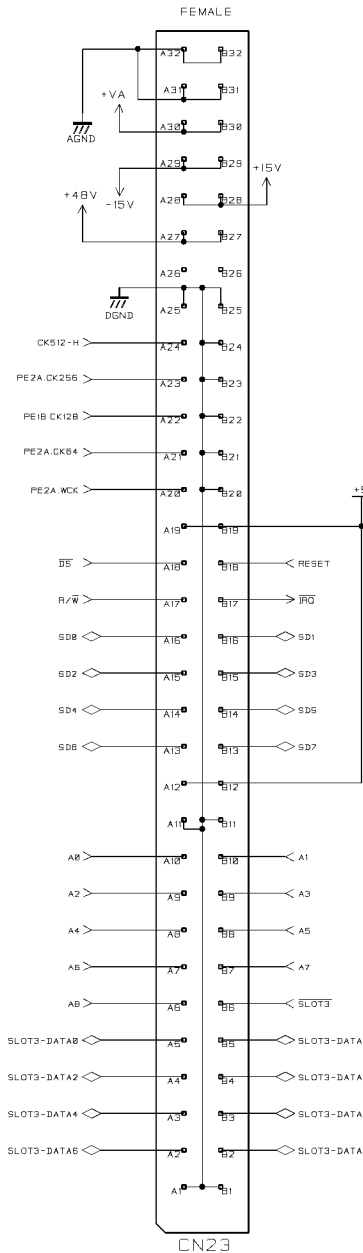
SLOT1
(left mid)



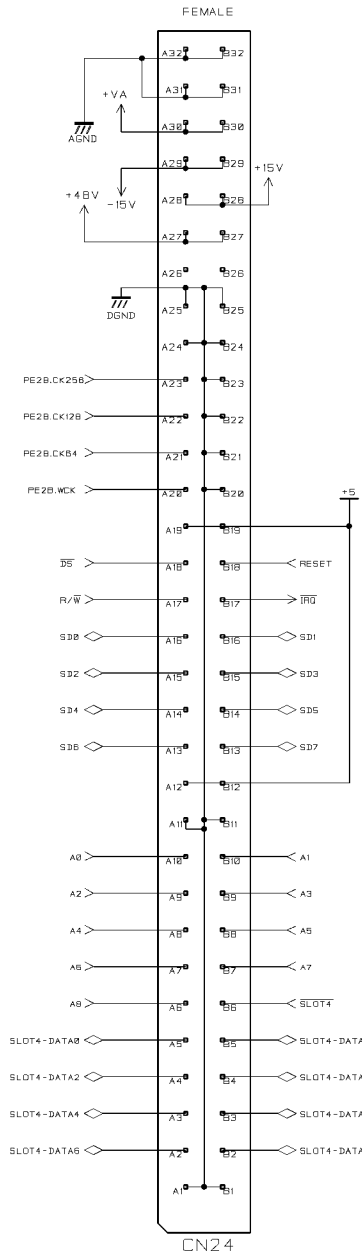
SLOT2
(left top)



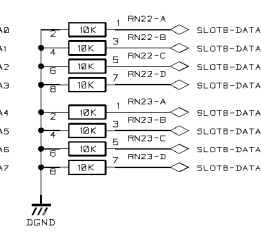
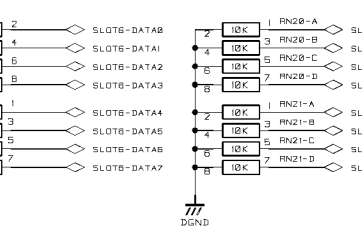
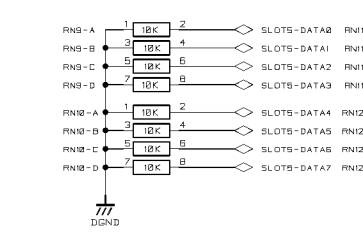
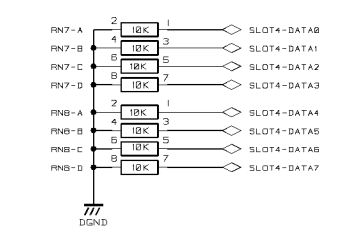
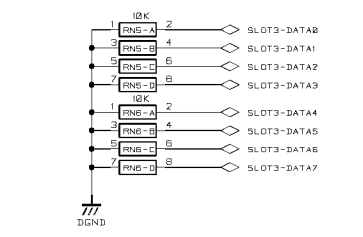
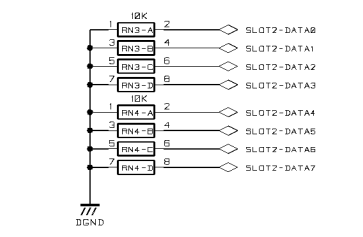
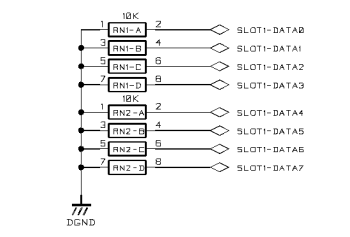
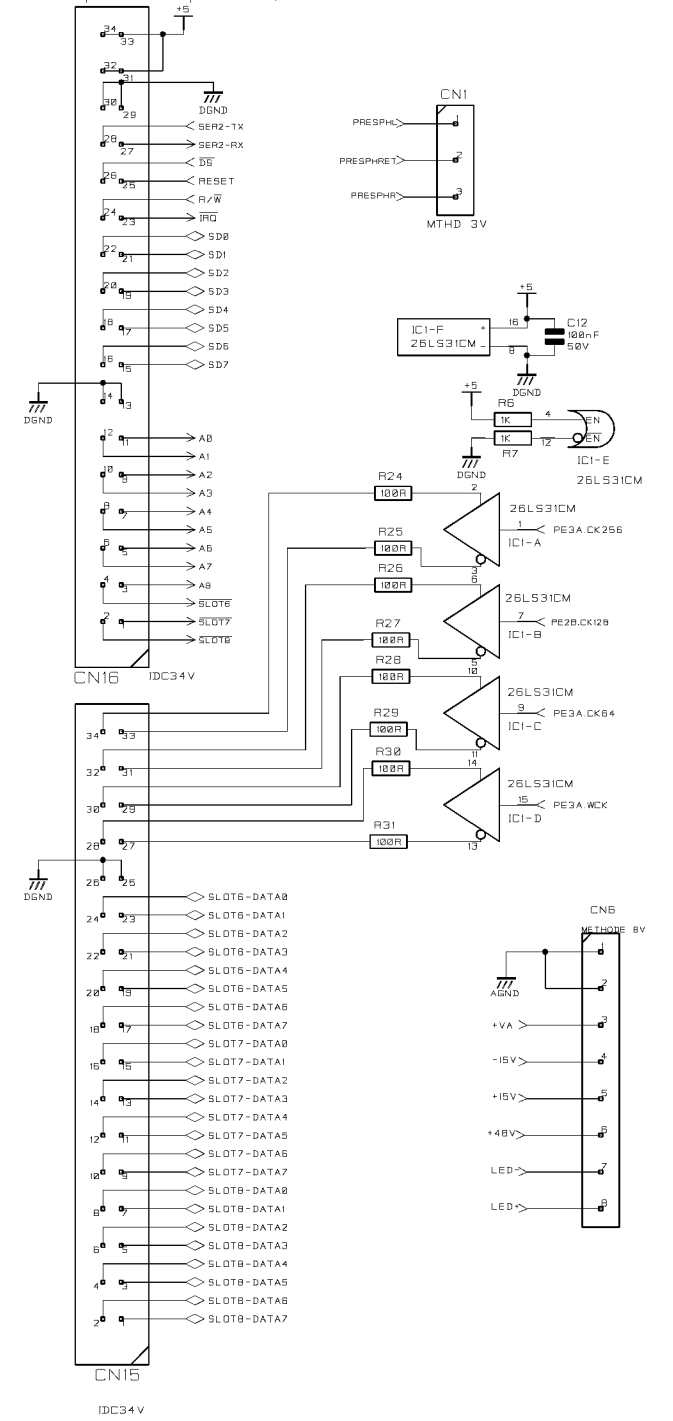
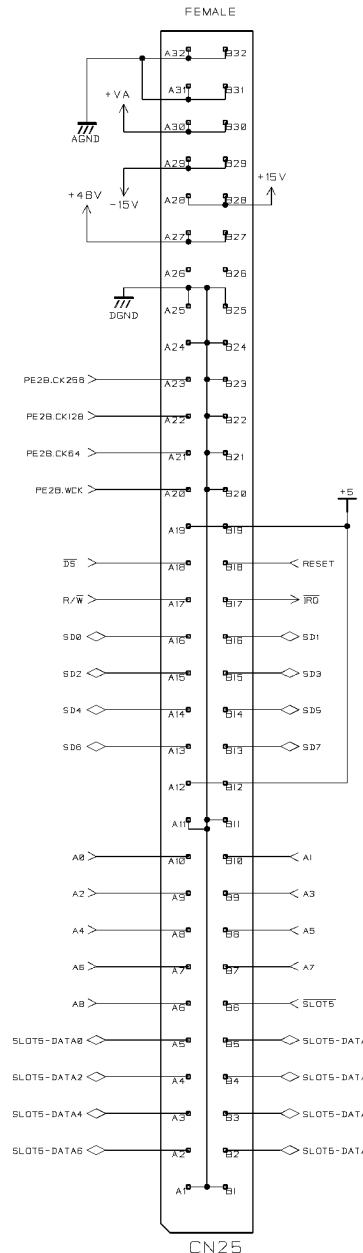
SLOT3
(right bottom)



SLOT4
(right mid)



SLOT5
(right top)



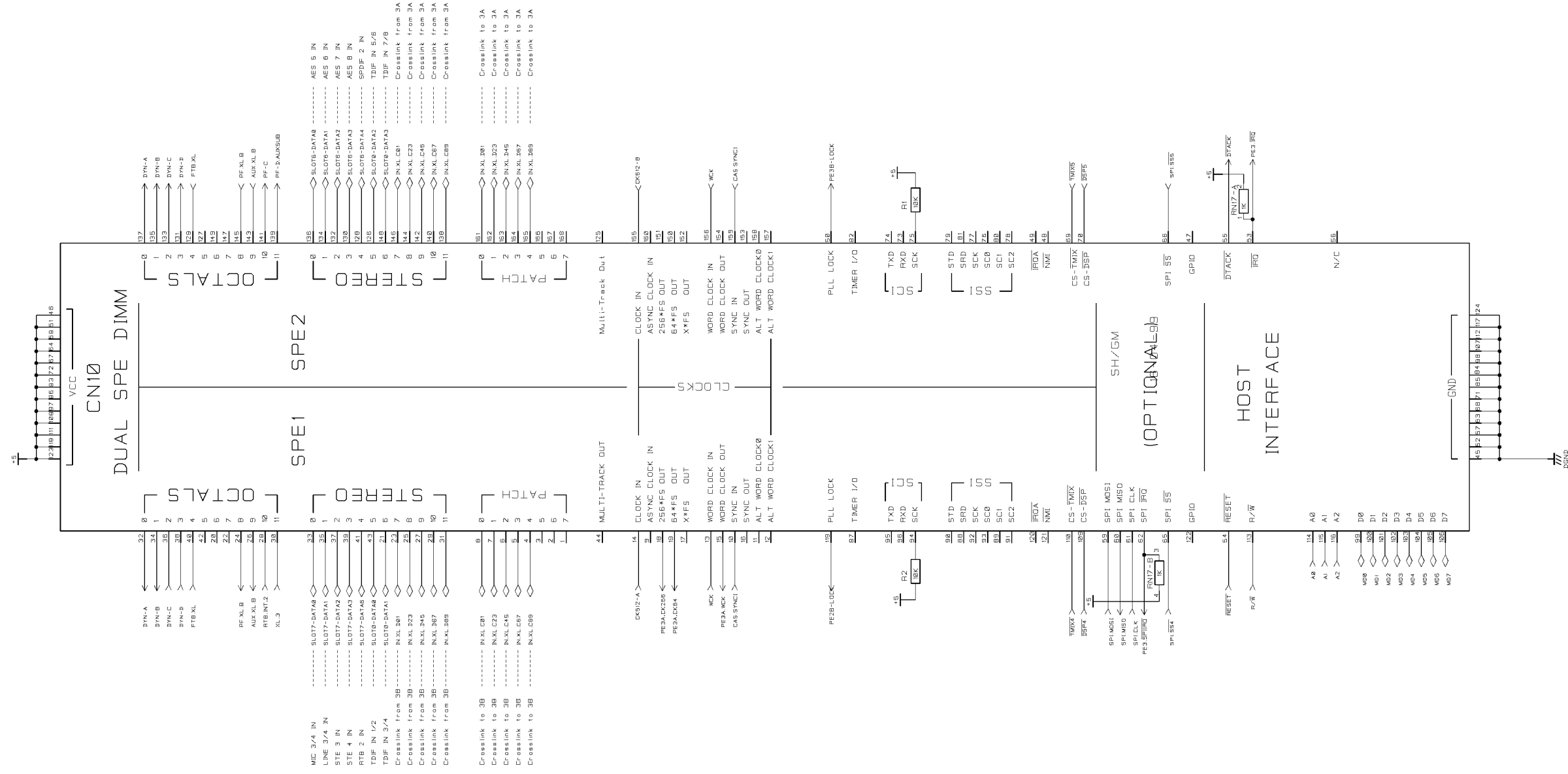
SOUNDCRAFT OWN THE COPYRIGHT OF THIS DRAWING WHICH IS NOT TO BE COPIED, REPRODUCED OR DISCLOSED, IN PART OR WHOLE TO A THIRD PARTY WITHOUT PRIOR WRITTEN PERMISSION.

SOUNDCRAFT
HARMAN INT. INDUSTRIES LTD.
CRANBORNE HOUSE,
CRANBORNE ROAD,
POTTERS BAR,
HERTS. EN6 3JN
TEL: 01707 665000
FAX: 01707 660482

NOTES

DRN.	SH/GM	CN No.	INITIAL	DATE	ISSUE	TITLE
DATE	16-04-99	ECN139	DMR	02A	12/09/02	Rm1D-G3 Master Backplane Expansion Slots
MASTER IF RED						

DRG NO. **ED4209** SHT 4 OF 5



NOTES

SOUNDCRAFT OWNS THE COPYRIGHT OF THIS DRAWING WHICH IS NOT TO BE COPIED, IN PART OR IN WHOLE TO A THIRD PARTY WITHOUT WRITTEN PERMISSION.

DRN. STJ

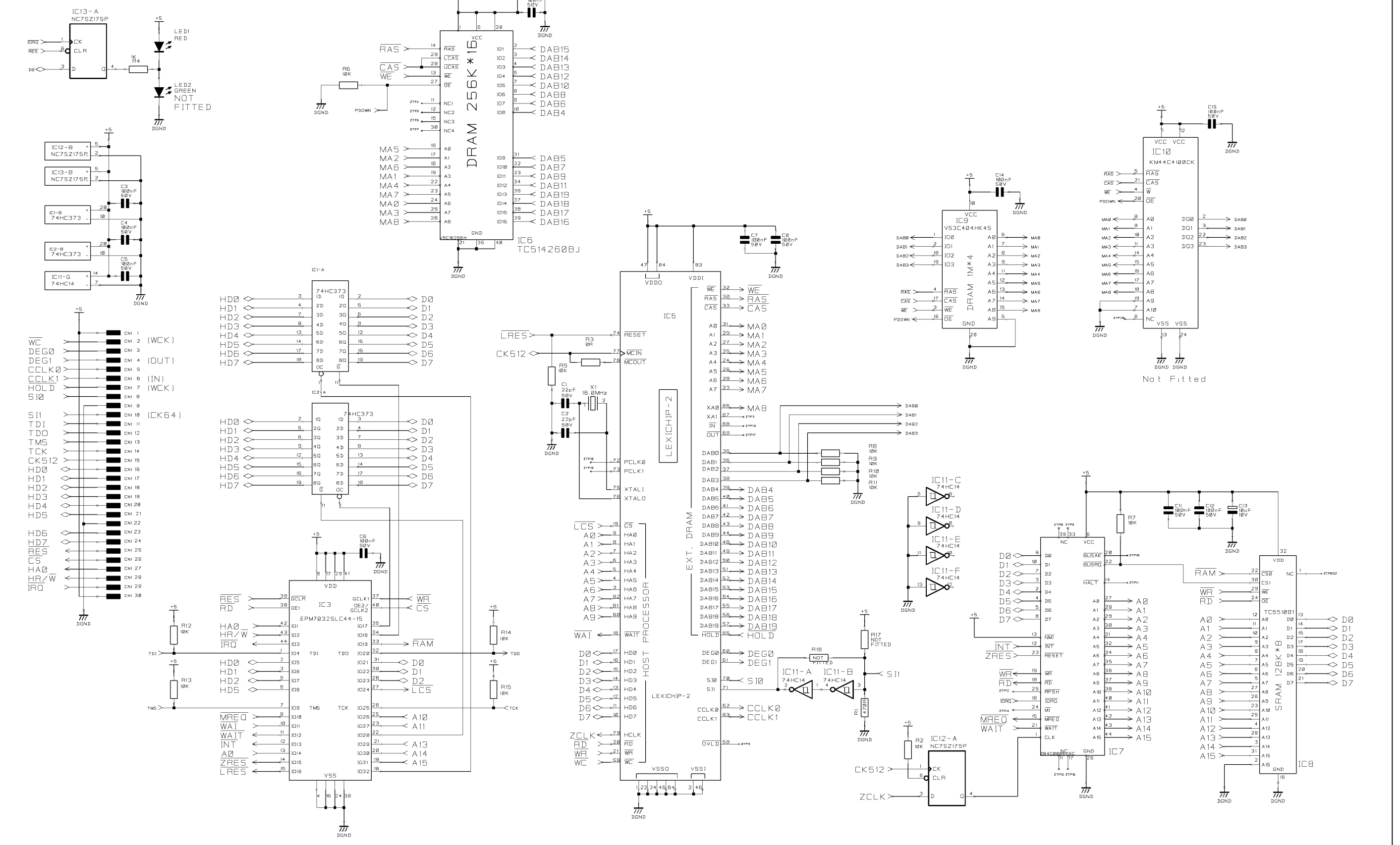
06-08-98

SOUNDCRAFT INDUSTRIES LTD.
 HARMAN INT. HOUSE,
 CRANBORNE ROAD,
 POTTERS BAR,
 HERTS. ENG 3JN.
 TEL: 01707 665000
 FAX: 01707 660462

TITLE Rm1D-G3
 Master Backplane
 DSP Module 3

DRG NO. ED 4209

REV. 5 OF 5



SOUNDCRAFT OWNS THE COPYRIGHT OF THIS DRAWING WHICH IS NOT TO BE COPIED, IN PART OR IN WHOLE TO A THIRD PARTY WITHOUT WRITTEN PERMISSION.

NOTES

DRN. YS/DR
01-10-01

SOUNDCRAFT
HARMAN INT. INDUSTRIES LTD.
CRANBORNE HOUSE,
CRANBORNE ROAD,
POTTERS BAR,
HERTS. EN6 3JN.
TEL: 01707 665000
FAX: 01707 660482

TITLE
Lexichip Module (G3)
SIMM-30 effects module
DRG NO. ED 4212
SHT. 1 OF 1

PCB Layouts

SC3471

RM100 VU Driver and Distribution

SC3946 Iss 5

RM1d Input Control Surface

SC3947 Issue 7

RM1d Master Control Surface

SC3948 Issue 4

RM1d SPE Module

SC3950 Issue 3

RM1d Timer

SC3960 Issue 4

RM1d Meter/Speaker

SC3962 Issue 3

RM1d Backplane Extension

SC4113 Issue 2

RM1d SPE Module

SC4183 Issue 2

RM1d DC Inlet Filter

SC4184 Issue 3

RM1d +5VD Reg

SC4188 Issue 2

RM1ds Fader Board

SC4187 Issue 2

RM1ds Input Control Surface

SC4202 Issue 1

RM1d-G3 Mic I/P Subcard

SC4203 Issue 1

RM1d I/O Rack XLR Analogue Input Card

SC4204 Issue 2

RM1d-G3 SPDIF

SC4205 Issue 2

Rm1d-G3 Additional Analogue Input/Output

SC4206 Issue 1

RM1d-G3 Analogue Output

SC4207 Issue 2

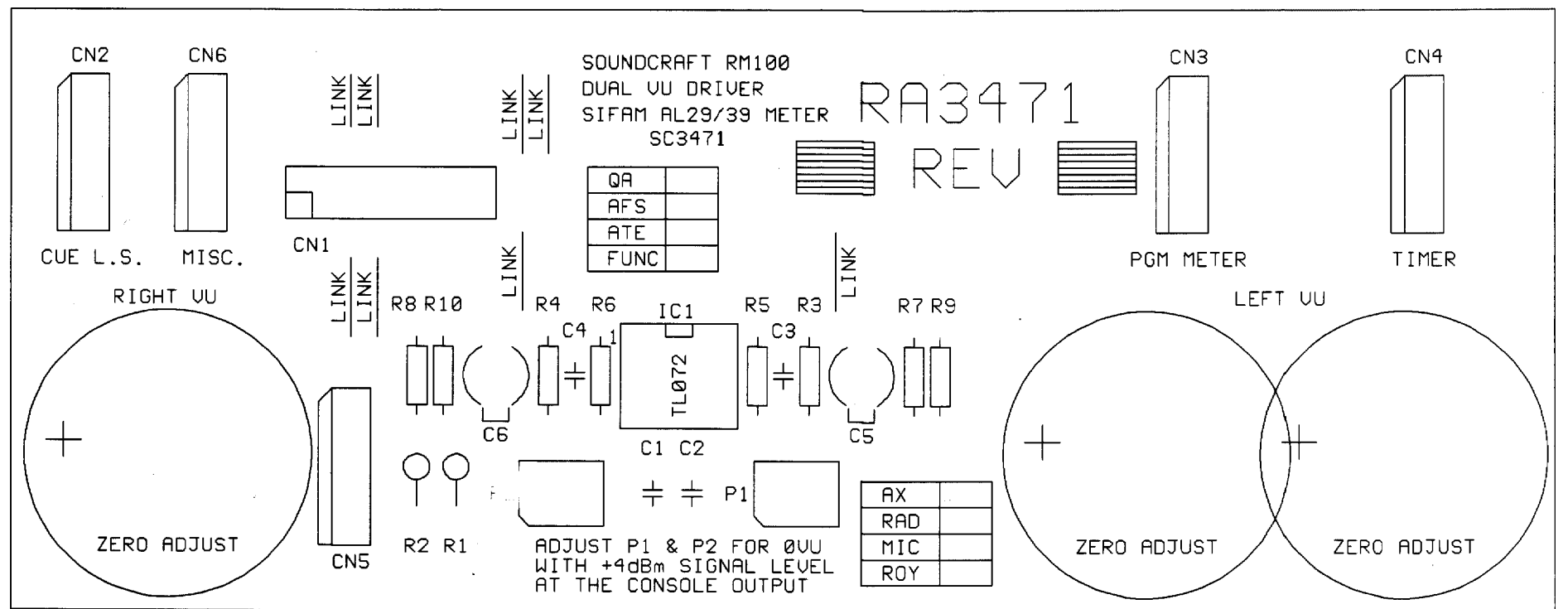
RM1d-G3 Headphone Subcard

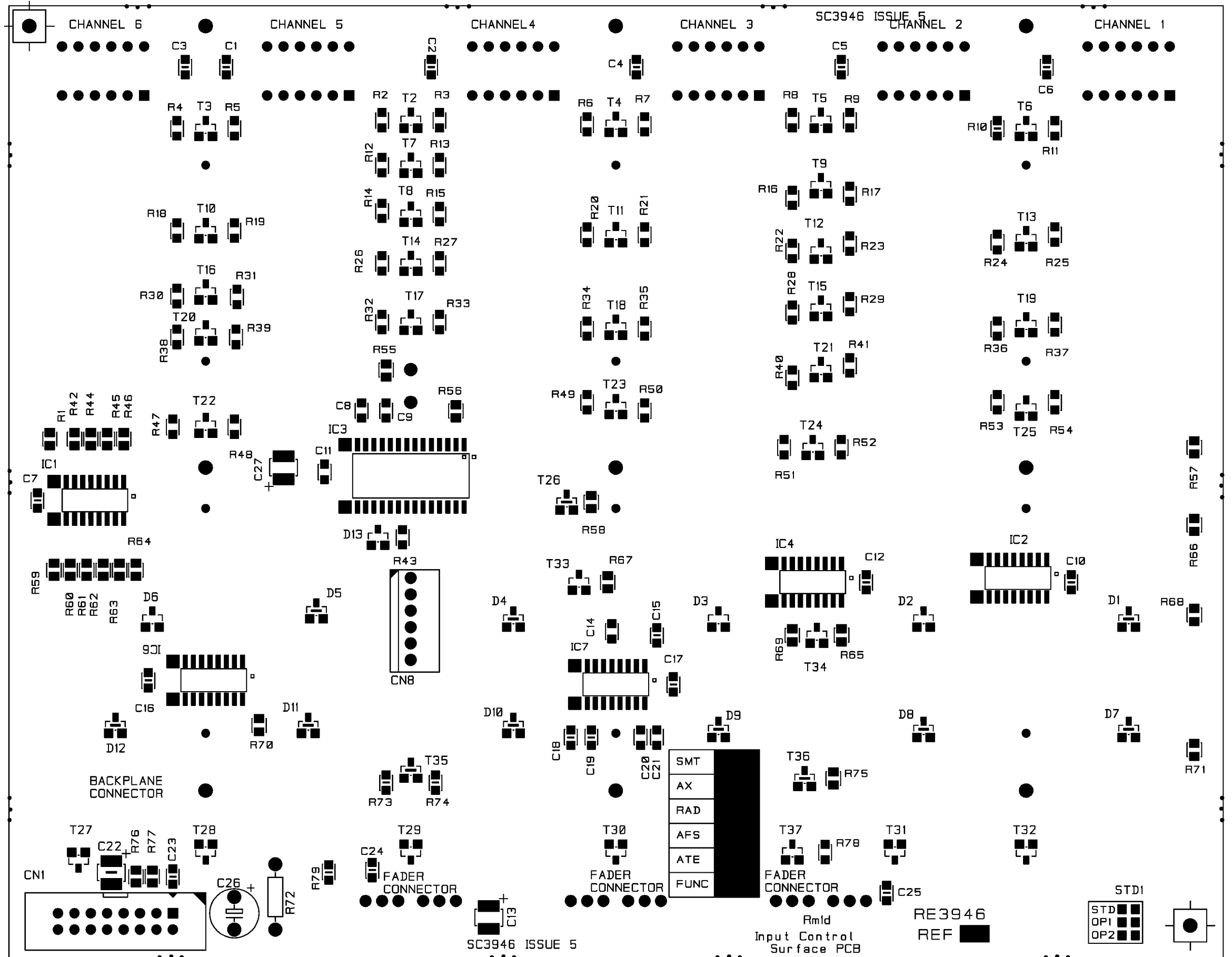
SC4209 Issue 2

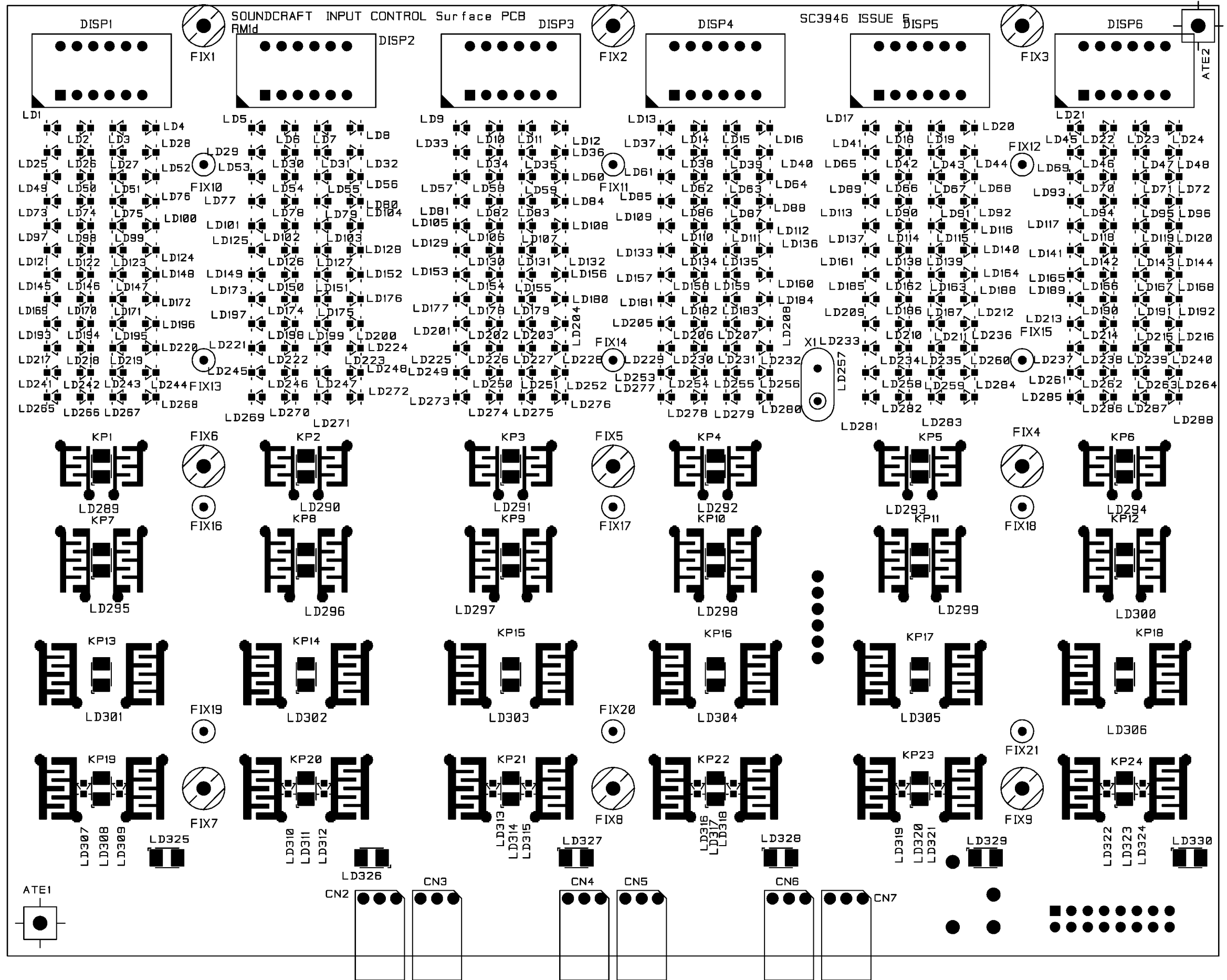
RM1d-G3 Master Backplane

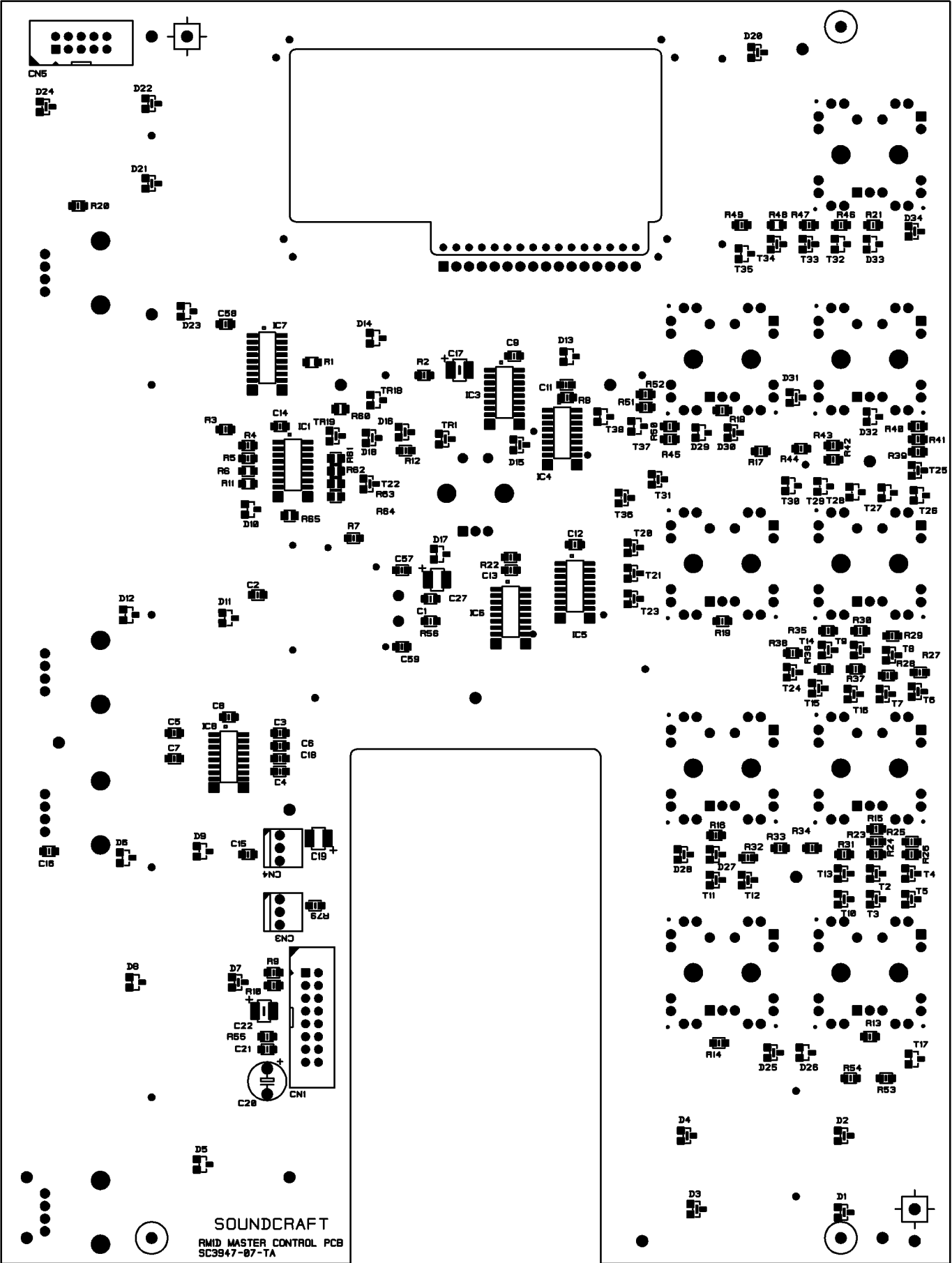
SC4212 Issue 1

RM1d Lexichip



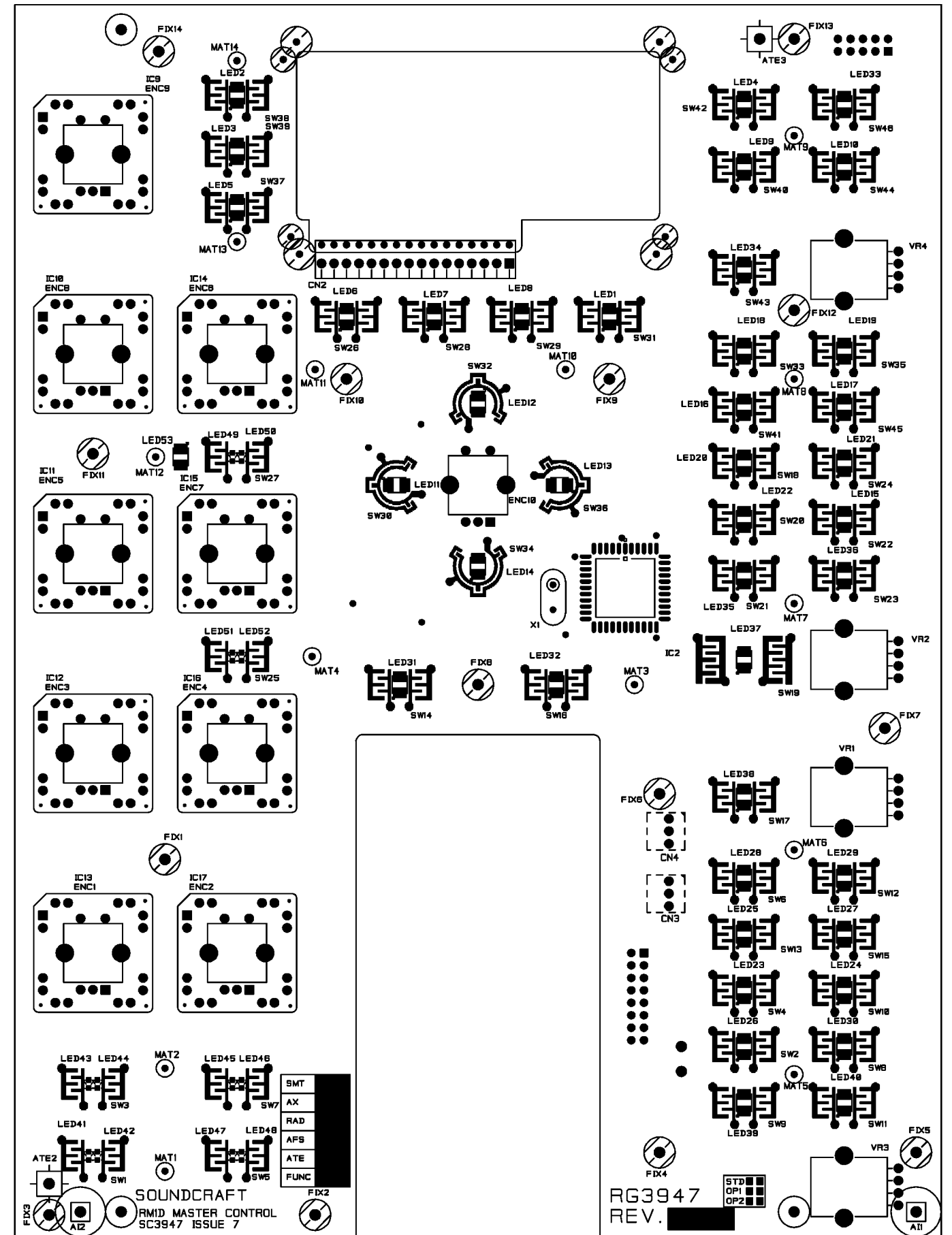


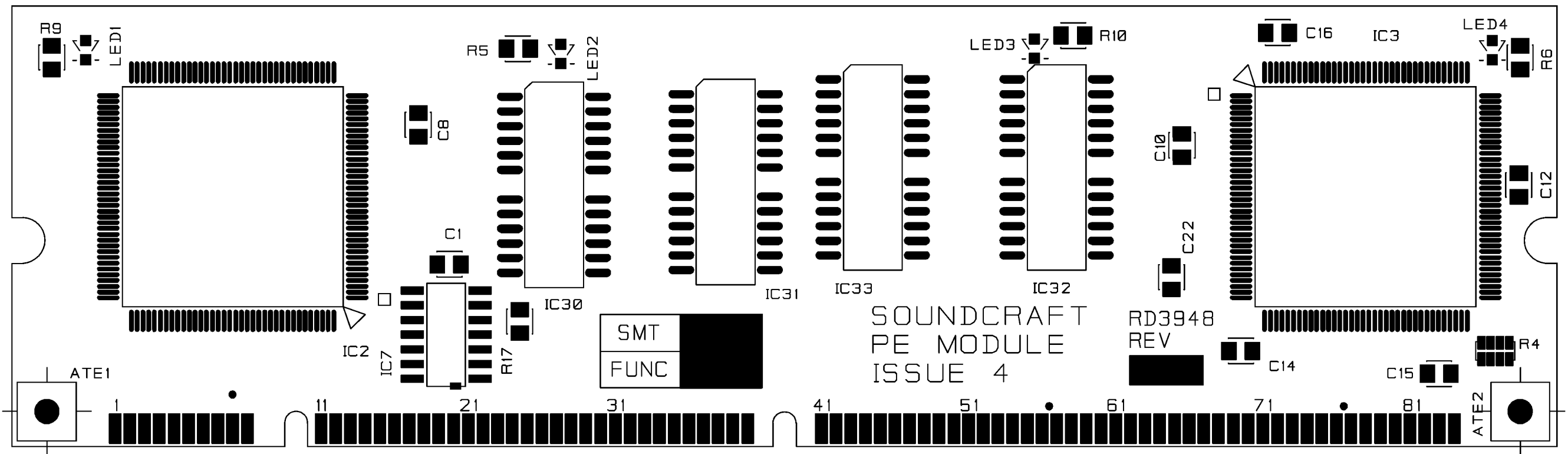
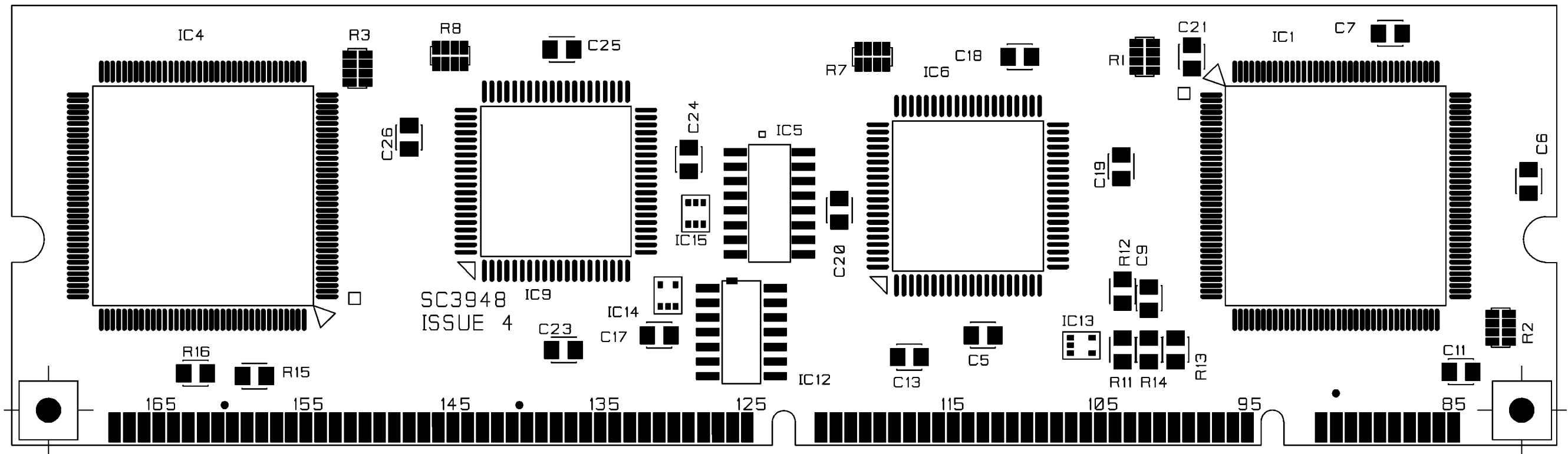


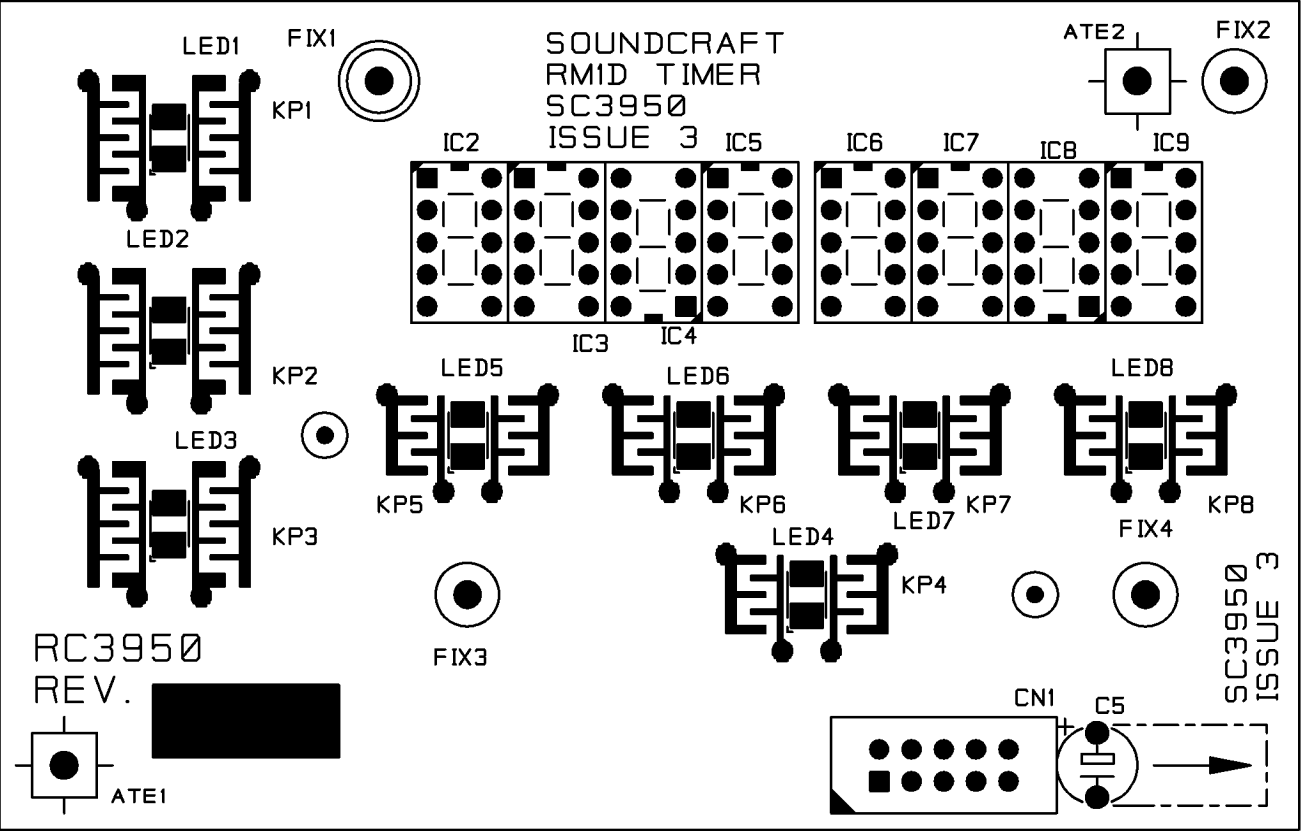
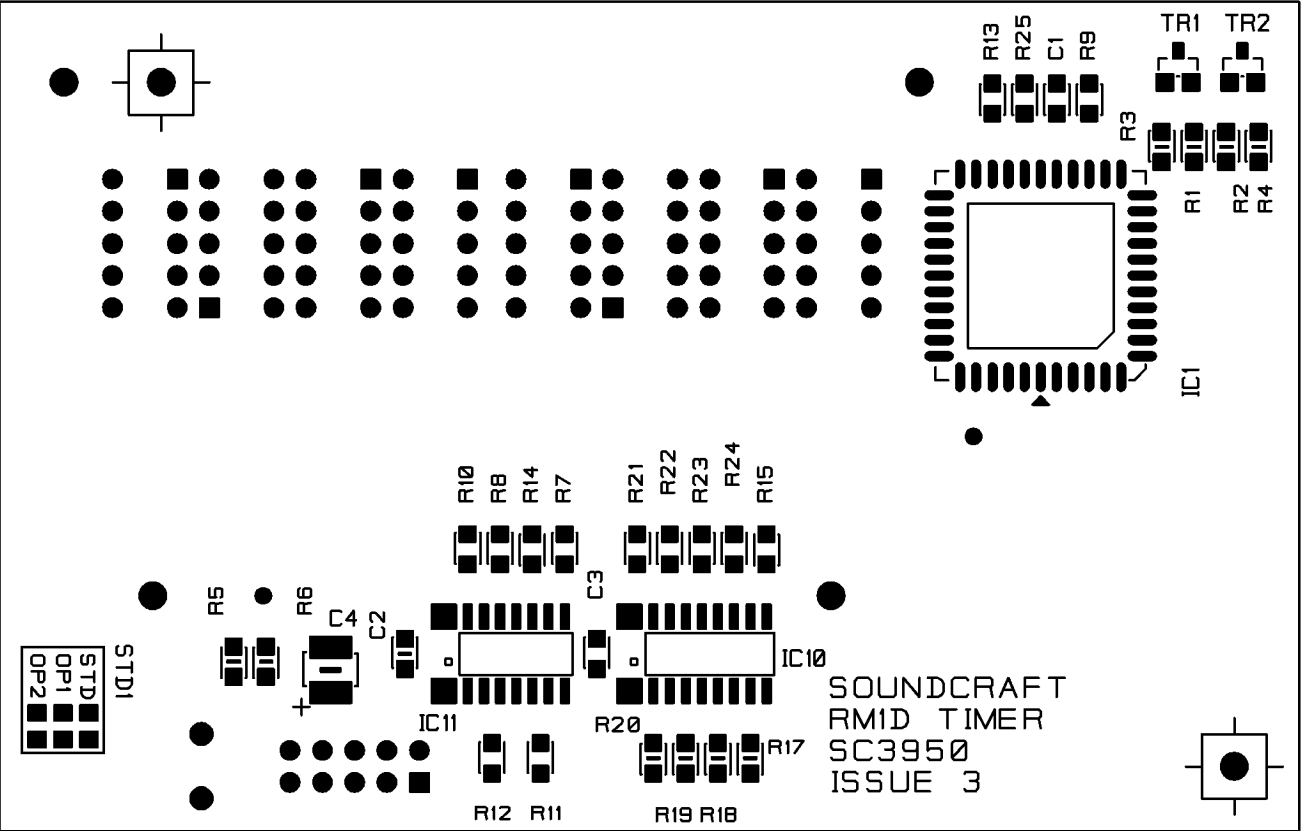


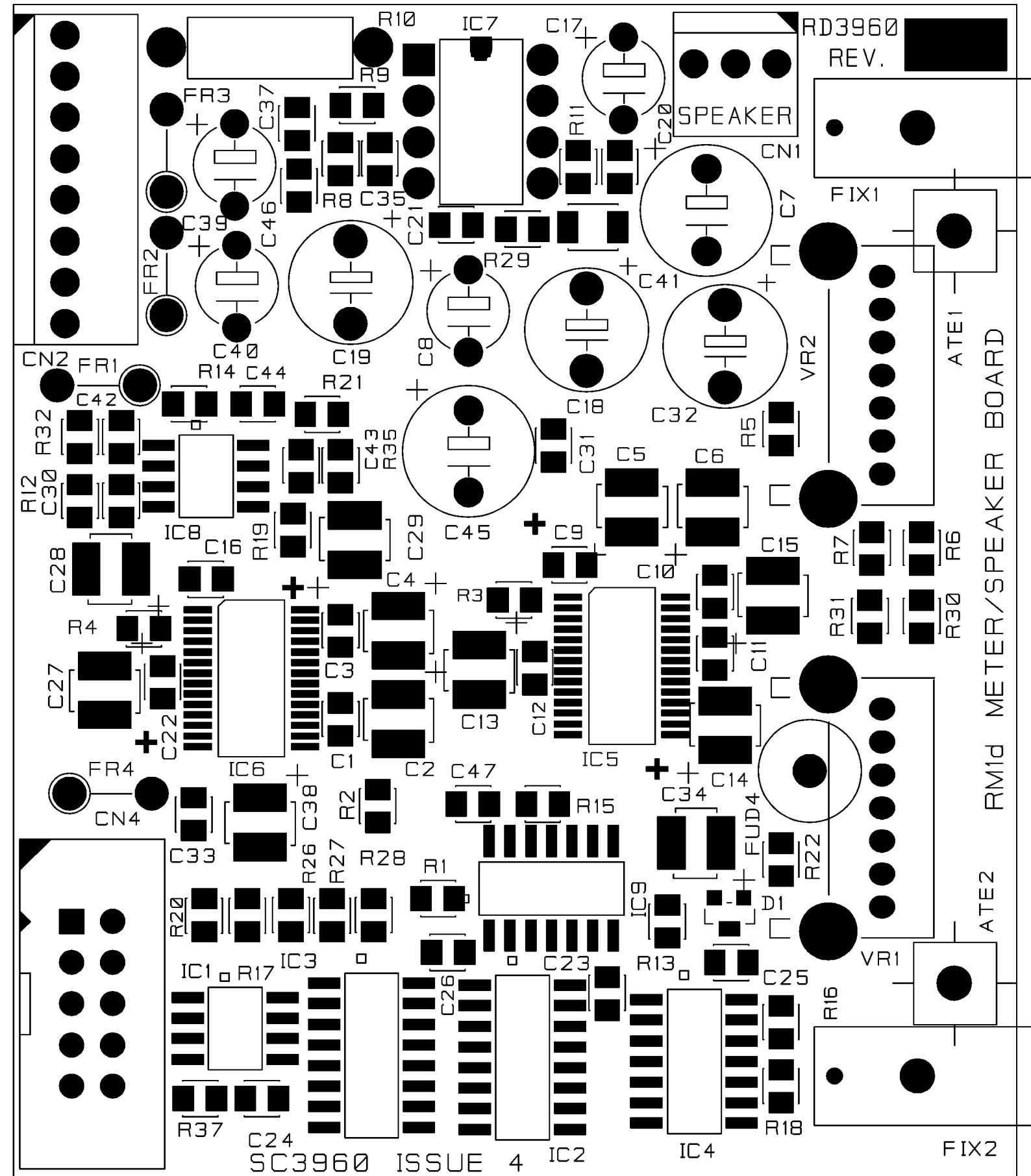
SOUNDCRAFT
 RM1d MASTER CONTROL PCB
 SC3947-07-TA

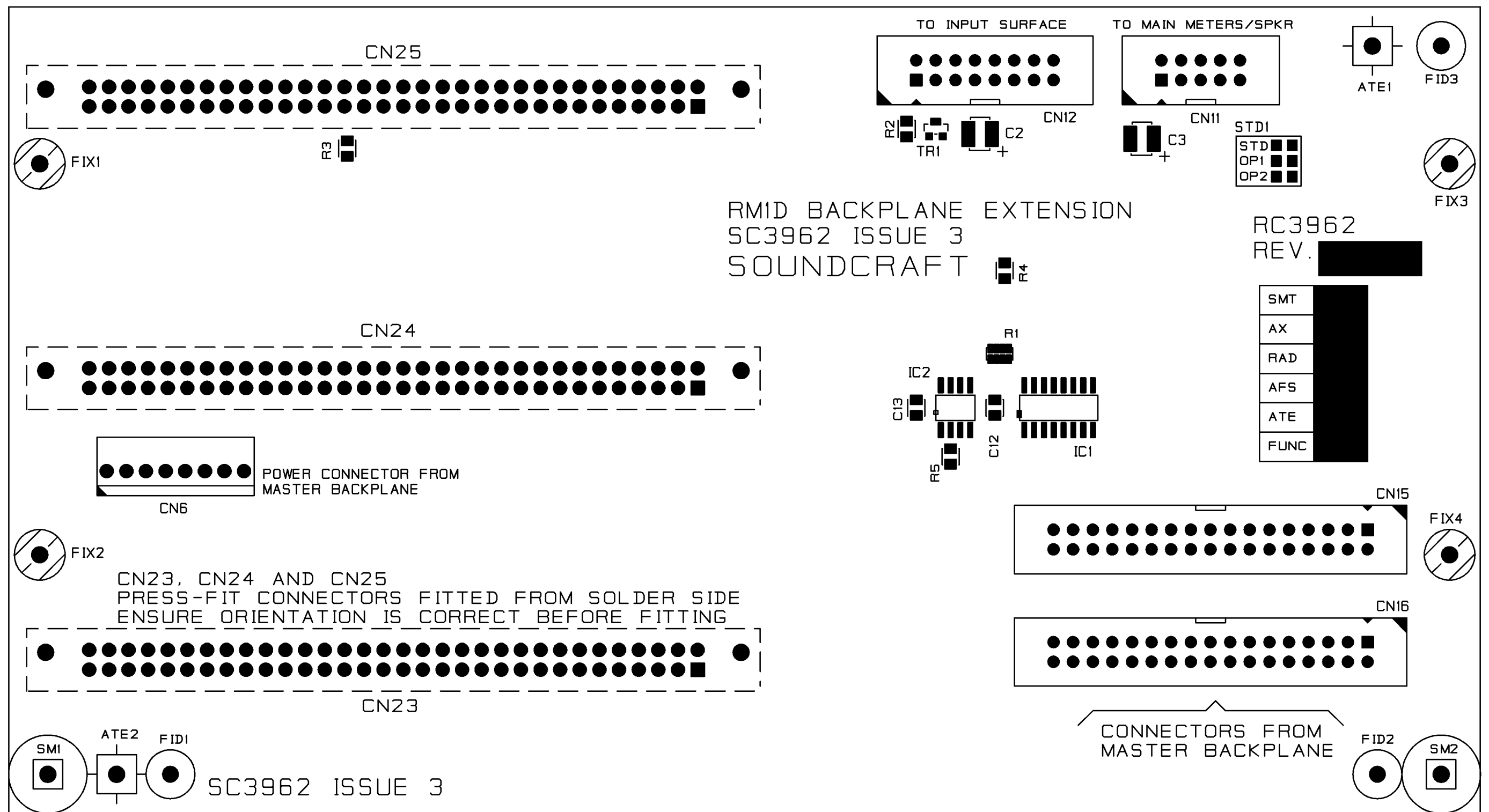










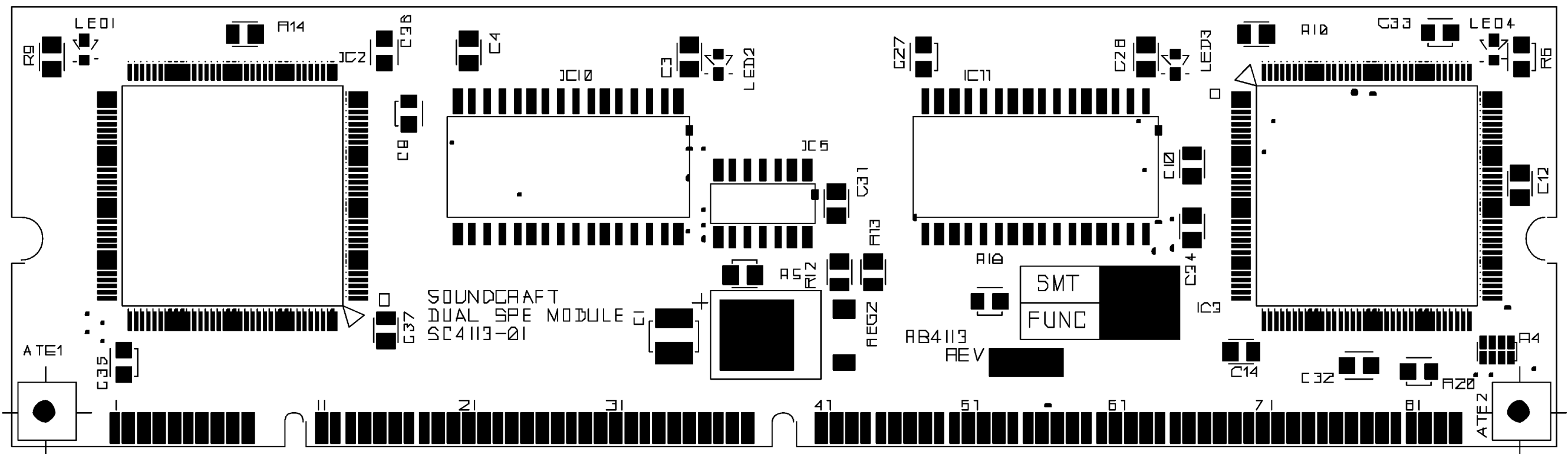
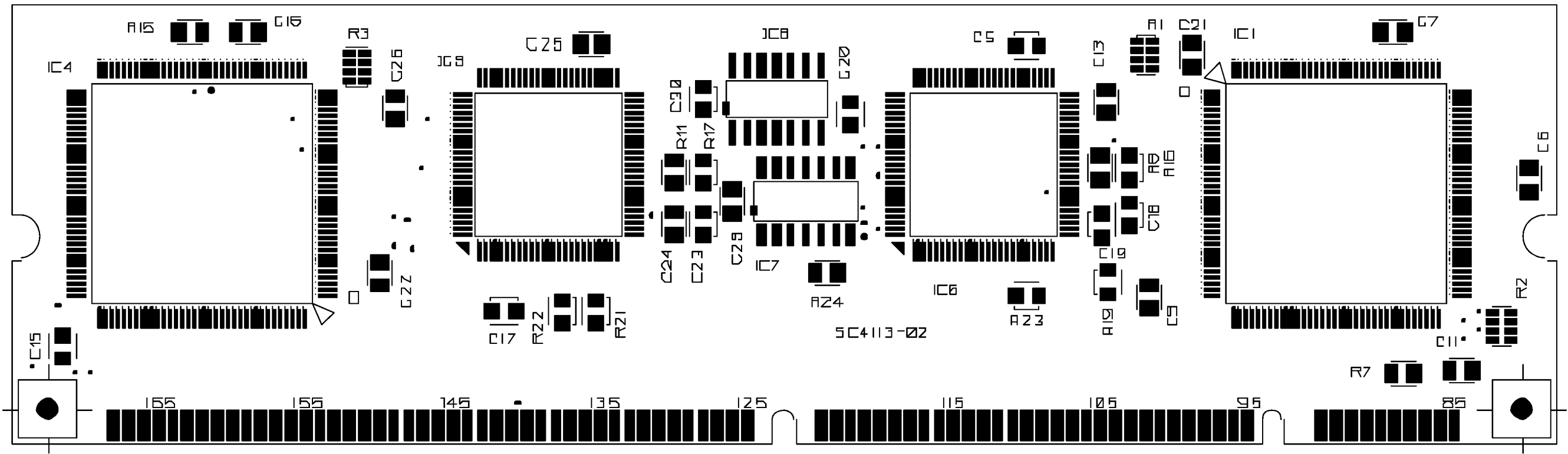


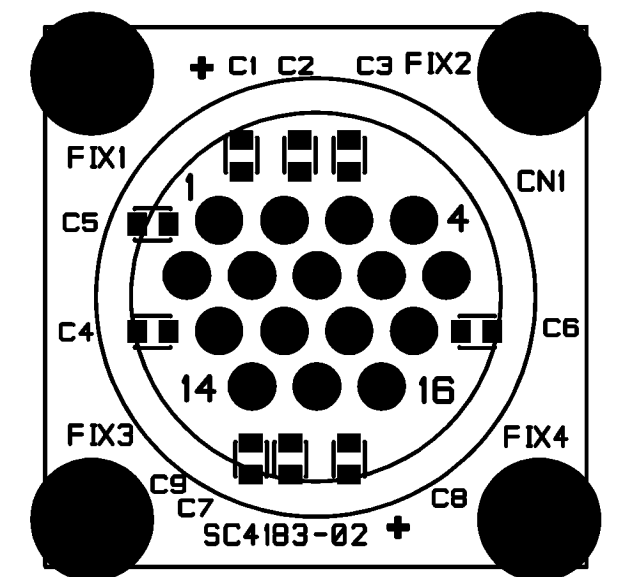
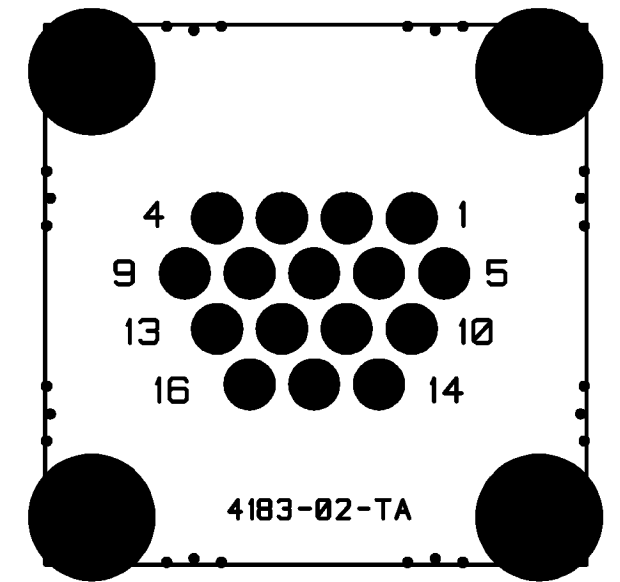
RC3962
REV. [REDACTED]

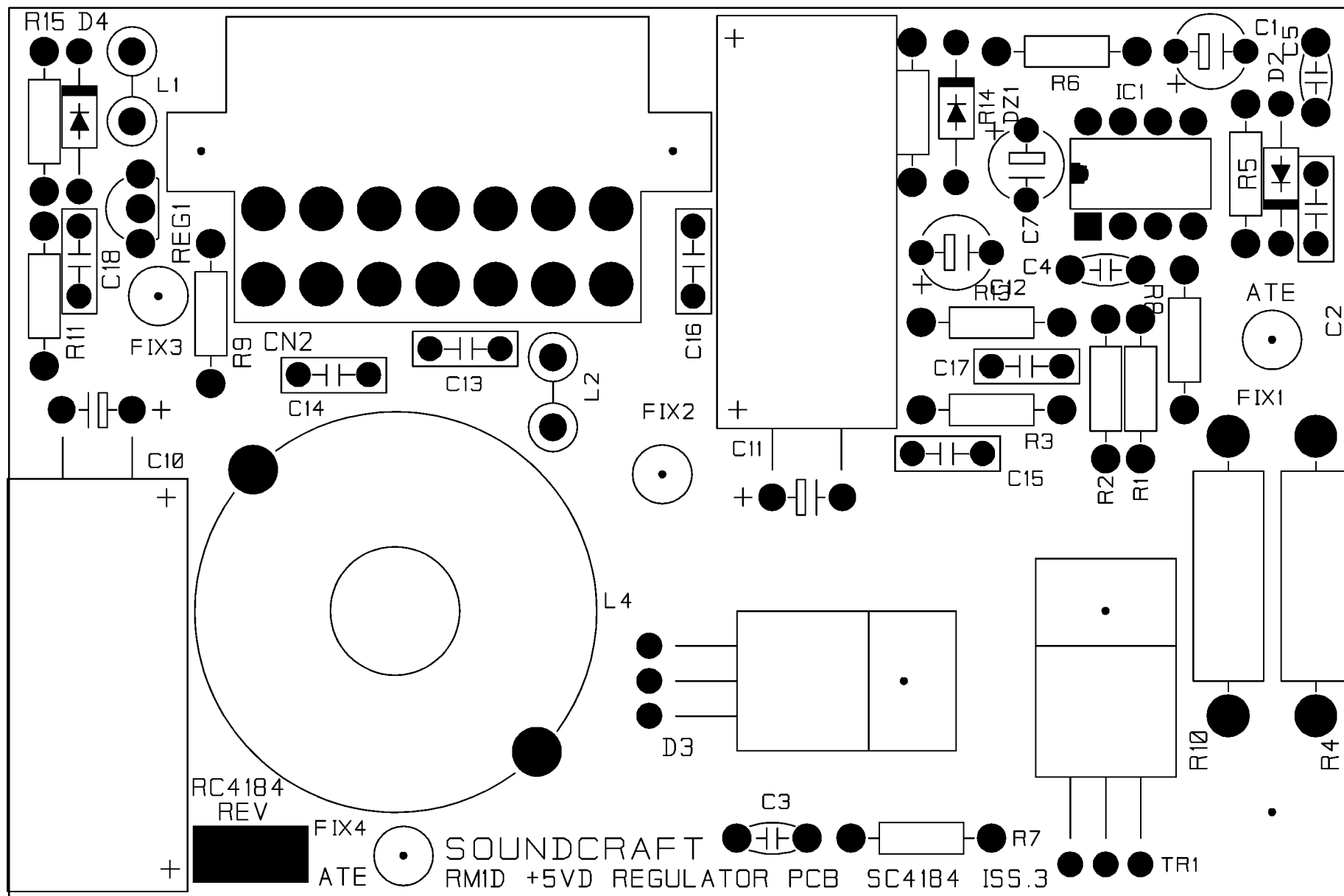
SMT
AX
RAD
AFS
ATE
FUNC

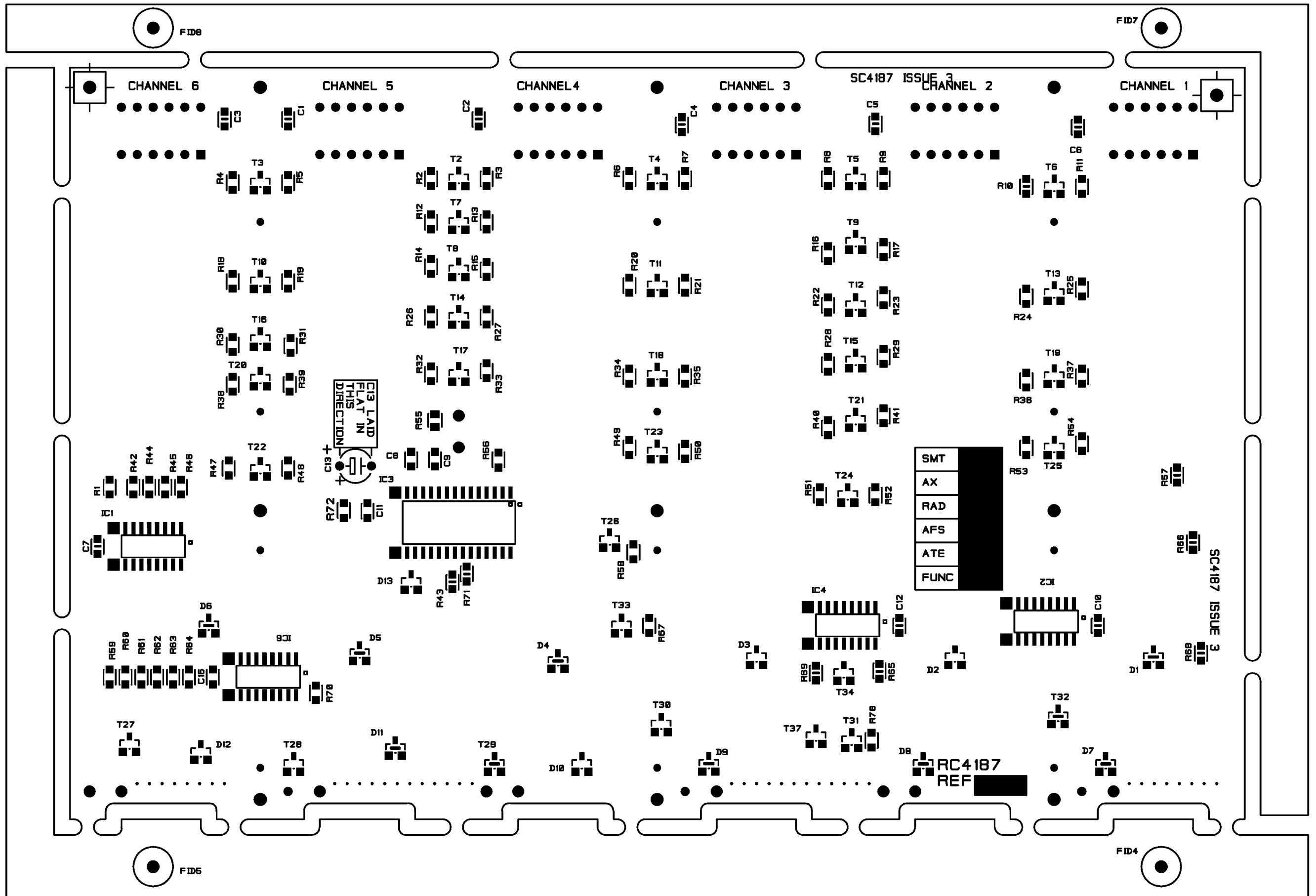
CONNECTORS FROM
MASTER BACKPLANE

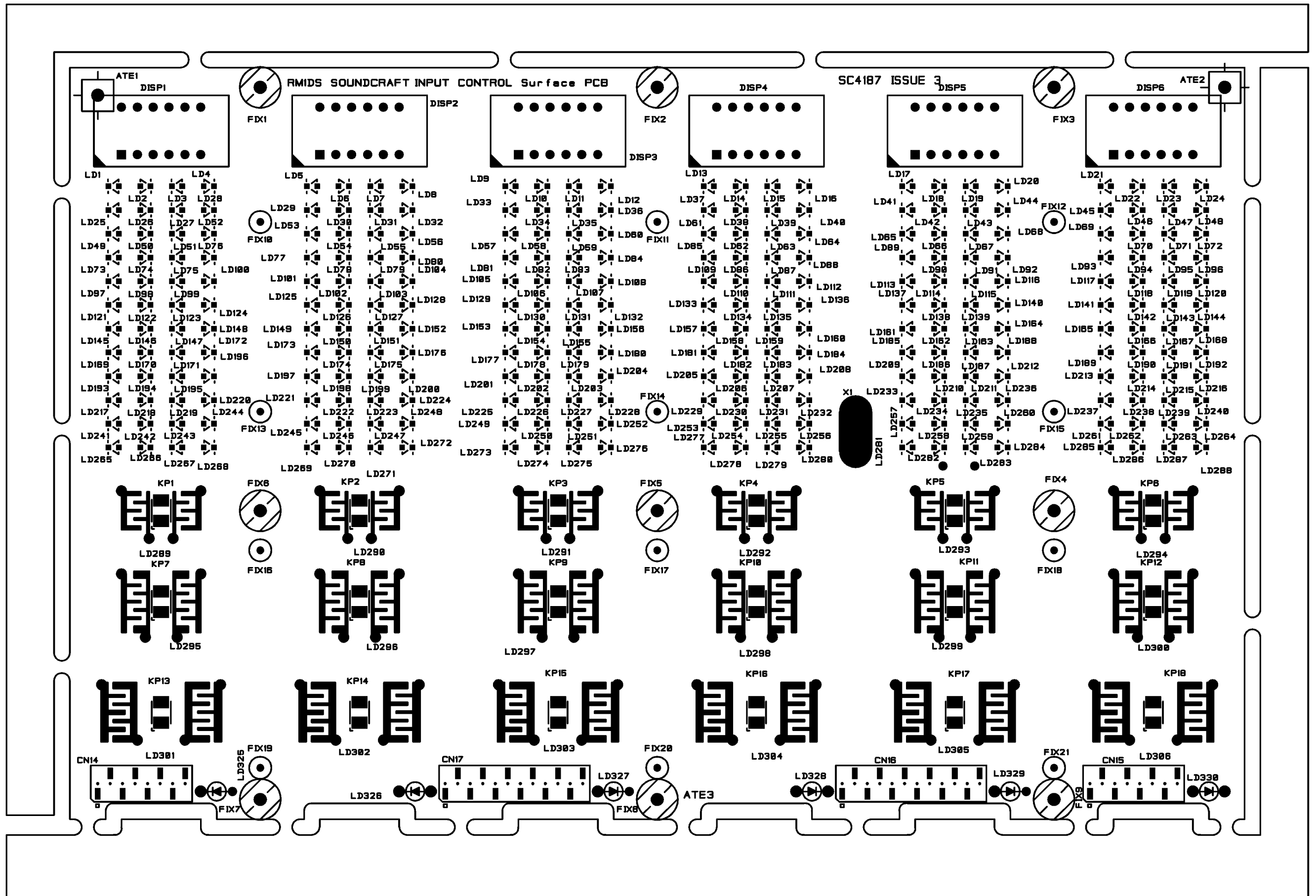
SC3962 ISSUE 3

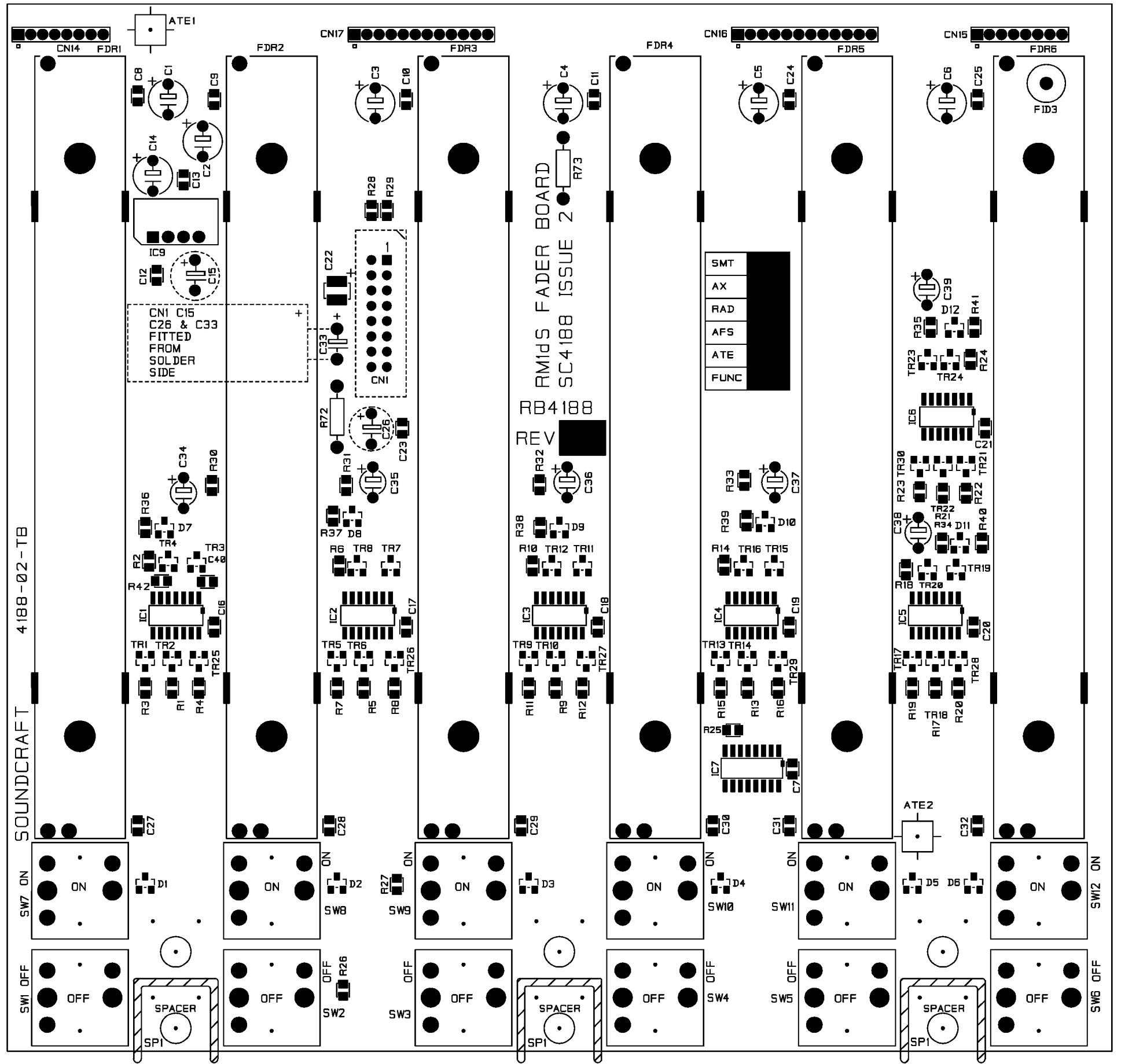


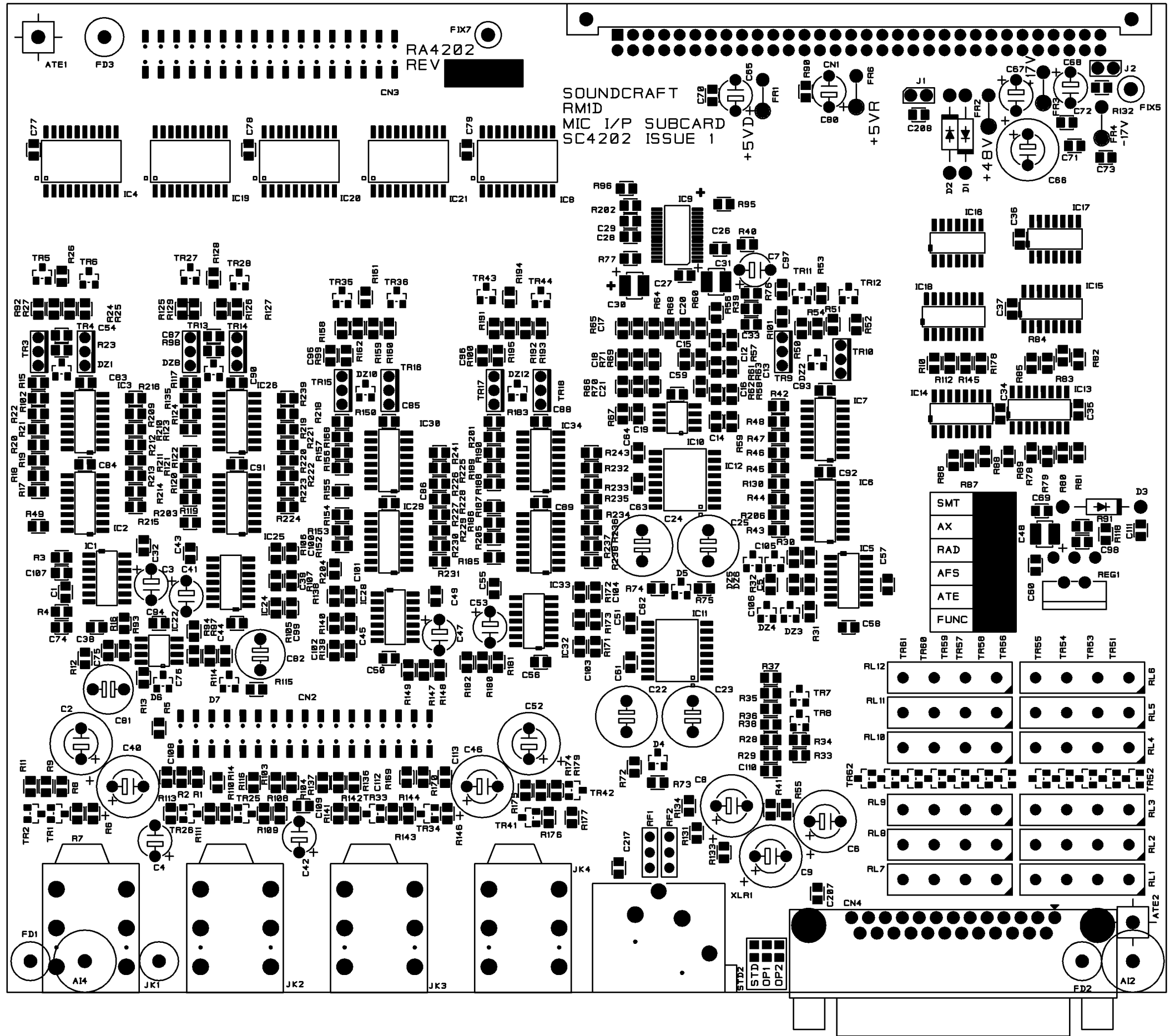


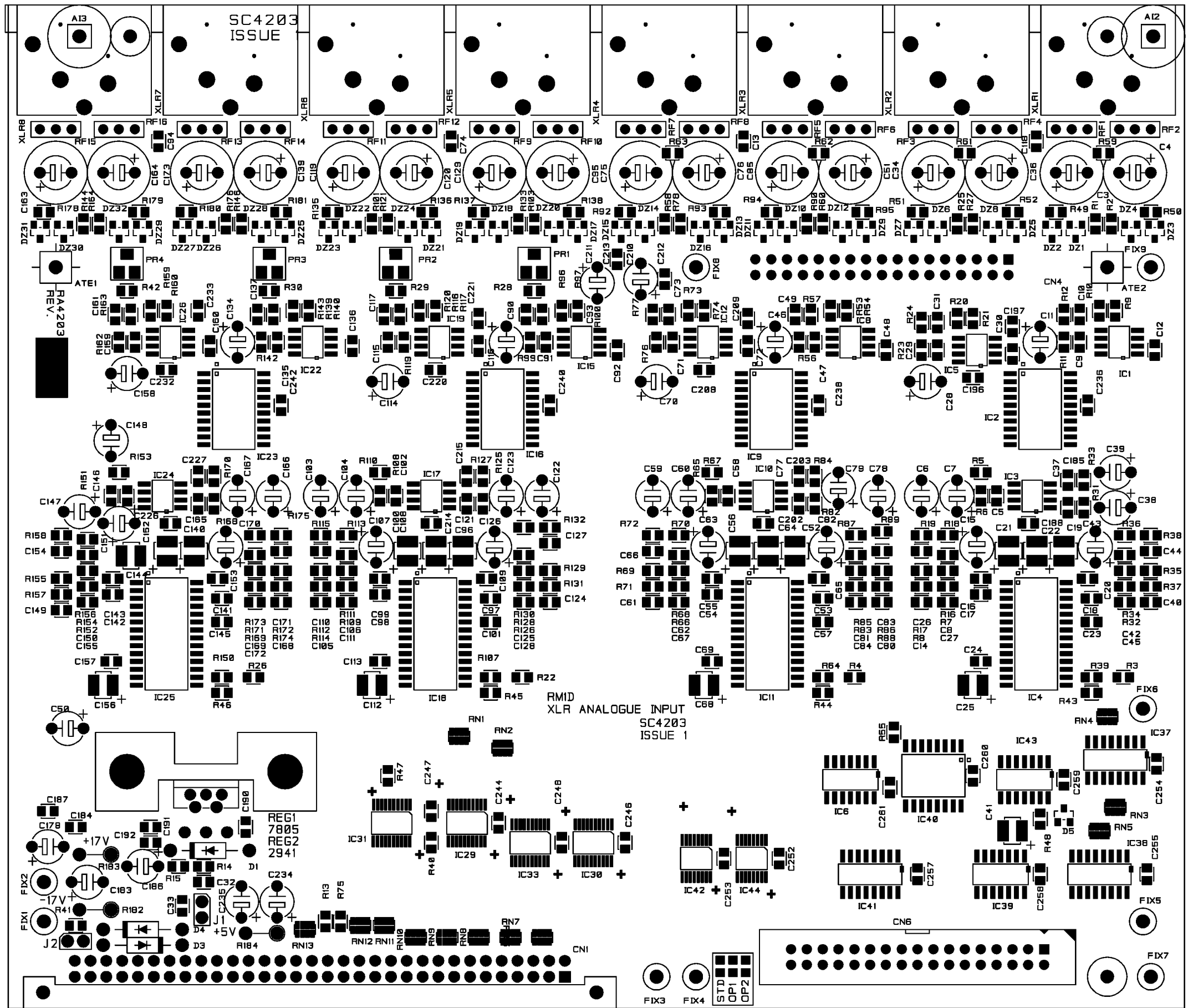


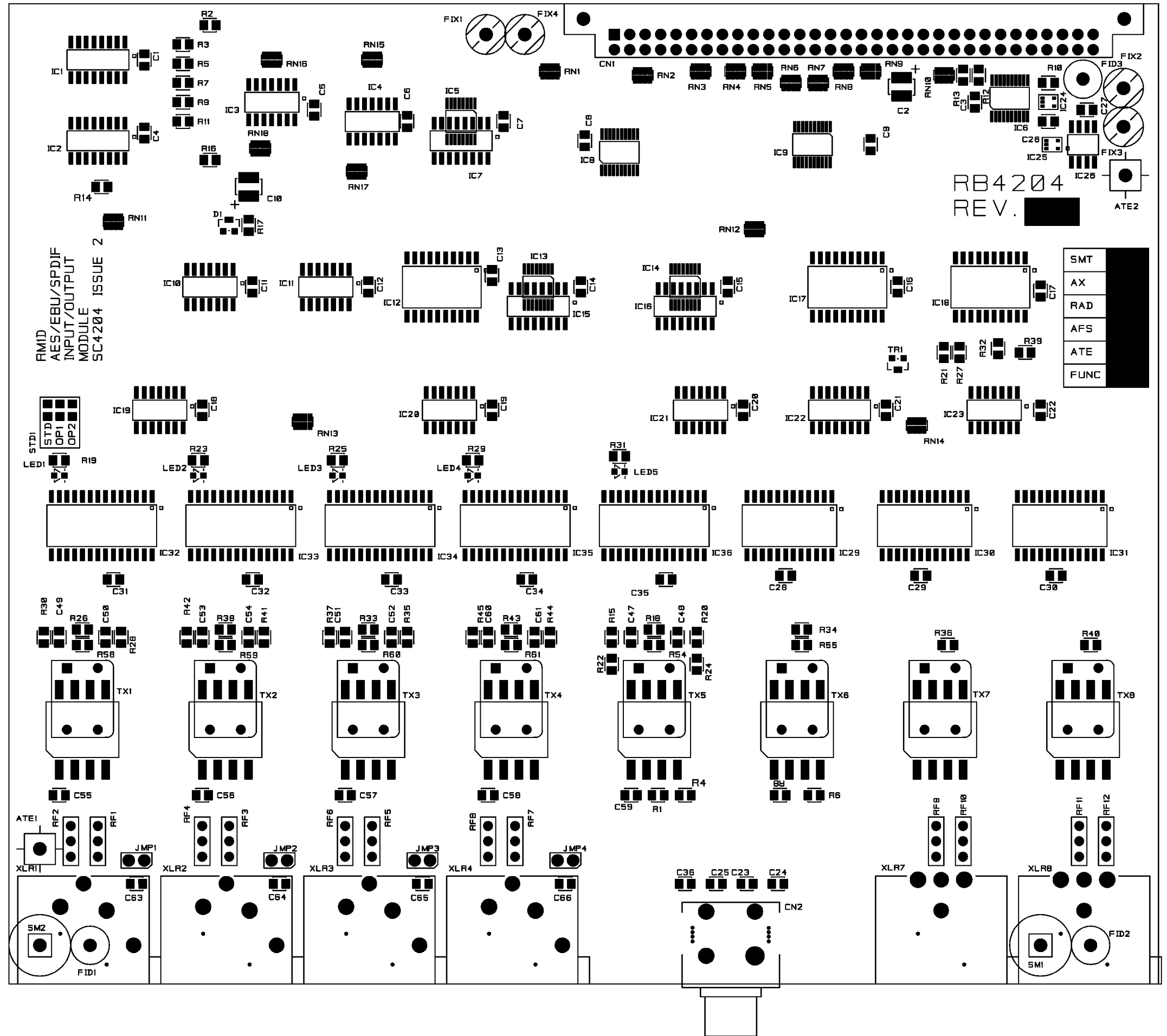


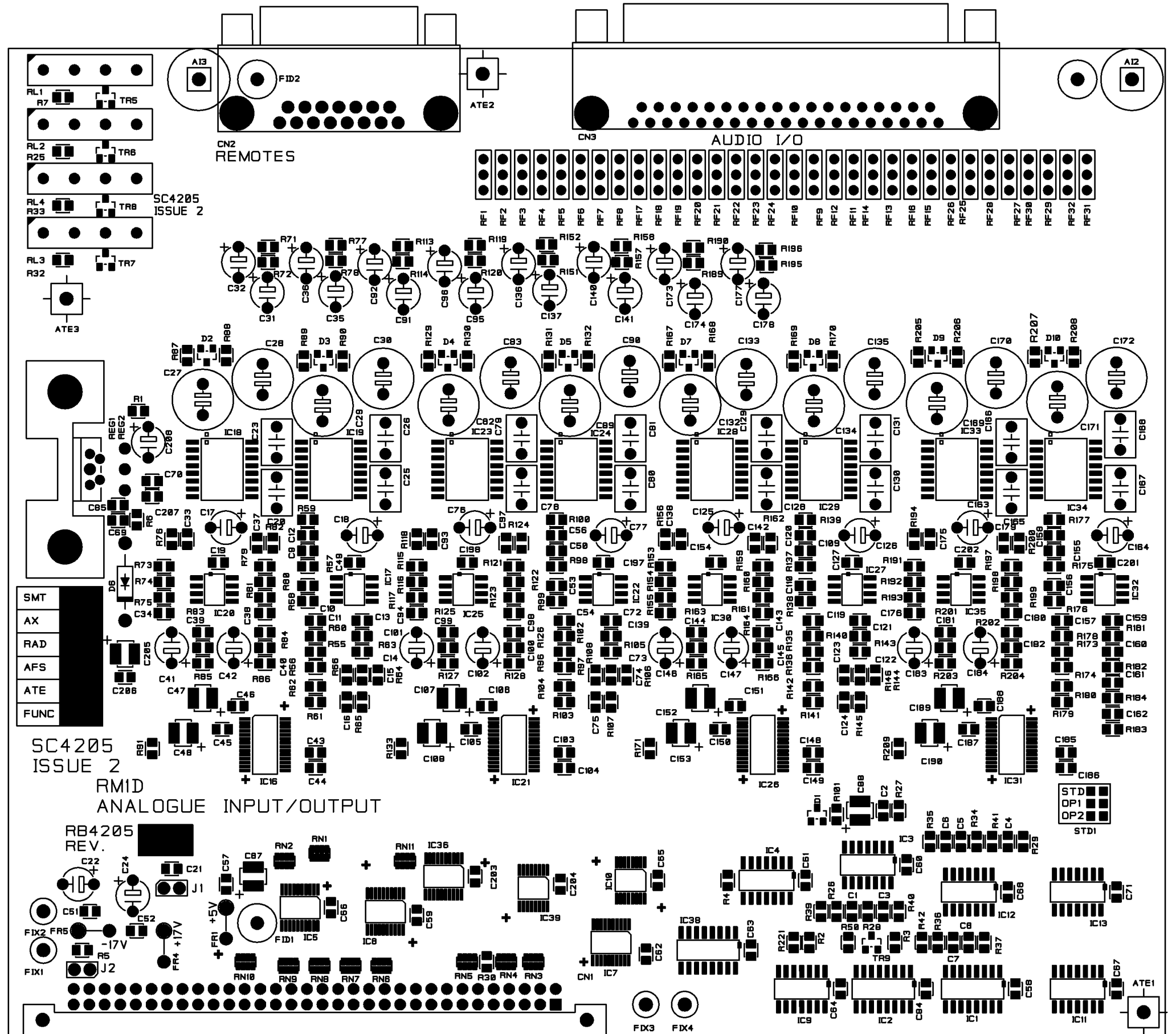


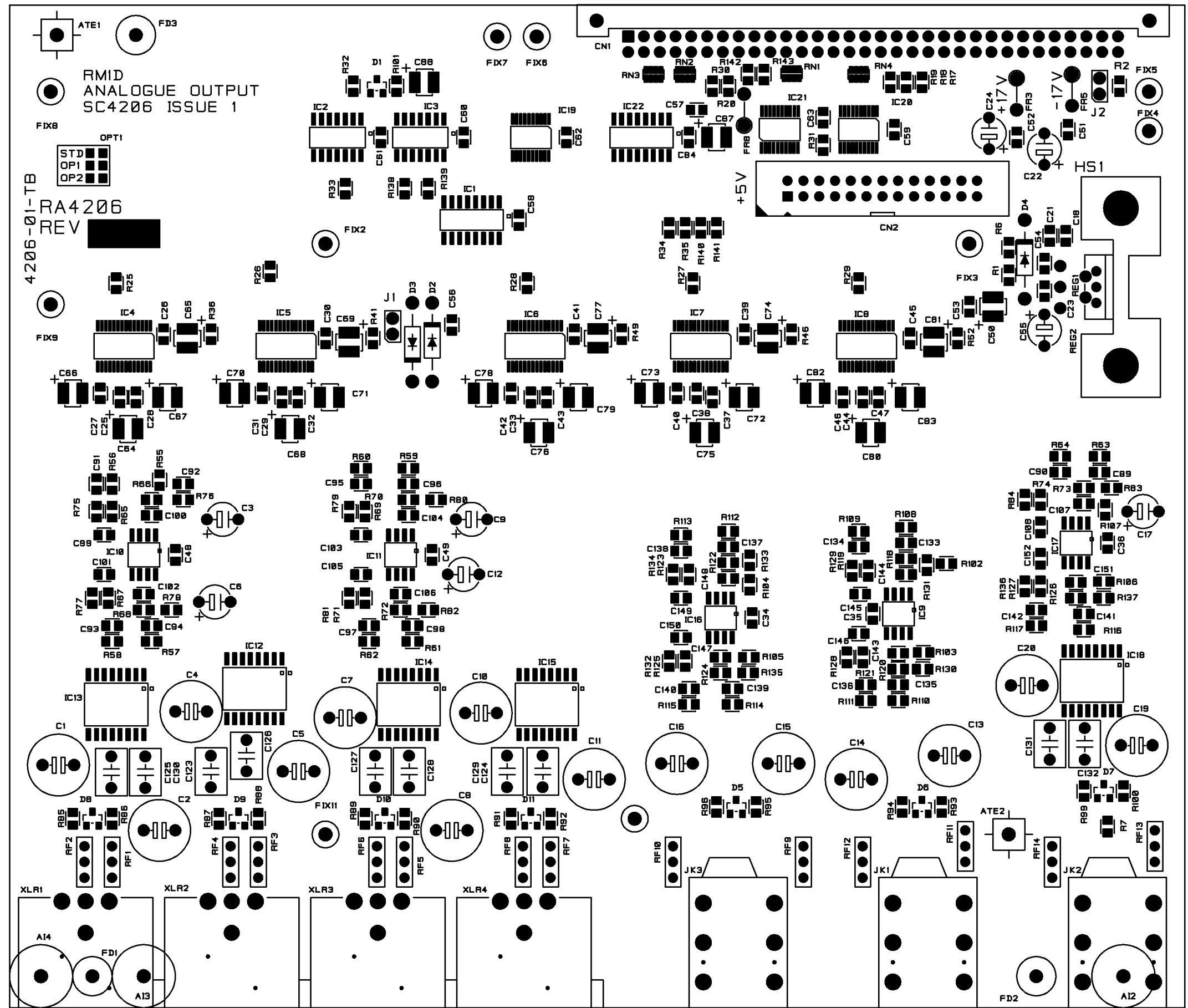






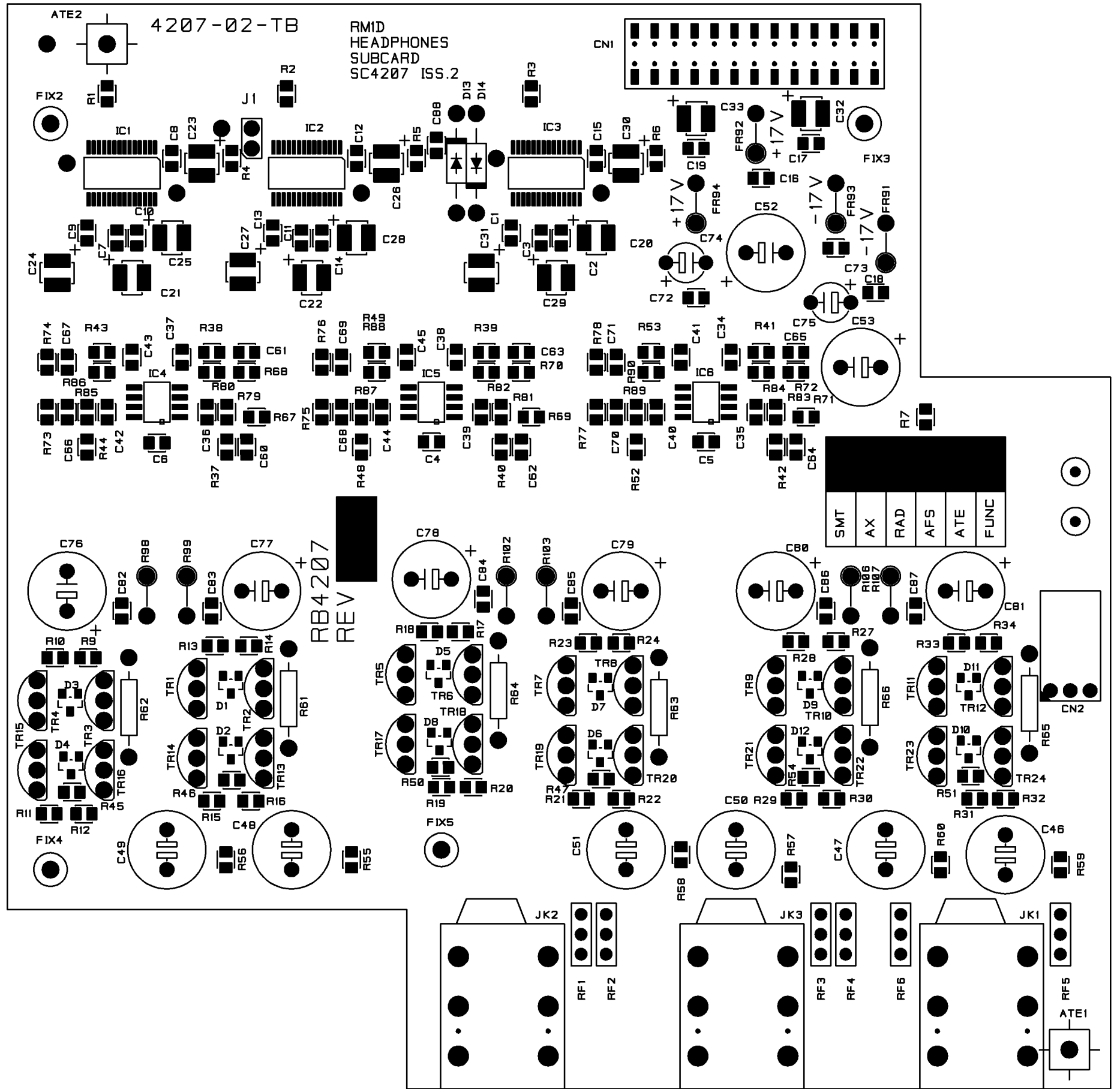


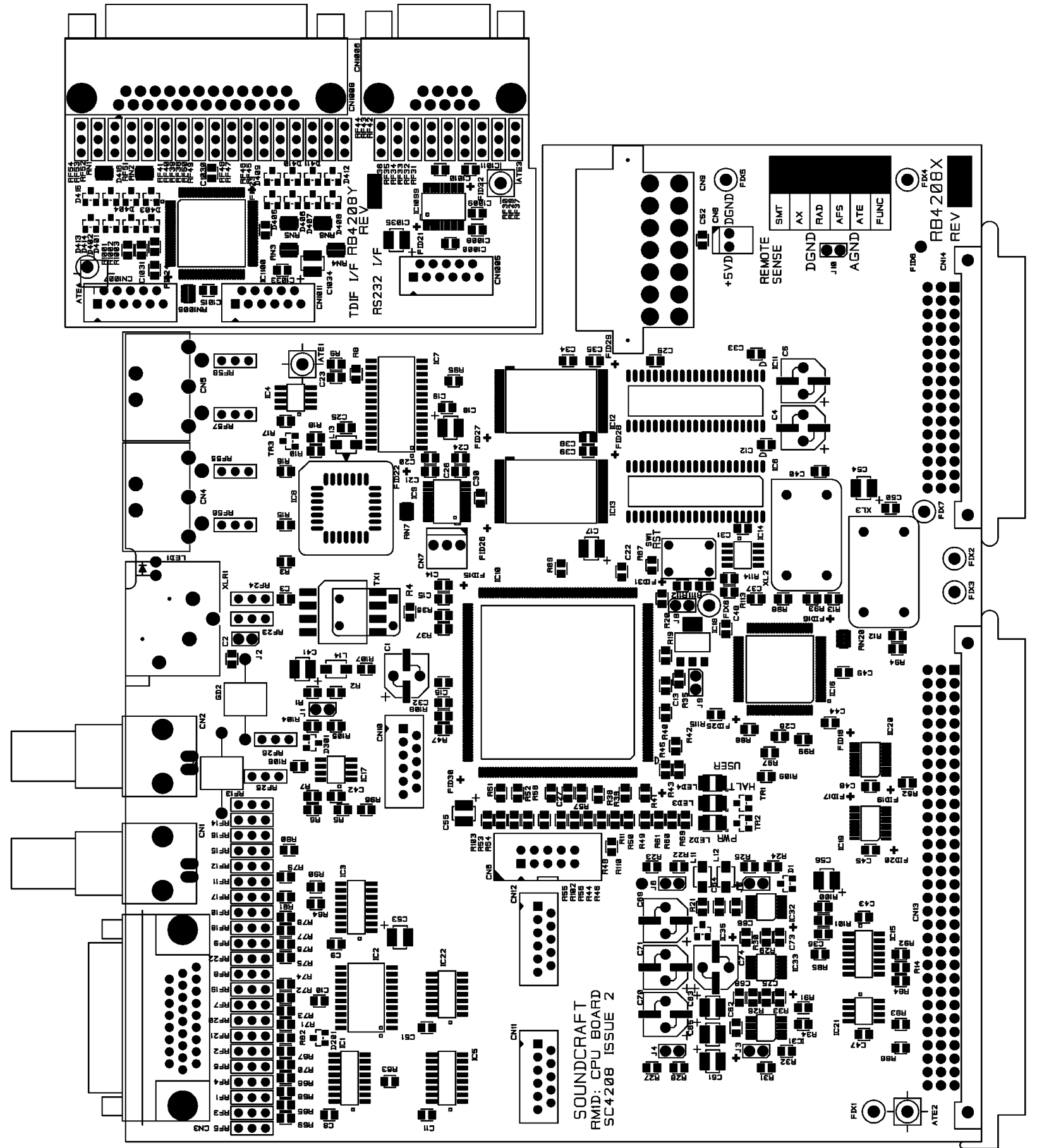


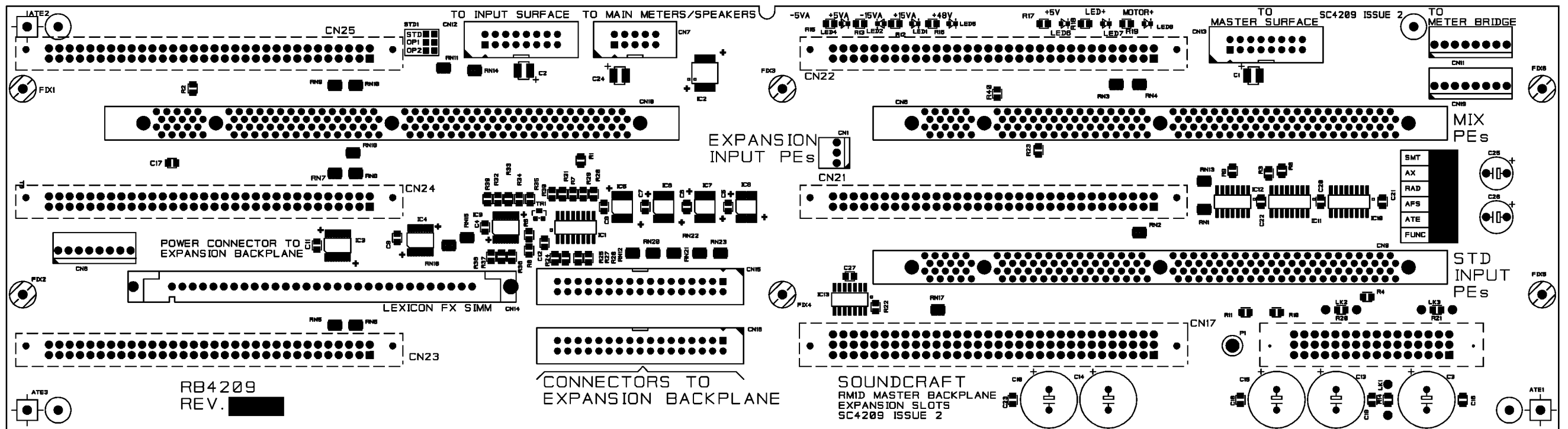
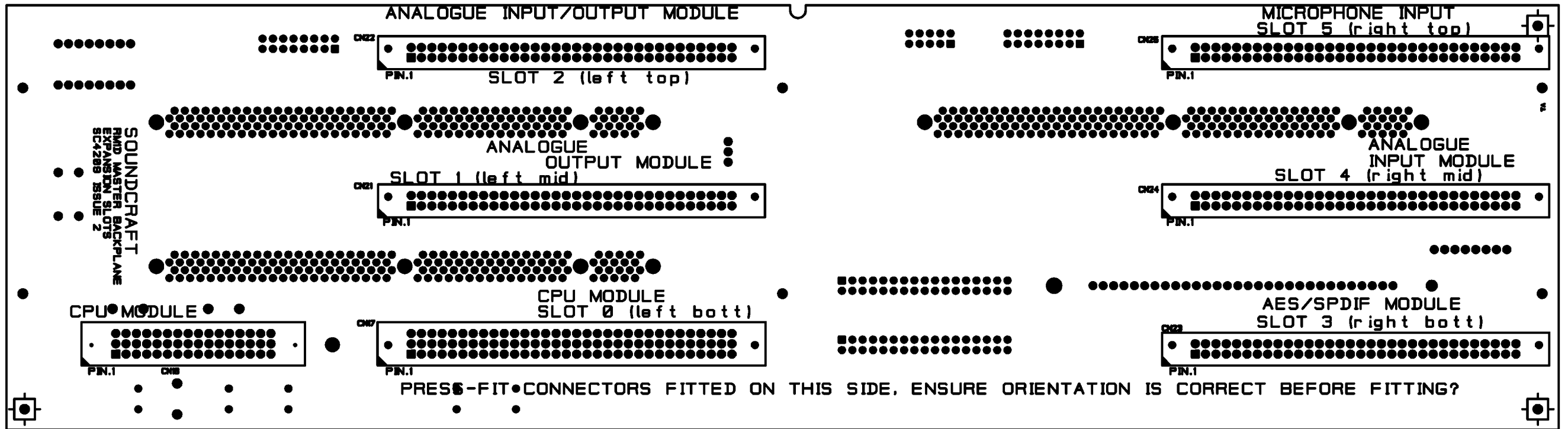


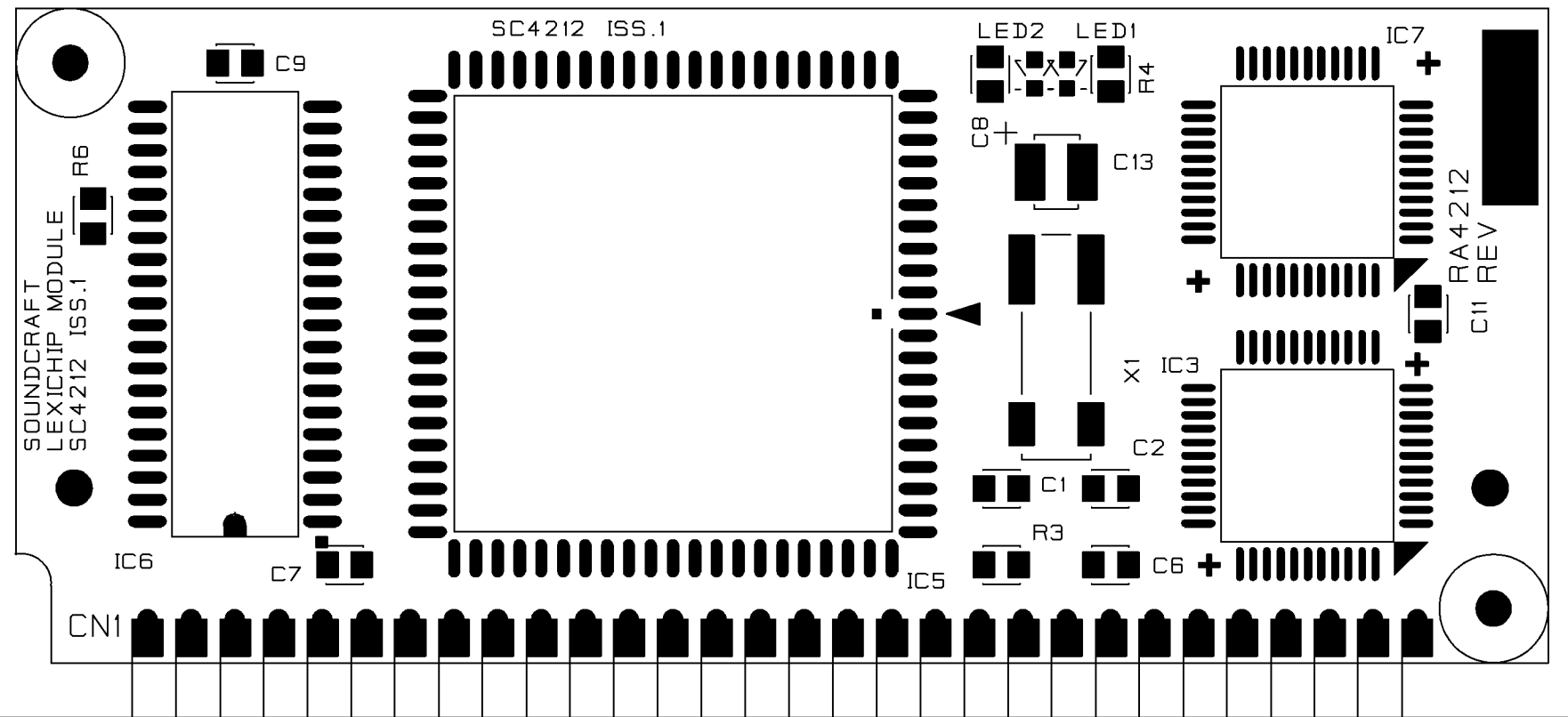
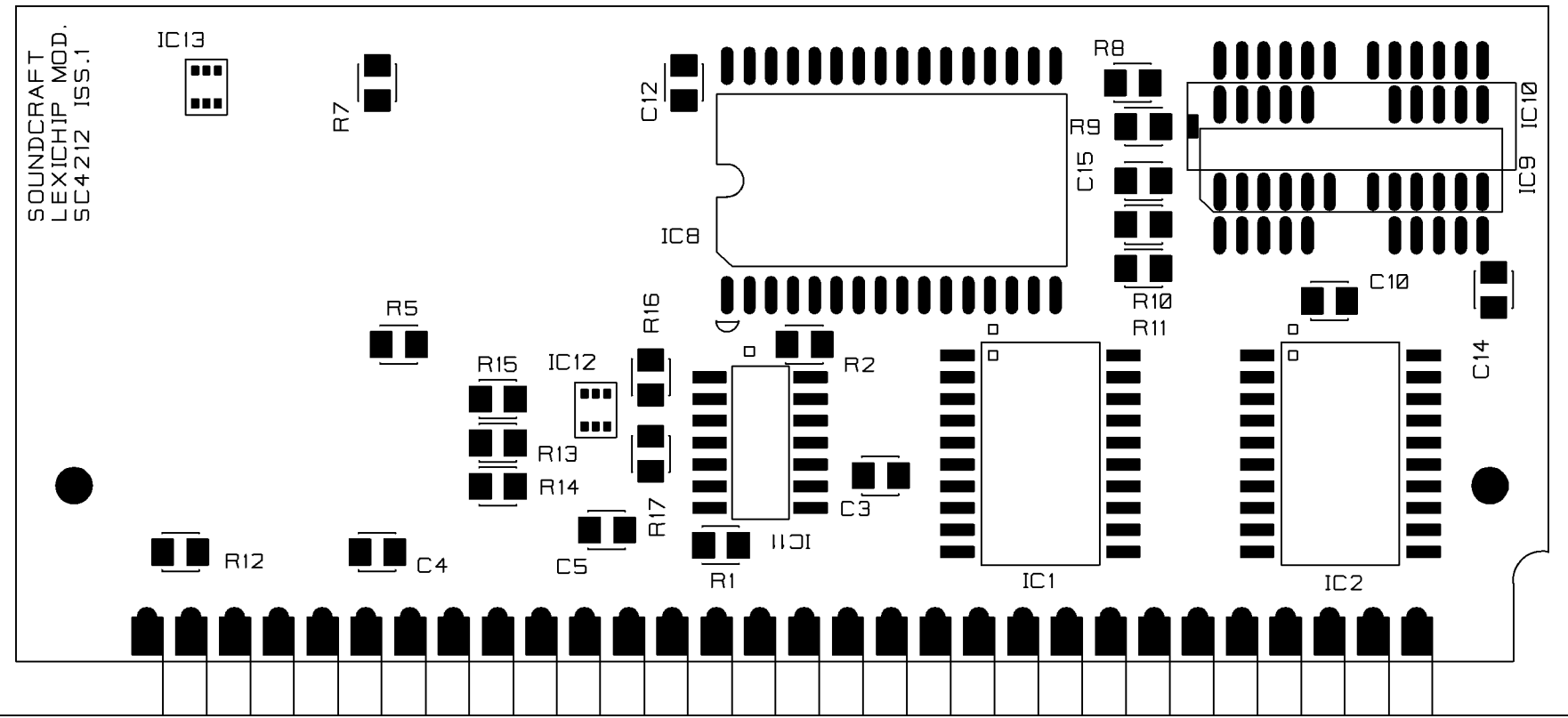
RM1d
ANALOGUE OUTPUT
SC4206 ISSUE 1

4206-01-TB
RA4206
REV









Spare Parts

RMId/RMIdS Spare Parts

CONTENTS

CONSOLES		5
RMID 6-FADER FRAME CONSOLE(G3)	RW5660.....	5
RMID 6-FADER FRM+P&G CNSL(G3)	RW5660PG.....	5
RMID 12-FADER W/SCRPT CNSL(G3)	RW5661.....	5
RMID 12-FADER W/SCRIPT+P&G CNS	RW5661PG.....	5
RMID 12-FADER NST CONSOLE(G3)	RW5662.....	5
RMID 12-FADER NST+P&G CNSL(G3)	RW5662PG.....	6
RMIDS 6-FADER CONSOLE	RW5664.....	6
RMIDS 12-FADER CONSOLE+SCRIPT	RW5665.....	6
RMIDS 12-FADER CONSOLE	RW5666.....	6
MAIN ASSEMBLIES		7
RMID REAR BLANK PNL	PB0734-02.....	Error! Bookmark not defined.
RMID SCRIPT TRAY	PH1500-02.....	Error! Bookmark not defined.
RMIDS SCRIPT TRAY	PH1571-01.....	Error! Bookmark not defined.
RMID 6-FADER WRD FRM(G3)	RR1258.....	7
RMID 12-FDR W/SCRPT WRD FRM(G3)	RR1259.....	7
RMID 12-FADER NST WRD FRM(G3)	RR1260.....	7
RMID 6-FDR M/B FRNT PNL(VU)	RS2163.....	7
RMID 12-FDR M/B FRNT PNL(VU)	RS2165.....	7
RMID 12-FDR NST M/B(VU)	RS2219.....	7
RMID MASTER REAR PNL ASSY(G3)	RS2245.....	8
RMID 1-6I/P REAR PNL ASSY(G3)	RS2247.....	8
RMID 7-12I/P REAR PNL ASSY(G3)	RS2248.....	8
RMID MASTER FRONT PNL ASSY(G3)	RS2250.....	8
RMID MAST FRONT PNL+P&G ASSY(G	RS2250PG.....	8
RMID INPUT FRONT PNL ASSY(G3)	RS2251.....	8
RMID I/P FRONT PNL+P&G ASSY(G3)	RS2251PG.....	8
RMIDS I/P PANEL ASSY	RS2253.....	9
RMIDS MASTER PANEL ASSY	RS2254.....	9
RMIDS 6-FADER VU M/B ASSY	RS2255.....	9
RMIDS 12-FADER VU M/B ASSY	RS2261.....	9
RMIDS 12FDR+ST VU M/B ASSY	RS2267.....	9
RMID 12-FADER NST FRM ASSY	RT2061.....	9
RMID 6-FADER MECH FRM(G3)	RT2069.....	9
RMID 12-FDR W/SCRPT MECH FRM(G	RT2070.....	10
RMID SOFTWARE DOWNLOAD CBL	RV4117.....	10
RMID 6-FADER FRM CNSL TSTD(G3)	RY5660.....	10
RMID 6-FDR W/SCRPT CNSL TSTD(G	RY5661.....	10
RMID 12-FDR NST CNSL TSTD(G3)	RY5662.....	10
WIREFORMS USED IN THE FRAMES	10	
SWITCH TOPS, FADER TOPS AND KNOBS		11
FADERS		12
MODULES AND FRAME PCBS		13
RMID MIC I/P PCB ASSY	RA4202.....	13
RMID ANALOGUE I/P PCB ASSY	RA4203.....	14
RMID ADD ANALOGUE I/O PCB ASSY	RA4205.....	15
RMID ANALOGUE MON O/P PCB ASSY	RA4206.....	16
RMID H/PHN SUBCARD PCB ASSY	RA4207.....	17
RMID CPU MASTER PCB ASSY	RA4208A.....	18
RMID MAST BACKPLANE PCB A	RA4209A.....	18
RMID 12FDR MST B/PLANE PC	RA4209B.....	18
RMID LEXI-MOD PCB ASSY(G3)	RA4212.....	19

RMID DUAL VU DRIVER PCB ASSY	RB3471C	19
328XD SPE MODULE PCB ASSY	RB4113	19
RMIDS FDR PCB ASSY	RB4188	19
RMID AES/SPDIF PCB ASSY	RB4204	20
RMID TIMER PCB	RC3950	20
RMID B/PLANE EXTENSION PC	RC3962	20
RMID +5 VOLT REG.PCB ASSY	RC4184	21
RMID DPE MODULE PCB ASSY	RD3948B.....	21
RMID MTR/SPKR PCB ASSY	RD3960A.....	21
RMID MTR/SPKR PCB ASSY	RD3960C	22
RMID I/P SURFACE PCB ASSY	RE3946	22
RMID MASTER SURFACE PCB ASSY	RG3947	22
RMIDS MASTER SURFACE PCB ASSY	RG3947-US	23
PCBS		24
RMID MIC I/P PCB SM ASSY	RA4202A-SM.....	24
RMID ANALOGUE I/P PCB SM ASSY	RA4203A-SM.....	29
RMID ADD ANALOGUE I/O SM ASSY	RA4205A-SM.....	34
RMID ANALOGUE MO/P PCB SM ASSY	RA4206A-SM.....	39
RMID H/PHN SUBCARD PCB SM ASSY	RA4207A-SM.....	42
RMID CPU MASTER PCB SM ASSY	RA4208A-SM.....	44
RMID MAST BACKPLANE SM AS	RA4209A-SM.....	48
RMID LEXI-MOD PCB SM ASSY(G3)	RA4212A-SM.....	49
328XD SPE MODULE PCB SM ASSY	RB4113A-SM.....	50
RMIDS FDR PCB SM ASSY	RB4188A-SM.....	51
RMID AES/SPDIF PCB SM ASSY	RB4204A-SM.....	53
RMID TIMER PCB SM ASSY	RC3950A-SM	55
RMID B/PLANE EXTENSION SM ASSY	RC3962A-SM	55
RMID DPE MODULE PCB SM ASSY	RD3948B-SM	56
RMID MTR/SPKR PCB SM ASSY	RD3960A-SM	56
RMID MTR/SPKR PCB SM ASSY	RD3960C-SM.....	57
RMID I/P SURFACE PCB SM ASSY	RE3946A-SM	58
RMID MAST SURFACE PCB SM ASSY	RG3947A-SM	65
MISCELLANEOUS HARDWARE		69

CONSOLES**RMID 6-FADER FRAME CONSOLE(G3)**

Description
M3X5 CSK POZI BLK TRUNCATED SC
RMID 6-FADER WRD FRM(G3)
RMID 6-FDR M/B FRNT PNL(VU)
RMID MASTER REAR PNL ASSY(G3)
RMID 1-6I/P REAR PNL ASSY(G3)
RMID MASTER FRONT PNL ASSY(G3)
RMID INPUT FRONT PNL ASSY(G3)
RMID 6-FADER MECH FRM(G3)
RMID SOFTWARE DOWNLOAD CBL
RMID 6-FADER FRM CNSL TSTD(G3)

RW5660

Part Number
NA0328
RR1258
RS2163
RS2245
RS2247
RS2250
RS2251
RT2069
RV4117
RY5660

RMID 6-FADER FRM+P&G CNSL(G3)

Description
M3X5 CSK POZI BLK TRUNCATED SC
RMID 6-FADER WRD FRM(G3)
RMID 6-FDR M/B FRNT PNL(VU)
RMID MASTER REAR PNL ASSY(G3)
RMID 1-6I/P REAR PNL ASSY(G3)
RMID MAST FRONT PNL+P&G ASSY(G
RMID I/P FRONT PNL+P&G ASSY(G3)
RMID 6-FADER MECH FRM(G3)
RMID SOFTWARE DOWNLOAD CBL
RMID 6-FADER FRM CNSL TSTD(G3)

RW5660PG

Part Number
NA0328
RR1258
RS2163
RS2245
RS2247
RS2250PG
RS2251PG
RT2069
RV4117
RY5660

RMID 12-FADER W/SCRPT CNSL(G3)

Description
M3X5 CSK POZI BLK TRUNCATED SC
RMID REAR BLANK PNL
RMID SCRIPT TRAY
RMID 12-FDR W/SCRPT WRD FRM(G3)
RMID 12-FDR M/B FRNT PNL(VU)
RMID MASTER REAR PNL ASSY(G3)
RMID 1-6I/P REAR PNL ASSY(G3)
RMID 7-12I/P REAR PNL ASSY(G3)
RMID MASTER FRONT PNL ASSY(G3)
RMID INPUT FRONT PNL ASSY(G3)
RMID 12-FDR W/SCRPT MECH FRM(G
RMID SOFTWARE DOWNLOAD CBL
RMID 6-FDR W/SCRPT CNSL TSTD(G

RW5661

Part Number
NA0328
PB0734-02
PH1500-02
RR1259
RS2165
RS2245
RS2247
RS2248
RS2250
RS2251
RT2070
RV4117
RY5661

RMID 12-FADER W/SCRIPT+P&G CNS

Description
M3X5 CSK POZI BLK TRUNCATED SC
RMID REAR BLANK PNL
RMID SCRIPT TRAY
RMID 12-FDR W/SCRPT WRD FRM(G3)
RMID 12-FDR M/B FRNT PNL(VU)
RMID MASTER REAR PNL ASSY(G3)
RMID 1-6I/P REAR PNL ASSY(G3)
RMID 7-12I/P REAR PNL ASSY(G3)
RMID MAST FRONT PNL+P&G ASSY(G
RMID I/P FRONT PNL+P&G ASSY(G3)
RMID 12-FDR W/SCRPT MECH FRM(G
RMID SOFTWARE DOWNLOAD CBL
RMID 6-FDR W/SCRPT CNSL TSTD(G

RW5661PG

Part Number
NA0328
PB0734-02
PH1500-02
RR1259
RS2165
RS2245
RS2247
RS2248
RS2250PG
RS2251PG
RT2070
RV4117
RY5661

RMID 12-FADER NST CONSOLE(G3)

Description
M3X5 CSK POZI BLK TRUNCATED SC
RMID 12-FADER NST WRD FRM(G3)
RMID 12-FDR NST M/B(VU)

RW5662

Part Number
NA0328
RR1260
RS2219

RMID MASTER REAR PNL ASSY(G3)	RS2245
RMID 1-6I/P REAR PNL ASSY(G3)	RS2247
RMID 7-12I/P REAR PNL ASSY(G3)	RS2248
RMID MASTER FRONT PNL ASSY(G3)	RS2250
RMID INPUT FRONT PNL ASSY(G3)	RS2251
RMID 12-FADER NST FRM ASSY	RT2061
RMID SOFTWARE DOWNLOAD CBL	RV4117
RMID 12-FDR NST CNSL TSTD(G3)	RY5662

RMID 12-FADER NST+P&G CNSL(G3)

Description

M3X5 CSK POZI BLK TRUNCATED SC
RMID 12-FADER NST WRD FRM(G3)
RMID 12-FDR NST M/B(VU)
RMID MASTER REAR PNL ASSY(G3)
RMID 1-6I/P REAR PNL ASSY(G3)
RMID 7-12I/P REAR PNL ASSY(G3)
RMID MAST FRONT PNL +P&G ASSY(G
RMID I/P FRONT PNL+P&G ASSY(G3)
RMID 12-FADER NST FRM ASSY
RMID SOFTWARE DOWNLOAD CBL
RMID 12-FDR NST CNSL TSTD(G3)

RW5662PG

Part Number

NA0328
RR1260
RS2219
RS2245
RS2247
RS2248
RS2250PG
RS2251PG
RT2061
RV4117
RY5662

RMIDS 6-FADER CONSOLE

Description

M3X5 CSK POZI BLK TRUNCATED SC
RMID 6-FADER WRD FRM(G3)
RMID MASTER REAR PNL ASSY(G3)
RMID 1-6I/P REAR PNL ASSY(G3)
RMIDS I/P PANEL ASSY
RMIDS MASTER PANEL ASSY
RMIDS 6-FADER VU M/B ASSY
RMID 6-FADER MECH FRM(G3)
RMID SOFTWARE DOWNLOAD CBL
RMID 6-FADER FRM CNSL TSTD(G3)

RW5664

Part Number

NA0328
RR1258
RS2245
RS2247
RS2253
RS2254
RS2255
RT2069
RV4117
RY5660

RMIDS 12-FADER CONSOLE+SCRIPT

Description

M3X5 CSK POZI BLK TRUNCATED SC
RMID REAR BLANK PNL
RMIDS SCRIPT TRAY
RMID 12-FDR W/SCRIPT WRD FRM(G3)
RMID MASTER REAR PNL ASSY(G3)
RMID 1-6I/P REAR PNL ASSY(G3)
RMID 7-12I/P REAR PNL ASSY(G3)
RMIDS I/P PANEL ASSY
RMIDS MASTER PANEL ASSY
RMIDS 12FDR+ST VU M/B ASSY
RMID 12-FDR W/SCRIPT MECH FRM(G
RMID SOFTWARE DOWNLOAD CBL
RMID 6-FDR W/SCRIPT CNSL TSTD(G

RW5665

Part Number

NA0328
PB0734-02
PH1571-01
RR1259
RS2245
RS2247
RS2248
RS2253
RS2254
RS2267
RT2070
RV4117
RY5661

RMIDS 12-FADER CONSOLE

Description

M3X5 CSK POZI BLK TRUNCATED SC
RMID REAR BLANK PNL
RMID 12-FDR W/SCRIPT WRD FRM(G3)
RMID MASTER REAR PNL ASSY(G3)
RMID 1-6I/P REAR PNL ASSY(G3)
RMID 7-12I/P REAR PNL ASSY(G3)
RMIDS I/P PANEL ASSY
RMIDS MASTER PANEL ASSY
RMIDS 12-FADER VU M/B ASSY
RMID 12-FDR W/SCRIPT MECH FRM(G
RMID SOFTWARE DOWNLOAD CBL
RMID 6-FDR W/SCRIPT CNSL TSTD(G

RW5666

Part Number

NA0328
PB0734-02
RR1259
RS2245
RS2247
RS2248
RS2253
RS2254
RS2261
RT2070
RV4117
RY5661

MAIN ASSEMBLIES**RMID 6-FADER WRD FRM(G3)**

Ident	Description	Part Number
---	RMID LOWER SCREEN PLATE	PF0695-01
---	RMID TOP SCREEN PLATE	PF0696-02
---	PANEL FASTENER D-TYPE	PZ2316
pcb ass	RMID MAST BACKPLANE PCB A	RA4209A
pcb ass	RMID LEXI-MOD PCB ASSY(G3)	RA4212
pcb ass	328XD SPE MODULE PCB ASSY	RB4113
pcb ass	RMID DPE MODULE PCB ASSY	RD3948B

RR1258**RMID 12-FDR W/SCRIPT WRD FRM(G3)**

Ident	Description	Part Number
---	RMID LOWER SCREEN PLATE	PF0695-01
---	RMID TOP SCREEN PLATE	PF0696-02
---	RMID LWR SCREEN PLATE	PF0708-01
---	RMID TOP SCREEN PLATE	PF0709-01
---	RMID LH REAR SHIELD	PF0713-01
---	RMID RH REAR SHIELD	PF0714-01
---	PANEL FASTENER D-TYPE	PZ2316
pcb ass	RMID 12FDR MST B/PLANE PC	RA4209B
pcb ass	RMID LEXI-MOD PCB ASSY(G3)	RA4212
pcb ass	328XD SPE MODULE PCB ASSY	RB4113
pcb ass	RMID B/PLANE EXTENSION PC	RC3962
pcb ass	RMID DPE MODULE PCB ASSY	RD3948B

RR1259**RMID 12-FADER NST WRD FRM(G3)**

Ident	Description	Part Number
---	RMID LOWER SCREEN PLATE	PF0695-01
---	RMID TOP SCREEN PLATE	PF0696-02
---	RMID LWR SCREEN PLATE	PF0708-01
---	RMID TOP SCREEN PLATE	PF0709-01
---	PANEL FASTENER D-TYPE	PZ2316
pcb ass	RMID 12FDR MST B/PLANE PC	RA4209B
pcb ass	RMID LEXI-MOD PCB ASSY(G3)	RA4212
pcb ass	328XD SPE MODULE PCB ASSY	RB4113
pcb ass	RMID B/PLANE EXTENSION PC	RC3962
pcb ass	RMID DPE MODULE PCB ASSY	RD3948B

RR1260**RMID 6-FDR M/B FRNT PNL(VU)**

Ident	Description	Part Number
---	AL29WF LIGHT BOX UNIT	JD0376
---	SIFAM AL29WF VU MTR BUFF SCALE	JD0386
---	RMID 6-FADER M/B FRONT PNL	PJ1589-02
---	TIMER DISP.WINDOW MOULDING GRY	PK2593-01
pcb ass	RMID DUAL VU DRIVER PCB ASSY	RB3471C
pcb ass	RMID TIMER PCB	RC3950
pcb ass	RMID MTR/SPKR PCB ASSY	RD3960A

RS2163**RMID 12-FDR M/B FRNT PNL(VU)**

Ident	Description	Part Number
---	AL29WF LIGHT BOX UNIT	JD0376
---	SIFAM AL29WF VU MTR BUFF SCALE	JD0386
---	RMID 12-FADER M/B FRONT PNL	PJ1591-02
---	TIMER DISP.WINDOW MOULDING GRY	PK2593-01
pcb ass	RMID DUAL VU DRIVER PCB ASSY	RB3471C
pcb ass	RMID TIMER PCB	RC3950
pcb ass	RMID MTR/SPKR PCB ASSY	RD3960A
pcb ass	RMID MTR/SPKR PCB ASSY	RD3960C

RS2165**RMID 12-FDR NST M/B(VU)**

Ident	Description	Part Number
---	AL29WF LIGHT BOX UNIT	JD0376

RS2219

---	SIFAM AL29WF VU MTR BUFF SCALE	JD0386
---	RM1D 12I/P NST MTR PNL	PJ1621-03
---	TIMER DISP.WINDOW MOULDING GRY	PK2593-01
pcb ass	RM1D DUAL VU DRIVER PCB ASSY	RB3471C
pcb ass	RM1D TIMER PCB	RC3950
pcb ass	RM1D MTR/SPKR PCB ASSY	RD3960A
pcb ass	RM1D MTR/SPKR PCB ASSY	RD3960C

RM1D MASTER REAR PNL ASSY(G3)

RS2245

Ident	Description	Part Number
---	RM1D 6I/P MASTER REAR PNL(G3)	PC1503-01
pcb ass	RM1D ADD ANALOGUE I/O PCB ASSY	RA4205
pcb ass	RM1D ANALOGUE MON O/P PCB ASSY	RA4206
pcb ass	RM1D H/PHN SUBCARD PCB ASSY	RA4207
pcb ass	RM1D CPU MASTER PCB ASSY	RA4208A
pcb ass	RM1D +5 VOLT REG.PCB ASSY	RC4184

RM1D I-6I/P REAR PNL ASSY(G3)

RS2247

Ident	Description	Part Number
---	RM1D 6I/P REAR PNL(G3)	PC1500-01
pcb ass	RM1D MIC I/P PCB ASSY	RA4202
pcb ass	RM1D ANALOGUE I/P PCB ASSY	RA4203
pcb ass	RM1D AES/SPDIF PCB ASSY	RB4204

RM1D 7-12I/P REAR PNL ASSY(G3)

RS2248

Ident	Description	Part Number
---	RM1D 12I/P REAR PNL(G3)	PC1501-01
pcb ass	RM1D MIC I/P PCB ASSY	RA4202
pcb ass	RM1D ANALOGUE I/P PCB ASSY	RA4203
pcb ass	RM1D AES/SPDIF PCB ASSY	RB4204

RM1D MASTER FRONT PNL ASSY(G3)

RS2250

Ident	Description	Part Number
---	DIGI 328 LENS CAP CIRCULAR	JD0387-01
---	GASKET LCD 2X16 CHAR.S XV02-	JZ10000
---	RM1D MAST PNL SCRNI SHIELD	PF0694-01
---	RM1D MAST MOD FRONT PNL(G3)	PJ1587-04
---	DIGI 328 W/CLEAR DISP.WINDOW	PK2565-01
pcb ass	RM1D MASTER SURFACE PCB ASSY	RG3947

RM1D MAST FRONT PNL+P&G ASSY(G

RS2250PG

Ident	Description	Part Number
---	DIGI 328 LENS CAP CIRCULAR	JD0387-01
---	GASKET LCD 2X16 CHAR.S XV02-	JZ10000
---	RM1D MAST PNL SCRNI SHIELD	PF0694-01
---	RM1D MAST MOD FRONT PNL(G3)	PJ1587-04
---	DIGI 328 W/CLEAR DISP.WINDOW	PK2565-01
pcb ass	RM1D MASTER SURFACE PCB ASSY	RG3947

RM1D INPUT FRONT PNL ASSY(G3)

RS2251

Ident	Description	Part Number
---	RM1D I/P FRNT PNL SCRNI SHIELD	PF0693-01
---	RM1D I/P MOD FRONT PNL	PJ1588-03
---	RM1D I/P LED INDICATOR MAT 2WY	PK2584-01
---	RM1D LED INDICATOR WINDOW 2WY	PK2587-01
---	RM1D LED INDICATOR FILTER	PZ2313
pcb ass	RM1D I/P SURFACE PCB ASSY	RE3946

RM1D I/P FRONT PNL+P&G ASSY(G3)

RS2251PG

Ident	Description	Part Number
---	RM1D I/P FRNT PNL SCRNI SHIELD	PF0693-01
---	RM1D I/P MOD FRONT PNL	PJ1588-03
---	RM1D I/P LED INDICATOR MAT 2WY	PK2584-01
---	RM1D LED INDICATOR WINDOW 2WY	PK2587-01
---	RM1D LED INDICATOR FILTER	PZ2313

pcb ass RMID I/P SURFACE PCB ASSY RE3946

RMIDS I/P PANEL ASSY

RS2253

Ident	Description	Part Number
---	RMID I/P FRNT PNL SCR N SHIELD	PF0693-01
---	RMIDS I/P FRONT PNL	PJ1636-02
---	RMID I/P LED INDICATOR MAT 2WY	PK2584-01
---	RMID LED INDCTR WINDOW 2WY(USA)	PK2607-01
---	RMID I/P KEYPAD(USA)	PK2610-01
---	RMID LED INDICATOR FILTER	PZ2313
pcb ass	RMIDS FDR PCB ASSY	RB4188

RMIDS MASTER PANEL ASSY

RS2254

Ident	Description	Part Number
---	DIGI 328 LENS CAP CIRCULAR	JD0387-01
---	GASKET LCD 2X16 CHAR.S XV02-	JZ10000
---	RMID MAST PNL SCR N SHIELD	PF0694-01
---	RMIDS MAST FRONT PNL	PJ1637-02
---	DIGI 328 W/CLEAR DISP.WINDOW	PK2565-01
pcb ass	RMIDS MASTER SURFACE PCB ASSY	RG3947-US

RMIDS 6-FADER VU M/B ASSY

RS2255

Ident	Description	Part Number
---	AL29WF LIGHT BOX UNIT	JD0376
---	SIFAM AL29WF VU MTR BUFF SCALE	JD0386
---	RMIDS 6-FADER M/B FRONT PNL	PJ1651-01
---	TIMER DISP.WINDOW MOULDING GRY	PK2593-01
pcb ass	RMID DUAL VU DRIVER PCB ASSY	RB3471C
pcb ass	RMID TIMER PCB	RC3950
pcb ass	RMID MTR/SPKR PCB ASSY	RD3960A

RMIDS 12-FADER VU M/B ASSY

RS2261

Ident	Description	Part Number
---	AL29WF LIGHT BOX UNIT	JD0376
---	SIFAM AL29WF VU MTR BUFF SCALE	JD0386
---	RMIDS 12I/P NST MTR PNL	PJ1648-01
---	TIMER DISP.WINDOW MOULDING GRY	PK2593-01
pcb ass	RMID DUAL VU DRIVER PCB ASSY	RB3471C
pcb ass	RMID TIMER PCB	RC3950
pcb ass	RMID MTR/SPKR PCB ASSY	RD3960A
pcb ass	RMID MTR/SPKR PCB ASSY	RD3960C

RMIDS 12FDR+ST VU M/B ASSY

RS2267

Ident	Description	Part Number
---	AL29WF LIGHT BOX UNIT	JD0376
---	SIFAM AL29WF VU MTR BUFF SCALE	JD0386
---	RMIDS 12-FADER M/B FRONT PNL	PJ1646-01
---	TIMER DISP.WINDOW MOULDING GRY	PK2593-01
pcb ass	RMID DUAL VU DRIVER PCB ASSY	RB3471C
pcb ass	RMID TIMER PCB	RC3950
pcb ass	RMID MTR/SPKR PCB ASSY	RD3960A
pcb ass	RMID MTR/SPKR PCB ASSY	RD3960C

RMID 12-FADER NST FRM ASSY

RT2061

Ident	Description	Part Number
---	RMID 12I/P A/REST EXTRU NST	PE1707-01
---	RMID 12I/P CHASSIS NO SCRIPT	PH1526-02
---	RMID 12I/P MTR POD NO SCRIPT	PH1527-02
---	RMID SIDE TRIM LH	PM1555-01
---	RMID SIDE TRIM RH	PM1556-01
---	RMID METERPOD TRIM LH	PM1557-01
---	RMID METERPOD TRIM RH	PM1558-01

RMID 6-FADER MECH FRM(G3)

RT2069

Ident	Description	Part Number
-------	-------------	-------------

---	RMID 6I/P ARMREST EXTRU	PE1697-01
---	RMID 6I/P CHASSIS ASSY	PH1501-02
---	RMID 6I/P METERPOD ASSY	PH1503-02
---	RMID SIDE TRIM LH	PM1555-01
---	RMID SIDE TRIM RH	PM1556-01
---	RMID METERPOD TRIM LH	PM1557-01
---	RMID METERPOD TRIM RH	PM1558-01

RMID 12-FDR W/SCRPT MECH FRM(G)

RT2070

Ident	Description	Part Number
---	RMID 12I/P ARMREST EXTRU F/I P	PE1699-01
---	RMID 12I/P CHASSIS ASSY	PH1502-03
---	RMID 12I/P METERPOD ASSY	PH1504-02
---	RMID SIDE TRIM LH	PM1555-01
---	RMID SIDE TRIM RH	PM1556-01
---	RMID METERPOD TRIM LH	PM1557-01
---	RMID METERPOD TRIM RH	PM1558-01

RMID SOFTWARE DOWNLOAD CBL

RV4117

Ident	Description	Part Number

RMID 6-FADER FRM CNSL TSTD(G3)

RY5660

Ident	Description	Part Number
---	(Safety Critical Part)! SERIAL NO/FRAGILE LBL SET"CE"	ZA8014
---	RMID USER GUIDE	ZM0235

RMID 6-FDR W/SCRPT CNSL TSTD(G)

RY5661

Ident	Description	Part Number
---	(Safety Critical Part)! SERIAL NO/FRAGILE LBL SET"CE"	ZA8014
---	RMID USER GUIDE	ZM0235

RMID 12-FDR NST CNSL TSTD(G3)

RY5662

Ident	Description	Part Number
---	(Safety Critical Part)! SERIAL NO/FRAGILE LBL SET"CE"	ZA8014
---	RMID USER GUIDE	ZM0235

WIREFORMS USED IN THE FRAMES

Description	Part Number	Used in: (part number)
IDC 10WY 460MM RIBBON CBL ASSY	RV3500-10-460	RS2163, RS2165, RS2219, RS2255, RS2261, RS2267
IDC 10WY 780MM RIBBON CBL ASSY	RV3500-10-780	RS2165, RS2219, RS2261, RS2267
IDC 16WY 400MM RIBBON CBL ASSY	RV3500-16-400	RR1258, RR1259, RR1260
IDC 16WY 800MM RIBBON CBL ASSY	RV3500-16-800	RR1259, RR1260
IDC 34WY 400MM RIBBON CBL ASSY	RV3501-34-400	RR1260
IDC 34WY 625MM RIBBON CBL ASSY	RV3501-34-625	RR1259
RMID FADER WFM	RV4040-165	RS2250, RS2251
RMID 12FDR NST LINK WFM	RV4072-400	RR1260
RMID 12FR BACKPLANE LINK WFM	RV4072-600	RR1259
RMID SPEAKER TO MON. WFM	RV4093	RS2163, RS2165, RS2219, RS2255, RS2261, RS2267
RMID METER WFM	RV4094	RS2163, RS2255
RMID P&G FADER WFM	RV4122	RS2250PG, RS2251PG
RMID METER WFM(12I/P)	RV4123	RS2165, RS2219, RS2261, RS2267
RMID PWR I/P+FILTER+REG WFM(G3)	RV4177	RS2245
RMID H/PHNS WFM (G3)	RV4178-500	RS2250, RS2250PG, RS2254
RMIDS FADER WFM	RV4182	RS2254
RMID 18WY PSU LEAD	RV8002	RY5660, RY5661, RY5662

SWITCH TOPS, FADER TOPS AND KNOBS

Description	Part Number	Used in (part number)
02LK 111 01 FDR CAP BLU SIF	KAA000F	RS2254
02LK 111 01 RED FADER CAP SIF	KAA002F	RS2254
BROADWAY ENCODER KNOB	KA0296	RS2250, RS2250PG, RS2254
BROADWAY STYLE KA0296 W/PNTR	KA0366	RS2163, RS2165, RS2219, RS2250, RS2250PG, RS2254, RS2255, RS2261, RS2267
DARK GRY FADER KNOB SIFAM 02/L	KAA001F	RS2253
L/PRF 2-PRT FDR KNOB-GREY/6	KA0230-01	RS2250, RS2250PG, RS2251, RS2251PG

FADERS

Description	Part Number	Used in: (part number)
100MM MNO LIN F8 I 10/D/M-A FLY	DD0453	RV4122
ALPS 100MM K-FDR 10KB(LINEAR)	DD0457	RV4040-165
PAN 100MM FDR 10K LIN	DD0465	RB4188, RV4182

MODULES AND FRAME PCBS

RMID MIC I/P PCB ASSY

RA4202

Ident	Description	Part Number
C2	VERT ELEC 10U 63V 105DEG	CE0516
C3	VERT ELEC 47U 25V 105DEG	CE0519
C4	VERT ELEC 47U 25V 105DEG	CE0519
C6	VERT ELEC 10U 63V 105DEG	CE0516
C7	VERT ELEC 47U 25V 105DEG	CE0519
C8	VERT ELEC 10U 63V 105DEG	CE0516
C9	VERT ELEC 10U 63V 105DEG	CE0516
C22	NON-POL 25V 105DEG C 220UF	CE0513
C23	NON-POL 25V 105DEG C 220UF	CE0513
C24	NON-POL 25V 105DEG C 220UF	CE0513
C25	NON-POL 25V 105DEG C 220UF	CE0513
C40	VERT ELEC 10U 63V 105DEG	CE0516
C41	VERT ELEC 47U 25V 105DEG	CE0519
C42	VERT ELEC 47U 25V 105DEG	CE0519
C46	VERT ELEC 10U 63V 105DEG	CE0516
C47	VERT ELEC 47U 25V 105DEG	CE0519
C52	VERT ELEC 10U 63V 105DEG	CE0516
C53	VERT ELEC 47U 25V 105DEG	CE0519
C65	VERT ELEC 47U 25V 105DEG	CE0519
C66	VERT ELEC 10U 63V 105DEG	CE0516
C67	VERT ELEC 47U 25V 105DEG	CE0519
C68	VERT ELEC 47U 25V 105DEG	CE0519
C80	VERT ELEC 47U 25V 105DEG	CE0519
C81	NON-POL 25V 105DEG C 100UF	CE0514
C82	NON-POL 25V 105DEG C 100UF	CE0514
CN1	DIN41612 62+2 WAY ML R/A AB-50	FF0981
CN4	25WY D-TYPE R/A FML S+B LOCKS	FB0178
D1	DIODE 1N4001	BA0005
D2	DIODE 1N4001	BA0005
D3	DIODE 1N4001	BA0005
FR1	(Safety Critical Part)! MF 0.33W RES 5% 4R7 FUSIBLE	AD8002
FR2	(Safety Critical Part)! MF 0.33W RES 5% 1R FUSIBLE	AD8001
FR3	(Safety Critical Part)! MF 0.33W RES 5% 4R7 FUSIBLE	AD8002
FR4	(Safety Critical Part)! MF 0.33W RES 5% 4R7 FUSIBLE	AD8002
FR6	(Safety Critical Part)! MF 0.33W RES 5% 1R FUSIBLE	AD8001
J1	HONDA .1" 2WY SIL HDR (GOLD)	FF0613
J2	HONDA .1" 2WY SIL HDR (GOLD)	FF0613
JK1	SLIMJACK METAL NOSE GOLD PIN	FH0790
JK2	SLIMJACK METAL NOSE GOLD PIN	FH0790
JK3	SLIMJACK METAL NOSE GOLD PIN	FH0790
JK4	SLIMJACK METAL NOSE GOLD PIN	FH0790
REG1	BE0537 W/9945 DATE OR LATER	BE0545
RL1	RELAY 4PIN SIL 5V	DZ2236
RL2	RELAY 4PIN SIL 5V	DZ2236
RL3	RELAY 4PIN SIL 5V	DZ2236
RL4	RELAY 4PIN SIL 5V	DZ2236
RL5	RELAY 4PIN SIL 5V	DZ2236
RL6	RELAY 4PIN SIL 5V	DZ2236
RL7	RELAY 4PIN SIL 5V	DZ2236
RL8	RELAY 4PIN SIL 5V	DZ2236
RL9	RELAY 4PIN SIL 5V	DZ2236
RL10	RELAY 4PIN SIL 5V	DZ2236
RL11	RELAY 4PIN SIL 5V	DZ2236
RL12	RELAY 4PIN SIL 5V	DZ2236
TR3	RFD14N05 MOSFET N-CHANNEL	BD0416
TR4	RFD14N05 MOSFET N-CHANNEL	BD0416
TR9	RFD14N05 MOSFET N-CHANNEL	BD0416
TR10	RFD14N05 MOSFET N-CHANNEL	BD0416
TR13	RFD14N05 MOSFET N-CHANNEL	BD0416
TR14	RFD14N05 MOSFET N-CHANNEL	BD0416
TR15	RFD14N05 MOSFET N-CHANNEL	BD0416
TR16	RFD14N05 MOSFET N-CHANNEL	BD0416
TR17	RFD14N05 MOSFET N-CHANNEL	BD0416
TR18	RFD14N05 MOSFET N-CHANNEL	BD0416
XLR1	XLR CON FML R/A CHAS PIN MTL	FK0986

pcb ass RMID MIC I/P PCB SM ASSY RA4202A-SM

RMID ANALOGUE I/P PCB ASSY

RA4203

Ident	Description	Part Number
C3	VERT ELEC 10U 63V 105DEG	CE0516
C4	VERT ELEC 10U 63V 105DEG	CE0516
C6	VERT ELEC 47U 25V 105DEG	CE0519
C7	VERT ELEC 47U 25V 105DEG	CE0519
C11	VERT ELEC 47U 25V 105DEG	CE0519
C15	VERT ELEC 47U 25V 105DEG	CE0519
C28	VERT ELEC 47U 25V 105DEG	CE0519
C34	VERT ELEC 10U 63V 105DEG	CE0516
C36	VERT ELEC 10U 63V 105DEG	CE0516
C38	VERT ELEC 47U 25V 105DEG	CE0519
C39	VERT ELEC 47U 25V 105DEG	CE0519
C43	VERT ELEC 47U 25V 105DEG	CE0519
C46	VERT ELEC 47U 25V 105DEG	CE0519
C50	VERT ELEC 47U 25V 105DEG	CE0519
C51	VERT ELEC 10U 63V 105DEG	CE0516
C59	VERT ELEC 47U 25V 105DEG	CE0519
C60	VERT ELEC 47U 25V 105DEG	CE0519
C63	VERT ELEC 47U 25V 105DEG	CE0519
C70	VERT ELEC 47U 25V 105DEG	CE0519
C75	VERT ELEC 10U 63V 105DEG	CE0516
C76	VERT ELEC 10U 63V 105DEG	CE0516
C78	VERT ELEC 47U 25V 105DEG	CE0519
C79	VERT ELEC 47U 25V 105DEG	CE0519
C82	VERT ELEC 47U 25V 105DEG	CE0519
C85	VERT ELEC 10U 63V 105DEG	CE0516
C90	VERT ELEC 47U 25V 105DEG	CE0519
C95	VERT ELEC 10U 63V 105DEG	CE0516
C103	VERT ELEC 47U 25V 105DEG	CE0519
C104	VERT ELEC 47U 25V 105DEG	CE0519
C107	VERT ELEC 47U 25V 105DEG	CE0519
C114	VERT ELEC 47U 25V 105DEG	CE0519
C119	VERT ELEC 10U 63V 105DEG	CE0516
C120	VERT ELEC 10U 63V 105DEG	CE0516
C122	VERT ELEC 47U 25V 105DEG	CE0519
C123	VERT ELEC 47U 25V 105DEG	CE0519
C126	VERT ELEC 47U 25V 105DEG	CE0519
C129	VERT ELEC 10U 63V 105DEG	CE0516
C134	VERT ELEC 47U 25V 105DEG	CE0519
C139	VERT ELEC 10U 63V 105DEG	CE0516
C147	VERT ELEC 47U 25V 105DEG	CE0519
C148	VERT ELEC 47U 25V 105DEG	CE0519
C151	VERT ELEC 47U 25V 105DEG	CE0519
C158	VERT ELEC 47U 25V 105DEG	CE0519
C163	VERT ELEC 10U 63V 105DEG	CE0516
C164	VERT ELEC 10U 63V 105DEG	CE0516
C166	VERT ELEC 47U 25V 105DEG	CE0519
C167	VERT ELEC 47U 25V 105DEG	CE0519
C170	VERT ELEC 47U 25V 105DEG	CE0519
C173	VERT ELEC 10U 63V 105DEG	CE0516
C178	VERT ELEC 47U 25V 105DEG	CE0519
C183	VERT ELEC 47U 25V 105DEG	CE0519
C186	VERT ELEC 47U 25V 105DEG	CE0519
C210	VERT ELEC 47U 25V 105DEG	CE0519
C211	VERT ELEC 47U 25V 105DEG	CE0519
C234	VERT ELEC 47U 25V 105DEG	CE0519
C235	VERT ELEC 47U 25V 105DEG	CE0519
CN1	DIN41612 62+2 WAY ML R/A AB-50	FF0981
CN4	34WY 0.1" 34.94MM PCB STACKING	FF1001
CN6	34WY 0.1" 34.94MM PCB STACKING	FF1001
D1	DIODE 1N4001	BA0005
D3	DIODE 1N4001	BA0005
D4	DIODE 1N4001	BA0005
J1	HONDA .1" 2WY SIL HDR (GOLD)	FF0613
J2	HONDA .1" 2WY SIL HDR (GOLD)	FF0613
R182	MF 0.25W RES 1% 4R7 BL	AP1293
R183	MF 0.25W RES 1% 4R7 BL	AP1293
R184	MF 0.25W RES 1% 4R7 BL	AP1293
REG2	BE0537 W/9945 DATE OR LATER	BE0545

REG2	POWER STATION DRIVER HEATSINK	PN1241
REG2	DRIVER MOUNTING CLIP	ZC0231
XLR1	XLR CON FML R/A CHAS PIN MTL	FK0986
XLR2	XLR CON FML R/A CHAS PIN MTL	FK0986
XLR3	XLR CON FML R/A CHAS PIN MTL	FK0986
XLR4	XLR CON FML R/A CHAS PIN MTL	FK0986
XLR5	XLR CON FML R/A CHAS PIN MTL	FK0986
XLR6	XLR CON FML R/A CHAS PIN MTL	FK0986
XLR7	XLR CON FML R/A CHAS PIN MTL	FK0986
XLR8	XLR CON FML R/A CHAS PIN MTL	FK0986
pcb ass	RMID ANALOGUE I/P PCB SM ASSY	RA4203A-SM

RMID ADD ANALOGUE I/O PCB ASSY

RA4205

Ident	Description	Part Number
C17	VERT ELEC 47U 25V 105DEG	CE0519
C18	VERT ELEC 47U 25V 105DEG	CE0519
C20	MICRO-BOX 5MM 10%50V IMF	CC0262
C22	VERT ELEC 47U 25V 105DEG	CE0519
C23	MICRO-BOX 5MM 10%50V IMF	CC0262
C24	VERT ELEC 47U 25V 105DEG	CE0519
C25	MICRO-BOX 5MM 10%50V IMF	CC0262
C26	MICRO-BOX 5MM 10%50V IMF	CC0262
C27	NON-POL 25V 105DEG C 220UF	CE0513
C28	NON-POL 25V 105DEG C 220UF	CE0513
C29	NON-POL 25V 105DEG C 220UF	CE0513
C30	NON-POL 25V 105DEG C 220UF	CE0513
C31	VERT ELEC 47U 25V 105DEG	CE0519
C32	VERT ELEC 47U 25V 105DEG	CE0519
C35	VERT ELEC 47U 25V 105DEG	CE0519
C36	VERT ELEC 47U 25V 105DEG	CE0519
C41	VERT ELEC 47U 25V 105DEG	CE0519
C42	VERT ELEC 47U 25V 105DEG	CE0519
C76	VERT ELEC 47U 25V 105DEG	CE0519
C77	VERT ELEC 47U 25V 105DEG	CE0519
C78	MICRO-BOX 5MM 10%50V IMF	CC0262
C79	MICRO-BOX 5MM 10%50V IMF	CC0262
C80	MICRO-BOX 5MM 10%50V IMF	CC0262
C81	MICRO-BOX 5MM 10%50V IMF	CC0262
C82	NON-POL 25V 105DEG C 220UF	CE0513
C83	NON-POL 25V 105DEG C 220UF	CE0513
C89	NON-POL 25V 105DEG C 220UF	CE0513
C90	NON-POL 25V 105DEG C 220UF	CE0513
C91	VERT ELEC 47U 25V 105DEG	CE0519
C92	VERT ELEC 47U 25V 105DEG	CE0519
C95	VERT ELEC 47U 25V 105DEG	CE0519
C96	VERT ELEC 47U 25V 105DEG	CE0519
C101	VERT ELEC 47U 25V 105DEG	CE0519
C102	VERT ELEC 47U 25V 105DEG	CE0519
C125	VERT ELEC 47U 25V 105DEG	CE0519
C126	VERT ELEC 47U 25V 105DEG	CE0519
C128	MICRO-BOX 5MM 10%50V IMF	CC0262
C129	MICRO-BOX 5MM 10%50V IMF	CC0262
C130	MICRO-BOX 5MM 10%50V IMF	CC0262
C131	MICRO-BOX 5MM 10%50V IMF	CC0262
C132	NON-POL 25V 105DEG C 220UF	CE0513
C133	NON-POL 25V 105DEG C 220UF	CE0513
C134	NON-POL 25V 105DEG C 220UF	CE0513
C135	NON-POL 25V 105DEG C 220UF	CE0513
C136	VERT ELEC 47U 25V 105DEG	CE0519
C137	VERT ELEC 47U 25V 105DEG	CE0519
C140	VERT ELEC 47U 25V 105DEG	CE0519
C141	VERT ELEC 47U 25V 105DEG	CE0519
C146	VERT ELEC 47U 25V 105DEG	CE0519
C147	VERT ELEC 47U 25V 105DEG	CE0519
C163	VERT ELEC 47U 25V 105DEG	CE0519
C164	VERT ELEC 47U 25V 105DEG	CE0519
C165	MICRO-BOX 5MM 10%50V IMF	CC0262
C166	MICRO-BOX 5MM 10%50V IMF	CC0262
C167	MICRO-BOX 5MM 10%50V IMF	CC0262
C168	MICRO-BOX 5MM 10%50V IMF	CC0262
C169	NON-POL 25V 105DEG C 220UF	CE0513
C170	NON-POL 25V 105DEG C 220UF	CE0513

C171	NON-POL 25V 105DEG C 220UF	CE0513
C172	NON-POL 25V 105DEG C 220UF	CE0513
C173	VERT ELEC 47U 25V 105DEG	CE0519
C174	VERT ELEC 47U 25V 105DEG	CE0519
C177	VERT ELEC 47U 25V 105DEG	CE0519
C178	VERT ELEC 47U 25V 105DEG	CE0519
C183	VERT ELEC 47U 25V 105DEG	CE0519
C184	VERT ELEC 47U 25V 105DEG	CE0519
C208	VERT ELEC 47U 25V 105DEG	CE0519
CN1	DIN41612 62+2 WAY ML R/A AB-50	FF0981
CN2	15WY D-TYPE FML R/A S+B LOCKS	FB0177
CN3	37WY D-TYPE R/A FML S+B LCKS	FB0174
D6	DIODE 1N4001	BA0005
FR1	(Safety Critical Part)! MF 0.33W RES 5% 1R FUSIBLE	AD8001
FR4	(Safety Critical Part)! MF 0.33W RES 5% 1R FUSIBLE	AD8001
FR5	(Safety Critical Part)! MF 0.33W RES 5% 1R FUSIBLE	AD8001
J1	HONDA .1" 2WY SIL HDR (GOLD)	FF0613
J2	HONDA .1" 2WY SIL HDR (GOLD)	FF0613
REG2	BE0537 W/9945 DATE OR LATER	BE0545
REG2	POWER STATION DRIVER HEATSINK	PN1241
REG2	DRIVER MOUNTING CLIP	ZC0231
RL1	RELAY 4PIN SIL 5V	DZ2236
RL2	RELAY 4PIN SIL 5V	DZ2236
RL3	RELAY 4PIN SIL 5V	DZ2236
RL4	RELAY 4PIN SIL 5V	DZ2236
pcb ass	RMID ADD ANALOGUE I/O SM ASSY	RA4205A-SM

RMID ANALOGUE MON O/P PCB ASSY

RA4206

Ident	Description	Part Number
C1	NON-POL 25V 105DEG C 220UF	CE0513
C2	NON-POL 25V 105DEG C 220UF	CE0513
C3	VERT ELEC 47U 25V 105DEG	CE0519
C4	NON-POL 25V 105DEG C 220UF	CE0513
C5	NON-POL 25V 105DEG C 220UF	CE0513
C6	VERT ELEC 47U 25V 105DEG	CE0519
C7	NON-POL 25V 105DEG C 220UF	CE0513
C8	NON-POL 25V 105DEG C 220UF	CE0513
C9	VERT ELEC 47U 25V 105DEG	CE0519
C10	NON-POL 25V 105DEG C 220UF	CE0513
C11	NON-POL 25V 105DEG C 220UF	CE0513
C12	VERT ELEC 47U 25V 105DEG	CE0519
C13	NON-POL 25V 105DEG C 220UF	CE0513
C14	NON-POL 25V 105DEG C 220UF	CE0513
C15	NON-POL 25V 105DEG C 220UF	CE0513
C16	NON-POL 25V 105DEG C 220UF	CE0513
C17	VERT ELEC 47U 25V 105DEG	CE0519
C19	NON-POL 25V 105DEG C 220UF	CE0513
C20	NON-POL 25V 105DEG C 220UF	CE0513
C22	VERT ELEC 47U 25V 105DEG	CE0519
C24	VERT ELEC 47U 25V 105DEG	CE0519
C55	VERT ELEC 47U 25V 105DEG	CE0519
C123	MICRO-BOX 5MM 10%50V IMF	CC0262
C124	MICRO-BOX 5MM 10%50V IMF	CC0262
C125	MICRO-BOX 5MM 10%50V IMF	CC0262
C126	MICRO-BOX 5MM 10%50V IMF	CC0262
C127	MICRO-BOX 5MM 10%50V IMF	CC0262
C128	MICRO-BOX 5MM 10%50V IMF	CC0262
C129	MICRO-BOX 5MM 10%50V IMF	CC0262
C130	MICRO-BOX 5MM 10%50V IMF	CC0262
C131	MICRO-BOX 5MM 10%50V IMF	CC0262
C132	MICRO-BOX 5MM 10%50V IMF	CC0262
CN1	DIN41612 62+2 WAY ML R/A AB-50	FF0981
CN2	26WY 0.1" 16MM PCB STACKING	FF1000
D2	DIODE 1N4001	BA0005
D3	DIODE 1N4001	BA0005
D4	DIODE 1N4001	BA0005
FR3	(Safety Critical Part)! MF 0.33W RES 5% 1R FUSIBLE	AD8001
FR5	(Safety Critical Part)! MF 0.33W RES 5% 1R FUSIBLE	AD8001
FR8	(Safety Critical Part)! MF 0.33W RES 5% 1R FUSIBLE	AD8001
J1	HONDA .1" 2WY SIL HDR (GOLD)	FF0613
J2	HONDA .1" 2WY SIL HDR (GOLD)	FF0613
JK1	SLIMJACK METAL NOSE GOLD PIN	FH0790

JK2	SLIMJACK METAL NOSE GOLD PIN	FH0790
JK3	SLIMJACK METAL NOSE GOLD PIN	FH0790
REG1or2	POWER STATION DRIVER HEATSINK	PN1241
REG1or2	DRIVER MOUNTING CLIP	ZC0231
REG2	BE0537 W/9945 DATE OR LATER	BE0545
XLR1	XLR CON ML R/A CHAS PIN MTL	FK0987
XLR2	XLR CON ML R/A CHAS PIN MTL	FK0987
XLR3	XLR CON ML R/A CHAS PIN MTL	FK0987
XLR4	XLR CON ML R/A CHAS PIN MTL	FK0987
pcb ass	RMID ANALOGUE MO/P PCB SM ASSY	RA4206A-SM

RMID H/PHN SUBCARD PCB ASSY

RA4207

Ident	Description	Part Number
C46	NON-POL 25V 105DEG C 220UF	CE0513
C47	NON-POL 25V 105DEG C 220UF	CE0513
C48	NON-POL 25V 105DEG C 220UF	CE0513
C49	NON-POL 25V 105DEG C 220UF	CE0513
C50	NON-POL 25V 105DEG C 220UF	CE0513
C51	NON-POL 25V 105DEG C 220UF	CE0513
C74	VERT ELEC 47U 25V 105DEG	CE0519
C75	VERT ELEC 47U 25V 105DEG	CE0519
C76	VERT ELEC 220U 35V 105DEG	CE0518
C77	VERT ELEC 220U 35V 105DEG	CE0518
C78	VERT ELEC 220U 35V 105DEG	CE0518
C79	VERT ELEC 220U 35V 105DEG	CE0518
C80	VERT ELEC 220U 35V 105DEG	CE0518
C81	VERT ELEC 220U 35V 105DEG	CE0518
FR91	(Safety Critical Part)! MF 0.33W RES 5% 1R FUSIBLE	AD8001
FR92	(Safety Critical Part)! MF 0.33W RES 5% 1R FUSIBLE	AD8001
FR93	(Safety Critical Part)! MF 0.33W RES 5% 1R FUSIBLE	AD8001
FR94	(Safety Critical Part)! MF 0.33W RES 5% 1R FUSIBLE	AD8001
J1	HONDA .1" 2WY SIL HDR (GOLD)	FF0613
JK1	SLIMJACK METAL NOSE GOLD PIN	FH0790
JK2	SLIMJACK METAL NOSE GOLD PIN	FH0790
JK3	SLIMJACK METAL NOSE GOLD PIN	FH0790
R61	CF 0.5W RES 5% 82R	AF0523
R62	CF 0.5W RES 5% 82R	AF0523
R63	CF 0.5W RES 5% 82R	AF0523
R64	CF 0.5W RES 5% 82R	AF0523
R65	CF 0.5W RES 5% 82R	AF0523
R66	CF 0.5W RES 5% 82R	AF0523
R98	RES MF 10R 2% 0.25W RADIAL	AV0001
R99	RES MF 10R 2% 0.25W RADIAL	AV0001
R102	RES MF 10R 2% 0.25W RADIAL	AV0001
R103	RES MF 10R 2% 0.25W RADIAL	AV0001
R106	RES MF 10R 2% 0.25W RADIAL	AV0001
R107	RES MF 10R 2% 0.25W RADIAL	AV0001
TR1	NPN TRANS 2SC2240BL(TAPED)	BD0302
TR2	NPN TRANS 2SC2240BL(TAPED)	BD0302
TR3	NPN TRANS 2SC2240BL(TAPED)	BD0302
TR4	NPN TRANS 2SC2240BL(TAPED)	BD0302
TR5	NPN TRANS 2SC2240BL(TAPED)	BD0302
TR6	NPN TRANS 2SC2240BL(TAPED)	BD0302
TR7	NPN TRANS 2SC2240BL(TAPED)	BD0302
TR8	NPN TRANS 2SC2240BL(TAPED)	BD0302
TR9	NPN TRANS 2SC2240BL(TAPED)	BD0302
TR10	NPN TRANS 2SC2240BL(TAPED)	BD0302
TR11	NPN TRANS 2SC2240BL(TAPED)	BD0302
TR12	NPN TRANS 2SC2240BL(TAPED)	BD0302
TR13	PNP TRANS 2SA970GR (TAPED)TOSH	BD0301
TR14	PNP TRANS 2SA970GR (TAPED)TOSH	BD0301
TR15	PNP TRANS 2SA970GR (TAPED)TOSH	BD0301
TR16	PNP TRANS 2SA970GR (TAPED)TOSH	BD0301
TR17	PNP TRANS 2SA970GR (TAPED)TOSH	BD0301
TR18	PNP TRANS 2SA970GR (TAPED)TOSH	BD0301
TR19	PNP TRANS 2SA970GR (TAPED)TOSH	BD0301
TR20	PNP TRANS 2SA970GR (TAPED)TOSH	BD0301
TR21	PNP TRANS 2SA970GR (TAPED)TOSH	BD0301
TR22	PNP TRANS 2SA970GR (TAPED)TOSH	BD0301
TR23	PNP TRANS 2SA970GR (TAPED)TOSH	BD0301
TR24	PNP TRANS 2SA970GR (TAPED)TOSH	BD0301
pcb ass	RMID H/PHN SUBCARD PCB SM ASSY	RA4207A-SM

RMID CPU MASTER PCB ASSY

Ident	Description	Part Number
---	RMID PROGRAM ASSY	RX3052-3.00
C1	VERT ELEC 330U 6.3V 105DEG	CE0517
C4	VERT ELEC 330U 6.3V 105DEG	CE0517
C5	VERT ELEC 330U 6.3V 105DEG	CE0517
C69	VERT ELEC 330U 6.3V 105DEG	CE0517
C70	VERT ELEC 330U 6.3V 105DEG	CE0517
C71	VERT ELEC 330U 6.3V 105DEG	CE0517
C74	VERT ELEC 330U 6.3V 105DEG	CE0517
CN1	BNC SCREENED PCB SKT LOW PROF	FZ2265
CN2	BNC SCREENED PCB SKT LOW PROF	FZ2265
CN3	26WY H-DENS D-TYP R/A FML SCRL	FB0160
CN4	DIN SKT SCR 5PIN/180 PC MNG	FF0994
CN5	DIN SKT SCR 5PIN/180 PC MNG	FF0994
CN6	T&B CON IDC 10WY LW PRF VRT ML	FA0067
CN7	MTHD 3WY .1" ML LCKG PLRSD HDR	FF0627
CN9	MINI-FIT 14WY R/A HDR	FF0971
CN10	FFC 11WY R/A 1.25 FML HDR	FF0823
CN11	FFC 11WY R/A 1.25 FML HDR	FF0823
CN12	FFC 11WY R/A 1.25 FML HDR	FF0823
CN13	96WY ABC R/A ML DIN CONNECTOR	FF0712
CN14	DIN CON 32WY R/A A/C ML	FF0680
CN1005	FFC 11WY R/A 1.25 FML HDR	FF0823
CN1006	9WY D-TYPE R/A FML S+B ;CKS	FB0179
CN1007	FFC 11WY R/A 1.25 FML HDR	FF0823
CN1008	25WY D-TYPE R/A FML S+B LOCKS	FB0178
CN1011	FFC 11WY R/A 1.25 FML HDR	FF0823
J1	HONDA .1" 2WY SIL HDR (GOLD)	FF0613
J2	HONDA .1" 2WY SIL HDR (GOLD)	FF0613
J8	HONDA .1" 2WY SIL HDR (GOLD)	FF0613
J9	HONDA .1" 2WY SIL HDR (GOLD)	FF0613
J10	HONDA .1" 2WY SIL HDR (GOLD)	FF0613
LED1	LED GREEN 3MM S/B SHORT-MD5543	JA0104
SW1	KBRD SWT SPST N/O VERT PCB MNT	DF0599
TX1	AES/EBU TX PE65612	HA0037
XL2	12.288MHZ OSC MODULE 10PPM	ZE0426
XL3	11.2896MHZ OSC MODULE 10PPM	ZE0425
XLR1	XLR CON FML R/A CHAS PIN MTL	FK0986
pcb ass	RMID CPU MASTER PCB SM ASSY	RA4208A-SM

RA4208A

RMID MAST BACKPLANE PCB A

Ident	Description	Part Number
CN1	MTHD 3WY .1" ML LCKG PLRSD HDR	FF0627
CN7	T&B CON IDC 10WY LW PRF VRT ML	FA0067
CN8	DIMM 168WY UNBV 3.3V J1.27MM	FF0974
CN9	DIMM 168WY UNBV 3.3V J1.27MM	FF0974
CN11	MTHD 8WY .1" ML LCKNG PLRSD HDR	FF0569
CN12	T&B CON IDC 16WY LW PRF VRT ML	FA0068
CN13	T&B CON IDC 16WY LW PRF VRT ML	FA0068
CN14	SIMM 30WY VRT SKT METAL LATCH	FF0983
CN17	DIN41612 PRESSFIT ABC 96WY FML	FP0096F-ABC-50
CN18	DIN41612 PRESSFIT A+C 48WY FML	FP0048F-AC-50
CN21	DIN41612 PRESSFIT AB 64WY FML	FP0064F-AB-50
CN22	DIN41612 PRESSFIT AB 64WY FML	FP0064F-AB-50
CN23	DIN41612 PRESSFIT AB 64WY FML	FP0064F-AB-50
CN24	DIN41612 PRESSFIT AB 64WY FML	FP0064F-AB-50
CN25	DIN41612 PRESSFIT AB 64WY FML	FP0064F-AB-50
pcb ass	RMID MAST BACKPLANE SM AS	RA4209A-SM

RA4209A

RMID I2FDR MST B/PLANE PC

Ident	Description	Part Number
CN1	MTHD 3WY .1" ML LCKG PLRSD HDR	FF0627
CN6	MTHD 8WY .1" ML LCKNG PLRSD HDR	FF0569
CN7	T&B CON IDC 10WY LW PRF VRT ML	FA0067
CN8	DIMM 168WY UNBV 3.3V J1.27MM	FF0974
CN9	DIMM 168WY UNBV 3.3V J1.27MM	FF0974
CN10	DIMM 168WY UNBV 3.3V J1.27MM	FF0974
CN11	MTHD 8WY .1" ML LCKNG PLRSD HDR	FF0569
CN12	T&B CON IDC 16WY LW PRF VRT ML	FA0068

RA4209B

CN13	T&B CON IDC 16WY LW PRF VRT ML	FA0068
CN14	SIMM 30WY VRT SKT METAL LATCH	FF0983
CN15	IDC 34WY LW PRFL VERT ML HDR	FA0087
CN16	IDC 34WY LW PRFL VERT ML HDR	FA0087
CN17	DIN41612 PRESSFIT ABC 96WY FML	FP0096F-ABC-50
CN18	DIN41612 PRESSFIT A+C 48WY FML	FP0048F-AC-50
CN19	MTHD 8WY.1" ML LCKNG PLRSD HDR	FF0569
CN21	DIN41612 PRESSFIT AB 64WY FML	FP0064F-AB-50
CN22	DIN41612 PRESSFIT AB 64WY FML	FP0064F-AB-50
CN23	DIN41612 PRESSFIT AB 64WY FML	FP0064F-AB-50
CN24	DIN41612 PRESSFIT AB 64WY FML	FP0064F-AB-50
CN25	DIN41612 PRESSFIT AB 64WY FML	FP0064F-AB-50
pcb ass	RMID MAST BACKPLANE SM AS	RA4209A-SM

RMID LEXI-MOD PCB ASSY(G3)

RA4212

Ident	Description	Part Number
pcb ass	RMID LEXI-MOD PCB SM ASSY(G3)	RA4212A-SM

RMID DUAL VU DRIVER PCB ASSY

RB3471C

Ident	Description	Part Number
'A'	RES MF 10R 2% 0.25W RADIAL	AV0001
pcb	RM100 VU DRV&DIST PCB	SC3471-02
C1	POLY-CAP 5MM 5% 63V 100N	CC0252
C2	POLY-CAP 5MM 5% 63V 100N	CC0252
C3	C/CAP 0.2" PRFRM TPD 100V 22PF	CA0004
C4	C/CAP 0.2" PRFRM TPD 100V 22PF	CA0004
C5	VERT ELEC 0.2"TPD 47UF 25V SKP	CE0401
C6	VERT ELEC 0.2"TPD 47UF 25V SKP	CE0401
CN5	MTHD .1" 6WY VERT LCKG ML HDR	FF0649
IC1	JRC DUAL OP AMP 072BDE	BE0413
P1	BOURNS TRIMMER 10K 3306W VERT	DE0434
P2	BOURNS TRIMMER 10K 3306W VERT	DE0434
R1	RES MF 10R 2% 0.25W RADIAL	AV0001
R2	RES MF 10R 2% 0.25W RADIAL	AV0001
R3	MF 0.25W RES 1% 5K1 BL	API366
R4	MF 0.25W RES 1% 5K1 BL	API366
R5	MF 0.25W RES 1% 15K BL	API377
R6	MF 0.25W RES 1% 15K BL	API377
R7	MF 0.25W RES 1% 100K BL	API397
R8	MF 0.25W RES 1% 100K BL	API397
R9	MF 0.25W RES 1% 3K6 BL	API362
R10	MF 0.25W RES 1% 3K6 BL	API362
R11	AF 0.25W RES 1% 330R BL	API337
R12	AF 0.25W RES 1% 330R BL	API337
R13	AF 0.25W RES 1% 330R BL	API337
R14	AF 0.25W RES 1% 330R BL	API337

328XD SPE MODULE PCB ASSY

RB4113

Ident	Description	Part Number
pcb ass	328XD SPE MODULE PCB SM ASSY	RB4113A-SM

RMIDS FDR PCB ASSY

RB4188

Ident	Description	Part Number
C14	VERT ELEC 330MF/6.3V 6.3D 11L	CE0455
C15	VERT ELEC 0.2" TPD 220UF 16V S	CE0483
C26	VERT ELEC 330MF/6.3V 6.3D 11L	CE0455
C34	VERT ELEC SSP 10UF/25V TPD	CE0495R
C35	VERT ELEC SSP 10UF/25V TPD	CE0495R
C36	VERT ELEC SSP 10UF/25V TPD	CE0495R
C37	VERT ELEC SSP 10UF/25V TPD	CE0495R
C38	VERT ELEC SSP 10UF/25V TPD	CE0495R
C39	VERT ELEC SSP 10UF/25V TPD	CE0495R
CN1	T&B CON IDC 16WY LW PRF VRT ML	FA0068
CN14	8WY 2MM MODIFIED HDR MTMM	FF1006
CN15	8WY 2MM MODIFIED HDR MTMM	FF1006
CN16	12WY 2MM MODIFIED HDR MTMM	FF1007
CN17	12WY 2MM MODIFIED HDR MTMM	FF1007
FDR1	PAN 100MM FDR 10K LIN	DD0465

FDR2	PAN 100MM FDR 10K LIN	DD0465
FDR3	PAN 100MM FDR 10K LIN	DD0465
FDR4	PAN 100MM FDR 10K LIN	DD0465
FDR5	PAN 100MM FDR 10K LIN	DD0465
FDR6	PAN 100MM FDR 10K LIN	DD0465
IC9	STEREO DIGITAL AMP I/C CS3310	BE0502
R72	ZERO OHM RESISTOR (METAL SLUG)	AZ2222
R73	ZERO OHM RESISTOR (METAL SLUG)	AZ2222
SW1	IWATSU 11MM SWT G+R LEDS	DF0668
SW2	IWATSU 11MM SWT G+R LEDS	DF0668
SW3	IWATSU 11MM SWT G+R LEDS	DF0668
SW4	IWATSU 11MM SWT G+R LEDS	DF0668
SW5	IWATSU 11MM SWT G+R LEDS	DF0668
SW6	IWATSU 11MM SWT G+R LEDS	DF0668
SW7	IWATSU 11MM SWT G+R LEDS	DF0668
SW8	IWATSU 11MM SWT G+R LEDS	DF0668
SW9	IWATSU 11MM SWT G+R LEDS	DF0668
SW10	IWATSU 11MM SWT G+R LEDS	DF0668
SW11	IWATSU 11MM SWT G+R LEDS	DF0668
SW12	IWATSU 11MM SWT G+R LEDS	DF0668
pcb ass	RMIDS FDR PCB SM ASSY	RB4188A-SM

RMID AES/SPDIF PCB ASSY

Ident	Description	Part Number
CN1	DIN41612 62+2 WAY ML R/A AB-50	FF0981
CN2	DUAL PHONO R/A SEPERATE GNDS	FH0795
JMP1	HONDA .1" 2WY SIL HDR (GOLD)	FF0613
JMP2	HONDA .1" 2WY SIL HDR (GOLD)	FF0613
JMP3	HONDA .1" 2WY SIL HDR (GOLD)	FF0613
JMP4	HONDA .1" 2WY SIL HDR (GOLD)	FF0613
TX1	AES/EBU TX PE65612	HA0037
TX2	AES/EBU TX PE65612	HA0037
TX3	AES/EBU TX PE65612	HA0037
TX4	AES/EBU TX PE65612	HA0037
TX5	AES/EBU TX PE65612	HA0037
TX6	AES/EBU TX PE65612	HA0037
TX7	AES/EBU TX PE65612	HA0037
TX8	AES/EBU TX PE65612	HA0037
XLR1	XLR CON FML R/A CHAS PIN MTL	FK0986
XLR2	XLR CON FML R/A CHAS PIN MTL	FK0986
XLR3	XLR CON FML R/A CHAS PIN MTL	FK0986
XLR4	XLR CON FML R/A CHAS PIN MTL	FK0986
XLR7	XLR CON ML R/A CHAS PIN MTL	FK0987
XLR8	XLR CON ML R/A CHAS PIN MTL	FK0987
pcb ass	RMID AES/SPDIF PCB SM ASSY	RB4204A-SM

RB4204

RMID TIMER PCB

Ident	Description	Part Number
C5	VERT ELEC 330MF/6.3V 6.3D 11L	CE0455
CN1	IDC TO SOLDER TRANS TYPE "A"	RV3604-10-300
IC2	7-SEG LED GREEN CMN A 7.6MM	JE0417
IC3	7-SEG LED GREEN CMN A 7.6MM	JE0417
IC4	7-SEG LED GREEN CMN A 7.6MM	JE0417
IC5	7-SEG LED GREEN CMN A 7.6MM	JE0417
IC6	LED DISPLAY RED HDSP7511	JE0408
IC7	LED DISPLAY RED HDSP7511	JE0408
IC8	LED DISPLAY RED HDSP7511	JE0408
IC9	LED DISPLAY RED HDSP7511	JE0408
pcb ass	RMID TIMER PCB SM ASSY	RC3950A-SM

RC3950

RMID B/PLANE EXTENSION PC

Ident	Description	Part Number
CN6	MTHD 8WY. 1" ML LCKNG PLRSD HDR	FF0569
CN11	T&B CON IDC 10WY LW PRF VRT ML	FA0067
CN12	T&B CON IDC 16WY LW PRF VRT ML	FA0068
CN15	IDC 34WY LW PRFL VERT ML HDR	FA0087
CN16	IDC 34WY LW PRFL VERT ML HDR	FA0087
CN23	DIN41612 PRESSFIT AB 64WY FML	FP0064F-AB-50
CN24	DIN41612 PRESSFIT AB 64WY FML	FP0064F-AB-50

RC3962

CN25	DIN41612 PRESSFIT AB 64WY FML	FP0064F-AB-50
pcb ass	RMID B/PLANE EXTENSION SM ASSY	RC3962A-SM

RMID +5 VOLT REG.PCB ASSY

Ident	Description	Part Number
---	H\SINK TO220 HORZ.22.5C/W	ZC10031
pcb	RMID +5 VOLT REG.PCB	SC4184-03
C1	VERT ELEC 10U 63V 105DEG	CE0516
C2	MICRO-BOX 5MM 5% 63V 2N2	CC0240
C3	CRMC CAP DISC 1NF 1KV	CA0060
C4	CRMC CAP 0.001MF	CA0015
C5	C/C 0.2" TAPED 100V 220PF(N22)	CA0007
C7	VERT ELEC 10U 63V 105DEG	CE0516
C10	VERT ELEC 2200UF/16V LOW ESR W	CE0501
C11	VERT ELEC 2200UF/16V LOW ESR W	CE0501
C12	VERT ELEC 10U 63V 105DEG	CE0516
C13	M/LAYER CRMC CAP 50V 100N	CA0018
C14	M/LAYER CRMC CAP 50V 100N	CA0018
C15	M/LAYER CRMC CAP 50V 100N	CA0018
C16	M/LAYER CRMC CAP 50V 100N	CA0018
C17	M/LAYER CRMC CAP 50V 100N	CA0018
C18	M/LAYER CRMC CAP 50V 100N	CA0018
CN2	MINI-FIT 14WY R/A HDR	FF0971
D2	DIODE 1N4148	BA0001
D3	DIODE RECT.MUR1620CT 200V 8A	BC10006
D4	DIODE 1N4148	BA0001
DZ1	ZENER DIODE 500MW 18V	BB0120
IC1	UC3842A DIP8 SMPSU CONT	BE0525
L1	FERRITE BEAD DUAL RAD 0.2"	HC0007
L2	FERRITE BEAD DUAL RAD 0.2"	HC0007
L4	27UH 5A INDUCTOR TORROID J1110	HC0042
R1	MF 1W RES 5% 10R PRO1	AE0100
R2	MF 0.25W RES 1% 10K BL	AP1373
R3	MF 0.25W RES 1% 11K BL	AP1374
R4	RES 0R062 2WATT 5%	AG10018
R5	MF 0.25W RES 1% 47R BL	AP1317
R6	MF 0.25W RES 1% 24K BL	AP1382
R7	MF 1W RES 5% 1R0	AE0010
R8	MF 0.25W RES 1% 470R BL	AP1341
R9	MF 0.25W RES 1% 470R BL	AP1341
R10	RES 0R062 2WATT 5%	AG10018
R11	MF 0.25W RES 1% 270R BL	AP1335
R13	RES 680R 5% 1W MF PRO1	AE10033
R14	RES 680R 5% 1W MF PRO1	AE10033
R15	AP 0.25W RES 1% 1K BL	AP1349
REG1	TL431 SHUNT REGULATOR	BE0503
TR1	(A) MOSFET IRF 540 XE05-	BD10035

RC4184

RMID DPE MODULE PCB ASSY

Ident	Description	Part Number
pcb ass	RMID DPE MODULE PCB SM ASSY	RD3948B-SM

RD3948B

RMID MTR/SPKR PCB ASSY

Ident	Description	Part Number
C7	VERT ELEC 220UF 25V SKP	CE0422
C8	VERT ELEC 0.2" TPD 47UF 25V SKP	CE0401
C17	VERT ELEC 0.2" TPD 47UF 25V SKP	CE0401
C18	VERT ELEC 100UF 25V SKP	CE0446
C19	VERT ELEC 100UF 25V SKP	CE0446
C32	VERT ELEC 220UF 25V SKP	CE0422
C39	VERT ELEC 0.2" TPD 47UF 25V SKP	CE0401
C40	VERT ELEC 0.2" TPD 47UF 25V SKP	CE0401
C45	VERT ELEC 220UF 25V SKP	CE0422
CN1	MTHD 3WY .1" ML LCKG PLRSD HDR	FF0627
CN2	MTHD 8WY .1" ML LCKNG PLRSD HDR	FF0569
CN4	T&B CON IDC 10WY LW PRF VRT ML	FA0067
FR1	(Safety Critical Part)! MF 0.33W RES 5% 1R FUSIBLE	AD8001
FR2	(Safety Critical Part)! MF 0.33W RES 5% 1R FUSIBLE	AD8001
FR3	(Safety Critical Part)! MF 0.33W RES 5% 1R FUSIBLE	AD8001

RD3960A

FR4	(Safety Critical Part)! MF 0.33W RES 5% IR FUSIBLE	AD8001
IC7	TBA820M MONOLITHIC AMPLIFIER	BE0472
R10	MF 2W RES 5% 33R PRO2	AE2330
VR1	ALPS 14MM 10KX2	DM1279
VR2	ALPS 14MM 10KX2	DM1279
pcb ass	RMID MTR/SPKR PCB SM ASSY	RD3960A-SM

RMID MTR/SPKR PCB ASSY

Ident	Description	Part Number
C39	VERT ELEC 0.2"TPD 47UF 25V SKP	CE0401
C40	VERT ELEC 0.2"TPD 47UF 25V SKP	CE0401
C45	VERT ELEC 220UF 25V SKP	CE0422
CN2	MTHD 8WY .1" ML LCKNG PLRSD HDR	FF0569
CN4	T&B CON IDC 10WY LW PRF VRT ML	FA0067
FR1	(Safety Critical Part)! MF 0.33W RES 5% IR FUSIBLE	AD8001
FR2	(Safety Critical Part)! MF 0.33W RES 5% IR FUSIBLE	AD8001
FR3	(Safety Critical Part)! MF 0.33W RES 5% IR FUSIBLE	AD8001
FR4	(Safety Critical Part)! MF 0.33W RES 5% IR FUSIBLE	AD8001
pcb ass	RMID MTR/SPKR PCB SM ASSY	RD3960C-SM

RD3960C

RMID I/P SURFACE PCB ASSY

Ident	Description	Part Number
---	RMID I/P KEYPAD	PK2586-01
---	14PIN DIL SPACER 1.5MM HIGH	ZC0233
C26	VERT ELEC 330MF/6.3V 6.3D 11L	CE0455
CN1	T&B CON IDC 16WY LW PRF VRT ML	FA0068
CN2	MTHD.1"3WY R/A ML HDR-UNDERLCK	FF0980
CN3	MTHD.1"3WY R/A ML HDR-UNDERLCK	FF0980
CN4	MTHD.1"3WY R/A ML HDR-UNDERLCK	FF0980
CN5	MTHD.1"3WY R/A ML HDR-UNDERLCK	FF0980
CN6	MTHD.1"3WY R/A ML HDR-UNDERLCK	FF0980
CN7	MTHD.1"3WY R/A ML HDR-UNDERLCK	FF0980
DISP1	4CH 7BY5 DOT MTX DISP SER GRN	JE0411
DISP2	4CH 7BY5 DOT MTX DISP SER GRN	JE0411
DISP3	4CH 7BY5 DOT MTX DISP SER GRN	JE0411
DISP4	4CH 7BY5 DOT MTX DISP SER GRN	JE0411
DISP5	4CH 7BY5 DOT MTX DISP SER GRN	JE0411
DISP6	4CH 7BY5 DOT MTX DISP SER GRN	JE0411
R72	ZERO OHM RESISTOR (METAL SLUG)	AZ2222
X1	20MHZ CRYSTAL (HC49V/4H)	ZE0415
pcb ass	RMID I/P SURFACE PCB SM ASSY	RE3946A-SM

RE3946

RMID MASTER SURFACE PCB ASSY

Ident	Description	Part Number
---	LCD MOD 16X2 TEXT LED BL	JA0148
---	RMID MAST/CLOCK KEYPAD	PK2585-02
C20	VERT ELEC 330MF/6.3V 6.3D 11L	CE0455
CN1	T&B CON IDC 16WY LW PRF VRT ML	FA0068
CN2	MLX 0.1" 16WY B/E SKT	FF0967
CN3	MTHD 3WY .1" ML LCKG PLRSD HDR	FF0627
CN4	MTHD 3WY .1" ML LCKG PLRSD HDR	FF0627
CN5	T&B CON IDC 10WY LW PRF VRT ML	FA0067
ENC1	ALPS 11MM ENCODER 24-PULSE	DH0726
ENC2	ALPS 11MM ENCODER 24-PULSE	DH0726
ENC3	ALPS 11MM ENCODER 24-PULSE	DH0726
ENC4	ALPS 11MM ENCODER 24-PULSE	DH0726
ENC5	ALPS 11MM ENCODER 24-PULSE	DH0726
ENC6	ALPS 11MM ENCODER 24-PULSE	DH0726
ENC7	ALPS 11MM ENCODER 24-PULSE	DH0726
ENC8	ALPS 11MM ENCODER 24-PULSE	DH0726
ENC9	ALPS 11MM ENCODER 24-PULSE	DH0726
ENC10	ALPS 11MM ENCODER 24-PULSE	DH0726
IC9	DISPLAY BASE CIRCULAR CLIP	JD0390-03
IC10	DISPLAY BASE CIRCULAR CLIP	JD0390-03
IC11	DISPLAY BASE CIRCULAR CLIP	JD0390-03
IC12	DISPLAY BASE CIRCULAR CLIP	JD0390-03
IC13	DISPLAY BASE CIRCULAR CLIP	JD0390-03
IC14	DISPLAY BASE CIRCULAR CLIP	JD0390-03
IC15	DISPLAY BASE CIRCULAR CLIP	JD0390-03

RG3947

IC16	DISPLAY BASE CIRCULAR CLIP	JD0390-03
IC17	DISPLAY BASE CIRCULAR CLIP	JD0390-03
Pcb skt	I6WY VERT SIL HDR-SHORT PIN	FF0970
VR1	10K LIN LOW HEIGHT VERT MNT D	DM1366
VR2	10K LIN LOW HEIGHT VERT MNT D	DM1366
VR3	10K LIN LOW HEIGHT VERT MNT D	DM1366
VR4	10K LIN LOW HEIGHT VERT MNT D	DM1366
X1	20MHZ CRYSTAL (HC49V/4H)	ZE0415
pcb ass	RMID MAST SURFACE PCB SM ASSY	RG3947A-SM

RMIDS MASTER SURFACE PCB ASSY

RG3947-US

Ident	Description	Part Number
---	LCD MOD I6X2 TEXT LED BL	JA0148
---	RMID MASTER/CLOCK KEYPAD(USA)	PK2611-01
C20	VERT ELEC 330MF/6.3V 6.3D 11L	CE0455
CN1	T&B CON IDC I6WY LW PRF VRT ML	FA0068
CN2	MLX 0.1" I6WY B/E SKT	FF0967
CN3	MTHD 3WY .1" ML LCKG PLRSD HDR	FF0627
CN4	MTHD 3WY .1" ML LCKG PLRSD HDR	FF0627
CN5	T&B CON IDC I0WY LW PRF VRT ML	FA0067
ENC1	ALPS 11MM ENCODER 24-PULSE	DH0726
ENC2	ALPS 11MM ENCODER 24-PULSE	DH0726
ENC3	ALPS 11MM ENCODER 24-PULSE	DH0726
ENC4	ALPS 11MM ENCODER 24-PULSE	DH0726
ENC5	ALPS 11MM ENCODER 24-PULSE	DH0726
ENC6	ALPS 11MM ENCODER 24-PULSE	DH0726
ENC7	ALPS 11MM ENCODER 24-PULSE	DH0726
ENC8	ALPS 11MM ENCODER 24-PULSE	DH0726
ENC9	ALPS 11MM ENCODER 24-PULSE	DH0726
ENC10	ALPS 11MM ENCODER 24-PULSE	DH0726
IC9	DISPLAY BASE CIRCULAR CLIP	JD0390-03
IC10	DISPLAY BASE CIRCULAR CLIP	JD0390-03
IC11	DISPLAY BASE CIRCULAR CLIP	JD0390-03
IC12	DISPLAY BASE CIRCULAR CLIP	JD0390-03
IC13	DISPLAY BASE CIRCULAR CLIP	JD0390-03
IC14	DISPLAY BASE CIRCULAR CLIP	JD0390-03
IC15	DISPLAY BASE CIRCULAR CLIP	JD0390-03
IC16	DISPLAY BASE CIRCULAR CLIP	JD0390-03
IC17	DISPLAY BASE CIRCULAR CLIP	JD0390-03
Pcb skt	I6WY VERT SIL HDR-SHORT PIN	FF0970
VR1	10K LIN LOW HEIGHT VERT MNT D	DM1366
VR2	10K LIN LOW HEIGHT VERT MNT D	DM1366
VR3	10K LIN LOW HEIGHT VERT MNT D	DM1366
VR4	10K LIN LOW HEIGHT VERT MNT D	DM1366
X1	20MHZ CRYSTAL (HC49V/4H)	ZE0415
pcb ass	RMID MAST SURFACE PCB SM ASSY	RG3947A-SM

C92	CAP CRMC 100NF 10% 50V X7R	CS7104R-0805K
C93	CAP CRMC 100NF 10% 50V X7R	CS7104R-0805K
C94	CAP CRMC 100NF 10% 50V X7R	CS7104R-0805K
C95	CAP CRMC 100NF 10% 50V X7R	CS7104R-0805K
C96	CAP CRMC 100NF 10% 50V X7R	CS7104R-0805K
C97	CAP CRMC 100NF 10% 50V X7R	CS7104R-0805K
C98	CAP CRMC 10NF 10% 50V X7R	CS7103R-0805K
C99	CAP CRMC 680PF 5% 50V	CS1681R-0805J
C100	CAP CRMC 680PF 5% 50V	CS1681R-0805J
C101	CAP CRMC 680PF 5% 50V	CS1681R-0805J
C102	CAP CRMC 680PF 5% 50V	CS1681R-0805J
C103	CAP CRMC 680PF 5% 50V	CS1681R-0805J
C104	CAP CRMC 680PF 5% 50V	CS1681R-0805J
C105	CAP CRMC 680PF 5% 50V	CS1681R-0805J
C106	CAP CRMC 680PF 5% 50V	CS1681R-0805J
C107	CAP CRMC 680PF 5% 50V	CS1681R-0805J
C108	CAP CRMC 100NF 10% 50V X7R	CS7104R-0805K
C109	CAP CRMC 100NF 10% 50V X7R	CS7104R-0805K
C110	CAP CRMC 100NF 10% 50V X7R	CS7104R-0805K
C111	CAP CRMC 100NF 10% 50V X7R	CS7104R-0805K
C112	CAP CRMC 100NF 10% 50V X7R	CS7104R-0805K
C113	CAP CRMC 100NF 10% 50V X7R	CS7104R-0805K
CN2	34WY 0.1"BTM ENTRY SM 7.37H	FS0014
CN3	34WY 0.1"BTM ENTRY SM 7.37H	FS0014
D4	BAV70 SM DUAL DIODE COM CATH	BS0013R-SOT23
D5	BAV70 SM DUAL DIODE COM CATH	BS0013R-SOT23
D6	BAV70 SM DUAL DIODE COM CATH	BS0013R-SOT23
D7	BAV70 SM DUAL DIODE COM CATH	BS0013R-SOT23
DZ1	BZX84-C10 ZENER DIODE	BS0026R-SOT23
DZ2	BZX84-C10 ZENER DIODE	BS0026R-SOT23
DZ3	BZX84-C10 ZENER DIODE	BS0026R-SOT23
DZ4	BZX84-C10 ZENER DIODE	BS0026R-SOT23
DZ5	BZX84-C10 ZENER DIODE	BS0026R-SOT23
DZ6	BZX84-C10 ZENER DIODE	BS0026R-SOT23
DZ8	BZX84-C10 ZENER DIODE	BS0026R-SOT23
DZ10	BZX84-C10 ZENER DIODE	BS0026R-SOT23
DZ12	BZX84-C10 ZENER DIODE	BS0026R-SOT23
IC1	INA163 INSTRUMENT AMP.	BS10044
IC2	DG412 SM QUAD ANALOG SWT	BS7016R-SO16
IC3	DG412 SM QUAD ANALOG SWT	BS7016R-SO16
IC4	74HC373 SM OCT D LTCH 3ST	BS2085R
IC5	INA163 INSTRUMENT AMP.	BS10044
IC6	DG412 SM QUAD ANALOG SWT	BS7016R-SO16
IC7	DG412 SM QUAD ANALOG SWT	BS7016R-SO16
IC8	74HC373 SM OCT D LTCH 3ST	BS2085R
IC9	AK4524 24-BIT AUDIO CODEC	BS9220R-VSOP28
IC10	OP275GS SM DUAL OPAMP	BS7010R-SOIC8
IC11	DRV134 BAL LINE DRIVER SM	BS7014M-SO16
IC12	DRV134 BAL LINE DRIVER SM	BS7014M-SO16
IC13	74HC259 SM 8BIT ADRSBLE LTCH	BS2073R
IC14	74HC259 SM 8BIT ADRSBLE LTCH	BS2073R
IC15	74HC259 SM 8BIT ADRSBLE LTCH	BS2073R
IC16	74HC04 SM HEX INVERTER	BS2004R
IC17	74HC32 SM QD 2 I/P OR	BS2015R-SO14
IC18	74HC238 SM 3-8 DEC/DEMUX	BS2062R
IC19	74HC373 SM OCT D LTCH 3ST	BS2085R
IC20	74HC373 SM OCT D LTCH 3ST	BS2085R
IC21	74HC373 SM OCT D LTCH 3ST	BS2085R
IC22	OP275GS SM DUAL OPAMP	BS7010R-SOIC8
IC24	INA163 INSTRUMENT AMP.	BS10044
IC25	DG412 SM QUAD ANALOG SWT	BS7016R-SO16
IC26	DG412 SM QUAD ANALOG SWT	BS7016R-SO16
IC28	INA163 INSTRUMENT AMP.	BS10044
IC29	DG412 SM QUAD ANALOG SWT	BS7016R-SO16
IC30	DG412 SM QUAD ANALOG SWT	BS7016R-SO16
IC32	INA163 INSTRUMENT AMP.	BS10044
IC33	DG412 SM QUAD ANALOG SWT	BS7016R-SO16
IC34	DG412 SM QUAD ANALOG SWT	BS7016R-SO16
R1	SM0805 RES 6K8 1% 0.1W T200	AS0682R-0805F
R2	SM0805 RES 6K8 1% 0.1W T200	AS0682R-0805F
R3	SM0805 RES 6K8 1% 0.1W T200	AS0682R-0805F
R4	SM0805 RES 6K8 1% 0.1W T200	AS0682R-0805F
R5	SM0805 RES 100K 1% 0.1W T200	AS0104R-0805F

R6	SM0805 RES 33K 1% 0.1W T200	AS0333R-0805F
R7	SM0805 RES 100R 1% 0.1W T200	AS0101R-0805F
R8	SM0805 RES 33K 1% 0.1W T200	AS0333R-0805F
R9	SM0805 RES 33K 1% 0.1W T200	AS0333R-0805F
R10	SM0805 RES 33K 1% 0.1W T200	AS0333R-0805F
R11	SM0805 RES 33K 1% 0.1W T200	AS0333R-0805F
R12	SM0805 RES 51R 1% 0.1W T200	AS0510R-0805F
R13	SM0805 RES 100K 1% 0.1W T200	AS0104R-0805F
R14	SM0805 RES 51R 1% 0.1W T200	AS0510R-0805F
R15	SM0805 RES 10R 1% 0.1W T200	AS0100R-0805F
R16	SM0805 RES 7K5 1% 0.1W T200	AS0752R-0805F
R17	SM0805 RES 22R 1% 0.1W T200	AS0220R-0805F
R18	SM0805 RES 47R 1% 0.1W T200	AS0470R-0805F
R19	SM0805 RES 110R 1% 0.1W T200	AS0111R-0805F
R20	SM0805 RES 220R 1% 0.1W T200	AS0221R-0805F
R21	SM0805 RES 510R 1% 0.1W T200	AS0511R-0805F
R22	SM0805 RES 1K1 1% 0.1W T200	AS0112R-0805F
R23	SM0805 RES 470K 1% 0.1W T200	AS0474R-0805F
R24	SM0805 RES 220K 1% 0.1W T200	AS0224R-0805F
R25	SM0805 RES 220K 1% 0.1W T200	AS0224R-0805F
R26	SM0805 RES 33K 1% 0.1W T200	AS0333R-0805F
R27	SM0805 RES 220K 1% 0.1W T200	AS0224R-0805F
R28	SM0805 RES 6K8 1% 0.1W T200	AS0682R-0805F
R29	SM0805 RES 6K8 1% 0.1W T200	AS0682R-0805F
R30	SM0805 RES 6K8 1% 0.1W T200	AS0682R-0805F
R31	SM0805 RES 6K8 1% 0.1W T200	AS0682R-0805F
R32	SM0805 RES 100K 1% 0.1W T200	AS0104R-0805F
R33	SM0805 RES 33K 1% 0.1W T200	AS0333R-0805F
R34	SM0805 RES 100R 1% 0.1W T200	AS0101R-0805F
R35	SM0805 RES 33K 1% 0.1W T200	AS0333R-0805F
R36	SM0805 RES 33K 1% 0.1W T200	AS0333R-0805F
R37	SM0805 RES 33K 1% 0.1W T200	AS0333R-0805F
R38	SM0805 RES 33K 1% 0.1W T200	AS0333R-0805F
R39	SM0805 RES 510R 1% 0.1W T200	AS0511R-0805F
R40	SM0805 RES 100R 1% 0.1W T200	AS0101R-0805F
R41	SM0805 RES 10R 1% 0.1W T200	AS0100R-0805F
R42	SM0805 RES 22R 1% 0.1W T200	AS0220R-0805F
R43	SM0805 RES 47R 1% 0.1W T200	AS0470R-0805F
R44	SM0805 RES 220R 1% 0.1W T200	AS0221R-0805F
R45	SM0805 RES 510R 1% 0.1W T200	AS0511R-0805F
R46	SM0805 RES 1K1 1% 0.1W T200	AS0112R-0805F
R47	SM0805 RES 2K 1% 0.1W T200	AS0202R-0805F
R48	SM0805 RES 4K7 1% 0.1W T200	AS0472R-0805F
R49	SM0805 RES 75K 1% 0.1W T200	AS0753R-0805F
R50	SM0805 RES 470K 1% 0.1W T200	AS0474R-0805F
R51	SM0805 RES 220K 1% 0.1W T200	AS0224R-0805F
R52	SM0805 RES 220K 1% 0.1W T200	AS0224R-0805F
R53	SM0805 RES 33K 1% 0.1W T200	AS0333R-0805F
R54	SM0805 RES 220K 1% 0.1W T200	AS0224R-0805F
R55	SM0805 RES 10R 1% 0.1W T200	AS0100R-0805F
R56	SM0805 RES 2K 1% 0.1W T200	AS0202R-0805F
R57	SM0805 RES 3K9 1% 0.1W T200	AS0392R-0805F
R58	SM0805 RES 3K9 1% 0.1W T200	AS0392R-0805F
R59	SM0805 RES 10K 1% 0.1W T200	AS0103R-0805F
R60	SM0805 RES 2K 1% 0.1W T200	AS0202R-0805F
R61	SM0805 RES 3K9 1% 0.1W T200	AS0392R-0805F
R62	SM0805 RES 3K9 1% 0.1W T200	AS0392R-0805F
R63	SM0805 RES 10K 1% 0.1W T200	AS0103R-0805F
R64	SM0805 RES 2K 1% 0.1W T200	AS0202R-0805F
R65	SM0805 RES 3K9 1% 0.1W T200	AS0392R-0805F
R66	SM0805 RES 3K9 1% 0.1W T200	AS0392R-0805F
R67	SM0805 RES 10K 1% 0.1W T200	AS0103R-0805F
R68	SM0805 RES 2K 1% 0.1W T200	AS0202R-0805F
R69	SM0805 RES 3K9 1% 0.1W T200	AS0392R-0805F
R70	SM0805 RES 3K9 1% 0.1W T200	AS0392R-0805F
R71	SM0805 RES 10K 1% 0.1W T200	AS0103R-0805F
R72	SM0805 RES 100K 1% 0.1W T200	AS0104R-0805F
R73	SM0805 RES 100K 1% 0.1W T200	AS0104R-0805F
R74	SM0805 RES 100K 1% 0.1W T200	AS0104R-0805F
R75	SM0805 RES 100K 1% 0.1W T200	AS0104R-0805F
R76	SM0805 RES 2K4 1% 0.1W T200	AS0242R-0805F
R77	SM0805 RES 4R7 1% 0.1W T200	AS0047R-0805F
R78	SM0805 RES 10K 1% 0.1W T200	AS0103R-0805F

R79	SM0805 RES 10K 1% 0.1W T200	AS0103R-0805F
R80	SM0805 RES 10K 1% 0.1W T200	AS0103R-0805F
R81	SM0805 RES 10K 1% 0.1W T200	AS0103R-0805F
R82	SM0805 RES 10K 1% 0.1W T200	AS0103R-0805F
R83	SM0805 RES 10K 1% 0.1W T200	AS0103R-0805F
R84	SM0805 RES 10K 1% 0.1W T200	AS0103R-0805F
R85	SM0805 RES 10K 1% 0.1W T200	AS0103R-0805F
R86	SM0805 RES 10K 1% 0.1W T200	AS0103R-0805F
R87	SM0805 RES 10K 1% 0.1W T200	AS0103R-0805F
R88	SM0805 RES 10K 1% 0.1W T200	AS0103R-0805F
R89	SM0805 RES 10K 1% 0.1W T200	AS0103R-0805F
R90	SM0805 RES OR 1% 0.1W T200	AS0000R-0805F
R91	SM0805 RES 10K 1% 0.1W T200	AS0103R-0805F
R92	SM0805 RES 470K 1% 0.1W T200	AS0474R-0805F
R93	SM0805 RES 7K5 1% 0.1W T200	AS0752R-0805F
R94	SM0805 RES 7K5 1% 0.1W T200	AS0752R-0805F
R95	SM0805 RES 100R 1% 0.1W T200	AS0101R-0805F
R96	SM0805 RES 10K 1% 0.1W T200	AS0103R-0805F
R97	SM0805 RES 7K5 1% 0.1W T200	AS0752R-0805F
R98	SM0805 RES 470K 1% 0.1W T200	AS0474R-0805F
R99	SM0805 RES 470K 1% 0.1W T200	AS0474R-0805F
R100	SM0805 RES 470K 1% 0.1W T200	AS0474R-0805F
R101	SM0805 RES 470K 1% 0.1W T200	AS0474R-0805F
R102	SM0805 RES 2K4 1% 0.1W T200	AS0242R-0805F
R103	SM0805 RES 6K8 1% 0.1W T200	AS0682R-0805F
R104	SM0805 RES 6K8 1% 0.1W T200	AS0682R-0805F
R105	SM0805 RES 6K8 1% 0.1W T200	AS0682R-0805F
R106	SM0805 RES 6K8 1% 0.1W T200	AS0682R-0805F
R107	SM0805 RES 100K 1% 0.1W T200	AS0104R-0805F
R108	SM0805 RES 33K 1% 0.1W T200	AS0333R-0805F
R109	SM0805 RES 100R 1% 0.1W T200	AS0101R-0805F
R110	SM0805 RES 33K 1% 0.1W T200	AS0333R-0805F
R111	SM0805 RES 33K 1% 0.1W T200	AS0333R-0805F
R112	SM0805 RES 33K 1% 0.1W T200	AS0333R-0805F
R113	SM0805 RES 33K 1% 0.1W T200	AS0333R-0805F
R114	SM0805 RES 51R 1% 0.1W T200	AS0510R-0805F
R115	SM0805 RES 100K 1% 0.1W T200	AS0104R-0805F
R116	SM0805 RES 51R 1% 0.1W T200	AS0510R-0805F
R117	SM0805 RES 10R 1% 0.1W T200	AS0100R-0805F
R118	SM0805 RES 3K3 1% 0.1W T200	AS0332R-0805F
R119	SM0805 RES 22R 1% 0.1W T200	AS0220R-0805F
R120	SM0805 RES 47R 1% 0.1W T200	AS0470R-0805F
R121	SM0805 RES 110R 1% 0.1W T200	AS0111R-0805F
R122	SM0805 RES 220R 1% 0.1W T200	AS0221R-0805F
R123	SM0805 RES 510R 1% 0.1W T200	AS0511R-0805F
R124	SM0805 RES 1K1 1% 0.1W T200	AS0112R-0805F
R125	SM0805 RES 470K 1% 0.1W T200	AS0474R-0805F
R126	SM0805 RES 220K 1% 0.1W T200	AS0224R-0805F
R127	SM0805 RES 220K 1% 0.1W T200	AS0224R-0805F
R128	SM0805 RES 33K 1% 0.1W T200	AS0333R-0805F
R129	SM0805 RES 220K 1% 0.1W T200	AS0224R-0805F
R130	SM0805 RES 100R 1% 0.1W T200	AS0101R-0805F
R131	SM0805 RES 3K9 1% 0.1W T200	AS0392R-0805F
R132	SM0805 RES 100R 1% 0.1W T200	AS0101R-0805F
R135	SM0805 RES 2K4 1% 0.1W T200	AS0242R-0805F
R136	SM0805 RES 6K8 1% 0.1W T200	AS0682R-0805F
R137	SM0805 RES 6K8 1% 0.1W T200	AS0682R-0805F
R138	SM0805 RES 6K8 1% 0.1W T200	AS0682R-0805F
R139	SM0805 RES 6K8 1% 0.1W T200	AS0682R-0805F
R140	SM0805 RES 100K 1% 0.1W T200	AS0104R-0805F
R141	SM0805 RES 33K 1% 0.1W T200	AS0333R-0805F
R142	SM0805 RES 100R 1% 0.1W T200	AS0101R-0805F
R143	SM0805 RES 33K 1% 0.1W T200	AS0333R-0805F
R144	SM0805 RES 33K 1% 0.1W T200	AS0333R-0805F
R145	SM0805 RES 33K 1% 0.1W T200	AS0333R-0805F
R146	SM0805 RES 33K 1% 0.1W T200	AS0333R-0805F
R147	SM0805 RES 75R 1% 0.1W T200	AS0750R-0805F
R148	SM0805 RES 100K 1% 0.1W T200	AS0104R-0805F
R149	SM0805 RES 75R 1% 0.1W T200	AS0750R-0805F
R150	SM0805 RES 10R 1% 0.1W T200	AS0100R-0805F
R152	SM0805 RES 22R 1% 0.1W T200	AS0220R-0805F
R153	SM0805 RES 47R 1% 0.1W T200	AS0470R-0805F
R154	SM0805 RES 110R 1% 0.1W T200	AS0111R-0805F

R155	SM0805 RES 220R 1% 0.1W T200	AS0221R-0805F
R156	SM0805 RES 510R 1% 0.1W T200	AS0511R-0805F
R157	SM0805 RES 1K1 1% 0.1W T200	AS0112R-0805F
R158	SM0805 RES 470K 1% 0.1W T200	AS0474R-0805F
R159	SM0805 RES 220K 1% 0.1W T200	AS0224R-0805F
R160	SM0805 RES 220K 1% 0.1W T200	AS0224R-0805F
R161	SM0805 RES 33K 1% 0.1W T200	AS0333R-0805F
R162	SM0805 RES 220K 1% 0.1W T200	AS0224R-0805F
R168	SM0805 RES 2K4 1% 0.1W T200	AS0242R-0805F
R169	SM0805 RES 6K8 1% 0.1W T200	AS0682R-0805F
R170	SM0805 RES 6K8 1% 0.1W T200	AS0682R-0805F
R171	SM0805 RES 6K8 1% 0.1W T200	AS0682R-0805F
R172	SM0805 RES 6K8 1% 0.1W T200	AS0682R-0805F
R173	SM0805 RES 100K 1% 0.1W T200	AS0104R-0805F
R174	SM0805 RES 33K 1% 0.1W T200	AS0333R-0805F
R175	SM0805 RES 100R 1% 0.1W T200	AS0101R-0805F
R176	SM0805 RES 33K 1% 0.1W T200	AS0333R-0805F
R177	SM0805 RES 33K 1% 0.1W T200	AS0333R-0805F
R178	SM0805 RES 33K 1% 0.1W T200	AS0333R-0805F
R179	SM0805 RES 33K 1% 0.1W T200	AS0333R-0805F
R180	SM0805 RES 75R 1% 0.1W T200	AS0750R-0805F
R181	SM0805 RES 100K 1% 0.1W T200	AS0104R-0805F
R182	SM0805 RES 75R 1% 0.1W T200	AS0750R-0805F
R183	SM0805 RES 10R 1% 0.1W T200	AS0100R-0805F
R185	SM0805 RES 22R 1% 0.1W T200	AS0220R-0805F
R186	SM0805 RES 47R 1% 0.1W T200	AS0470R-0805F
R187	SM0805 RES 110R 1% 0.1W T200	AS0111R-0805F
R188	SM0805 RES 220R 1% 0.1W T200	AS0221R-0805F
R189	SM0805 RES 510R 1% 0.1W T200	AS0511R-0805F
R190	SM0805 RES 1K1 1% 0.1W T200	AS0112R-0805F
R191	SM0805 RES 470K 1% 0.1W T200	AS0474R-0805F
R192	SM0805 RES 220K 1% 0.1W T200	AS0224R-0805F
R193	SM0805 RES 220K 1% 0.1W T200	AS0224R-0805F
R194	SM0805 RES 33K 1% 0.1W T200	AS0333R-0805F
R195	SM0805 RES 220K 1% 0.1W T200	AS0224R-0805F
R201	SM0805 RES 2K4 1% 0.1W T200	AS0242R-0805F
R202	SM0805 RES 4R7 1% 0.1W T200	AS0047R-0805F
R203	SM0805 RES 75K 1% 0.1W T200	AS0753R-0805F
R204	SM0805 RES 75K 1% 0.1W T200	AS0753R-0805F
R205	SM0805 RES 75K 1% 0.1W T200	AS0753R-0805F
R206	SM0805 RES 75K 1% 0.1W T200	AS0753R-0805F
R209	SM0805 RES 2K4 1% 0.1W T200	AS0242R-0805F
R210	SM0805 RES 1K1 1% 0.1W T200	AS0112R-0805F
R211	SM0805 RES 510R 1% 0.1W T200	AS0511R-0805F
R212	SM0805 RES 220R 1% 0.1W T200	AS0221R-0805F
R213	SM0805 RES 110R 1% 0.1W T200	AS0111R-0805F
R214	SM0805 RES 47R 1% 0.1W T200	AS0470R-0805F
R215	SM0805 RES 22R 1% 0.1W T200	AS0220R-0805F
R216	SM0805 RES 10R 1% 0.1W T200	AS0100R-0805F
R218	SM0805 RES 2K4 1% 0.1W T200	AS0242R-0805F
R219	SM0805 RES 1K1 1% 0.1W T200	AS0112R-0805F
R220	SM0805 RES 510R 1% 0.1W T200	AS0511R-0805F
R221	SM0805 RES 220R 1% 0.1W T200	AS0221R-0805F
R222	SM0805 RES 110R 1% 0.1W T200	AS0111R-0805F
R223	SM0805 RES 47R 1% 0.1W T200	AS0470R-0805F
R224	SM0805 RES 22R 1% 0.1W T200	AS0220R-0805F
R225	SM0805 RES 2K4 1% 0.1W T200	AS0242R-0805F
R226	SM0805 RES 1K1 1% 0.1W T200	AS0112R-0805F
R227	SM0805 RES 510R 1% 0.1W T200	AS0511R-0805F
R228	SM0805 RES 220R 1% 0.1W T200	AS0221R-0805F
R229	SM0805 RES 110R 1% 0.1W T200	AS0111R-0805F
R230	SM0805 RES 47R 1% 0.1W T200	AS0470R-0805F
R231	SM0805 RES 22R 1% 0.1W T200	AS0220R-0805F
R232	SM0805 RES 2K4 1% 0.1W T200	AS0242R-0805F
R233	SM0805 RES 1K1 1% 0.1W T200	AS0112R-0805F
R234	SM0805 RES 510R 1% 0.1W T200	AS0511R-0805F
R235	SM0805 RES 220R 1% 0.1W T200	AS0221R-0805F
R236	SM0805 RES 110R 1% 0.1W T200	AS0111R-0805F
R237	SM0805 RES 47R 1% 0.1W T200	AS0470R-0805F
R238	SM0805 RES 22R 1% 0.1W T200	AS0220R-0805F
R239	SM0805 RES 10R 1% 0.1W T200	AS0100R-0805F
R241	SM0805 RES 10R 1% 0.1W T200	AS0100R-0805F
R243	SM0805 RES 10R 1% 0.1W T200	AS0100R-0805F

TR1	BC856 TRANSISTOR PNP	BS0514R-SOT23
TR2	BC846 TRANSISTOR NPN	BS0513R-SOT23
TR5	BC856 TRANSISTOR PNP	BS0514R-SOT23
TR6	BC846 TRANSISTOR NPN	BS0513R-SOT23
TR7	BC856 TRANSISTOR PNP	BS0514R-SOT23
TR8	BC846 TRANSISTOR NPN	BS0513R-SOT23
TR11	BC856 TRANSISTOR PNP	BS0514R-SOT23
TR12	BC846 TRANSISTOR NPN	BS0513R-SOT23
TR25	BC856 TRANSISTOR PNP	BS0514R-SOT23
TR26	BC846 TRANSISTOR NPN	BS0513R-SOT23
TR27	BC856 TRANSISTOR PNP	BS0514R-SOT23
TR28	BC846 TRANSISTOR NPN	BS0513R-SOT23
TR33	BC856 TRANSISTOR PNP	BS0514R-SOT23
TR34	BC846 TRANSISTOR NPN	BS0513R-SOT23
TR35	BC856 TRANSISTOR PNP	BS0514R-SOT23
TR36	BC846 TRANSISTOR NPN	BS0513R-SOT23
TR41	BC856 TRANSISTOR PNP	BS0514R-SOT23
TR42	BC846 TRANSISTOR NPN	BS0513R-SOT23
TR43	BC856 TRANSISTOR PNP	BS0514R-SOT23
TR44	BC846 TRANSISTOR NPN	BS0513R-SOT23
TR51	BC846 TRANSISTOR NPN	BS0513R-SOT23
TR52	BC846 TRANSISTOR NPN	BS0513R-SOT23
TR53	BC846 TRANSISTOR NPN	BS0513R-SOT23
TR54	BC846 TRANSISTOR NPN	BS0513R-SOT23
TR55	BC846 TRANSISTOR NPN	BS0513R-SOT23
TR56	BC846 TRANSISTOR NPN	BS0513R-SOT23
TR57	BC846 TRANSISTOR NPN	BS0513R-SOT23
TR58	BC846 TRANSISTOR NPN	BS0513R-SOT23
TR59	BC846 TRANSISTOR NPN	BS0513R-SOT23
TR60	BC846 TRANSISTOR NPN	BS0513R-SOT23
TR61	BC846 TRANSISTOR NPN	BS0513R-SOT23
TR62	BC846 TRANSISTOR NPN	BS0513R-SOT23

RMID ANALOGUE I/P PCB SM ASSY

Ident	Description	Part Number
pcb	RMID ANALOGUE I/P PCB	SC4203-01
C5	CAP CRMC 47PF 5% 50V NPO	CS1470R-0805J
C8	CAP CRMC 220PF 5% 100V NPO	CS1221R-0805J
C9	CAP CRMC 47PF 5% 50V NPO	CS1470R-0805J
C10	CAP CRMC 47PF 5% 50V NPO	CS1470R-0805J
C12	CAP CRMC 22PF 5% 50V NPO	CS1220R-0805J
C14	CAP CRMC 220PF 5% 100V NPO	CS1221R-0805J
C16	CAP CRMC 100NF 10% 50V X7R	CS7104R-0805K
C17	CAP CRMC 100NF 10% 50V X7R	CS7104R-0805K
C18	CAP CRMC 100NF 10% 50V X7R	CS7104R-0805K
C19	TANT CAP 10UF 10V CASE B	CS3106R-CASBK
C20	CAP CRMC 100NF 10% 50V X7R	CS7104R-0805K
C21	TANT CAP 10UF 10V CASE B	CS3106R-CASBK
C22	TANT CAP 10UF 10V CASE B	CS3106R-CASBK
C23	CAP CRMC 100NF 10% 50V X7R	CS7104R-0805K
C24	CAP CRMC 100NF 10% 50V X7R	CS7104R-0805K
C25	TANT CAP 10UF 10V CASE B	CS3106R-CASBK
C26	CAP CRMC 100NF 10% 50V X7R	CS7104R-0805K
C27	CAP CRMC 1N 5% 50V COG	CS1102R-0805J
C29	CAP CRMC 47PF 5% 50V NPO	CS1470R-0805J
C30	CAP CRMC 22PF 5% 50V NPO	CS1220R-0805J
C31	CAP CRMC 47PF 5% 50V NPO	CS1470R-0805J
C32	CAP CRMC 10NF 10% 50V X7R	CS7103R-0805K
C33	CAP CRMC 10NF 10% 50V X7R	CS7103R-0805K
C37	CAP CRMC 47PF 5% 50V NPO	CS1470R-0805J
C40	CAP CRMC 220PF 5% 100V NPO	CS1221R-0805J
C41	TANT CAP 10UF 10V CASE B	CS3106R-CASBK
C42	CAP CRMC 220PF 5% 100V NPO	CS1221R-0805J
C44	CAP CRMC 100NF 10% 50V X7R	CS7104R-0805K
C45	CAP CRMC 1N 5% 50V COG	CS1102R-0805J
C47	CAP CRMC 47PF 5% 50V NPO	CS1470R-0805J
C48	CAP CRMC 22PF 5% 50V NPO	CS1220R-0805J
C49	CAP CRMC 47PF 5% 50V NPO	CS1470R-0805J
C52	TANT CAP 10UF 10V CASE B	CS3106R-CASBK
C53	CAP CRMC 100NF 10% 50V X7R	CS7104R-0805K
C54	CAP CRMC 100NF 10% 50V X7R	CS7104R-0805K
C55	CAP CRMC 100NF 10% 50V X7R	CS7104R-0805K

RA4203A-SM

C56	TANT CAP 10UF 10V CASE B	CS3106R-CASBK
C57	CAP CRMC 100NF 10% 50V X7R	CS7104R-0805K
C58	CAP CRMC 47PF 5% 50V NPO	CS1470R-0805J
C61	CAP CRMC 220PF 5% 100V NPO	CS1221R-0805J
C62	CAP CRMC 220PF 5% 100V NPO	CS1221R-0805J
C64	TANT CAP 10UF 10V CASE B	CS3106R-CASBK
C65	CAP CRMC 100NF 10% 50V X7R	CS7104R-0805K
C66	CAP CRMC 100NF 10% 50V X7R	CS7104R-0805K
C67	CAP CRMC 1N 5% 50V COG	CS1102R-0805J
C68	TANT CAP 10UF 10V CASE B	CS3106R-CASBK
C69	CAP CRMC 100NF 10% 50V X7R	CS7104R-0805K
C71	CAP CRMC 47PF 5% 50V NPO	CS1470R-0805J
C72	CAP CRMC 22PF 5% 50V NPO	CS1220R-0805J
C73	CAP CRMC 47PF 5% 50V NPO	CS1470R-0805J
C77	CAP CRMC 47PF 5% 50V NPO	CS1470R-0805J
C80	CAP CRMC 220PF 5% 100V NPO	CS1221R-0805J
C81	CAP CRMC 220PF 5% 100V NPO	CS1221R-0805J
C83	CAP CRMC 100NF 10% 50V X7R	CS7104R-0805K
C84	CAP CRMC 1N 5% 50V COG	CS1102R-0805J
C91	CAP CRMC 47PF 5% 50V NPO	CS1470R-0805J
C92	CAP CRMC 12PF 5% 50V	CS1120R-0805J
C93	CAP CRMC 47PF 5% 50V NPO	CS1470R-0805J
C96	TANT CAP 10UF 10V CASE B	CS3106R-CASBK
C97	CAP CRMC 100NF 10% 50V X7R	CS7104R-0805K
C98	CAP CRMC 100NF 10% 50V X7R	CS7104R-0805K
C99	CAP CRMC 100NF 10% 50V X7R	CS7104R-0805K
C100	TANT CAP 10UF 10V CASE B	CS3106R-CASBK
C101	CAP CRMC 100NF 10% 50V X7R	CS7104R-0805K
C102	CAP CRMC 47PF 5% 50V NPO	CS1470R-0805J
C105	CAP CRMC 220PF 5% 100V NPO	CS1221R-0805J
C106	CAP CRMC 220PF 5% 100V NPO	CS1221R-0805J
C108	TANT CAP 10UF 10V CASE B	CS3106R-CASBK
C109	CAP CRMC 100NF 10% 50V X7R	CS7104R-0805K
C110	CAP CRMC 100NF 10% 50V X7R	CS7104R-0805K
C111	CAP CRMC 1N 5% 50V COG	CS1102R-0805J
C112	TANT CAP 10UF 10V CASE B	CS3106R-CASBK
C113	CAP CRMC 100NF 10% 50V X7R	CS7104R-0805K
C115	CAP CRMC 47PF 5% 50V NPO	CS1470R-0805J
C116	CAP CRMC 12PF 5% 50V	CS1120R-0805J
C117	CAP CRMC 47PF 5% 50V NPO	CS1470R-0805J
C121	CAP CRMC 47PF 5% 50V NPO	CS1470R-0805J
C124	CAP CRMC 220PF 5% 100V NPO	CS1221R-0805J
C125	CAP CRMC 220PF 5% 100V NPO	CS1221R-0805J
C127	CAP CRMC 100NF 10% 50V X7R	CS7104R-0805K
C128	CAP CRMC 1N 5% 50V COG	CS1102R-0805J
C135	CAP CRMC 47PF 5% 50V NPO	CS1470R-0805J
C136	CAP CRMC 12PF 5% 50V	CS1120R-0805J
C137	CAP CRMC 47PF 5% 50V NPO	CS1470R-0805J
C140	TANT CAP 10UF 10V CASE B	CS3106R-CASBK
C141	CAP CRMC 100NF 10% 50V X7R	CS7104R-0805K
C142	CAP CRMC 100NF 10% 50V X7R	CS7104R-0805K
C143	CAP CRMC 100NF 10% 50V X7R	CS7104R-0805K
C144	TANT CAP 10UF 10V CASE B	CS3106R-CASBK
C145	CAP CRMC 100NF 10% 50V X7R	CS7104R-0805K
C146	CAP CRMC 47PF 5% 50V NPO	CS1470R-0805J
C149	CAP CRMC 220PF 5% 100V NPO	CS1221R-0805J
C150	CAP CRMC 220PF 5% 100V NPO	CS1221R-0805J
C152	TANT CAP 10UF 10V CASE B	CS3106R-CASBK
C153	CAP CRMC 100NF 10% 50V X7R	CS7104R-0805K
C154	CAP CRMC 100NF 10% 50V X7R	CS7104R-0805K
C155	CAP CRMC 1N 5% 50V COG	CS1102R-0805J
C156	TANT CAP 10UF 10V CASE B	CS3106R-CASBK
C157	CAP CRMC 100NF 10% 50V X7R	CS7104R-0805K
C159	CAP CRMC 47PF 5% 50V NPO	CS1470R-0805J
C160	CAP CRMC 12PF 5% 50V	CS1120R-0805J
C161	CAP CRMC 47PF 5% 50V NPO	CS1470R-0805J
C165	CAP CRMC 47PF 5% 50V NPO	CS1470R-0805J
C168	CAP CRMC 220PF 5% 100V NPO	CS1221R-0805J
C169	CAP CRMC 220PF 5% 100V NPO	CS1221R-0805J
C171	CAP CRMC 100NF 10% 50V X7R	CS7104R-0805K
C172	CAP CRMC 1N 5% 50V COG	CS1102R-0805J
C184	CAP CRMC 100NF 10% 50V X7R	CS7104R-0805K
C185	CAP CRMC 100NF 10% 50V X7R	CS7104R-0805K

C187	CAP CRMC 100NF 10% 50V X7R	CS7104R-0805K
C188	CAP CRMC 100NF 10% 50V X7R	CS7104R-0805K
C190	CAP CRMC 10NF 10% 50V X7R	CS7103R-0805K
C191	CAP CRMC 100NF 10% 50V X7R	CS7104R-0805K
C192	CAP CRMC 100NF 10% 50V X7R	CS7104R-0805K
C196	CAP CRMC 100NF 10% 50V X7R	CS7104R-0805K
C197	CAP CRMC 100NF 10% 50V X7R	CS7104R-0805K
C202	CAP CRMC 100NF 10% 50V X7R	CS7104R-0805K
C203	CAP CRMC 100NF 10% 50V X7R	CS7104R-0805K
C208	CAP CRMC 100NF 10% 50V X7R	CS7104R-0805K
C209	CAP CRMC 100NF 10% 50V X7R	CS7104R-0805K
C212	CAP CRMC 100NF 10% 50V X7R	CS7104R-0805K
C213	CAP CRMC 100NF 10% 50V X7R	CS7104R-0805K
C214	CAP CRMC 100NF 10% 50V X7R	CS7104R-0805K
C215	CAP CRMC 100NF 10% 50V X7R	CS7104R-0805K
C220	CAP CRMC 100NF 10% 50V X7R	CS7104R-0805K
C221	CAP CRMC 100NF 10% 50V X7R	CS7104R-0805K
C226	CAP CRMC 100NF 10% 50V X7R	CS7104R-0805K
C227	CAP CRMC 100NF 10% 50V X7R	CS7104R-0805K
C232	CAP CRMC 100NF 10% 50V X7R	CS7104R-0805K
C233	CAP CRMC 100NF 10% 50V X7R	CS7104R-0805K
C236	CAP CRMC 10NF 10% 50V X7R	CS7103R-0805K
C238	CAP CRMC 10NF 10% 50V X7R	CS7103R-0805K
C240	CAP CRMC 10NF 10% 50V X7R	CS7103R-0805K
C242	CAP CRMC 10NF 10% 50V X7R	CS7103R-0805K
C244	CAP CRMC 10NF 10% 50V X7R	CS7103R-0805K
C246	CAP CRMC 10NF 10% 50V X7R	CS7103R-0805K
C247	CAP CRMC 10NF 10% 50V X7R	CS7103R-0805K
C248	CAP CRMC 10NF 10% 50V X7R	CS7103R-0805K
C252	CAP CRMC 10NF 10% 50V X7R	CS7103R-0805K
C253	CAP CRMC 10NF 10% 50V X7R	CS7103R-0805K
C254	CAP CRMC 10NF 10% 50V X7R	CS7103R-0805K
C255	CAP CRMC 10NF 10% 50V X7R	CS7103R-0805K
C257	CAP CRMC 10NF 10% 50V X7R	CS7103R-0805K
C258	CAP CRMC 10NF 10% 50V X7R	CS7103R-0805K
C259	CAP CRMC 10NF 10% 50V X7R	CS7103R-0805K
C260	CAP CRMC 10NF 10% 50V X7R	CS7103R-0805K
C261	CAP CRMC 10NF 10% 50V X7R	CS7103R-0805K
D5	DIODE SURFACE MOUNT BAS16	BS0001R-SOT23
DZ1	BZX84-C10 ZENER DIODE	BS0026R-SOT23
DZ2	BZX84-C10 ZENER DIODE	BS0026R-SOT23
DZ3	BZX84-C10 ZENER DIODE	BS0026R-SOT23
DZ4	BZX84-C10 ZENER DIODE	BS0026R-SOT23
DZ5	BZX84-C10 ZENER DIODE	BS0026R-SOT23
DZ6	BZX84-C10 ZENER DIODE	BS0026R-SOT23
DZ7	BZX84-C10 ZENER DIODE	BS0026R-SOT23
DZ8	BZX84-C10 ZENER DIODE	BS0026R-SOT23
DZ9	BZX84-C10 ZENER DIODE	BS0026R-SOT23
DZ10	BZX84-C10 ZENER DIODE	BS0026R-SOT23
DZ11	BZX84-C10 ZENER DIODE	BS0026R-SOT23
DZ12	BZX84-C10 ZENER DIODE	BS0026R-SOT23
DZ13	BZX84-C10 ZENER DIODE	BS0026R-SOT23
DZ14	BZX84-C10 ZENER DIODE	BS0026R-SOT23
DZ15	BZX84-C10 ZENER DIODE	BS0026R-SOT23
DZ16	BZX84-C10 ZENER DIODE	BS0026R-SOT23
DZ17	BZX84-C10 ZENER DIODE	BS0026R-SOT23
DZ18	BZX84-C10 ZENER DIODE	BS0026R-SOT23
DZ19	BZX84-C10 ZENER DIODE	BS0026R-SOT23
DZ20	BZX84-C10 ZENER DIODE	BS0026R-SOT23
DZ21	BZX84-C10 ZENER DIODE	BS0026R-SOT23
DZ22	BZX84-C10 ZENER DIODE	BS0026R-SOT23
DZ23	BZX84-C10 ZENER DIODE	BS0026R-SOT23
DZ24	BZX84-C10 ZENER DIODE	BS0026R-SOT23
DZ25	BZX84-C10 ZENER DIODE	BS0026R-SOT23
DZ26	BZX84-C10 ZENER DIODE	BS0026R-SOT23
DZ27	BZX84-C10 ZENER DIODE	BS0026R-SOT23
DZ28	BZX84-C10 ZENER DIODE	BS0026R-SOT23
DZ29	BZX84-C10 ZENER DIODE	BS0026R-SOT23
DZ30	BZX84-C10 ZENER DIODE	BS0026R-SOT23
DZ31	BZX84-C10 ZENER DIODE	BS0026R-SOT23
DZ32	BZX84-C10 ZENER DIODE	BS0026R-SOT23
IC1	OP275GS SM DUAL OPAMP	BS7010R-SOIC8
IC2	AD7112BR DUAL LOGDAC 0DB -60DB	BS9221R-SOIC20

IC3	OP275GS SM DUAL OPAMP	BS7010R-SOIC8
IC4	AK5392 24BIT STER ADC	BS9196R-SO28
IC5	OP275GS SM DUAL OPAMP	BS7010R-SOIC8
IC6	74HC02 SM QD 2I/P NOR	BS2002R
IC8	OP275GS SM DUAL OPAMP	BS7010R-SOIC8
IC9	AD7112BR DUAL LOGDAC 0DB -60DB	BS9221R-SOIC20
IC10	OP275GS SM DUAL OPAMP	BS7010R-SOIC8
IC11	AK5392 24BIT STER ADC	BS9196R-SO28
IC12	OP275GS SM DUAL OPAMP	BS7010R-SOIC8
IC15	OP275GS SM DUAL OPAMP	BS7010R-SOIC8
IC16	AD7112BR DUAL LOGDAC 0DB -60DB	BS9221R-SOIC20
IC17	OP275GS SM DUAL OPAMP	BS7010R-SOIC8
IC18	AK5392 24BIT STER ADC	BS9196R-SO28
IC19	OP275GS SM DUAL OPAMP	BS7010R-SOIC8
IC22	OP275GS SM DUAL OPAMP	BS7010R-SOIC8
IC23	AD7112BR DUAL LOGDAC 0DB -60DB	BS9221R-SOIC20
IC24	OP275GS SM DUAL OPAMP	BS7010R-SOIC8
IC25	AK5392 24BIT STER ADC	BS9196R-SO28
IC26	OP275GS SM DUAL OPAMP	BS7010R-SOIC8
IC29	74VHCT245A OCT BUS TXR TSSOP20	BS97245R-TSSOP
IC30	74VHCT245A OCT BUS TXR TSSOP20	BS97245R-TSSOP
IC31	74HC245A OCTAL TRANSCEIVER	BS2068R-TSSOP20
IC33	74VHCT245A OCT BUS TXR TSSOP20	BS97245R-TSSOP
IC37	74HC165 SM 8BIT PISO SHFT RG	BS2047R
IC38	74HC165 SM 8BIT PISO SHFT RG	BS2047R
IC39	74HC14 SM HEX INV SCHMT TRG	BS2010R
IC40	74HC4053 SM TP 2CH MUX/DEMUX	BS2513R-SO16
IC41	74HC259 SM 8BIT ADRSBLE LTCH	BS2073R
IC42	74VHCT138A 3-8 DEMUX TSSOP 16	BS97138R-TSSOP
IC43	74HC32 SM QD 2 I/P OR	BS2015R-SO14
IC44	74VHCT138A 3-8 DEMUX TSSOP 16	BS97138R-TSSOP
R1	SM0805 RES 10R 1% 0.1W T200	AS0100R-0805F
R2	SM0805 RES 10R 1% 0.1W T200	AS0100R-0805F
R3	SM0805 RES 10R 1% 0.1W T200	AS0100R-0805F
R4	SM0805 RES 10R 1% 0.1W T200	AS0100R-0805F
R5	SM0805 RES 10K 1% 0.1W T200	AS0103R-0805F
R6	SM0805 RES 10K 1% 0.1W T200	AS0103R-0805F
R7	SM0805 RES 2K2 1% 0.1W T200	AS0222R-0805F
R8	SM0805 RES 2K2 1% 0.1W T200	AS0222R-0805F
R9	SM0805 RES 10K 1% 0.1W T200	AS0103R-0805F
R10	SM0805 RES 10K 1% 0.1W T200	AS0103R-0805F
R11	SM0805 RES 10K 1% 0.1W T200	AS0103R-0805F
R12	SM0805 RES 10K 1% 0.1W T200	AS0103R-0805F
R13	SM0805 RES 47R 1% 0.1W T200	AS0470R-0805F
R14	SM0805 RES 10K 1% 0.1W T200	AS0103R-0805F
R15	SM0805 RES 3K3 1% 0.1W T200	AS0332R-0805F
R16	SM0805 RES 390R 1% 0.1W T200	AS0391R-0805F
R17	SM0805 RES 390R 1% 0.1W T200	AS0391R-0805F
R18	SM0805 RES 10K 1% 0.1W T200	AS0103R-0805F
R19	SM0805 RES 10K 1% 0.1W T200	AS0103R-0805F
R20	SM0805 RES 10K 1% 0.1W T200	AS0103R-0805F
R21	SM0805 RES 10K 1% 0.1W T200	AS0103R-0805F
R22	SM0805 RES 10R 1% 0.1W T200	AS0100R-0805F
R23	SM0805 RES 10K 1% 0.1W T200	AS0103R-0805F
R24	SM0805 RES 10K 1% 0.1W T200	AS0103R-0805F
R25	SM0805 RES 10R 1% 0.1W T200	AS0100R-0805F
R26	SM0805 RES 10R 1% 0.1W T200	AS0100R-0805F
R27	SM0805 RES 10R 1% 0.1W T200	AS0100R-0805F
R28	SM0805 RES 0R 1% 0.1W T200	AS0000R-0805F
R29	SM0805 RES 0R 1% 0.1W T200	AS0000R-0805F
R30	SM0805 RES 0R 1% 0.1W T200	AS0000R-0805F
R31	SM0805 RES 10K 1% 0.1W T200	AS0103R-0805F
R32	SM0805 RES 2K2 1% 0.1W T200	AS0222R-0805F
R33	SM0805 RES 10K 1% 0.1W T200	AS0103R-0805F
R34	SM0805 RES 390R 1% 0.1W T200	AS0391R-0805F
R35	SM0805 RES 390R 1% 0.1W T200	AS0391R-0805F
R36	SM0805 RES 10K 1% 0.1W T200	AS0103R-0805F
R37	SM0805 RES 2K2 1% 0.1W T200	AS0222R-0805F
R38	SM0805 RES 10K 1% 0.1W T200	AS0103R-0805F
R39	MMELF RES 100K 1% 0.2W 50BLF	AS2104R-0102F
R40	MMELF RES 100K 1% 0.2W 50BLF	AS2104R-0102F
R41	SM0805 RES 100R 1% 0.1W T200	AS0101R-0805F
R42	SM0805 RES 0R 1% 0.1W T200	AS0000R-0805F

R43	SM0805 RES 47R 1% 0.1W T200	AS0470R-0805F
R44	SM0805 RES 47R 1% 0.1W T200	AS0470R-0805F
R45	SM0805 RES 47R 1% 0.1W T200	AS0470R-0805F
R46	SM0805 RES 47R 1% 0.1W T200	AS0470R-0805F
R47	SM0805 RES 47R 1% 0.1W T200	AS0470R-0805F
R48	MMELF RES 100K 1% 0.2W 50BLF	AS2104R-0102F
R53	SM0805 RES 10K 1% 0.1W T200	AS0103R-0805F
R54	SM0805 RES 10K 1% 0.1W T200	AS0103R-0805F
R55	SM0805 RES 47R 1% 0.1W T200	AS0470R-0805F
R56	SM0805 RES 10K 1% 0.1W T200	AS0103R-0805F
R57	SM0805 RES 10K 1% 0.1W T200	AS0103R-0805F
R58	SM0805 RES 10R 1% 0.1W T200	AS0100R-0805F
R59	SM0805 RES 3K9 1% 0.1W T200	AS0392R-0805F
R60	SM0805 RES 10R 1% 0.1W T200	AS0100R-0805F
R61	SM0805 RES 3K9 1% 0.1W T200	AS0392R-0805F
R62	SM0805 RES 3K9 1% 0.1W T200	AS0392R-0805F
R63	SM0805 RES 3K9 1% 0.1W T200	AS0392R-0805F
R64	MMELF RES 100K 1% 0.2W 50BLF	AS2104R-0102F
R65	SM0805 RES 10K 1% 0.1W T200	AS0103R-0805F
R66	SM0805 RES 2K2 1% 0.1W T200	AS0222R-0805F
R67	SM0805 RES 10K 1% 0.1W T200	AS0103R-0805F
R68	SM0805 RES 390R 1% 0.1W T200	AS0391R-0805F
R69	SM0805 RES 390R 1% 0.1W T200	AS0391R-0805F
R70	SM0805 RES 10K 1% 0.1W T200	AS0103R-0805F
R71	SM0805 RES 2K2 1% 0.1W T200	AS0222R-0805F
R72	SM0805 RES 10K 1% 0.1W T200	AS0103R-0805F
R73	SM0805 RES 10K 1% 0.1W T200	AS0103R-0805F
R74	SM0805 RES 10K 1% 0.1W T200	AS0103R-0805F
R76	SM0805 RES 10K 1% 0.1W T200	AS0103R-0805F
R77	SM0805 RES 10K 1% 0.1W T200	AS0103R-0805F
R78	SM0805 RES 10R 1% 0.1W T200	AS0100R-0805F
R82	SM0805 RES 10K 1% 0.1W T200	AS0103R-0805F
R83	SM0805 RES 2K2 1% 0.1W T200	AS0222R-0805F
R84	SM0805 RES 10K 1% 0.1W T200	AS0103R-0805F
R85	SM0805 RES 390R 1% 0.1W T200	AS0391R-0805F
R86	SM0805 RES 390R 1% 0.1W T200	AS0391R-0805F
R87	SM0805 RES 10K 1% 0.1W T200	AS0103R-0805F
R88	SM0805 RES 2K2 1% 0.1W T200	AS0222R-0805F
R89	SM0805 RES 10K 1% 0.1W T200	AS0103R-0805F
R90	SM0805 RES 10R 1% 0.1W T200	AS0100R-0805F
R96	SM0805 RES 10K 1% 0.1W T200	AS0103R-0805F
R97	SM0805 RES 10K 1% 0.1W T200	AS0103R-0805F
R99	SM0805 RES 10K 1% 0.1W T200	AS0103R-0805F
R100	SM0805 RES 10K 1% 0.1W T200	AS0103R-0805F
R101	SM0805 RES 10R 1% 0.1W T200	AS0100R-0805F
R103	SM0805 RES 10R 1% 0.1W T200	AS0100R-0805F
R107	MMELF RES 100K 1% 0.2W 50BLF	AS2104R-0102F
R108	SM0805 RES 10K 1% 0.1W T200	AS0103R-0805F
R109	SM0805 RES 2K2 1% 0.1W T200	AS0222R-0805F
R110	SM0805 RES 10K 1% 0.1W T200	AS0103R-0805F
R111	SM0805 RES 390R 1% 0.1W T200	AS0391R-0805F
R112	SM0805 RES 390R 1% 0.1W T200	AS0391R-0805F
R113	SM0805 RES 10K 1% 0.1W T200	AS0103R-0805F
R114	SM0805 RES 2K2 1% 0.1W T200	AS0222R-0805F
R115	SM0805 RES 10K 1% 0.1W T200	AS0103R-0805F
R116	SM0805 RES 10K 1% 0.1W T200	AS0103R-0805F
R117	SM0805 RES 10K 1% 0.1W T200	AS0103R-0805F
R119	SM0805 RES 10K 1% 0.1W T200	AS0103R-0805F
R120	SM0805 RES 10K 1% 0.1W T200	AS0103R-0805F
R121	SM0805 RES 10R 1% 0.1W T200	AS0100R-0805F
R125	SM0805 RES 10K 1% 0.1W T200	AS0103R-0805F
R126	SM0805 RES 2K2 1% 0.1W T200	AS0222R-0805F
R127	SM0805 RES 10K 1% 0.1W T200	AS0103R-0805F
R128	SM0805 RES 390R 1% 0.1W T200	AS0391R-0805F
R129	SM0805 RES 390R 1% 0.1W T200	AS0391R-0805F
R130	SM0805 RES 10K 1% 0.1W T200	AS0103R-0805F
R131	SM0805 RES 2K2 1% 0.1W T200	AS0222R-0805F
R132	SM0805 RES 10K 1% 0.1W T200	AS0103R-0805F
R133	SM0805 RES 10R 1% 0.1W T200	AS0100R-0805F
R135	MMELF RES 100K 1% 0.2W 50BLF	AS2104R-0102F
R136	MMELF RES 100K 1% 0.2W 50BLF	AS2104R-0102F
R137	MMELF RES 100K 1% 0.2W 50BLF	AS2104R-0102F
R138	MMELF RES 100K 1% 0.2W 50BLF	AS2104R-0102F

R139	SM0805 RES 10K 1% 0.1W T200	AS0103R-0805F
R140	SM0805 RES 10K 1% 0.1W T200	AS0103R-0805F
R142	SM0805 RES 10K 1% 0.1W T200	AS0103R-0805F
R143	SM0805 RES 10K 1% 0.1W T200	AS0103R-0805F
R144	SM0805 RES 10R 1% 0.1W T200	AS0100R-0805F
R146	SM0805 RES 10R 1% 0.1W T200	AS0100R-0805F
R150	MMELF RES 100K 1% 0.2W 50BLF	AS2104R-0102F
R151	SM0805 RES 10K 1% 0.1W T200	AS0103R-0805F
R152	SM0805 RES 2K2 1% 0.1W T200	AS0222R-0805F
R153	SM0805 RES 10K 1% 0.1W T200	AS0103R-0805F
R154	SM0805 RES 390R 1% 0.1W T200	AS0391R-0805F
R155	SM0805 RES 390R 1% 0.1W T200	AS0391R-0805F
R156	SM0805 RES 10K 1% 0.1W T200	AS0103R-0805F
R157	SM0805 RES 2K2 1% 0.1W T200	AS0222R-0805F
R158	SM0805 RES 10K 1% 0.1W T200	AS0103R-0805F
R159	SM0805 RES 10K 1% 0.1W T200	AS0103R-0805F
R160	SM0805 RES 10K 1% 0.1W T200	AS0103R-0805F
R162	SM0805 RES 10K 1% 0.1W T200	AS0103R-0805F
R163	SM0805 RES 10K 1% 0.1W T200	AS0103R-0805F
R164	SM0805 RES 10R 1% 0.1W T200	AS0100R-0805F
R168	SM0805 RES 10K 1% 0.1W T200	AS0103R-0805F
R169	SM0805 RES 2K2 1% 0.1W T200	AS0222R-0805F
R170	SM0805 RES 10K 1% 0.1W T200	AS0103R-0805F
R171	SM0805 RES 390R 1% 0.1W T200	AS0391R-0805F
R172	SM0805 RES 390R 1% 0.1W T200	AS0391R-0805F
R173	SM0805 RES 10K 1% 0.1W T200	AS0103R-0805F
R174	SM0805 RES 2K2 1% 0.1W T200	AS0222R-0805F
R175	SM0805 RES 10K 1% 0.1W T200	AS0103R-0805F
R176	SM0805 RES 10R 1% 0.1W T200	AS0100R-0805F
R178	MMELF RES 100K 1% 0.2W 50BLF	AS2104R-0102F
R179	MMELF RES 100K 1% 0.2W 50BLF	AS2104R-0102F
R180	MMELF RES 100K 1% 0.2W 50BLF	AS2104R-0102F
R181	MMELF RES 100K 1% 0.2W 50BLF	AS2104R-0102F
RN1	SM0603 4-RES 100K 5% 62MW T200	AS7104R-0603TF4
RN2	SM0603 4-RES 100K 5% 62MW T200	AS7104R-0603TF4
RN3	SM0603 4-RES 100K 5% 62MW T200	AS7104R-0603TF4
RN4	SM0603 4-RES 100K 5% 62MW T200	AS7104R-0603TF4
RN5	SM0603 4-RES 100K 5% 62MW T200	AS7104R-0603TF4
RN7	SM0603 4-RES 22R 5% 62MW T200	AS7220R-0603TF4
RN8	SM0603 4-RES 47R 5% 32MW T200	AS7470R-0603TF4
RN9	SM0603 4-RES 47R 5% 32MW T200	AS7470R-0603TF4
RN10	SM0603 4-RES 47R 5% 32MW T200	AS7470R-0603TF4
RN11	SM0603 4-RES 47R 5% 32MW T200	AS7470R-0603TF4
RN12	SM0603 4-RES 47R 5% 32MW T200	AS7470R-0603TF4
RN13	SM0603 4-RES 22R 5% 62MW T200	AS7220R-0603TF4
RN15	SM0603 4-RES 22R 5% 62MW T200	AS7220R-0603TF4
STD	SM0805 RES 10R 1% 0.1W T200	AS0100R-0805F

RMID ADD ANALOGUE I/O SM ASSY

Ident	Description
pcb	RMID ADD ANALOGUE I/P PCB
C1	CAP CRMC 100NF 10% 50V X7R
C2	CAP CRMC 100NF 10% 50V X7R
C3	CAP CRMC 100NF 10% 50V X7R
C4	CAP CRMC 100NF 10% 50V X7R
C5	CAP CRMC 100NF 10% 50V X7R
C6	CAP CRMC 100NF 10% 50V X7R
C7	CAP CRMC 100NF 10% 50V X7R
C8	CAP CRMC 100NF 10% 50V X7R
C9	CAP CRMC 220PF 5% 100V NPO
C10	CAP CRMC 220PF 5% 100V NPO
C11	CAP CRMC 1N5 5% 50V COG
C12	CAP CRMC 1N5 5% 50V COG
C13	CAP CRMC 220PF 5% 100V NPO
C14	CAP CRMC 220PF 5% 100V NPO
C15	CAP CRMC 1N5 5% 50V COG
C16	CAP CRMC 1N5 5% 50V COG
C19	CAP CRMC 100NF 10% 50V X7R
C33	CAP CRMC 33PF 5% 50V NPO
C34	CAP CRMC 33PF 5% 50V NPO
C37	CAP CRMC 33PF 5% 50V NPO
C38	CAP CRMC 33PF 5% 50V NPO

RA4205A-SM

Part Number
SC4205-01
CS7104R-0805K
CS7104R-0805K
CS7104R-0805K
CS7104R-0805K
CS7104R-0805K
CS7104R-0805K
CS7104R-0805K
CS7104R-0805K
CS1221R-0805J
CS1221R-0805J
CS1152R-0805J
CS1152R-0805J
CS1221R-0805J
CS1221R-0805J
CS1152R-0805J
CS1152R-0805J
CS7104R-0805K
CS1330R-0805J
CS1330R-0805J
CS1330R-0805J
CS1330R-0805J

C43	CAP CRMC 100NF 10% 50V X7R	CS7104R-0805K
C44	CAP CRMC 100NF 10% 50V X7R	CS7104R-0805K
C45	CAP CRMC 100NF 10% 50V X7R	CS7104R-0805K
C46	CAP CRMC 100NF 10% 50V X7R	CS7104R-0805K
C47	TANT CAP 10UF 10V CASE B	CS3106R-CASBK
C48	TANT CAP 10UF 10V CASE B	CS3106R-CASBK
C49	CAP CRMC 100NF 10% 50V X7R	CS7104R-0805K
C50	CAP CRMC 220PF 5% 100V NPO	CS1221R-0805J
C51	CAP CRMC 100NF 10% 50V X7R	CS7104R-0805K
C52	CAP CRMC 100NF 10% 50V X7R	CS7104R-0805K
C53	CAP CRMC 220PF 5% 100V NPO	CS1221R-0805J
C54	CAP CRMC 1N5 5% 50V COG	CS1152R-0805J
C56	CAP CRMC 1N5 5% 50V COG	CS1152R-0805J
C57	CAP CRMC 100NF 10% 50V X7R	CS7104R-0805K
C58	CAP CRMC 100NF 10% 50V X7R	CS7104R-0805K
C59	CAP CRMC 100NF 10% 50V X7R	CS7104R-0805K
C60	CAP CRMC 100NF 10% 50V X7R	CS7104R-0805K
C61	CAP CRMC 100NF 10% 50V X7R	CS7104R-0805K
C62	CAP CRMC 100NF 10% 50V X7R	CS7104R-0805K
C63	CAP CRMC 100NF 10% 50V X7R	CS7104R-0805K
C64	CAP CRMC 100NF 10% 50V X7R	CS7104R-0805K
C65	CAP CRMC 100NF 10% 50V X7R	CS7104R-0805K
C66	CAP CRMC 100NF 10% 50V X7R	CS7104R-0805K
C67	CAP CRMC 100NF 10% 50V X7R	CS7104R-0805K
C68	CAP CRMC 100NF 10% 50V X7R	CS7104R-0805K
C69	CAP CRMC 100NF 10% 50V X7R	CS7104R-0805K
C70	CAP CRMC 100NF 10% 50V X7R	CS7104R-0805K
C71	CAP CRMC 100NF 10% 50V X7R	CS7104R-0805K
C72	CAP CRMC 220PF 5% 100V NPO	CS1221R-0805J
C73	CAP CRMC 220PF 5% 100V NPO	CS1221R-0805J
C74	CAP CRMC 1N5 5% 50V COG	CS1152R-0805J
C75	CAP CRMC 1N5 5% 50V COG	CS1152R-0805J
C84	CAP CRMC 100NF 10% 50V X7R	CS7104R-0805K
C85	CAP CRMC 100NF 10% 50V X7R	CS7104R-0805K
C87	TANT CAP 10UF 10V CASE B	CS3106R-CASBK
C88	TANT CAP 10UF 10V CASE B	CS3106R-CASBK
C93	CAP CRMC 33PF 5% 50V NPO	CS1330R-0805J
C94	CAP CRMC 33PF 5% 50V NPO	CS1330R-0805J
C97	CAP CRMC 33PF 5% 50V NPO	CS1330R-0805J
C98	CAP CRMC 33PF 5% 50V NPO	CS1330R-0805J
C103	CAP CRMC 100NF 10% 50V X7R	CS7104R-0805K
C104	CAP CRMC 100NF 10% 50V X7R	CS7104R-0805K
C105	CAP CRMC 100NF 10% 50V X7R	CS7104R-0805K
C106	CAP CRMC 100NF 10% 50V X7R	CS7104R-0805K
C107	TANT CAP 10UF 10V CASE B	CS3106R-CASBK
C108	TANT CAP 10UF 10V CASE B	CS3106R-CASBK
C109	CAP CRMC 220PF 5% 100V NPO	CS1221R-0805J
C110	CAP CRMC 220PF 5% 100V NPO	CS1221R-0805J
C119	CAP CRMC 1N5 5% 50V COG	CS1152R-0805J
C120	CAP CRMC 1N5 5% 50V COG	CS1152R-0805J
C121	CAP CRMC 220PF 5% 100V NPO	CS1221R-0805J
C122	CAP CRMC 220PF 5% 100V NPO	CS1221R-0805J
C123	CAP CRMC 1N5 5% 50V COG	CS1152R-0805J
C124	CAP CRMC 1N5 5% 50V COG	CS1152R-0805J
C127	CAP CRMC 100NF 10% 50V X7R	CS7104R-0805K
C138	CAP CRMC 33PF 5% 50V NPO	CS1330R-0805J
C139	CAP CRMC 33PF 5% 50V NPO	CS1330R-0805J
C142	CAP CRMC 33PF 5% 50V NPO	CS1330R-0805J
C143	CAP CRMC 33PF 5% 50V NPO	CS1330R-0805J
C148	CAP CRMC 100NF 10% 50V X7R	CS7104R-0805K
C149	CAP CRMC 100NF 10% 50V X7R	CS7104R-0805K
C150	CAP CRMC 100NF 10% 50V X7R	CS7104R-0805K
C151	CAP CRMC 100NF 10% 50V X7R	CS7104R-0805K
C152	TANT CAP 10UF 10V CASE B	CS3106R-CASBK
C153	TANT CAP 10UF 10V CASE B	CS3106R-CASBK
C154	CAP CRMC 100NF 10% 50V X7R	CS7104R-0805K
C155	CAP CRMC 220PF 5% 100V NPO	CS1221R-0805J
C156	CAP CRMC 220PF 5% 100V NPO	CS1221R-0805J
C157	CAP CRMC 1N5 5% 50V COG	CS1152R-0805J
C158	CAP CRMC 1N5 5% 50V COG	CS1152R-0805J
C159	CAP CRMC 220PF 5% 100V NPO	CS1221R-0805J
C160	CAP CRMC 220PF 5% 100V NPO	CS1221R-0805J
C161	CAP CRMC 1N5 5% 50V COG	CS1152R-0805J

C162	CAP CRMC 1N5 5% 50V COG	CS1152R-0805J
C175	CAP CRMC 33PF 5% 50V NPO	CS1330R-0805J
C176	CAP CRMC 33PF 5% 50V NPO	CS1330R-0805J
C179	CAP CRMC 33PF 5% 50V NPO	CS1330R-0805J
C180	CAP CRMC 33PF 5% 50V NPO	CS1330R-0805J
C185	CAP CRMC 100NF 10% 50V X7R	CS7104R-0805K
C186	CAP CRMC 100NF 10% 50V X7R	CS7104R-0805K
C187	CAP CRMC 100NF 10% 50V X7R	CS7104R-0805K
C188	CAP CRMC 100NF 10% 50V X7R	CS7104R-0805K
C189	TANT CAP 10UF 10V CASE B	CS3106R-CASBK
C190	TANT CAP 10UF 10V CASE B	CS3106R-CASBK
C197	CAP CRMC 100NF 10% 50V X7R	CS7104R-0805K
C198	CAP CRMC 100NF 10% 50V X7R	CS7104R-0805K
C201	CAP CRMC 100NF 10% 50V X7R	CS7104R-0805K
C202	CAP CRMC 100NF 10% 50V X7R	CS7104R-0805K
C203	CAP CRMC 100NF 10% 50V X7R	CS7104R-0805K
C204	CAP CRMC 100NF 10% 50V X7R	CS7104R-0805K
C205	TANT CAP 10UF 10V CASE B	CS3106R-CASBK
C206	CAP CRMC 10NF 10% 50V X7R	CS7103R-0805K
C207	CAP CRMC 10NF 10% 50V X7R	CS7103R-0805K
D1	DIODE SURFACE MOUNT BAS16	BS0001R-SOT23
D2	BAV70 SM DUAL DIODE COM CATH	BS0013R-SOT23
D3	BAV70 SM DUAL DIODE COM CATH	BS0013R-SOT23
D4	BAV70 SM DUAL DIODE COM CATH	BS0013R-SOT23
D5	BAV70 SM DUAL DIODE COM CATH	BS0013R-SOT23
D7	BAV70 SM DUAL DIODE COM CATH	BS0013R-SOT23
D8	BAV70 SM DUAL DIODE COM CATH	BS0013R-SOT23
D9	BAV70 SM DUAL DIODE COM CATH	BS0013R-SOT23
D10	BAV70 SM DUAL DIODE COM CATH	BS0013R-SOT23
IC1	74HC165 SM 8BIT PISO SHFT RG	BS2047R
IC2	74HC165 SM 8BIT PISO SHFT RG	BS2047R
IC3	74HC14 SM HEX INV SCHMT TRG	BS2010R
IC4	74HC32 SM QD 2 I/P OR	BS2015R-SO14
IC5	74VHCT245A OCT BUS TXR TSSOP20	BS97245R-TSSOP
IC7	74VHCT245A OCT BUS TXR TSSOP20	BS97245R-TSSOP
IC8	74VHC244 OCT BUFFER TSSOP20	BS97244R-TSSOP
IC9	74HC74 SM DL D F/F SR+TRG	BS2019R
IC10	74VHCT138A 3-8 DEMUX TSSOP 16	BS97138R-TSSOP
IC11	74HC86 SM QD 2 I/P EX-OP	BS2024R
IC12	74HC14 SM HEX INV SCHMT TRG	BS2010R
IC13	74HC08 SM QD 2 I/P AND	BS2007R
IC16	AK4524 24-BIT AUDIO CODEC	BS9220R-VSOP28
IC17	NE5532 SM DUAL OP AMP	BS7009R-SO8
IC18	DRV134 BAL LINE DRIVER SM	BS7014M-SO16
IC19	DRV134 BAL LINE DRIVER SM	BS7014M-SO16
IC20	TL072CD SM DUAL OP AMP	BS7001R-SO8
IC21	AK4524 24-BIT AUDIO CODEC	BS9220R-VSOP28
IC22	NE5532 SM DUAL OP AMP	BS7009R-SO8
IC23	DRV134 BAL LINE DRIVER SM	BS7014M-SO16
IC24	DRV134 BAL LINE DRIVER SM	BS7014M-SO16
IC25	TL072CD SM DUAL OP AMP	BS7001R-SO8
IC26	AK4524 24-BIT AUDIO CODEC	BS9220R-VSOP28
IC27	NE5532 SM DUAL OP AMP	BS7009R-SO8
IC28	DRV134 BAL LINE DRIVER SM	BS7014M-SO16
IC29	DRV134 BAL LINE DRIVER SM	BS7014M-SO16
IC30	TL072CD SM DUAL OP AMP	BS7001R-SO8
IC31	AK4524 24-BIT AUDIO CODEC	BS9220R-VSOP28
IC32	NE5532 SM DUAL OP AMP	BS7009R-SO8
IC33	DRV134 BAL LINE DRIVER SM	BS7014M-SO16
IC34	DRV134 BAL LINE DRIVER SM	BS7014M-SO16
IC35	TL072CD SM DUAL OP AMP	BS7001R-SO8
IC36	74VHC244 OCT BUFFER TSSOP20	BS97244R-TSSOP
IC38	74HC259 SM 8BIT ADRSBLE LTCH	BS2073R
IC39	74VHCT138A 3-8 DEMUX TSSOP 16	BS97138R-TSSOP
R1	SM0805 RES 11K 1% 0.1W T200	AS0113R-0805F
R2	SM0805 RES 0R 1% 0.1W T200	AS0000R-0805F
R3	SM0805 RES 10K 1% 0.1W T200	AS0103R-0805F
R4	SM0805 RES 100K 1% 0.1W T200	AS0104R-0805F
R5	SM0805 RES 100R 1% 0.1W T200	AS0101R-0805F
R6	SM0805 RES 3K6 1% 0.1W T200	AS0362R-0805F
R7	SM0805 RES 10K 1% 0.1W T200	AS0103R-0805F
R25	SM0805 RES 10K 1% 0.1W T200	AS0103R-0805F
R26	SM0805 RES 100K 1% 0.1W T200	AS0104R-0805F

R27	SM0805 RES 100K 1% 0.1W T200	AS0104R-0805F
R28	SM0805 RES 100K 1% 0.1W T200	AS0104R-0805F
R29	SM0805 RES 100K 1% 0.1W T200	AS0104R-0805F
R30	SM0805 RES 10K 1% 0.1W T200	AS0103R-0805F
R32	SM0805 RES 10K 1% 0.1W T200	AS0103R-0805F
R33	SM0805 RES 10K 1% 0.1W T200	AS0103R-0805F
R34	SM0805 RES 100K 1% 0.1W T200	AS0104R-0805F
R35	SM0805 RES 100K 1% 0.1W T200	AS0104R-0805F
R36	SM0805 RES 100K 1% 0.1W T200	AS0104R-0805F
R37	SM0805 RES 100K 1% 0.1W T200	AS0104R-0805F
R39	SM0805 RES 1K 1% 0.1W T200	AS0102R-0805F
R40	SM0805 RES 1K 1% 0.1W T200	AS0102R-0805F
R41	SM0805 RES 1K 1% 0.1W T200	AS0102R-0805F
R42	SM0805 RES 1K 1% 0.1W T200	AS0102R-0805F
R50	SM0805 RES 10K 1% 0.1W T200	AS0103R-0805F
R55	SM0805 RES 5K6 1% 0.1W T200	AS0562R-0805F
R56	SM0805 RES 5K6 1% 0.1W T200	AS0562R-0805F
R57	SM0805 RES 3K6 1% 0.1W T200	AS0362R-0805F
R58	SM0805 RES 3K6 1% 0.1W T200	AS0362R-0805F
R59	SM0805 RES 11K 1% 0.1W T200	AS0113R-0805F
R60	SM0805 RES 11K 1% 0.1W T200	AS0113R-0805F
R61	SM0805 RES 5K6 1% 0.1W T200	AS0562R-0805F
R62	SM0805 RES 5K6 1% 0.1W T200	AS0562R-0805F
R63	SM0805 RES 3K6 1% 0.1W T200	AS0362R-0805F
R64	SM0805 RES 3K6 1% 0.1W T200	AS0362R-0805F
R65	SM0805 RES 11K 1% 0.1W T200	AS0113R-0805F
R66	SM0805 RES 11K 1% 0.1W T200	AS0113R-0805F
R71	SM0805 RES 100K 1% 0.1W T200	AS0104R-0805F
R72	SM0805 RES 100K 1% 0.1W T200	AS0104R-0805F
R73	SM0805 RES 10K 1% 0.1W T200	AS0103R-0805F
R74	SM0805 RES 10K 1% 0.1W T200	AS0103R-0805F
R75	SM0805 RES 11K 1% 0.1W T200	AS0113R-0805F
R76	SM0805 RES 11K 1% 0.1W T200	AS0113R-0805F
R77	SM0805 RES 100K 1% 0.1W T200	AS0104R-0805F
R78	SM0805 RES 100K 1% 0.1W T200	AS0104R-0805F
R79	SM0805 RES 10K 1% 0.1W T200	AS0103R-0805F
R80	SM0805 RES 10K 1% 0.1W T200	AS0103R-0805F
R81	SM0805 RES 11K 1% 0.1W T200	AS0113R-0805F
R82	SM0805 RES 11K 1% 0.1W T200	AS0113R-0805F
R83	SM0805 RES 2K 1% 0.1W T200	AS0202R-0805F
R84	SM0805 RES 2K 1% 0.1W T200	AS0202R-0805F
R85	SM0805 RES 300R 1% 0.1W T200	AS0301R-0805F
R86	SM0805 RES 300R 1% 0.1W T200	AS0301R-0805F
R87	SM0805 RES 100K 1% 0.1W T200	AS0104R-0805F
R88	SM0805 RES 100K 1% 0.1W T200	AS0104R-0805F
R89	SM0805 RES 100K 1% 0.1W T200	AS0104R-0805F
R90	SM0805 RES 100K 1% 0.1W T200	AS0104R-0805F
R91	SM0805 RES 4R7 1% 0.1W T200	AS0047R-0805F
R96	SM0805 RES 5K6 1% 0.1W T200	AS0562R-0805F
R97	SM0805 RES 5K6 1% 0.1W T200	AS0562R-0805F
R98	SM0805 RES 3K6 1% 0.1W T200	AS0362R-0805F
R99	SM0805 RES 3K6 1% 0.1W T200	AS0362R-0805F
R100	SM0805 RES 11K 1% 0.1W T200	AS0113R-0805F
R101	SM0805 RES 100K 1% 0.1W T200	AS0104R-0805F
R102	SM0805 RES 11K 1% 0.1W T200	AS0113R-0805F
R103	SM0805 RES 5K6 1% 0.1W T200	AS0562R-0805F
R104	SM0805 RES 5K6 1% 0.1W T200	AS0562R-0805F
R105	SM0805 RES 3K6 1% 0.1W T200	AS0362R-0805F
R106	SM0805 RES 3K6 1% 0.1W T200	AS0362R-0805F
R107	SM0805 RES 11K 1% 0.1W T200	AS0113R-0805F
R108	SM0805 RES 11K 1% 0.1W T200	AS0113R-0805F
R113	SM0805 RES 100K 1% 0.1W T200	AS0104R-0805F
R114	SM0805 RES 100K 1% 0.1W T200	AS0104R-0805F
R115	SM0805 RES 10K 1% 0.1W T200	AS0103R-0805F
R116	SM0805 RES 10K 1% 0.1W T200	AS0103R-0805F
R117	SM0805 RES 11K 1% 0.1W T200	AS0113R-0805F
R118	SM0805 RES 11K 1% 0.1W T200	AS0113R-0805F
R119	SM0805 RES 100K 1% 0.1W T200	AS0104R-0805F
R120	SM0805 RES 100K 1% 0.1W T200	AS0104R-0805F
R121	SM0805 RES 10K 1% 0.1W T200	AS0103R-0805F
R122	SM0805 RES 10K 1% 0.1W T200	AS0103R-0805F
R123	SM0805 RES 11K 1% 0.1W T200	AS0113R-0805F
R124	SM0805 RES 11K 1% 0.1W T200	AS0113R-0805F

R125	SM0805 RES 2K 1% 0.1W T200	AS0202R-0805F
R126	SM0805 RES 2K 1% 0.1W T200	AS0202R-0805F
R127	SM0805 RES 300R 1% 0.1W T200	AS0301R-0805F
R128	SM0805 RES 300R 1% 0.1W T200	AS0301R-0805F
R129	SM0805 RES 100K 1% 0.1W T200	AS0104R-0805F
R130	SM0805 RES 100K 1% 0.1W T200	AS0104R-0805F
R131	SM0805 RES 100K 1% 0.1W T200	AS0104R-0805F
R132	SM0805 RES 100K 1% 0.1W T200	AS0104R-0805F
R133	SM0805 RES 4R7 1% 0.1W T200	AS0047R-0805F
R135	SM0805 RES 5K6 1% 0.1W T200	AS0562R-0805F
R136	SM0805 RES 5K6 1% 0.1W T200	AS0562R-0805F
R137	SM0805 RES 3K6 1% 0.1W T200	AS0362R-0805F
R138	SM0805 RES 3K6 1% 0.1W T200	AS0362R-0805F
R139	SM0805 RES 11K 1% 0.1W T200	AS0113R-0805F
R140	SM0805 RES 11K 1% 0.1W T200	AS0113R-0805F
R141	SM0805 RES 5K6 1% 0.1W T200	AS0562R-0805F
R142	SM0805 RES 5K6 1% 0.1W T200	AS0562R-0805F
R143	SM0805 RES 3K6 1% 0.1W T200	AS0362R-0805F
R144	SM0805 RES 3K6 1% 0.1W T200	AS0362R-0805F
R145	SM0805 RES 11K 1% 0.1W T200	AS0113R-0805F
R146	SM0805 RES 11K 1% 0.1W T200	AS0113R-0805F
R151	SM0805 RES 100K 1% 0.1W T200	AS0104R-0805F
R152	SM0805 RES 100K 1% 0.1W T200	AS0104R-0805F
R153	SM0805 RES 10K 1% 0.1W T200	AS0103R-0805F
R154	SM0805 RES 10K 1% 0.1W T200	AS0103R-0805F
R155	SM0805 RES 11K 1% 0.1W T200	AS0113R-0805F
R156	SM0805 RES 11K 1% 0.1W T200	AS0113R-0805F
R157	SM0805 RES 100K 1% 0.1W T200	AS0104R-0805F
R158	SM0805 RES 100K 1% 0.1W T200	AS0104R-0805F
R159	SM0805 RES 10K 1% 0.1W T200	AS0103R-0805F
R160	SM0805 RES 10K 1% 0.1W T200	AS0103R-0805F
R161	SM0805 RES 11K 1% 0.1W T200	AS0113R-0805F
R162	SM0805 RES 11K 1% 0.1W T200	AS0113R-0805F
R163	SM0805 RES 2K 1% 0.1W T200	AS0202R-0805F
R164	SM0805 RES 2K 1% 0.1W T200	AS0202R-0805F
R165	SM0805 RES 300R 1% 0.1W T200	AS0301R-0805F
R166	SM0805 RES 300R 1% 0.1W T200	AS0301R-0805F
R167	SM0805 RES 100K 1% 0.1W T200	AS0104R-0805F
R168	SM0805 RES 100K 1% 0.1W T200	AS0104R-0805F
R169	SM0805 RES 100K 1% 0.1W T200	AS0104R-0805F
R170	SM0805 RES 100K 1% 0.1W T200	AS0104R-0805F
R171	SM0805 RES 4R7 1% 0.1W T200	AS0047R-0805F
R173	SM0805 RES 5K6 1% 0.1W T200	AS0562R-0805F
R174	SM0805 RES 5K6 1% 0.1W T200	AS0562R-0805F
R175	SM0805 RES 3K6 1% 0.1W T200	AS0362R-0805F
R176	SM0805 RES 3K6 1% 0.1W T200	AS0362R-0805F
R177	SM0805 RES 11K 1% 0.1W T200	AS0113R-0805F
R178	SM0805 RES 11K 1% 0.1W T200	AS0113R-0805F
R179	SM0805 RES 5K6 1% 0.1W T200	AS0562R-0805F
R180	SM0805 RES 5K6 1% 0.1W T200	AS0562R-0805F
R181	SM0805 RES 3K6 1% 0.1W T200	AS0362R-0805F
R182	SM0805 RES 3K6 1% 0.1W T200	AS0362R-0805F
R183	SM0805 RES 11K 1% 0.1W T200	AS0113R-0805F
R184	SM0805 RES 11K 1% 0.1W T200	AS0113R-0805F
R189	SM0805 RES 100K 1% 0.1W T200	AS0104R-0805F
R190	SM0805 RES 100K 1% 0.1W T200	AS0104R-0805F
R191	SM0805 RES 10K 1% 0.1W T200	AS0103R-0805F
R192	SM0805 RES 10K 1% 0.1W T200	AS0103R-0805F
R193	SM0805 RES 11K 1% 0.1W T200	AS0113R-0805F
R194	SM0805 RES 11K 1% 0.1W T200	AS0113R-0805F
R195	SM0805 RES 100K 1% 0.1W T200	AS0104R-0805F
R196	SM0805 RES 100K 1% 0.1W T200	AS0104R-0805F
R197	SM0805 RES 10K 1% 0.1W T200	AS0103R-0805F
R198	SM0805 RES 10K 1% 0.1W T200	AS0103R-0805F
R199	SM0805 RES 11K 1% 0.1W T200	AS0113R-0805F
R200	SM0805 RES 11K 1% 0.1W T200	AS0113R-0805F
R201	SM0805 RES 2K 1% 0.1W T200	AS0202R-0805F
R202	SM0805 RES 2K 1% 0.1W T200	AS0202R-0805F
R203	SM0805 RES 300R 1% 0.1W T200	AS0301R-0805F
R204	SM0805 RES 300R 1% 0.1W T200	AS0301R-0805F
R205	SM0805 RES 100K 1% 0.1W T200	AS0104R-0805F
R206	SM0805 RES 100K 1% 0.1W T200	AS0104R-0805F
R207	SM0805 RES 100K 1% 0.1W T200	AS0104R-0805F

R208	SM0805 RES 100K 1% 0.1W T200	AS0104R-0805F
R209	SM0805 RES 4R7 1% 0.1W T200	AS0047R-0805F
R221	SM0805 RES 100K 1% 0.1W T200	AS0104R-0805F
RN1	SM0603 4-RES 100K 5% 62MW T200	AS7104R-0603TF4
RN2	SM0603 4-RES 100K 5% 62MW T200	AS7104R-0603TF4
RN3	SM0603 4-RES 22R 5% 62MW T200	AS7220R-0603TF4
RN4	SM0603 4-RES 22R 5% 62MW T200	AS7220R-0603TF4
RN5	SM0603 4-RES 47R 5% 32MW T200	AS7470R-0603TF4
RN6	SM0603 4-RES 47R 5% 32MW T200	AS7470R-0603TF4
RN7	SM0603 4-RES 47R 5% 32MW T200	AS7470R-0603TF4
RN8	SM0603 4-RES 47R 5% 32MW T200	AS7470R-0603TF4
RN9	SM0603 4-RES 47R 5% 32MW T200	AS7470R-0603TF4
RN10	SM0603 4-RES 22R 5% 62MW T200	AS7220R-0603TF4
RN11	SM0603 4-RES 100K 5% 62MW T200	AS7104R-0603TF4
TR5	NPN TRANS BCW72	BS0502R-SOT23
TR6	NPN TRANS BCW72	BS0502R-SOT23
TR7	NPN TRANS BCW72	BS0502R-SOT23
TR8	NPN TRANS BCW72	BS0502R-SOT23
TR9	NPN TRANS BCW72	BS0502R-SOT23

RMID ANALOGUE MO/P PCB SM ASSY**RA4206A-SM**

Ident	Description	Part Number
pcb	RMID ANALOGUE O/P PCB	SC4206-01
C18	CAP CRMC 100NF 10% 50V X7R	CS7104R-0805K
C21	CAP CRMC 100NF 10% 50V X7R	CS7104R-0805K
C23	CAP CRMC 100NF 10% 50V X7R	CS7104R-0805K
C25	CAP CRMC 100NF 10% 50V X7R	CS7104R-0805K
C26	CAP CRMC 100NF 10% 50V X7R	CS7104R-0805K
C27	CAP CRMC 100NF 10% 50V X7R	CS7104R-0805K
C28	CAP CRMC 100NF 10% 50V X7R	CS7104R-0805K
C29	CAP CRMC 100NF 10% 50V X7R	CS7104R-0805K
C30	CAP CRMC 100NF 10% 50V X7R	CS7104R-0805K
C31	CAP CRMC 100NF 10% 50V X7R	CS7104R-0805K
C32	CAP CRMC 100NF 10% 50V X7R	CS7104R-0805K
C33	CAP CRMC 100NF 10% 50V X7R	CS7104R-0805K
C34	CAP CRMC 100NF 10% 50V X7R	CS7104R-0805K
C35	CAP CRMC 100NF 10% 50V X7R	CS7104R-0805K
C36	CAP CRMC 100NF 10% 50V X7R	CS7104R-0805K
C37	CAP CRMC 100NF 10% 50V X7R	CS7104R-0805K
C38	CAP CRMC 100NF 10% 50V X7R	CS7104R-0805K
C39	CAP CRMC 100NF 10% 50V X7R	CS7104R-0805K
C40	CAP CRMC 100NF 10% 50V X7R	CS7104R-0805K
C41	CAP CRMC 100NF 10% 50V X7R	CS7104R-0805K
C42	CAP CRMC 100NF 10% 50V X7R	CS7104R-0805K
C43	CAP CRMC 100NF 10% 50V X7R	CS7104R-0805K
C44	CAP CRMC 100NF 10% 50V X7R	CS7104R-0805K
C45	CAP CRMC 100NF 10% 50V X7R	CS7104R-0805K
C46	CAP CRMC 100NF 10% 50V X7R	CS7104R-0805K
C47	CAP CRMC 100NF 10% 50V X7R	CS7104R-0805K
C48	CAP CRMC 100NF 10% 50V X7R	CS7104R-0805K
C49	CAP CRMC 100NF 10% 50V X7R	CS7104R-0805K
C50	TANT CAP 10UF 10V CASE B	CS3106R-CASBK
C51	CAP CRMC 100NF 10% 50V X7R	CS7104R-0805K
C52	CAP CRMC 100NF 10% 50V X7R	CS7104R-0805K
C53	CAP CRMC 10NF 10% 50V X7R	CS7103R-0805K
C54	CAP CRMC 10NF 10% 50V X7R	CS7103R-0805K
C56	CAP CRMC 100NF 10% 50V X7R	CS7104R-0805K
C57	CAP CRMC 100NF 10% 50V X7R	CS7104R-0805K
C58	CAP CRMC 100NF 10% 50V X7R	CS7104R-0805K
C59	CAP CRMC 100NF 10% 50V X7R	CS7104R-0805K
C60	CAP CRMC 100NF 10% 50V X7R	CS7104R-0805K
C61	CAP CRMC 100NF 10% 50V X7R	CS7104R-0805K
C62	CAP CRMC 100NF 10% 50V X7R	CS7104R-0805K
C63	CAP CRMC 100NF 10% 50V X7R	CS7104R-0805K
C64	TANT CAP 10UF 10V CASE B	CS3106R-CASBK
C65	TANT CAP 10UF 10V CASE B	CS3106R-CASBK
C66	TANT CAP 10UF 10V CASE B	CS3106R-CASBK
C67	TANT CAP 10UF 10V CASE B	CS3106R-CASBK
C68	TANT CAP 10UF 10V CASE B	CS3106R-CASBK
C69	TANT CAP 10UF 10V CASE B	CS3106R-CASBK
C70	TANT CAP 10UF 10V CASE B	CS3106R-CASBK
C71	TANT CAP 10UF 10V CASE B	CS3106R-CASBK

C72	TANT CAP 10UF 10V CASE B	CS3106R-CASBK
C73	TANT CAP 10UF 10V CASE B	CS3106R-CASBK
C74	TANT CAP 10UF 10V CASE B	CS3106R-CASBK
C75	TANT CAP 10UF 10V CASE B	CS3106R-CASBK
C76	TANT CAP 10UF 10V CASE B	CS3106R-CASBK
C77	TANT CAP 10UF 10V CASE B	CS3106R-CASBK
C78	TANT CAP 10UF 10V CASE B	CS3106R-CASBK
C79	TANT CAP 10UF 10V CASE B	CS3106R-CASBK
C80	TANT CAP 10UF 10V CASE B	CS3106R-CASBK
C81	TANT CAP 10UF 10V CASE B	CS3106R-CASBK
C82	TANT CAP 10UF 10V CASE B	CS3106R-CASBK
C83	TANT CAP 10UF 10V CASE B	CS3106R-CASBK
C84	CAP CRMC 100NF 10% 50V X7R	CS7104R-0805K
C87	TANT CAP 10UF 10V CASE B	CS3106R-CASBK
C88	TANT CAP 10UF 10V CASE B	CS3106R-CASBK
C89	CAP CRMC 3N3 5% 16V NPO	CSI332R-0805J
C90	CAP CRMC 3N3 5% 16V NPO	CSI332R-0805J
C91	CAP CRMC 3N3 5% 16V NPO	CSI332R-0805J
C92	CAP CRMC 3N3 5% 16V NPO	CSI332R-0805J
C93	CAP CRMC 3N3 5% 16V NPO	CSI332R-0805J
C94	CAP CRMC 3N3 5% 16V NPO	CSI332R-0805J
C95	CAP CRMC 3N3 5% 16V NPO	CSI332R-0805J
C96	CAP CRMC 3N3 5% 16V NPO	CSI332R-0805J
C97	CAP CRMC 3N3 5% 16V NPO	CSI332R-0805J
C98	CAP CRMC 3N3 5% 16V NPO	CSI332R-0805J
C99	CAP CRMC 470PF 5% 50V	CSI471R-0805J
C100	CAP CRMC 470PF 5% 50V	CSI471R-0805J
C101	CAP CRMC 470PF 5% 50V	CSI471R-0805J
C102	CAP CRMC 470PF 5% 50V	CSI471R-0805J
C103	CAP CRMC 470PF 5% 50V	CSI471R-0805J
C104	CAP CRMC 470PF 5% 50V	CSI471R-0805J
C105	CAP CRMC 470PF 5% 50V	CSI471R-0805J
C106	CAP CRMC 470PF 5% 50V	CSI471R-0805J
C107	CAP CRMC 470PF 5% 50V	CSI471R-0805J
C108	CAP CRMC 470PF 5% 50V	CSI471R-0805J
C133	CAP CRMC 2N2 5% 50V NPO	CSI222R-0805J
C134	CAP CRMC 2N2 5% 50V NPO	CSI222R-0805J
C135	CAP CRMC 2N2 5% 50V NPO	CSI222R-0805J
C136	CAP CRMC 2N2 5% 50V NPO	CSI222R-0805J
C137	CAP CRMC 2N2 5% 50V NPO	CSI222R-0805J
C138	CAP CRMC 2N2 5% 50V NPO	CSI222R-0805J
C139	CAP CRMC 2N2 5% 50V NPO	CSI222R-0805J
C140	CAP CRMC 2N2 5% 50V NPO	CSI222R-0805J
C143	CAP CRMC 220PF 5% 100V NPO	CSI221R-0805J
C144	CAP CRMC 220PF 5% 100V NPO	CSI221R-0805J
C145	CAP CRMC 220PF 5% 100V NPO	CSI221R-0805J
C146	CAP CRMC 220PF 5% 100V NPO	CSI221R-0805J
C147	CAP CRMC 220PF 5% 100V NPO	CSI221R-0805J
C148	CAP CRMC 220PF 5% 100V NPO	CSI221R-0805J
C149	CAP CRMC 220PF 5% 100V NPO	CSI221R-0805J
C150	CAP CRMC 220PF 5% 100V NPO	CSI221R-0805J
D1	BAV70 SM DUAL DIODE COM CATH	BS0013R-SOT23
D5	BAV70 SM DUAL DIODE COM CATH	BS0013R-SOT23
D6	BAV70 SM DUAL DIODE COM CATH	BS0013R-SOT23
D7	BAV70 SM DUAL DIODE COM CATH	BS0013R-SOT23
D8	BAV70 SM DUAL DIODE COM CATH	BS0013R-SOT23
D9	BAV70 SM DUAL DIODE COM CATH	BS0013R-SOT23
D10	BAV70 SM DUAL DIODE COM CATH	BS0013R-SOT23
D11	BAV70 SM DUAL DIODE COM CATH	BS0013R-SOT23
IC1	74HC165 SM 8BIT PISO SHFT RG	BS2047R
IC2	74HC32 SM QD 2 I/P OR	BS2015R-SO14
IC3	74HC14 SM HEX INV SCHMT TRG	BS2010R
IC4	AK4393 24BIT STEREO DAC	BS9198R-VSOP28
IC5	AK4393 24BIT STEREO DAC	BS9198R-VSOP28
IC6	AK4393 24BIT STEREO DAC	BS9198R-VSOP28
IC7	AK4393 24BIT STEREO DAC	BS9198R-VSOP28
IC8	AK4393 24BIT STEREO DAC	BS9198R-VSOP28
IC9	NE5532 SM DUAL OP AMP	BS7009R-SO8
IC10	NE5532 SM DUAL OP AMP	BS7009R-SO8
IC11	NE5532 SM DUAL OP AMP	BS7009R-SO8
IC12	DRV134 BAL LINE DRIVER SM	BS7014M-SO16
IC13	DRV134 BAL LINE DRIVER SM	BS7014M-SO16
IC14	DRV134 BAL LINE DRIVER SM	BS7014M-SO16

IC15	DRV134 BAL LINE DRIVER SM	BS7014M-SO16
IC16	NE5532 SM DUAL OP AMP	BS7009R-SO8
IC17	NE5532 SM DUAL OP AMP	BS7009R-SO8
IC18	DRV134 BAL LINE DRIVER SM	BS7014M-SO16
IC19	74VHC244 OCT BUFFER TSSOP20	BS97244R-TSSOP
IC20	74VHC244 OCT BUFFER TSSOP20	BS97244R-TSSOP
IC21	74VHCT245A OCT BUS TXR TSSOP20	BS97245R-TSSOP
IC22	74HC165 SM 8BIT PISO SHFT RG	BS2047R
OPTI	SM0805 RES 10R 1% 0.1W T200	AS0100R-0805F
R1	SM0805 RES 11K 1% 0.1W T200	AS0113R-0805F
R2	SM0805 RES 100R 1% 0.1W T200	AS0101R-0805F
R6	SM0805 RES 3K6 1% 0.1W T200	AS0362R-0805F
R17	SM0805 RES 22R 1% 0.1W T200	AS0220R-0805F
R18	SM0805 RES 22R 1% 0.1W T200	AS0220R-0805F
R19	SM0805 RES 22R 1% 0.1W T200	AS0220R-0805F
R20	SM0805 RES 47R 1% 0.1W T200	AS0470R-0805F
R25	SM0805 RES 10K 1% 0.1W T200	AS0103R-0805F
R26	SM0805 RES 10K 1% 0.1W T200	AS0103R-0805F
R27	SM0805 RES 10K 1% 0.1W T200	AS0103R-0805F
R28	SM0805 RES 10K 1% 0.1W T200	AS0103R-0805F
R29	SM0805 RES 10K 1% 0.1W T200	AS0103R-0805F
R30	SM0805 RES 10K 1% 0.1W T200	AS0103R-0805F
R31	SM0805 RES 10K 1% 0.1W T200	AS0103R-0805F
R32	SM0805 RES 10K 1% 0.1W T200	AS0103R-0805F
R33	SM0805 RES 10K 1% 0.1W T200	AS0103R-0805F
R34	SM0805 RES 100K 1% 0.1W T200	AS0104R-0805F
R35	SM0805 RES 100K 1% 0.1W T200	AS0104R-0805F
R36	SM0805 RES 10R 1% 0.1W T200	AS0100R-0805F
R41	SM0805 RES 10R 1% 0.1W T200	AS0100R-0805F
R46	SM0805 RES 10R 1% 0.1W T200	AS0100R-0805F
R49	SM0805 RES 10R 1% 0.1W T200	AS0100R-0805F
R52	SM0805 RES 10R 1% 0.1W T200	AS0100R-0805F
R55	SM0805 RES 2K2 1% 0.1W T200	AS0222R-0805F
R56	SM0805 RES 2K2 1% 0.1W T200	AS0222R-0805F
R57	SM0805 RES 2K2 1% 0.1W T200	AS0222R-0805F
R58	SM0805 RES 2K2 1% 0.1W T200	AS0222R-0805F
R59	SM0805 RES 2K2 1% 0.1W T200	AS0222R-0805F
R60	SM0805 RES 2K2 1% 0.1W T200	AS0222R-0805F
R61	SM0805 RES 2K2 1% 0.1W T200	AS0222R-0805F
R62	SM0805 RES 2K2 1% 0.1W T200	AS0222R-0805F
R63	SM0805 RES 2K2 1% 0.1W T200	AS0222R-0805F
R64	SM0805 RES 2K2 1% 0.1W T200	AS0222R-0805F
R65	SM0805 RES 1K5 1% 0.1W T200	AS0152R-0805F
R66	SM0805 RES 1K5 1% 0.1W T200	AS0152R-0805F
R67	SM0805 RES 1K5 1% 0.1W T200	AS0152R-0805F
R68	SM0805 RES 1K5 1% 0.1W T200	AS0152R-0805F
R69	SM0805 RES 1K5 1% 0.1W T200	AS0152R-0805F
R70	SM0805 RES 1K5 1% 0.1W T200	AS0152R-0805F
R71	SM0805 RES 1K5 1% 0.1W T200	AS0152R-0805F
R72	SM0805 RES 1K5 1% 0.1W T200	AS0152R-0805F
R73	SM0805 RES 1K5 1% 0.1W T200	AS0152R-0805F
R74	SM0805 RES 1K5 1% 0.1W T200	AS0152R-0805F
R75	SM0805 RES 4K7 1% 0.1W T200	AS0472R-0805F
R76	SM0805 RES 4K7 1% 0.1W T200	AS0472R-0805F
R77	SM0805 RES 4K7 1% 0.1W T200	AS0472R-0805F
R78	SM0805 RES 4K7 1% 0.1W T200	AS0472R-0805F
R79	SM0805 RES 4K7 1% 0.1W T200	AS0472R-0805F
R80	SM0805 RES 4K7 1% 0.1W T200	AS0472R-0805F
R81	SM0805 RES 4K7 1% 0.1W T200	AS0472R-0805F
R82	SM0805 RES 4K7 1% 0.1W T200	AS0472R-0805F
R83	SM0805 RES 4K7 1% 0.1W T200	AS0472R-0805F
R84	SM0805 RES 4K7 1% 0.1W T200	AS0472R-0805F
R85	SM0805 RES 100K 1% 0.1W T200	AS0104R-0805F
R86	SM0805 RES 100K 1% 0.1W T200	AS0104R-0805F
R87	SM0805 RES 100K 1% 0.1W T200	AS0104R-0805F
R88	SM0805 RES 100K 1% 0.1W T200	AS0104R-0805F
R89	SM0805 RES 100K 1% 0.1W T200	AS0104R-0805F
R90	SM0805 RES 100K 1% 0.1W T200	AS0104R-0805F
R91	SM0805 RES 100K 1% 0.1W T200	AS0104R-0805F
R92	SM0805 RES 100K 1% 0.1W T200	AS0104R-0805F
R93	SM0805 RES 100K 1% 0.1W T200	AS0104R-0805F
R94	SM0805 RES 100K 1% 0.1W T200	AS0104R-0805F
R95	SM0805 RES 100K 1% 0.1W T200	AS0104R-0805F

R96	SM0805 RES 100K 1% 0.1W T200	AS0104R-0805F
R99	SM0805 RES 100K 1% 0.1W T200	AS0104R-0805F
R100	SM0805 RES 100K 1% 0.1W T200	AS0104R-0805F
R101	SM0805 RES 100K 1% 0.1W T200	AS0104R-0805F
R102	SM0805 RES 47R 1% 0.1W T200	AS0470R-0805F
R103	SM0805 RES 47R 1% 0.1W T200	AS0470R-0805F
R104	SM0805 RES 47R 1% 0.1W T200	AS0470R-0805F
R105	SM0805 RES 47R 1% 0.1W T200	AS0470R-0805F
R108	SM0805 RES 2K4 1% 0.1W T200	AS0242R-0805F
R109	SM0805 RES 2K4 1% 0.1W T200	AS0242R-0805F
R110	SM0805 RES 2K4 1% 0.1W T200	AS0242R-0805F
R111	SM0805 RES 2K4 1% 0.1W T200	AS0242R-0805F
R112	SM0805 RES 2K4 1% 0.1W T200	AS0242R-0805F
R113	SM0805 RES 2K4 1% 0.1W T200	AS0242R-0805F
R114	SM0805 RES 2K4 1% 0.1W T200	AS0242R-0805F
R115	SM0805 RES 2K4 1% 0.1W T200	AS0242R-0805F
R118	SM0805 RES 2K 1% 0.1W T200	AS0202R-0805F
R119	SM0805 RES 2K 1% 0.1W T200	AS0202R-0805F
R120	SM0805 RES 2K 1% 0.1W T200	AS0202R-0805F
R121	SM0805 RES 2K 1% 0.1W T200	AS0202R-0805F
R122	SM0805 RES 2K 1% 0.1W T200	AS0202R-0805F
R123	SM0805 RES 2K 1% 0.1W T200	AS0202R-0805F
R124	SM0805 RES 2K 1% 0.1W T200	AS0202R-0805F
R125	SM0805 RES 2K 1% 0.1W T200	AS0202R-0805F
R126	SM0805 RES 0R 1% 0.1W T200	AS0000R-0805F
R127	SM0805 RES 0R 1% 0.1W T200	AS0000R-0805F
R128	SM0805 RES 10K 1% 0.1W T200	AS0103R-0805F
R129	SM0805 RES 10K 1% 0.1W T200	AS0103R-0805F
R130	SM0805 RES 10K 1% 0.1W T200	AS0103R-0805F
R131	SM0805 RES 10K 1% 0.1W T200	AS0103R-0805F
R132	SM0805 RES 10K 1% 0.1W T200	AS0103R-0805F
R133	SM0805 RES 10K 1% 0.1W T200	AS0103R-0805F
R134	SM0805 RES 10K 1% 0.1W T200	AS0103R-0805F
R135	SM0805 RES 10K 1% 0.1W T200	AS0103R-0805F
R136	SM0805 RES 0R 1% 0.1W T200	AS0000R-0805F
R137	SM0805 RES 0R 1% 0.1W T200	AS0000R-0805F
R138	SM0805 RES 10K 1% 0.1W T200	AS0103R-0805F
R139	SM0805 RES 10K 1% 0.1W T200	AS0103R-0805F
R140	SM0805 RES 100K 1% 0.1W T200	AS0104R-0805F
R141	SM0805 RES 100K 1% 0.1W T200	AS0104R-0805F
R142	SM0805 RES 100K 1% 0.1W T200	AS0104R-0805F
R143	SM0805 RES 100K 1% 0.1W T200	AS0104R-0805F
RN1	SM0603 4-RES 100K 5% 62MW T200	AS7104R-0603TF4
RN2	SM0603 4-RES 22R 5% 62MW T200	AS7220R-0603TF4
RN3	SM0603 4-RES 22R 5% 62MW T200	AS7220R-0603TF4
RN4	SM0603 4-RES 47R 5% 32MW T200	AS7470R-0603TF4

RMID H/PHN SUBCARD PCB SM ASSY

RA4207A-SM

Ident	Description	Part Number
pcb	RMID HEADPHONE SUB-CARD PCB	SC4207-01
C1	CAP CRMC 100NF 10% 50V X7R	CS7104R-0805K
C2	CAP CRMC 100NF 10% 50V X7R	CS7104R-0805K
C3	CAP CRMC 100NF 10% 50V X7R	CS7104R-0805K
C4	CAP CRMC 100NF 10% 50V X7R	CS7104R-0805K
C5	CAP CRMC 100NF 10% 50V X7R	CS7104R-0805K
C6	CAP CRMC 100NF 10% 50V X7R	CS7104R-0805K
C7	CAP CRMC 100NF 10% 50V X7R	CS7104R-0805K
C8	CAP CRMC 100NF 10% 50V X7R	CS7104R-0805K
C9	CAP CRMC 100NF 10% 50V X7R	CS7104R-0805K
C10	CAP CRMC 100NF 10% 50V X7R	CS7104R-0805K
C11	CAP CRMC 100NF 10% 50V X7R	CS7104R-0805K
C12	CAP CRMC 100NF 10% 50V X7R	CS7104R-0805K
C13	CAP CRMC 100NF 10% 50V X7R	CS7104R-0805K
C14	CAP CRMC 100NF 10% 50V X7R	CS7104R-0805K
C15	CAP CRMC 100NF 10% 50V X7R	CS7104R-0805K
C16	CAP CRMC 100NF 10% 50V X7R	CS7104R-0805K
C17	CAP CRMC 100NF 10% 50V X7R	CS7104R-0805K
C18	CAP CRMC 100NF 10% 50V X7R	CS7104R-0805K
C19	CAP CRMC 100NF 10% 50V X7R	CS7104R-0805K
C20	TANT CAP 10UF 10V CASE B	CS3106R-CASBK
C21	TANT CAP 10UF 10V CASE B	CS3106R-CASBK
C22	TANT CAP 10UF 10V CASE B	CS3106R-CASBK

C23	TANT CAP 10UF 10V CASE B	CS3106R-CASBK
C24	TANT CAP 10UF 10V CASE B	CS3106R-CASBK
C25	TANT CAP 10UF 10V CASE B	CS3106R-CASBK
C26	TANT CAP 10UF 10V CASE B	CS3106R-CASBK
C27	TANT CAP 10UF 10V CASE B	CS3106R-CASBK
C28	TANT CAP 10UF 10V CASE B	CS3106R-CASBK
C29	TANT CAP 10UF 10V CASE B	CS3106R-CASBK
C30	TANT CAP 10UF 10V CASE B	CS3106R-CASBK
C31	TANT CAP 10UF 10V CASE B	CS3106R-CASBK
C32	TANT CAP 10UF 10V CASE B	CS3106R-CASBK
C33	TANT CAP 10UF 10V CASE B	CS3106R-CASBK
C34	CAP CRMC 220PF 5% 100V NPO	CS1221R-0805J
C35	CAP CRMC 220PF 5% 100V NPO	CS1221R-0805J
C36	CAP CRMC 220PF 5% 100V NPO	CS1221R-0805J
C37	CAP CRMC 220PF 5% 100V NPO	CS1221R-0805J
C38	CAP CRMC 220PF 5% 100V NPO	CS1221R-0805J
C39	CAP CRMC 220PF 5% 100V NPO	CS1221R-0805J
C40	CAP CRMC 220PF 5% 100V NPO	CS1221R-0805J
C41	CAP CRMC 220PF 5% 100V NPO	CS1221R-0805J
C42	CAP CRMC 220PF 5% 100V NPO	CS1221R-0805J
C43	CAP CRMC 220PF 5% 100V NPO	CS1221R-0805J
C44	CAP CRMC 220PF 5% 100V NPO	CS1221R-0805J
C45	CAP CRMC 220PF 5% 100V NPO	CS1221R-0805J
C60	CAP CRMC 2N2 5% 50V NPO	CS1222R-0805J
C61	CAP CRMC 2N2 5% 50V NPO	CS1222R-0805J
C62	CAP CRMC 2N2 5% 50V NPO	CS1222R-0805J
C63	CAP CRMC 2N2 5% 50V NPO	CS1222R-0805J
C64	CAP CRMC 2N2 5% 50V NPO	CS1222R-0805J
C65	CAP CRMC 2N2 5% 50V NPO	CS1222R-0805J
C66	CAP CRMC 2N2 5% 50V NPO	CS1222R-0805J
C67	CAP CRMC 2N2 5% 50V NPO	CS1222R-0805J
C68	CAP CRMC 2N2 5% 50V NPO	CS1222R-0805J
C69	CAP CRMC 2N2 5% 50V NPO	CS1222R-0805J
C70	CAP CRMC 2N2 5% 50V NPO	CS1222R-0805J
C71	CAP CRMC 2N2 5% 50V NPO	CS1222R-0805J
C72	CAP CRMC 100NF 10% 50V X7R	CS7104R-0805K
C73	CAP CRMC 100NF 10% 50V X7R	CS7104R-0805K
C82	CAP CRMC 100NF 10% 50V X7R	CS7104R-0805K
C83	CAP CRMC 100NF 10% 50V X7R	CS7104R-0805K
C84	CAP CRMC 100NF 10% 50V X7R	CS7104R-0805K
C85	CAP CRMC 100NF 10% 50V X7R	CS7104R-0805K
C86	CAP CRMC 100NF 10% 50V X7R	CS7104R-0805K
C87	CAP CRMC 100NF 10% 50V X7R	CS7104R-0805K
CN1	26WY 0.1"BTM ENTRY SM 7.37H	FS0013
D1	DIODE SURFACE MOUNT BAS16	BS0001R-SOT23
D2	DIODE SURFACE MOUNT BAS16	BS0001R-SOT23
D3	DIODE SURFACE MOUNT BAS16	BS0001R-SOT23
D4	DIODE SURFACE MOUNT BAS16	BS0001R-SOT23
D5	DIODE SURFACE MOUNT BAS16	BS0001R-SOT23
D6	DIODE SURFACE MOUNT BAS16	BS0001R-SOT23
D7	DIODE SURFACE MOUNT BAS16	BS0001R-SOT23
D8	DIODE SURFACE MOUNT BAS16	BS0001R-SOT23
D9	DIODE SURFACE MOUNT BAS16	BS0001R-SOT23
D10	DIODE SURFACE MOUNT BAS16	BS0001R-SOT23
D11	DIODE SURFACE MOUNT BAS16	BS0001R-SOT23
D12	DIODE SURFACE MOUNT BAS16	BS0001R-SOT23
IC1	AK4393 24BIT STEREO DAC	BS9198R-VSOP28
IC2	AK4393 24BIT STEREO DAC	BS9198R-VSOP28
IC3	AK4393 24BIT STEREO DAC	BS9198R-VSOP28
IC4	TL072CD SM DUAL OP AMP	BS7001R-SO8
IC5	TL072CD SM DUAL OP AMP	BS7001R-SO8
IC6	TL072CD SM DUAL OP AMP	BS7001R-SO8
R1	SM0805 RES 10K 1% 0.1W T200	AS0103R-0805F
R2	SM0805 RES 10K 1% 0.1W T200	AS0103R-0805F
R3	SM0805 RES 10K 1% 0.1W T200	AS0103R-0805F
R4	SM0805 RES 10R 1% 0.1W T200	AS0100R-0805F
R5	SM0805 RES 10R 1% 0.1W T200	AS0100R-0805F
R6	SM0805 RES 10R 1% 0.1W T200	AS0100R-0805F
R7	SM0805 RES 100R 1% 0.1W T200	AS0101R-0805F
R9	SM0805 RES 10R 1% 0.1W T200	AS0100R-0805F
R10	SM0805 RES 10R 1% 0.1W T200	AS0100R-0805F
R11	SM0805 RES 10R 1% 0.1W T200	AS0100R-0805F
R12	SM0805 RES 10R 1% 0.1W T200	AS0100R-0805F

R13	SM0805 RES 10R 1% 0.1W T200	AS0100R-0805F
R14	SM0805 RES 10R 1% 0.1W T200	AS0100R-0805F
R15	SM0805 RES 10R 1% 0.1W T200	AS0100R-0805F
R16	SM0805 RES 10R 1% 0.1W T200	AS0100R-0805F
R17	SM0805 RES 10R 1% 0.1W T200	AS0100R-0805F
R18	SM0805 RES 10R 1% 0.1W T200	AS0100R-0805F
R19	SM0805 RES 10R 1% 0.1W T200	AS0100R-0805F
R20	SM0805 RES 10R 1% 0.1W T200	AS0100R-0805F
R21	SM0805 RES 10R 1% 0.1W T200	AS0100R-0805F
R22	SM0805 RES 10R 1% 0.1W T200	AS0100R-0805F
R23	SM0805 RES 10R 1% 0.1W T200	AS0100R-0805F
R24	SM0805 RES 10R 1% 0.1W T200	AS0100R-0805F
R27	SM0805 RES 10R 1% 0.1W T200	AS0100R-0805F
R28	SM0805 RES 10R 1% 0.1W T200	AS0100R-0805F
R29	SM0805 RES 10R 1% 0.1W T200	AS0100R-0805F
R30	SM0805 RES 10R 1% 0.1W T200	AS0100R-0805F
R31	SM0805 RES 10R 1% 0.1W T200	AS0100R-0805F
R32	SM0805 RES 10R 1% 0.1W T200	AS0100R-0805F
R33	SM0805 RES 10R 1% 0.1W T200	AS0100R-0805F
R34	SM0805 RES 10R 1% 0.1W T200	AS0100R-0805F
R37	SM0805 RES 10K 1% 0.1W T200	AS0103R-0805F
R38	SM0805 RES 10K 1% 0.1W T200	AS0103R-0805F
R39	SM0805 RES 10K 1% 0.1W T200	AS0103R-0805F
R40	SM0805 RES 10K 1% 0.1W T200	AS0103R-0805F
R41	SM0805 RES 10K 1% 0.1W T200	AS0103R-0805F
R42	SM0805 RES 10K 1% 0.1W T200	AS0103R-0805F
R43	SM0805 RES 10K 1% 0.1W T200	AS0103R-0805F
R44	SM0805 RES 10K 1% 0.1W T200	AS0103R-0805F
R45	SM0805 RES 4K7 1% 0.1W T200	AS0472R-0805F
R46	SM0805 RES 4K7 1% 0.1W T200	AS0472R-0805F
R47	SM0805 RES 4K7 1% 0.1W T200	AS0472R-0805F
R48	SM0805 RES 10K 1% 0.1W T200	AS0103R-0805F
R49	SM0805 RES 10K 1% 0.1W T200	AS0103R-0805F
R50	SM0805 RES 4K7 1% 0.1W T200	AS0472R-0805F
R51	SM0805 RES 4K7 1% 0.1W T200	AS0472R-0805F
R52	SM0805 RES 10K 1% 0.1W T200	AS0103R-0805F
R53	SM0805 RES 10K 1% 0.1W T200	AS0103R-0805F
R54	SM0805 RES 4K7 1% 0.1W T200	AS0472R-0805F
R55	SM0805 RES 100K 1% 0.1W T200	AS0104R-0805F
R56	SM0805 RES 100K 1% 0.1W T200	AS0104R-0805F
R57	SM0805 RES 100K 1% 0.1W T200	AS0104R-0805F
R58	SM0805 RES 100K 1% 0.1W T200	AS0104R-0805F
R59	SM0805 RES 100K 1% 0.1W T200	AS0104R-0805F
R60	SM0805 RES 100K 1% 0.1W T200	AS0104R-0805F
R67	SM0805 RES 2K4 1% 0.1W T200	AS0242R-0805F
R68	SM0805 RES 2K4 1% 0.1W T200	AS0242R-0805F
R69	SM0805 RES 2K4 1% 0.1W T200	AS0242R-0805F
R70	SM0805 RES 2K4 1% 0.1W T200	AS0242R-0805F
R71	SM0805 RES 2K4 1% 0.1W T200	AS0242R-0805F
R72	SM0805 RES 2K4 1% 0.1W T200	AS0242R-0805F
R73	SM0805 RES 2K4 1% 0.1W T200	AS0242R-0805F
R74	SM0805 RES 2K4 1% 0.1W T200	AS0242R-0805F
R75	SM0805 RES 2K4 1% 0.1W T200	AS0242R-0805F
R76	SM0805 RES 2K4 1% 0.1W T200	AS0242R-0805F
R77	SM0805 RES 2K4 1% 0.1W T200	AS0242R-0805F
R78	SM0805 RES 2K4 1% 0.1W T200	AS0242R-0805F
R79	SM0805 RES 2K 1% 0.1W T200	AS0202R-0805F
R80	SM0805 RES 2K 1% 0.1W T200	AS0202R-0805F
R81	SM0805 RES 2K 1% 0.1W T200	AS0202R-0805F
R82	SM0805 RES 2K 1% 0.1W T200	AS0202R-0805F
R83	SM0805 RES 2K 1% 0.1W T200	AS0202R-0805F
R84	SM0805 RES 2K 1% 0.1W T200	AS0202R-0805F
R85	SM0805 RES 2K 1% 0.1W T200	AS0202R-0805F
R86	SM0805 RES 2K 1% 0.1W T200	AS0202R-0805F
R87	SM0805 RES 2K 1% 0.1W T200	AS0202R-0805F
R88	SM0805 RES 2K 1% 0.1W T200	AS0202R-0805F
R89	SM0805 RES 2K 1% 0.1W T200	AS0202R-0805F
R90	SM0805 RES 2K 1% 0.1W T200	AS0202R-0805F

RMID CPU MASTER PCB SM ASSY

RA4208A-SM

Ident Description
pcb RMID CPU PCB

Part Number
SC4208-01

C2	CAP CRMC 100NF 10% 50V X7R	CS7104R-0805K
C3	CAP CRMC 100NF 10% 50V X7R	CS7104R-0805K
C8	CAP CRMC 100NF 10% 50V X7R	CS7104R-0805K
C9	CAP CRMC 100NF 10% 50V X7R	CS7104R-0805K
C10	CAP CRMC 100NF 10% 50V X7R	CS7104R-0805K
C11	CAP CRMC 100NF 10% 50V X7R	CS7104R-0805K
C12	CAP CRMC 100NF 10% 50V X7R	CS7104R-0805K
C13	CAP CRMC 100NF 10% 50V X7R	CS7104R-0805K
C14	CAP CRMC 470PF 5% 50V	CS1471R-0805J
C15	CAP CRMC 470PF 5% 50V	CS1471R-0805J
C16	CAP CRMC 100NF 10% 50V X7R	CS7104R-0805K
C17	TANT CAP 10UF 10V CASE B	CS3106R-CASBK
C18	TANT CAP 10UF 10V CASE B	CS3106R-CASBK
C19	CAP CRMC 100NF 10% 50V X7R	CS7104R-0805K
C20	CAP CRMC 100NF 10% 50V X7R	CS7104R-0805K
C21	CAP CRMC 100NF 10% 50V X7R	CS7104R-0805K
C22	CAP CRMC 100NF 10% 50V X7R	CS7104R-0805K
C23	CAP CRMC 47NF 10% 50V X7R	CS7473R-0805K
C24	CAP CRMC 100NF 10% 50V X7R	CS7104R-0805K
C25	CAP CRMC 100NF 10% 50V X7R	CS7104R-0805K
C26	CAP CRMC 100NF 10% 50V X7R	CS7104R-0805K
C27	CAP CRMC 100NF 10% 50V X7R	CS7104R-0805K
C28	CAP CRMC 100NF 10% 50V X7R	CS7104R-0805K
C29	CAP CRMC 100NF 10% 50V X7R	CS7104R-0805K
C30	CAP CRMC 100NF 10% 50V X7R	CS7104R-0805K
C31	CAP CRMC 100NF 10% 50V X7R	CS7104R-0805K
C32	CAP CRMC 100NF 10% 50V X7R	CS7104R-0805K
C33	CAP CRMC 100NF 10% 50V X7R	CS7104R-0805K
C34	CAP CRMC 100NF 10% 50V X7R	CS7104R-0805K
C35	CAP CRMC 100NF 10% 50V X7R	CS7104R-0805K
C36	CAP CRMC 10NF 10% 50V X7R	CS7103R-0805K
C37	CAP CRMC 100NF 10% 50V X7R	CS7104R-0805K
C38	CAP CRMC 100NF 10% 50V X7R	CS7104R-0805K
C39	CAP CRMC 100NF 10% 50V X7R	CS7104R-0805K
C40	CAP CRMC 100NF 10% 50V X7R	CS7104R-0805K
C41	TANT CAP 10UF 10V CASE B	CS3106R-CASBK
C42	CAP CRMC 100NF 10% 50V X7R	CS7104R-0805K
C43	CAP CRMC 100NF 10% 50V X7R	CS7104R-0805K
C44	CAP CRMC 100NF 10% 50V X7R	CS7104R-0805K
C45	CAP CRMC 100NF 10% 50V X7R	CS7104R-0805K
C46	CAP CRMC 100NF 10% 50V X7R	CS7104R-0805K
C47	CAP CRMC 100NF 10% 50V X7R	CS7104R-0805K
C48	CAP CRMC 100NF 10% 50V X7R	CS7104R-0805K
C49	CAP CRMC 100NF 10% 50V X7R	CS7104R-0805K
C50	CAP CRMC 100NF 10% 50V X7R	CS7104R-0805K
C51	CAP CRMC 100NF 10% 50V X7R	CS7104R-0805K
C52	CAP CRMC 100NF 10% 50V X7R	CS7104R-0805K
C53	TANT CAP 10UF 10V CASE B	CS3106R-CASBK
C54	TANT CAP 10UF 10V CASE B	CS3106R-CASBK
C55	TANT CAP 10UF 10V CASE B	CS3106R-CASBK
C56	TANT CAP 10UF 10V CASE B	CS3106R-CASBK
C61	TANT CAP 10UF 10V CASE B	CS3106R-CASBK
C62	CAP CRMC 100NF 10% 50V X7R	CS7104R-0805K
C63	TANT CAP 10UF 10V CASE B	CS3106R-CASBK
C64	CAP CRMC 100NF 10% 50V X7R	CS7104R-0805K
C65	TANT CAP 10UF 10V CASE B	CS3106R-CASBK
C66	CAP CRMC 100NF 10% 50V X7R	CS7104R-0805K
C68	CAP CRMC 100NF 10% 50V X7R	CS7104R-0805K
C73	CAP CRMC 100NF 10% 50V X7R	CS7104R-0805K
C75	CAP CRMC 100NF 10% 50V X7R	CS7104R-0805K
C1000	CAP CRMC 100NF 10% 50V X7R	CS7104R-0805K
C1008	CAP CRMC 100NF 10% 50V X7R	CS7104R-0805K
C1009	CAP CRMC 100NF 10% 50V X7R	CS7104R-0805K
C1010	CAP CRMC 100NF 10% 50V X7R	CS7104R-0805K
C1011	CAP CRMC 100NF 10% 50V X7R	CS7104R-0805K
C1015	CAP CRMC 100NF 10% 50V X7R	CS7104R-0805K
C1030	CAP CRMC 100NF 10% 50V X7R	CS7104R-0805K
C1031	CAP CRMC 100NF 10% 50V X7R	CS7104R-0805K
C1032	CAP CRMC 100NF 10% 50V X7R	CS7104R-0805K
C1033	CAP CRMC 100NF 10% 50V X7R	CS7104R-0805K
C1034	TANT CAP 10UF 10V CASE B	CS3106R-CASBK
C1035	TANT CAP 10UF 10V CASE B	CS3106R-CASBK
DI	DIODE SCHOTTKY SOT 23 BAS70	BS0025R-SOT23

D201	BAV99 SM DIODE	BS0005R-SOT23
D301	BAV99 SM DIODE	BS0005R-SOT23
D401	BAV70 SM DUAL DIODE COM CATH	BS0013R-SOT23
D402	BAV70 SM DUAL DIODE COM CATH	BS0013R-SOT23
D403	SMT DIODE COMMON ANODE BAW56	BS0017R-SOT23
D404	SMT DIODE COMMON ANODE BAW56	BS0017R-SOT23
D405	BAV70 SM DUAL DIODE COM CATH	BS0013R-SOT23
D406	BAV70 SM DUAL DIODE COM CATH	BS0013R-SOT23
D407	BAV70 SM DUAL DIODE COM CATH	BS0013R-SOT23
D408	BAV70 SM DUAL DIODE COM CATH	BS0013R-SOT23
D409	SMT DIODE COMMON ANODE BAW56	BS0017R-SOT23
D410	SMT DIODE COMMON ANODE BAW56	BS0017R-SOT23
D411	SMT DIODE COMMON ANODE BAW56	BS0017R-SOT23
D412	SMT DIODE COMMON ANODE BAW56	BS0017R-SOT23
D413	SMT DIODE COMMON ANODE BAW56	BS0017R-SOT23
D414	SMT DIODE COMMON ANODE BAW56	BS0017R-SOT23
D415	BAV70 SM DUAL DIODE COM CATH	BS0013R-SOT23
D416	BAV70 SM DUAL DIODE COM CATH	BS0013R-SOT23
IC1	DS26C3 ICM SM QD RS422 LINE TX	BS9601R-SO16
IC2	DS36954 QUAD DIFF RX/TX	BS9614M-SO20
IC3	DS26C32ACM SM QD RS422 LNE RX	BS9600R-SO16
IC4	HCPL-0700 OPT0 COUPLER	BS5000R-SO8
IC5	74HC259 SM 8BIT ANDRSBLE LTCH	BS2073R
IC6	DRAM 1MX16 5V 50NS 0-70DEG	BS9406R-SOJ42
IC7	CRYSTAL CS841 I AUDIO RX	BS9209L-SO28
IC8	SM PLCC SKT 28WY WITHOUT PEGS	FS0008R
IC9	ADM207EARS RS232 RX/TX 5V	BS9621R-SSOP24
IC10	MC68EN360EM25C SM PROC PLASTIC	BS9035M-QFP240
IC11	DRAM 1MX16 5V 50NS 0-70DEG	BS9406R-SOJ42
IC12	512X16 FLASH AMD AM29F800	BS9023M-TSOP48
IC13	512X16 FLASH AMD AM29F800	BS9023M-TSOP48
IC14	MAX1232CSA SM SUPERVISORY CCT	BS9609R
IC15	74HC14 SM HEX INV SCHMT TRG	BS2010R
IC16	XC5202-6VQ I00C XILINK FPGA SM	BS9028M-QFP100
IC17	DS8921 RS422 DIFF DR/RX PAIR	BS9626R-SO8
IC18	DS2401 SILICON SER NUM SM	BS9409R-SOT223
IC19	74VHCT245A OCT BUS TXR TSSOP20	BS97245R-TSSOP
IC20	74VHCT245A OCT BUS TXR TSSOP20	BS97245R-TSSOP
IC22	74HCT 4066 SM QD ANALOG SW	BS3516R-SO14
IC31	74VHC14MTC HEX SCHMT INVERTER	BS97014R-TSSOP
IC32	74VHC14MTC HEX SCHMT INVERTER	BS97014R-TSSOP
IC33	TLC2932 HIGH PERF PLL	BS9036R-TSSOP14
IC35	LM4040DIM3-4.1 SHUNT VREF NAT	BS7012R-SOT23
IC1099	ADM207EARS RS232 RX/TX 5V	BS9621R-SSOP24
IC1100	XC4003E FPGA	BS9024M-QFP100
L12	IOUH 300MA SM INDUCTOR	HS1001R-1812K
L13	IOUH 300MA SM INDUCTOR	HS1001R-1812K
L14	IOUH 300MA SM INDUCTOR	HS1001R-1812K
LED2	SMD LED GREEN LGT670-LM	JS0019R-PLCC2
LED3	SMD LED GREEN LGT670-LM	JS0019R-PLCC2
LED4	SMD LED GREEN LGT670-LM	JS0019R-PLCC2
R1	SM0805 RES 150R 1% 0.1W T200	AS0151R-0805F
R2	SM0805 RES 150R 1% 0.1W T200	AS0151R-0805F
R3	SM0805 RES 1K 1% 0.1W T200	AS0102R-0805F
R4	SM0805 RES 110R 1% 0.1W T200	AS0111R-0805F
R5	SM0805 RES 1K5 1% 0.1W T200	AS0152R-0805F
R6	SM0805 RES 1K5 1% 0.1W T200	AS0152R-0805F
R7	SM0805 RES 3K9 1% 0.1W T200	AS0392R-0805F
R8	SM0805 RES 1K 1% 0.1W T200	AS0102R-0805F
R10	SM0805 RES 10R 1% 0.1W T200	AS0100R-0805F
R11	SM0805 RES 2K2 1% 0.1W T200	AS0222R-0805F
R13	SM0805 RES 10R 1% 0.1W T200	AS0100R-0805F
R15	SM0805 RES 220R 1% 0.1W T200	AS0221R-0805F
R16	SM0805 RES 220R 1% 0.1W T200	AS0221R-0805F
R17	SM0805 RES 220R 1% 0.1W T200	AS0221R-0805F
R18	SM0805 RES 220R 1% 0.1W T200	AS0221R-0805F
R19	SM0805 RES 2K2 1% 0.1W T200	AS0222R-0805F
R20	SM0805 RES 2K2 1% 0.1W T200	AS0222R-0805F
R21	SM0805 RES 0R 1% 0.1W T200	AS0000R-0805F
R22	SM0805 RES 47R 1% 0.1W T200	AS0470R-0805F
R23	SM0805 RES 47R 1% 0.1W T200	AS0470R-0805F
R26	SM0805 RES 3K3 1% 0.1W T200	AS0332R-0805F
R28	SM0805 RES 3K3 1% 0.1W T200	AS0332R-0805F

R29	SM0805 RES 10K 1% 0.1W T200	AS0103R-0805F
R30	SM0805 RES 22R 1% 0.1W T200	AS0220R-0805F
R31	SM0805 RES 33R 1% 0.1W T200	AS0330R-0805F
R33	SM0805 RES 4M7 1% 0.1W T200	AS0475R-0805F
R34	SM0805 RES 0R 1% 0.1W T200	AS0000R-0805F
R35	SM0805 RES 2K2 1% 0.1W T200	AS0222R-0805F
R36	SM0805 RES 2K2 1% 0.1W T200	AS0222R-0805F
R37	SM0805 RES 2K2 1% 0.1W T200	AS0222R-0805F
R38	SM0805 RES 2K2 1% 0.1W T200	AS0222R-0805F
R39	SM0805 RES 2K2 1% 0.1W T200	AS0222R-0805F
R40	SM0805 RES 10K 1% 0.1W T200	AS0103R-0805F
R41	SM0805 RES 10K 1% 0.1W T200	AS0103R-0805F
R42	SM0805 RES 10K 1% 0.1W T200	AS0103R-0805F
R43	SM0805 RES 10K 1% 0.1W T200	AS0103R-0805F
R44	SM0805 RES 10K 1% 0.1W T200	AS0103R-0805F
R45	SM0805 RES 10K 1% 0.1W T200	AS0103R-0805F
R46	SM0805 RES 10K 1% 0.1W T200	AS0103R-0805F
R47	SM0805 RES 10K 1% 0.1W T200	AS0103R-0805F
R48	SM0805 RES 10K 1% 0.1W T200	AS0103R-0805F
R49	SM0805 RES 10K 1% 0.1W T200	AS0103R-0805F
R50	SM0805 RES 10K 1% 0.1W T200	AS0103R-0805F
R51	SM0805 RES 10K 1% 0.1W T200	AS0103R-0805F
R52	SM0805 RES 10K 1% 0.1W T200	AS0103R-0805F
R53	SM0805 RES 10K 1% 0.1W T200	AS0103R-0805F
R54	SM0805 RES 10K 1% 0.1W T200	AS0103R-0805F
R55	SM0805 RES 10K 1% 0.1W T200	AS0103R-0805F
R56	SM0805 RES 10K 1% 0.1W T200	AS0103R-0805F
R57	SM0805 RES 10K 1% 0.1W T200	AS0103R-0805F
R58	SM0805 RES 2K2 1% 0.1W T200	AS0222R-0805F
R59	SM0805 RES 1K 1% 0.1W T200	AS0102R-0805F
R60	SM0805 RES 1K 1% 0.1W T200	AS0102R-0805F
R61	SM0805 RES 1K 1% 0.1W T200	AS0102R-0805F
R62	SM0805 RES 10K 1% 0.1W T200	AS0103R-0805F
R63	SM0805 RES 22R 1% 0.1W T200	AS0220R-0805F
R64	SM0805 RES 22R 1% 0.1W T200	AS0220R-0805F
R65	SM0805 RES 22R 1% 0.1W T200	AS0220R-0805F
R66	SM0805 RES 22R 1% 0.1W T200	AS0220R-0805F
R67	SM0805 RES 22R 1% 0.1W T200	AS0220R-0805F
R68	SM0805 RES 22R 1% 0.1W T200	AS0220R-0805F
R69	SM0805 RES 22R 1% 0.1W T200	AS0220R-0805F
R70	SM0805 RES 22R 1% 0.1W T200	AS0220R-0805F
R71	SM0805 RES 22R 1% 0.1W T200	AS0220R-0805F
R72	SM0805 RES 22R 1% 0.1W T200	AS0220R-0805F
R73	SM0805 RES 22R 1% 0.1W T200	AS0220R-0805F
R74	SM0805 RES 22R 1% 0.1W T200	AS0220R-0805F
R75	SM0805 RES 22R 1% 0.1W T200	AS0220R-0805F
R76	SM0805 RES 22R 1% 0.1W T200	AS0220R-0805F
R77	SM0805 RES 22R 1% 0.1W T200	AS0220R-0805F
R78	SM0805 RES 22R 1% 0.1W T200	AS0220R-0805F
R79	SM0805 RES 1K 1% 0.1W T200	AS0102R-0805F
R80	SM0805 RES 1K 1% 0.1W T200	AS0102R-0805F
R81	SM0805 RES 1K 1% 0.1W T200	AS0102R-0805F
R82	SM0805 RES 1K 1% 0.1W T200	AS0102R-0805F
R83	SM0805 RES 22R 1% 0.1W T200	AS0220R-0805F
R84	SM0805 RES 22R 1% 0.1W T200	AS0220R-0805F
R85	SM0805 RES 22R 1% 0.1W T200	AS0220R-0805F
R86	SM0805 RES 22R 1% 0.1W T200	AS0220R-0805F
R87	SM0805 RES 75R 1% 0.1W T200	AS0750R-0805F
R88	SM0805 RES 75R 1% 0.1W T200	AS0750R-0805F
R89	SM0805 RES 75R 1% 0.1W T200	AS0750R-0805F
R90	SM0805 RES 75R 1% 0.1W T200	AS0750R-0805F
R91	SM0805 RES 100R 1% 0.1W T200	AS0101R-0805F
R92	SM0805 RES 0R 1% 0.1W T200	AS0000R-0805F
R93	SM0805 RES 75R 1% 0.1W T200	AS0750R-0805F
R94	SM0805 RES 75R 1% 0.1W T200	AS0750R-0805F
R95	SM0805 RES 75R 1% 0.1W T200	AS0750R-0805F
R96	SM0805 RES 75R 1% 0.1W T200	AS0750R-0805F
R97	SM0805 RES 75R 1% 0.1W T200	AS0750R-0805F
R98	SM0805 RES 75R 1% 0.1W T200	AS0750R-0805F
R99	SM0805 RES 75R 1% 0.1W T200	AS0750R-0805F
R100	SM0805 RES 2K2 1% 0.1W T200	AS0222R-0805F
R101	SM0805 RES 2K2 1% 0.1W T200	AS0222R-0805F
R102	SM0805 RES 2K2 1% 0.1W T200	AS0222R-0805F

R103	SM0805 RES 2K2 1% 0.1W T200	AS0222R-0805F
R104	SM0805 RES 100K 1% 0.1W T200	AS0104R-0805F
R105	SM0805 RES 100K 1% 0.1W T200	AS0104R-0805F
R106	SM0805 RES 4R7 1% 0.1W T200	AS0047R-0805F
R107	SM0805 RES 4R7 1% 0.1W T200	AS0047R-0805F
R108	SM0805 RES 10K 1% 0.1W T200	AS0103R-0805F
R109	SM0805 RES 10K 1% 0.1W T200	AS0103R-0805F
R110	SM0805 RES 10K 1% 0.1W T200	AS0103R-0805F
R111	SM0805 RES 0R 1% 0.1W T200	AS0000R-0805F
R113	SM0805 RES 0R 1% 0.1W T200	AS0000R-0805F
R115	SM0805 RES 10K 1% 0.1W T200	AS0103R-0805F
R1001	SM0805 RES 0R 1% 0.1W T200	AS0000R-0805F
R1002	SM0805 RES 0R 1% 0.1W T200	AS0000R-0805F
R1003	SM0805 RES 0R 1% 0.1W T200	AS0000R-0805F
RN1	SM0603 4-RES 47R 5% 32MW T200	AS7470R-0603TF4
RN2	SM0603 4-RES 47R 5% 32MW T200	AS7470R-0603TF4
RN3	SM0603 4-RES 2K2 5% 62MW T200	AS7222R-0603TF4
RN4	SM0603 4-RES 2K2 5% 62MW T200	AS7222R-0603TF4
RN5	SM0603 4-RES 4K7 5% 62MW T200	AS7472R-0603TF4
RN6	SM0603 4-RES 4K7 5% 62MW T200	AS7472R-0603TF4
RN7	SM0603 4-RES 10K 5% 62MW T200	AS7103R-0603TF4
RN20	SM0603 4-RES 2K2 5% 62MW T200	AS7222R-0603TF4
RN1006	SM0603 4-RES 10K 5% 62MW T200	AS7103R-0603TF4
TR1	BCR108 NPN DIG TRAN 2K2/47K SM	BS0511R-SOT23
TR2	BCR108 NPN DIG TRAN 2K2/47K SM	BS0511R-SOT23
TR3	BCR108 NPN DIG TRAN 2K2/47K SM	BS0511R-SOT23

RMID MAST BACKPLANE SM AS

Ident	Description
pcb	RMID BACKPLANE PCB
C1	TANT CAP 10UF 10V CASE B
C2	TANT CAP 10UF 10V CASE B
C4	CAP CRMC 100NF 10% 50V X7R
C5	CAP CRMC 100NF 10% 50V X7R
C6	CAP CRMC 100NF 10% 50V X7R
C7	CAP CRMC 100NF 10% 50V X7R
C8	CAP CRMC 100NF 10% 50V X7R
C9	CAP CRMC 100NF 10% 50V X7R
C11	CAP CRMC 100NF 10% 50V X7R
C12	CAP CRMC 100NF 10% 50V X7R
C16	CAP CRMC 100NF 10% 50V X7R
C17	CAP CRMC 100NF 10% 50V X7R
C18	CAP CRMC 100NF 10% 50V X7R
C19	CAP CRMC 100NF 10% 50V X7R
C20	CAP CRMC 100NF 10% 50V X7R
C21	CAP CRMC 100NF 10% 50V X7R
C22	CAP CRMC 100NF 10% 50V X7R
C23	CAP CRMC 100NF 10% 50V X7R
C24	TANT CAP 10UF 10V CASE B
C27	CAP CRMC 100NF 10% 50V X7R
IC1	26LS31CM SM QD RS22 TX
IC3	74HC245A OCTAL TRANSCEIVER
IC4	74HC245A OCTAL TRANSCEIVER
IC5	74HC138 3-8 LINE DECODER
IC6	74HC138 3-8 LINE DECODER
IC7	74HC138 3-8 LINE DECODER
IC8	74HC138 3-8 LINE DECODER
IC9	74HC244 OCTAL BUFFER
IC10	74HC4051 8-1 ANALOG MUX SM
IC11	74HC4051 8-1 ANALOG MUX SM
IC12	74AC11 SM TRIPLE 3I/P AND GATE
IC13	DS36C200M DUAL LVDS DIFF TX/RX
LED1	LED GRN SMT 0603
LED2	LED GRN SMT 0603
LED4	LED GRN SMT 0603
LED5	LED GRN SMT 0603
LED6	LED GRN SMT 0603
LED7	LED GRN SMT 0603
LED8	LED GRN SMT 0603
R1	SM0805 RES 10K 1% 0.1W T200
R2	SM0805 RES 10K 1% 0.1W T200
R3	SM0805 RES 10K 1% 0.1W T200

RA4209A-SM

Part Number
SC4209-01
CS3106R-CASBK
CS3106R-CASBK
CS7104R-0805K
CS7104R-0805K
CS7104R-0805K
CS7104R-0805K
CS7104R-0805K
CS7104R-0805K
CS7104R-0805K
CS7104R-0805K
CS7104R-0805K
CS7104R-0805K
CS7104R-0805K
CS7104R-0805K
CS7104R-0805K
CS7104R-0805K
CS7104R-0805K
CS7104R-0805K
CS7104R-0805K
CS7104R-0805K
CS7104R-0805K
CS7104R-0805K
CS7104R-0805K
CS7104R-0805K
CS7104R-0805K
CS7104R-0805K
CS7104R-0805K
CS7104R-0805K
CS7104R-0805K
CS7104R-0805K
CS7104R-0805K
CS7104R-0805K
BS4131R-SO16
BS2068R-TSSOP20
BS2068R-TSSOP20
BS2034R-TSSOP16
BS2034R-TSSOP16
BS2034R-TSSOP16
BS2034R-TSSOP16
BS2034R-TSSOP16
BS2067R-TSSOP20
BS2511R-SO16
BS2511R-SO16
BS2511R-SO16
BS2009R-SO14
BS9625R-SOIC14
JS0008R-0603
JS0008R-0603
JS0008R-0603
JS0008R-0603
JS0008R-0603
JS0008R-0603
JS0008R-0603
JS0008R-0603
AS0103R-0805F
AS0103R-0805F
AS0103R-0805F

R4	SM0805 RES 10K 1% 0.1W T200	AS0103R-0805F
R5	SM0805 RES 1K 1% 0.1W T200	AS0102R-0805F
R6	SM0805 RES 1K 1% 0.1W T200	AS0102R-0805F
R7	SM0805 RES 1K 1% 0.1W T200	AS0102R-0805F
R8	SM0805 RES 1K 1% 0.1W T200	AS0102R-0805F
R9	SM0805 RES 1K 1% 0.1W T200	AS0102R-0805F
R10	SM0805 RES 1K 1% 0.1W T200	AS0102R-0805F
R11	SM0805 RES 1K 1% 0.1W T200	AS0102R-0805F
R12	SM0805 RES 3K3 1% 0.1W T200	AS0332R-0805F
R13	SM0805 RES 3K3 1% 0.1W T200	AS0332R-0805F
R14	SM0805 RES OR 1% 0.1W T200	AS0000R-0805F
R15	SM0805 RES 1K 1% 0.1W T200	AS0102R-0805F
R16	SM0805 RES 12K 1% 0.1W T200	AS0123R-0805F
R17	SM0805 RES 1K 1% 0.1W T200	AS0102R-0805F
R18	SM0805 RES 1K 1% 0.1W T200	AS0102R-0805F
R19	SM0805 RES 2K2 1% 0.1W T200	AS0222R-0805F
R22	SM0805 RES 56R 1% 0.1W T200	AS0560R-0805F
R23	SM0805 RES 100R 1% 0.1W T200	AS0101R-0805F
R24	SM0805 RES 100R 1% 0.1W T200	AS0101R-0805F
R25	SM0805 RES 100R 1% 0.1W T200	AS0101R-0805F
R26	SM0805 RES 100R 1% 0.1W T200	AS0101R-0805F
R27	SM0805 RES 100R 1% 0.1W T200	AS0101R-0805F
R28	SM0805 RES 100R 1% 0.1W T200	AS0101R-0805F
R29	SM0805 RES 100R 1% 0.1W T200	AS0101R-0805F
R30	SM0805 RES 100R 1% 0.1W T200	AS0101R-0805F
R31	SM0805 RES 100R 1% 0.1W T200	AS0101R-0805F
R32	SM0805 RES 100R 1% 0.1W T200	AS0101R-0805F
R33	SM0805 RES 100R 1% 0.1W T200	AS0101R-0805F
R34	SM0805 RES 100R 1% 0.1W T200	AS0101R-0805F
R35	SM0805 RES 100R 1% 0.1W T200	AS0101R-0805F
R36	SM0805 RES 100R 1% 0.1W T200	AS0101R-0805F
R37	SM0805 RES 100R 1% 0.1W T200	AS0101R-0805F
R38	SM0805 RES 100R 1% 0.1W T200	AS0101R-0805F
R39	SM0805 RES 1K 1% 0.1W T200	AS0102R-0805F
R40	SM0805 RES 47R 1% 0.1W T200	AS0470R-0805F
RN1	SM0603 4-RES 10K 5% 62MW T200	AS7103R-0603TF4
RN2	SM0603 4-RES 10K 5% 62MW T200	AS7103R-0603TF4
RN3	SM0603 4-RES 10K 5% 62MW T200	AS7103R-0603TF4
RN4	SM0603 4-RES 10K 5% 62MW T200	AS7103R-0603TF4
RN5	SM0603 4-RES 10K 5% 62MW T200	AS7103R-0603TF4
RN6	SM0603 4-RES 10K 5% 62MW T200	AS7103R-0603TF4
RN7	SM0603 4-RES 10K 5% 62MW T200	AS7103R-0603TF4
RN8	SM0603 4-RES 10K 5% 62MW T200	AS7103R-0603TF4
RN9	SM0603 4-RES 10K 5% 62MW T200	AS7103R-0603TF4
RN10	SM0603 4-RES 10K 5% 62MW T200	AS7103R-0603TF4
RN11	SM0603 4-RES 10K 5% 62MW T200	AS7103R-0603TF4
RN12	SM0603 4-RES 10K 5% 62MW T200	AS7103R-0603TF4
RN13	SM0603 4-RES 10K 5% 62MW T200	AS7103R-0603TF4
RN14	SM0603 4-RES 10K 5% 62MW T200	AS7103R-0603TF4
RN15	SM0603 4-RES 10K 5% 62MW T200	AS7103R-0603TF4
RN16	SM0603 4-RES 10K 5% 62MW T200	AS7103R-0603TF4
RN17	SM0603 4-RES 1K 5% 62MW T200	AS7102R-0603TF4
RN18	SM0603 4-RES 10K 5% 62MW T200	AS7103R-0603TF4
RN20	SM0603 4-RES 10K 5% 62MW T200	AS7103R-0603TF4
RN21	SM0603 4-RES 10K 5% 62MW T200	AS7103R-0603TF4
RN22	SM0603 4-RES 10K 5% 62MW T200	AS7103R-0603TF4
RN23	SM0603 4-RES 10K 5% 62MW T200	AS7103R-0603TF4
TR1	BCR108 NPN DIG TRAN 2K2/47K SM	BS0511R-SOT23

RMID LEXI-MOD PCB SM ASSY(G3)

Ident	Description
pcb	RMID LEXI-CHIP PCB
C1	CAP CRMC 22PF 5% 50V NP0
C2	CAP CRMC 22PF 5% 50V NP0
C3	CAP CRMC 100NF 10% 50V X7R
C4	CAP CRMC 100NF 10% 50V X7R
C5	CAP CRMC 100NF 10% 50V X7R
C6	CAP CRMC 100NF 10% 50V X7R
C7	CAP CRMC 100NF 10% 50V X7R
C8	CAP CRMC 100NF 10% 50V X7R
C9	CAP CRMC 100NF 10% 50V X7R
C10	CAP CRMC 100NF 10% 50V X7R

RA4212A-SM

Part Number
SC4212-01
CS1220R-0805J
CS1220R-0805J
CS7104R-0805K
CS7104R-0805K
CS7104R-0805K
CS7104R-0805K
CS7104R-0805K
CS7104R-0805K
CS7104R-0805K
CS7104R-0805K
CS7104R-0805K
CS7104R-0805K

IC1	DSP56002PV80 24BIT DSP 80MHZ	BS9029M-QFP144
IC2	TMIX ASIC	BS9016M-TQFP144
IC3	DSP56002PV80 24BIT DSP 80MHZ	BS9029M-QFP144
IC4	TMIX ASIC	BS9016M-TQFP144
IC5	74HCT125 QUAD BUS BUFFER	BS3030R-SO14
IC6	DSPB56364FU100 BS100	BS10027
IC7	74HCT125 QUAD BUS BUFFER	BS3030R-SO14
IC8	74HCT125 QUAD BUS BUFFER	BS3030R-SO14
IC9	DSPB56364FU100 BS100	BS10027
LED1	LED GRN SMT 0603	JS0008R-0603
LED2	LED GRN SMT 0603	JS0008R-0603
LED3	LED GRN SMT 0603	JS0008R-0603
LED4	LED GRN SMT 0603	JS0008R-0603
R1	SM0603 4-RES 10K 5% 62MW T200	AS7103R-0603TF4
R2	SM0603 4-RES 10K 5% 62MW T200	AS7103R-0603TF4
R3	SM0603 4-RES 10K 5% 62MW T200	AS7103R-0603TF4
R4	SM0603 4-RES 10K 5% 62MW T200	AS7103R-0603TF4
R5	SM0805 RES 1K 1% 0.1W T200	AS0102R-0805F
R6	SM0805 RES 1K 1% 0.1W T200	AS0102R-0805F
R7	SM0805 RES 1K 1% 0.1W T200	AS0102R-0805F
R8	SM0805 RES 1K 1% 0.1W T200	AS0102R-0805F
R9	SM0805 RES 1K 1% 0.1W T200	AS0102R-0805F
R10	SM0805 RES 1K 1% 0.1W T200	AS0102R-0805F
R11	SM0805 RES 1K 1% 0.1W T200	AS0102R-0805F
R12	SM0805 RES 1K 1% 0.1W T200	AS0102R-0805F
R13	SM0805 RES 1K 1% 0.1W T200	AS0102R-0805F
R14	SM0805 RES 1K 1% 0.1W T200	AS0102R-0805F
R15	SM0805 RES 1K 1% 0.1W T200	AS0102R-0805F
R16	SM0805 RES 1K 1% 0.1W T200	AS0102R-0805F
R17	SM0805 RES 1K 1% 0.1W T200	AS0102R-0805F
R18	SM0805 RES 1K 1% 0.1W T200	AS0102R-0805F
R19	SM0805 RES 1K 1% 0.1W T200	AS0102R-0805F
R20	SM0805 RES 1K 1% 0.1W T200	AS0102R-0805F
R21	SM0805 RES 200R 1% 0.1W T200	AS0201R-0805F
R22	SM0805 RES 200R 1% 0.1W T200	AS0201R-0805F
R23	SM0805 RES 200R 1% 0.1W T200	AS0201R-0805F
R24	SM0805 RES 200R 1% 0.1W T200	AS0201R-0805F
REG2	MC33269 3V3 REGULATOR BS100	BS10026

RMIDS FDR PCB SM ASSY

Ident	Description	Part Number
pcb	RMIDS FDR PCB	SC4188-02
C7	CAP CRMC 100NF 10% 50V X7R	CS7104R-0805K
C8	CAP CRMC 100NF 10% 50V X7R	CS7104R-0805K
C9	CAP CRMC 100NF 10% 50V X7R	CS7104R-0805K
C10	CAP CRMC 100NF 10% 50V X7R	CS7104R-0805K
C11	CAP CRMC 100NF 10% 50V X7R	CS7104R-0805K
C12	CAP CRMC 100NF 10% 50V X7R	CS7104R-0805K
C13	CAP CRMC 100NF 10% 50V X7R	CS7104R-0805K
C16	CAP CRMC 100NF 10% 50V X7R	CS7104R-0805K
C17	CAP CRMC 100NF 10% 50V X7R	CS7104R-0805K
C18	CAP CRMC 100NF 10% 50V X7R	CS7104R-0805K
C19	CAP CRMC 100NF 10% 50V X7R	CS7104R-0805K
C20	CAP CRMC 100NF 10% 50V X7R	CS7104R-0805K
C21	CAP CRMC 100NF 10% 50V X7R	CS7104R-0805K
C22	TANT CAP 10UF 10V CASE B	CS3106R-CASBK
C23	CAP CRMC 100NF 10% 50V X7R	CS7104R-0805K
C24	CAP CRMC 100NF 10% 50V X7R	CS7104R-0805K
C25	CAP CRMC 100NF 10% 50V X7R	CS7104R-0805K
C27	CAP CRMC 100NF 10% 50V X7R	CS7104R-0805K
C28	CAP CRMC 100NF 10% 50V X7R	CS7104R-0805K
C29	CAP CRMC 100NF 10% 50V X7R	CS7104R-0805K
C30	CAP CRMC 100NF 10% 50V X7R	CS7104R-0805K
C31	CAP CRMC 100NF 10% 50V X7R	CS7104R-0805K
C32	CAP CRMC 100NF 10% 50V X7R	CS7104R-0805K
C40	CAP CRMC INF 10% 50V X7R	CS7102R-0805K
D1	SMT DIODE COMMON ANODE BAW56	BS0017R-SOT23
D2	SMT DIODE COMMON ANODE BAW56	BS0017R-SOT23
D3	SMT DIODE COMMON ANODE BAW56	BS0017R-SOT23
D4	SMT DIODE COMMON ANODE BAW56	BS0017R-SOT23
D5	SMT DIODE COMMON ANODE BAW56	BS0017R-SOT23
D6	SMT DIODE COMMON ANODE BAW56	BS0017R-SOT23

RB4188A-SM

D7	BAT54S DUAL DIODE SOT23 BS100	BS10030
D8	BAT54S DUAL DIODE SOT23 BS100	BS10030
D9	BAT54S DUAL DIODE SOT23 BS100	BS10030
D10	BAT54S DUAL DIODE SOT23 BS100	BS10030
D11	BAT54S DUAL DIODE SOT23 BS100	BS10030
D12	BAT54S DUAL DIODE SOT23 BS100	BS10030
IC1	74HC00 SM QD 2 I/P NAND	BS2001R
IC2	74HC00 SM QD 2 I/P NAND	BS2001R
IC3	74HC00 SM QD 2 I/P NAND	BS2001R
IC4	74HC00 SM QD 2 I/P NAND	BS2001R
IC5	74HC00 SM QD 2 I/P NAND	BS2001R
IC6	74HC00 SM QD 2 I/P NAND	BS2001R
IC7	74HC4051 8-1 ANALOG MUX SM	BS2511R-SO16
R1	SM0805 RES 2K7 1% 0.1W T200	AS0272R-0805F
R2	SM0805 RES 820R 1% 0.1W T200	AS0821R-0805F
R3	SM0805 RES 390R 1% 0.1W T200	AS0391R-0805F
R4	SM0805 RES 110R 1% 0.1W T200	AS0111R-0805F
R5	SM0805 RES 2K7 1% 0.1W T200	AS0272R-0805F
R6	SM0805 RES 820R 1% 0.1W T200	AS0821R-0805F
R7	SM0805 RES 390R 1% 0.1W T200	AS0391R-0805F
R8	SM0805 RES 110R 1% 0.1W T200	AS0111R-0805F
R9	SM0805 RES 2K7 1% 0.1W T200	AS0272R-0805F
R10	SM0805 RES 820R 1% 0.1W T200	AS0821R-0805F
R11	SM0805 RES 390R 1% 0.1W T200	AS0391R-0805F
R12	SM0805 RES 110R 1% 0.1W T200	AS0111R-0805F
R13	SM0805 RES 2K7 1% 0.1W T200	AS0272R-0805F
R14	SM0805 RES 820R 1% 0.1W T200	AS0821R-0805F
R15	SM0805 RES 390R 1% 0.1W T200	AS0391R-0805F
R16	SM0805 RES 110R 1% 0.1W T200	AS0111R-0805F
R17	SM0805 RES 2K7 1% 0.1W T200	AS0272R-0805F
R18	SM0805 RES 820R 1% 0.1W T200	AS0821R-0805F
R19	SM0805 RES 390R 1% 0.1W T200	AS0391R-0805F
R20	SM0805 RES 110R 1% 0.1W T200	AS0111R-0805F
R21	SM0805 RES 2K7 1% 0.1W T200	AS0272R-0805F
R22	SM0805 RES 390R 1% 0.1W T200	AS0391R-0805F
R23	SM0805 RES 110R 1% 0.1W T200	AS0111R-0805F
R24	SM0805 RES 820R 1% 0.1W T200	AS0821R-0805F
R25	SM0805 RES 1K 1% 0.1W T200	AS0102R-0805F
R26	SM0805 RES 2K2 1% 0.1W T200	AS0222R-0805F
R27	SM0805 RES 2K2 1% 0.1W T200	AS0222R-0805F
R28	SM0805 RES 10K 1% 0.1W T200	AS0103R-0805F
R29	SM0805 RES 10K 1% 0.1W T200	AS0103R-0805F
R30	SM0805 RES 6K8 1% 0.1W T200	AS0682R-0805F
R31	SM0805 RES 6K8 1% 0.1W T200	AS0682R-0805F
R32	SM0805 RES 6K8 1% 0.1W T200	AS0682R-0805F
R33	SM0805 RES 6K8 1% 0.1W T200	AS0682R-0805F
R34	SM0805 RES 6K8 1% 0.1W T200	AS0682R-0805F
R35	SM0805 RES 6K8 1% 0.1W T200	AS0682R-0805F
R36	SM0805 RES 100R 1% 0.1W T200	AS0101R-0805F
R37	SM0805 RES 100R 1% 0.1W T200	AS0101R-0805F
R38	SM0805 RES 100R 1% 0.1W T200	AS0101R-0805F
R39	SM0805 RES 100R 1% 0.1W T200	AS0101R-0805F
R40	SM0805 RES 100R 1% 0.1W T200	AS0101R-0805F
R41	SM0805 RES 100R 1% 0.1W T200	AS0101R-0805F
R42	SM0805 RES 10K 1% 0.1W T200	AS0103R-0805F
TR1	BCR108 NPN DIG TRAN 2K2/47K SM	BS0511R-SOT23
TR2	BCR108 NPN DIG TRAN 2K2/47K SM	BS0511R-SOT23
TR3	BCR108 NPN DIG TRAN 2K2/47K SM	BS0511R-SOT23
TR4	BCR108 NPN DIG TRAN 2K2/47K SM	BS0511R-SOT23
TR5	BCR108 NPN DIG TRAN 2K2/47K SM	BS0511R-SOT23
TR6	BCR108 NPN DIG TRAN 2K2/47K SM	BS0511R-SOT23
TR7	BCR108 NPN DIG TRAN 2K2/47K SM	BS0511R-SOT23
TR8	BCR108 NPN DIG TRAN 2K2/47K SM	BS0511R-SOT23
TR9	BCR108 NPN DIG TRAN 2K2/47K SM	BS0511R-SOT23
TR10	BCR108 NPN DIG TRAN 2K2/47K SM	BS0511R-SOT23
TR11	BCR108 NPN DIG TRAN 2K2/47K SM	BS0511R-SOT23
TR12	BCR108 NPN DIG TRAN 2K2/47K SM	BS0511R-SOT23
TR13	BCR108 NPN DIG TRAN 2K2/47K SM	BS0511R-SOT23
TR14	BCR108 NPN DIG TRAN 2K2/47K SM	BS0511R-SOT23
TR15	BCR108 NPN DIG TRAN 2K2/47K SM	BS0511R-SOT23
TR16	BCR108 NPN DIG TRAN 2K2/47K SM	BS0511R-SOT23
TR17	BCR108 NPN DIG TRAN 2K2/47K SM	BS0511R-SOT23
TR18	BCR108 NPN DIG TRAN 2K2/47K SM	BS0511R-SOT23

TR19	BCR108 NPN DIG TRAN 2K2/47K SM	BS0511R-SOT23
TR20	BCR108 NPN DIG TRAN 2K2/47K SM	BS0511R-SOT23
TR21	BCR108 NPN DIG TRAN 2K2/47K SM	BS0511R-SOT23
TR22	BCR108 NPN DIG TRAN 2K2/47K SM	BS0511R-SOT23
TR23	BCR108 NPN DIG TRAN 2K2/47K SM	BS0511R-SOT23
TR24	BCR108 NPN DIG TRAN 2K2/47K SM	BS0511R-SOT23
TR25	BCR108 NPN DIG TRAN 2K2/47K SM	BS0511R-SOT23
TR26	BCR108 NPN DIG TRAN 2K2/47K SM	BS0511R-SOT23
TR27	BCR108 NPN DIG TRAN 2K2/47K SM	BS0511R-SOT23
TR28	BCR108 NPN DIG TRAN 2K2/47K SM	BS0511R-SOT23
TR29	BCR108 NPN DIG TRAN 2K2/47K SM	BS0511R-SOT23
TR30	BCR108 NPN DIG TRAN 2K2/47K SM	BS0511R-SOT23

RMID AES/SPDIF PCB SM ASSY

Ident	Description	Part Number
pcb	RMID SPDIF PCB	SC4204-02
C1	CAP CRMC 100NF 10% 50V X7R	CS7104R-0805K
C2	TANT CAP 10UF 10V CASE B	CS3106R-CASBK
C3	CAP CRMC 100NF 10% 50V X7R	CS7104R-0805K
C4	CAP CRMC 100NF 10% 50V X7R	CS7104R-0805K
C5	CAP CRMC 100NF 10% 50V X7R	CS7104R-0805K
C6	CAP CRMC 100NF 10% 50V X7R	CS7104R-0805K
C7	CAP CRMC 100NF 10% 50V X7R	CS7104R-0805K
C8	CAP CRMC 100NF 10% 50V X7R	CS7104R-0805K
C9	CAP CRMC 100NF 10% 50V X7R	CS7104R-0805K
C10	TANT CAP 10UF 10V CASE B	CS3106R-CASBK
C11	CAP CRMC 100NF 10% 50V X7R	CS7104R-0805K
C12	CAP CRMC 100NF 10% 50V X7R	CS7104R-0805K
C13	CAP CRMC 100NF 10% 50V X7R	CS7104R-0805K
C14	CAP CRMC 100NF 10% 50V X7R	CS7104R-0805K
C15	CAP CRMC 100NF 10% 50V X7R	CS7104R-0805K
C16	CAP CRMC 100NF 10% 50V X7R	CS7104R-0805K
C17	CAP CRMC 100NF 10% 50V X7R	CS7104R-0805K
C18	CAP CRMC 100NF 10% 50V X7R	CS7104R-0805K
C19	CAP CRMC 100NF 10% 50V X7R	CS7104R-0805K
C20	CAP CRMC 100NF 10% 50V X7R	CS7104R-0805K
C21	CAP CRMC 100NF 10% 50V X7R	CS7104R-0805K
C22	CAP CRMC 100NF 10% 50V X7R	CS7104R-0805K
C23	CAP CRMC 100PF 5% 50V NPO	CS1101R-0805J
C24	CAP CRMC 100PF 5% 50V NPO	CS1101R-0805J
C25	CAP CRMC 100PF 5% 50V NPO	CS1101R-0805J
C26	CAP CRMC 100NF 10% 50V X7R	CS7104R-0805K
C27	CAP CRMC 100NF 10% 50V X7R	CS7104R-0805K
C28	CAP CRMC 100NF 10% 50V X7R	CS7104R-0805K
C29	CAP CRMC 100NF 10% 50V X7R	CS7104R-0805K
C30	CAP CRMC 100NF 10% 50V X7R	CS7104R-0805K
C31	CAP CRMC 100NF 10% 50V X7R	CS7104R-0805K
C32	CAP CRMC 100NF 10% 50V X7R	CS7104R-0805K
C33	CAP CRMC 100NF 10% 50V X7R	CS7104R-0805K
C34	CAP CRMC 100NF 10% 50V X7R	CS7104R-0805K
C35	CAP CRMC 100NF 10% 50V X7R	CS7104R-0805K
C36	CAP CRMC 100PF 5% 50V NPO	CS1101R-0805J
C47	SM0805 RES OR 1% 0.1W T200	AS0000R-0805F
C48	SM0805 RES OR 1% 0.1W T200	AS0000R-0805F
C49	SM0805 RES OR 1% 0.1W T200	AS0000R-0805F
C50	SM0805 RES OR 1% 0.1W T200	AS0000R-0805F
C51	SM0805 RES OR 1% 0.1W T200	AS0000R-0805F
C52	SM0805 RES OR 1% 0.1W T200	AS0000R-0805F
C53	SM0805 RES OR 1% 0.1W T200	AS0000R-0805F
C54	SM0805 RES OR 1% 0.1W T200	AS0000R-0805F
C55	CAP CRMC 100NF 10% 50V X7R	CS7104R-0805K
C56	CAP CRMC 100NF 10% 50V X7R	CS7104R-0805K
C57	CAP CRMC 100NF 10% 50V X7R	CS7104R-0805K
C58	CAP CRMC 100NF 10% 50V X7R	CS7104R-0805K
C59	CAP CRMC 100NF 10% 50V X7R	CS7104R-0805K
C60	SM0805 RES OR 1% 0.1W T200	AS0000R-0805F
C61	SM0805 RES OR 1% 0.1W T200	AS0000R-0805F
C63	CAP CRMC 100NF 10% 50V X7R	CS7104R-0805K
C64	CAP CRMC 100NF 10% 50V X7R	CS7104R-0805K
C65	CAP CRMC 100NF 10% 50V X7R	CS7104R-0805K
C66	CAP CRMC 100NF 10% 50V X7R	CS7104R-0805K
DI	BAV70 SM DUAL DIODE COM CATH	BS0013R-SOT23

RB4204A-SM

IC1	74HC165 SM 8BIT PISO SHFT RG	BS2047R
IC2	74HC165 SM 8BIT PISO SHFT RG	BS2047R
IC3	74HC126 QUAD BUF/LINE DRV	BS2031R-SO14
IC4	74HC126 QUAD BUF/LINE DRV	BS2031R-SO14
IC5	74HC138 3-8 LINE DECODER	BS2034R-TSSOP16
IC6	74HC245A OCTAL TRANSCEIVER	BS2068R-TSSOP20
IC8	74HC245A OCTAL TRANSCEIVER	BS2068R-TSSOP20
IC9	74HC245A OCTAL TRANSCEIVER	BS2068R-TSSOP20
IC10	74HC14 SM HEX INV SCHMT TRG	BS2010R
IC11	74HC32 SM QD 2 I/P OR	BS2015R-SO14
IC12	74HC273 SM OCT D F/F R+ TRG	BS2074R
IC13	74HC138 3-8 LINE DECODER	BS2034R-TSSOP16
IC14	74HC138 3-8 LINE DECODER	BS2034R-TSSOP16
IC17	74HC273 SM OCT D F/F R+ TRG	BS2074R
IC18	74HC373 SM OCT D LTCH 3ST	BS2085R
IC19	74HC74 SM DL D F/F SR+TRG	BS2019R
IC20	74HC74 SM DL D F/F SR+TRG	BS2019R
IC21	74HC74 SM DL D F/F SR+TRG	BS2019R
IC22	74HC148 SM 8-3 PRIO ENC	BS2111R-SO16
IC23	74HC74 SM DL D F/F SR+TRG	BS2019R
IC25	UHS SINGLE SCHMITT INVERTER	BS4701R-SC70
IC26	AV9170 PLL	BS9044R-SO8
IC29	CRYSTAL CS8401 AUDIO TX	BS9210L-SO20
IC30	CRYSTAL CS8401 AUDIO TX	BS9210L-SO20
IC31	CRYSTAL CS8401 AUDIO TX	BS9210L-SO20
IC32	AD1892 AES/SPDIF RX WITH SRC	BS9217R-SO28
IC33	AD1892 AES/SPDIF RX WITH SRC	BS9217R-SO28
IC34	AD1892 AES/SPDIF RX WITH SRC	BS9217R-SO28
IC35	AD1892 AES/SPDIF RX WITH SRC	BS9217R-SO28
IC36	AD1892 AES/SPDIF RX WITH SRC	BS9217R-SO28
LED1	LED GRN SMT 0603	JS0008R-0603
LED2	LED GRN SMT 0603	JS0008R-0603
LED3	LED GRN SMT 0603	JS0008R-0603
LED4	LED GRN SMT 0603	JS0008R-0603
LED5	LED GRN SMT 0603	JS0008R-0603
R1	SM0805 RES 4R7 1% 0.1W T200	AS0047R-0805F
R2	SM0805 RES 1K 1% 0.1W T200	AS0102R-0805F
R3	SM0805 RES 1K 1% 0.1W T200	AS0102R-0805F
R4	SM0805 RES 4R7 1% 0.1W T200	AS0047R-0805F
R5	SM0805 RES 1K 1% 0.1W T200	AS0102R-0805F
R6	SM0805 RES 4R7 1% 0.1W T200	AS0047R-0805F
R7	SM0805 RES 1K 1% 0.1W T200	AS0102R-0805F
R8	SM0805 RES 4R7 1% 0.1W T200	AS0047R-0805F
R9	SM0805 RES 1K 1% 0.1W T200	AS0102R-0805F
R11	SM0805 RES 1K 1% 0.1W T200	AS0102R-0805F
R13	SM0805 RES 22R 1% 0.1W T200	AS0220R-0805F
R14	SM0805 RES 1K 1% 0.1W T200	AS0102R-0805F
R16	SM0805 RES 1K 1% 0.1W T200	AS0102R-0805F
R17	SM0805 RES 100K 1% 0.1W T200	AS0104R-0805F
R19	SM0805 RES 1K 1% 0.1W T200	AS0102R-0805F
R21	SM0805 RES 75R 1% 0.1W T200	AS0750R-0805F
R23	SM0805 RES 1K 1% 0.1W T200	AS0102R-0805F
R25	SM0805 RES 1K 1% 0.1W T200	AS0102R-0805F
R27	SM0805 RES 75R 1% 0.1W T200	AS0750R-0805F
R29	SM0805 RES 1K 1% 0.1W T200	AS0102R-0805F
R31	SM0805 RES 1K 1% 0.1W T200	AS0102R-0805F
R32	SM0805 RES 75R 1% 0.1W T200	AS0750R-0805F
R34	SM0805 RES 360R 1% 0.1W T200	AS0361R-0805F
R36	SM0805 RES 110R 1% 0.1W T200	AS0111R-0805F
R39	SM0805 RES 75R 1% 0.1W T200	AS0750R-0805F
R40	SM0805 RES 110R 1% 0.1W T200	AS0111R-0805F
R54	SM0805 RES 91R 1% 0.1W T200	AS0910R-0805F
R55	SM0805 RES 110R 1% 0.1W T200	AS0111R-0805F
R58	SM0805 RES 110R 1% 0.1W T200	AS0111R-0805F
R59	SM0805 RES 110R 1% 0.1W T200	AS0111R-0805F
R60	SM0805 RES 110R 1% 0.1W T200	AS0111R-0805F
R61	SM0805 RES 110R 1% 0.1W T200	AS0111R-0805F
RN1	SM0603 4-RES 22R 5% 62MW T200	AS7220R-0603TF4
RN2	SM0603 4-RES 22R 5% 62MW T200	AS7220R-0603TF4
RN3	SM0603 4-RES 47R 5% 32MW T200	AS7470R-0603TF4
RN4	SM0603 4-RES 47R 5% 32MW T200	AS7470R-0603TF4
RN5	SM0603 4-RES 47R 5% 32MW T200	AS7470R-0603TF4
RN6	SM0603 4-RES 100K 5% 62MW T200	AS7104R-0603TF4

R4	SM0805 RES 100R 1% 0.1W T200	AS0101R-0805F
R5	SM0805 RES 100R 1% 0.1W T200	AS0101R-0805F
TR1	BCR108 NPN DIG TRAN 2K2/47K SM	BS0511R-SOT23

RMID DPE MODULE PCB SM ASSY

Ident	Description
pcb	RMID SPE MODULE PCB
C1	CAP CRMC 100NF 10% 50V X7R
C6	CAP CRMC 10NF 10% 50V X7R
C7	CAP CRMC 10NF 10% 50V X7R
C8	CAP CRMC 10NF 10% 50V X7R
C9	CAP CRMC 10NF 10% 50V X7R
C10	CAP CRMC 10NF 10% 50V X7R
C11	CAP CRMC 10NF 10% 50V X7R
C12	CAP CRMC 10NF 10% 50V X7R
C14	CAP CRMC 10NF 10% 50V X7R
C15	CAP CRMC 10NF 10% 50V X7R
C16	CAP CRMC 10NF 10% 50V X7R
C21	CAP CRMC 10NF 10% 50V X7R
C22	CAP CRMC 10NF 10% 50V X7R
IC1	DSP56002PV80 24BIT DSP 80MHZ
IC2	TMIX ASIC
IC3	DSP56002PV80 24BIT DSP 80MHZ
IC4	TMIX ASIC
IC7	DS36C200M DUAL LVDS DIFF TX/RX
LED1	LED GRN SMT 0603
LED4	LED GRN SMT 0603
R1	SM0603 4-RES 10K 5% 62MW T200
R2	SM0603 4-RES 10K 5% 62MW T200
R3	SM0603 4-RES 10K 5% 62MW T200
R4	SM0603 4-RES 10K 5% 62MW T200
R6	SM0805 RES 1K 1% 0.1W T200
R9	SM0805 RES 1K 1% 0.1W T200
R11	SM0805 RES 0R 1% 0.1W T200
R15	SM0805 RES 0R 1% 0.1W T200
R17	SM0805 RES 100R 1% 0.1W T200

RMID MTR/SPKR PCB SM ASSY

Ident	Description
pcb	RMID MTR/SPKR PCB
C1	CAP CRMC 100NF 10% 50V X7R
C2	TANT CAP 10UF 10V CASE B
C3	CAP CRMC 100NF 10% 50V X7R
C4	TANT CAP 10UF 10V CASE B
C5	TANT CAP 10UF 10V CASE B
C6	TANT CAP 10UF 10V CASE B
C9	CAP CRMC 100NF 10% 50V X7R
C10	CAP CRMC 100NF 10% 50V X7R
C11	CAP CRMC 100NF 10% 50V X7R
C12	CAP CRMC 100NF 10% 50V X7R
C13	TANT CAP 10UF 10V CASE B
C14	TANT CAP 10UF 10V CASE B
C15	TANT CAP 10UF 10V CASE B
C16	CAP CRMC 100NF 10% 50V X7R
C20	CAP CRMC 100NF 10% 50V X7R
C21	CAP CRMC 220PF 5% 100V NPO
C22	CAP CRMC 100NF 10% 50V X7R
C23	CAP CRMC 100NF 10% 50V X7R
C24	CAP CRMC 100NF 10% 50V X7R
C25	CAP CRMC 100NF 10% 50V X7R
C26	CAP CRMC 100NF 10% 50V X7R
C27	TANT CAP 10UF 10V CASE B
C28	TANT CAP 10UF 10V CASE B
C29	TANT CAP 10UF 10V CASE B
C30	CAP CRMC 100NF 10% 50V X7R
C31	CAP CRMC 100NF 10% 50V X7R
C33	CAP CRMC 100NF 10% 50V X7R
C34	TANT CAP 10UF 10V CASE B
C37	CAP CRMC 100NF 10% 50V X7R
C38	TANT CAP 10UF 10V CASE B

RD3948B-SM

Part Number
SC3948-04
CS7104R-0805K
CS7103R-0805K
CS7103R-0805K
CS7103R-0805K
CS7103R-0805K
CS7103R-0805K
CS7103R-0805K
CS7103R-0805K
CS7103R-0805K
CS7103R-0805K
BS9029M-QFP144
BS9016M-TQFP144
BS9029M-QFP144
BS9016M-TQFP144
BS9625R-SOIC14
JS0008R-0603
JS0008R-0603
AS7103R-0603TF4
AS7103R-0603TF4
AS7103R-0603TF4
AS7103R-0603TF4
AS0102R-0805F
AS0102R-0805F
AS0000R-0805F
AS0000R-0805F
AS0101R-0805F

RD3960A-SM

Part Number
SC3960-04
CS7104R-0805K
CS3106R-CASBK
CS7104R-0805K
CS3106R-CASBK
CS3106R-CASBK
CS3106R-CASBK
CS7104R-0805K
CS7104R-0805K
CS7104R-0805K
CS7104R-0805K
CS3106R-CASBK
CS3106R-CASBK
CS3106R-CASBK
CS7104R-0805K
CS7104R-0805K
CS1221R-0805J
CS7104R-0805K
CS7104R-0805K
CS7104R-0805K
CS7104R-0805K
CS7104R-0805K
CS7104R-0805K
CS3106R-CASBK
CS3106R-CASBK
CS3106R-CASBK
CS7104R-0805K
CS7104R-0805K
CS7104R-0805K
CS7104R-0805K
CS3106R-CASBK
CS3106R-CASBK

C41	CAP CRMC 220NF 10% 25V X7R	CS7224R-1206K
C42	CAP CRMC 33PF 5% 50V NPO	CS1330R-0805J
C43	CAP CRMC 33PF 5% 50V NPO	CS1330R-0805J
C44	CAP CRMC 100NF 10% 50V X7R	CS7104R-0805K
C46	CAP CRMC 100NF 10% 50V X7R	CS7104R-0805K
C47	CAP CRMC 100NF 10% 50V X7R	CS7104R-0805K
D1	DIODE SURFACE MOUNT BAS16	BS0001R-SOT23
IC1	AV9173 PLL	BS9020M-SO8
IC2	74HC191 SYNC DIN U/D CNTR	BS2055R-SO16
IC3	74HC191 SYNC DIN U/D CNTR	BS2055R-SO16
IC4	74HC14 SM HEX INV SCHMT TRG	BS2010R
IC5	AK4520 20BIT STEREO CODEC	BS9215R-VSOP28
IC6	AK4520 20BIT STEREO CODEC	BS9215R-VSOP28
IC8	TL072CD SM DUAL OP AMP	BS7001R-SO8
IC9	74HC02 SM QD 2I/P NOR	BS2002R
R2	SM0805 RES 100R 1% 0.1W T200	AS0101R-0805F
R3	SM0805 RES 10R 1% 0.1W T200	AS0100R-0805F
R4	SM0805 RES 10R 1% 0.1W T200	AS0100R-0805F
R5	SM0805 RES 2K2 1% 0.1W T200	AS0222R-0805F
R6	SM0805 RES 16K 1% 0.1W T200	AS0163R-0805F
R7	SM0805 RES 16K 1% 0.1W T200	AS0163R-0805F
R8	SM0805 RES 10K 1% 0.1W T200	AS0103R-0805F
R9	SM0805 RES 120R 1% 0.1W T200	AS0121R-0805F
R11	SM0805 RES 56R 1% 0.1W T200	AS0560R-0805F
R12	SM0805 RES 11K 1% 0.1W T200	AS0113R-0805F
R13	SM0805 RES 100K 1% 0.1W T200	AS0104R-0805F
R14	SM0805 RES 47R 1% 0.1W T200	AS0470R-0805F
R15	SM0805 RES 100K 1% 0.1W T200	AS0104R-0805F
R16	SM0805 RES 100K 1% 0.1W T200	AS0104R-0805F
R17	SM0805 RES 27R 1% 0.1W T200	AS0270R-0805F
R18	SM0805 RES 100K 1% 0.1W T200	AS0104R-0805F
R19	SM0805 RES 11K 1% 0.1W T200	AS0113R-0805F
R20	SM0805 RES 27R 1% 0.1W T200	AS0270R-0805F
R21	SM0805 RES 47R 1% 0.1W T200	AS0470R-0805F
R26	SM0805 RES 33R 1% 0.1W T200	AS0330R-0805F
R27	SM0805 RES 33R 1% 0.1W T200	AS0330R-0805F
R28	SM0805 RES 33R 1% 0.1W T200	AS0330R-0805F
R29	SM0805 RES 1R 1% 0.1W T200	AS0010R-0805F
R30	SM0805 RES 2K 1% 0.1W T200	AS0202R-0805F
R31	SM0805 RES 5K6 1% 0.1W T200	AS0562R-0805F
R32	SM0805 RES 33K 1% 0.1W T200	AS0333R-0805F
R35	SM0805 RES 33K 1% 0.1W T200	AS0333R-0805F
R37	SM0805 RES 47R 1% 0.1W T200	AS0470R-0805F

RMID MTR/SPKR PCB SM ASSY

Ident	Description	Part Number
pcb	RMID MTR/SPKR PCB	SC3960-04
C1	CAP CRMC 100NF 10% 50V X7R	CS7104R-0805K
C2	TANT CAP 10UF 10V CASE B	CS3106R-CASBK
C3	CAP CRMC 100NF 10% 50V X7R	CS7104R-0805K
C4	TANT CAP 10UF 10V CASE B	CS3106R-CASBK
C16	CAP CRMC 100NF 10% 50V X7R	CS7104R-0805K
C22	CAP CRMC 100NF 10% 50V X7R	CS7104R-0805K
C23	CAP CRMC 100NF 10% 50V X7R	CS7104R-0805K
C24	CAP CRMC 100NF 10% 50V X7R	CS7104R-0805K
C25	CAP CRMC 100NF 10% 50V X7R	CS7104R-0805K
C26	CAP CRMC 100NF 10% 50V X7R	CS7104R-0805K
C27	TANT CAP 10UF 10V CASE B	CS3106R-CASBK
C28	TANT CAP 10UF 10V CASE B	CS3106R-CASBK
C29	TANT CAP 10UF 10V CASE B	CS3106R-CASBK
C30	CAP CRMC 100NF 10% 50V X7R	CS7104R-0805K
C31	CAP CRMC 100NF 10% 50V X7R	CS7104R-0805K
C33	CAP CRMC 100NF 10% 50V X7R	CS7104R-0805K
C34	TANT CAP 10UF 10V CASE B	CS3106R-CASBK
C37	CAP CRMC 100NF 10% 50V X7R	CS7104R-0805K
C38	TANT CAP 10UF 10V CASE B	CS3106R-CASBK
C42	CAP CRMC 33PF 5% 50V NPO	CS1330R-0805J
C43	CAP CRMC 33PF 5% 50V NPO	CS1330R-0805J
C44	CAP CRMC 100NF 10% 50V X7R	CS7104R-0805K
C46	CAP CRMC 100NF 10% 50V X7R	CS7104R-0805K
C47	CAP CRMC 100NF 10% 50V X7R	CS7104R-0805K
D1	DIODE SURFACE MOUNT BAS16	BS0001R-SOT23

RD3960C-SM

IC7	74HC4051 8-1 ANALOG MUX SM	BS2511R-SO16
LD1	LED RED SMT 0603	JS0007R-0603
LD2	LED RED SMT 0603	JS0007R-0603
LD3	LED RED SMT 0603	JS0007R-0603
LD4	LED RED SMT 0603	JS0007R-0603
LD5	LED RED SMT 0603	JS0007R-0603
LD6	LED RED SMT 0603	JS0007R-0603
LD7	LED RED SMT 0603	JS0007R-0603
LD8	LED RED SMT 0603	JS0007R-0603
LD9	LED RED SMT 0603	JS0007R-0603
LD10	LED RED SMT 0603	JS0007R-0603
LD11	LED RED SMT 0603	JS0007R-0603
LD12	LED RED SMT 0603	JS0007R-0603
LD13	LED RED SMT 0603	JS0007R-0603
LD14	LED RED SMT 0603	JS0007R-0603
LD15	LED RED SMT 0603	JS0007R-0603
LD16	LED RED SMT 0603	JS0007R-0603
LD17	LED RED SMT 0603	JS0007R-0603
LD18	LED RED SMT 0603	JS0007R-0603
LD19	LED RED SMT 0603	JS0007R-0603
LD20	LED RED SMT 0603	JS0007R-0603
LD21	LED RED SMT 0603	JS0007R-0603
LD22	LED RED SMT 0603	JS0007R-0603
LD23	LED RED SMT 0603	JS0007R-0603
LD24	LED RED SMT 0603	JS0007R-0603
LD25	LED AMBER SMT 0603	JS0009R-0603
LD26	LED AMBER SMT 0603	JS0009R-0603
LD27	LED AMBER SMT 0603	JS0009R-0603
LD28	LED AMBER SMT 0603	JS0009R-0603
LD29	LED AMBER SMT 0603	JS0009R-0603
LD30	LED AMBER SMT 0603	JS0009R-0603
LD31	LED AMBER SMT 0603	JS0009R-0603
LD32	LED AMBER SMT 0603	JS0009R-0603
LD33	LED AMBER SMT 0603	JS0009R-0603
LD34	LED AMBER SMT 0603	JS0009R-0603
LD35	LED AMBER SMT 0603	JS0009R-0603
LD36	LED AMBER SMT 0603	JS0009R-0603
LD37	LED AMBER SMT 0603	JS0009R-0603
LD38	LED AMBER SMT 0603	JS0009R-0603
LD39	LED AMBER SMT 0603	JS0009R-0603
LD40	LED AMBER SMT 0603	JS0009R-0603
LD41	LED AMBER SMT 0603	JS0009R-0603
LD42	LED AMBER SMT 0603	JS0009R-0603
LD43	LED AMBER SMT 0603	JS0009R-0603
LD44	LED AMBER SMT 0603	JS0009R-0603
LD45	LED AMBER SMT 0603	JS0009R-0603
LD46	LED AMBER SMT 0603	JS0009R-0603
LD47	LED AMBER SMT 0603	JS0009R-0603
LD48	LED AMBER SMT 0603	JS0009R-0603
LD49	LED GRN SMT 0603	JS0008R-0603
LD50	LED GRN SMT 0603	JS0008R-0603
LD51	LED GRN SMT 0603	JS0008R-0603
LD52	LED GRN SMT 0603	JS0008R-0603
LD53	LED GRN SMT 0603	JS0008R-0603
LD54	LED GRN SMT 0603	JS0008R-0603
LD55	LED GRN SMT 0603	JS0008R-0603
LD56	LED GRN SMT 0603	JS0008R-0603
LD57	LED GRN SMT 0603	JS0008R-0603
LD58	LED GRN SMT 0603	JS0008R-0603
LD59	LED GRN SMT 0603	JS0008R-0603
LD60	LED GRN SMT 0603	JS0008R-0603
LD61	LED GRN SMT 0603	JS0008R-0603
LD62	LED GRN SMT 0603	JS0008R-0603
LD63	LED GRN SMT 0603	JS0008R-0603
LD64	LED GRN SMT 0603	JS0008R-0603
LD65	LED GRN SMT 0603	JS0008R-0603
LD66	LED GRN SMT 0603	JS0008R-0603
LD67	LED GRN SMT 0603	JS0008R-0603
LD68	LED GRN SMT 0603	JS0008R-0603
LD69	LED GRN SMT 0603	JS0008R-0603
LD70	LED GRN SMT 0603	JS0008R-0603
LD71	LED GRN SMT 0603	JS0008R-0603
LD72	LED GRN SMT 0603	JS0008R-0603

LD73	LED AMBER SMT 0603	JS0009R-0603
LD74	LED AMBER SMT 0603	JS0009R-0603
LD75	LED AMBER SMT 0603	JS0009R-0603
LD76	LED AMBER SMT 0603	JS0009R-0603
LD77	LED AMBER SMT 0603	JS0009R-0603
LD78	LED AMBER SMT 0603	JS0009R-0603
LD79	LED AMBER SMT 0603	JS0009R-0603
LD80	LED AMBER SMT 0603	JS0009R-0603
LD81	LED AMBER SMT 0603	JS0009R-0603
LD82	LED AMBER SMT 0603	JS0009R-0603
LD83	LED AMBER SMT 0603	JS0009R-0603
LD84	LED AMBER SMT 0603	JS0009R-0603
LD85	LED AMBER SMT 0603	JS0009R-0603
LD86	LED AMBER SMT 0603	JS0009R-0603
LD87	LED AMBER SMT 0603	JS0009R-0603
LD88	LED AMBER SMT 0603	JS0009R-0603
LD89	LED AMBER SMT 0603	JS0009R-0603
LD90	LED AMBER SMT 0603	JS0009R-0603
LD91	LED AMBER SMT 0603	JS0009R-0603
LD92	LED AMBER SMT 0603	JS0009R-0603
LD93	LED AMBER SMT 0603	JS0009R-0603
LD94	LED AMBER SMT 0603	JS0009R-0603
LD95	LED AMBER SMT 0603	JS0009R-0603
LD96	LED AMBER SMT 0603	JS0009R-0603
LD97	LED AMBER SMT 0603	JS0009R-0603
LD98	LED AMBER SMT 0603	JS0009R-0603
LD99	LED AMBER SMT 0603	JS0009R-0603
LD100	LED AMBER SMT 0603	JS0009R-0603
LD101	LED AMBER SMT 0603	JS0009R-0603
LD102	LED AMBER SMT 0603	JS0009R-0603
LD103	LED AMBER SMT 0603	JS0009R-0603
LD105	LED AMBER SMT 0603	JS0009R-0603
LD106	LED AMBER SMT 0603	JS0009R-0603
LD107	LED AMBER SMT 0603	JS0009R-0603
LD108	LED AMBER SMT 0603	JS0009R-0603
LD109	LED AMBER SMT 0603	JS0009R-0603
LD110	LED AMBER SMT 0603	JS0009R-0603
LD111	LED AMBER SMT 0603	JS0009R-0603
LD112	LED AMBER SMT 0603	JS0009R-0603
LD113	LED AMBER SMT 0603	JS0009R-0603
LD114	LED AMBER SMT 0603	JS0009R-0603
LD115	LED AMBER SMT 0603	JS0009R-0603
LD116	LED AMBER SMT 0603	JS0009R-0603
LD117	LED AMBER SMT 0603	JS0009R-0603
LD118	LED AMBER SMT 0603	JS0009R-0603
LD119	LED AMBER SMT 0603	JS0009R-0603
LD120	LED AMBER SMT 0603	JS0009R-0603
LD121	LED AMBER SMT 0603	JS0009R-0603
LD122	LED AMBER SMT 0603	JS0009R-0603
LD123	LED AMBER SMT 0603	JS0009R-0603
LD124	LED AMBER SMT 0603	JS0009R-0603
LD125	LED AMBER SMT 0603	JS0009R-0603
LD126	LED AMBER SMT 0603	JS0009R-0603
LD127	LED AMBER SMT 0603	JS0009R-0603
LD128	LED AMBER SMT 0603	JS0009R-0603
LD129	LED AMBER SMT 0603	JS0009R-0603
LD130	LED AMBER SMT 0603	JS0009R-0603
LD131	LED AMBER SMT 0603	JS0009R-0603
LD132	LED AMBER SMT 0603	JS0009R-0603
LD133	LED AMBER SMT 0603	JS0009R-0603
LD134	LED AMBER SMT 0603	JS0009R-0603
LD135	LED AMBER SMT 0603	JS0009R-0603
LD136	LED AMBER SMT 0603	JS0009R-0603
LD137	LED AMBER SMT 0603	JS0009R-0603
LD138	LED AMBER SMT 0603	JS0009R-0603
LD139	LED AMBER SMT 0603	JS0009R-0603
LD140	LED AMBER SMT 0603	JS0009R-0603
LD141	LED AMBER SMT 0603	JS0009R-0603
LD142	LED AMBER SMT 0603	JS0009R-0603
LD143	LED AMBER SMT 0603	JS0009R-0603
LD144	LED AMBER SMT 0603	JS0009R-0603
LD145	LED AMBER SMT 0603	JS0009R-0603
LD146	LED AMBER SMT 0603	JS0009R-0603

LD147	LED AMBER SMT 0603	JS0009R-0603
LD148	LED AMBER SMT 0603	JS0009R-0603
LD149	LED AMBER SMT 0603	JS0009R-0603
LD150	LED AMBER SMT 0603	JS0009R-0603
LD151	LED AMBER SMT 0603	JS0009R-0603
LD152	LED AMBER SMT 0603	JS0009R-0603
LD153	LED AMBER SMT 0603	JS0009R-0603
LD154	LED AMBER SMT 0603	JS0009R-0603
LD155	LED AMBER SMT 0603	JS0009R-0603
LD156	LED AMBER SMT 0603	JS0009R-0603
LD157	LED AMBER SMT 0603	JS0009R-0603
LD158	LED AMBER SMT 0603	JS0009R-0603
LD159	LED AMBER SMT 0603	JS0009R-0603
LD160	LED AMBER SMT 0603	JS0009R-0603
LD161	LED AMBER SMT 0603	JS0009R-0603
LD162	LED AMBER SMT 0603	JS0009R-0603
LD163	LED AMBER SMT 0603	JS0009R-0603
LD164	LED AMBER SMT 0603	JS0009R-0603
LD165	LED AMBER SMT 0603	JS0009R-0603
LD166	LED AMBER SMT 0603	JS0009R-0603
LD167	LED AMBER SMT 0603	JS0009R-0603
LD168	LED AMBER SMT 0603	JS0009R-0603
LD169	LED RED SMT 0603	JS0007R-0603
LD170	LED RED SMT 0603	JS0007R-0603
LD171	LED RED SMT 0603	JS0007R-0603
LD172	LED RED SMT 0603	JS0007R-0603
LD173	LED RED SMT 0603	JS0007R-0603
LD174	LED RED SMT 0603	JS0007R-0603
LD175	LED RED SMT 0603	JS0007R-0603
LD176	LED RED SMT 0603	JS0007R-0603
LD177	LED RED SMT 0603	JS0007R-0603
LD178	LED RED SMT 0603	JS0007R-0603
LD179	LED RED SMT 0603	JS0007R-0603
LD180	LED RED SMT 0603	JS0007R-0603
LD181	LED RED SMT 0603	JS0007R-0603
LD182	LED RED SMT 0603	JS0007R-0603
LD183	LED RED SMT 0603	JS0007R-0603
LD184	LED RED SMT 0603	JS0007R-0603
LD185	LED RED SMT 0603	JS0007R-0603
LD186	LED RED SMT 0603	JS0007R-0603
LD187	LED RED SMT 0603	JS0007R-0603
LD188	LED RED SMT 0603	JS0007R-0603
LD189	LED RED SMT 0603	JS0007R-0603
LD190	LED RED SMT 0603	JS0007R-0603
LD191	LED RED SMT 0603	JS0007R-0603
LD192	LED RED SMT 0603	JS0007R-0603
LD193	LED AMBER SMT 0603	JS0009R-0603
LD194	LED AMBER SMT 0603	JS0009R-0603
LD195	LED AMBER SMT 0603	JS0009R-0603
LD196	LED AMBER SMT 0603	JS0009R-0603
LD197	LED AMBER SMT 0603	JS0009R-0603
LD198	LED AMBER SMT 0603	JS0009R-0603
LD199	LED AMBER SMT 0603	JS0009R-0603
LD200	LED AMBER SMT 0603	JS0009R-0603
LD201	LED AMBER SMT 0603	JS0009R-0603
LD202	LED AMBER SMT 0603	JS0009R-0603
LD203	LED AMBER SMT 0603	JS0009R-0603
LD204	LED AMBER SMT 0603	JS0009R-0603
LD205	LED AMBER SMT 0603	JS0009R-0603
LD206	LED AMBER SMT 0603	JS0009R-0603
LD207	LED AMBER SMT 0603	JS0009R-0603
LD208	LED AMBER SMT 0603	JS0009R-0603
LD209	LED AMBER SMT 0603	JS0009R-0603
LD210	LED AMBER SMT 0603	JS0009R-0603
LD211	LED AMBER SMT 0603	JS0009R-0603
LD212	LED AMBER SMT 0603	JS0009R-0603
LD213	LED AMBER SMT 0603	JS0009R-0603
LD214	LED AMBER SMT 0603	JS0009R-0603
LD215	LED AMBER SMT 0603	JS0009R-0603
LD216	LED AMBER SMT 0603	JS0009R-0603
LD217	LED GRN SMT 0603	JS0008R-0603
LD218	LED GRN SMT 0603	JS0008R-0603
LD219	LED GRN SMT 0603	JS0008R-0603

LD220	LED GRN SMT 0603	JS0008R-0603
LD221	LED GRN SMT 0603	JS0008R-0603
LD222	LED GRN SMT 0603	JS0008R-0603
LD223	LED GRN SMT 0603	JS0008R-0603
LD224	LED GRN SMT 0603	JS0008R-0603
LD225	LED GRN SMT 0603	JS0008R-0603
LD226	LED GRN SMT 0603	JS0008R-0603
LD227	LED GRN SMT 0603	JS0008R-0603
LD228	LED GRN SMT 0603	JS0008R-0603
LD229	LED GRN SMT 0603	JS0008R-0603
LD230	LED GRN SMT 0603	JS0008R-0603
LD231	LED GRN SMT 0603	JS0008R-0603
LD232	LED GRN SMT 0603	JS0008R-0603
LD233	LED GRN SMT 0603	JS0008R-0603
LD234	LED GRN SMT 0603	JS0008R-0603
LD235	LED GRN SMT 0603	JS0008R-0603
LD236	LED GRN SMT 0603	JS0008R-0603
LD237	LED GRN SMT 0603	JS0008R-0603
LD238	LED GRN SMT 0603	JS0008R-0603
LD239	LED GRN SMT 0603	JS0008R-0603
LD240	LED GRN SMT 0603	JS0008R-0603
LD241	LED AMBER SMT 0603	JS0009R-0603
LD242	LED AMBER SMT 0603	JS0009R-0603
LD243	LED AMBER SMT 0603	JS0009R-0603
LD244	LED AMBER SMT 0603	JS0009R-0603
LD245	LED AMBER SMT 0603	JS0009R-0603
LD246	LED AMBER SMT 0603	JS0009R-0603
LD247	LED AMBER SMT 0603	JS0009R-0603
LD248	LED AMBER SMT 0603	JS0009R-0603
LD249	LED AMBER SMT 0603	JS0009R-0603
LD250	LED AMBER SMT 0603	JS0009R-0603
LD251	LED AMBER SMT 0603	JS0009R-0603
LD252	LED AMBER SMT 0603	JS0009R-0603
LD253	LED AMBER SMT 0603	JS0009R-0603
LD254	LED AMBER SMT 0603	JS0009R-0603
LD255	LED AMBER SMT 0603	JS0009R-0603
LD256	LED AMBER SMT 0603	JS0009R-0603
LD257	LED AMBER SMT 0603	JS0009R-0603
LD258	LED AMBER SMT 0603	JS0009R-0603
LD259	LED AMBER SMT 0603	JS0009R-0603
LD260	LED AMBER SMT 0603	JS0009R-0603
LD261	LED AMBER SMT 0603	JS0009R-0603
LD262	LED AMBER SMT 0603	JS0009R-0603
LD263	LED AMBER SMT 0603	JS0009R-0603
LD264	LED AMBER SMT 0603	JS0009R-0603
LD265	LED AMBER SMT 0603	JS0009R-0603
LD266	LED AMBER SMT 0603	JS0009R-0603
LD267	LED AMBER SMT 0603	JS0009R-0603
LD268	LED AMBER SMT 0603	JS0009R-0603
LD269	LED AMBER SMT 0603	JS0009R-0603
LD270	LED AMBER SMT 0603	JS0009R-0603
LD271	LED AMBER SMT 0603	JS0009R-0603
LD272	LED AMBER SMT 0603	JS0009R-0603
LD273	LED AMBER SMT 0603	JS0009R-0603
LD274	LED AMBER SMT 0603	JS0009R-0603
LD275	LED AMBER SMT 0603	JS0009R-0603
LD276	LED AMBER SMT 0603	JS0009R-0603
LD277	LED AMBER SMT 0603	JS0009R-0603
LD278	LED AMBER SMT 0603	JS0009R-0603
LD279	LED AMBER SMT 0603	JS0009R-0603
LD280	LED AMBER SMT 0603	JS0009R-0603
LD281	LED AMBER SMT 0603	JS0009R-0603
LD282	LED AMBER SMT 0603	JS0009R-0603
LD283	LED AMBER SMT 0603	JS0009R-0603
LD284	LED AMBER SMT 0603	JS0009R-0603
LD285	LED AMBER SMT 0603	JS0009R-0603
LD286	LED AMBER SMT 0603	JS0009R-0603
LD287	LED AMBER SMT 0603	JS0009R-0603
LD288	LED AMBER SMT 0603	JS0009R-0603
LD289	SMD LED RED LST670-LM	JS0021R-PLCC2
LD290	SMD LED RED LST670-LM	JS0021R-PLCC2
LD291	SMD LED RED LST670-LM	JS0021R-PLCC2
LD292	SMD LED RED LST670-LM	JS0021R-PLCC2

LD293	SMD LED RED LST670-LM	JS0021R-PLCC2
LD294	SMD LED RED LST670-LM	JS0021R-PLCC2
LD295	SMD LED GREEN LGT670-LM	JS0019R-PLCC2
LD296	SMD LED GREEN LGT670-LM	JS0019R-PLCC2
LD297	SMD LED GREEN LGT670-LM	JS0019R-PLCC2
LD298	SMD LED GREEN LGT670-LM	JS0019R-PLCC2
LD299	SMD LED GREEN LGT670-LM	JS0019R-PLCC2
LD300	SMD LED GREEN LGT670-LM	JS0019R-PLCC2
LD301	SMD LED RED LST670-LM	JS0021R-PLCC2
LD302	SMD LED RED LST670-LM	JS0021R-PLCC2
LD303	SMD LED RED LST670-LM	JS0021R-PLCC2
LD304	SMD LED RED LST670-LM	JS0021R-PLCC2
LD305	SMD LED RED LST670-LM	JS0021R-PLCC2
LD306	SMD LED RED LST670-LM	JS0021R-PLCC2
LD307	LED AMBER SMT 0603	JS0009R-0603
LD308	SMD LED GREEN LGT670-LM	JS0019R-PLCC2
LD309	LED AMBER SMT 0603	JS0009R-0603
LD310	LED AMBER SMT 0603	JS0009R-0603
LD311	SMD LED GREEN LGT670-LM	JS0019R-PLCC2
LD312	LED AMBER SMT 0603	JS0009R-0603
LD313	LED AMBER SMT 0603	JS0009R-0603
LD314	SMD LED GREEN LGT670-LM	JS0019R-PLCC2
LD315	LED AMBER SMT 0603	JS0009R-0603
LD316	LED AMBER SMT 0603	JS0009R-0603
LD317	SMD LED GREEN LGT670-LM	JS0019R-PLCC2
LD318	LED AMBER SMT 0603	JS0009R-0603
LD319	LED AMBER SMT 0603	JS0009R-0603
LD320	SMD LED GREEN LGT670-LM	JS0019R-PLCC2
LD321	LED AMBER SMT 0603	JS0009R-0603
LD322	LED AMBER SMT 0603	JS0009R-0603
LD323	SMD LED GREEN LGT670-LM	JS0019R-PLCC2
LD324	LED AMBER SMT 0603	JS0009R-0603
LD325	SMD LED RED LST670-LM	JS0021R-PLCC2
LD326	SMD LED RED LST670-LM	JS0021R-PLCC2
LD327	SMD LED RED LST670-LM	JS0021R-PLCC2
LD328	SMD LED RED LST670-LM	JS0021R-PLCC2
LD329	SMD LED RED LST670-LM	JS0021R-PLCC2
LD330	SMD LED RED LST670-LM	JS0021R-PLCC2
R1	SM0805 RES 10K 1% 0.1W T200	AS0103R-0805F
R2	SM0805 RES 47R 1% 0.1W T200	AS0470R-0805F
R3	SM0805 RES 47R 1% 0.1W T200	AS0470R-0805F
R4	SM0805 RES 47R 1% 0.1W T200	AS0470R-0805F
R5	SM0805 RES 47R 1% 0.1W T200	AS0470R-0805F
R6	SM0805 RES 47R 1% 0.1W T200	AS0470R-0805F
R7	SM0805 RES 47R 1% 0.1W T200	AS0470R-0805F
R8	SM0805 RES 47R 1% 0.1W T200	AS0470R-0805F
R9	SM0805 RES 47R 1% 0.1W T200	AS0470R-0805F
R10	SM0805 RES 47R 1% 0.1W T200	AS0470R-0805F
R11	SM0805 RES 47R 1% 0.1W T200	AS0470R-0805F
R12	SM0805 RES 47R 1% 0.1W T200	AS0470R-0805F
R13	SM0805 RES 47R 1% 0.1W T200	AS0470R-0805F
R14	SM0805 RES 47R 1% 0.1W T200	AS0470R-0805F
R15	SM0805 RES 47R 1% 0.1W T200	AS0470R-0805F
R16	SM0805 RES 47R 1% 0.1W T200	AS0470R-0805F
R17	SM0805 RES 47R 1% 0.1W T200	AS0470R-0805F
R18	SM0805 RES 47R 1% 0.1W T200	AS0470R-0805F
R19	SM0805 RES 47R 1% 0.1W T200	AS0470R-0805F
R20	SM0805 RES 47R 1% 0.1W T200	AS0470R-0805F
R21	SM0805 RES 47R 1% 0.1W T200	AS0470R-0805F
R22	SM0805 RES 47R 1% 0.1W T200	AS0470R-0805F
R23	SM0805 RES 47R 1% 0.1W T200	AS0470R-0805F
R24	SM0805 RES 47R 1% 0.1W T200	AS0470R-0805F
R25	SM0805 RES 47R 1% 0.1W T200	AS0470R-0805F
R26	SM0805 RES 47R 1% 0.1W T200	AS0470R-0805F
R27	SM0805 RES 47R 1% 0.1W T200	AS0470R-0805F
R28	SM0805 RES 47R 1% 0.1W T200	AS0470R-0805F
R29	SM0805 RES 47R 1% 0.1W T200	AS0470R-0805F
R30	SM0805 RES 47R 1% 0.1W T200	AS0470R-0805F
R31	SM0805 RES 47R 1% 0.1W T200	AS0470R-0805F
R32	SM0805 RES 47R 1% 0.1W T200	AS0470R-0805F
R33	SM0805 RES 47R 1% 0.1W T200	AS0470R-0805F
R34	SM0805 RES 47R 1% 0.1W T200	AS0470R-0805F
R35	SM0805 RES 47R 1% 0.1W T200	AS0470R-0805F

R36	SM0805 RES 47R 1% 0.1W T200	AS0470R-0805F
R37	SM0805 RES 47R 1% 0.1W T200	AS0470R-0805F
R38	SM0805 RES 47R 1% 0.1W T200	AS0470R-0805F
R39	SM0805 RES 47R 1% 0.1W T200	AS0470R-0805F
R40	SM0805 RES 47R 1% 0.1W T200	AS0470R-0805F
R41	SM0805 RES 47R 1% 0.1W T200	AS0470R-0805F
R42	SM0805 RES 1K 1% 0.1W T200	AS0102R-0805F
R43	SM0805 RES 1K 1% 0.1W T200	AS0102R-0805F
R44	SM0805 RES 1K 1% 0.1W T200	AS0102R-0805F
R45	SM0805 RES 1K 1% 0.1W T200	AS0102R-0805F
R46	SM0805 RES 1K 1% 0.1W T200	AS0102R-0805F
R47	SM0805 RES 47R 1% 0.1W T200	AS0470R-0805F
R48	SM0805 RES 47R 1% 0.1W T200	AS0470R-0805F
R49	SM0805 RES 47R 1% 0.1W T200	AS0470R-0805F
R50	SM0805 RES 47R 1% 0.1W T200	AS0470R-0805F
R51	SM0805 RES 47R 1% 0.1W T200	AS0470R-0805F
R52	SM0805 RES 47R 1% 0.1W T200	AS0470R-0805F
R53	SM0805 RES 47R 1% 0.1W T200	AS0470R-0805F
R54	SM0805 RES 47R 1% 0.1W T200	AS0470R-0805F
R55	SM0805 RES 680K 1% 0.1W T200	AS0684R-0805F
R56	SM0805 RES 1K 1% 0.1W T200	AS0102R-0805F
R57	SM0805 RES 2K2 1% 0.1W T200	AS0222R-0805F
R58	SM0805 RES 33R 1% 0.1W T200	AS0330R-0805F
R59	SM0805 RES 390R 1% 0.1W T200	AS0391R-0805F
R60	SM0805 RES 390R 1% 0.1W T200	AS0391R-0805F
R61	SM0805 RES 390R 1% 0.1W T200	AS0391R-0805F
R62	SM0805 RES 390R 1% 0.1W T200	AS0391R-0805F
R63	SM0805 RES 390R 1% 0.1W T200	AS0391R-0805F
R64	SM0805 RES 390R 1% 0.1W T200	AS0391R-0805F
R65	SM0805 RES 1K 1% 0.1W T200	AS0102R-0805F
R66	SM0805 RES 2K2 1% 0.1W T200	AS0222R-0805F
R67	SM0805 RES 33R 1% 0.1W T200	AS0330R-0805F
R68	SM0805 RES 2K2 1% 0.1W T200	AS0222R-0805F
R69	SM0805 RES 33R 1% 0.1W T200	AS0330R-0805F
R70	SM0805 RES 1K 1% 0.1W T200	AS0102R-0805F
R71	SM0805 RES 2K2 1% 0.1W T200	AS0222R-0805F
R73	SM0805 RES 47R 1% 0.1W T200	AS0470R-0805F
R74	SM0805 RES 47R 1% 0.1W T200	AS0470R-0805F
R75	SM0805 RES 33R 1% 0.1W T200	AS0330R-0805F
R76	SM0805 RES 10K 1% 0.1W T200	AS0103R-0805F
R77	SM0805 RES 10K 1% 0.1W T200	AS0103R-0805F
R78	SM0805 RES 47R 1% 0.1W T200	AS0470R-0805F
R79	SM0805 RES 10R 1% 0.1W T200	AS0100R-0805F
T2	BCR108 NPN DIG TRAN 2K2/47K SM	BS0511R-SOT23
T3	BCR108 NPN DIG TRAN 2K2/47K SM	BS0511R-SOT23
T4	BCR108 NPN DIG TRAN 2K2/47K SM	BS0511R-SOT23
T5	BCR108 NPN DIG TRAN 2K2/47K SM	BS0511R-SOT23
T6	BCR108 NPN DIG TRAN 2K2/47K SM	BS0511R-SOT23
T7	BCR108 NPN DIG TRAN 2K2/47K SM	BS0511R-SOT23
T8	BCR108 NPN DIG TRAN 2K2/47K SM	BS0511R-SOT23
T9	BCR108 NPN DIG TRAN 2K2/47K SM	BS0511R-SOT23
T10	BCR108 NPN DIG TRAN 2K2/47K SM	BS0511R-SOT23
T11	BCR108 NPN DIG TRAN 2K2/47K SM	BS0511R-SOT23
T12	BCR108 NPN DIG TRAN 2K2/47K SM	BS0511R-SOT23
T13	BCR108 NPN DIG TRAN 2K2/47K SM	BS0511R-SOT23
T14	BCR108 NPN DIG TRAN 2K2/47K SM	BS0511R-SOT23
T15	BCR108 NPN DIG TRAN 2K2/47K SM	BS0511R-SOT23
T16	BCR108 NPN DIG TRAN 2K2/47K SM	BS0511R-SOT23
T17	BCR108 NPN DIG TRAN 2K2/47K SM	BS0511R-SOT23
T18	BCR108 NPN DIG TRAN 2K2/47K SM	BS0511R-SOT23
T19	BCR108 NPN DIG TRAN 2K2/47K SM	BS0511R-SOT23
T20	BCR108 NPN DIG TRAN 2K2/47K SM	BS0511R-SOT23
T21	BCR108 NPN DIG TRAN 2K2/47K SM	BS0511R-SOT23
T22	BCR108 NPN DIG TRAN 2K2/47K SM	BS0511R-SOT23
T23	BCR108 NPN DIG TRAN 2K2/47K SM	BS0511R-SOT23
T24	BCR108 NPN DIG TRAN 2K2/47K SM	BS0511R-SOT23
T25	BCR108 NPN DIG TRAN 2K2/47K SM	BS0511R-SOT23
T26	BCR108 NPN DIG TRAN 2K2/47K SM	BS0511R-SOT23
T27	PNP TRANS SMT FM717	BS0510R-SOT23
T28	PNP TRANS SMT FM717	BS0510R-SOT23
T29	PNP TRANS SMT FM717	BS0510R-SOT23
T30	PNP TRANS SMT FM717	BS0510R-SOT23
T31	PNP TRANS SMT FM717	BS0510R-SOT23

T32	PNP TRANS SMT FMMT717	BS0510R-SOT23
T33	BCR108 NPN DIG TRAN 2K2/47K SM	BS0511R-SOT23
T34	BCR108 NPN DIG TRAN 2K2/47K SM	BS0511R-SOT23
T35	BCR108 NPN DIG TRAN 2K2/47K SM	BS0511R-SOT23
T36	BCR108 NPN DIG TRAN 2K2/47K SM	BS0511R-SOT23
T37	BCR108 NPN DIG TRAN 2K2/47K SM	BS0511R-SOT23

RMID MAST SURFACE PCB SM ASSY

Ident	Description	Part Number
pcb	RMID MASTER SURFACE PCB	SC3947-07
C1	CAP CRMC 100NF 10% 50V X7R	CS7104R-0805K
C2	CAP CRMC 100NF 10% 50V X7R	CS7104R-0805K
C3	CAP CRMC 100NF 10% 50V X7R	CS7104R-0805K
C4	CAP CRMC 100NF 10% 50V X7R	CS7104R-0805K
C5	CAP CRMC 100NF 10% 50V X7R	CS7104R-0805K
C6	CAP CRMC 100NF 10% 50V X7R	CS7104R-0805K
C7	CAP CRMC 100NF 10% 50V X7R	CS7104R-0805K
C8	CAP CRMC 100NF 10% 50V X7R	CS7104R-0805K
C9	CAP CRMC 100NF 10% 50V X7R	CS7104R-0805K
C11	CAP CRMC 100NF 10% 50V X7R	CS7104R-0805K
C12	CAP CRMC 100NF 10% 50V X7R	CS7104R-0805K
C13	CAP CRMC 100NF 10% 50V X7R	CS7104R-0805K
C14	CAP CRMC 100NF 10% 50V X7R	CS7104R-0805K
C15	CAP CRMC 100NF 10% 50V X7R	CS7104R-0805K
C16	CAP CRMC 100NF 10% 50V X7R	CS7104R-0805K
C17	SM TANT CAP 2U2 25V CASE B	CS5228R-CASBK
C18	CAP CRMC 100NF 10% 50V X7R	CS7104R-0805K
C19	TANT CAP 10UF 10V CASE B	CS3106R-CASBK
C21	CAP CRMC 100NF 10% 50V X7R	CS7104R-0805K
C22	TANT CAP 10UF 10V CASE B	CS3106R-CASBK
C27	TANT CAP 10UF 10V CASE B	CS3106R-CASBK
C57	CAP CRMC 22PF 5% 50V NP0	CS1220R-0805J
C58	CAP CRMC 100NF 10% 50V X7R	CS7104R-0805K
C59	CAP CRMC 22PF 5% 50V NP0	CS1220R-0805J
D1	SMT DIODE COMMON ANODE BAW56	BS0017R-SOT23
D2	SMT DIODE COMMON ANODE BAW56	BS0017R-SOT23
D3	SMT DIODE COMMON ANODE BAW56	BS0017R-SOT23
D4	SMT DIODE COMMON ANODE BAW56	BS0017R-SOT23
D5	SMT DIODE COMMON ANODE BAW56	BS0017R-SOT23
D6	SMT DIODE COMMON ANODE BAW56	BS0017R-SOT23
D7	SMT DIODE COMMON ANODE BAW56	BS0017R-SOT23
D8	SMT DIODE COMMON ANODE BAW56	BS0017R-SOT23
D9	SMT DIODE COMMON ANODE BAW56	BS0017R-SOT23
D10	SMT DIODE COMMON ANODE BAW56	BS0017R-SOT23
D11	SMT DIODE COMMON ANODE BAW56	BS0017R-SOT23
D12	SMT DIODE COMMON ANODE BAW56	BS0017R-SOT23
D13	SMT DIODE COMMON ANODE BAW56	BS0017R-SOT23
D14	SMT DIODE COMMON ANODE BAW56	BS0017R-SOT23
D15	SMT DIODE COMMON ANODE BAW56	BS0017R-SOT23
D16	SMT DIODE COMMON ANODE BAW56	BS0017R-SOT23
D17	SMT DIODE COMMON ANODE BAW56	BS0017R-SOT23
D18	SMT DIODE COMMON ANODE BAW56	BS0017R-SOT23
D20	SMT DIODE COMMON ANODE BAW56	BS0017R-SOT23
D21	SMT DIODE COMMON ANODE BAW56	BS0017R-SOT23
D22	SMT DIODE COMMON ANODE BAW56	BS0017R-SOT23
D25	SMT DIODE COMMON ANODE BAW56	BS0017R-SOT23
D26	SMT DIODE COMMON ANODE BAW56	BS0017R-SOT23
D27	SMT DIODE COMMON ANODE BAW56	BS0017R-SOT23
D28	SMT DIODE COMMON ANODE BAW56	BS0017R-SOT23
D29	SMT DIODE COMMON ANODE BAW56	BS0017R-SOT23
D30	SMT DIODE COMMON ANODE BAW56	BS0017R-SOT23
D31	SMT DIODE COMMON ANODE BAW56	BS0017R-SOT23
D32	SMT DIODE COMMON ANODE BAW56	BS0017R-SOT23
D33	SMT DIODE COMMON ANODE BAW56	BS0017R-SOT23
D34	SMT DIODE COMMON ANODE BAW56	BS0017R-SOT23
D23	SMT DIODE COMMON ANODE BAW56	BS0017R-SOT23
D24	SMT DIODE COMMON ANODE BAW56	BS0017R-SOT23
IC1	74HC138 SM 3-8 DEC/MUX INV	BS2034R
IC2	SM PLCC SKT 44WY WITHOUT PEGS	FS0005R
IC2	RMID MAST CNTRL SURFACE PIC	RX1128-0.30
IC3	74HC4094 SM 8-STG SHFT/STORE	BS2519R
IC4	74HC4094 SM 8-STG SHFT/STORE	BS2519R

RG3947A-SM

IC5	74HC4094 SM 8-STG SHFT/STORE	BS2519R
IC6	74HC4094 SM 8-STG SHFT/STORE	BS2519R
IC7	74HC259 SM 8BIT ADRSBLE LTCH	BS2073R
IC8	74HC4051 8-1 ANALOG MUX SM	BS2511R-SO16
LED1	SMD LED GREEN LGT670-LM	JS0019R-PLCC2
LED2	SMD LED GREEN LGT670-LM	JS0019R-PLCC2
LED3	SMD LED GREEN LGT670-LM	JS0019R-PLCC2
LED4	SMD LED GREEN LGT670-LM	JS0019R-PLCC2
LED5	SMD LED GREEN LGT670-LM	JS0019R-PLCC2
LED6	SMD LED GREEN LGT670-LM	JS0019R-PLCC2
LED7	SMD LED GREEN LGT670-LM	JS0019R-PLCC2
LED8	SMD LED GREEN LGT670-LM	JS0019R-PLCC2
LED9	SMD LED GREEN LGT670-LM	JS0019R-PLCC2
LED10	SMD LED GREEN LGT670-LM	JS0019R-PLCC2
LED11	SMD LED GREEN LGT670-LM	JS0019R-PLCC2
LED12	SMD LED GREEN LGT670-LM	JS0019R-PLCC2
LED13	SMD LED GREEN LGT670-LM	JS0019R-PLCC2
LED14	SMD LED GREEN LGT670-LM	JS0019R-PLCC2
LED15	SMD LED GREEN LGT670-LM	JS0019R-PLCC2
LED16	SMD LED GREEN LGT670-LM	JS0019R-PLCC2
LED17	SMD LED GREEN LGT670-LM	JS0019R-PLCC2
LED18	SMD LED GREEN LGT670-LM	JS0019R-PLCC2
LED19	SMD LED GREEN LGT670-LM	JS0019R-PLCC2
LED20	SMD LED GREEN LGT670-LM	JS0019R-PLCC2
LED21	SMD LED GREEN LGT670-LM	JS0019R-PLCC2
LED22	SMD LED GREEN LGT670-LM	JS0019R-PLCC2
LED23	SMD LED GREEN LGT670-LM	JS0019R-PLCC2
LED24	SMD LED GREEN LGT670-LM	JS0019R-PLCC2
LED25	SMD LED GREEN LGT670-LM	JS0019R-PLCC2
LED26	SMD LED GREEN LGT670-LM	JS0019R-PLCC2
LED27	SMD LED GREEN LGT670-LM	JS0019R-PLCC2
LED28	SMD LED GREEN LGT670-LM	JS0019R-PLCC2
LED29	SMD LED GREEN LGT670-LM	JS0019R-PLCC2
LED30	SMD LED GREEN LGT670-LM	JS0019R-PLCC2
LED31	SMD LED GREEN LGT670-LM	JS0019R-PLCC2
LED32	SMD LED GREEN LGT670-LM	JS0019R-PLCC2
LED33	SMD LED RED LST670-LM	JS0021R-PLCC2
LED34	SMD LED RED LST670-LM	JS0021R-PLCC2
LED35	SMD LED RED LST670-LM	JS0021R-PLCC2
LED36	SMD LED RED LST670-LM	JS0021R-PLCC2
LED37	SMD LED RED LST670-LM	JS0021R-PLCC2
LED38	SMD LED RED LST670-LM	JS0021R-PLCC2
LED39	SMD LED RED LST670-LM	JS0021R-PLCC2
LED40	SMD LED RED LST670-LM	JS0021R-PLCC2
LED41	LED AMBER SMT 0603	JS0009R-0603
LED42	LED AMBER SMT 0603	JS0009R-0603
LED43	LED AMBER SMT 0603	JS0009R-0603
LED44	LED AMBER SMT 0603	JS0009R-0603
LED45	LED AMBER SMT 0603	JS0009R-0603
LED46	LED AMBER SMT 0603	JS0009R-0603
LED47	LED AMBER SMT 0603	JS0009R-0603
LED48	LED AMBER SMT 0603	JS0009R-0603
LED49	LED AMBER SMT 0603	JS0009R-0603
LED50	LED AMBER SMT 0603	JS0009R-0603
LED51	LED AMBER SMT 0603	JS0009R-0603
LED52	LED AMBER SMT 0603	JS0009R-0603
LED53	SMD LED RED LST670-LM	JS0021R-PLCC2
R1	SM0805 RES 1K 1% 0.1W T200	AS0102R-0805F
R2	SM0805 RES 1K 1% 0.1W T200	AS0102R-0805F
R3	SM0805 RES 1K 1% 0.1W T200	AS0102R-0805F
R4	SM0805 RES 1K 1% 0.1W T200	AS0102R-0805F
R5	SM0805 RES 1K 1% 0.1W T200	AS0102R-0805F
R6	SM0805 RES 1K 1% 0.1W T200	AS0102R-0805F
R7	SM0805 RES 1K 1% 0.1W T200	AS0102R-0805F
R8	SM0805 RES 1K 1% 0.1W T200	AS0102R-0805F
R9	SM0805 RES 10K 1% 0.1W T200	AS0103R-0805F
R10	SM0805 RES 10K 1% 0.1W T200	AS0103R-0805F
R11	SM0805 RES 10K 1% 0.1W T200	AS0103R-0805F
R12	SM0805 RES 2K2 1% 0.1W T200	AS0222R-0805F
R13	SM0805 RES 2K2 1% 0.1W T200	AS0222R-0805F
R14	SM0805 RES 2K2 1% 0.1W T200	AS0222R-0805F
R15	SM0805 RES 2K2 1% 0.1W T200	AS0222R-0805F
R16	SM0805 RES 2K2 1% 0.1W T200	AS0222R-0805F

R17	SM0805 RES 2K2 1% 0.1W T200	AS0222R-0805F
R18	SM0805 RES 2K2 1% 0.1W T200	AS0222R-0805F
R19	SM0805 RES 2K2 1% 0.1W T200	AS0222R-0805F
R20	SM0805 RES 2K2 1% 0.1W T200	AS0222R-0805F
R21	SM0805 RES 2K2 1% 0.1W T200	AS0222R-0805F
R22	SM0805 RES 2K2 1% 0.1W T200	AS0222R-0805F
R23	SM0805 RES 33R 1% 0.1W T200	AS0330R-0805F
R24	SM0805 RES 33R 1% 0.1W T200	AS0330R-0805F
R25	SM0805 RES 33R 1% 0.1W T200	AS0330R-0805F
R26	SM0805 RES 33R 1% 0.1W T200	AS0330R-0805F
R27	SM0805 RES 33R 1% 0.1W T200	AS0330R-0805F
R28	SM0805 RES 33R 1% 0.1W T200	AS0330R-0805F
R29	SM0805 RES 33R 1% 0.1W T200	AS0330R-0805F
R30	SM0805 RES 33R 1% 0.1W T200	AS0330R-0805F
R31	SM0805 RES 33R 1% 0.1W T200	AS0330R-0805F
R32	SM0805 RES 33R 1% 0.1W T200	AS0330R-0805F
R33	SM0805 RES 33R 1% 0.1W T200	AS0330R-0805F
R34	SM0805 RES 33R 1% 0.1W T200	AS0330R-0805F
R35	SM0805 RES 33R 1% 0.1W T200	AS0330R-0805F
R36	SM0805 RES 33R 1% 0.1W T200	AS0330R-0805F
R37	SM0805 RES 33R 1% 0.1W T200	AS0330R-0805F
R38	SM0805 RES 33R 1% 0.1W T200	AS0330R-0805F
R39	SM0805 RES 33R 1% 0.1W T200	AS0330R-0805F
R40	SM0805 RES 33R 1% 0.1W T200	AS0330R-0805F
R41	SM0805 RES 33R 1% 0.1W T200	AS0330R-0805F
R42	SM0805 RES 33R 1% 0.1W T200	AS0330R-0805F
R43	SM0805 RES 33R 1% 0.1W T200	AS0330R-0805F
R44	SM0805 RES 33R 1% 0.1W T200	AS0330R-0805F
R45	SM0805 RES 33R 1% 0.1W T200	AS0330R-0805F
R46	SM0805 RES 33R 1% 0.1W T200	AS0330R-0805F
R47	SM0805 RES 33R 1% 0.1W T200	AS0330R-0805F
R48	SM0805 RES 33R 1% 0.1W T200	AS0330R-0805F
R49	SM0805 RES 33R 1% 0.1W T200	AS0330R-0805F
R50	SM0805 RES 33R 1% 0.1W T200	AS0330R-0805F
R51	SM0805 RES 33R 1% 0.1W T200	AS0330R-0805F
R52	SM0805 RES 33R 1% 0.1W T200	AS0330R-0805F
R53	SM0805 RES 47R 1% 0.1W T200	AS0470R-0805F
R54	SM0805 RES 47R 1% 0.1W T200	AS0470R-0805F
R55	SM0805 RES 0R 1% 0.1W T200	AS0000R-0805F
R56	SM0805 RES 680K 1% 0.1W T200	AS0684R-0805F
R60	SM0805 RES 390R 1% 0.1W T200	AS0391R-0805F
R61	SM0805 RES 390R 1% 0.1W T200	AS0391R-0805F
R62	SM0805 RES 390R 1% 0.1W T200	AS0391R-0805F
R63	SM0805 RES 390R 1% 0.1W T200	AS0391R-0805F
R64	SM0805 RES 390R 1% 0.1W T200	AS0391R-0805F
R65	SM0805 RES 390R 1% 0.1W T200	AS0391R-0805F
R79	SM0805 RES 10R 1% 0.1W T200	AS0100R-0805F
T2	BCR108 NPN DIG TRAN 2K2/47K SM	BS0511R-SOT23
T3	BCR108 NPN DIG TRAN 2K2/47K SM	BS0511R-SOT23
T4	BCR108 NPN DIG TRAN 2K2/47K SM	BS0511R-SOT23
T5	BCR108 NPN DIG TRAN 2K2/47K SM	BS0511R-SOT23
T6	BCR108 NPN DIG TRAN 2K2/47K SM	BS0511R-SOT23
T7	BCR108 NPN DIG TRAN 2K2/47K SM	BS0511R-SOT23
T8	BCR108 NPN DIG TRAN 2K2/47K SM	BS0511R-SOT23
T9	BCR108 NPN DIG TRAN 2K2/47K SM	BS0511R-SOT23
T10	BCR108 NPN DIG TRAN 2K2/47K SM	BS0511R-SOT23
T11	BCR108 NPN DIG TRAN 2K2/47K SM	BS0511R-SOT23
T12	BCR108 NPN DIG TRAN 2K2/47K SM	BS0511R-SOT23
T13	BCR108 NPN DIG TRAN 2K2/47K SM	BS0511R-SOT23
T14	BCR108 NPN DIG TRAN 2K2/47K SM	BS0511R-SOT23
T15	BCR108 NPN DIG TRAN 2K2/47K SM	BS0511R-SOT23
T16	BCR108 NPN DIG TRAN 2K2/47K SM	BS0511R-SOT23
T17	BCR108 NPN DIG TRAN 2K2/47K SM	BS0511R-SOT23
T20	PNP TRANS SMT FMMT717	BS0510R-SOT23
T24	BCR108 NPN DIG TRAN 2K2/47K SM	BS0511R-SOT23
T25	BCR108 NPN DIG TRAN 2K2/47K SM	BS0511R-SOT23
T26	BCR108 NPN DIG TRAN 2K2/47K SM	BS0511R-SOT23
T27	BCR108 NPN DIG TRAN 2K2/47K SM	BS0511R-SOT23
T28	BCR108 NPN DIG TRAN 2K2/47K SM	BS0511R-SOT23
T29	BCR108 NPN DIG TRAN 2K2/47K SM	BS0511R-SOT23
T30	BCR108 NPN DIG TRAN 2K2/47K SM	BS0511R-SOT23
T31	BCR108 NPN DIG TRAN 2K2/47K SM	BS0511R-SOT23
T32	BCR108 NPN DIG TRAN 2K2/47K SM	BS0511R-SOT23

T33	BCR108 NPN DIG TRAN 2K2/47K SM	BS0511R-SOT23
T34	BCR108 NPN DIG TRAN 2K2/47K SM	BS0511R-SOT23
T35	BCR108 NPN DIG TRAN 2K2/47K SM	BS0511R-SOT23
T36	BCR108 NPN DIG TRAN 2K2/47K SM	BS0511R-SOT23
T37	BCR108 NPN DIG TRAN 2K2/47K SM	BS0511R-SOT23
T38	BCR108 NPN DIG TRAN 2K2/47K SM	BS0511R-SOT23
TR1	PNP TRANS SMT FMMT717	BS0510R-SOT23
TR18	PNP TRANS SMT FMMT717	BS0510R-SOT23
TR19	PNP TRANS SMT FMMT717	BS0510R-SOT23
TR21	PNP TRANS SMT FMMT717	BS0510R-SOT23
TR22	PNP TRANS SMT FMMT717	BS0510R-SOT23
TR23	PNP TRANS SMT FMMT717	BS0510R-SOT23
Z30	SM0805 RES 10R 1% 0.1W T200	AS0100R-0805F

MISCELLANEOUS HARDWARE

Description	Part Number	Used in: (part number)
2BA TERMINAL BINDING POST	NZ2219	RS2245
4MM ROUND INTRNL THREAD HANDLE	NZ2375	RS2245, RS2247, RS2248
6MM FOAM PADS	ZZ2885	RS2245
DELTA JACK WASHER (BEZEL)	NC0265	RS2250, RS2250PG, RS2254
DUAL LCKNG MIN SPPRT POST 15.9	ND0477	RS2245
DUAL LOCKING MINI SUPPORT POST	ND0466	RS2245, RS2247, RS2248
FILTER 100PF RFI TAPED	ZZ2893R	RA4202, RA4203, RA4205, RA4206, RA4207, RA4208A, RB4204
M2.5X6MM PAN POZ BLK TAPTITE	NA0384	RS2245, RS2247, RS2248
M3 BLACK NYLON WASHER	NC0231	RA4205, RB4204, RC4184
M3 NYLON INSERT NUT	NB0113	RC4184, RS2245
M3 X 8MM PAN POZI BLCK SCRW	NA0130	RR1258, RR1259, RR1260
M3 X 8MM PAN POZI PLTD SCREW	NA0116	RC4184
M3X12 HEX PILLAR	ND0476	RV4177
M3X12MM PAN POZI SCREW BLACK	NA0237	RR1258, RR1259, RR1260
M3X15 TAPPED PLASTIC SPACER	ND0359	RS2245, RS2247, RS2248
M3X16 HEX THREAD SPACER	ND0461	RS2245
M3X5 CSK POZI BLK TRUNCATED SC	NA0328	RS2250, RS2250PG, RS2251, RS2251PG, RS2253, RS2254, RW5660
M3X6 FLANGE SCREW BLK POZI	NA0397	RR1258, RR1259, RR1260, RS2250, RS2250PG, RS2251, RS2251PG, RS2253, RS2254
M3X6 PAN POZI(PLASTIC)SCR	NA0453	RS2245, RS2247, RS2248
M3X6 PN PZI W/CAPT WASHER ZNC	NA0401	RS2163, RS2165, RS2219, RS2245, RS2255, RS2261, RS2267, RV4177
M3X7X6 SPACER ML/FML	ND0469	RS2250, RS2250PG, RS2251, RS2251PG, RS2253, RS2254
M3X8 PAN POZI SEMS BLK	NA0452	RS2245
M3X8MM CSK POZI SCREW BLACK	NA0210	RS2245, RS2247, RS2248
M4 BARB NUT	NB0168	RT2061, RT2069, RT2070
M4 NYLON INSERT NUT TYPE T	NB0127	RR1259
M4X12MM HEX HEAD SCR ZINC	NA0276	RT2061, RT2069, RT2070
M4X8MM PAN POZI SCR ZINC	NA0225	RT2061, RT2069, RT2070
M5 S/PROOF WASHER	NC0217	RS2245
NO.2 X 5/16 PAN POZ B ZINC	NA0430	RG3947, RG3947-US
NO.4X3/8" CSK POZI BLK S/T	NA0070	RS2163, RS2165, RS2219, RS2255, RS2261, RS2267
NO4X1/4" PAN POZI ZNC &PASS AB	NA0190	RA4202, RA4203, RA4205, RA4206, RB4204, RS2163, RS2165, RS2219, RS2255, RS2261, RS2267
NO4X3/8" PAN POZI S/T BLK SCRW	NA0249	RS2247, RS2248
NO8X1/2"AB FLANGE HEAD SCR	NA0335	RT2061, RT2069, RT2070
NYLON WASHER 3.2MM THICK	NC0292	RR1258, RR1259, RR1260
RICHO PCB SPACER 1.59 HIGH	ND0457	RG3947, RG3947-US
RICHO SCREW ON PLASTIC FEET	ZZ2541	RT2061, RT2069, RT2070
RMID 12I/P CARTON	TA0471	RY5661
RMID 12I/P NO SCRIPT CARTON	TA0517	RY5662
RMID 12I/P POLY KIT	TB0297	RY5661, RY5662
RMID 6I/P CARTON	TA0470	RY5660
RMID 6I/P POLY KIT	TB0296	RY5660
RMID CABLE TRAY	TA0472	RY5660, RY5661, RY5662
S30 SPEAKER FRET FABRIC	ZZ2765	RS2163, RS2165, RS2219, RS2255, RS2261, RS2267
SPEAKER 8R 2W 66MM DIA FLANGED	ZZ2846	RS2163, RS2165, RS2219, RS2255, RS2261, RS2267
SPIRE CPTVE NT SNU/1812/17/4	NZ2236	RS2163, RS2165, RS2219, RS2255, RS2261, RS2267
SPIRIT LIVE 4/8 PLASTIC BLOCK	ND0416	RS2163, RS2165, RS2219, RS2255, RS2261, RS2267
VIB RES CRIMP TAG V3 TIN PLT	NE0415	RV4177

