

PIN NUMBERS ON IFCN1 CONNECTOR. REPEATED FOR OTHER BLOCKS OF 4 CHANNELS

PRE AMP & EQ

SOUNDCRAFT OWNS THE COPYRIGHT OF THIS DRAWING WHICH IS NOT TO BE COPIED, REPRODUCED OR DISCLOSED, IN PART OR IN WHOLE TO A THIRD PARTY WITHOUT WRITTEN PERMISSION.

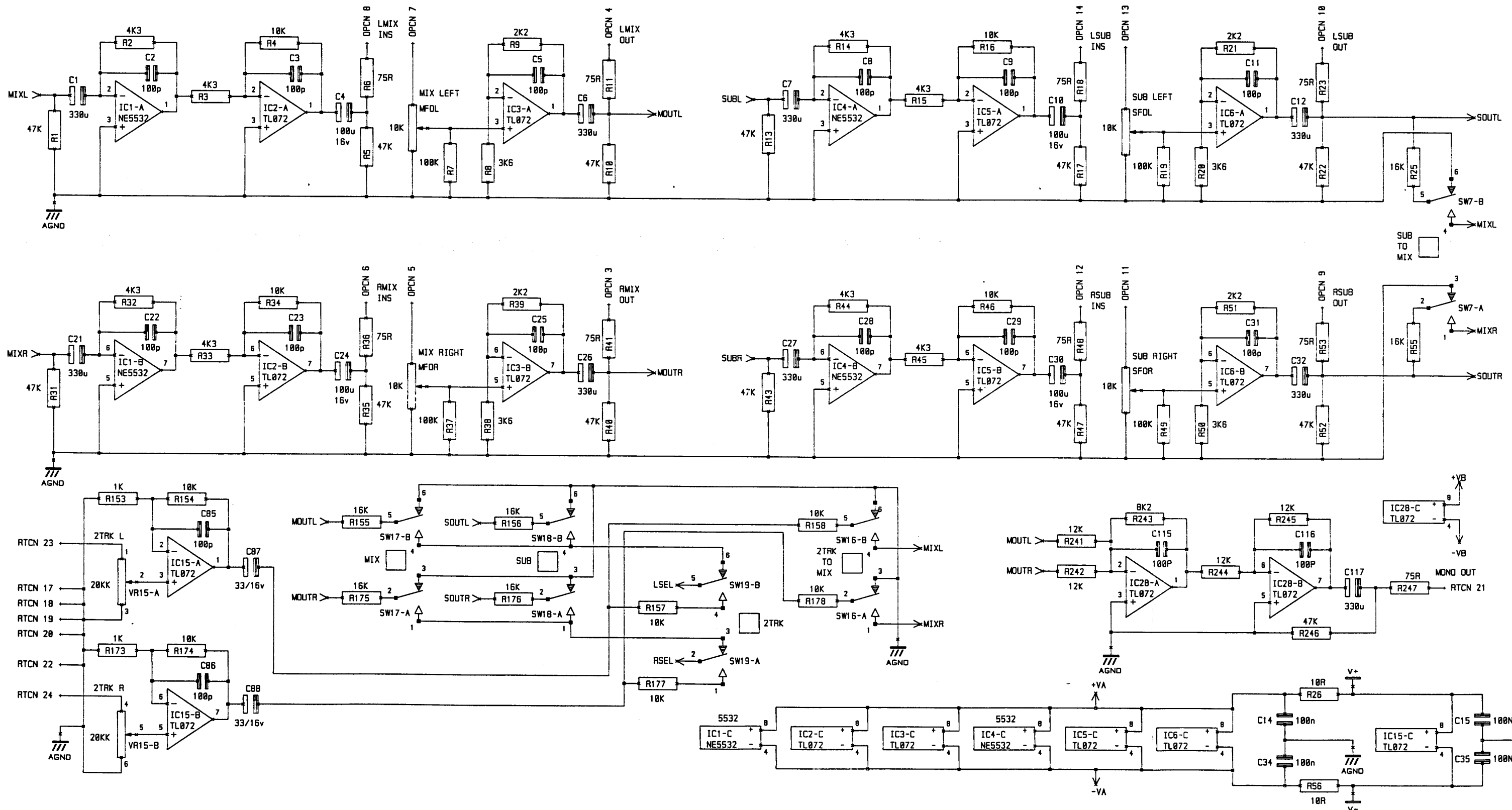
NOTES

NOTES

SOUNDCRAFT
HARMAN INT. INDUSTRIES LTD.
CRANBORNE HOUSE,
CRANBORNE ROAD,
POTTERS BAR,
HERTS. EN6 3JN.
TEL: 01707 665000
FAX: 01707 660402

DRN. GH8

TITLE SPIRIT FX16 MONO INPUT
ORG NO. ED 3897A



SOUNDCRAFT OWNS THE COPYRIGHT OF THIS DRAWING WHICH IS NOT TO BE COPIED, REPRODUCED OR DISCLOSED, IN PART OR IN WHOLE TO A THIRD PARTY WITHOUT WRITTEN PERMISSION.

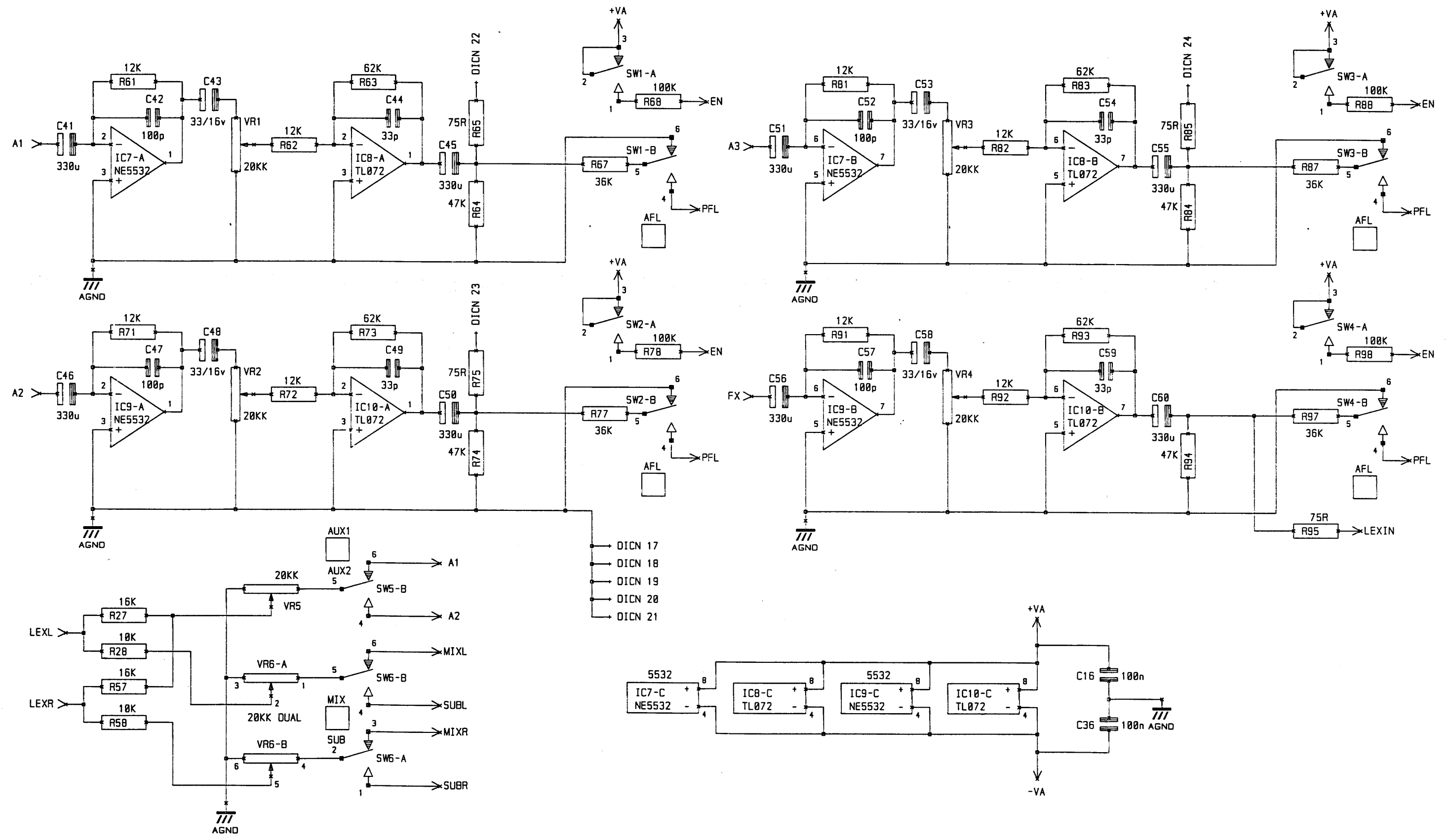
NOTES

NO NOTATIONS ARE PRESENT IN THIS DRAWING.

SOUNDCRAFT
HARMAN INT. INDUSTRIES LTD.
CRANBORNE HOUSE,
CRANBORNE ROAD,
POTTERS BAR.
HERTS., EN6 3JN
TEL: 01707 665000
FAX: 01707 660482

DRN. GH8

TITLE SPIRIT FX16
MASTER 1
ORG NO. ED3897C
SHT. 3 OF 7



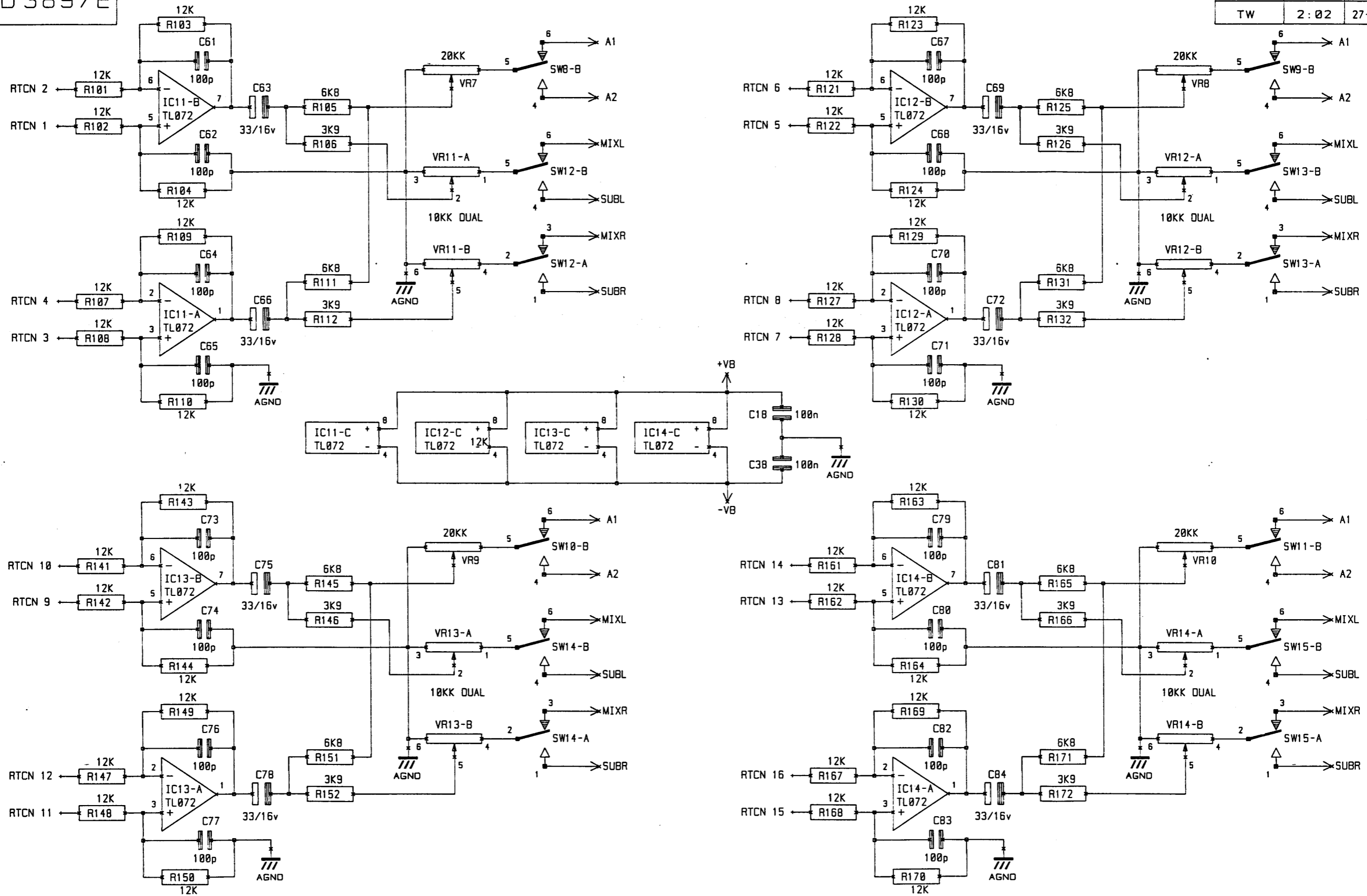
SOUNDCRAFT OWNS THE COPYRIGHT OF THIS DRAWING WHICH IS NOT TO BE COPIED, REPRODUCED OR DISCLOSED, IN PART OR IN WHOLE TO A THIRD PARTY WITHOUT WRITTEN PERMISSION.

NOTES

SOUNDCRAFT
HARMAN INT. INDUSTRIES LTD.
CRANBORNE HOUSE,
CRANBORNE ROAD,
POTTERS BAR,
HERTS., EN6 3JN.
TEL: 01707 665000
FAX: 01707 660482

DRN. GHB

TITLE SPIRIT FX16 MASTER 2
ORG NO. ED3897D
SHT. 4 OF 7



SOUNDCRAFT OWNS THE
 COPYRIGHT OF THIS DRAWING
 WHICH IS NOT TO BE COPIED,
 REPRODUCED OR DISCLOSED, IN PART
 OR IN WHOLE TO A THIRD PARTY
 WITHOUT WRITTEN PERMISSION.

NOTES

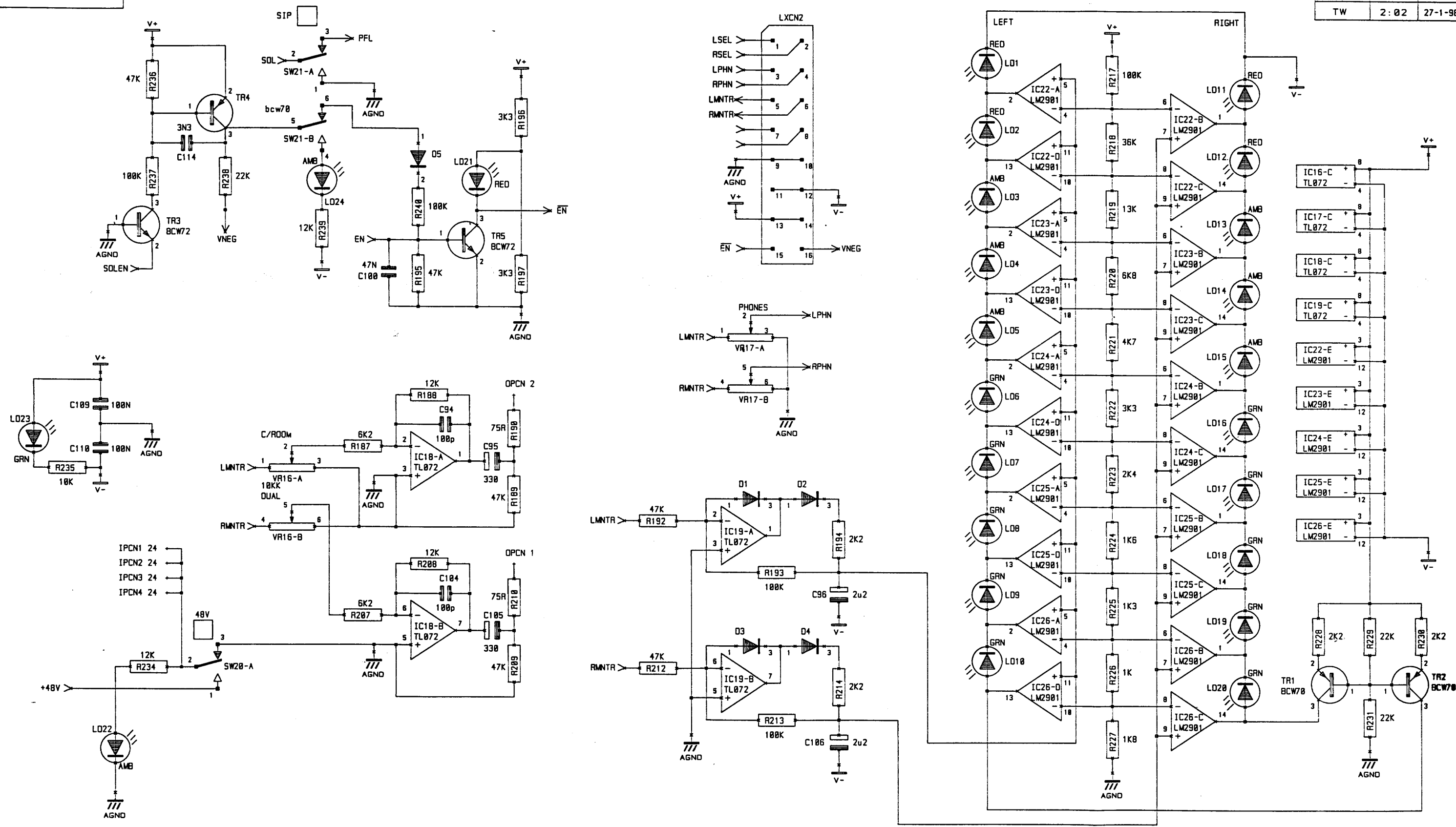
SOUNDCRAFT
 HARMAN INT. INDUSTRIES LTD.
 CRANBORNE HOUSE,
 CRANBORNE ROAD,
 POTTERS BAR,
 HERTS., ENG 3JN.
 TEL: 01707 665000
 FAX: 01707 660482

ORN. GHB

TITLE SPIRIT FX16
 MASTER 3

ORG NO. ED 3897E

| INITIAL | ISSUE | DATE |
|---------|-------|---------|
| TW | 2:02 | 27-1-98 |



SOUNDCRAFT OWNS THE COPYRIGHT OF THIS DRAWING WHICH IS NOT TO BE COPIED, REPRODUCED OR DISCLOSED, IN PART OR IN WHOLE TO A THIRD PARTY WITHOUT WRITTEN PERMISSION.

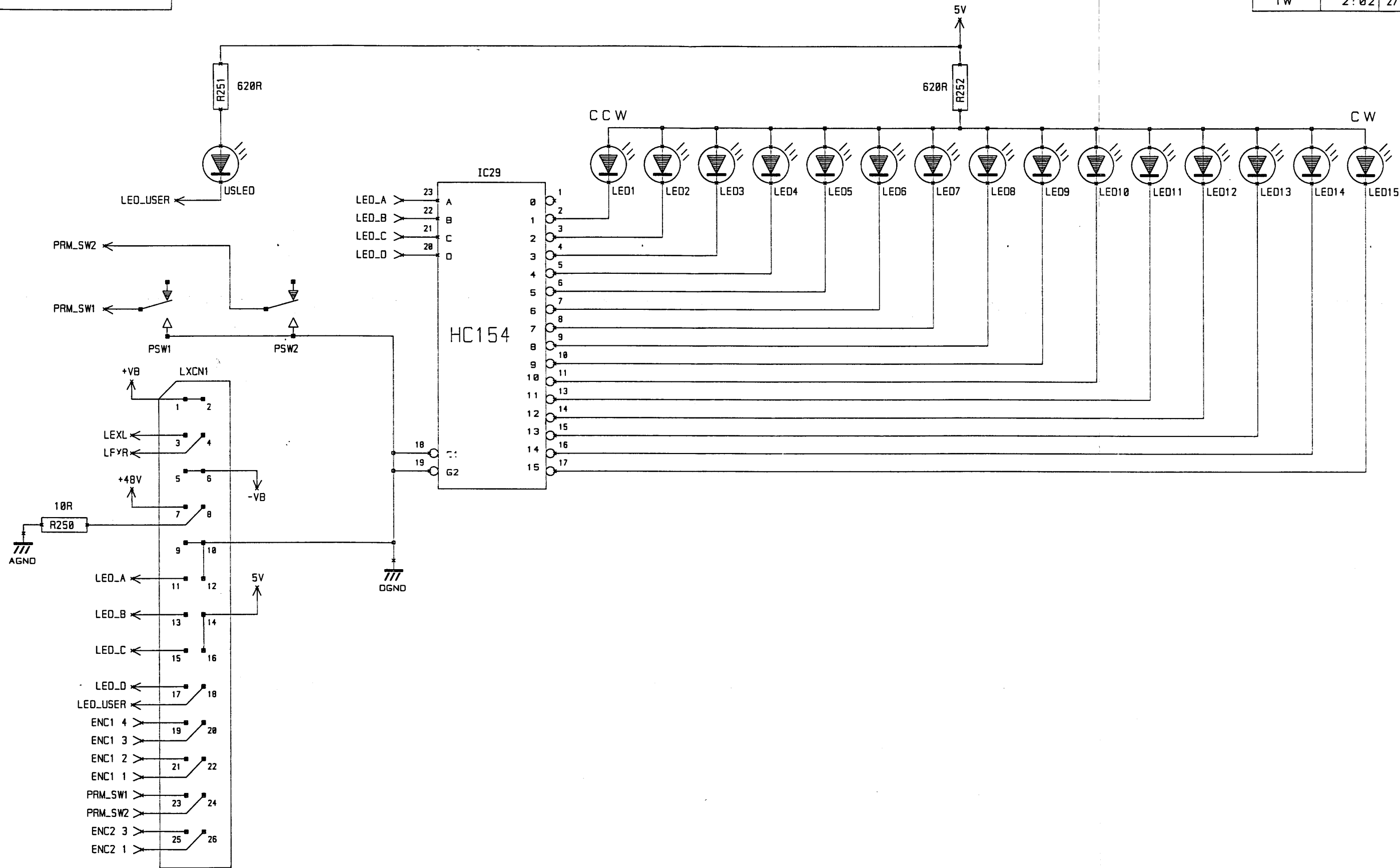
NOTES
C114 CHANGED FROM 4N7 TO 3N3

SOUNDCRAFT
HARMAN INT. INDUSTRIES LTD.
CRANBORNE HOUSE,
POTTERS BAR,
HERTS., EN6 3JN
TEL: 01707 665000
FAX: 01707 660482

DRN. GHB

TITLE
SPIRIT FX16
MASTER D

DRG NO. ED 3897F



SOUNDCRAFT OWNS THE COPYRIGHT OF THIS DRAWING WHICH IS NOT TO BE COPIED, REPRODUCED OR DISCLOSED, IN PART OR IN WHOLE TO A THIRD PARTY WITHOUT WRITTEN PERMISSION.

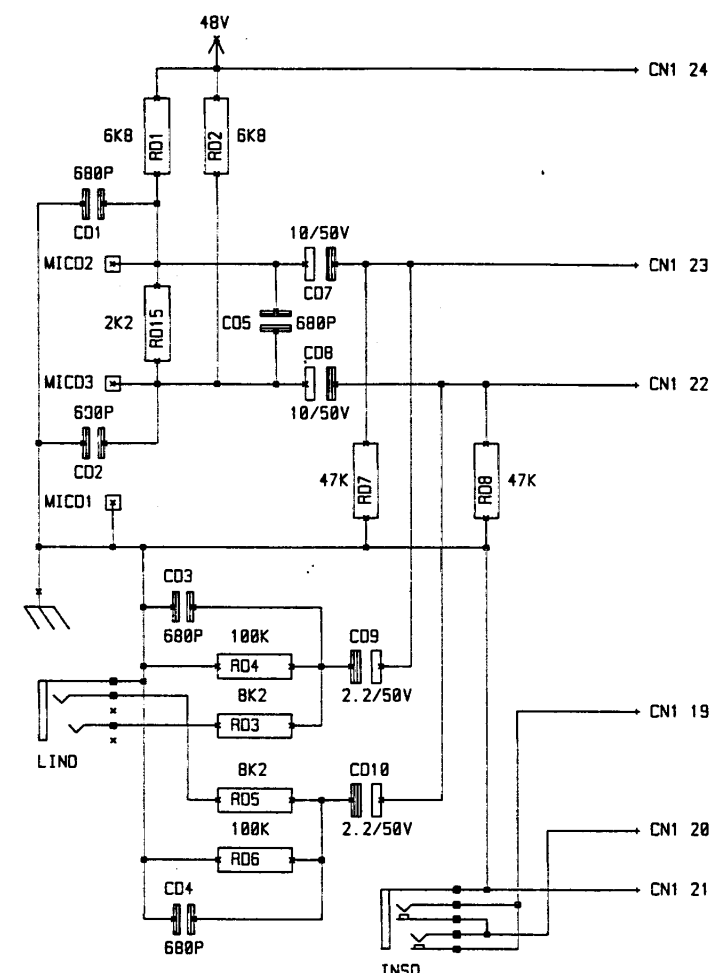
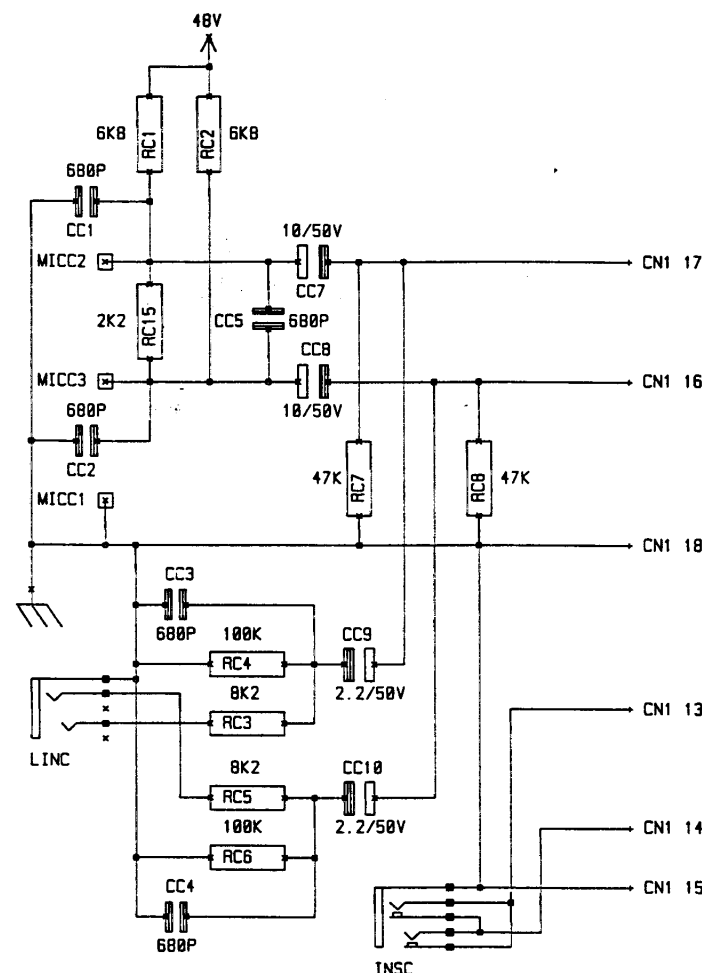
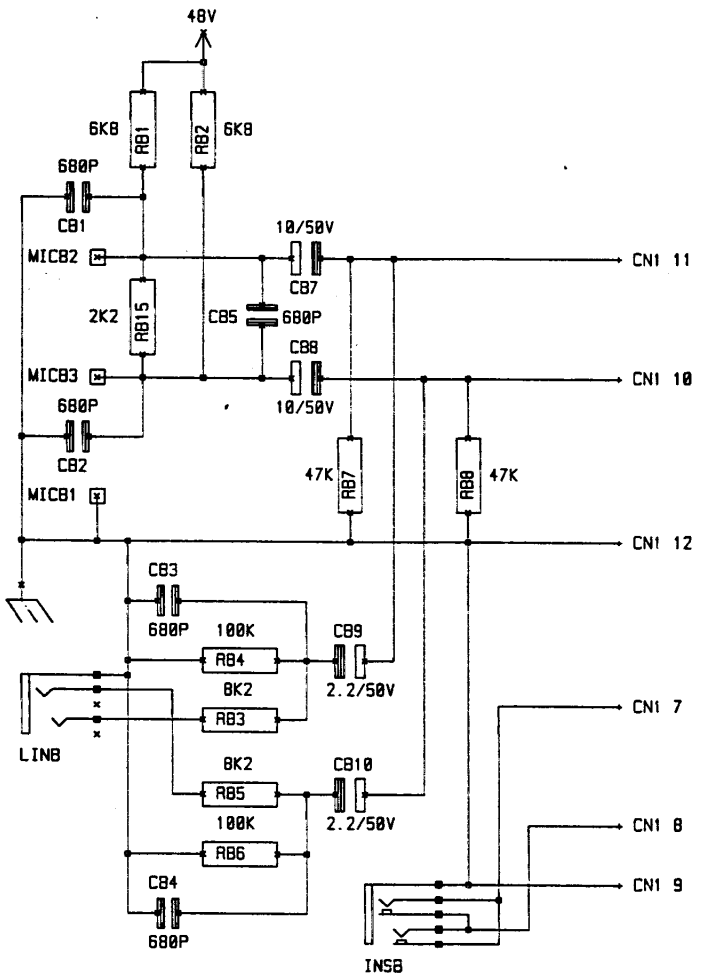
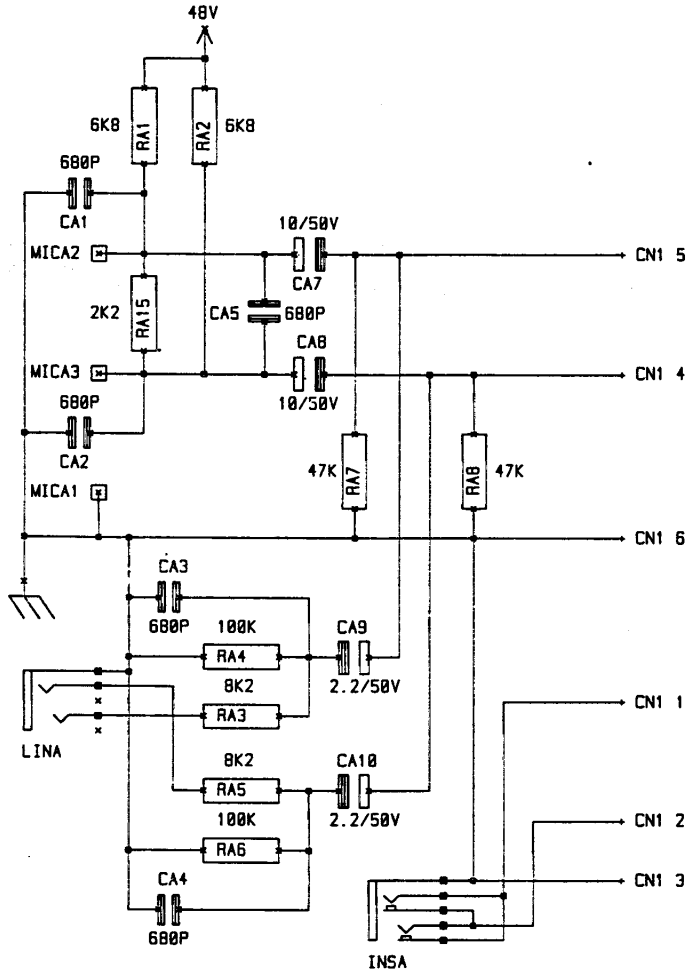
- NOTES
1. PARAM SWITCHES PULL UP RES ON LEXICHIP PCB.
 2. 4 BIT GRAY CODE AND 2 BIT INC ENCODERS NOT SHOWN. PULL UPS ON LEXICHIP PCB.
 3. +VB AND -VB ARE FROM +17V AND -17V ON PSU.

SOUNDCRAFT
HARMAN INT. INDUSTRIES LTD.
CRANBORNE HOUSE,
CRANBORNE ROAD,
POTTERS BAR,
HERTS., EN6 3JN.
TEL: 01707 665000
FAX: 01707 660482

DRN. GHB

TITLE
SPIRIT FX16
LEXICON INTERFACE

DRG NO. ED3897G



SOUNDCRAFT OWNS THE COPYRIGHT OF THIS DRAWING WHICH IS NOT TO BE COPIED, REPRODUCED OR DISCLOSED, IN PART OR IN WHOLE TO A THIRD PARTY WITHOUT WRITTEN PERMISSION.

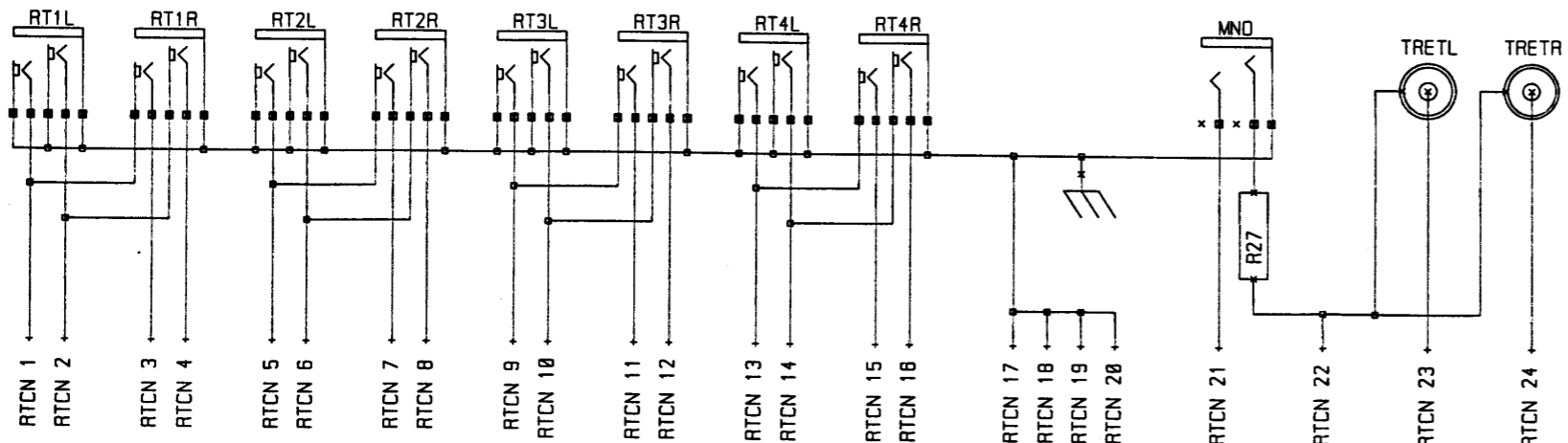
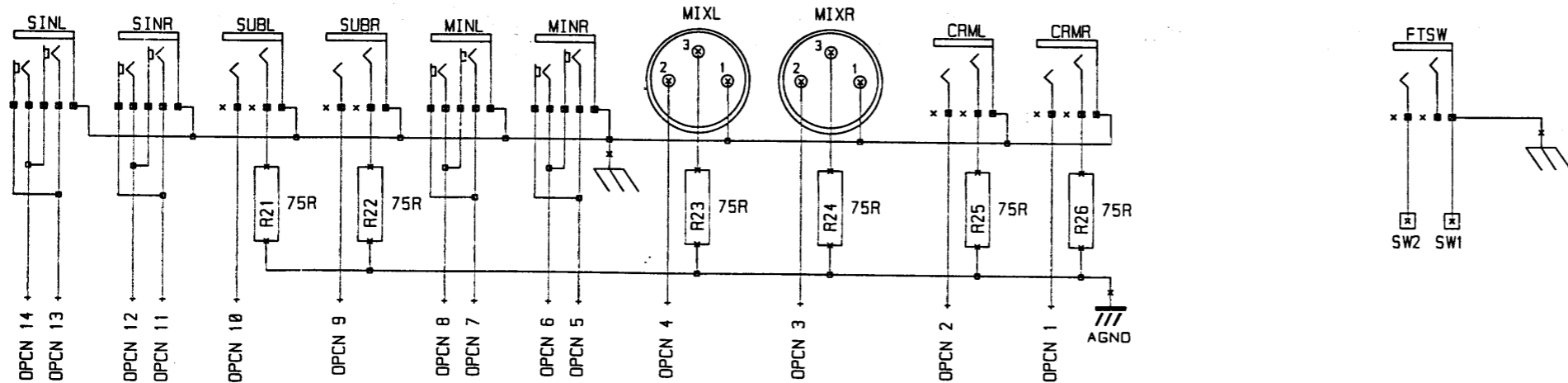
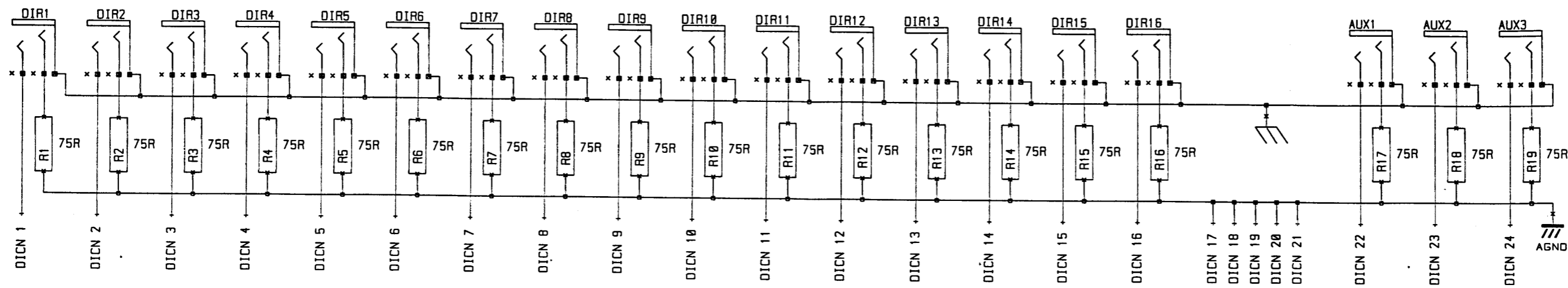
NOTES

SOUNDCRAFT
HARMAN INT. INDUSTRIES LTD.
CRANBORNE HOUSE,
CRANBORNE ROAD,
POTTERS BAR.
HERTS., EN6 3JN
TEL: 01707 665000
FAX: 01707 660482

DRN. GHB

TITLE SPIRIT FX16
REARCON BOARD

DRG NO. ED3898A



SOUNDCRAFT OWNS THE COPYRIGHT OF THIS DRAWING WHICH IS NOT TO BE COPIED, REPRODUCED OR DISCLOSED, IN PART OR IN WHOLE TO A THIRD PARTY WITHOUT WRITTEN PERMISSION.

NOTES

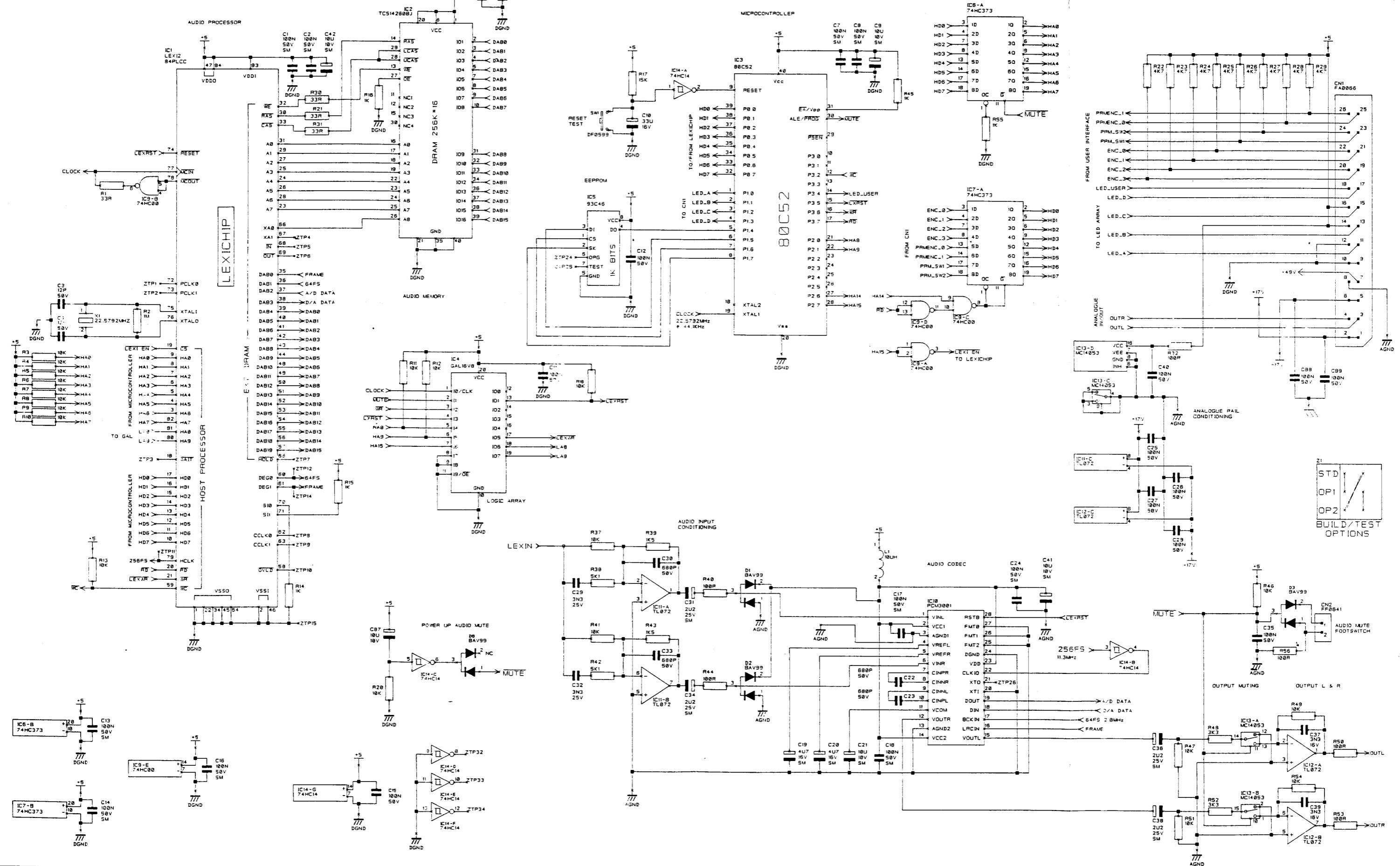
SOUNDCRAFT
HARMAN INT. INDUSTRIES LTD.
CRANBORNE HOUSE,
CRANBORNE ROAD,
POTTERS BAR,
HERTS., EN6 3JN.
TEL: 01707 665000
FAX: 01707 660482

DRN. GHB

TITLE SPIRIT FX16
OUTPUT REARCON

DRG NO. ED3898B

SHT. 2 OF 2

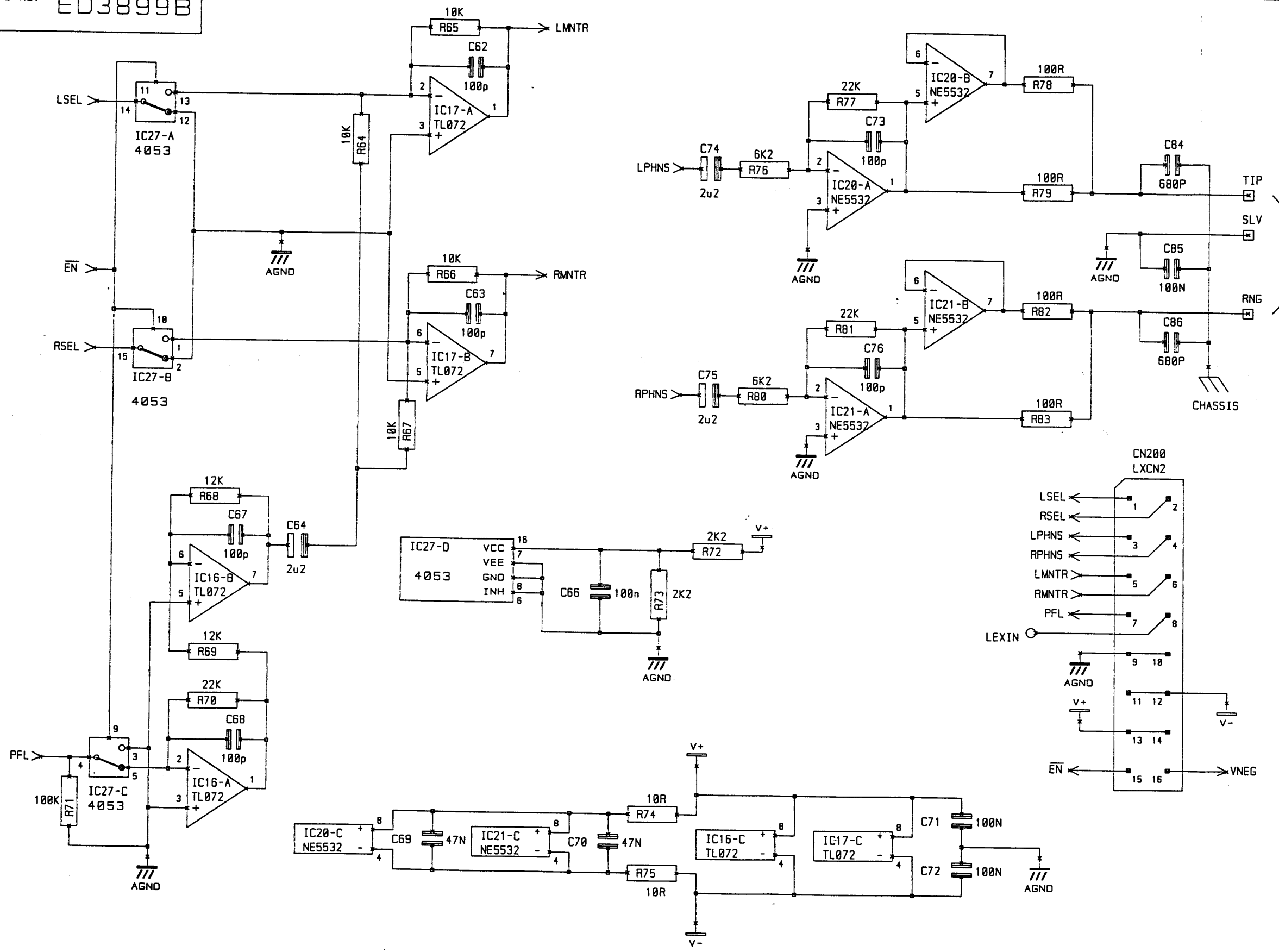


NOTES

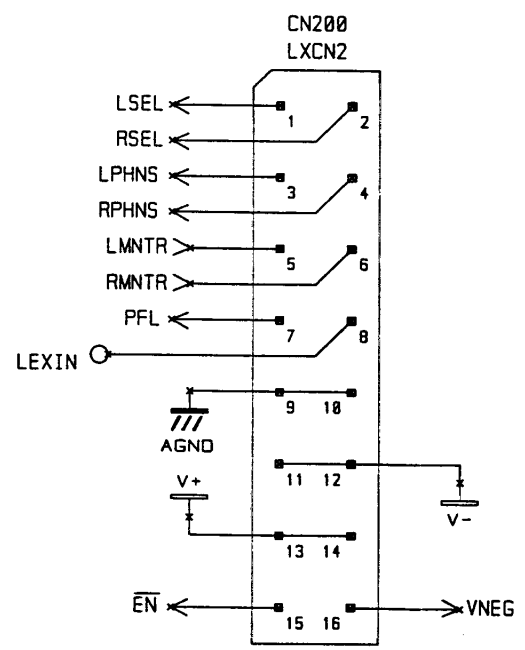
DRN. PRH

TITLE
SPIRIT FX16
LEXICON EFFECTS PCB

DRG NO. ED3899A



HANDWIRED TO PHNS JACK SOCKET.



SOUNDCRAFT OWNS THE COPYRIGHT OF THIS DRAWING WHICH IS NOT TO BE COPIED, REPRODUCED OR DISCLOSED, IN PART OR IN WHOLE TO A THIRD PARTY WITHOUT WRITTEN PERMISSION.

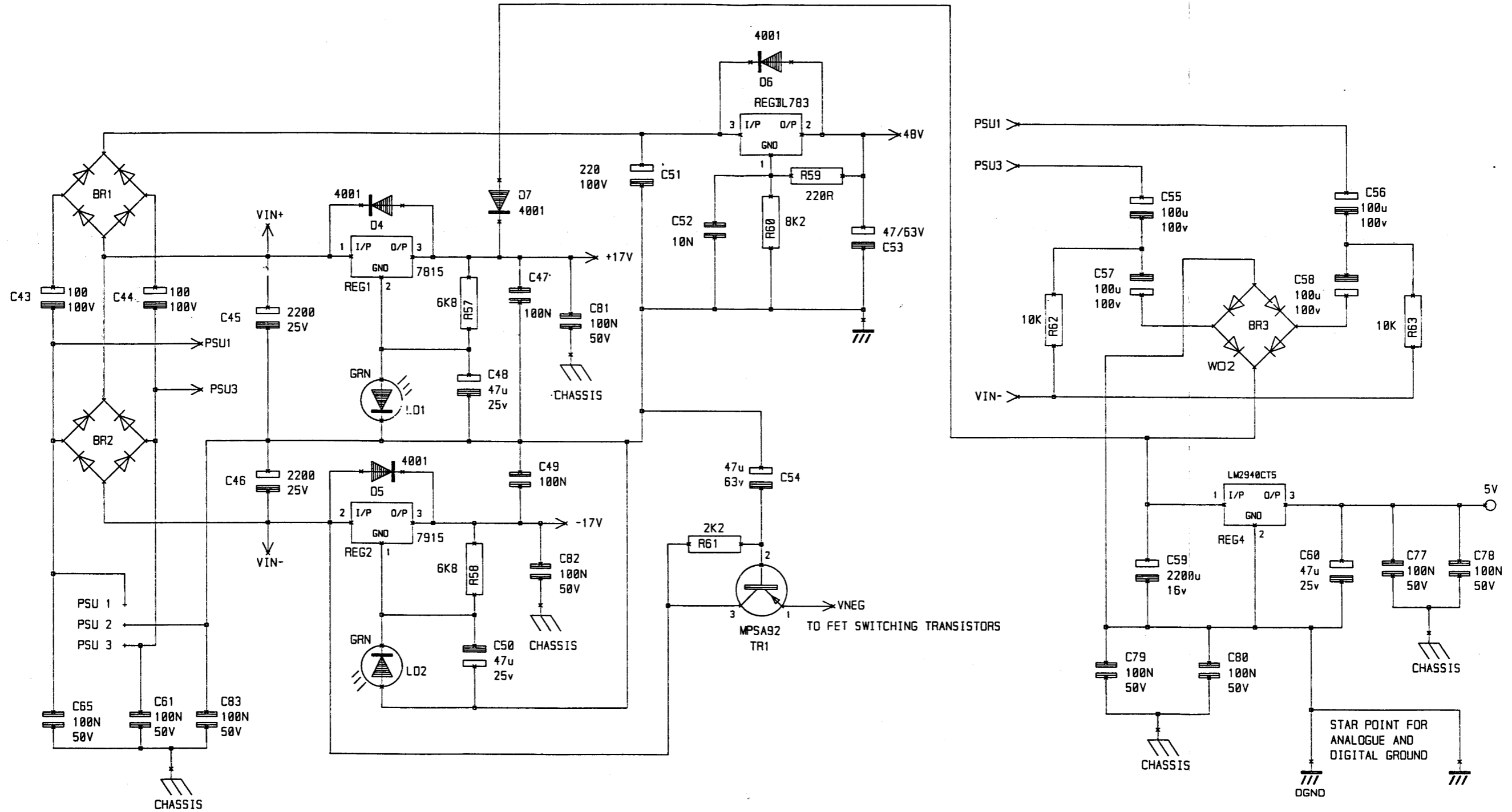
NOTES

SOUNDCRAFT
HARMAN INT. INDUSTRIES LTD.
CRANBORNE HOUSE,
CRANBORNE ROAD,
POTTERS BAR,
HERTS., EN6 3JN.
TEL: 01707 665000
FAX: 01707 660482

DRN. GHB

TITLE
**SPIRIT SX16
MONITORING LEXICON PCB**

DRG NO. ED3899B



SOUNDCRAFT OWNS THE COPYRIGHT OF THIS DRAWING WHICH IS NOT TO BE COPIED, REPRODUCED OR DISCLOSED, IN PART OR IN WHOLE TO A THIRD PARTY WITHOUT WRITTEN PERMISSION.

NOTES

SOUNDCRAFT
HARMAN INT. INDUSTRIES LTD.
CRANBORNE HOUSE,
CRANBORNE ROAD,
POTTERS BAR,
HERTS., EN6 3JN.
TEL: 01707 665000
FAX: 01707 660482

DRN.

TITLE SPIRIT FX16
PSU BOARD

DRG NO. ED3899C