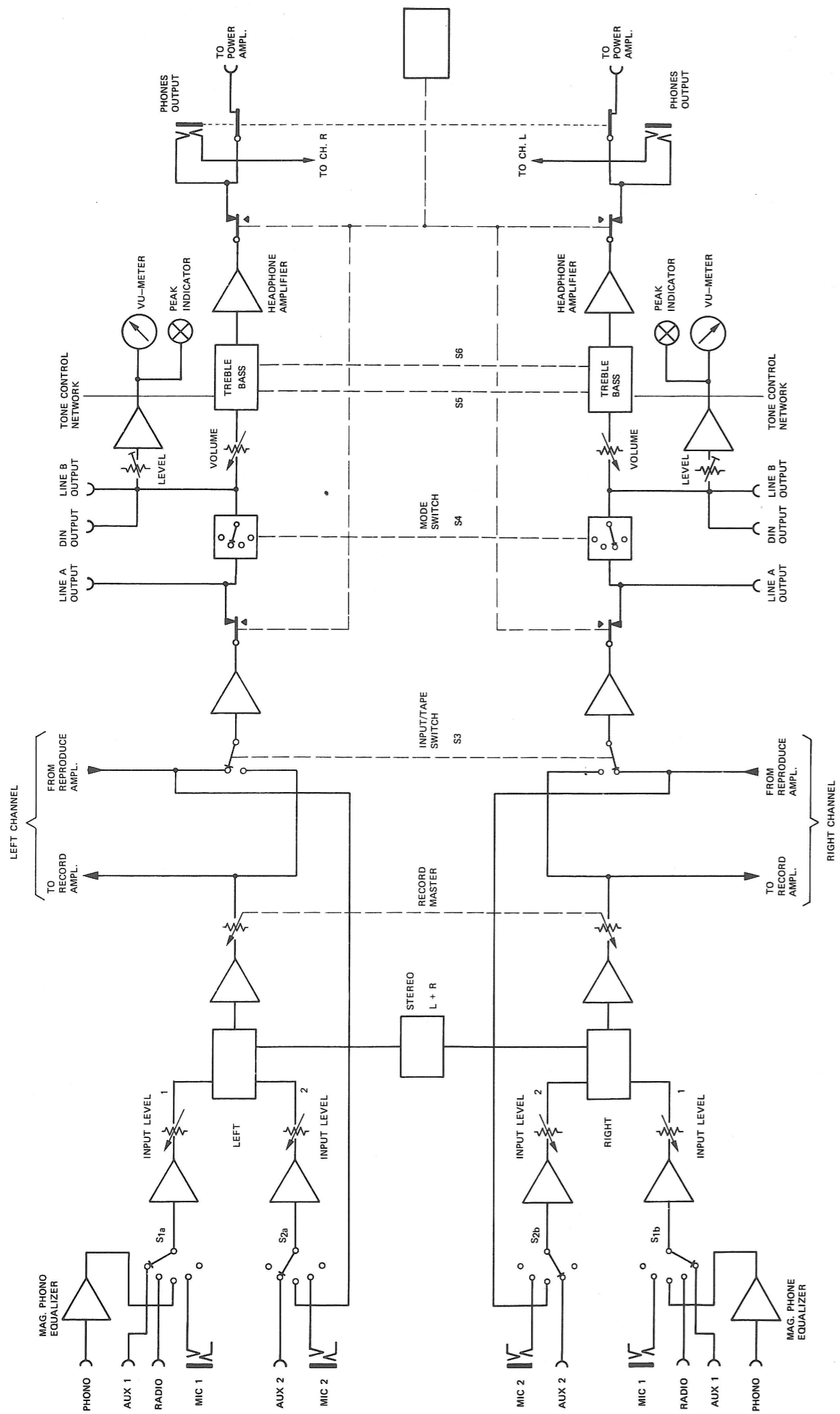


STUDER **REVOX**

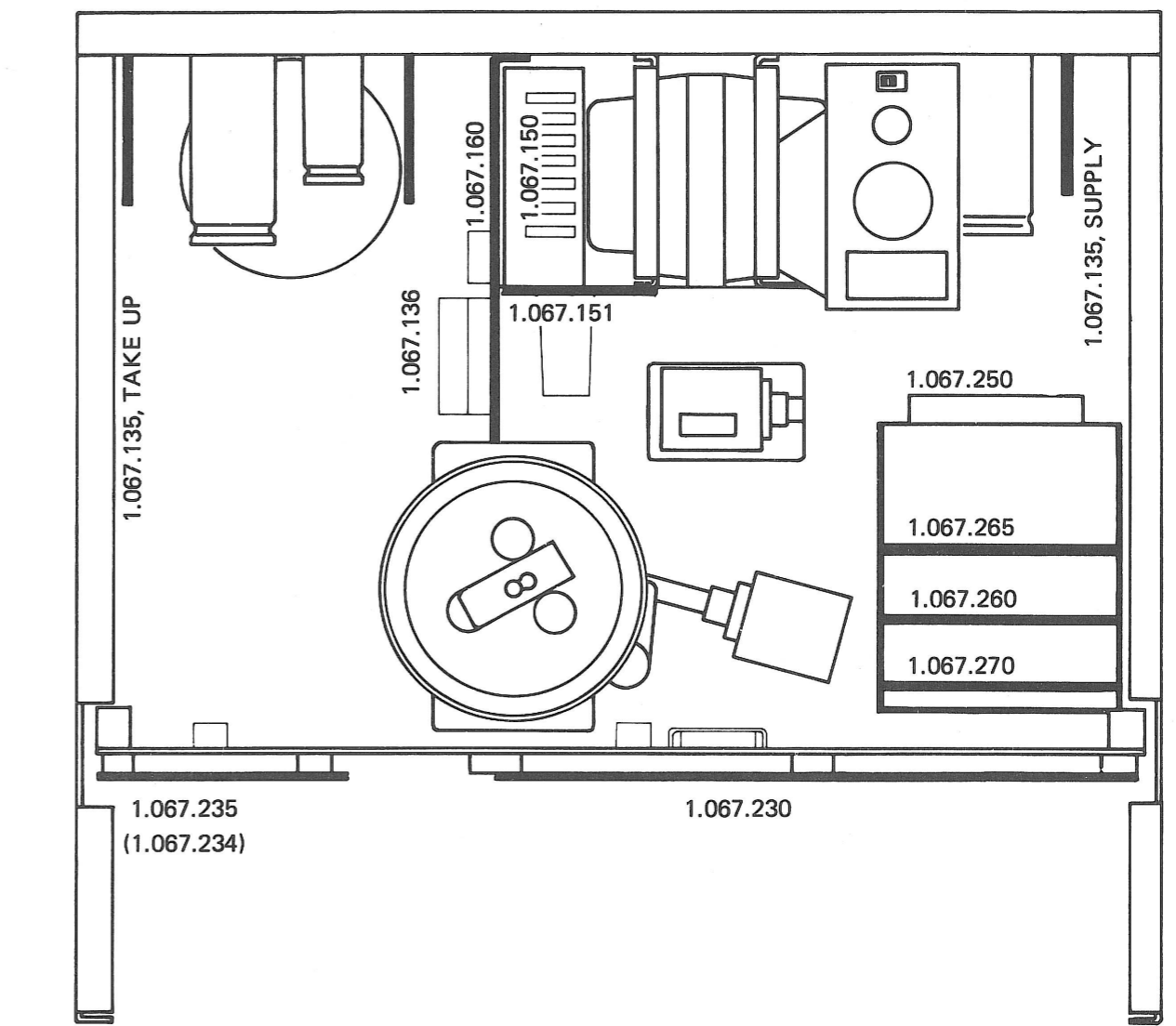
A700

SET OF SCHEMATICS
SCHALTUNGSSAMMLUNG
RECUEIL DE SCHEMAS

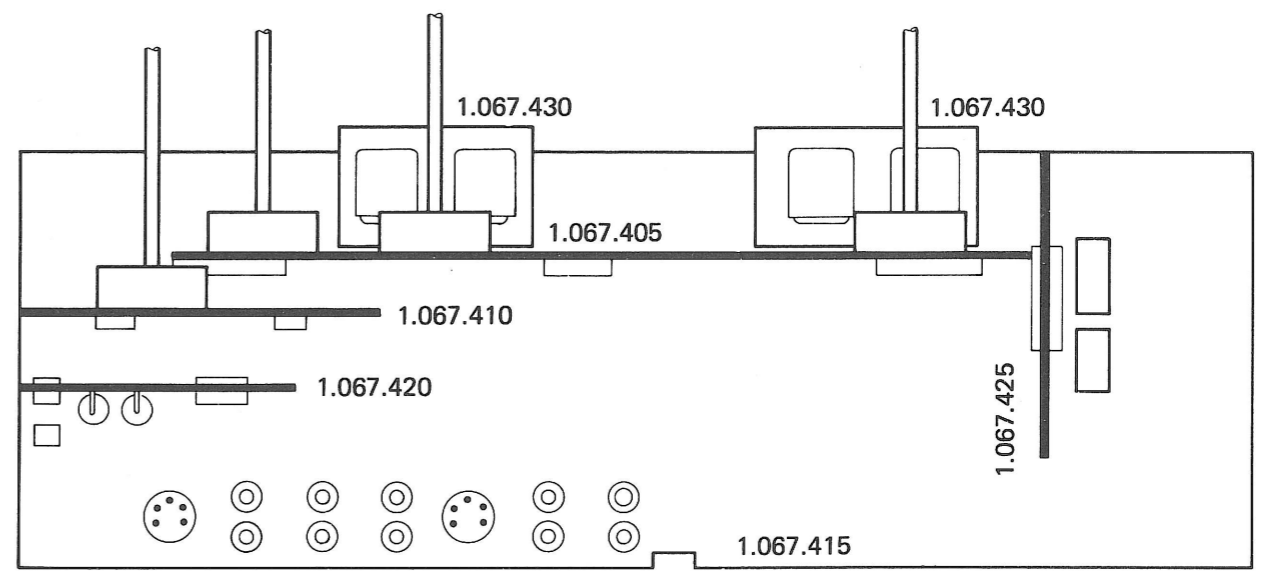
Änderungen vorbehalten
Sous réserve de modification
Subject to change



MIXING UNIT

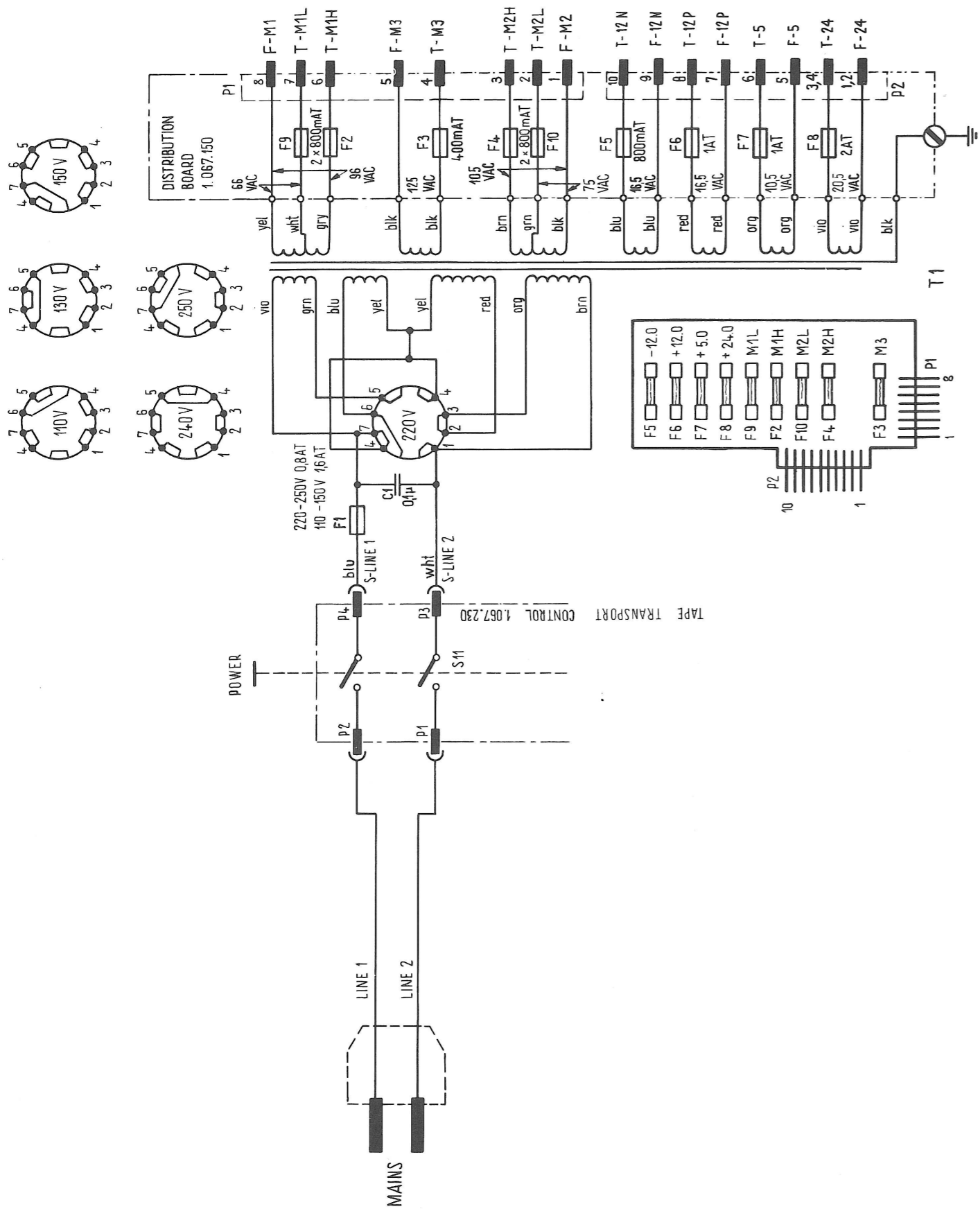


Tape transport control and Record-Reproduce PC cards

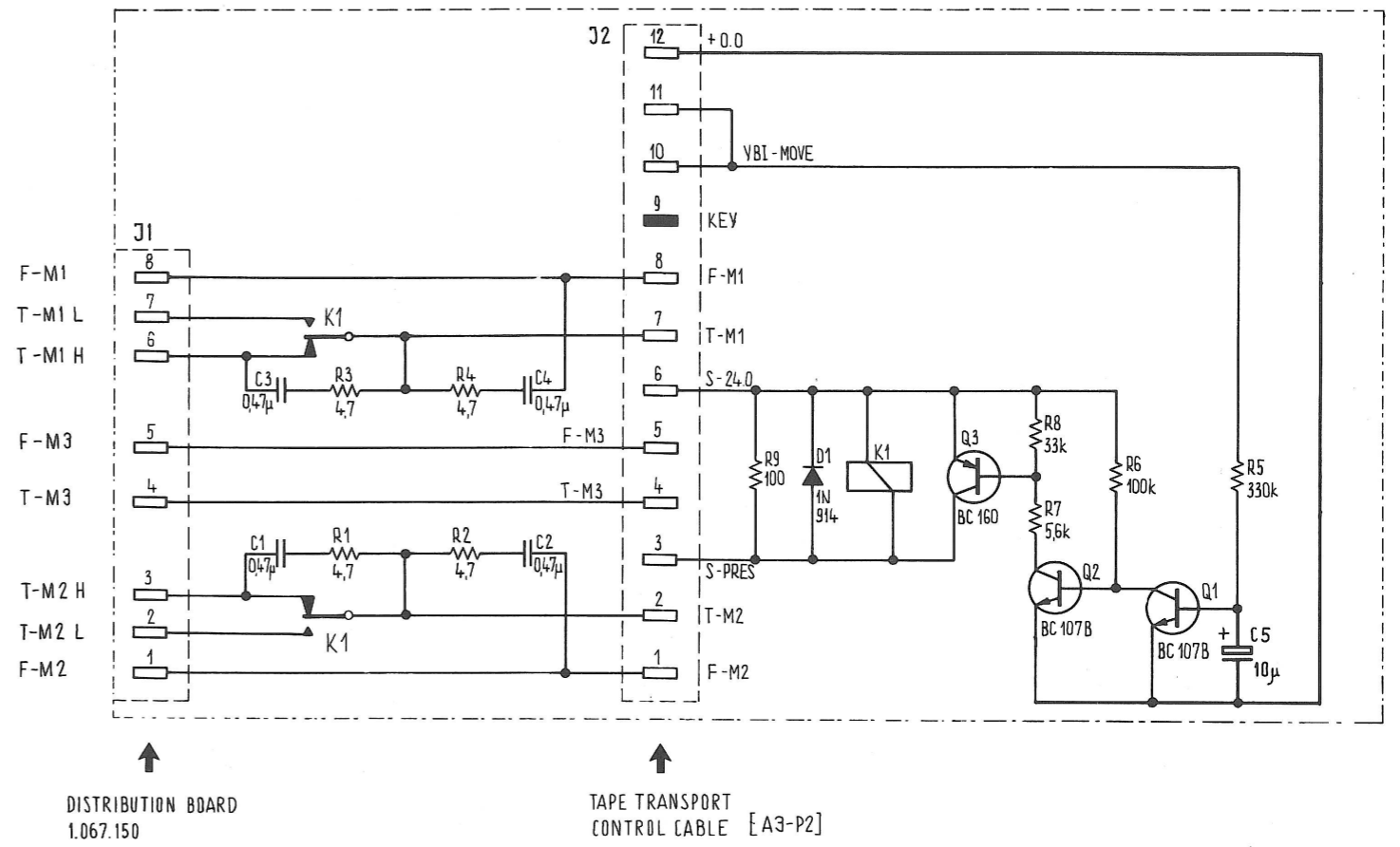


Audio PC cards

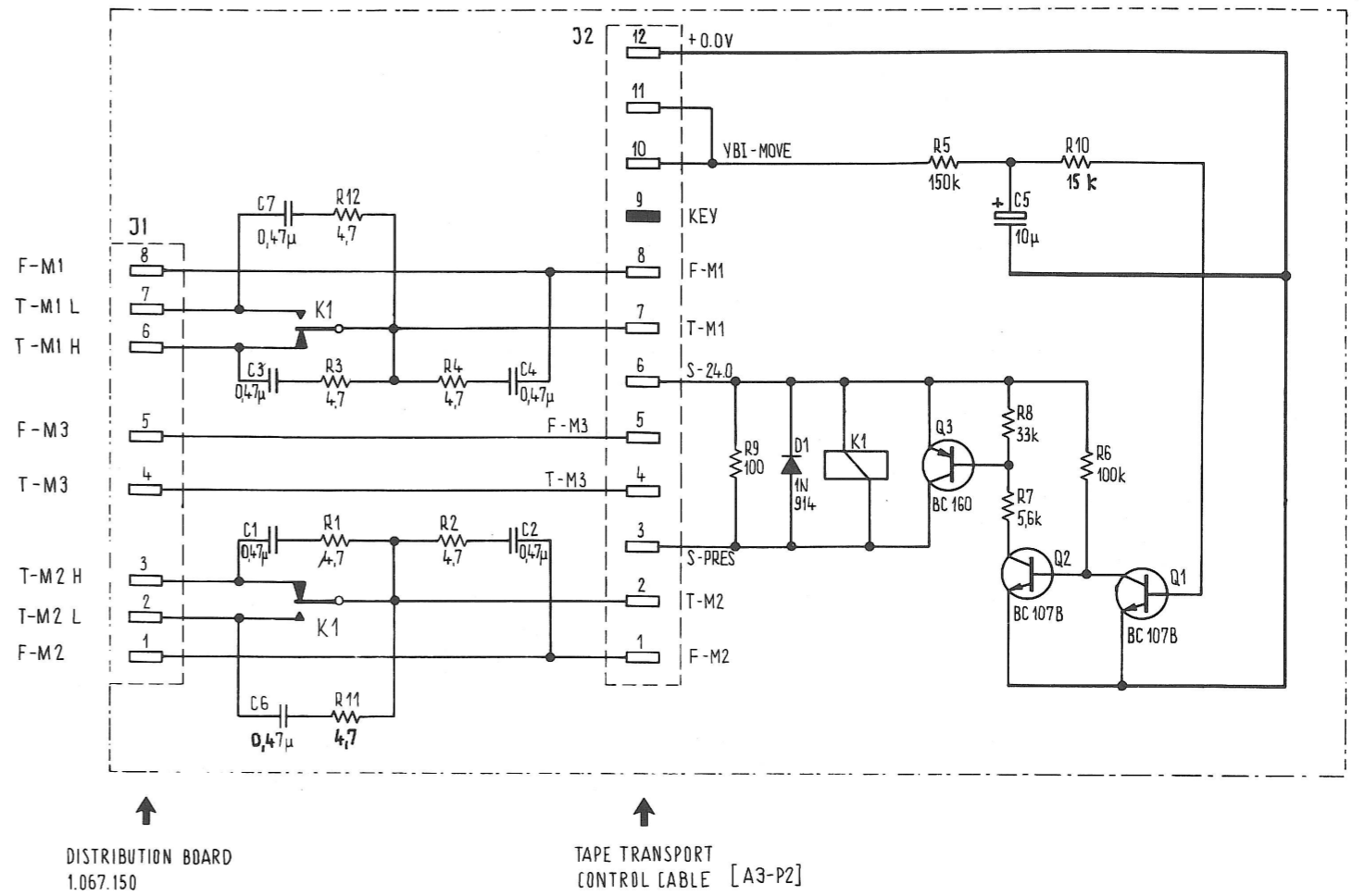
BOARDS LOCATION



MAINS TRANSFORMER 1.067.131



RELAY BOARD 1.067.151

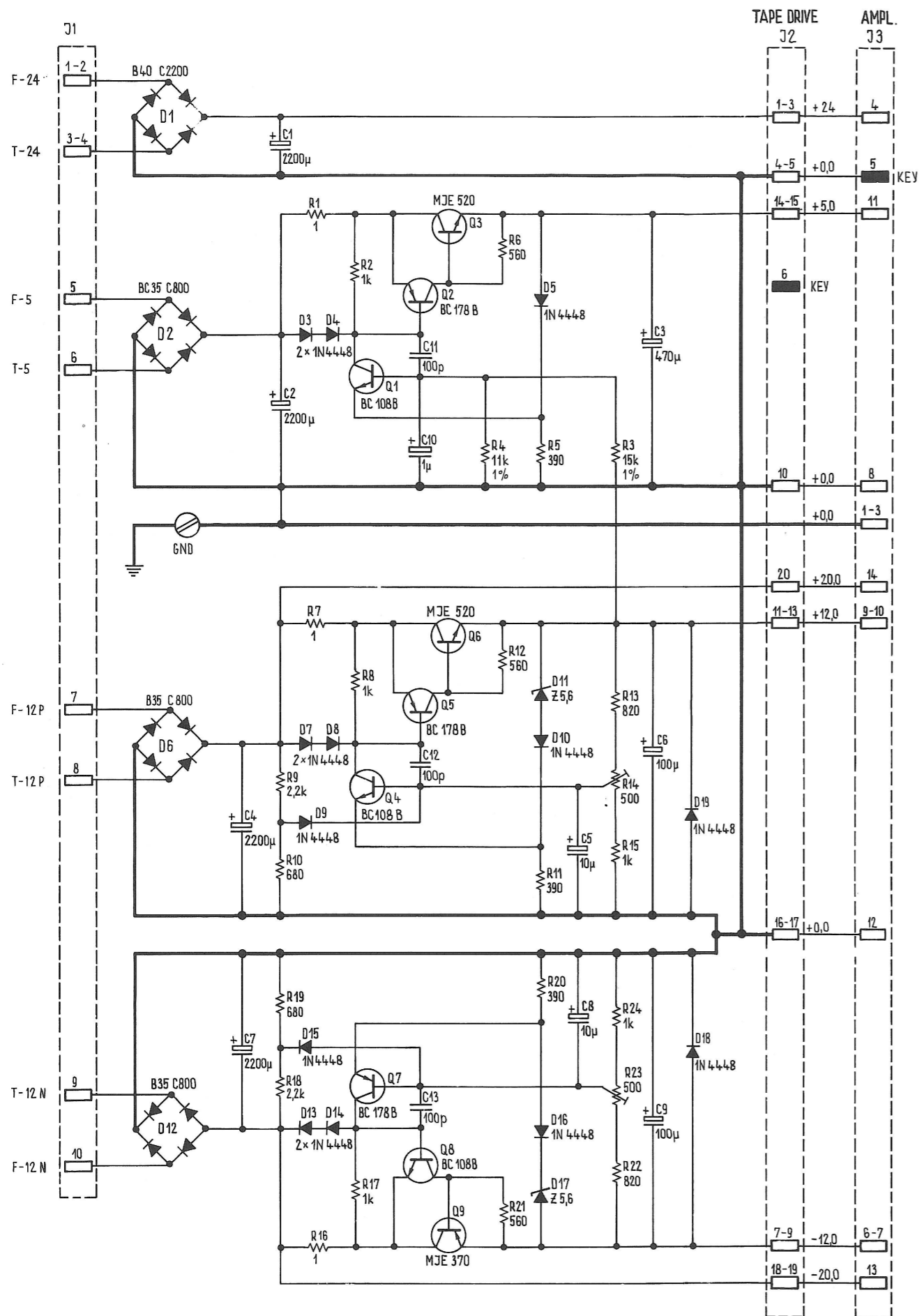


DISTRIBUTION BOARD 1.067.150

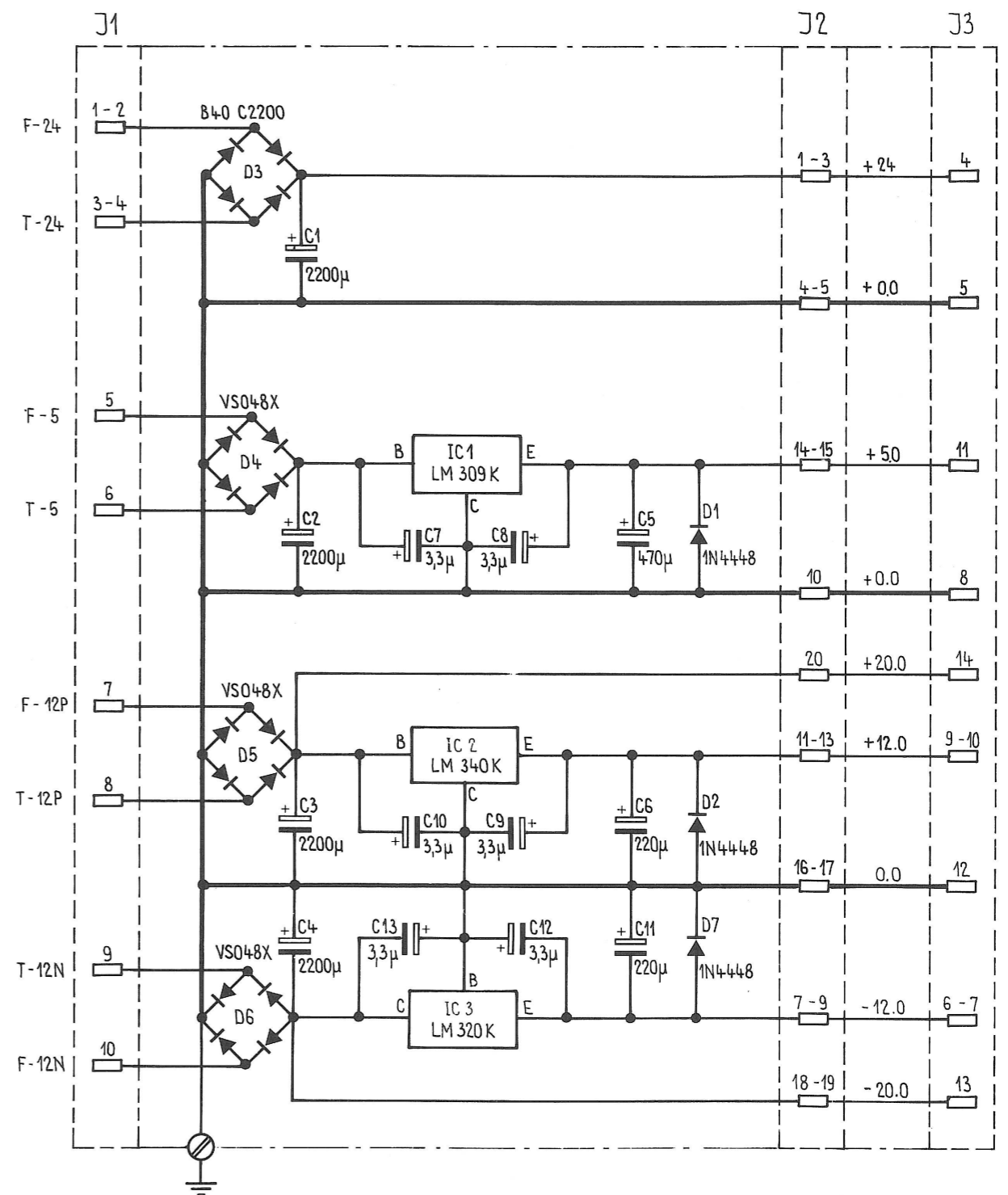
TAPE TRANSPORT CONTROL CABLE [A3-P2]

DISTRIBUTION BOARD 1.067.150

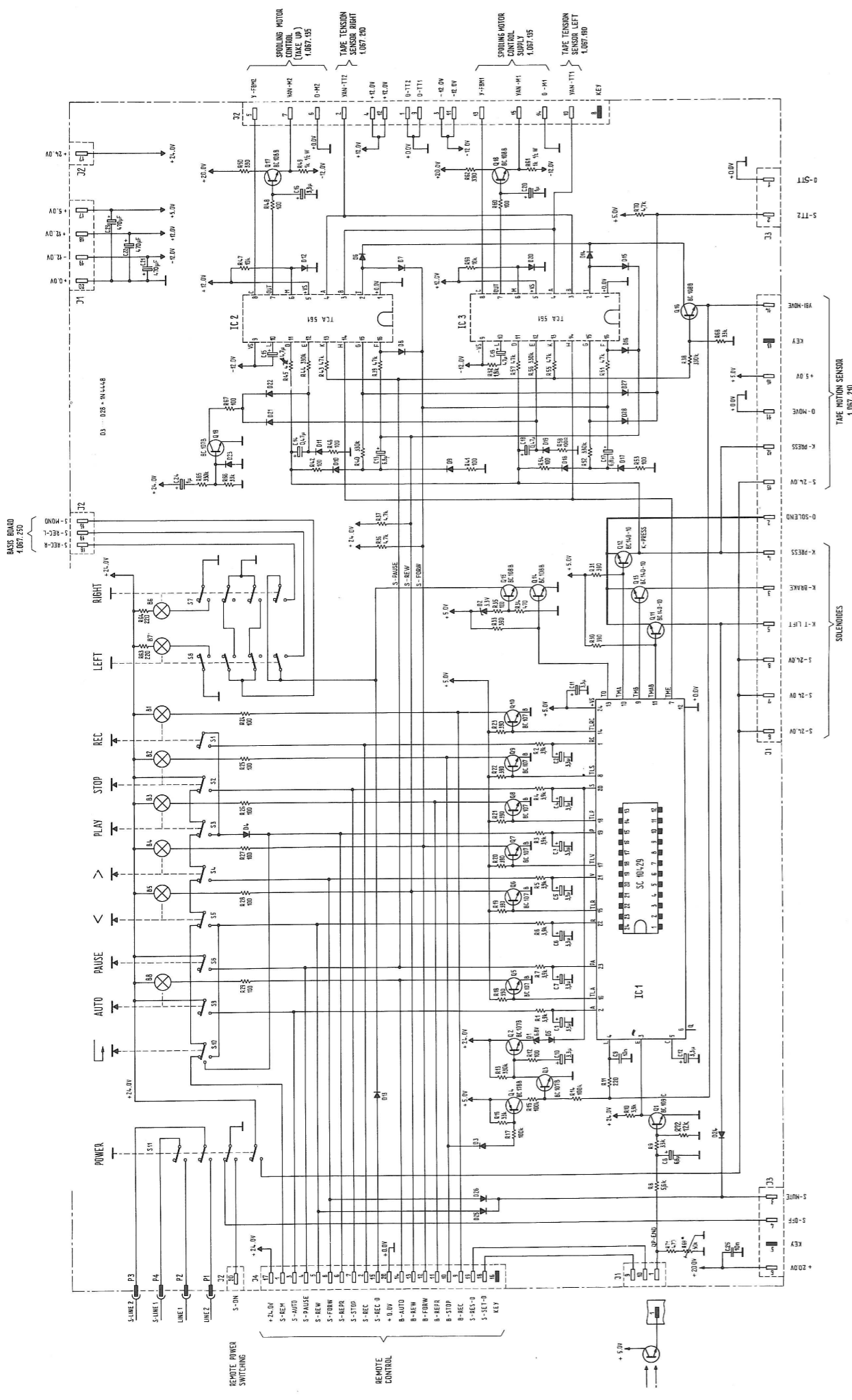
TAPE TRANSPORT CONTROL CABLE [A3-P2]



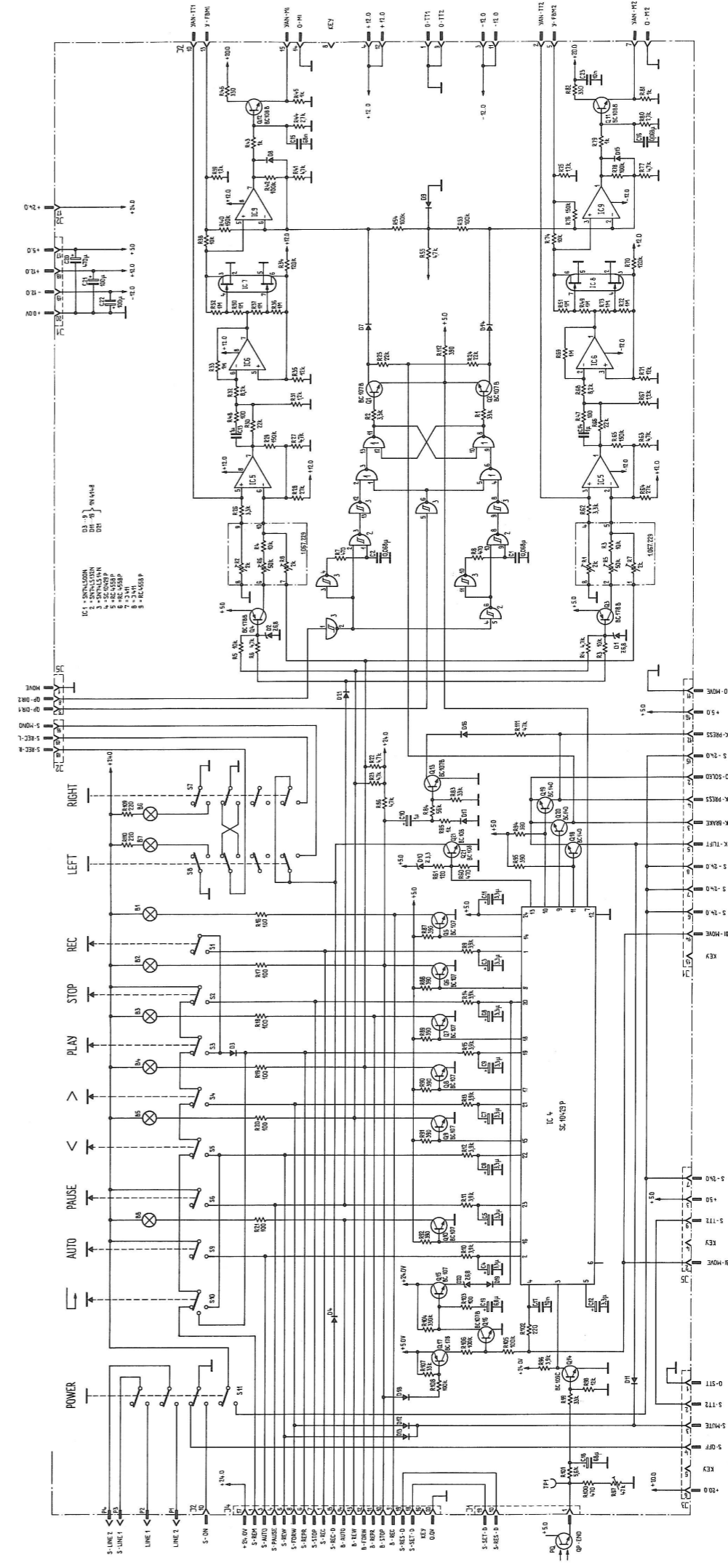
POWER SUPPLY 1.067.160



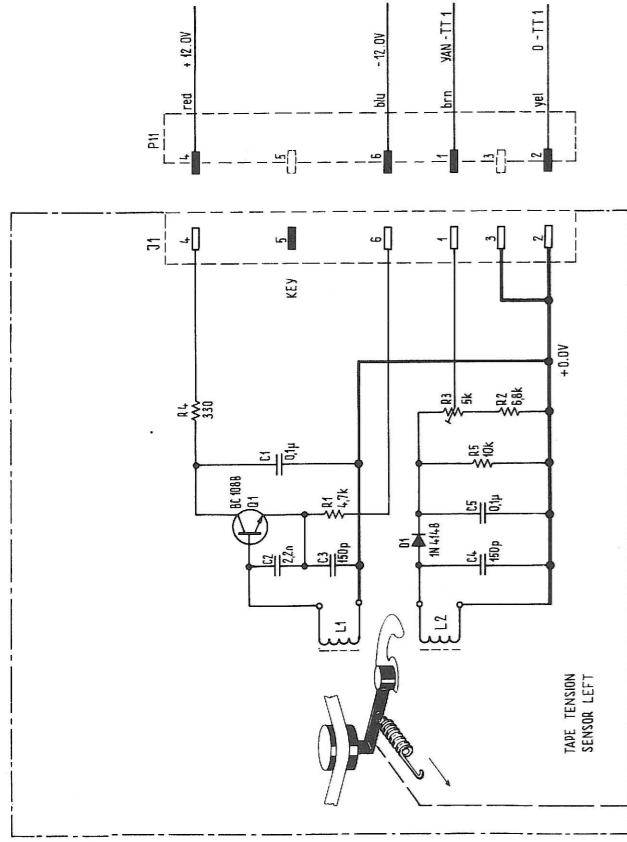
POWER SUPPLY 1.067.161



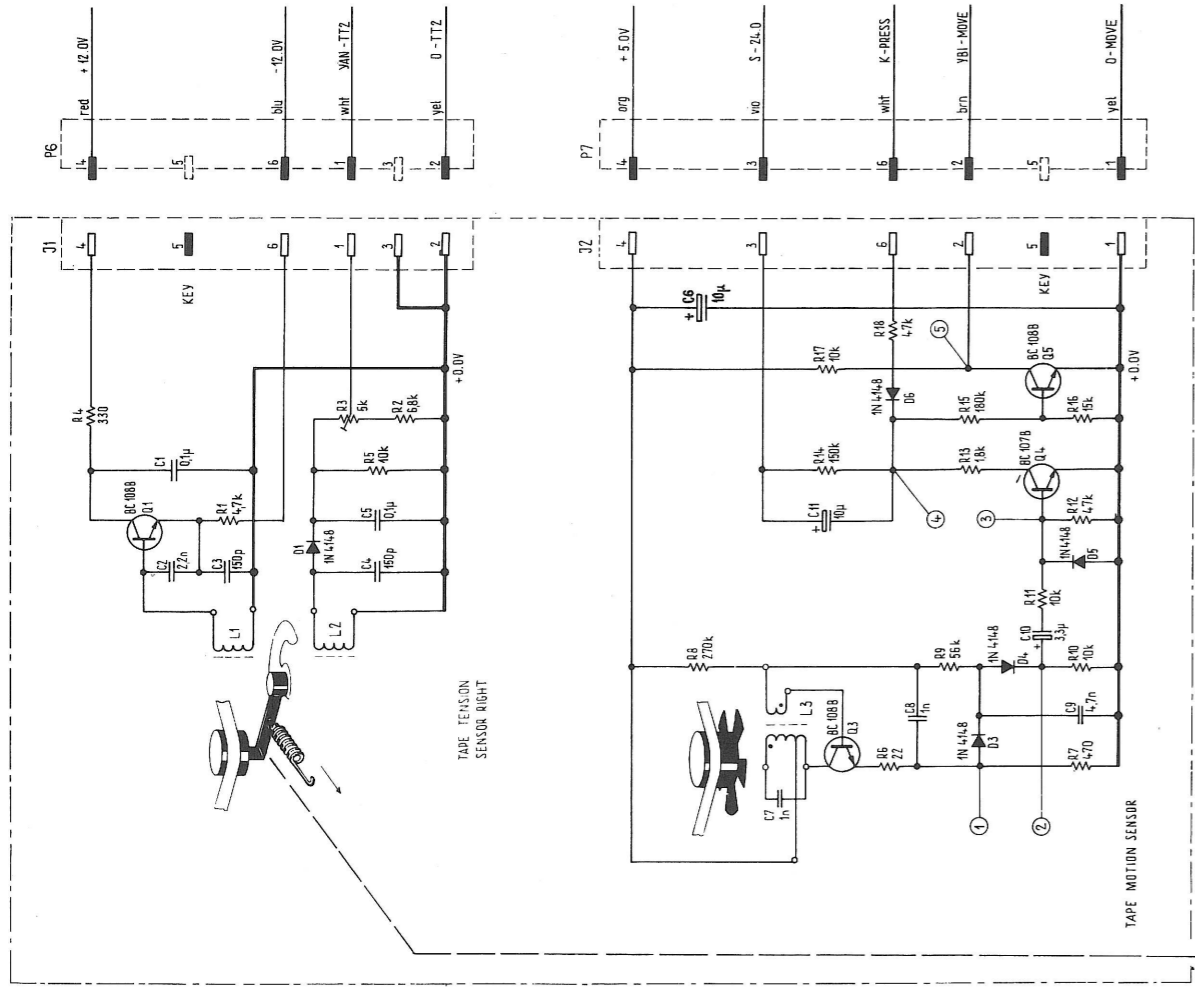
TAPE TRANSPORT CONTROL 1.067.230



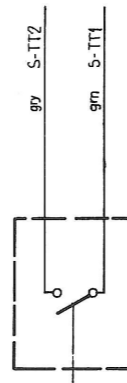
TAPE TRANSPORT CONTROL 1.067.231



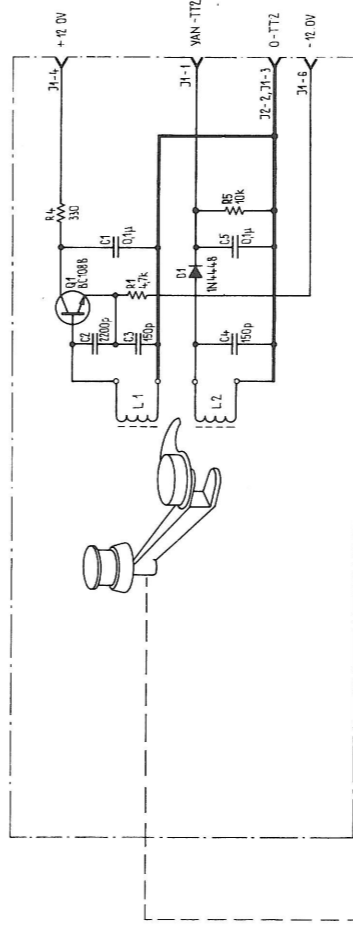
SENSOR BOARD, LEFT 1.067.190



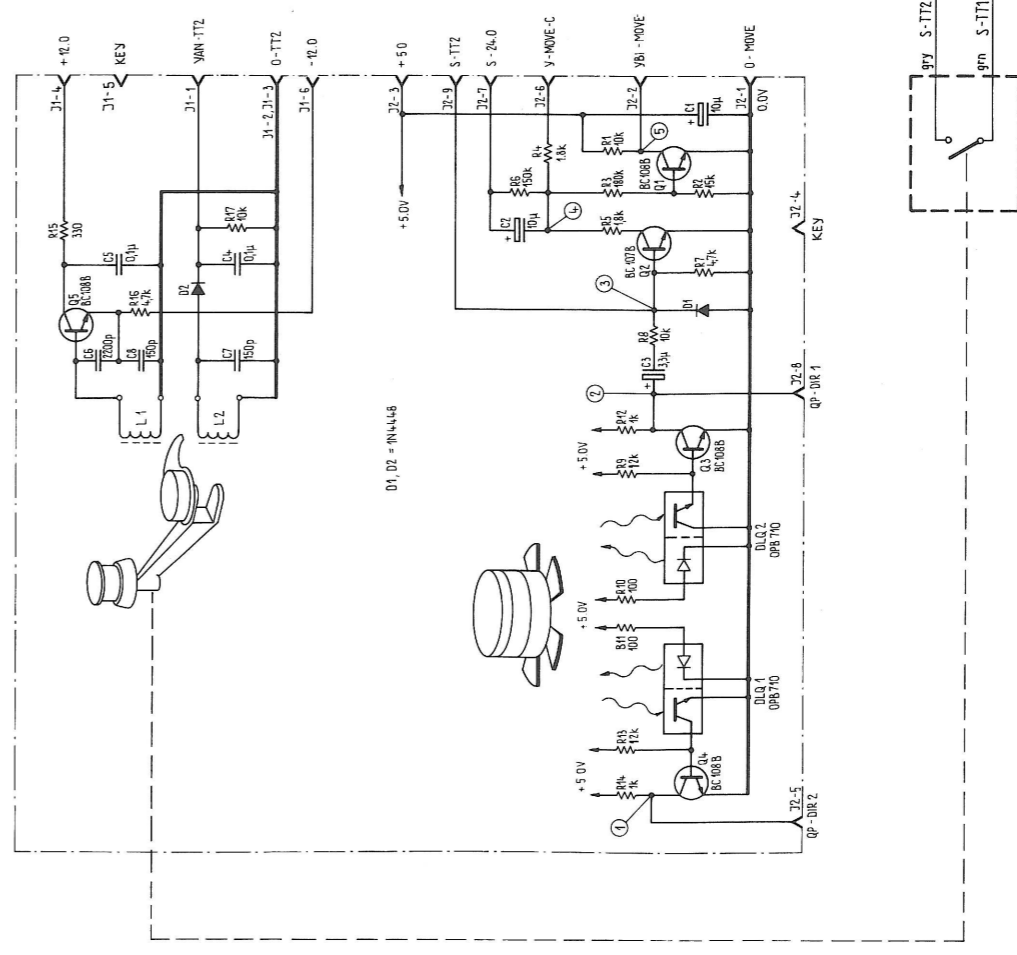
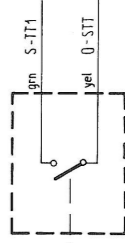
* OPERATES ONLY IN CONJUNCTION WITH : 1.067.231



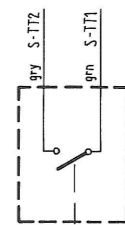
SENSOR BOARD, RIGHT 1.067.210



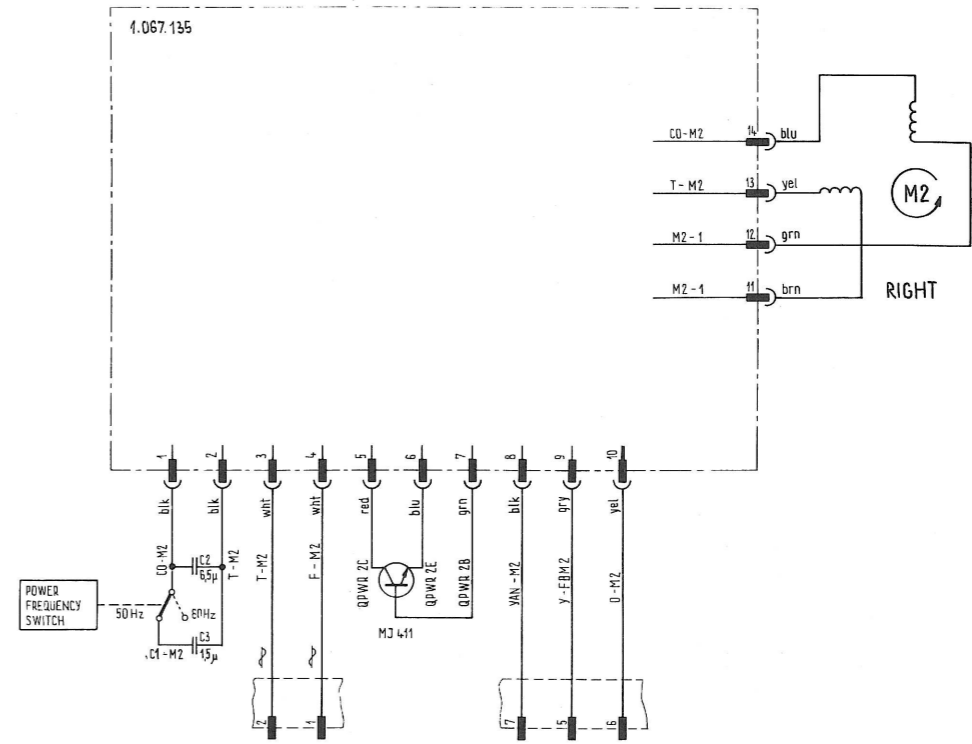
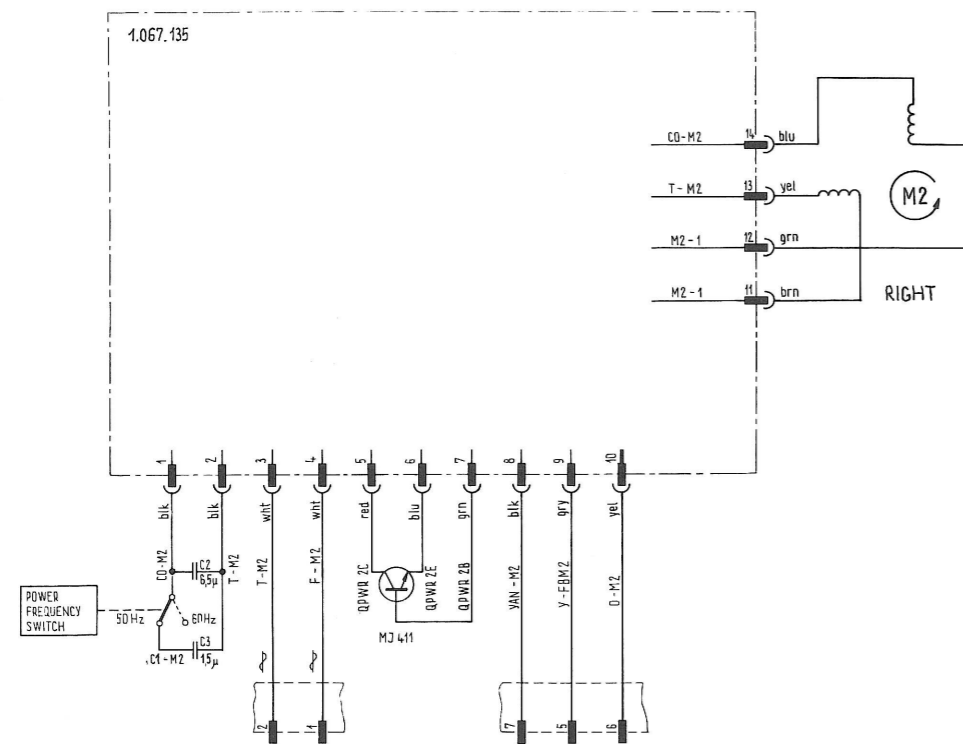
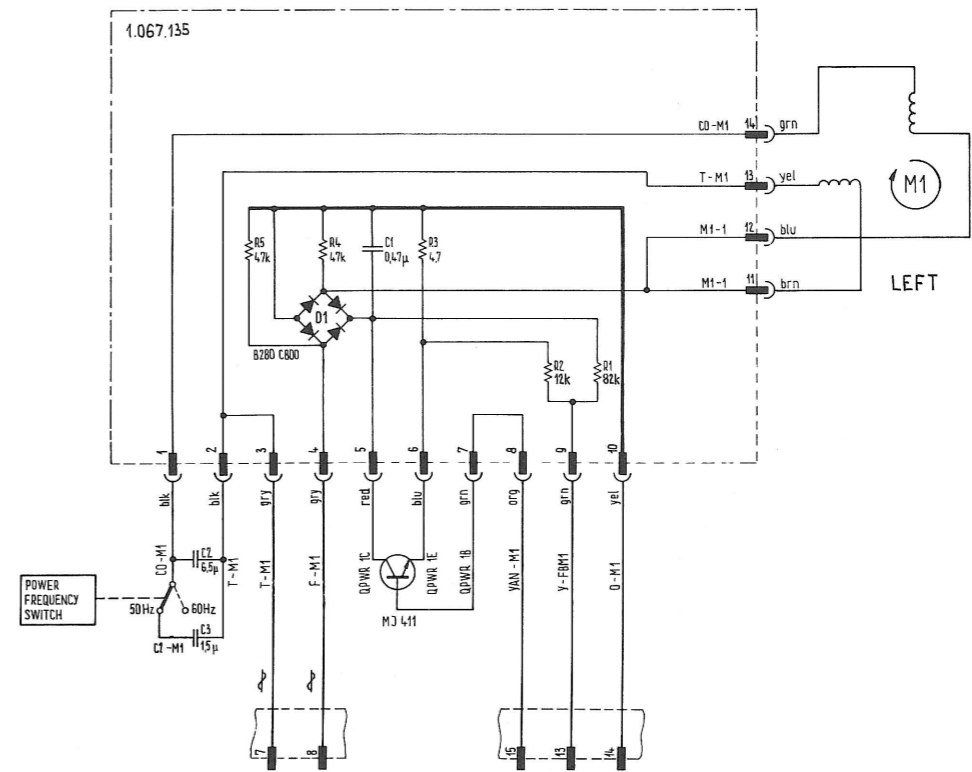
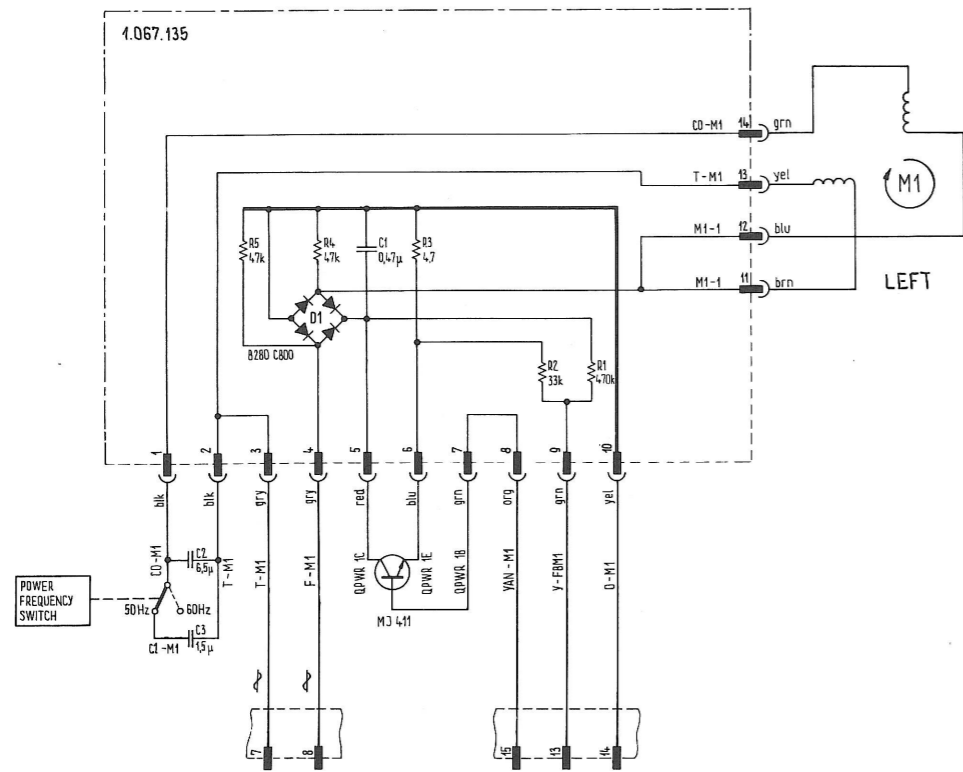
SENSOR BOARD, LEFT 1.167.769



* OPERATES ONLY IN CONJUNCTION WITH : 1.067.230



SENSOR BOARD, RIGHT 1.167.767

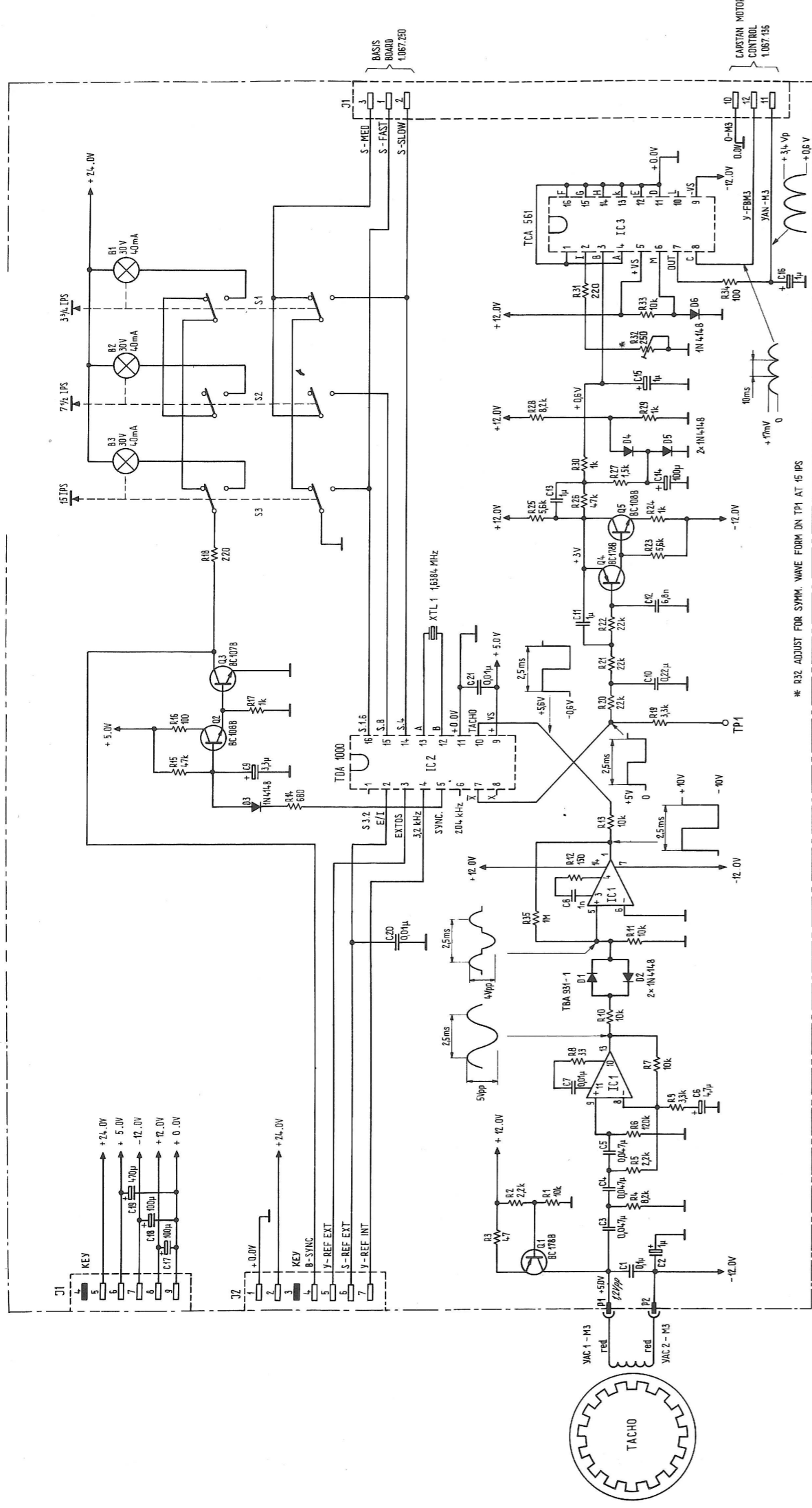


* OPERATES ONLY IN CONJUNCTION WITH :1.067.230

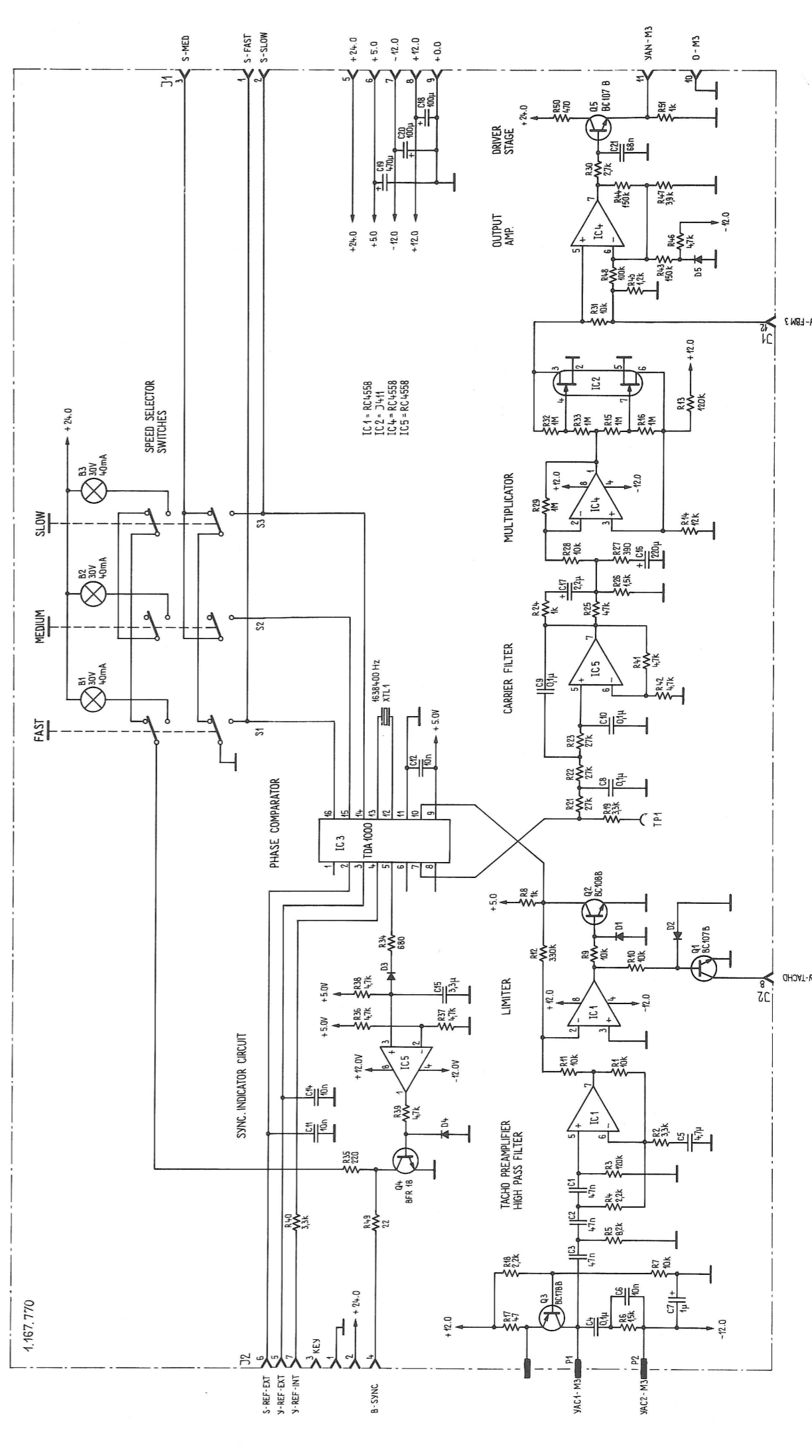
SPOOLING MOTOR CONTROL 1.067.135

* OPERATES ONLY IN CONJUNCTION WITH :1.067.231

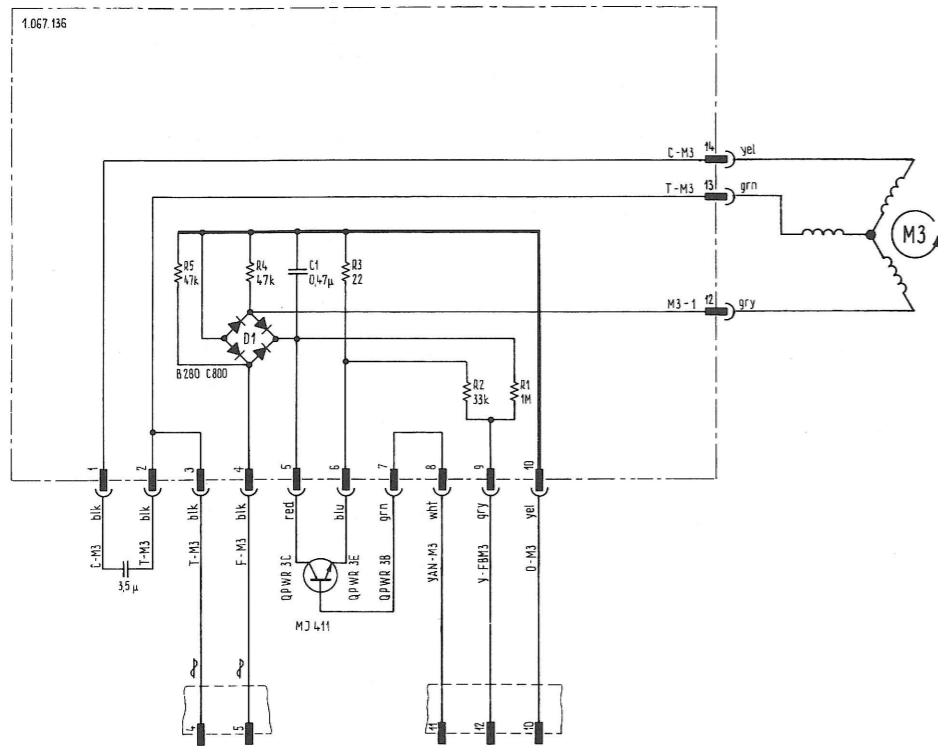
SPOOLING MOTOR CONTROL 1.067.137



CAPSTAN SPEED CONTROL 1.067.235



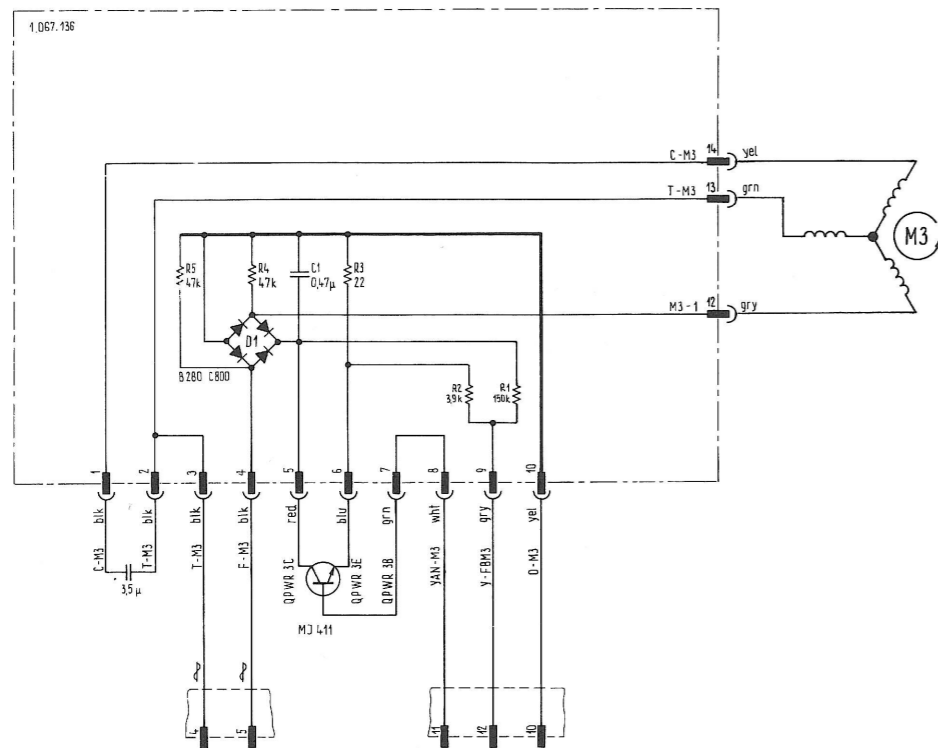
CAPSTAN SPEED CONTROL 1.167.770



** OPERATES ONLY IN CONJUNCTION WITH :1.067.235

CAPSTAN MOTOR CONTROL

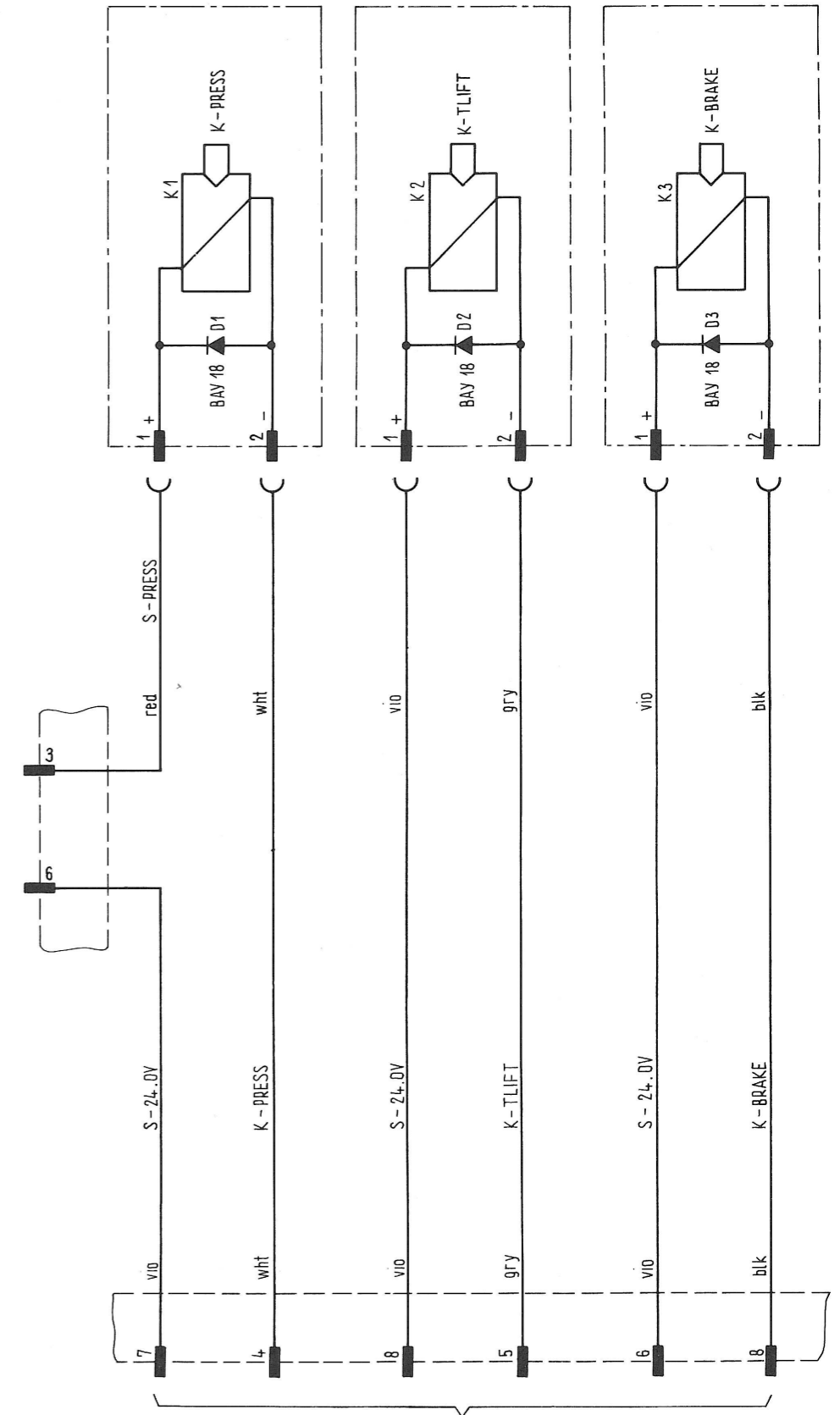
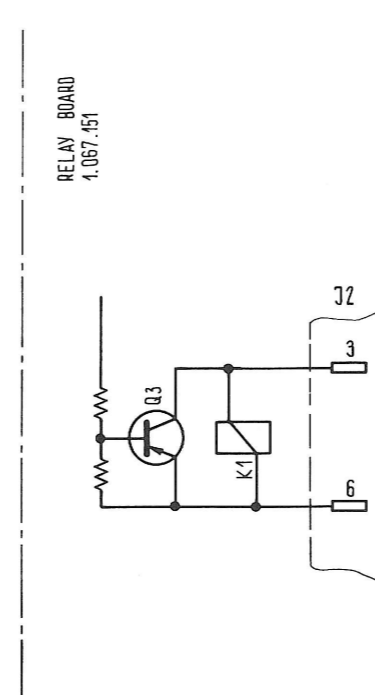
1.067.136



** OPERATES ONLY IN CONJUNCTION WITH :1.167.770

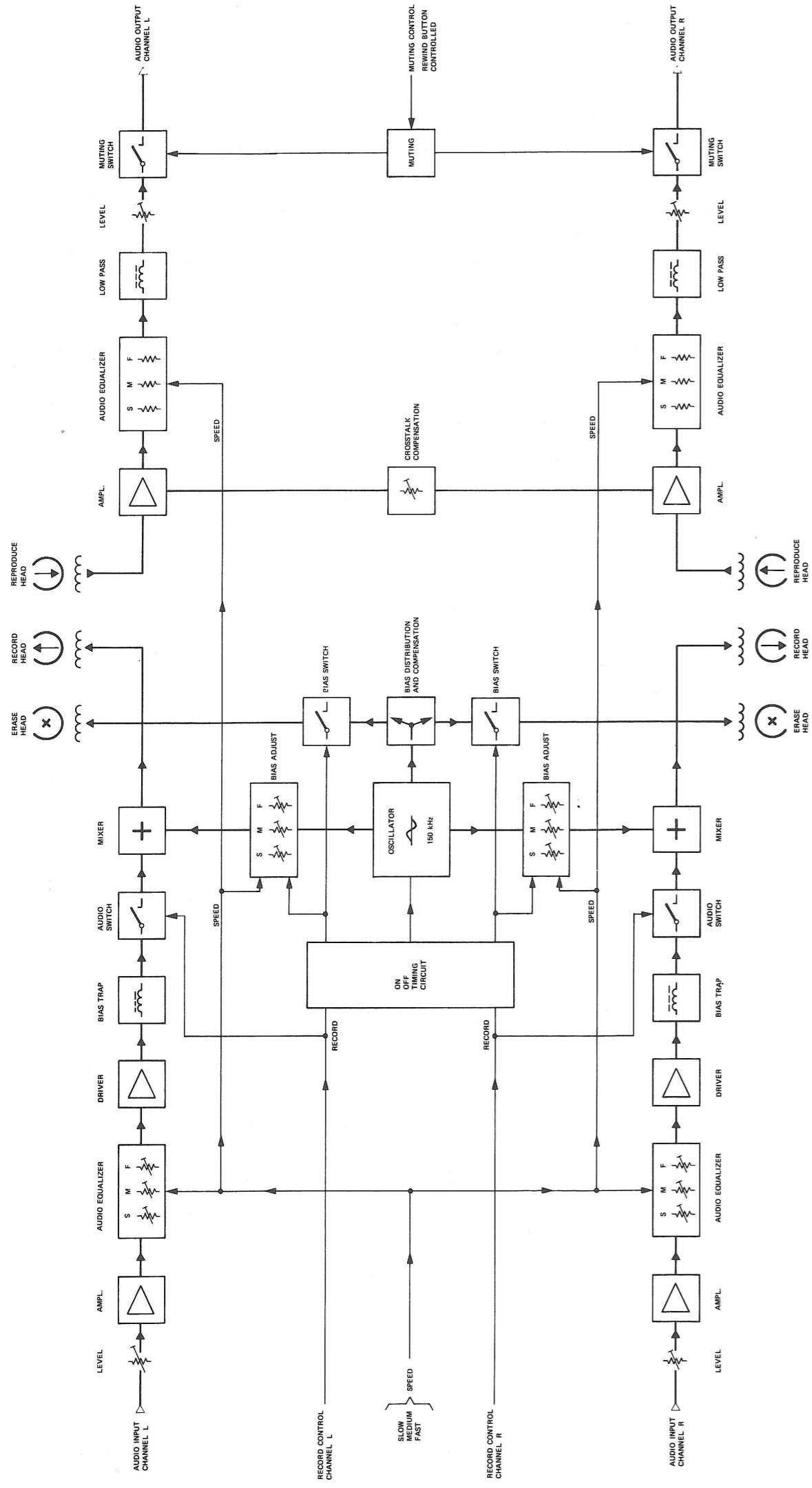
CAPSTAN MOTOR CONTROL

1.167.775

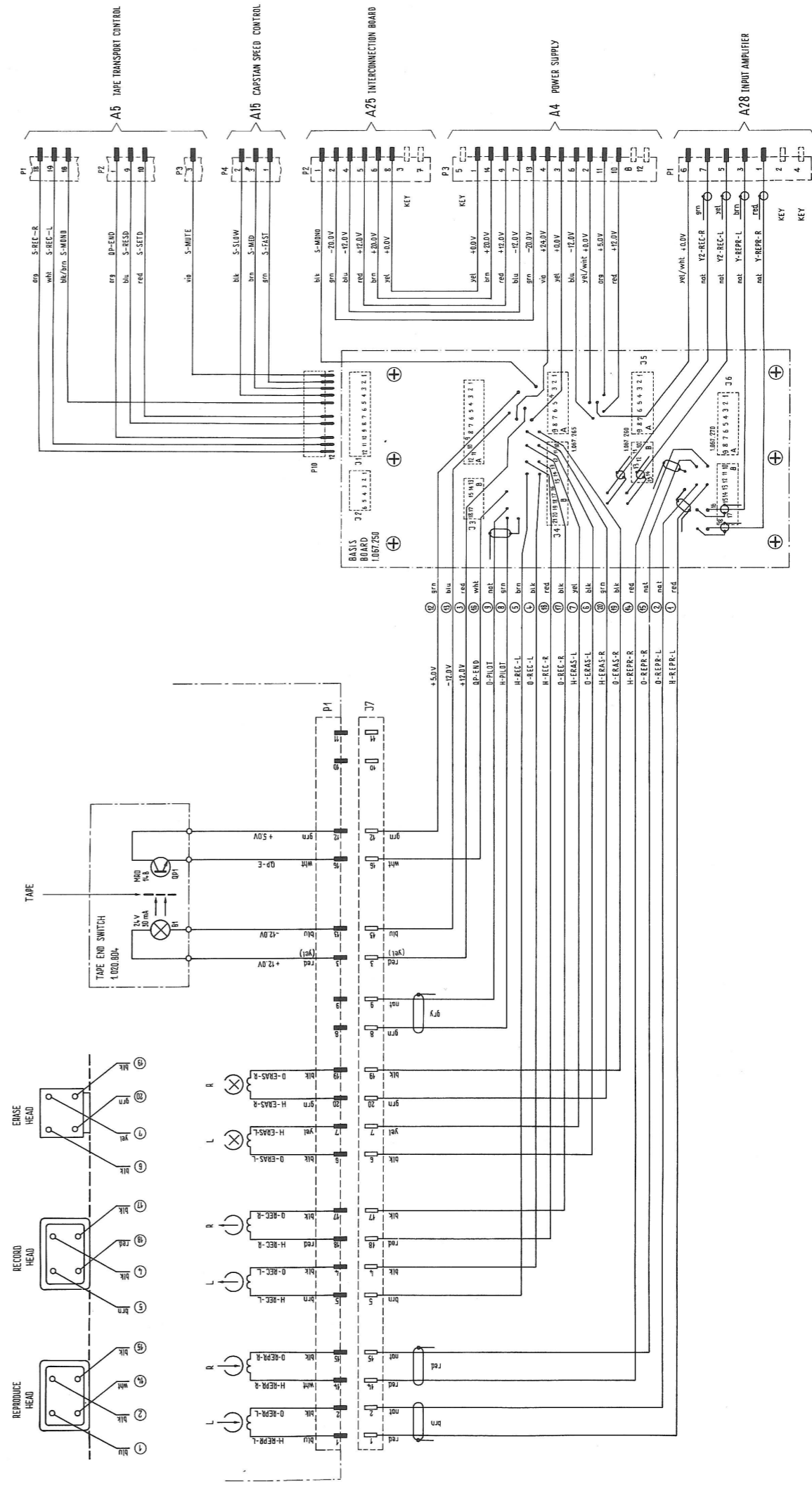


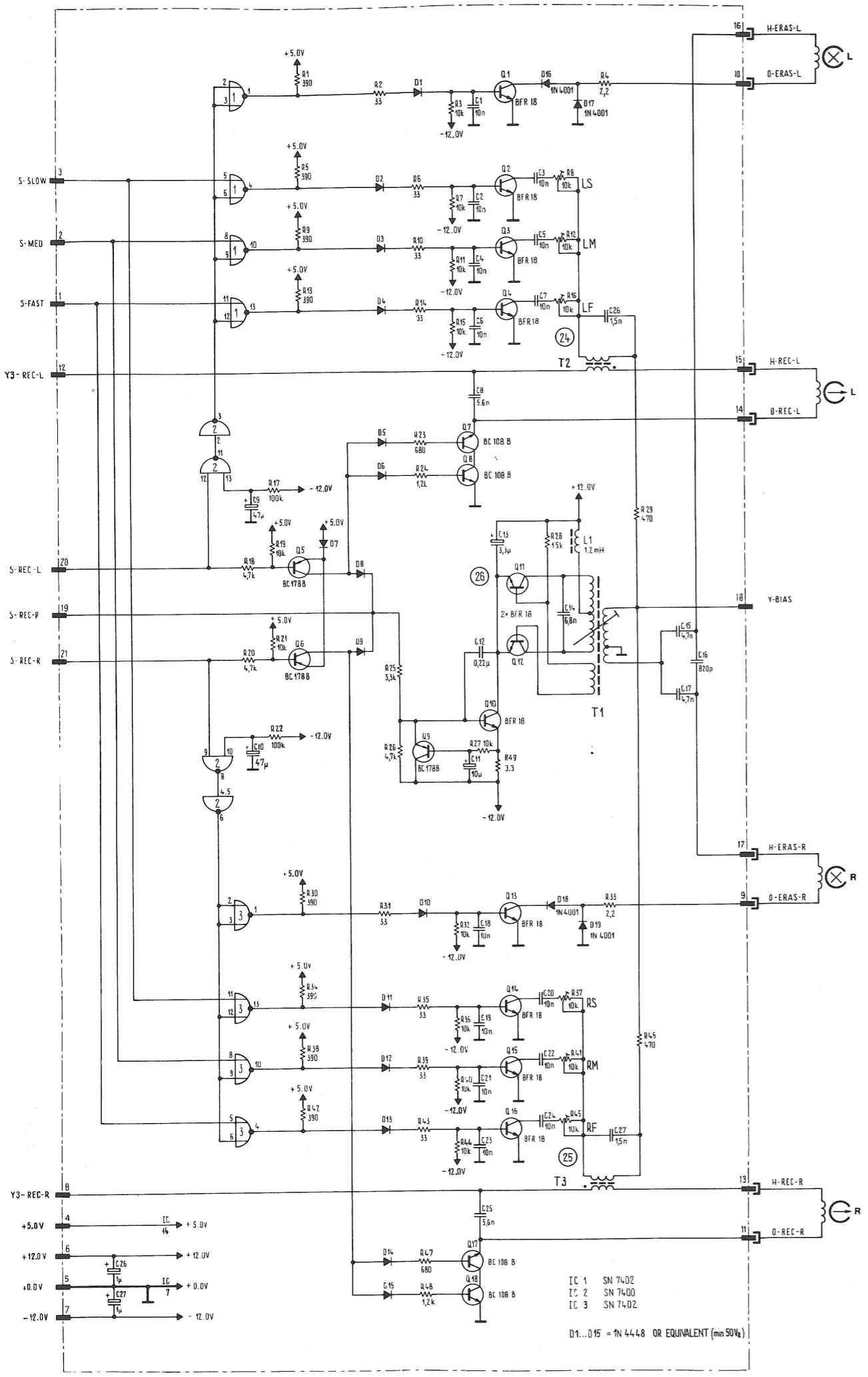
TAPE TRANSPORT CONTROL
1.067.230

SOLENOID SECTION

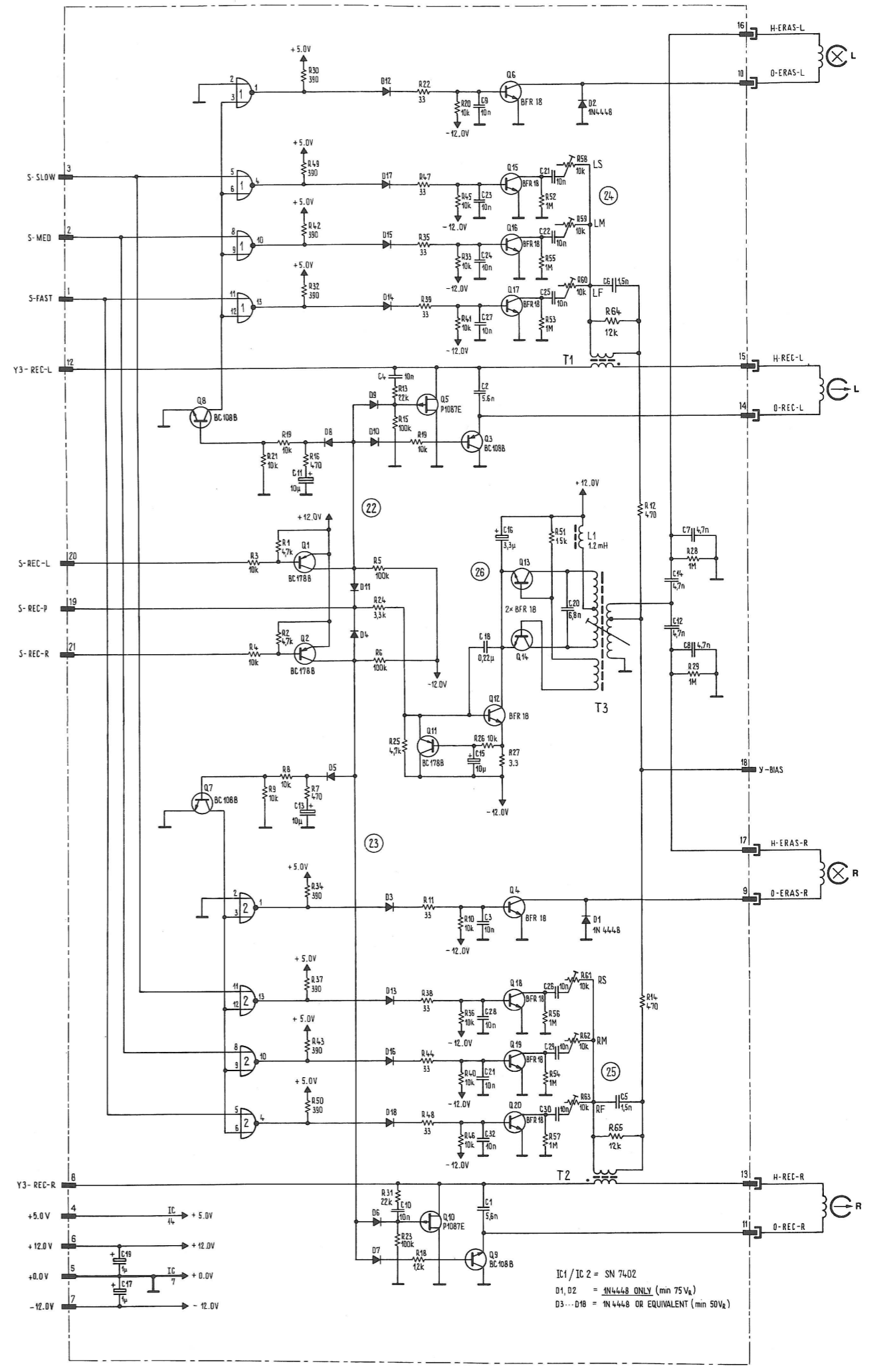


HEAD ELECTRONICS

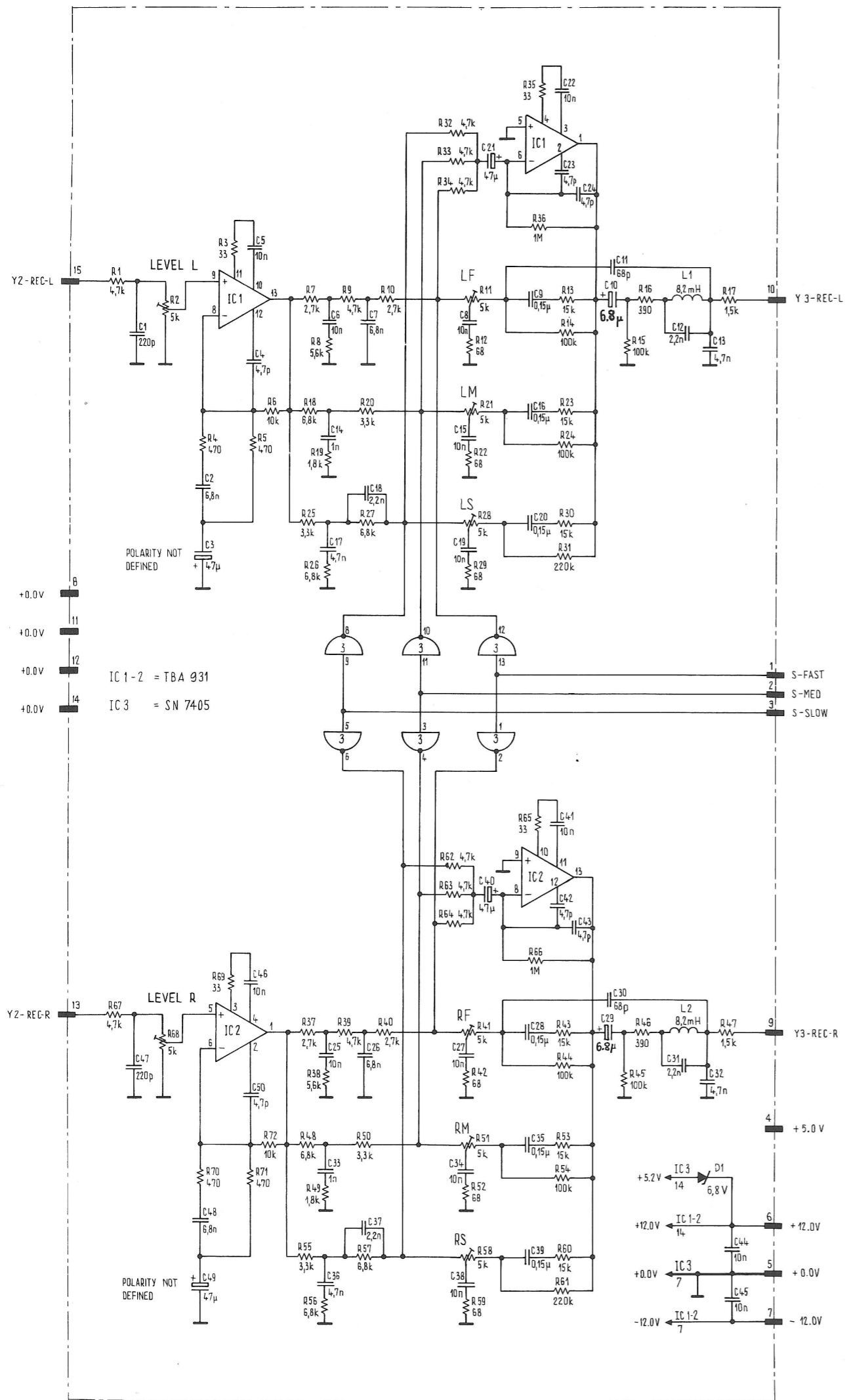




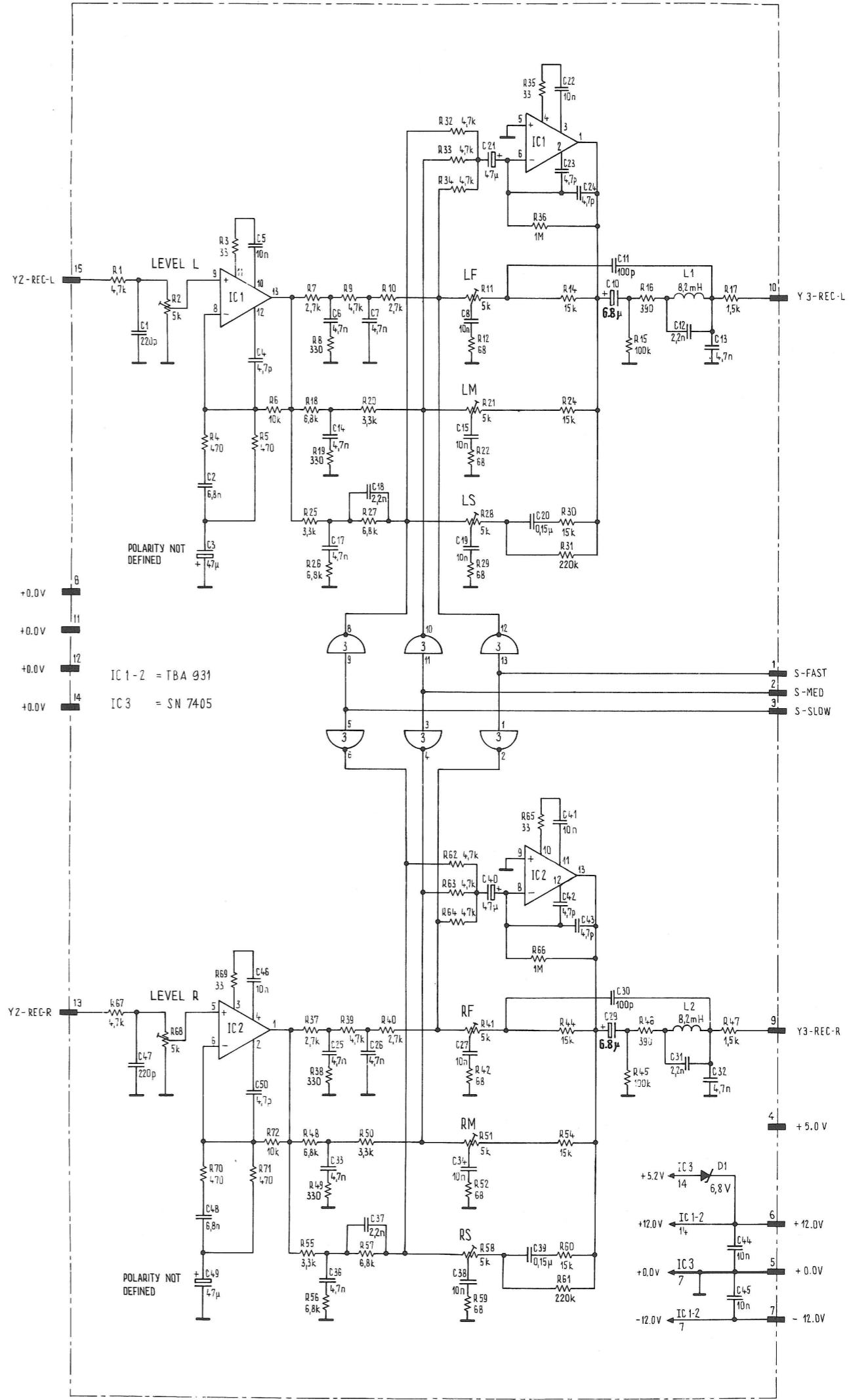
OSCILLATOR 1.067.265



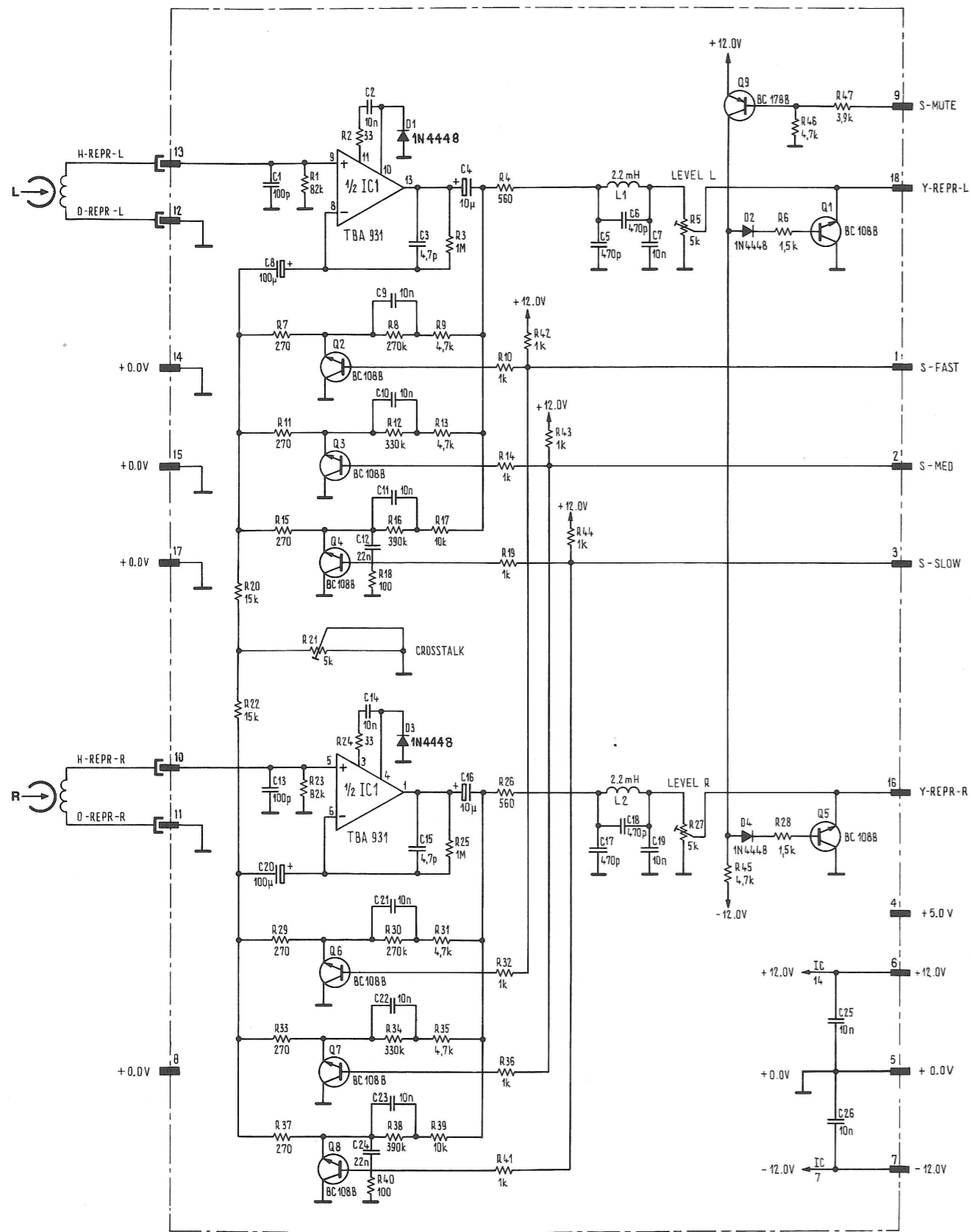
OSCILLATOR 1.067.267



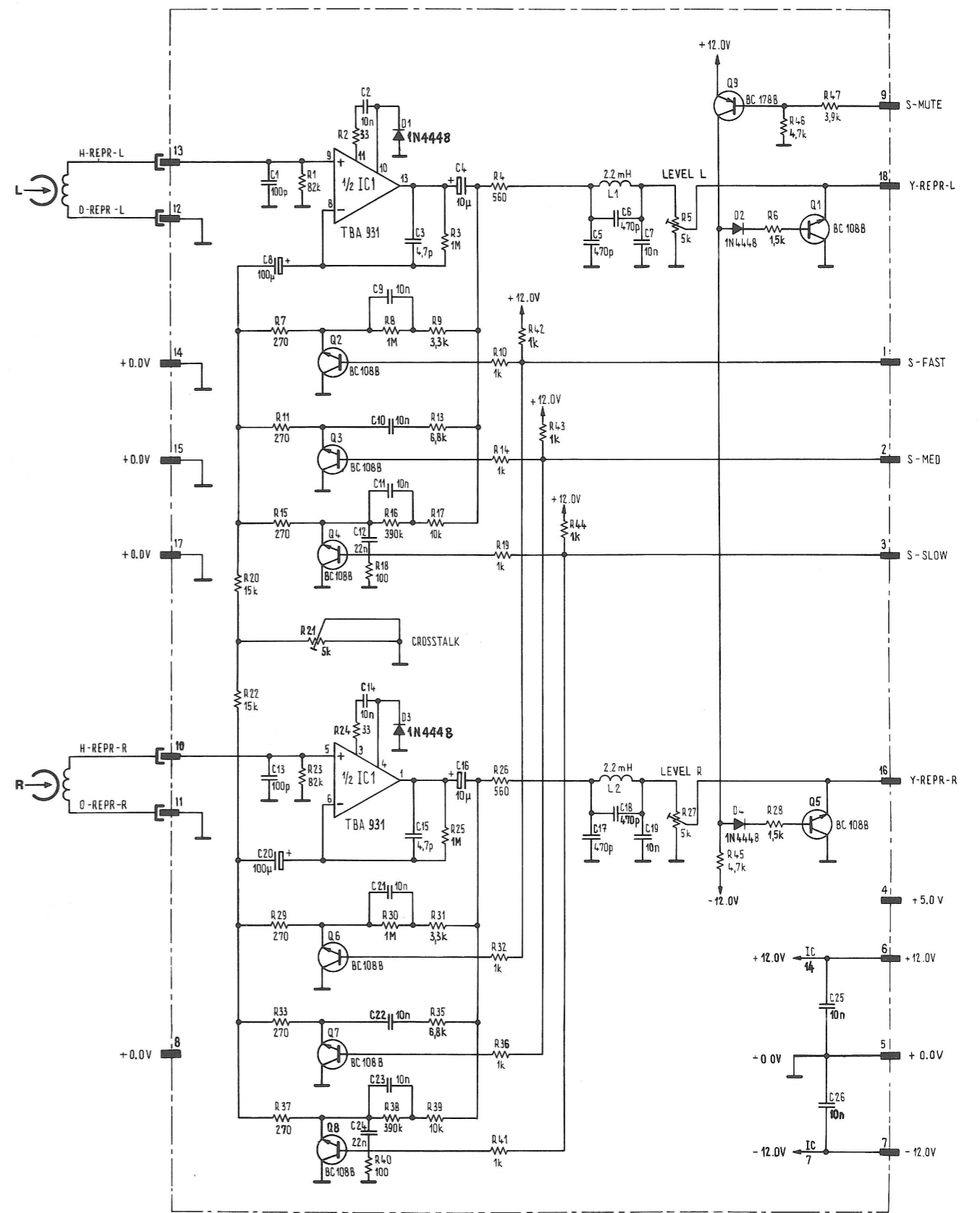
RECORD AMPLIFIER NAB 1.067.260



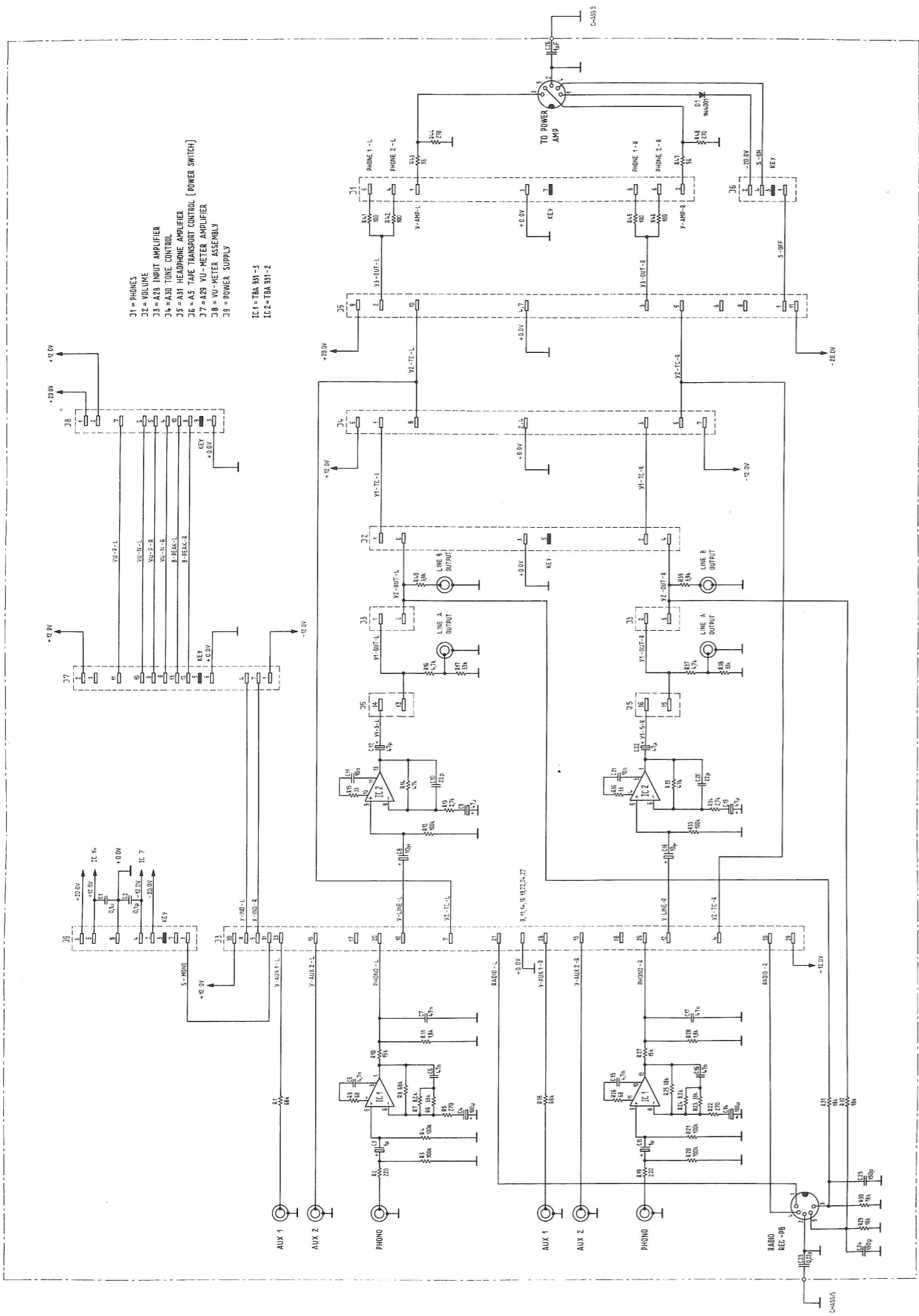
RECORD AMPLIFIER CCIR 1.067.261



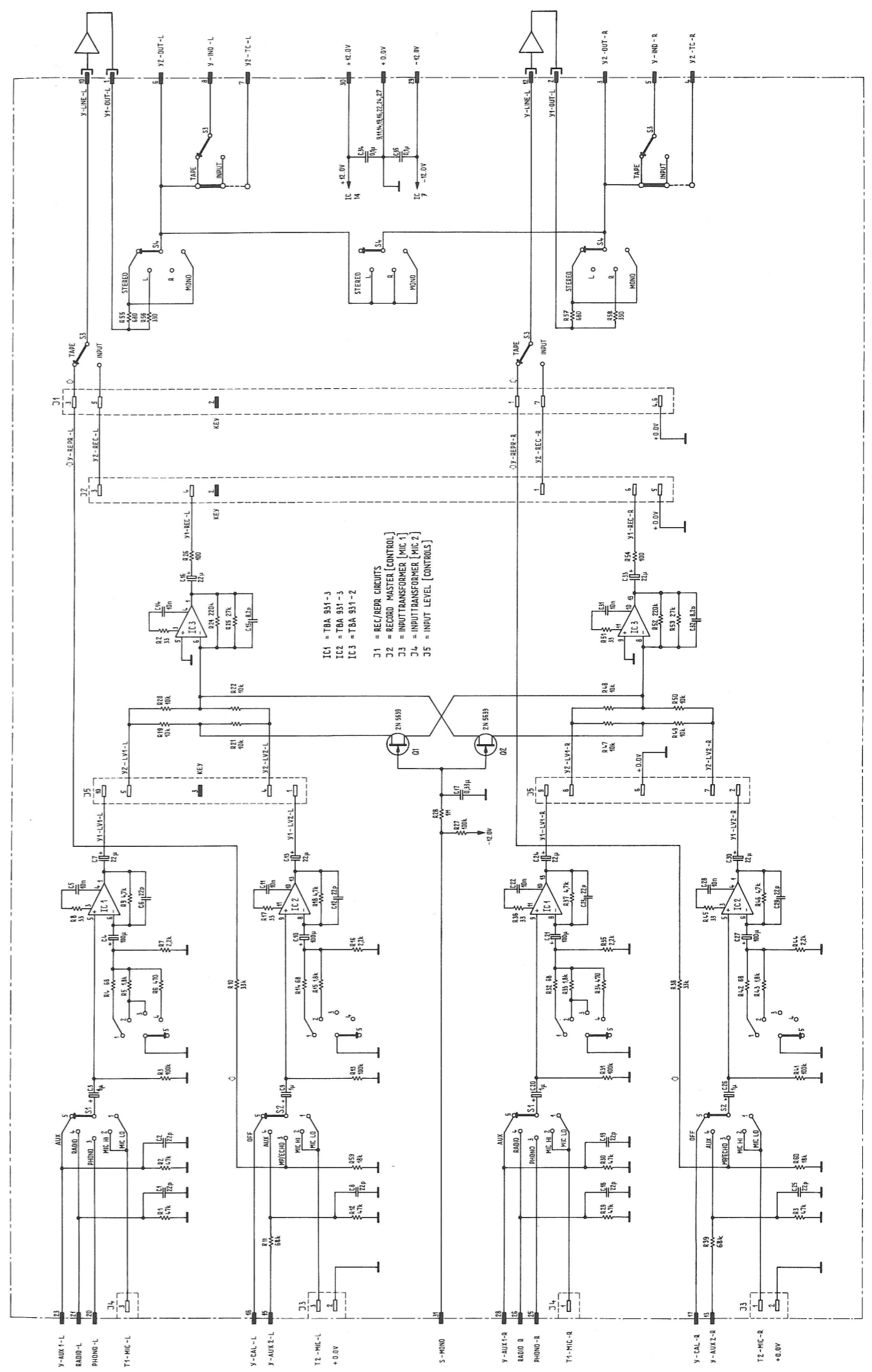
REPRODUCE AMPLIFIER NAB 1.067.270



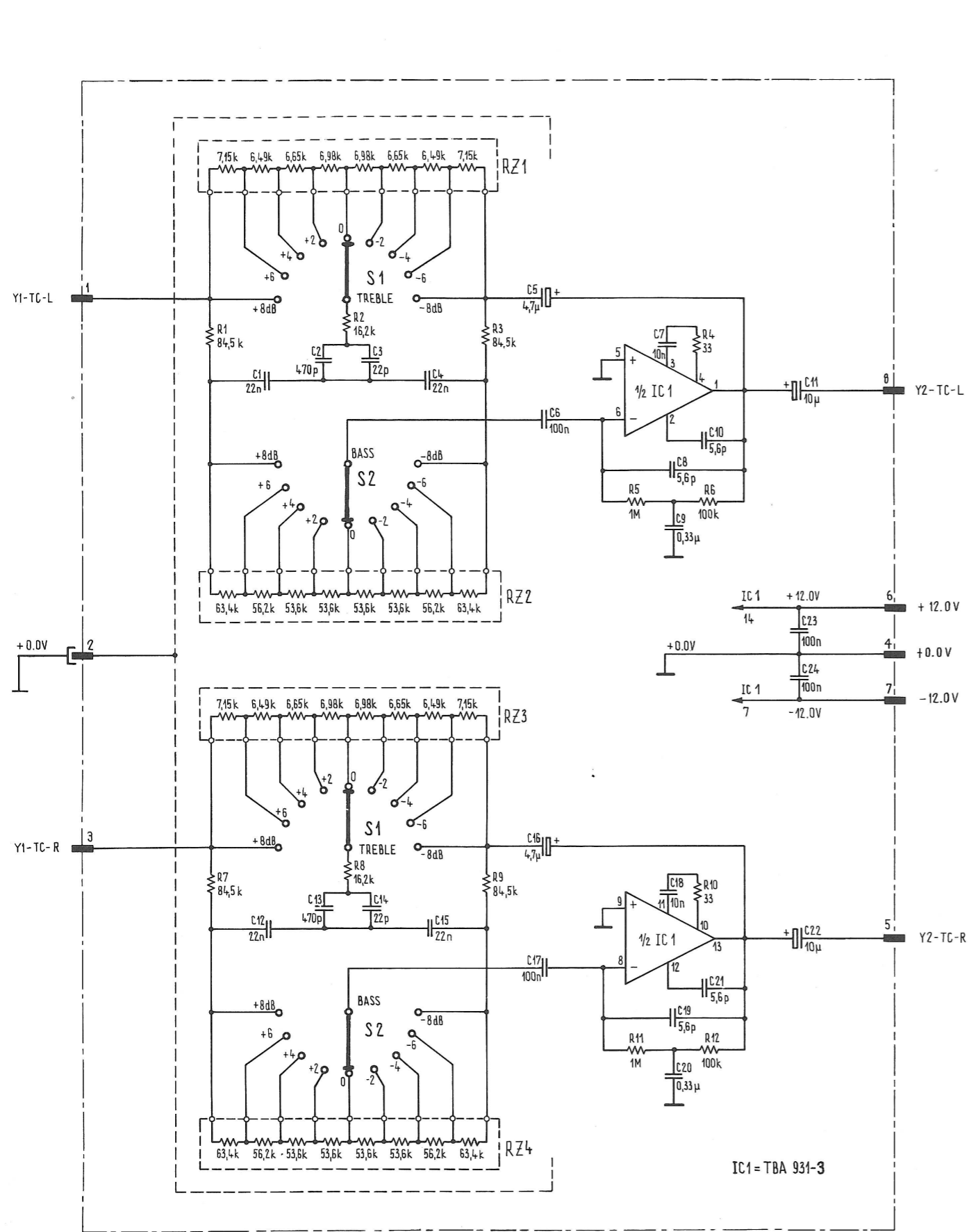
REPRODUCE AMPLIFIER CCIR 1.067.271



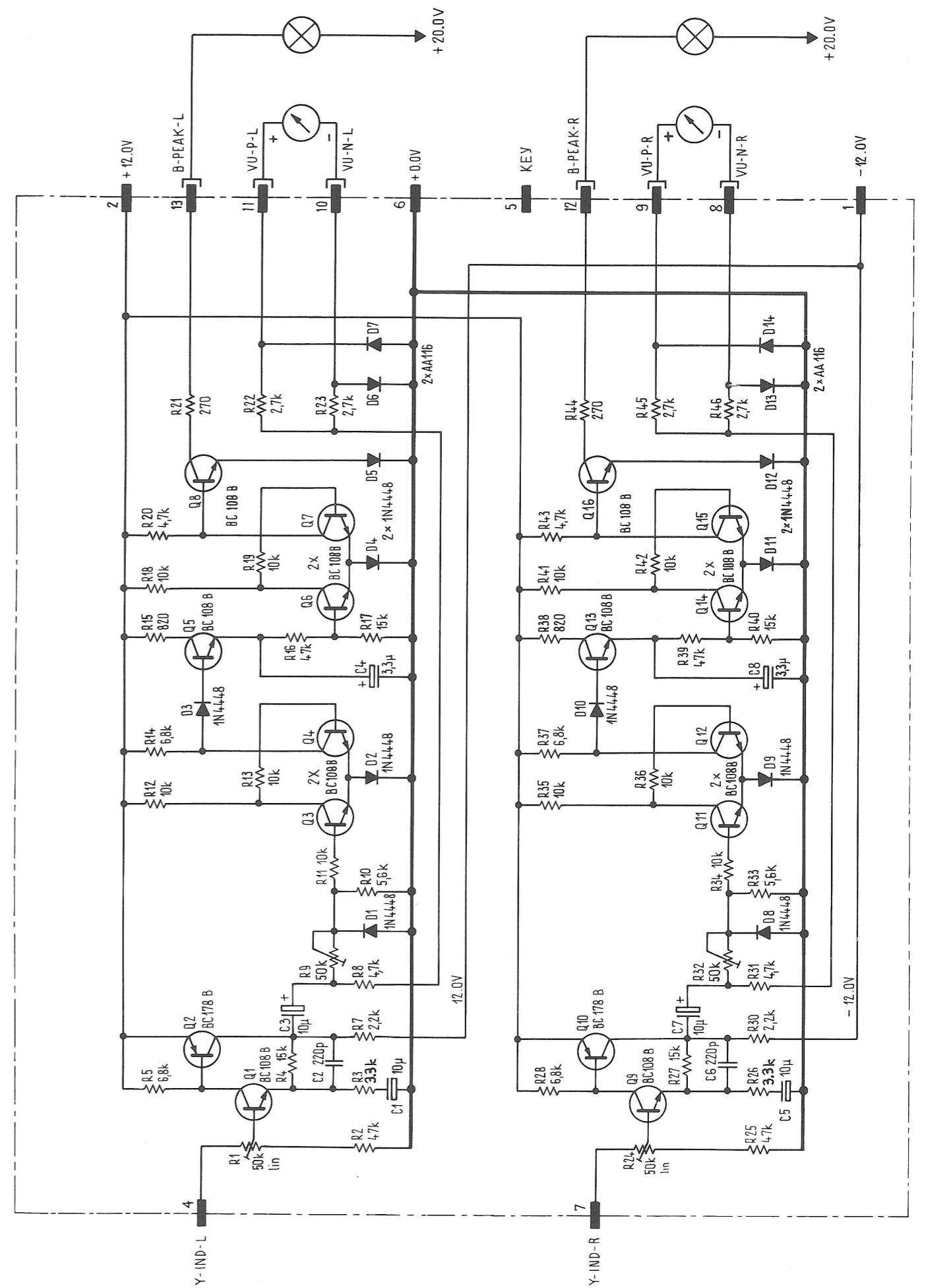
INTERCONNECTION BOARD 1.067.416



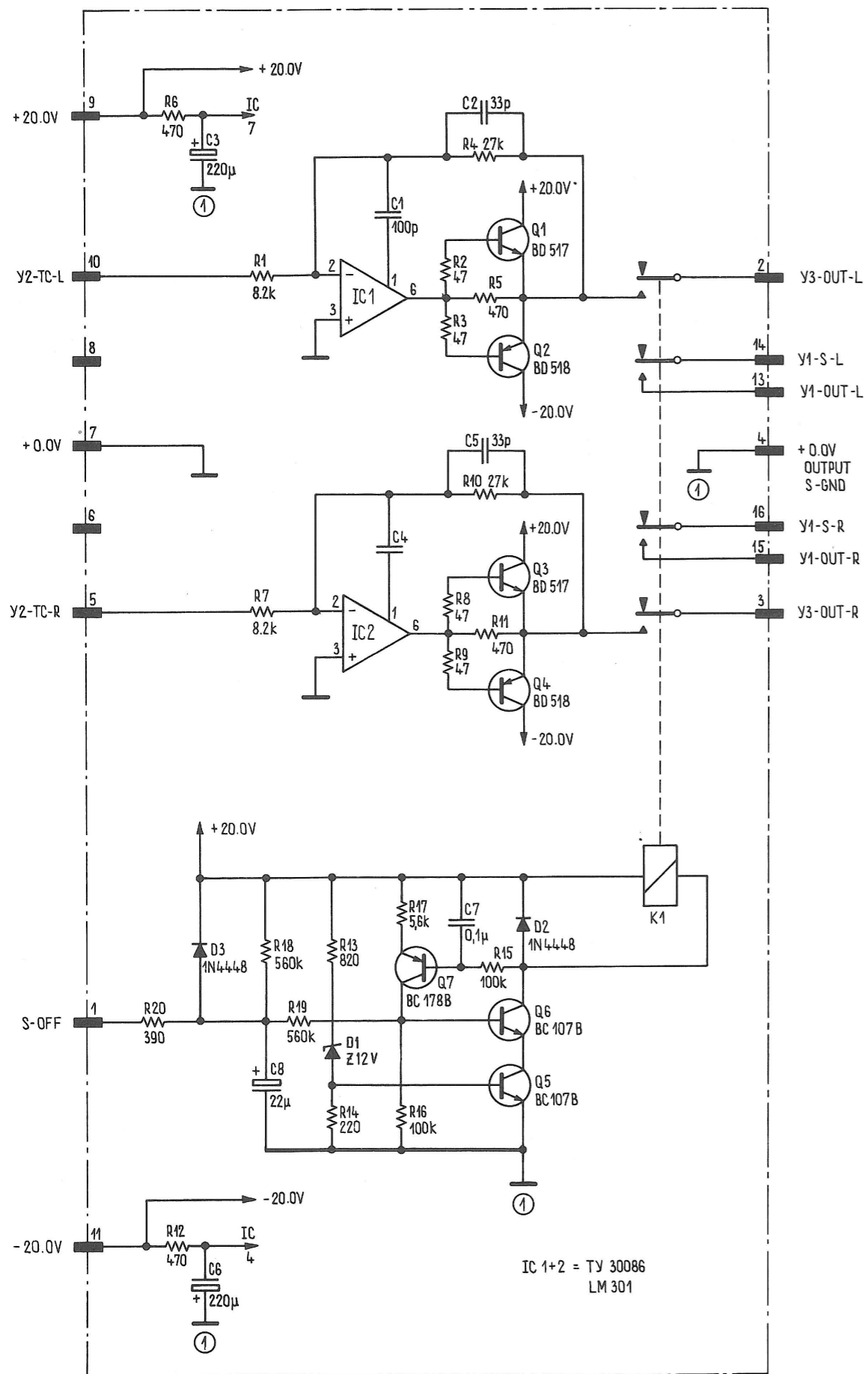
INPUT AMPLIFIER 1.067.405



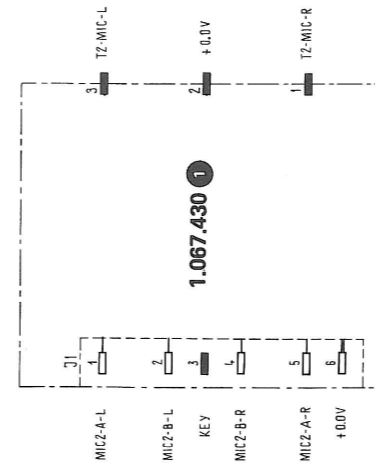
TONE CONTROL 1.067.410



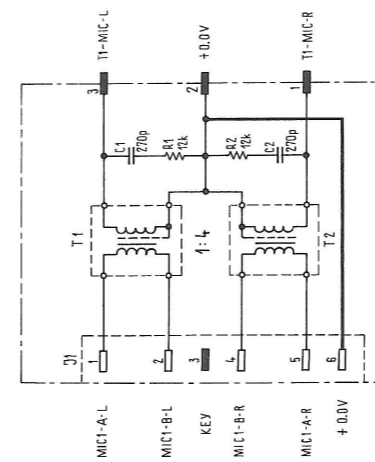
VU-METER AMPLIFIER 1.067.425



HEADPHONE AMPLIFIER 1.067.421



INPUT TRANSFORMER 1.067.430

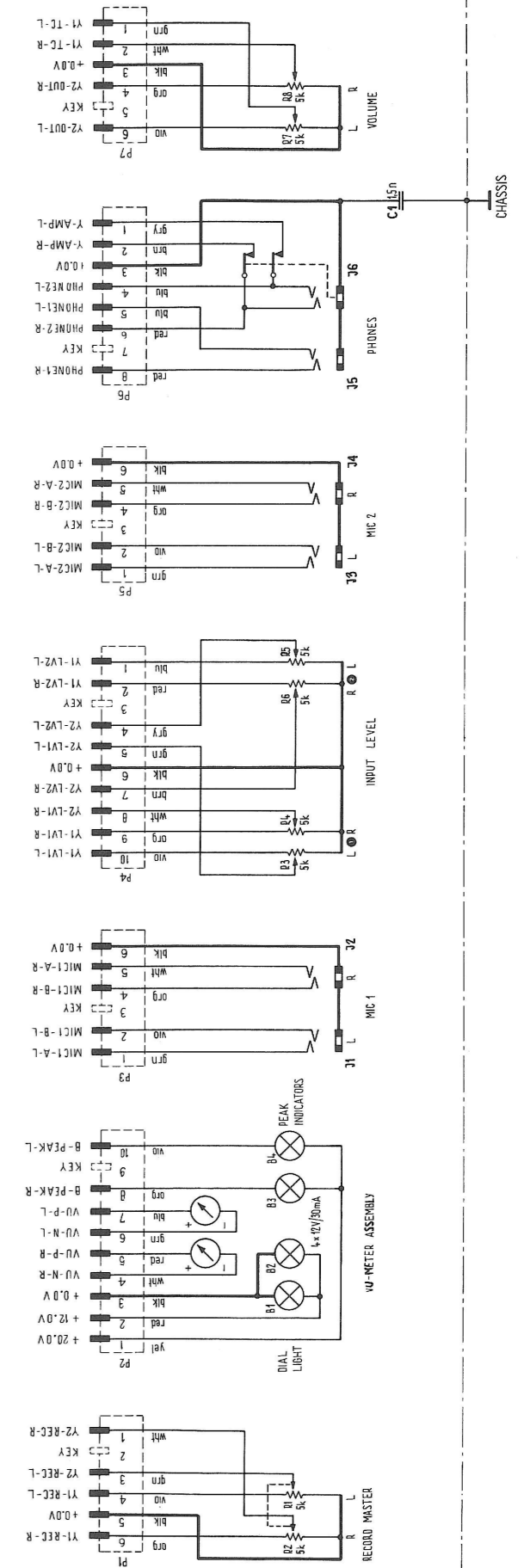


TO INTERCONNECTION P.C. BOARD 1.067.445

TO INPUT AMPLIFIER P.C. BOARD 1.067.405

TO INTERCONNECTION P.C. BOARD 1.067.445

TO INPUT AMPLIFIER P.C. BOARD 1.067.405



FRONT PANEL