

Handling MOS components

MOS components are extremely sensitive to static charges. Please observe therefore the following regulations:

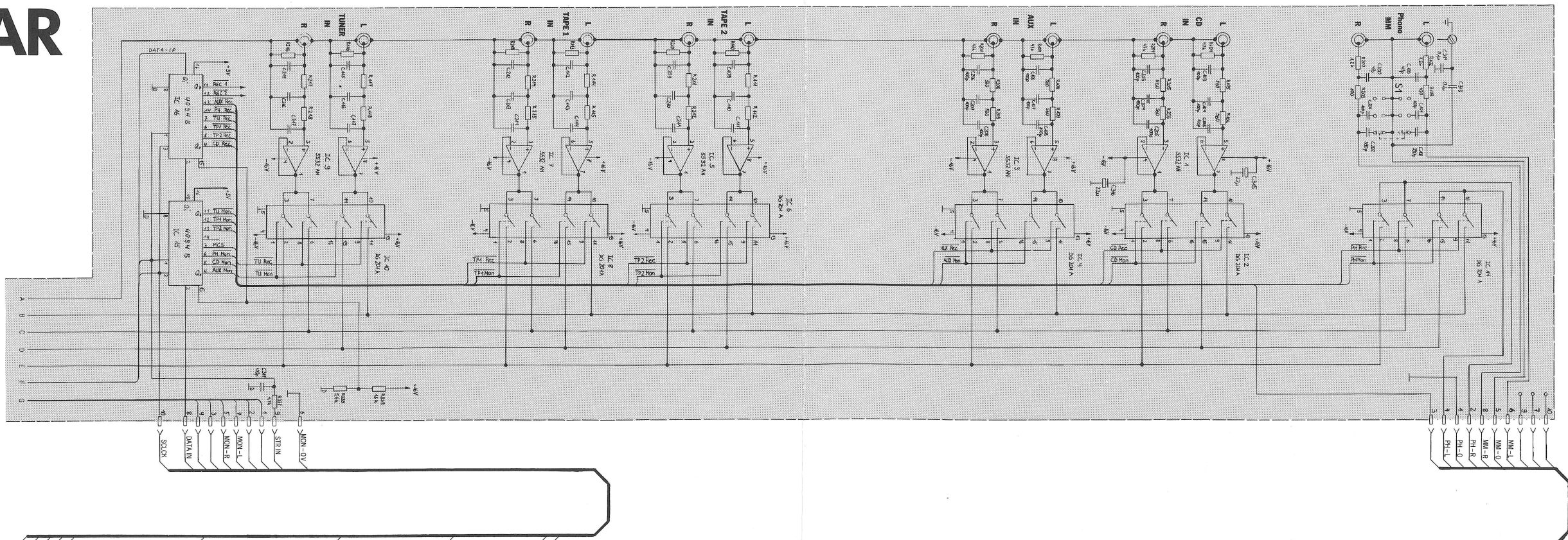
1. Components sensitive to static charges are stored and shipped in protective package. On the packages you find the subsequent symbol.
2. Avoid any contact of connector pins with foam packages and foils made of styropor or similar chargeable package material.
3. Don't touch the connector pins when your wrist is not grounded with a conducting wristlet.
4. Use a grounded conducting mat when working with sensitive components.
5. Never plug or unplug PCBs containing sensitive components when the machine is switched on.



Subject to change
Copyright by WILLI STUDER AG
Printed in Switzerland
Order No. 10.30.1000 (Ed. 1188)

REAR

TO LEFT SIDE

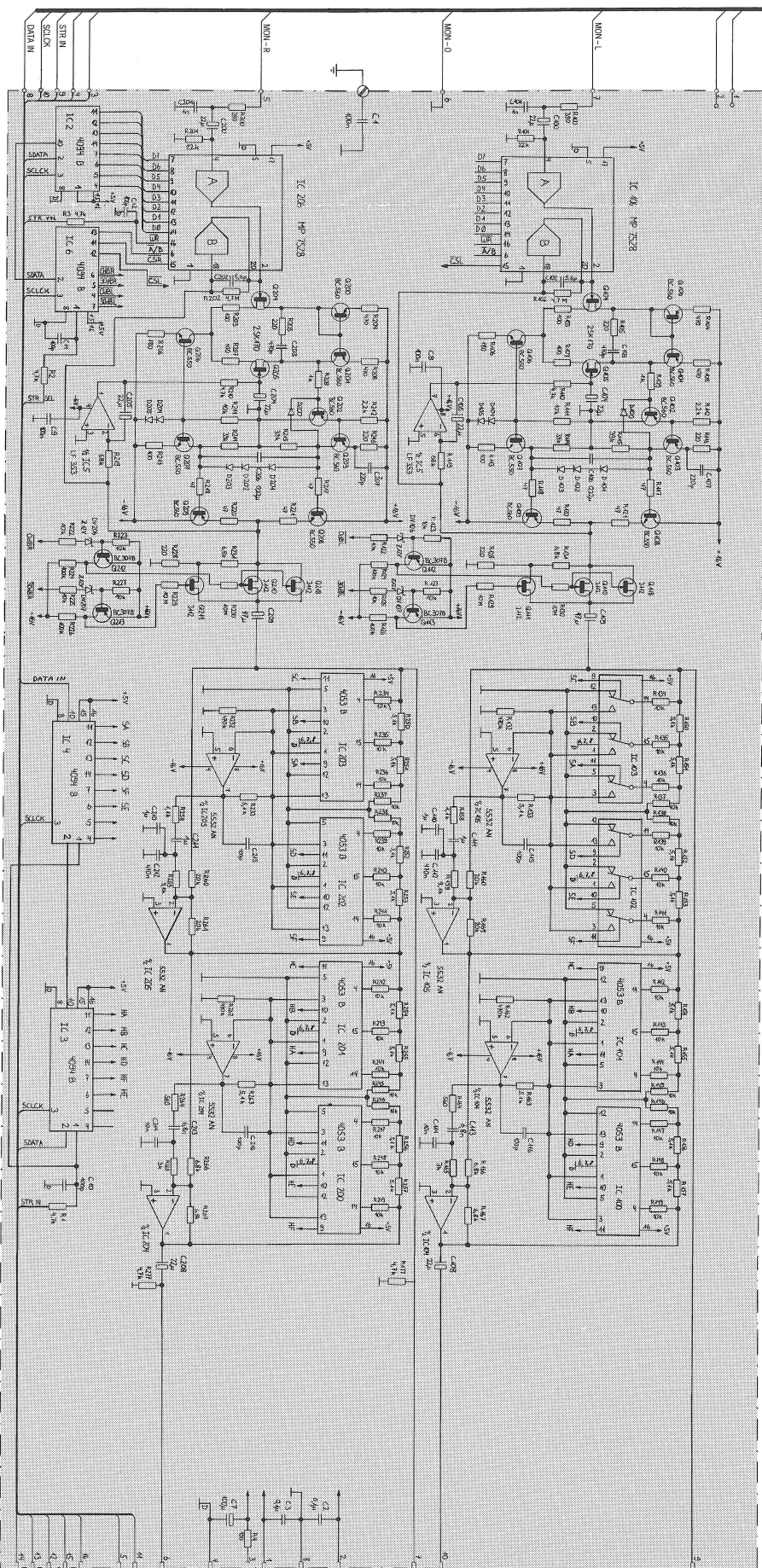


INPUT - OUTPUT UNIT 1.725.245.00

PHONO UNIT 1.725.255.00

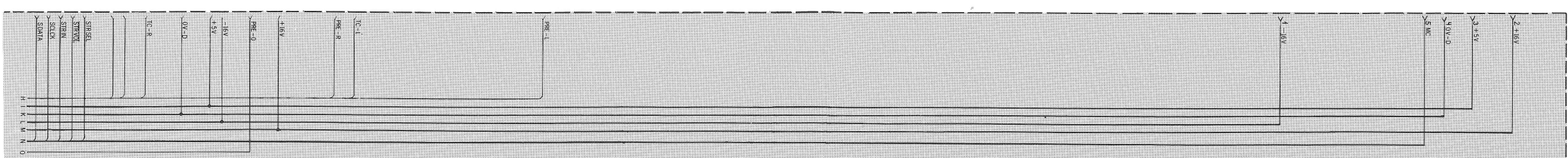
RIGHT SIDE

INTERCONNECTION UNIT 1.725.285.00



PREAMPLIFIER 1.725.265.00

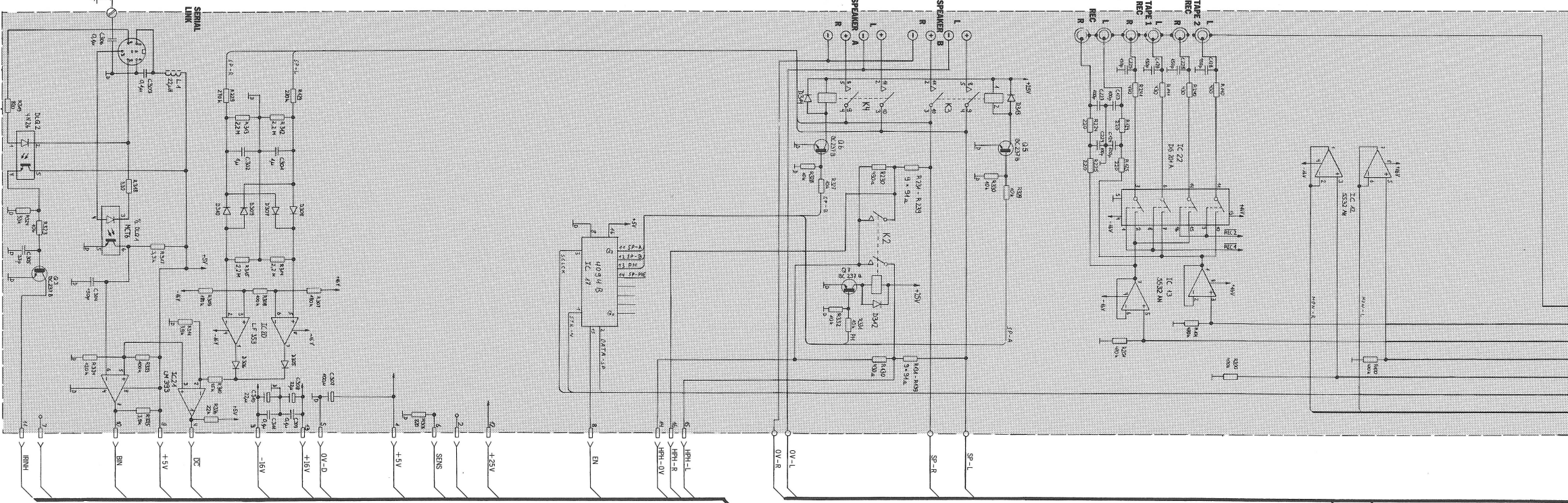
TO LEFT SIDE



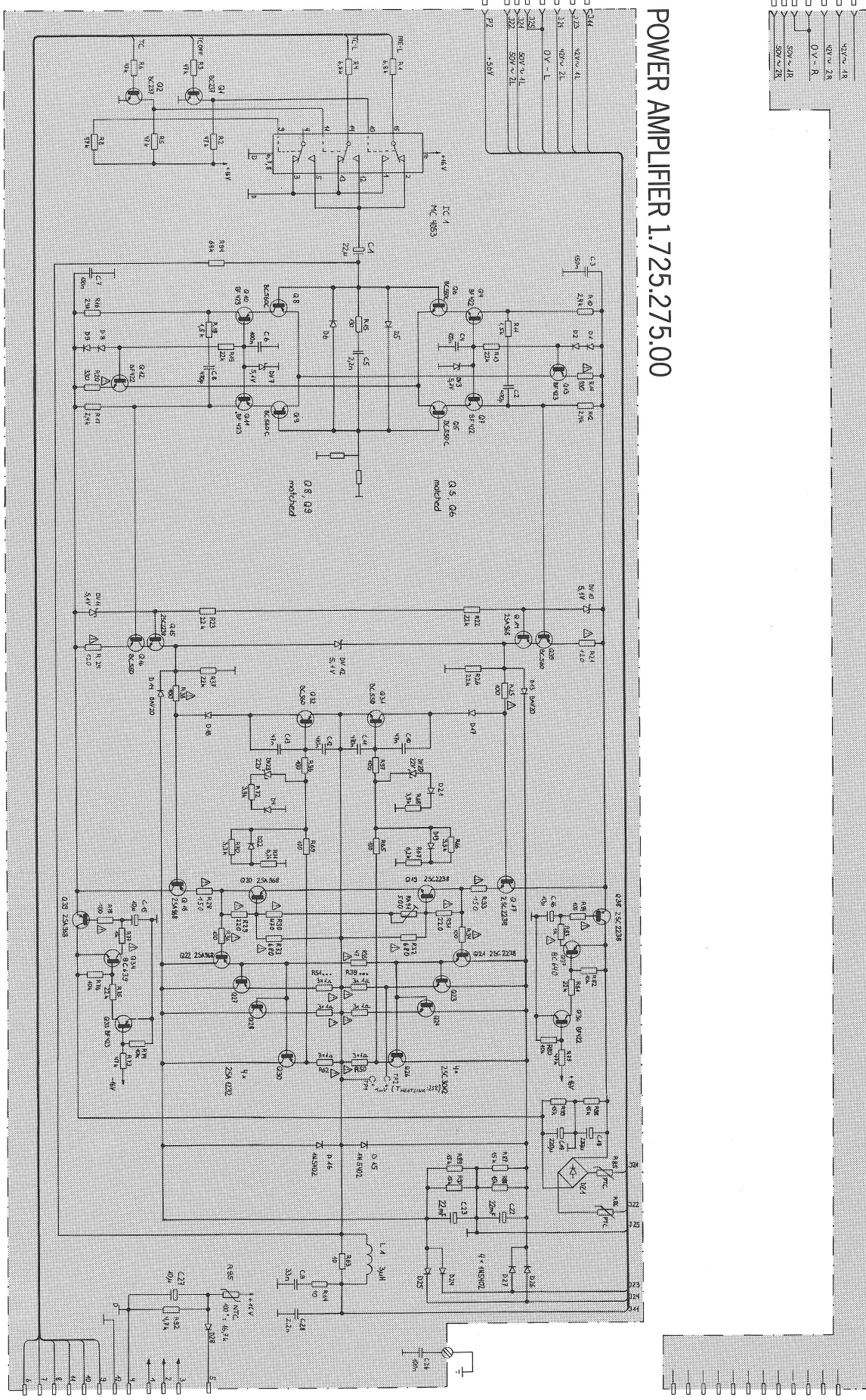
REAR

TO RIGHT SIDE

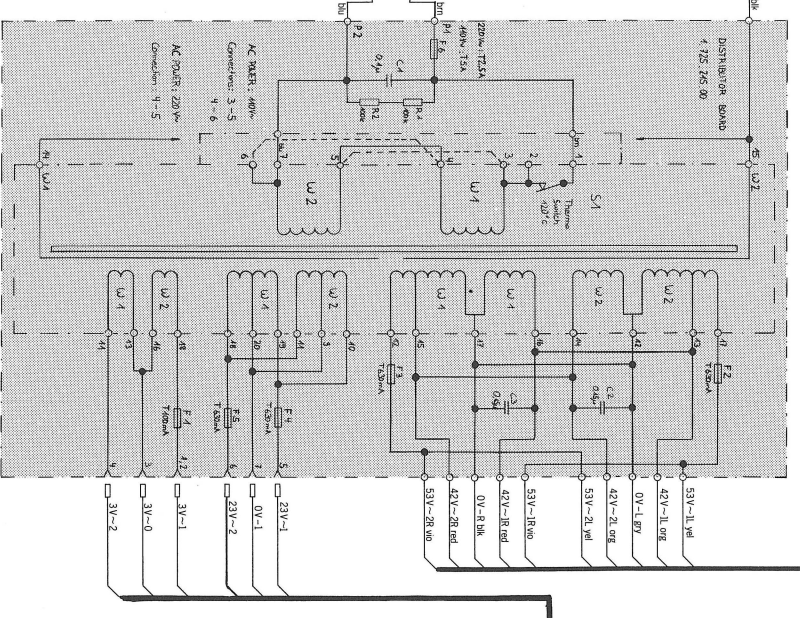
INPUT-OUTPUT UNIT
1.725.245.00



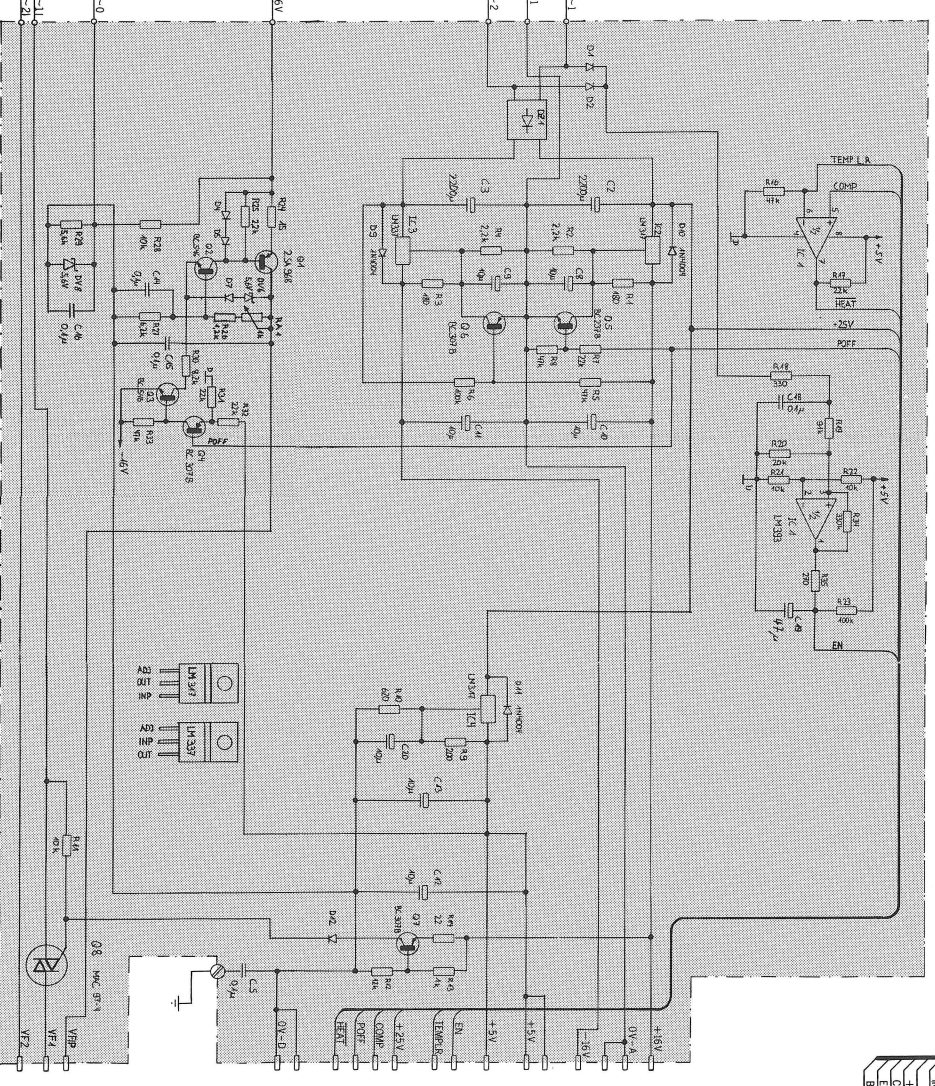
POWER AMPLIFIER 1.725.275.00



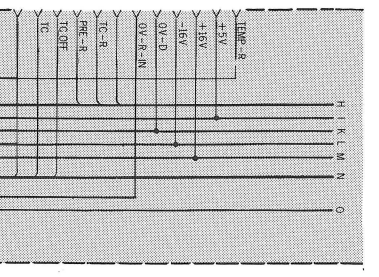
MAINS TRANSFORMER
1.725.205.00



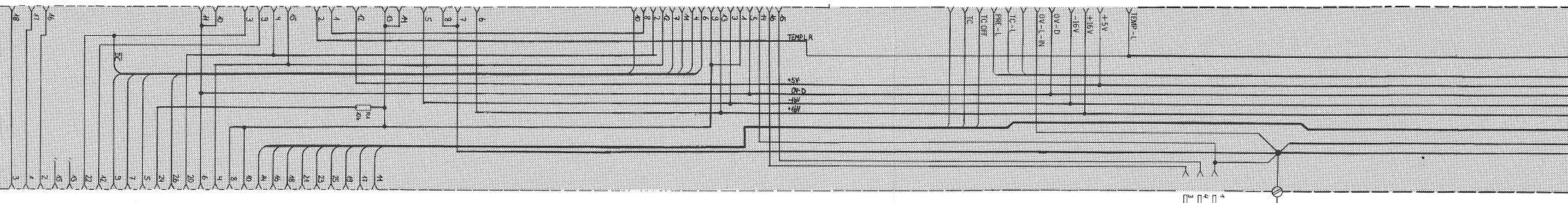
POWER SUPPLY UNIT 1.725.235.00



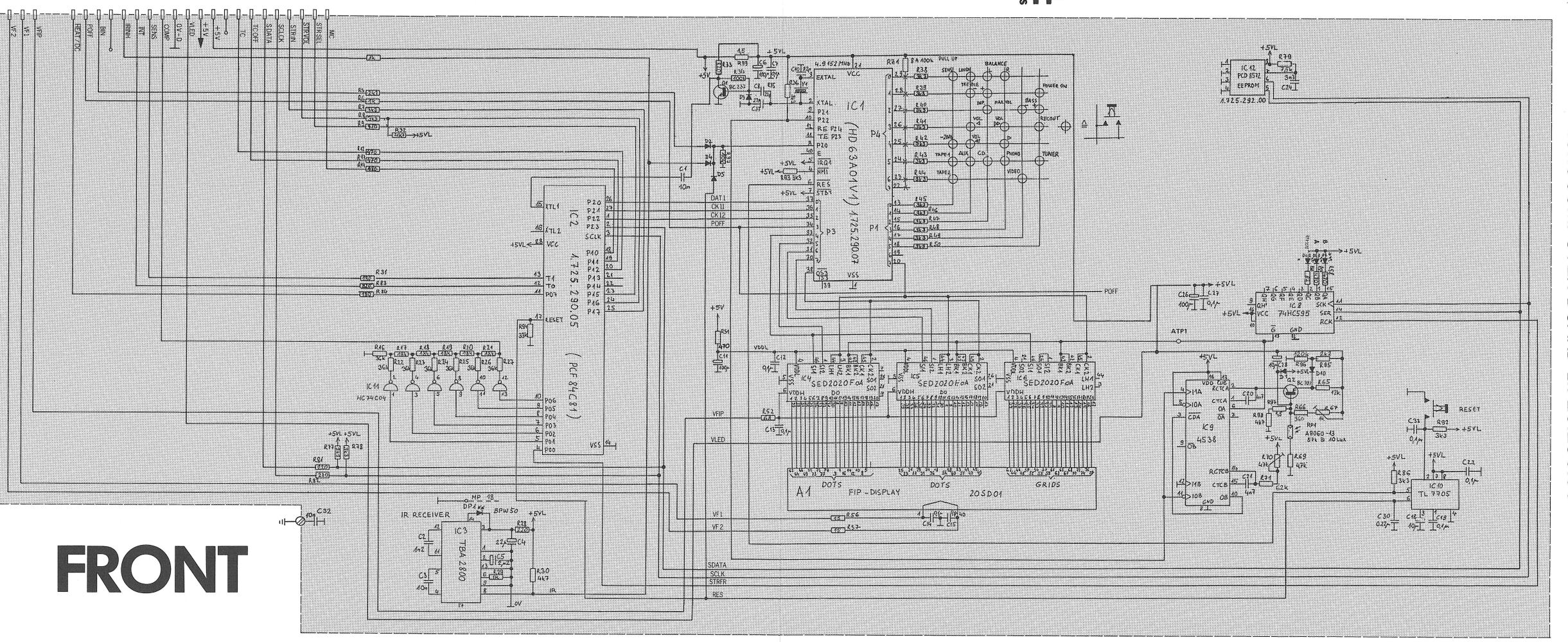
TO RIGHT SIDE



INTERCONNECTION UNIT 1.725.285.00



MICROCOMPUTER BOARD 1.725.295.00



FRONT

LEFT SIDE