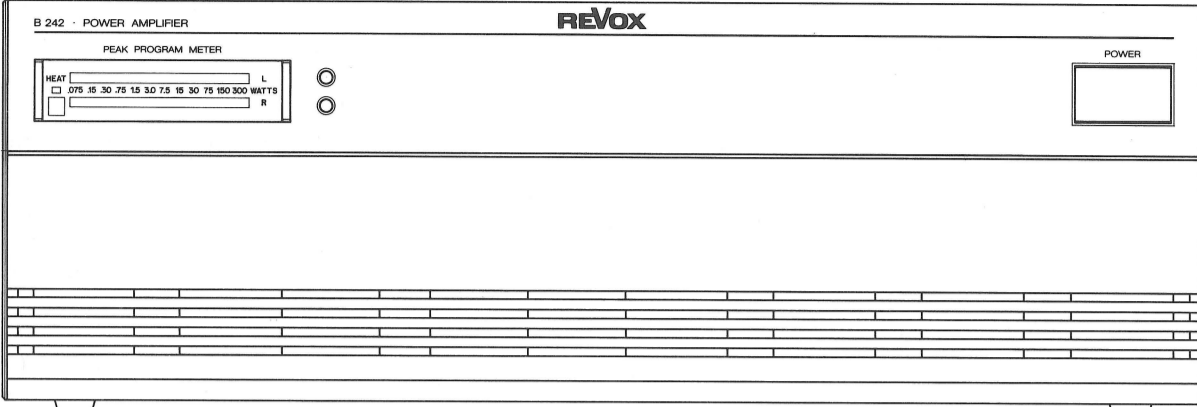


**GESAMTSCHALTBILD
COMPLETE CIRCUIT DIAGRAM
SCHÉMA GÉNÉRAL**

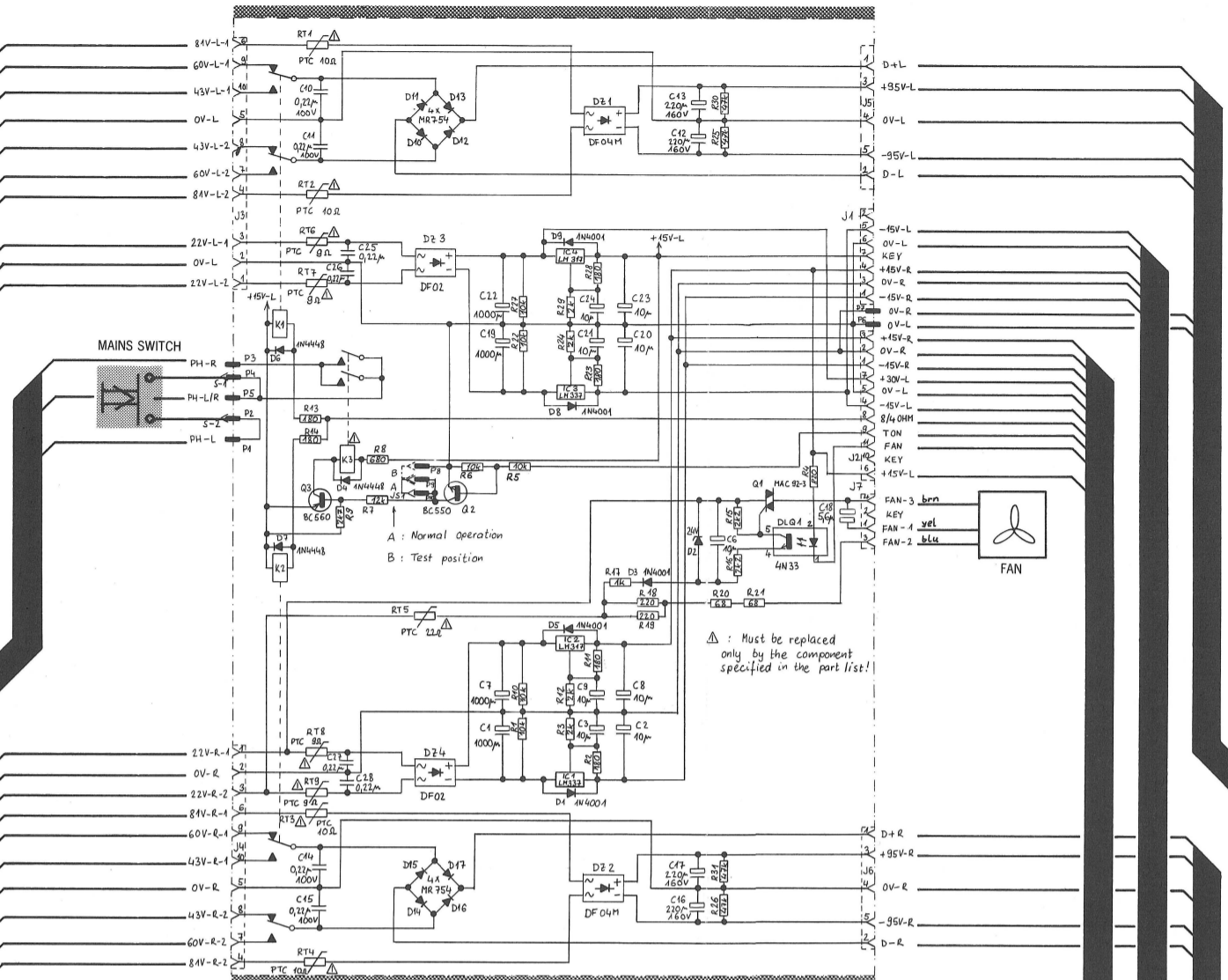
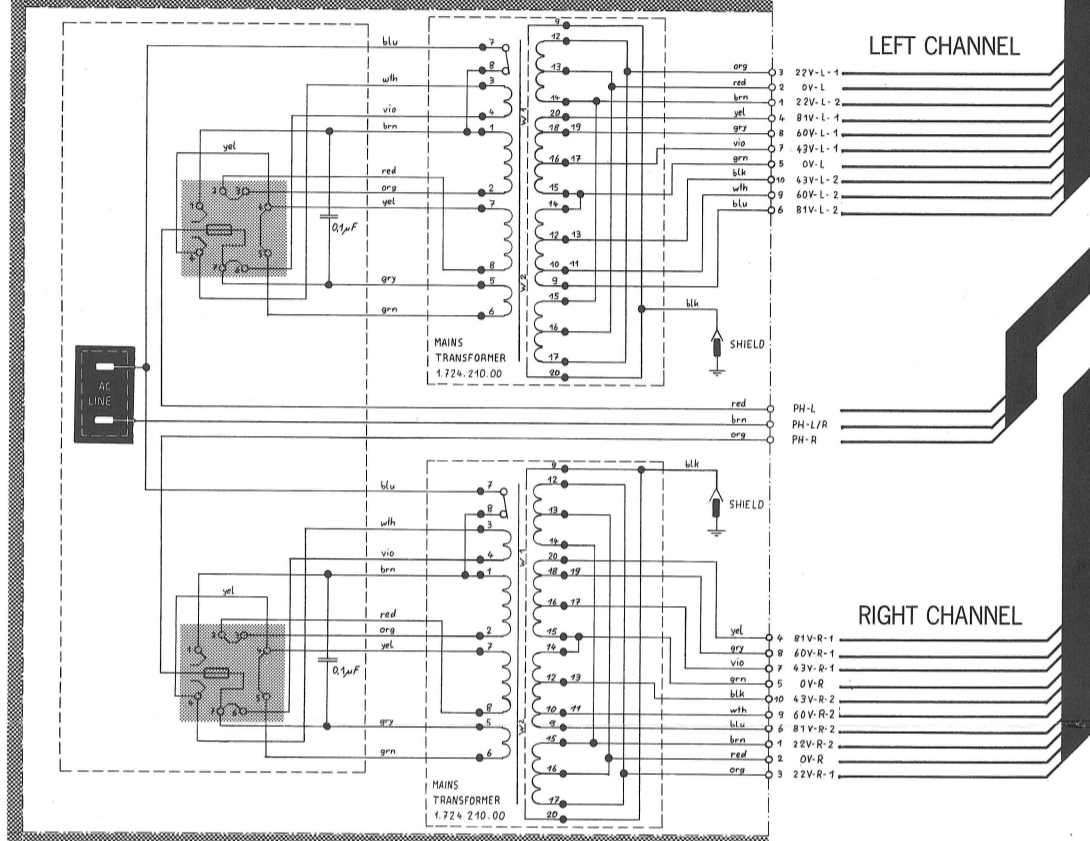
B242

Handling MOS components
MOS components are extremely sensitive to static charges. Please observe therefore the following regulations:
1. Components sensitive to static charges are stored and shipped in protective packages. On the packages you find the subsequent symbol.
2. Avoid any contact of connector pins with foam packages and foils made of styro-por or similar chargeable package material.
3. Don't touch the connector pins when your wrist is not grounded with a conducting wristlet.
4. Use a grounded conducting mat when working with sensitive components.
5. Never plug or unplug PCBs containing sensitive components when the machine is switched on.

Subject to change
Copyright by WILLI STUDER AG
Printed in Switzerland
Order No. 10.30.560 (Ed. 0286)

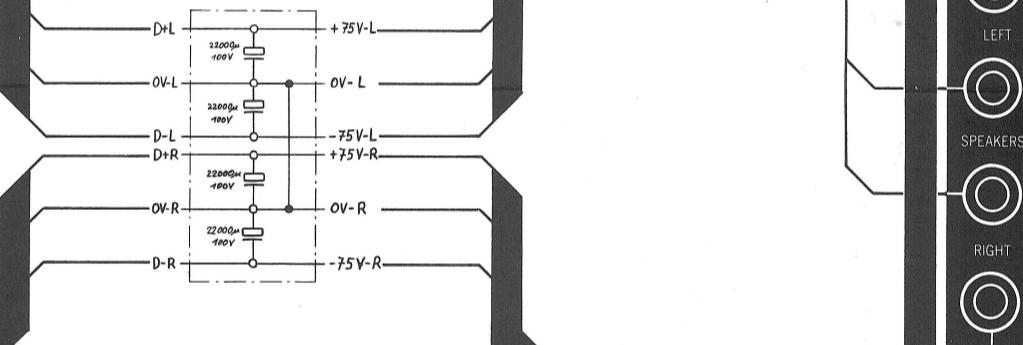
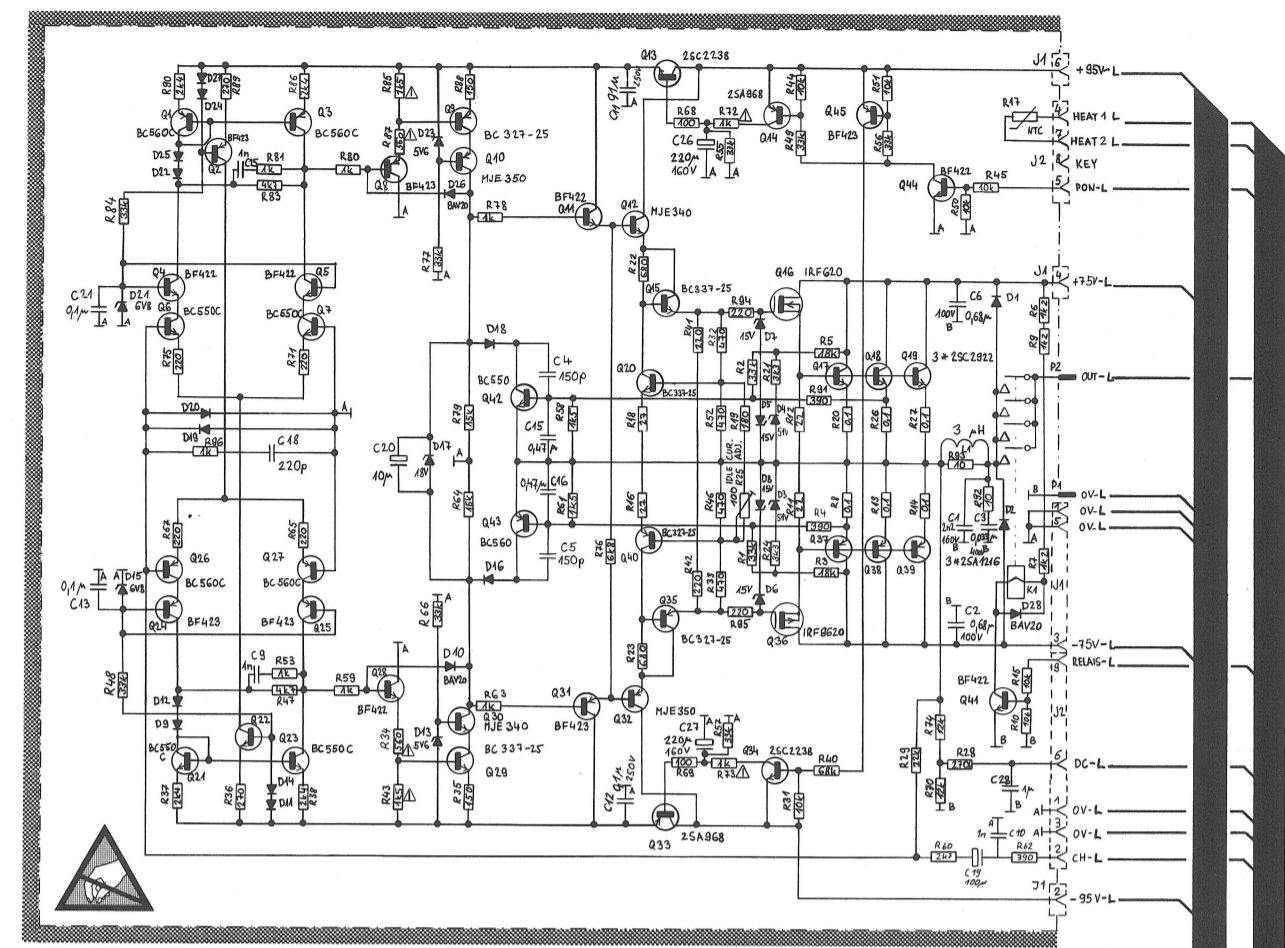


MAINS SECTION

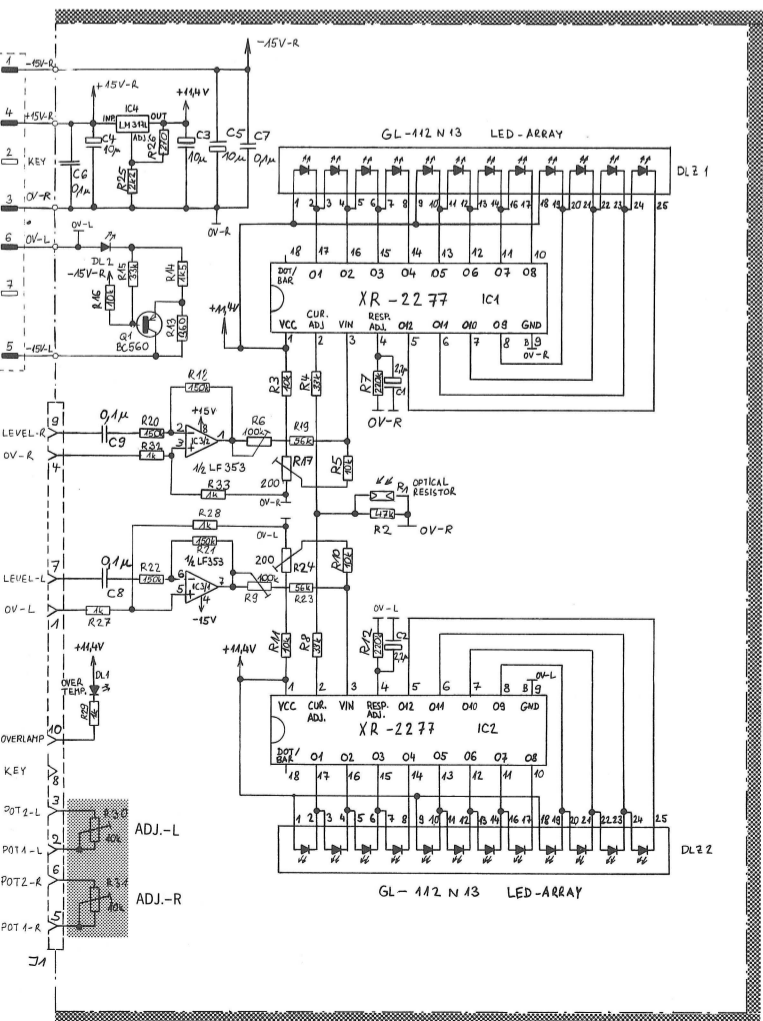


POWER SUPPLY BOARD 1.724.240

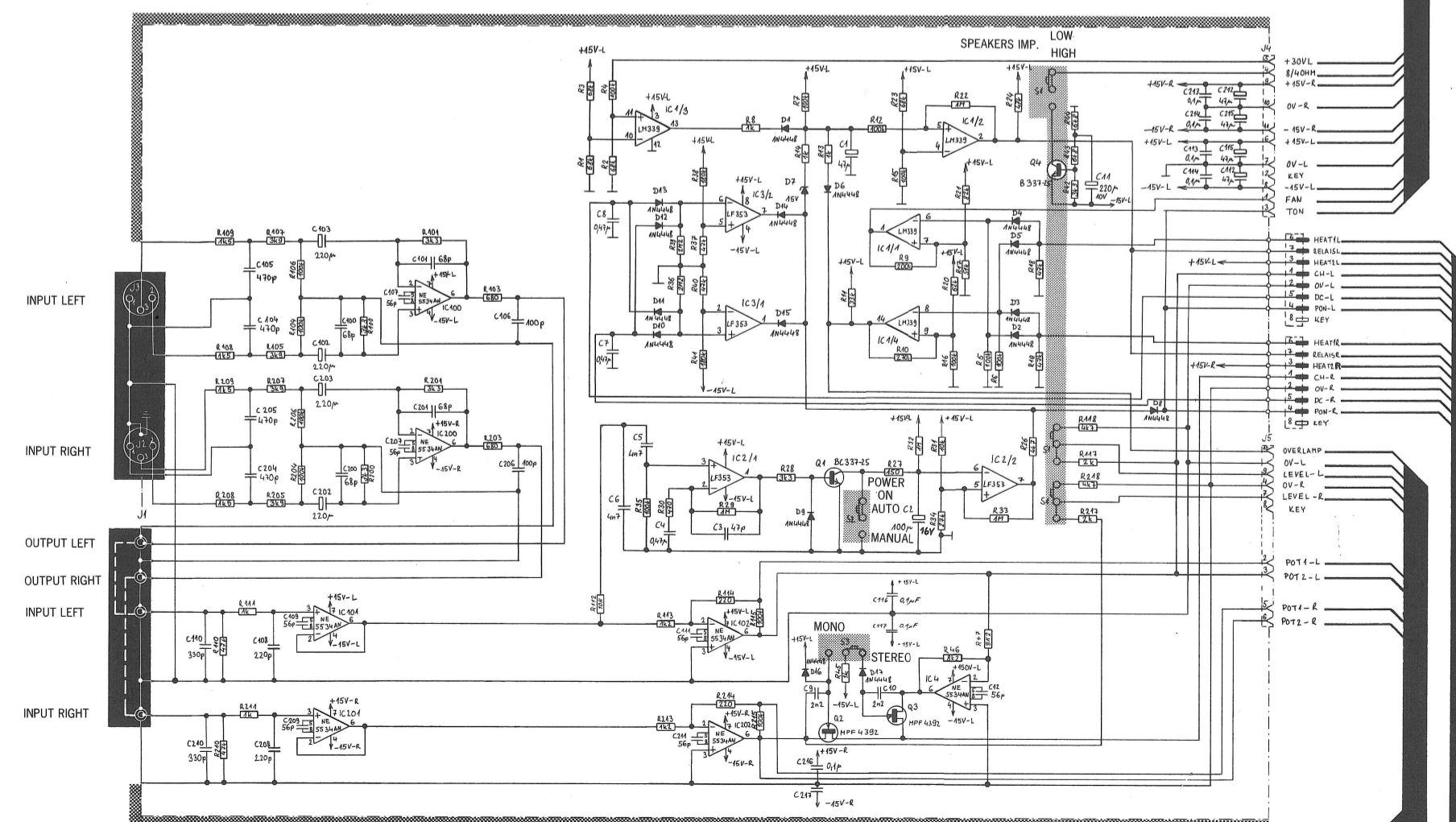
POWER AMPLIFIER BOARD LEFT 1.724.280



LEVEL METER BOARD 1.724.250



INPUT AMPLIFIER BOARD 1.724.260



POWER AMPLIFIER BOARD RIGHT 1.724.280

