

6. DIAGRAMS AND LIST OF SUBASSEMBLIES

INHALT		Seite
<hr/>		
LOCATION OF ASSEMBLIES		
FRONT VIEW		6/1
BACK VIEW		6/2
LOCATION OF JUMPERS AND ADJUSTING ELEMENTS		6/3
VU-PEAK BOARD ADJUSTING ELEMENTS		6/4
<hr/>		
WIRING DIAGRAMS		
WIRING BLOCK DIAGRAM		6/5
WIRE HARNESS MONITOR	1.777.820.00	6/7
LINE POTMETER OUTPUT	1.777.825.00	6/8
CONNECTION UNIT	1.777.830.00	6/9
<hr/>		
TAPE DECK CONTROL DIAGRAMS		
SPOOLING SERVO BLOCK DIAGRAM		6/11
CPU BLOCK DIAGRAM		6/12
CAPSTAN SERVO DIAGRAM		6/13
MAINS TRANSFORMER	1.777.300.00	6/15
DISTRIBUTOR BOARD	1.777.320.00	6/17
CONTROL BOARD	1.777.400.22	6/19
TENSION ARM BOARD	1.777.211.00	6/23
TAPE MOVE SENSOR PCB	1.020.316.00	6/25
TAPE SENSOR BOARD	1.050.312.00	6/27
TACHO BOARD	1.777.250.00	6/29
CAPSTAN SERVO BOARD	1.777.410.21	6/31
CAPSTAN SERVO BOARD	1.777.412.21	6/35
FAST START BOARD	1.777.414.00	6/39
CONNECTION BOARD	1.777.441.00	6/41
KEYBOARD	1.777.450.00	6/43
KEYBOARD	1.777.451.00	6/45
<hr/>		
AUDIO DIAGRAMS		
AUDIO BLOCK DIAGRAM		6/47
AUDIO BASIS BOARD	1.777.500.81	6/49
MIC-LINE-SWITCH BOARD	1.777.520.00	6/53
INSTALLATION INSTRUCTIONS FOR THE MIC OPTION BOARD		6/55
RECORD EQUALIZER BOARD	1.777.540.00	6/57
RECORD SPEED BOARD 9.5/19 IEC	1.777.550.00	6/59
RECORD SPEED BOARD 19/38 IEC	1.777.552.00	6/61
RECORD SPEED BOARD 9.5/38 IEC	1.777.554.00	6/63
RECORD SPEED BOARD 19/38 NAB	1.777.558.00	6/67
RECORD SPEED BOARD 9.5/38 NAB	1.777.559.00	6/69
ERASE AMPLIFIER BOARD	1.777.560.81	6/71
BIAS CONTROL BOARD	1.777.570.81	6/73
PREAMPLIFIER BOARD	1.777.610.00	6/75
REPRODUCE EQUALIZER BOARD	1.777.620.00	6/77
REPRO SPEED BOARD 9.5/19 IEC	1.777.630.00	6/79
REPRO SPEED BOARD 19/38 IEC	1.777.632.00	6/81
REPRO SPEED BOARD 9.5/38 IEC	1.777.634.00	6/83
REPRO SPEED BOARD 9.5/19 NAB	1.777.636.00	6/85
REPRO SPEED BOARD 19/38 NAB	1.777.638.00	6/87
REPRO SPEED BOARD 9.5/38 NAB	1.777.639.00	6/89
OUTPUT AMPLIFIER BOARD	1.777.640.00	6/91
AUDIO SWITCH BOARD	1.777.462.00	6/93
AUDIO SWITCH BOARD	1.777.463.00	6/95
VU-PEAK BOARD	1.777.460.00	6/97

Subject to change
Prepared and edited by
STUDER REVOX
TECHNICAL DOCUMENTATION
Althardstrasse 10
CH-8105 Regensdorf-Zürich

Copyright by WILLI STUDER AG
Printed in Switzerland

Order No.: 10.30.0691 (Ed. 0489)

REVOX is a registered trade mark of WILLI STUDER AG
Regendorf.

ABBREVIATIONS

A	assembly
ANT	antenna
B	bulb
BA	battery, accumulator
BR	optocoupler (bulb --> LDR)
C	capacitor
D	diode, DIAC
DL	LED light-emit. diode
DLQ	optocoupler (LED --> phototransistor)
DLR	optocoupler (LED --> LDR)
DLZ	LED-array, 7-segment-display
DP	photodiode
DZ	rectifier
E	electronic part
EF	headphones
F	fuse
FL	filter
H	head (sound-/erase-)
HC	hybrid circuit
HE	hall element
IC	integrated circuit
J	jack (female)
JS	jumper
K	relay, contactor
L	coil, inductance
LS	loudspeaker
M	motor
ME	meter
MIC	microphone
MP	mechanical part
P	plug (male)
PU	pick up
Q	transistor, FET, thyristor, TRIAC
QP	phototransistor
QPZ	phototransistor-array
R	resistor
RP	light depend. resistor
RT	temp. sensit. resistor
RZ	resistor array
S	switch
T	transformator
TL	delay line
TP	test point
W	wire, stranded wire
X	socket, holder
XB	lamp socket
XF	fuse holder
XIC	IC-socket
Y	quarz, piezoelement
Z	network, array

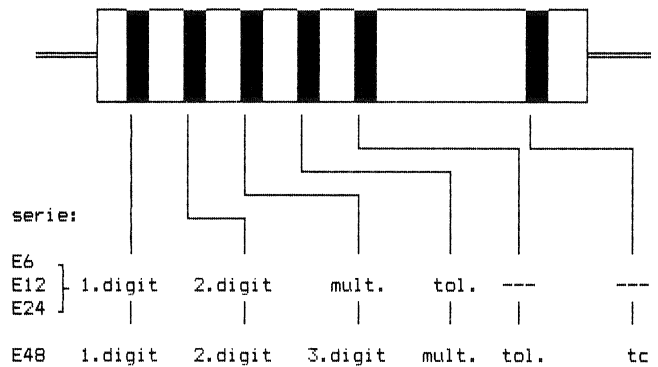
POWERS OF TEN

designation	abbrev.	value
Tera-	T	10 ¹²
Giga-	G	10 ⁹
Mega-	M	10 ⁶
Kilo-	k	10 ³
Milli-	m	10 ⁻³
Mikro-	μ	10 ⁻⁶
Nano-	n (mμ)	10 ⁻⁹
Pico-	p (μμ)	10 ⁻¹²
Femto-	f	10 ⁻¹⁵

() = USA used designation

CODE LETTERS AND COLORS

Resistors



color	digit	multiplier	tolerance	tc
gold	-	0,01	5 %	-
silver	-	0,1	10 %	-
black	0	1	-	-
brown	1	10	1 %	100·10 ⁻⁶ /K
red	2	100	2 %	50·10 ⁻⁶ /K
orange	3	1 k	-	15·10 ⁻⁶ /K
yellow	4	10 k	-	25·10 ⁻⁶ /K
green	5	100 k	0,5 %	-
blue	6	1 M	0,25 %	-
violet	7	10 M	0,1 %	-
grey	8	-	-	-
white	9	-	-	-

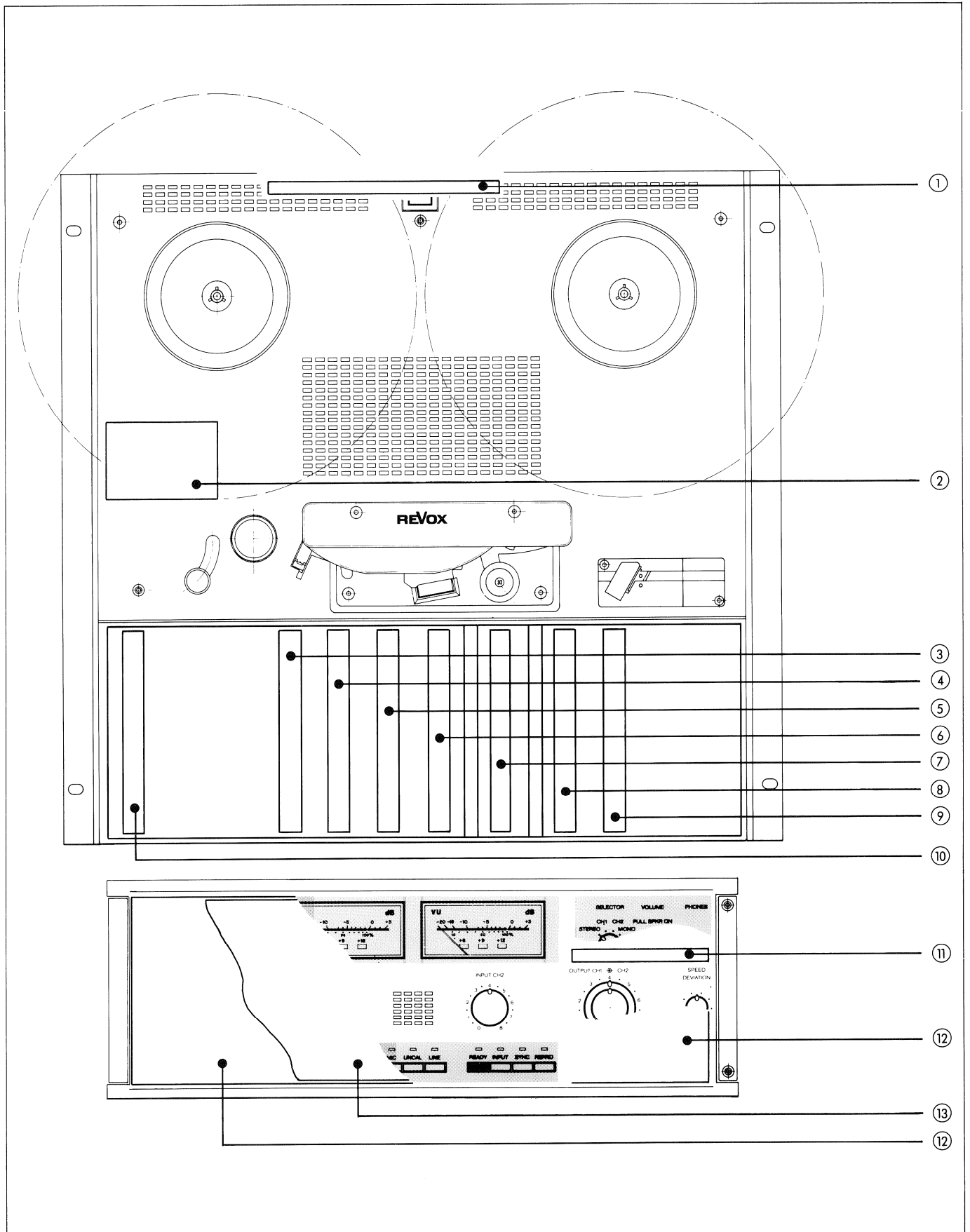
No tc-coding = 50 · 10⁻⁶/K

CAPACITORS

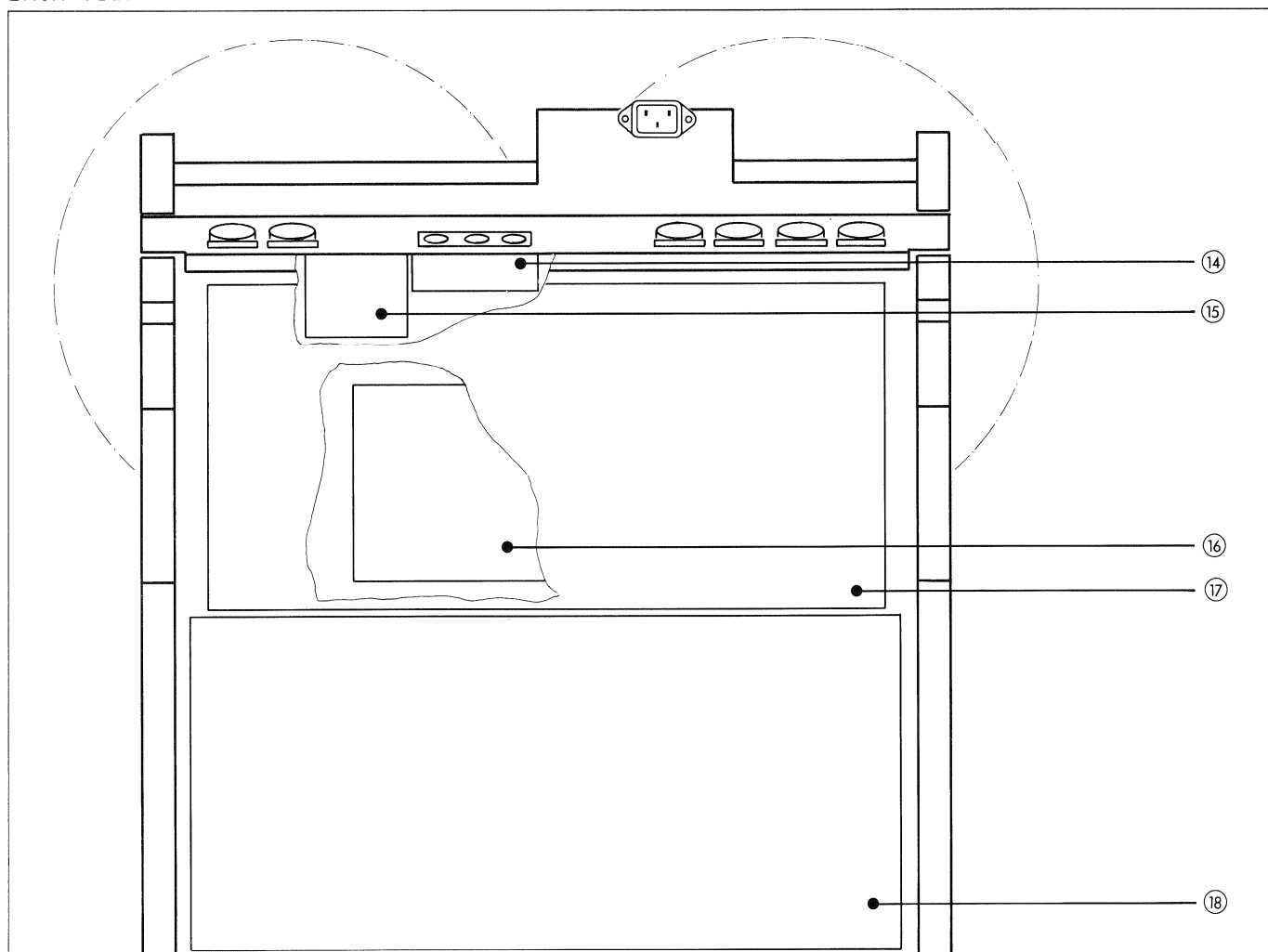
The tolerance category is sometimes specified by a letter after the rated capacitance:

D	= 0,5 %
F	= 1 %
G	= 2 %
J	= 5 %
K	= 10 %
M	= 20 %

FRONT VIEW

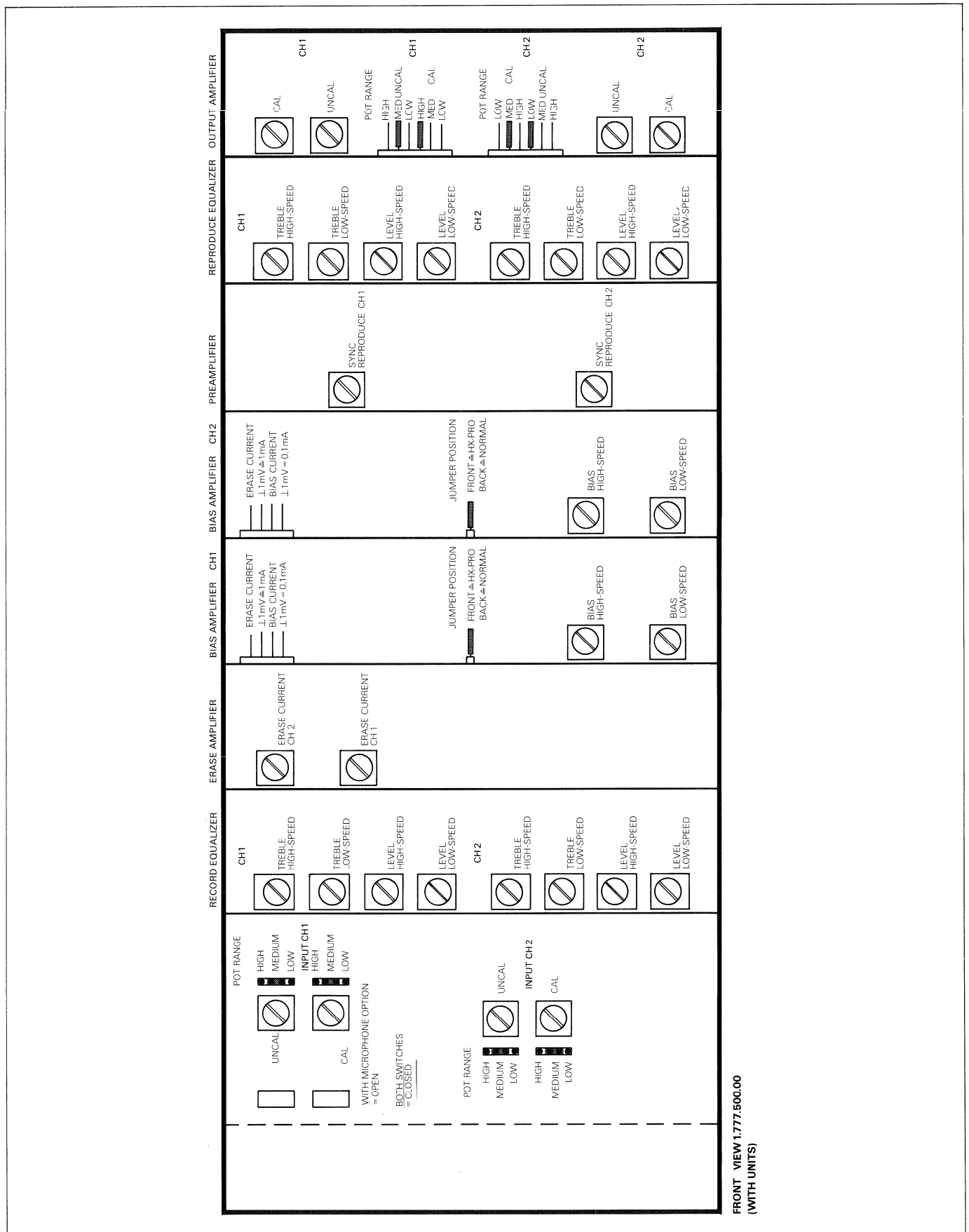


BACK VIEW



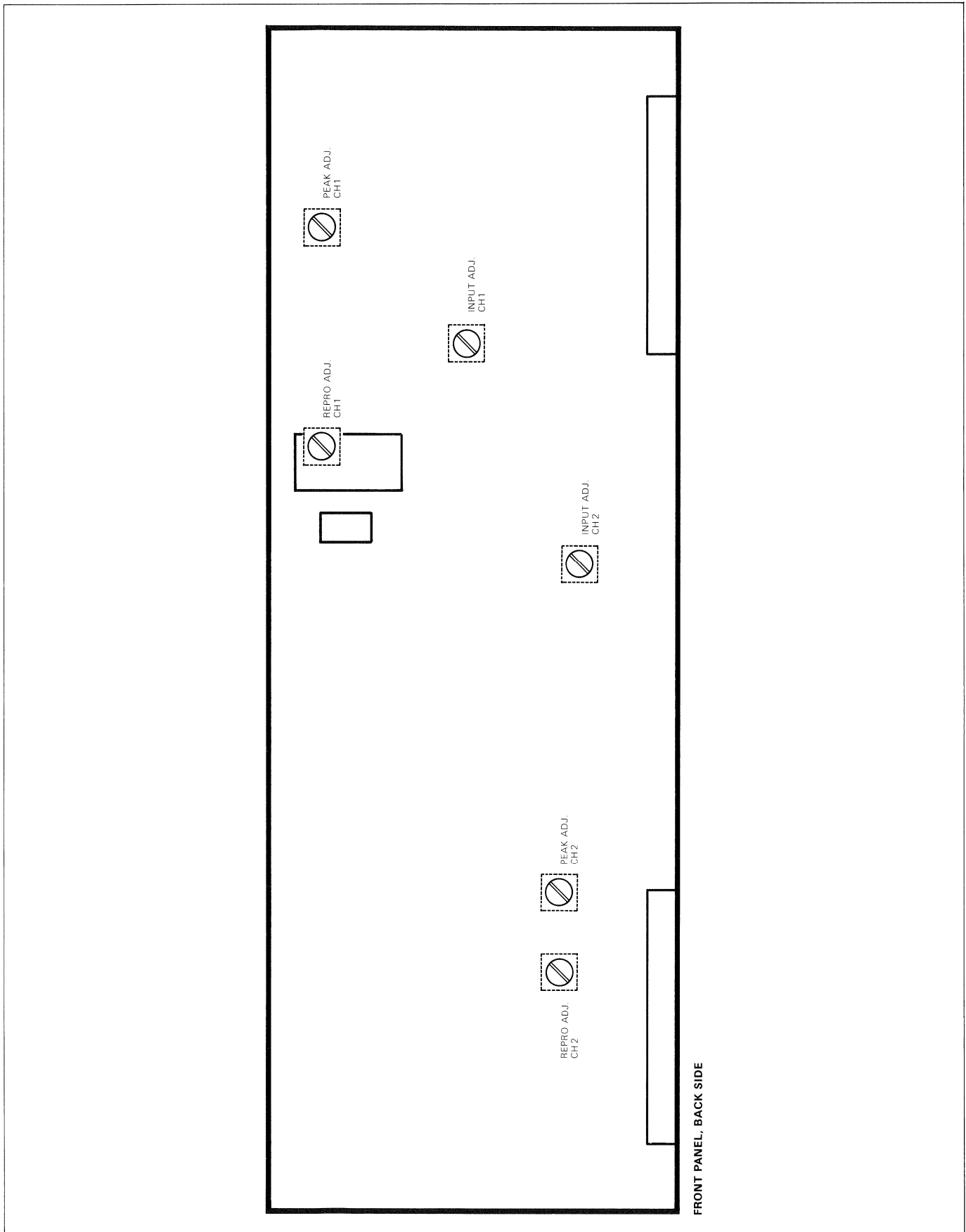
[1]	DISTRIBUTOR BOARD	1.777.320.00
[2]	TENSION ARM BOARD	1.777.211.00
[3]	RECORD EQUALIZER BOARD	1.777.540.00
	- RECORD SPEED BOARD	1.777.550.00 - .559.00
[4]	ERASE AMPLIFIER BOARD	1.777.560.00
[5]	BIAS AMPLIFIER BOARD	1.777.570.00
[6]	BIAS AMPLIFIER BOARD	1.777.570.00
[7]	PREAMPLIFIER BOARD	1.777.610.00
[8]	REPRODUCE EQUALIZER BOARD	1.777.620.00
	- REPRO SPEED BOARD	1.777.630.00 - .639.00
[9]	OUTPUT AMPLIFIER BOARD	1.777.640.00
[10]	MIC LINE SWITCH BOARD (Option)	1.777.520.00
[11]	SWITCH BOARD	1.777.462.00
[12]	KEYBOARD	1.777.450.00
[13]	VU-PEAK BOARD	1.777.460.00
[14]	CONNECTION BOARD	1.777.441.00
[15]	TACHO BOARD	1.777.250.00
[16]	CAPSTAN SERVO BOARD	1.777.410.20
	- FAST START BOARD	1.777.414.00
[17]	CONTROL BOARD	1.777.400.22
[18]	AUDIO BASIS BOARD	1.777.500.81

LOCATION OF JUMPERS AND ADJUSTING ELEMENTS



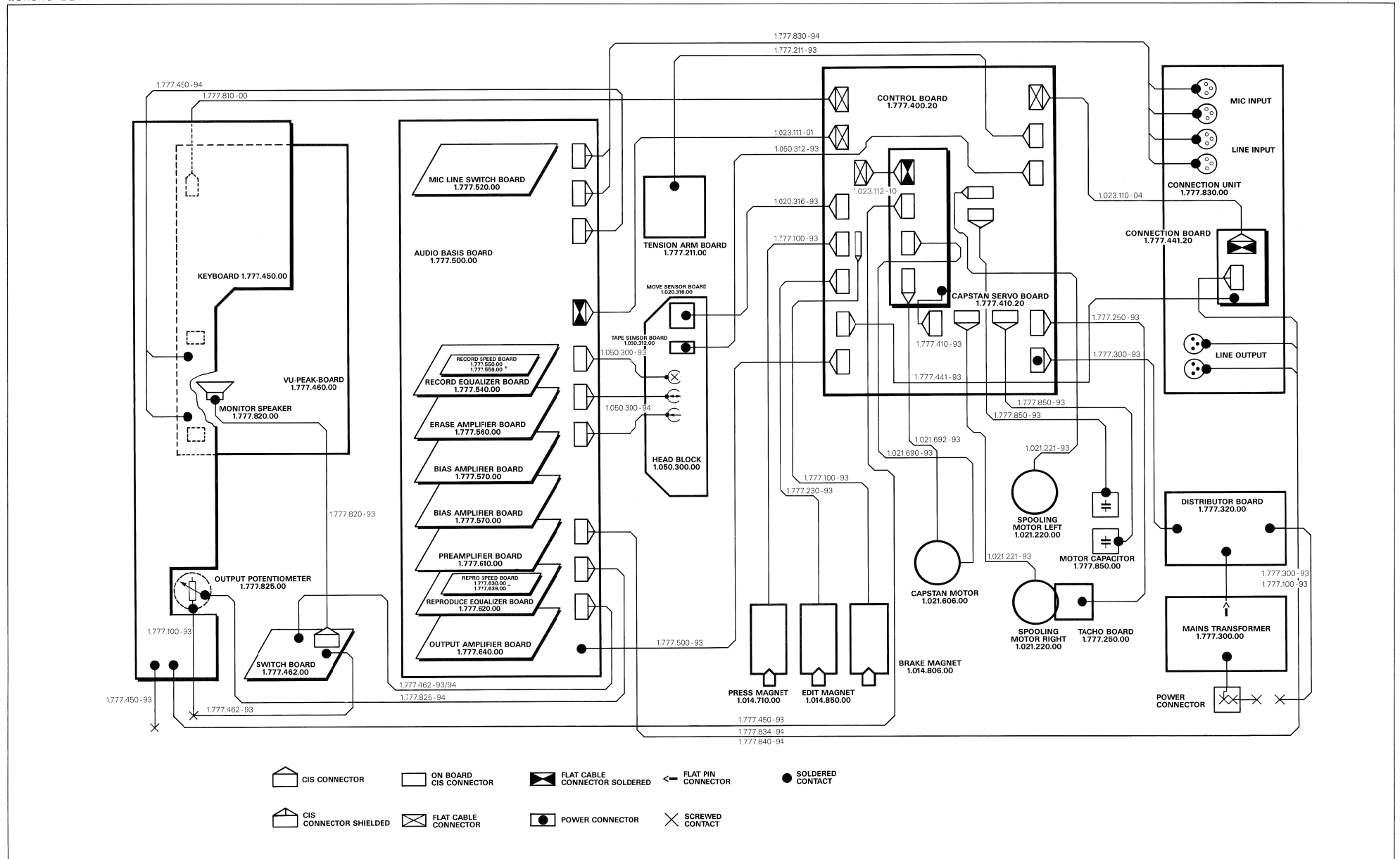
FRONT VIEW 1.777.500.00
(WITH UNITS)

VU-PEAK BOARD ADJUSTING ELEMENTS

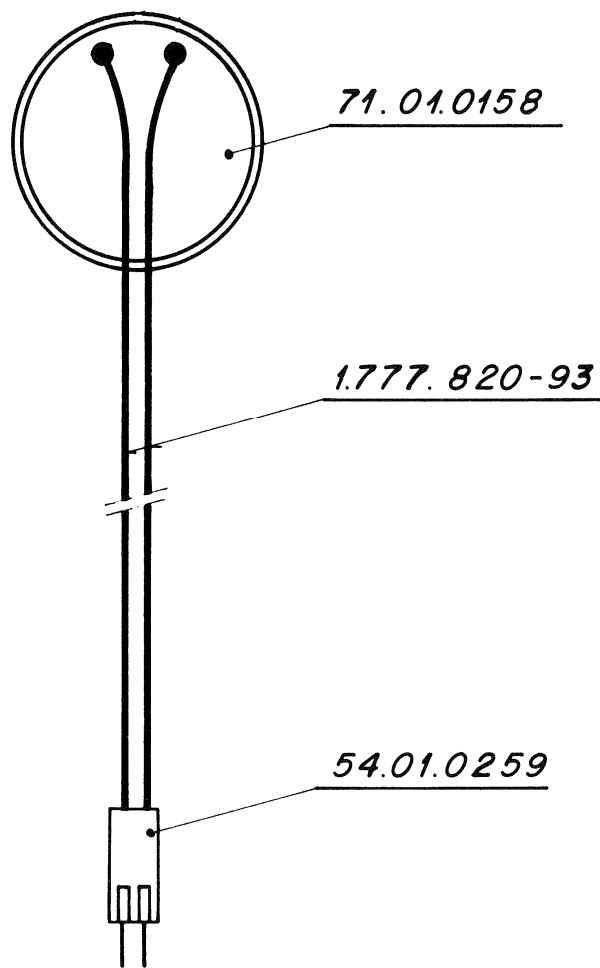


FRONT PANEL, BACK SIDE

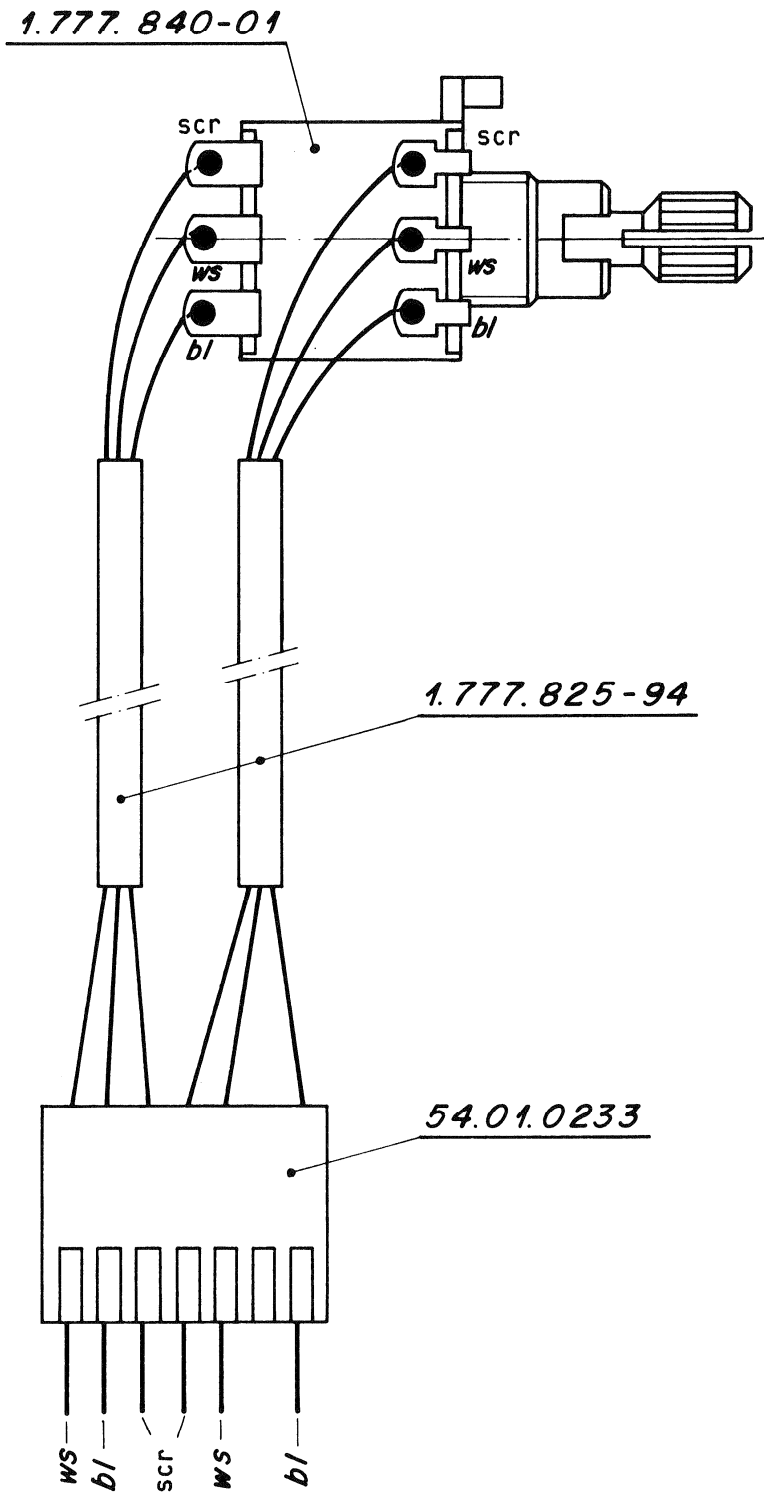
WIRING BLOCK DIAGRAM



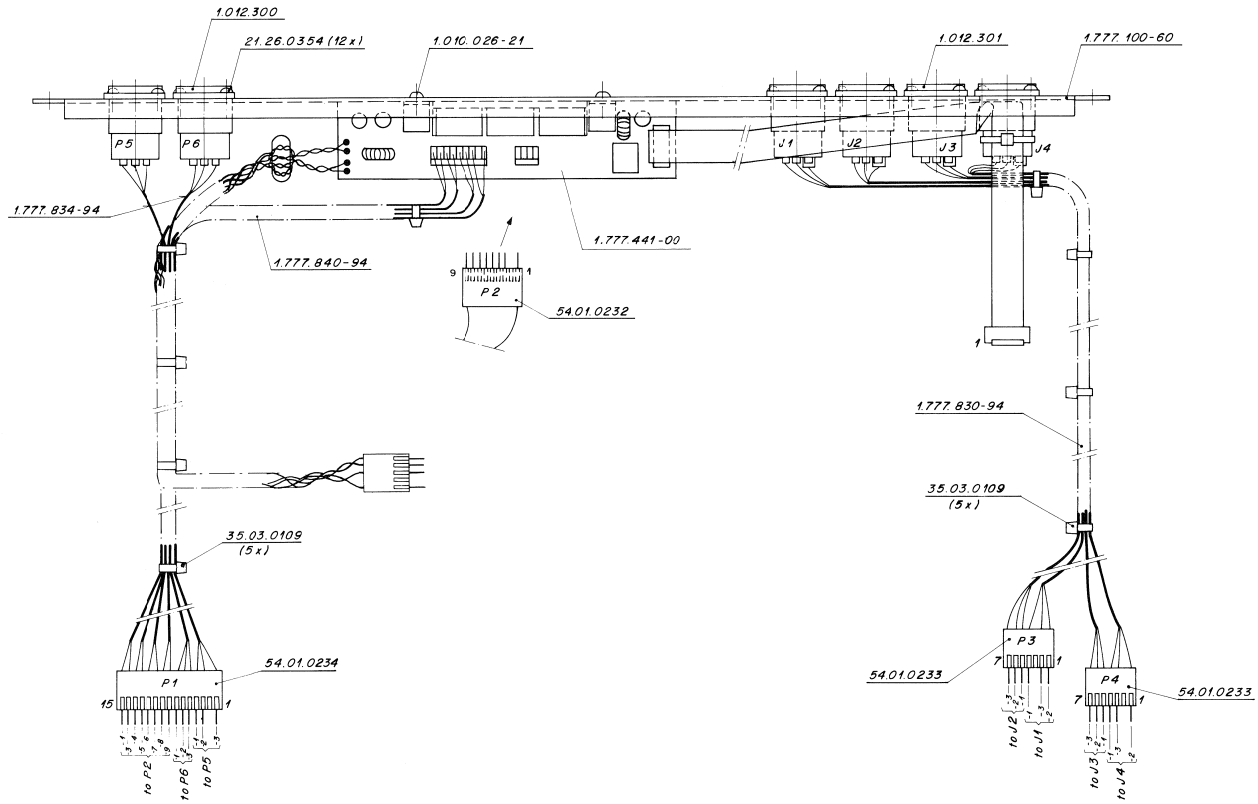
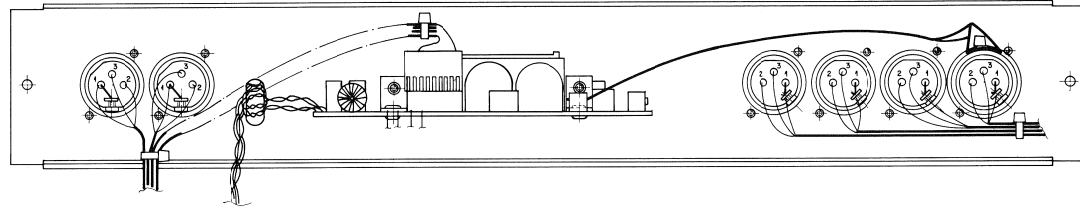
WIRE HARNESS MONITOR 1.777.820.00



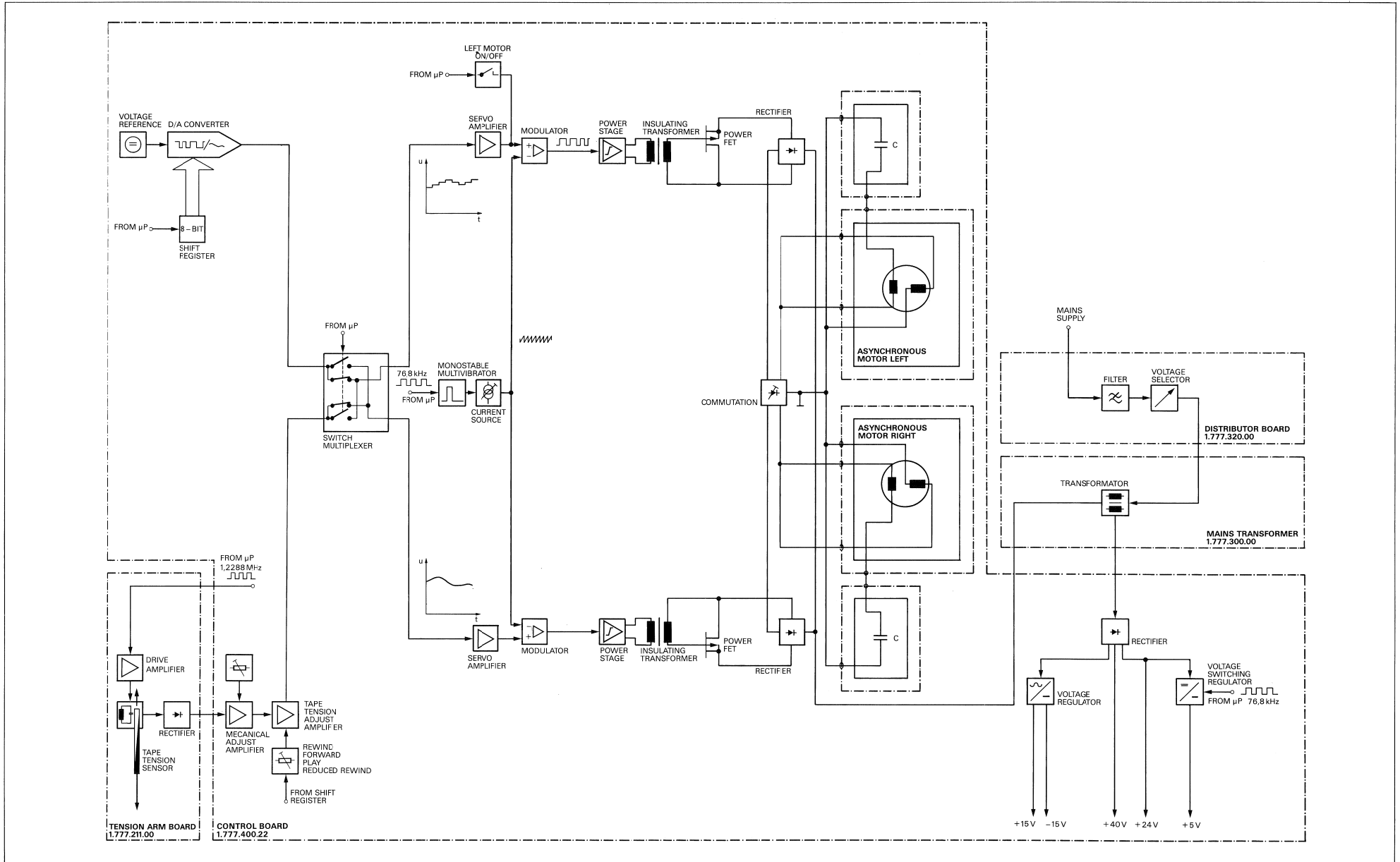
LINE POTMETER OUTPUT 1.777.825.00



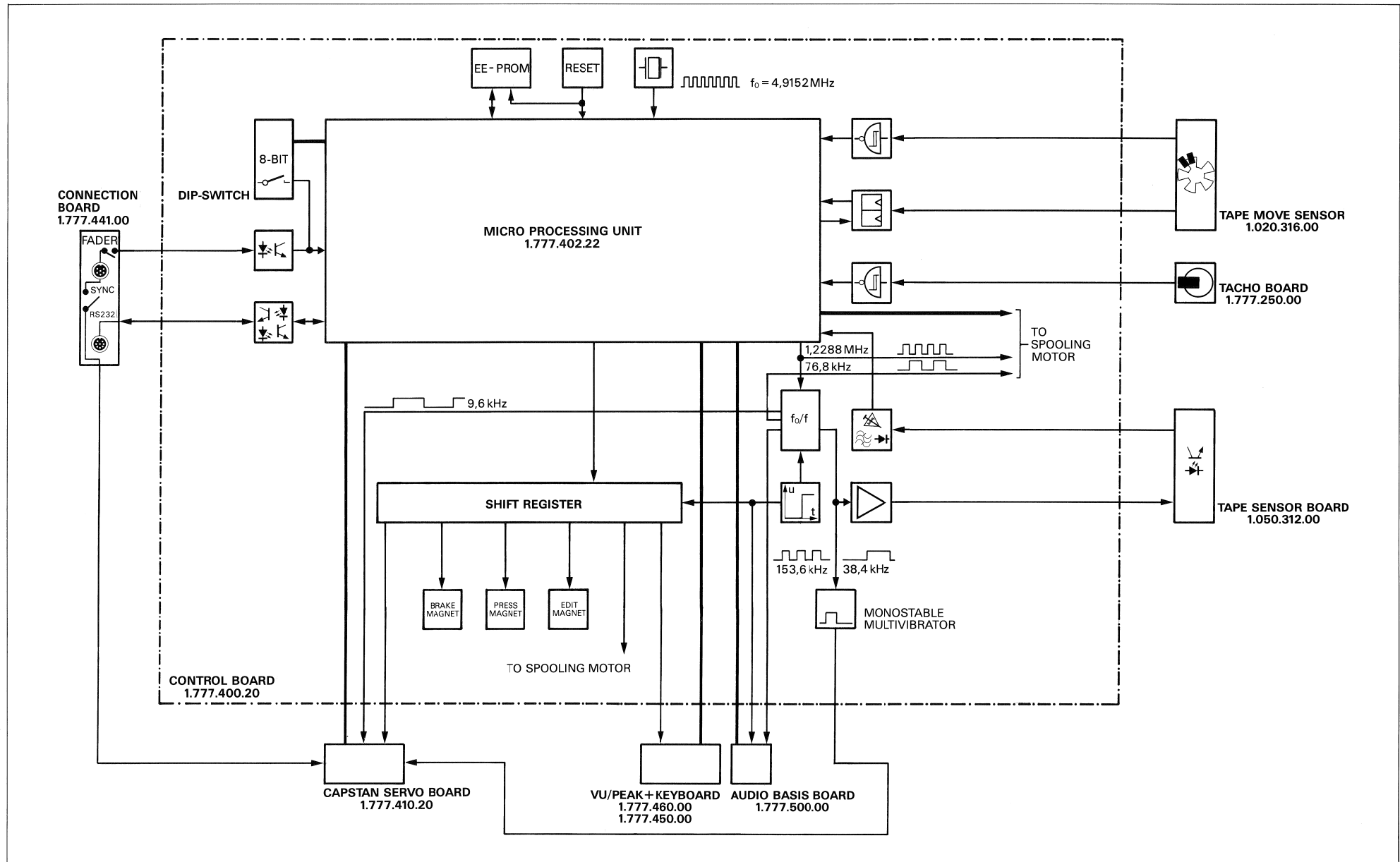
CONNECTION UNIT 1.777.830.00



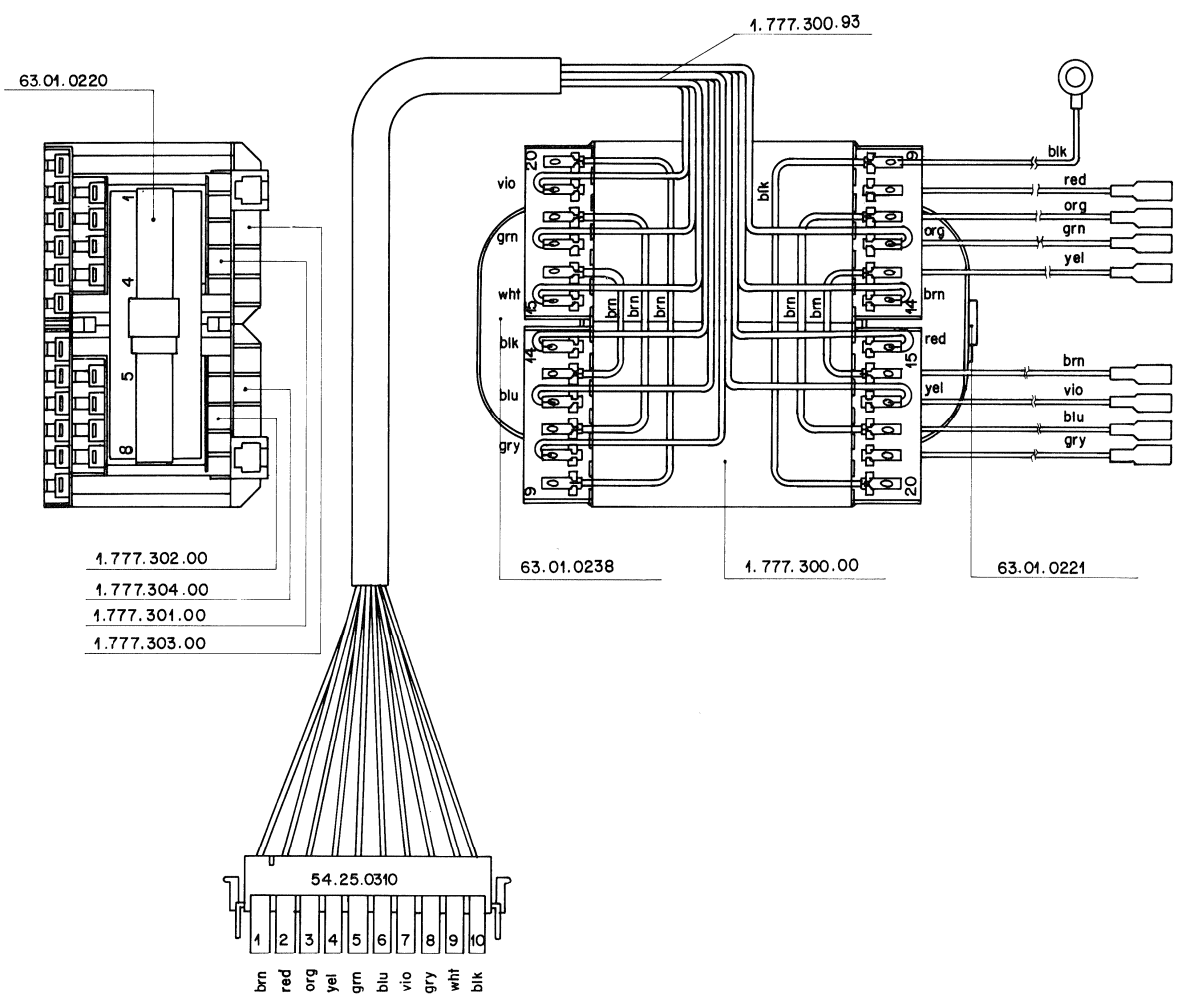
SPOOLING SERVO BLOCK DIAGRAM



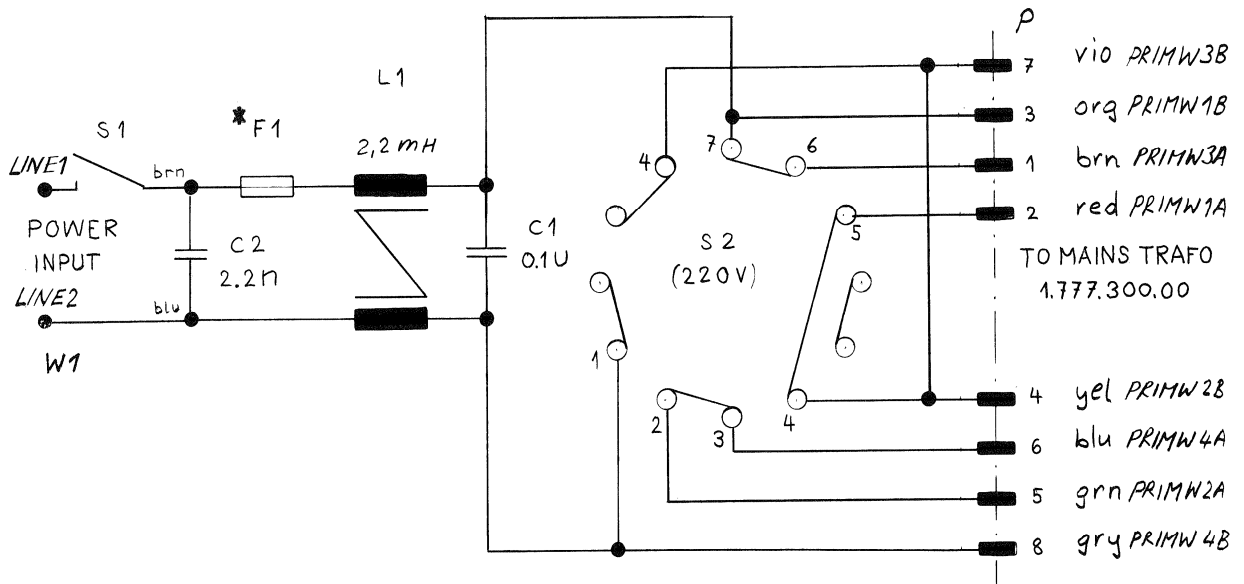
CPU BLOCK DIAGRAM



MAINS TRANSFORMER 1.777.300.00



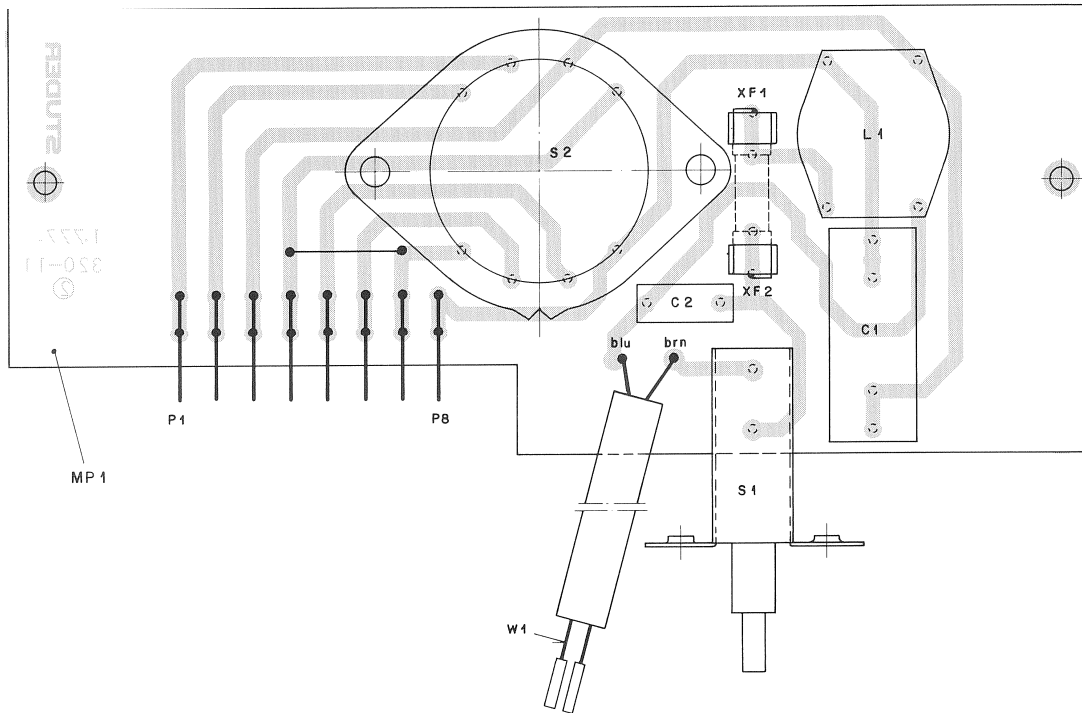
DISTRIBUTOR BOARD 1.777.320.00



*Power fuse (F1)
 100...140V: T 2,5 A / 250V (slow)
 200...240V: T 1,25A / 250V (slow)

08.1.87							
C270							PAGE 1 OF 1
STUDER			DISTRIBUTOR BOARD				SC 1.777.320.00

DISTRIBUTOR BOARD 1.777.320.00



IND.	POS.-NO.	PART NO.	VALUE	SPECIFICATIONS / EQUIVALENT	MANUF.
		C..0001	59.14.0104	.1 U	Ri
		C..0002	59.14.0222	2200 P	Ri
		L..0001	62.03.0100	2e2.2mH	Sie+Tokin
(00)		MP.0001	1.777.320.11	DISTRIBUTOR PCB	St
(01)		MP.0001	1.777.320.11	DISTRIBUTOR PCB - (1)	St
(02)		MP.0001	1.777.320.12	DISTRIBUTOR PCB - (1)	St
		P..0001	54.02.0328	2.8*0.8	St
		P..0002	54.02.0328	2.8*0.8	St
		P..0003	54.02.0328	2.8*0.8	St
		P..0004	54.02.0328	2.8*0.8	St
		P..0005	54.02.0328	2.8*0.8	St
		P..0006	54.02.0328	2.8*0.8	St
		P..0007	54.02.0328	2.8*0.8	St
		P..0008	54.02.0328	2.8*0.8	St
		S..0001	55.33.0286	- 240V	Alps
		S..0002	53.03.0131	- 240V	Teckentrup
		XF.0001	53.33.0142	5 P 20	St
		XF.0002	53.33.0142	5 P 20	St
		W..0001	1.777.320.93	HL-DISTRIBUTOR BOARD	St

(01) 14.01.87 Value adjust
 (02) 18.05.88 PCB revise

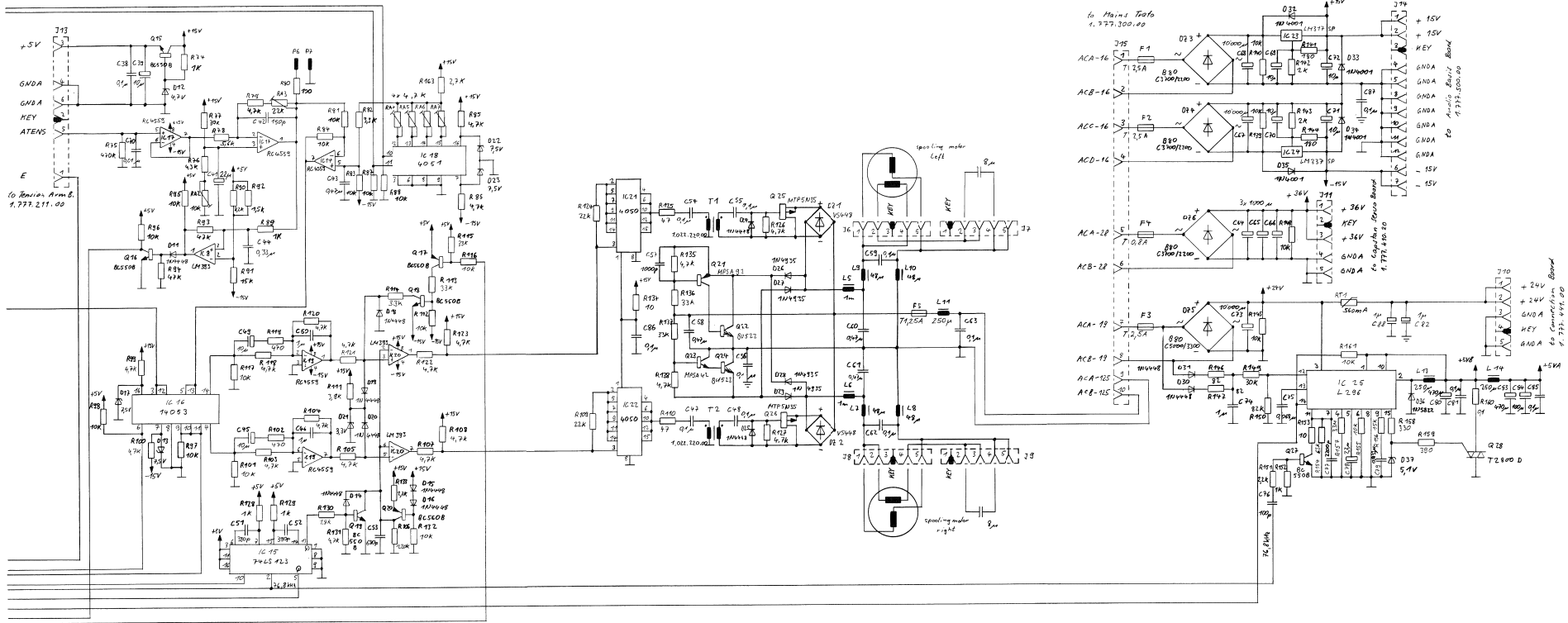
MANUFACTURER: Ri=Rifa, Alps=Alps, Teckentrup=Teckentrup, KG=Studer, Sie=Siemens

ORIG 86/09/19 (01) 87/01/14 (02) 88/05/18

STUDER (02) 88/05/18 DISTRIBUTOR BOARD PL 1.777.320.00 PAGE 1

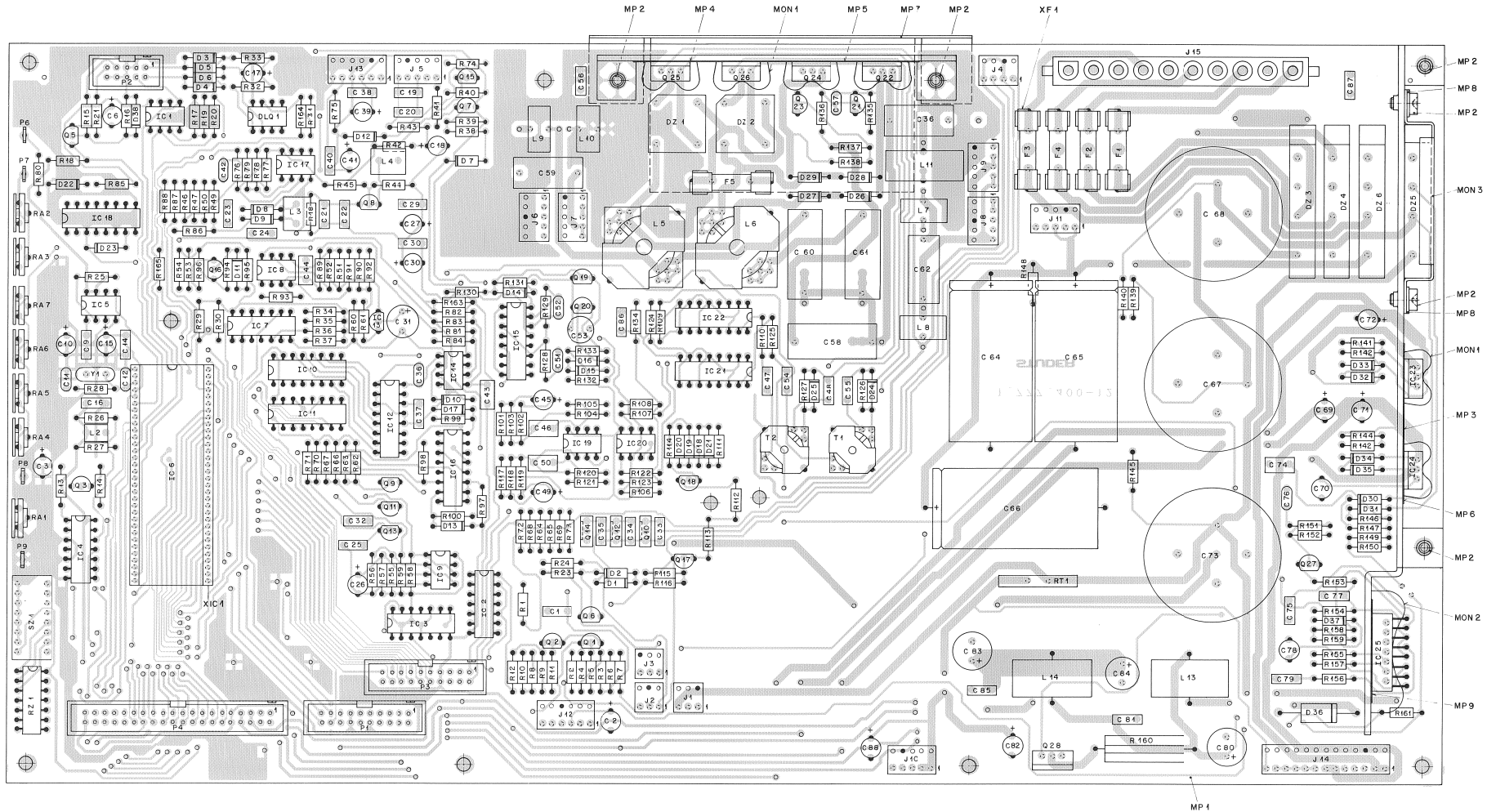


CONTROL BOARD 1.777.400.22



02242.87	STUDER	C270	PAGE 6 OF 6
STUDER		CONTROL BOARD	SC 1.777.400.22

CONTROL BOARD 1.777.400.22





CONTROL BOARD 1.777.400.22

Table with 6 columns: IND., POS.ND., PART NO., VALUE, SPECIFICATIONS / EQUIVALENT, MANUF. Contains component data for the control board.

S T U D E R (00) 87/12/22 CONTROL BOARD A 1.777.400.22 PAGE 1 S T U D E R (01) 87/12/22 CONTROL BOARD A 1.777.400.22 PAGE 4

Table with 6 columns: IND., POS.ND., PART NO., VALUE, SPECIFICATIONS / EQUIVALENT, MANUF. Contains component data for the control board.

S T U D E R (07) 87/12/22 CONTROL BOARD A 1.777.400.22 PAGE 2 S T U D E R (03) 87/12/22 CONTROL BOARD A 1.777.400.22 PAGE 5

Table with 6 columns: IND., POS.ND., PART NO., VALUE, SPECIFICATIONS / EQUIVALENT, MANUF. Contains component data for the control board.

S T U D E R (00) 87/12/22 CONTROL BOARD A 1.777.400.22 PAGE 3 S T U D E R (00) 87/12/22 CONTROL BOARD A 1.777.400.22 PAGE 6

Table with 6 columns: IND., POS.ND., PART NO., VALUE, SPECIFICATIONS / EQUIVALENT, MANUF. Contains component data for the control board.

S T U D E R (00) 87/12/22 CONTROL BOARD A 1.777.400.22 PAGE 7 S T U D E R (03) 87/12/22 CONTROL BOARD A 1.777.400.22 PAGE 10

Table with 6 columns: IND., POS.ND., PART NO., VALUE, SPECIFICATIONS / EQUIVALENT, MANUF. Contains component data for the control board.

S T U D E R (00) 87/12/22 CONTROL BOARD A 1.777.400.22 PAGE 8 S T U D E R (00) 87/12/22 CONTROL BOARD A 1.777.400.22 PAGE 11

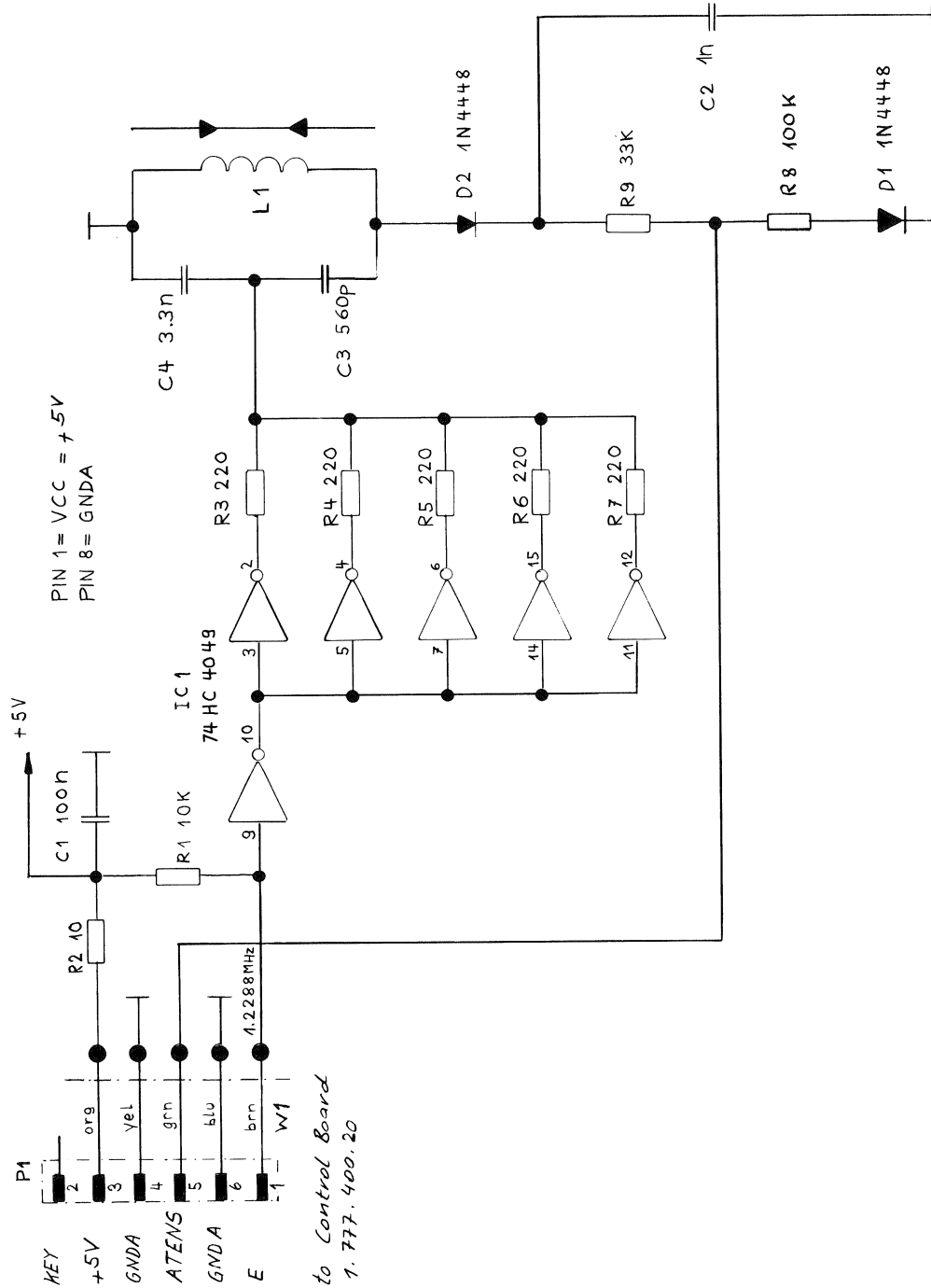
Table with 6 columns: IND., POS.ND., PART NO., VALUE, SPECIFICATIONS / EQUIVALENT, MANUF. Contains component data for the control board.

S T U D E R (00) 87/12/22 CONTROL BOARD A 1.777.400.22 PAGE 9 S T U D E R (00) 87/12/22 CONTROL BOARD A 1.777.400.22 PAGE 12

MANUFACTURERS: AMP=AMP Incorporated; ADI=Analog Devices Inc.; Bq=Berg; Bv=Burda; C=Chiffra; Cc=Chiffra; G=General Instruments; I=International Rectifier; IT=Intermetec; L=Logan; Me=Motorola; MFS=Micro Power Systems; S=Staubli; S=Siemens Corporation of America; S=Siemens; P=Philips; Q=Quartz; Agv=Sanatronics; SGG=SGS/Atates; TI=Texas Instruments; Vi=Vaiacnic.



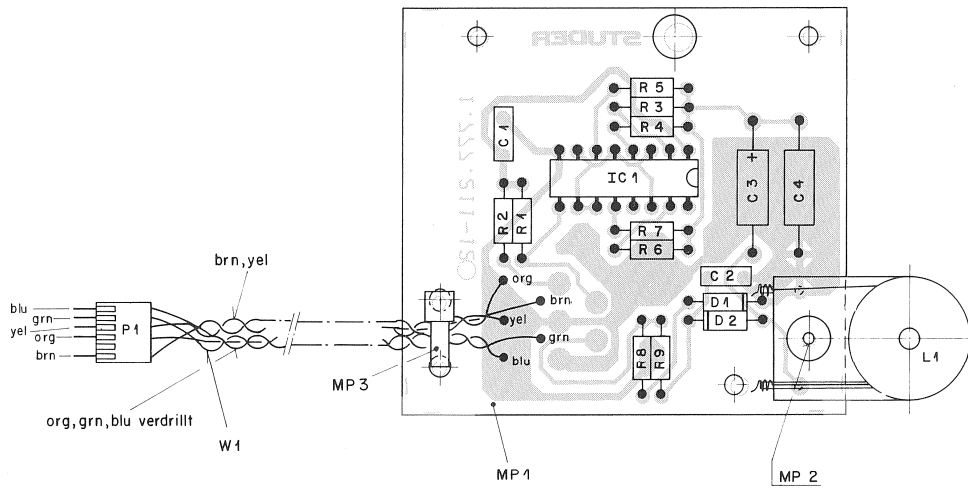
TENSION ARM BOARD 1.777.211.00



① 8.1.87	① 12.8.87 J. M. E.	○ ..	○ ..	○ ..
C270			PAGE 1 OF 1	
STUDER	TENSION ARM BOARD	"ESE"	SC	1.777.211.00



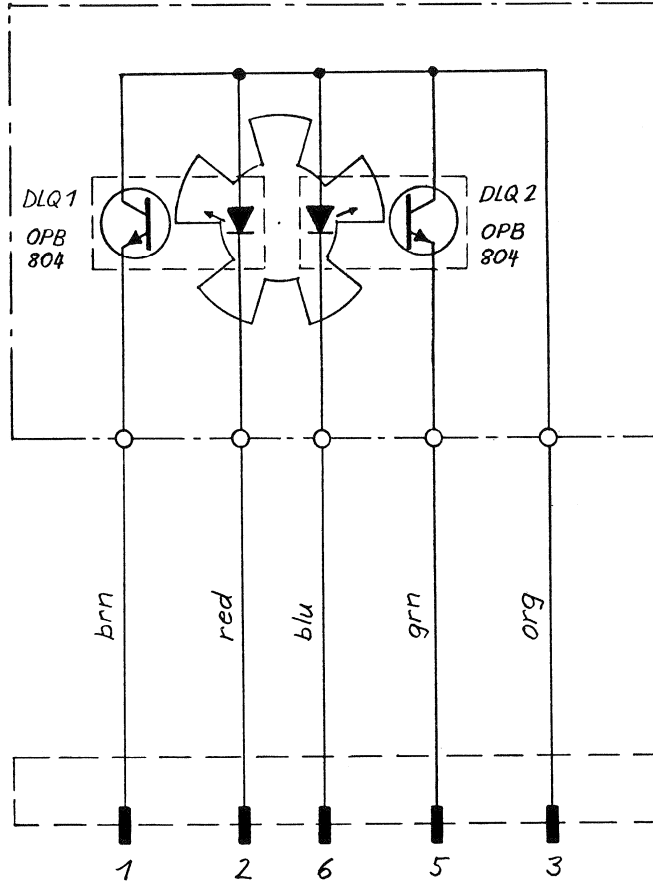
TENSION ARM BOARD 1.777.211.00



IND.	POS.NO.	PART NO.	VALUE	SPECIFICATIONS / EQUIVALENT	MANUF.
		C..0001	59.06.0104	.1 U	10%, 63V, PETP
		C..0002	59.06.0102	1000 P	10%, 63V, PETP
(00)		C..0003	59.12.7671	470 P	1%, 63V, PS
(01)		C..0003	59.12.7561	560 P	1%, 63V, PS
		C..0004	59.12.7332	3300 P	1%, 63V, PS
		D..0001	50.04.0125	IN 4448, S1	ITT+Phy Ses+TI
		D..0002	50.04.0125	IN 4448, S1	ITT+Phy Ses+TI
		IC..0001	50.17.4049	MC 74HC 4049N	TI, Mot, NS
		L..0001	1.777.212.00	COIL	St
(00)		MP..0001	1.777.211.11	TENSION ARM PCB	St
(01)		MP..0001	1.777.211.11	TENSION ARM PCB (-1)	St
(02)		MP..0001	1.777.211.12	TENSION ARM PCB	St
		MP..0002	28.21.2510	TUBULAR RIVET, DIN	St
		MP..0003	35.03.0109	CLAMPING BELT	Burndy, Panduit
		P..0001	56.01.0230	6 POL. CASING CIS	AMP
		R..0001	57.11.4103	10 K	2%, 0207, MF
		R..0002	57.11.4100	10	2%, 0207, MF
		R..0003	57.11.4221	220	2%, 0207, MF
		R..0004	57.11.4221	220	2%, 0207, MF
		R..0005	57.11.4221	220	2%, 0207, MF
		R..0006	57.11.4221	220	2%, 0207, MF
		R..0007	57.11.4221	220	2%, 0207, MF
		R..0008	57.11.4104	100 K	2%, 0207, MF
		R..0009	57.11.4333	33 K	2%, 0207, MF
		W..0001	1.777.211.93	WL-TENSION ARM BOARD	St

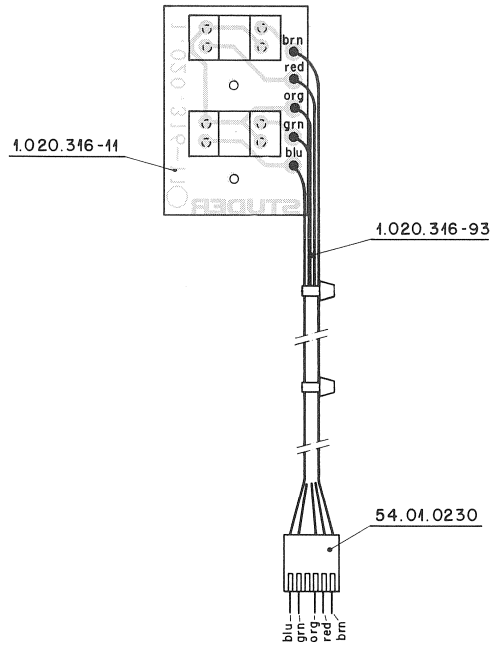
IND.	POS.NO.	PART NO.	VALUE	SPECIFICATIONS / EQUIVALENT	MANUF.
		(01)	12.08.87	Value adjust	
		(02)	15.11.87	PCB Revise	
MANUFACTURER: Mot=Motorola, NS=National Semiconductors, Ph=Philips St=Studer, TI=Texas Instruments, AMP=AMP Incorporated ITT=Intemetal, Ses=Sesosem					

TAPE MOVE SENSOR PCB 1.020.316.00



① 10.7.85 Rec	○ ..	○ ..	○ ..	○ ..
	PR 99 MK II			PAGE 1 OF 1
STUDER	TAPE MOVE SENSOR PCB			1.020.316-00

TAPE MOVE SENSOR PCB 1.020.316.00



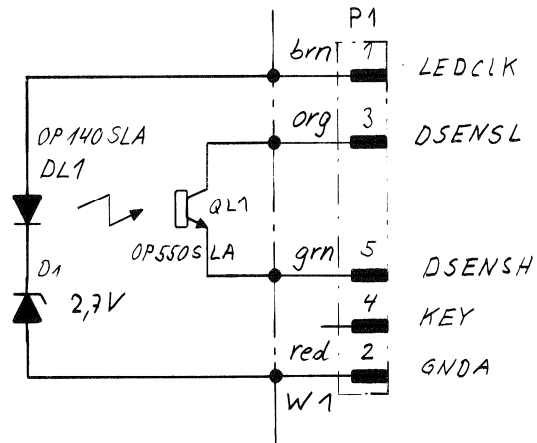
IND.	POS.ND.	PART ND.	VALUE	SPECIFICATIONS / EQUIVALENT	MANUF.
	DLQ...1	50.04.2128	OPB 804	Slotted Optical Switch	Op
	DLQ...2	50.04.2128	OPB 804	Slotted Optical Switch	Op

MANUFACTURER: Op = Optron

ORIG 85/07/10

S T U D E R (00) 85/07/10 Rec TAPE MOVE SENSOR PCB 1.020.316.00 PAGE 1

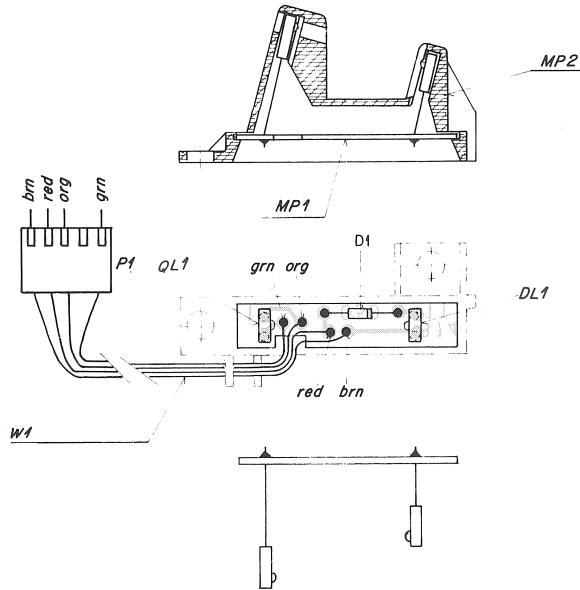
TAPE SENSOR BOARD 1.050.312.00



*to Control Board
1.777.400.20*

① 3.2.87 J.M.F.	○ ..	○ ..	○ ..	○ ..
	C270			PAGE 1 OF 1
STUDER	TAPE SENSOR BOARD	SC	1.050.312.00	

TAPE SENSOR BOARD 1.050.312.00



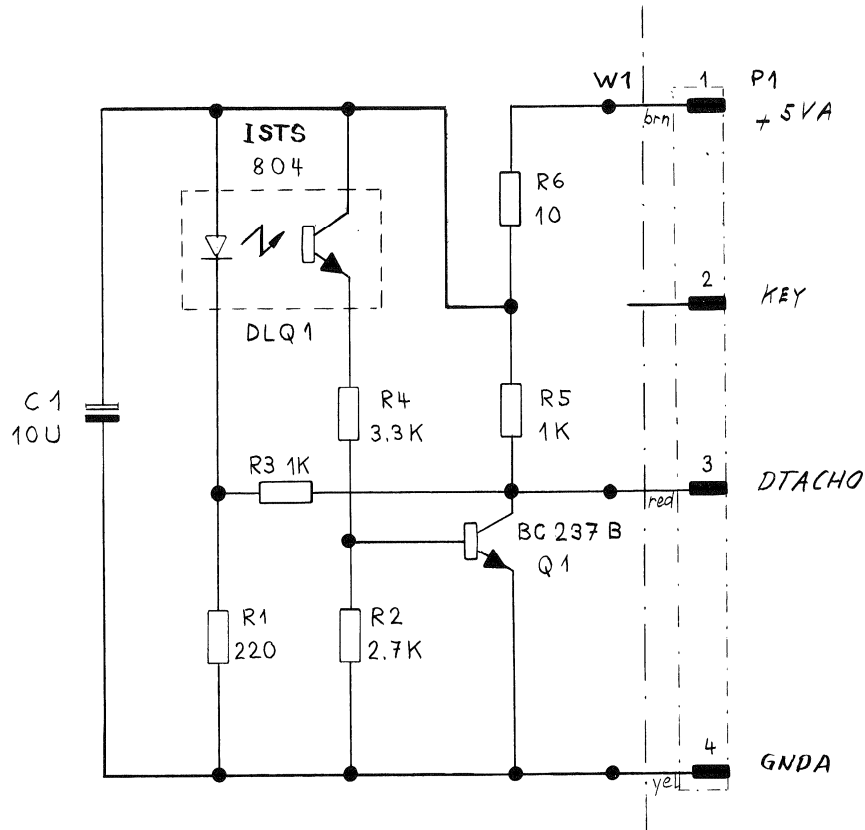
IND.	PDS-NO.	PART NO.	VALUE	SPECIFICATIONS / EQUIVALENT	MANUF.
D.	0001	50.04.1106	2.7 V	Z, 5 Z, *4W, Z	Ph, Mot, ITT
DL	0001	50.04.2126		OP 140 SLA	OP
MP	0001	1.050.314.11		TAPE SENSOR PCB	St
MP	0002	1.050.312.01		CASE	St
P.	0001	50.01.0264	5PDL	CASING	AMP
QL	0001	50.04.2127		OP 550 SLA	OP
W.	0001	1.050.312.93		WL-TAPE SENSOR	St

MANUFACTURER: Mot=Motorola, OP=Optron, ITT=Intermetall, Ph=Phillips
St=Studer

ORIG 86/09/19

STUDER (00) 86/09/19 TAPE SENSOR BOARD 1.050.312.00 PAGE 1

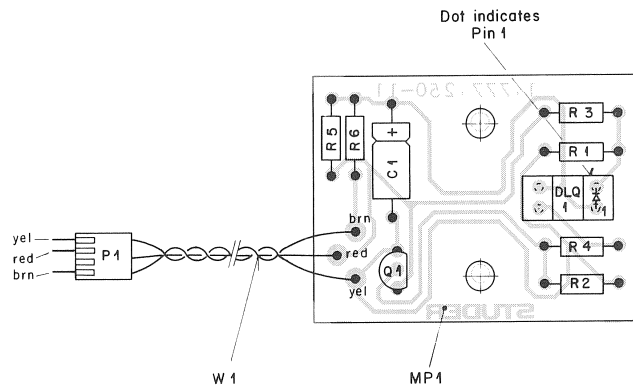
TACHO BOARD 1.777.250.00



*to Control Board
1.777.400-20*

① 8.1.87 <i>4</i>	○ ..	○ ..	○ ..	○ ..
	C 270			PAGE 1 OF 1
STUDER	TACHO BOARD	SC	1.777.250.00	

TACHO BOARD 1.777.250.00



IND.	POS. NO.	PART NO.	VALUE	SPECIFICATIONS / EQUIVALENT	MANUF.
(00)	C..0001	59.22.6100	10 U	-20%, 40V, EL	
(01)	C..0001	59.25.4100	10 U	-20%, 25V, EL	
(00)	DL0001	50.04.2128		ISTS 804	Op+Gi+Isocom
(01)	DL0001	50.04.3001		ISTS 804	Op+Gi+Isocom
	MP.0001	1.777.250.11		TACHO-PCB	St
	P..0001	56.01.0280	4 PDL.	CASING CIS	AMP
	Q..0001	50.03.0436		BC 237 B +A	ITT, TI, Ph, Mot
	R..0001	57.11.4221	220	2%, 0207, MF	
	R..0002	57.11.4272	2.7 K	2%, 0207, MF	
	R..0003	57.11.4102	1 K	2%, 0207, MF	
	R..0004	57.11.4332	3.3 K	2%, 0207, MF	
	R..0005	57.11.4102	1 K	2%, 0207, MF	
	R..0006	57.11.4100	10	2%, 0207, MF	
	W..0001	1.777.250.93		WL-TACHO BOARD	St

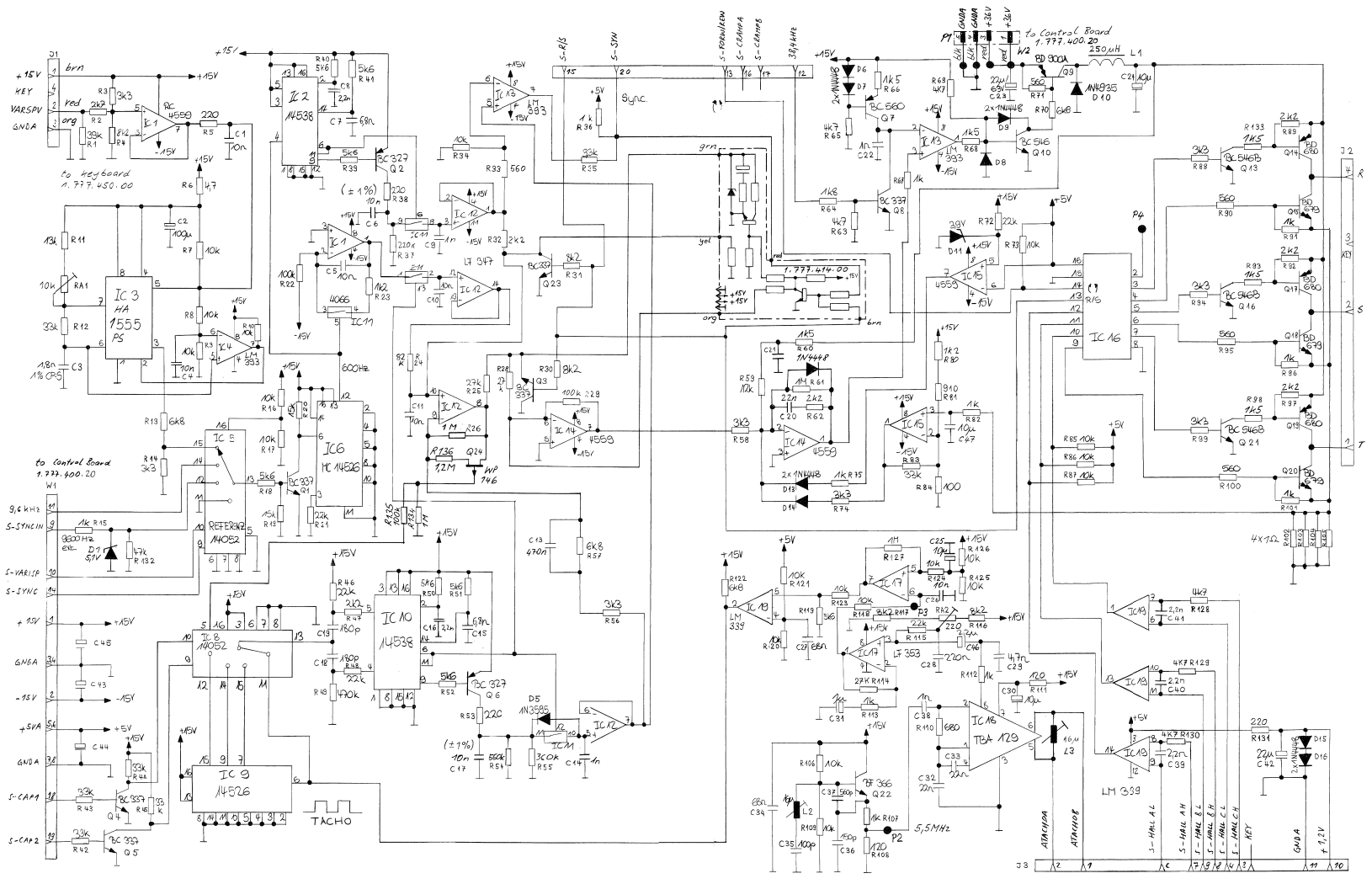
(01) 12.08.87 PARTNUMBER CHANGE

MANUFACTURER: Mo=Motorola, ITT=Intermetall, Ph=Phillips, Op=Optron, St=Studer, Ti=Texas Instruments, Gi=General Instruments, AMP=AMP Incorporated.

ORIG 86/09/19 (01) 87/08/12

STUDER (01) 87/08/12 TACHO BOARD 1.777.250.00 PAGE 1

CAPSTAN SERVO BOARD 1.777.410.21



CAPSTAN SERVO BOARD 1.777.410.21

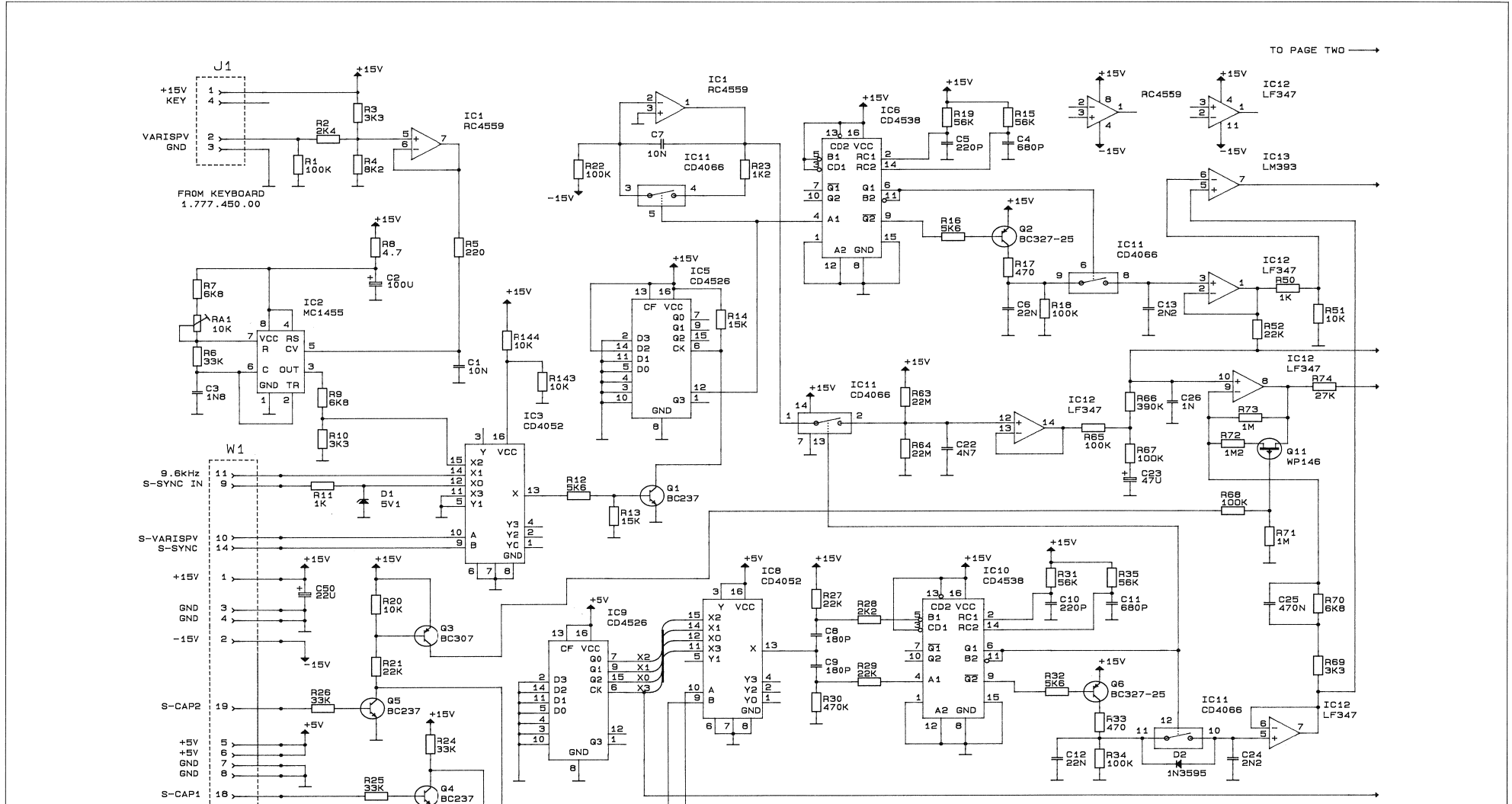


IND.	POS.-NO.	PART NO.	VALUE	SPECIFICATIONS / EQUIVALENT	MANUF.
C..0001	59.06.5103	+01 U	5%	63W P/ETP	
C..0002	59.22.5101	100 U	-20%	25V EL	
C..0003	59.11.2182	2800 P	1%	63W PE	
C..0004	59.06.5103	+01 U	5%	63W P/ETP	
C..0005	59.06.5222	+01 U	5%	63W P/ETP	
C..0006	59.06.5103	+01 U	5%	63W P/ETP	
C..0007	59.06.5882	8000 P	5%	63W P/ETP	
C..0008	59.06.5222	2200 P	5%	63W P/ETP	
C..0009	59.06.5102	1000 P	5%	63W P/ETP	
C..0010	59.06.5103	+01 U	5%	63W P/ETP	
C..0011	59.06.5103	+01 U	5%	63W P/ETP	
C..0012	59.06.5103	+01 U	not connected		
C..0013	59.06.5876	+41 U	5%	63W P/ETP	
C..0014	59.06.5102	1000 P	5%	63W P/ETP	
C..0015	59.06.5882	8000 P	5%	63W P/ETP	
C..0016	59.06.5222	2200 P	5%	63W P/ETP	
C..0017	59.06.5103	+01 U	5%	63W P/ETP	
C..0018	59.06.5181	180 P	5%	N750 CER	
C..0019	59.34.4181	180 P	5%	N750 CER	
C..0020	59.06.5223	+02 U	5%	63W P/ETP	
C..0021	59.06.5102	1000 P	not connected		
C..0022	59.06.5102	1000 P	5%	63W P/ETP	
C..0023	59.22.8220	22 U	-20%	63V EL	
C..0024	59.22.8100	10 U	-20%	63V EL	
C..0025	59.22.6100	10 U	-20%	63V EL	
C..0026	59.06.5103	+01 U	5%	63W P/ETP	
C..0027	59.06.5883	8000 P	5%	63W P/ETP	
C..0028	59.06.5224	2220 U	5%	63W P/ETP	
C..0029	59.06.5872	4700 P	5%	63W P/ETP	
C..0030	59.22.8100	10 U	-20%	63V EL	
C..0031	59.22.8109	1 U	-20%	63V EL	
C..0032	59.06.5223	+02 U	5%	63W P/ETP	
C..0033	59.06.5223	+02 U	5%	63W P/ETP	
C..0034	59.06.5883	8000 P	5%	63W P/ETP	
C..0035	59.34.4181	180 P	5%	N750 CER	
C..0036	59.34.4181	180 P	5%	N750 CER	
C..0037	59.34.5561	560 P	5%	N4350 CER	

IND.	POS.-NO.	PART NO.	VALUE	SPECIFICATIONS / EQUIVALENT	MANUF.
C..0038	59.06.5102	1000 P	5%	63W P/ETP	
C..0039	59.06.5222	2.2 nF	10%	63V P/ETP	
C..0040	59.06.5222	2.2 nF	10%	63V P/ETP	
C..0041	59.06.5222	2.2 nF	10%	63V P/ETP	
C..0042	59.22.6220	22 U	-20%	63V EL	
C..0043			not connected		
C..0044			not connected		
C..0045			not connected		
C..0046	59.22.8220	2.2 U	-20%	63V EL	
C..0047	59.22.8220	10 U	-20%	63V EL	
D..0001	50.04.1112	5.1 V	5% 0.4A04. 2+	ITT, Mot	
D..0002			not connected		
D..0003			not connected		
D..0004			not connected		
D..0005	50.04.0334		LM 3595 DHD+; FDH 300	Fc, Sus	
D..0006	50.04.0325		LN 4448 SJ		
D..0007	50.04.0325		LN 4448 SJ		
D..0008	50.04.0325		LN 4448 SJ		
D..0009	50.04.0325		LN 4448 SJ		
D..0010	50.04.0325		LN 4448 SJ		
D..0011	50.04.1101	3.0 V	5% 0.4A04. 2+	ITT, Mot, Ph	
D..0012	50.04.0325		LN 4448 SJ		
D..0013	50.04.0325		LN 4448 SJ		
D..0014	50.04.0325		LN 4448 SJ		
D..0015	50.04.0325		LN 4448 SJ		
D..0016	50.04.0325		LN 4448 SJ		
IC..0001	50.09.0107		HE 4559 NB; UPC 4559	Raw, NEC	
IC..0002	50.07.1798		MCI 538 BCP; HEF 4538 DPxA	MOT, Ph	
IC..0003	50.05.0199		HA 5955 PS	Sig, Mot, Ph	
IC..0004	50.05.0288		LM 3085 P	TI, MOS	
IC..0005	50.07.0024		HE 4052 BCP; 4052 BCP	Mot, MOS	
IC..0006	50.07.0024		HE 4052 BCP; 4052 BCP	Mot, MOS	
IC..0007	50.07.0024		HE 4052 BCP; 4052 BCP	Mot, MOS	
IC..0008	50.07.0024		HE 4052 BCP; 4052 BCP	Mot, MOS	
IC..0009	50.07.0024		HE 4052 BCP; 4052 BCP	Mot, MOS	
IC..0010	50.07.0024		HE 4052 BCP; 4052 BCP	Mot, Ph	

IND.	POS.-NO.	PART NO.	VALUE	SPECIFICATIONS / EQUIVALENT	MANUF.
IC..0011	50.07.0066		4066 BCP; MCI4066 BCP	A	Ph, Mot
IC..0012	50.09.0104		LF 347 N	A	NS
IC..0013	50.05.0283		LM 3085 + TOR 0193 DP	A	TI, MOS
IC..0014	50.09.0107		RC 4559 NB; UPC 4559	A	Raw, NEC
IC..0015	50.09.0107		RC 4559 NB; UPC 4559	A	Raw, NEC
IC..0016	1.777.410.20		CAPSTAN COMMUTATOR LOGIC	A	TI, Ph
IC..0017	50.09.0101		TL 072 CP + LF 355 N	A	TI, Ph
IC..0018	50.11.0137		TBA 1259	A	Sic
IC..0019	50.11.0106		LM 339 N	A	N5f, Fc, Mot
J..0001	59.01.0241	4 PUL	STRIP C15		AMP
J..0002	59.01.0241	4 PUL	STRIP C15		AMP
J..0003	59.01.0291	11 PUL	STRIP C15		AMP
L..0001	82.03.0225	250 MH	Z 4 - FILTER		TokIn
L..0002	1.022.222.00	16 MH	HF-DROSSL		St
L..0003	1.022.222.00	16 MH	HF-DROSSL		St
P..0000	59.01.0294		CASING C15		St
P..0001	59.02.0320	5 PUL	TEST POINT		St
P..0002	59.02.0320		TEST POINT		St
P..0003	59.02.0320		TEST POINT		St
P..0004	59.02.0320		TEST POINT		St
MP..0001	1.777.410.11		CAPSTAN-SERVO PCB		St
MP..0002	1.777.9120		PAST START BOARD		St
Q..0000	50.03.0340		RC 337-25		ITT, Ph
Q..0001	50.03.0340		RC 337-25		St
Q..0002	50.03.0351		BC 327-25		St
Q..0003	50.03.0340		RC 337-25		St
Q..0004	50.03.0340		RC 337-25		St
Q..0005	50.03.0340		RC 337-25		St
Q..0006	50.03.0340		RC 337-25		St
Q..0007	50.03.0496		BC 360		A
Q..0008	50.03.0340		RC 337-25		St
Q..0009	50.03.0340		RC 337-25		St
Q..0010	50.03.0511		BD 900 A BDM 94 B		Sic
Q..0011	50.03.0601		RC 340 B		ITT, Ph, Mot, St
Q..0012	50.03.0601		RC 340 B		St

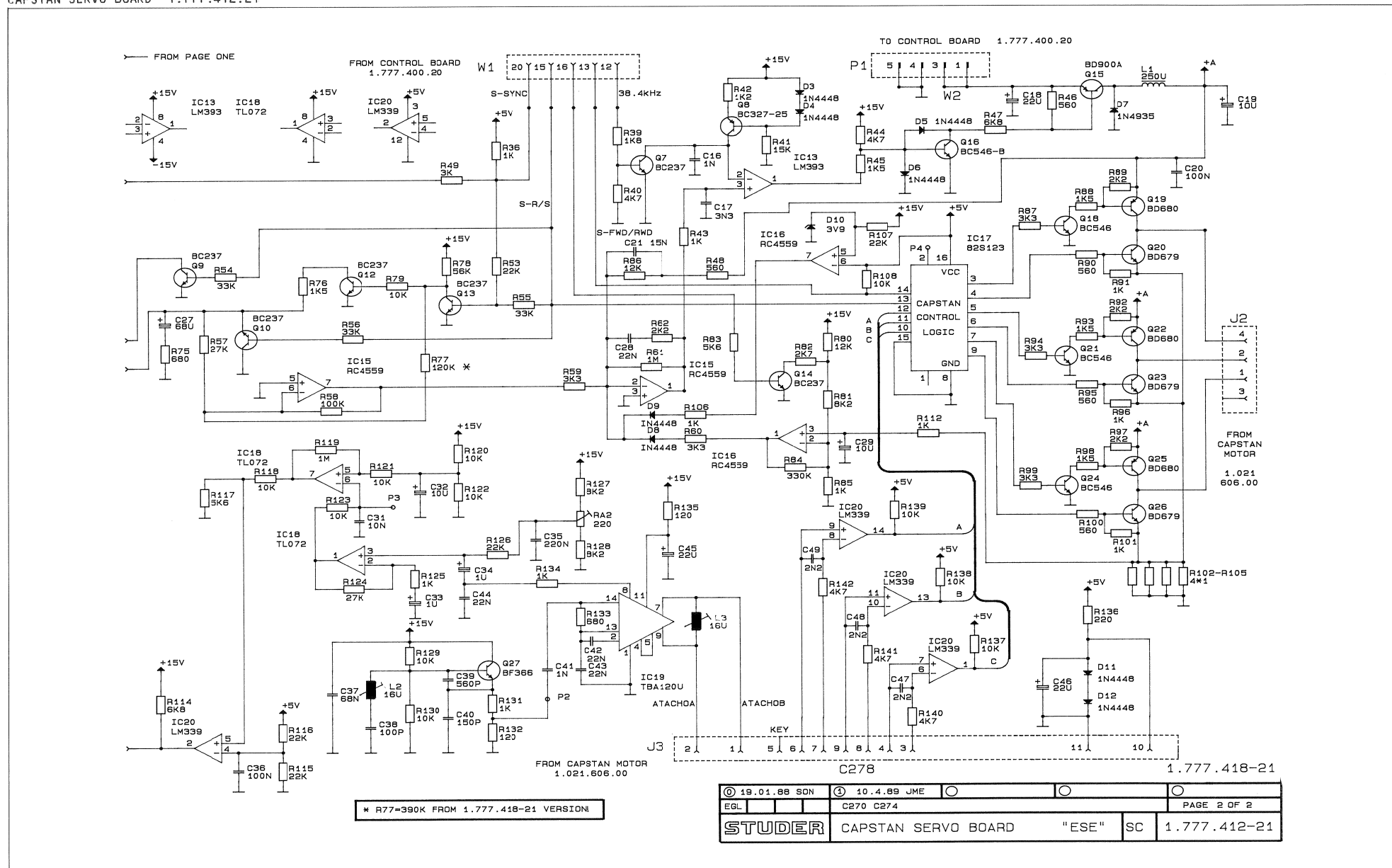
CAPSTAN SERVO BOARD 1.777.412.21



C278 1.777.418-21

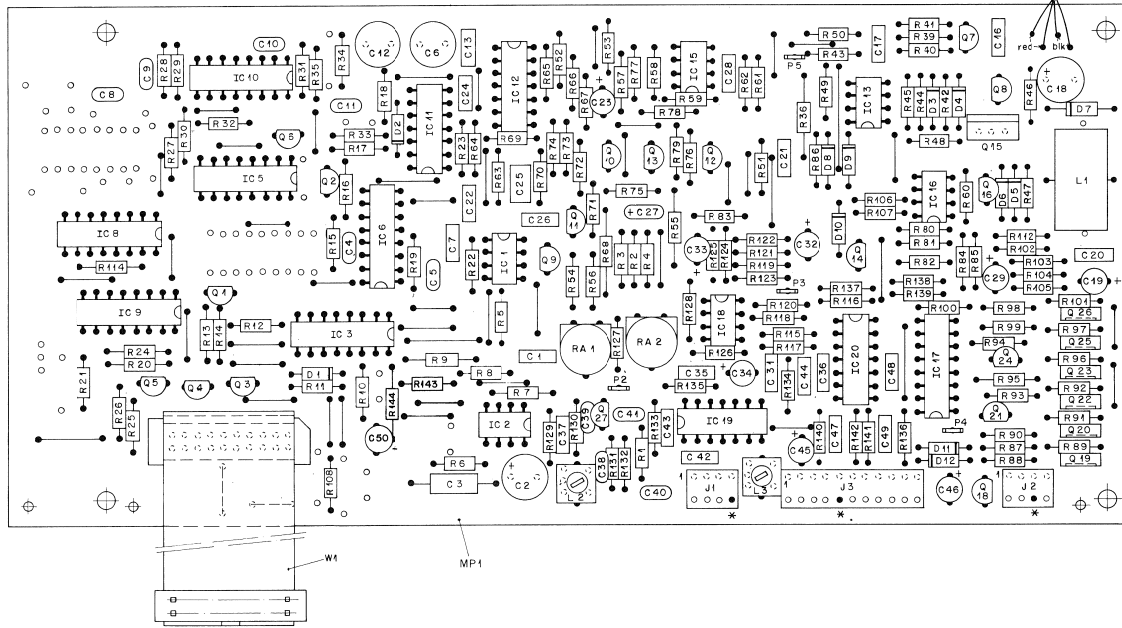
① 19.01.88 SDN	① 10.4.89 JME	○	○	○
EGL	C270 C274	PAGE 1 OF 2		
STUDER		CAPSTAN SERVO BOARD	"ESE"	SC 1.777.412-21

CAPSTAN SERVO BOARD 1.777.412.21



© 19.01.88 SON	© 10.4.89 JME			
EGL	C270 C274			PAGE 2 OF 2
STUDER		CAPSTAN SERVO BOARD		"ESE" SC 1.777.412-21

CAPSTAN SERVO BOARD 1.777.412.21



IND.	POS.NO.	PART NO.	VALUE	SPECIFICATIONS / EQUIVALENT	MANUF.
C.....1	59.28.0103	10 nF	10%, 63V	PE	
C.....2	59.22.0101	100 uF	-20%, 25V	EL	
C.....3	59.12.7382	1.8 nF	1%, 63V	PS	
C.....4	59.32.0881	680 pF	10%, 50V	CEP	
C.....5	59.34.4221	220 pF	5%, 63V	CEP	
C.....6	59.05.1223	22 nF	5%, 63V	PE	
C.....7	59.05.5101	10 nF	5%, 63V	PE	
C.....8	59.38.4181	180 pF	5%, 63V	CEP	
C.....9	59.34.4181	180 pF	5%, 63V	CEP	
C.....10	59.38.4221	220 pF	5%, 63V	CEP	
C.....11	59.32.2981	680 pF	10%, 50V	CEP	
C.....12	59.05.1223	22 nF	5%, 63V	PE	
C.....13	59.05.0222	2.2 nF	10%, 63V	PE	
C.....16	59.05.5102	1 nF	5%, 63V	PE	
C.....17	59.05.0332	3.3 nF	10%, 63V	PE	
C.....18	59.22.8220	22 uF	-20%, 35V	EL	
C.....19	59.22.8100	10 uF	-20%, 35V	EL	
C.....20	59.05.0104	100 nF	10%, 63V	PE	
C.....21	59.05.0153	15 nF	10%, 63V	PE	
C.....22	59.05.0222	2.2 nF	10%, 63V	PE	
C.....23	59.22.8470	47 uF	-20%, 10V	EL	
C.....24	59.05.0222	2.2 nF	10%, 63V	PE	
C.....25	59.05.5474	470 nF	5%, 63V	PE	
C.....26	59.05.0222	2.2 nF	10%, 63V	PE	
C.....27	59.25.0580	58 nF	20%, 63V	SAL	
C.....28	59.05.0222	2.2 nF	10%, 63V	PE	
C.....29	59.22.8103	10 uF	-20%, 35V	EL	
C.....31	59.05.0103	10 nF	10%, 63V	PE	
C.....32	59.22.8100	10 uF	-20%, 35V	EL	
C.....33	59.22.8109	1 uF	-20%, 63V	EL	
C.....34	59.22.8109	1 uF	-20%, 63V	EL	
C.....35	59.05.0104	100 nF	10%, 63V	PE	
C.....37	59.05.0103	10 nF	10%, 63V	PE	
C.....38	59.24.4101	100 pF	5%, 63V	CEP	
C.....39	59.24.5051	100 pF	5%, 63V	CEP	
C.....40	59.24.4151	150 pF	5%, 63V	CEP	

STUDER (01) 89/94/10 CAPSTAN-SERVO-BOARD A PL 1.777.412.21 PAGE 1

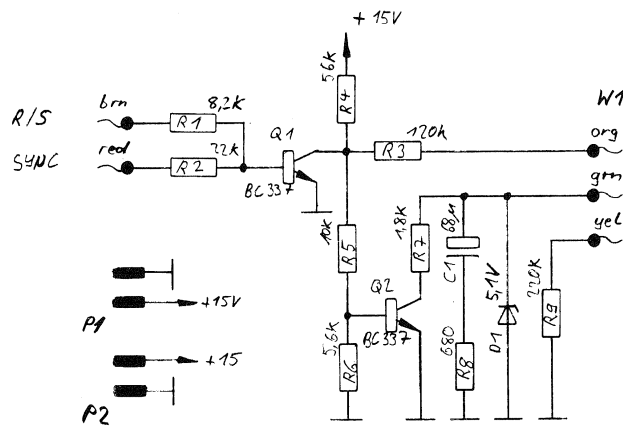
IND.	POS.NO.	PART NO.	VALUE	SPECIFICATIONS / EQUIVALENT	MANUF.
C.....41	59.32.4102	1 nF	20%, 63V	CEP	
C.....42	59.26.0223	22 nF	10%, 63V	PE	
C.....43	59.26.0223	22 nF	10%, 63V	PE	
C.....44	59.26.0223	22 nF	10%, 63V	PE	
(00)	IC.....5	59.22.8220	22 uF	-20%, 63V	EL
(01)	IC.....6	59.22.8220	22 uF	-20%, 35V	EL
(02)	IC.....7	59.22.8220	22 uF	-20%, 63V	EL
(03)	IC.....8	59.22.8220	22 uF	-20%, 35V	EL
(04)	IC.....9	59.22.8220	22 uF	-20%, 63V	EL
(05)	IC.....10	59.22.8220	22 uF	-20%, 35V	EL
(06)	IC.....11	59.22.8220	22 uF	-20%, 35V	EL
(07)	IC.....12	59.22.8220	22 uF	-20%, 35V	EL
D.....1	50.24.1112	5.1 V	10%, 0.5W		
D.....2	50.24.0134	1N 5999			
D.....3	50.24.0125	1N 4448			
D.....4	50.24.0125	1N 4448			
D.....5	50.24.0125	1N 4448			
D.....6	50.24.0125	1N 4448			
D.....7	50.24.0125	1N 4448			
D.....8	50.24.0125	1N 4448			
D.....9	50.24.0125	1N 4448			
D.....10	50.24.1101	3.9 V	10%, 0.5W		
D.....11	50.24.0125	1N 4448			
D.....12	50.24.0125	1N 4448			
IC.....1	50.29.0107	IC 4559	Dual Op. Amp	RevNEC	
IC.....2	50.27.0036	IC4 7505	CMOS	RevSII	MS
IC.....3	50.27.0024	MC 14052	Dual Op. Amp	RevNEC	MS
IC.....4	50.27.0024	MC 14052	Dual Op. Amp	RevSII	MS
IC.....5	50.27.0024	MC 14052	Dual Op. Amp	RevSII	MS
IC.....6	50.27.1538	MC 14533	CMOS	RevSII	MS
IC.....7	50.27.0024	MC 14052	Dual Op. Amp	RevSII	MS
IC.....8	50.27.0024	MC 14052	Dual Op. Amp	RevSII	MS
IC.....9	50.27.0024	MC 14052	Dual Op. Amp	RevSII	MS
IC.....10	50.27.1938	MC 14053	CMOS	RevSII	MS
IC.....11	50.27.0024	MC 14052	Dual Op. Amp	RevSII	MS
IC.....12	50.24.0125	1N 4448	Dual Op. Amp	RevSII	MS

STUDER (01) 89/94/10 CAPSTAN-SERVO-BOARD A PL 1.777.412.21 PAGE 2

IND.	POS.NO.	PART NO.	VALUE	SPECIFICATIONS / EQUIVALENT	MANUF.
IC.....13	50.29.0283	LM 339	Dual Comparator	RevNEC	
IC.....15	50.29.0107	IC 4559	Dual Op. Amp	RevNEC	
IC.....16	50.29.0107	IC 4559	Dual Op. Amp	RevNEC	
IC.....17	1.777.413.20		CAPSTAN-COMPARATOR LOGIC	RevSII	MS
IC.....18	50.29.0101	TL 072	Dual Op. Amp	RevSII	MS
IC.....19	50.11.0151	TBA 120 U	1K-Demodulator	RevSII	MS
IC.....25	50.11.0104	LM 339 N	Dual Comparator	RevSII	MS
J.....1	54.31.0241	4 pin	Strip CIS	AMP	
J.....2	54.31.0241	4 pin	Strip CIS	AMP	
J.....3	54.31.0241	11 pin	Strip CIS	AMP	
L.....1	82.33.0025	250 uH	2 A FILTER	Tokin	
L.....2	1.772.222.00	10 uH	HF-DROSSSEL		
L.....3	1.772.222.00	10 uH	HF-DROSSSEL		
MP.....1	1.777.413.11		CAPSTAN-SERVO PCB		
(01)	MP.....1	1.777.413.12	CAPSTAN-SERVO PCB		
P.....1	54.01.0204	5 pin	Casing CIS		
P.....2	54.32.0320		Test Point		
P.....3	54.32.0320		Test Point		
P.....4	54.32.0320		Test Point		
P.....5	54.32.0320		Test Point		
Q.....1	50.03.0436	HC 237-B	NPN		
Q.....2	50.03.0351	HC 327-25	PNP		
Q.....3	50.03.0351	HC 327-5	PNP		
Q.....4	50.03.0436	HC 237-B	NPN		
Q.....5	50.03.0436	HC 237-B	NPN		
Q.....6	50.03.0436	HC 237-B	NPN		
Q.....7	50.03.0436	HC 237-B	NPN		
Q.....8	50.03.0436	HC 237-B	NPN		
Q.....9	50.03.0436	HC 237-B	NPN		
Q.....10	50.03.0436	HC 237-B	NPN		
Q.....11	50.03.0319	4P 1466	DET		
Q.....12	50.03.0436	HC 237-B	NPN		

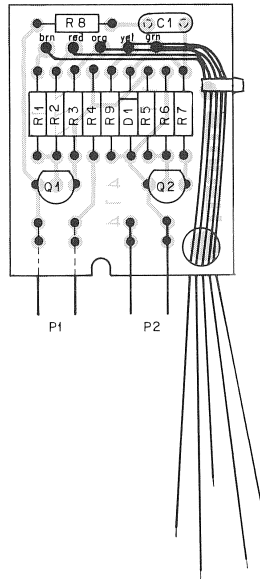
STUDER (01) 89/94/10 CAPSTAN-SERVO-BOARD A PL 1.777.412.21 PAGE 3

FAST START BOARD 1.777.414.00



© 259.87 B JMK	○ ..	○ ..	○ ..	○ ..
	C 270			PAGE 1 OF 1
STUDER	FAST START BOARD	SC	1.777.414.00	

FAST START BOARD 1.777.414.00



IND.	POS. NO.	PART NO.	VALUE	SPECIFICATIONS / EQUIVALENT	MANUF.
C..0001		59.26.0680	68 U	20%, 6.3V + SAL	
D..0001		50.04.1112	5.1 V	5%, +40W + Z+	
MP.0001		1.777.414.11		FAST START BOARD	
P..0001		54.01.0468	2 POL	STRIP CIS ANGLES	
P..0002		54.01.0468	2 POL	STRIP CIS ANGLES	
Q..0001		50.03.0340	BC 337-25		
Q..0002		50.03.0340	BC 337-25		
R..0001		57.11.4822	8.2 K	2%, 0207 + MF	
R..0002		57.11.4223	22 K	2%, 0207 + MF	
R..0003		57.11.4124	120 K	2%, 0207 + MF	
R..0004		57.11.4563	56 K	2%, 0207 + MF	
R..0005		57.11.4103	10 K	2%, 0207 + MF	
R..0006		57.11.4562	5.6 K	2%, 0207 + MF	
R..0007		57.11.4182	1.8 K	2%, 0207 + MF	
R..0008		57.11.4681	680	2%, 0207 + MF	
R..0009		57.11.4224	220 K	2%, 0207 + MF	
M..0001		1.777.414.93		ML-FAST START BOARD	

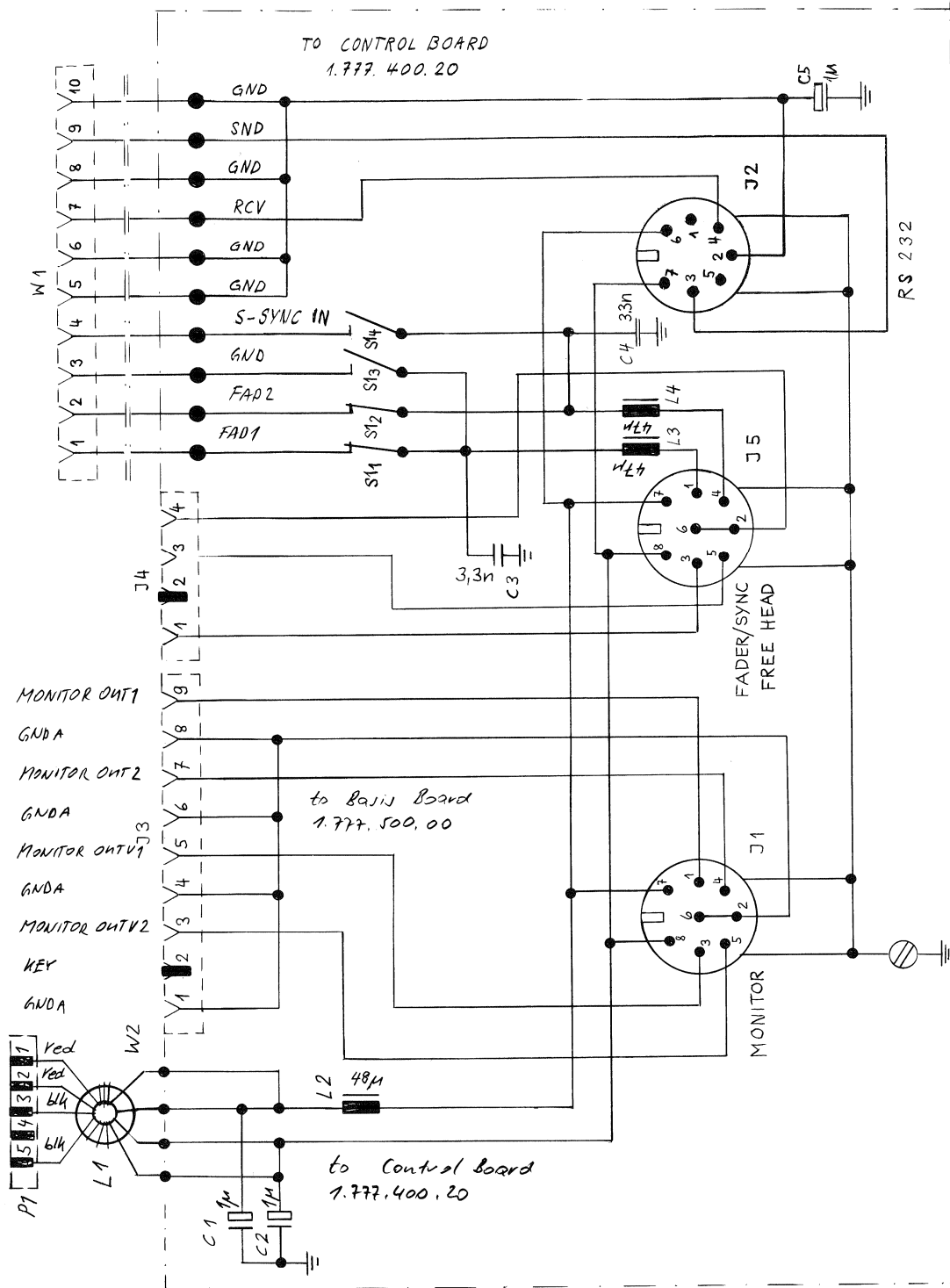
ORIG 87/09/28

STUDER (00) 87/09/28

FAST START BOARD

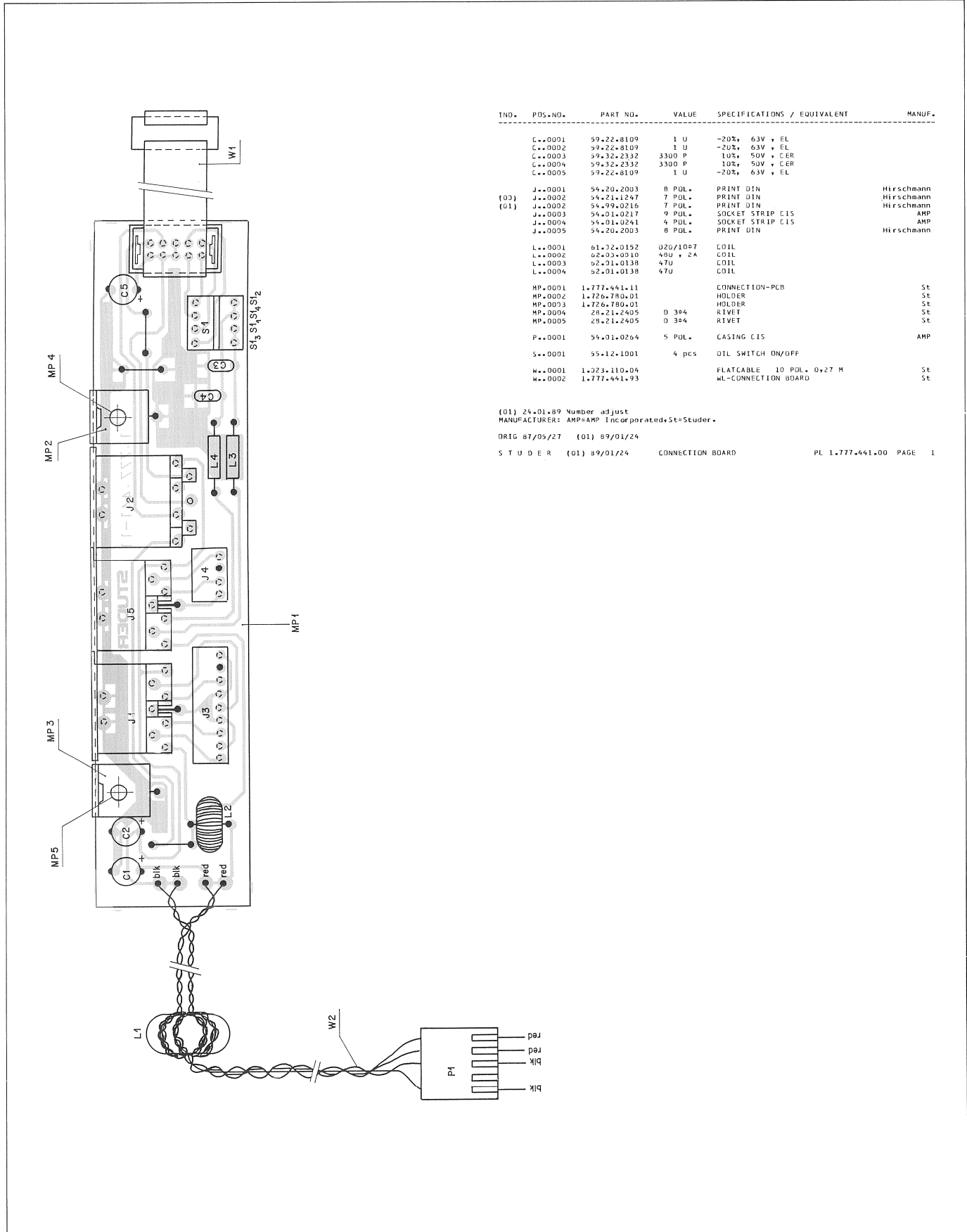
1.777.414.00 PAGE 1

CONNECTION BOARD 1.777.441.00



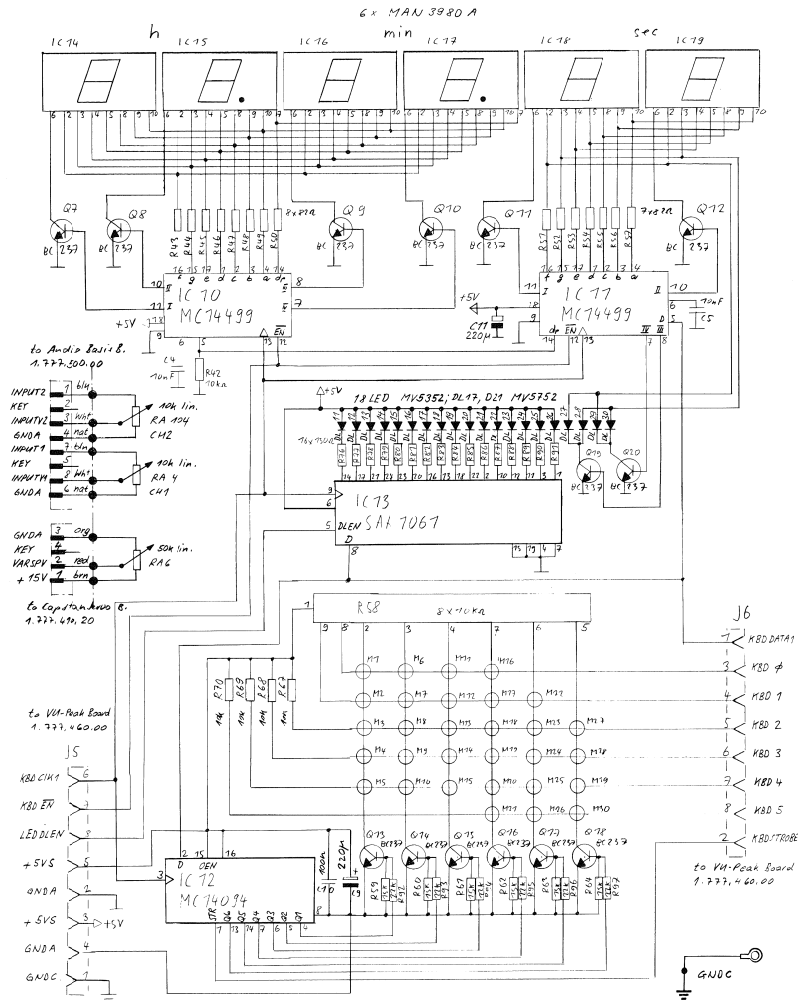
© 1.6.87	J.674	○ ..	○ ..	○ ..	○ ..
C 270					PAGE 1 OF 1
STUDER	CONNECTION BOARD			SC	1.777.441.00

CONNECTION BOARD 1.777.441.00





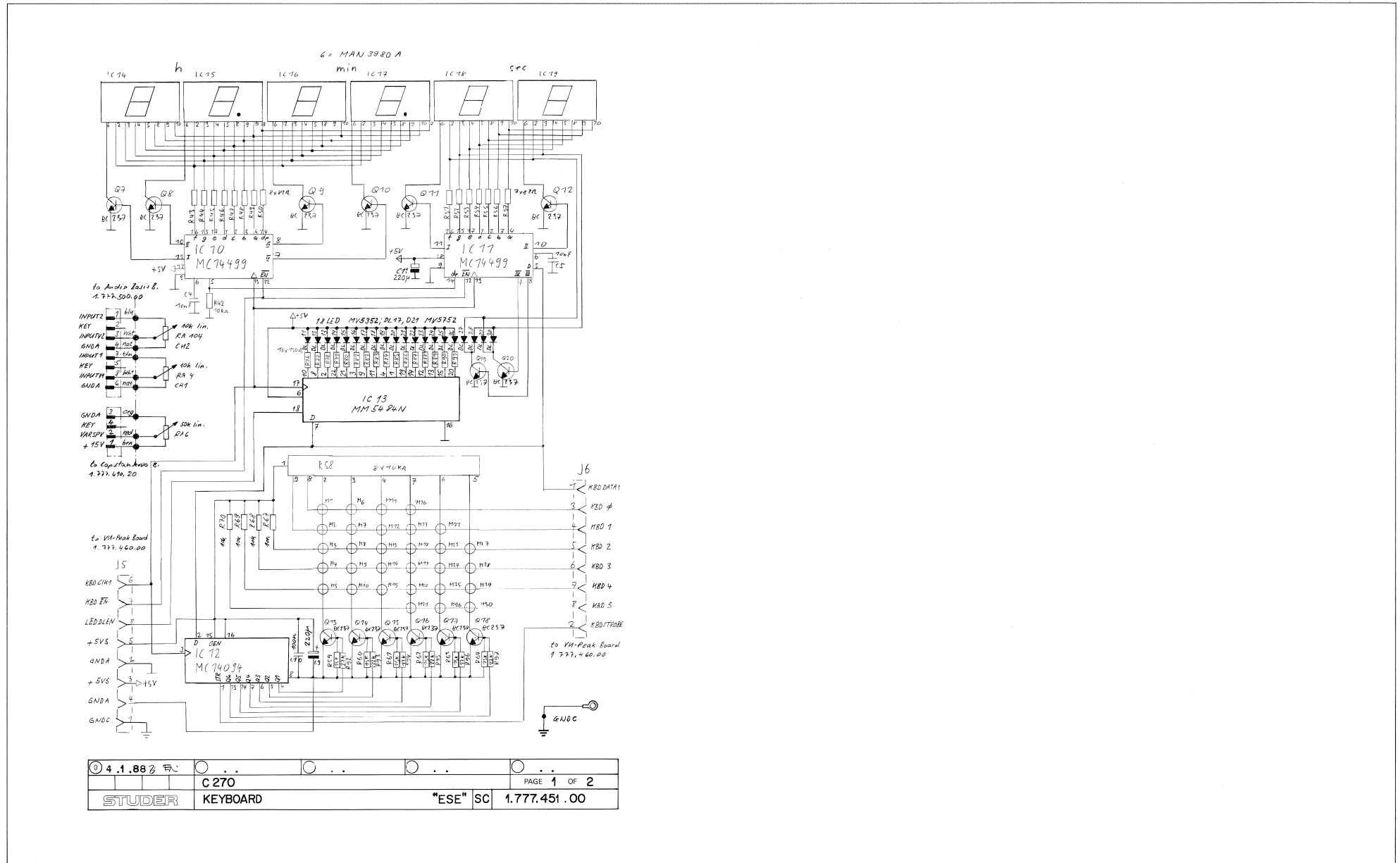
KEYBOARD 1.777.450.00



	J6.3	J6.4	J6.5	J6.6	J6.7	J6.8
Q 13	SEL M 1	STEP M 2	TRANS M 3	SEARCH M 4	RESET M 5	
Q 14	Z-LOG M 6 (D 27)	A-LOG M 7 (D 28)	LOOP M 8 (D 29)	T-DUMP M 9 (D 30)	EDIT M 10 (D 26)	
Q 15	<< M 11	>> M 12	PLAY M 13	STOP M 14	REC M 15	
Q 16	READY 1 M 16 (D 21)	INPUT 1 M 17 (D 25)	SYNC 1 M 18 (D 22)	REPRO 1 M 19 (D 24)	MIC M 20 (D 23)	UNCALINP. M 21 (D 18)
Q 17		LINE M 22 (D 11)	READY 2 M 23 (D 17)	INPUT 2 M 24 (D 12)	SYNC 2 M 25 (D 19)	REPRO 2 M 26 (D 16)
Q 18			UNCALOUT. M 27 (D 13)	SLOW M 28 (D 20)	FAST M 29 (D 15)	VARISPEED M 30 (D 14)

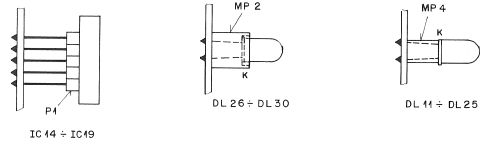
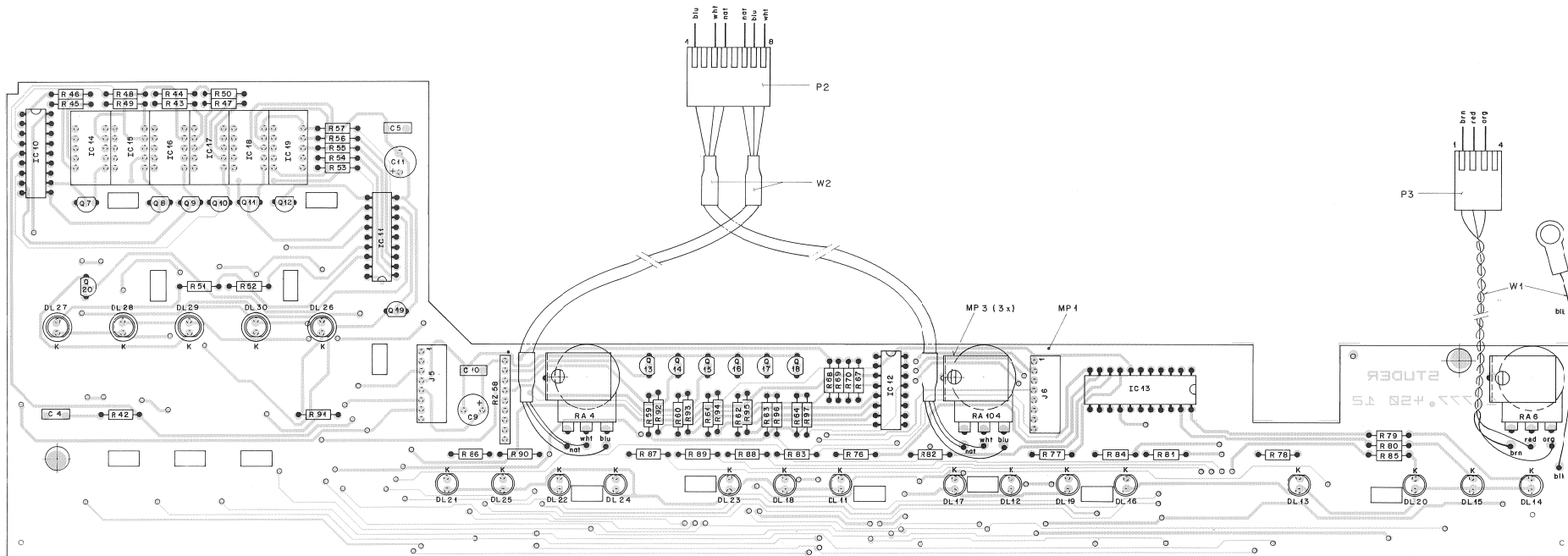
① 21.1.87 B FC	① 12.8.87 J.M. E.K.	○ . .	○ . .	PAGE 1 OF 2
STUDER	KEYBOARD	*ESE" SC	1.777.450.00	

KEYBOARD 1.777.451.00



④ 4 .1.88	C 270	PAGE 1 OF 2
STUDER	KEYBOARD	"ESE" SC 1.777.451.00

KEYBOARD 1.777.451.00

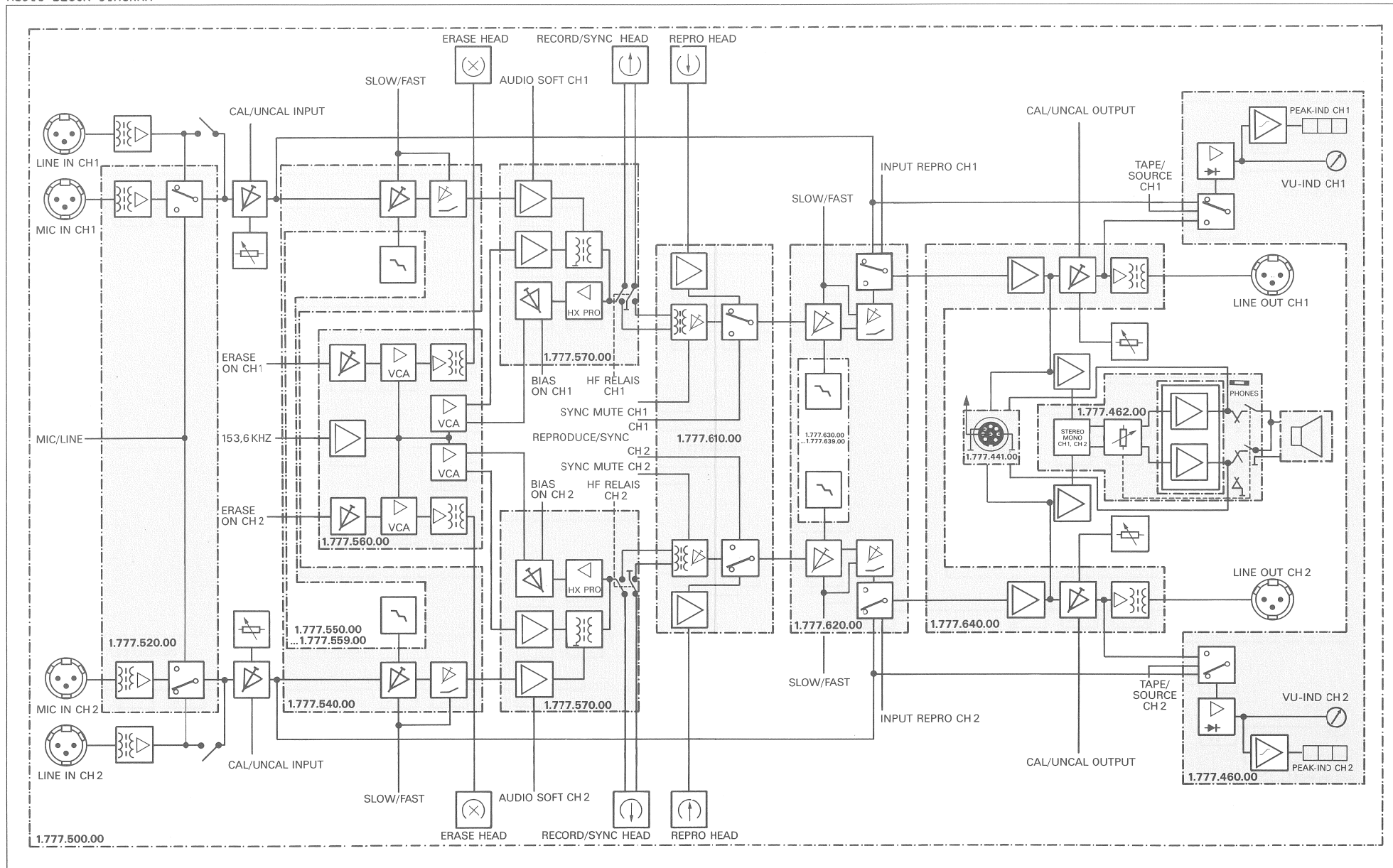


IC 14 - IC 15

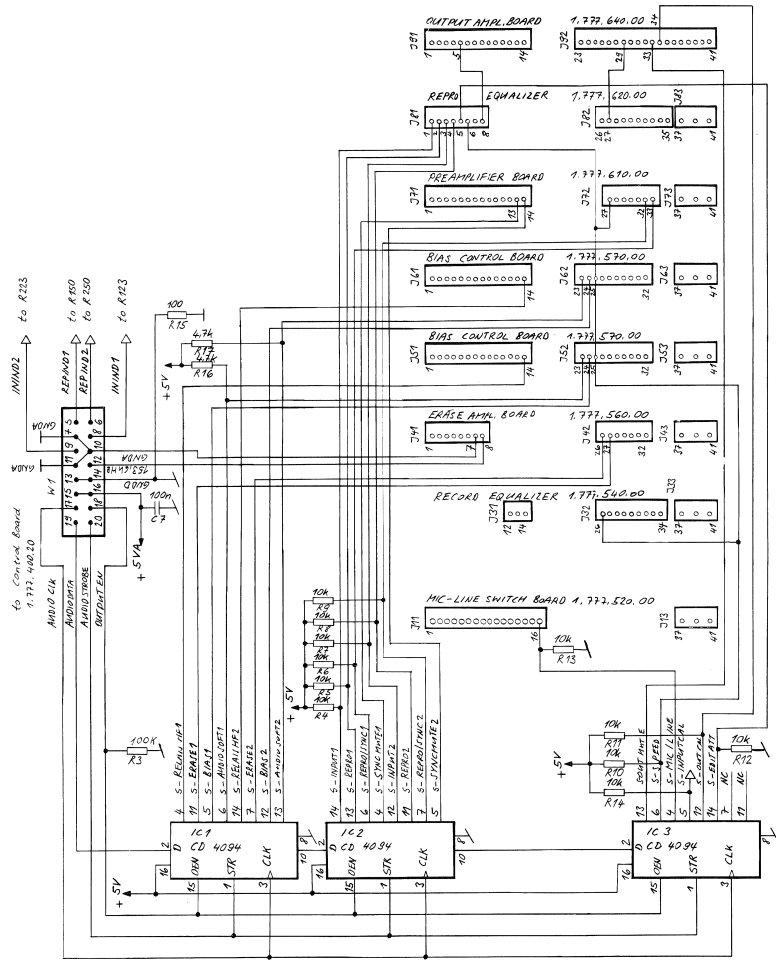
IND.	POS-NO.	PART NO.	VALUE	SPECIFICATIONS / EQUIVALENT	MANUF.	IND.	POS-NO.	PART NO.	VALUE	SPECIFICATIONS / EQUIVALENT	MANUF.	IND.	POS-NO.	PART NO.	VALUE	SPECIFICATIONS / EQUIVALENT	MANUF.			
C++0004	59-26-5103	01 U	5%	63V + PETP		DL-0027	50-04-2500	RV 5352		GI	Q++0013	50-03-0436	IC 547 B4C 237 B	Siem-TI-ITT	R++0078	57-11-4151	150	2%	0207 + MF	
C++0005	59-26-5103	001 U	15%	0.3V + PETP		DL-0028	50-04-2114	RV 5352		GI	Q++0014	50-03-0436	IC 547 B4C 237 B	Siem-TI-ITT	R++0079	57-11-4151	150	2%	0207 + MF	
C++0009	59-22-3221	220 U	-20%	10V + EL		DL-0029	50-04-2500	RV 5352		GI	Q++0015	50-03-0436	IC 547 B4C 237 B	Siem-TI-ITT	R++0080	57-11-4151	150	2%	0207 + MF	
C++0010	59-26-5103	01 U	15%	0.3V + PETP		DL-0030	50-04-2114	RV 5352		GI	Q++0016	50-03-0436	IC 547 B4C 237 B	Siem-TI-ITT	R++0081	57-11-4151	150	2%	0207 + MF	
C++0011	59-22-3221	220 U	-20%	10V + EL		DL-0031	50-04-2500	RV 5352		GI	Q++0017	50-03-0436	IC 547 B4C 237 B	Siem-TI-ITT	R++0082	57-11-4151	150	2%	0207 + MF	
(00) DL-0011	50-04-2114		RV 5352		GI	Q++0018	50-03-0436	IC 547 B4C 237 B		Siem-TI-ITT	Q++0019	50-03-0436	IC 547 B4C 237 B	Siem-TI-ITT	R++0083	57-11-4151	150	2%	0207 + MF	
(00) DL-0012	50-04-2114		RV 5352		GI	Q++0020	50-03-0436	IC 547 B4C 237 B		Siem-TI-ITT	P++0001	53-01-0228	60 PCL	4515NG	SI	R++0084	57-11-4151	150	2%	0207 + MF
(00) DL-0013	50-04-2114		RV 5352		GI	P++0002	54-01-0289	4 PCL	4515NG	SI	R++0003	54-01-0289	4 PCL	4515NG	SI	R++0085	57-11-4151	150	2%	0207 + MF
(00) DL-0014	50-04-2114		RV 5352		GI	IC-0010	50-01-0010	IC 14499ME	AA	Mot	R++0042	57-11-4103	10 K	2%	0207 + MF	R++0086	57-11-4151	150	2%	0207 + MF
(00) DL-0015	50-04-2114		RV 5352		GI	IC-0011	50-01-0011	IC 14499ME	AA	Mot	R++0043	57-11-4120	02	2%	0207 + MF	R++0087	57-11-4151	150	2%	0207 + MF
(00) DL-0016	50-04-2114		RV 5352		GI	IC-0012	50-01-0012	IC 14499ME	AA	Mot	R++0044	57-11-4120	02	2%	0207 + MF	R++0088	57-11-4151	150	2%	0207 + MF
(00) DL-0017	50-04-2114		RV 5352		GI	IC-0013	50-01-0013	IC 14499ME	AA	Mot	R++0045	57-11-4120	02	2%	0207 + MF	R++0089	57-11-4151	150	2%	0207 + MF
(00) DL-0018	50-04-2114		RV 5352		GI	IC-0014	73-01-0150	MAN 3980A	AA	Mot	R++0046	57-11-4120	02	2%	0207 + MF	R++0090	57-11-4151	150	2%	0207 + MF
(00) DL-0019	50-04-2114		RV 5352		GI	IC-0015	73-01-0150	MAN 3980A	AA	Mot	R++0047	57-11-4120	02	2%	0207 + MF	R++0091	57-11-4151	150	2%	0207 + MF
(00) DL-0020	50-04-2114		RV 5352		GI	IC-0016	73-01-0150	MAN 3980A	AA	Mot	R++0048	57-11-4120	02	2%	0207 + MF	R++0092	57-11-4151	150	2%	0207 + MF
(00) DL-0021	50-04-2114		RV 5352		GI	IC-0017	73-01-0150	MAN 3980A	AA	Mot	R++0049	57-11-4120	02	2%	0207 + MF	R++0093	57-11-4151	150	2%	0207 + MF
(00) DL-0022	50-04-2114		RV 5352		GI	IC-0018	73-01-0150	MAN 3980A	AA	Mot	R++0050	57-11-4120	02	2%	0207 + MF	R++0094	57-11-4151	150	2%	0207 + MF
(00) DL-0023	50-04-2114		RV 5352		GI	IC-0019	73-01-0150	MAN 3980A	AA	Mot	R++0051	57-11-4120	02	2%	0207 + MF	R++0095	57-11-4151	150	2%	0207 + MF
(00) DL-0024	50-04-2114		RV 5352		GI	MP-0001	1-777-450-02	KEYBOARD PCB	SI	SI	R++0052	57-11-4120	02	2%	0207 + MF	R++0096	57-11-4151	150	2%	0207 + MF
(00) DL-0025	50-04-2114		RV 5352		GI	MP-0002	1-777-450-04	5 PCS	SI	SI	R++0053	57-11-4120	02	2%	0207 + MF	R++0097	57-11-4151	150	2%	0207 + MF
(00) DL-0026	50-04-2114		RV 5352		GI	MP-0003	1-777-450-01	3 PCS	SI	SI	R++0054	57-11-4120	02	2%	0207 + MF	R++0098	57-11-4151	150	2%	0207 + MF
(00) DL-0027	50-04-2114		RV 5352		GI	MP-0004	1-777-470-04	15 PCS	SI	SI	R++0055	57-11-4120	02	2%	0207 + MF	R++0099	57-11-4151	150	2%	0207 + MF
(00) DL-0028	50-04-2114		RV 5352		GI	J++0005	54-01-0262	8 PCL	STRIP CIS	AMP	R++0056	57-11-4120	02	2%	0207 + MF	R++0100	57-11-4151	150	2%	0207 + MF
(00) DL-0029	50-04-2114		RV 5352		GI	J++0006	54-01-0262	8 PCL	STRIP CIS	AMP	R++0057	57-11-4120	02	2%	0207 + MF	R++0101	57-11-4151	150	2%	0207 + MF
(00) DL-0030	50-04-2114		RV 5352		GI	U++0007	50-03-0436	IC 547 B4C 237 B	SI	Siem-TI-ITT	R++0058	57-11-4120	02	2%	0207 + MF	R++0102	57-11-4151	150	2%	0207 + MF
(00) DL-0031	50-04-2114		RV 5352		GI	U++0008	50-03-0436	IC 547 B4C 237 B	SI	Siem-TI-ITT	R++0059	57-11-4120	02	2%	0207 + MF	R++0103	57-11-4151	150	2%	0207 + MF
(00) DL-0032	50-04-2114		RV 5352		GI	U++0009	50-03-0436	IC 547 B4C 237 B	SI	Siem-TI-ITT	R++0060	57-11-4120	02	2%	0207 + MF	R++0104	57-11-4151	150	2%	0207 + MF
(00) DL-0033	50-04-2114		RV 5352		GI	U++0010	50-03-0436	IC 547 B4C 237 B	SI	Siem-TI-ITT	R++0061	57-11-4120	02	2%	0207 + MF	R++0105	57-11-4151	150	2%	0207 + MF
(00) DL-0034	50-04-2114		RV 5352		GI	U++0011	50-03-0436	IC 547 B4C 237 B	SI	Siem-TI-ITT	R++0062	57-11-4120	02	2%	0207 + MF	R++0106	57-11-4151	150	2%	0207 + MF
(00) DL-0035	50-04-2114		RV 5352		GI	U++0012	50-03-0436	IC 547 B4C 237 B	SI	Siem-TI-ITT	R++0063	57-11-4120	02	2%	0207 + MF	R++0107	57-11-4151	150	2%	0207 + MF

MANUFACTURED BY Motorola and General Instruments-Philips
 Siem-TI-ITT and Amp Incorporated-Studef
 TI-Tek Instruments-ITT-Intermetall,
 National Semiconductor.

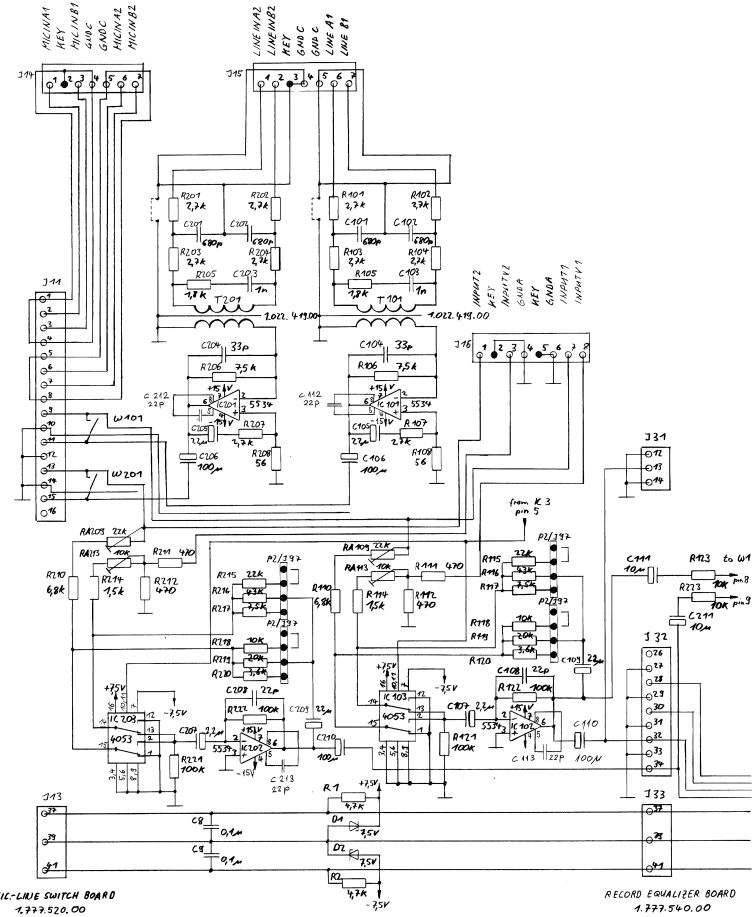
AUDIO BLOCK DIAGRAM



AUDIO BASIS BOARD 1.777.500.81

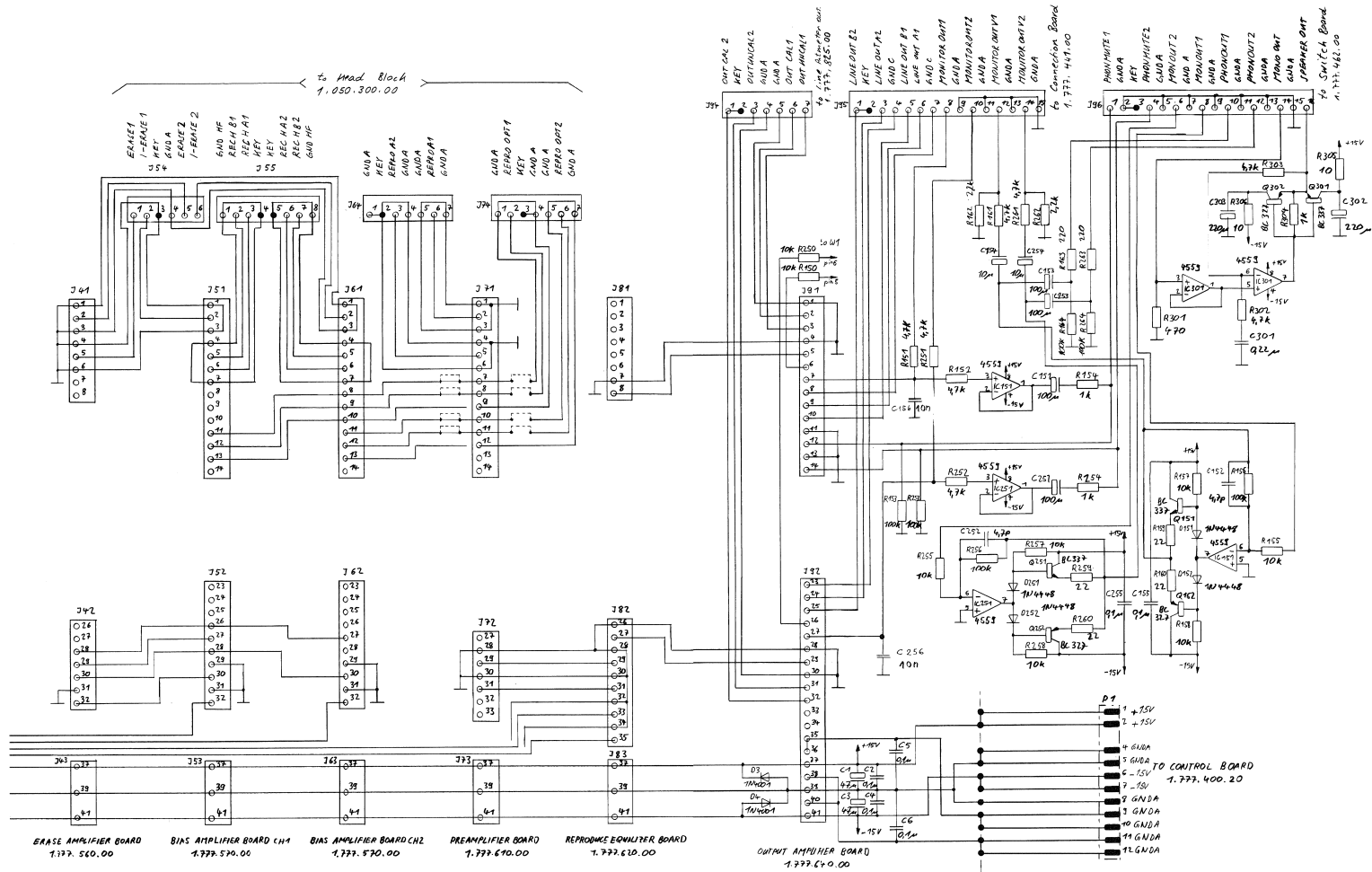


07.1.88	2 JUL 88	C270	PAGE 1 OF 4
STUDER	AUDIO BASIS BOARD	"ESE" SC	1.777.500.81



07.1.88	2 JUL 88	C270	PAGE 2 OF 4
STUDER	AUDIO BASIS BOARD	"ESE" SC	1.777.500.81

AUDIO BASIS BOARD 1.777.500.81

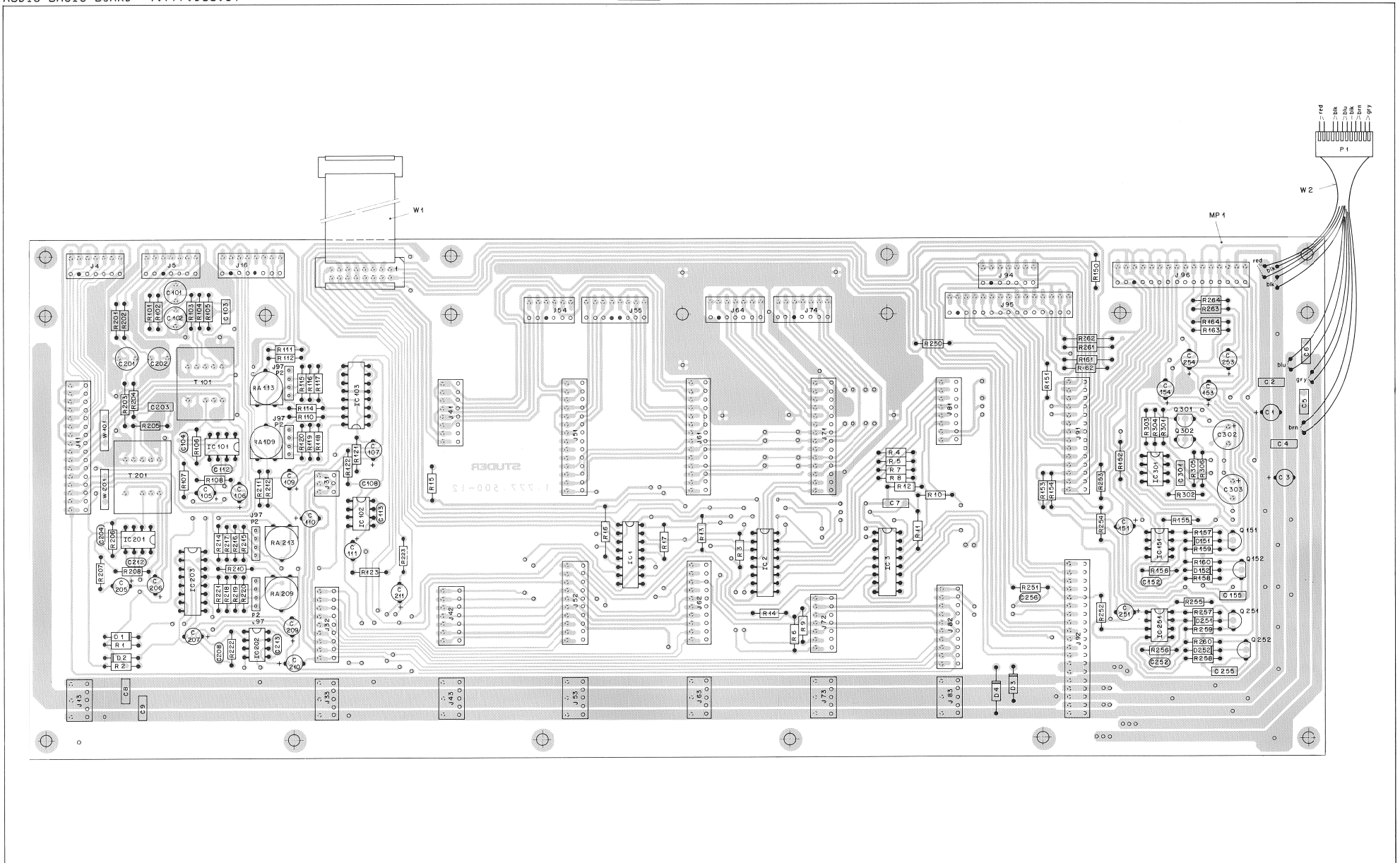


7.188	2	JFA
C270						
STUDER			AUDIO BASIS BOARD		"ESE" SC 1.777.500.81	
				PAGE 3 OF 4		

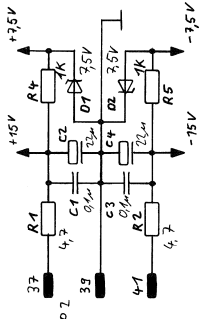
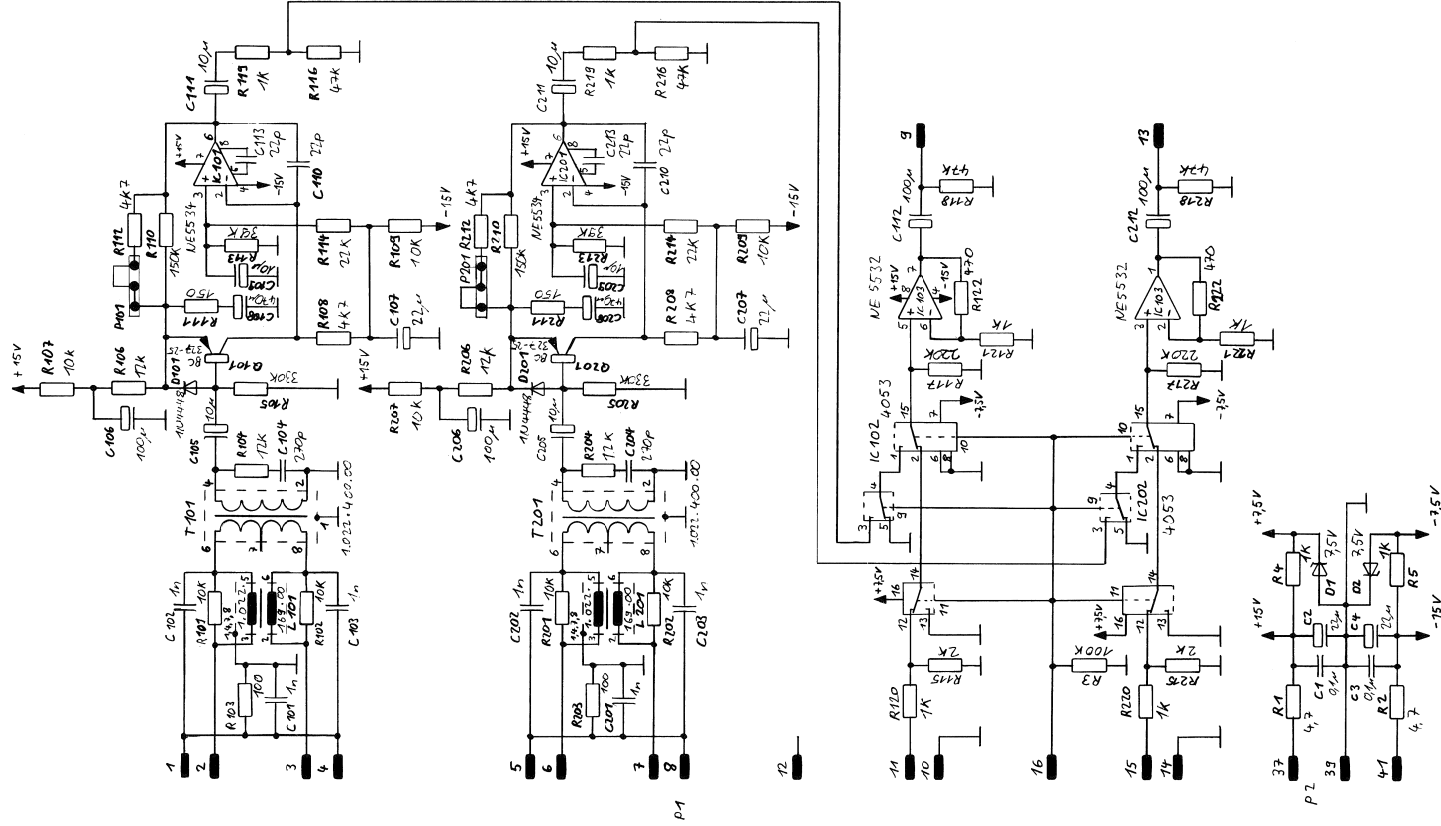
7.188	2	JFA
C270						
STUDER			AUDIO BASIS BOARD		"ESE" SC 1.777.500.81	
				PAGE 4 OF 4		



AUDIO BASIS BOARD 1.777.500.81



MIC-LINE-SWITCH BOARD 1.777.520.00



Einbauanleitung für die Mikrofonoption C270

Bausatz: 1 Stk. Mikrofonoption Print 1.777.520.00
2 Stk. Fuehrungsschienen 1.088.300.07

Hilfsmittel: Sechskantschluesel No.2,5
Kreuzschraubendreher No.2

Anleitung:

- Geraet von seiner Stromzufuhr trennen.
- Gehaeuse entfernen durch Loesen der 8 seitlichen IS-Schrauben und der 4 Fussleisten-Befestigungsschrauben.
- Das VU-Meter Panel nach Loesen der 4 IS-Schrauben nach oben klappen.
- Die 2 Drahtbruecken W101 und W201 **(A)** auf dem AUDIO BASIS PRINT oeffnen. Freies Ende nach unten druecken und seitlich aus der Verankerung ausfahren.
- Die 2 Fuehrungsschienen in die vorbereiteten Montageloecher, ganz links, einsetzen und einschnappen lassen.
- Auf Print 1.777.520.00 mit P101 (CH1) und P201 (CH2) **(B)** die Eingangsempfindlichkeit LOW (-70 bis -36 dBu) oder HIGH (-38 bis -8 dBu) waehlen.
- Print 1.777.520.00 in die Steckerleisten J11 und J13 **(C)** des AUDIO BASIS PRINTs 1.777.500.81 einsetzen.
- Auf dem CONTROL PRINT 1.777.400.22 Schalter 6 des DIL-Schalters SZ1 **(D)** auf Position ON stellen (siehe Fig. 2).
- VU-Meter Panel schliessen, Gehaeuse montieren.

Hinweis: Nach diesem Umbau sind keine Einstellarbeiten notwendig.
Fuer die Anwendung bitte Bedienungsanleitung konsultieren.

Installation Instructions for the Mic Option Board C270

Kit: 1 Mic Option Board 1.777.520.00
2 Plastic guide rails 1.088.300.07

Tools: Allen key no.2,5
Cross head screw driver no.2

Instructions:

- Disconnect the unit from its power supply.
- Remove the housing after unscrewing the 8 allen key screws to be found 4 on each side and the units feet by loosening 2 cross head screws each.
- Fold up the VU meter panel after loosening the 4 corresponding allen key screws.
- Disconnect the 2 wire bridges W101 and W201 **(A)** to be found on the AUDIO BASIS BOARD. Push the free end downwards and to the side to loosen it from its contact point.
- Install the two plastic guide rails in their foreseen place (all to the left). Make sure that rails snap in properly.
- Select with P101 (CH1) and P201 (CH2) **(B)** on PCB 1.777.520.00 the wanted input sensitivity, LOW (-70 to -36 dBu) or HIGH (-38 to -8 dBu).
- Insert board 1.777.520.00 into the connectors J11 and J13 **(C)** to be found on the AUDIO BASISD BOARD 1.777.500.81.
- Set switch 6 of the DIL switch SZ1 **(D)** to its ON position, to be found on the CONTROL BOARD 1.777.400.22 (see fig. 2).
- Reinstall VU meter panel and housing.

Attention: After this installation no realignment is needed.
To operate please consult the operating manual.

Instruction de montage pour l'option microphone C270.

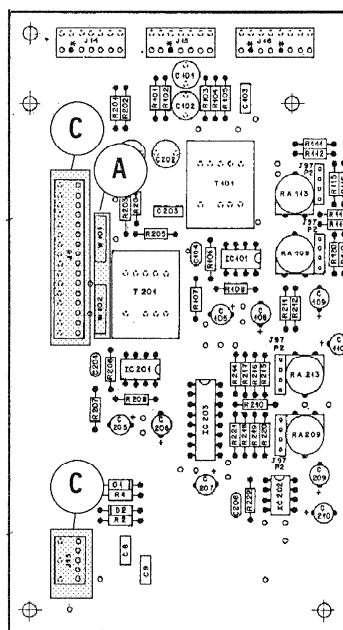
Contenu: 1 carte option microphone 1.777.520.00
2 glissières de guidage 1.088.300.07

Outils: clé 6-pans No.2.5
Tourne-vis à croix No.2

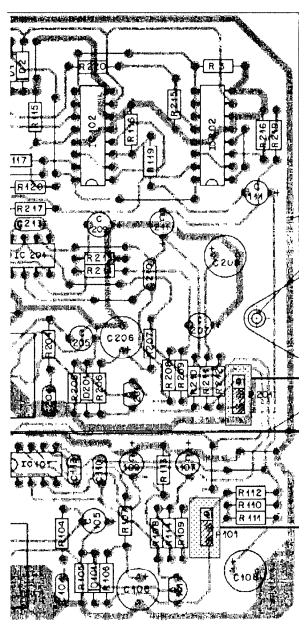
Instructions:

- retirer la fiche secteur.
- enlever le boîtier après avoir retiré les 8 vis 6-pans latérales ainsi que les 4 vis des pieds.
- ouvrir vers le haut le panneau des VU-mètres après avoir retiré les 4 vis 6-pans.
- ouvrir les 2 contacts W101 et W201 (A) du AUDIO BASIS PRINT: peser sur l'extrémité libre et dégager le contact sur le côté.
- introduire les 2 glissières dans les trous prévus à cet effet, tout à gauche des cartes audio.
- Sur le circuit 1.777.520.00 choisir la sensibilité d'entrée à l'aide de P101 (CH1) et de P201 (CH2) (B). LOW (-70 à -36 dBU) ou HIGH (-38 à -8 dBU).
- introduire la carte 1.777.520.00 dans les contacts J11 et J13 (C) de la carte AUDIO BASIS PRINT 1.777.500.81.
- mettre le 6e contact de l'interrupteur DIL SZ1 (D) en position ON, sur la carte CONTROL PRINT 1.777.400.22.
- refermer le panneau VU-mètres et le boîtier.

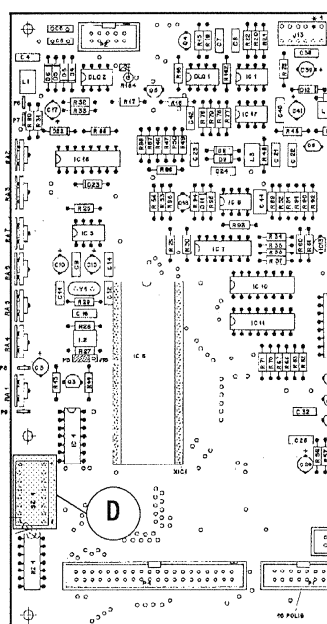
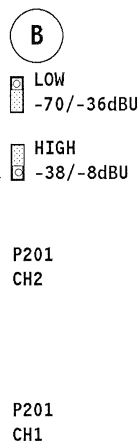
Remarques: - Cette modification ne nécessite pas de réglage de l'appareil. Consulter aussi le mode d'emploi.



1.777.500.81

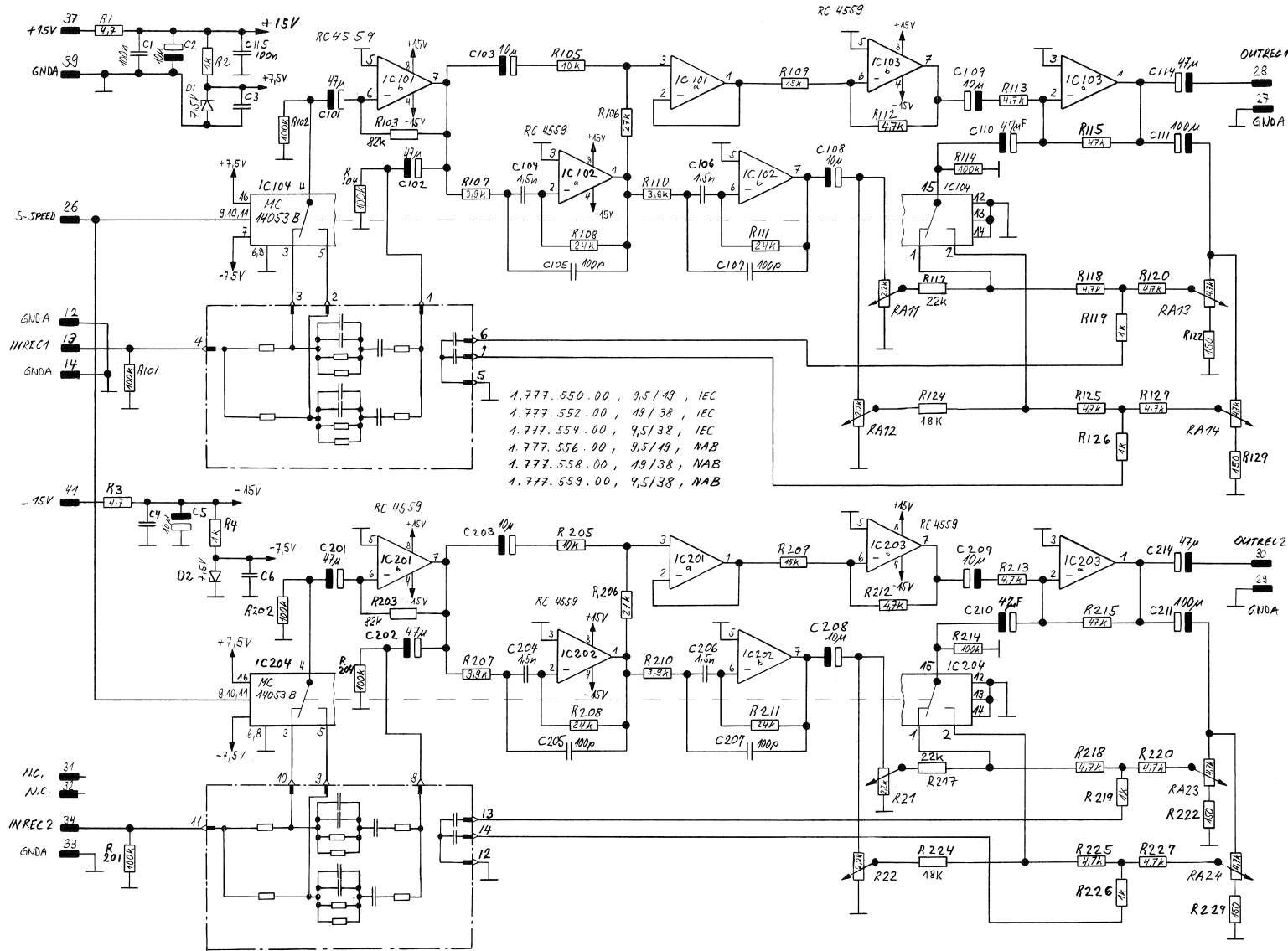


1.777.520.00



1.777.400.22

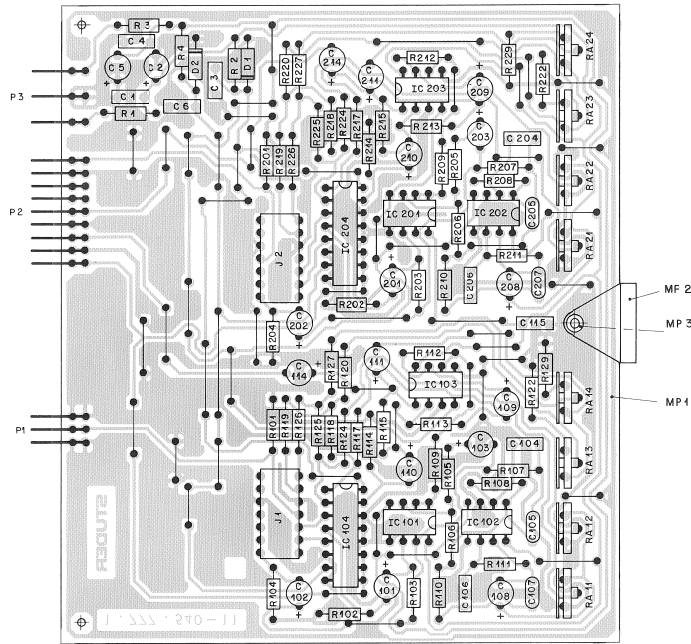
RECORD EQUALIZER BOARD 1.777.540.00



18.1.87 12.8.87 J.M. Epl.
 C270
 "ESE" SC 1.777.540.00
 STUDER
 PAGE 1 OF 1



RECORD EQUALIZER BOARD 1.777.540.00

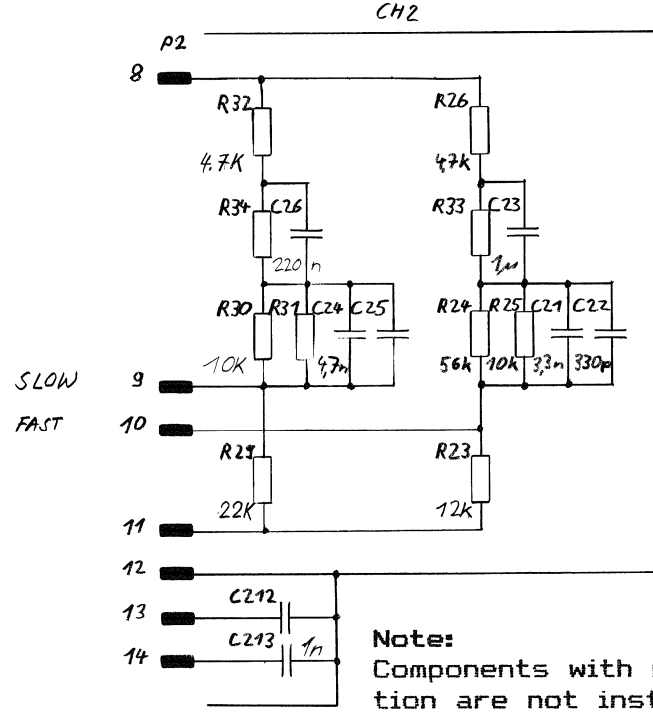
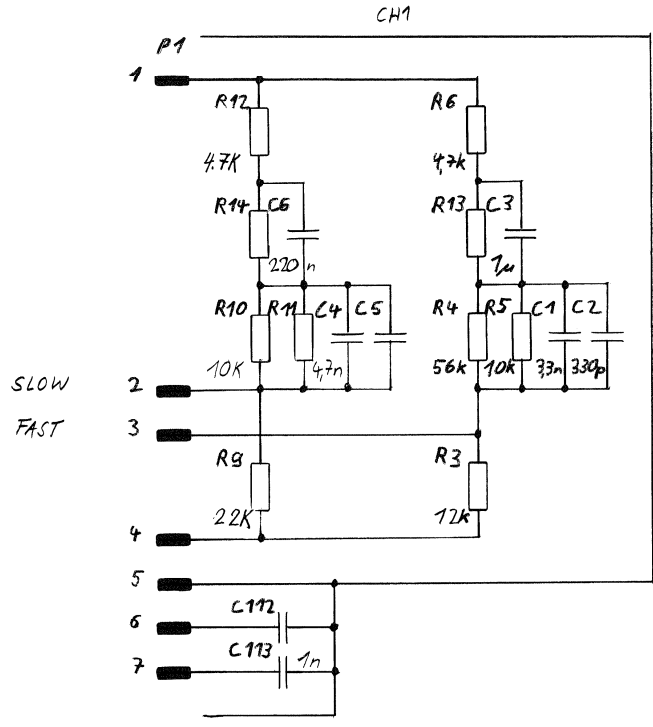


IND.	POS.NO.	PART NO.	VALUE	SPECIFICATIONS / EQUIVALENT	MANUF.	IND.	POS.NO.	PART NO.	VALUE	SPECIFICATIONS / EQUIVALENT	MANUF.
...	IC101	59.04.0104	1 U	10k, 53V	PETP	...
...	IC102	59.22.0100	1 U	-20k, 40V	EL	...
...	IC103	59.06.0104	-1 U	not connected		...
...	IC104	59.22.0100	1 U	-20k, 40V	EL	...
...

IND.	POS.NO.	PART NO.	VALUE	SPECIFICATIONS / EQUIVALENT	MANUF.	IND.	POS.NO.	PART NO.	VALUE	SPECIFICATIONS / EQUIVALENT	MANUF.
...
...
...
...

PUBLISHED 01/88

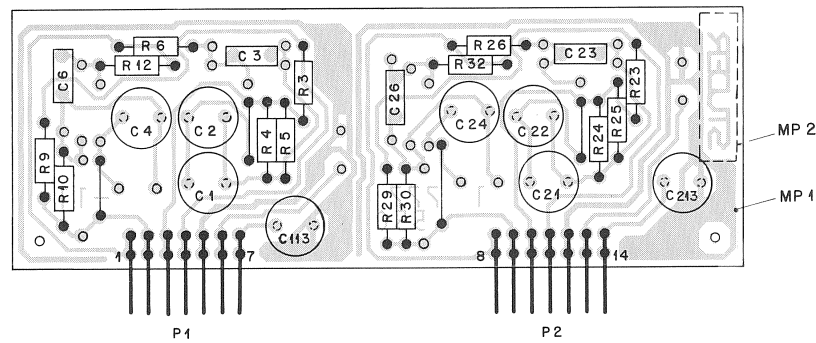
RECORD SPEED BOARD 9.5/19 IEC 1.777.550.00



Note:
Components with no value indication are not installed.

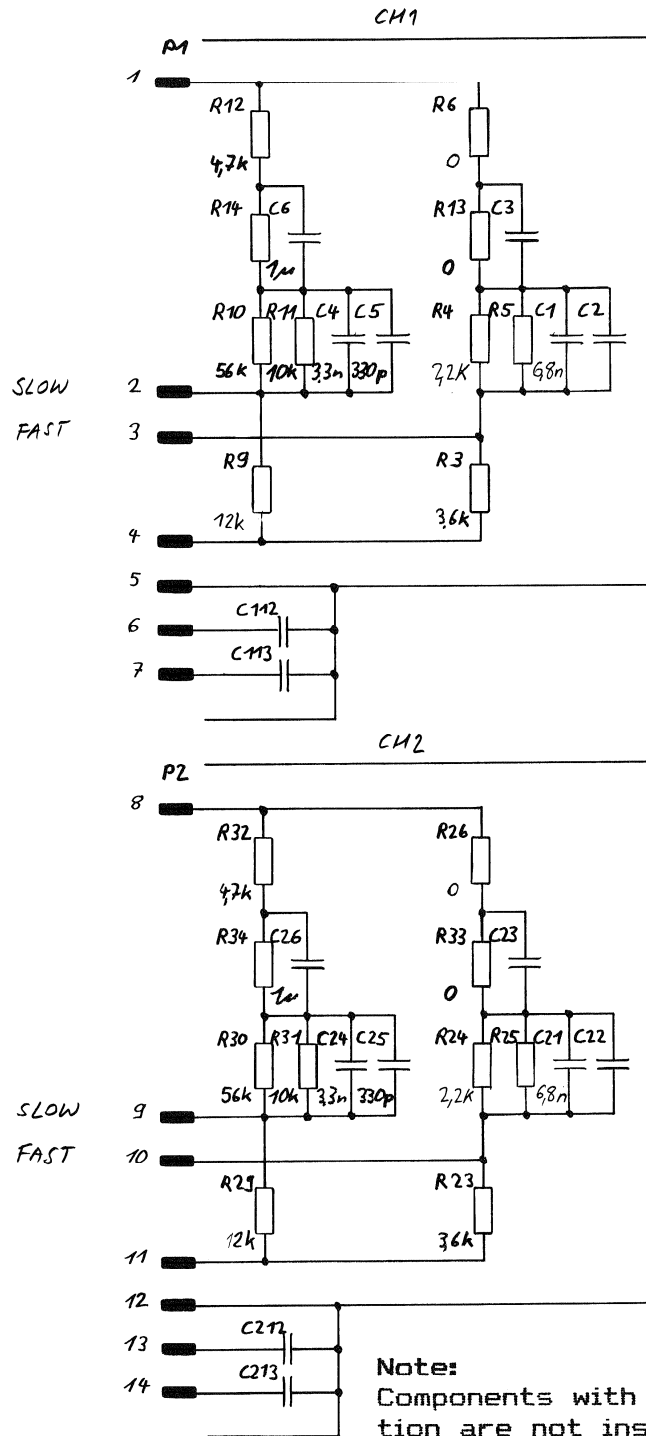
① 232.87 d	FA	② 15.09.87 C.F. in v. 1	③ 03.02.88	○ ..	○ ..
C270			PAGE 1 OF 1		
STUDER	RECORD SPEED B. 9.5/19 IEC (3.75/7.5)		SC	1.777.550.00	

RECORD SPEED BOARD 9.5/19 IEC 1.777.550.00



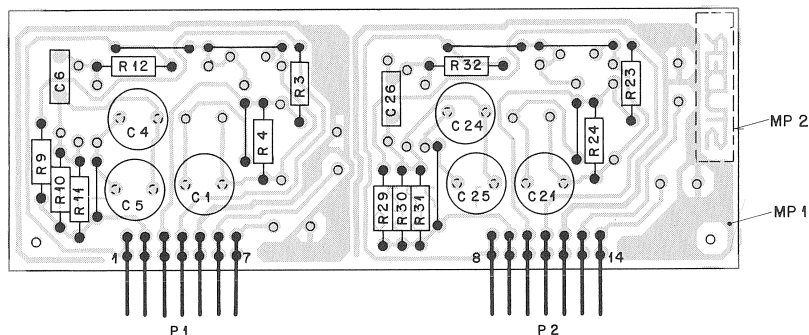
IND.	POS.ND.	PART NO.	VALUE	SPECIFICATIONS / EQUIVALENT	MANUF.	IND.	POS.ND.	PART NO.	VALUE	SPECIFICATIONS / EQUIVALENT	MANUF.
		C..0001	59.05.2332	3300 P	2.5%, 160V, PP						
		C..0002	59.05.2331	330 P	2.5%, 630V, PP						
		C..0003	59.06.5105	1 U	5%, 50V, PETP						
(00)		C..0004	59.05.2103	.01 U	2.5%, 63V, PP	(01)	R..0012	57.11.3102	1 K	1%, 0207, MF	
(01)		C..0004	59.05.2472	4700 P	2.5%, 63V, PP	(02)	R..0012	57.11.4472	4.7 K	2%, 0207, MF	
(00)		C..0005	59.05.2332	3300 P	2.5%, 160V, PP			R..0023	57.11.3123	12 K	1%, 0207, MF
(01)		C..0005			not connected			R..0024	57.11.3563	56 K	1%, 0207, MF
(00)		C..0006	59.06.5474	.47 U	5%, 63V, PETP			R..0025	57.11.3103	10 K	1%, 0207, MF
(01)		C..0006	59.06.5224	.22 U	5%, 63V, PETP	(00)		R..0026	57.11.3472	4.7 K	1%, 0207, MF
		L..0021	59.05.2332	3300 P	2.5%, 160V, PP	(01)		R..0029	57.11.3103	10 K	1%, 0207, MF
		C..0022	59.05.2331	330 P	2.5%, 630V, PP	(02)		R..0029	57.11.3183	18 K	1%, 0207, MF
		C..0023	59.06.5105	1 U	5%, 50V, PETP	(00)		R..0029	57.11.4223	22 K	2%, 0207, MF
(00)		C..0024	59.05.2103	.01 U	2.5%, 63V, PP	(01)		R..0030	57.11.3472	4.7 K	1%, 0207, MF
(01)		C..0024	59.05.2472	4700 P	2.5%, 63V, PP	(01)		R..0030	57.11.3103	10 K	1%, 0207, MF
(00)		C..0025	59.05.2332	3300 P	2.5%, 160V, PP	(01)		R..0032	57.11.3222	2.2 K	1%, 0207, MF
(01)		C..0025			not connected	(01)		R..0032	57.11.3102	1 K	1%, 0207, MF
(00)		C..0026	59.06.5474	.47 U	5%, 63V, PETP	(02)		R..0032	57.11.4472	4.7 K	2%, 0207, MF
(01)		C..0026	59.06.5224	.22 U	5%, 63V, PETP						
(01)		C..0111	59.05.2102	1000 P	2.5%, 630V, PP						
(01)		C..0213	59.05.2102	1000 P	2.5%, 630V, PP						
		MP..0001	1.777.550.11		RECORD SPEED BOARD PCB LABEL						
		MP..0002	1.777.550.01		LABEL						
		P..0001	54.01.0223	7 PUL.	STRIP CIS						
		P..0002	54.01.0223	7 PUL.	STRIP CIS						
		R..0003	57.11.3123	12 K	1%, 0207, MF						
		R..0004	57.11.3563	56 K	1%, 0207, MF						
		R..0005	57.11.3103	10 K	1%, 0207, MF						
		R..0006	57.11.3472	4.7 K	1%, 0207, MF						
(00)		R..0009	57.11.3103	10 K	1%, 0207, MF	(01)		15.09.87	Value adjust		
(01)		R..0009	57.11.3183	18 K	1%, 0207, MF	(02)		03.02.88	Value adjust		
(02)		R..0009	57.11.4223	22 K	2%, 0207, MF						
(00)		R..0010	57.11.3472	4.7 K	1%, 0207, MF						
(01)		R..0010	57.11.3103	10 K	1%, 0207, MF						
(00)		R..0012	57.11.3222	2.2 K	1%, 0207, MF						
S T U D E P (02) 88/02/03 RECORD SPEED BOARD 9.5/19 IEC 1.777.550.00 PAGE 1						S T U D E R (02) 88/02/03 RECORD SPEED BOARD 9.5/19 IEC 1.777.550.00 PAGE 2					

RECORD SPEED BOARD 19/38 IEC 1.777.552.00



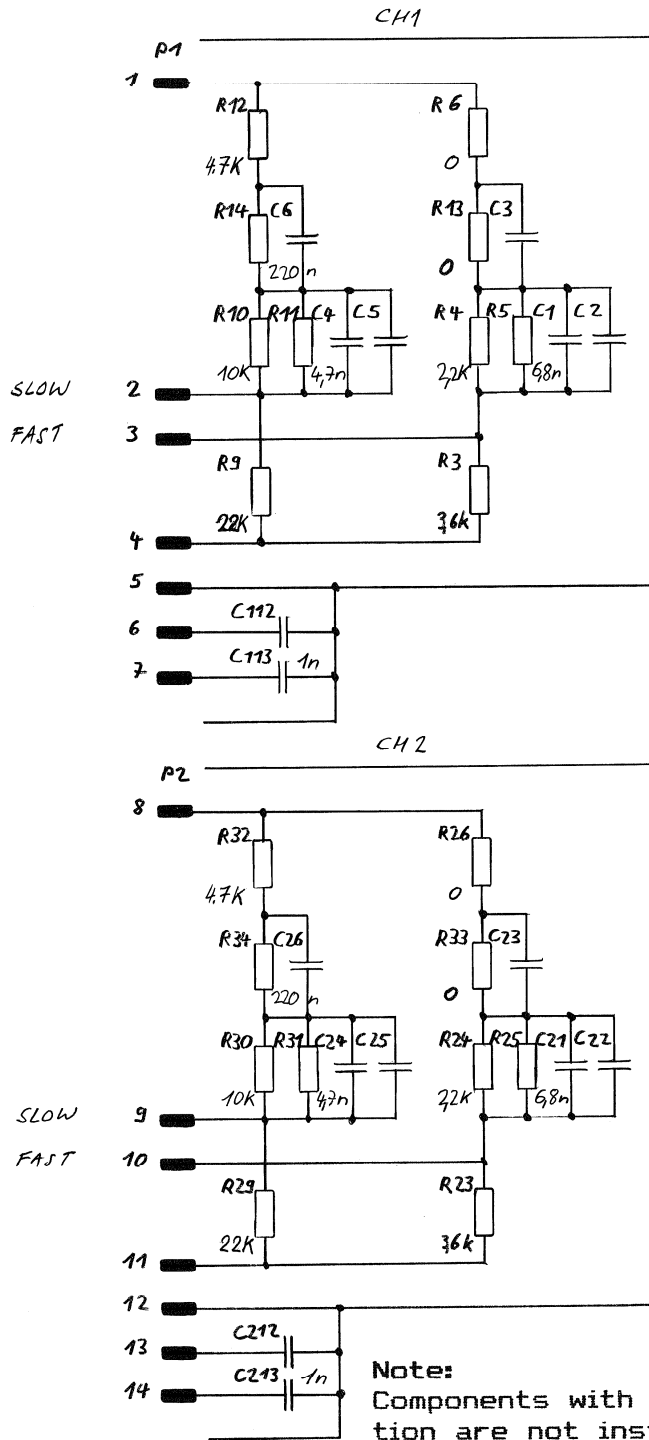
① 232.8727 EA	① 17.7.87 J.U.-EA	② 15.09.87 E.Zimmermann	○ . .	○ . .
C270			PAGE 1 OF 1	
STUDER	RECORD SPEED B.19/38 IEC (7,5/15)	SC	1.777.552.00	

RECORD SPEED BOARD 19/38 IEC 1.777.552.00



IND.	POS. NO.	PART NO.	VALUE	SPECIFICATIONS / EQUIVALENT	MANUF.	IND.	POS. NO.	PART NO.	VALUE	SPECIFICATIONS / EQUIVALENT	MANUF.
(00)	C..0001	59.05.2222	2200 P	2.5%, 160V, PP		(01)	K..0029	57-11-3123	12 K	1%, 0207, MF	
(02)	C..0001	59.05.2682	6800 P	2.5%, 63V, PP			R..0030	57-11-3563	56 K	1%, 0207, MF	
	C..0004	59.05.2332	3300 P	2.5%, 160V, PP			R..0031	57-11-3103	10 K	1%, 0207, MF	
	C..0005	59.05.2331	330 P	2.5%, 630V, PP			R..0032	57-11-3472	4.7 K	1%, 0207, MF	
	C..0006	59.06.5105	1 U	5%, 50V, PETP							
(00)	C..0021	59.05.2222	2200 P	2.5%, 160V, PP							
(02)	C..0021	59.05.2682	6800 P	2.5%, 63V, PP							
	C..0024	59.05.2332	3300 P	2.5%, 160V, PP							
	C..0025	59.05.2331	330 P	2.5%, 630V, PP							
	C..0026	59.06.5105	1 U	5%, 50V, PETP							
	MP..0001	1.777.550.11		RECORD SPEED BOARD PCB							
	MP..0002	1.777.552.01		LABEL							
	P..0001	54.01.0223	7 PDL	STRIP C15							
	P..0002	54.01.0223	7 PDL	STRIP C15							
	R..0003	57.11.3362	3.6 K	1%, 0207, MF							
(00)	R..0004	57.11.3392	3.9 K	1%, 0207, MF							
(02)	R..0004	57.11.3222	2.2 K	1%, 0207, MF							
(00)	R..0005	57.11.3472	4.7 K	1%, 0207, MF							
(02)	R..0005			not connected							
(00)	R..0006	57.11.3101	100	1%, 0207, MF							
(02)	R..0006	1.010.324.64	0	WIRING BRIDGE							
(00)	R..0009	57.11.3822	8.2 K	1%, 0207, MF							
(01)	R..0009	57.11.3123	12 K	1%, 0207, MF							
	R..0010	57.11.3563	56 K	1%, 0207, MF							
	R..0011	57.11.3103	10 K	1%, 0207, MF							
	R..0012	57.11.3472	4.7 K	1%, 0207, MF							
	R..0023	57.11.3362	3.6 K	1%, 0207, MF							
(00)	R..0024	57.11.3392	3.9 K	1%, 0207, MF							
(02)	R..0024	57.11.3222	2.2 K	1%, 0207, MF							
(00)	R..0025	57.11.3472	4.7 K	1%, 0207, MF							
(02)	R..0025			not connected		(01)	17-07.87		VALUE ADJUST		
(00)	R..0026	57.11.3101	100	1%, 0207, MF		(02)	15-09.87		VALUE ADJUST		
(02)	R..0026	1.010.324.64	0	WIRING BRIDGE							
(00)	R..0029	57.11.3822	8.2 K	1%, 0207, MF							
S T U D I E R (02) 87/09/15 RECDRO SPEED BOARD 19/38 IEC 1.777.552.00 PAGE 1						S T U D I E R (02) 87/09/15 RECDRO SPEED BOARD 19/38 IEC 1.777.552.00 PAGE 2					

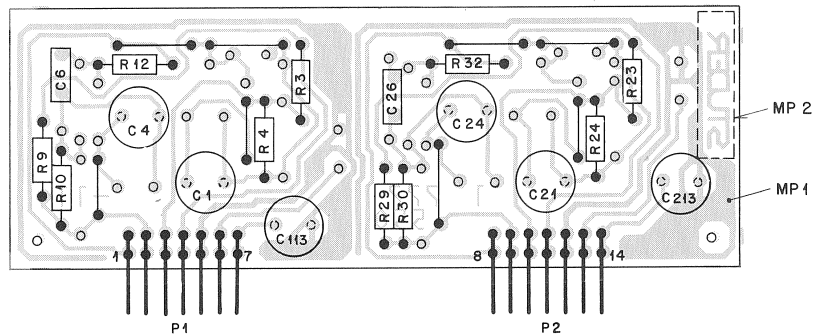
RECORD SPEED BOARD 9.5/38 IEC 1.777.554.00



Note:
 Components with no value indication are not installed.

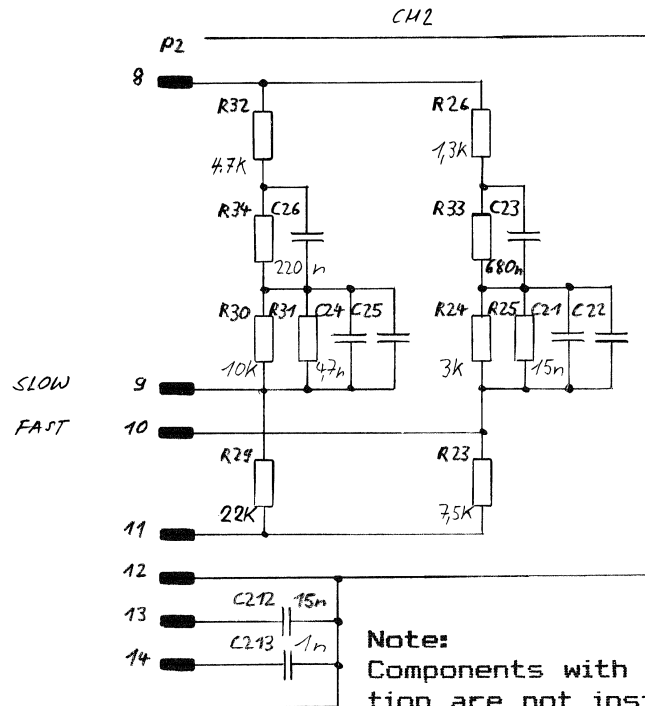
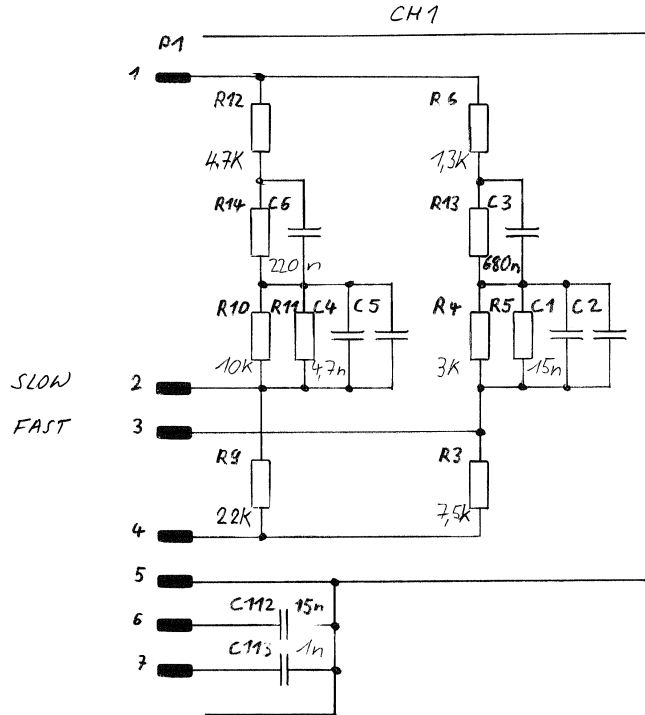
① 232.873 EN	② 1509837-Kimmer	③ 03.02.88	○ ..	○ ..
C 270		PAGE 1 OF 1		
STUDER	RECORD SPEED B. 9.5 / 38	IEC (3,75 / 15)	SC	1.777.554.00

RECORD SPEED BOARD 9.5/38 IEC 1.777.554.00



IND.	POS-NO.	PART NO.	VALUE	SPECIFICATIONS / EQUIVALENT	MANUF.	IND.	POS-NO.	PART NO.	VALUE	SPECIFICATIONS / EQUIVALENT	MANUF.
(00)	C..0001	59.05.2222	2200 P	2.5%, 160V, PP		(00)	R..0012	57.11.3222	2.2 K	1%, 0207, MF	
(01)	C..0001	59.05.2682	6800 P	2.5%, 63V, PP		(01)	R..0012	57.11.3102	1 K	1%, 0207, MF	
(00)	C..0004	59.05.2103	.01 U	2.5%, 63V, PP		(02)	R..0012	57.11.4472	4.7 K	2%, 0207, MF	
(01)	C..0004	59.05.2472	4700 P	2.5%, 63V, PP		(00)	R..0023	57.11.3362	3.6 K	1%, 0207, MF	
(00)	C..0005	59.05.2332	3300 P	2.5%, 160V, PP		(00)	R..0024	57.11.3592	3.9 K	1%, 0207, MF	
(01)	C..0005			not connected		(01)	R..0024	57.11.3222	2.2 K	1%, 0207, MF	
(00)	C..0006	59.06.5474	.47 U	.5%, 63V, PETP		(00)	R..0025	57.11.3472	4.7 K	1%, 0207, MF	
(01)	C..0006	59.06.5224	.22 U	.5%, 63V, PETP		(01)	R..0025			not connected	
(00)	C..0021	59.05.2222	2200 P	2.5%, 160V, PP		(00)	R..0026	57.11.3101	100	1%, 0207, MF	
(01)	C..0021	59.05.2682	6800 P	2.5%, 63V, PP		(01)	R..0026	1.010.324.64	0	WIRING BRIDGE	
(00)	C..0024	59.05.2103	.01 U	2.5%, 63V, PP		(00)	R..0029	57.11.3103	10 K	1%, 0207, MF	
(01)	C..0024	59.05.2472	4700 P	2.5%, 63V, PP		(01)	R..0029	57.11.3183	18 K	1%, 0207, MF	
(00)	C..0025	59.05.2332	3300 P	2.5%, 160V, PP		(02)	R..0029	57.11.4223	22 K	2%, 0207, MF	
(01)	C..0025			not connected		(00)	R..0030	57.11.3472	4.7 K	1%, 0207, MF	
(00)	C..0026	59.06.5474	.47 U	.5%, 63V, PETP		(01)	R..0030	57.11.3103	10 K	1%, 0207, MF	
(01)	C..0026	59.06.5224	.22 U	.5%, 63V, PETP		(00)	R..0032	57.11.3222	2.2 K	1%, 0207, MF	
(01)	C..0113	59.05.2102	1000 P	2.5%, 630V, PP		(01)	R..0032	57.11.3102	1 K	1%, 0207, MF	
(01)	C..0213	59.05.2102	1000 P	2.5%, 630V, PP		(02)	R..0032	57.11.4472	4.7 K	2%, 0207, MF	
MP..0001	1.777.550.11			RECORD SPEED BOARD PCB							
MP..0002	1.777.554.01			LABEL							
P..0001	54.01.0223		7 PUL.	STRIP CIS							
P..0002	54.01.0223		7 PUL.	STRIP CIS							
R..0003	57.11.3362		3.6 K	1%, 0207, MF							
(00)	R..0004	57.11.3392	3.9 K	1%, 0207, MF							
(01)	R..0004	57.11.3222	2.2 K	1%, 0207, MF							
(00)	R..0005	57.11.3472	4.7 K	1%, 0207, MF							
(01)	R..0005			not connected							
(00)	R..0006	57.11.3101	100	1%, 0207, MF							
(01)	R..0006	1.010.324.64	0	WIRING BRIDGE							
(00)	R..0009	57.11.3103	10 K	1%, 0207, MF		(01)	15.09.87	Value adjust			
(01)	R..0009	57.11.3183	18 K	1%, 0207, MF		(02)	03.02.88	Value adjust			
(02)	R..0009	57.11.4223	22 K	2%, 0207, MF							
(00)	R..0010	57.11.3472	4.7 K	1%, 0207, MF							
(01)	R..0010	57.11.3103	10 K	1%, 0207, MF							

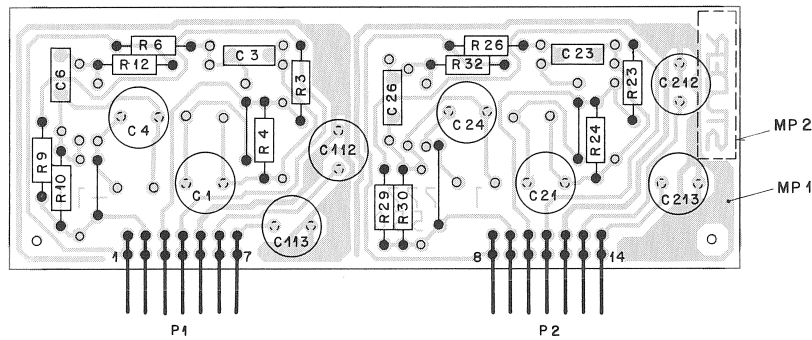
RECORD SPEED BOARD 9.5/19 NAB 1.777.556.00



Note:
Components with no value indication are not installed.

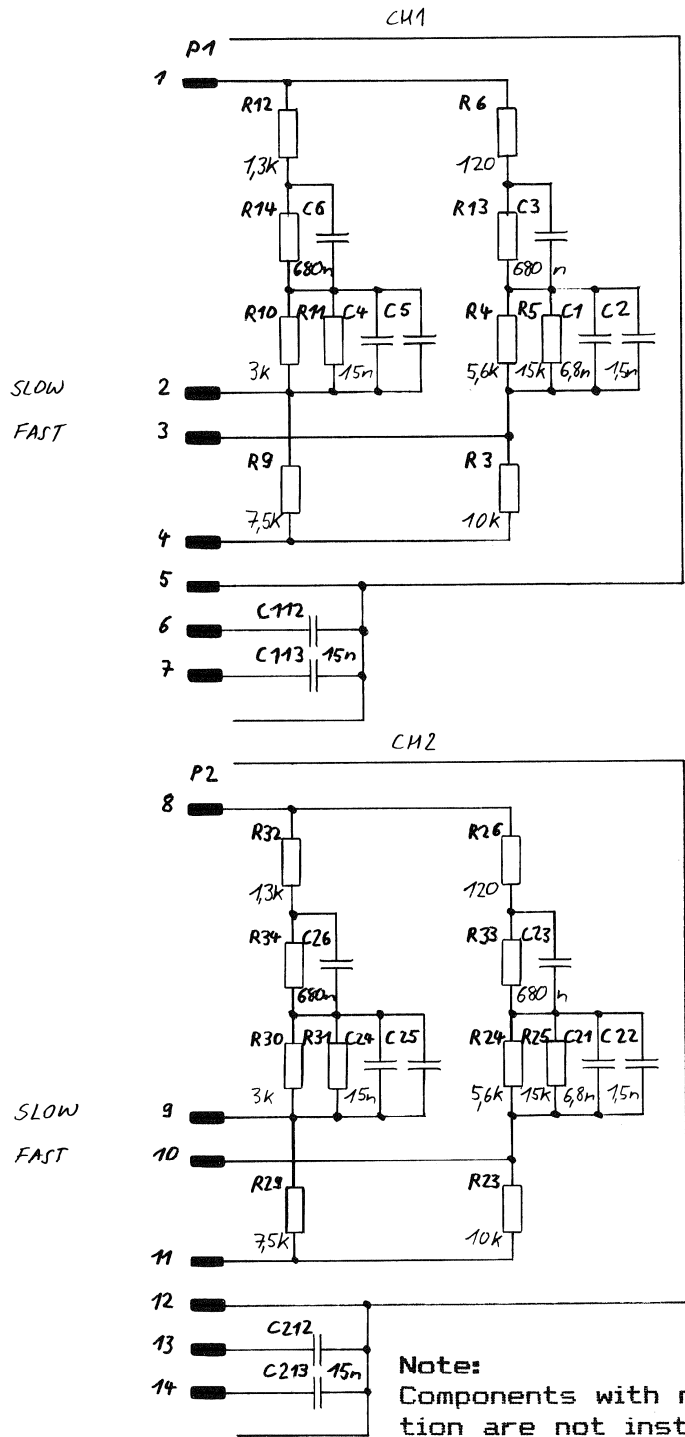
① 23.2.87	② 15.03.87	③ 03.02.88	○ ..	○ ..
C270			PAGE 1 OF 1	
STUDER	RECORD SPEED B.9.5/19 NAB(3,75/7,5)	SC	1.777.556.00	

RECORD SPEED BOARD 9.5/19 NAB 1.777.556.00



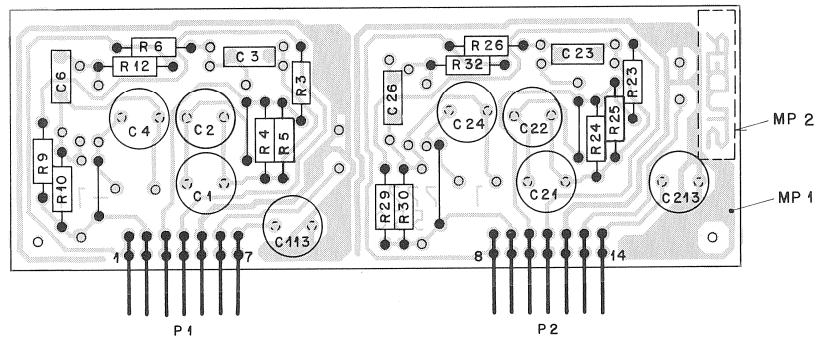
IND.	POS.NO.	PART NO.	VALUE	SPECIFICATIONS / EQUIVALENT	MANUF.	IND.	POS.NO.	PART NO.	VALUE	SPECIFICATIONS / EQUIVALENT	MANUF.
(00)	C..0001	59.05.2682	6800 P	2.5% 63V PP		(00)	R..0004	57.11.3332	3.3 K	1%, 0207, MF	
(01)	C..0001	59.05.2153	+015 U	2.5% 63V PP		(01)	R..0004	57.11.3302	3 K	1%, 0207, MF	
(00)	C..0002	59.05.2682	6800 P	2.5% 63V PP		(00)	R..0006	57.11.3152	1.5 K	1%, 0207, MF	
(01)	C..0002			not connected		(01)	R..0006	57.11.3132	1.3 K	1%, 0207, MF	
(00)	C..0003	59.06.5684	+68 U	5% 50V PETP		(00)	R..0009	57.11.3103	10 K	1%, 0207, MF	
(00)	C..0004	59.05.2103	+01 U	2.5% 63V PP		(01)	R..0009	57.11.3183	18 K	1%, 0207, MF	
(01)	C..0004	59.05.2672	4700 P	2.5% 63V PP		(02)	R..0009	57.11.4223	22 K	2%, 0207, MF	
(03)	C..0005	59.05.2332	3300 P	2.5% 160V PP		(00)	R..0010	57.11.3472	4.7 K	1%, 0207, MF	
(01)	C..0005			not connected		(01)	R..0010	57.11.3103	10 K	1%, 0207, MF	
(00)	C..0006	59.06.5474	+47 U	5% 63V PETP		(00)	R..0012	57.11.3222	2.2 K	1%, 0207, MF	
(01)	C..0006	59.06.5224	+22 U	5% 63V PETP		(01)	R..0012	57.11.3102	1 K	1%, 0207, MF	
(00)	C..0021	59.05.2682	6800 P	2.5% 63V PP		(02)	R..0012	57.11.4472	4.7 K	2%, 0207, MF	
(01)	C..0021	59.05.2153	+015 U	2.5% 63V PP		(00)	R..0023	57.11.3822	8.2 K	1%, 0207, MF	
(00)	C..0022	59.05.2682	6800 P	2.5% 63V PP		(01)	R..0023	57.11.3752	7.5 K	1%, 0207, MF	
(01)	C..0022			not connected		(00)	R..0024	57.11.3332	3.3 K	1%, 0207, MF	
(00)	C..0023	59.06.5684	+68 U	5% 50V PETP		(01)	R..0024	57.11.3302	3 K	1%, 0207, MF	
(00)	C..0024	59.05.2103	+01 U	2.5% 63V PP		(00)	R..0026	57.11.3152	1.5 K	1%, 0207, MF	
(01)	C..0024	59.05.2672	4700 P	2.5% 63V PP		(01)	R..0026	57.11.3132	1.3 K	1%, 0207, MF	
(00)	C..0025	59.05.2332	3300 P	2.5% 160V PP		(00)	R..0029	57.11.3103	10 K	1%, 0207, MF	
(01)	C..0025			not connected		(01)	R..0029	57.11.3183	18 K	1%, 0207, MF	
(00)	C..0026	59.06.5474	+47 U	5% 63V PETP		(02)	R..0029	57.11.4223	22 K	2%, 0207, MF	
(01)	C..0026	59.06.5224	+22 U	5% 63V PETP		(00)	R..0030	57.11.3472	4.7 K	1%, 0207, MF	
(00)	C..0112	59.05.2153	+015 U	2.5% 63V PP		(01)	R..0030	57.11.3103	10 K	1%, 0207, MF	
(00)	C..0113	59.05.2103	+015 U	2.5% 63V PP		(00)	R..0032	57.11.3222	2.2 K	1%, 0207, MF	
(01)	C..0113	59.05.2102	1000 P	2.5% 630V PP		(01)	R..0032	57.11.3102	1 K	1%, 0207, MF	
(00)	C..0212	59.05.2153	+015 U	2.5% 63V PP		(02)	R..0032	57.11.4472	4.7 K	2%, 0207, MF	
(00)	C..0213	59.05.2153	+015 U	2.5% 63V PP							
(01)	C..0213	59.05.2102	1000 P	2.5% 630V PP							
MP..0001	1.777.550.11			RECORD SPEED BOARD PCB							
MP..0002	1.777.556.01			LABEL							
P..0001	54.01.0223	7 PDL		STRIP C15		(01)	15.09.67	Value adjust			
P..0002	54.01.0223	7 PDL		STRIP C15		(02)	03.02.68	Value adjust			
(00)	R..0003	57.11.3822	8.2 K	1%, 0207, MF		ORIG 86/09/16	(01) 87/09/15	(02) 88/02/03			
(01)	R..0003	57.11.3752	7.5 K	1%, 0207, MF							

RECORD SPEED BOARD 19/38 NAB 1.777.558.00



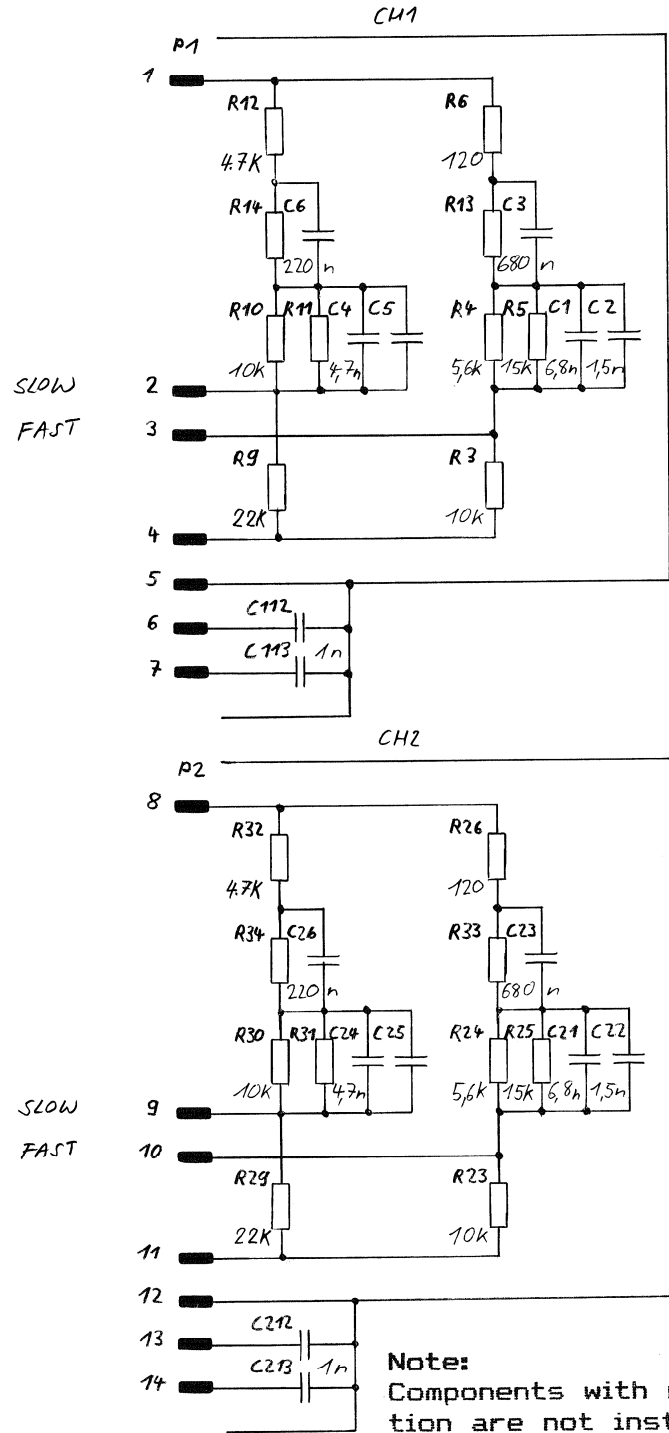
① 232.872 E.A.	① 15.0987 E. K. ...	○ ..	○ ..	○ ..
C270				PAGE 1 OF 1
STUDER	RECORD SPEED B. 19/38 NAB (7,5/15)	SC	1.777.558.00	

RECORD SPEED BOARD 19/38 NAB 1.777.558.00



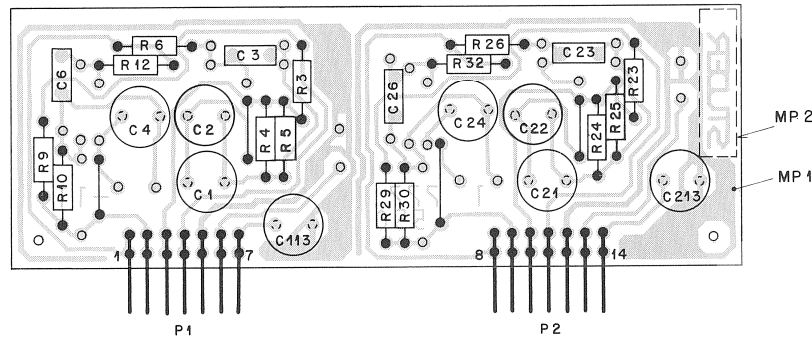
IND.	POS.NO.	PART NO.	VALUE	SPECIFICATIONS / EQUIVALENT	MANUF.	IND.	POS.NO.	PART NO.	VALUE	SPECIFICATIONS / EQUIVALENT	MANUF.
(00)	C..0001	59.05.2103	.01 U	2.5%	63V + PP	(01)	R..0009	57.11.3752	7.5 K	1%, 0207 + MF	
(01)	C..0001	59.05.2682	6800 P	2.5%	63V + PP	(00)	R..0010	57.11.3332	3.3 K	1%, 0207 + MF	
(01)	C..0002	59.05.2152	1500 P	2.5%	160V + PP	(01)	R..0010	57.11.3302	3 K	1%, 0207 + MF	
(00)	C..0003	59.06.5105	1 U	5%	50V + PETP	(00)	R..0012	57.11.3152	1.5 K	1%, 0207 + MF	
(01)	C..0003	59.06.5684	.68 U	5%	50V + PETP	(01)	R..0012	57.11.3132	1.3 K	1%, 0207 + MF	
(00)	C..0004	59.05.2682	6800 P	2.5%	63V + PP	(00)	R..0023	57.11.3822	8.2 K	1%, 0207 + MF	
(01)	C..0004	59.05.2153	.015 U	2.5%	63V + PP	(01)	R..0023	57.11.3103	10 K	1%, 0207 + MF	
(00)	C..0005	59.05.2682	6800 P	2.5%	63V + PP	(00)	R..0024	57.11.3332	3.3 K	1%, 0207 + MF	
(01)	C..0005				not connected	(01)	R..0024	57.11.3562	5.6 K	1%, 0207 + MF	
(00)	C..0006	59.06.5684	.68 U	5%	50V + PETP	(01)	R..0025	57.11.3153	15 K	1%, 0207 + MF	
(01)	C..0021	59.05.2103	.01 U	2.5%	63V + PP	(00)	R..0026	57.11.3101	100	1%, 0207 + MF	
(01)	C..0021	59.05.2682	6800 P	2.5%	63V + PP	(01)	R..0026	57.11.3121	120	1%, 0207 + MF	
(01)	C..0022	59.05.2152	1500 P	2.5%	160V + PP	(00)	R..0029	57.11.3822	8.2 K	1%, 0207 + MF	
(00)	C..0023	59.06.5105	1 U	5%	50V + PETP	(01)	R..0029	57.11.3752	7.5 K	1%, 0207 + MF	
(01)	C..0023	59.06.5684	.68 U	5%	50V + PETP	(00)	R..0030	57.11.3332	3.3 K	1%, 0207 + MF	
(00)	C..0024	59.05.2682	6800 P	2.5%	63V + PP	(01)	R..0030	57.11.3302	3 K	1%, 0207 + MF	
(01)	C..0024	59.05.2153	.015 U	2.5%	63V + PP	(00)	R..0032	57.11.3152	1.5 K	1%, 0207 + MF	
(00)	C..0025	59.05.2682	6800 P	2.5%	63V + PP	(01)	R..0032	57.11.3132	1.3 K	1%, 0207 + MF	
(01)	C..0025				not connected						
	C..0026	59.06.5684	.68 U	5%	50V + PETP						
	C..0113	59.05.2153	.015 U	2.5%	63V + PP						
	C..0213	59.05.2153	.015 U	2.5%	63V + PP						
	MP.0001	1.777.550.11			RECORD SPEED BOARD PCB LABEL						
	MP.0002	1.777.558.01			RECORD SPEED BOARD PCB LABEL						
	P..0001	94.01.0223	7 PUL.		SIRIP L15						
	P..0002	94.01.0223	7 PUL.		STRIP C15						
(00)	R..0003	57.11.3822	8.2 K	1%	0207 + MF						
(01)	R..0003	57.11.3103	10 K	1%	0207 + MF						
(00)	R..0004	57.11.3332	3.3 K	1%	0207 + MF						
(01)	R..0004	57.11.3562	5.6 K	1%	0207 + MF						
(01)	R..0005	57.11.3153	15 K	1%	0207 + MF						
(00)	R..0006	57.11.3101	100	1%	0207 + MF						
(01)	R..0006	57.11.3121	120	1%	0207 + MF						
(00)	R..0009	57.11.3822	8.2 K	1%	0207 + MF						
					(01) 15.09.87 VALUE ADJUST						
					ORIG 86/09/16 (01) 87/09/15						

RECORD SPEED BOARD 9.5/38 NAB 1.777.559.00



① 23.2.873	① 15.09.87 E. Bismarck	② 03.02.88	○ ..	○ ..
C270			PAGE 1 OF 1	
STUDER	RECORD SPEED B. 9.5 / 38 NAB(3,75/15) SC	1.777.559.00		

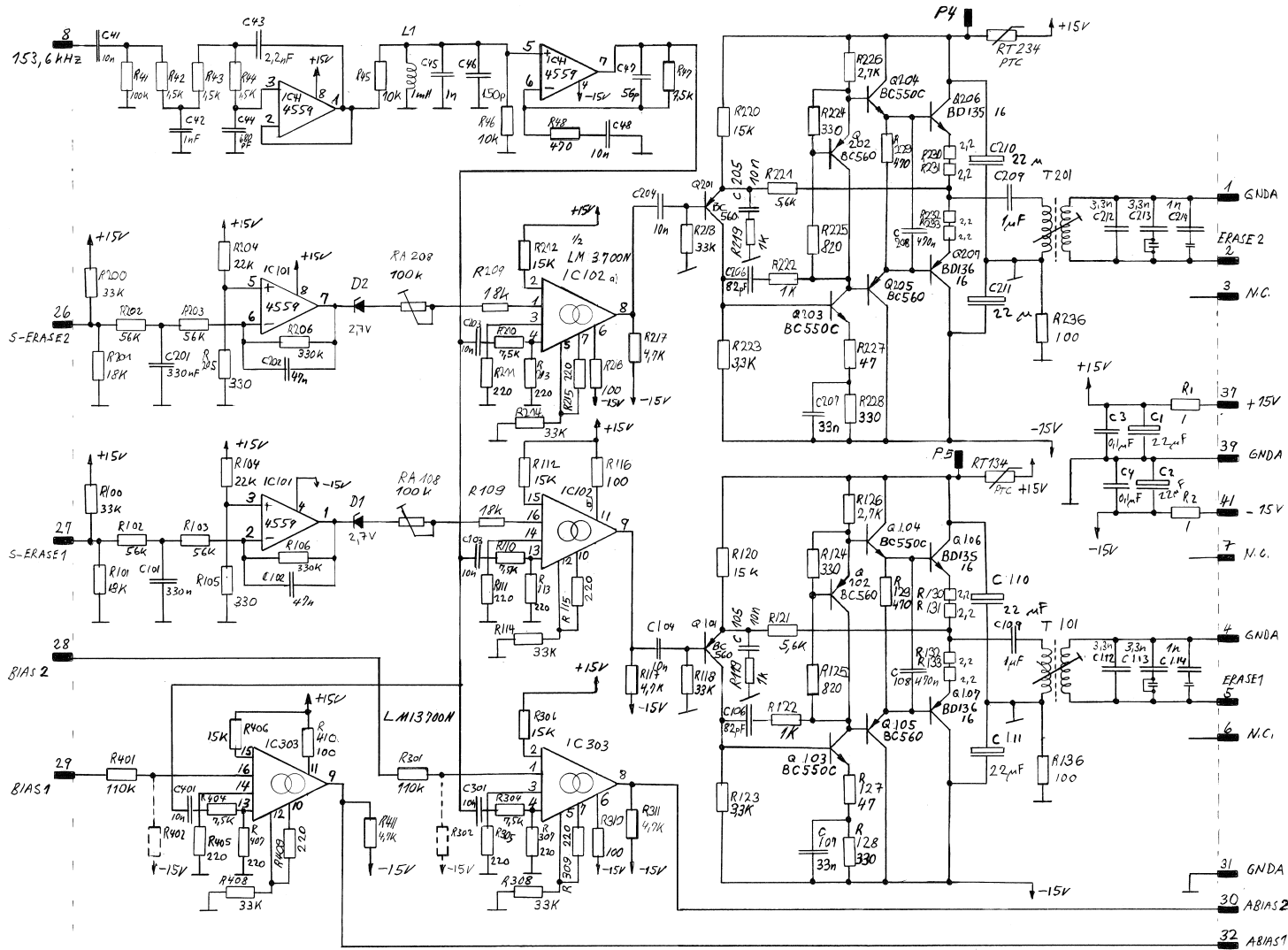
RECORD SPEED BOARD 9.5/38 NAB 1.777.559.00



IND.	POS.NO.	PART NO.	VALUE	SPECIFICATIONS / EQUIVALENT	MANUF.	IND.	POS.NO.	PART NO.	VALUE	SPECIFICATIONS / EQUIVALENT	MANUF.
(00)	C..0001	59.05.2103	+01 U	2.5% 63V PP		(01)	R..0005	57.11.3153	15 K	1%, 0207 + MF	
(01)	C..0001	59.05.2682	6800 P	2.5% 63V PP		(00)	R..0006	57.11.3101	100	1%, 0207 + MF	
(01)	C..0002	59.05.2152	1500 P	2.5% 160V PP		(01)	R..0006	57.11.3121	120	1%, 0207 + MF	
(00)	C..0003	59.06.5105	1 U	5% 50V PETP		(00)	R..0009	57.11.3103	10 K	1%, 0207 + MF	
(01)	C..0003	59.06.5684	+68 U	5% 50V PETP		(01)	R..0009	57.11.3183	18 K	1%, 0207 + MF	
(00)	C..0004	59.05.2103	+01 U	2.5% 63V PP		(02)	R..0009	57.11.4223	22 K	2%, 0207 + MF	
(01)	C..0004	59.05.2472	4700 P	2.5% 63V PP		(00)	R..0010	57.11.3472	4.7 K	1%, 0207 + MF	
(00)	C..0005	59.05.2332	3300 P	2.5% 160V PP		(01)	R..0010	57.11.3103	10 K	1%, 0207 + MF	
(01)	C..0005	59.05.2472	4700 P	2.5% 63V PP		(00)	R..0012	57.11.3222	2.2 K	1%, 0207 + MF	
(00)	C..0006	59.06.5474	+47 U	5% 63V PETP		(01)	R..0012	57.11.3102	1 K	1%, 0207 + MF	
(01)	C..0006	59.06.5224	+22 U	5% 63V PETP		(02)	R..0012	57.11.4472	4.7 K	2%, 0207 + MF	
(00)	C..0021	59.05.2103	+01 U	2.5% 63V PP		(00)	R..0023	57.11.3022	0.2 K	1%, 0207 + MF	
(01)	C..0021	59.05.2682	6800 P	2.5% 63V PP		(01)	R..0023	57.11.3103	10 K	1%, 0207 + MF	
(01)	C..0022	59.05.2152	1500 P	2.5% 63V PP		(00)	R..0024	57.11.3332	3.3 K	1%, 0207 + MF	
(00)	C..0023	59.06.5105	1 U	5% 50V PETP		(01)	R..0024	57.11.3562	5.6 K	1%, 0207 + MF	
(01)	C..0023	59.06.5684	+68 U	5% 50V PETP		(01)	R..0025	57.11.3153	15 K	1%, 0207 + MF	
(00)	C..0024	59.05.2103	+01 U	2.5% 63V PP		(00)	R..0026	57.11.3101	100	1%, 0207 + MF	
(01)	C..0024	59.05.2472	4700 P	2.5% 63V PP		(01)	R..0026	57.11.3121	120	1%, 0207 + MF	
(00)	C..0025	59.05.2332	3300 P	2.5% 160V PP		(00)	R..0029	57.11.3103	10 K	1%, 0207 + MF	
(01)	C..0025	59.05.2472	4700 P	2.5% 63V PP		(01)	R..0029	57.11.3183	18 K	1%, 0207 + MF	
(00)	C..0026	59.06.5474	+47 U	5% 63V PETP		(02)	R..0029	57.11.4223	22 K	2%, 0207 + MF	
(01)	C..0026	59.06.5224	+22 U	5% 63V PETP		(00)	R..0030	57.11.3472	4.7 K	1%, 0207 + MF	
(00)	C..0113	59.05.2153	+015 U	2.5% 63V PP		(01)	R..0030	57.11.3103	10 K	1%, 0207 + MF	
(01)	C..0113	59.05.2102	1000 P	2.5% 630V PP		(00)	R..0032	57.11.3222	2.2 K	1%, 0207 + MF	
(00)	C..0213	59.05.2153	+015 U	2.5% 63V PP		(01)	R..0032	57.11.3102	1 K	1%, 0207 + MF	
(01)	C..0213	59.05.2102	1000 P	2.5% 630V PP		(02)	R..0032	57.11.4472	4.7 K	2%, 0207 + MF	

MP.0001	1.777.550.11	RECORD SPEED BOARD PCB		
MP.0002	1.777.559.01	LABEL		
P..0001	54.01.0223	7 PDL STRIP CIS		
P..0002	54.01.0223	7 PDL STRIP CIS		
(00)	R..0003	57.11.3822	8.2 K	1%, 0207 + MF
(01)	R..0003	57.11.3103	10 K	1%, 0207 + MF
(00)	R..0004	57.11.3332	3.3 K	1%, 0207 + MF
(01)	R..0004	57.11.3562	5.6 K	1%, 0207 + MF
(01)	15.0%-87	Value adjust		
(02)	03.02-88	Value adjust		
ORIG 86/09/16	(01) 87/09/15	(02) 88/02/03		

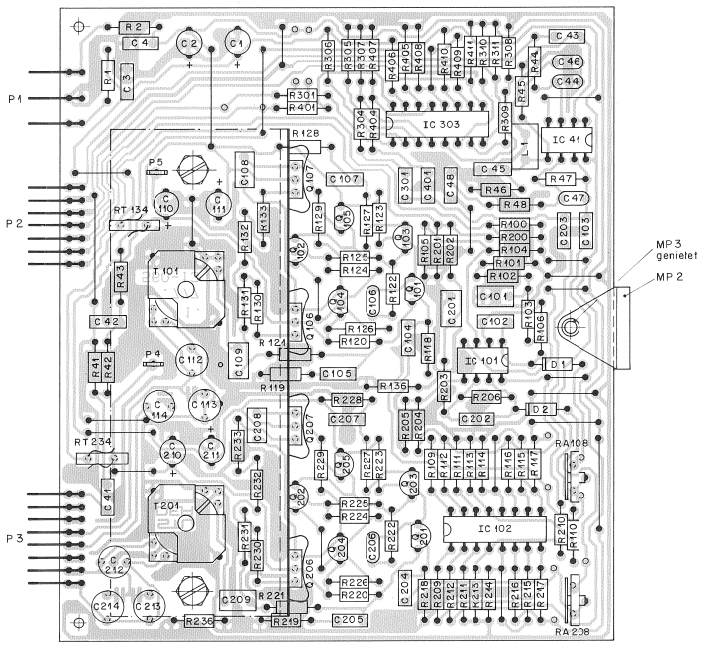
ERASE AMPLIFIER BOARD 1.777.560.81



© 20.2.89 J.M.E.M.
 C270
 STUDER
 ERASE AMPLIFIER BOARD
 "ESE" SC 1.777.560.81
 PAGE 1 OF 1



ERASE AMPLIFIER BOARD 1.777.560.81



IND.	POS.NO.	PART NO.	VALUE	SPECIFICATIONS / EQUIVALENT	MANUF.
C#0001	59.22.5220	22 U	-201	25W + EL	
C#0002	59.22.5220	22 U	-201	25W + EL	
C#0003	59.06.9104	1 U	101	63V + PTEP	
C#0004	59.06.9104	1 U	101	63V + PTEP	
C#0041	59.06.9103	.01 U	51	63V + PTEP	
C#0042	59.06.9102	1000 P	51	63V + PTEP	
C#0043	59.06.9122	2200 P	51	63V + PTEP	
C#0044	59.22.2241	800 P	51	63V + PTEP	
C#0045	59.06.9102	1000 P	51	63V + PTEP	
C#0046	59.24.4451	150	51	NF50 CER	
C#0047	59.24.4460	56 P	51	NF50 CER	
C#0048	59.06.9103	.01 U	101	63V + PTEP	
C#0101	59.06.9104	.33 U	51	63V + PTEP	
C#0102	59.06.9173	.007 U	101	63V + PTEP	
C#0103	59.06.9103	.01 U	101	63V + PTEP	
C#0104	59.06.9103	.01 U	101	63V + PTEP	
C#0105	59.06.9103	.01 U	101	63V + PTEP	
C#0106	59.24.4220	82 P	51	NF50 CER	
C#0107	59.06.9103	.033 U	101	63V + PTEP	
C#0108	59.06.9174	.47 U	101	63V + PTEP	
C#0109	59.06.9105	1.0 U	101	50V + PTEP	
C#0110	59.22.5220	22 U	-201	25W + EL	
C#0111	59.22.5220	22 U	-201	25W + EL	
C#0112	59.05.1132	3300 P	11	63V + PTEP	
C#0113	59.06.9104	.33 U	101	63V + PTEP	
C#0114	59.05.1102	1000 P	11	63V + PTEP	
C#0201	59.06.9104	.33 U	51	63V + PTEP	
C#0202	59.06.9173	.007 U	51	63V + PTEP	
C#0203	59.06.9103	.01 U	101	63V + PTEP	
C#0204	59.06.9103	.01 U	101	63V + PTEP	
C#0205	59.06.9103	.033 U	101	63V + PTEP	
C#0206	59.06.9174	.47 U	101	63V + PTEP	
C#0207	59.06.9103	.033 U	101	63V + PTEP	
C#0208	59.06.9174	.47 U	101	63V + PTEP	
C#0209	59.06.9105	1.0 U	101	50V + PTEP	
C#0210	59.22.5220	22 U	-201	25W + EL	
C#0211	59.22.5220	22 U	-201	25W + EL	

S T U D E R (02) 87/11/15 ERASE AMPLIFIER BOARD A 1.777.560.00 PAGE 1

IND.	POS.NO.	PART NO.	VALUE	SPECIFICATIONS / EQUIVALENT	MANUF.
R#0117	57.11.4472	4.7 K	25	0207 + MF	
R#0118	57.11.4333	33 K	25	0207 + MF	
R#0119	57.11.4102	1 K	25	0207 + MF	
R#0120	57.11.4103	1 K	25	0207 + MF	
R#0121	57.11.4562	5.6 K	25	0207 + MF	
R#0122	57.11.4331	330	25	0207 + MF	
R#0123	57.11.4332	3.3 K	25	0207 + MF	
R#0124	57.11.4331	330	25	0207 + MF	
R#0125	57.11.4921	920	25	0207 + MF	
R#0126	57.11.4272	2.7 K	25	0207 + MF	
R#0127	57.11.4470	4.7	25	0207 + MF	
R#0128	57.11.4331	330	25	0207 + MF	
R#0129	57.11.4471	4.70	25	0207 + MF	
R#0130	57.11.4229	2.2	25	0207 + MF	
R#0131	57.11.4229	2.2	25	0207 + MF	
R#0132	57.11.4229	2.2	25	0207 + MF	
R#0133	57.11.4229	2.2	25	0207 + MF	
R#0134	57.11.4229	2.2	100	0207 + MF	
R#0200	57.11.4333	33 K	25	0207 + MF	
R#0201	57.11.4563	56 K	25	0207 + MF	
R#0202	57.11.4563	56 K	25	0207 + MF	
R#0203	57.11.4563	56 K	25	0207 + MF	
R#0204	57.11.4563	56 K	25	0207 + MF	
R#0205	57.11.4563	56 K	25	0207 + MF	
R#0206	57.11.4563	56 K	25	0207 + MF	
R#0207	57.11.4563	56 K	25	0207 + MF	
R#0208	57.11.4563	56 K	25	0207 + MF	
R#0209	57.11.4563	56 K	25	0207 + MF	
R#0210	57.11.3752	7.5 K	15	0207 + MF	
R#0211	57.11.4221	220	25	0207 + MF	
R#0212	57.11.4153	15 K	25	0207 + MF	
R#0213	57.11.4221	220	25	0207 + MF	
R#0214	57.11.4333	330	25	0207 + MF	
R#0215	57.11.4221	220	25	0207 + MF	
R#0216	57.11.4101	100	25	0207 + MF	
R#0217	57.11.4471	4.7	25	0207 + MF	
R#0218	57.11.4103	3.3 K	25	0207 + MF	
R#0219	57.11.4101	1	25	0207 + MF	
R#0220	57.11.4101	1	25	0207 + MF	

S T U D E R (02) 87/11/15 ERASE AMPLIFIER BOARD A 1.777.560.00 PAGE 4

IND.	POS.NO.	PART NO.	VALUE	SPECIFICATIONS / EQUIVALENT	MANUF.
C#0312	59.05.1132	3300 P	11	63V + PTEP	
C#0313	59.05.1132	3300 P	11	63V + PTEP	
L#0314	59.05.1132	1000 P	11	63V + PTEP	
C#0315	59.06.9103	.01 U	101	63V + PTEP	
L#0316	59.06.9103	.01 U	101	63V + PTEP	
U#0001	50.04.1105	2.7 V	51	+V90 + Z	
U#0002	50.04.1105	2.7 V	51	+V90 + Z	
IC#0041	50.39.0107		IC 555 ND	UPE 4559	RAJNEC
IC#0101	50.39.0107		IC 555 ND	UPE 4559	RAJNEC
IC#0102	50.39.0107		LM 3700 ND	VE 5917 N	Not+Stig
IC#0103	50.39.0107		LM 3700 ND	VE 5917 N	Not+Stig
L#0001	62.02.3102	1 M	101	K40, N° 5	

S T U D E R (03) 89/12/06 ERASE AMPLIFIER BOARD A PL 1.777.560.00 PAGE 2

IND.	POS.NO.	PART NO.	VALUE	SPECIFICATIONS / EQUIVALENT	MANUF.
R#0221	57.11.4562	5.6 K	25	0207 + MF	
R#0222	57.11.4102	1 K	25	0207 + MF	
R#0223	57.11.4332	3.3 K	25	0207 + MF	
R#0224	57.11.4331	330	25	0207 + MF	
R#0225	57.11.4921	920	25	0207 + MF	
R#0226	57.11.4272	2.7 K	25	0207 + MF	
R#0227	57.11.4470	4.7	25	0207 + MF	
R#0228	57.11.4331	330	25	0207 + MF	
R#0229	57.11.4471	4.70	25	0207 + MF	
R#0230	57.11.4229	2.2	25	0207 + MF	
R#0231	57.11.4229	2.2	25	0207 + MF	
R#0232	57.11.4229	2.2	25	0207 + MF	
R#0233	57.11.4229	2.2	25	0207 + MF	
R#0234	57.11.4101	100	25	0207 + MF	
R#0235	57.11.4101	100	25	0207 + MF	
R#0236	57.11.3752	7.5 K	15	0207 + MF	
R#0300	57.11.4153	15 K	25	0207 + MF	
R#0301	57.11.4221	220	25	0207 + MF	
R#0302	57.11.4333	330	25	0207 + MF	
R#0303	57.11.4221	220	25	0207 + MF	
R#0304	57.11.4101	100	25	0207 + MF	
R#0305	57.11.4221	220	25	0207 + MF	
R#0306	57.11.4101	100	25	0207 + MF	
R#0307	57.11.4221	220	25	0207 + MF	
R#0308	57.11.4101	100	25	0207 + MF	
R#0309	57.11.4221	220	25	0207 + MF	
R#0310	57.11.4101	100	25	0207 + MF	
R#0311	57.11.4472	4.7 K	25	0207 + MF	
R#0312	57.11.3114	110 K	15	0207 + MF	
R#0400	57.11.3752	7.5 K	15	0207 + MF	
R#0401	57.11.4221	220	25	0207 + MF	
R#0402	57.11.4221	220	25	0207 + MF	
R#0403	57.11.4221	220	25	0207 + MF	
R#0404	57.11.4221	220	25	0207 + MF	
R#0405	57.11.4221	220	25	0207 + MF	
R#0406	57.11.4221	220	25	0207 + MF	
R#0407	57.11.4221	220	25	0207 + MF	
R#0408	57.11.4221	220	25	0207 + MF	
R#0409	57.11.4101	100	25	0207 + MF	
R#0410	57.11.4101	100	25	0207 + MF	
R#0411	57.11.4472	4.7 K	25	0207 + MF	

S T U D E R (02) 87/11/15 ERASE AMPLIFIER BOARD A 1.777.560.00 PAGE 5

IND.	POS.NO.	PART NO.	VALUE	SPECIFICATIONS / EQUIVALENT	MANUF.
U#0104	50.03.0407		IC 555 C	(ER 109 C)	Stepph
U#0105	50.03.0406		80	135-16	Ph-SS54to
U#0106	50.03.0406		80	135-16	Ph-SS54to
U#0107	50.03.0410		80	135-16	Ph-SS54to
U#0108	50.03.0407		80	135-16	Ph-SS54to
U#0109	50.03.0406		80	135-16	Ph-SS54to
U#0110	50.03.0407		80	135-16	Ph-SS54to
U#0111	50.03.0406		80	135-16	Ph-SS54to
U#0112	50.03.0407		80	135-16	Ph-SS54to
U#0113	50.03.0406		80	135-16	Ph-SS54to
U#0114	50.03.0407		80	135-16	Ph-SS54to
U#0115	50.03.0406		80	135-16	Ph-SS54to
U#0116	50.03.0407		80	135-16	Ph-SS54to
U#0117	50.03.0406		80	135-16	Ph-SS54to
U#0118	50.03.0407		80	135-16	Ph-SS54to
U#0119	50.03.0406		80	135-16	Ph-SS54to
U#0120	50.03.0407		80	135-16	Ph-SS54to
U#0121	50.03.0406		80	135-16	Ph-SS54to
U#0122	50.03.0407		80	135-16	Ph-SS54to

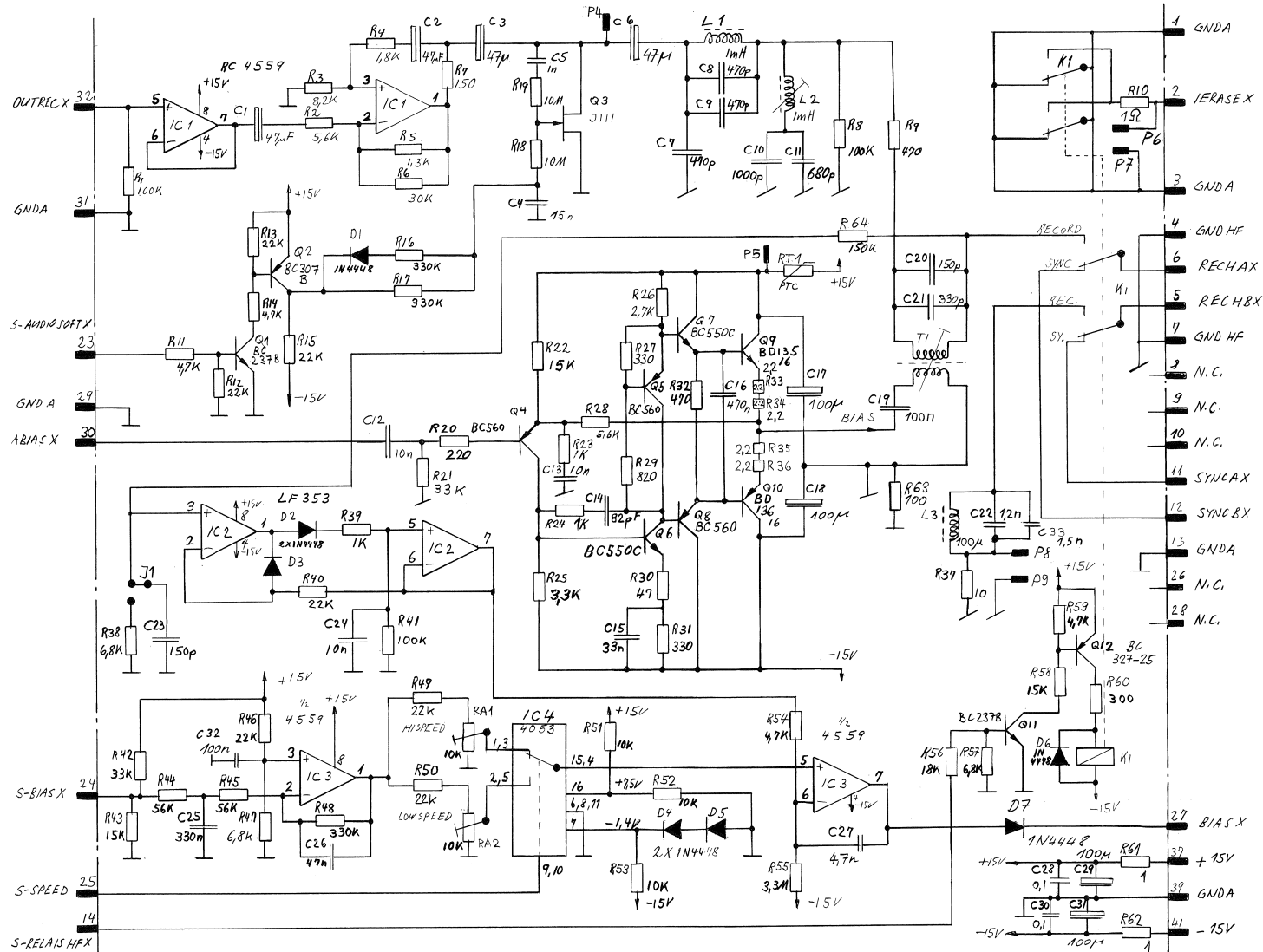
S T U D E R (02) 87/11/15 ERASE AMPLIFIER BOARD A 1.777.560.00 PAGE 3

IND.	POS.NO.	PART NO.	VALUE	SPECIFICATIONS / EQUIVALENT	MANUF.
R#0108	59.02.4104	100 K	20X	.1 W + PESCH	
R#0109	59.02.4104	100 K	20X	.1 W + PESCH	
R#0110	57.92.1181	180 Oh	30V	PFC	
R#0111	57.92.1181	180 Oh	30V	PFC	
T#0101	1.022.001.00			ERASE TRANSFORMER	St
T#0102	1.022.001.00			ERASE TRANSFORMER	St

S T U D E R (03) 89/12/06 ERASE AMPLIFIER BOARD A PL 1.777.560.00 PAGE 6

(01) 12.01.87 Value adjust
(02) 01.11.87 PCB Review
(03) 01.12.87 PCB Review
MANUFACTURER: AMPAMP: ENC 009, MHD, D01, G10, 100, 400, 800, 1600, 3200, 6400, 12800, 25600, 51200, 102400, 204800, 409600, 819200, 1638400, 3276800, 6553600, 13107200, 26214400, 52428800, 104857600, 209715200, 419430400, 838860800, 1677721600, 3355443200, 6710886400, 13421772800, 26843545600, 53687091200, 107374182400, 214748364800, 429496729600, 858993459200, 1717986918400, 3435973836800, 6871947673600, 13743895347200, 27487790694400, 54975581388800, 109951162777600, 219902325555200, 439804651110400, 879609302220800, 175921864441600, 351843728883200, 703687457766400, 1407374915532800, 2814749831065600, 5629499662131200, 11258999324262400, 22517998648524800, 45035997297049600, 90071994594099200, 180143989188198400, 360287978376396800, 720575956752793600, 1441151913525587200, 2882303827051174400, 5764607654102348800, 11529215308204697600, 23058430616409395200, 46116861232818790400, 92233722465637580800, 184467444931275161600, 368934889862550323200, 737869779725100646400, 1475739559450201292800, 2951479118900402585600, 5902958237800805171200, 11805916475601610342400, 23611832951203220684800, 47223665902406441369600, 94447331804812882739200, 188894663609625765478400, 377789327219251530956800, 7555786544385030619174400, 15111573088770061237836800, 30223146177540124755673600, 60446292355080249511347200, 120892584710160499026694400, 241785169420320998053388800, 483570338840641996106777600, 967140677601283992213555200, 19342813552025679844271110400, 38685627104

BIAS CONTROL BOARD 1.777.570.81



Notes:
 Emitter Q1 connects to GND HF 1.777.570.00 to reduce record clicks change R63 to 1 ohm. On board 1.777.570.00 emitter Q1 is on GND A resistor R63 is 100 ohms.

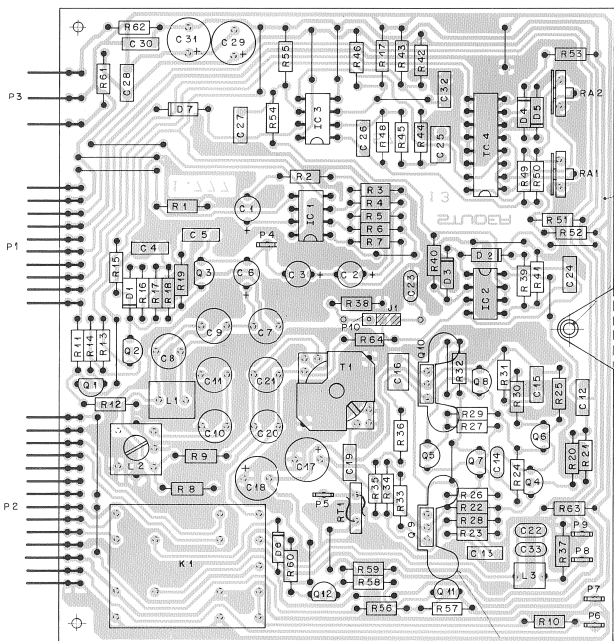
© 20.2.89 J.M.E.K. C270 BIAS CONTROL BOARD "ESE" SC 1.777.570.81

PAGE 1 OF 1

STUDER



BIAS CONTROL BOARD 1.777.570.81



IND.	POS. NO.	PART NO.	VALUE	SPECIFICATIONS / EQUIVALENT	MANUF.
C	0001	59-22-3670	47 U	-20%, 10V + EL	
C	0002	59-22-3670	47 U	-20%, 10V + EL	
C	0003	59-22-3670	47 U	-20%, 10V + EL	
C	0004	59-06-0104	+1	15%, 63V + PEP	
C	0005	59-06-0153	+0.015 U	15%, 63V + PEP	
C	0006	59-06-0107	1000 P	15%, 63V + PEP	
C	0007	59-22-3670	47 U	-20%, 10V + EL	
C	0008	59-05-2611	470 P	2.5%, 630V + PP	
C	0009	59-05-2611	470 P	2.5%, 630V + PP	
C	0010	59-05-2102	1000 P	2.5%, 630V + PP	
C	0011	59-05-2041	680 P	2.5%, 630V + PP	
C	0012	59-05-2611	470 P	2.5%, 630V + PP	
C	0013	59-06-0103	-0.1 U	10%, 63V + PEP	
C	0014	59-34-0010	82 P	10%, 63V + CER	
C	0015	59-06-0133	+0.13 U	10%, 63V + PEP	
C	0016	59-06-0136	+0.17 U	10%, 63V + PEP	
C	0017	59-22-5101	100 U	-20%, 25V + EL	
C	0018	59-22-5101	100 U	-20%, 25V + EL	
C	0019	59-06-0105	1.0 U	10%, 50V + PEP	
C	0020	59-05-2151	150 P	2.5%, 630V + PP	
C	0021	59-05-2381	330 P	4.5%, 630V + PP	
C	0022	59-34-6771	270 P	5%, 750 + CER	
C	0023	59-34-6772	162 P	5%, 750 + CER	
C	0024	59-34-6151	150 P	5%, 750 + CER	
C	0025	59-06-0103	-0.1 U	10%, 63V + PEP	
C	0026	59-06-0136	+0.17 U	10%, 63V + PEP	
C	0027	59-06-0172	470 P	10%, 63V + PEP	
C	0028	59-06-0108	+0.1 U	10%, 63V + PEP	
C	0029	59-22-5101	100 U	-20%, 25V + EL	
C	0030	59-06-0108	+0.1 U	10%, 63V + PEP	
C	0031	59-22-5101	100 U	-20%, 25V + EL	
C	0032	59-06-0104	-0.1 U	10%, 63V + PEP	
C	0033	59-06-0104	-0.1 U	10%, 63V + PEP	
not connected					

STUDER (05) 88/06/11 BIAS-CONTROL-BOARD A 1.777.570.00 PAGE 1

IND.	POS. NO.	PART NO.	VALUE	SPECIFICATIONS / EQUIVALENT	MANUF.
R	0021	57-11-4133	33 K	2%, 0207 + MF	
R	0022	57-11-4153	15 K	2%, 0207 + MF	
R	0023	57-11-4102	1 K	2%, 0207 + MF	
R	0024	57-11-4102	1 K	2%, 0207 + MF	
R	0025	57-11-4332	3.3 K	2%, 0207 + MF	
R	0026	57-11-4072	2.7 K	2%, 0207 + MF	
R	0027	57-11-4331	330	2%, 0207 + MF	
R	0028	57-11-4062	5.6 K	2%, 0207 + MF	
R	0029	57-11-4021	620	2%, 0207 + MF	
R	0030	57-11-4070	47	2%, 0207 + MF	
R	0031	57-11-4331	330	2%, 0207 + MF	
R	0032	57-11-4070	47	2%, 0207 + MF	
R	0033	57-11-4229	2.2	2%, 0207 + MF	
R	0034	57-11-4229	2.2	2%, 0207 + MF	
R	0035	57-11-4229	2.2	2%, 0207 + MF	
R	0036	57-11-4229	2.2	2%, 0207 + MF	
R	0037	57-11-4100	10	2%, 0207 + MF	
R	0038	57-11-4062	6.8 K	2%, 0207 + MF	
R	0039	57-11-4100	10	2%, 0207 + MF	
R	0040	57-11-4104	100 K	2%, 0207 + MF	
R	0041	57-11-4104	100 K	2%, 0207 + MF	
R	0042	57-11-4153	15 K	2%, 0207 + MF	
R	0043	57-11-4153	15 K	2%, 0207 + MF	
R	0044	57-11-4153	15 K	2%, 0207 + MF	
R	0045	57-11-4153	15 K	2%, 0207 + MF	
R	0046	57-11-4332	330	2%, 0207 + MF	
R	0047	57-11-4062	6.8 K	2%, 0207 + MF	
R	0048	57-11-4336	330	2%, 0207 + MF	
R	0049	57-11-4223	22 K	2%, 0207 + MF	
R	0050	57-11-4223	22 K	2%, 0207 + MF	
R	0051	57-11-4103	10 K	2%, 0207 + MF	
R	0052	57-11-4103	10 K	2%, 0207 + MF	
R	0053	57-11-4103	10 K	2%, 0207 + MF	
R	0054	57-11-4072	4.7 K	2%, 0207 + MF	
R	0055	57-11-5335	3.3 M	5%, 0207 + MF	
R	0056	57-11-4153	15 K	2%, 0207 + MF	
R	0057	57-11-4062	6.8 K	2%, 0207 + MF	

STUDER (05) 88/06/18 BIAS-CONTROL-BOARD A 1.777.570.00 PAGE 4

IND.	POS. NO.	PART NO.	VALUE	SPECIFICATIONS / EQUIVALENT	MANUF.
D	0001	50-04-0125	1N 4448	51	
D	0002	50-04-0125	1N 4448	51	
D	0003	50-04-0125	1N 4448	51	
D	0004	50-04-0125	1N 4448	51	
D	0005	50-04-0125	1N 4448	51	
D	0006	50-04-0125	1N 4448	51	
D	0007	50-04-0125	1N 4448	51	
IC	0001	50-09-0107	RE 6559 NE, UPC 4559		Ra-NEC
IC	0002	50-09-0101	LF 6559 NE, UP 4559		TI
IC	0003	50-09-0107	RE 6559 NE, UPC 4559		Ra-NEC
IC	0004	50-07-0115	MG 14 6559 NE, UP 4559 BCU, A		MoS-AS
J	0001	54-01-0021	1 pcs	JUMPER	Bq
K	0001	56-04-0144	24V 4FU	240V / 2A + PRINT	Omron-zettler
L	0001	62-02-3102	1 M	COIL + 10%	
L	0002	1.777-6101-01	1 M	HF-COIL	St
L	0003	62-02-3102	1 M	COIL + 10%	
L	0004	62-02-3101	100 mK	COIL + 10%	
MP	0001	1.777-570-11		BIAS-CONTROL-PCB	St
MP	0002	1.777-570-12		BIAS-CONTROL-PCB	St
MP	0003	1.010-0013-33		GRIP	St
MP	0004	50-02-2545		TUBULAR RIVET	St
MP	0005	50-02-3003	2 pcs	HEAT SINKS To 126	St
P	0001	54-01-0271	10 PDL+	STRIP CIS ANGLE	AMP
P	0002	54-01-0274	16 PDL+	STRIP CIS ANGLE	AMP
P	0003	54-01-0469	3 PDL+	STRIP CIS ANGLE	AMP
P	0004	54-02-0120	2,890 uB	TEST POINT	Lo
P	0005	54-02-0120	2,890 uB	TEST POINT	Lo
P	0006	54-02-0120	2,890 uB	TEST POINT	Lo
P	0007	54-02-0120	2,890 uB	TEST POINT	Lo

STUDER (05) 88/06/18 BIAS-CONTROL-BOARD A 1.777.570.00 PAGE 2

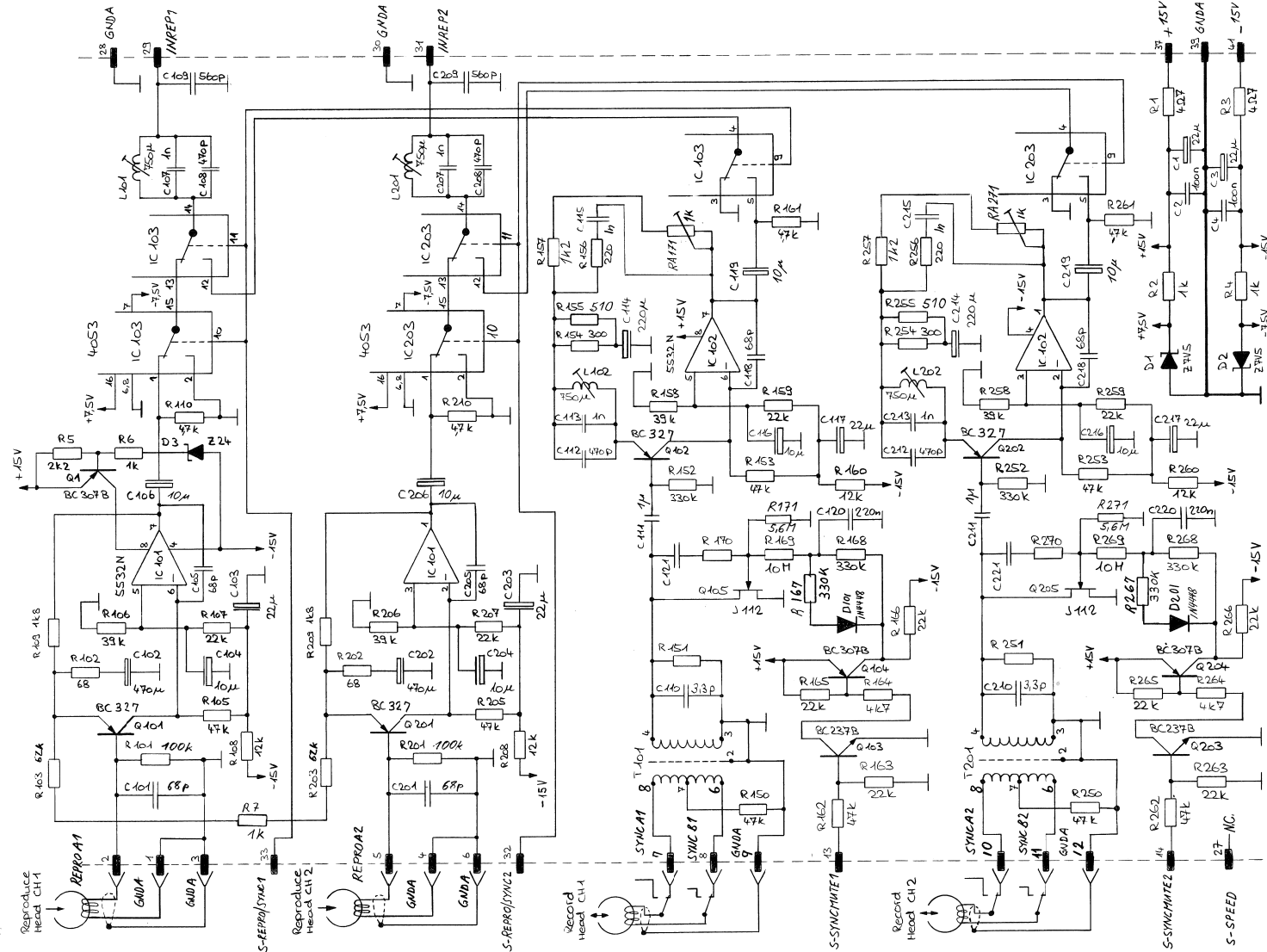
IND.	POS. NO.	PART NO.	VALUE	SPECIFICATIONS / EQUIVALENT	MANUF.
R	0058	57-11-4153	15 K	2%, 0207 + MF	
R	0059	57-11-4072	4.7 K	2%, 0207 + MF	
R	0060	57-11-3301	300	2%, 0207 + MF	
R	0061	57-11-4109	1	2%, 0207 + MF	
R	0062	57-11-4109	1	2%, 0207 + MF	
R	0063	57-11-4109	1	2%, 0207 + MF	
R	0064	57-11-4109	1	2%, 0207 + MF	
R	0065	57-11-4109	1	2%, 0207 + MF	
R	0066	57-11-4156	150 C	2%, 0207 + MF	
R	0067	58-02-4103	10 K	20%, 10 M + PCSCH	
R	0068	58-02-4103	10 K	20%, 10 M + PCSCH	
HT	0001	57-92-1161	180 MA	56V, PTC	
T	0001	1.022-000-00		BIAS TRANSFORMER	St
[01] 07.04.97 SW Adaptation [02] 12.06.07 Value adjust [03] 12.11.07 PCB Revised [04] 27.01.08 Value adjust [05] 28.06.08 Value adjust [06] 09.12.08 Value adjust					

STUDER (06) 88/12/06 BIAS-CONTROL-BOARD A PL 1.777.570.00 PAGE 3

IND.	POS. NO.	PART NO.	VALUE	SPECIFICATIONS / EQUIVALENT	MANUF.
F	0008	54-02-0320	2,890 uB	TEST POINT	Lo
F	0009	54-02-0320	2,890 uB	TEST POINT	Lo
F	0010	54-01-0100	3 pcs	PH 04.890-63 H=5.8/3.4	Bo
Q	0001	50-03-0336		BC 237 B	Ti-Sie+Ph
Q	0002	50-03-0515		BC 307 B	File
Q	0003	50-03-0118		J 11	MoS
Q	0004	50-03-0496		BC 560	MoS
Q	0005	50-03-0496		BC 560	MoS
Q	0006	50-03-0407		BC 550 C (BC 10V C)	Sie+Ph
Q	0007	50-03-0497		BC 550 C (BC 10V C)	Sie+Ph
Q	0008	50-03-0496		BC 560	MoS
Q	0009	50-03-0496		BC 560	MoS
Q	0010	50-03-0510		BD 139-16	Ph-S55-fo
Q	0011	50-03-0436		BC 237 B	Ti-Sie+Ph
Q	0012	50-03-0351		BC 327-25	MoS+Se
R	0001	57-11-4104	100 K	2%, 0207 + MF	
R	0002	57-11-4062	7.4 K	2%, 0207 + MF	
R	0003	57-11-4062	6.2 K	2%, 0207 + MF	
R	0004	57-11-4062	1.8 K	2%, 0207 + MF	
R	0005	57-11-3132	1.3 K	1%, 0207 + MF	
R	0006	57-11-3303	30	1%, 0207 + MF	
R	0007	57-11-4051	150	2%, 0207 + MF	
R	0008	57-11-4104	100 K	2%, 0207 + MF	
R	0009	57-11-4071	470	2%, 0207 + MF	
R	0010	57-11-4079	1	2%, 0207 + MF	
R	0011	57-11-4072	4.7 K	2%, 0207 + MF	
R	0012	57-11-4023	22	2%, 0207 + MF	
R	0013	57-11-4223	22 K	2%, 0207 + MF	
R	0014	57-11-4072	4.7 K	2%, 0207 + MF	
R	0015	57-11-4223	22 K	2%, 0207 + MF	
R	0016	57-11-4134	330	2%, 0207 + MF	
R	0017	57-11-4134	330	2%, 0207 + MF	
R	0018	57-11-5106	10 M	10%, 0207 + MF	
R	0019	57-11-5106	10 M	10%, 0207 + MF	
R	0020	57-11-4241	200	2%, 0207 + MF	

STUDER (05) 88/06/18 BIAS-CONTROL-BOARD A 1.777.570.00 PAGE 3

PREAMPLIFIER BOARD 1.777.610.00



Note:
 C111 and C211 have been reduced to 1µF and resistors R171 and R271 added, each 5,6Mohms to reduce start/stop clicks.

028.1.87 B July 81 ① 7.4.87 J.J. Epa. ② 12.8.87 J.J. Epa. ③ 06.12.88 J.J. Epa.

C270 PREAMPLIFIER BOARD "ESE" SC 1.777.610.00

STUDER

PAGE 1 OF 1

PREAMPLIFIER BOARD 1.777.610.00

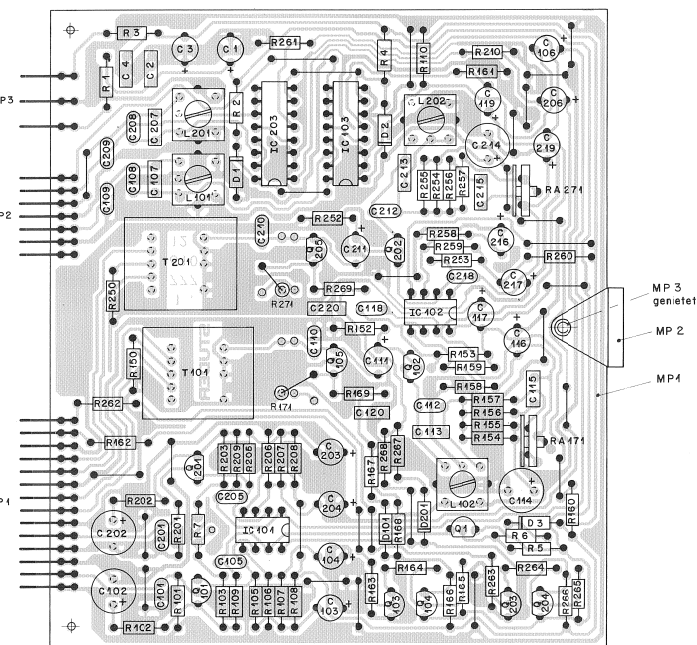


Table with columns: IND., PDS+NO., PART NO., VALUE, SPECIFICATIONS / EQUIVALENT, MANUF. This table lists components for the PREAMPLIFIER-BOARD A. The components include resistors of various values (e.g., 22 U, 10 U, 1k) and specifications like ±2%, 25W, EL, and various manufacturers like YAGI, RAY, and HP.

STUDER (04) 08/12/06 PREAMPLIFIER-BOARD A PL 1.777.610.00 PAGE 1

Table with columns: IND., PDS+NO., PART NO., VALUE, SPECIFICATIONS / EQUIVALENT, MANUF. This table lists components for the PREAMPLIFIER-BOARD A, continuing from the previous table. Components include resistors and capacitors with various values and specifications.

STUDER (04) 08/12/06 PREAMPLIFIER-BOARD A PL 1.777.610.00 PAGE 1

Table with columns: IND., PDS+NO., PART NO., VALUE, SPECIFICATIONS / EQUIVALENT, MANUF. This table lists components for the PREAMPLIFIER-BOARD A. It includes integrated circuits (IC), resistors, and capacitors.

STUDER (04) 08/12/06 PREAMPLIFIER-BOARD A PL 1.777.610.00 PAGE 2

Table with columns: IND., PDS+NO., PART NO., VALUE, SPECIFICATIONS / EQUIVALENT, MANUF. This table lists components for the PREAMPLIFIER-BOARD A, including integrated circuits, resistors, and capacitors.

STUDER (04) 08/12/06 PREAMPLIFIER-BOARD A PL 1.777.610.00 PAGE 3

Table with columns: IND., PDS+NO., PART NO., VALUE, SPECIFICATIONS / EQUIVALENT, MANUF. This table lists components for the PREAMPLIFIER-BOARD A, including integrated circuits, resistors, and capacitors.

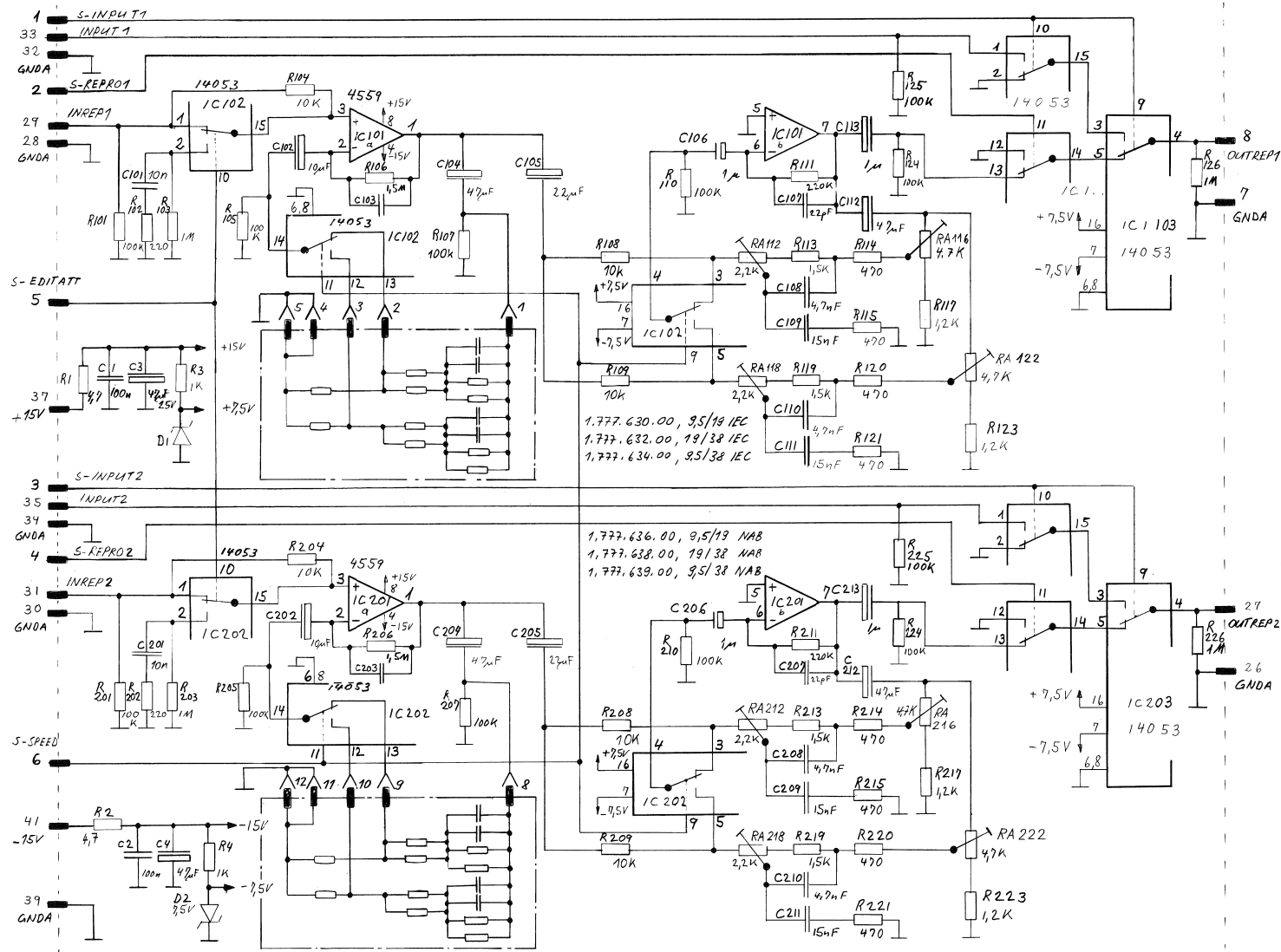
STUDER (04) 08/12/06 PREAMPLIFIER-BOARD A PL 1.777.610.00 PAGE 3

Table with columns: IND., PDS+NO., PART NO., VALUE, SPECIFICATIONS / EQUIVALENT, MANUF. This table lists components for the PREAMPLIFIER-BOARD A, including integrated circuits, resistors, and capacitors.

STUDER (04) 08/12/06 PREAMPLIFIER-BOARD A PL 1.777.610.00 PAGE 6



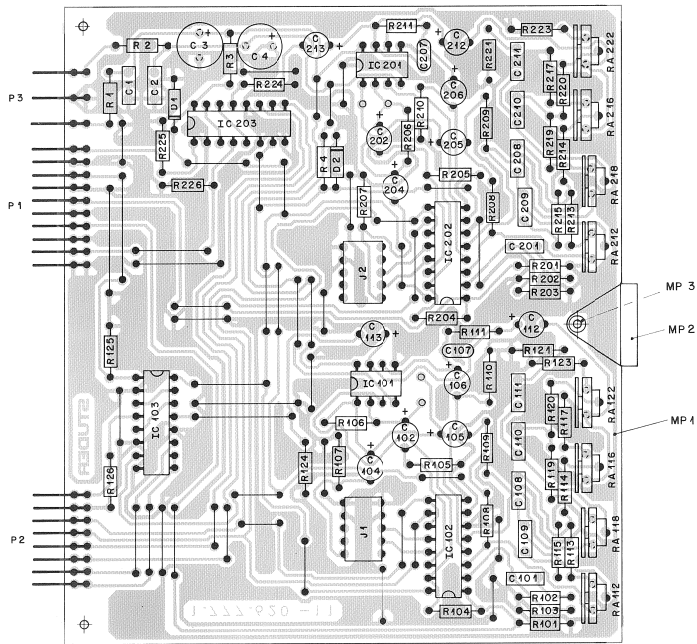
REPRODUCE EQUALIZER BOARD 1.777.620.00



0281.87 2 J.A.E. 17.7.87 J.M.E.
 C270
 REPRODUCE EQUALIZER BOARD "ESE" SC 1.777.620.00
 STUDER
 PAGE 1 OF 1



REPRODUCE EQUALIZER BOARD 1.777.620.00



IND.	POS.-NO.	PART NO.	VALUE	SPECIFICATIONS / EQUIVALENT	MANUF.
C++0001	594.06.0104	1 U	10K	03W + PETP	
C++0002	594.06.0104	1 U	10K	03W + PETP	
C++0003	594.22.5470	47 U	-20K	25W + EL	
C++0004	594.22.5470	47 U	-20K	25W + EL	
C++0101	594.06.5103	+01 U	5K	03W + PETP	
C++0102	594.22.4100	10 U	-20K	40V + EL	
C++0103	594.22.3470	47 U	not connected		
C++0104	594.22.5220	22 U	-20K	10W + EL	
C++0105	594.22.5220	22 U	-20K	25W + EL	
(00) C++0106	594.22.4100	10 U	-20K	40V + EL	
(01) C++0106	594.22.8109	1 U	-20K	03W + EL	
C++0107	594.34.2320	22 P	5K	R530 + CER	
C++0108	594.06.5472	4700 P	5K	03W + PETP	
C++0109	594.06.5153	+015 U	5K	03W + PETP	
C++0110	594.06.5472	4700 P	5K	03W + PETP	
C++0111	594.06.5153	+015 U	5K	03W + PETP	
C++0112	594.22.3470	47 U	-20K	10W + EL	
(00) C++0113	594.22.4100	10 U	-20K	40V + EL	
(01) C++0113	594.22.8109	1 U	-20K	03W + EL	
C++0201	594.06.5103	+01 U	5K	03W + PETP	
C++0202	594.22.4100	10 U	-20K	40V + EL	
C++0203	594.22.3470	47 U	-20K	10W + EL	
C++0204	594.22.5220	22 U	-20K	25W + EL	
(00) C++0206	594.22.8100	10 U	-20K	40V + EL	
(01) C++0206	594.22.8109	1 U	-20K	03W + EL	
C++0207	594.34.2320	22 P	5K	R530 + CER	
C++0208	594.06.5472	4700 P	5K	03W + PETP	
C++0209	594.06.5153	+015 U	5K	03W + PETP	
C++0210	594.06.5472	4700 P	5K	03W + PETP	
C++0211	594.06.5153	+015 U	5K	03W + PETP	
C++0212	594.22.3470	47 U	-20K	10W + EL	
(00) C++0213	594.22.4100	10 U	-20K	40V + EL	
(01) C++0213	594.22.8109	1 U	-20K	03W + EL	
D++0001	50.04.0110	7.5K	5K	+40K4 1	ITT-Moh-Pb
D++0002	50.04.0110	1.5V	5K	+40K4 2	

STUDER (01) 87/04/07 REPRD. EQUALIZER BOARD A 1.777.620.00 PAGE 1

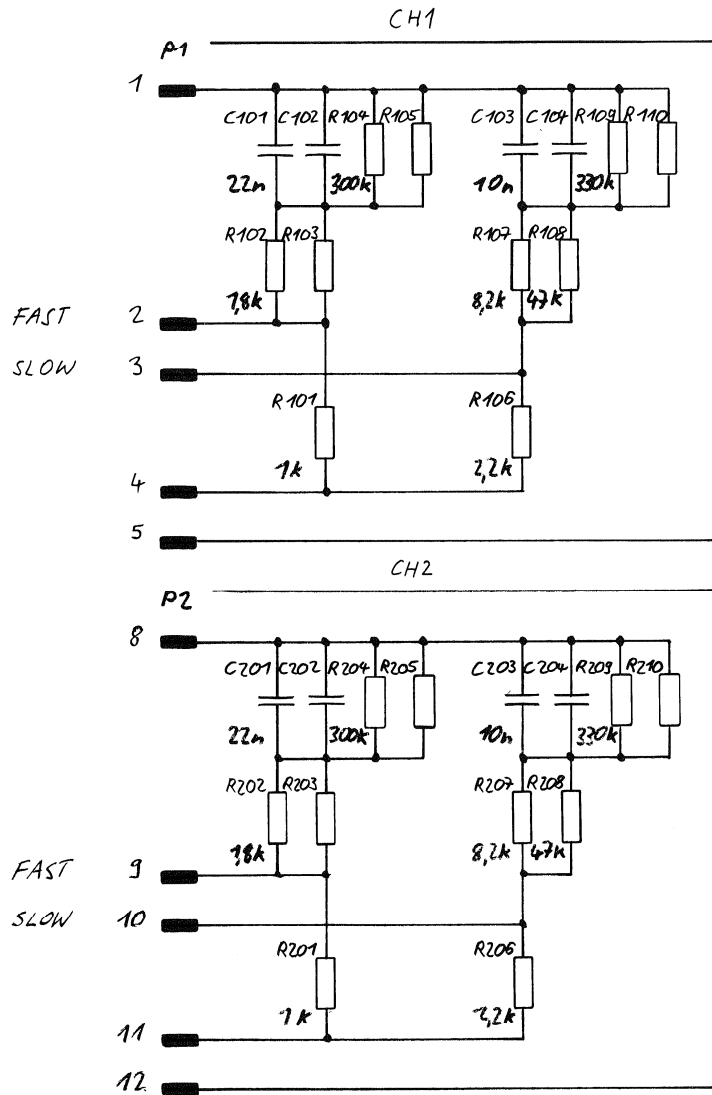
IND.	POS.-NO.	PART NO.	VALUE	SPECIFICATIONS / EQUIVALENT	MANUF.
IC-0101	50.09.0.007			IC 555 NR. UPC 4559	Ra+NEC
IC-0102	50.07.0015			IC 14 555BCEP.E.D A053 BC74A	Ra+NEC
IC-0103	50.07.0015			IC 14 555BCEP.E.D A053 BC74A	Not+MS
IC-0201	50.09.0.007			IC 555 NR. UPC 4559	Ra+NEC
IC-0202	50.07.0015			IC 14 555BCEP.E.D A053 BC74A	Not+MS
IC-0203	50.07.0015			IC 14 555BCEP.E.D A053 BC74A	Not+MS
J++0001	54.01.0305	5 PDL		STRIP CIS PARALEL	AMP
J++0002	54.01.0305	5 PDL		STRIP CIS PARALEL	AMP
MP-0001	1.777.620.41			PLATEBACK EQUALIZER PCB	ST
MP-0002	1.004.001.33			GRIP	
MP-0003	28.71.1360	02x25x5		TUBULAR RIVET	ST
P++0001	54.01.0771	10 PDL		STRIP CIS ANGLE	
P++0002	54.01.0770	8 PDL		STRIP CIS ANGLE	
P++0003	54.01.0469	3 PDL		STRIP CIS ANGLE	
R++0001	57.11.4479	4.7	2K	0207 + MF	
R++0002	57.11.4479	4.7	2K	0207 + MF	
R++0003	57.11.4402	1 K	2K	0207 + MF	
R++0004	57.11.4402	1 K	2K	0207 + MF	
R++0101	57.11.4.04	100 K	2K	0207 + MF	
R++0102	57.11.4.04	220	2K	0207 + MF	
R++0103	57.11.4.05	1 M	5K	0207 + MF	
R++0104	57.11.4.05	1 M	5K	0207 + MF	
R++0105	57.11.4.04	100 K	2K	0207 + MF	
R++0106	57.11.4.04	100 K	2K	0207 + MF	
R++0107	57.11.4.04	100 K	2K	0207 + MF	
R++0108	57.11.4.04	100 K	2K	0207 + MF	
R++0109	57.11.4.04	100 K	2K	0207 + MF	
R++0110	57.11.4.04	100 K	2K	0207 + MF	
R++0111	57.11.4.04	100 K	2K	0207 + MF	
R++0112	57.11.4.04	100 K	2K	0207 + MF	
R++0113	57.11.4.04	100 K	2K	0207 + MF	
R++0114	57.11.4.04	100 K	2K	0207 + MF	
R++0115	57.11.4.04	100 K	2K	0207 + MF	
R++0117	57.11.4.04	100 K	2K	0207 + MF	

STUDER (01) 87/04/07 REPRD. EQUALIZER BOARD A 1.777.620.00 PAGE 2

IND.	POS.-NO.	PART NO.	VALUE	SPECIFICATIONS / EQUIVALENT	MANUF.
R++0119	57.11.4.052	1.5 K	2K	0207 + MF	
R++0120	57.11.4.041	470	2K	0207 + MF	
R++0121	57.11.4.041	470	2K	0207 + MF	
R++0122	57.11.4.022	1.2 K	2K	0207 + MF	
R++0124	57.11.4.004	100 K	2K	0207 + MF	
R++0125	57.11.4.004	100 K	2K	0207 + MF	
R++0126	57.11.4.005	100 K	2K	0207 + MF	
R++0201	57.11.4.004	100 K	2K	0207 + MF	
R++0202	57.11.4.021	220	2K	0207 + MF	
R++0203	57.11.4.004	100 K	2K	0207 + MF	
R++0204	57.11.4.003	10 K	2K	0207 + MF	
R++0205	57.11.4.004	100 K	2K	0207 + MF	
R++0206	57.11.4.005	1.5 K	2K	0207 + MF	
R++0207	57.11.4.004	100 K	2K	0207 + MF	
R++0208	57.11.4.004	100 K	2K	0207 + MF	
R++0209	57.11.4.004	100 K	2K	0207 + MF	
R++0210	57.11.4.004	100 K	2K	0207 + MF	
R++0211	57.11.4.024	220 K	2K	0207 + MF	
R++0213	57.11.4.052	1.5 K	2K	0207 + MF	
R++0214	57.11.4.041	470	2K	0207 + MF	
R++0215	57.11.4.041	470	2K	0207 + MF	
R++0217	57.11.4.022	1.2 K	2K	0207 + MF	
R++0219	57.11.4.052	1.5 K	2K	0207 + MF	
R++0220	57.11.4.041	470	2K	0207 + MF	
R++0221	57.11.4.041	470	2K	0207 + MF	
R++0223	57.11.4.022	1.2 K	2K	0207 + MF	
R++0224	57.11.4.004	100 K	2K	0207 + MF	
R++0225	57.11.4.004	100 K	2K	0207 + MF	
R++0226	57.11.4.005	1 K	2K	0207 + MF	
RA-0112	58.02.4422	2.2 K	20K	+1 W + PCSCH	
RA-0116	58.02.4472	4.7 K	20K	+1 W + PCSCH	
RA-0118	58.02.4472	4.7 K	20K	+1 W + PCSCH	
RA-0122	58.02.4472	4.7 K	20K	+1 W + PCSCH	
RA-0123	58.02.4472	4.7 K	20K	+1 W + PCSCH	
RA-0124	58.02.4472	4.7 K	20K	+1 W + PCSCH	
RA-0126	58.02.4472	4.7 K	20K	+1 W + PCSCH	
RA-0128	58.02.4472	4.7 K	20K	+1 W + PCSCH	

STUDER (01) 87/04/07 REPRD. EQUALIZER BOARD A 1.777.620.00 PAGE 3

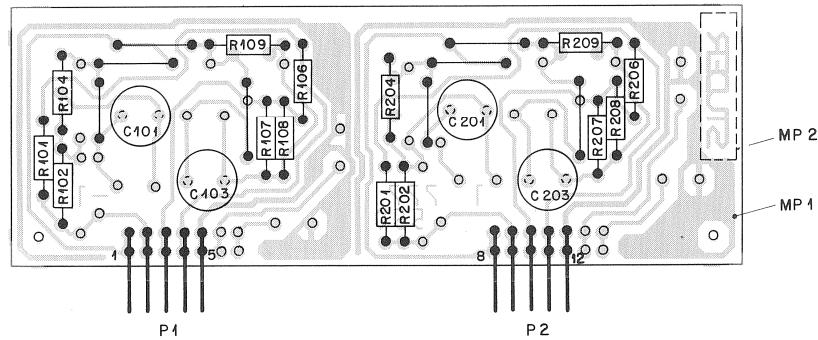
REPRO SPEED BOARD 9.5/19 IEC 1.777.630.00



Note:
 Components with no value indication are not installed.

©14.2.873: FN	○ ..	○ ..	○ ..	○ ..
	C270			PAGE 1 OF 1
STUDER	REPRO SPEED B. 9.5 / 19 IEC (3,75 / 7,5)	SC	4.777.630.00	

REPRO SPEED BOARD 9.5/19 IEC 1.777.630.00



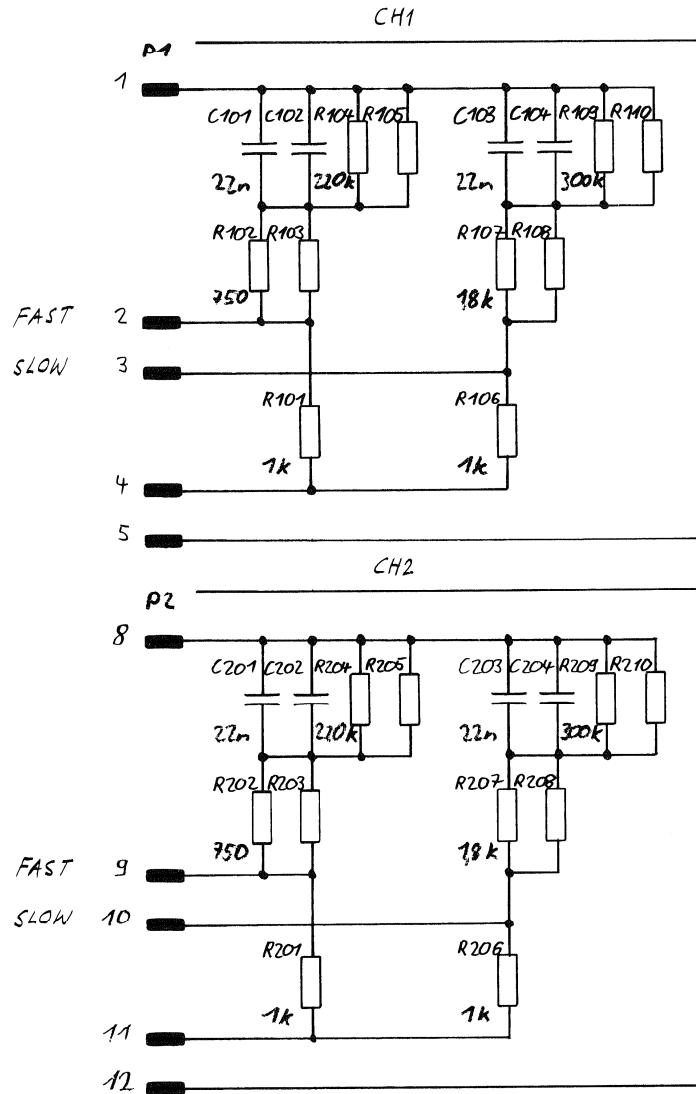
IND.	POS.NO.	PART NO.	VALUE	SPECIFICATIONS / EQUIVALENT	MANUF.
	C..0101	59.05.2223	.022 U	2.5%, 63V, PP	
	C..0103	59.05.2103	.01 U	2.5%, 63V, PP	
	C..0201	59.05.2223	.022 U	2.5%, 63V, PP	
	C..0203	59.05.2103	.01 U	2.5%, 63V, PP	
	MP.0001	1.777.550.11		REPRO. SPEED BOARD PCB	
	MP.0002	1.777.630.01		Label	
	P..0001	54.01.0269	5 PDL.	STRIP CIS	
	P..0002	54.01.0269	5 PDL.	STRIP CIS	
	R..0101	57.11.3102	1 K	1%, 0207, MF	
	R..0102	57.11.3102	1.8 K	1%, 0207, MF	
	R..0104	57.11.3304	300 K	1%, 0207, MF	
	R..0106	57.11.3222	2.2 K	1%, 0207, MF	
	R..0107	57.11.3822	8.2 K	1%, 0207, MF	
	R..0108	57.11.3473	47 K	1%, 0207, MF	
	R..0109	57.11.3334	330 K	1%, 0207, MF	
	R..0201	57.11.3102	1 K	1%, 0207, MF	
	R..0202	57.11.3102	1.8 K	1%, 0207, MF	
	R..0204	57.11.3304	300 K	1%, 0207, MF	
	R..0206	57.11.3222	2.2 K	1%, 0207, MF	
	R..0207	57.11.3822	8.2 K	1%, 0207, MF	
	R..0208	57.11.3473	47 K	1%, 0207, MF	
	R..0209	57.11.3334	330 K	1%, 0207, MF	

ORIG 86/09/16

STUDDER (00) 86/09/16

REPRO. SPEED BOARD 9.5/19 IEC 1.777.630.00 PAGE 1

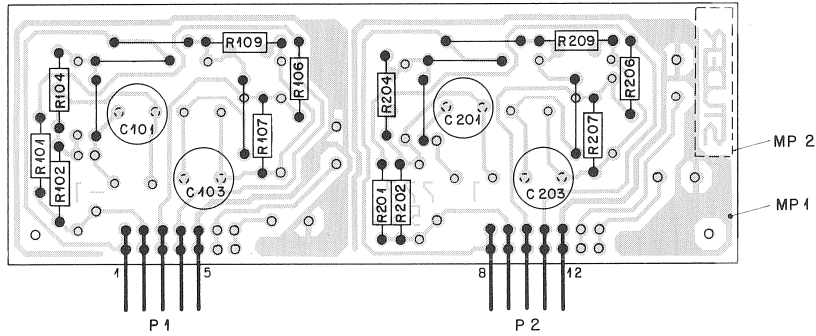
REPRO SPEED BOARD 19/38 IEC 1.777.632.00



Note:
Components with no value indication are not installed.

① 14.287	EX	○ ..	○ ..	○ ..	○ ..
C270					PAGE 1 OF 1
STUDER	REPRO SPEED B. 19/38 IEC (7,5 /15)			SC	1.777.632.00

REPRO SPEED BOARD 19/38 IEC 1.777.632.00

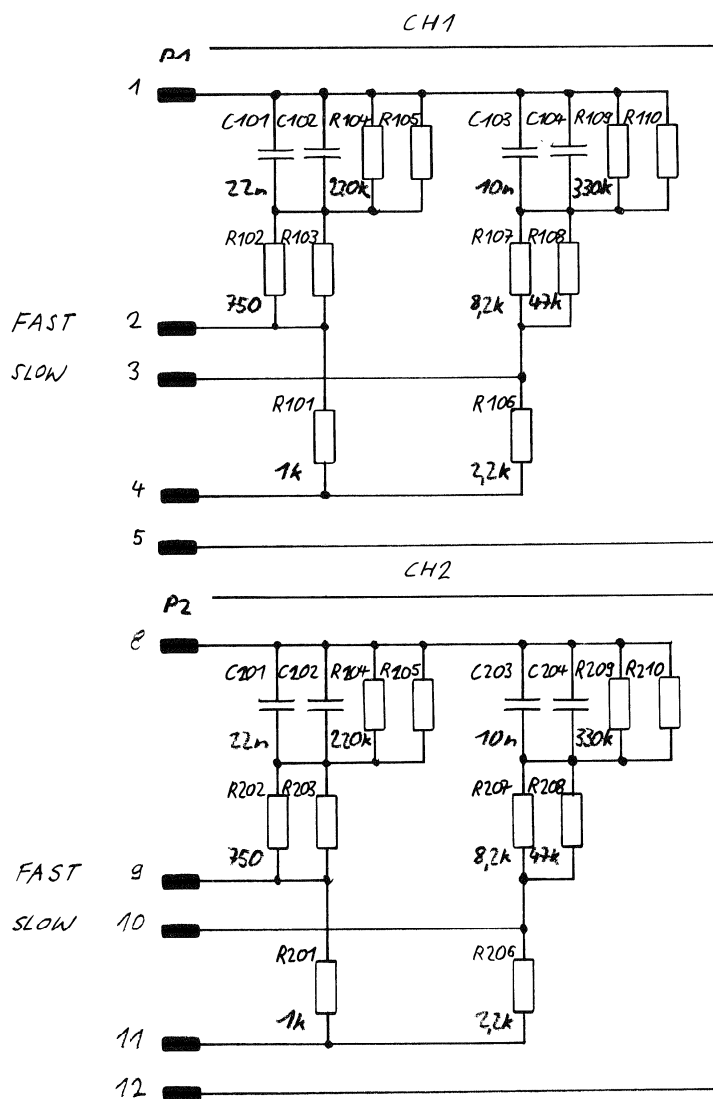


IND.	POS. NO.	PART NO.	VALUE	SPECIFICATIONS / EQUIVALENT	MANUF.
C..0101		59.05.2223	.022 U	2.5%, 63V + PP	
C..0103		59.05.2223	.022 U	2.5%, 63V + PP	
C..0201		59.05.2223	.022 U	2.5%, 63V + PP	
C..0203		59.05.2223	.022 U	2.5%, 63V + PP	
MP.0001		1.777.550.11		REPRO. SPEED BOARD PCB	
MP.0002		1.777.632.01		Label	
P..0001		54.01.0269	5 PDL.	STRIP CIS	
P..0002		54.01.0269	5 PDL.	STRIP CIS	
R..0101		57.11.3102	1 K	1%, 0207 + MF	
R..0102		57.11.3751	750	1%, 0207 + MF	
R..0104		57.11.4224	220 K	1%, 0207 + MF	
R..0106		57.11.3102	1 K	1%, 0207 + MF	
R..0107		57.11.3182	1.8 K	1%, 0207 + MF	
R..0109		57.11.3304	300 K	1%, 0207 + MF	
R..0201		57.11.3102	1 K	1%, 0207 + MF	
R..0202		57.11.3751	750	1%, 0207 + MF	
R..0204		57.11.4224	220 K	1%, 0207 + MF	
R..0206		57.11.3102	1 K	1%, 0207 + MF	
R..0207		57.11.3182	1.8 K	1%, 0207 + MF	
R..0209		57.11.3304	300 K	1%, 0207 + MF	

ORIG 86/09/16

STUDER (00) 86/09/16 REPRO. SPEED BOARD 19/38 IEC 1.777.632.00 PAGE 1

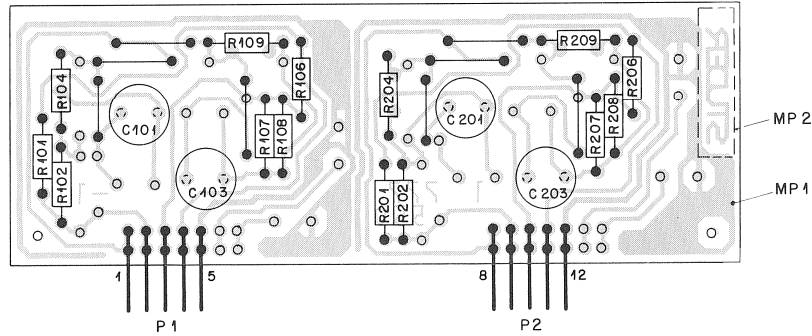
REPRO SPEED BOARD 9.5/38 IEC 1.777.634.00



Note:
 Components with no value indication are not installed.

© 14.2.87	○ ..	○ ..	○ ..	○ ..
	C270			PAGE 1 OF 1
STUDER	REPRO SPEED B. 9.5/38 IEC(3,75/15)	SC	1.777.634.00	

REPRO SPEED BOARD 9.5/38 IEC 1.777.634.00



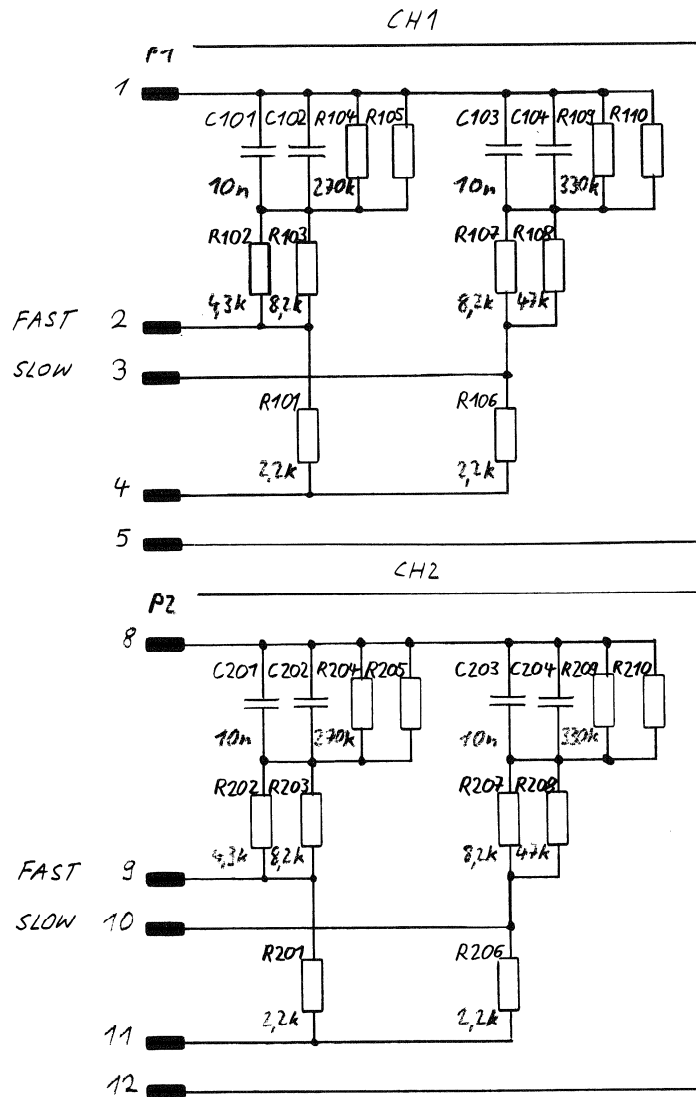
IND.	POS.-NO.	PART NO.	VALUE	SPECIFICATIONS / EQUIVALENT	MANUF.
C..0101		59.05.2223	.022 U	2.5%, 63V * PP	
C..0103		59.05.2103	.01 U	2.5%, 63V * PP	
C..0201		59.05.2223	.022 U	2.5%, 63V * PP	
C..0203		59.05.2103	.01 U	2.5%, 63V * PP	
MP.0001		1.777.550.11		REPRO. SPEED BOARD PER	
MP.0002		1.777.634.01		Label	
P..0001		54.01.0269	5 PDL.	STRIP CIS	
P..0002		54.01.0269	5 PDL.	STRIP CIS	
R..0101		57.11.3102	1 K	1%, 0207 * MF	
R..0102		57.11.3751	750	1%, 0207 * MF	
R..0104		57.11.3224	220 K	1%, 0207 * MF	
R..0106		57.11.3222	2.2 K	1%, 0207 * MF	
R..0107		57.11.3922	8.2 K	1%, 0207 * MF	
R..0108		57.11.3473	47 K	1%, 0207 * MF	
R..0109		57.11.3334	330 K	1%, 0207 * MF	
R..0201		57.11.3102	1 K	1%, 0207 * MF	
R..0202		57.11.3751	750	1%, 0207 * MF	
R..0204		57.11.3224	220 K	1%, 0207 * MF	
R..0206		57.11.3222	2.2 K	1%, 0207 * MF	
R..0207		57.11.3922	8.2 K	1%, 0207 * MF	
R..0208		57.11.3473	47 K	1%, 0207 * MF	
R..0209		57.11.3334	330 K	1%, 0207 * MF	

ORIG 86/09/16

STUDER (00) 86/09/16

REPRO. SPEED BOARD 9.5/38 IEC 1.777.634.00 PAGE 1

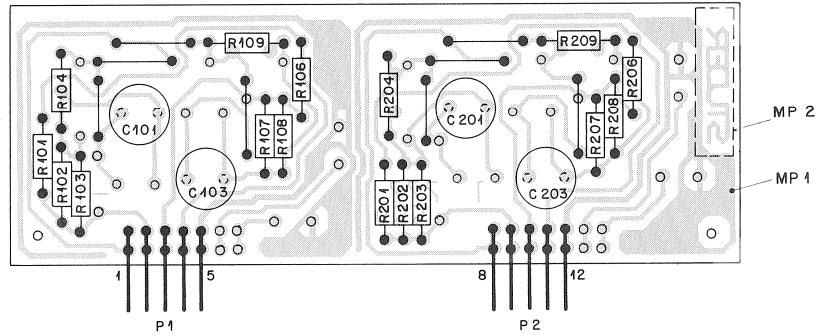
REPRO SPEED BOARD 9.5/19 NAB 1.777.636.00



Note:
Components with no value indication are not installed.

©14.2.87
C270				PAGE 1 OF 1
STUDER	REPRO SPEED B. 9.5/19 NAB (3,75/7,5) SC			1.777.636.00

REPRO SPEED BOARD 9.5/19 NAB 1.777.636.00



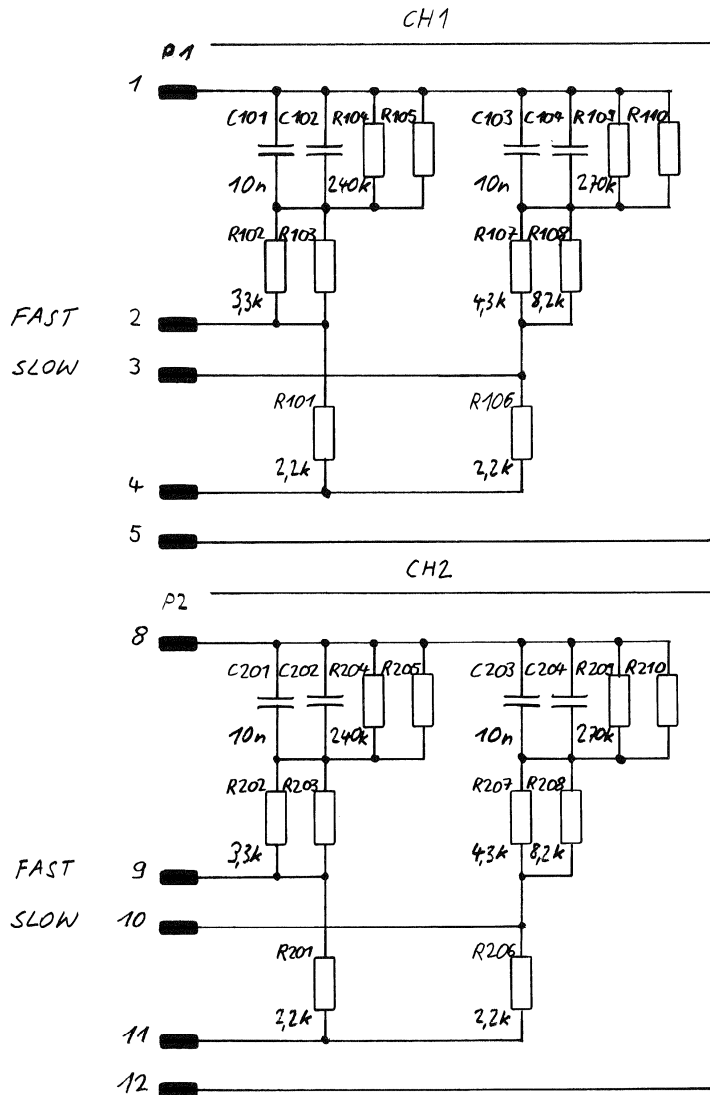
IND.	POS. NO.	PART NO.	VALUE	SPECIFICATIONS / EQUIVALENT	MANUF.
C..0101		59.05.2103	.01 U	2.5%, 63V x PP	
C..0103		59.05.2103	.01 U	2.5%, 63V x PP	
C..0201		59.05.2103	.01 U	2.5%, 63V x PP	
C..0203		59.05.2103	.01 U	2.5%, 63V x PP	
MP.0001		1.777.550.11		REPRO SPEED BOARD PCB	
MP.0002		1.777.636.01		Label	
P..0001		54.01.0269	5 PDL.	STRIP C15	
P..0002		54.01.0269	5 PDL.	STRIP C15	
R..0101		57.11.3222	2.2 K	1%, 0207 x MF	
R..0102		57.11.3432	4.3 K	1%, 0207 x MF	
R..0103		57.11.3822	8.2 K	1%, 0207 x MF	
(00) R..0104		57.11.3274	270 K	1%, 0207 x MF	
(01) R..0104		57.11.4274	270 K	2%, 0207 x MF	
R..0106		57.11.3222	2.2 K	1%, 0207 x MF	
R..0107		57.11.3822	8.2 K	1%, 0207 x MF	
R..0108		57.11.3473	47 K	1%, 0207 x MF	
R..0109		57.11.3334	330 K	1%, 0207 x MF	
R..0201		57.11.3222	2.2 K	1%, 0207 x MF	
R..0202		57.11.3432	4.3 K	1%, 0207 x MF	
R..0203		57.11.3822	8.2 K	1%, 0207 x MF	
(00) R..0204		57.11.3274	270 K	1%, 0207 x MF	
(01) R..0204		57.11.4274	270 K	2%, 0207 x MF	
R..0206		57.11.3222	2.2 K	1%, 0207 x MF	
R..0207		57.11.3822	8.2 K	1%, 0207 x MF	
R..0208		57.11.3473	47 K	1%, 0207 x MF	
R..0209		57.11.3334	330 K	1%, 0207 x MF	

(01) 26.06.87 PARTNUMBER CHANGE

ORIG 86/09/16 (01) 87/06/26

S T U D E R (01) 87/06/26 REPRO SPEED BOARD 9.5/19 NAB 1.777.636.00 PAGE 1

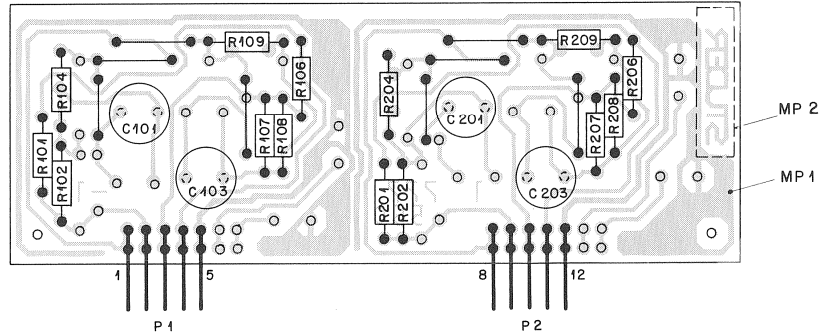
REPRO SPEED BOARD 19/38 NAB 1.777.638.00



Note:
 Components with no value indication are not installed.

① 14.2.87
	C270			PAGE 1 OF 1
STUDER	REPRO SPEED B. 19/38 NAB (7,5 / 15)	SC	1.777.638.00	

REPRO SPEED BOARD 19/38 NAB 1.777.638.00



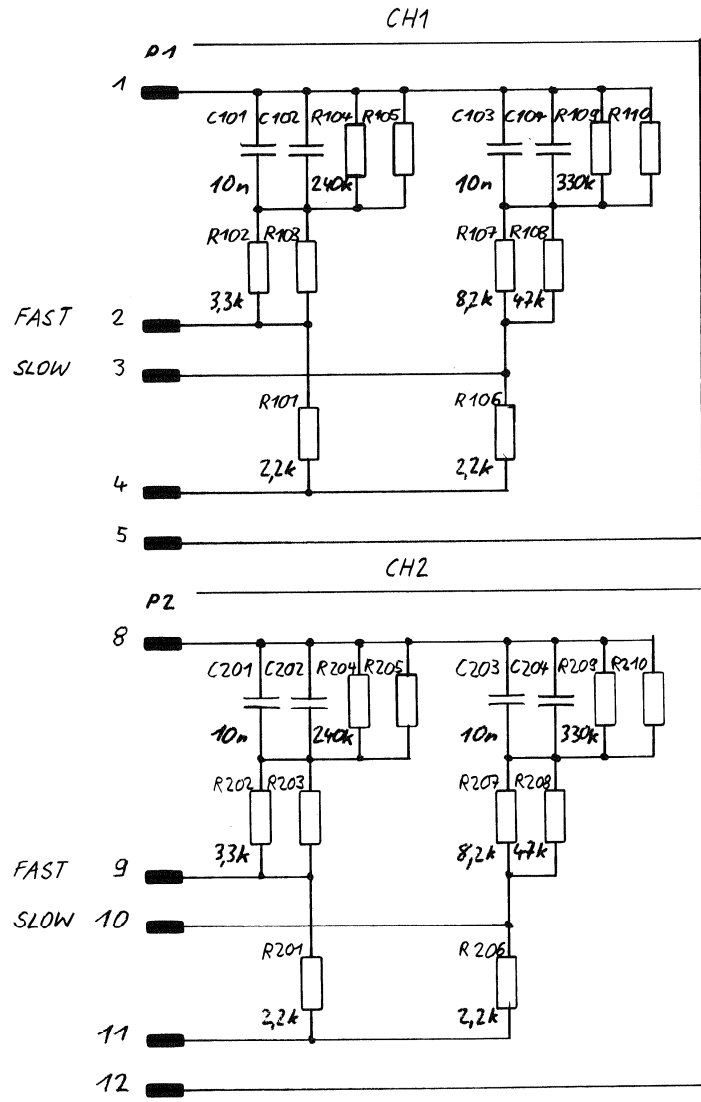
IND.	POS.-NO.	PART NO.	VALUE	SPECIFICATIONS / EQUIVALENT	MANUF.
	C..0101	59.05.2103	.01 U	2.5%, 63V, PP	
	C..0103	59.05.2103	.01 U	2.5%, 63V, PP	
	C..0201	59.05.2103	.01 U	2.5%, 63V, PP	
	C..0203	59.05.2103	.01 U	2.5%, 63V, PP	
	MP..0001	1.777.550.11		REPRO. SPEED BOARD PCB	
	MP..0002	1.777.638.01		Label	
	P..0001	54.01.0269	5 POL	STRIP CIS	
	P..0002	54.01.0269	5 POL	STRIP CIS	
	R..0101	57.11.3222	2.2 K	1%, 0207, MF	
	R..0102	57.11.3332	3.3 K	1%, 0207, MF	
	R..0104	57.11.3244	240 K	1%, 0207, MF	
	R..0106	57.11.3222	2.2 K	1%, 0207, MF	
	R..0107	57.11.3432	4.3 K	1%, 0207, MF	
	R..0108	57.11.3822	8.2 K	1%, 0207, MF	
(00)	R..0109	57.11.3274	270 K	1%, 0207, MF	
(01)	R..0109	57.11.4274	270 K	2%, 0207, MF	
	R..0201	57.11.3222	2.2 K	1%, 0207, MF	
	R..0202	57.11.3332	3.3 K	1%, 0207, MF	
	R..0204	57.11.3244	240 K	1%, 0207, MF	
	R..0206	57.11.3222	2.2 K	1%, 0207, MF	
	R..0207	57.11.3432	4.3 K	1%, 0207, MF	
	R..0208	57.11.3822	8.2 K	1%, 0207, MF	
(00)	R..0209	57.11.3274	270 K	1%, 0207, MF	
(01)	R..0209	57.11.4274	270 K	2%, 0207, MF	

(01) 26.06.87 PARTNUMBER CHANGE

ORIG 86/09/16 (01) 87/06/26

STUDER (01) 87/06/26 REPRO. SPEED BOARD 19/38 NAB 1.777.638.00 PAGE 1

REPRO SPEED BOARD 9.5/38 NAB 1.777.639.00

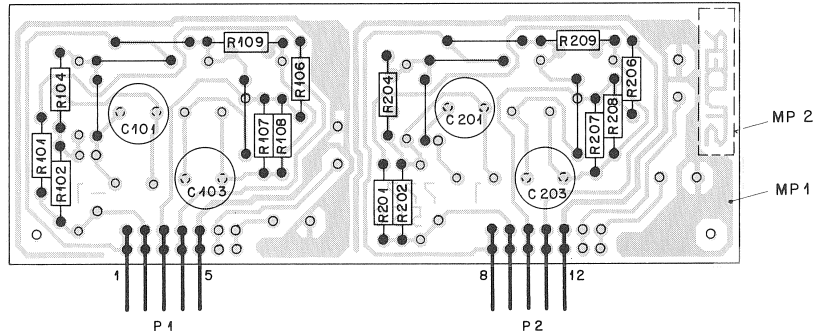


Note:

Components with no value indication are not installed.

14.2.87	EW
C270				PAGE 1 OF 1	
STUDER	REPRO SPEED B.9.5/38NAB(3,75/ 15)			SC	1.777.639.00

REPRO SPEED BOARD 9.5/38 NAB 1.777.639.00

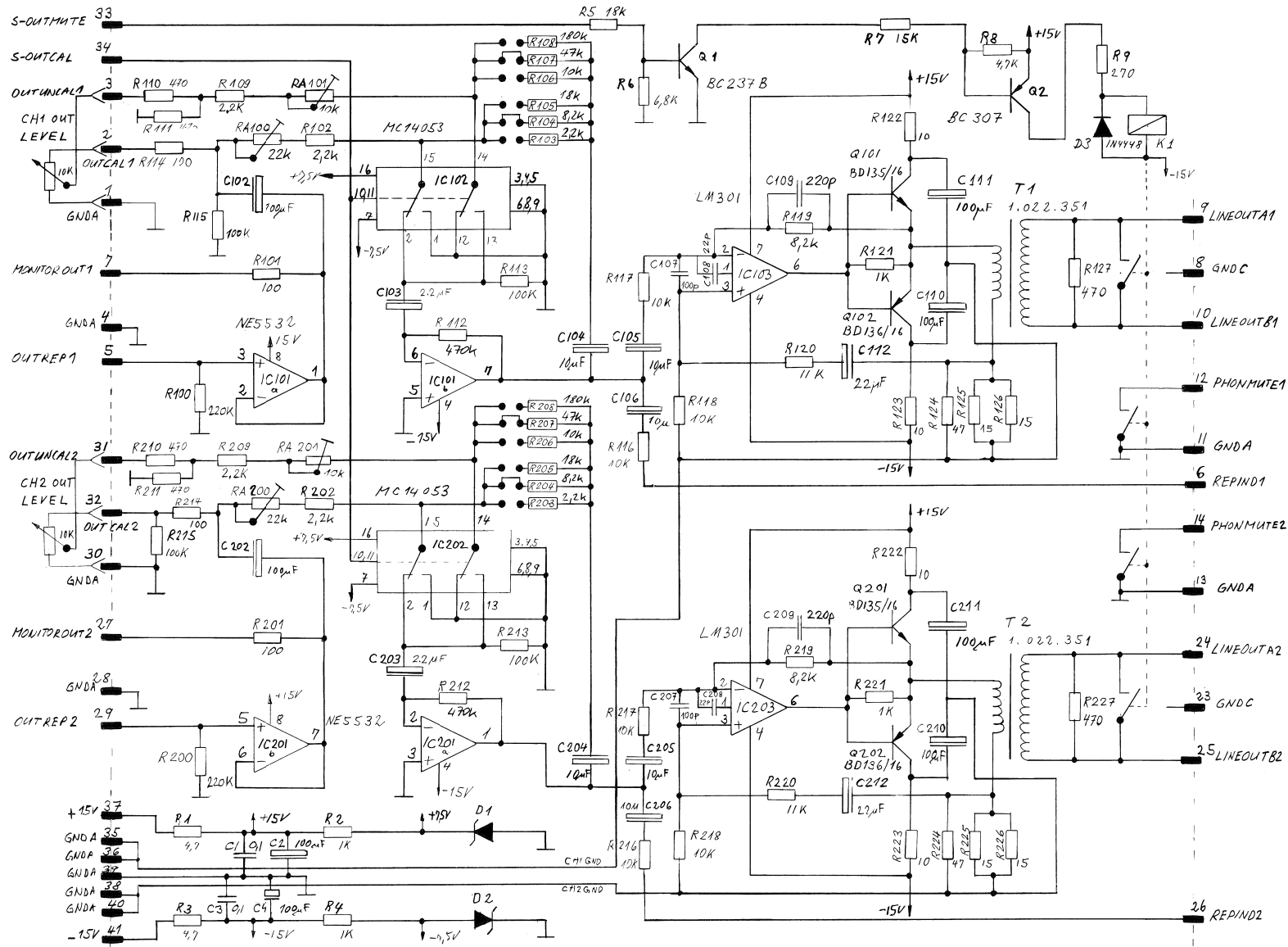


IND.	POS.NO.	PART NO.	VALUE	SPECIFICATIONS / EQUIVALENT	MANUF.
C..0101		59.05.2103	.01 U	2.5% 63V * PP	
C..0103		59.05.2103	.01 U	2.5% 63V * PP	
C..0201		59.05.2103	.01 U	2.5% 63V * PP	
C..0203		59.05.2103	.01 U	2.5% 63V * PP	
MP.0001		1.777.596.11		REPRO. SPEED BOARD PCB	
MP.0002		1.777.639.01		Label	
P..0001		54.01.0269	5 PDL	STRIP CIS	
P..0002		54.01.0269	5 PDL	STRIP CIS	
R..0101		57.11.3222	2.2 K	1%, 0207 * MF	
R..0102		57.11.3332	3.3 K	1%, 0207 * MF	
R..0104		57.11.3244	240 K	1%, 0207 * MF	
R..0106		57.11.3222	2.2 K	1%, 0207 * MF	
R..0107		57.11.3822	8.2 K	1%, 0207 * MF	
R..0108		57.11.3473	67 K	1%, 0207 * MF	
R..0109		57.11.3334	330 K	1%, 0207 * MF	
R..0201		57.11.3222	2.2 K	1%, 0207 * MF	
R..0202		57.11.3332	3.3 K	1%, 0207 * MF	
R..0204		57.11.3244	240 K	1%, 0207 * MF	
R..0206		57.11.3222	2.2 K	1%, 0207 * MF	
R..0207		57.11.3822	8.2 K	1%, 0207 * MF	
R..0208		57.11.3473	67 K	1%, 0207 * MF	
R..0209		57.11.3334	330 K	1%, 0207 * MF	

ORIG 86/09/16

STUDER (00) 86/09/16 REPRO. SPEED BOARD 9.5/38 NAB 1.777.639.00 PAGE 1

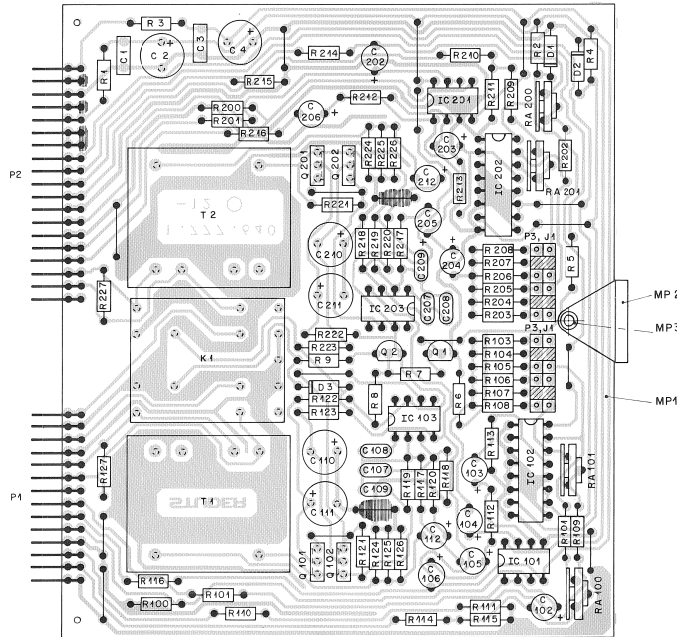
OUTPUT AMPLIFIER BOARD 1.777.640.00



©28.1.87 *Handwritten signature*
 C270
 STUDER
 "ESE" SC
 OUTPUT AMPL. BOARD
 PAGE 1 OF 1
 1.777.640.00



OUTPUT AMPLIFIER BOARD 1.777.640.00



IND.	POS.ND.	PART NO.	VALUE	SPECIFICATIONS / EQUIVALENT	MANUF.
C++0001	59.06.1104	1 U	5%, 63V	PETP	
C++0002	59.22.1101	100 U	-20%, 25V	EL	
C++0003	59.06.1104	1 U	5%, 63V	PETP	
C++0004	59.22.1101	100 U	-20%, 25V	EL	
C++0102	59.22.1101	100 U	-20%, 10V	EL	
C++0103	59.22.0229	2,2 U	-20%, 63V	EL	
C++0104	59.22.0100	10 U	-20%, 40V	EL	
C++0105	59.22.0100	10 U	-20%, 40V	EL	
C++0106	59.22.0100	10 U	-20%, 40V	EL	
C++0107	59.34.4021	100 P	5%, 4750	CER	
C++0108	59.34.4020	22 P	5%, 4750	CER	
C++0109	59.34.4021	220 P	5%, 4750	CER	
C++0110	59.22.0229	2,2 U	-20%, 25V	EL	
C++0111	59.22.1101	100 U	-20%, 25V	EL	
C++0112	59.22.0229	2,2 U	-20%, 25V	F.L.	
C++0202	59.22.1101	100 U	-20%, 10V	EL	
C++0203	59.22.0229	2,2 U	-20%, 63V	EL	
C++0204	59.22.0100	10 U	-20%, 40V	EL	
C++0205	59.22.0100	10 U	-20%, 40V	EL	
C++0206	59.34.4020	22 P	5%, 4750	CER	
C++0207	59.34.4021	100 P	5%, 4750	CER	
C++0208	59.34.4020	22 P	5%, 4750	CER	
C++0209	59.34.4021	220 P	5%, 4750	CER	
C++0210	59.22.1101	100 U	-20%, 25V	EL	
C++0211	59.22.1101	100 U	-20%, 25V	EL	
C++0212	59.22.0229	2,2 U	-20%, 25V	F.L.	

D++0001 50.04.1103 7,5 V 5%, 400W ± 2 ITT-Mot/Ph
 U++0002 50.04.1103 7,5 V 5%, 400W ± 2
 U++0003 50.04.0125 1N 4400 ± 5T
 IC10101 50.07.0015 MF 5532 N Sig.Extra
 IC10102 50.07.0015 MF 5532 N Sig.Extra
 IC10103 50.05.1044 LM 101 AN NS
 IC10104 50.05.1044 NE 5532 N Sig.Extra

STUDER (01) 87/11/25 OUTPUT AMPL. BOARD A 1.777.640.00 PAGE 1

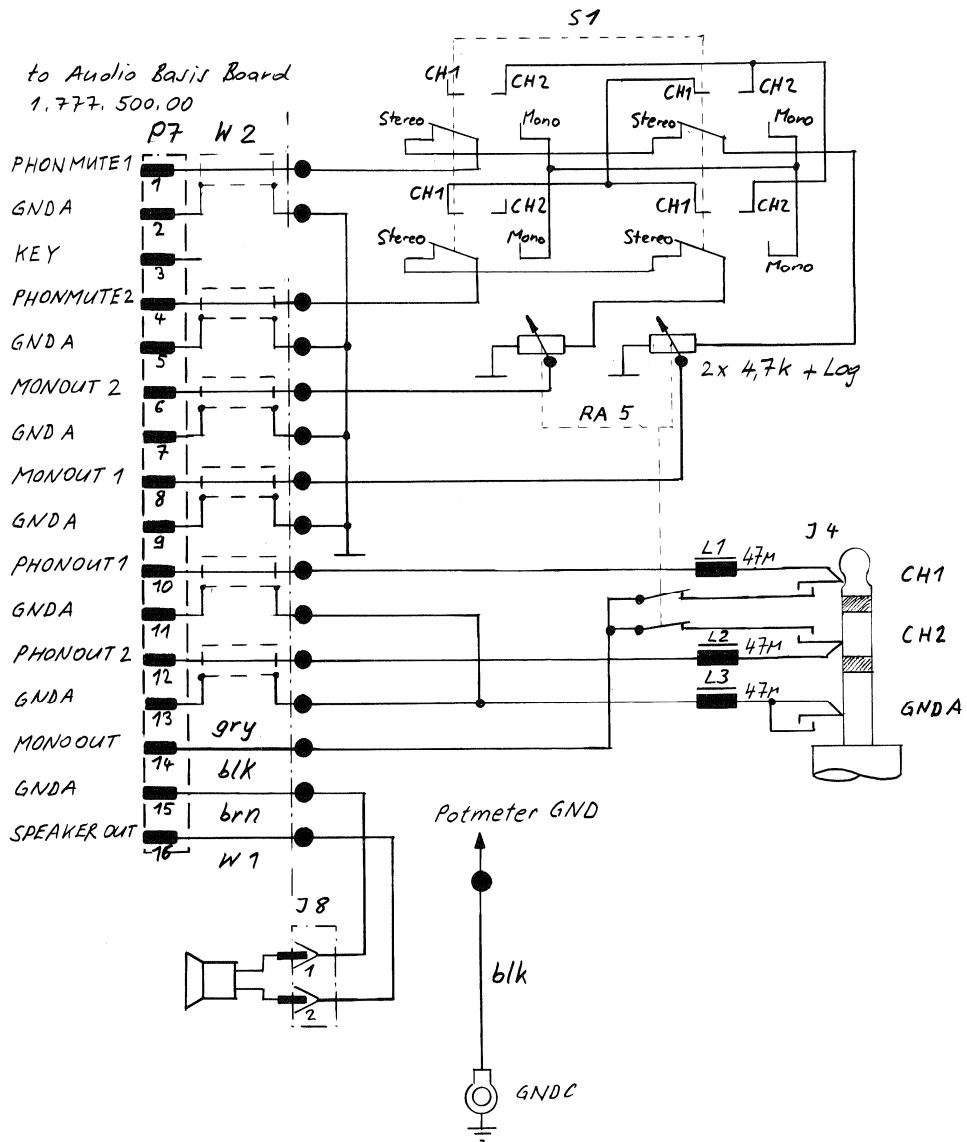
IND.	POS.ND.	PART NO.	VALUE	SPECIFICATIONS / EQUIVALENT	MANUF.
IC10202	50.07.0015			MF 5532 N	Mot/NS
IC10203	50.05.1044			LM 101 AN	NS
J++0001	54.01.0021	4 pcs		JUMPER	Bg
K++0001	56.04.0344	24V 42U	22UV / 2A	PRINT	Dem+zettler+SOS
(DP) MP0001	1.777.640.11			OUTPUT AMPL. PCB	St
(DI) MP0002	1.777.640.12			OUTPUT AMPL. PCB	St
MP0003	1.10.001.33			SRP	AMP
MP0003	28.21.1360			TUBULARRIVET	St
P++0001	54.01.0274	14 PDL		STRIP C15 ANGLES	AMP
P++0002	54.01.0279	19 PDL		STRIP C15 ANGLES	AMP
P++0003	54.01.0020	24 pcs		H=5/8/3/4	Bg
U++0001	50.03.1636			BC 237 B + BC 547 B	SierPh/Mot
U++0002	50.03.1635			BC 105-16	Ph/Mot/ITT
U++0101	50.03.10495			BC 135-16	Ph/SiS+Ph
U++0102	50.03.10495			BC 135-16	Ph/SiS+Ph
U++0201	50.03.10495			BC 135-16	Ph/SiS+Ph
U++0301	50.03.10495			BC 135-16	Ph/SiS+Ph
R++0001	57.11.4479	4,7	2%, 0207	MF	
R++0002	57.11.4102	1 K	2%, 0207	MF	
R++0003	57.11.4479	4,7	2%, 0207	MF	
R++0004	57.11.4102	1 K	2%, 0207	MF	
R++0005	57.11.4103	10 K	2%, 0207	MF	
R++0006	57.11.4682	6,8 K	2%, 0207	MF	
R++0007	57.11.4103	10 K	2%, 0207	MF	
R++0008	57.11.4472	4,7 K	2%, 0207	MF	
R++0009	57.11.4071	270	2%, 0207	MF	
R++0100	57.11.4224	220 K	2%, 0207	MF	
R++0101	57.11.4103	10 K	2%, 0207	MF	
R++0102	57.11.4222	2,2 K	2%, 0207	MF	
R++0103	57.11.4102	2,2 K	2%, 0207	MF	
R++0104	57.11.4022	8,2 K	2%, 0207	MF	

STUDER (01) 87/11/25 OUTPUT AMPL. BOARD A 1.777.640.00 PAGE 2

IND.	POS.ND.	PART NO.	VALUE	SPECIFICATIONS / EQUIVALENT	MANUF.
R++0105	57.11.4103	10 K	2%, 0207	MF	
R++0106	57.11.4103	10 K	2%, 0207	MF	
R++0107	57.11.4103	10 K	2%, 0207	MF	
R++0108	57.11.4103	10 K	2%, 0207	MF	
R++0109	57.11.4222	2,2 K	2%, 0207	MF	
R++0110	57.11.4471	470	2%, 0207	MF	
R++0111	57.11.4471	470	2%, 0207	MF	
R++0112	57.11.4474	470 K	2%, 0207	MF	
R++0113	57.11.4103	10 K	2%, 0207	MF	
R++0114	57.11.4101	100	2%, 0207	MF	
R++0115	57.11.4106	100 K	2%, 0207	MF	
R++0116	57.11.4103	10 K	2%, 0207	MF	
R++0117	57.11.4103	10 K	2%, 0207	MF	
R++0118	57.11.4103	10 K	2%, 0207	MF	
R++0119	57.11.4022	8,2 K	2%, 0207	MF	
R++0120	57.11.4113	11 K	1%, 0207	MF	
R++0121	57.11.4102	2,2 K	2%, 0207	MF	
R++0122	57.11.4100	10	2%, 0207	MF	
R++0123	57.11.4100	10	2%, 0207	MF	
R++0124	57.11.4470	47	2%, 0207	MF	
R++0125	57.11.4100	10	2%, 0207	MF	
R++0126	57.11.4130	15	2%, 0207	MF	
R++0127	57.11.4111	470	2%, 0207	MF	
R++0200	57.11.4224	220 K	2%, 0207	MF	
R++0201	57.11.4103	10 K	2%, 0207	MF	
R++0202	57.11.4222	2,2 K	2%, 0207	MF	
R++0203	57.11.4222	2,2 K	2%, 0207	MF	
R++0204	57.11.4022	8,2 K	2%, 0207	MF	
R++0205	57.11.4103	10 K	2%, 0207	MF	
R++0206	57.11.4103	10 K	2%, 0207	MF	
R++0207	57.11.4103	10 K	2%, 0207	MF	
R++0208	57.11.4184	180 K	2%, 0207	MF	
R++0209	57.11.4022	2,2 K	2%, 0207	MF	
R++0210	57.11.4471	470	2%, 0207	MF	
R++0211	57.11.4471	470	2%, 0207	MF	
R++0212	57.11.4474	470 K	2%, 0207	MF	
R++0213	57.11.4104	100 K	2%, 0207	MF	

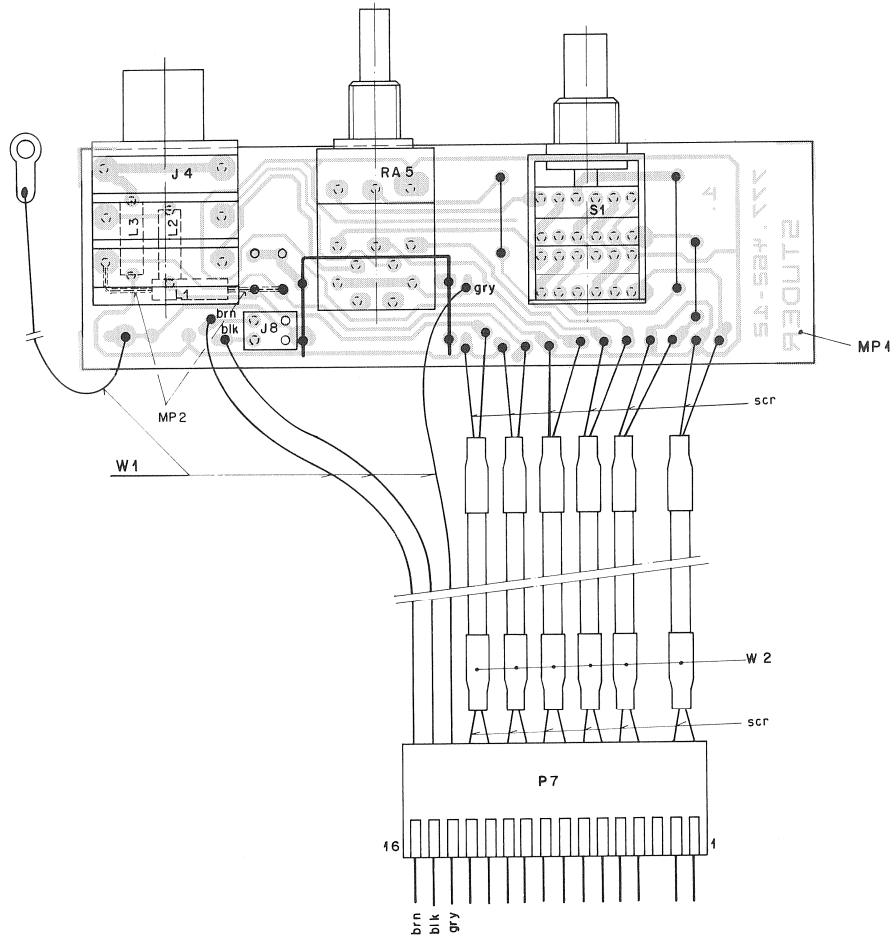
STUDER (01) 87/11/25 OUTPUT AMPL. BOARD A 1.777.640.00 PAGE 3

AUDIO SWITCH BOARD 1.777.462.00



① 19.1.87 Z. E.L.	② 12.8.87 J.M.E.L.	③ 10.12.87 J. M. E.L.	○ ..	○ ..
C270				PAGE 1 OF 1
STUDER SWITCH BOARD		SC 1.777.462.00		

AUDIO SWITCH BOARD 1.777.462.00



IND.	POS. NO.	PART NO.	VALUE	SPECIFICATIONS / EQUIVALENT	MANUF.
(01)	C..0001	59.32.3103		C 10 N ±20% CER	
(03)	C..0001	59.32.3103		not connected	
(01)	C..0002	59.32.3103		C 10 N ±20% CER	
(03)	C..0002			not connected	
(00)	C..0012	59.34.1101		C 100 P ±5% CER	
(01)	C..0012	59.06.0104		C 100 N ±10% PETP	
(03)	C..0012			not connected	
(03)	L..0001	62.01.0138		coil 47 Mikro	ph
(03)	L..0002	62.01.0138		coil 47 Mikro	ph
(03)	L..0003	62.01.0138		coil 47 Mikro	ph
(00)	J..0004	1.710.390.02		JACK STEREO	St
(01)	J..0008	54.11.0287	3 POL.	SOCKET STRIP CIS	AMP
(01)	J..0008	54.01.0204	2 POL.	SOCKET STRIP CIS	AMP
(00)	MP.0001	1.777.462.11		LEVEL-SWITCH PCB	St
(02)	MP.0001	1.777.462.12		LEVEL-SWITCH PCB	St
(03)	MP.0002	1.010.105.65	2 pcs	TUBE	St
	P..0007	54.01.0283	16 POL.	CASING CIS	AMP
	RA.0005	1.010.024.58		POT 4.7 K *LOG	Preh
	S..0001	1.725.810.02		ROTARY SWITCH	Alps
	W..0001	1.777.462.93		HL-SWITCH BOARD	St
	W..0002	1.777.462.94		KL-SWITCH BOARD	St

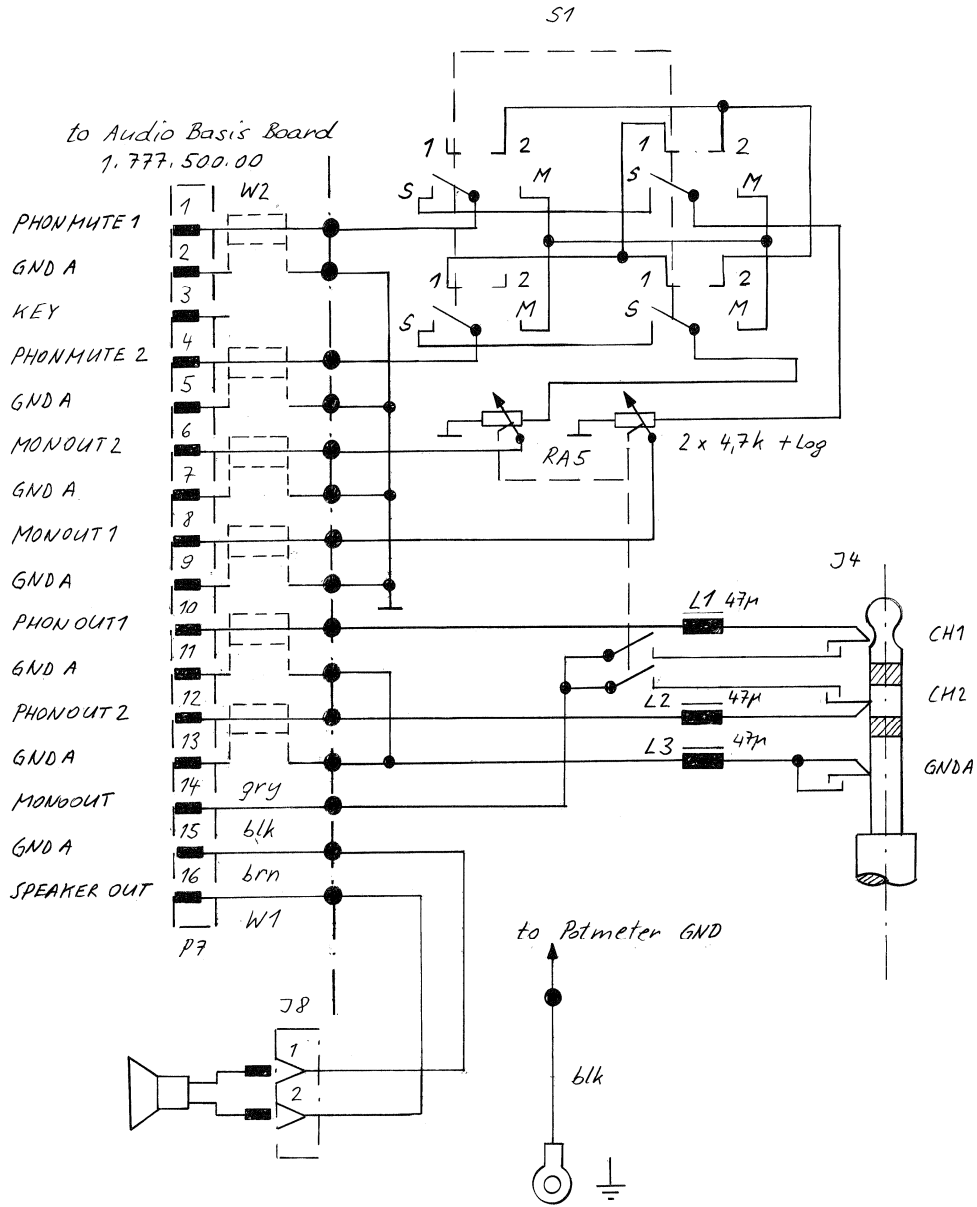
(01) 12.08.87 Value adjust
 (02) 15.11.87 PCB Revise
 (03) 10.12.87 FTZ Revise

MANUFACTURER: St=Studer, Alps=AlpsCo, AMP=AMP Incorporated, ph=Philips.

ORIG 87/01/20 (01) 87/08/12 (02) 87/11/15 (03) 87/12/10

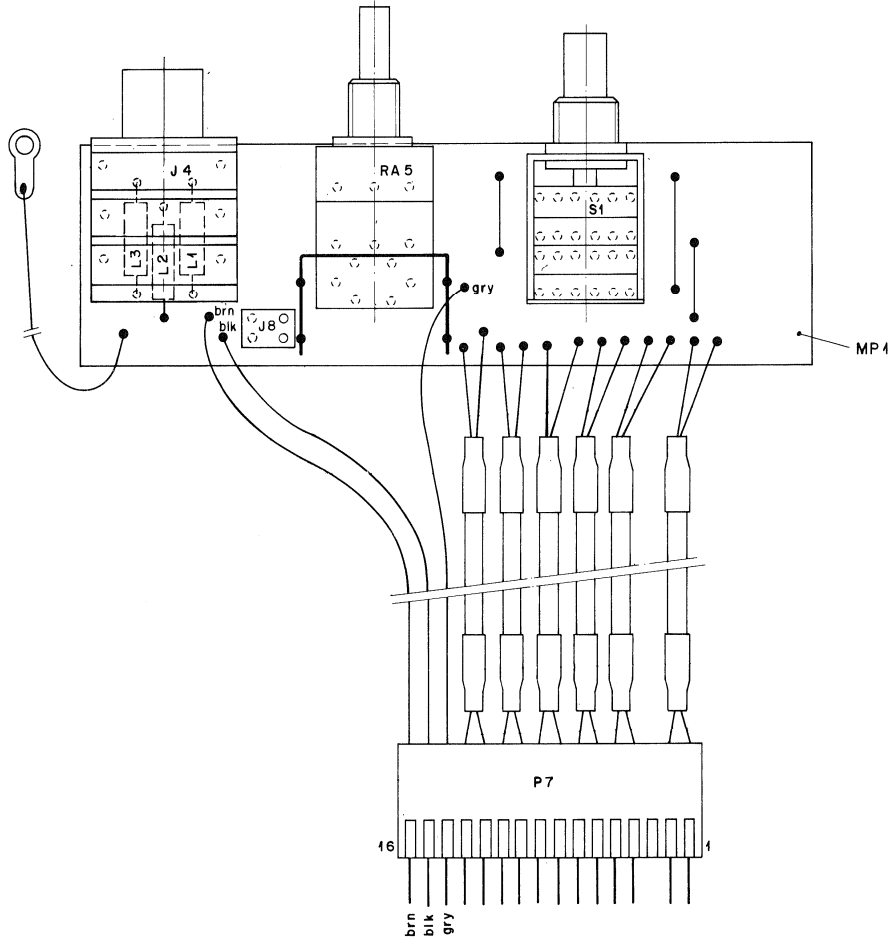
STUDER (03) 87/12/10 SWITCH BOARD 1.777.462.00 PAGE 1

SWITCH BOARD 1.777.463.00



© 161287 J.v.H.	○ ..	○ ..	○ ..	○ ..
C 270	PAGE 1 OF 1			
STUDER	SWITCH BOARD		SC	1.777.463-00

SWITCH BOARD 1.777.463.00



IND.	POS.NO.	PART NO.	VALUE	SPECIFICATIONS / EQUIVALENT	MANUF.
L..0001		62.01.0138		coil 47 Mikro	ph
L..0002		62.01.0138		coil 47 Mikro	ph
L..0003		62.01.0138		coil 47 Mikro	ph
J..0004		1.710.350.02		JACK STEREO	St
J..0008		54.01.0204	2 POL.	SOCKET STRIP CIS	AMP
MP.0001		1.777.462.13		LEVEL-SWITCH PCB	St
P..0007		54.01.0283	16 POL.	CASING CIS	AMP
RA.0005		1.010.024.58		POT 4.7 K +LOG	Preh
S..0001		1.725.810.02		ROTARY SWITCH	Alps
W..0001		1.777.462.93		WL-SWITCH BOARD	St
W..0002		1.777.462.94		KL-SWITCH BOARD	St

MANUFACTURER: St=Studer, Alps=Alps&Co, AMP=AMP Incorporated, ph=Philips.

ORIG 87/12/20

STUDER (00) 87/12/20

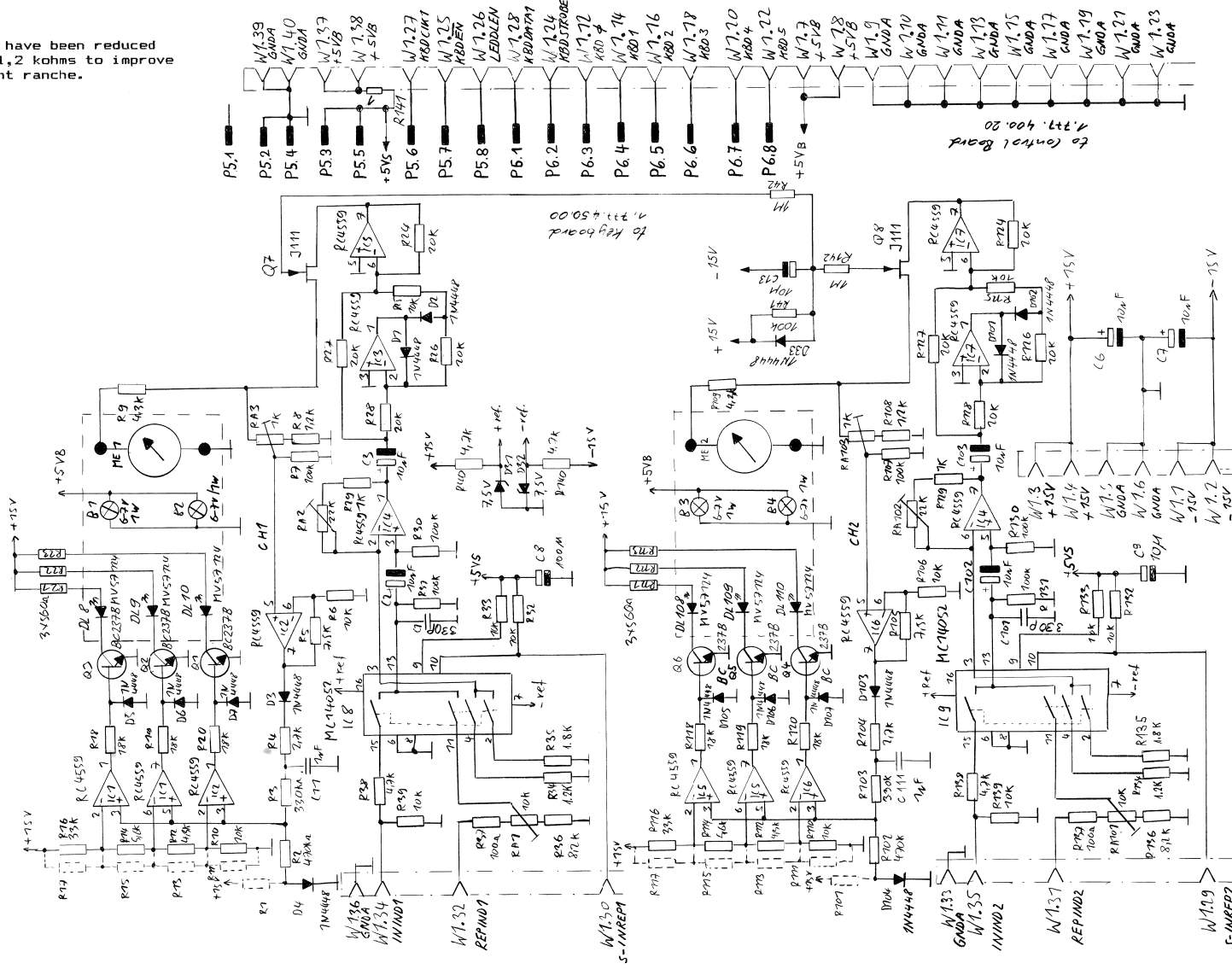
SWITCH BOARD

1.777.463.00 PAGE 1

VU-PEAK BOARD 1.777.460.00



Note:
R34 and R134 have been reduced
from 1,8 to 1,2 kohms to improve
the adjustment ranche.

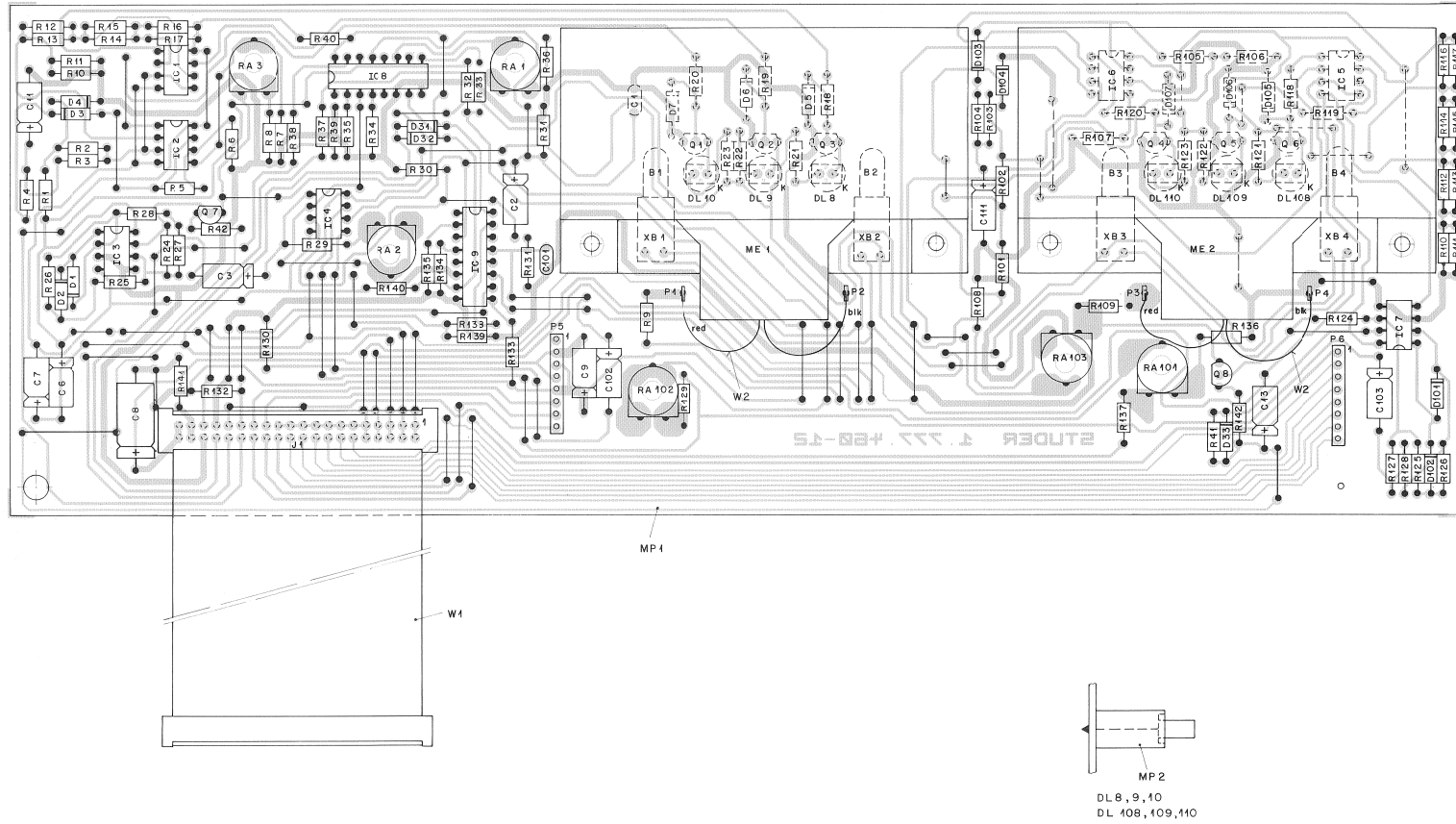


to Control Board
1.777.400.20

to Key board
1.777.450.00

① 21.1.87	② 12.8.87	③ 3.2.88	④ J.W.F. E.
C270			
"ESE" SC			
VU-PEAK-BOARD			
1.777.460.00			
			PAGE 1 OF 1

VU-PEAK BOARD 1.777.460.00





VU-PEAK BOARD 1.777.460.00

Table with columns: IND., POS.-NO., PART NO., VALUE, SPECIFICATIONS / EQUIVALENT, MANUF., and a second set of the same columns. It lists various electronic components like resistors, capacitors, and integrated circuits.

STUDER (03) 88/02/03 VU-PEAK-BOARD A 1.777.460.00 PAGE 1 STUDER (05) 88/12/01 VU-PEAK-BOARD A PL 1.777.460.00 PAGE 4

Table with columns: IND., POS.-NO., PART NO., VALUE, SPECIFICATIONS / EQUIVALENT, MANUF., and a second set of the same columns. It lists components such as meters, PCBs, and holders.

STUDER (03) 88/02/03 VU-PEAK-BOARD A 1.777.460.00 PAGE 2 STUDER (05) 88/12/01 VU-PEAK-BOARD A PL 1.777.460.00 PAGE 5

Table with columns: IND., POS.-NO., PART NO., VALUE, SPECIFICATIONS / EQUIVALENT, MANUF., and a second set of the same columns. It lists components like switches, meters, and adjustment potentiometers.

STUDER (03) 88/02/03 VU-PEAK-BOARD A 1.777.460.00 PAGE 3 STUDER (05) 88/12/01 VU-PEAK-BOARD A PL 1.777.460.00 PAGE 6