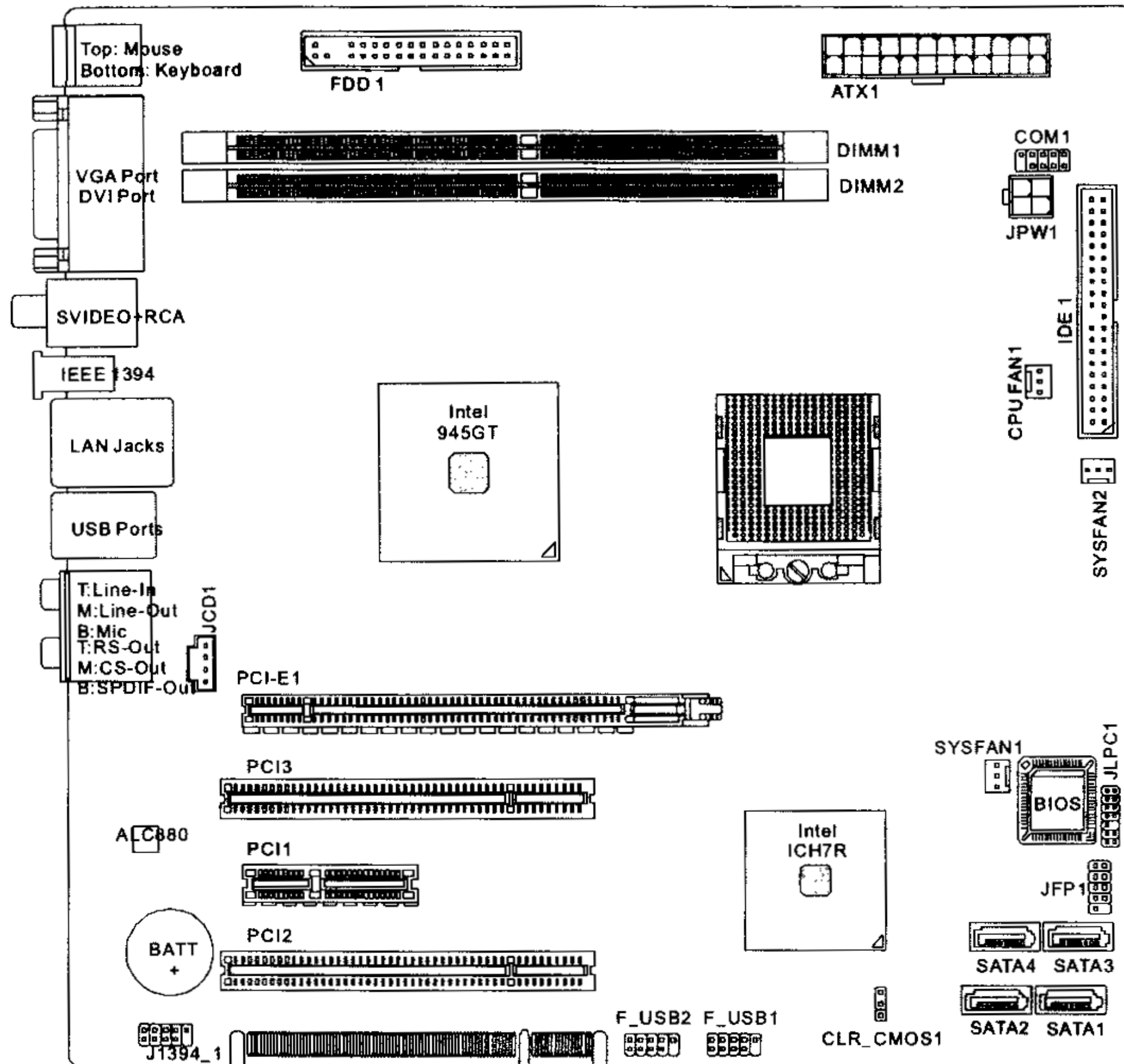


DIAGRAMS: DESK MODULES

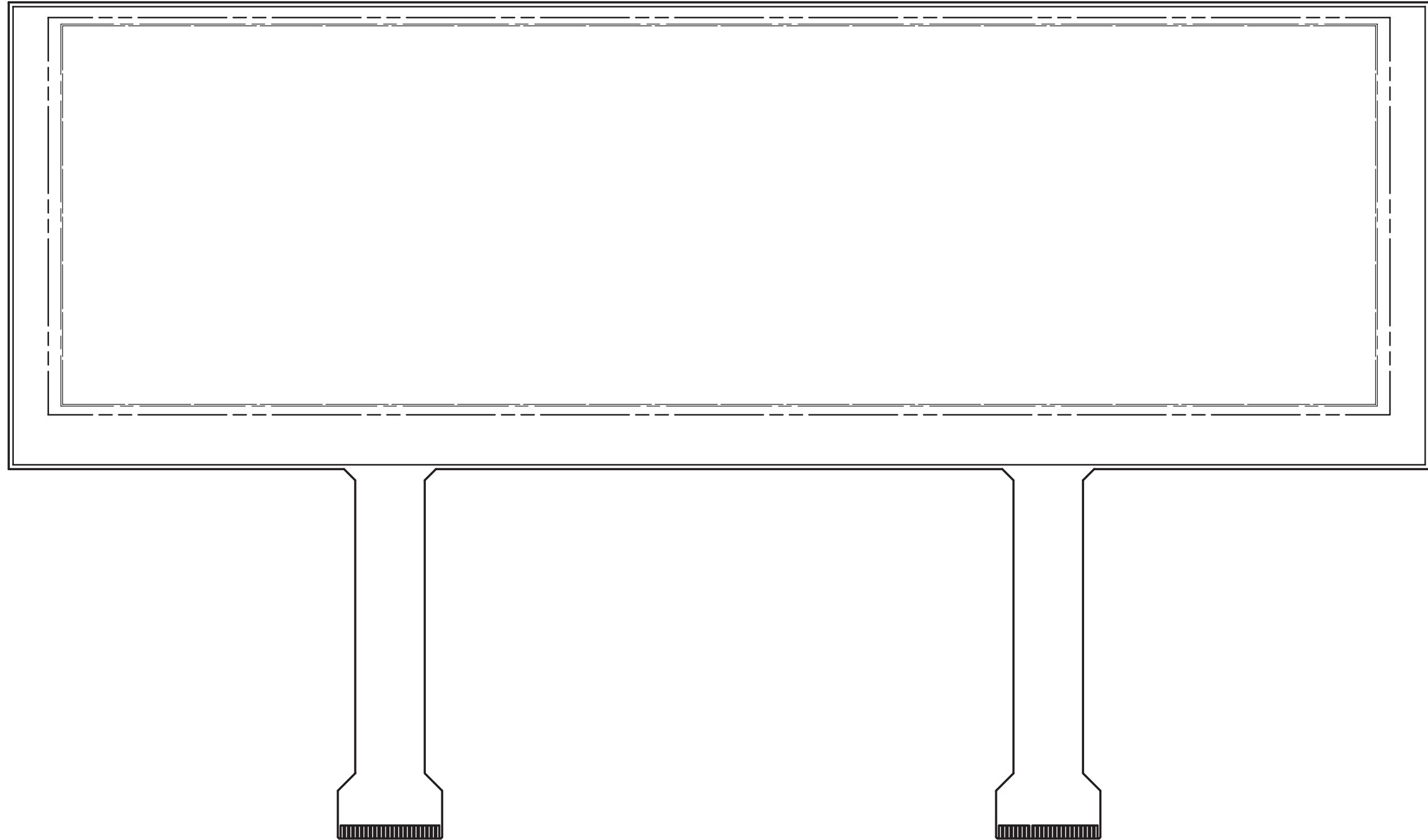
Name	Assembly no.
Motherboard	89.20.1163
PSU	89.20.2015
Touch Panel	1.949.070.20
Encoder PCB	1.949.073.00
Encoder PCB, Wide	1.949.074.00
Distribution PCB	1.949.810.00
* Distribution PCB	1.949.810.81
Monitoring Audio PCB	1.949.815.20
Monitoring Connector PCB	1.949.816.00
Illumination PCB	1.949.818.00
Illumination PCB	1.949.819.00
Illumination PCB	1.949.819.81
Control PCB	1.949.820.20
Fader Front PCB	1.949.830.00
Fader Front PCB, Extended	1.949.831.00
Fader Front Control PCB	1.949.832.00
Fader Front Rem PCB	1.949.833.00
Master Front PCB	1.949.834.00
Master Front PCB	1.949.834.81
Studio Monitor Front PCB	1.949.836.00
Mode Select PCB	1.949.838.00
Fader Driver PCB	1.949.840.00

* **Note:** *This PCB is not a direct replacement for the earlier ...00 version - HW and SW modifications required!*

Motherboard 89.20.1163 (0)



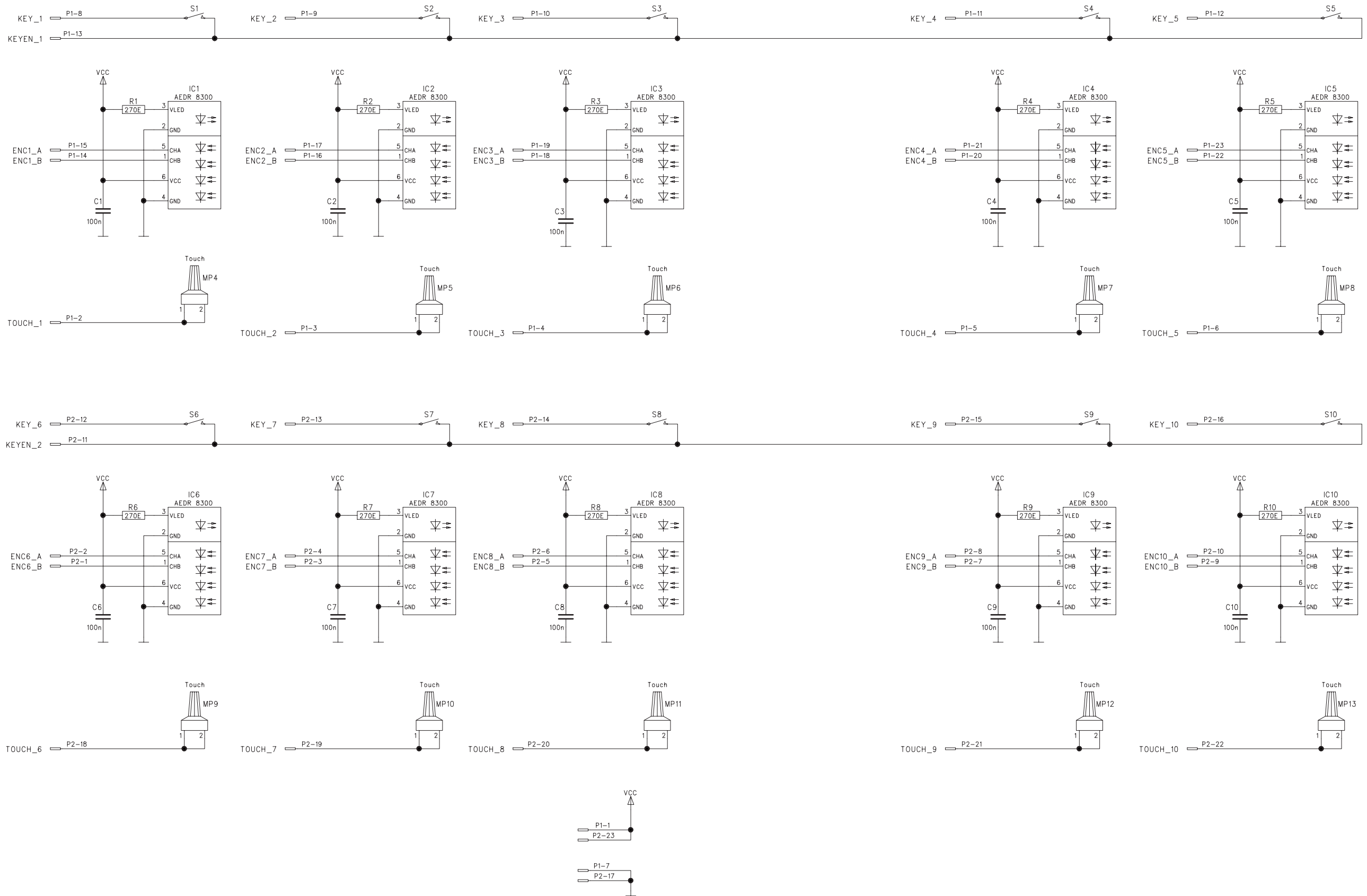
Touch Panel 1.949.070.20 (0)



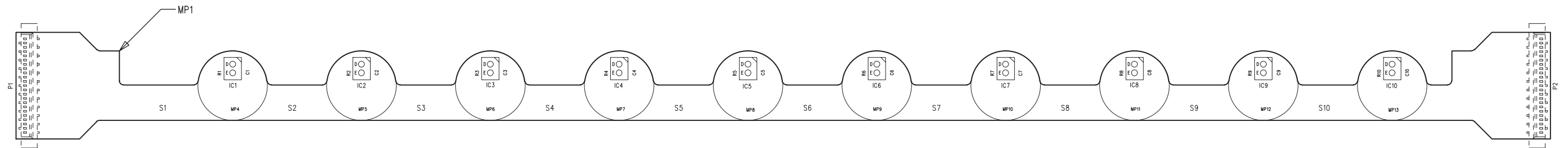
Edition	23.11.07	WR	ML	GP	©
Ausgabe					
Date		Visa	Okret	Seen	Index
Datum		Gez.	Sepr.	Ges.	
Original Size:	A2	Page:	1/1		
Originalformat:		Seite:			
Number:	1.949.070.20				

STUDER
REGENSDORF
Description:
Bezeichnung: *Touchpanel*

Encoder PCB 1.949.073.00 (1)



Encoder PCB 1.949.073.00 (1)



Date printed: 23.10.07

12.04.2006		PG	IML	.
0	1	1	1	1
STUDER		ENCODER BOARD "ESE"		1.949.073.00

Encoder PCB 1.949.073.00 (0)

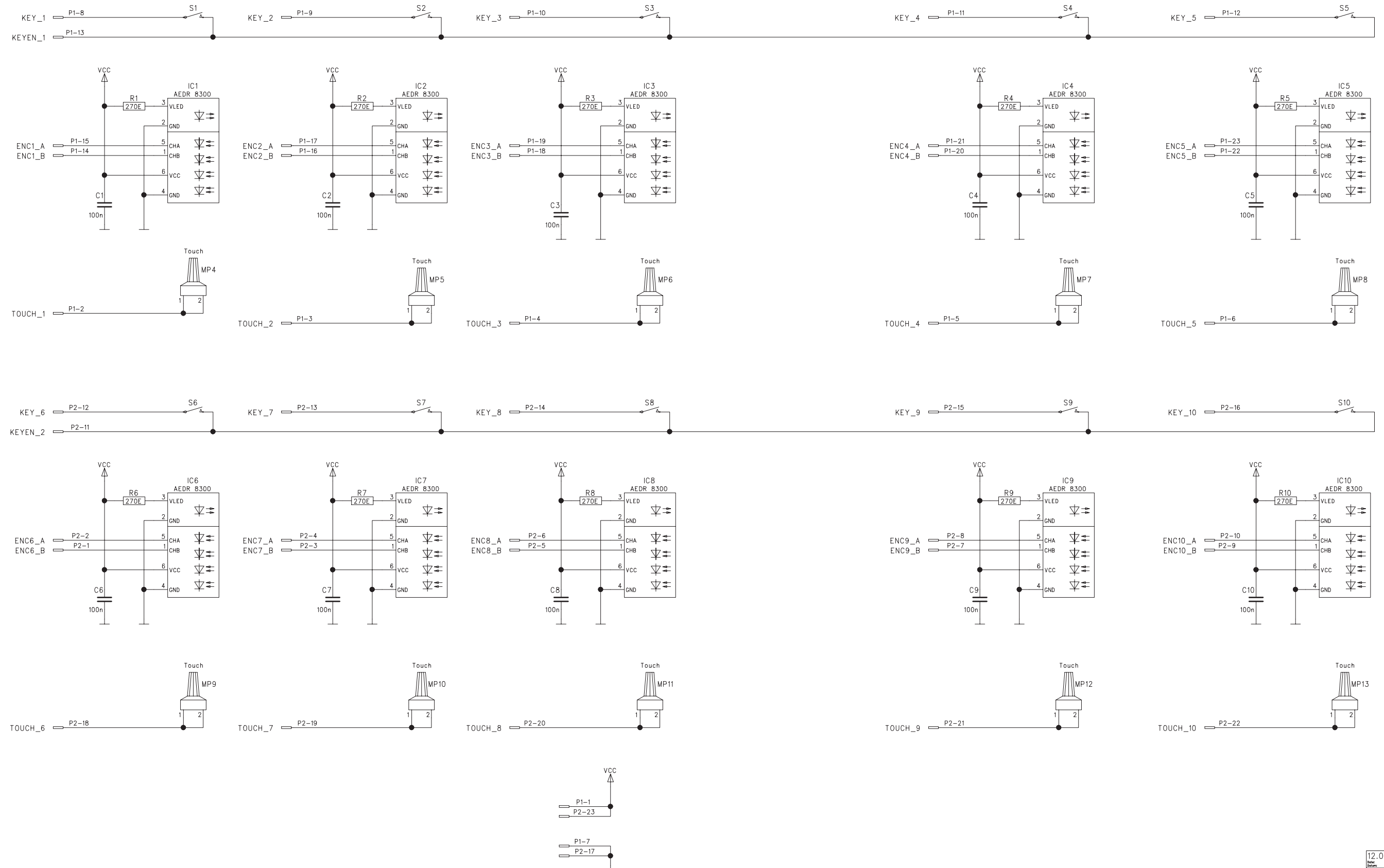
Idx. Pos.	Part No.	Qty.	Type/Val.	Description
0 C 1	59.60.3337	1 pce	100n	CER 50V, 10%, X7R, 0805
0 C 2	59.60.3337	1 pce	100n	CER 50V, 10%, X7R, 0805
0 C 3	59.60.3337	1 pce	100n	CER 50V, 10%, X7R, 0805
0 C 4	59.60.3337	1 pce	100n	CER 50V, 10%, X7R, 0805
0 C 5	59.60.3337	1 pce	100n	CER 50V, 10%, X7R, 0805
0 C 6	59.60.3337	1 pce	100n	CER 50V, 10%, X7R, 0805
0 C 7	59.60.3337	1 pce	100n	CER 50V, 10%, X7R, 0805
0 C 8	59.60.3337	1 pce	100n	CER 50V, 10%, X7R, 0805
0 C 9	59.60.3337	1 pce	100n	CER 50V, 10%, X7R, 0805
0 C 10	59.60.3337	1 pce	100n	CER 50V, 10%, X7R, 0805
0 IC 1	50.60.9502	1 pce	AEDR8300 1K0	Lichtschranke reflektiv
0 IC 2	50.60.9502	1 pce	AEDR8300 1K0	Lichtschranke reflektiv
0 IC 3	50.60.9502	1 pce	AEDR8300 1K0	Lichtschranke reflektiv
0 IC 4	50.60.9502	1 pce	AEDR8300 1K0	Lichtschranke reflektiv
0 IC 5	50.60.9502	1 pce	AEDR8300 1K0	Lichtschranke reflektiv
0 IC 6	50.60.9502	1 pce	AEDR8300 1K0	Lichtschranke reflektiv
0 IC 7	50.60.9502	1 pce	AEDR8300 1K0	Lichtschranke reflektiv
0 IC 8	50.60.9502	1 pce	AEDR8300 1K0	Lichtschranke reflektiv
0 IC 9	50.60.9502	1 pce	AEDR8300 1K0	Lichtschranke reflektiv
0 IC 10	50.60.9502	1 pce	AEDR8300 1K0	Lichtschranke reflektiv
0 MP 1	1.949.073.11	1 pce		Encoder PCB
0 MP 2	1.949.073.10	1 pce		NR. ETIKETTE 5x20
0 MP 3	43.01.0108	1 pce	Label	ESE-Warnschild
0 P 1	54.60.0451	1 pce	23p	1.0mm FFC Steck-Verbinder
0 P 2	54.60.0451	1 pce	23p	1.0mm FFC Steck-Verbinder
0 R 1	57.69.1059	1 pce	270R	CF 5% 0603
0 R 2	57.69.1059	1 pce	270R	CF 5% 0603
0 R 3	57.69.1059	1 pce	270R	CF 5% 0603
0 R 4	57.69.1059	1 pce	270R	CF 5% 0603
0 R 5	57.69.1059	1 pce	270R	CF 5% 0603
0 R 6	57.69.1059	1 pce	270R	CF 5% 0603
0 R 7	57.69.1059	1 pce	270R	CF 5% 0603
0 R 8	57.69.1059	1 pce	270R	CF 5% 0603
0 R 9	57.69.1059	1 pce	270R	CF 5% 0603
0 R 10	57.69.1059	1 pce	270R	CF 5% 0603

Idx. Pos.	Part No.	Qty.	Type/Val.	Description
-----------	----------	------	-----------	-------------

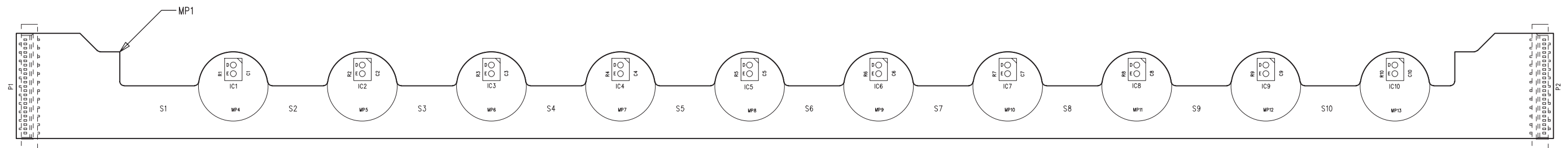
End of List

Comments:

Encoder PCB, wide 1.949.074.00 (0)



Encoder PCB, wide 1.949.074.00 (0)



Date printed: 23.10.07

12.04.2006		PG	ML	.
Date	Issue	Page	Quantity	Count
0		0	1	
STUDER		ENCODER BOARD WIDE "ESE"		1.949.074.00

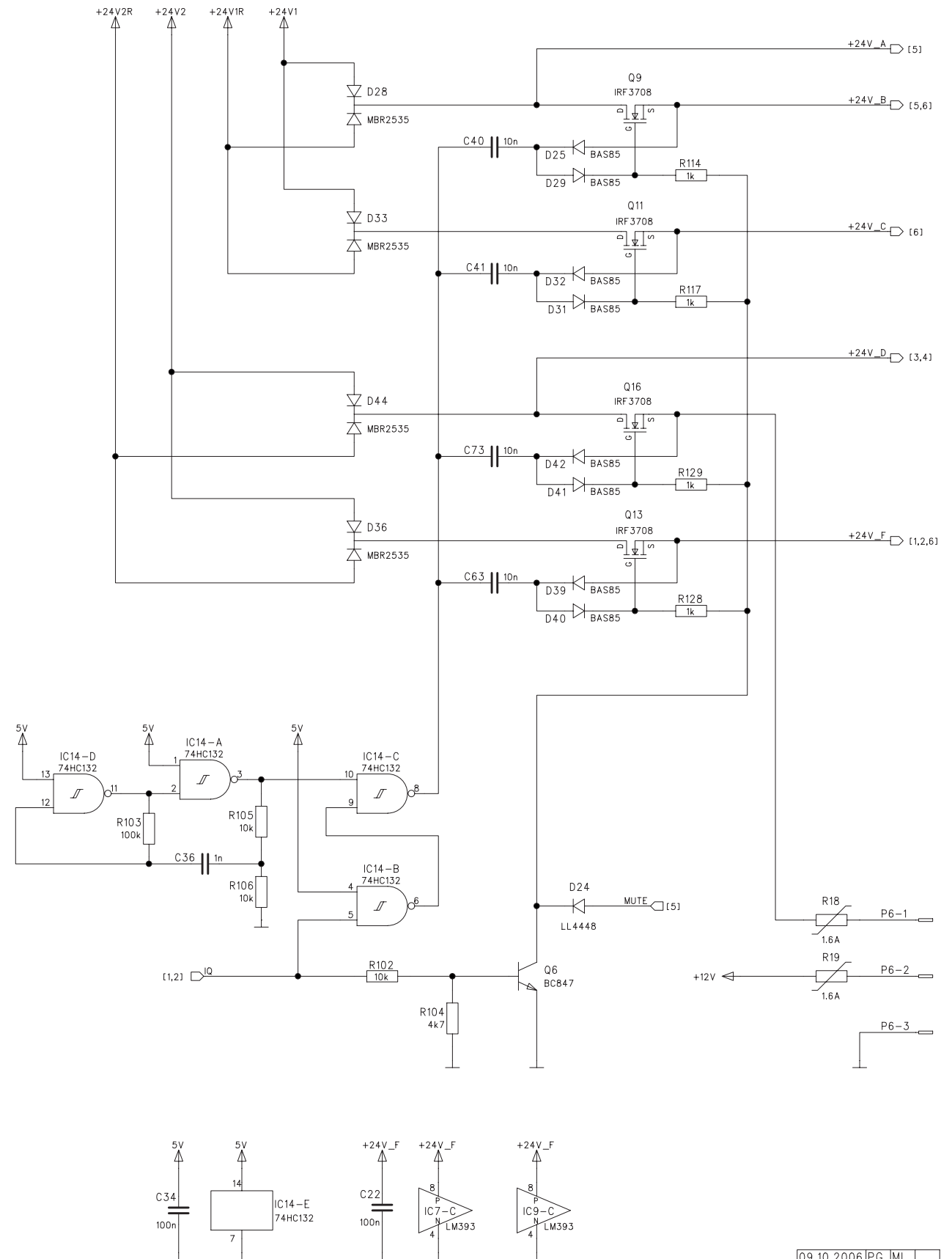
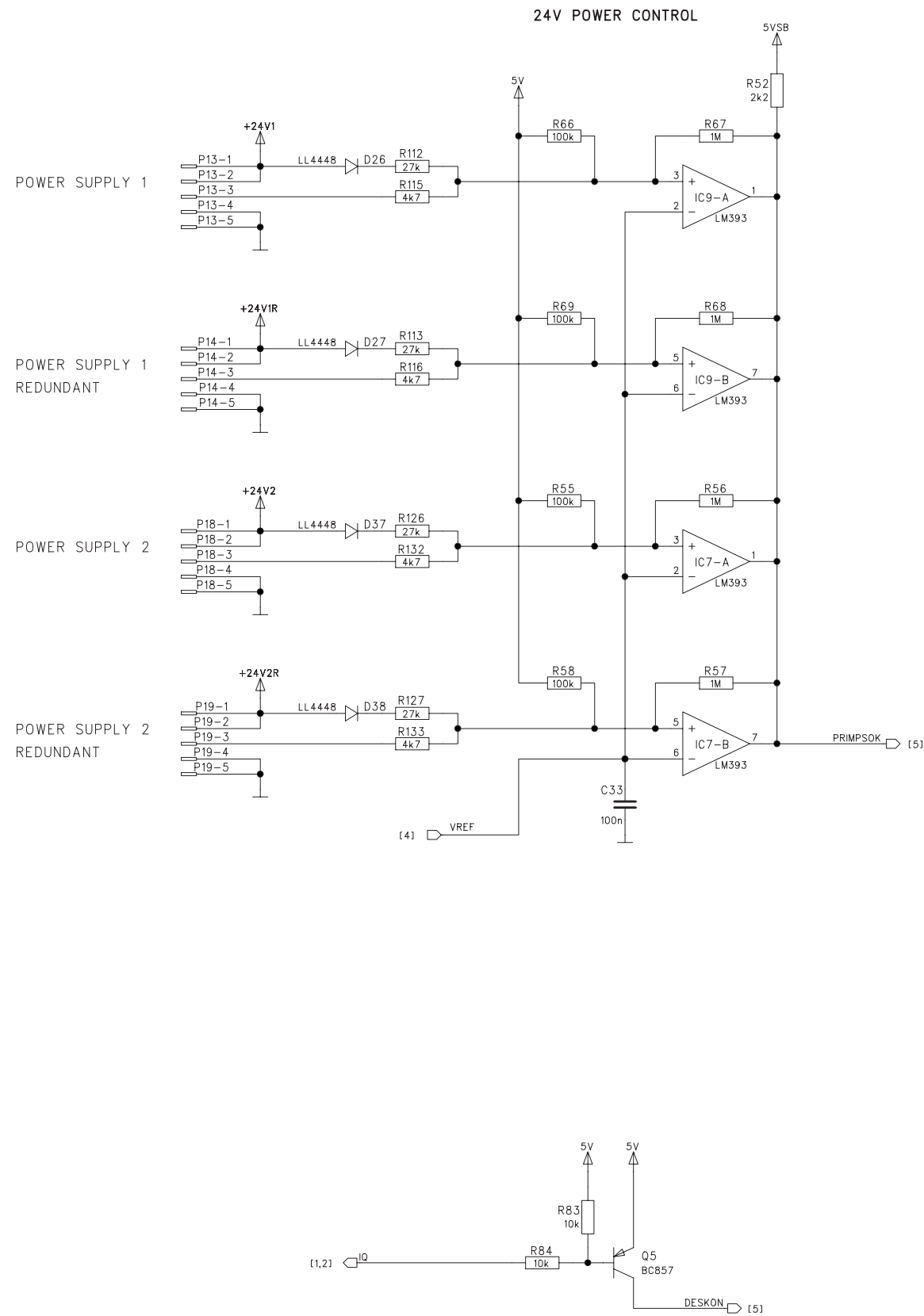
Encoder PCB, Wide 1.949.074.00 (0)

Idx. Pos.	Part No.	Qty.	Type/Val.	Description
0 C 1	59.60.3337	1 pce	100n	CER 50V, 10%, X7R, 0805
0 C 2	59.60.3337	1 pce	100n	CER 50V, 10%, X7R, 0805
0 C 3	59.60.3337	1 pce	100n	CER 50V, 10%, X7R, 0805
0 C 4	59.60.3337	1 pce	100n	CER 50V, 10%, X7R, 0805
0 C 5	59.60.3337	1 pce	100n	CER 50V, 10%, X7R, 0805
0 C 6	59.60.3337	1 pce	100n	CER 50V, 10%, X7R, 0805
0 C 7	59.60.3337	1 pce	100n	CER 50V, 10%, X7R, 0805
0 C 8	59.60.3337	1 pce	100n	CER 50V, 10%, X7R, 0805
0 C 9	59.60.3337	1 pce	100n	CER 50V, 10%, X7R, 0805
0 C 10	59.60.3337	1 pce	100n	CER 50V, 10%, X7R, 0805
0 IC 1	50.60.9502	1 pce	AEDR8300 1K0	Lichtschranke reflektiv
0 IC 2	50.60.9502	1 pce	AEDR8300 1K0	Lichtschranke reflektiv
0 IC 3	50.60.9502	1 pce	AEDR8300 1K0	Lichtschranke reflektiv
0 IC 4	50.60.9502	1 pce	AEDR8300 1K0	Lichtschranke reflektiv
0 IC 5	50.60.9502	1 pce	AEDR8300 1K0	Lichtschranke reflektiv
0 IC 6	50.60.9502	1 pce	AEDR8300 1K0	Lichtschranke reflektiv
0 IC 7	50.60.9502	1 pce	AEDR8300 1K0	Lichtschranke reflektiv
0 IC 8	50.60.9502	1 pce	AEDR8300 1K0	Lichtschranke reflektiv
0 IC 9	50.60.9502	1 pce	AEDR8300 1K0	Lichtschranke reflektiv
0 IC 10	50.60.9502	1 pce	AEDR8300 1K0	Lichtschranke reflektiv
0 MP 1	1.949.074.11	1 pce		Encoder PCB wide
0 MP 2	1.949.074.10	1 pce		NR. ETIKETTE 5x20
0 MP 3	43.01.0108	1 pce	Label	ESE-Warnschild
0 P 1	54.60.0451	1 pce	23p	1.0mm FFC Steck-Verbinder
0 P 2	54.60.0451	1 pce	23p	1.0mm FFC Steck-Verbinder
0 R 1	57.69.1059	1 pce	270R	CF 5% 0603
0 R 2	57.69.1059	1 pce	270R	CF 5% 0603
0 R 3	57.69.1059	1 pce	270R	CF 5% 0603
0 R 4	57.69.1059	1 pce	270R	CF 5% 0603
0 R 5	57.69.1059	1 pce	270R	CF 5% 0603
0 R 6	57.69.1059	1 pce	270R	CF 5% 0603
0 R 7	57.69.1059	1 pce	270R	CF 5% 0603
0 R 8	57.69.1059	1 pce	270R	CF 5% 0603
0 R 9	57.69.1059	1 pce	270R	CF 5% 0603
0 R 10	57.69.1059	1 pce	270R	CF 5% 0603

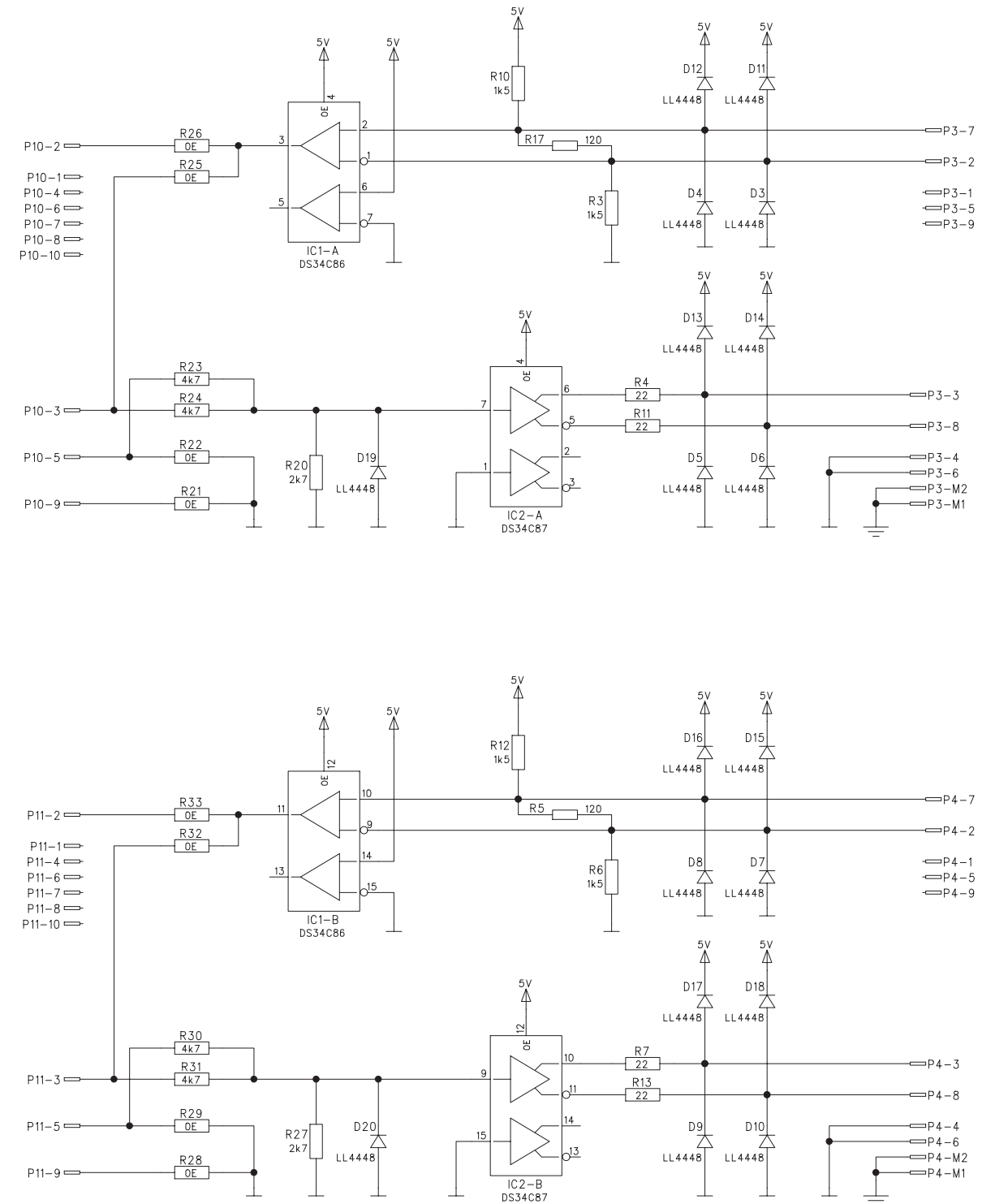
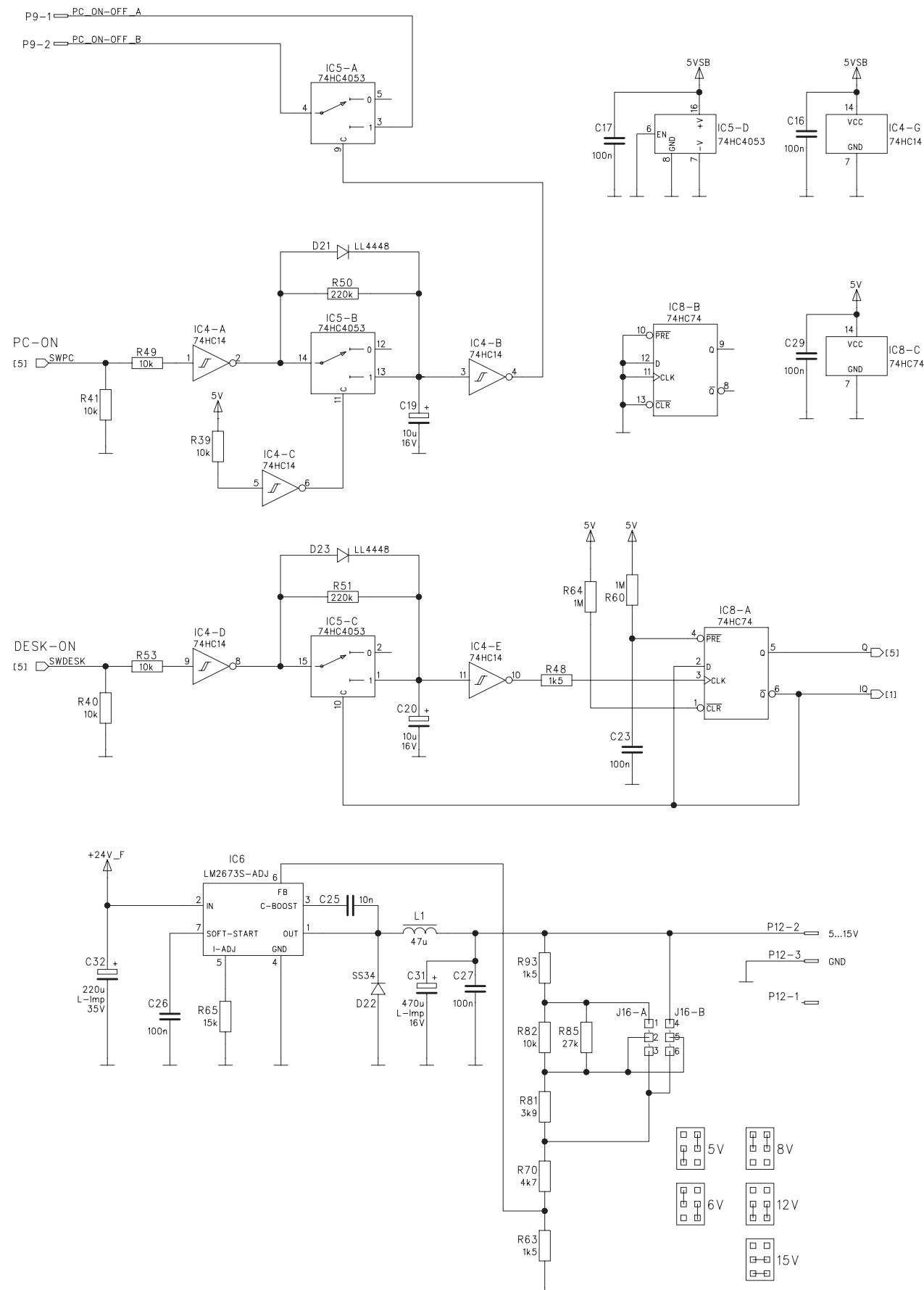
Idx. Pos.	Part No.	Qty.	Type/Val.	Description
-----------	----------	------	-----------	-------------

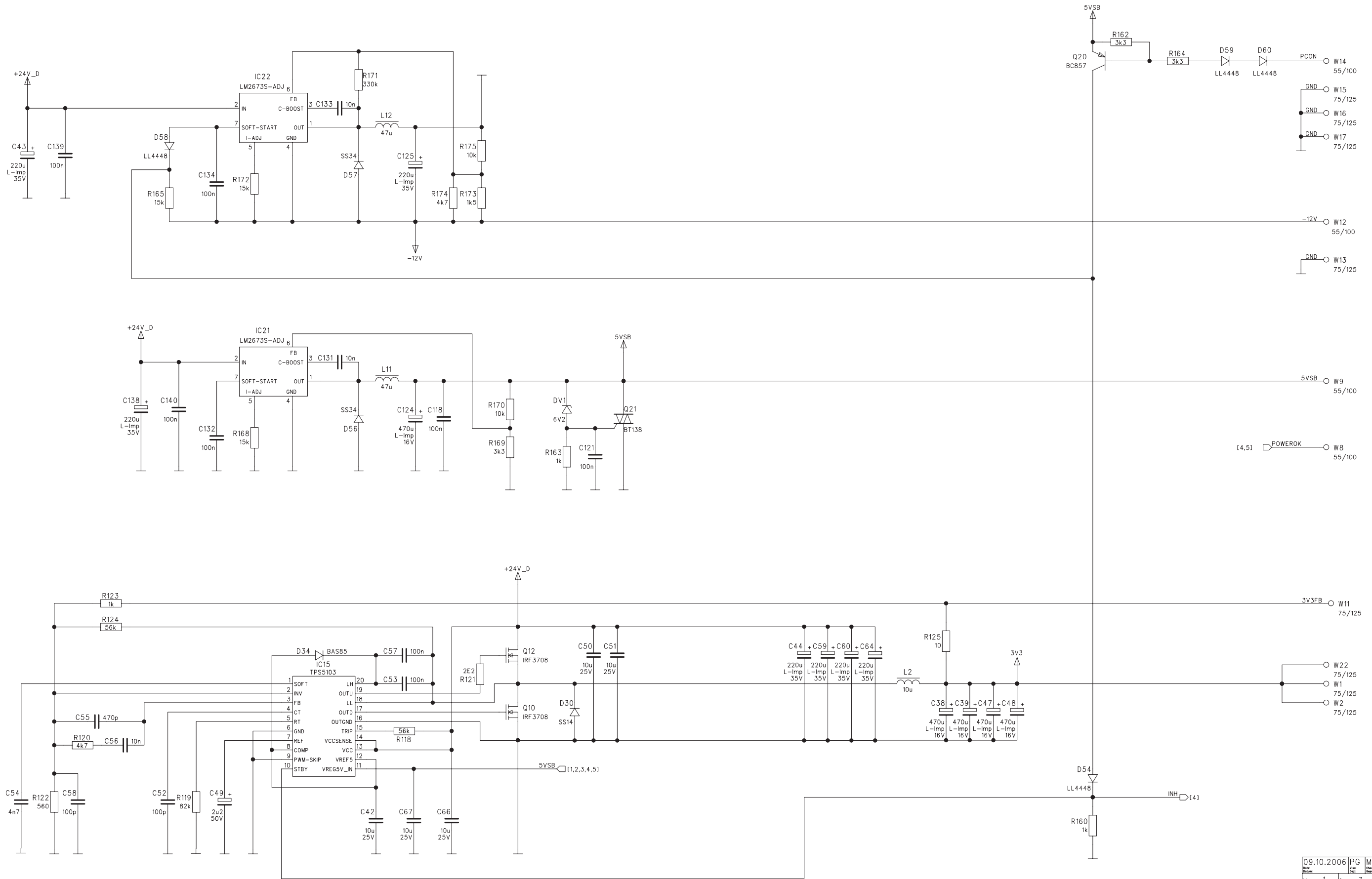
End of List

Comments:



Distribution PCB 1.949.810.00 (1)

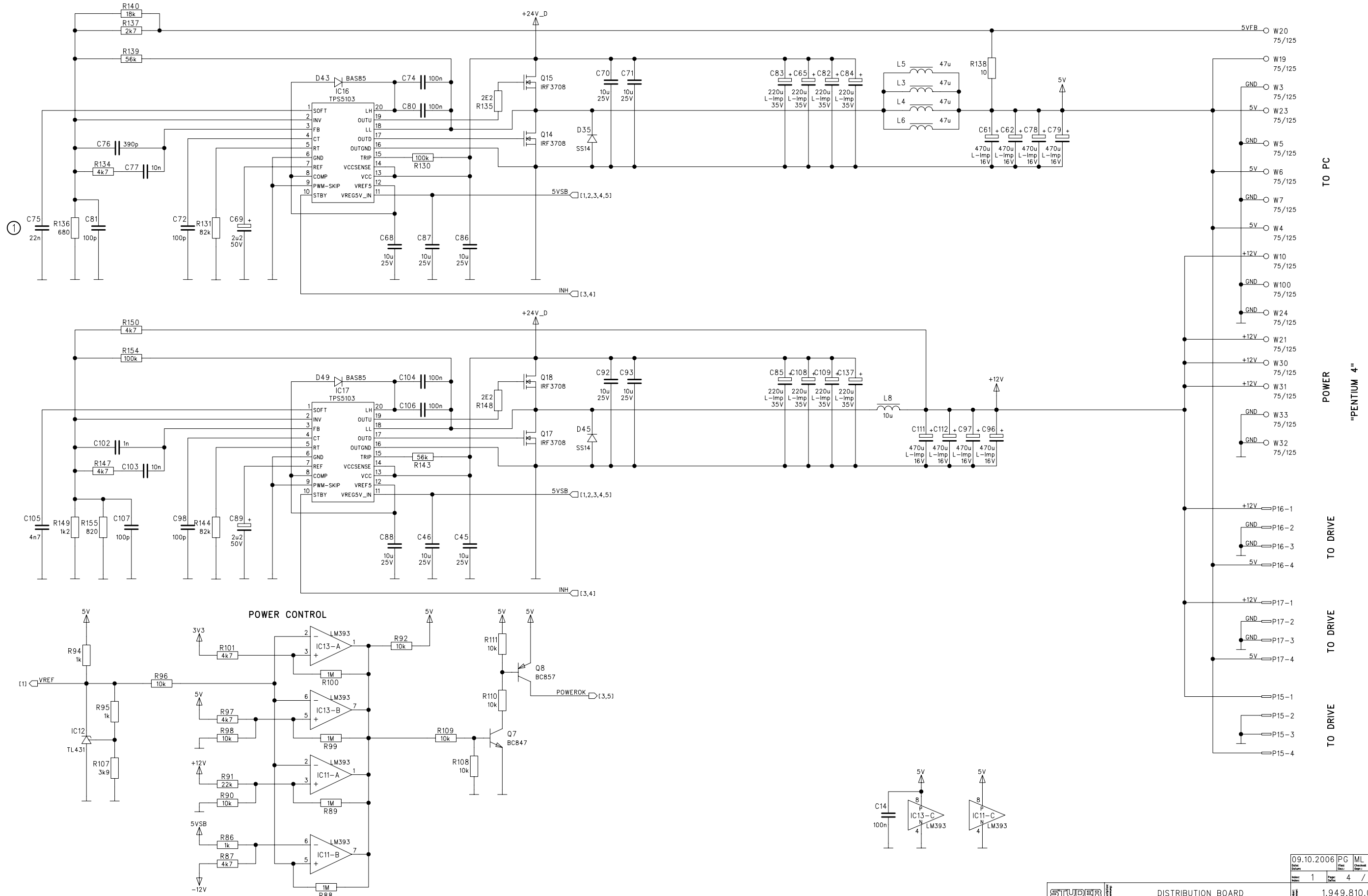


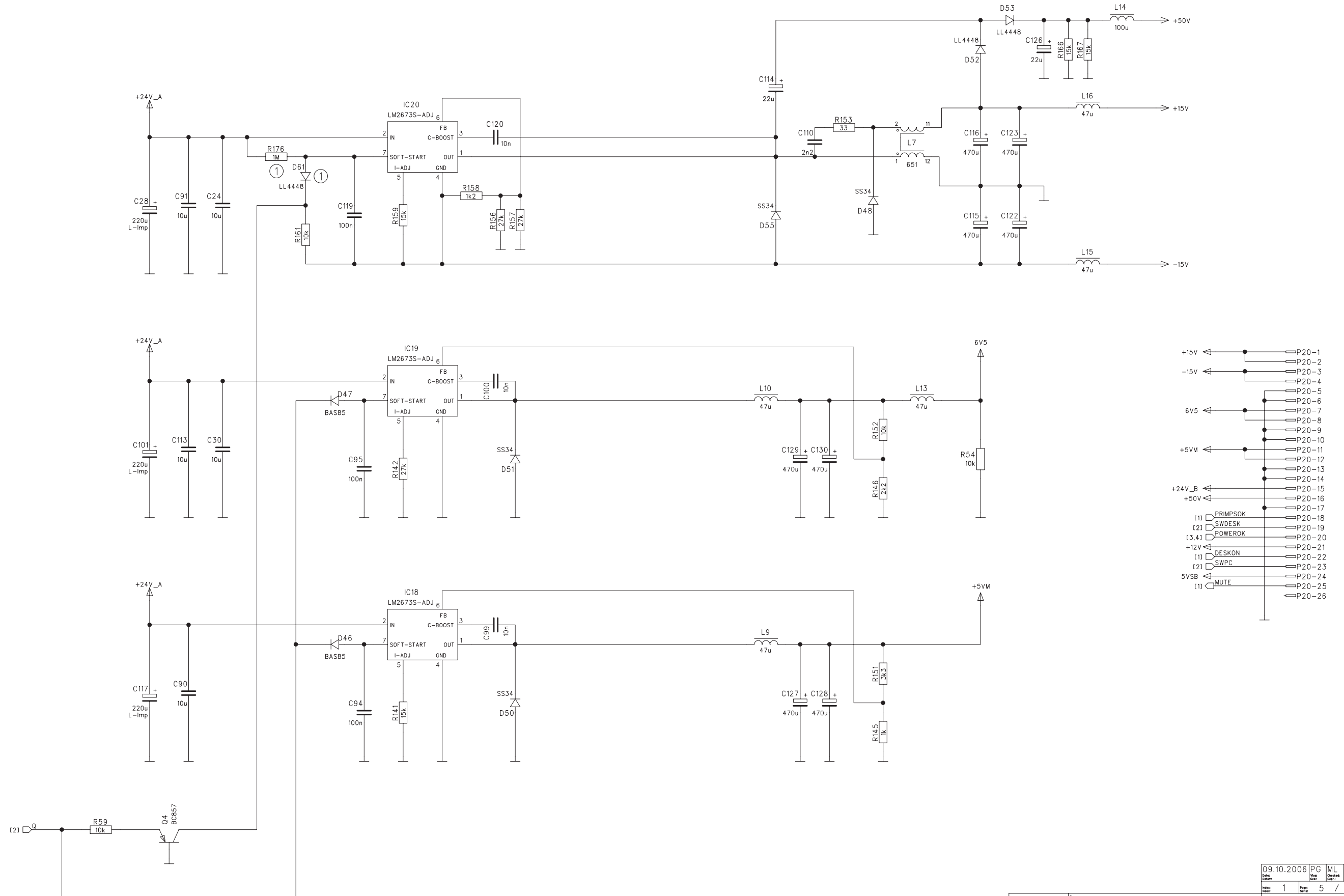


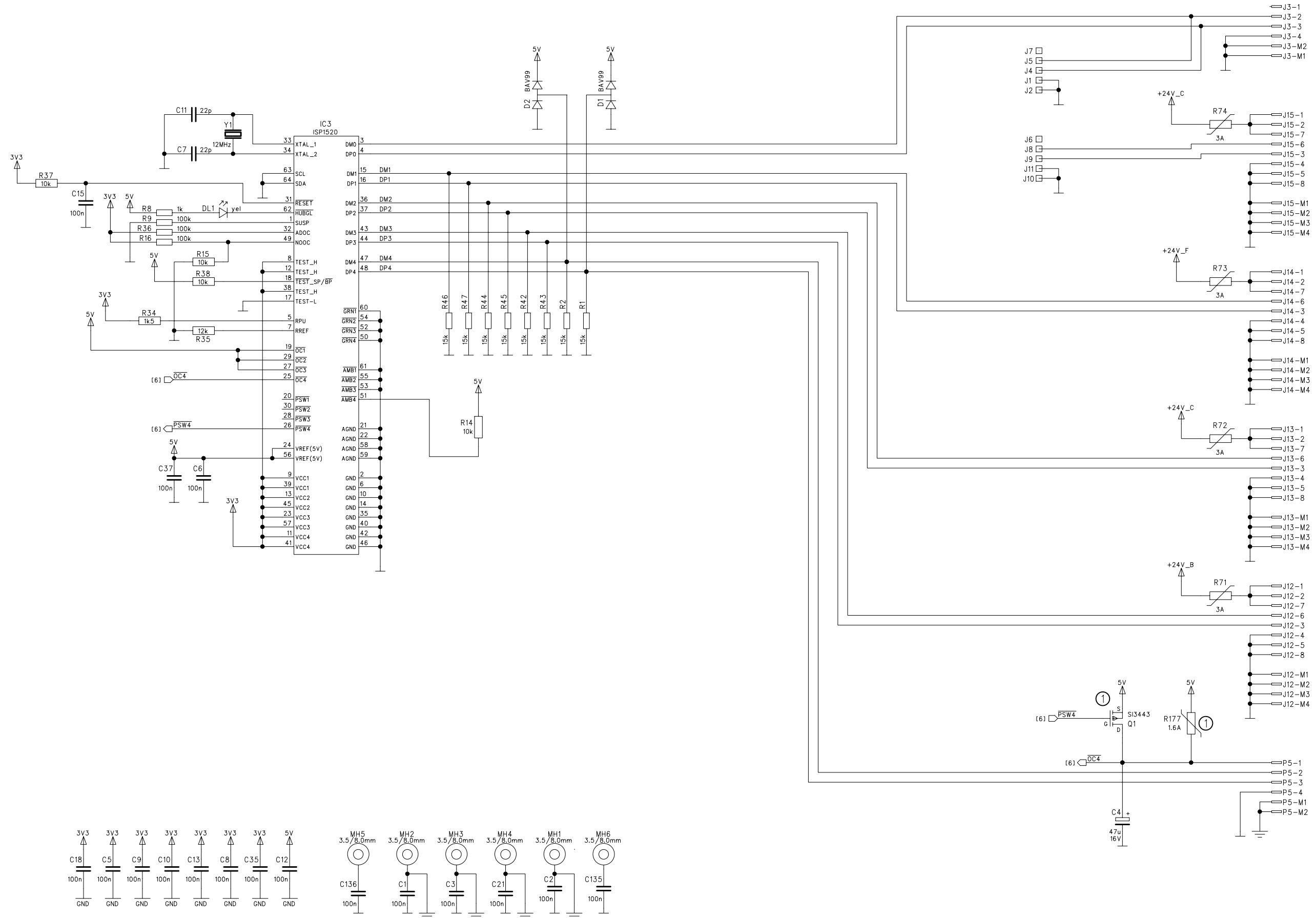
TO PC

Date:	09.10.2006	PG:	IML	1
Issue:	1	Page:	3	6
Checked:		Checked:		
Drawn:		Drawn:		

Distribution PCB 1.949.810.00 (1)







BAY 4

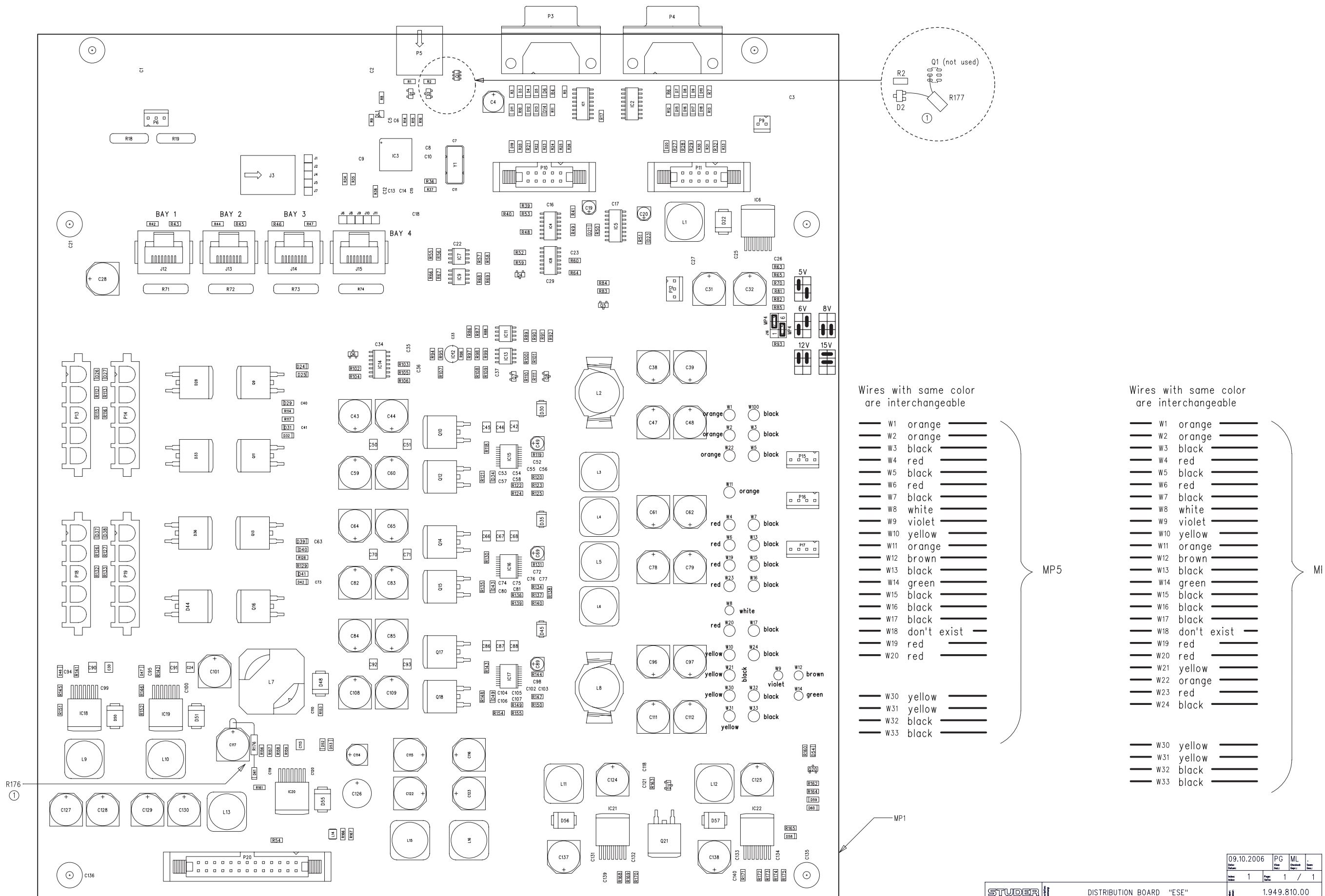
BAY 3

BAY 2

BAY 1

09.10.2006	PG	IML	1
Index	1	Page	6 / 6
DISTRIBUTION BOARD		1.949.810.00	

Distribution PCB 1.949.810.00 (1)



Wires with same color are interchangeable

- W1 orange
- W2 orange
- W3 black
- W4 red
- W5 black
- W6 red
- W7 black
- W8 white
- W9 violet
- W10 yellow
- W11 orange
- W12 brown
- W13 black
- W14 green
- W15 black
- W16 black
- W17 black
- W18 don't exist
- W19 red
- W20 red
- W30 yellow
- W31 yellow
- W32 black
- W33 black

Wires with same color are interchangeable

- W1 orange
- W2 orange
- W3 black
- W4 red
- W5 black
- W6 red
- W7 black
- W8 white
- W9 violet
- W10 yellow
- W11 orange
- W12 brown
- W13 black
- W14 green
- W15 black
- W16 black
- W17 black
- W18 don't exist
- W19 red
- W20 red
- W21 yellow
- W22 orange
- W23 red
- W24 black
- W30 yellow
- W31 yellow
- W32 black
- W33 black

MP5

MI

MP1

09.10.2006	PG	ML	.
1	1	1	1

Distribution PCB 1.949.810.00 (1)

Idx. Pos.	Part No.	Qty.	Type/Val.	Description	Idx. Pos.	Part No.	Qty.	Type/Val.	Description
0 C 1	59.60.3337	1	pce 100n	CER 50V, 10%, X7R, 0805	0 C 103	59.60.3325	1	pce 10n	CER 50V, 10%, X7R, 0805
0 C 2	59.60.3337	1	pce 100n	CER 50V, 10%, X7R, 0805	0 C 104	59.60.3337	1	pce 100n	CER 50V, 10%, X7R, 0805
0 C 3	59.60.3337	1	pce 100n	CER 50V, 10%, X7R, 0805	0 C 105	59.60.3321	1	pce 4n7	CER 50V, 10%, X7R, 0805
0 C 4	59.68.0069	1	pce 47u	EL 16V, 6.3*5.7	0 C 106	59.60.3337	1	pce 100n	CER 50V, 10%, X7R, 0805
0 C 5	59.60.3337	1	pce 100n	CER 50V, 10%, X7R, 0805	0 C 107	59.60.2249	1	pce 100p	CER 50V, 5%, COG, 0603
0 C 6	59.60.3337	1	pce 100n	CER 50V, 10%, X7R, 0805	0 C 108	59.68.0317	1	pce 220u	EL 35V, 10 *10.7 lowESR
0 C 7	59.60.2233	1	pce 22p	CER 50V, 5%, COG, 0603	0 C 109	59.68.0317	1	pce 220u	EL 35V, 10 *10.7 lowESR
0 C 8	59.60.3337	1	pce 100n	CER 50V, 10%, X7R, 0805	0 C 110	59.60.3317	1	pce 2n2	CER 50V, 10%, X7R, 0805
0 C 9	59.60.3337	1	pce 100n	CER 50V, 10%, X7R, 0805	0 C 111	59.68.0275	1	pce 470u	EL 16V, 10 *10.7 lowESR
0 C 10	59.60.3337	1	pce 100n	CER 50V, 10%, X7R, 0805	0 C 112	59.68.0275	1	pce 470u	EL 16V, 10 *10.7 lowESR
0 C 11	59.60.2233	1	pce 22p	CER 50V, 5%, COG, 0603	0 C 113	59.60.3905	1	pce 10u	CER 25V, 1210
0 C 12	59.60.3337	1	pce 100n	CER 50V, 10%, X7R, 0805	0 C 114	59.68.0111	1	pce 22u	EL 35V, 6.3*5.7
0 C 13	59.60.3337	1	pce 100n	CER 50V, 10%, X7R, 0805	0 C 115	59.68.0075	1	pce 470u	EL 16V, 10 *10.7
0 C 14	59.60.3337	1	pce 100n	CER 50V, 10%, X7R, 0805	0 C 116	59.68.0075	1	pce 470u	EL 16V, 10 *10.7
0 C 15	59.60.3337	1	pce 100n	CER 50V, 10%, X7R, 0805	0 C 117	59.68.0317	1	pce 220u	EL 35V, 10 *10.7 lowESR
0 C 16	59.60.3337	1	pce 100n	CER 50V, 10%, X7R, 0805	0 C 118	59.60.3337	1	pce 100n	CER 50V, 10%, X7R, 0805
0 C 17	59.60.3337	1	pce 100n	CER 50V, 10%, X7R, 0805	0 C 119	59.60.3337	1	pce 100n	CER 50V, 10%, X7R, 0805
0 C 18	59.60.3337	1	pce 100n	CER 50V, 10%, X7R, 0805	0 C 120	59.60.3325	1	pce 10n	CER 50V, 10%, X7R, 0805
0 C 19	59.68.0065	1	pce 10u	EL 16V, 4.0*5.7	0 C 121	59.60.3337	1	pce 100n	CER 50V, 10%, X7R, 0805
0 C 20	59.68.0065	1	pce 10u	EL 16V, 4.0*5.7	0 C 122	59.68.0075	1	pce 470u	EL 16V, 10 *10.7
0 C 21	59.60.3337	1	pce 100n	CER 50V, 10%, X7R, 0805	0 C 123	59.68.0075	1	pce 470u	EL 16V, 10 *10.7
0 C 22	59.60.3337	1	pce 100n	CER 50V, 10%, X7R, 0805	0 C 124	59.68.0275	1	pce 470u	EL 16V, 10 *10.7 lowESR
0 C 23	59.60.3337	1	pce 100n	CER 50V, 10%, X7R, 0805	0 C 125	59.68.0317	1	pce 220u	EL 35V, 10 *10.7 lowESR
0 C 24	59.60.3905	1	pce 10u	CER 25V, 1210	0 C 126	59.22.8220	1	pce 22u	EL 63V 20% RM5
0 C 25	59.60.3325	1	pce 10n	CER 50V, 10%, X7R, 0805	0 C 127	59.68.0075	1	pce 470u	EL 16V, 10 *10.7
0 C 26	59.60.3337	1	pce 100n	CER 50V, 10%, X7R, 0805	0 C 128	59.68.0075	1	pce 470u	EL 16V, 10 *10.7
0 C 27	59.60.3337	1	pce 100n	CER 50V, 10%, X7R, 0805	0 C 129	59.68.0075	1	pce 470u	EL 16V, 10 *10.7
0 C 28	59.68.0317	1	pce 220u	EL 35V, 10 *10.7 lowESR	0 C 130	59.68.0075	1	pce 470u	EL 16V, 10 *10.7
0 C 29	59.60.3337	1	pce 100n	CER 50V, 10%, X7R, 0805	0 C 131	59.60.3325	1	pce 10n	CER 50V, 10%, X7R, 0805
0 C 30	59.60.3905	1	pce 10u	CER 25V, 1210	0 C 132	59.60.3337	1	pce 100n	CER 50V, 10%, X7R, 0805
0 C 31	59.68.0275	1	pce 470u	EL 16V, 10 *10.7 lowESR	0 C 133	59.60.3325	1	pce 10n	CER 50V, 10%, X7R, 0805
0 C 32	59.68.0317	1	pce 220u	EL 35V, 10 *10.7 lowESR	0 C 134	59.60.3337	1	pce 100n	CER 50V, 10%, X7R, 0805
0 C 33	59.60.3337	1	pce 100n	CER 50V, 10%, X7R, 0805	0 C 135	59.60.3337	1	pce 100n	CER 50V, 10%, X7R, 0805
0 C 34	59.60.3337	1	pce 100n	CER 50V, 10%, X7R, 0805	0 C 136	59.60.3337	1	pce 100n	CER 50V, 10%, X7R, 0805
0 C 35	59.60.3337	1	pce 100n	CER 50V, 10%, X7R, 0805	0 C 137	59.68.0317	1	pce 220u	EL 35V, 10 *10.7 lowESR
0 C 36	59.60.2373	1	pce 1n0	CER 50V, 5%, COG, 0805	0 C 138	59.68.0317	1	pce 220u	EL 35V, 10 *10.7 lowESR
0 C 37	59.60.3337	1	pce 100n	CER 50V, 10%, X7R, 0805	0 C 139	59.60.3337	1	pce 100n	CER 50V, 10%, X7R, 0805
0 C 38	59.68.0275	1	pce 470u	EL 16V, 10 *10.7 lowESR	0 C 140	59.60.3337	1	pce 100n	CER 50V, 10%, X7R, 0805
0 C 39	59.68.0275	1	pce 470u	EL 16V, 10 *10.7 lowESR	0 D 1	50.60.8901	1	pce	BAV99 250mA 70V dual SOT 23
0 C 40	59.60.3325	1	pce 10n	CER 50V, 10%, X7R, 0805	0 D 2	50.60.8901	1	pce	BAV99 250mA 70V dual SOT 23
0 C 41	59.60.3325	1	pce 10n	CER 50V, 10%, X7R, 0805	0 D 3	50.60.8001	1	pce 4448	200mA 75V 4ns SOD 80
0 C 42	59.60.3905	1	pce 10u	CER 25V, 1210	0 D 4	50.60.8001	1	pce 4448	200mA 75V 4ns SOD 80
0 C 43	not used	1	pce 220u	EL 35V, 10 *10.7 lowESR	0 D 5	50.60.8001	1	pce 4448	200mA 75V 4ns SOD 80
0 C 44	59.68.0317	1	pce 220u	EL 35V, 10 *10.7 lowESR	0 D 6	50.60.8001	1	pce 4448	200mA 75V 4ns SOD 80
0 C 45	59.60.3905	1	pce 10u	CER 25V, 1210	0 D 7	50.60.8001	1	pce 4448	200mA 75V 4ns SOD 80
0 C 46	59.60.3905	1	pce 10u	CER 25V, 1210	0 D 8	50.60.8001	1	pce 4448	200mA 75V 4ns SOD 80
0 C 47	59.68.0275	1	pce 470u	EL 16V, 10 *10.7 lowESR	0 D 9	50.60.8001	1	pce 4448	200mA 75V 4ns SOD 80
0 C 48	59.68.0275	1	pce 470u	EL 16V, 10 *10.7 lowESR	0 D 10	50.60.8001	1	pce 4448	200mA 75V 4ns SOD 80
0 C 49	59.68.0129	1	pce 2u2	EL 50V, 4.0*5.7	0 D 11	50.60.8001	1	pce 4448	200mA 75V 4ns SOD 80
0 C 50	59.60.3905	1	pce 10u	CER 25V, 1210	0 D 12	50.60.8001	1	pce 4448	200mA 75V 4ns SOD 80
0 C 51	59.60.3905	1	pce 10u	CER 25V, 1210	0 D 13	50.60.8001	1	pce 4448	200mA 75V 4ns SOD 80
0 C 52	59.60.2249	1	pce 100p	CER 50V, 5%, COG, 0603	0 D 14	50.60.8001	1	pce 4448	200mA 75V 4ns SOD 80
0 C 53	59.60.3337	1	pce 100n	CER 50V, 10%, X7R, 0805	0 D 15	50.60.8001	1	pce 4448	200mA 75V 4ns SOD 80
0 C 54	59.60.3321	1	pce 4n7	CER 50V, 10%, X7R, 0805	0 D 16	50.60.8001	1	pce 4448	200mA 75V 4ns SOD 80
0 C 55	59.60.2365	1	pce 470p	CER 50V, 5%, COG, 0805	0 D 17	50.60.8001	1	pce 4448	200mA 75V 4ns SOD 80
0 C 56	59.60.3325	1	pce 10n	CER 50V, 10%, X7R, 0805	0 D 18	50.60.8001	1	pce 4448	200mA 75V 4ns SOD 80
0 C 57	59.60.3337	1	pce 100n	CER 50V, 10%, X7R, 0805	0 D 19	50.60.8001	1	pce 4448	200mA 75V 4ns SOD 80
0 C 58	59.60.2249	1	pce 100p	CER 50V, 5%, COG, 0603	0 D 20	50.60.8001	1	pce 4448	200mA 75V 4ns SOD 80
0 C 59	59.68.0317	1	pce 220u	EL 35V, 10 *10.7 lowESR	0 D 21	50.60.8001	1	pce 4448	200mA 75V 4ns SOD 80
0 C 60	59.68.0317	1	pce 220u	EL 35V, 10 *10.7 lowESR	0 D 22	50.60.8102	1	pce	SS34 3A 40V Schottky
0 C 61	59.68.0275	1	pce 470u	EL 16V, 10 *10.7 lowESR	0 D 23	50.60.8001	1	pce 4448	200mA 75V 4ns SOD 80
0 C 62	59.68.0275	1	pce 470u	EL 16V, 10 *10.7 lowESR	0 D 24	50.60.8001	1	pce 4448	200mA 75V 4ns SOD 80
0 C 63	59.60.3325	1	pce 10n	CER 50V, 10%, X7R, 0805	0 D 25	50.60.8101	1	pce	BAS85 200mA 30V Schottky SOD 80
0 C 64	not used	1	pce 220u	EL 35V, 10 *10.7 lowESR	0 D 26	50.60.8001	1	pce 4448	200mA 75V 4ns SOD 80
0 C 65	59.68.0317	1	pce 220u	EL 35V, 10 *10.7 lowESR	0 D 27	50.60.8001	1	pce 4448	200mA 75V 4ns SOD 80
0 C 66	59.60.3905	1	pce 10u	CER 25V, 1210	0 D 28	50.60.8180	1	pce	MBRB2535 2*15A 30V Schottky
0 C 67	59.60.3905	1	pce 10u	CER 25V, 1210	0 D 29	50.60.8101	1	pce	BAS85 200mA 30V Schottky SOD 80
0 C 68	59.60.3905	1	pce 10u	CER 25V, 1210	0 D 30	50.60.8103	1	pce	SS14 1A 40V Schottky
0 C 69	59.68.0129	1	pce 2u2	EL 50V, 4.0*5.7	0 D 31	50.60.8101	1	pce	BAS85 200mA 30V Schottky SOD 80
0 C 70	59.60.3905	1	pce 10u	CER 25V, 1210	0 D 32	50.60.8101	1	pce	BAS85 200mA 30V Schottky SOD 80
0 C 71	59.60.3905	1	pce 10u	CER 25V, 1210	0 D 33	50.60.8180	1	pce	MBRB2535 2*15A 30V Schottky
0 C 72	59.60.2249	1	pce 100p	CER 50V, 5%, COG, 0603	0 D 34	50.60.8101	1	pce	BAS85 200mA 30V Schottky SOD 80
0 C 73	59.60.3325	1	pce 10n	CER 50V, 10%, X7R, 0805	0 D 35	50.60.8103	1	pce	SS14 1A 40V Schottky
0 C 74	59.60.3337	1	pce 100n	CER 50V, 10%, X7R, 0805	0 D 36	50.60.8180	1	pce	MBRB2535 2*15A 30V Schottky
1 C 75	59.60.3329	1	pce 22n	CER 50V, 10%, X7R, 0805	0 D 37	50.60.8001	1	pce 4448	200mA 75V 4ns SOD 80
0 C 76	59.60.2363	1	pce 390p	CER 50V, 5%, COG, 0805	0 D 38	50.60.8001	1	pce 4448	200mA 75V 4ns SOD 80
0 C 77	59.60.3325	1	pce 10n	CER 50V, 10%, X7R, 0805	0 D 39	50.60.8101	1	pce	BAS85 200mA 30V Schottky SOD 80
0 C 78	59.68.0275	1	pce 470u	EL 16V, 10 *10.7 lowESR	0 D 40	50.60.8101	1	pce	BAS85 200mA 30V Schottky SOD 80
0 C 79	59.68.0275	1	pce 470u	EL 16V, 10 *10.7 lowESR	0 D 41	50.60.8101	1	pce	BAS85 200mA 30V Schottky SOD 80
0 C 80	59.60.3337	1	pce 100n	CER 50V, 10%, X7R, 0805	0 D 42	50.60.8101	1	pce	BAS85 200mA 30V Schottky SOD 80
0 C 81	59.60.2249	1	pce 100p	CER 50V, 5%, COG, 0603	0 D 43	50.60.8101	1	pce	BAS85 200mA 30V Schottky SOD 80
0 C 82	59.68.0317	1	pce 220u	EL 35V, 10 *10.7 lowESR	0 D 44	50.60.8180	1	pce	MBRB2535 2*15A 30V Schottky
0 C 83	59.68.0317	1	pce 220u	EL 35V, 10 *10.7 lowESR	0 D 45	50.60.8103	1	pce	SS14 1A 40V Schottky
0 C 84	not used	1	pce 220u	EL 35V, 10 *10.7 lowESR	0 D 46	50.60.8101	1	pce	BAS85 200mA 30V Schottky SOD 80
0 C 85	59.68.0317	1	pce 220u	EL 35V, 10 *10.7 lowESR	0 D 47	50.60.8101	1	pce	BAS85 200mA 30V Schottky SOD 80
0 C 86	59.60.3905	1	pce 10u	CER 25V, 1210	0 D 48	50.60.8102	1	pce	SS34 3A 40V Schottky
0 C 87	59.60.3905	1	pce 10u	CER 25V, 1210	0 D 49	50.60.8101	1	pce	BAS85 200mA 30V Schottky SOD 80
0 C 88	59.60.3905	1	pce 10u	CER 25V, 1210	0 D 50	50.60.8102	1	pce	SS34 3A 40V Schottky
0 C 89	59.68.0129	1	pce 2u2	EL 50V, 4.0*5.7	0 D 51	50.60.8102	1	pce	SS34 3A 40V Schottky
0 C 90	59.60.3905	1	pce 10u	CER 25V, 1210	0 D 52	50.60.8001	1	pce 4448	200mA 75V 4ns SOD 80
0 C 91	59.60.3905	1	pce 10u	CER 25V, 1210	0 D 53	50.60.8001	1	pce 4448	200mA 75V 4ns SOD 80
0 C 92	59.60.3905	1	pce 10u	CER 25V, 1210	0 D 54	50.60.8001	1	pce 4448	200mA 75V 4ns SOD 80
0 C 93	59.60.3905	1	pce 10u	CER 25V, 1210	0 D 5				

Distribution PCB 1.949.810.00 (1)

Idx. Pos.	Part No.	Qty.	Type/Val.	Description	Idx. Pos.	Part No.	Qty.	Type/Val.	Description
0 IC 3	50.63.0217	1 pce	ISP 1520	4-fach USB hub	0 R 14	57.60.1103	1 pce	10k	MF, 1%, 0204, E24
0 IC 4	50.62.1014	1 pce	74HC 14	Hex Schmitt trigger inverter	0 R 15	not used	1 pce	10k	MF, 1%, 0204, E24
0 IC 5	50.62.8053	1 pce	HC4053	Tripple 2ch analog mux/demux	0 R 16	57.60.1104	1 pce	100k	MF, 1%, 0204, E24
0 IC 6	50.61.2005	1 pce	LM2673ADJ	Step down converter	0 R 17	57.60.1121	1 pce	120R	MF, 1%, 0204, E24
0 IC 7	50.61.9001	1 pce	LM393	Dual voltage comp. SO 8	0 R 18	57.92.7053	1 pce	1.6A	PTC 30V
0 IC 8	50.62.1074	1 pce	74HC 74	Dual D-type FF, preset clear	0 R 19	57.92.7053	1 pce	1.6A	PTC 30V
0 IC 9	50.61.9001	1 pce	LM393	Dual voltage comp. SO 8	0 R 20	57.60.1272	1 pce	2k7	MF, 1%, 0204, E24
0 IC 11	50.61.9001	1 pce	LM393	Dual voltage comp. SO 8	0 R 21	57.60.1000	1 pce	0R0	MF, 0204
0 IC 12	50.10.0106	1 pce	TL431	Shunt regulator	0 R 22	not used	1 pce	0R0	MF, 0204
0 IC 13	50.61.9001	1 pce	LM393	Dual voltage comp. SO 8	0 R 23	57.60.1472	1 pce	4k7	MF, 1%, 0204, E24
0 IC 14	50.62.1132	1 pce	74HC132	Quad 2input Schmitt trigg NAND	0 R 24	not used	1 pce	4k7	MF, 1%, 0204, E24
0 IC 15	50.61.2004	1 pce	TPS 5103	Sync step down converter	0 R 25	57.60.1000	1 pce	0R0	MF, 0204
0 IC 16	50.61.2004	1 pce	TPS 5103	Sync step down converter	0 R 26	not used	1 pce	0R0	MF, 0204
0 IC 17	50.61.2004	1 pce	TPS 5103	Sync step down converter	0 R 27	57.60.1272	1 pce	2k7	MF, 1%, 0204, E24
0 IC 18	50.61.2005	1 pce	LM2673ADJ	Step down converter	0 R 28	57.60.1000	1 pce	0R0	MF, 0204
0 IC 19	50.61.2005	1 pce	LM2673ADJ	Step down converter	0 R 29	not used	1 pce	0R0	MF, 0204
0 IC 20	50.61.2005	1 pce	LM2673ADJ	Step down converter	0 R 30	57.60.1472	1 pce	4k7	MF, 1%, 0204, E24
0 IC 21	50.61.2005	1 pce	LM2673ADJ	Step down converter	0 R 31	not used	1 pce	4k7	MF, 1%, 0204, E24
0 IC 22	50.61.2005	1 pce	LM2673ADJ	Step down converter	0 R 32	57.60.1000	1 pce	0R0	MF, 0204
0 J 1	54.01.0020	1 pce	1p	Pin, 1reihiig, gerade	0 R 33	not used	1 pce	0R0	MF, 0204
0 J 2	54.01.0020	1 pce	1p	Pin, 1reihiig, gerade	0 R 34	57.60.1152	1 pce	1k5	MF, 1%, 0204, E24
0 J 3	54.20.1102	1 pce	4p	USB Stecker Typ B	0 R 35	57.60.1123	1 pce	12k	MF, 1%, 0204, E24
0 J 4	54.01.0020	1 pce	1p	Pin, 1reihiig, gerade	0 R 36	57.60.1104	1 pce	100k	MF, 1%, 0204, E24
0 J 5	54.01.0020	1 pce	1p	Pin, 1reihiig, gerade	0 R 37	57.60.1103	1 pce	10k	MF, 1%, 0204, E24
0 J 6	54.01.0020	1 pce	1p	Pin, 1reihiig, gerade	0 R 38	57.60.1103	1 pce	10k	MF, 1%, 0204, E24
0 J 7	54.01.0020	1 pce	1p	Pin, 1reihiig, gerade	0 R 39	57.60.1103	1 pce	10k	MF, 1%, 0204, E24
0 J 8	54.01.0020	1 pce	1p	Pin, 1reihiig, gerade	0 R 40	57.60.1103	1 pce	10k	MF, 1%, 0204, E24
0 J 9	54.01.0020	1 pce	1p	Pin, 1reihiig, gerade	0 R 41	57.60.1103	1 pce	10k	MF, 1%, 0204, E24
0 J 10	54.01.0020	1 pce	1p	Pin, 1reihiig, gerade	0 R 42	57.60.1153	1 pce	15k	MF, 1%, 0204, E24
0 J 11	54.01.0020	1 pce	1p	Pin, 1reihiig, gerade	0 R 43	57.60.1153	1 pce	15k	MF, 1%, 0204, E24
0 J 12	54.20.1005	1 pce	8p	RJ 45 Modular Jack top entry	0 R 44	57.60.1153	1 pce	15k	MF, 1%, 0204, E24
0 J 13	54.20.1005	1 pce	8p	RJ 45 Modular Jack top entry	0 R 45	57.60.1153	1 pce	15k	MF, 1%, 0204, E24
0 J 14	54.20.1005	1 pce	8p	RJ 45 Modular Jack top entry	0 R 46	57.60.1153	1 pce	15k	MF, 1%, 0204, E24
0 J 15	54.20.1005	1 pce	8p	RJ 45 Modular Jack top entry	0 R 47	57.60.1153	1 pce	15k	MF, 1%, 0204, E24
0 J 16	54.11.0136	1 pce	2*3p	Pin 0.63*0.63, RM2.54	0 R 48	57.60.1152	1 pce	1k5	MF, 1%, 0204, E24
0 L 1	62.60.0518	1 pce	47uH	SMD 2.5A	0 R 49	57.60.1103	1 pce	10k	MF, 1%, 0204, E24
0 L 2	62.60.0510	1 pce	10uH	SMD 6.5A 8860	0 R 50	57.60.1224	1 pce	220k	MF, 1%, 0204, E24
0 L 3	62.60.0518	1 pce	47uH	SMD 2.5A	0 R 51	57.60.1224	1 pce	220k	MF, 1%, 0204, E24
0 L 4	62.60.0518	1 pce	47uH	SMD 2.5A	0 R 52	57.60.1222	1 pce	2k2	MF, 1%, 0204, E24
0 L 5	62.60.0518	1 pce	47uH	SMD 2.5A	0 R 53	57.60.1103	1 pce	10k	MF, 1%, 0204, E24
0 L 6	62.60.0518	1 pce	47uH	SMD 2.5A	0 R 54	57.60.1103	1 pce	10k	MF, 1%, 0204, E24
0 L 7	1.022.651.00	1 pce	250uH	Storage Inductor 2*250UH	0 R 55	57.60.1104	1 pce	100k	MF, 1%, 0204, E24
0 L 8	62.60.0510	1 pce	10uH	SMD 6.5A 8860	0 R 56	57.60.1105	1 pce	1M0	MF, 1%, 0204, E24
0 L 9	62.60.0518	1 pce	47uH	SMD 2.5A	0 R 57	57.60.1105	1 pce	1M0	MF, 1%, 0204, E24
0 L 10	62.60.0518	1 pce	47uH	SMD 2.5A	0 R 58	57.60.1104	1 pce	100k	MF, 1%, 0204, E24
0 L 11	62.60.0518	1 pce	47uH	SMD 2.5A	0 R 59	57.60.1103	1 pce	10k	MF, 1%, 0204, E24
0 L 12	62.60.0518	1 pce	47uH	SMD 2.5A	0 R 60	57.60.1105	1 pce	1M0	MF, 1%, 0204, E24
0 L 13	62.60.0518	1 pce	47uH	SMD 2.5A	0 R 63	57.60.1152	1 pce	1k5	MF, 1%, 0204, E24
0 L 14	62.60.0125	1 pce	100uH	SMD 10% 1210	0 R 64	57.60.1105	1 pce	1M0	MF, 1%, 0204, E24
0 L 15	62.60.0518	1 pce	47uH	SMD 2.5A	0 R 65	57.60.1153	1 pce	15k	MF, 1%, 0204, E24
0 L 16	62.60.0518	1 pce	47uH	SMD 2.5A	0 R 66	57.60.1104	1 pce	100k	MF, 1%, 0204, E24
0 MP 1	1.949.810.12	1 pce		DISTRIBUTION BOARD PCB	0 R 67	57.60.1105	1 pce	1M0	MF, 1%, 0204, E24
0 MP 2	1.949.810.10	1 pce		Nr. ETIKETTE 5x20	0 R 68	57.60.1105	1 pce	1M0	MF, 1%, 0204, E24
0 MP 3	43.01.0108	1 pce	Label	ESE-Warnschild	0 R 69	57.60.1104	1 pce	100k	MF, 1%, 0204, E24
0 MP 4	54.01.0021	2 pcs	Jumper	0.63*0.63mm, Au	0 R 70	57.60.1472	1 pce	4k7	MF, 1%, 0204, E24
0 MP 5	1.949.810.93	1 pce		LL DISTRIBUTION BOARD	0 R 71	57.92.7057	1 pce	3.0A	PTC 30V
0 P 3	54.13.0071	1 pce	9p	D-Sub, PCB, Winkel	0 R 72	57.92.7057	1 pce	3.0A	PTC 30V
0 P 4	54.13.0071	1 pce	9p	D-Sub, PCB, Winkel	0 R 73	57.92.7057	1 pce	3.0A	PTC 30V
0 P 5	54.20.1101	1 pce	4p	USB Stecker Typ A	0 R 74	57.92.7057	1 pce	3.0A	PTC 30V
0 P 6	54.12.0703	1 pce	3p	Stecker gerade PCB	0 R 81	57.60.1392	1 pce	3k9	MF, 1%, 0204, E24
0 P 9	54.12.0702	1 pce	2p	Stecker gerade PCB	0 R 82	57.60.1103	1 pce	10k	MF, 1%, 0204, E24
0 P 10	54.14.2051	1 pce	10p	Stecker gerade Au	0 R 83	57.60.1103	1 pce	10k	MF, 1%, 0204, E24
0 P 11	54.14.2051	1 pce	10p	Stecker gerade Au	0 R 84	57.60.1103	1 pce	10k	MF, 1%, 0204, E24
0 P 12	54.12.0703	1 pce	3p	Stecker gerade PCB	0 R 85	57.60.1273	1 pce	27k	MF, 1%, 0204, E24
0 P 13	54.25.0005	1 pce	5p	Buchse, 16A, vertikal, PCB	0 R 86	57.60.1102	1 pce	1k0	MF, 1%, 0204, E24
0 P 14	54.25.0005	1 pce	5p	Buchse, 16A, vertikal, PCB	0 R 87	57.60.1472	1 pce	4k7	MF, 1%, 0204, E24
0 P 15	54.12.0704	1 pce	4p	Stecker gerade PCB	0 R 88	57.60.1105	1 pce	1M0	MF, 1%, 0204, E24
0 P 16	54.12.0704	1 pce	4p	Stecker gerade PCB	0 R 89	57.60.1105	1 pce	1M0	MF, 1%, 0204, E24
0 P 17	54.12.0704	1 pce	4p	Stecker gerade PCB	0 R 90	57.60.1103	1 pce	10k	MF, 1%, 0204, E24
0 P 18	54.25.0005	1 pce	5p	Buchse, 16A, vertikal, PCB	0 R 91	57.60.1223	1 pce	22k	MF, 1%, 0204, E24
0 P 19	54.25.0005	1 pce	5p	Buchse, 16A, vertikal, PCB	0 R 92	57.60.1103	1 pce	10k	MF, 1%, 0204, E24
0 P 20	54.14.2053	1 pce	26p	Stecker gerade Au	0 R 93	57.60.1152	1 pce	1k5	MF, 1%, 0204, E24
1 Q 1	not used	1 pce	3443	PowerMOS P-Ch 20V, 65mOhm	0 R 94	57.60.1102	1 pce	1k0	MF, 1%, 0204, E24
0 Q 4	50.60.1001	1 pce	BC857B	PNP 45V 100mA SOT 23	0 R 95	57.60.1102	1 pce	1k0	MF, 1%, 0204, E24
0 Q 5	50.60.1001	1 pce	BC857B	PNP 45V 100mA SOT 23	0 R 96	57.60.1103	1 pce	10k	MF, 1%, 0204, E24
0 Q 6	50.60.0001	1 pce	BC847B	NPN 45V 100mA SOT 23	0 R 97	57.60.1472	1 pce	4k7	MF, 1%, 0204, E24
0 Q 7	50.60.0001	1 pce	BC847B	NPN 45V 100mA SOT 23	0 R 98	57.60.1103	1 pce	10k	MF, 1%, 0204, E24
0 Q 8	50.60.1001	1 pce	BC857B	PNP 45V 100mA SOT 23	0 R 99	57.60.1105	1 pce	1M0	MF, 1%, 0204, E24
0 Q 9	50.60.2202	1 pce	FDB7030	PowerMOS N-Ch 30V, 50A	0 R 100	57.60.1105	1 pce	1M0	MF, 1%, 0204, E24
0 Q 10	50.60.2202	1 pce	FDB7030	PowerMOS N-Ch 30V, 50A	0 R 101	57.60.1472	1 pce	4k7	MF, 1%, 0204, E24
0 Q 11	50.60.2202	1 pce	FDB7030	PowerMOS N-Ch 30V, 50A	0 R 102	57.60.1103	1 pce	10k	MF, 1%, 0204, E24
0 Q 12	50.60.2202	1 pce	FDB7030	PowerMOS N-Ch 30V, 50A	0 R 103	57.60.1104	1 pce	100k	MF, 1%, 0204, E24
0 Q 13	50.60.2202	1 pce	FDB7030	PowerMOS N-Ch 30V, 50A	0 R 104	57.60.1472	1 pce	4k7	MF, 1%, 0204, E24
0 Q 14	50.60.2202	1 pce	FDB7030	PowerMOS N-Ch 30V, 50A	0 R 105	57.60.1103	1 pce	10k	MF, 1%, 0204, E24
0 Q 15	50.60.2202	1 pce	FDB7030	PowerMOS N-Ch 30V, 50A	0 R 106	57.60.1103	1 pce	10k	MF, 1%, 0204, E24
0 Q 16	50.60.2202	1 pce	FDB7030	PowerMOS N-Ch 30V, 50A	0 R 107	57.60.1392	1 pce	3k9	MF, 1%, 0204, E24
0 Q 17	50.60.2202	1 pce	FDB7030	PowerMOS N-Ch 30V, 50A	0 R 108	57.60.1103	1 pce	10k	MF, 1%, 0204, E24
0 Q 18	50.60.2202	1 pce	FDB7030	PowerMOS N-Ch 30V, 50A	0 R 109	57.60.1103	1 pce	10k	MF, 1%, 0204, E24
0 Q 20	50.60.1001	1 pce	BC857B	PNP 45V 100mA SOT 23	0 R 110	57.60.1103	1 pce	10k	MF, 1%, 0204, E24
0 Q 21	50.60.7001	1 pce	BT138B	Triac 8A, 600V, SOT 404	0 R 111	57.60.1103	1 pce	10k	MF, 1%, 0204, E24
0 R 1	57.60.1153	1 pce	15k	MF, 1%, 0204, E24	0 R 112	57.60.1273	1 pce	27k	MF, 1%, 0204, E24
0 R 2	57.60.1153	1 pce	15k	MF, 1%, 0204, E24	0 R 113	57.60.1273	1 pce	27k	MF, 1%, 0204, E24
0 R 3	57.60.1152	1 pce	1k5	MF, 1%, 0204, E24	0 R 114	57.60.1102	1 pce	1k0	MF, 1%, 0204, E24
0 R 4	57.60.1220	1 pce	22R	MF, 1%, 0204, E24	0 R 115	57.60.1472	1 pce	4k7	MF, 1%, 0204, E24
0 R 5	57.60.1121	1 pce	120R	MF, 1%, 0204, E24	0 R 116	57.60.1472	1 pce	4k7	MF, 1%, 0204, E24
0 R 6	57.60.1152	1 pce	1k5	MF, 1%, 0204, E24	0 R 117	57.60.1102	1 pce	1k0	MF, 1%, 0204, E24
0 R 7	57.60.1220	1 pce	22R	MF, 1%, 0204, E24	0 R 118	57.60.1563	1 pce	56k	MF, 1%, 0204, E24
0 R 8	57.60.1102	1 pce	1k0	MF, 1%, 0204, E24	0 R 119	57.60.1823	1 pce	82k	MF, 1%, 0204, E24
0 R 9	57.60.1104	1 pce	100k	MF, 1%, 0204, E24	0 R 120	57.60.1472	1 pce	4k7	MF, 1%, 0204, E24
0 R 10	57.60.1152	1 pce	1k5	MF, 1%, 0204, E24	0 R 121	57.60.1229	1 pce	2R2	MF, 1%, 0204, E24
0 R 11	57.60.1220	1 pce	22R	MF, 1%, 0204, E24	0 R 122	57.60.1561	1 pce	560R	MF, 1%, 0204, E24
0 R 12	57.60.1152	1 pce	1k5						

Distribution PCB 1.949.810.00 (1)

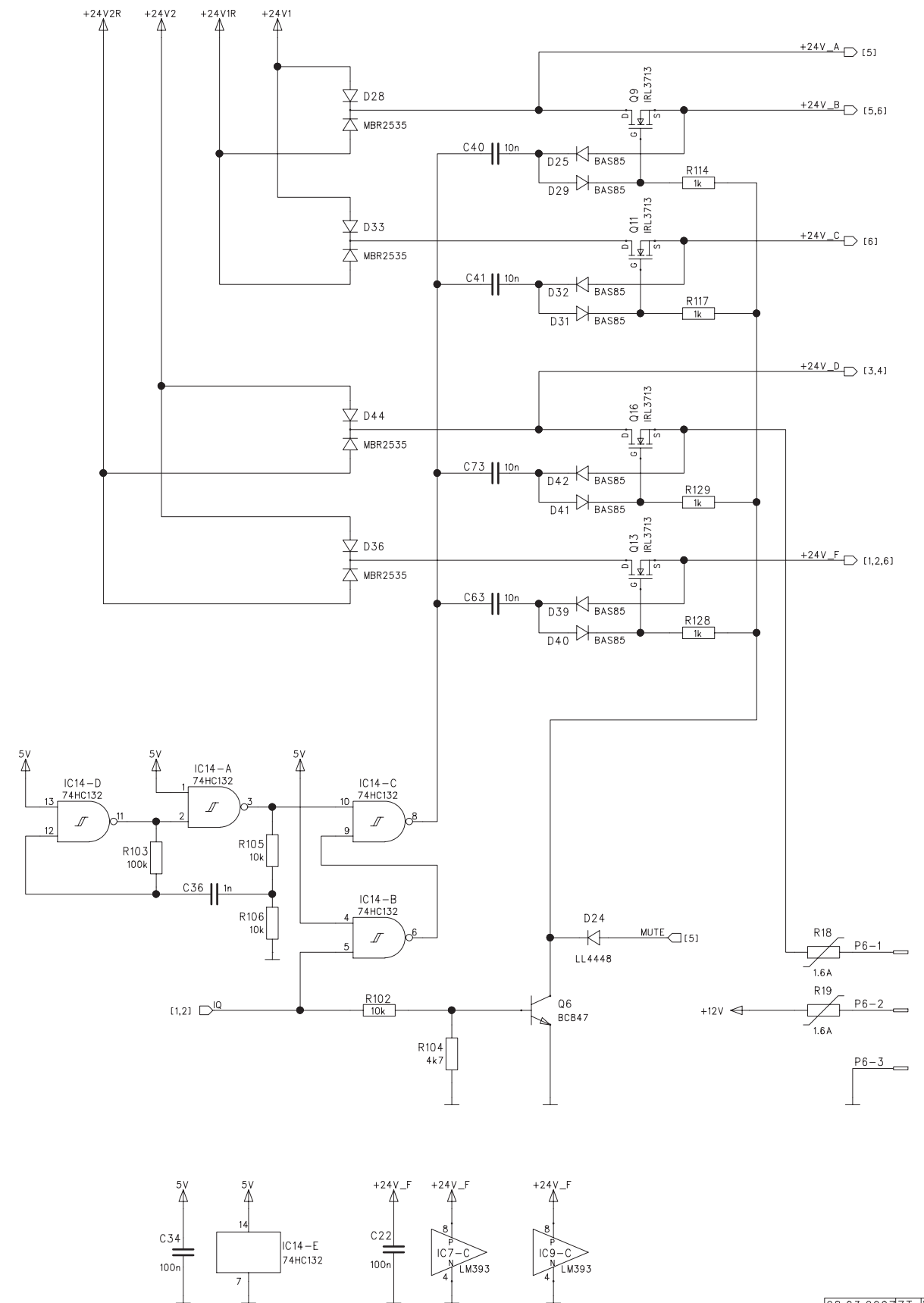
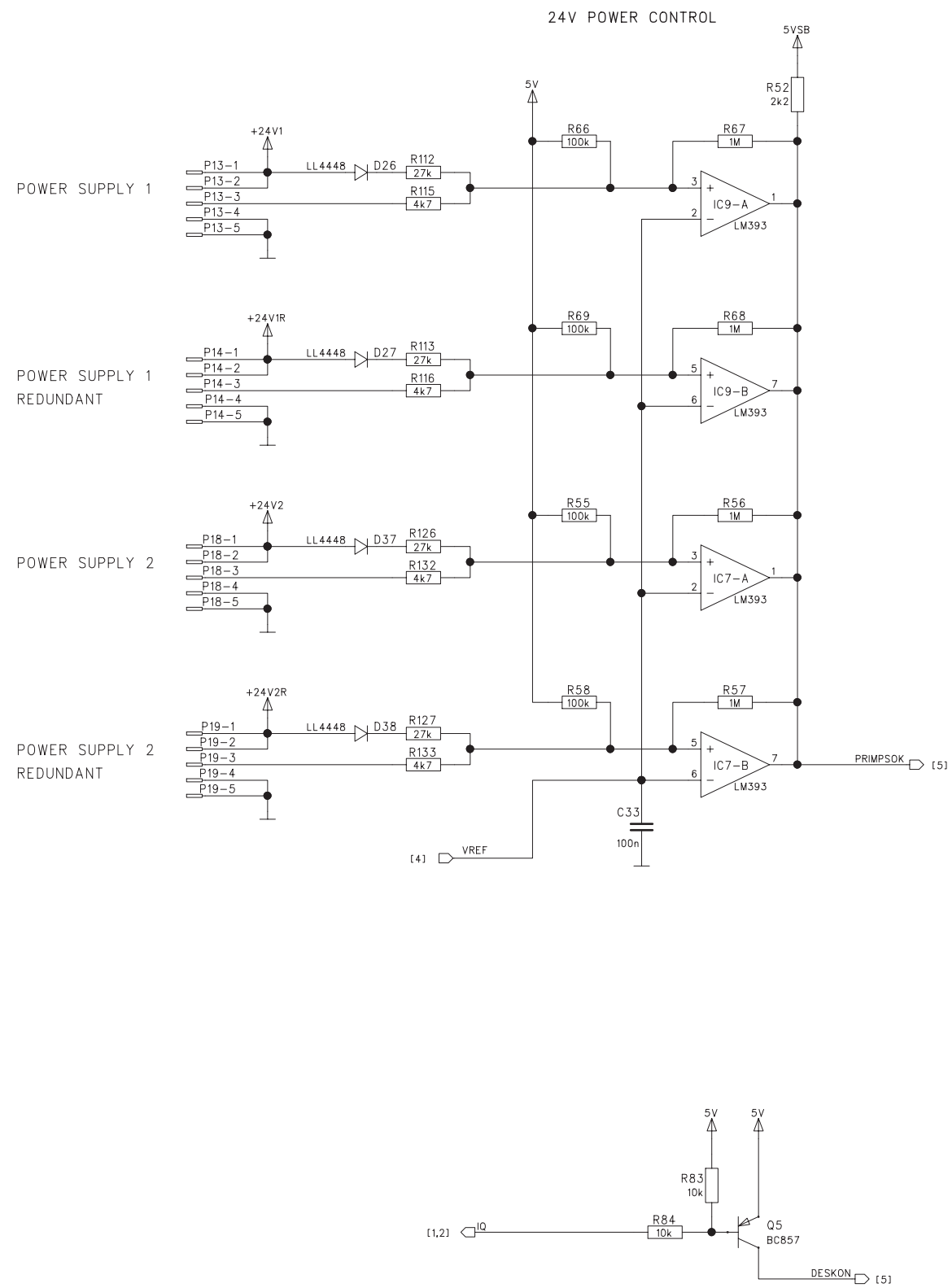
Idx. Pos.	Part No.	Qty.	Type/Val.	Description
0 R 125	57.60.1100	1 pce	10R	MF, 1%, 0204, E24
0 R 126	57.60.1273	1 pce	27k	MF, 1%, 0204, E24
0 R 127	57.60.1273	1 pce	27k	MF, 1%, 0204, E24
0 R 128	57.60.1102	1 pce	1k0	MF, 1%, 0204, E24
0 R 129	57.60.1102	1 pce	1k0	MF, 1%, 0204, E24
0 R 130	57.60.1104	1 pce	100k	MF, 1%, 0204, E24
0 R 131	57.60.1823	1 pce	82k	MF, 1%, 0204, E24
0 R 132	57.60.1472	1 pce	4k7	MF, 1%, 0204, E24
0 R 133	57.60.1472	1 pce	4k7	MF, 1%, 0204, E24
0 R 134	57.60.1472	1 pce	4k7	MF, 1%, 0204, E24
0 R 135	57.60.1229	1 pce	2R2	MF, 1%, 0204, E24
0 R 136	57.60.1681	1 pce	680R	MF, 1%, 0204, E24
0 R 137	57.60.1272	1 pce	2k7	MF, 1%, 0204, E24
0 R 138	57.60.1100	1 pce	10R	MF, 1%, 0204, E24
0 R 139	57.60.1563	1 pce	56k	MF, 1%, 0204, E24
0 R 140	57.60.1183	1 pce	18k	MF, 1%, 0204, E24
0 R 141	57.60.1153	1 pce	15k	MF, 1%, 0204, E24
0 R 142	57.60.1273	1 pce	27k	MF, 1%, 0204, E24
0 R 143	57.60.1563	1 pce	56k	MF, 1%, 0204, E24
0 R 144	57.60.1823	1 pce	82k	MF, 1%, 0204, E24
0 R 145	57.60.1102	1 pce	1k0	MF, 1%, 0204, E24
0 R 146	57.60.1222	1 pce	2k2	MF, 1%, 0204, E24
0 R 147	57.60.1472	1 pce	4k7	MF, 1%, 0204, E24
0 R 148	57.60.1229	1 pce	2R2	MF, 1%, 0204, E24
0 R 149	57.60.1122	1 pce	1k2	MF, 1%, 0204, E24
0 R 150	57.60.1472	1 pce	4k7	MF, 1%, 0204, E24
0 R 151	57.60.1332	1 pce	3k3	MF, 1%, 0204, E24
0 R 152	57.60.1103	1 pce	10k	MF, 1%, 0204, E24
0 R 153	57.60.1330	1 pce	33R	MF, 1%, 0204, E24
0 R 154	57.60.1104	1 pce	100k	MF, 1%, 0204, E24
0 R 155	57.60.1821	1 pce	820R	MF, 1%, 0204, E24
0 R 156	57.60.1273	1 pce	27k	MF, 1%, 0204, E24
0 R 157	57.60.1273	1 pce	27k	MF, 1%, 0204, E24
0 R 158	57.60.1122	1 pce	1k2	MF, 1%, 0204, E24
0 R 159	57.60.1153	1 pce	15k	MF, 1%, 0204, E24
0 R 160	57.60.1102	1 pce	1k0	MF, 1%, 0204, E24
0 R 161	57.60.1103	1 pce	10k	MF, 1%, 0204, E24
0 R 162	57.60.1332	1 pce	3k3	MF, 1%, 0204, E24
0 R 163	57.60.1102	1 pce	1k0	MF, 1%, 0204, E24
0 R 164	57.60.1332	1 pce	3k3	MF, 1%, 0204, E24
0 R 165	57.60.1153	1 pce	15k	MF, 1%, 0204, E24
0 R 166	57.60.1153	1 pce	15k	MF, 1%, 0204, E24
0 R 167	57.60.1153	1 pce	15k	MF, 1%, 0204, E24
0 R 168	57.60.1153	1 pce	15k	MF, 1%, 0204, E24
0 R 169	57.60.1332	1 pce	3k3	MF, 1%, 0204, E24
0 R 170	57.60.1103	1 pce	10k	MF, 1%, 0204, E24
0 R 171	57.60.1334	1 pce	330k	MF, 1%, 0204, E24
0 R 172	57.60.1153	1 pce	15k	MF, 1%, 0204, E24
0 R 173	57.60.1152	1 pce	1k5	MF, 1%, 0204, E24
0 R 174	57.60.1472	1 pce	4k7	MF, 1%, 0204, E24
0 R 175	57.60.1103	1 pce	10k	MF, 1%, 0204, E24
1 R 176	57.11.3105	1 pce	1M0	MF, 1%, 0207
1 R 177	57.92.7016	1 pce	1.6A	PTC 50V
0 Y 1	89.60.1003	1 pce	12.000MHz	SMD Quartz

Idx. Pos.	Part No.	Qty.	Type/Val.	Description
-----------	----------	------	-----------	-------------

End of List

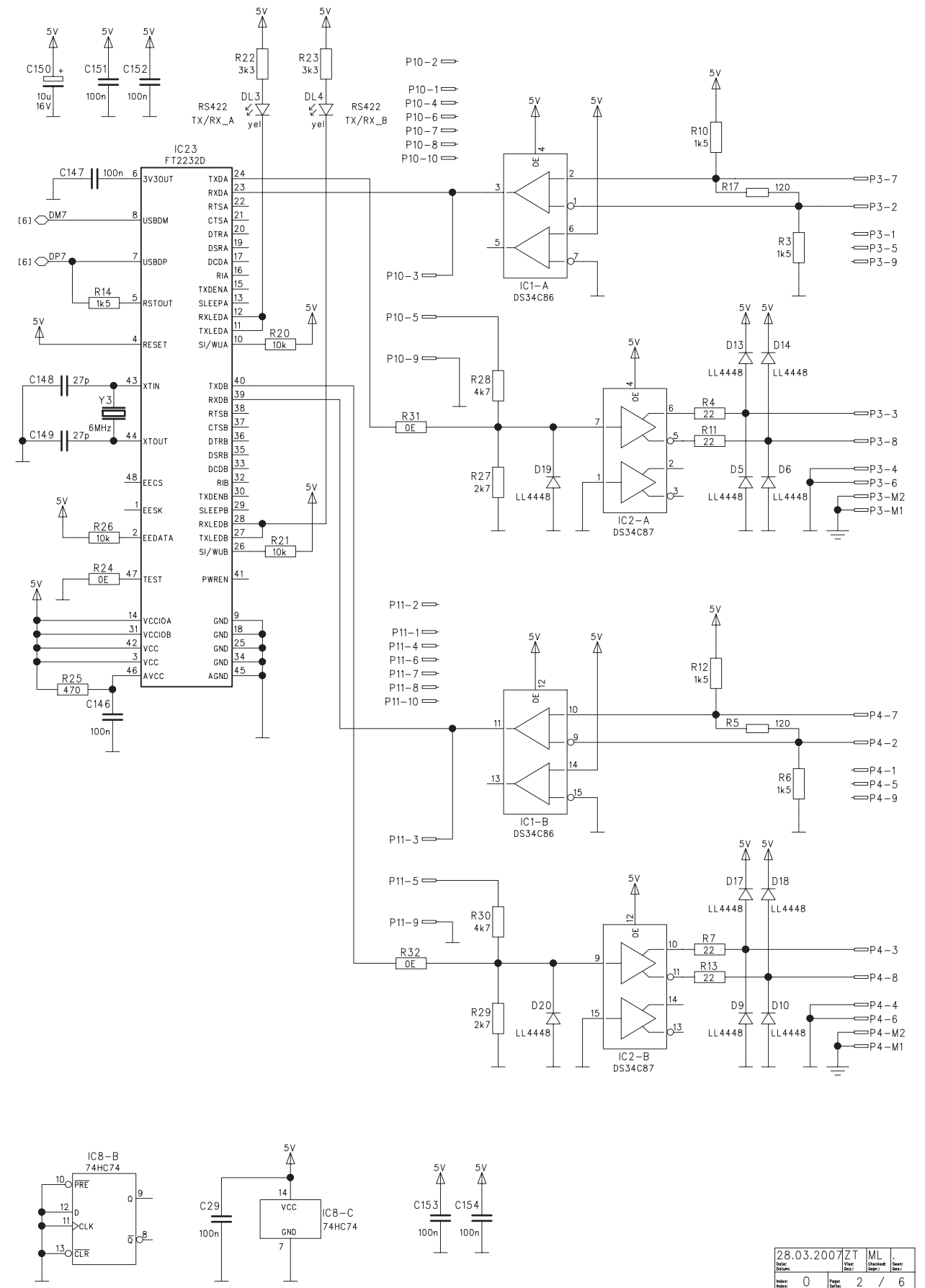
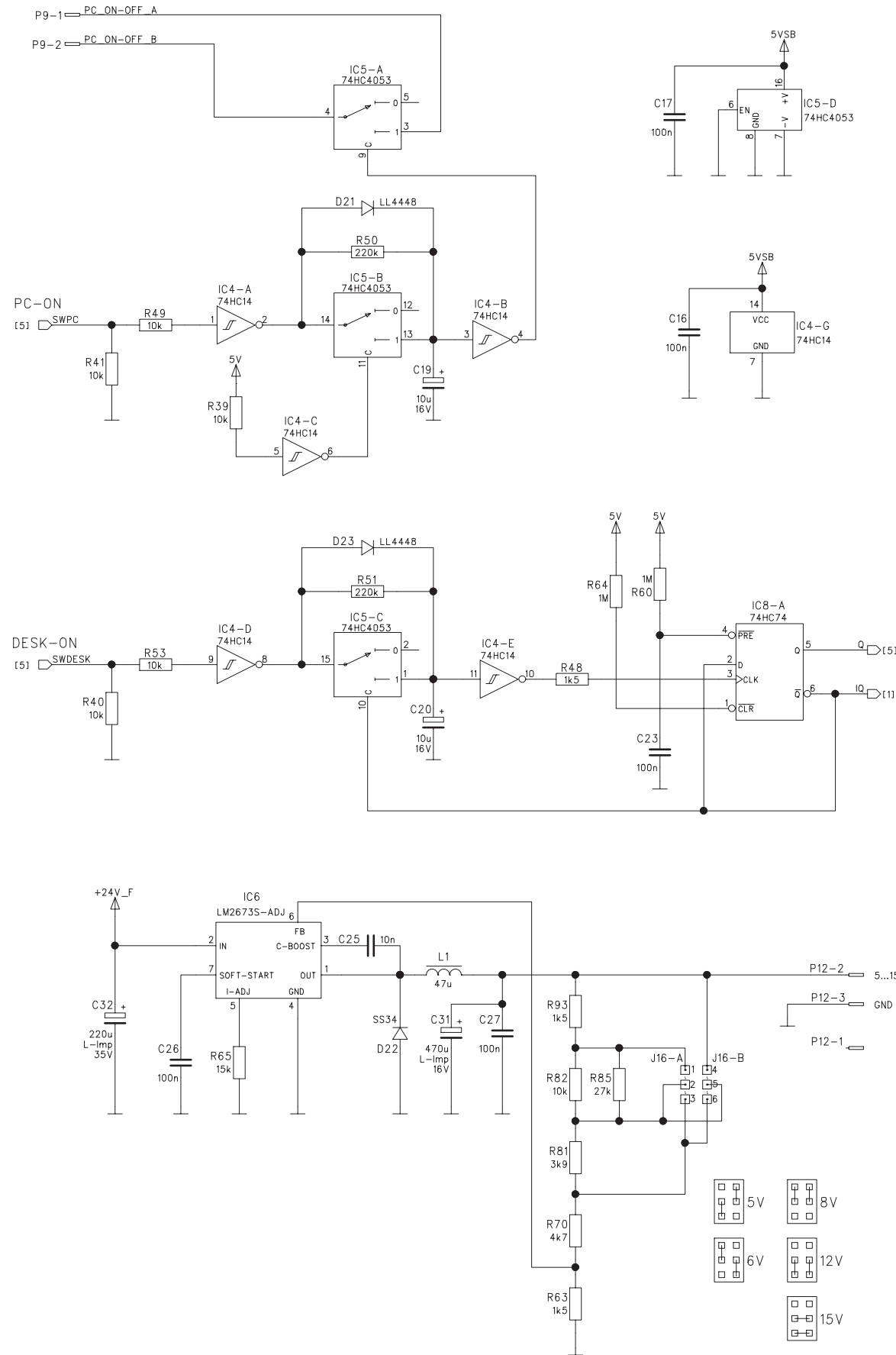
Comments:

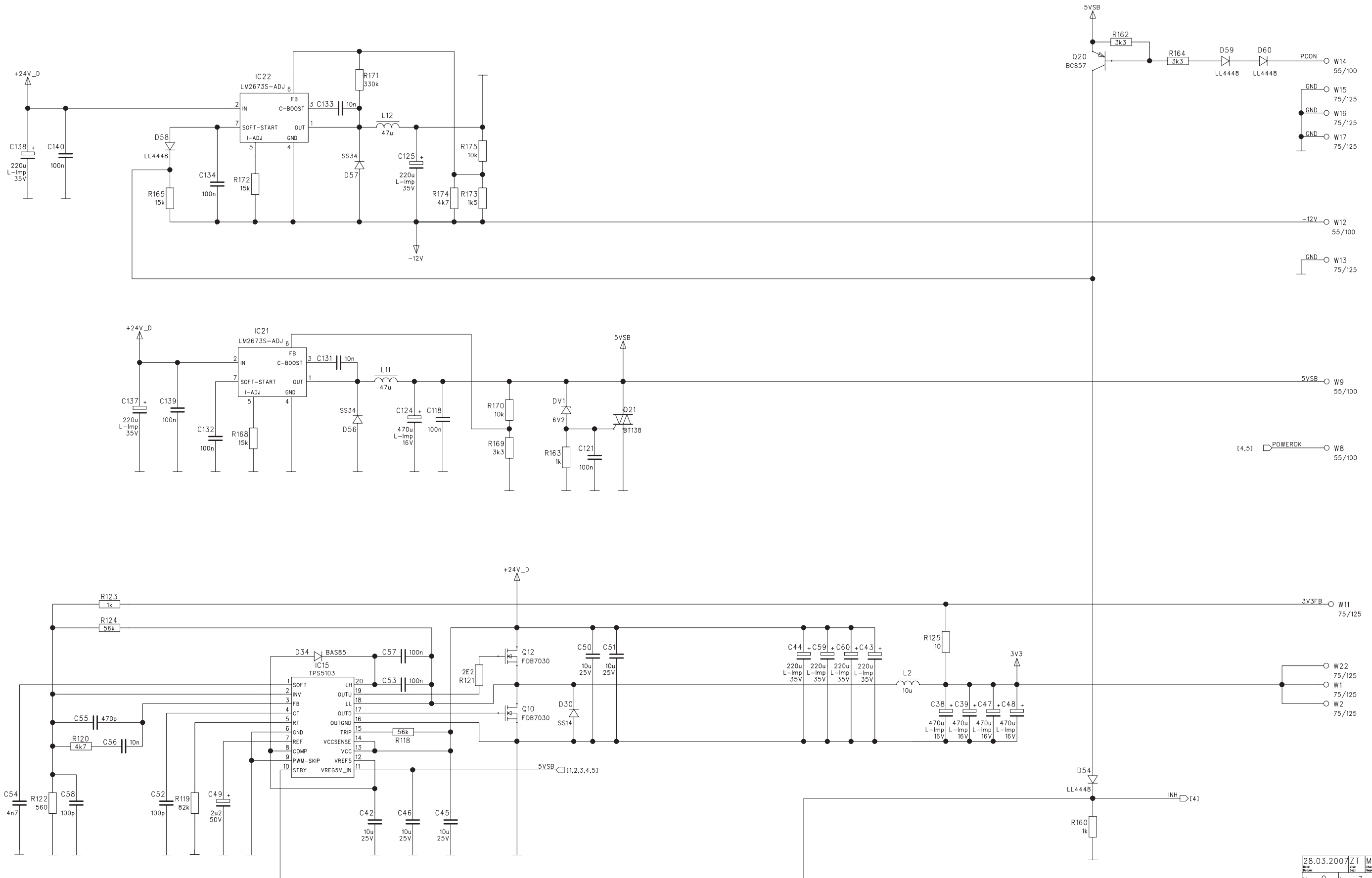
(00) 23.06.06 PG
 (01) 09.10.06 C75:4n7->22n;D61:BAS85->LL4448;Q1:replaced by R177;R176 added;



28.03.2007ZT		IML	.
Date:	Drawn:	View:	Checked:
Issue:	0	Page:	1 / 6
1.949.810.81			

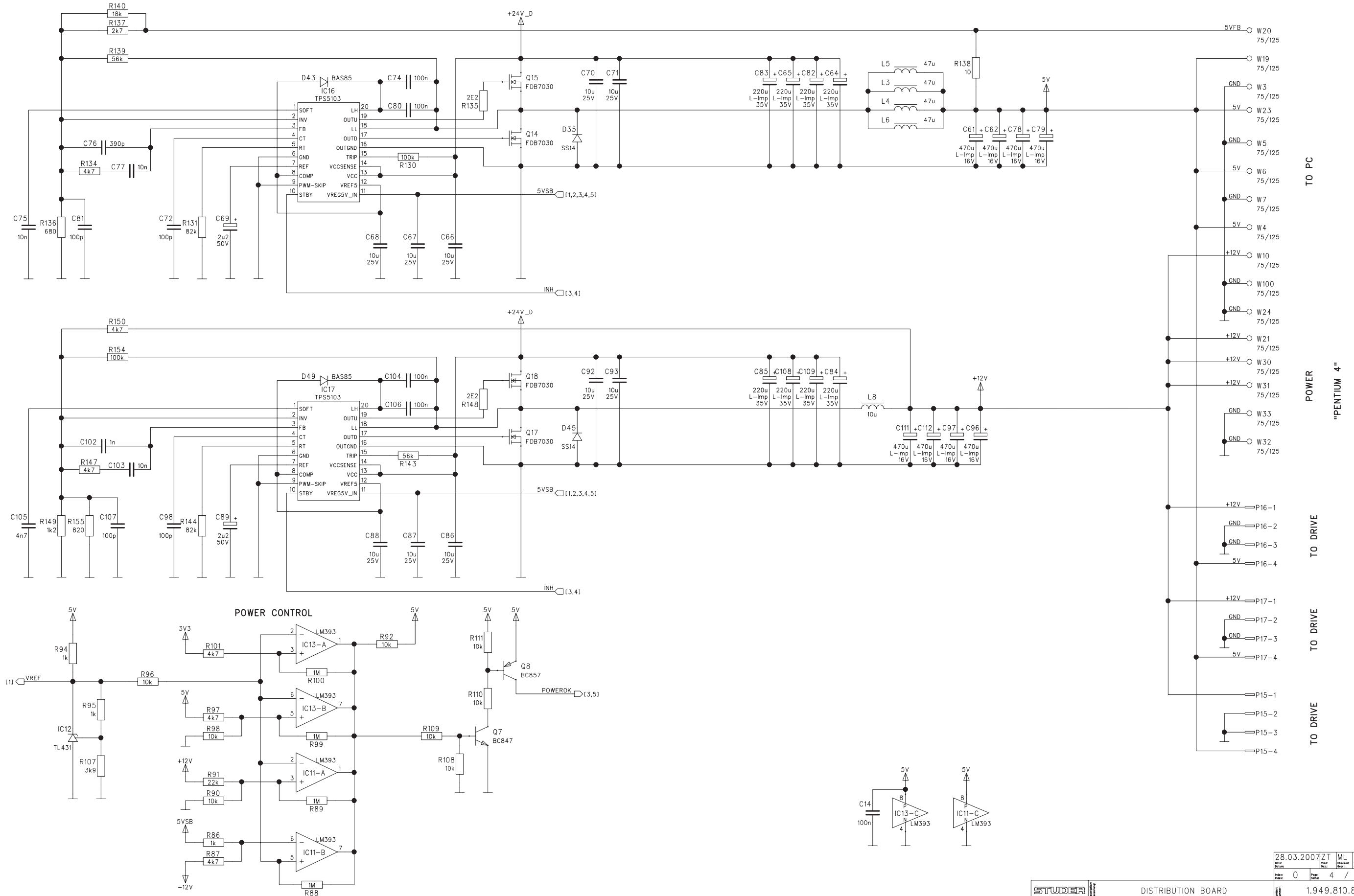
Distribution PCB 1.949.810.81 (0)





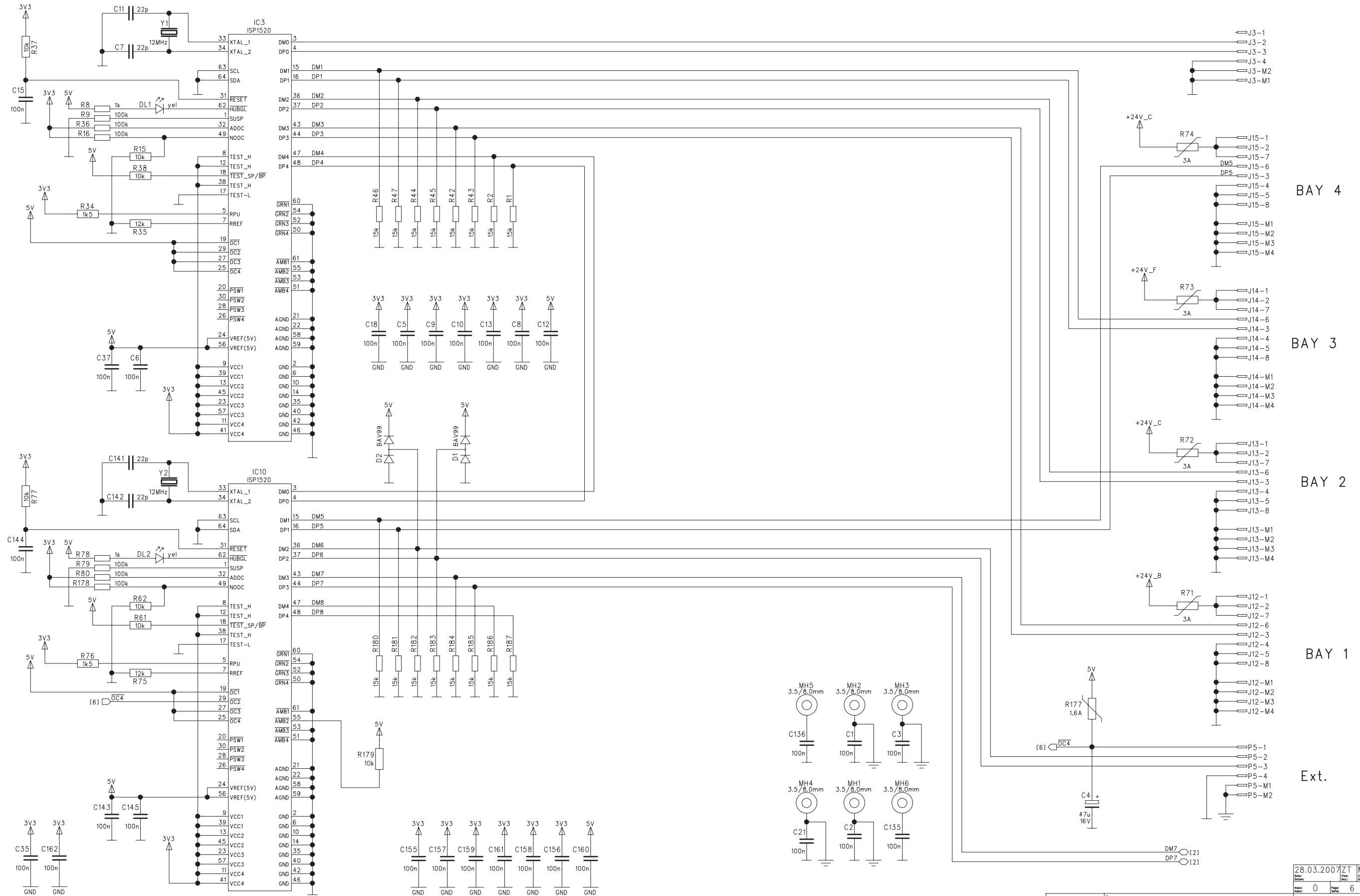
28.03.2007	ZT	IML	.
Date:	Drawn:	View:	Checked:
0	3	3	6
Page:	Page:	Page:	Page:
0	3	3	6
1.949.810.81			

Distribution PCB 1.949.810.81 (0)



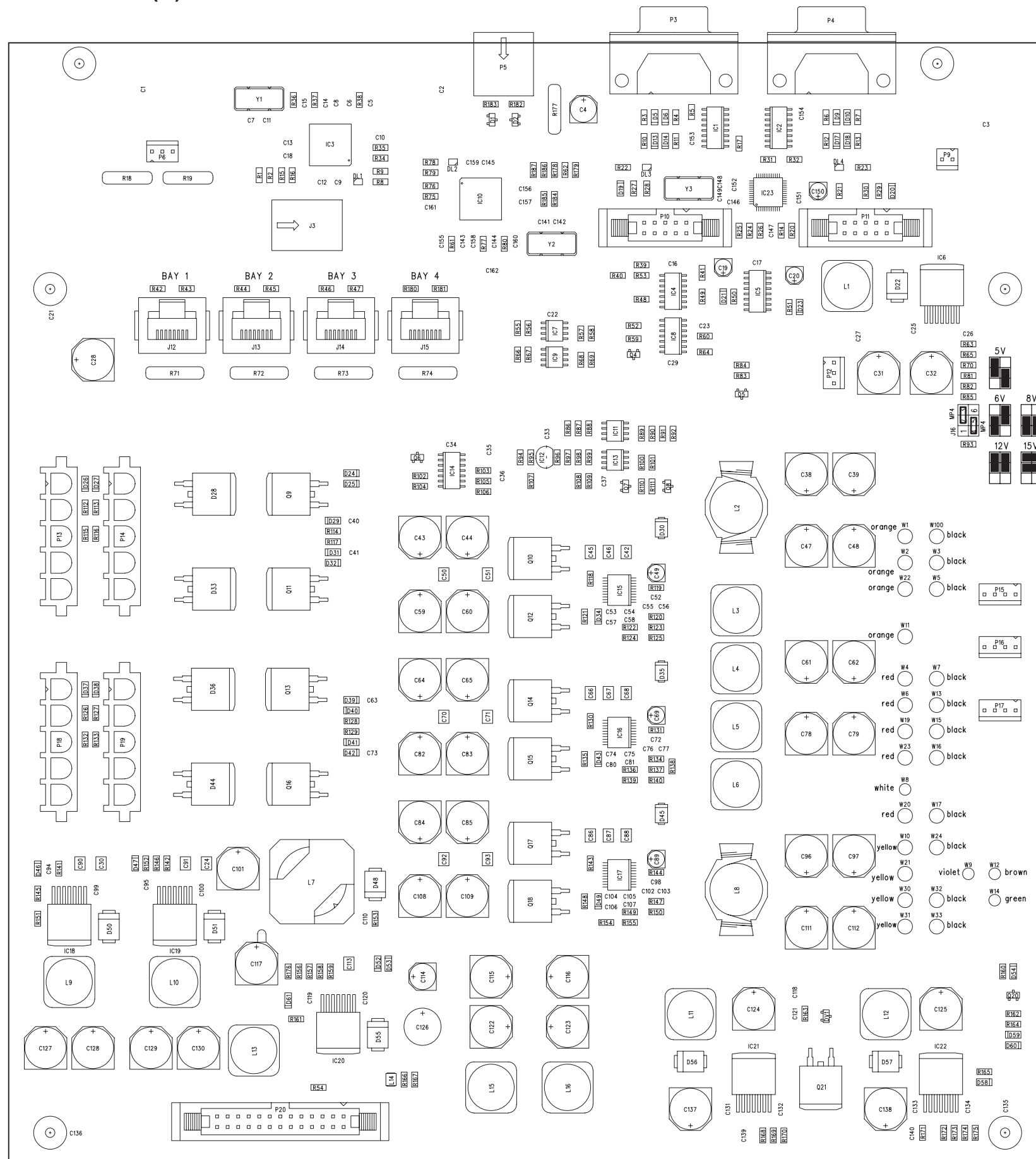
28.03.2007ZT	ML	.
Index	0	Page
Sheet	4	6
1.949.810.81		

Distribution PCB 1.949.810.81 (0)



28.03.2007ZT		ML	.
Doc:	0	Page:	6 / 6
Indic:	0	Sheet:	6 / 6

Distribution PCB 1.949.810.81 (0)



Wires with same color are interchangeable

W1	orange	W100	black
W2	orange	W3	black
W3	black	W5	black
W4	red	W7	black
W5	black	W8	white
W6	red	W9	violet
W7	black	W10	yellow
W8	white	W11	orange
W9	violet	W12	brown
W10	yellow	W13	black
W11	orange	W14	green
W12	brown	W15	black
W13	black	W16	black
W14	green	W17	black
W15	black	W18	don't exist
W16	black	W19	red
W17	black	W20	red
W18	don't exist	W21	yellow
W19	red	W22	orange
W20	red	W23	red
W21	yellow	W24	yellow
W22	orange	W25	yellow
W23	red	W26	yellow
W24	yellow	W27	yellow
W25	yellow	W28	yellow
W26	yellow	W29	yellow
W27	yellow	W30	yellow
W28	yellow	W31	yellow
W29	yellow	W32	black
W30	yellow	W33	black
W31	yellow		
W32	black		
W33	black		

MP5

MP1

Distribution PCB 1.949.810.81 (0)

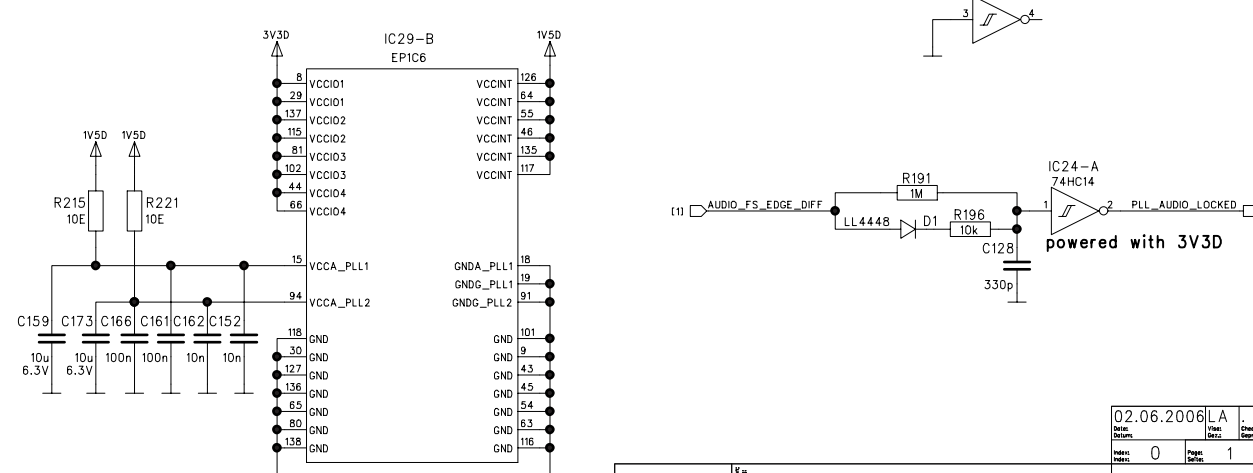
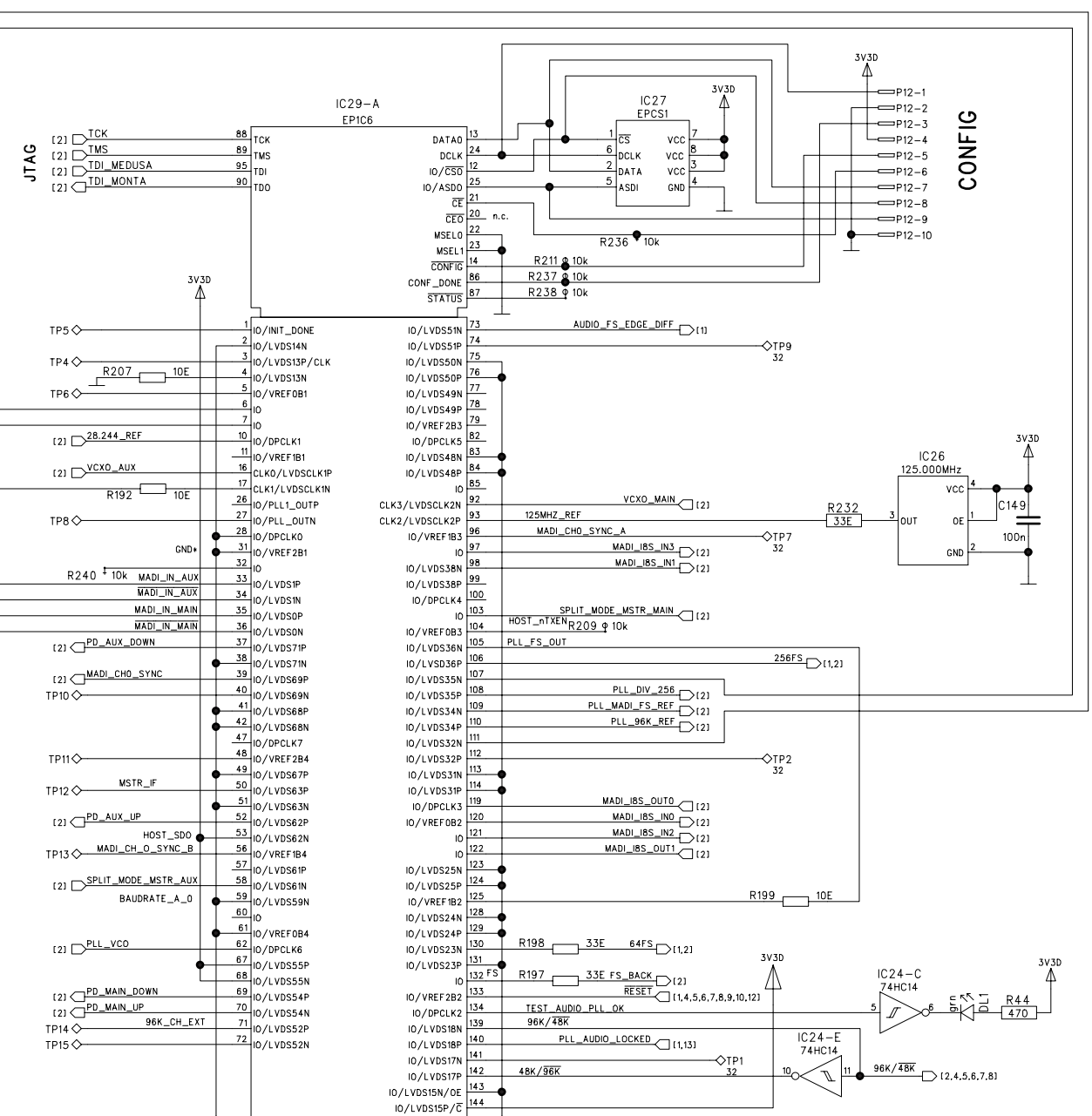
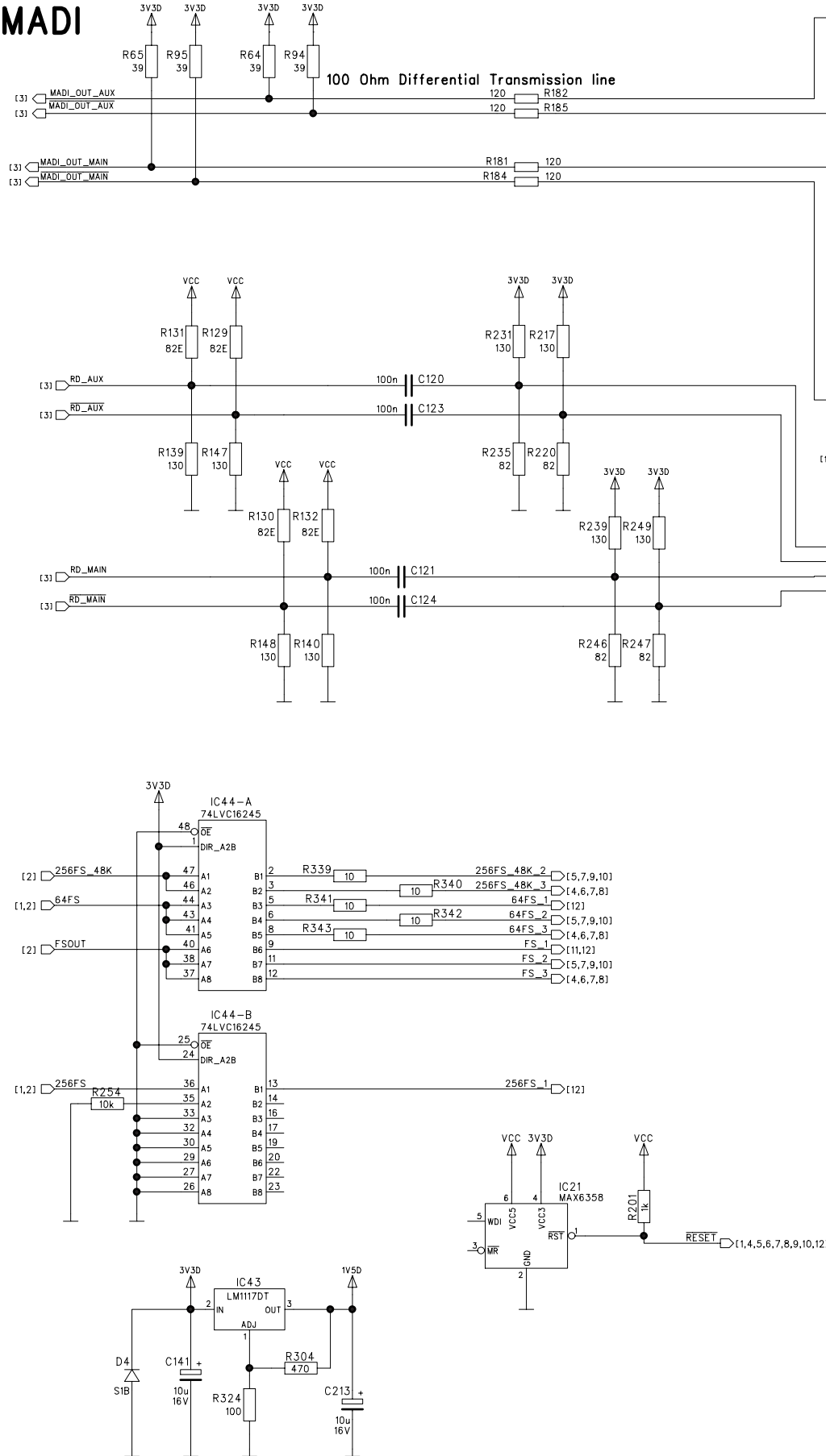
Idx. Pos.	Part No.	Qty.	Type/Val.	Description	Idx. Pos.	Part No.	Qty.	Type/Val.	Description
0 C 1	59.60.3337	1 pce	100n	CER 50V, 10%, X7R, 0805	0 C 103	59.60.3325	1 pce	10n	CER 50V, 10%, X7R, 0805
0 C 2	59.60.3337	1 pce	100n	CER 50V, 10%, X7R, 0805	0 C 104	59.60.3337	1 pce	100n	CER 50V, 10%, X7R, 0805
0 C 3	59.60.3337	1 pce	100n	CER 50V, 10%, X7R, 0805	0 C 105	59.60.3321	1 pce	4n7	CER 50V, 10%, X7R, 0805
0 C 4	59.68.0069	1 pce	47u	EL 16V, 6.3*5.7	0 C 106	59.60.3337	1 pce	100n	CER 50V, 10%, X7R, 0805
0 C 5	59.60.3337	1 pce	100n	CER 50V, 10%, X7R, 0805	0 C 107	59.60.2249	1 pce	100p	CER 50V, 5%, COG, 0603
0 C 6	59.60.3337	1 pce	100n	CER 50V, 10%, X7R, 0805	0 C 108	59.68.0317	1 pce	220u	EL 35V, 10 *10.7 lowESR
0 C 7	59.60.2233	1 pce	22p	CER 50V, 5%, COG, 0603	0 C 109	59.68.0317	1 pce	220u	EL 35V, 10 *10.7 lowESR
0 C 8	59.60.3337	1 pce	100n	CER 50V, 10%, X7R, 0805	0 C 110	59.60.3317	1 pce	2n2	CER 50V, 10%, X7R, 0805
0 C 9	59.60.3337	1 pce	100n	CER 50V, 10%, X7R, 0805	0 C 111	59.68.0275	1 pce	470u	EL 16V, 10 *10.7 lowESR
0 C 10	59.60.3337	1 pce	100n	CER 50V, 10%, X7R, 0805	0 C 112	59.68.0275	1 pce	470u	EL 16V, 10 *10.7 lowESR
0 C 11	59.60.2233	1 pce	22p	CER 50V, 5%, COG, 0603	0 C 113	59.60.3905	1 pce	10u	CER 25V, 1210
0 C 12	59.60.3337	1 pce	100n	CER 50V, 10%, X7R, 0805	0 C 114	59.68.0111	1 pce	22u	EL 35V, 6.3*5.7
0 C 13	59.60.3337	1 pce	100n	CER 50V, 10%, X7R, 0805	0 C 115	59.68.0075	1 pce	470u	EL 16V, 10 *10.7
0 C 14	59.60.3337	1 pce	100n	CER 50V, 10%, X7R, 0805	0 C 116	59.68.0075	1 pce	470u	EL 16V, 10 *10.7
0 C 15	59.60.3337	1 pce	100n	CER 50V, 10%, X7R, 0805	0 C 117	59.68.0317	1 pce	220u	EL 35V, 10 *10.7 lowESR
0 C 16	59.60.3337	1 pce	100n	CER 50V, 10%, X7R, 0805	0 C 118	59.60.3337	1 pce	100n	CER 50V, 10%, X7R, 0805
0 C 17	59.60.3337	1 pce	100n	CER 50V, 10%, X7R, 0805	0 C 119	59.60.3337	1 pce	100n	CER 50V, 10%, X7R, 0805
0 C 18	59.60.3337	1 pce	100n	CER 50V, 10%, X7R, 0805	0 C 120	59.60.3325	1 pce	10n	CER 50V, 10%, X7R, 0805
0 C 19	59.68.0065	1 pce	10u	EL 16V, 4.0*5.7	0 C 121	59.60.3337	1 pce	100n	CER 50V, 10%, X7R, 0805
0 C 20	59.68.0065	1 pce	10u	EL 16V, 4.0*5.7	0 C 122	59.68.0075	1 pce	470u	EL 16V, 10 *10.7
0 C 21	59.60.3337	1 pce	100n	CER 50V, 10%, X7R, 0805	0 C 123	59.68.0075	1 pce	470u	EL 16V, 10 *10.7
0 C 22	59.60.3337	1 pce	100n	CER 50V, 10%, X7R, 0805	0 C 124	59.68.0275	1 pce	470u	EL 16V, 10 *10.7 lowESR
0 C 23	59.60.3337	1 pce	100n	CER 50V, 10%, X7R, 0805	0 C 125	59.68.0317	1 pce	220u	EL 35V, 10 *10.7 lowESR
0 C 24	59.60.3905	1 pce	10u	CER 25V, 1210	0 C 126	59.22.8220	1 pce	22u	EL 63V 20% RM5
0 C 25	59.60.3325	1 pce	10n	CER 50V, 10%, X7R, 0805	0 C 127	59.68.0075	1 pce	470u	EL 16V, 10 *10.7
0 C 26	59.60.3337	1 pce	100n	CER 50V, 10%, X7R, 0805	0 C 128	59.68.0075	1 pce	470u	EL 16V, 10 *10.7
0 C 27	59.60.3337	1 pce	100n	CER 50V, 10%, X7R, 0805	0 C 129	59.68.0075	1 pce	470u	EL 16V, 10 *10.7
0 C 28	59.68.0317	1 pce	220u	EL 35V, 10 *10.7 lowESR	0 C 130	59.68.0075	1 pce	470u	EL 16V, 10 *10.7
0 C 29	59.60.3337	1 pce	100n	CER 50V, 10%, X7R, 0805	0 C 131	59.60.3325	1 pce	10n	CER 50V, 10%, X7R, 0805
0 C 30	59.60.3905	1 pce	10u	CER 25V, 1210	0 C 132	59.60.3337	1 pce	100n	CER 50V, 10%, X7R, 0805
0 C 31	59.68.0275	1 pce	470u	EL 16V, 10 *10.7 lowESR	0 C 133	59.60.3325	1 pce	10n	CER 50V, 10%, X7R, 0805
0 C 32	59.68.0317	1 pce	220u	EL 35V, 10 *10.7 lowESR	0 C 134	59.60.3337	1 pce	100n	CER 50V, 10%, X7R, 0805
0 C 33	59.60.3337	1 pce	100n	CER 50V, 10%, X7R, 0805	0 C 135	59.60.3337	1 pce	100n	CER 50V, 10%, X7R, 0805
0 C 34	59.60.3337	1 pce	100n	CER 50V, 10%, X7R, 0805	0 C 136	59.60.3337	1 pce	100n	CER 50V, 10%, X7R, 0805
0 C 35	59.60.3337	1 pce	100n	CER 50V, 10%, X7R, 0805	0 C 137	59.68.0317	1 pce	220u	EL 35V, 10 *10.7 lowESR
0 C 36	59.60.2373	1 pce	1n0	CER 50V, 5%, COG, 0805	0 C 138	59.68.0317	1 pce	220u	EL 35V, 10 *10.7 lowESR
0 C 37	59.60.3337	1 pce	100n	CER 50V, 10%, X7R, 0805	0 C 139	59.60.3337	1 pce	100n	CER 50V, 10%, X7R, 0805
0 C 38	59.68.0275	1 pce	470u	EL 16V, 10 *10.7 lowESR	0 C 140	59.60.3337	1 pce	100n	CER 50V, 10%, X7R, 0805
0 C 39	59.68.0275	1 pce	470u	EL 16V, 10 *10.7 lowESR	0 C 141	59.60.2233	1 pce	22p	CER 50V, 5%, COG, 0603
0 C 40	59.60.3325	1 pce	10n	CER 50V, 10%, X7R, 0805	0 C 142	59.60.2233	1 pce	22p	CER 50V, 5%, COG, 0603
0 C 41	59.60.3325	1 pce	10n	CER 50V, 10%, X7R, 0805	0 C 143	59.60.3337	1 pce	100n	CER 50V, 10%, X7R, 0805
0 C 42	59.60.3905	1 pce	10u	CER 25V, 1210	0 C 144	59.60.3337	1 pce	100n	CER 50V, 10%, X7R, 0805
0 C 43	not used	1 pce	220u	EL 35V, 10 *10.7 lowESR	0 C 145	59.60.3337	1 pce	100n	CER 50V, 10%, X7R, 0805
0 C 44	59.68.0317	1 pce	220u	EL 35V, 10 *10.7 lowESR	0 C 146	59.60.3337	1 pce	100n	CER 50V, 10%, X7R, 0805
0 C 45	59.60.3905	1 pce	10u	CER 25V, 1210	0 C 147	59.60.3337	1 pce	100n	CER 50V, 10%, X7R, 0805
0 C 46	59.60.3905	1 pce	10u	CER 25V, 1210	0 C 148	59.60.2235	1 pce	27p	CER 50V, 5%, COG, 0603
0 C 47	59.68.0275	1 pce	470u	EL 16V, 10 *10.7 lowESR	0 C 149	59.60.2235	1 pce	27p	CER 50V, 5%, COG, 0603
0 C 48	59.68.0275	1 pce	470u	EL 16V, 10 *10.7 lowESR	0 C 150	59.68.0065	1 pce	10u	EL 16V, 4.0*5.7
0 C 49	59.68.0129	1 pce	2u2	EL 50V, 4.0*5.7	0 C 151	59.60.3337	1 pce	100n	CER 50V, 10%, X7R, 0805
0 C 50	59.60.3905	1 pce	10u	CER 25V, 1210	0 C 152	59.60.3337	1 pce	100n	CER 50V, 10%, X7R, 0805
0 C 51	59.60.3905	1 pce	10u	CER 25V, 1210	0 C 153	59.60.3337	1 pce	100n	CER 50V, 10%, X7R, 0805
0 C 52	59.60.2249	1 pce	100p	CER 50V, 5%, COG, 0603	0 C 154	59.60.3337	1 pce	100n	CER 50V, 10%, X7R, 0805
0 C 53	59.60.3337	1 pce	100n	CER 50V, 10%, X7R, 0805	0 C 155	59.60.3337	1 pce	100n	CER 50V, 10%, X7R, 0805
0 C 54	59.60.3321	1 pce	4n7	CER 50V, 10%, X7R, 0805	0 C 156	59.60.3337	1 pce	100n	CER 50V, 10%, X7R, 0805
0 C 55	59.60.2365	1 pce	470p	CER 50V, 5%, COG, 0805	0 C 157	59.60.3337	1 pce	100n	CER 50V, 10%, X7R, 0805
0 C 56	59.60.3325	1 pce	10n	CER 50V, 10%, X7R, 0805	0 C 158	59.60.3337	1 pce	100n	CER 50V, 10%, X7R, 0805
0 C 57	59.60.3337	1 pce	100n	CER 50V, 10%, X7R, 0805	0 C 159	59.60.3337	1 pce	100n	CER 50V, 10%, X7R, 0805
0 C 58	59.60.2249	1 pce	100p	CER 50V, 5%, COG, 0603	0 C 160	59.60.3337	1 pce	100n	CER 50V, 10%, X7R, 0805
0 C 59	59.68.0317	1 pce	220u	EL 35V, 10 *10.7 lowESR	0 C 161	59.60.3337	1 pce	100n	CER 50V, 10%, X7R, 0805
0 C 60	59.68.0317	1 pce	220u	EL 35V, 10 *10.7 lowESR	0 C 162	59.60.3337	1 pce	100n	CER 50V, 10%, X7R, 0805
0 C 61	59.68.0275	1 pce	470u	EL 16V, 10 *10.7 lowESR	0 D 1	50.60.8901	1 pce	BAV99	250mA 70V dual SOT 23
0 C 62	59.68.0275	1 pce	470u	EL 16V, 10 *10.7 lowESR	0 D 2	50.60.8901	1 pce	BAV99	250mA 70V dual SOT 23
0 C 63	59.60.3325	1 pce	10n	CER 50V, 10%, X7R, 0805	0 D 5	50.60.8001	1 pce	4448	200mA 75V 4ns SOD 80
0 C 64	not used	1 pce	220u	EL 35V, 10 *10.7 lowESR	0 D 6	50.60.8001	1 pce	4448	200mA 75V 4ns SOD 80
0 C 65	59.68.0317	1 pce	220u	EL 35V, 10 *10.7 lowESR	0 D 9	50.60.8001	1 pce	4448	200mA 75V 4ns SOD 80
0 C 66	59.60.3905	1 pce	10u	CER 25V, 1210	0 D 10	50.60.8001	1 pce	4448	200mA 75V 4ns SOD 80
0 C 67	59.60.3905	1 pce	10u	CER 25V, 1210	0 D 13	50.60.8001	1 pce	4448	200mA 75V 4ns SOD 80
0 C 68	59.60.3905	1 pce	10u	CER 25V, 1210	0 D 14	50.60.8001	1 pce	4448	200mA 75V 4ns SOD 80
0 C 69	59.68.0129	1 pce	2u2	EL 50V, 4.0*5.7	0 D 17	50.60.8001	1 pce	4448	200mA 75V 4ns SOD 80
0 C 70	59.60.3905	1 pce	10u	CER 25V, 1210	0 D 18	50.60.8001	1 pce	4448	200mA 75V 4ns SOD 80
0 C 71	59.60.3905	1 pce	10u	CER 25V, 1210	0 D 19	not used	1 pce	4448	200mA 75V 4ns SOD 80
0 C 72	59.60.2249	1 pce	100p	CER 50V, 5%, COG, 0603	0 D 20	not used	1 pce	4448	200mA 75V 4ns SOD 80
0 C 73	59.60.3325	1 pce	10n	CER 50V, 10%, X7R, 0805	0 D 21	50.60.8001	1 pce	4448	200mA 75V 4ns SOD 80
0 C 74	59.60.3337	1 pce	100n	CER 50V, 10%, X7R, 0805	0 D 22	50.60.8102	1 pce	SS34	3A 40V Schottky
0 C 75	59.60.3325	1 pce	10n	CER 50V, 10%, X7R, 0805	0 D 23	50.60.8001	1 pce	4448	200mA 75V 4ns SOD 80
0 C 76	59.60.2363	1 pce	390p	CER 50V, 5%, COG, 0805	0 D 24	50.60.8001	1 pce	4448	200mA 75V 4ns SOD 80
0 C 77	59.60.3325	1 pce	10n	CER 50V, 10%, X7R, 0805	0 D 25	50.60.8101	1 pce	BAS85	200mA 30V Schottky SOD 80
0 C 78	59.68.0275	1 pce	470u	EL 16V, 10 *10.7 lowESR	0 D 26	50.60.8001	1 pce	4448	200mA 75V 4ns SOD 80
0 C 79	59.68.0275	1 pce	470u	EL 16V, 10 *10.7 lowESR	0 D 27	50.60.8001	1 pce	4448	200mA 75V 4ns SOD 80
0 C 80	59.60.3337	1 pce	100n	CER 50V, 10%, X7R, 0805	0 D 28	50.60.8180	1 pce	MBRB2535	2*15A 30V Schottky
0 C 81	59.60.2249	1 pce	100p	CER 50V, 5%, COG, 0603	0 D 29	50.60.8101	1 pce	BAS85	200mA 30V Schottky SOD 80
0 C 82	59.68.0317	1 pce	220u	EL 35V, 10 *10.7 lowESR	0 D 30	50.60.8103	1 pce	SS14	1A 40V Schottky
0 C 83	59.68.0317	1 pce	220u	EL 35V, 10 *10.7 lowESR	0 D 31	50.60.8101	1 pce	BAS85	200mA 30V Schottky SOD 80
0 C 84	not used	1 pce	220u	EL 35V, 10 *10.7 lowESR	0 D 32	50.60.8101	1 pce	BAS85	200mA 30V Schottky SOD 80
0 C 85	59.68.0317	1 pce	220u	EL 35V, 10 *10.7 lowESR	0 D 33	50.60.8180	1 pce	MBRB2535	2*15A 30V Schottky
0 C 86	59.60.3905	1 pce	10u	CER 25V, 1210	0 D 34	50.60.8101	1 pce	BAS85	200mA 30V Schottky SOD 80
0 C 87	59.60.3905	1 pce	10u	CER 25V, 1210	0 D 35	50.60.8103	1 pce	SS14	1A 40V Schottky
0 C 88	59.60.3905	1 pce	10u	CER 25V, 1210	0 D 36	50.60.8180	1 pce	MBRB2535	2*15A 30V Schottky
0 C 89	59.68.0129	1 pce	2u2	EL 50V, 4.0*5.7	0 D 37	50.60.8001	1 pce	4448	200mA 75V 4ns SOD 80
0 C 90	59.60.3905	1 pce	10u	CER 25V, 1210	0 D 38	50.60.8001	1 pce	4448	200mA 75V 4ns SOD 80
0 C 91	59.60.3905	1 pce	10u	CER 25V, 1210	0 D 39	50.60.8101	1 pce	BAS85	200mA 30V Schottky SOD 80
0 C 92	59.60.3905	1 pce	10u	CER 25V, 1210	0 D 40	50.60.8101	1 pce		

Distribution PCB 1.949.810.81 (0)

Idx. Pos.	Part No.	Qty.	Type/Val.	Description	Idx. Pos.	Part No.	Qty.	Type/Val.	Description
0 D 52	50.60.8001	1 pce	4448	200mA 75V 4ns SOD 80	0 R 6	57.60.1152	1 pce	1k5	MF, 1%, 0204, E24
0 D 53	50.60.8001	1 pce	4448	200mA 75V 4ns SOD 80	0 R 7	57.60.1220	1 pce	22R	MF, 1%, 0204, E24
0 D 54	50.60.8001	1 pce	4448	200mA 75V 4ns SOD 80	0 R 8	57.60.1102	1 pce	1k0	MF, 1%, 0204, E24
0 D 55	50.60.8102	1 pce	SS34	3A 40V Schottky	0 R 9	57.60.1104	1 pce	100k	MF, 1%, 0204, E24
0 D 56	50.60.8102	1 pce	SS34	3A 40V Schottky	0 R 10	57.60.1152	1 pce	1k5	MF, 1%, 0204, E24
0 D 57	50.60.8102	1 pce	SS34	3A 40V Schottky	0 R 11	57.60.1220	1 pce	22R	MF, 1%, 0204, E24
0 D 58	50.60.8001	1 pce	4448	200mA 75V 4ns SOD 80	0 R 12	57.60.1152	1 pce	1k5	MF, 1%, 0204, E24
0 D 59	50.60.8001	1 pce	4448	200mA 75V 4ns SOD 80	0 R 13	57.60.1220	1 pce	22R	MF, 1%, 0204, E24
0 D 60	50.60.8001	1 pce	4448	200mA 75V 4ns SOD 80	0 R 14	57.60.1152	1 pce	1k5	MF, 1%, 0204, E24
0 D 61	50.60.8001	1 pce	4448	200mA 75V 4ns SOD 80	0 R 15			not used	1 pce 10k
0 DL 1	50.60.9402	1 pce	yel	SMD LED yellow	0 R 16	57.60.1104	1 pce	100k	MF, 1%, 0204, E24
0 DL 2	50.60.9402	1 pce	yel	SMD LED yellow	0 R 17	57.60.1121	1 pce	120R	MF, 1%, 0204, E24
0 DL 3	50.60.9402	1 pce	yel	SMD LED yellow	0 R 18	57.92.7053	1 pce	1.6A	PTC 30V
0 DL 4	50.60.9402	1 pce	yel	SMD LED yellow	0 R 19	57.92.7053	1 pce	1.6A	PTC 30V
0 DV 1	50.60.9012	1 pce	6V2	5%, 0.2W, SOT 23	0 R 20	57.60.1103	1 pce	10k	MF, 1%, 0204, E24
0 IC 1	50.62.0463	1 pce	DS34C86	4*RS 422 Line Receiver	0 R 21	57.60.1103	1 pce	10k	MF, 1%, 0204, E24
0 IC 2	50.62.0464	1 pce	DS34C87	4*RS 422 Line Driver	0 R 22	57.60.1332	1 pce	3k3	MF, 1%, 0204, E24
0 IC 3	50.63.0217	1 pce	ISP 1520	4-fach USB hub	0 R 23	57.60.1332	1 pce	3k3	MF, 1%, 0204, E24
0 IC 4	50.62.1014	1 pce	74HC 14	Hex Schmitt trigger inverter	0 R 24	57.60.1000	1 pce	0R0	MF, 0204
0 IC 5	50.62.8053	1 pce	HC4053	Tripple 2ch analog mux/demux	0 R 25	57.60.1471	1 pce	470R	MF, 1%, 0204, E24
0 IC 6	50.61.2005	1 pce	LM2673ADJ	Step down converter	0 R 26	57.60.1103	1 pce	10k	MF, 1%, 0204, E24
0 IC 7	50.61.9001	1 pce	LM393	Dual voltage comp. SO 8	0 R 27			not used	1 pce 2k7
0 IC 8	50.62.1074	1 pce	74HC 74	Dual D-type FF, preset clear	0 R 28			not used	1 pce 4k7
0 IC 9	50.61.9001	1 pce	LM393	Dual voltage comp. SO 8	0 R 29			not used	1 pce 2k7
0 IC 10	50.63.0217	1 pce	ISP 1520	4-fach USB hub	0 R 30			not used	1 pce 4k7
0 IC 11	50.61.9001	1 pce	LM393	Dual voltage comp. SO 8	0 R 31	57.60.1000	1 pce	0R0	MF, 0204
0 IC 12	50.10.0106	1 pce	TL431	Shunt regulator	0 R 32	57.60.1000	1 pce	0R0	MF, 0204
0 IC 13	50.61.9001	1 pce	LM393	Dual voltage comp. SO 8	0 R 34	57.60.1152	1 pce	1k5	MF, 1%, 0204, E24
0 IC 14	50.62.1132	1 pce	74HC132	Quad 2input Schmitt trigg NAND	0 R 35	57.60.1123	1 pce	12k	MF, 1%, 0204, E24
0 IC 15	50.61.2004	1 pce	TPS 5103	Sync step down converter	0 R 36	57.60.1104	1 pce	100k	MF, 1%, 0204, E24
0 IC 16	50.61.2004	1 pce	TPS 5103	Sync step down converter	0 R 37	57.60.1103	1 pce	10k	MF, 1%, 0204, E24
0 IC 17	50.61.2004	1 pce	TPS 5103	Sync step down converter	0 R 38	57.60.1103	1 pce	10k	MF, 1%, 0204, E24
0 IC 18	50.61.2005	1 pce	LM2673ADJ	Step down converter	0 R 39	57.60.1103	1 pce	10k	MF, 1%, 0204, E24
0 IC 19	50.61.2005	1 pce	LM2673ADJ	Step down converter	0 R 40	57.60.1103	1 pce	10k	MF, 1%, 0204, E24
0 IC 20	50.61.2005	1 pce	LM2673ADJ	Step down converter	0 R 41	57.60.1103	1 pce	10k	MF, 1%, 0204, E24
0 IC 21	50.61.2005	1 pce	LM2673ADJ	Step down converter	0 R 42	57.60.1153	1 pce	15k	MF, 1%, 0204, E24
0 IC 22	50.61.2005	1 pce	LM2673ADJ	Step down converter	0 R 43	57.60.1153	1 pce	15k	MF, 1%, 0204, E24
0 IC 23	50.63.0220	1 pce	FT2232D	USB to UART	0 R 44	57.60.1153	1 pce	15k	MF, 1%, 0204, E24
0 J 3	54.20.1102	1 pce	4p	USB Stecker Typ B	0 R 45	57.60.1153	1 pce	15k	MF, 1%, 0204, E24
0 J 12	54.20.1005	1 pce	8p	RJ 45 Modular Jack top entry	0 R 46	57.60.1153	1 pce	15k	MF, 1%, 0204, E24
0 J 13	54.20.1005	1 pce	8p	RJ 45 Modular Jack top entry	0 R 47	57.60.1153	1 pce	15k	MF, 1%, 0204, E24
0 J 14	54.20.1005	1 pce	8p	RJ 45 Modular Jack top entry	0 R 48	57.60.1152	1 pce	1k5	MF, 1%, 0204, E24
0 J 15	54.20.1005	1 pce	8p	RJ 45 Modular Jack top entry	0 R 49	57.60.1103	1 pce	10k	MF, 1%, 0204, E24
0 J 16	54.11.0136	1 pce	2*3p	Pin 0.63*0.63, RM2.54	0 R 50	57.60.1224	1 pce	220k	MF, 1%, 0204, E24
0 L 1	62.60.0518	1 pce	47uH	SMD 2.5A	0 R 51	57.60.1224	1 pce	220k	MF, 1%, 0204, E24
0 L 2	62.60.0510	1 pce	10uH	SMD 6.5A 8860	0 R 52	57.60.1222	1 pce	2k2	MF, 1%, 0204, E24
0 L 3	62.60.0518	1 pce	47uH	SMD 2.5A	0 R 53	57.60.1103	1 pce	10k	MF, 1%, 0204, E24
0 L 4	62.60.0518	1 pce	47uH	SMD 2.5A	0 R 54	57.60.1103	1 pce	10k	MF, 1%, 0204, E24
0 L 5	62.60.0518	1 pce	47uH	SMD 2.5A	0 R 55	57.60.1104	1 pce	100k	MF, 1%, 0204, E24
0 L 6	62.60.0518	1 pce	47uH	SMD 2.5A	0 R 56	57.60.1105	1 pce	1M0	MF, 1%, 0204, E24
0 L 7	1.022.651.00	1 pce	250uH	Storage Inductor 2*250UH	0 R 57	57.60.1105	1 pce	1M0	MF, 1%, 0204, E24
0 L 8	62.60.0510	1 pce	10uH	SMD 6.5A 8860	0 R 58	57.60.1104	1 pce	100k	MF, 1%, 0204, E24
0 L 9	62.60.0518	1 pce	47uH	SMD 2.5A	0 R 59	57.60.1103	1 pce	10k	MF, 1%, 0204, E24
0 L 10	62.60.0518	1 pce	47uH	SMD 2.5A	0 R 60	57.60.1105	1 pce	1M0	MF, 1%, 0204, E24
0 L 11	62.60.0518	1 pce	47uH	SMD 2.5A	0 R 61	57.60.1103	1 pce	10k	MF, 1%, 0204, E24
0 L 12	62.60.0518	1 pce	47uH	SMD 2.5A	0 R 62			not used	1 pce 10k
0 L 13	62.60.0518	1 pce	47uH	SMD 2.5A	0 R 63	57.60.1152	1 pce	1k5	MF, 1%, 0204, E24
0 L 14	62.60.0125	1 pce	100uH	SMD 10% 1210	0 R 64	57.60.1105	1 pce	1M0	MF, 1%, 0204, E24
0 L 15	62.60.0518	1 pce	47uH	SMD 2.5A	0 R 65	57.60.1153	1 pce	15k	MF, 1%, 0204, E24
0 L 16	62.60.0518	1 pce	47uH	SMD 2.5A	0 R 66	57.60.1104	1 pce	100k	MF, 1%, 0204, E24
0 MP 1	1.949.810.14	1 pce		DISTRIBUTION BOARD PCB	0 R 67	57.60.1105	1 pce	1M0	MF, 1%, 0204, E24
0 MP 2	1.949.810.10	1 pce		Nr. ETIKETTE 5x20	0 R 68	57.60.1105	1 pce	1M0	MF, 1%, 0204, E24
0 MP 3	43.01.0108	1 pce	Label	ESE-Warnschild	0 R 69	57.60.1104	1 pce	100k	MF, 1%, 0204, E24
0 MP 4	54.01.0021	2 pcs	Jumper	0.63*0.63mm, Au	0 R 70	57.60.1472	1 pce	4k7	MF, 1%, 0204, E24
0 MP 5	1.949.810.93	1 pce		LL DISTRIBUTION BOARD	0 R 71	57.92.7057	1 pce	3.0A	PTC 30V
0 P 3	54.13.0071	1 pce	9p	D-Sub, PCB, Winkel	0 R 72	57.92.7057	1 pce	3.0A	PTC 30V
0 P 4	54.13.0071	1 pce	9p	D-Sub, PCB, Winkel	0 R 73	57.92.7057	1 pce	3.0A	PTC 30V
0 P 5	54.20.1101	1 pce	4p	USB Stecker Typ A	0 R 74	57.92.7057	1 pce	3.0A	PTC 30V
0 P 6	54.12.0703	1 pce	3p	Stecker gerade PCB	0 R 75	57.60.1123	1 pce	12k	MF, 1%, 0204, E24
0 P 9	54.12.0702	1 pce	2p	Stecker gerade PCB	0 R 76	57.60.1152	1 pce	1k5	MF, 1%, 0204, E24
0 P 10		not used	10p	Stecker gerade Au	0 R 77	57.60.1103	1 pce	10k	MF, 1%, 0204, E24
0 P 11		not used	10p	Stecker gerade Au	0 R 78	57.60.1102	1 pce	1k0	MF, 1%, 0204, E24
0 P 12	54.12.0703	1 pce	3p	Stecker gerade PCB	0 R 79	57.60.1104	1 pce	100k	MF, 1%, 0204, E24
0 P 13	54.25.0005	1 pce	5p	Buchse, 16A, vertikal, PCB	0 R 80	57.60.1104	1 pce	100k	MF, 1%, 0204, E24
0 P 14	54.25.0005	1 pce	5p	Buchse, 16A, vertikal, PCB	0 R 81	57.60.1392	1 pce	3k9	MF, 1%, 0204, E24
0 P 15	54.12.0704	1 pce	4p	Stecker gerade PCB	0 R 82	57.60.1103	1 pce	10k	MF, 1%, 0204, E24
0 P 16	54.12.0704	1 pce	4p	Stecker gerade PCB	0 R 83	57.60.1103	1 pce	10k	MF, 1%, 0204, E24
0 P 17	54.12.0704	1 pce	4p	Stecker gerade PCB	0 R 84	57.60.1103	1 pce	10k	MF, 1%, 0204, E24
0 P 18	54.25.0005	1 pce	5p	Buchse, 16A, vertikal, PCB	0 R 85	57.60.1273	1 pce	27k	MF, 1%, 0204, E24
0 P 19	54.25.0005	1 pce	5p	Buchse, 16A, vertikal, PCB	0 R 86	57.60.1102	1 pce	1k0	MF, 1%, 0204, E24
0 P 20	54.14.2053	1 pce	26p	Stecker gerade Au	0 R 87	57.60.1472	1 pce	4k7	MF, 1%, 0204, E24
0 Q 4	50.60.1001	1 pce	BC857B	PNP 45V 100mA SOT 23	0 R 88	57.60.1105	1 pce	1M0	MF, 1%, 0204, E24
0 Q 5	50.60.1001	1 pce	BC857B	PNP 45V 100mA SOT 23	0 R 89	57.60.1105	1 pce	1M0	MF, 1%, 0204, E24
0 Q 6	50.60.0001	1 pce	BC847B	NPN 45V 100mA SOT 23	0 R 90	57.60.1103	1 pce	10k	MF, 1%, 0204, E24
0 Q 7	50.60.0001	1 pce	BC847B	NPN 45V 100mA SOT 23	0 R 91	57.60.1223	1 pce	22k	MF, 1%, 0204, E24
0 Q 8	50.60.1001	1 pce	BC857B	PNP 45V 100mA SOT 23	0 R 92	57.60.1103	1 pce	10k	MF, 1%, 0204, E24
0 Q 9	50.60.2204	1 pce	IRL3713	PowerMOS N-Ch 30V, 75A	0 R 93	57.60.1152	1 pce	1k5	MF, 1%, 0204, E24
0 Q 10	50.60.2202	1 pce	FDB7030	PowerMOS N-Ch 30V, 50A	0 R 94	57.60.1102	1 pce	1k0	MF, 1%, 0204, E24
0 Q 11	50.60.2204	1 pce	IRL3713	PowerMOS N-Ch 30V, 75A	0 R 95	57.60.1102	1 pce	1k0	MF, 1%, 0204, E24
0 Q 12	50.60.2202	1 pce	FDB7030	PowerMOS N-Ch 30V, 50A	0 R 96	57.60.1103	1 pce	10k	MF, 1%, 0204, E24
0 Q 13	50.60.2204	1 pce	IRL3713	PowerMOS N-Ch 30V, 75A	0 R 97	57.60.1472	1 pce	4k7	MF, 1%, 0204, E24
0 Q 14	50.60.2202	1 pce	FDB7030	PowerMOS N-Ch 30V, 50A	0 R 98	57.60.1103	1 pce	10k	MF, 1%, 0204, E24
0 Q 15	50.60.2202	1 pce	FDB7030	PowerMOS N-Ch 30V, 50A	0 R 99	57.60.1105	1 pce	1M0	MF, 1%, 0204, E24
0 Q 16	50.60.2204	1 pce	IRL3713	PowerMOS N-Ch 30V, 75A	0 R 100	57.60.1105	1 pce	1M0	MF, 1%, 0204, E24
0 Q 17	50.60.2202	1 pce	FDB7030	PowerMOS N-Ch 30V, 50A	0 R 101	57.60.1472	1 pce	4k7	MF, 1%, 0204, E24
0 Q 18	50.60.2202	1 pce	FDB7030	PowerMOS N-Ch 30V, 50A	0 R 102	57.60.1103	1 pce	10k	MF, 1%, 0204, E24
0 Q 20	50.60.1001	1 pce	BC857B	PNP 45V 100mA SOT 23	0 R 103	57.60.1104	1 pce	100k	MF, 1%, 0204, E24
0 Q 21	50.60.7001	1 pce	BT138B	Triac 8A, 600V, SOT 404	0 R 104	57.60.1472	1 pce	4k7	MF, 1%, 0204, E24
0 R 1	57.60.1153	1 pce	15k	MF, 1%, 0204, E24	0 R 105	57.60.1103	1 pce	10k	MF, 1%, 0204, E24
0 R 2	57.60.1153	1 pce	15k	MF, 1%, 0204, E24	0 R 106	57.60.1103	1 pce	10k	MF, 1%, 0204, E24
0 R 3	57.60.1152	1 pce	1k5	MF, 1%, 0204, E24	0 R 107	57.60.1392	1 pce	3k9	MF, 1%, 0204, E24
0 R 4	57.60.1220	1 pce	22R	MF, 1%, 0204, E24	0 R 108	57.60.1103	1 pce	10k	MF, 1%, 0204, E24

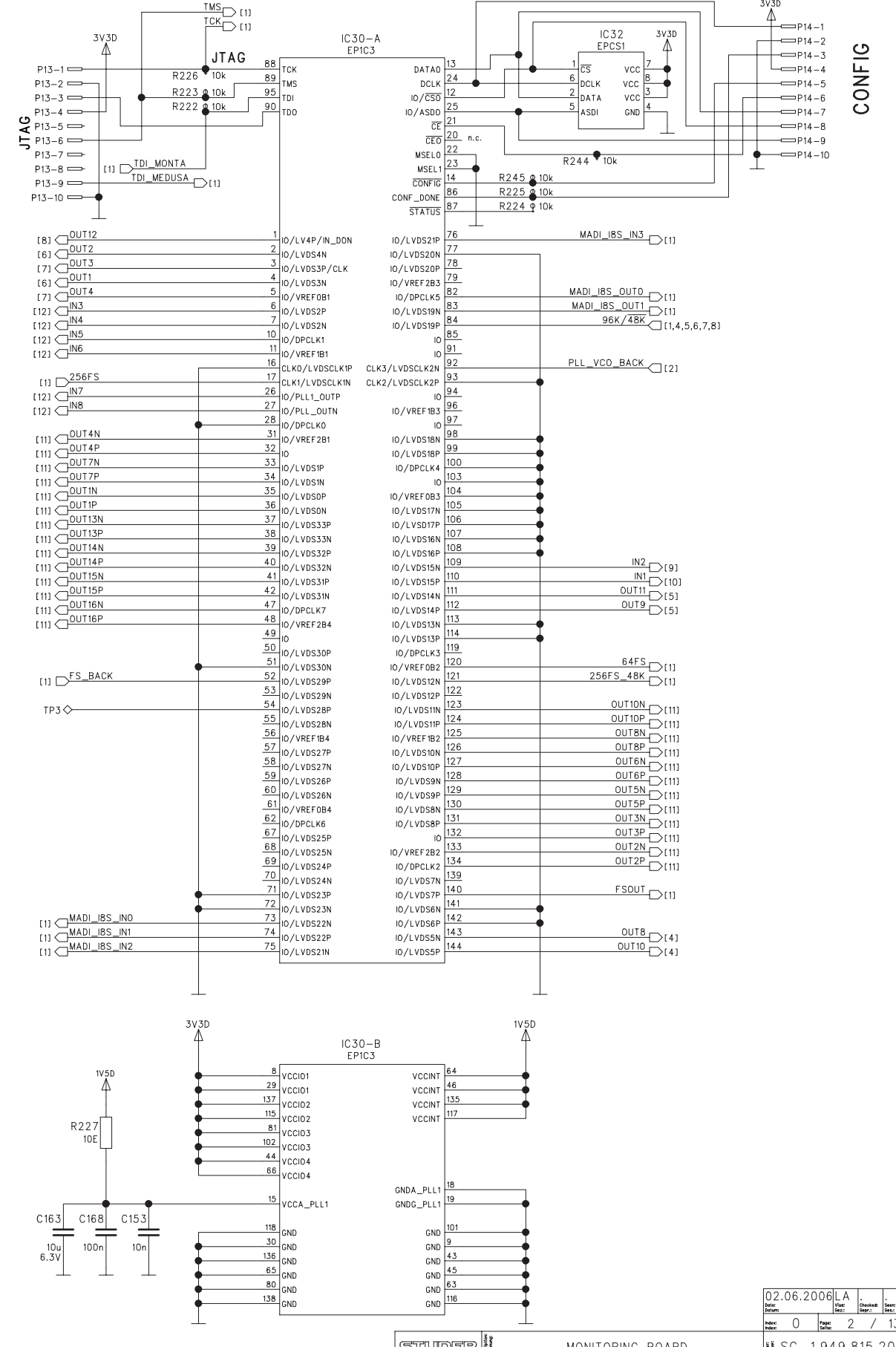
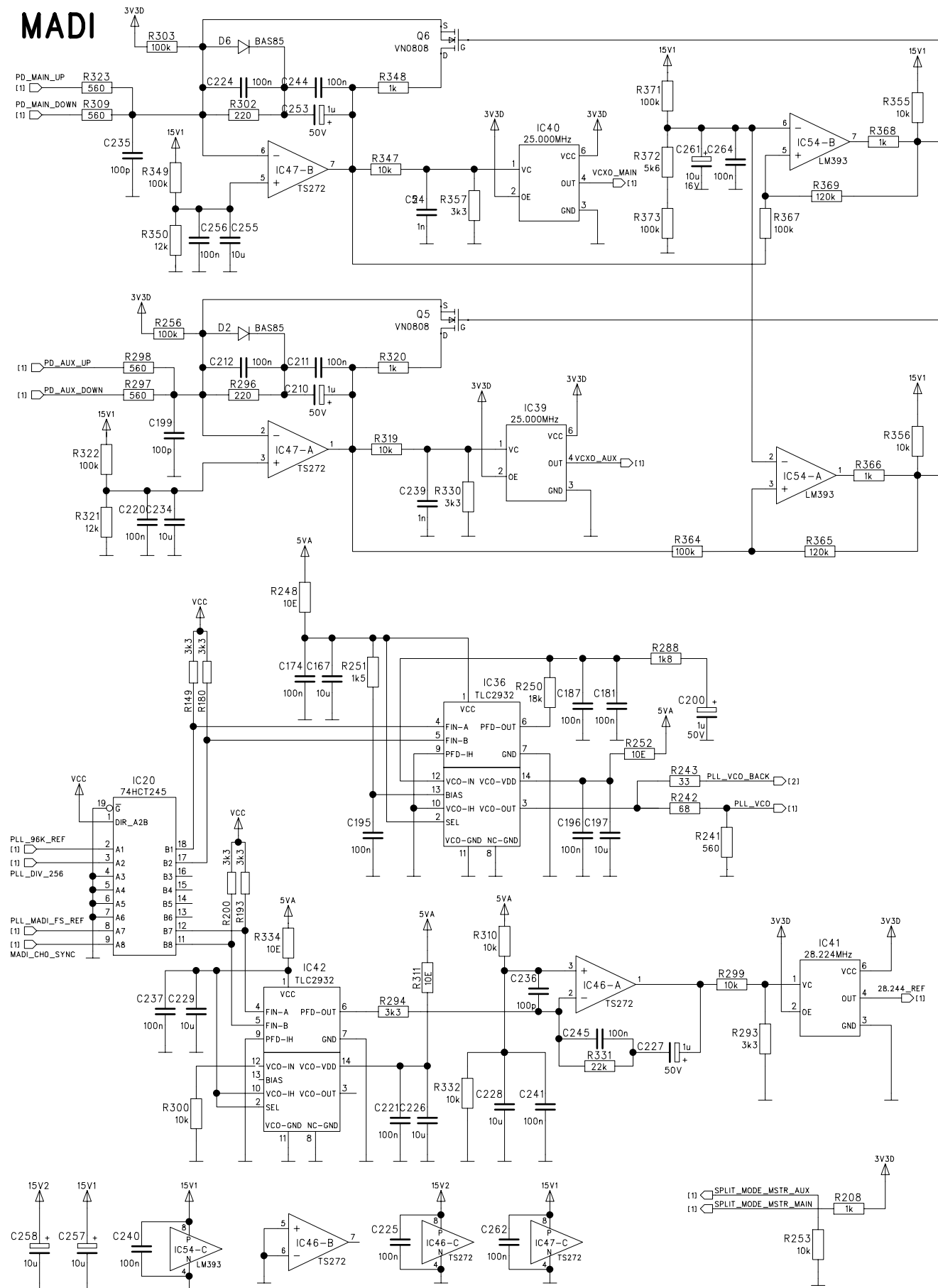
Monitoring Audio PCB 1.949.815.20 (0)

MADI



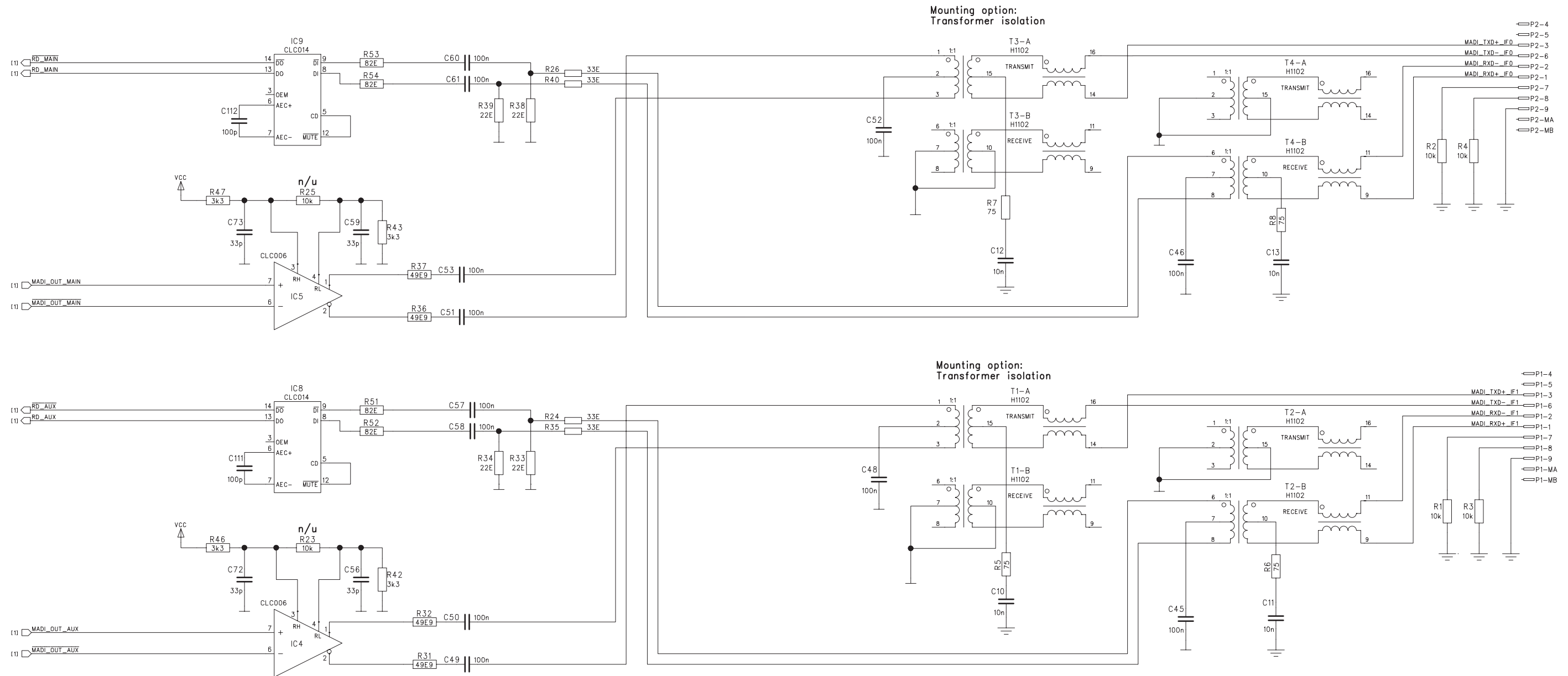
Monitoring Audio PCB 1.949.815.20 (0)

MADI

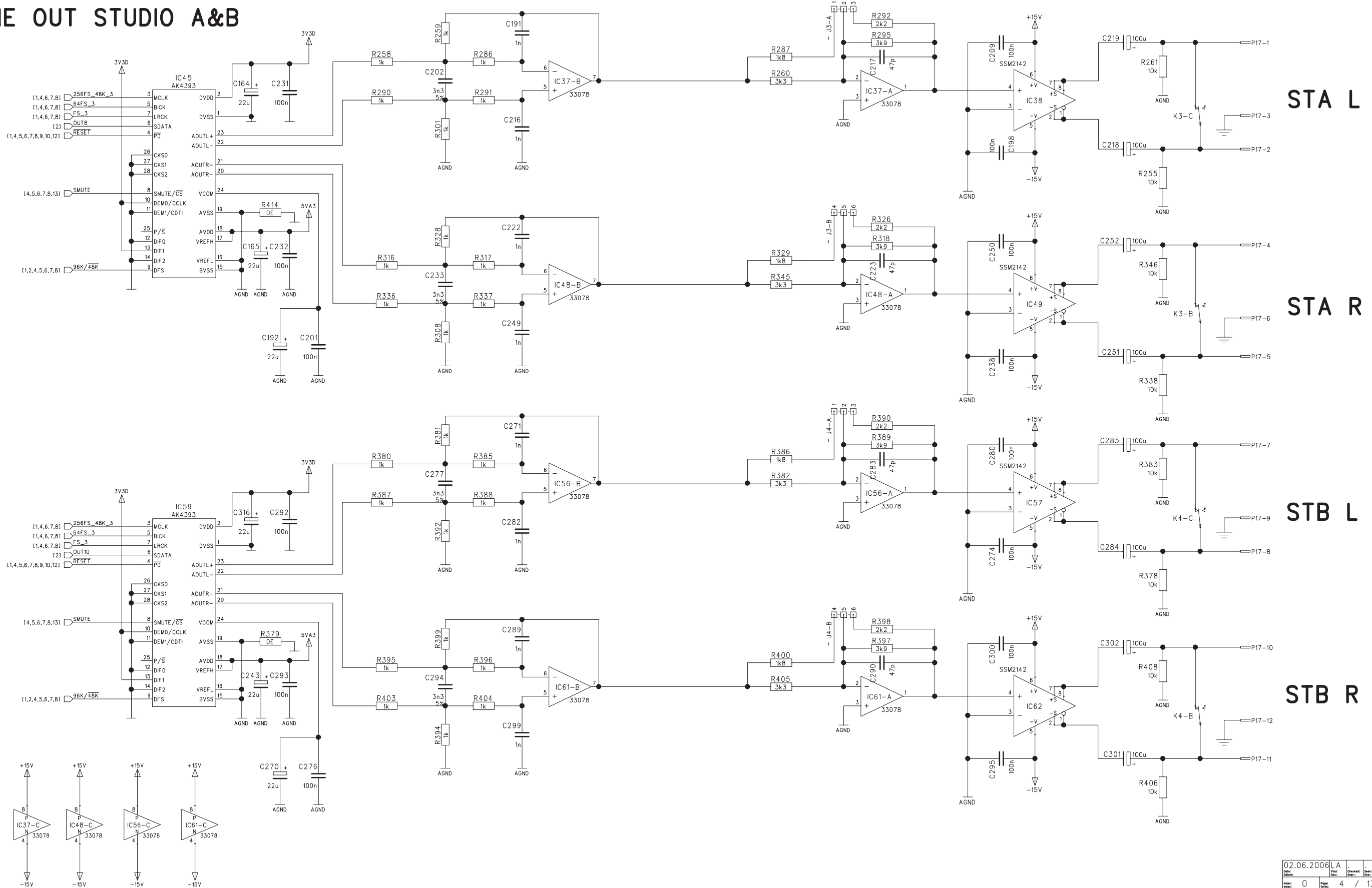


02.06.2006LA			
Issue	0	Page	2 / 13

MADI



LINE OUT STUDIO A&B



STA L

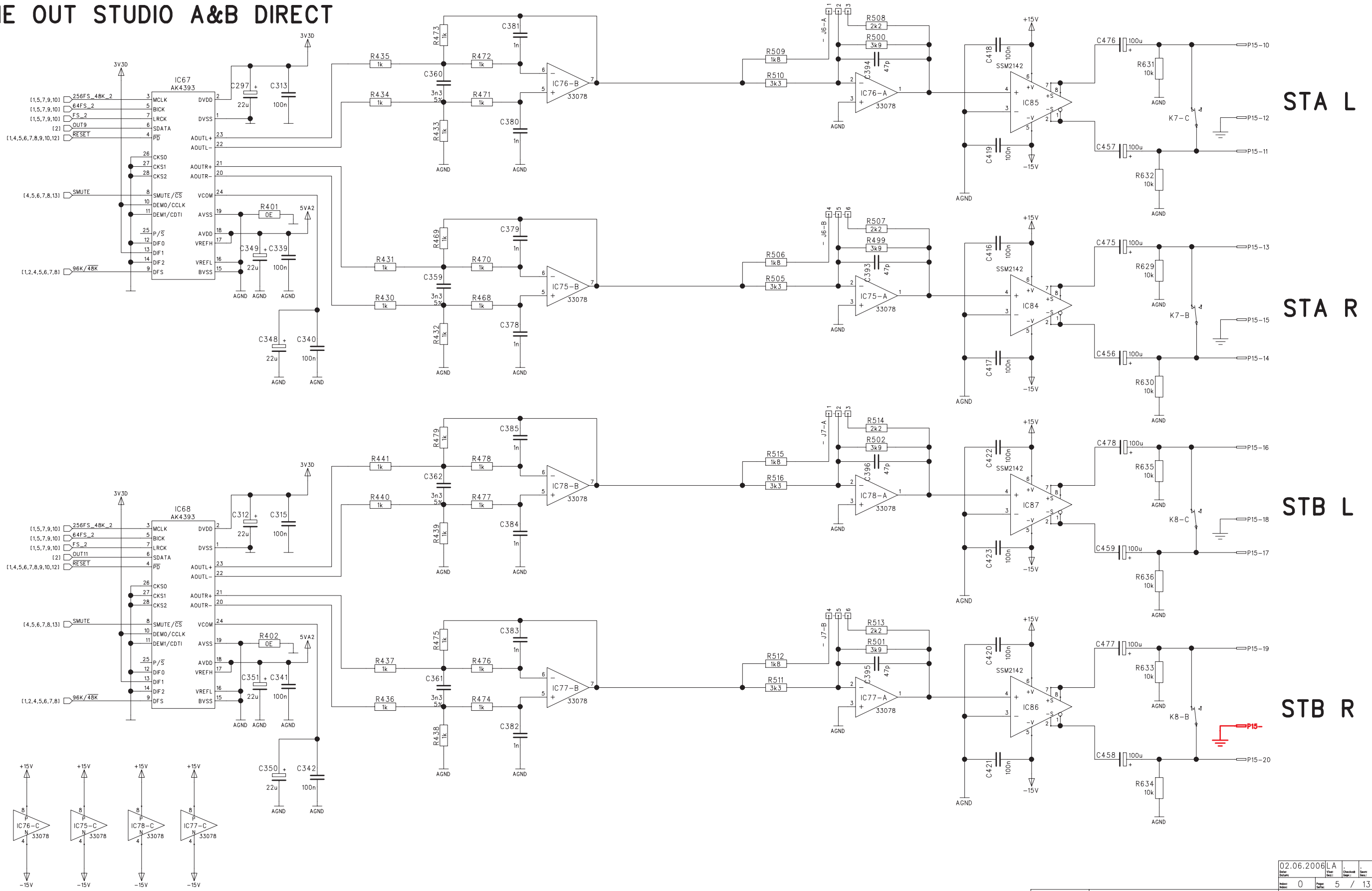
STA R

STB L

STB R

02.06.2006LA		. . .	
Issue	0	Page	4 / 13

LINE OUT STUDIO A&B DIRECT



STA L

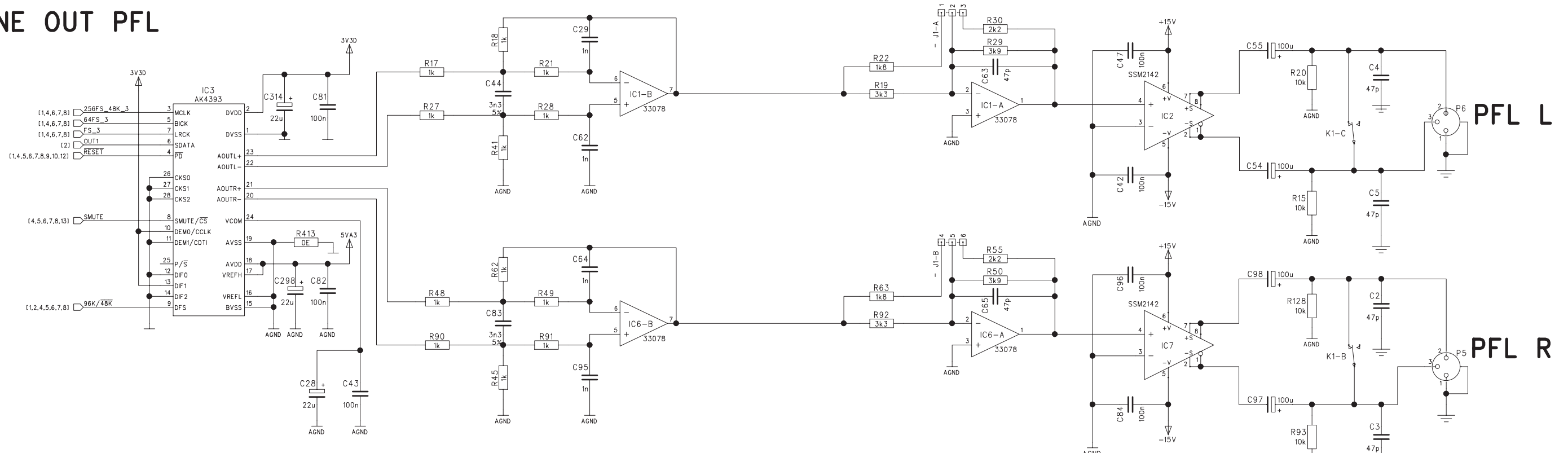
STA R

STB L

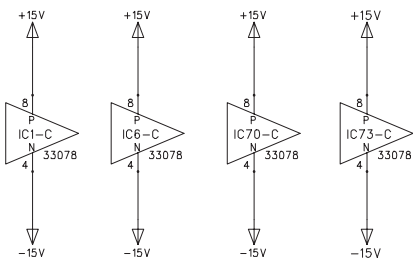
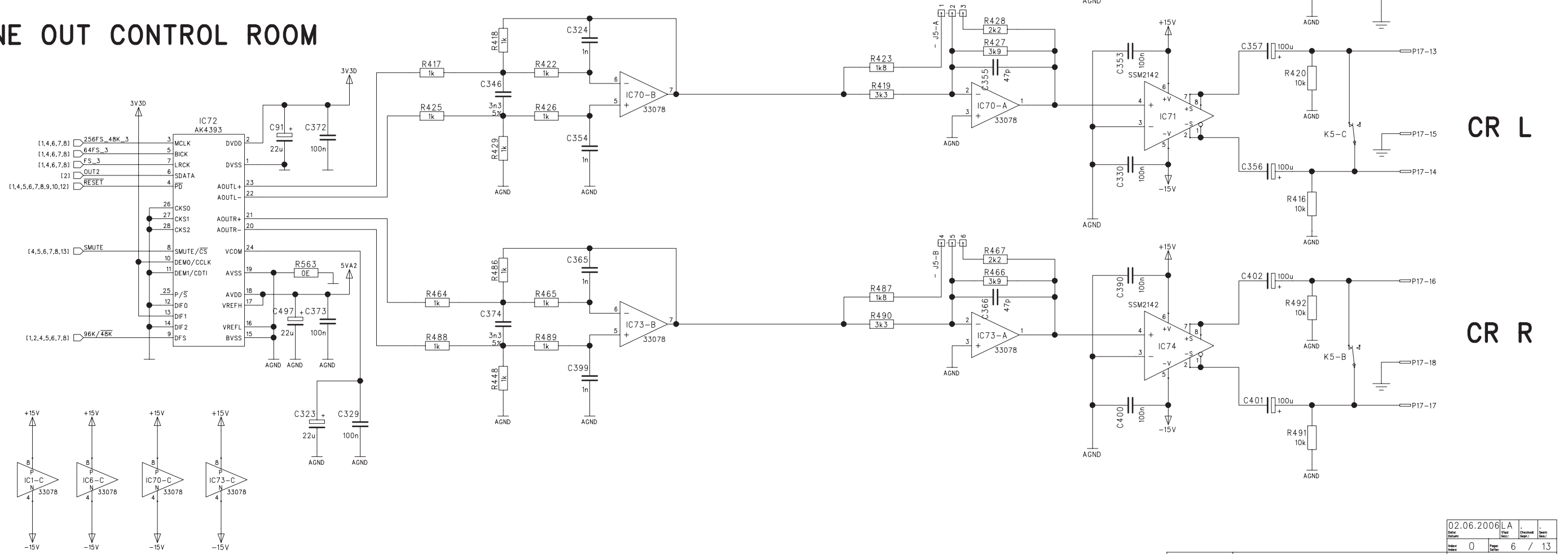
STB R

02.06.2006LA			
Date:	0	Page:	5 / 13
Order:		Sheet:	
Rev:		Scale:	

LINE OUT PFL

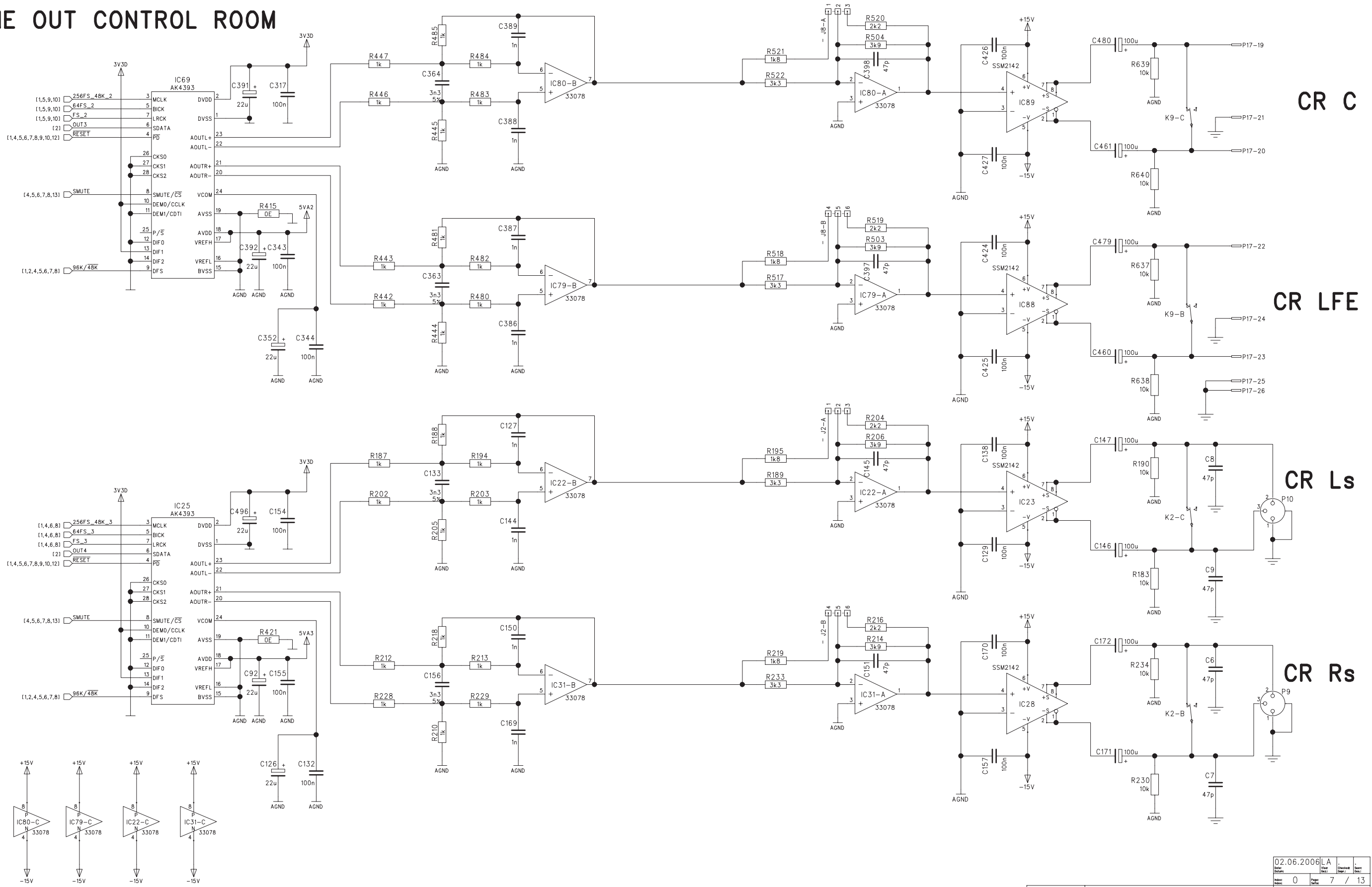


LINE OUT CONTROL ROOM



02.06.2006LA	.	.
Index	0	6 / 13
Date	0	6 / 13

LINE OUT CONTROL ROOM



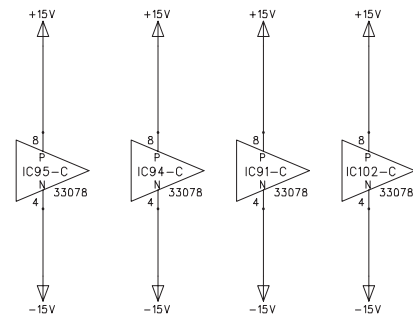
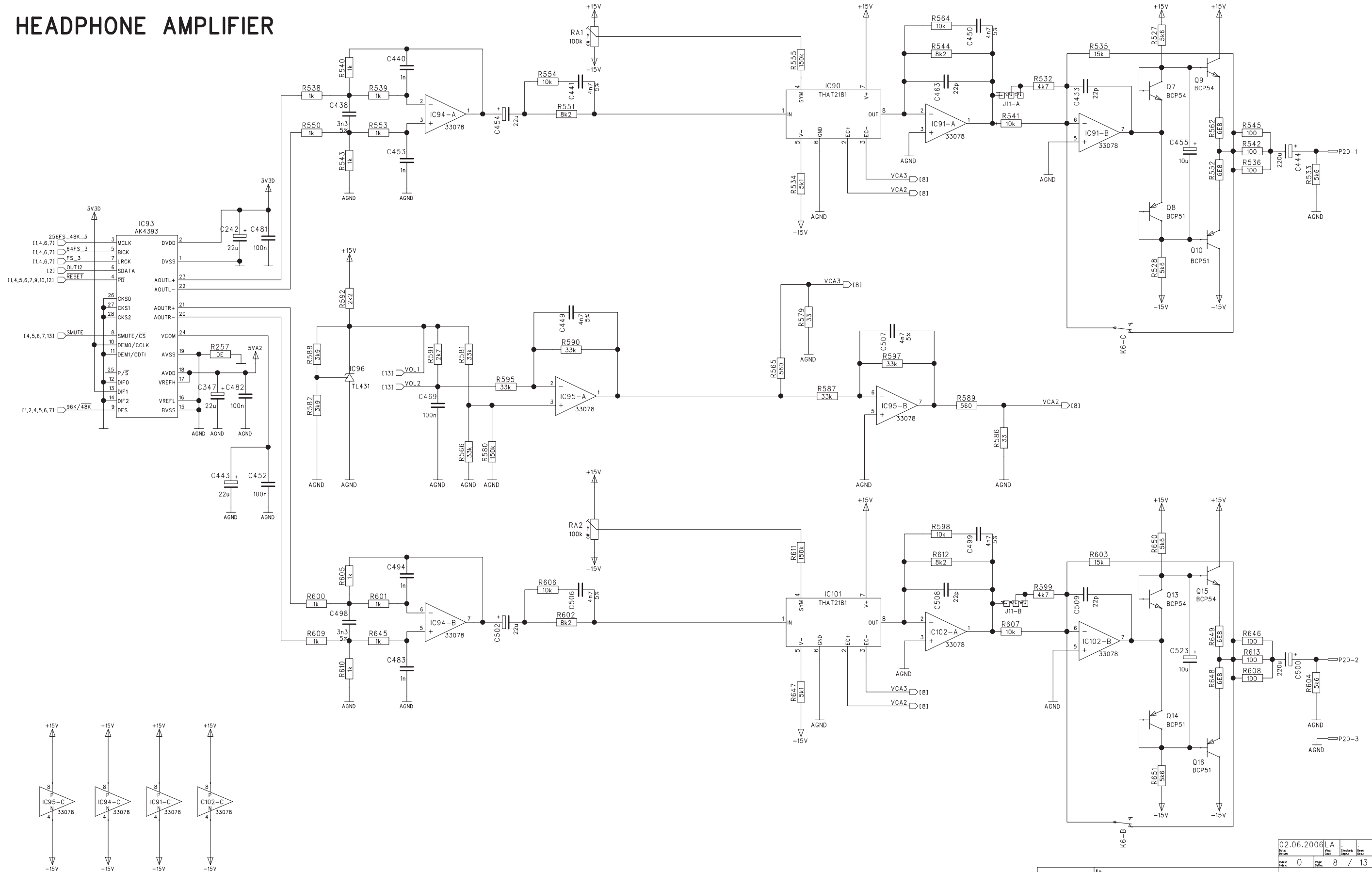
CR C

CR LFE

CR Ls

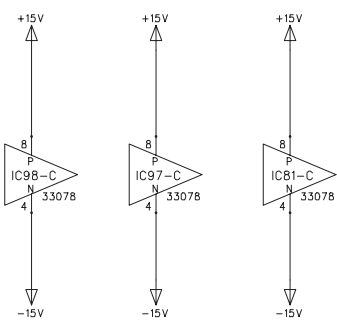
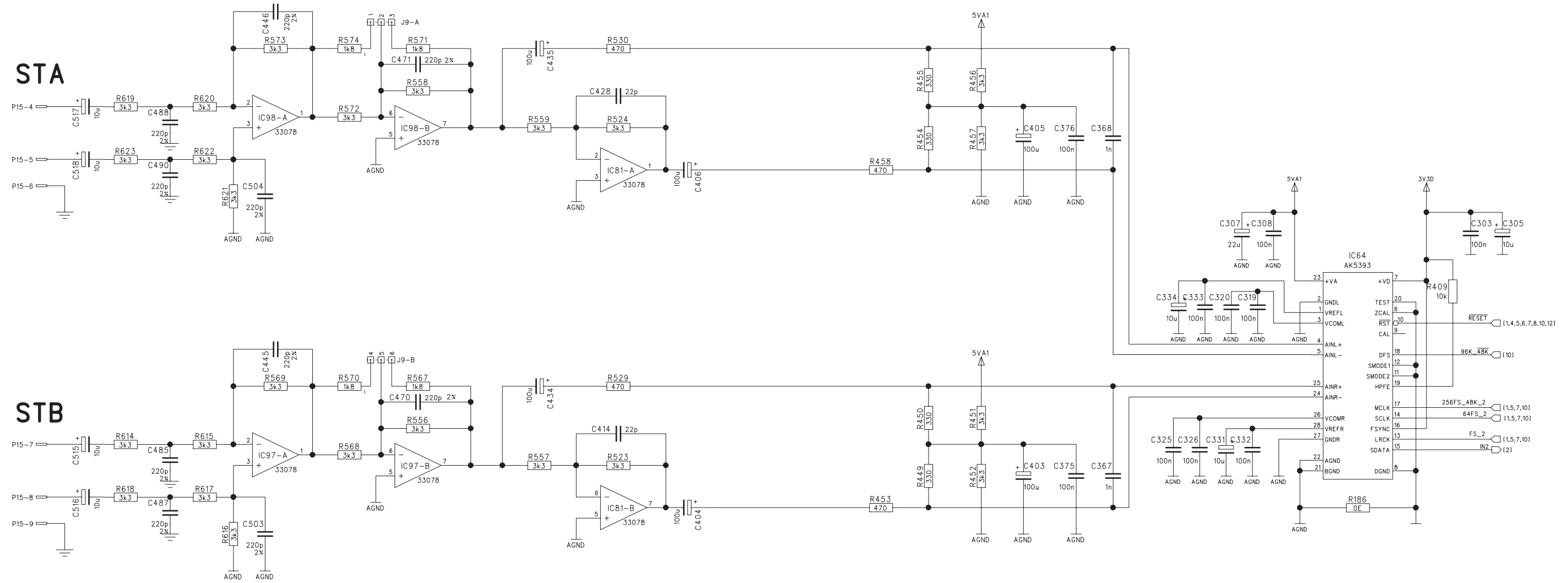
CR Rs

HEADPHONE AMPLIFIER

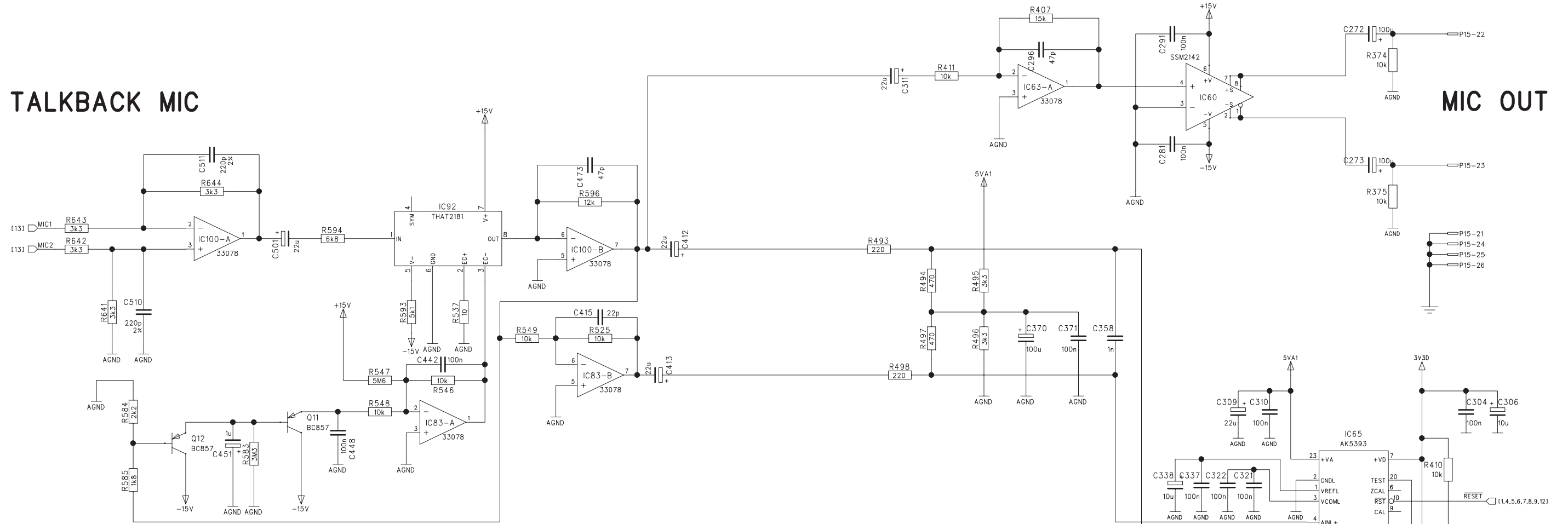


02.06.2006LA	.	.
Index	0	8 / 13
Page	8	13
Date	23.10.07	

LINE IN TALKBACK

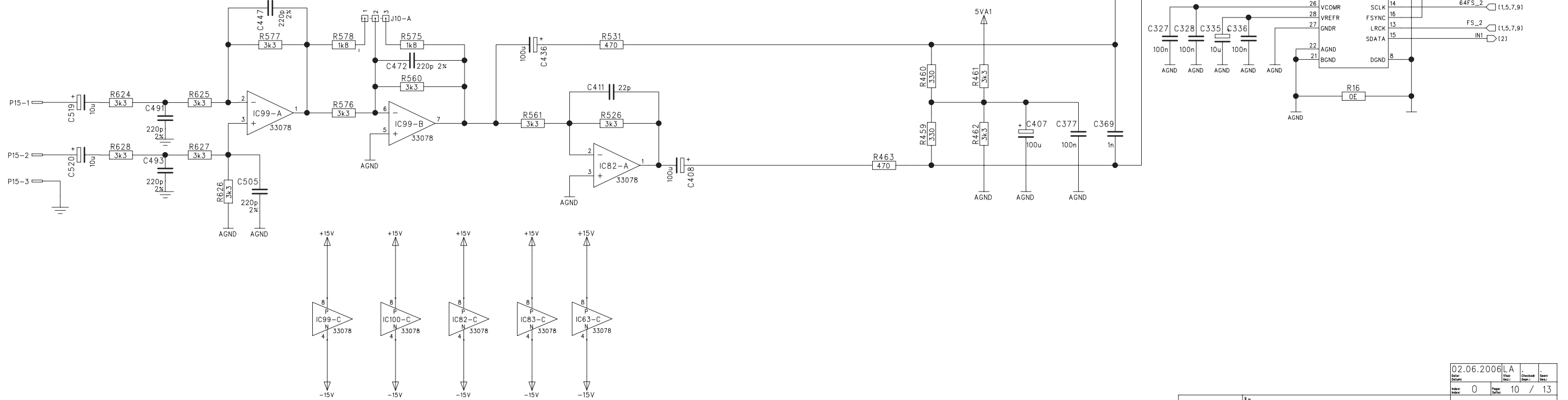


TALKBACK MIC



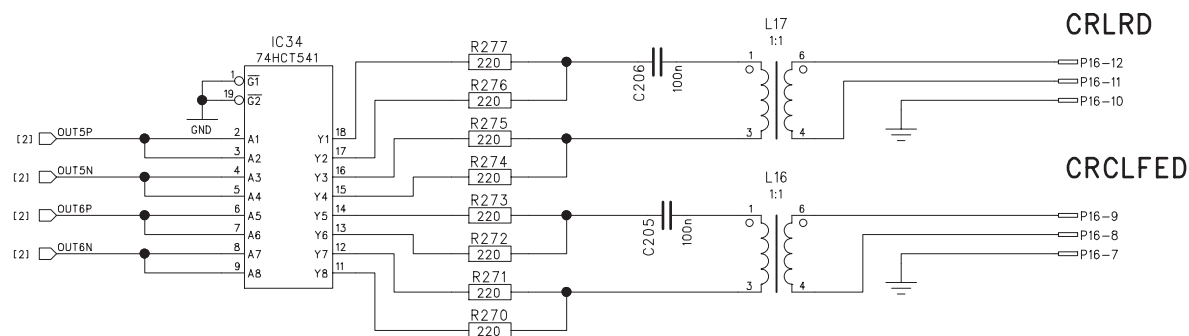
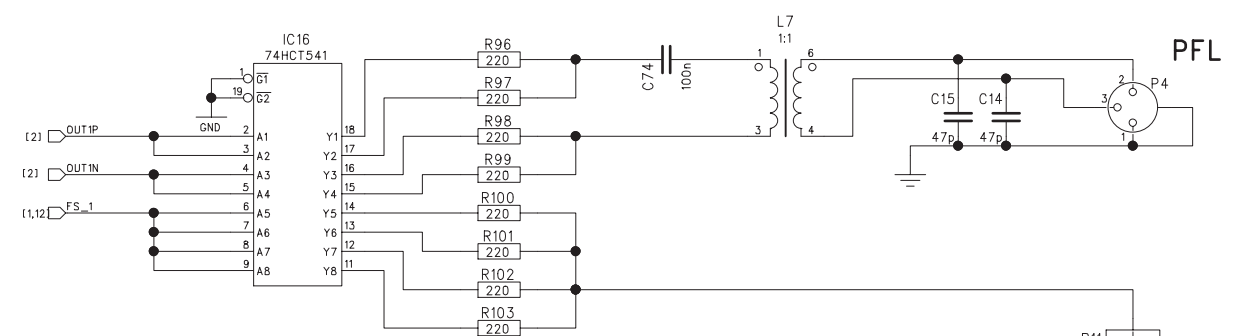
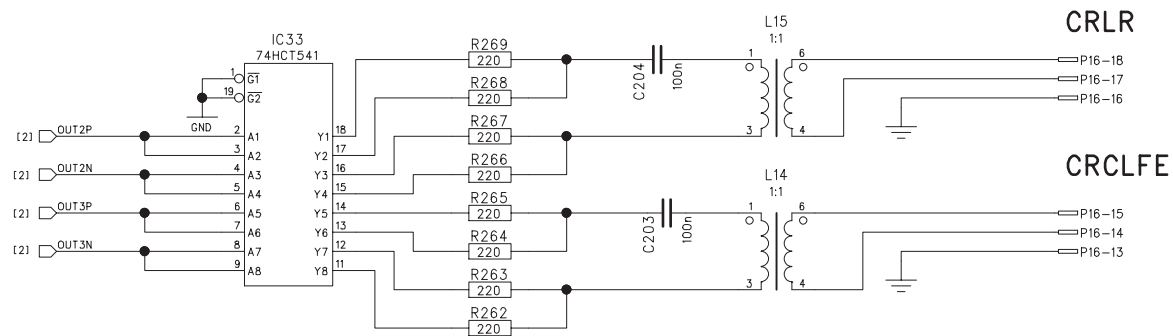
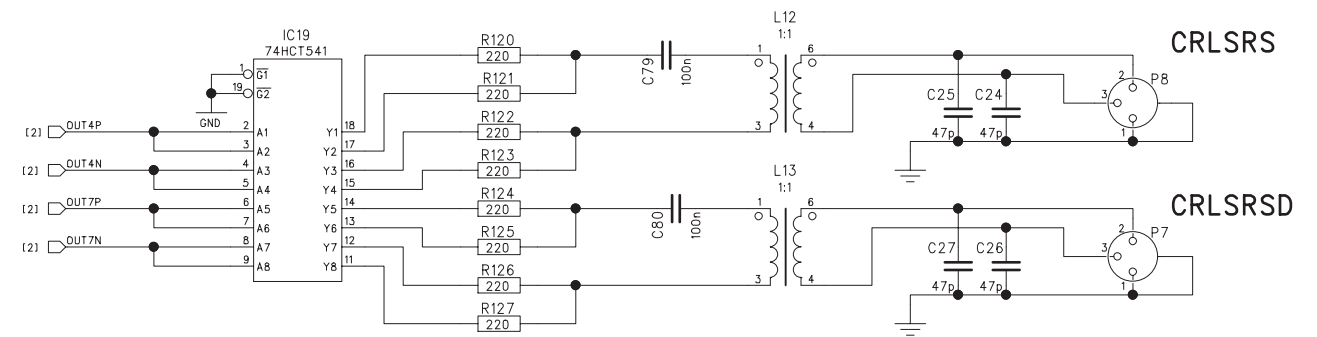
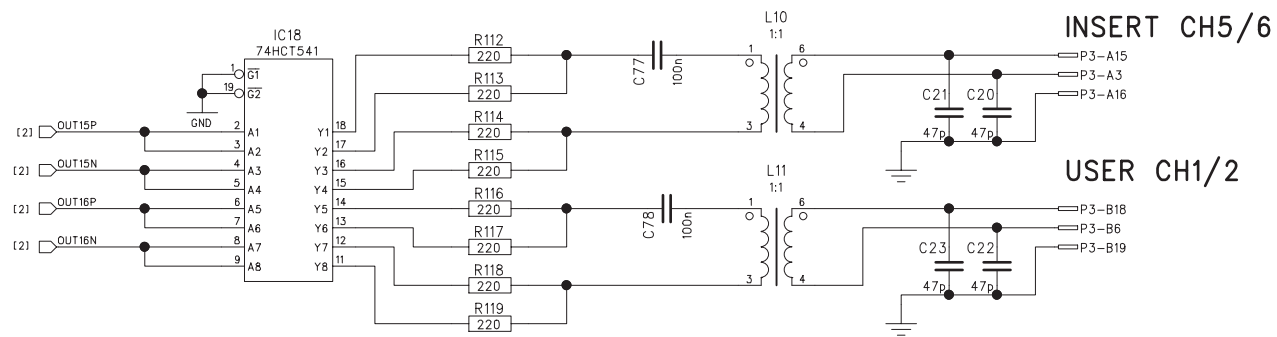
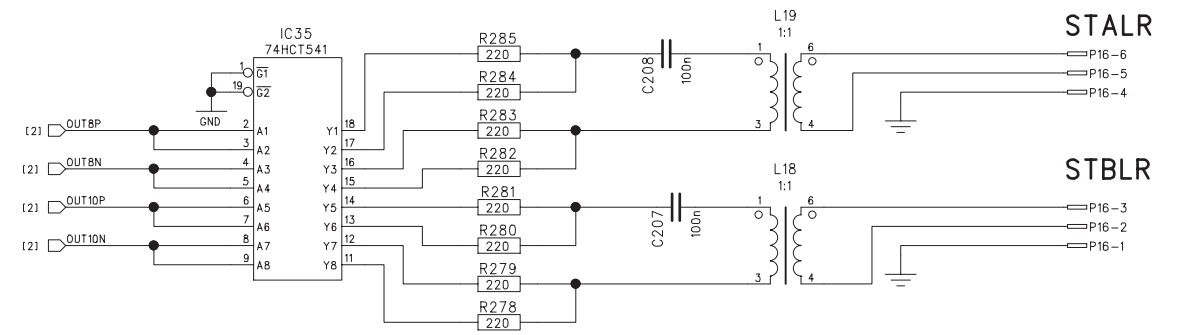
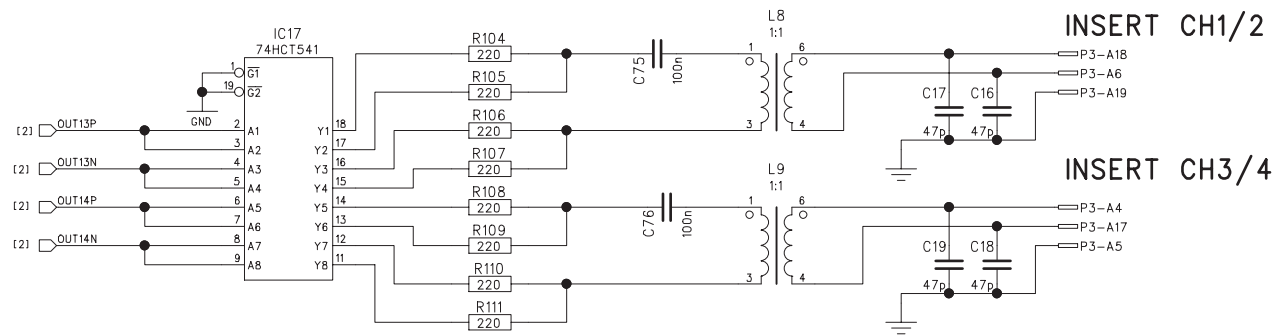
MIC OUT

TALKBACK PROD



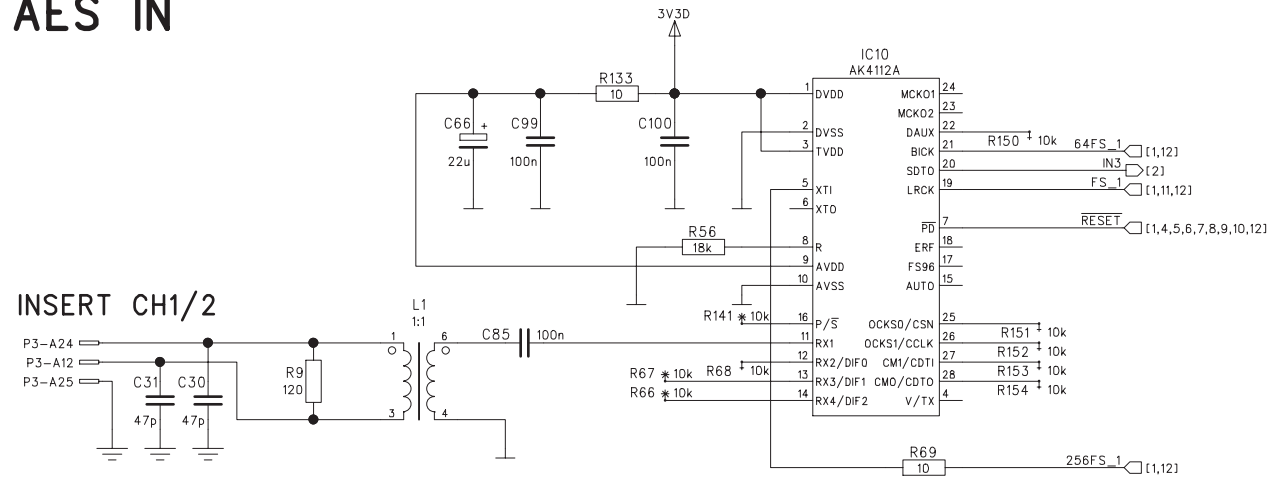
02.06.2006LA	.	.
Index	0	Page
Issue	10	13

AES OUT

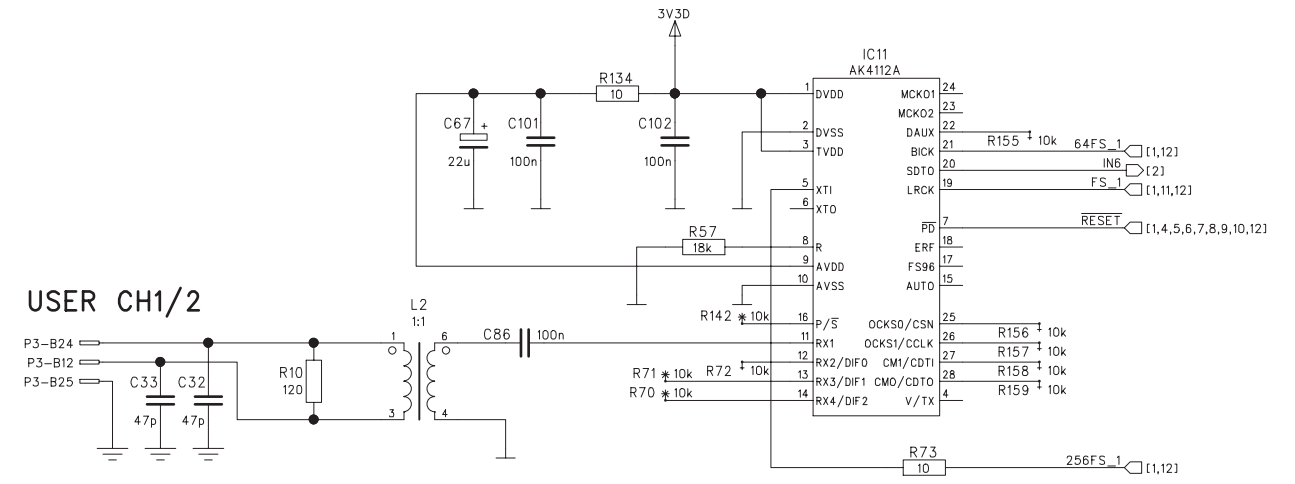
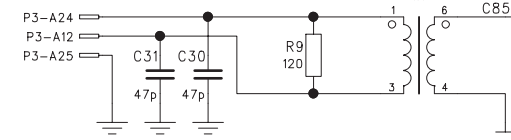


Monitoring Audio PCB 1.949.815.20 (0)

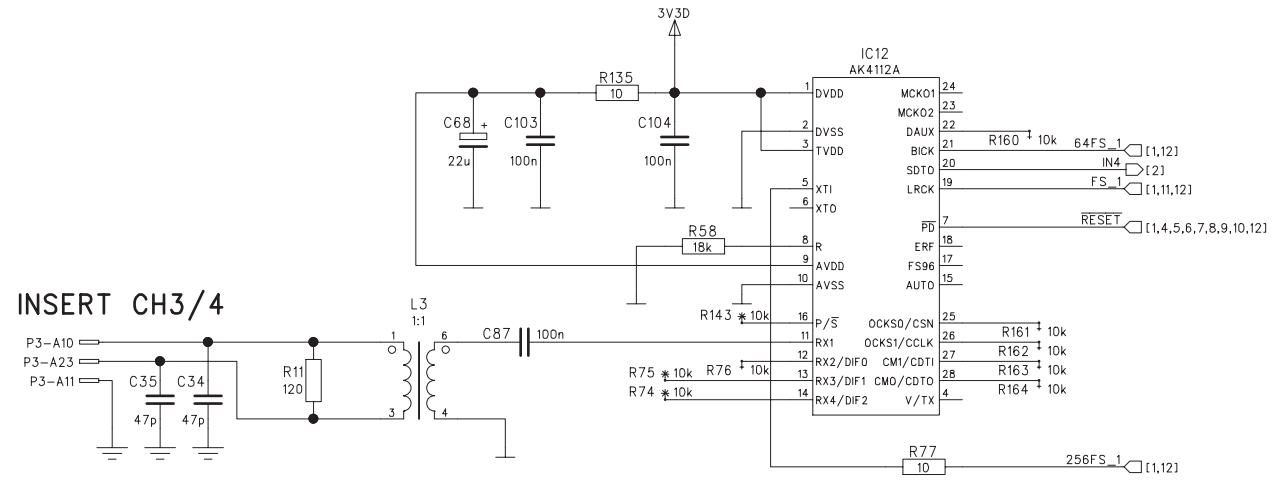
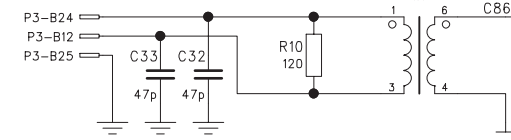
AES IN



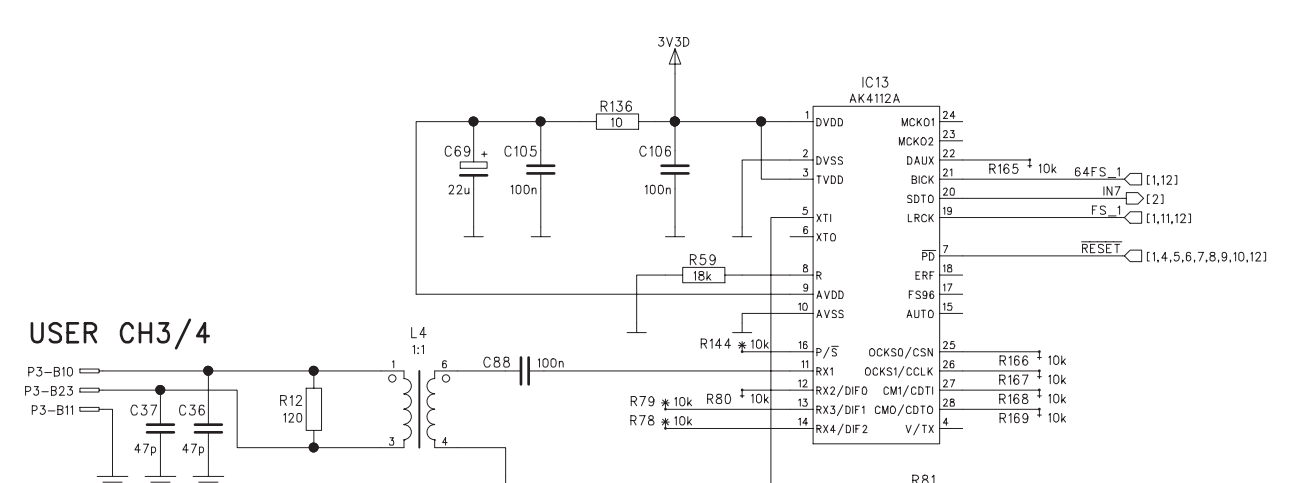
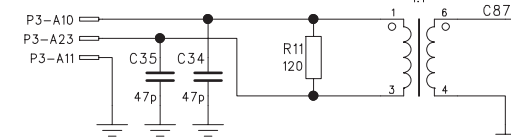
INSERT CH1/2



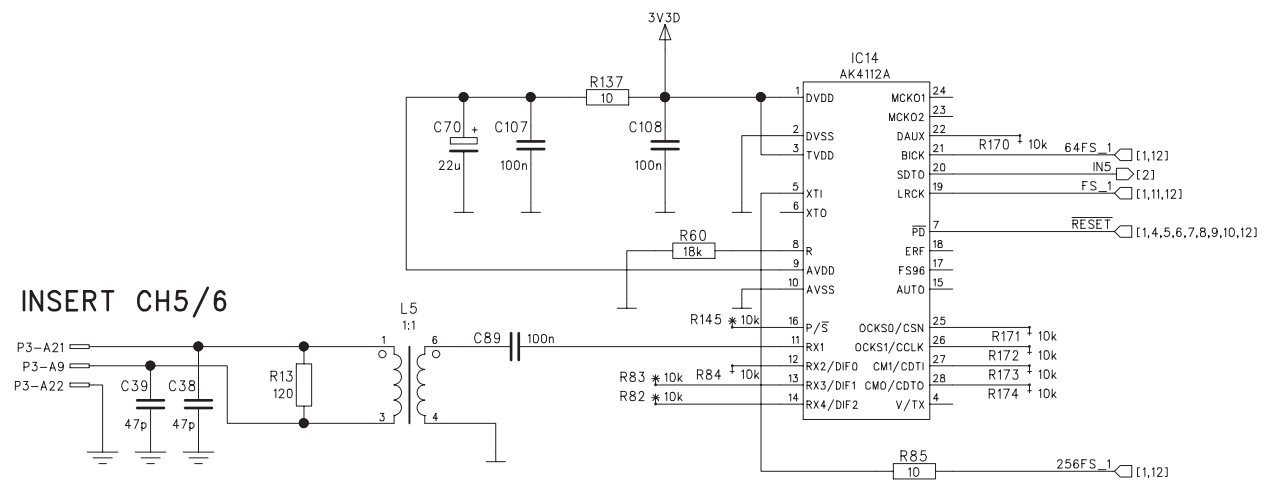
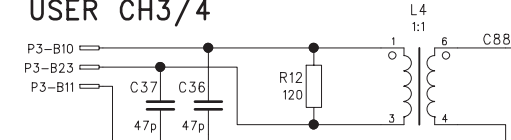
USER CH1/2



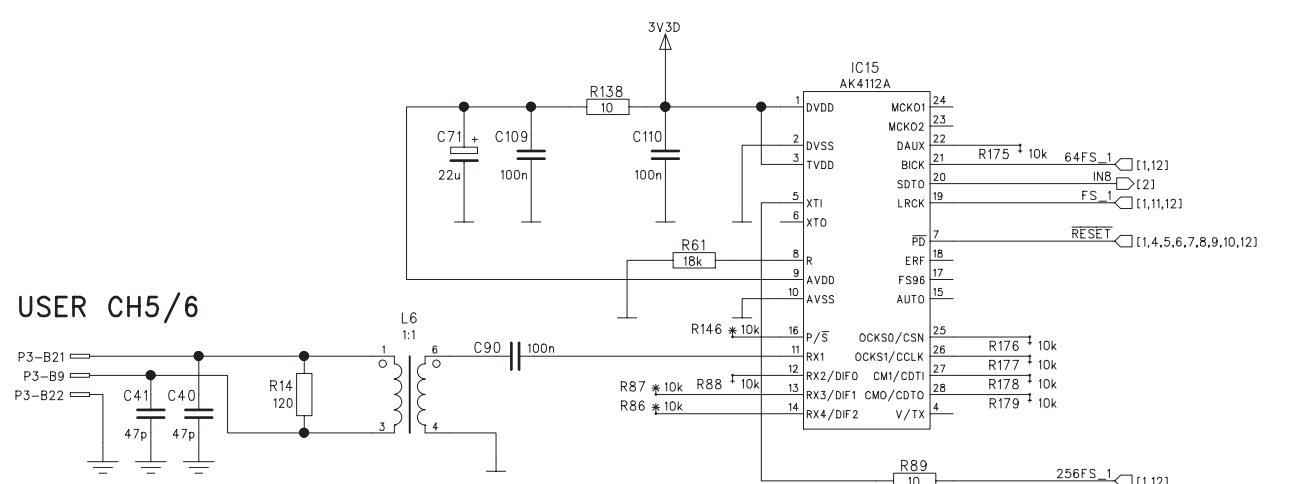
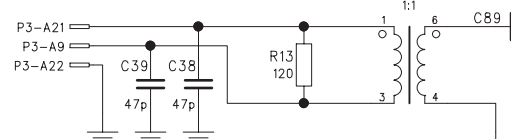
INSERT CH3/4



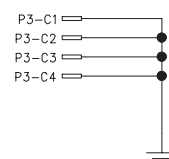
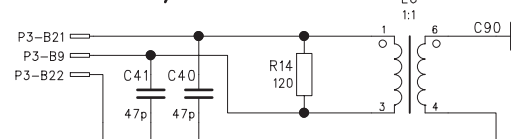
USER CH3/4



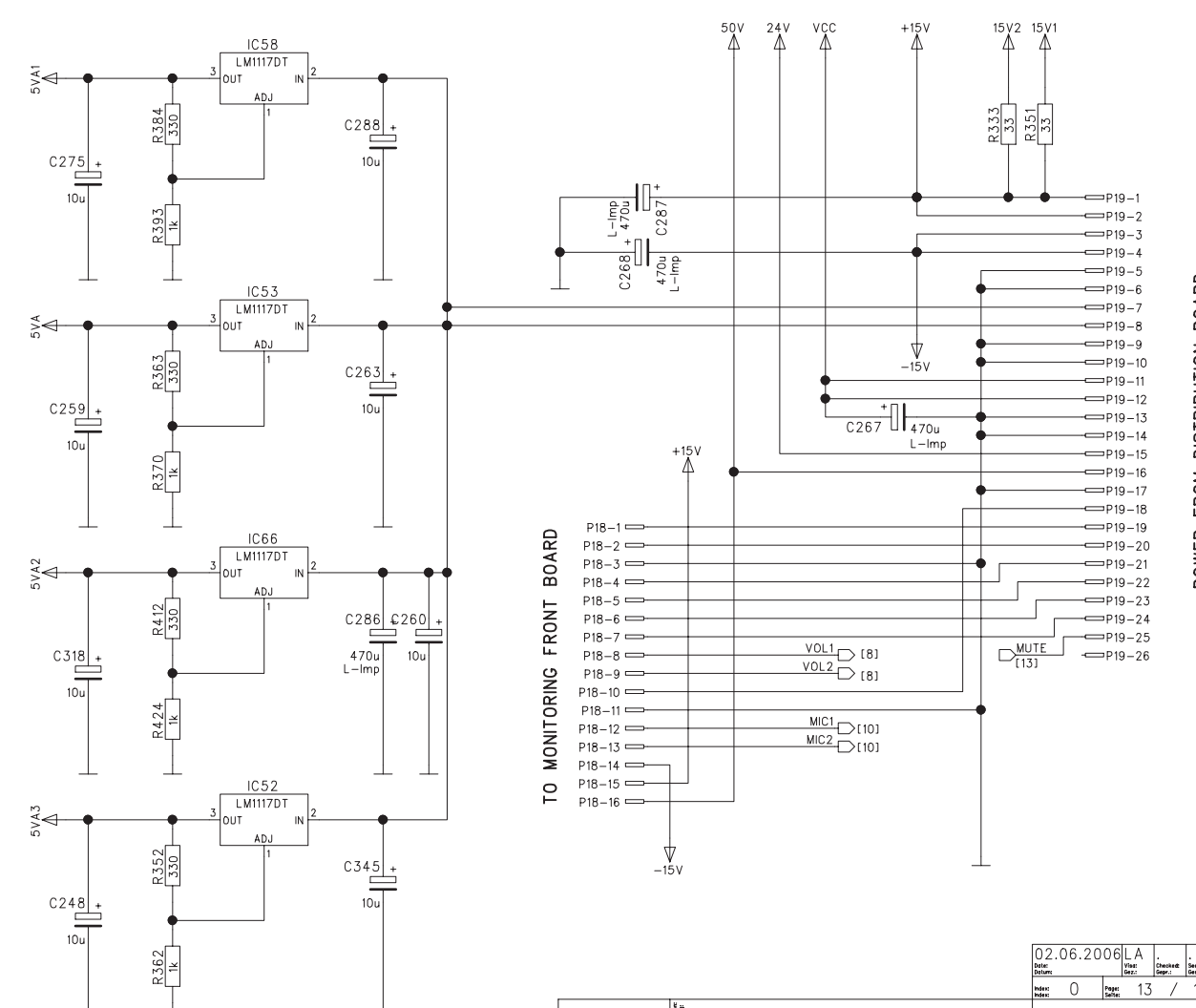
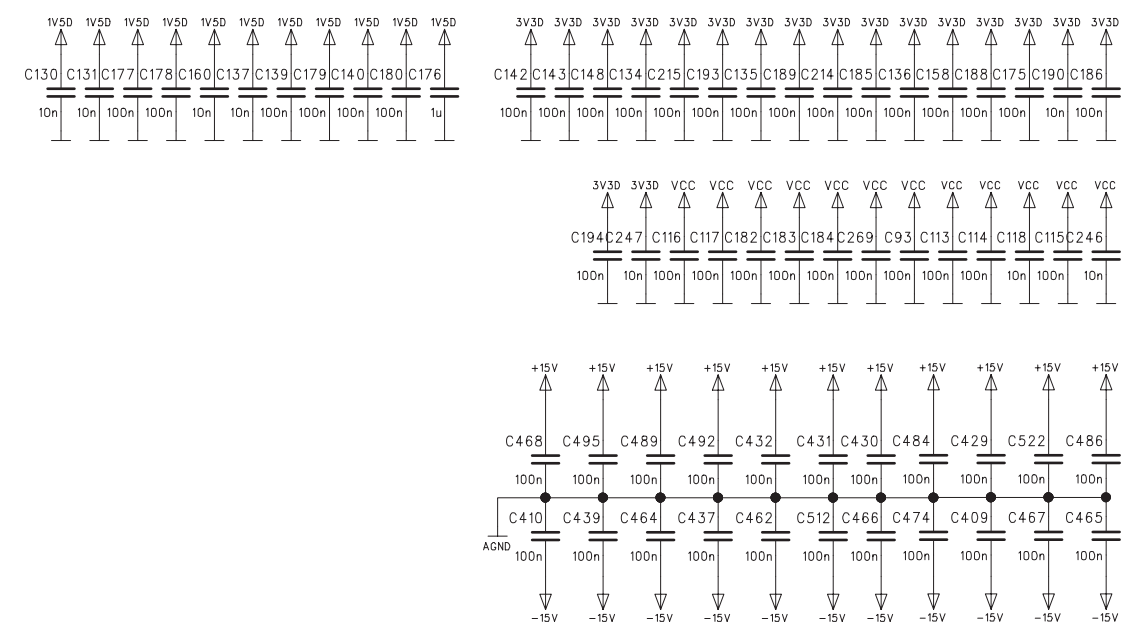
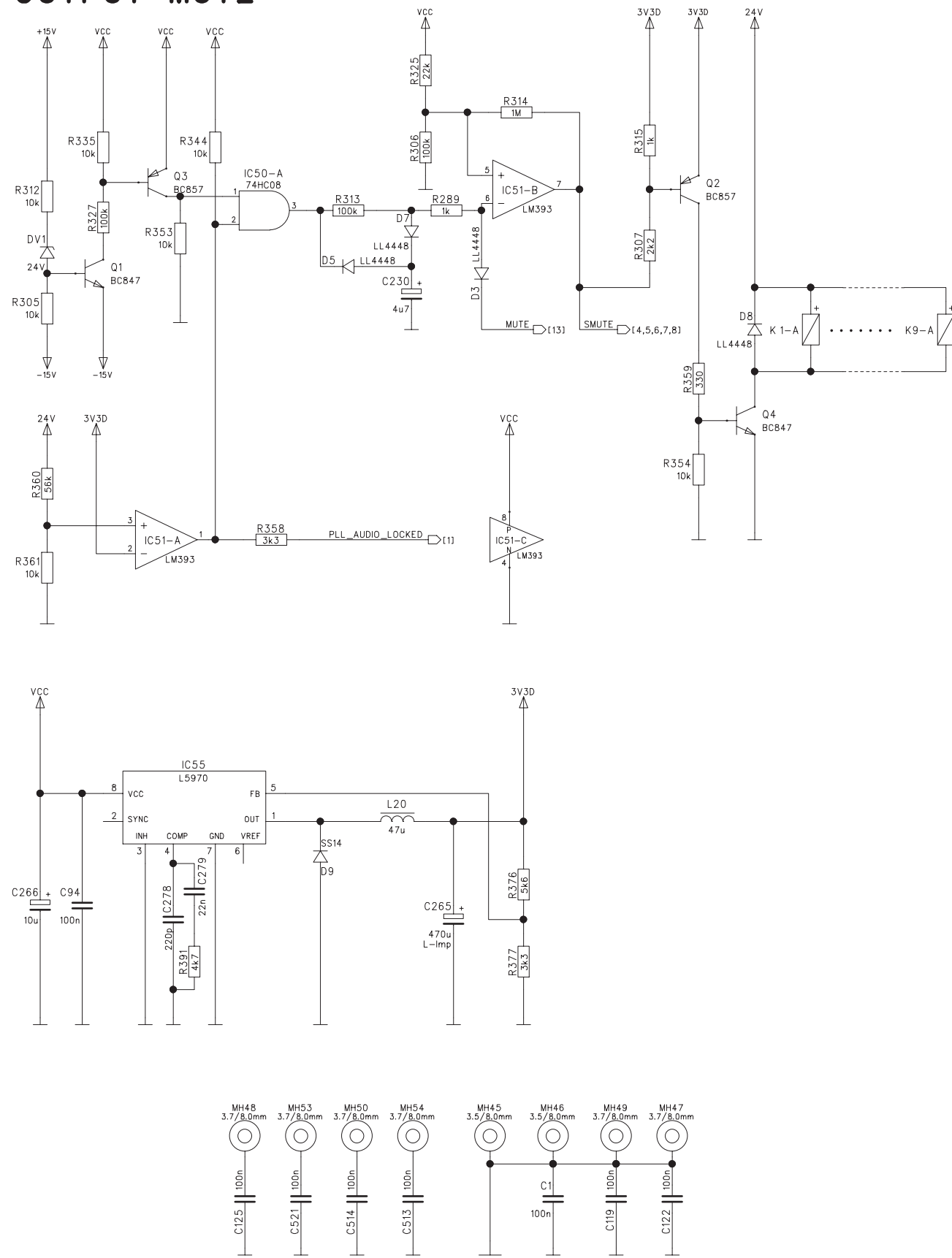
INSERT CH5/6



USER CH5/6

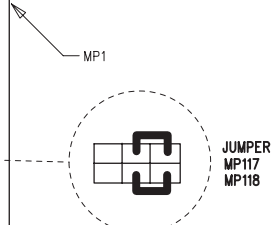
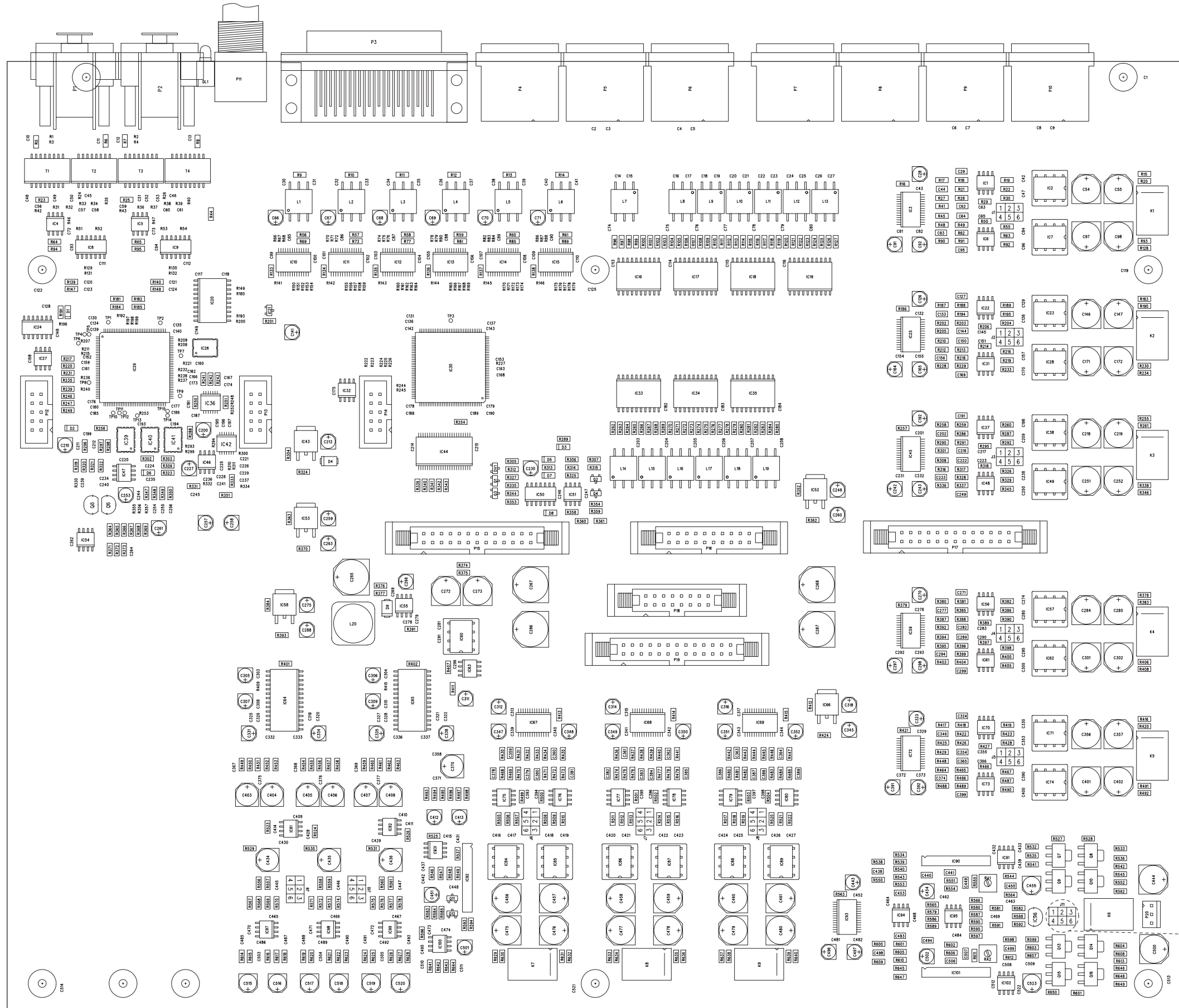


OUTPUT MUTE



02.06.2006LA		Rev:	Drawn:	Spec:
Date:	0	Page:	13 / 13	
Issue:		Page:		

Monitoring Audio PCB 1.949.815.20 (0)



02.06.2006	LA	SW	GP
0	1	1	1

Monitoring Audio PCB 1.949.815.20 (1)

Idx. Pos.	Part No.	Qty.	Type/Val.	Description	Idx. Pos.	Part No.	Qty.	Type/Val.	Description
0 C 412	59.68.0025	1 pce	22u	EL 6V, 4.0*5.7	0 C 515	59.68.0109	1 pce	10u	EL 35V, 5.0*5.7
0 C 413	59.68.0025	1 pce	22u	EL 6V, 4.0*5.7	0 C 516	59.68.0109	1 pce	10u	EL 35V, 5.0*5.7
0 C 414	59.60.2233	1 pce	22p	CER 50V, 5%, COG, 0603	0 C 517	59.68.0109	1 pce	10u	EL 35V, 5.0*5.7
0 C 415	59.60.2233	1 pce	22p	CER 50V, 5%, COG, 0603	0 C 518	59.68.0109	1 pce	10u	EL 35V, 5.0*5.7
0 C 416	59.60.3337	1 pce	100n	CER 50V, 10%, X7R, 0805	0 C 519	59.68.0109	1 pce	10u	EL 35V, 5.0*5.7
0 C 417	59.60.3337	1 pce	100n	CER 50V, 10%, X7R, 0805	0 C 520	59.68.0109	1 pce	10u	EL 35V, 5.0*5.7
0 C 418	59.60.3337	1 pce	100n	CER 50V, 10%, X7R, 0805	0 C 521	59.60.3337	1 pce	100n	CER 50V, 10%, X7R, 0805
0 C 419	59.60.3337	1 pce	100n	CER 50V, 10%, X7R, 0805	0 C 522	59.60.3337	1 pce	100n	CER 50V, 10%, X7R, 0805
0 C 420	59.60.3337	1 pce	100n	CER 50V, 10%, X7R, 0805	0 C 523	59.68.0109	1 pce	10u	EL 35V, 5.0*5.7
0 C 421	59.60.3337	1 pce	100n	CER 50V, 10%, X7R, 0805	0 D 1	50.60.8001	1 pce	4448	200mA 75V 4ns SOD 80
0 C 422	59.60.3337	1 pce	100n	CER 50V, 10%, X7R, 0805	0 D 2	50.60.8101	1 pce	BAS85	200mA 30V Schottky SOD 80
0 C 423	59.60.3337	1 pce	100n	CER 50V, 10%, X7R, 0805	0 D 3	50.60.8001	1 pce	4448	200mA 75V 4ns SOD 80
0 C 424	59.60.3337	1 pce	100n	CER 50V, 10%, X7R, 0805	0 D 4	50.60.8003	1 pce	S1B	1000mA 100V DO 214AC
0 C 425	59.60.3337	1 pce	100n	CER 50V, 10%, X7R, 0805	0 D 5	50.60.8001	1 pce	4448	200mA 75V 4ns SOD 80
0 C 426	59.60.3337	1 pce	100n	CER 50V, 10%, X7R, 0805	0 D 6	50.60.8101	1 pce	BAS85	200mA 30V Schottky SOD 80
0 C 427	59.60.3337	1 pce	100n	CER 50V, 10%, X7R, 0805	0 D 7	50.60.8001	1 pce	4448	200mA 75V 4ns SOD 80
0 C 428	59.60.2233	1 pce	22p	CER 50V, 5%, COG, 0603	0 D 8	50.60.8001	1 pce	4448	200mA 75V 4ns SOD 80
0 C 429	59.60.3337	1 pce	100n	CER 50V, 10%, X7R, 0805	0 D 9	50.60.8103	1 pce	SS14	1A 40V Schottky
0 C 430	59.60.3337	1 pce	100n	CER 50V, 10%, X7R, 0805	0 DL 1	50.04.2751	1 pce	gm	LED mit Halter
0 C 431	59.60.3337	1 pce	100n	CER 50V, 10%, X7R, 0805	0 DV 1	50.60.9026	1 pce	24V	5%, 0.2W, SOT 23
0 C 432	59.60.3337	1 pce	100n	CER 50V, 10%, X7R, 0805	0 IC 1	50.61.0204	1 pce	MC33078	Dual Op-Amp low noise
0 C 433	59.60.2233	1 pce	22p	CER 50V, 5%, COG, 0603	0 IC 2	50.09.0124	1 pce	DRV134	Audio balanced line driver
0 C 434	59.68.0029	1 pce	100u	EL 6V, 6.3*5.7	0 IC 3	50.61.8005	1 pce	AK4393	D/A Converter 24bit DS SOP28
0 C 435	59.68.0029	1 pce	100u	EL 6V, 6.3*5.7	0 IC 4	not used	pce	CLC006	Cable Driver
0 C 436	59.68.0029	1 pce	100u	EL 6V, 6.3*5.7	0 IC 5	50.62.0471	1 pce	CLC006	Cable Driver
0 C 437	59.60.3337	1 pce	100n	CER 50V, 10%, X7R, 0805	0 IC 6	50.61.0204	1 pce	MC33078	Dual Op-Amp low noise
0 C 438	59.63.0107	1 pce	3n3	PEN 50V, 5%, 1206	0 IC 7	50.09.0124	1 pce	DRV134	Audio balanced line driver
0 C 439	59.60.3337	1 pce	100n	CER 50V, 10%, X7R, 0805	0 IC 8	not used	pce	CLC014	Adaptive Cable Equalizer/Recei
0 C 440	59.63.0101	1 pce	1n0	PEN 50V, 5%, 1206	0 IC 9	50.62.0470	1 pce	CLC014	Adaptive Cable Equalizer/Recei
0 C 441	59.63.0109	1 pce	4n7	PEN 50V, 5%, 1206	0 IC 10	50.62.0917	1 pce	AK4112B	AES/EBU Receiver
0 C 442	59.60.3337	1 pce	100n	CER 50V, 10%, X7R, 0805	0 IC 11	50.62.0917	1 pce	AK4112B	AES/EBU Receiver
0 C 443	59.68.0025	1 pce	22u	EL 6V, 4.0*5.7	0 IC 12	50.62.0917	1 pce	AK4112B	AES/EBU Receiver
0 C 444	59.68.0031	1 pce	22u	EL 6V, 8.0*6.3	0 IC 13	50.62.0917	1 pce	AK4112B	AES/EBU Receiver
0 C 445	59.63.1105	1 pce	220p	PPS 50V, 2%, 0805	0 IC 14	50.62.0917	1 pce	AK4112B	AES/EBU Receiver
0 C 446	59.63.1105	1 pce	220p	PPS 50V, 2%, 0805	0 IC 15	50.62.0917	1 pce	AK4112B	AES/EBU Receiver
0 C 447	59.63.1105	1 pce	220p	PPS 50V, 2%, 0805	0 IC 16	50.62.3541	1 pce	74HCT541	Octal buffer/line driver tri
0 C 448	59.60.3337	1 pce	100n	CER 50V, 10%, X7R, 0805	0 IC 17	50.62.3541	1 pce	74HCT541	Octal buffer/line driver tri
0 C 449	59.63.0109	1 pce	4n7	PEN 50V, 5%, 1206	0 IC 18	50.62.3541	1 pce	74HCT541	Octal buffer/line driver tri
0 C 450	59.63.0109	1 pce	4n7	PEN 50V, 5%, 1206	0 IC 19	50.62.3541	1 pce	74HCT541	Octal buffer/line driver tri
0 C 451	59.68.0127	1 pce	1u0	EL 50V, 4.0*5.7	0 IC 20	50.62.3245	1 pce	74HCT245	Octal bus transceiver
0 C 452	59.60.3337	1 pce	100n	CER 50V, 10%, X7R, 0805	0 IC 21	50.63.2002	1 pce	MAX6358	Dual volt. uP supervisor
0 C 453	59.63.0101	1 pce	1n0	PEN 50V, 5%, 1206	0 IC 22	50.61.0204	1 pce	MC33078	Dual Op-Amp low noise
0 C 454	59.68.0025	1 pce	22u	EL 6V, 4.0*5.7	0 IC 23	50.09.0124	1 pce	DRV134	Audio balanced line driver
0 C 455	59.68.0109	1 pce	10u	EL 35V, 5.0*5.7	0 IC 24	50.62.1014	1 pce	74HC 14	Hex Schmitt trigger inverter
0 C 456	59.68.0115	1 pce	100u	EL 35V, 8.0*10.7	0 IC 25	50.61.8005	1 pce	AK4393	D/A Converter 24bit DS SOP28
0 C 457	59.68.0115	1 pce	100u	EL 35V, 8.0*10.7	0 IC 26	89.60.2005	1 pce	125MHz	Xtal Oscillator 3.3V
0 C 458	59.68.0115	1 pce	100u	EL 35V, 8.0*10.7	0 IC 27	1.949.971.24	1 pce	EPCS1	SW411/13/30/31 Medusa (EPCS1)
0 C 459	59.68.0115	1 pce	100u	EL 35V, 8.0*10.7	0 IC 28	50.09.0124	1 pce	DRV134	Audio balanced line driver
0 C 460	59.68.0115	1 pce	100u	EL 35V, 8.0*10.7	0 IC 29	50.63.4216	1 pce	EP1C6T	FPGA 6000 logic elements
0 C 461	59.68.0115	1 pce	100u	EL 35V, 8.0*10.7	0 IC 30	50.63.4217	1 pce	EP1C3T	FPGA 2910 logic elements
0 C 462	59.60.3337	1 pce	100n	CER 50V, 10%, X7R, 0805	0 IC 31	50.61.0204	1 pce	MC33078	Dual Op-Amp low noise
0 C 463	59.60.2233	1 pce	22p	CER 50V, 5%, COG, 0603	1 IC 32	1.949.915.21	1 pce	EPCS1	SW 815 MONTA (50.63.4297)
0 C 464	59.60.3337	1 pce	100n	CER 50V, 10%, X7R, 0805	0 IC 33	50.62.3541	1 pce	74HCT541	Octal buffer/line driver tri
0 C 465	59.60.3337	1 pce	100n	CER 50V, 10%, X7R, 0805	0 IC 34	50.62.3541	1 pce	74HCT541	Octal buffer/line driver tri
0 C 466	59.60.3337	1 pce	100n	CER 50V, 10%, X7R, 0805	0 IC 35	50.62.3541	1 pce	74HCT541	Octal buffer/line driver tri
0 C 467	59.60.3337	1 pce	100n	CER 50V, 10%, X7R, 0805	0 IC 36	50.62.0260	1 pce	TLC 2932	Phase-locked Loop
0 C 468	59.60.3337	1 pce	100n	CER 50V, 10%, X7R, 0805	0 IC 37	50.61.0204	1 pce	MC33078	Dual Op-Amp low noise
0 C 469	59.60.3337	1 pce	100n	CER 50V, 10%, X7R, 0805	0 IC 38	50.09.0124	1 pce	DRV134	Audio balanced line driver
0 C 470	59.63.1105	1 pce	220p	PPS 50V, 2%, 0805	0 IC 39	89.60.2151	1 pce	25.0MHz	VXCOscillator 3.3V
0 C 471	59.63.1105	1 pce	220p	PPS 50V, 2%, 0805	0 IC 40	89.60.2151	1 pce	25.0MHz	VXCOscillator 3.3V
0 C 472	59.63.1105	1 pce	220p	PPS 50V, 2%, 0805	0 IC 41	89.60.2152	1 pce	28.224MHz	VXCOscillator 3.3V
0 C 473	59.60.2241	1 pce	47p	CER 50V, 5%, COG, 0603	0 IC 42	50.62.0260	1 pce	TLC 2932	Phase-locked Loop
0 C 474	59.60.3337	1 pce	100n	CER 50V, 10%, X7R, 0805	0 IC 43	50.61.2003	1 pce	LM1117	Lin Reg 800mA adj
0 C 475	59.68.0115	1 pce	100u	EL 35V, 8.0*10.7	0 IC 44	50.65.0945	1 pce	74LVC16245	16bit Bus-transceiver
0 C 476	59.68.0115	1 pce	100u	EL 35V, 8.0*10.7	0 IC 45	50.61.8005	1 pce	AK4393	D/A Converter 24bit DS SOP28
0 C 477	59.68.0115	1 pce	100u	EL 35V, 8.0*10.7	0 IC 46	50.61.0205	1 pce	TS272CD	Dual Op-Amp CMOS SO 8
0 C 478	59.68.0115	1 pce	100u	EL 35V, 8.0*10.7	0 IC 47	50.61.0205	1 pce	TS272CD	Dual Op-Amp CMOS SO 8
0 C 479	59.68.0115	1 pce	100u	EL 35V, 8.0*10.7	0 IC 48	50.61.0204	1 pce	MC33078	Dual Op-Amp low noise
0 C 480	59.68.0115	1 pce	100u	EL 35V, 8.0*10.7	0 IC 49	50.09.0124	1 pce	DRV134	Audio balanced line driver
0 C 481	59.60.3337	1 pce	100n	CER 50V, 10%, X7R, 0805	0 IC 50	50.62.1008	1 pce	74HC 08	Quad 2input AND
0 C 482	59.60.3337	1 pce	100n	CER 50V, 10%, X7R, 0805	0 IC 51	50.61.9001	1 pce	LM393	Dual voltage comp. SO 8
0 C 483	59.63.0101	1 pce	1n0	PEN 50V, 5%, 1206	0 IC 52	50.61.2003	1 pce	LM1117	Lin Reg 800mA adj
0 C 484	59.60.3337	1 pce	100n	CER 50V, 10%, X7R, 0805	0 IC 53	50.61.2003	1 pce	LM1117	Lin Reg 800mA adj
0 C 485	59.63.1105	1 pce	220p	PPS 50V, 2%, 0805	0 IC 54	50.61.9001	1 pce	LM393	Dual voltage comp. SO 8
0 C 486	59.60.3337	1 pce	100n	CER 50V, 10%, X7R, 0805	0 IC 55	50.61.2006	1 pce	L5970D	Step down switching regulator
0 C 487	59.63.1105	1 pce	220p	PPS 50V, 2%, 0805	0 IC 56	50.61.0204	1 pce	MC33078	Dual Op-Amp low noise
0 C 488	59.63.1105	1 pce	220p	PPS 50V, 2%, 0805	0 IC 57	50.09.0124	1 pce	DRV134	Audio balanced line driver
0 C 489	59.60.3337	1 pce	100n	CER 50V, 10%, X7R, 0805	0 IC 58	50.61.2003	1 pce	LM1117	Lin Reg 800mA adj
0 C 490	59.63.1105	1 pce	220p	PPS 50V, 2%, 0805	0 IC 59	50.61.8005	1 pce	AK4393	D/A Converter 24bit DS SOP28
0 C 491	59.63.1105	1 pce	220p	PPS 50V, 2%, 0805	0 IC 60	50.09.0124	1 pce	DRV134	Audio balanced line driver
0 C 492	59.60.3337	1 pce	100n	CER 50V, 10%, X7R, 0805	0 IC 61	50.61.0204	1 pce	MC33078	Dual Op-Amp low noise
0 C 493	59.63.1105	1 pce	220p	PPS 50V, 2%, 0805	0 IC 62	50.09.0124	1 pce	DRV134	Audio balanced line driver
0 C 494	59.63.0101	1 pce	1n0	PEN 50V, 5%, 1206	0 IC 63	50.61.0204	1 pce	MC33078	Dual Op-Amp low noise
0 C 495	59.60.3337	1 pce	100n	CER 50V, 10%, X7R, 0805	0 IC 64	50.61.8108	1 pce	AK5393	A/D Converter 24bit DS SOP28
0 C 496	59.68.0025	1 pce	22u	EL 6V, 4.0*5.7	0 IC 65	50.61.8108	1 pce	AK5393	A/D Converter 24bit DS SOP28
0 C 497	59.68.0025	1 pce	22u	EL 6V, 4.0*5.7	0 IC 66	50.61.2003	1 pce	LM1117	Lin Reg 800mA adj
0 C 498	59.63.0107	1 pce	3n3	PEN 50V, 5%, 1206	0 IC 67	50.61.8005	1 pce	AK4393	D/A Converter 24bit DS SOP28
0 C 499	59.63.0109	1 pce	4n7	PEN 50V, 5%, 1206	0 IC 68	50.61.8005	1 pce	AK4393	D/A Converter 24bit DS SOP28
0 C 500	59.68.0031	1 pce	22u	EL 6V, 8.0*6.3	0 IC 69	50.61.8005	1 pce	AK4393	D/A Converter 24bit DS SOP28
0 C 501	59.68.0025	1 pce	22u	EL 6V, 4.0*5.7	0 IC 70	50.61.0204	1 pce	MC33078	Dual Op-Amp low noise
0 C 502	59.68.0025	1 pce	22u	EL 6V, 4.0*5.7	0 IC 71	50.09.0124	1 pce	DRV134	Audio balanced line driver
0 C 503	59.63.1105	1 pce	220p	PPS 50V, 2%, 0805	0 IC 72	50.61.8005	1 pce	AK4393	D/A Converter 24bit DS SOP28
0 C 504	59.63.1105	1 pce	220p	PPS 50V, 2%, 0805	0 IC 73	50.61.0204	1 pce	MC33078	Dual Op-Amp low noise
0 C 505	59.63.1105	1 pce	220p	PPS 50V, 2%, 0805	0 IC 74	50.09.0124	1 pce	DRV134	Audio balanced line driver
0 C 506	59.63.0109	1 pce	4n7	PEN 50V, 5%, 1206	0 IC 75	50.61.0204	1 pce	MC33078	Dual Op-Amp low noise
0 C 507	59.63.0109	1 pce	4n7	PEN 50V, 5%, 1206	0 IC 76	50.61.0204	1 pce	MC33078	Dual Op-Amp low noise
0 C 508	59.60.2233	1 pce	22p	CER 50V, 5%, COG, 0603	0 IC 77				

Monitoring Audio PCB 1.949.815.20 (1)

Table with 10 columns: Idx. Pos., Part No., Qty., Type/Val., Description, Idx. Pos., Part No., Qty., Type/Val., Description. It lists various electronic components and their quantities for the Monitoring Audio PCB.

Monitoring Audio PCB 1.949.815.20 (1)

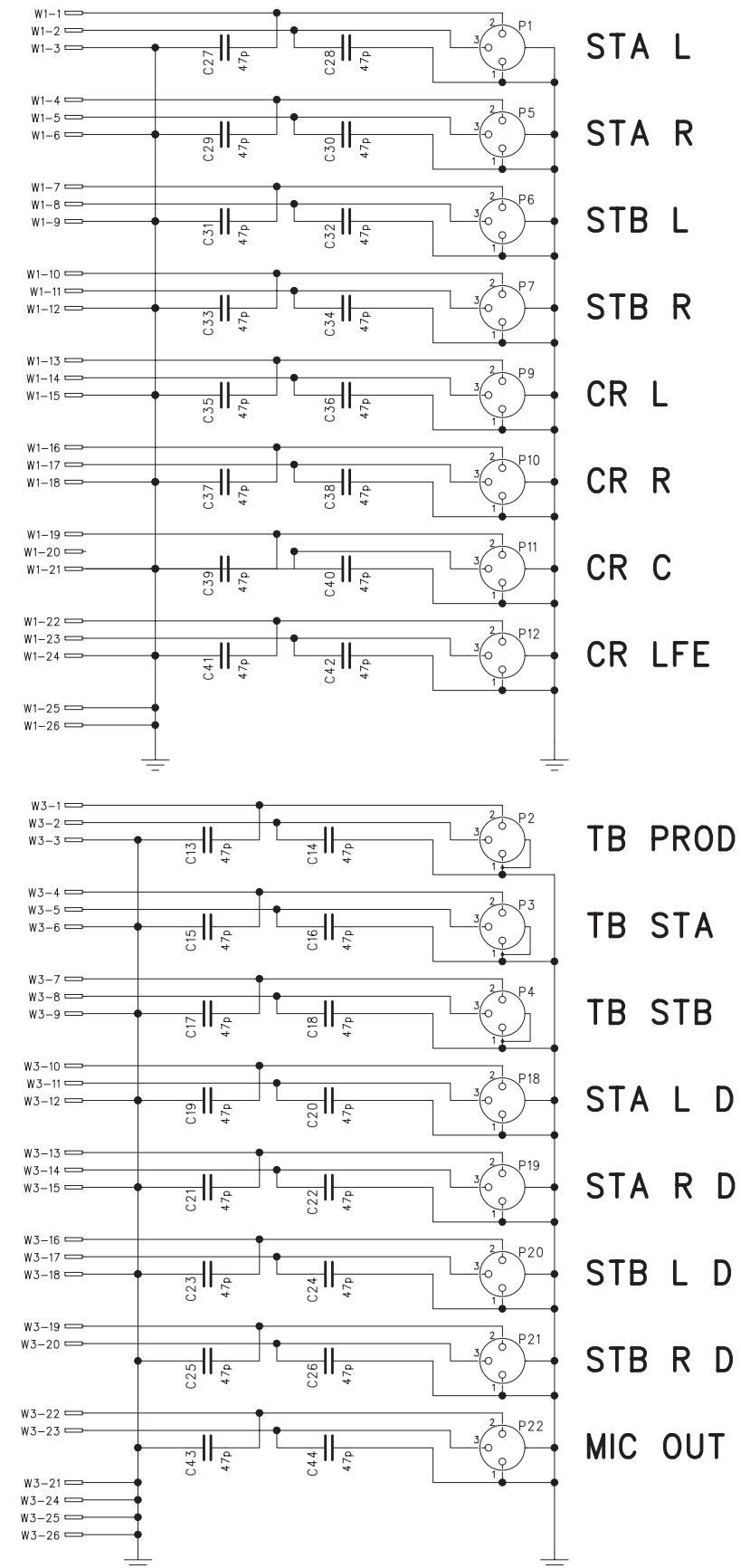
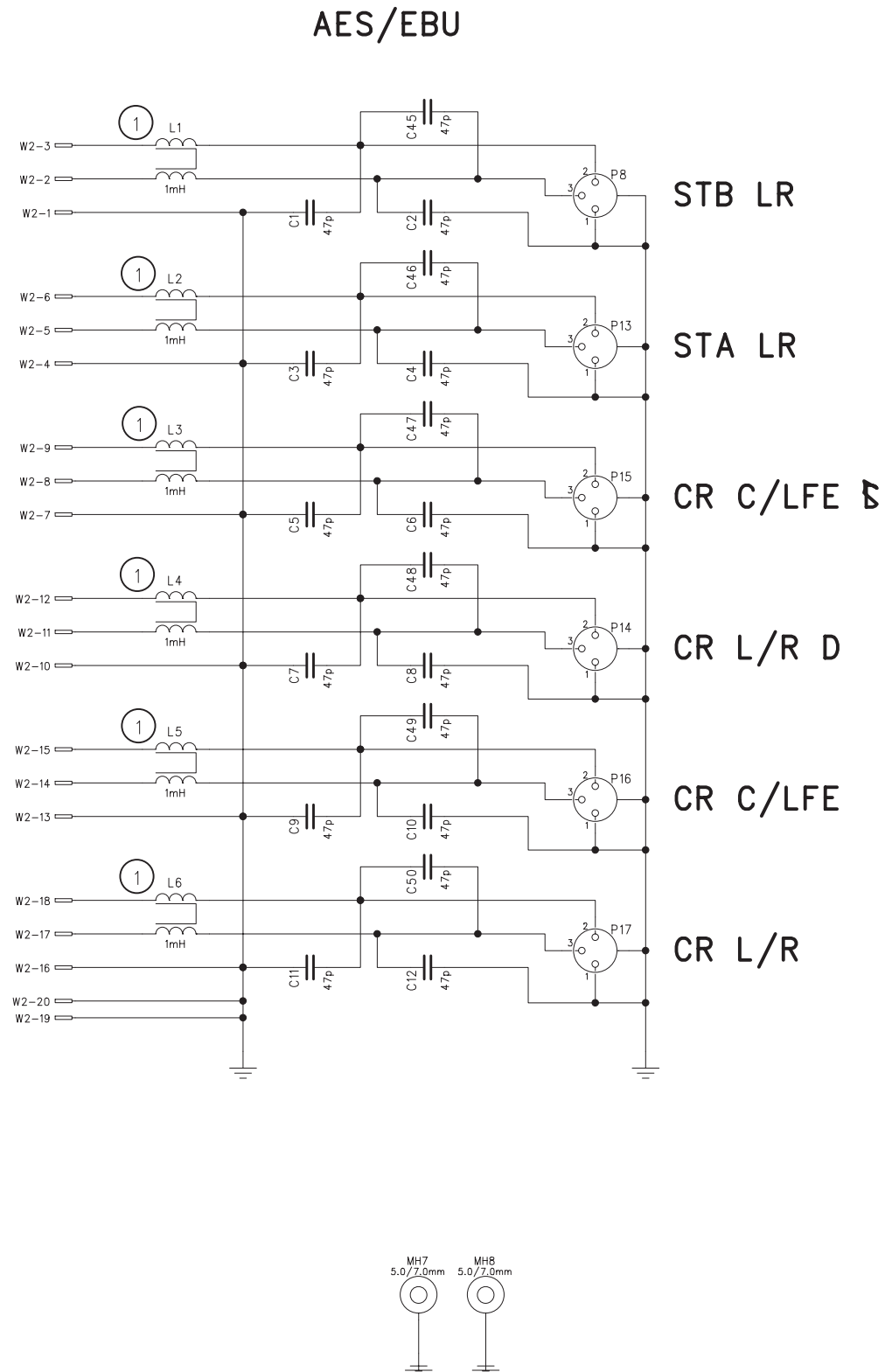
Idx. Pos.	Part No.	Qty.	Type/Val.	Description
0 R 519	57.60.1222	1 pce	2k2	MF, 1%, 0204, E24
0 R 520	57.60.1222	1 pce	2k2	MF, 1%, 0204, E24
0 R 521	57.60.1182	1 pce	1k8	MF, 1%, 0204, E24
0 R 522	57.60.1332	1 pce	3k3	MF, 1%, 0204, E24
0 R 523	57.60.1332	1 pce	3k3	MF, 1%, 0204, E24
0 R 524	57.60.1332	1 pce	3k3	MF, 1%, 0204, E24
0 R 525	57.60.1103	1 pce	10k	MF, 1%, 0204, E24
0 R 526	57.60.1332	1 pce	3k3	MF, 1%, 0204, E24
0 R 527	57.60.1562	1 pce	5k6	MF, 1%, 0204, E24
0 R 528	57.60.1562	1 pce	5k6	MF, 1%, 0204, E24
0 R 529	57.60.1471	1 pce	470R	MF, 1%, 0204, E24
0 R 530	57.60.1471	1 pce	470R	MF, 1%, 0204, E24
0 R 531	57.60.1471	1 pce	470R	MF, 1%, 0204, E24
0 R 532	57.60.1472	1 pce	4k7	MF, 1%, 0204, E24
0 R 533	57.60.1562	1 pce	5k6	MF, 1%, 0204, E24
0 R 534	57.60.1512	1 pce	5k1	MF, 1%, 0204, E24
0 R 535	57.60.1153	1 pce	15k	MF, 1%, 0204, E24
0 R 536	57.60.1101	1 pce	100R	MF, 1%, 0204, E24
0 R 537	57.60.1100	1 pce	10R	MF, 1%, 0204, E24
0 R 538	57.60.1102	1 pce	1k0	MF, 1%, 0204, E24
0 R 539	57.60.1102	1 pce	1k0	MF, 1%, 0204, E24
0 R 540	57.60.1102	1 pce	1k0	MF, 1%, 0204, E24
0 R 541	57.60.1103	1 pce	10k	MF, 1%, 0204, E24
0 R 542	57.60.1101	1 pce	100R	MF, 1%, 0204, E24
0 R 543	57.60.1102	1 pce	1k0	MF, 1%, 0204, E24
0 R 544	57.60.1822	1 pce	8k2	MF, 1%, 0204, E24
0 R 545	57.60.1101	1 pce	100R	MF, 1%, 0204, E24
0 R 546	57.60.1103	1 pce	10k	MF, 1%, 0204, E24
0 R 547	57.60.1565	1 pce	5M6	MF, 1%, 0204, E24
0 R 548	57.60.1103	1 pce	10k	MF, 1%, 0204, E24
0 R 549	57.60.1103	1 pce	10k	MF, 1%, 0204, E24
0 R 550	57.60.1102	1 pce	1k0	MF, 1%, 0204, E24
0 R 551	57.60.1822	1 pce	8k2	MF, 1%, 0204, E24
0 R 552	57.60.1689	1 pce	6R8	MF, 1%, 0204, E24
0 R 553	57.60.1102	1 pce	1k0	MF, 1%, 0204, E24
0 R 554	57.60.1103	1 pce	10k	MF, 1%, 0204, E24
0 R 555	57.60.1154	1 pce	150k	MF, 1%, 0204, E24
0 R 556	57.60.1332	1 pce	3k3	MF, 1%, 0204, E24
0 R 557	57.60.1332	1 pce	3k3	MF, 1%, 0204, E24
0 R 558	57.60.1332	1 pce	3k3	MF, 1%, 0204, E24
0 R 559	57.60.1332	1 pce	3k3	MF, 1%, 0204, E24
0 R 560	57.60.1332	1 pce	3k3	MF, 1%, 0204, E24
0 R 561	57.60.1332	1 pce	3k3	MF, 1%, 0204, E24
0 R 562	57.60.1689	1 pce	6R8	MF, 1%, 0204, E24
0 R 563	57.60.1000	1 pce	0R0	MF, 0204
0 R 564	57.60.1103	1 pce	10k	MF, 1%, 0204, E24
0 R 565	57.60.1561	1 pce	560R	MF, 1%, 0204, E24
0 R 566	57.60.1333	1 pce	33k	MF, 1%, 0204, E24
0 R 567	57.60.1182	1 pce	1k8	MF, 1%, 0204, E24
0 R 568	57.60.1332	1 pce	3k3	MF, 1%, 0204, E24
0 R 569	57.60.1332	1 pce	3k3	MF, 1%, 0204, E24
0 R 570	57.60.1182	1 pce	1k8	MF, 1%, 0204, E24
0 R 571	57.60.1182	1 pce	1k8	MF, 1%, 0204, E24
0 R 572	57.60.1332	1 pce	3k3	MF, 1%, 0204, E24
0 R 573	57.60.1332	1 pce	3k3	MF, 1%, 0204, E24
0 R 574	57.60.1182	1 pce	1k8	MF, 1%, 0204, E24
0 R 575	57.60.1182	1 pce	1k8	MF, 1%, 0204, E24
0 R 576	57.60.1332	1 pce	3k3	MF, 1%, 0204, E24
0 R 577	57.60.1332	1 pce	3k3	MF, 1%, 0204, E24
0 R 578	57.60.1182	1 pce	1k8	MF, 1%, 0204, E24
0 R 579	57.60.1330	1 pce	33R	MF, 1%, 0204, E24
0 R 580	57.60.1154	1 pce	150k	MF, 1%, 0204, E24
0 R 581	57.60.1333	1 pce	33k	MF, 1%, 0204, E24
0 R 582	57.60.1392	1 pce	3k9	MF, 1%, 0204, E24
0 R 583	57.60.1335	1 pce	3M3	MF, 1%, 0204, E24
0 R 584	57.60.1222	1 pce	2k2	MF, 1%, 0204, E24
0 R 585	57.60.1182	1 pce	1k8	MF, 1%, 0204, E24
0 R 586	57.60.1330	1 pce	33R	MF, 1%, 0204, E24
0 R 587	57.60.1333	1 pce	33k	MF, 1%, 0204, E24
0 R 588	57.60.1392	1 pce	3k9	MF, 1%, 0204, E24
0 R 589	57.60.1561	1 pce	560R	MF, 1%, 0204, E24
0 R 590	57.60.1333	1 pce	33k	MF, 1%, 0204, E24
0 R 591	57.60.1272	1 pce	2k7	MF, 1%, 0204, E24
0 R 592	57.60.1222	1 pce	2k2	MF, 1%, 0204, E24
0 R 593	57.60.1512	1 pce	5k1	MF, 1%, 0204, E24
0 R 594	57.60.1682	1 pce	6k8	MF, 1%, 0204, E24
0 R 595	57.60.1333	1 pce	33k	MF, 1%, 0204, E24
0 R 596	57.60.1123	1 pce	12k	MF, 1%, 0204, E24
0 R 597	57.60.1333	1 pce	33k	MF, 1%, 0204, E24
0 R 598	57.60.1103	1 pce	10k	MF, 1%, 0204, E24
0 R 599	57.60.1472	1 pce	4k7	MF, 1%, 0204, E24
0 R 600	57.60.1102	1 pce	1k0	MF, 1%, 0204, E24
0 R 601	57.60.1102	1 pce	1k0	MF, 1%, 0204, E24
0 R 602	57.60.1822	1 pce	8k2	MF, 1%, 0204, E24
0 R 603	57.60.1153	1 pce	15k	MF, 1%, 0204, E24
0 R 604	57.60.1562	1 pce	5k6	MF, 1%, 0204, E24
0 R 605	57.60.1102	1 pce	1k0	MF, 1%, 0204, E24
0 R 606	57.60.1103	1 pce	10k	MF, 1%, 0204, E24
0 R 607	57.60.1103	1 pce	10k	MF, 1%, 0204, E24
0 R 608	57.60.1101	1 pce	100R	MF, 1%, 0204, E24
0 R 609	57.60.1102	1 pce	1k0	MF, 1%, 0204, E24
0 R 610	57.60.1102	1 pce	1k0	MF, 1%, 0204, E24
0 R 611	57.60.1154	1 pce	150k	MF, 1%, 0204, E24
0 R 612	57.60.1822	1 pce	8k2	MF, 1%, 0204, E24
0 R 613	57.60.1101	1 pce	100R	MF, 1%, 0204, E24
0 R 614	57.60.1332	1 pce	3k3	MF, 1%, 0204, E24
0 R 615	57.60.1332	1 pce	3k3	MF, 1%, 0204, E24
0 R 616	57.60.1332	1 pce	3k3	MF, 1%, 0204, E24
0 R 617	57.60.1332	1 pce	3k3	MF, 1%, 0204, E24
0 R 618	57.60.1332	1 pce	3k3	MF, 1%, 0204, E24
0 R 619	57.60.1332	1 pce	3k3	MF, 1%, 0204, E24
0 R 620	57.60.1332	1 pce	3k3	MF, 1%, 0204, E24
0 R 621	57.60.1332	1 pce	3k3	MF, 1%, 0204, E24

Idx. Pos.	Part No.	Qty.	Type/Val.	Description
0 R 622	57.60.1332	1 pce	3k3	MF, 1%, 0204, E24
0 R 623	57.60.1332	1 pce	3k3	MF, 1%, 0204, E24
0 R 624	57.60.1332	1 pce	3k3	MF, 1%, 0204, E24
0 R 625	57.60.1332	1 pce	3k3	MF, 1%, 0204, E24
0 R 626	57.60.1332	1 pce	3k3	MF, 1%, 0204, E24
0 R 627	57.60.1332	1 pce	3k3	MF, 1%, 0204, E24
0 R 628	57.60.1332	1 pce	3k3	MF, 1%, 0204, E24
0 R 629	57.60.1103	1 pce	10k	MF, 1%, 0204, E24
0 R 630	57.60.1103	1 pce	10k	MF, 1%, 0204, E24
0 R 631	57.60.1103	1 pce	10k	MF, 1%, 0204, E24
0 R 632	57.60.1103	1 pce	10k	MF, 1%, 0204, E24
0 R 633	57.60.1103	1 pce	10k	MF, 1%, 0204, E24
0 R 634	57.60.1103	1 pce	10k	MF, 1%, 0204, E24
0 R 635	57.60.1103	1 pce	10k	MF, 1%, 0204, E24
0 R 636	57.60.1103	1 pce	10k	MF, 1%, 0204, E24
0 R 637	57.60.1103	1 pce	10k	MF, 1%, 0204, E24
0 R 638	57.60.1103	1 pce	10k	MF, 1%, 0204, E24
0 R 639	57.60.1103	1 pce	10k	MF, 1%, 0204, E24
0 R 640	57.60.1103	1 pce	10k	MF, 1%, 0204, E24
0 R 641	57.60.1332	1 pce	3k3	MF, 1%, 0204, E24
0 R 642	57.60.1332	1 pce	3k3	MF, 1%, 0204, E24
0 R 643	57.60.1332	1 pce	3k3	MF, 1%, 0204, E24
0 R 644	57.60.1332	1 pce	3k3	MF, 1%, 0204, E24
0 R 645	57.60.1102	1 pce	1k0	MF, 1%, 0204, E24
0 R 646	57.60.1101	1 pce	100R	MF, 1%, 0204, E24
0 R 647	57.60.1512	1 pce	5k1	MF, 1%, 0204, E24
0 R 648	57.60.1689	1 pce	6R8	MF, 1%, 0204, E24
0 R 649	57.60.1689	1 pce	6R8	MF, 1%, 0204, E24
0 R 650	57.60.1562	1 pce	5k6	MF, 1%, 0204, E24
0 R 651	57.60.1562	1 pce	5k6	MF, 1%, 0204, E24
0 RA 1	58.60.0125	1 pce	100k	SMD 20%, 0.25W, Cermet
0 RA 2	58.60.0125	1 pce	100k	SMD 20%, 0.25W, Cermet
0 T 1	not used	1 pce	1:1	Ethernet Transformer 10/100
0 T 2	not used	1 pce	1:1	Ethernet Transformer 10/100
0 T 3	63.60.0021	1 pce	1:1	Ethernet Transformer 10/100
0 T 4	63.60.0021	1 pce	1:1	Ethernet Transformer 10/100

End of List

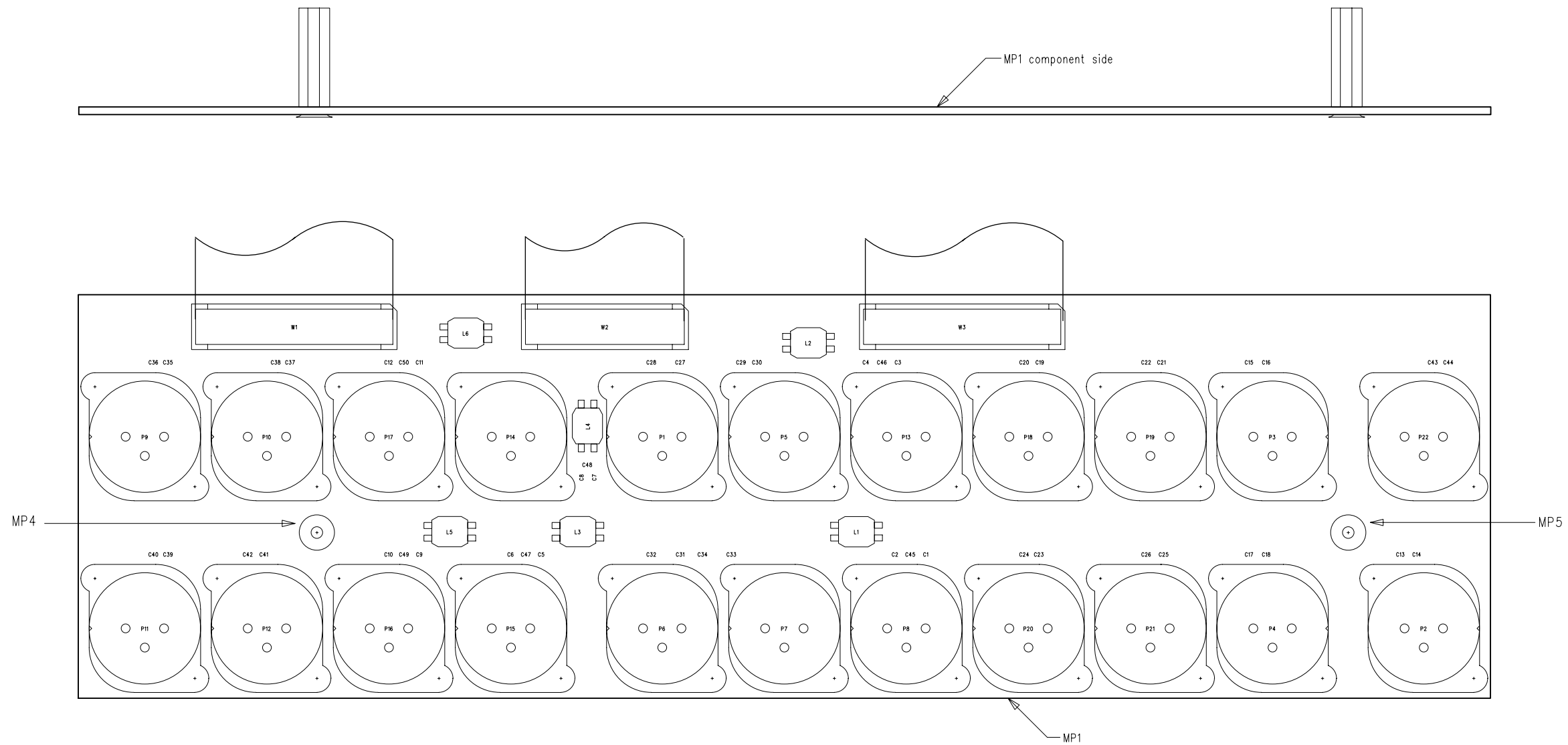
Comments:

[20] 02.06.06 LA
 (01) 24.08.06 IC32:1.949.915.20->1.949.915.21



Date:	17.10.2006	PG	ML
Index:	1	Page:	1 / 1
Index:	1	Page:	1 / 1

Monitoring Connector PCB 1.949.816.00 (1)



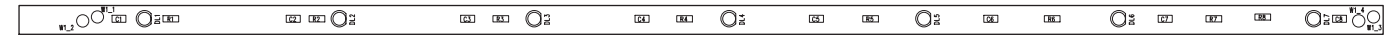
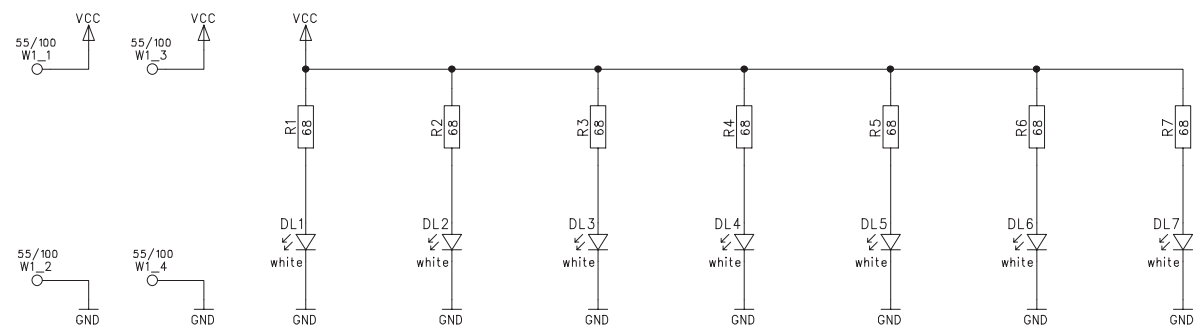
Monitoring Connector PCB 1.949.816.00 (1)

Idx. Pos.	Part No.	Qty.	Type/Val.	Description	Idx. Pos.	Part No.	Qty.	Type/Val.	Description
0	C 1	59.60.2241	1 pce	47p	CER 50V, 5%, COG, 0603				
0	C 2	59.60.2241	1 pce	47p	CER 50V, 5%, COG, 0603				
0	C 3	59.60.2241	1 pce	47p	CER 50V, 5%, COG, 0603				
0	C 4	59.60.2241	1 pce	47p	CER 50V, 5%, COG, 0603				
0	C 5	59.60.2241	1 pce	47p	CER 50V, 5%, COG, 0603				
0	C 6	59.60.2241	1 pce	47p	CER 50V, 5%, COG, 0603				
0	C 7	59.60.2241	1 pce	47p	CER 50V, 5%, COG, 0603				
0	C 8	59.60.2241	1 pce	47p	CER 50V, 5%, COG, 0603				
0	C 9	59.60.2241	1 pce	47p	CER 50V, 5%, COG, 0603				
0	C 10	59.60.2241	1 pce	47p	CER 50V, 5%, COG, 0603				
0	C 11	59.60.2241	1 pce	47p	CER 50V, 5%, COG, 0603				
0	C 12	59.60.2241	1 pce	47p	CER 50V, 5%, COG, 0603				
0	C 13	59.60.2241	1 pce	47p	CER 50V, 5%, COG, 0603				
0	C 14	59.60.2241	1 pce	47p	CER 50V, 5%, COG, 0603				
0	C 15	59.60.2241	1 pce	47p	CER 50V, 5%, COG, 0603				
0	C 16	59.60.2241	1 pce	47p	CER 50V, 5%, COG, 0603				
0	C 17	59.60.2241	1 pce	47p	CER 50V, 5%, COG, 0603				
0	C 18	59.60.2241	1 pce	47p	CER 50V, 5%, COG, 0603				
0	C 19	59.60.2241	1 pce	47p	CER 50V, 5%, COG, 0603				
0	C 20	59.60.2241	1 pce	47p	CER 50V, 5%, COG, 0603				
0	C 21	59.60.2241	1 pce	47p	CER 50V, 5%, COG, 0603				
0	C 22	59.60.2241	1 pce	47p	CER 50V, 5%, COG, 0603				
0	C 23	59.60.2241	1 pce	47p	CER 50V, 5%, COG, 0603				
0	C 24	59.60.2241	1 pce	47p	CER 50V, 5%, COG, 0603				
0	C 25	59.60.2241	1 pce	47p	CER 50V, 5%, COG, 0603				
0	C 26	59.60.2241	1 pce	47p	CER 50V, 5%, COG, 0603				
0	C 27	59.60.2241	1 pce	47p	CER 50V, 5%, COG, 0603				
0	C 28	59.60.2241	1 pce	47p	CER 50V, 5%, COG, 0603				
0	C 29	59.60.2241	1 pce	47p	CER 50V, 5%, COG, 0603				
0	C 30	59.60.2241	1 pce	47p	CER 50V, 5%, COG, 0603				
0	C 31	59.60.2241	1 pce	47p	CER 50V, 5%, COG, 0603				
0	C 32	59.60.2241	1 pce	47p	CER 50V, 5%, COG, 0603				
0	C 33	59.60.2241	1 pce	47p	CER 50V, 5%, COG, 0603				
0	C 34	59.60.2241	1 pce	47p	CER 50V, 5%, COG, 0603				
0	C 35	59.60.2241	1 pce	47p	CER 50V, 5%, COG, 0603				
0	C 36	59.60.2241	1 pce	47p	CER 50V, 5%, COG, 0603				
0	C 37	59.60.2241	1 pce	47p	CER 50V, 5%, COG, 0603				
0	C 38	59.60.2241	1 pce	47p	CER 50V, 5%, COG, 0603				
0	C 39	59.60.2241	1 pce	47p	CER 50V, 5%, COG, 0603				
0	C 40	59.60.2241	1 pce	47p	CER 50V, 5%, COG, 0603				
0	C 41	59.60.2241	1 pce	47p	CER 50V, 5%, COG, 0603				
0	C 42	59.60.2241	1 pce	47p	CER 50V, 5%, COG, 0603				
0	C 43	59.60.2241	1 pce	47p	CER 50V, 5%, COG, 0603				
0	C 44	59.60.2241	1 pce	47p	CER 50V, 5%, COG, 0603				
0	C 45	59.60.2241	1 pce	47p	CER 50V, 5%, COG, 0603				
0	C 46	59.60.2241	1 pce	47p	CER 50V, 5%, COG, 0603				
0	C 47	59.60.2241	1 pce	47p	CER 50V, 5%, COG, 0603				
0	C 48	59.60.2241	1 pce	47p	CER 50V, 5%, COG, 0603				
0	C 49	59.60.2241	1 pce	47p	CER 50V, 5%, COG, 0603				
0	C 50	59.60.2241	1 pce	47p	CER 50V, 5%, COG, 0603				
1	L 1	62.60.0531	1 pce	1.0mH	SMDCommon mode				
1	L 2	62.60.0531	1 pce	1.0mH	SMDCommon mode				
1	L 3	62.60.0531	1 pce	1.0mH	SMDCommon mode				
1	L 4	62.60.0531	1 pce	1.0mH	SMDCommon mode				
1	L 5	62.60.0531	1 pce	1.0mH	SMDCommon mode				
1	L 6	62.60.0531	1 pce	1.0mH	SMDCommon mode				
1	MP 1	1.949.816.13	1 pce		MONITORING CONNECTOR PCB				
0	MP 2	1.949.816.10	1 pce		Nr. ETIKETTE 5x20				
0	MP 3	43.01.0108	1 pce	Label	ESE-Warnschild				
0	MP 4	1.010.053.22	1 pce	M3*24	Nietmutter sw 6				
0	MP 5	1.010.053.22	1 pce	M3*24	Nietmutter sw 6				
1	MP 6	43.10.0110	1 pce	A	Revisions-Etikette 5mm h/blau				
0	P 1	54.21.2221	1 pce	3p	XLR PCB gerade Au metal				
0	P 2	54.21.2212	1 pce	3p	XLR PCB gerade				
0	P 3	54.21.2212	1 pce	3p	XLR PCB gerade				
0	P 4	54.21.2212	1 pce	3p	XLR PCB gerade				
0	P 5	54.21.2221	1 pce	3p	XLR PCB gerade Au metal				
0	P 6	54.21.2221	1 pce	3p	XLR PCB gerade Au metal				
0	P 7	54.21.2221	1 pce	3p	XLR PCB gerade Au metal				
0	P 8	54.21.2221	1 pce	3p	XLR PCB gerade Au metal				
0	P 9	54.21.2221	1 pce	3p	XLR PCB gerade Au metal				
0	P 10	54.21.2221	1 pce	3p	XLR PCB gerade Au metal				
0	P 11	54.21.2221	1 pce	3p	XLR PCB gerade Au metal				
0	P 12	54.21.2221	1 pce	3p	XLR PCB gerade Au metal				
0	P 13	54.21.2221	1 pce	3p	XLR PCB gerade Au metal				
0	P 14	54.21.2221	1 pce	3p	XLR PCB gerade Au metal				
0	P 15	54.21.2221	1 pce	3p	XLR PCB gerade Au metal				
0	P 16	54.21.2221	1 pce	3p	XLR PCB gerade Au metal				
0	P 17	54.21.2221	1 pce	3p	XLR PCB gerade Au metal				
0	P 18	54.21.2221	1 pce	3p	XLR PCB gerade Au metal				
0	P 19	54.21.2221	1 pce	3p	XLR PCB gerade Au metal				
0	P 20	54.21.2221	1 pce	3p	XLR PCB gerade Au metal				
0	P 21	54.21.2221	1 pce	3p	XLR PCB gerade Au metal				
0	P 22	54.21.2221	1 pce	3p	XLR PCB gerade Au metal				
0	W 1	1.023.112.12	1 pce		FLACHKABEL 26 POL. 0,20M				
0	W 2	1.023.112.21	1 pce		FLACHKABEL 20 POL. 0,20M				
0	W 3	1.023.112.12	1 pce		FLACHKABEL 26 POL. 0,20M				

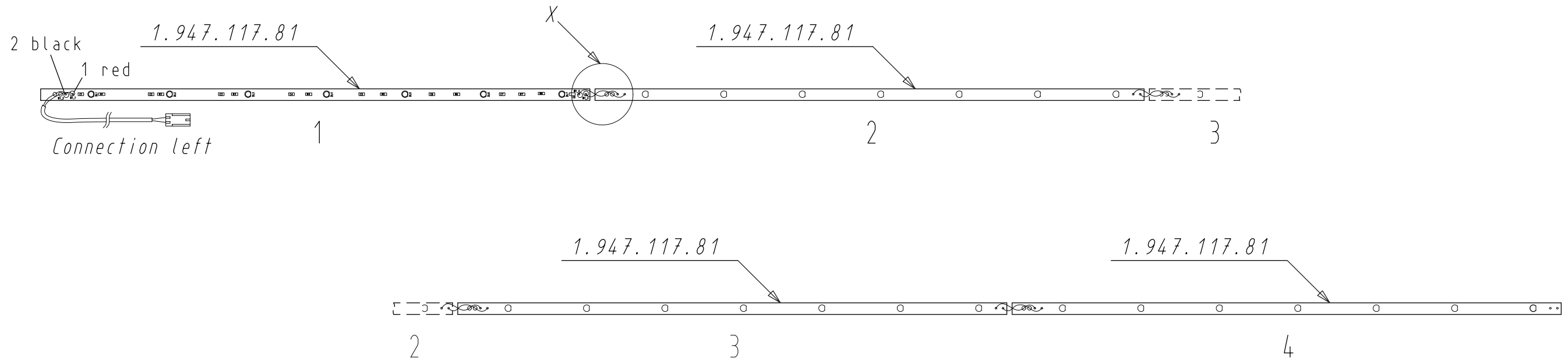
End of List

Comments:

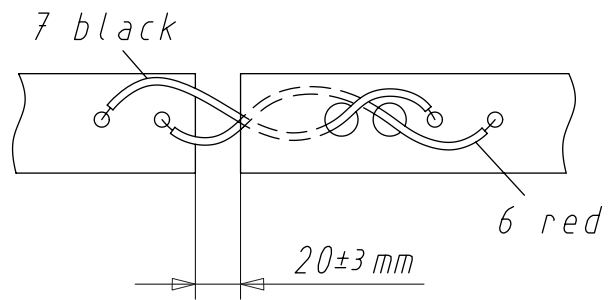
- (00) 16.06.06 LA
- (01) 17.10.06 MP1:PCB..12->..13, L1..L6, MP6 added



Illumination PCB 1.949.818.00 (0)



*Detail X
(PCB connection 3x)*



STUDER REGENSDORF	Description: Bezeichnung: Desk illumination	Number: 1.949.818.00	02.07.07	WR	ML	GP	⊙
			Date Datum	Visa Gez.	Checked Gepr.	Seen Ges.	Index

Illumination PCB 1.947.117.82 (0)

Idx. Pos.	Part No.	Qty.	Type/Val.	Description
0	DL 1	50.04.2208	1 pce	FUL-R334WWCSL LED 3mm white
0	DL 2	50.04.2208	1 pce	FUL-R334WWCSL LED 3mm white
0	DL 3	50.04.2208	1 pce	FUL-R334WWCSL LED 3mm white
0	DL 4	50.04.2208	1 pce	FUL-R334WWCSL LED 3mm white
0	DL 5	50.04.2208	1 pce	FUL-R334WWCSL LED 3mm white
0	DL 6	50.04.2208	1 pce	FUL-R334WWCSL LED 3mm white
0	DL 7	50.04.2208	1 pce	FUL-R334WWCSL LED 3mm white
0	MP 1	1.949.157.12	1 pce	Desk Illumination PCB
0	MP 2	1.947.117.10	1 pce	Nr. Etiketle 5x20
0	MP 3	43.01.0108	1 pce	Label ESE-Warnschild
0	R 1	57.60.1680	1 pce	68R MF, 1%, 0204, E24
0	R 2	57.60.1680	1 pce	68R MF, 1%, 0204, E24
0	R 3	57.60.1680	1 pce	68R MF, 1%, 0204, E24
0	R 4	57.60.1680	1 pce	68R MF, 1%, 0204, E24
0	R 5	57.60.1680	1 pce	68R MF, 1%, 0204, E24
0	R 6	57.60.1680	1 pce	68R MF, 1%, 0204, E24
0	R 7	57.60.1680	1 pce	68R MF, 1%, 0204, E24

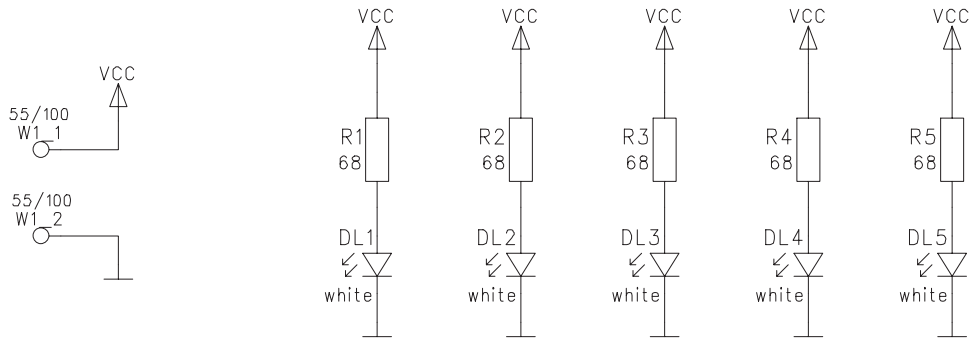
Idx. Pos.	Part No.	Qty.	Type/Val.	Description
0	DL 1	50.04.2208	1 pce	FUL-R334WWCSL LED 3mm white
0	DL 2	50.04.2208	1 pce	FUL-R334WWCSL LED 3mm white
0	DL 3	50.04.2208	1 pce	FUL-R334WWCSL LED 3mm white
0	DL 4	50.04.2208	1 pce	FUL-R334WWCSL LED 3mm white
0	DL 5	50.04.2208	1 pce	FUL-R334WWCSL LED 3mm white
0	DL 6	50.04.2208	1 pce	FUL-R334WWCSL LED 3mm white
0	DL 7	50.04.2208	1 pce	FUL-R334WWCSL LED 3mm white
0	MP 1	1.949.157.12	1 pce	Desk Illumination PCB
0	MP 2	1.947.117.10	1 pce	Nr. Etiketle 5x20
0	MP 3	43.01.0108	1 pce	Label ESE-Warnschild
0	R 1	57.60.1680	1 pce	68R MF, 1%, 0204, E24
0	R 2	57.60.1680	1 pce	68R MF, 1%, 0204, E24
0	R 3	57.60.1680	1 pce	68R MF, 1%, 0204, E24
0	R 4	57.60.1680	1 pce	68R MF, 1%, 0204, E24
0	R 5	57.60.1680	1 pce	68R MF, 1%, 0204, E24
0	R 6	57.60.1680	1 pce	68R MF, 1%, 0204, E24
0	R 7	57.60.1680	1 pce	68R MF, 1%, 0204, E24

End of List

Comments:

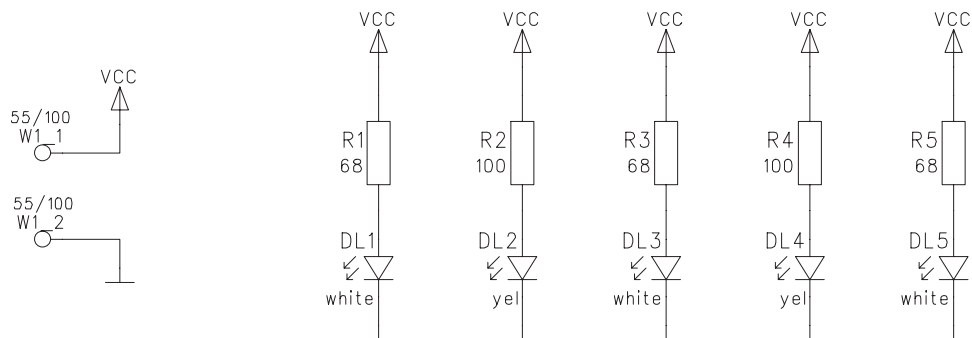
[82] 11.10.2007 ZT

Illumination PCBs 1.949.819.00 (0) / 1.949.819.81 (0)



30.06.2006		PG	ML	
Date:	30.06.2006	Ver:	0	0
Issue:	0	Page:	1	1
Index:		Sheet:		
		1.949.819.00		

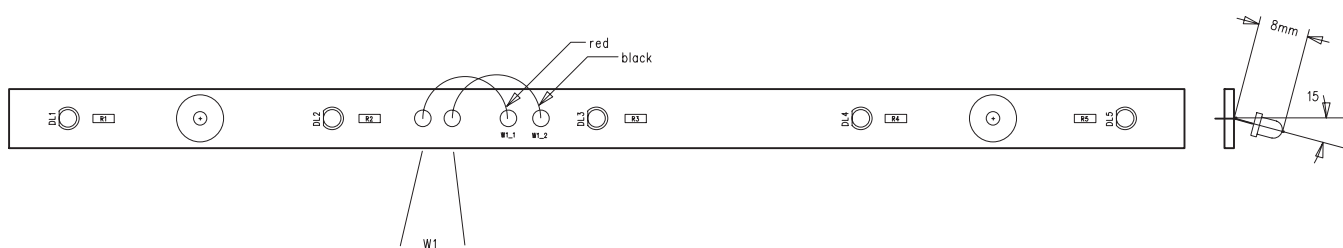
STUDER	ILLUMINATION BOARD	1.949.819.00		



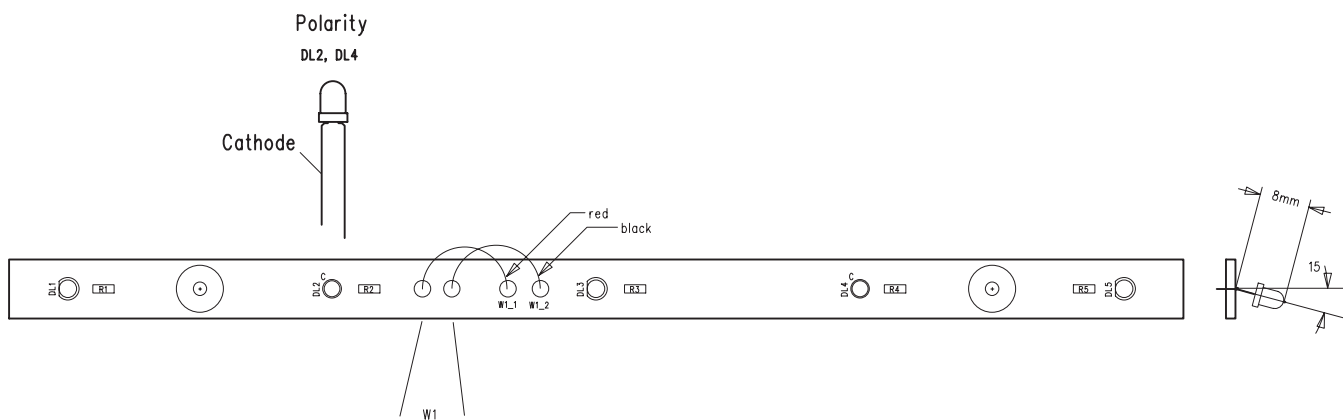
02.04.07		PG	ML	
Date:	02.04.07	Ver:	0	0
Issue:	0	Page:	1	1
Index:		Sheet:		
		1.949.819.81		

STUDER	ILLUMINATION BOARD	1.949.819.81		

Illumination PCBs 1.949.819.00 (0) / 1.949.819.81 (0)



30.06.2006		PG	ML	
Date:	Drawn:	Part:	Checked:	Scale:
0		1	/	1
STUDER		ILLUMINATION BOARD		
		1.949.819.00		



14.06.2007		PG	ML	
Date:	Drawn:	Part:	Checked:	Scale:
0		1	/	1
STUDER		ILLUMINATION BOARD		
		1.949.819.81		

Illumination PCB 1.949.819.00 (0)

Idx. Pos.	Part No.	Qty.	Type/Val.	Description
0 DL 1	50.04.2207	1 pce	FNL-R325W15	LED 3mm white
0 DL 2	50.04.2207	1 pce	FNL-R325W15	LED 3mm white
0 DL 3	50.04.2207	1 pce	FNL-R325W15	LED 3mm white
0 DL 4	50.04.2207	1 pce	FNL-R325W15	LED 3mm white
0 DL 5	50.04.2207	1 pce	FNL-R325W15	LED 3mm white
0 MP 1	1.949.819.11	1 pce		ILLUMINATION PCB
0 MP 2	1.949.819.10	1 pce		Nr. ETIKETTE 5x20
0 R 1	57.60.1680	1 pce	68R	MF, 1%, 0204, E24
0 R 2	57.60.1680	1 pce	68R	MF, 1%, 0204, E24
0 R 3	57.60.1680	1 pce	68R	MF, 1%, 0204, E24
0 R 4	57.60.1680	1 pce	68R	MF, 1%, 0204, E24
0 R 5	57.60.1680	1 pce	68R	MF, 1%, 0204, E24
0 W 1	1.949.819.93			LL ILLUMINATION BOARD

Idx. Pos.	Part No.	Qty.	Type/Val.	Description
-----------	----------	------	-----------	-------------

End of List

Comments:

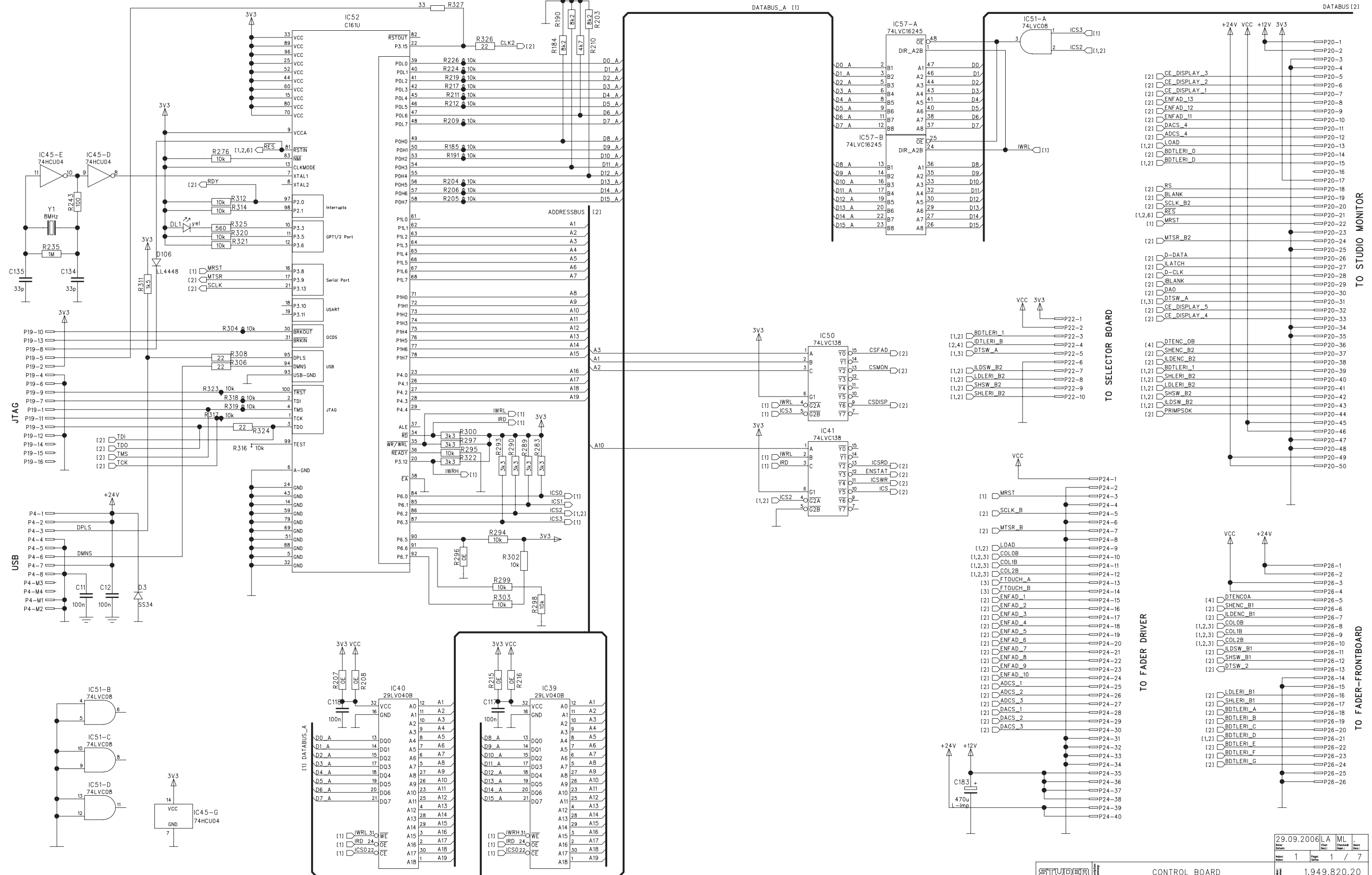
Illumination PCB 1.949.819.81 (0)

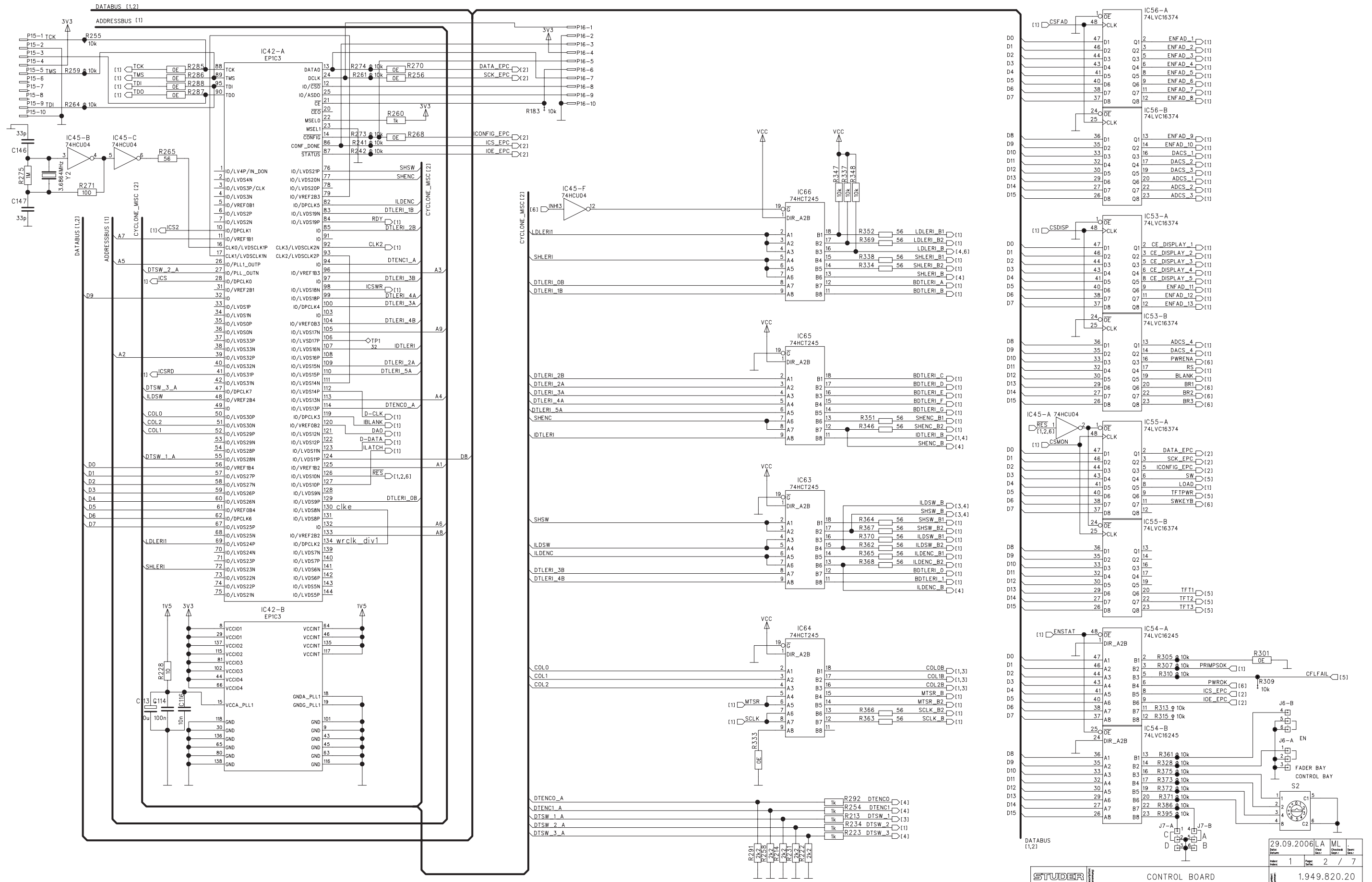
Idx. Pos.	Part No.	Qty.	Type/Val.	Description
0 DL 1	50.04.2208	1 pce	FUL-R334WWCSL	LED 3mm white
0 DL 2	50.04.2209	1 pce	L7104SYC/H	LED 3mm yellow
0 DL 3	50.04.2208	1 pce	FUL-R334WWCSL	LED 3mm white
0 DL 4	50.04.2209	1 pce	L7104SYC/H	LED 3mm yellow
0 DL 5	50.04.2208	1 pce	FUL-R334WWCSL	LED 3mm white
0 MP 1	1.949.819.11	1 pce		ILLUMINATION PCB
0 MP 2	1.949.819.10	1 pce		Nr. ETIKETTE 5x20
0 R 1	57.60.1680	1 pce	68R	MF, 1%, 0204, E24
0 R 2	57.60.1101	1 pce	100R	MF, 1%, 0204, E24
0 R 3	57.60.1680	1 pce	68R	MF, 1%, 0204, E24
0 R 4	57.60.1101	1 pce	100R	MF, 1%, 0204, E24
0 R 5	57.60.1680	1 pce	68R	MF, 1%, 0204, E24
0 W 1	1.949.819.93	1 pce		LL ILLUMINATION BOARD

Idx. Pos.	Part No.	Qty.	Type/Val.	Description
-----------	----------	------	-----------	-------------

End of List

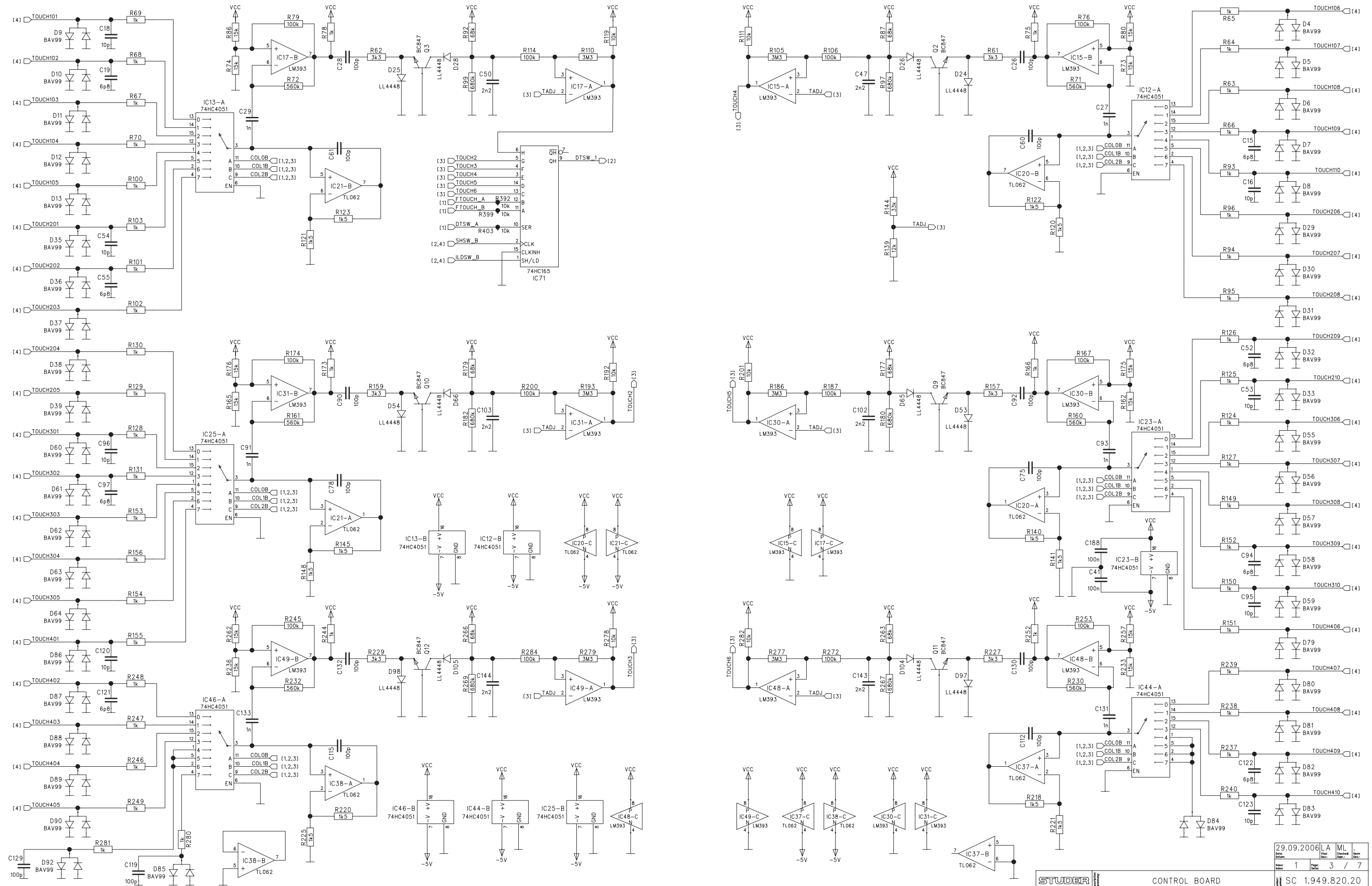
Comments:



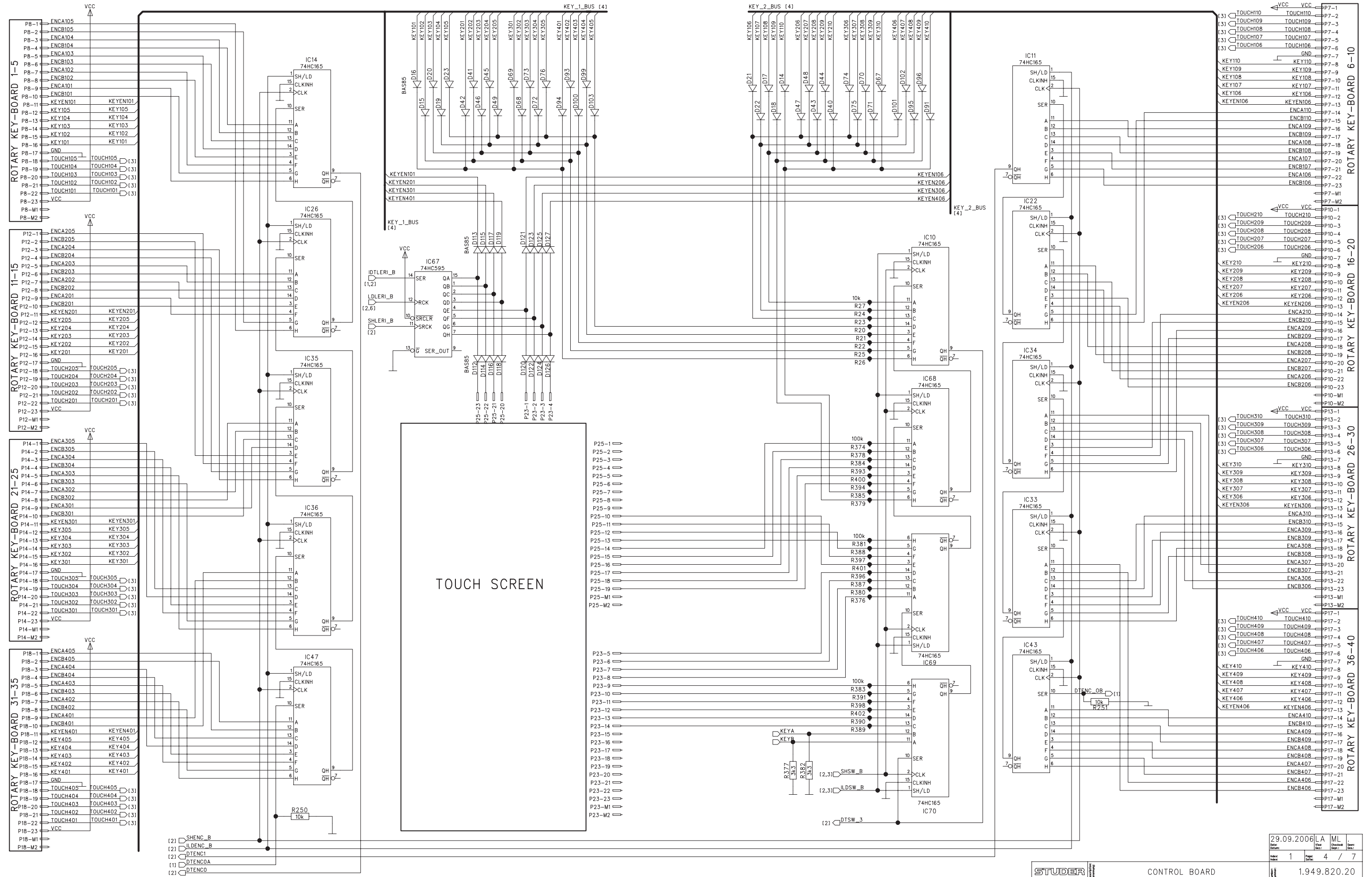


29.09.2006		LA	ML	I.
Index	1	Page	2	7
STUDER		CONTROL BOARD		1.949.820.20

Control PCB 1.949.820.20 (1)

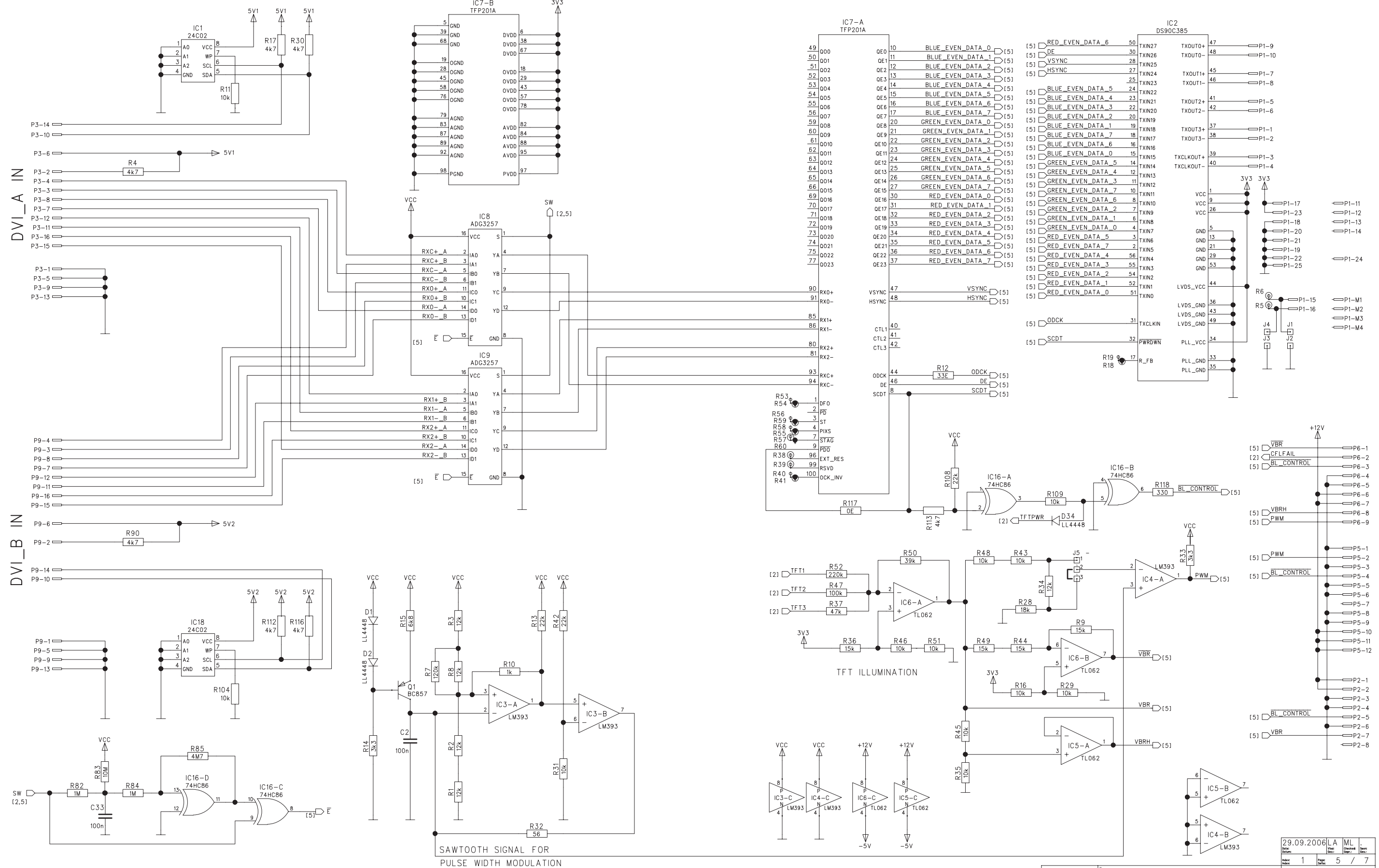


Date printed: 23.10.07



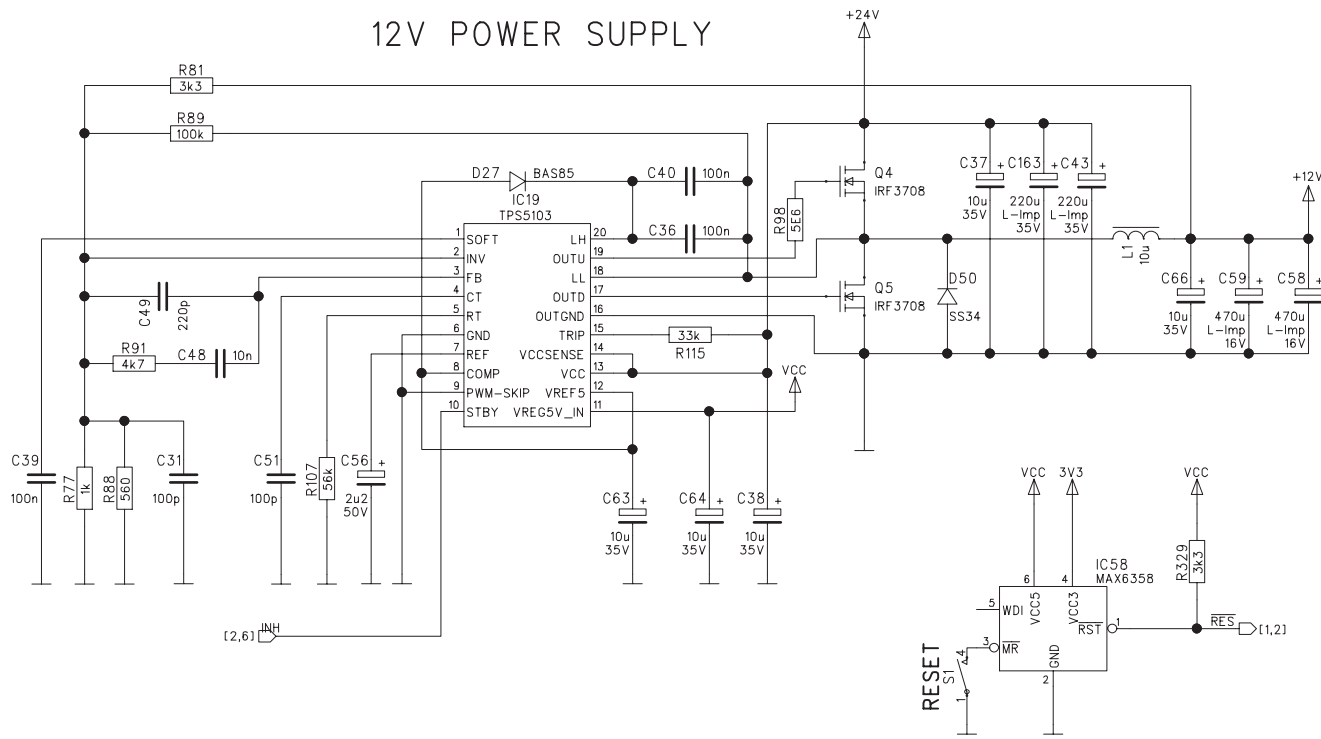
- (2) SHENC_B
- (2) ILDENC_B
- (2) DTENCI
- (2) DTENCOA
- (1) DTENCO

29.09.2006		ML	
Issue	1	Page	4 / 7
Date		Order	

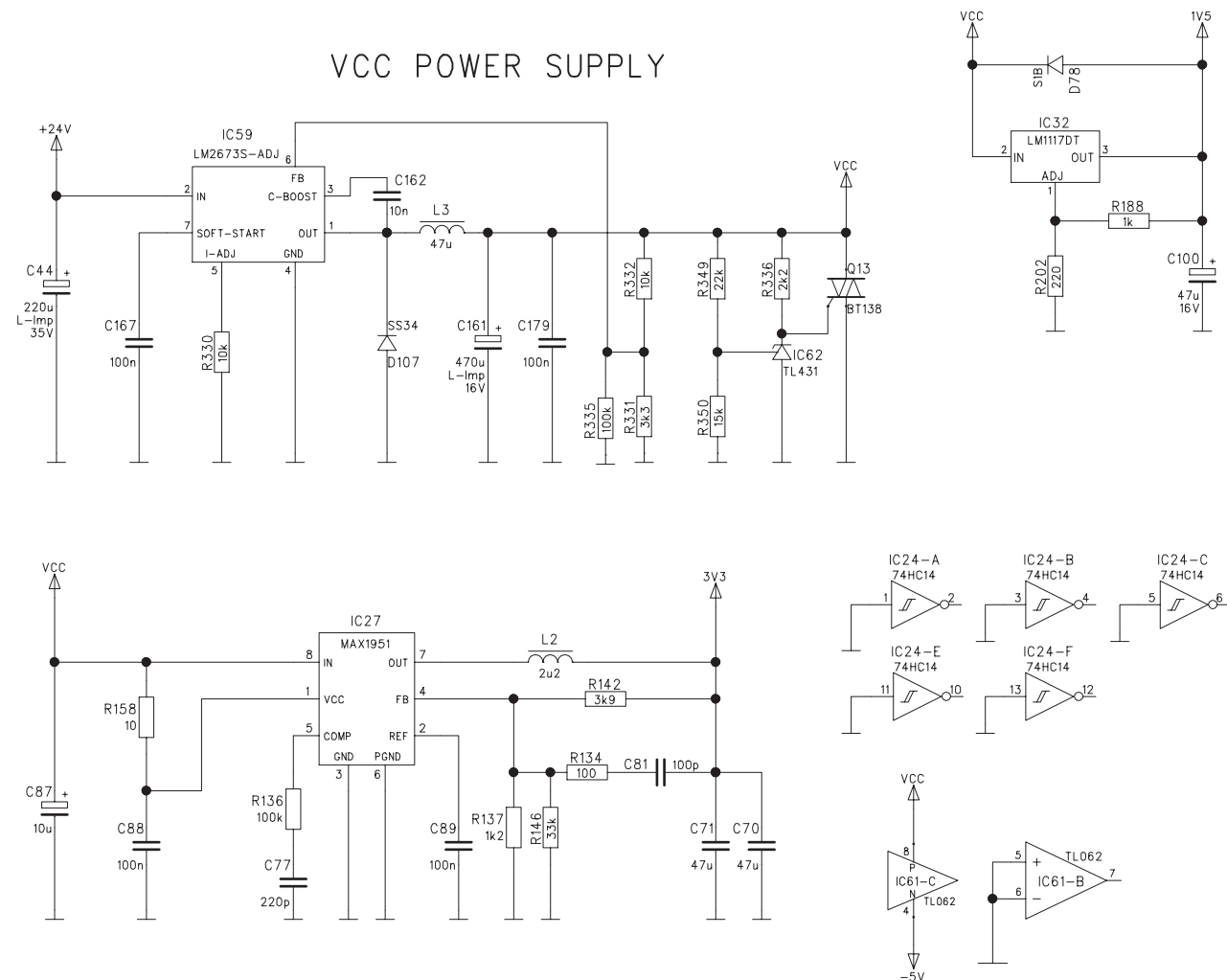


Control PCB 1.949.820.20 (1)

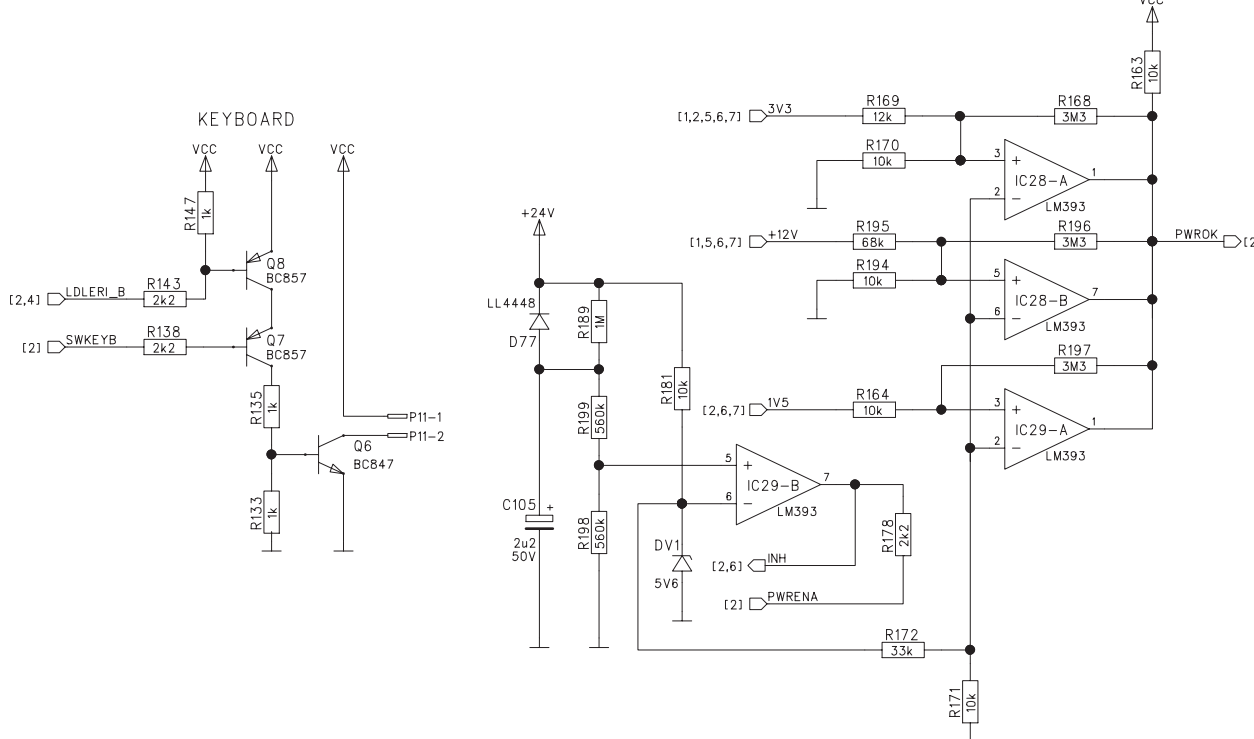
12V POWER SUPPLY



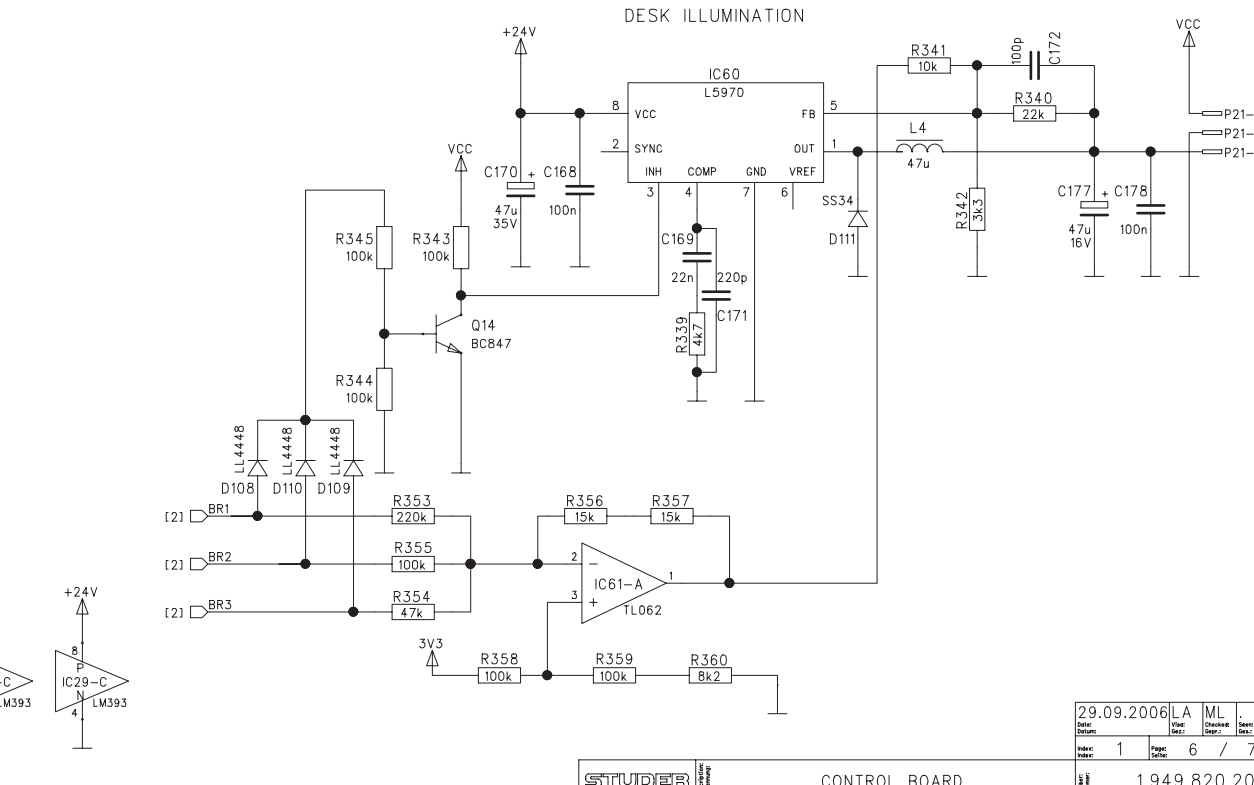
VCC POWER SUPPLY

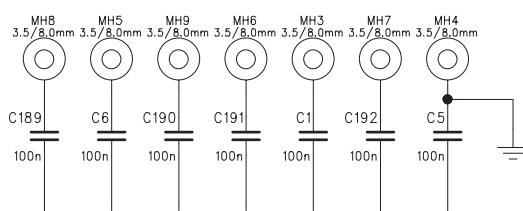
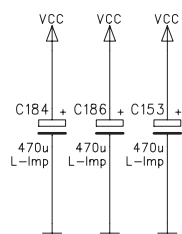
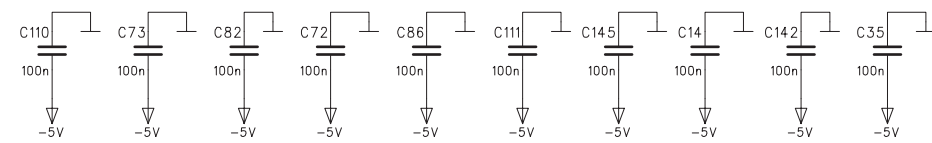
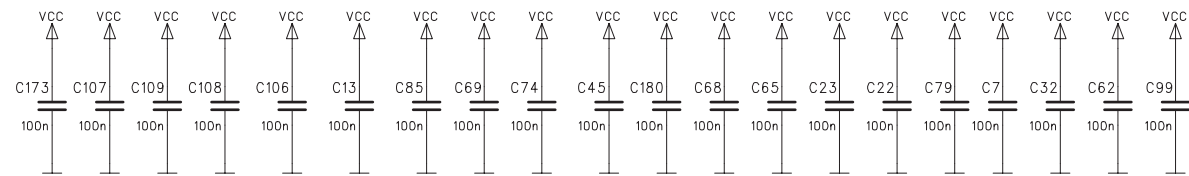
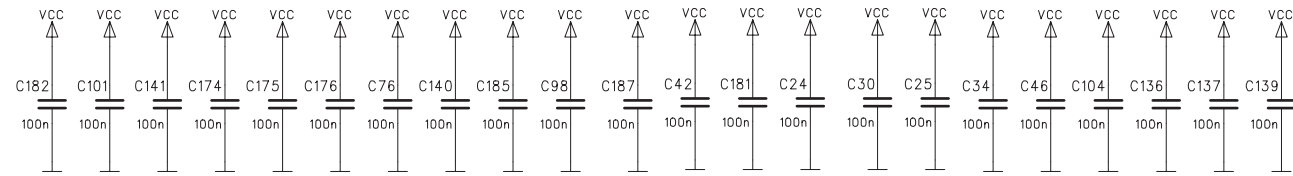
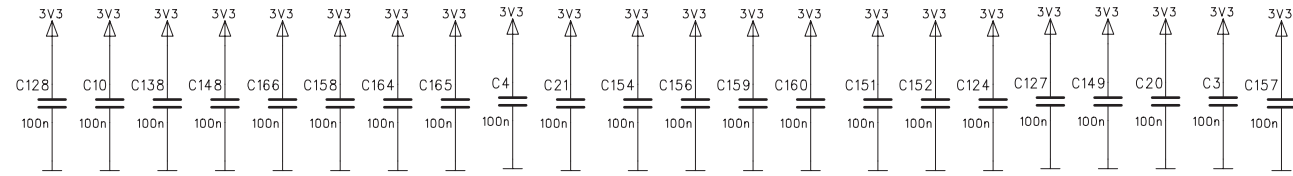


KEYBOARD



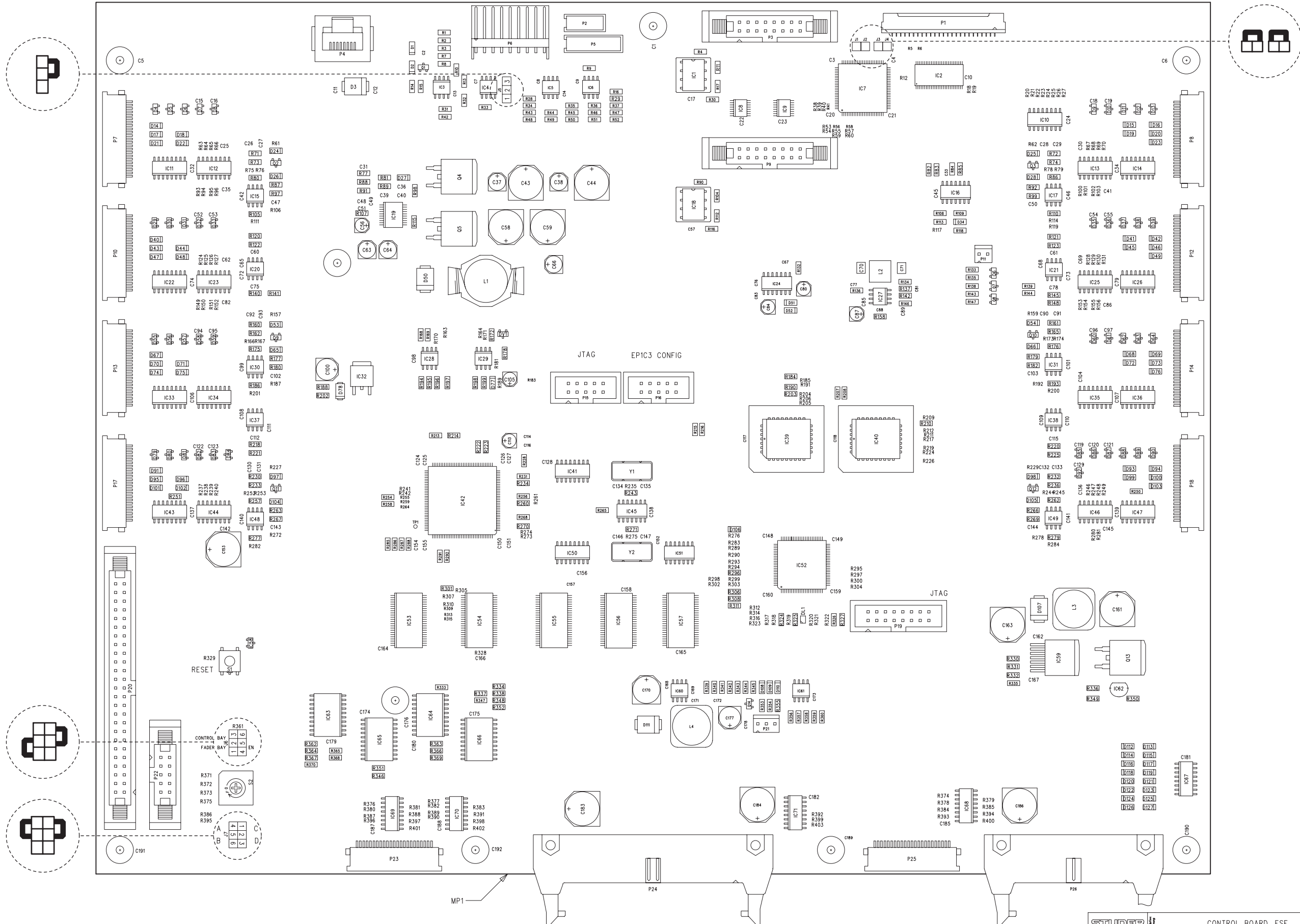
DESK ILLUMINATION





29.09.2006	LA	ML	.
Doc:	Rev:	Created:	Drawn:
1	7	7	7
1.949.820.20			

Control PCB 1.949.820.20 (1)



14.06.2006	LA	ML	HW
0	1	1	1
STUDER			CONTROL BOARD, ESE
			1.949.820.20

Date printed: 23.10.07

Control PCB 1.949.820.20 (1)

Idx. Pos.	Part No.	Qty.	Type/Val.	Description
0 D 14	50.60.8101	1 pce	BAS85	200mA 30V Schottky SOD 80
0 D 15	50.60.8101	1 pce	BAS85	200mA 30V Schottky SOD 80
0 D 16	50.60.8101	1 pce	BAS85	200mA 30V Schottky SOD 80
0 D 17	50.60.8101	1 pce	BAS85	200mA 30V Schottky SOD 80
0 D 18	50.60.8101	1 pce	BAS85	200mA 30V Schottky SOD 80
0 D 19	50.60.8101	1 pce	BAS85	200mA 30V Schottky SOD 80
0 D 20	50.60.8101	1 pce	BAS85	200mA 30V Schottky SOD 80
0 D 21	50.60.8101	1 pce	BAS85	200mA 30V Schottky SOD 80
0 D 22	50.60.8101	1 pce	BAS85	200mA 30V Schottky SOD 80
0 D 23	50.60.8101	1 pce	BAS85	200mA 30V Schottky SOD 80
0 D 24	50.60.8001	1 pce	4448	200mA 75V 4ns SOD 80
0 D 25	50.60.8001	1 pce	4448	200mA 75V 4ns SOD 80
0 D 26	50.60.8001	1 pce	4448	200mA 75V 4ns SOD 80
0 D 27	50.60.8101	1 pce	BAS85	200mA 30V Schottky SOD 80
0 D 28	50.60.8001	1 pce	4448	200mA 75V 4ns SOD 80
0 D 29	50.60.8901	1 pce	BAV99	250mA 70V dual SOT 23
0 D 30	50.60.8901	1 pce	BAV99	250mA 70V dual SOT 23
0 D 31	50.60.8901	1 pce	BAV99	250mA 70V dual SOT 23
0 D 32	50.60.8901	1 pce	BAV99	250mA 70V dual SOT 23
0 D 33	50.60.8901	1 pce	BAV99	250mA 70V dual SOT 23
0 D 34	50.60.8001	1 pce	4448	200mA 75V 4ns SOD 80
0 D 35	50.60.8901	1 pce	BAV99	250mA 70V dual SOT 23
0 D 36	50.60.8901	1 pce	BAV99	250mA 70V dual SOT 23
0 D 37	50.60.8901	1 pce	BAV99	250mA 70V dual SOT 23
0 D 38	50.60.8901	1 pce	BAV99	250mA 70V dual SOT 23
0 D 39	50.60.8901	1 pce	BAV99	250mA 70V dual SOT 23
0 D 40	50.60.8101	1 pce	BAS85	200mA 30V Schottky SOD 80
0 D 41	50.60.8101	1 pce	BAS85	200mA 30V Schottky SOD 80
0 D 42	50.60.8101	1 pce	BAS85	200mA 30V Schottky SOD 80
0 D 43	50.60.8101	1 pce	BAS85	200mA 30V Schottky SOD 80
0 D 44	50.60.8101	1 pce	BAS85	200mA 30V Schottky SOD 80
0 D 45	50.60.8101	1 pce	BAS85	200mA 30V Schottky SOD 80
0 D 46	50.60.8101	1 pce	BAS85	200mA 30V Schottky SOD 80
0 D 47	50.60.8101	1 pce	BAS85	200mA 30V Schottky SOD 80
0 D 48	50.60.8101	1 pce	BAS85	200mA 30V Schottky SOD 80
0 D 49	50.60.8101	1 pce	BAS85	200mA 30V Schottky SOD 80
0 D 50	50.60.8102	1 pce	SS34	3A 40V Schottky
0 D 51	50.60.8101	1 pce	BAS85	200mA 30V Schottky SOD 80
0 D 52	50.60.8101	1 pce	BAS85	200mA 30V Schottky SOD 80
0 D 53	50.60.8001	1 pce	4448	200mA 75V 4ns SOD 80
0 D 54	50.60.8001	1 pce	4448	200mA 75V 4ns SOD 80
0 D 55	50.60.8901	1 pce	BAV99	250mA 70V dual SOT 23
0 D 56	50.60.8901	1 pce	BAV99	250mA 70V dual SOT 23
0 D 57	50.60.8901	1 pce	BAV99	250mA 70V dual SOT 23
0 D 58	50.60.8901	1 pce	BAV99	250mA 70V dual SOT 23
0 D 59	50.60.8901	1 pce	BAV99	250mA 70V dual SOT 23
0 D 60	50.60.8901	1 pce	BAV99	250mA 70V dual SOT 23
0 D 61	50.60.8901	1 pce	BAV99	250mA 70V dual SOT 23
0 D 62	50.60.8901	1 pce	BAV99	250mA 70V dual SOT 23
0 D 63	50.60.8901	1 pce	BAV99	250mA 70V dual SOT 23
0 D 64	50.60.8901	1 pce	BAV99	250mA 70V dual SOT 23
0 D 65	50.60.8001	1 pce	4448	200mA 75V 4ns SOD 80
0 D 66	50.60.8001	1 pce	4448	200mA 75V 4ns SOD 80
0 D 67	50.60.8101	1 pce	BAS85	200mA 30V Schottky SOD 80
0 D 68	50.60.8101	1 pce	BAS85	200mA 30V Schottky SOD 80
0 D 69	50.60.8101	1 pce	BAS85	200mA 30V Schottky SOD 80
0 D 70	50.60.8101	1 pce	BAS85	200mA 30V Schottky SOD 80
0 D 71	50.60.8101	1 pce	BAS85	200mA 30V Schottky SOD 80
0 D 72	50.60.8101	1 pce	BAS85	200mA 30V Schottky SOD 80
0 D 73	50.60.8101	1 pce	BAS85	200mA 30V Schottky SOD 80
0 D 74	50.60.8101	1 pce	BAS85	200mA 30V Schottky SOD 80
0 D 75	50.60.8101	1 pce	BAS85	200mA 30V Schottky SOD 80
0 D 76	50.60.8001	1 pce	4448	200mA 75V 4ns SOD 80
0 D 77	50.60.8001	1 pce	4448	200mA 75V 4ns SOD 80
0 D 78	50.60.8003	1 pce	S1B	1000mA 100V DO 214AC
0 D 79	50.60.8901	1 pce	BAV99	250mA 70V dual SOT 23
0 D 80	50.60.8901	1 pce	BAV99	250mA 70V dual SOT 23
0 D 81	50.60.8901	1 pce	BAV99	250mA 70V dual SOT 23
0 D 82	50.60.8901	1 pce	BAV99	250mA 70V dual SOT 23
0 D 83	50.60.8901	1 pce	BAV99	250mA 70V dual SOT 23
0 D 84	50.60.8901	1 pce	BAV99	250mA 70V dual SOT 23
0 D 85	50.60.8901	1 pce	BAV99	250mA 70V dual SOT 23
0 D 86	50.60.8901	1 pce	BAV99	250mA 70V dual SOT 23
0 D 87	50.60.8901	1 pce	BAV99	250mA 70V dual SOT 23
0 D 88	50.60.8901	1 pce	BAV99	250mA 70V dual SOT 23
0 D 89	50.60.8901	1 pce	BAV99	250mA 70V dual SOT 23
0 D 90	50.60.8901	1 pce	BAV99	250mA 70V dual SOT 23
0 D 91	50.60.8101	1 pce	BAS85	200mA 30V Schottky SOD 80
0 D 92	50.60.8901	1 pce	BAV99	250mA 70V dual SOT 23
0 D 93	50.60.8101	1 pce	BAS85	200mA 30V Schottky SOD 80
0 D 94	50.60.8101	1 pce	BAS85	200mA 30V Schottky SOD 80
0 D 95	50.60.8101	1 pce	BAS85	200mA 30V Schottky SOD 80
0 D 96	50.60.8101	1 pce	BAS85	200mA 30V Schottky SOD 80
0 D 97	50.60.8001	1 pce	4448	200mA 75V 4ns SOD 80
0 D 98	50.60.8001	1 pce	4448	200mA 75V 4ns SOD 80
0 D 99	50.60.8101	1 pce	BAS85	200mA 30V Schottky SOD 80
0 D 100	50.60.8101	1 pce	BAS85	200mA 30V Schottky SOD 80
0 D 101	50.60.8101	1 pce	BAS85	200mA 30V Schottky SOD 80
0 D 102	50.60.8101	1 pce	BAS85	200mA 30V Schottky SOD 80
0 D 103	50.60.8101	1 pce	BAS85	200mA 30V Schottky SOD 80
0 D 104	50.60.8001	1 pce	4448	200mA 75V 4ns SOD 80
0 D 105	50.60.8001	1 pce	4448	200mA 75V 4ns SOD 80
0 D 106	50.60.8001	1 pce	4448	200mA 75V 4ns SOD 80
0 D 107	50.60.8102	1 pce	SS34	3A 40V Schottky
0 D 108	50.60.8001	1 pce	4448	200mA 75V 4ns SOD 80
0 D 109	50.60.8001	1 pce	4448	200mA 75V 4ns SOD 80
0 D 110	50.60.8001	1 pce	4448	200mA 75V 4ns SOD 80
0 D 111	50.60.8102	1 pce	SS34	3A 40V Schottky
0 D 112	50.60.8101	1 pce	BAS85	200mA 30V Schottky SOD 80
0 D 113	50.60.8101	1 pce	BAS85	200mA 30V Schottky SOD 80
0 D 114	50.60.8101	1 pce	BAS85	200mA 30V Schottky SOD 80
0 D 115	50.60.8101	1 pce	BAS85	200mA 30V Schottky SOD 80
0 D 116	50.60.8101	1 pce	BAS85	200mA 30V Schottky SOD 80

Idx. Pos.	Part No.	Qty.	Type/Val.	Description
0 D 117	50.60.8101	1 pce	BAS85	200mA 30V Schottky SOD 80
0 D 118	50.60.8101	1 pce	BAS85	200mA 30V Schottky SOD 80
0 D 119	50.60.8101	1 pce	BAS85	200mA 30V Schottky SOD 80
0 D 120	50.60.8101	1 pce	BAS85	200mA 30V Schottky SOD 80
0 D 121	50.60.8101	1 pce	BAS85	200mA 30V Schottky SOD 80
0 D 122	50.60.8101	1 pce	BAS85	200mA 30V Schottky SOD 80
0 D 123	50.60.8101	1 pce	BAS85	200mA 30V Schottky SOD 80
0 D 124	50.60.8101	1 pce	BAS85	200mA 30V Schottky SOD 80
0 D 125	50.60.8101	1 pce	BAS85	200mA 30V Schottky SOD 80
0 D 126	50.60.8101	1 pce	BAS85	200mA 30V Schottky SOD 80
0 D 127	50.60.8101	1 pce	BAS85	200mA 30V Schottky SOD 80
0 DL 1	50.60.9402	1 pce	yel	SMD LED yellow
0 DV 1	50.60.9011	1 pce	5V6	5%, 0.2W, SOT 23
0 IC 1	1.949.940.20	1 pce		SW159 DV115 (50.14.2102)
0 IC 2	50.62.0010	1 pce	90C385	LVDS Transmitter FPD
0 IC 3	50.61.9001	1 pce	LM933	Dual voltage comp. SO 8
0 IC 4	50.61.9001	1 pce	LM933	Dual voltage comp. SO 8
0 IC 5	50.61.0201	1 pce	TL062	Dual FET Op-Amp
0 IC 6	50.61.0201	1 pce	TL062	Dual FET Op-Amp
0 IC 7	50.62.0009	1 pce	TFF201	Panel link receiver
0 IC 8	50.61.8206	1 pce	ADG3257	Quad 2:1 Mux/Demux high speed
0 IC 9	50.61.8206	1 pce	ADG3257	Quad 2:1 Mux/Demux high speed
0 IC 10	50.62.1165	1 pce	74HC165	8bit shift register
0 IC 11	50.62.1165	1 pce	74HC165	8bit shift register
0 IC 12	50.62.1951	1 pce	74HC4051	8ch analog mux/demux
0 IC 13	50.62.1951	1 pce	74HC4051	8ch analog mux/demux
0 IC 14	50.62.1165	1 pce	74HC165	8bit shift register
0 IC 15	50.61.9001	1 pce	LM933	Dual voltage comp. SO 8
0 IC 16	50.62.1086	1 pce	74HC 86	Quad Zinpt EXOR
0 IC 17	50.61.9001	1 pce	LM933	Dual voltage comp. SO 8
0 IC 18		not used	1 pce	SW159 DV115 (50.14.2102)
0 IC 19	50.61.2004	1 pce	TPS 5103	Sync step down converter
0 IC 20	50.61.0201	1 pce	TL062	Dual FET Op-Amp
0 IC 21	50.61.0201	1 pce	TL062	Dual FET Op-Amp
0 IC 22	50.62.1165	1 pce	74HC165	8bit shift register
0 IC 23	50.62.1951	1 pce	74HC4051	8ch analog mux/demux
0 IC 24	50.62.1014	1 pce	74HC 14	Hex Schmitt trigger inverter
0 IC 25	50.62.1951	1 pce	74HC4051	8ch analog mux/demux
0 IC 26	50.62.1165	1 pce	74HC165	8bit shift register
0 IC 27	50.61.2007	1 pce	MAX1951	Step down switching regulator
0 IC 28	50.61.9001	1 pce	LM933	Dual voltage comp. SO 8
0 IC 29	50.61.9001	1 pce	LM933	Dual voltage comp. SO 8
0 IC 30	50.61.9001	1 pce	LM933	Dual voltage comp. SO 8
0 IC 31	50.61.9001	1 pce	LM933	Dual voltage comp. SO 8
0 IC 32	50.61.2003	1 pce	LM1117	Lin Reg 800mA adj
0 IC 33	50.62.1165	1 pce	74HC165	8bit shift register
0 IC 34	50.62.1165	1 pce	74HC165	8bit shift register
0 IC 35	50.62.1165	1 pce	74HC165	8bit shift register
0 IC 36	50.62.1165	1 pce	74HC165	8bit shift register
0 IC 37	50.61.0201	1 pce	TL062	Dual FET Op-Amp
0 IC 38	50.61.0201	1 pce	TL062	Dual FET Op-Amp
0 IC 39	1.949.911.20	1 pce		SW820 high (50.63.1305)
0 IC 40	1.949.910.20	1 pce		SW820 low (50.63.1305)
0 IC 41	50.65.0138	1 pce	74LVC138	3 to 8 line decoder
0 IC 42	50.63.4217	1 pce	EP1C3T	FPGA 2910 logic elements
0 IC 43	50.62.1165	1 pce	74HC165	8bit shift register
0 IC 44	50.62.1951	1 pce	74HC4051	8ch analog mux/demux
0 IC 45	50.62.1904	1 pce	74HCU04	Hex inverter unbuffered
0 IC 46	50.62.1951	1 pce	74HC4051	8ch analog mux/demux
0 IC 47	50.62.1165	1 pce	74HC165	8bit shift register
0 IC 48	50.61.9001	1 pce	LM933	Dual voltage comp. SO 8
0 IC 49	50.61.9001	1 pce	LM933	Dual voltage comp. SO 8
0 IC 50	50.65.0138	1 pce	74LVC138	3 to 8 line decoder
0 IC 51	50.65.0008	1 pce	74LVC08	Quad Zinp AND 3.3V
0 IC 52	50.63.0101	1 pce	C161U	MCU 16bit
0 IC 53	50.65.0974	1 pce	74LVC16374	16bit Latch
0 IC 54	50.65.0945	1 pce	74LVC16245	16bit Bus-transceiver
0 IC 55	50.65.0974	1 pce	74LVC16374	16bit Latch
0 IC 56	50.65.0974	1 pce	74LVC16374	16bit Latch
0 IC 57	50.65.0945	1 pce	74LVC16245	16bit Bus-transceiver
0 IC 58	50.63.2002	1 pce	MAX6358	Dual volt. uP supervisor
0 IC 59	50.61.2005	1 pce	LM2673ADJ	Step down converter
0 IC 60	50.61.2006	1 pce	L5970D	Step down switching regulator
1 IC 61	50.61.0201	1 pce	TL062	Dual FET Op-Amp
0 IC 62	50.10.0106	1 pce	TL431	Shunt regulator
0 IC 63	50.62.3245	1 pce	74HCT245	Octal bus transceiver
0 IC 64	50.62.3245	1 pce	74HCT245	Octal bus transceiver
0 IC 65	50.62.3245	1 pce	74HCT245	Octal bus transceiver
0 IC 66	50.62.3245	1 pce	74HCT245	Octal bus transceiver
0 IC 67	50.62.1595	1 pce	74HC595	8bit shift/output register
0 IC 68	50.62.1165	1 pce	74HC165	8bit shift register
0 IC 69	50.62.1165	1 pce	74HC165	8bit shift register
0 IC 70	50.62.1165	1 pce	74HC165	8bit shift register
0 IC 71	50.62.1165	1 pce	74HC165	8bit shift register
0 J 1	54.01.0020	1 pce		

Control PCB 1.949.820.20 (1)

Idx. Pos.	Part No.	Qty.	Type/Val.	Description	Idx. Pos.	Part No.	Qty.	Type/Val.	Description
0 MP 9	54.01.0021	1 pce	Jumper	0.63*0.63mm, Au	0 R 62	57.69.1085	1 pce	3k3	CF 5% 0603
0 MP 10	54.01.0021	1 pce	Jumper	0.63*0.63mm, Au	0 R 63	57.69.1073	1 pce	1k0	CF 5% 0603
0 P 1	54.60.0265	1 pce	25p	Connector 1.25mm pitch	0 R 64	57.69.1073	1 pce	1k0	CF 5% 0603
0 P 2	54.14.5508	1 pce	8p	PCB-Buchse gerade	0 R 65	57.69.1073	1 pce	1k0	CF 5% 0603
0 P 3	54.14.2052	1 pce	16p	Stecker gerade Au	0 R 66	57.69.1073	1 pce	1k0	CF 5% 0603
0 P 4	54.20.1005	1 pce	8p	RJ 45 Modular Jack top entry	0 R 67	57.69.1073	1 pce	1k0	CF 5% 0603
0 P 5	54.14.5512	1 pce	12p	PCB-Buchse gerade	0 R 68	57.69.1073	1 pce	1k0	CF 5% 0603
0 P 6	54.12.0729	1 pce	9p	Stecker winkel PCB	0 R 69	57.69.1073	1 pce	1k0	CF 5% 0603
0 P 7	54.10.3543	1 pce	23p	Stecker Flex-PCB top-contact	0 R 70	57.69.1073	1 pce	1k0	CF 5% 0603
0 P 8	54.10.3543	1 pce	23p	Stecker Flex-PCB top-contact	0 R 71	57.60.1564	1 pce	560k	MF, 1%, 0204, E24
0 P 9	not used	1 pce	16p	Stecker gerade Au	0 R 72	57.60.1564	1 pce	560k	MF, 1%, 0204, E24
0 P 10	54.10.3543	1 pce	23p	Stecker Flex-PCB top-contact	0 R 73	57.60.1153	1 pce	15k	MF, 1%, 0204, E24
0 P 11	54.12.0702	1 pce	2p	Stecker gerade PCB	0 R 74	57.60.1153	1 pce	15k	MF, 1%, 0204, E24
0 P 12	54.10.3543	1 pce	23p	Stecker Flex-PCB top-contact	0 R 75	57.69.1073	1 pce	1k0	CF 5% 0603
0 P 13	54.10.3543	1 pce	23p	Stecker Flex-PCB top-contact	0 R 76	57.69.1121	1 pce	100k	CF 5% 0603
0 P 14	54.10.3543	1 pce	23p	Stecker Flex-PCB top-contact	0 R 77	57.60.1102	1 pce	1k0	MF, 1%, 0204, E24
0 P 15	not used	1 pce	10p	1/20" Au, gerade, ohne Verrieg	0 R 78	57.69.1073	1 pce	1k0	CF 5% 0603
0 P 16	54.14.2141	1 pce	10p	1/20" Au, gerade, o Verr, 4mm	0 R 79	57.69.1121	1 pce	100k	CF 5% 0603
0 P 17	54.10.3543	1 pce	23p	Stecker Flex-PCB top-contact	0 R 80	57.60.1153	1 pce	15k	MF, 1%, 0204, E24
0 P 18	54.10.3543	1 pce	23p	Stecker Flex-PCB top-contact	0 R 81	57.60.1332	1 pce	3k3	MF, 1%, 0204, E24
0 P 19	54.14.2002	1 pce	16p	1/20" Au, gerade, ohne Verrieg	0 R 82	57.60.1105	1 pce	1M0	MF, 1%, 0204, E24
0 P 20	54.14.2055	1 pce	50p	Stecker gerade Au	0 R 83	57.60.1106	1 pce	10M	MF, 1%, 0204, E24
0 P 21	54.12.0703	1 pce	3p	Stecker gerade PCB	0 R 84	57.60.1105	1 pce	1M0	MF, 1%, 0204, E24
0 P 22	54.14.2051	1 pce	10p	Stecker gerade Au	0 R 85	57.60.1475	1 pce	4M7	MF, 1%, 0204, E24
0 P 23	54.10.3543	1 pce	23p	Stecker Flex-PCB top-contact	0 R 86	57.60.1153	1 pce	15k	MF, 1%, 0204, E24
0 P 24	54.14.2014	1 pce	40p	Winkelstecker Au	0 R 87	57.60.1683	1 pce	68k	MF, 1%, 0204, E24
0 P 25	54.10.3543	1 pce	23p	Stecker Flex-PCB top-contact	0 R 88	57.60.1561	1 pce	560R	MF, 1%, 0204, E24
0 P 26	54.14.2013	1 pce	26p	Winkelstecker Au	0 R 89	57.60.1104	1 pce	100k	MF, 1%, 0204, E24
0 Q 1	50.60.1001	1 pce	BC857B	PNP 45V 100mA SOT 23	0 R 90	not used	1 pce	4k7	MF, 1%, 0204, E24
0 Q 2	50.60.0001	1 pce	BC847B	NPN 45V 100mA SOT 23	0 R 91	57.60.1472	1 pce	4k7	MF, 1%, 0204, E24
0 Q 3	50.60.0001	1 pce	BC847B	NPN 45V 100mA SOT 23	0 R 92	57.60.1683	1 pce	68k	MF, 1%, 0204, E24
0 Q 4	50.60.2202	1 pce	FDB7030	PowerMOS N-Ch 30V, 50A	0 R 93	57.69.1073	1 pce	1k0	CF 5% 0603
0 Q 5	50.60.2202	1 pce	FDB7030	PowerMOS N-Ch 30V, 50A	0 R 94	57.69.1073	1 pce	1k0	CF 5% 0603
0 Q 6	50.60.0001	1 pce	BC847B	NPN 45V 100mA SOT 23	0 R 95	57.69.1073	1 pce	1k0	CF 5% 0603
0 Q 7	50.60.1001	1 pce	BC857B	PNP 45V 100mA SOT 23	0 R 96	57.69.1073	1 pce	1k0	CF 5% 0603
0 Q 8	50.60.1001	1 pce	BC857B	PNP 45V 100mA SOT 23	0 R 97	57.60.1684	1 pce	680k	MF, 1%, 0204, E24
0 Q 9	50.60.0001	1 pce	BC847B	NPN 45V 100mA SOT 23	0 R 98	57.60.1569	1 pce	5R6	MF, 1%, 0204, E24
0 Q 10	50.60.0001	1 pce	BC847B	NPN 45V 100mA SOT 23	0 R 99	57.60.1684	1 pce	680k	MF, 1%, 0204, E24
0 Q 11	50.60.0001	1 pce	BC847B	NPN 45V 100mA SOT 23	0 R 100	57.69.1073	1 pce	1k0	CF 5% 0603
0 Q 12	50.60.0001	1 pce	BC847B	NPN 45V 100mA SOT 23	0 R 101	57.69.1073	1 pce	1k0	CF 5% 0603
0 Q 13	50.60.7001	1 pce	BT138B	Triac 8A, 600V, SOT 404	0 R 102	57.69.1073	1 pce	1k0	CF 5% 0603
0 Q 14	50.60.0001	1 pce	BC847B	NPN 45V 100mA SOT 23	0 R 103	57.69.1073	1 pce	1k0	CF 5% 0603
0 R 1	57.60.1123	1 pce	12k	MF, 1%, 0204, E24	0 R 104	not used	1 pce	10k	MF, 1%, 0204, E24
0 R 2	57.60.1123	1 pce	12k	MF, 1%, 0204, E24	0 R 105	57.60.1335	1 pce	3M3	MF, 1%, 0204, E24
0 R 3	57.60.1123	1 pce	12k	MF, 1%, 0204, E24	0 R 106	57.69.1121	1 pce	100k	CF 5% 0603
0 R 4	57.60.1472	1 pce	4k7	MF, 1%, 0204, E24	0 R 107	57.60.1563	1 pce	56k	MF, 1%, 0204, E24
0 R 5	57.69.1085	1 pce	3k3	CF 5% 0603	0 R 108	57.60.1223	1 pce	22k	MF, 1%, 0204, E24
0 R 6	57.69.1085	1 pce	3k3	CF 5% 0603	0 R 109	57.60.1103	1 pce	10k	MF, 1%, 0204, E24
0 R 7	57.60.1124	1 pce	120k	MF, 1%, 0204, E24	0 R 110	57.60.1335	1 pce	3M3	MF, 1%, 0204, E24
0 R 8	57.60.1123	1 pce	12k	MF, 1%, 0204, E24	0 R 111	57.69.1097	1 pce	10k	CF 5% 0603
0 R 9	57.60.1153	1 pce	15k	MF, 1%, 0204, E24	0 R 112	not used	1 pce	4k7	MF, 1%, 0204, E24
0 R 10	57.60.1102	1 pce	1k0	MF, 1%, 0204, E24	0 R 113	57.60.1472	1 pce	4k7	MF, 1%, 0204, E24
0 R 11	57.60.1103	1 pce	10k	MF, 1%, 0204, E24	0 R 114	57.69.1121	1 pce	100k	CF 5% 0603
0 R 12	57.69.1037	1 pce	33R	CF 5% 0603	0 R 115	57.60.1333	1 pce	33k	MF, 1%, 0204, E24
0 R 13	57.60.1223	1 pce	22k	MF, 1%, 0204, E24	0 R 116	not used	1 pce	4k7	MF, 1%, 0204, E24
0 R 14	57.60.1332	1 pce	3k3	MF, 1%, 0204, E24	0 R 117	57.69.1000	1 pce	0R0	CF 5% 0603
0 R 15	57.60.1682	1 pce	68k	MF, 1%, 0204, E24	0 R 118	57.60.1331	1 pce	330R	MF, 1%, 0204, E24
0 R 16	57.60.1103	1 pce	10k	MF, 1%, 0204, E24	0 R 119	57.69.1097	1 pce	10k	CF 5% 0603
0 R 17	57.60.1472	1 pce	4k7	MF, 1%, 0204, E24	0 R 120	57.60.1152	1 pce	1k5	MF, 1%, 0204, E24
0 R 18	57.69.1097	1 pce	10k	CF 5% 0603	0 R 121	57.60.1152	1 pce	1k5	MF, 1%, 0204, E24
0 R 19	not used	1 pce	3k3	CF 5% 0603	0 R 122	57.60.1152	1 pce	1k5	MF, 1%, 0204, E24
0 R 20	57.69.1097	1 pce	10k	CF 5% 0603	0 R 123	57.60.1152	1 pce	1k5	MF, 1%, 0204, E24
0 R 21	57.69.1097	1 pce	10k	CF 5% 0603	0 R 124	57.69.1073	1 pce	1k0	CF 5% 0603
0 R 22	57.69.1097	1 pce	10k	CF 5% 0603	0 R 125	57.69.1073	1 pce	1k0	CF 5% 0603
0 R 23	57.69.1097	1 pce	10k	CF 5% 0603	0 R 126	57.69.1073	1 pce	1k0	CF 5% 0603
0 R 24	57.69.1097	1 pce	10k	CF 5% 0603	0 R 127	57.69.1073	1 pce	1k0	CF 5% 0603
0 R 25	57.69.1097	1 pce	10k	CF 5% 0603	0 R 128	57.69.1073	1 pce	1k0	CF 5% 0603
0 R 26	57.69.1097	1 pce	10k	CF 5% 0603	0 R 129	57.69.1073	1 pce	1k0	CF 5% 0603
0 R 27	57.69.1097	1 pce	10k	CF 5% 0603	0 R 130	57.69.1073	1 pce	1k0	CF 5% 0603
0 R 28	57.60.1183	1 pce	18k	MF, 1%, 0204, E24	0 R 131	57.69.1073	1 pce	1k0	CF 5% 0603
0 R 29	57.60.1103	1 pce	10k	MF, 1%, 0204, E24	0 R 132	57.60.1332	1 pce	3k3	MF, 1%, 0204, E24
0 R 30	57.60.1472	1 pce	4k7	MF, 1%, 0204, E24	0 R 133	57.60.1102	1 pce	1k0	MF, 1%, 0204, E24
0 R 31	57.60.1103	1 pce	10k	MF, 1%, 0204, E24	0 R 134	57.60.1101	1 pce	100R	MF, 1%, 0204, E24
0 R 32	57.60.1560	1 pce	56R	MF, 1%, 0204, E24	0 R 135	57.60.1102	1 pce	1k0	MF, 1%, 0204, E24
0 R 33	57.60.1332	1 pce	3k3	MF, 1%, 0204, E24	0 R 136	57.60.1104	1 pce	100k	MF, 1%, 0204, E24
0 R 34	57.60.1123	1 pce	12k	MF, 1%, 0204, E24	0 R 137	57.60.1122	1 pce	1k2	MF, 1%, 0204, E24
0 R 35	57.60.1103	1 pce	10k	MF, 1%, 0204, E24	0 R 138	57.60.1222	1 pce	2k2	MF, 1%, 0204, E24
0 R 36	57.60.1153	1 pce	15k	MF, 1%, 0204, E24	0 R 139	57.60.1123	1 pce	12k	MF, 1%, 0204, E24
0 R 37	57.60.1473	1 pce	47k	MF, 1%, 0204, E24	0 R 140	57.60.1152	1 pce	1k5	MF, 1%, 0204, E24
0 R 38	57.69.1085	1 pce	3k3	CF 5% 0603	0 R 141	57.60.1152	1 pce	1k5	MF, 1%, 0204, E24
0 R 39	57.69.1085	1 pce	3k3	CF 5% 0603	0 R 142	57.60.1392	1 pce	3k9	MF, 1%, 0204, E24
0 R 40	not used	1 pce	3k3	CF 5% 0603	0 R 143	57.60.1222	1 pce	2k2	MF, 1%, 0204, E24
0 R 41	57.69.1085	1 pce	3k3	CF 5% 0603	0 R 144	57.60.1333	1 pce	33k	MF, 1%, 0204, E24
0 R 42	57.60.1223	1 pce	22k	MF, 1%, 0204, E24	0 R 145	57.60.1152	1 pce	1k5	MF, 1%, 0204, E24
0 R 43	57.60.1103	1 pce	10k	MF, 1%, 0204, E24	0 R 146	57.60.1333	1 pce	33k	MF, 1%, 0204, E24
0 R 44	57.60.1153	1 pce	15k	MF, 1%, 0204, E24	0 R 147	57.60.1102	1 pce	1k0	MF, 1%, 0204, E24
0 R 45	57.60.1103	1 pce	10k	MF, 1%, 0204, E24	0 R 148	57.60.1152	1 pce	1k5	MF, 1%, 0204, E24
0 R 46	57.60.1103	1 pce	10k	MF, 1%, 0204, E24	0 R 149	57.69.1073	1 pce	1k0	CF 5% 0603
0 R 47	57.60.1104	1 pce	100k	MF, 1%, 0204, E24	0 R 150	57.69.1073	1 pce	1k0	CF 5% 0603
0 R 48	57.60.1103	1 pce	10k	MF, 1%, 0204, E24	0 R 151	57.69.1073	1 pce	1k0	CF 5% 0603
0 R 49	57.60.1153	1 pce	15k	MF, 1%, 0204, E24	0 R 152	57.69.1073	1 pce	1k0	CF 5% 0603
0 R 50	57.60.1393	1 pce	39k	MF, 1%, 0204, E24	0 R 153	57.69.1073	1 pce	1k0	CF 5% 0603
0 R 51	57.60.1103	1 pce	10k	MF, 1%, 0204, E24	0 R 154	57.69.1073	1 pce	1k0	CF 5% 0603
0 R 52	57.60.1224	1 pce	220k	MF, 1%, 0204, E24	0 R 155	57.69.1073	1 pce	1k0	CF 5% 0603
0 R 53	not used	1 pce	3k3	CF 5% 0603	0 R 156	57.69.1073	1 pce	1k0	CF 5% 0603
0 R 54	57.69.1085	1 pce	3k3	CF 5% 0603	0 R 157	57.69.1085	1 pce	3k3	CF 5% 0603
0 R 55	57.69.1085	1 pce	3k3	CF 5% 0603	0 R 158	57.60.1100	1 pce	10R	MF, 1%, 0204, E24
0 R 56	not used	1 pce	3k3	CF 5% 0603	0 R 159	57.69.1085	1 pce	3k3	CF 5% 0603
0 R 57	57.69.1085	1 pce	3k3	CF 5% 0603	0 R 160	57.60.1564	1 pce	560k	MF, 1%, 0204, E24
0 R 58	not used	1 pce	3k3	CF 5% 0603	0 R 161	57.60.1564	1 pce	560k	MF, 1%, 0204, E24
0 R 59	57.69.1085	1 pce	3k3	CF 5% 0603	0 R 162	57			

Control PCB 1.949.820.20 (1)

Idx. Pos.	Part No.	Qty.	Type/Val.	Description
0 R 165	57.60.1153	1 pce	15k	MF, 1%, 0204, E24
0 R 166	57.69.1073	1 pce	1k0	CF 5% 0603
0 R 167	57.69.1121	1 pce	100k	CF 5% 0603
0 R 168	57.60.1335	1 pce	3M3	MF, 1%, 0204, E24
0 R 169	57.60.1123	1 pce	12k	MF, 1%, 0204, E24
0 R 170	57.69.1097	1 pce	10k	CF 5% 0603
0 R 171	57.69.1097	1 pce	10k	CF 5% 0603
0 R 172	57.60.1333	1 pce	33k	MF, 1%, 0204, E24
0 R 173	57.69.1073	1 pce	1k0	CF 5% 0603
0 R 174	57.69.1121	1 pce	100k	CF 5% 0603
0 R 175	57.60.1153	1 pce	15k	MF, 1%, 0204, E24
0 R 176	57.60.1153	1 pce	15k	MF, 1%, 0204, E24
0 R 177	57.60.1683	1 pce	68k	MF, 1%, 0204, E24
0 R 178	57.60.1222	1 pce	2k2	MF, 1%, 0204, E24
0 R 179	57.60.1683	1 pce	68k	MF, 1%, 0204, E24
0 R 180	57.60.1684	1 pce	680k	MF, 1%, 0204, E24
0 R 181	57.69.1097	1 pce	10k	CF 5% 0603
0 R 182	57.60.1684	1 pce	680k	MF, 1%, 0204, E24
0 R 183	57.69.1097	1 pce	10k	CF 5% 0603
0 R 184	57.60.1822	1 pce	8k2	MF, 1%, 0204, E24
0 R 185	57.69.1097	1 pce	10k	CF 5% 0603
0 R 186	57.60.1335	1 pce	3M3	MF, 1%, 0204, E24
0 R 187	57.69.1121	1 pce	100k	CF 5% 0603
0 R 188	57.60.1102	1 pce	1k0	MF, 1%, 0204, E24
0 R 189	57.69.1145	1 pce	1M0	CF 5% 0603
0 R 190	57.60.1822	1 pce	8k2	MF, 1%, 0204, E24
0 R 191	57.69.1097	1 pce	10k	CF 5% 0603
0 R 192	57.69.1097	1 pce	10k	CF 5% 0603
0 R 193	57.60.1335	1 pce	3M3	MF, 1%, 0204, E24
0 R 194	57.60.1103	1 pce	10k	MF, 1%, 0204, E24
0 R 195	57.60.1683	1 pce	68k	MF, 1%, 0204, E24
0 R 196	57.60.1335	1 pce	3M3	MF, 1%, 0204, E24
0 R 197	57.60.1335	1 pce	3M3	MF, 1%, 0204, E24
0 R 198	57.60.1564	1 pce	560k	MF, 1%, 0204, E24
0 R 199	57.60.1564	1 pce	560k	MF, 1%, 0204, E24
0 R 200	57.69.1121	1 pce	100k	CF 5% 0603
0 R 201	57.69.1097	1 pce	10k	CF 5% 0603
0 R 202	57.60.1221	1 pce	220R	MF, 1%, 0204, E24
0 R 203	57.60.1822	1 pce	8k2	MF, 1%, 0204, E24
0 R 204	57.69.1097	1 pce	10k	CF 5% 0603
0 R 205	57.69.1097	1 pce	10k	CF 5% 0603
0 R 206	57.69.1097	1 pce	10k	CF 5% 0603
0 R 207	57.60.1000	1 pce	0R0	MF, 0204
0 R 208	not used	1 pce	0R0	MF, 0204
0 R 209	57.69.1097	1 pce	10k	CF 5% 0603
0 R 210	57.60.1472	1 pce	4k7	MF, 1%, 0204, E24
0 R 211	57.69.1097	1 pce	10k	CF 5% 0603
0 R 212	57.69.1097	1 pce	10k	CF 5% 0603
0 R 213	57.60.1102	1 pce	1k0	MF, 1%, 0204, E24
0 R 214	57.60.1222	1 pce	2k2	MF, 1%, 0204, E24
0 R 215	57.60.1000	1 pce	0R0	MF, 0204
0 R 216	not used	1 pce	0R0	MF, 0204
0 R 217	57.69.1097	1 pce	10k	CF 5% 0603
0 R 218	57.60.1152	1 pce	1k5	MF, 1%, 0204, E24
0 R 219	57.69.1097	1 pce	10k	CF 5% 0603
0 R 220	57.60.1152	1 pce	1k5	MF, 1%, 0204, E24
0 R 221	57.60.1152	1 pce	1k5	MF, 1%, 0204, E24
0 R 222	57.60.1222	1 pce	2k2	MF, 1%, 0204, E24
0 R 223	57.60.1102	1 pce	1k0	MF, 1%, 0204, E24
0 R 224	57.69.1097	1 pce	10k	CF 5% 0603
0 R 225	57.60.1152	1 pce	1k5	MF, 1%, 0204, E24
0 R 226	57.69.1097	1 pce	10k	CF 5% 0603
0 R 227	57.69.1085	1 pce	3k3	CF 5% 0603
0 R 228	57.60.1100	1 pce	10R	MF, 1%, 0204, E24
0 R 229	57.69.1085	1 pce	3k3	CF 5% 0603
0 R 230	57.60.1564	1 pce	560k	MF, 1%, 0204, E24
0 R 231	57.60.1222	1 pce	2k2	MF, 1%, 0204, E24
0 R 232	57.60.1564	1 pce	560k	MF, 1%, 0204, E24
0 R 233	57.60.1153	1 pce	15k	MF, 1%, 0204, E24
0 R 234	57.60.1102	1 pce	1k0	MF, 1%, 0204, E24
0 R 235	57.69.1145	1 pce	1M0	CF 5% 0603
0 R 236	57.60.1153	1 pce	15k	MF, 1%, 0204, E24
0 R 237	57.69.1073	1 pce	1k0	CF 5% 0603
0 R 238	57.69.1073	1 pce	1k0	CF 5% 0603
0 R 239	57.69.1073	1 pce	1k0	CF 5% 0603
0 R 240	57.69.1073	1 pce	1k0	CF 5% 0603
0 R 241	57.69.1097	1 pce	10k	CF 5% 0603
0 R 242	57.69.1097	1 pce	10k	CF 5% 0603
0 R 243	57.60.1101	1 pce	100R	MF, 1%, 0204, E24
0 R 244	57.69.1073	1 pce	1k0	CF 5% 0603
0 R 245	57.69.1121	1 pce	100k	CF 5% 0603
0 R 246	57.69.1073	1 pce	1k0	CF 5% 0603
0 R 247	57.69.1073	1 pce	1k0	CF 5% 0603
0 R 248	57.69.1073	1 pce	1k0	CF 5% 0603
0 R 249	57.69.1073	1 pce	1k0	CF 5% 0603
0 R 250	57.60.1103	1 pce	10k	MF, 1%, 0204, E24
0 R 251	57.60.1103	1 pce	10k	MF, 1%, 0204, E24
0 R 252	57.69.1073	1 pce	1k0	CF 5% 0603
0 R 253	57.69.1121	1 pce	100k	CF 5% 0603
0 R 254	57.60.1102	1 pce	1k0	MF, 1%, 0204, E24
0 R 255	57.69.1097	1 pce	10k	CF 5% 0603
0 R 256	57.60.1000	1 pce	0R0	MF, 0204
0 R 257	57.60.1153	1 pce	15k	MF, 1%, 0204, E24
0 R 258	57.60.1222	1 pce	2k2	MF, 1%, 0204, E24
0 R 259	57.69.1097	1 pce	10k	CF 5% 0603
0 R 260	57.60.1102	1 pce	1k0	MF, 1%, 0204, E24
0 R 261	57.69.1097	1 pce	10k	CF 5% 0603
0 R 262	57.60.1153	1 pce	15k	MF, 1%, 0204, E24
0 R 263	57.60.1683	1 pce	68k	MF, 1%, 0204, E24
0 R 264	57.69.1097	1 pce	10k	CF 5% 0603
0 R 265	57.60.1560	1 pce	56R	MF, 1%, 0204, E24
0 R 266	57.60.1683	1 pce	68k	MF, 1%, 0204, E24
0 R 267	57.60.1684	1 pce	680k	MF, 1%, 0204, E24

Idx. Pos.	Part No.	Qty.	Type/Val.	Description
0 R 268	57.60.1000	1 pce	0R0	MF, 0204
0 R 269	57.60.1684	1 pce	680k	MF, 1%, 0204, E24
0 R 270	57.60.1000	1 pce	0R0	MF, 0204
0 R 271	57.60.1101	1 pce	100R	MF, 1%, 0204, E24
0 R 272	57.69.1121	1 pce	100k	CF 5% 0603
0 R 273	57.69.1097	1 pce	10k	CF 5% 0603
0 R 274	57.69.1097	1 pce	10k	CF 5% 0603
0 R 275	57.69.1145	1 pce	1M0	CF 5% 0603
0 R 276	57.69.1097	1 pce	10k	CF 5% 0603
0 R 277	57.60.1335	1 pce	3M3	MF, 1%, 0204, E24
0 R 278	57.69.1097	1 pce	10k	CF 5% 0603
0 R 279	57.60.1335	1 pce	3M3	MF, 1%, 0204, E24
0 R 280	57.69.1073	1 pce	1k0	CF 5% 0603
0 R 281	57.69.1073	1 pce	1k0	CF 5% 0603
0 R 282	57.69.1097	1 pce	10k	CF 5% 0603
0 R 283	57.69.1085	1 pce	3k3	CF 5% 0603
0 R 284	57.69.1121	1 pce	100k	CF 5% 0603
0 R 285	57.60.1000	1 pce	0R0	MF, 0204
0 R 286	57.60.1000	1 pce	0R0	MF, 0204
0 R 287	57.60.1000	1 pce	0R0	MF, 0204
0 R 288	57.60.1000	1 pce	0R0	MF, 0204
0 R 289	57.69.1085	1 pce	3k3	CF 5% 0603
0 R 290	57.69.1085	1 pce	3k3	CF 5% 0603
0 R 291	57.60.1222	1 pce	2k2	MF, 1%, 0204, E24
0 R 292	57.60.1102	1 pce	1k0	MF, 1%, 0204, E24
0 R 293	57.69.1085	1 pce	3k3	CF 5% 0603
0 R 294	57.69.1097	1 pce	10k	CF 5% 0603
0 R 295	57.69.1097	1 pce	10k	CF 5% 0603
0 R 296	not used	1 pce	0R0	MF, 0204
0 R 297	57.69.1085	1 pce	3k3	CF 5% 0603
0 R 298	57.69.1097	1 pce	10k	CF 5% 0603
0 R 299	57.69.1097	1 pce	10k	CF 5% 0603
0 R 300	57.69.1085	1 pce	3k3	CF 5% 0603
0 R 301	not used	1 pce	0R0	MF, 0204
0 R 302	57.69.1097	1 pce	10k	CF 5% 0603
0 R 303	57.69.1097	1 pce	10k	CF 5% 0603
0 R 304	57.69.1097	1 pce	10k	CF 5% 0603
0 R 305	57.69.1097	1 pce	10k	CF 5% 0603
0 R 306	57.60.1220	1 pce	22R	MF, 1%, 0204, E24
0 R 307	57.69.1097	1 pce	10k	CF 5% 0603
0 R 308	57.60.1220	1 pce	22R	MF, 1%, 0204, E24
0 R 309	57.69.1097	1 pce	10k	CF 5% 0603
0 R 310	not used	1 pce	10k	CF 5% 0603
0 R 311	57.60.1152	1 pce	1k5	MF, 1%, 0204, E24
0 R 312	57.69.1097	1 pce	10k	CF 5% 0603
0 R 313	57.69.1097	1 pce	10k	CF 5% 0603
0 R 314	57.69.1097	1 pce	10k	CF 5% 0603
0 R 315	57.69.1097	1 pce	10k	CF 5% 0603
0 R 316	57.69.1097	1 pce	10k	CF 5% 0603
0 R 317	57.69.1097	1 pce	10k	CF 5% 0603
0 R 318	57.69.1097	1 pce	10k	CF 5% 0603
0 R 319	57.69.1097	1 pce	10k	CF 5% 0603
0 R 320	57.69.1097	1 pce	10k	CF 5% 0603
0 R 321	57.69.1097	1 pce	10k	CF 5% 0603
0 R 322	57.69.1085	1 pce	3k3	CF 5% 0603
0 R 323	57.69.1097	1 pce	10k	CF 5% 0603
0 R 324	not used	1 pce	22R	MF, 1%, 0204, E24
0 R 325	57.60.1561	1 pce	560R	MF, 1%, 0204, E24
0 R 326	57.60.1220	1 pce	22R	MF, 1%, 0204, E24
0 R 327	57.60.1330	1 pce	33R	MF, 1%, 0204, E24
0 R 328	57.69.1097	1 pce	10k	CF 5% 0603
0 R 329	57.69.1085	1 pce	3k3	CF 5% 0603
0 R 330	57.60.1103	1 pce	10k	MF, 1%, 0204, E24
0 R 331	57.60.1332	1 pce	3k3	MF, 1%, 0204, E24
0 R 332	57.60.1103	1 pce	10k	MF, 1%, 0204, E24
0 R 333	57.60.1000	1 pce	0R0	MF, 0204
0 R 334	57.60.1560	1 pce	56R	MF, 1%, 0204, E24
0 R 335	57.60.1104	1 pce	100k	MF, 1%, 0204, E24
0 R 336	57.60.1222	1 pce	2k2	MF, 1%, 0204, E24
0 R 337	57.60.1103	1 pce	10k	MF, 1%, 0204, E24
0 R 338	57.60.1560	1 pce	56R	MF, 1%, 0204, E24
0 R 339	57.60.1472	1 pce	4k7	MF, 1%, 0204, E24
0 R 340	57.60.1223	1 pce	22k	MF, 1%, 0204, E24
0 R 341	57.60.1103	1 pce	10k	MF, 1%, 0204, E24
0 R 342	57.60.1332	1 pce	3k3	MF, 1%, 0204, E24
0 R 343	57.60.1104	1 pce	100k	MF, 1%, 0204, E24
0 R 344	57.60.1104	1 pce	100k	MF, 1%, 0204, E24
0 R 345	57.60.1104	1 pce	100k	MF, 1%, 0204, E24
0 R 346	57.60.1560	1 pce	56R	MF, 1%, 0204, E24
0 R 347	57.60.1103	1 pce	10k	MF, 1%, 0204, E24
0 R 348	57.60.1103	1 pce	10k	MF, 1%, 0204, E24
0 R 349	57.60.1223	1 pce	22k	MF, 1%, 0204, E24
0 R 350	57.60.1153	1 pce	15k	MF, 1%, 0204, E24
0 R 351	57.60.1560	1 pce	56R	MF, 1%, 0204, E24
0 R 352	57.60.1560	1 pce	56R	MF, 1%, 0204, E24
0 R 353	57.60.1224	1 pce	220k	MF, 1%, 0204, E24
0 R 354	57.60.1473	1 pce	47k	MF, 1%, 0204, E24
0 R 355	57.60.1104			

Control PCB 1.949.820.20 (1)

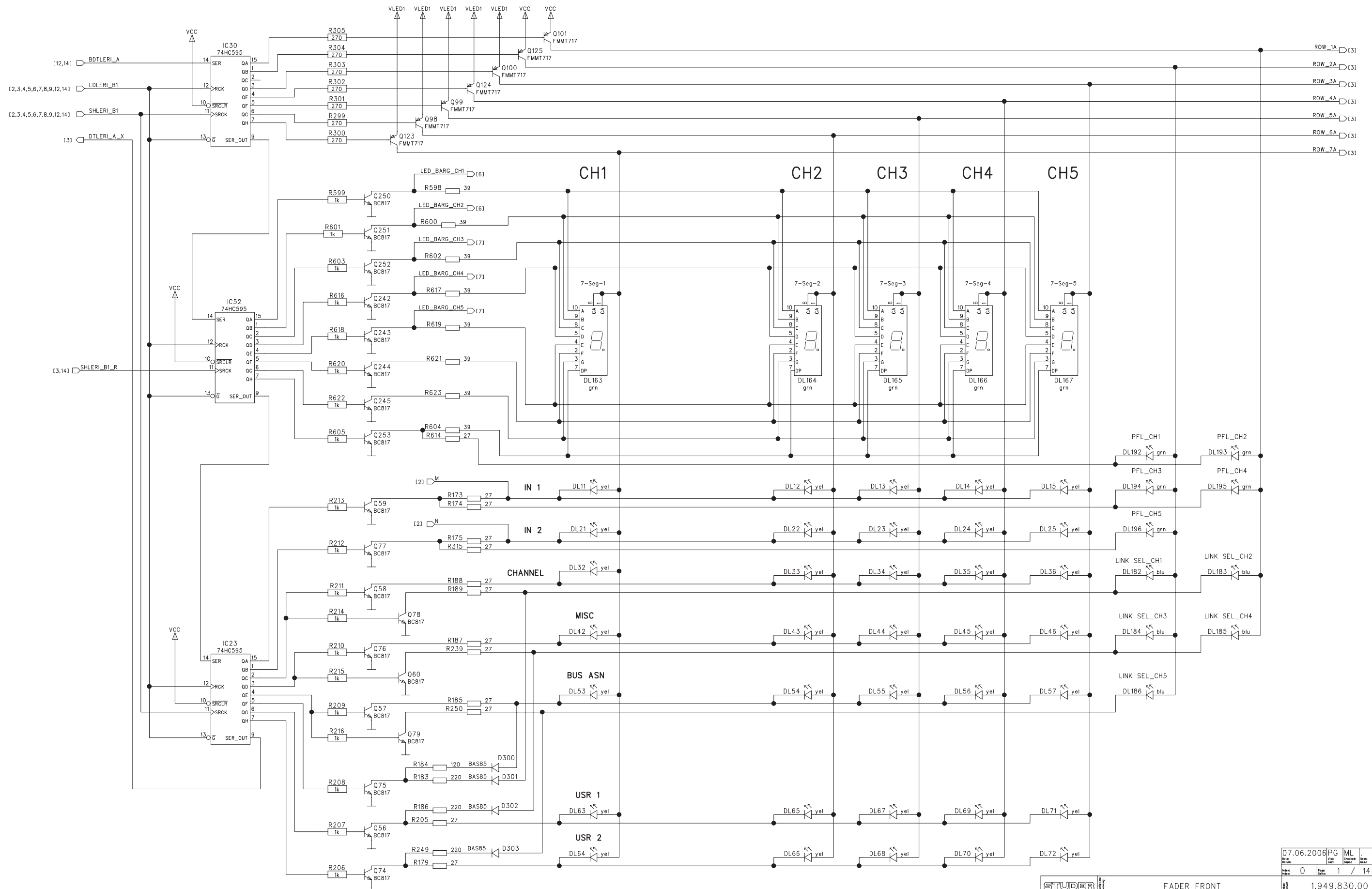
Idx. Pos.	Part No.	Qty.	Type/Val.	Description
0 R 371	57.69.1097	1 pce	10k	CF 5% 0603
0 R 372	57.69.1097	1 pce	10k	CF 5% 0603
0 R 373	57.69.1097	1 pce	10k	CF 5% 0603
0 R 374	57.69.1121	1 pce	100k	CF 5% 0603
0 R 375	57.69.1097	1 pce	10k	CF 5% 0603
0 R 376	57.69.1121	1 pce	100k	CF 5% 0603
0 R 377	57.69.1085	1 pce	3k3	CF 5% 0603
0 R 378	57.69.1121	1 pce	100k	CF 5% 0603
0 R 379	57.69.1121	1 pce	100k	CF 5% 0603
0 R 380	57.69.1121	1 pce	100k	CF 5% 0603
0 R 381	57.69.1121	1 pce	100k	CF 5% 0603
0 R 382	57.69.1085	1 pce	3k3	CF 5% 0603
0 R 383	57.69.1121	1 pce	100k	CF 5% 0603
0 R 384	57.69.1121	1 pce	100k	CF 5% 0603
0 R 385	57.69.1121	1 pce	100k	CF 5% 0603
0 R 386	57.69.1097	1 pce	10k	CF 5% 0603
0 R 387	57.69.1121	1 pce	100k	CF 5% 0603
0 R 388	57.69.1121	1 pce	100k	CF 5% 0603
0 R 389	57.69.1121	1 pce	100k	CF 5% 0603
0 R 390	57.69.1121	1 pce	100k	CF 5% 0603
0 R 391	57.69.1121	1 pce	100k	CF 5% 0603
0 R 392	57.69.1097	1 pce	10k	CF 5% 0603
0 R 393	57.69.1121	1 pce	100k	CF 5% 0603
0 R 394	57.69.1121	1 pce	100k	CF 5% 0603
0 R 395	57.69.1097	1 pce	10k	CF 5% 0603
0 R 396	57.69.1121	1 pce	100k	CF 5% 0603
0 R 397	57.69.1121	1 pce	100k	CF 5% 0603
0 R 398	57.69.1121	1 pce	100k	CF 5% 0603
0 R 399	57.69.1097	1 pce	10k	CF 5% 0603
0 R 400	57.69.1121	1 pce	100k	CF 5% 0603
0 R 401	57.69.1121	1 pce	100k	CF 5% 0603
0 R 402	57.69.1121	1 pce	100k	CF 5% 0603
0 R 403	57.69.1097	1 pce	10k	CF 5% 0603
0 S 1	55.60.0201	1 pce	1*s	SMD Tactswitch
0 S 2	55.12.1131	1 pce	N=16	Rotary Switch, vertical
0 XIC 1	53.03.0166	1 pce	8p	DIL-socket 0.3"
0 XIC 18	not used	1 pce	8p	DIL-socket 0.3"
0 XIC 39	53.03.2232	1 pce	32p	PLCC-Socket
0 XIC 40	53.03.2232	1 pce	32p	PLCC-Socket
0 Y 1	89.60.1010	1 pce	8.000MHz	SMD Quartz 8 MHz
0 Y 2	89.60.1008	1 pce	3.6864MHz	SMD Quartz 3.6864 MHz

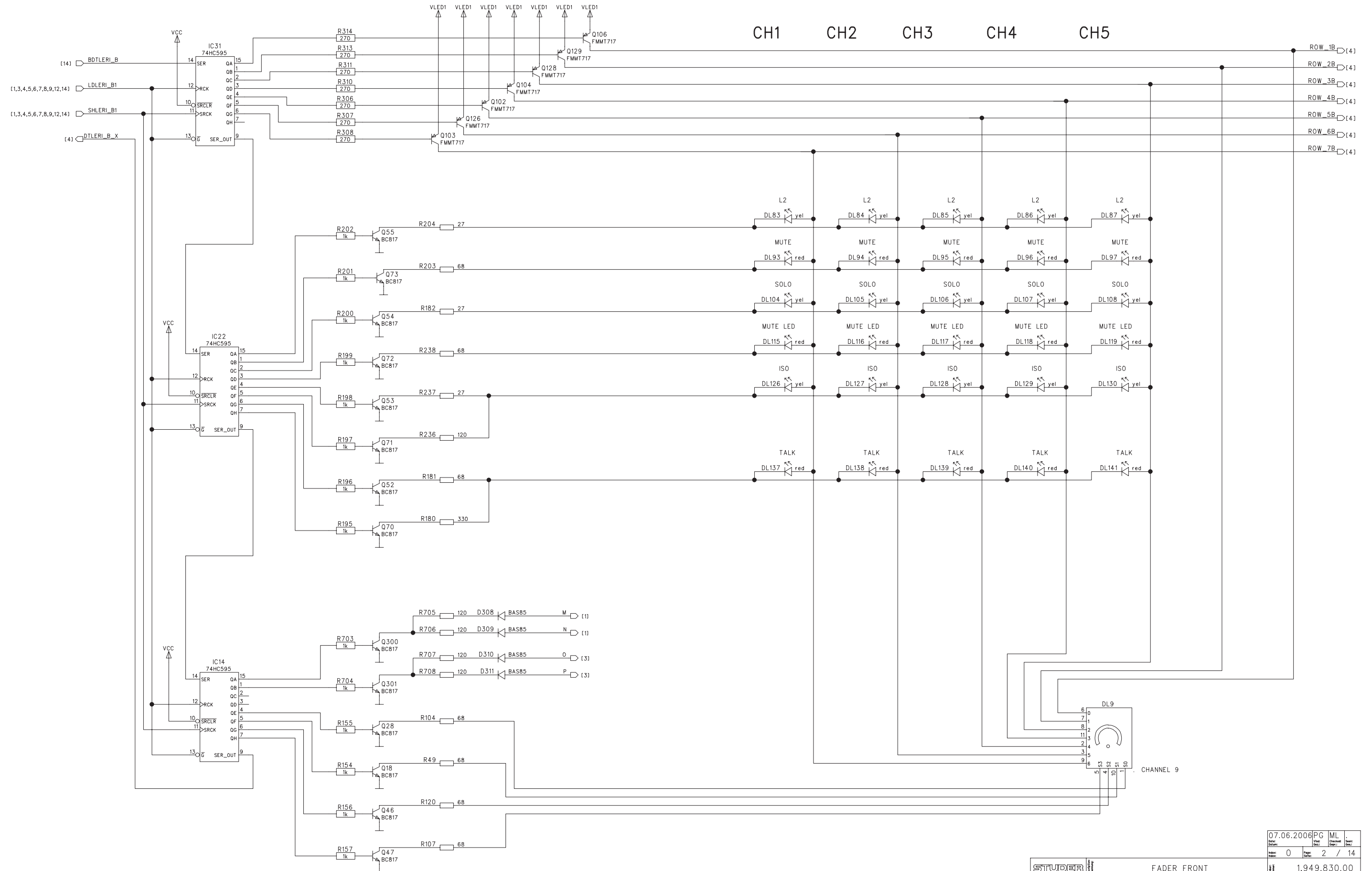
Idx. Pos.	Part No.	Qty.	Type/Val.	Description
-----------	----------	------	-----------	-------------

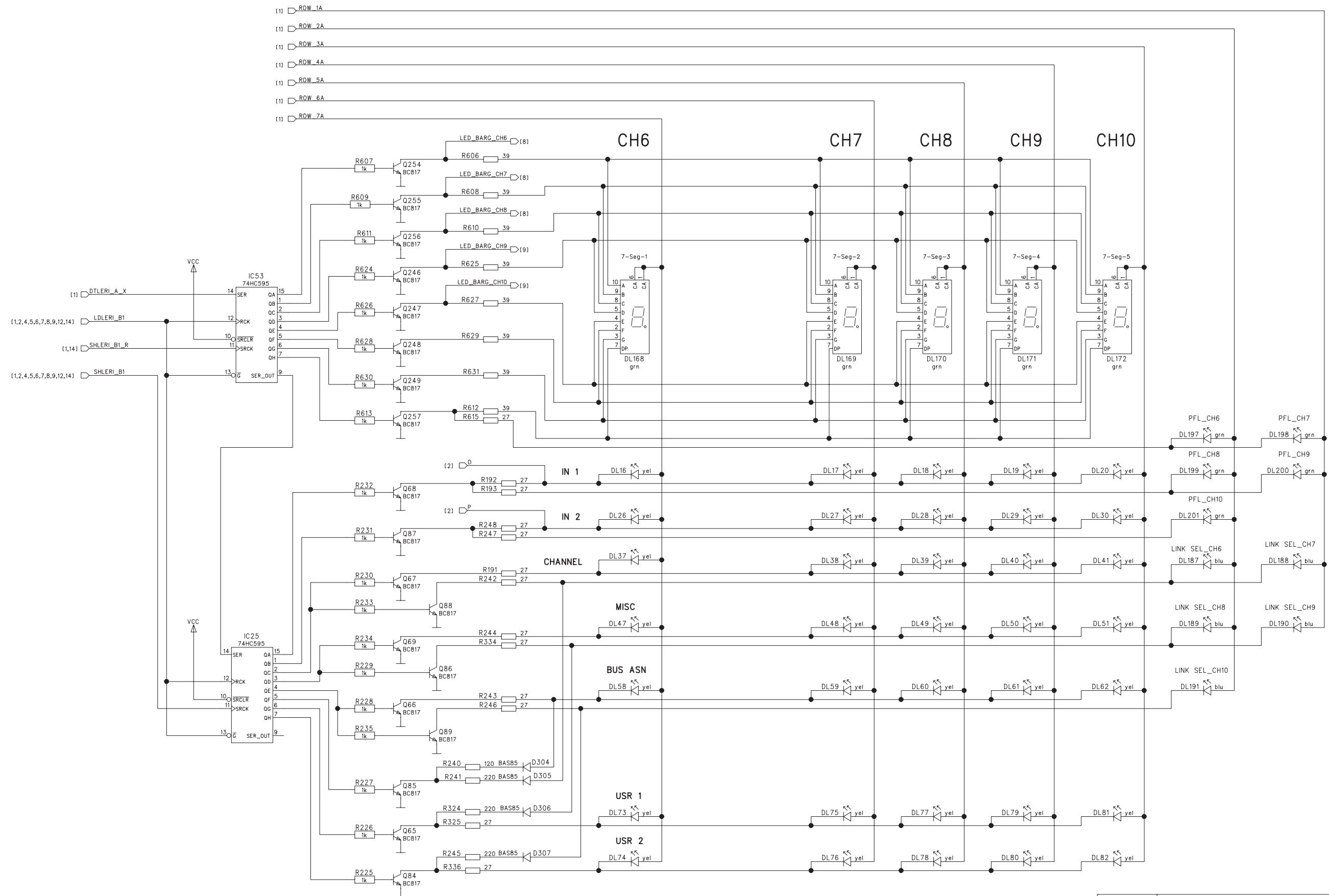
End of List

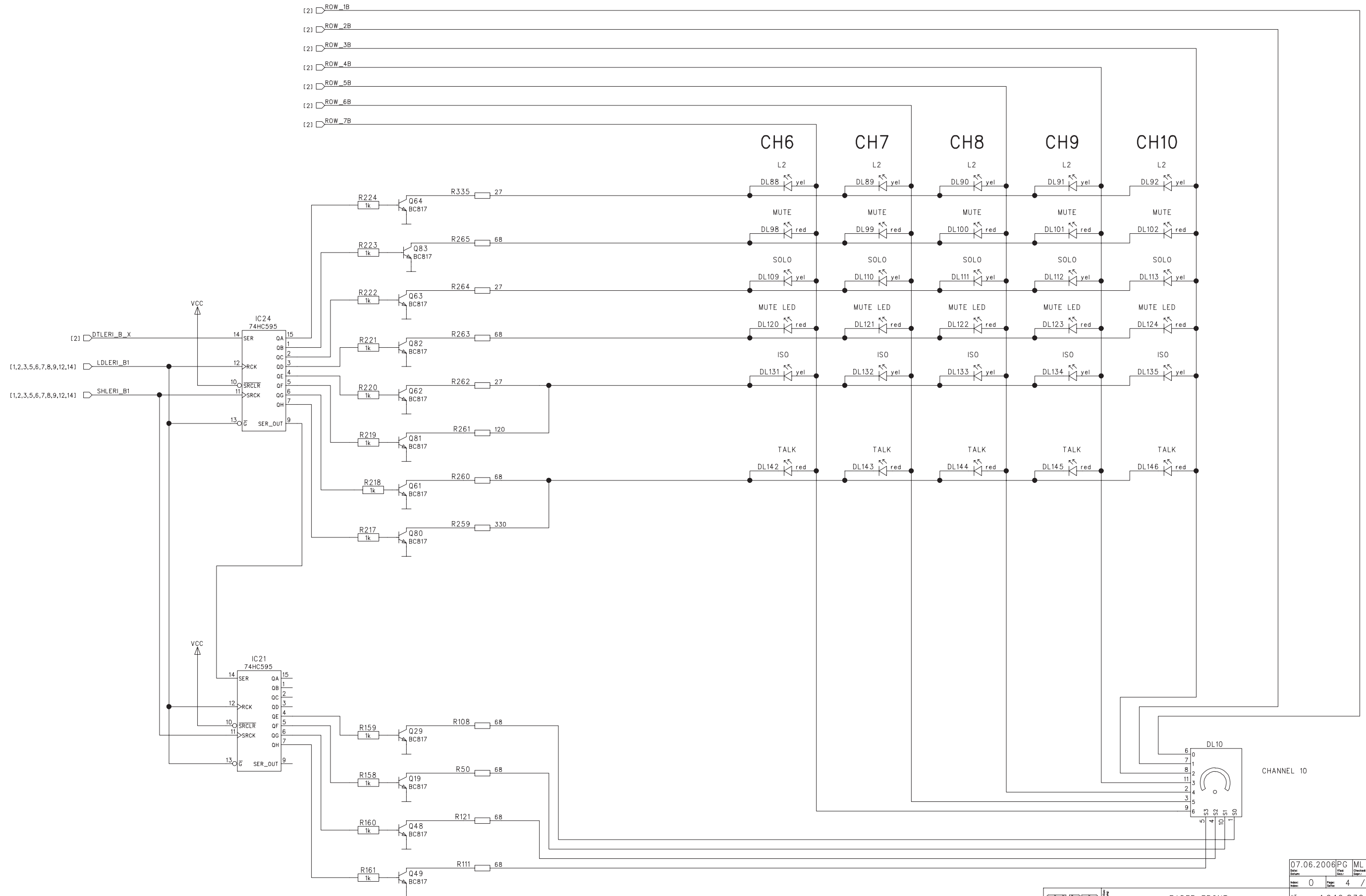
Comments:

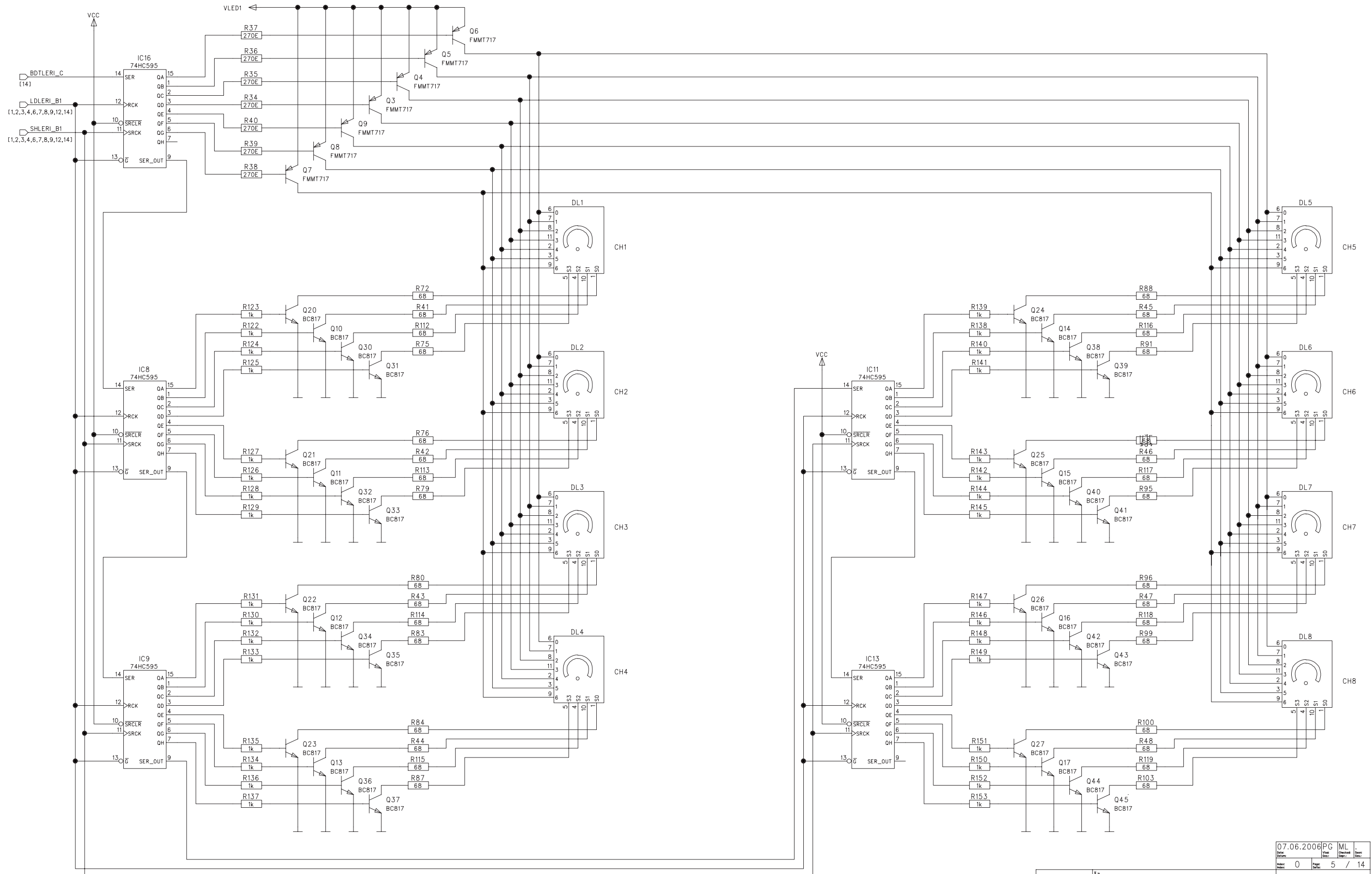
- (00) 14.06.06 LA
- (01) 29.09.06 IC61:50.61.9001->50.61.0201;MP1:1.949.820.12->1.949.820.13



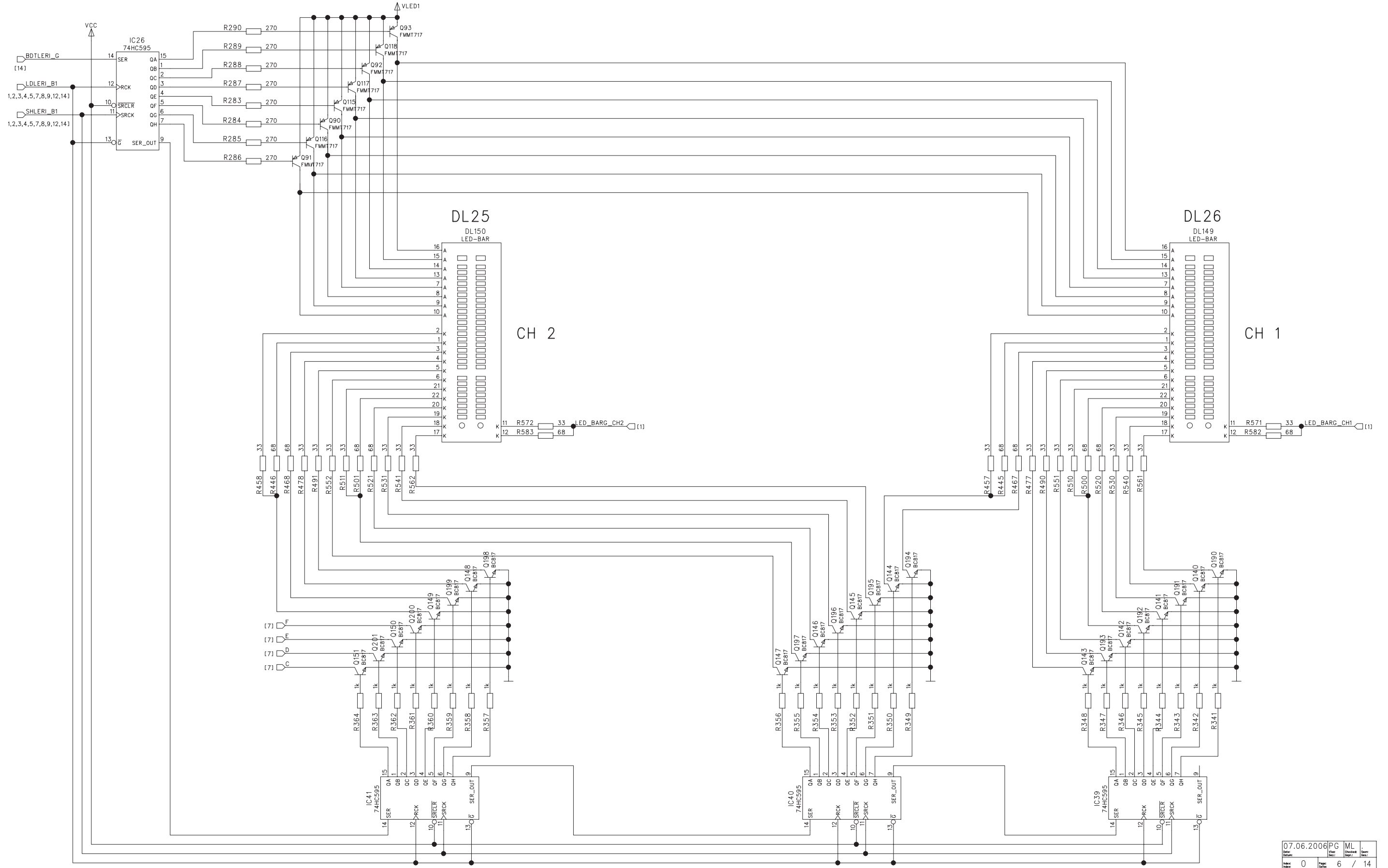


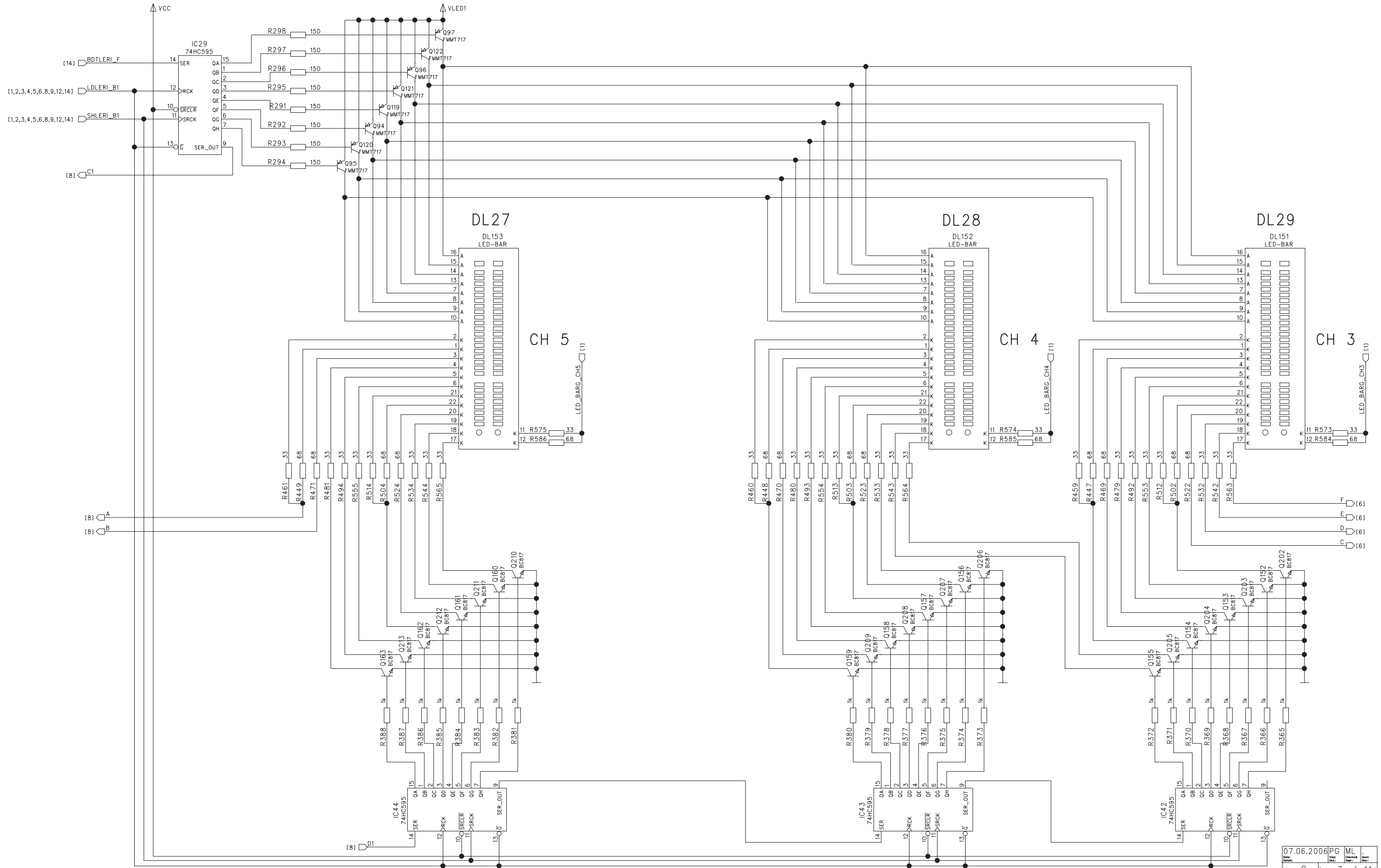




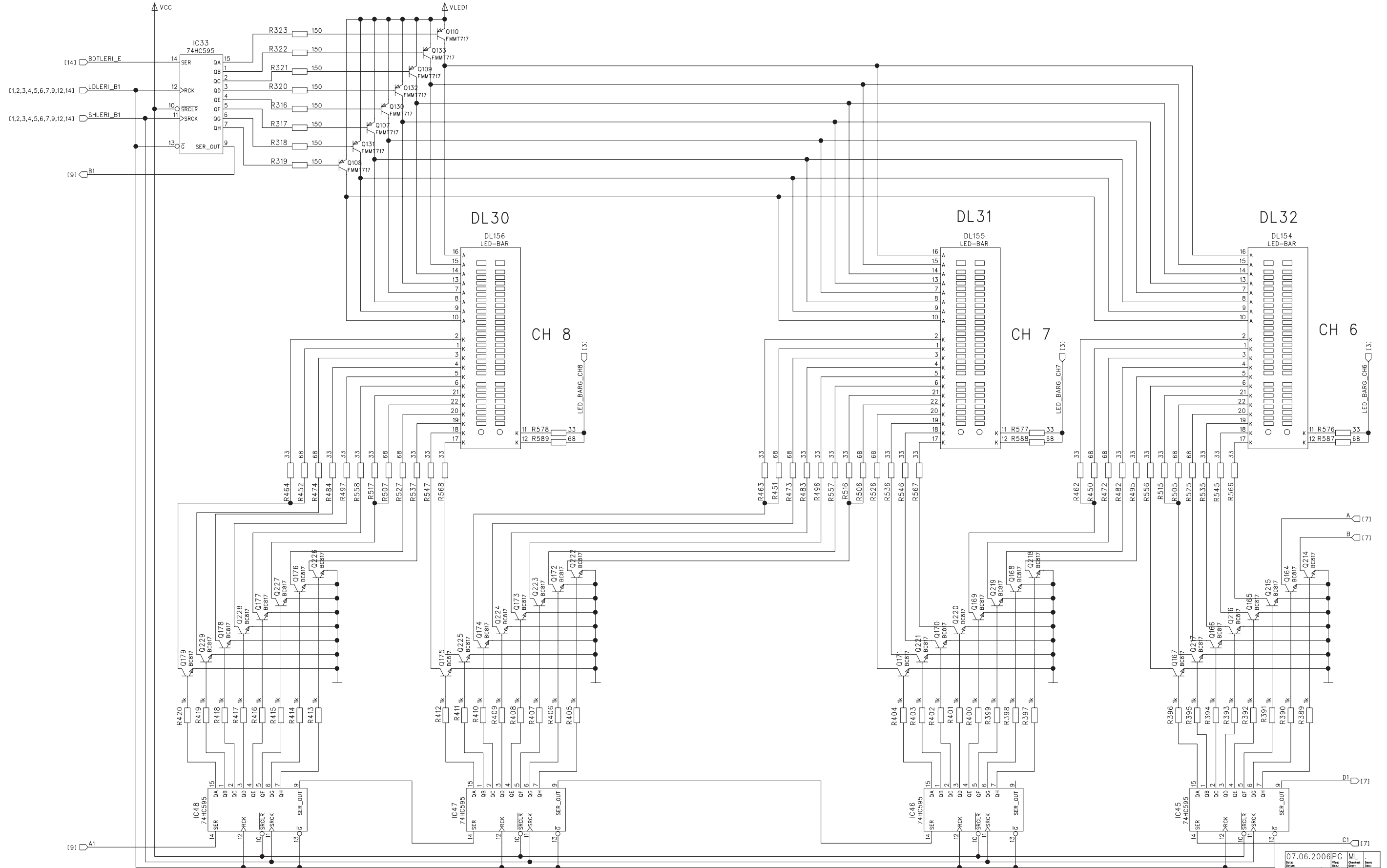


Date:	Drawn:	View:	Checked:	Scale:
07.06.2006	PG	IML	.	
Issue:	0	Page:	5	14

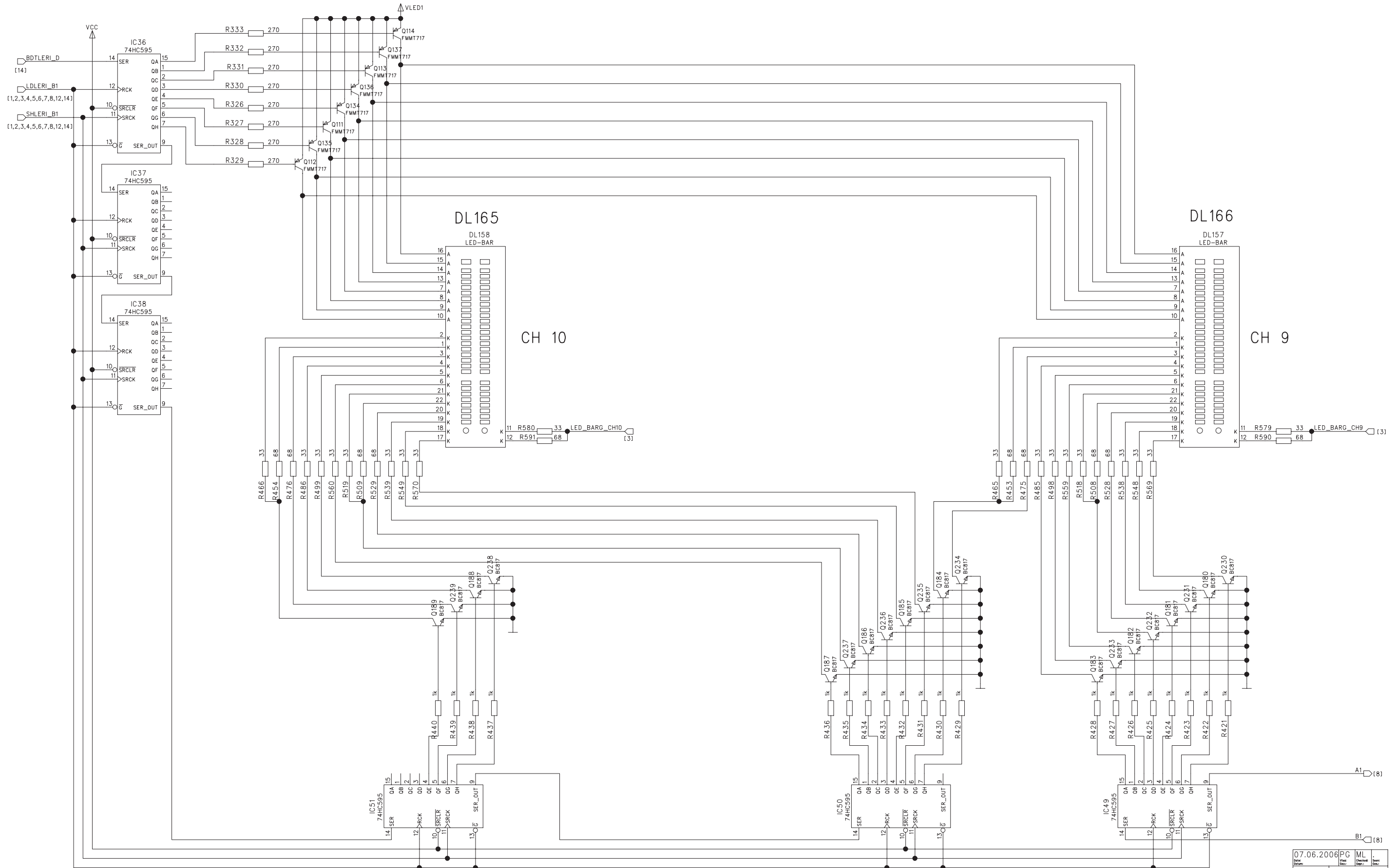




07.06.2006	PG	IML	.
Rev:	0	Page:	7 / 14
Drawn:		Checked:	
Exec:		Order:	

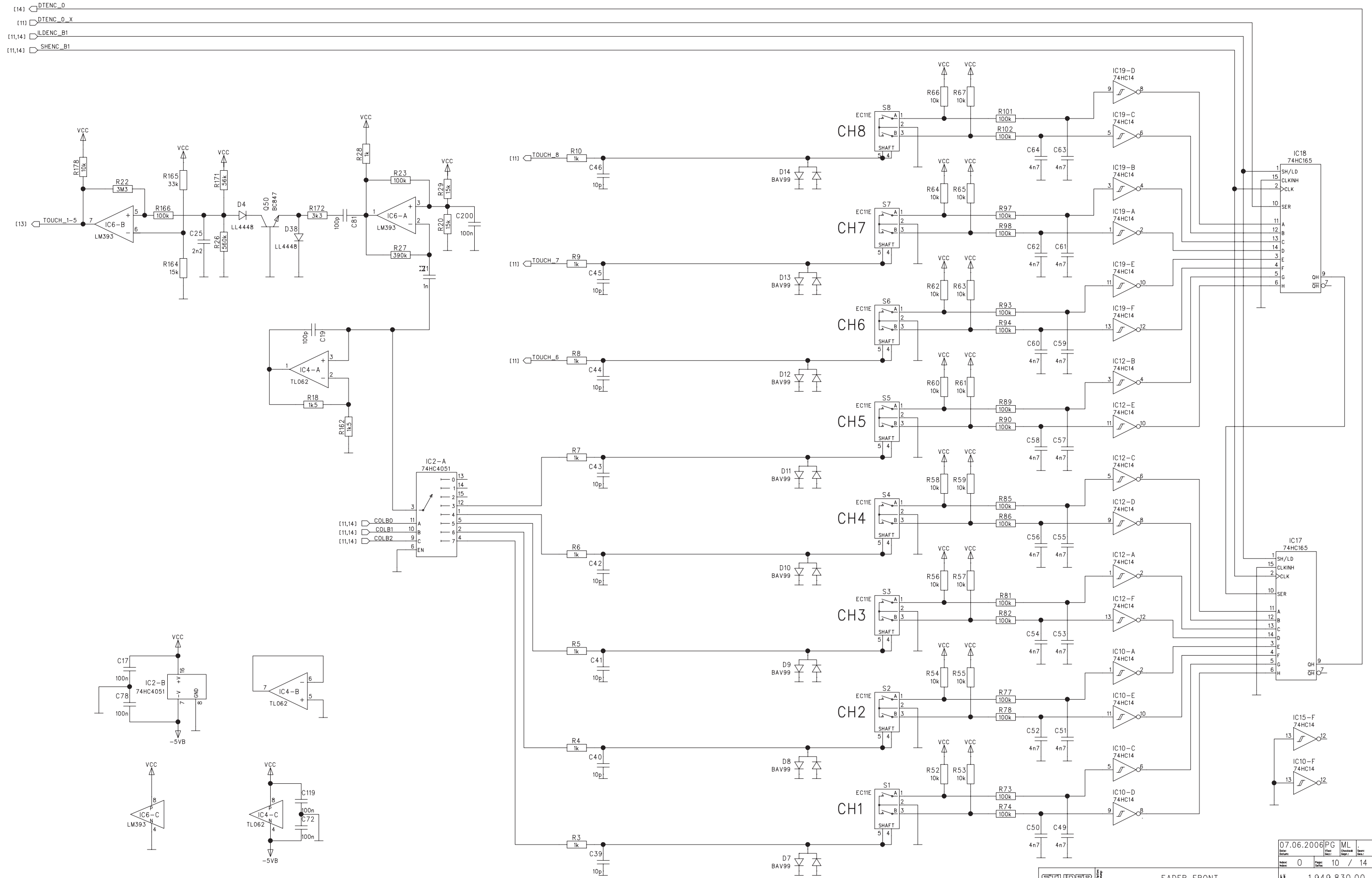


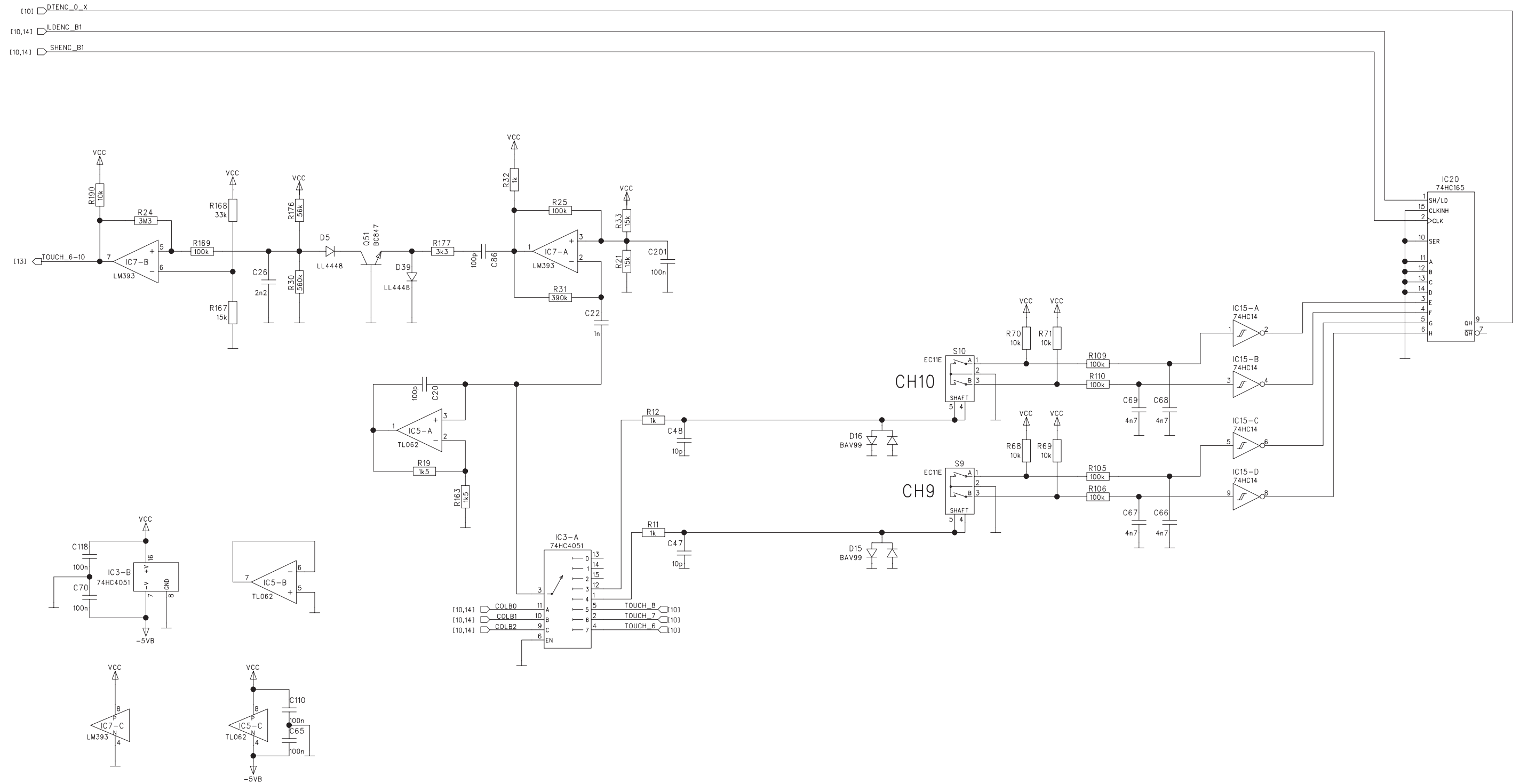
07.06.2006	PG	IML	.
0	8	14	

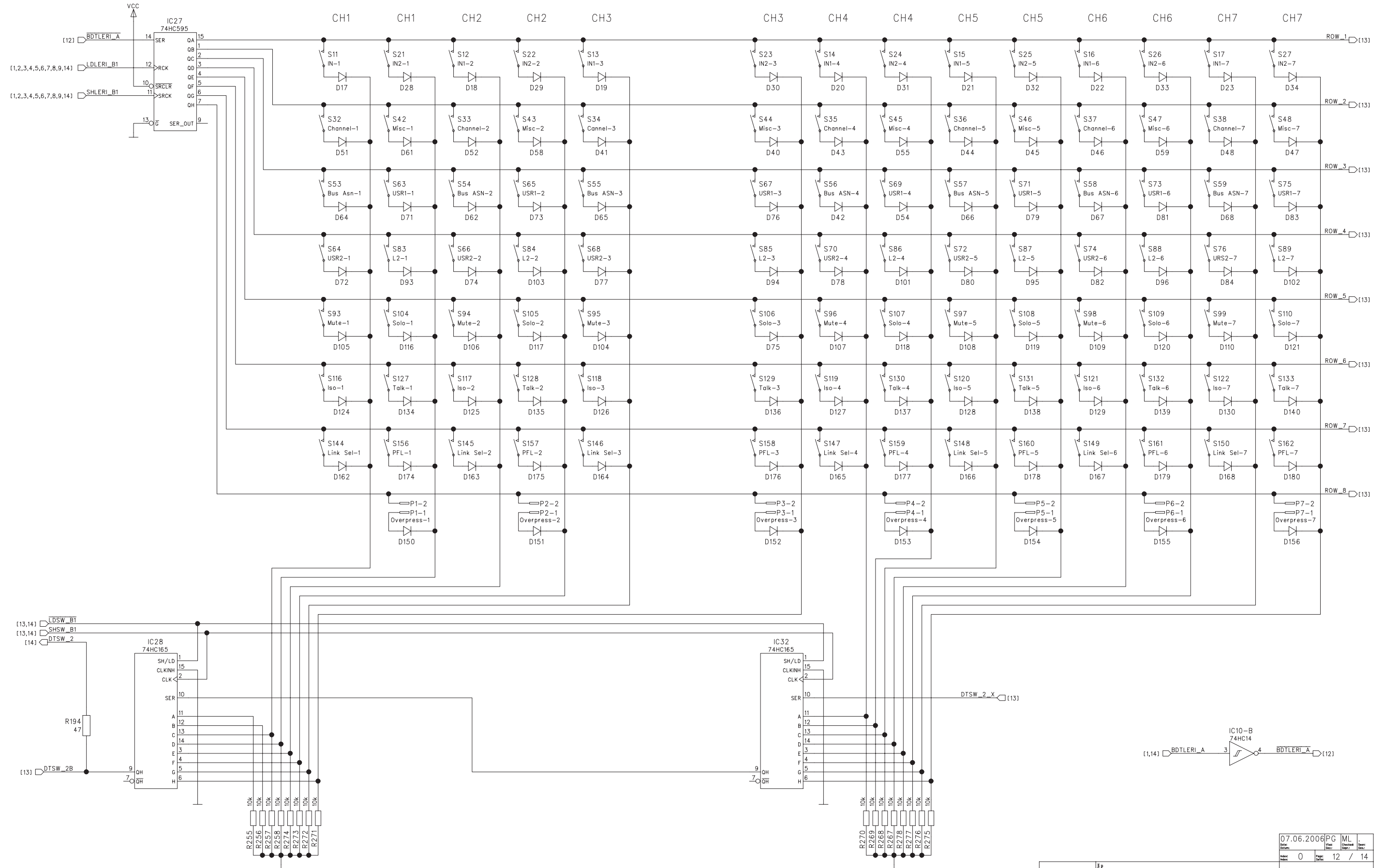


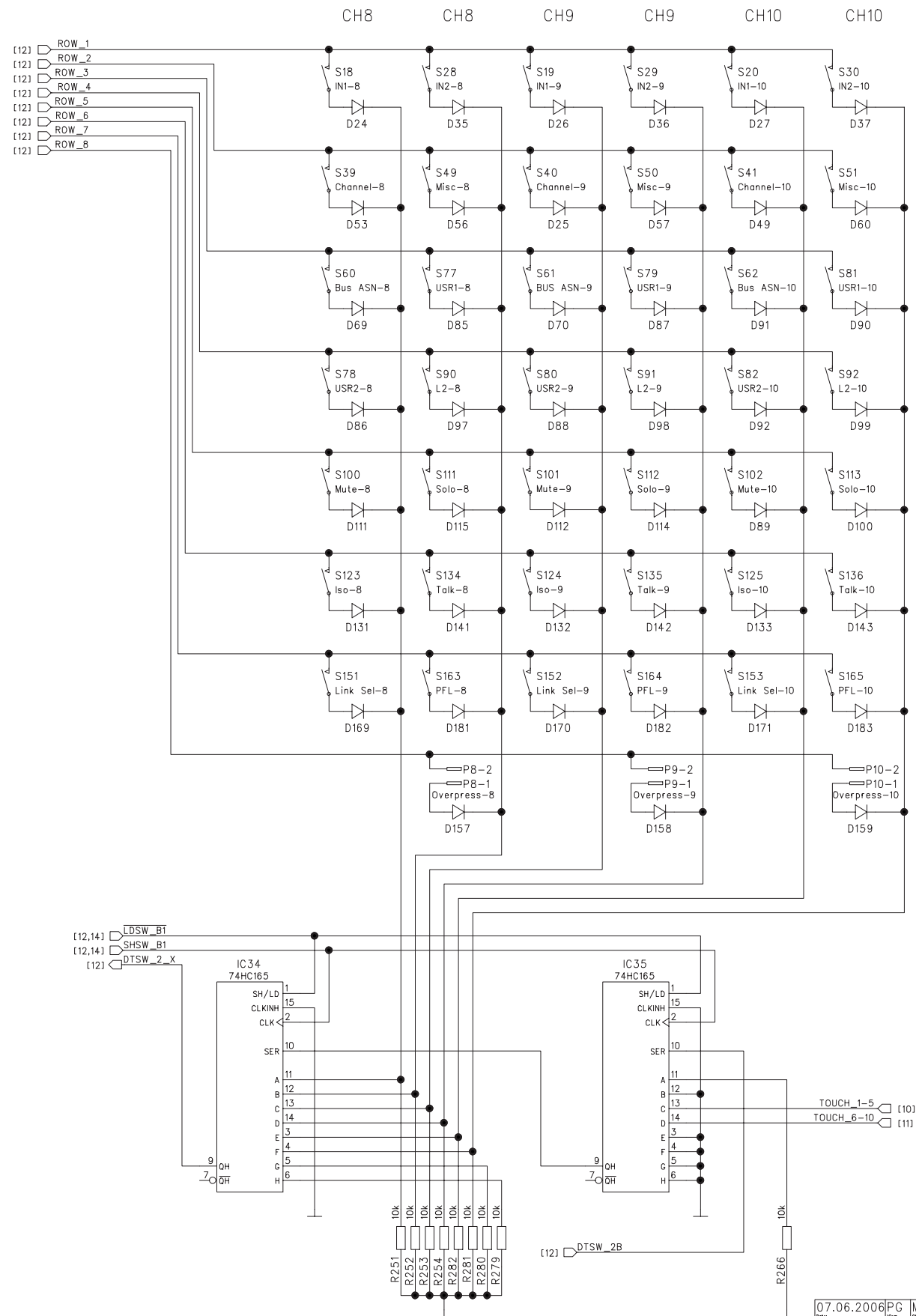
07.06.2006	PG	IML	.
0	9	14	

Fader Front PCB 1.949.830.00 (1)

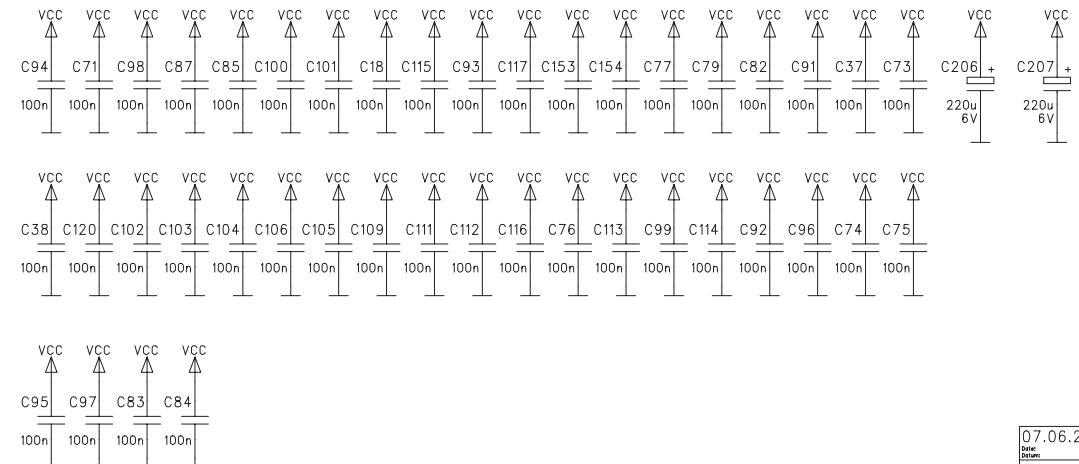
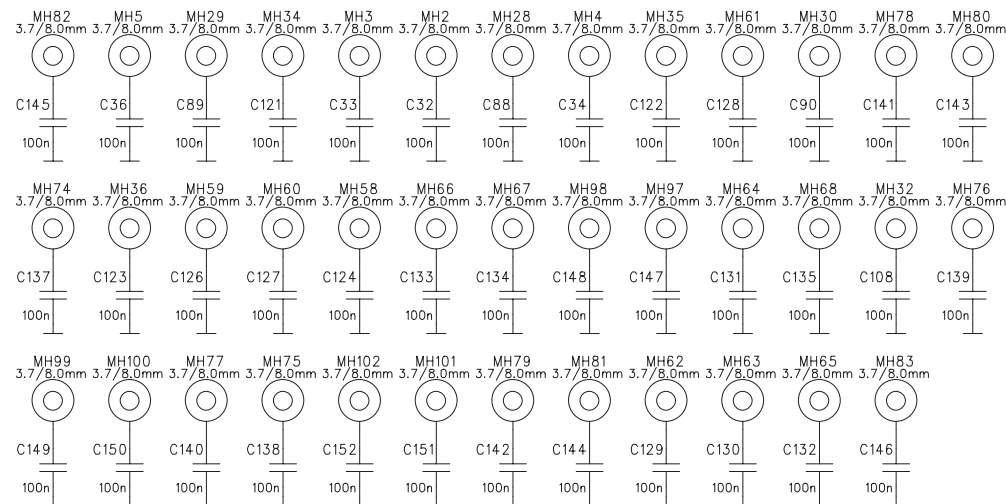
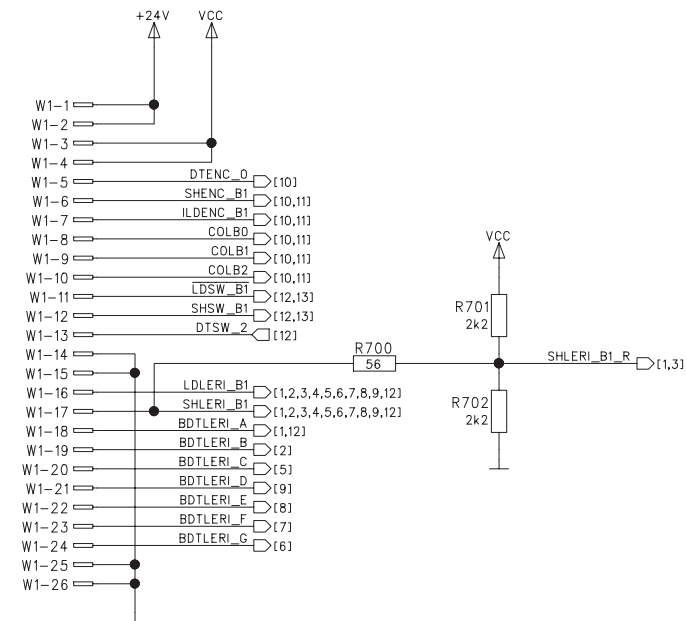
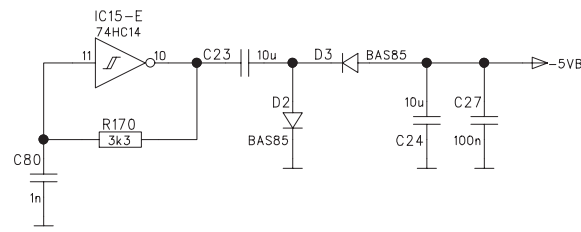
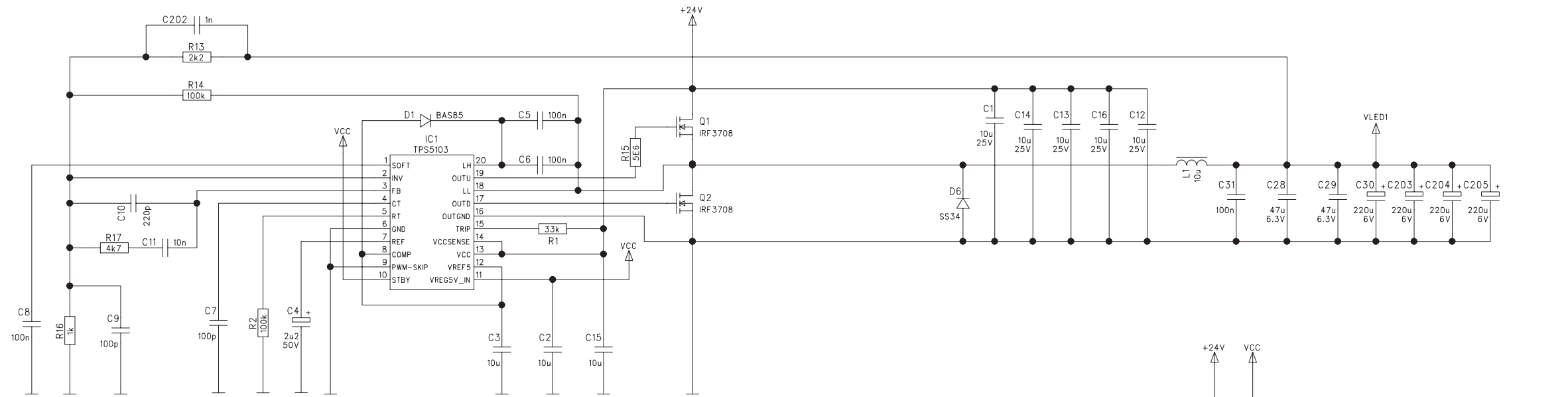




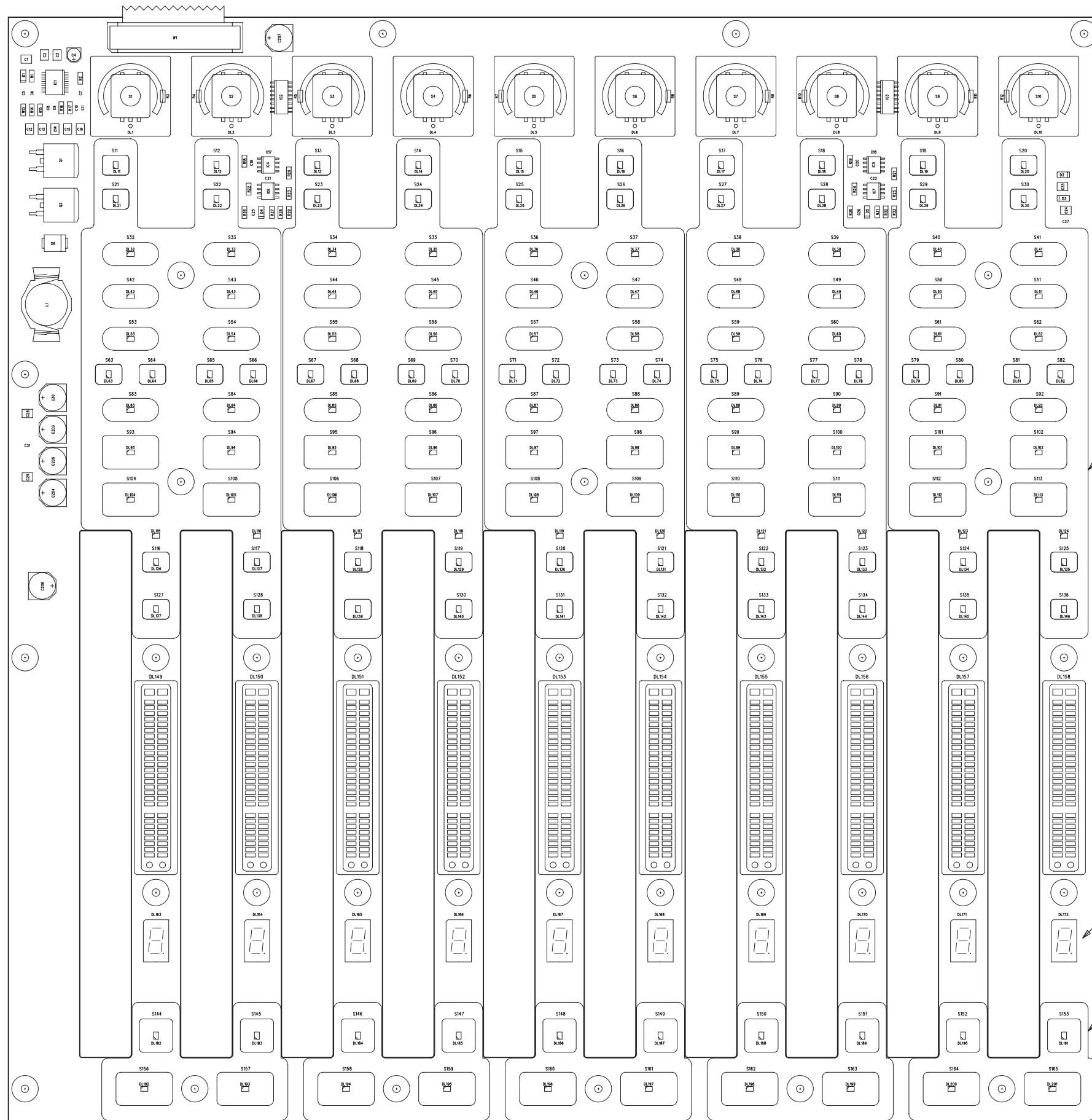




07.06.2006	PG	ML	.
0	13	14	
1.949.830.00			

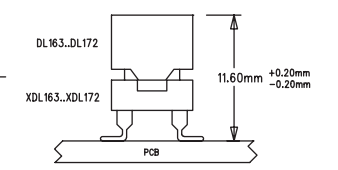


Fader Front PCB 1.949.830.00 (1)



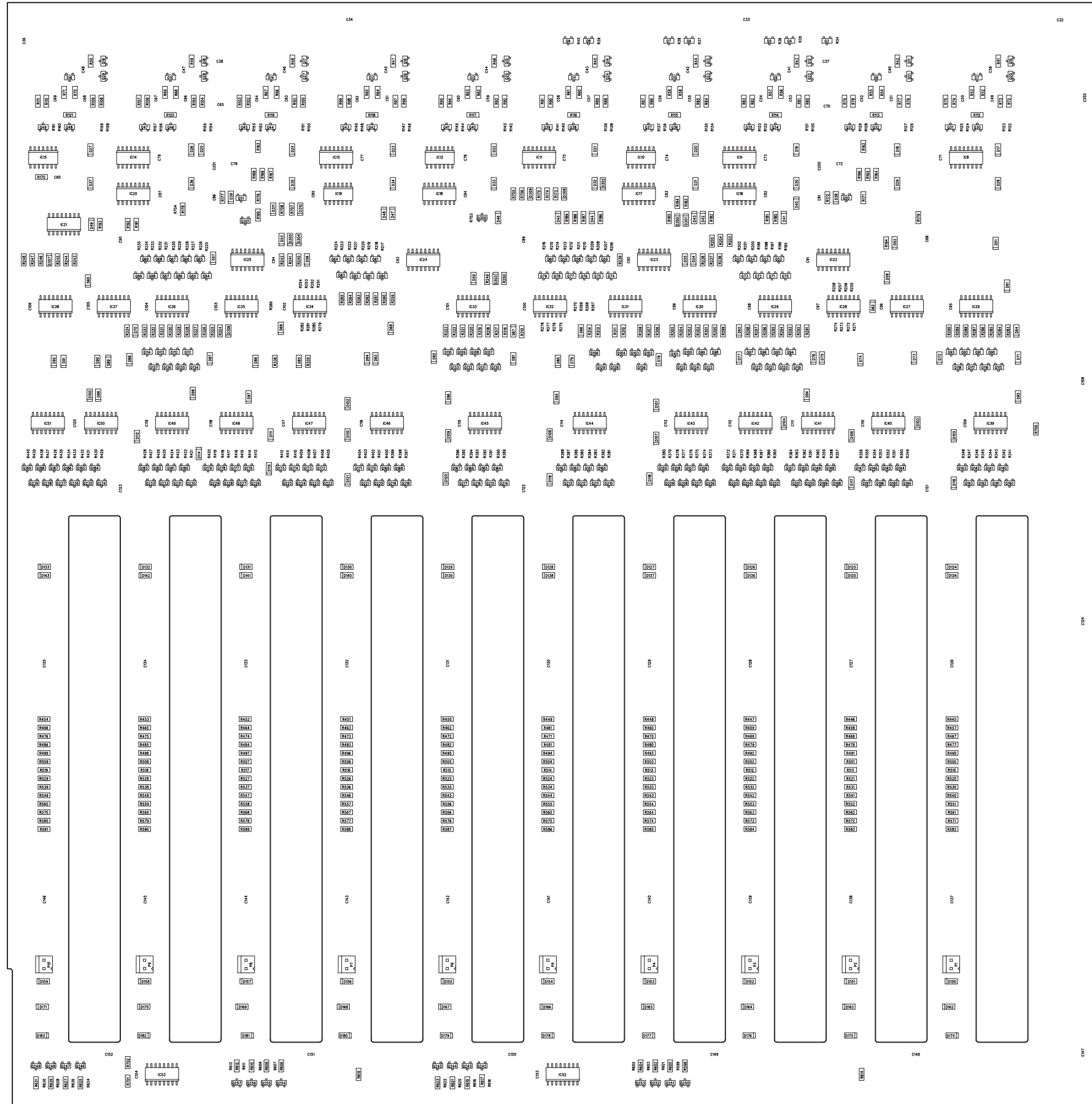
MP1
MP4

MP4



07.06.2006	PG	ML	.
0	1	1	2

Fader Front PCB 1.949.830.00 (1)



Date printed: 23.10.07

07.06.2006	PG	IML	.
0	2	2	2

Fader Front PCB 1.949.830.00 (1)

Idx. Pos.	Part No.	Qty.	Type/Val.	Description	Idx. Pos.	Part No.	Qty.	Type/Val.	Description
0 DL 76	50.60.9402	1 pce	yel	SMD LED yellow	0 DL 198	50.60.9417	1 pce	gm	SMD LED 1.25*2.0
0 DL 77	50.60.9402	1 pce	yel	SMD LED yellow	0 DL 199	50.60.9417	1 pce	gm	SMD LED 1.25*2.0
0 DL 78	50.60.9402	1 pce	yel	SMD LED yellow	0 DL 200	50.60.9417	1 pce	gm	SMD LED 1.25*2.0
0 DL 79	50.60.9402	1 pce	yel	SMD LED yellow	0 DL 201	50.60.9417	1 pce	gm	SMD LED 1.25*2.0
0 DL 80	50.60.9402	1 pce	yel	SMD LED yellow	0 IC 1	50.61.2004	1 pce	TPS 5103	Sync step down converter
0 DL 81	50.60.9402	1 pce	yel	SMD LED yellow	0 IC 2	50.62.1951	1 pce	74HC4051	8ch analog mux/demux
0 DL 82	50.60.9402	1 pce	yel	SMD LED yellow	0 IC 3	50.62.1951	1 pce	74HC4051	8ch analog mux/demux
0 DL 83	50.60.9402	1 pce	yel	SMD LED yellow	0 IC 4	50.61.0201	1 pce	TL062	Dual FET Op-Amp
0 DL 84	50.60.9402	1 pce	yel	SMD LED yellow	0 IC 5	50.61.0201	1 pce	TL062	Dual FET Op-Amp
0 DL 85	50.60.9402	1 pce	yel	SMD LED yellow	0 IC 6	50.61.9001	1 pce	LM393	Dual voltage comp. SO 8
0 DL 86	50.60.9402	1 pce	yel	SMD LED yellow	0 IC 7	50.61.9001	1 pce	LM393	Dual voltage comp. SO 8
0 DL 87	50.60.9402	1 pce	yel	SMD LED yellow	0 IC 8	50.62.1595	1 pce	74HC595	8bit shift/output register
0 DL 88	50.60.9402	1 pce	yel	SMD LED yellow	0 IC 9	50.62.1595	1 pce	74HC595	8bit shift/output register
0 DL 89	50.60.9402	1 pce	yel	SMD LED yellow	0 IC 10	50.62.1014	1 pce	74HC 14	Hex Schmitt trigger inverter
0 DL 90	50.60.9402	1 pce	yel	SMD LED yellow	0 IC 11	50.62.1595	1 pce	74HC595	8bit shift/output register
0 DL 91	50.60.9402	1 pce	yel	SMD LED yellow	0 IC 12	50.62.1014	1 pce	74HC 14	Hex Schmitt trigger inverter
0 DL 92	50.60.9402	1 pce	yel	SMD LED yellow	0 IC 13	50.62.1595	1 pce	74HC595	8bit shift/output register
0 DL 93	50.60.9401	1 pce	red	SMD LED superred	0 IC 14	50.62.1595	1 pce	74HC595	8bit shift/output register
0 DL 94	50.60.9401	1 pce	red	SMD LED superred	0 IC 15	50.62.1014	1 pce	74HC 14	Hex Schmitt trigger inverter
0 DL 95	50.60.9401	1 pce	red	SMD LED superred	0 IC 16	50.62.1595	1 pce	74HC595	8bit shift/output register
0 DL 96	50.60.9401	1 pce	red	SMD LED superred	0 IC 17	50.62.1165	1 pce	74HC165	8bit shift register
0 DL 97	50.60.9401	1 pce	red	SMD LED superred	0 IC 18	50.62.1165	1 pce	74HC165	8bit shift register
0 DL 98	50.60.9401	1 pce	red	SMD LED superred	0 IC 19	50.62.1014	1 pce	74HC 14	Hex Schmitt trigger inverter
0 DL 99	50.60.9401	1 pce	red	SMD LED superred	0 IC 20	50.62.1165	1 pce	74HC165	8bit shift register
0 DL 100	50.60.9401	1 pce	red	SMD LED superred	0 IC 21	50.62.1595	1 pce	74HC595	8bit shift/output register
0 DL 101	50.60.9401	1 pce	red	SMD LED superred	0 IC 22	50.62.1595	1 pce	74HC595	8bit shift/output register
0 DL 102	50.60.9401	1 pce	red	SMD LED superred	0 IC 23	50.62.1595	1 pce	74HC595	8bit shift/output register
0 DL 104	50.60.9402	1 pce	yel	SMD LED yellow	0 IC 24	50.62.1595	1 pce	74HC595	8bit shift/output register
0 DL 105	50.60.9402	1 pce	yel	SMD LED yellow	0 IC 25	50.62.1595	1 pce	74HC595	8bit shift/output register
0 DL 106	50.60.9402	1 pce	yel	SMD LED yellow	0 IC 26	50.62.1595	1 pce	74HC595	8bit shift/output register
0 DL 107	50.60.9402	1 pce	yel	SMD LED yellow	0 IC 27	50.62.1595	1 pce	74HC595	8bit shift/output register
0 DL 108	50.60.9402	1 pce	yel	SMD LED yellow	0 IC 28	50.62.1165	1 pce	74HC165	8bit shift register
0 DL 109	50.60.9402	1 pce	yel	SMD LED yellow	0 IC 29	50.62.1595	1 pce	74HC595	8bit shift/output register
0 DL 110	50.60.9402	1 pce	yel	SMD LED yellow	0 IC 30	50.62.1595	1 pce	74HC595	8bit shift/output register
0 DL 111	50.60.9402	1 pce	yel	SMD LED yellow	0 IC 31	50.62.1595	1 pce	74HC595	8bit shift/output register
0 DL 112	50.60.9402	1 pce	yel	SMD LED yellow	0 IC 32	50.62.1165	1 pce	74HC165	8bit shift register
0 DL 113	50.60.9402	1 pce	yel	SMD LED yellow	0 IC 33	50.62.1595	1 pce	74HC595	8bit shift/output register
0 DL 115	50.60.9401	1 pce	red	SMD LED superred	0 IC 34	50.62.1165	1 pce	74HC165	8bit shift register
0 DL 116	50.60.9401	1 pce	red	SMD LED superred	0 IC 35	50.62.1165	1 pce	74HC165	8bit shift register
0 DL 117	50.60.9401	1 pce	red	SMD LED superred	0 IC 36	50.62.1595	1 pce	74HC595	8bit shift/output register
0 DL 118	50.60.9401	1 pce	red	SMD LED superred	0 IC 37	50.62.1595	1 pce	74HC595	8bit shift/output register
0 DL 119	50.60.9401	1 pce	red	SMD LED superred	0 IC 38	50.62.1595	1 pce	74HC595	8bit shift/output register
0 DL 120	50.60.9401	1 pce	red	SMD LED superred	0 IC 39	50.62.1595	1 pce	74HC595	8bit shift/output register
0 DL 121	50.60.9401	1 pce	red	SMD LED superred	0 IC 40	50.62.1595	1 pce	74HC595	8bit shift/output register
0 DL 122	50.60.9401	1 pce	red	SMD LED superred	0 IC 41	50.62.1595	1 pce	74HC595	8bit shift/output register
0 DL 123	50.60.9401	1 pce	red	SMD LED superred	0 IC 42	50.62.1595	1 pce	74HC595	8bit shift/output register
0 DL 124	50.60.9401	1 pce	red	SMD LED superred	0 IC 43	50.62.1595	1 pce	74HC595	8bit shift/output register
0 DL 126	50.60.9402	1 pce	yel	SMD LED yellow	0 IC 44	50.62.1595	1 pce	74HC595	8bit shift/output register
0 DL 127	50.60.9402	1 pce	yel	SMD LED yellow	0 IC 45	50.62.1595	1 pce	74HC595	8bit shift/output register
0 DL 128	50.60.9402	1 pce	yel	SMD LED yellow	0 IC 46	50.62.1595	1 pce	74HC595	8bit shift/output register
0 DL 129	50.60.9402	1 pce	yel	SMD LED yellow	0 IC 47	50.62.1595	1 pce	74HC595	8bit shift/output register
0 DL 130	50.60.9402	1 pce	yel	SMD LED yellow	0 IC 48	50.62.1595	1 pce	74HC595	8bit shift/output register
0 DL 131	50.60.9402	1 pce	yel	SMD LED yellow	0 IC 49	50.62.1595	1 pce	74HC595	8bit shift/output register
0 DL 132	50.60.9402	1 pce	yel	SMD LED yellow	0 IC 50	50.62.1595	1 pce	74HC595	8bit shift/output register
0 DL 133	50.60.9402	1 pce	yel	SMD LED yellow	0 IC 51	50.62.1595	1 pce	74HC595	8bit shift/output register
0 DL 134	50.60.9402	1 pce	yel	SMD LED yellow	0 IC 52	50.62.1595	1 pce	74HC595	8bit shift/output register
0 DL 135	50.60.9402	1 pce	yel	SMD LED yellow	0 IC 53	50.62.1595	1 pce	74HC595	8bit shift/output register
0 DL 137	50.60.9401	1 pce	red	SMD LED superred	0 L 1	62.60.0510	1 pce	10uH	SMD 6.5A 8860
0 DL 138	50.60.9401	1 pce	red	SMD LED superred	0 MP 1	1.949.830.12	1 pce		FADER FRONT PCB
0 DL 139	50.60.9401	1 pce	red	SMD LED superred	0 MP 2	1.949.830.10	1 pce		Nr. ETIKETTE 5x20
0 DL 140	50.60.9401	1 pce	red	SMD LED superred	0 MP 3	43.01.0108	1 pce	Label	ESE-Warnschild
0 DL 141	50.60.9401	1 pce	red	SMD LED superred	0 MP 4	1.949.830.01	1 pce		RUBBER SET
0 DL 142	50.60.9401	1 pce	red	SMD LED superred	0 P 1	not used	1 pce	2p	Stecker gerade PCB
0 DL 143	50.60.9401	1 pce	red	SMD LED superred	0 P 2	not used	1 pce	2p	Stecker gerade PCB
0 DL 144	50.60.9401	1 pce	red	SMD LED superred	0 P 3	not used	1 pce	2p	Stecker gerade PCB
0 DL 145	50.60.9401	1 pce	red	SMD LED superred	0 P 4	not used	1 pce	2p	Stecker gerade PCB
0 DL 146	50.60.9401	1 pce	red	SMD LED superred	0 P 5	not used	1 pce	2p	Stecker gerade PCB
0 DL 149	50.04.2818	1 pce	red/yel/grn	LED STEREO BARGRAPH	0 P 6	not used	1 pce	2p	Stecker gerade PCB
0 DL 150	50.04.2818	1 pce	red/yel/grn	LED STEREO BARGRAPH	0 P 7	not used	1 pce	2p	Stecker gerade PCB
0 DL 151	50.04.2818	1 pce	red/yel/grn	LED STEREO BARGRAPH	0 P 8	not used	1 pce	2p	Stecker gerade PCB
0 DL 152	50.04.2818	1 pce	red/yel/grn	LED STEREO BARGRAPH	0 P 9	not used	1 pce	2p	Stecker gerade PCB
0 DL 153	50.04.2818	1 pce	red/yel/grn	LED STEREO BARGRAPH	0 P 10	not used	1 pce	2p	Stecker gerade PCB
0 DL 154	50.04.2818	1 pce	red/yel/grn	LED STEREO BARGRAPH	0 Q 1	50.60.2202	1 pce	FDB7030	PowerMOS N-Ch 30V, 50A
0 DL 155	50.04.2818	1 pce	red/yel/grn	LED STEREO BARGRAPH	0 Q 2	50.60.2202	1 pce	FDB7030	PowerMOS N-Ch 30V, 50A
0 DL 156	50.04.2818	1 pce	red/yel/grn	LED STEREO BARGRAPH	0 Q 3	50.60.1101	1 pce	FMMT717	PNP 12V 1.5A SOT 23
0 DL 157	50.04.2818	1 pce	red/yel/grn	LED STEREO BARGRAPH	0 Q 4	50.60.1101	1 pce	FMMT717	PNP 12V 1.5A SOT 23
0 DL 158	50.04.2818	1 pce	red/yel/grn	LED STEREO BARGRAPH	0 Q 5	50.60.1101	1 pce	FMMT717	PNP 12V 1.5A SOT 23
0 DL 163	73.01.0134	1 pce	7-SEG	7-SEG.M.ANZEIGE LED GN 7.6 MM	0 Q 6	50.60.1101	1 pce	FMMT717	PNP 12V 1.5A SOT 23
0 DL 164	73.01.0134	1 pce	7-SEG	7-SEG.M.ANZEIGE LED GN 7.6 MM	0 Q 7	50.60.1101	1 pce	FMMT717	PNP 12V 1.5A SOT 23
0 DL 165	73.01.0134	1 pce	7-SEG	7-SEG.M.ANZEIGE LED GN 7.6 MM	0 Q 8	50.60.1101	1 pce	FMMT717	PNP 12V 1.5A SOT 23
0 DL 166	73.01.0134	1 pce	7-SEG	7-SEG.M.ANZEIGE LED GN 7.6 MM	0 Q 9	50.60.1101	1 pce	FMMT717	PNP 12V 1.5A SOT 23
0 DL 167	73.01.0134	1 pce	7-SEG	7-SEG.M.ANZEIGE LED GN 7.6 MM	0 Q 10	50.60.0050	1 pce	BC817-25	NPN 45V 800mA SOT 23
0 DL 168	73.01.0134	1 pce	7-SEG	7-SEG.M.ANZEIGE LED GN 7.6 MM	0 Q 11	50.60.0050	1 pce	BC817-25	NPN 45V 800mA SOT 23
0 DL 169	73.01.0134	1 pce	7-SEG	7-SEG.M.ANZEIGE LED GN 7.6 MM	0 Q 12	50.60.0050	1 pce	BC817-25	NPN 45V 800mA SOT 23
0 DL 170	73.01.0134	1 pce	7-SEG	7-SEG.M.ANZEIGE LED GN 7.6 MM	0 Q 13	50.60.0050	1 pce	BC817-25	NPN 45V 800mA SOT 23
0 DL 171	73.01.0134	1 pce	7-SEG	7-SEG.M.ANZEIGE LED GN 7.6 MM	0 Q 14	50.60.0050	1 pce	BC817-25	NPN 45V 800mA SOT 23
0 DL 172	73.01.0134	1 pce	7-SEG	7-SEG.M.ANZEIGE LED GN 7.6 MM	0 Q 15	50.60.0050	1 pce	BC817-25	NPN 45V 800mA SOT 23
0 DL 182	50.60.9418	1 pce	blu	SMD LED 1.25*2.0	0 Q 16	50.60.0050	1 pce	BC817-25	NPN 45V 800mA SOT 23
0 DL 183	50.60.9418	1 pce	blu	SMD LED 1.25*2.0	0 Q 17	50.60.0050	1 pce	BC817-25	NPN 45V 800mA SOT 23
0 DL 184	50.60.9418	1 pce	blu	SMD LED 1.25*2.0	0 Q 18	50.60.0050	1 pce	BC817-25	NPN 45V 800mA SOT 23
0 DL 185	50.60.9418	1 pce	blu	SMD LED 1.25*2.0	0 Q 19	50.60.0050	1 pce	BC817-25	NPN 45V 800mA SOT 23
0 DL 186	50.60.9418	1 pce	blu	SMD LED 1.25*2.0	0 Q 20	50.60.0050	1 pce	BC817-25	NPN 45V 800mA SOT 23
0 DL 187	50.60.9418	1 pce	blu	SMD LED 1.25*2.0	0 Q 21	50.60.0050	1 pce	BC817-25	NPN 45V 800mA SOT 23
0 DL 188	50.60.9418	1 pce	blu	SMD LED 1.25*2.0	0 Q 22	50.60.0050	1 pce	BC817-25	NPN 45V 800mA SOT 23
0 DL 189	50.60.9418	1 pce	blu	SMD LED 1.25*2.0	0 Q 23	50.60.0050	1 pce	BC817-25	NPN 45V 800mA SOT 23
0 DL 190	50.60.9418	1 pce	blu	SMD LED 1.25*2.0	0 Q 24	50.60.0050	1 pce	BC817-25	NPN 45V 800mA SOT 23
0 DL 191	50.60.9418	1 pce	blu	SMD LED 1.25*2.0	0 Q 25	50.60.0050	1 pce	BC817-25	NPN 45V 800mA SOT 23
0 DL 192	50.60.9417	1 pce	gm	SMD LED 1.25*2.0	0 Q 26	50.60.0050	1 pce	BC817-25	NPN 45V 800mA SOT 23
0 DL 193	50.60.9417	1 pce	gm	SMD LED 1.25*2.0	0 Q 27	50.60.0050	1 pce	BC817-25	NPN 45V 800mA SOT 23
0 DL 194	50.60.9417	1 pce	gm	SMD LED 1.25*2.0	0 Q 28	50.60.0050	1 pce	BC817-25	NPN 45V 800mA SOT 23
0 DL 195	50.60.9417	1 pce	gm	SMD LED 1.25*2.0	0 Q 29	50.60.0050	1 pce	BC817-25	NPN 45V 800mA SOT 23
0 DL 196	50.60.9417	1 pce	gm	SMD LED 1.25*2.0	0 Q 30	50.60.0050	1 pce	BC817-25	NPN 45V 800mA SOT 23
0 DL 197	50.60.9417	1 pce	gm	SMD LED 1.25*2.0	0 Q 31	50.60.0050	1 pce	BC817-25	NPN 45V 800mA SOT 23

Fader Front PCB 1.949.830.00 (1)

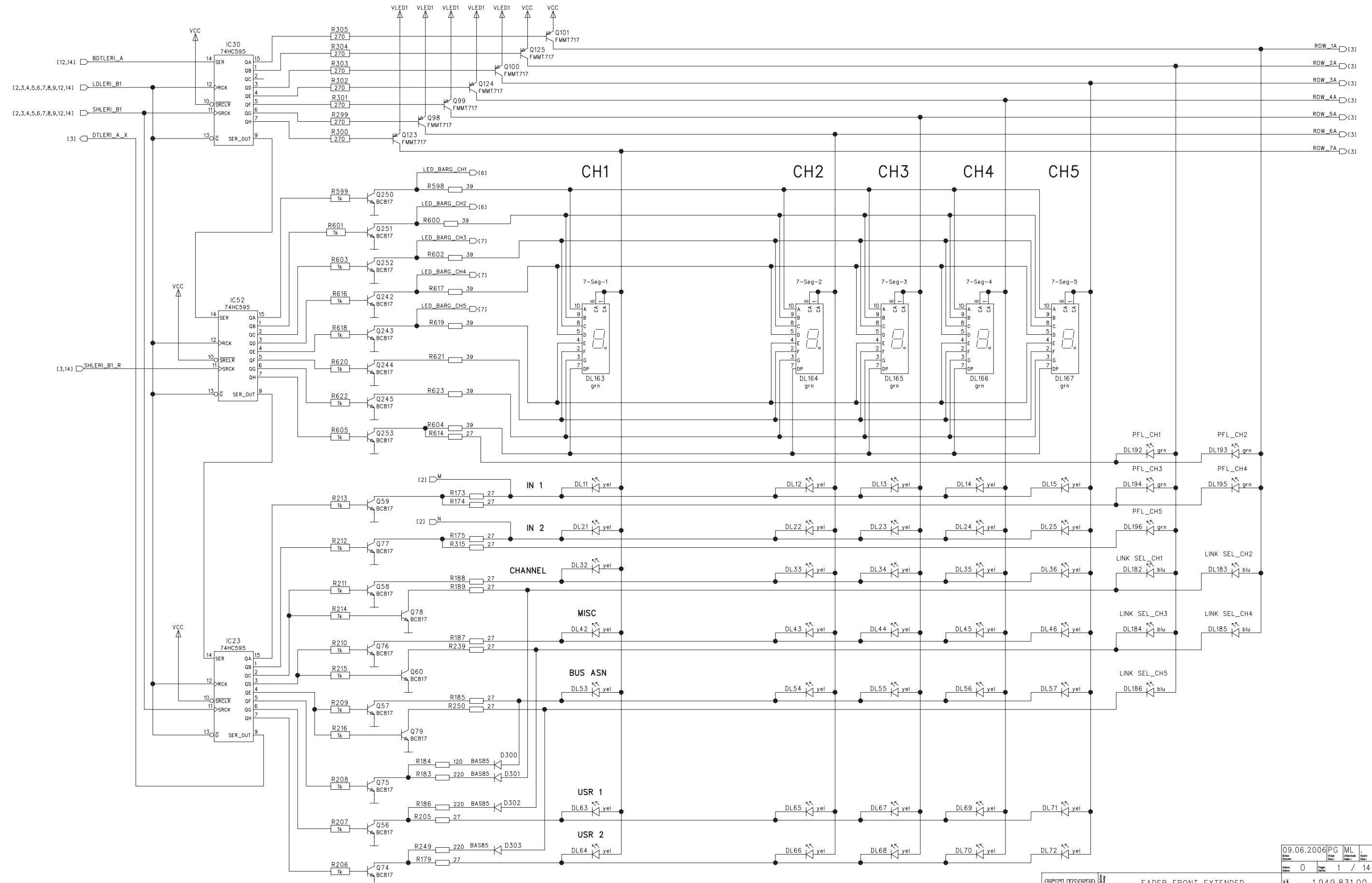
Idx. Pos.	Part No.	Qty.	Type/Val.	Description
0	R 627	57.60.1390	1 pce	39R MF, 1%, 0204, E24
0	R 628	57.69.1073	1 pce	1k0 CF 5% 0603
0	R 629	57.60.1390	1 pce	39R MF, 1%, 0204, E24
0	R 630	57.69.1073	1 pce	1k0 CF 5% 0603
0	R 631	57.60.1390	1 pce	39R MF, 1%, 0204, E24
0	R 700	57.60.1560	1 pce	56R MF, 1%, 0204, E24
0	R 701	57.60.1222	1 pce	2k2 MF, 1%, 0204, E24
0	R 702	57.60.1222	1 pce	2k2 MF, 1%, 0204, E24
0	R 703	57.69.1073	1 pce	1k0 CF 5% 0603
0	R 704	57.69.1073	1 pce	1k0 CF 5% 0603
0	R 705	57.60.1121	1 pce	120R MF, 1%, 0204, E24
0	R 706	57.60.1121	1 pce	120R MF, 1%, 0204, E24
0	R 707	57.60.1121	1 pce	120R MF, 1%, 0204, E24
0	R 708	57.60.1121	1 pce	120R MF, 1%, 0204, E24
0	S 1	55.12.1304	1 pce	N=18 Encoder
0	S 2	55.12.1304	1 pce	N=18 Encoder
0	S 3	55.12.1304	1 pce	N=18 Encoder
0	S 4	55.12.1304	1 pce	N=18 Encoder
0	S 5	55.12.1304	1 pce	N=18 Encoder
0	S 6	55.12.1304	1 pce	N=18 Encoder
0	S 7	55.12.1304	1 pce	N=18 Encoder
0	S 8	55.12.1304	1 pce	N=18 Encoder
0	S 9	55.12.1304	1 pce	N=18 Encoder
0	S 10	55.12.1304	1 pce	N=18 Encoder
0	W 1	1.023.112.20	1 pce	FLACHKABEL 26 POL. 0,07M
0	XDL 16	53.60.0110	1 pce	10p DIL 0.3", SMD
0	XDL 16	53.60.0110	1 pce	10p DIL 0.3", SMD
0	XDL 16	53.60.0110	1 pce	10p DIL 0.3", SMD
0	XDL 16	53.60.0110	1 pce	10p DIL 0.3", SMD
0	XDL 16	53.60.0110	1 pce	10p DIL 0.3", SMD
0	XDL 16	53.60.0110	1 pce	10p DIL 0.3", SMD
0	XDL 16	53.60.0110	1 pce	10p DIL 0.3", SMD
0	XDL 16	53.60.0110	1 pce	10p DIL 0.3", SMD
0	XDL 17	53.60.0110	1 pce	10p DIL 0.3", SMD
0	XDL 17	53.60.0110	1 pce	10p DIL 0.3", SMD
0	XDL 17	53.60.0110	1 pce	10p DIL 0.3", SMD

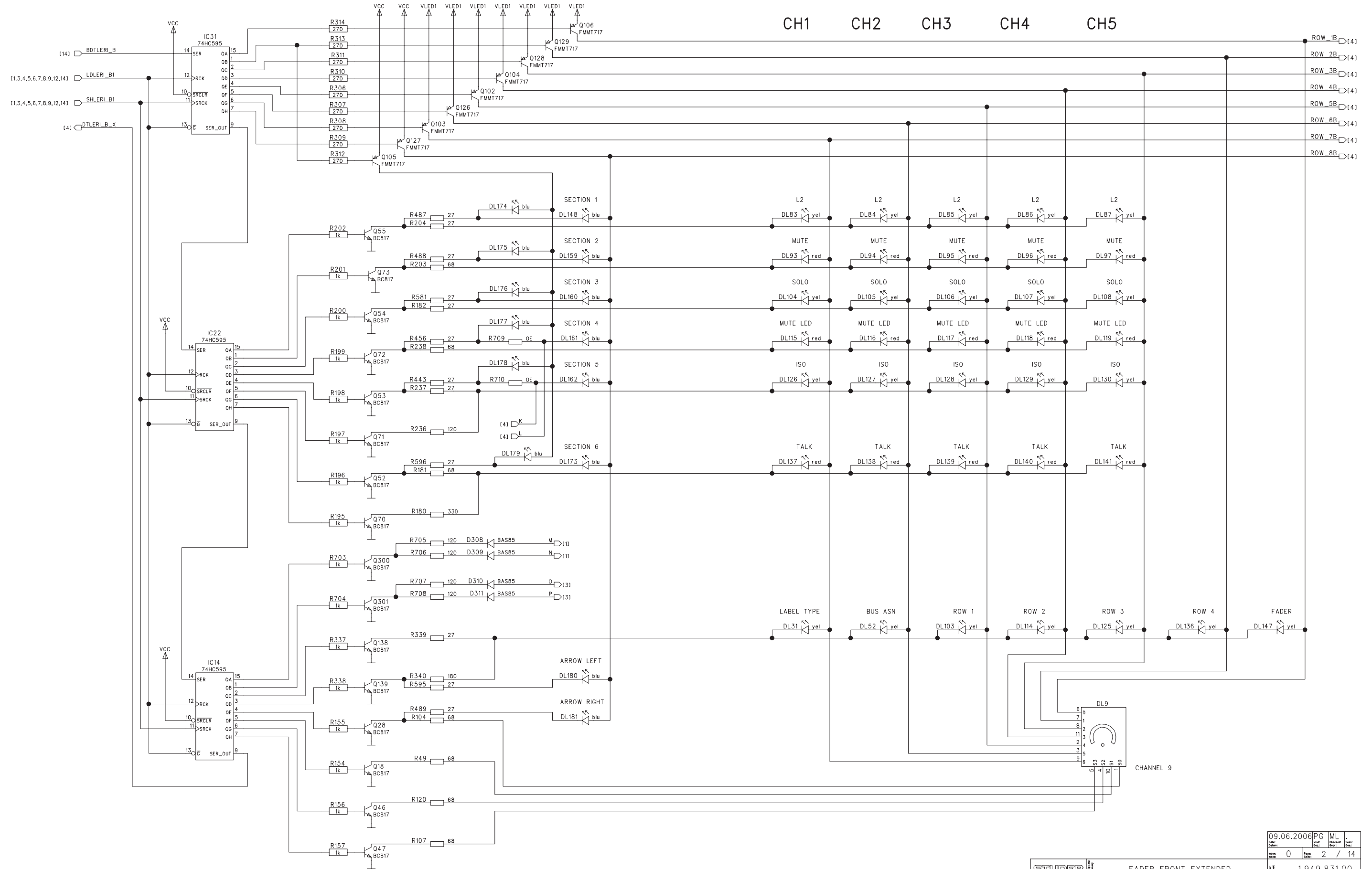
Idx. Pos.	Part No.	Qty.	Type/Val.	Description
-----------	----------	------	-----------	-------------

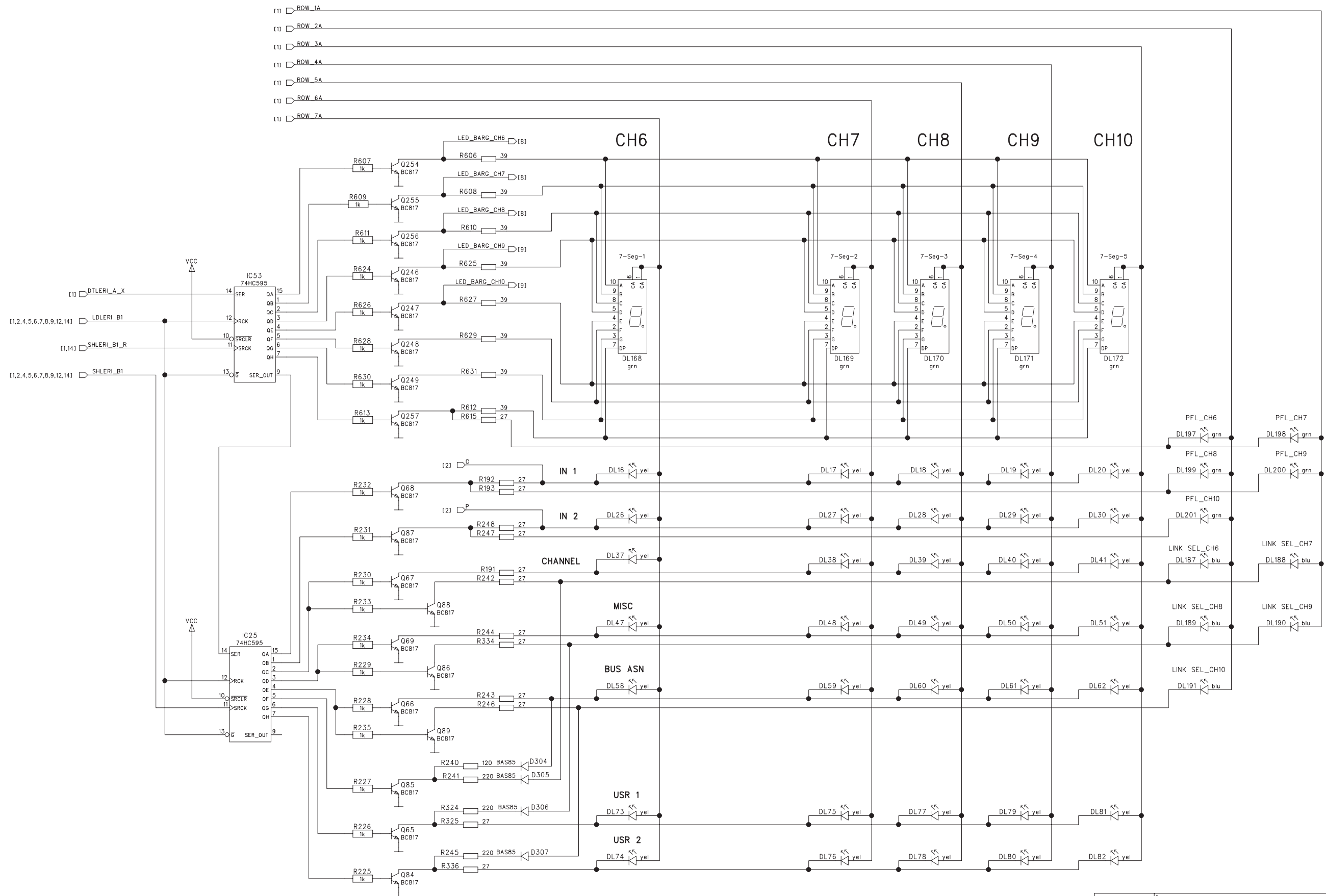
End of List

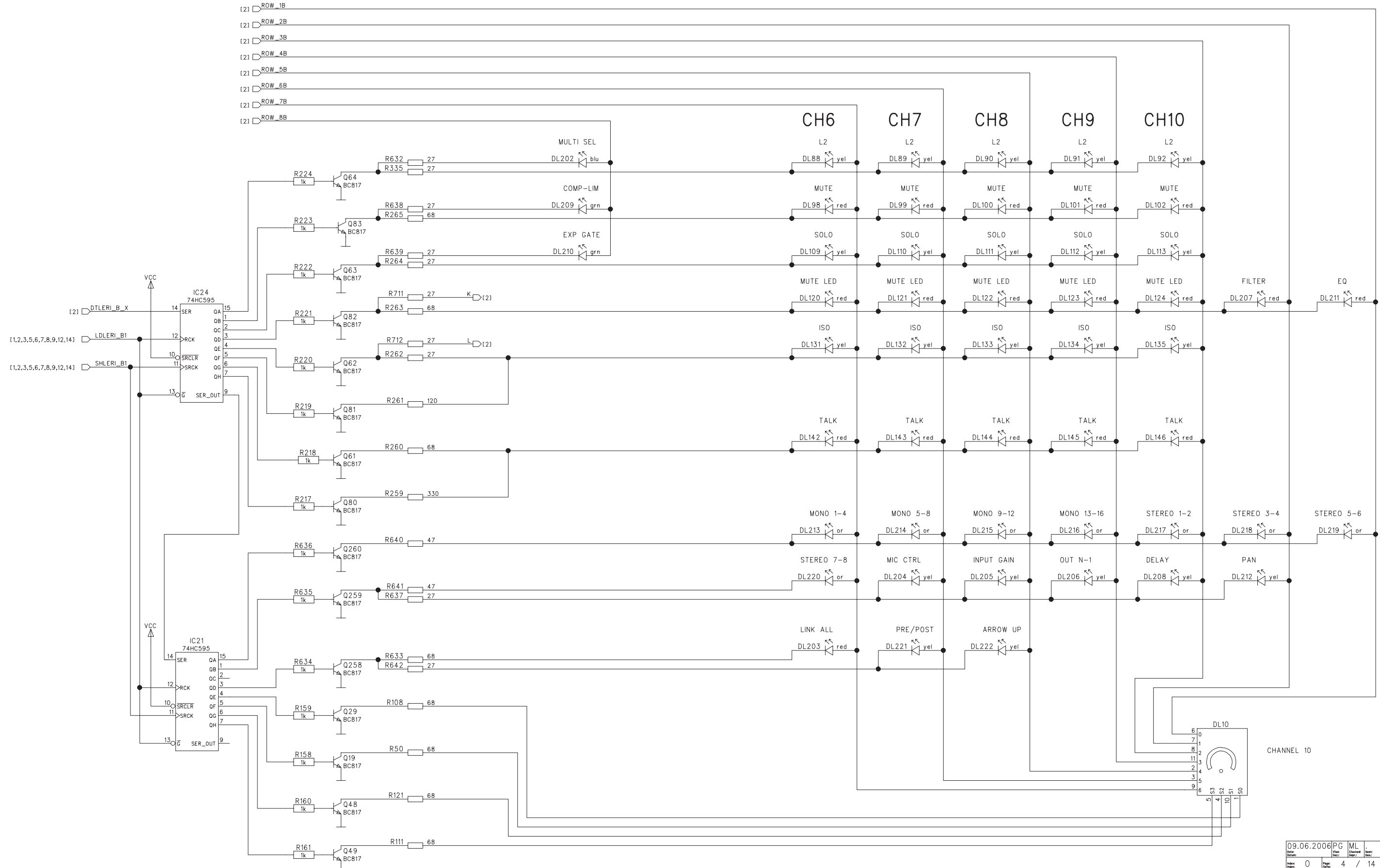
Comments:

(00) 09.06.06 PG
 (01) 07.09.06 C200,201->not used

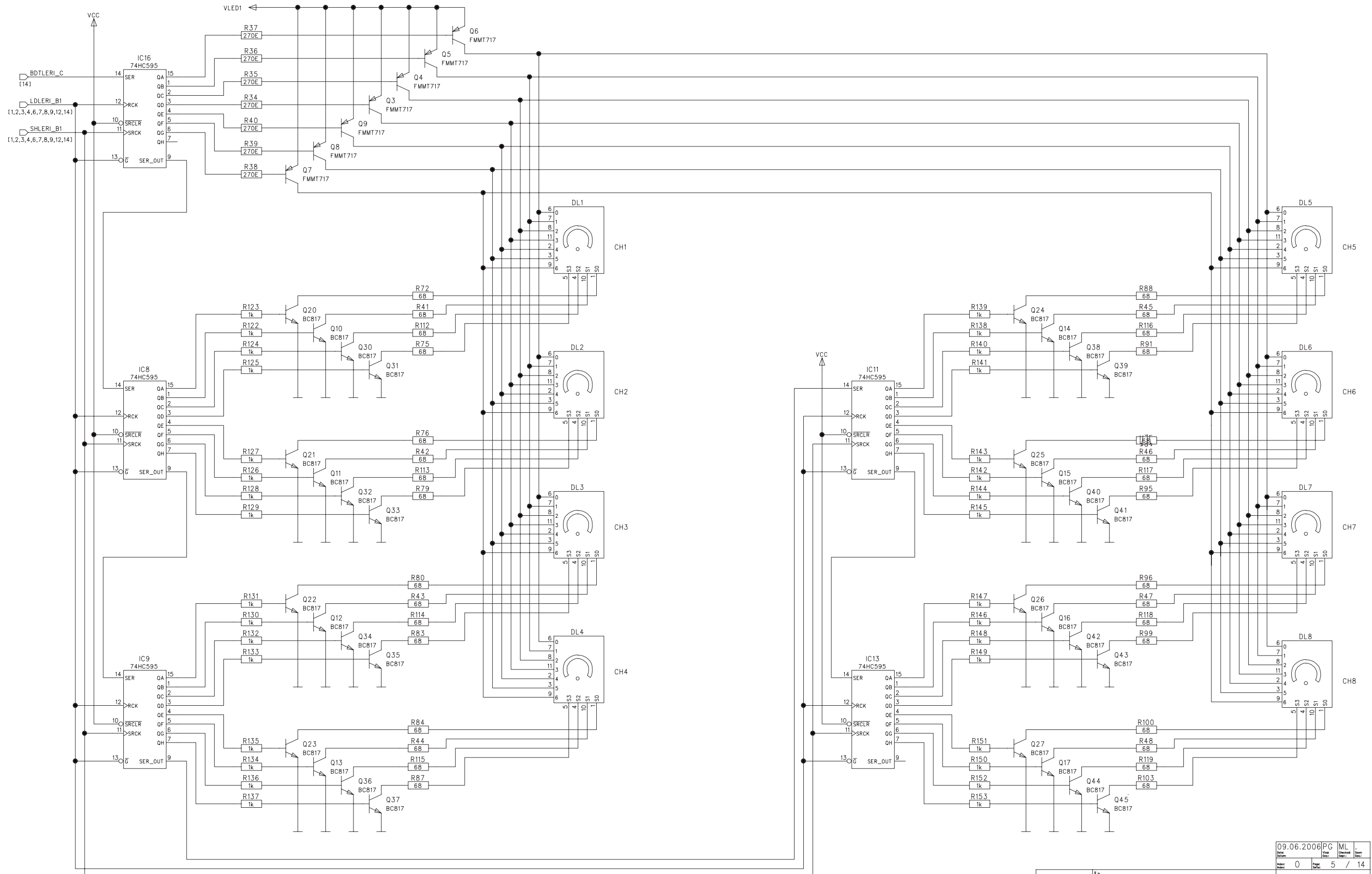




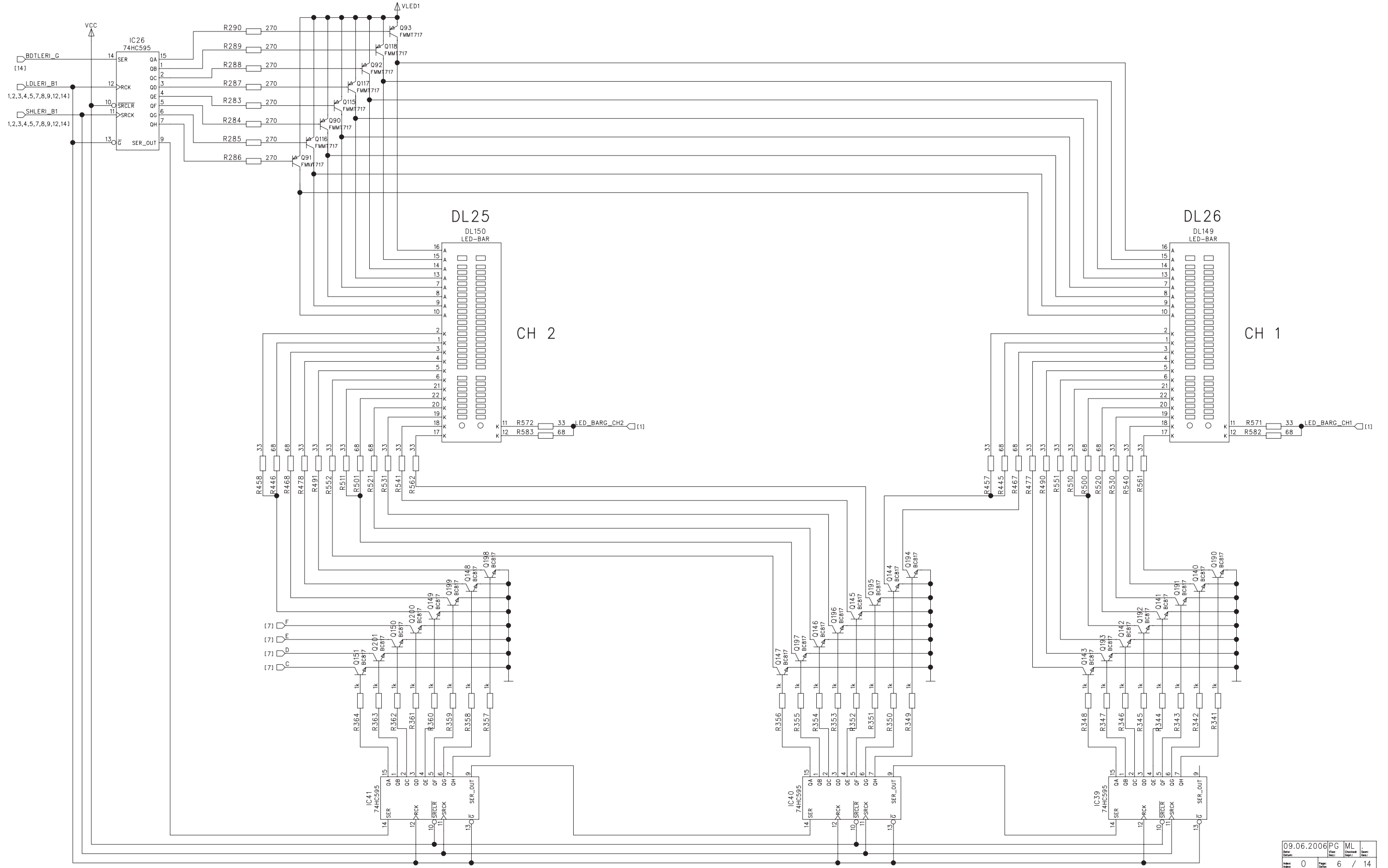


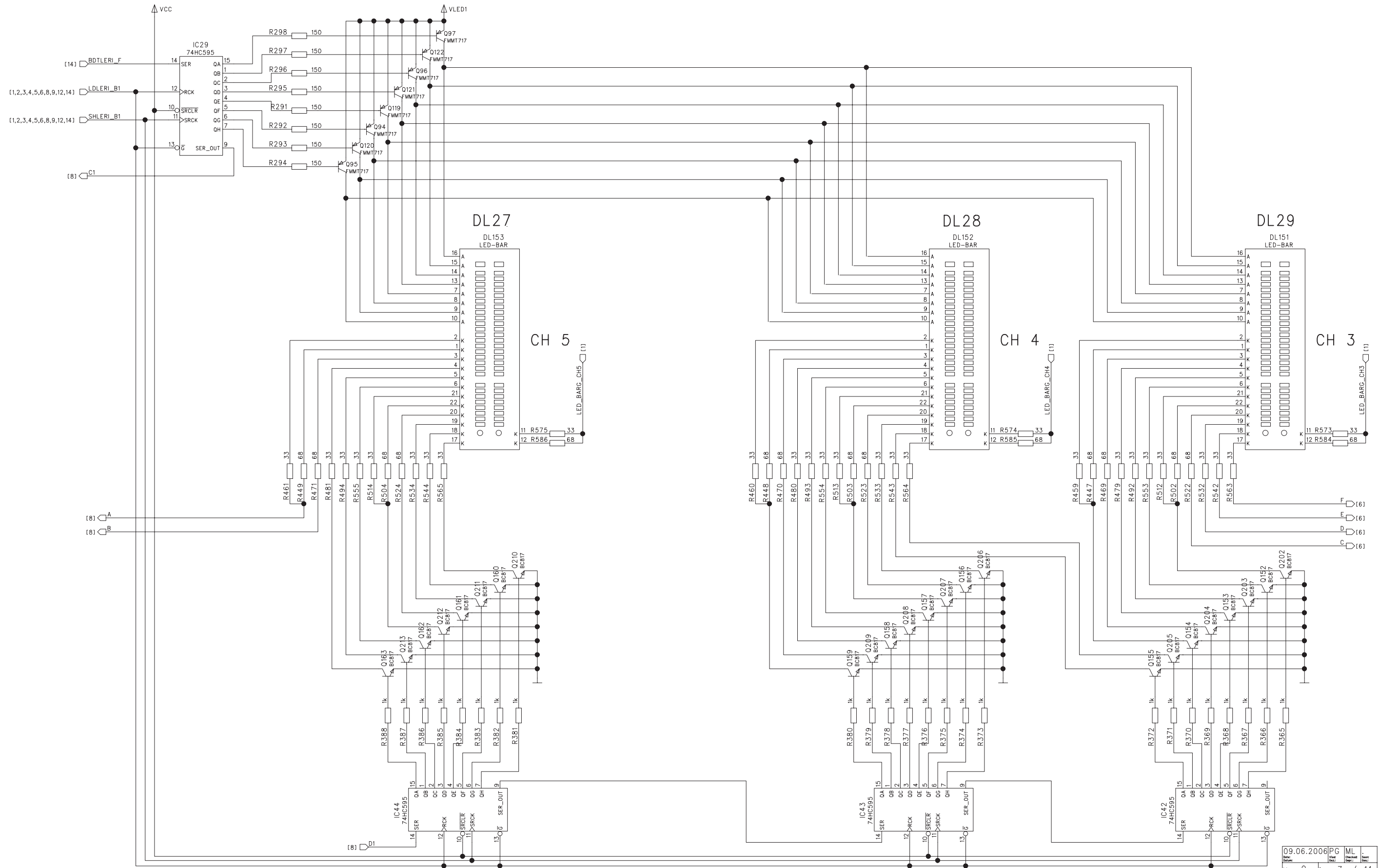


Fader Front PCB, Extended 1.949.831.00 (1)

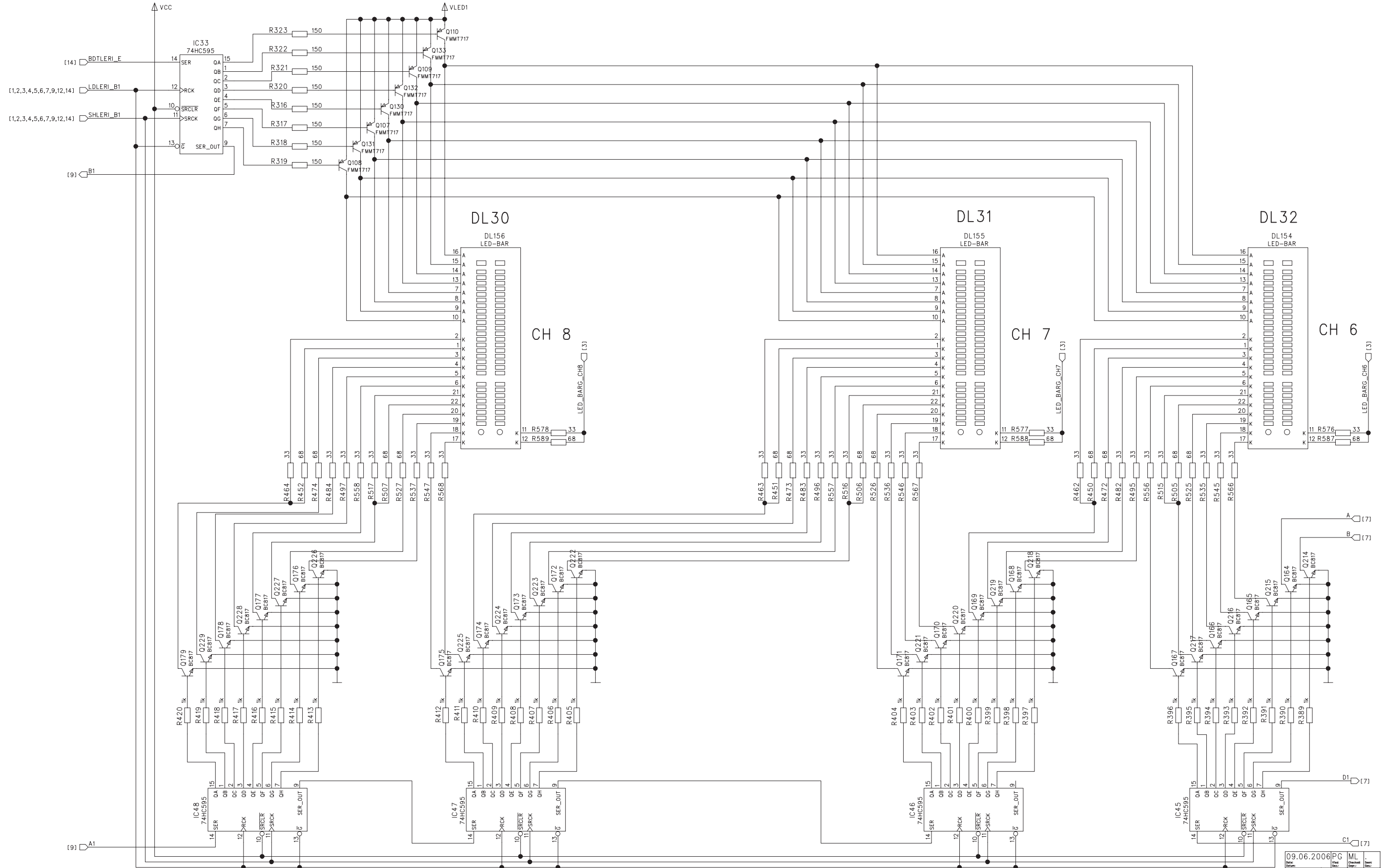


Date:	09.06.2006	PG:	IML	1.
Issue:	0	Page:	5	/ 14

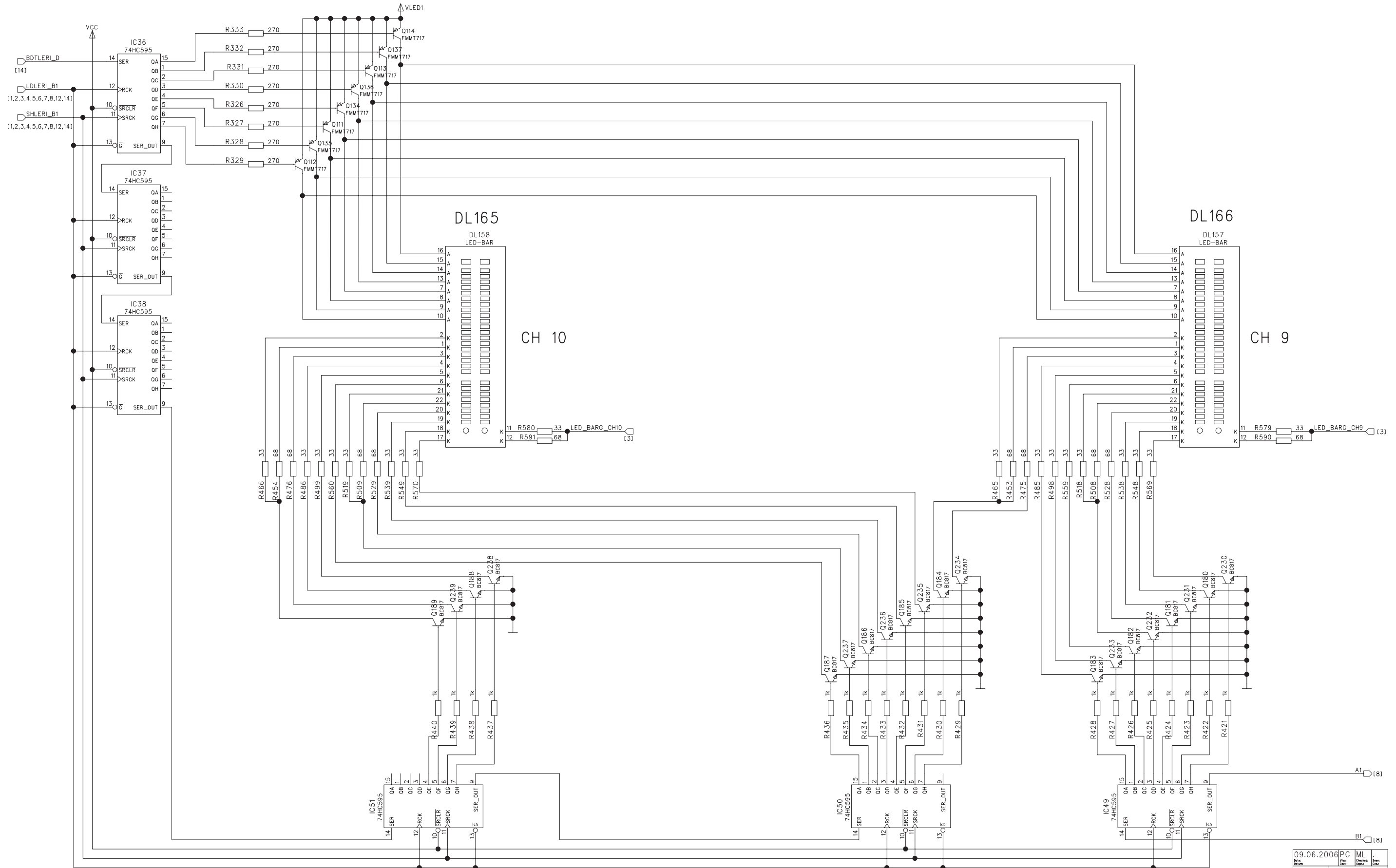




Fader Front PCB, Extended 1.949.831.00 (1)

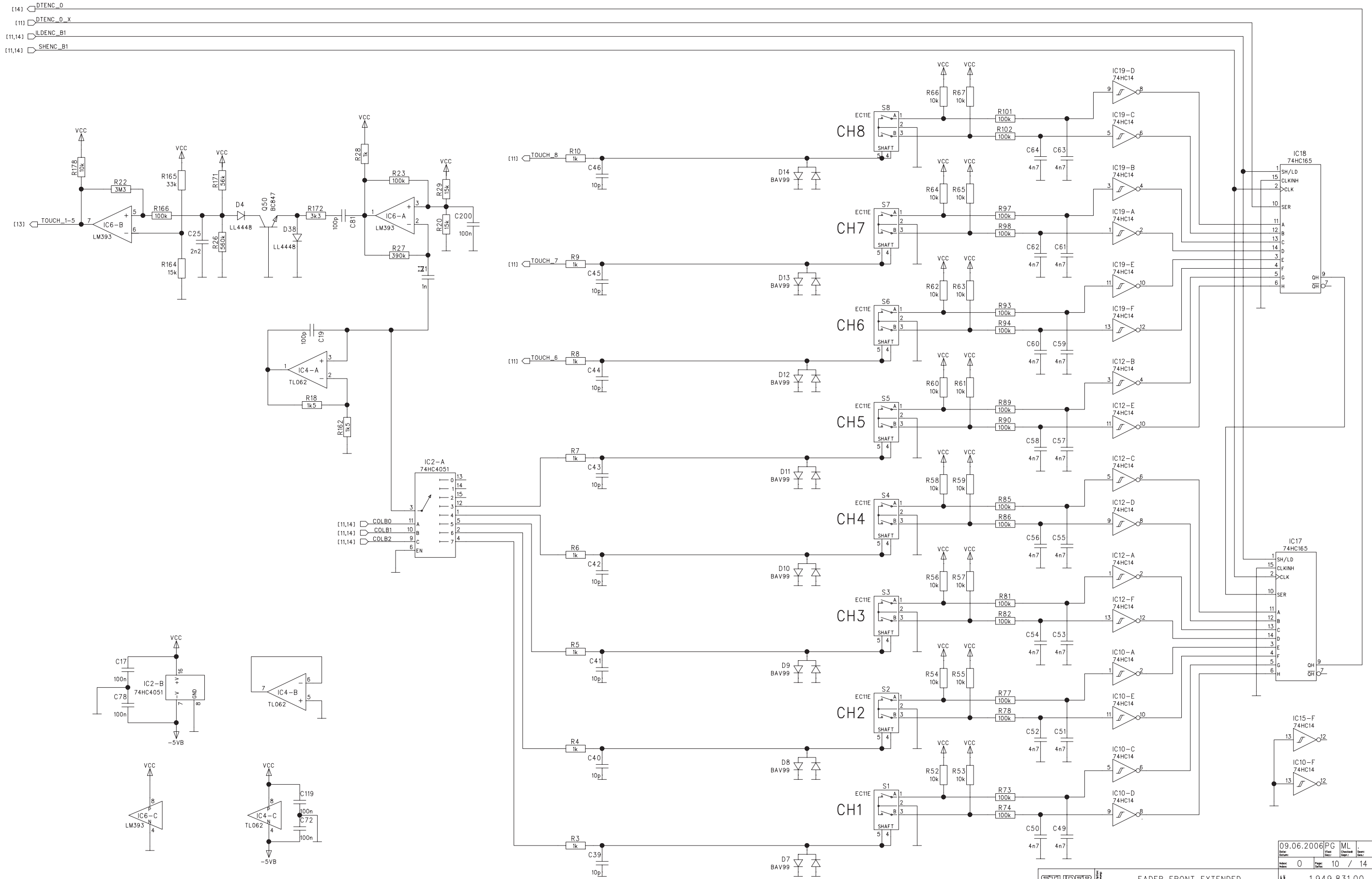


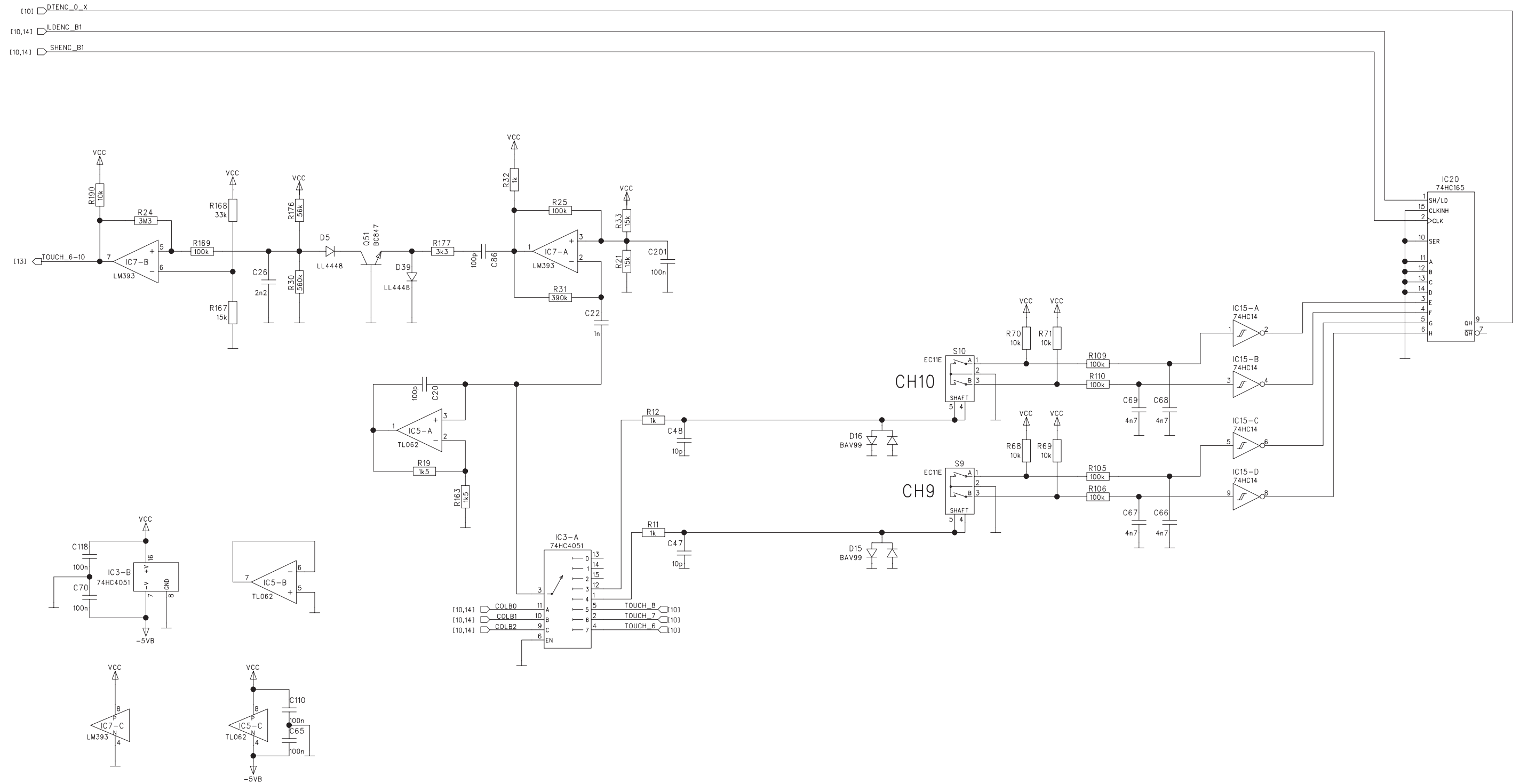
09.06.2006	PG	IML	.
0	8	14	

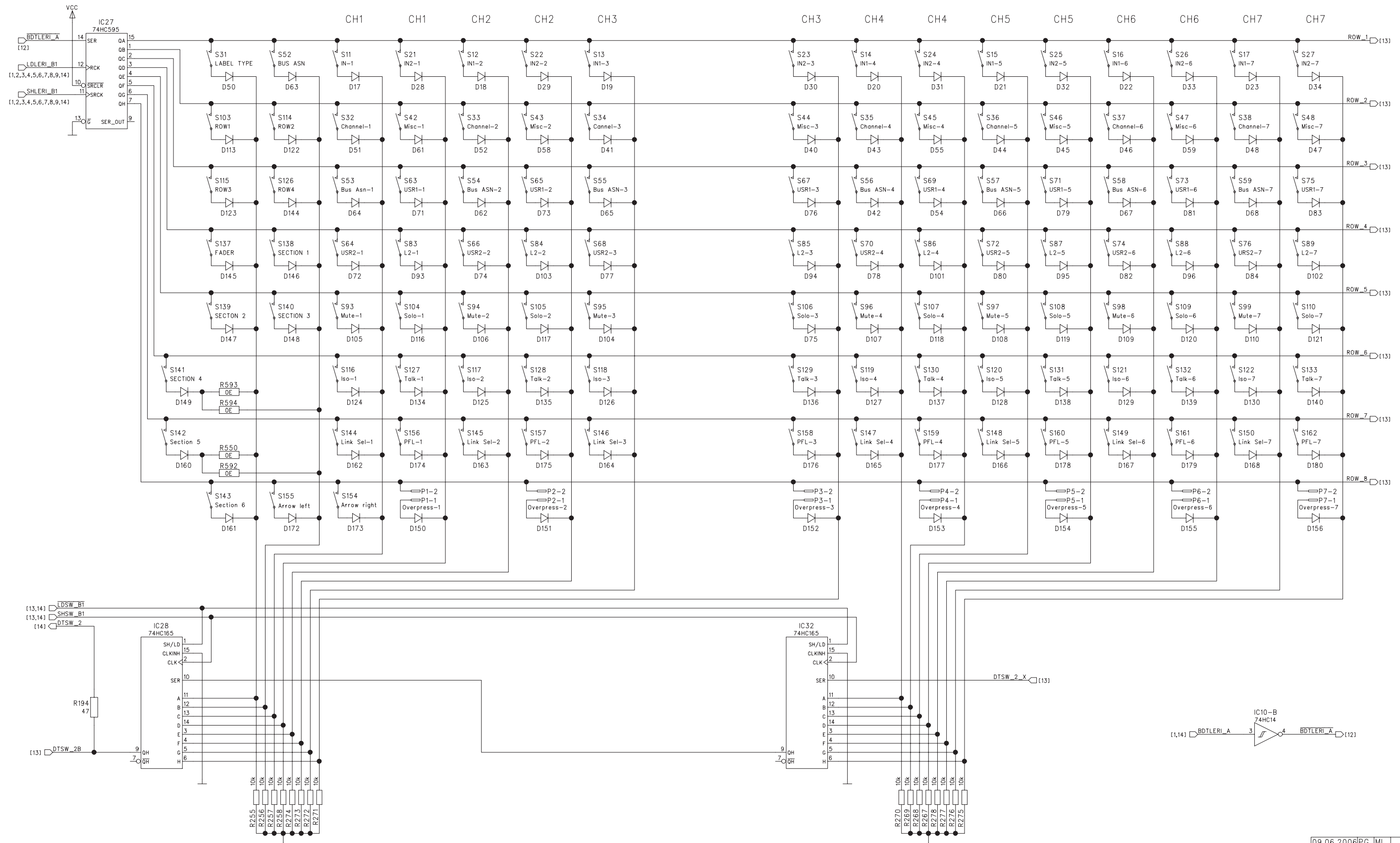


09.06.2006	PG	IML	.
0	9	14	

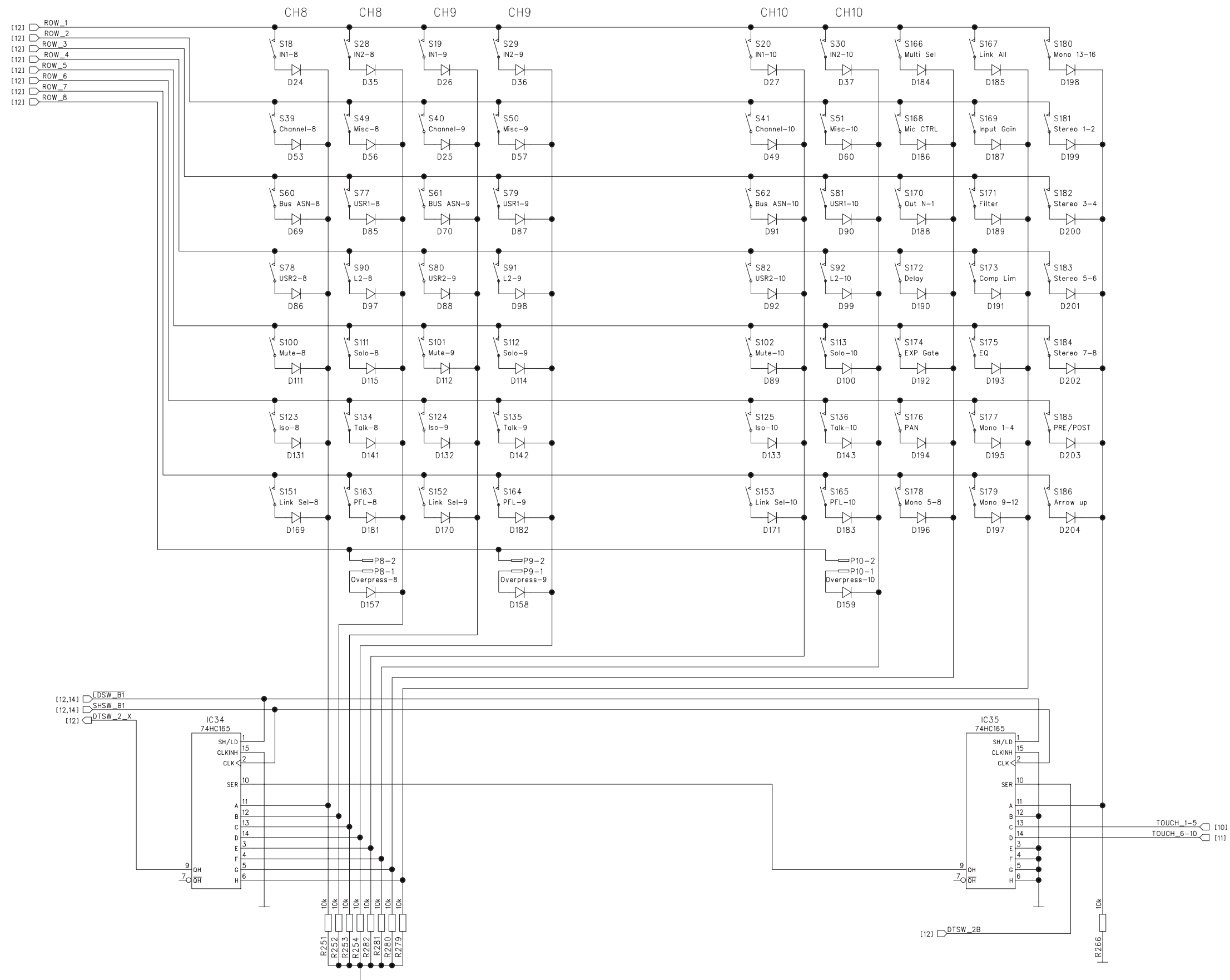
Fader Front PCB, Extended 1.949.831.00 (1)

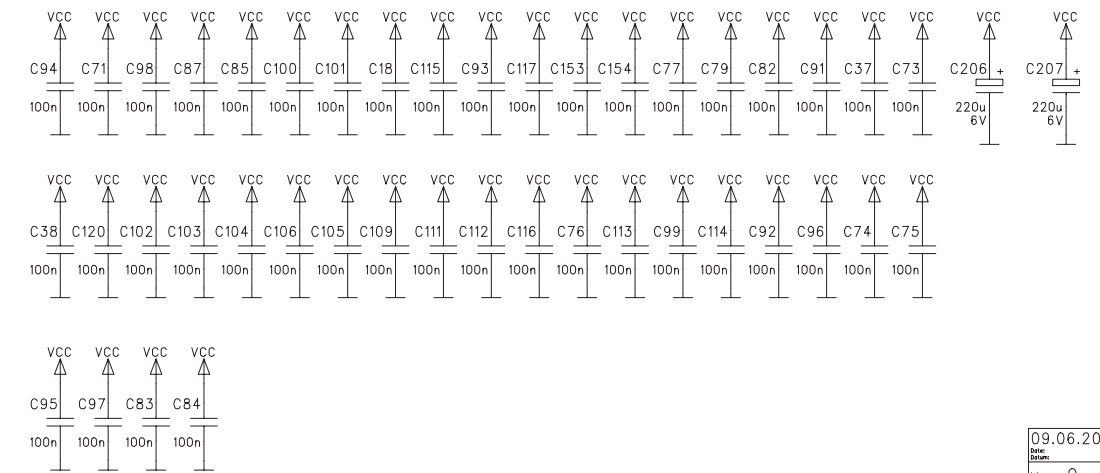
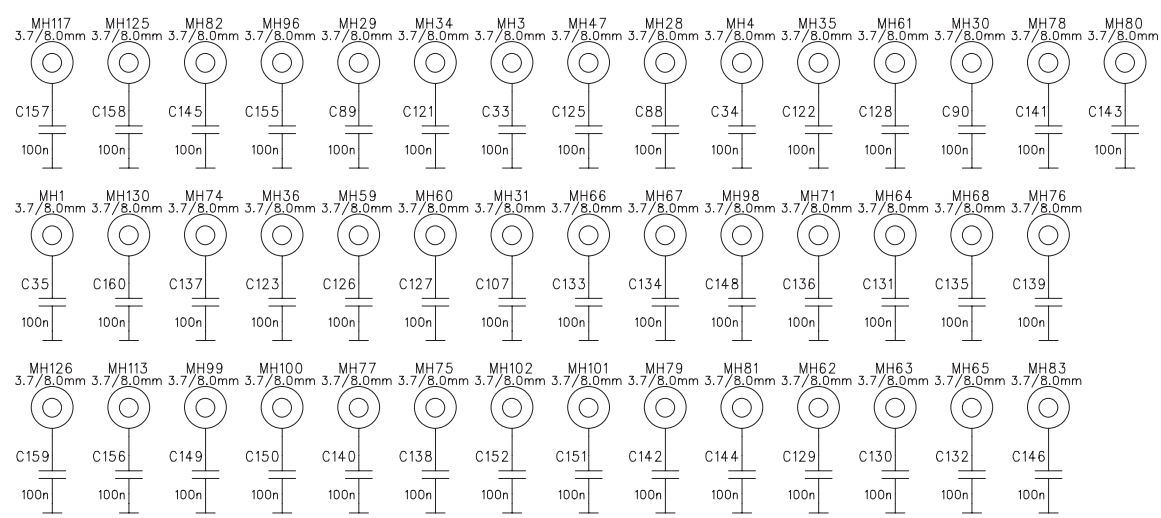
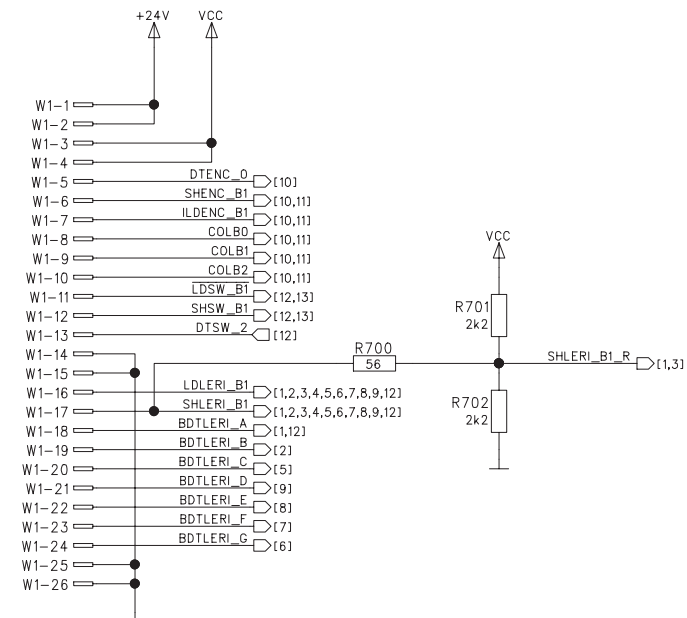
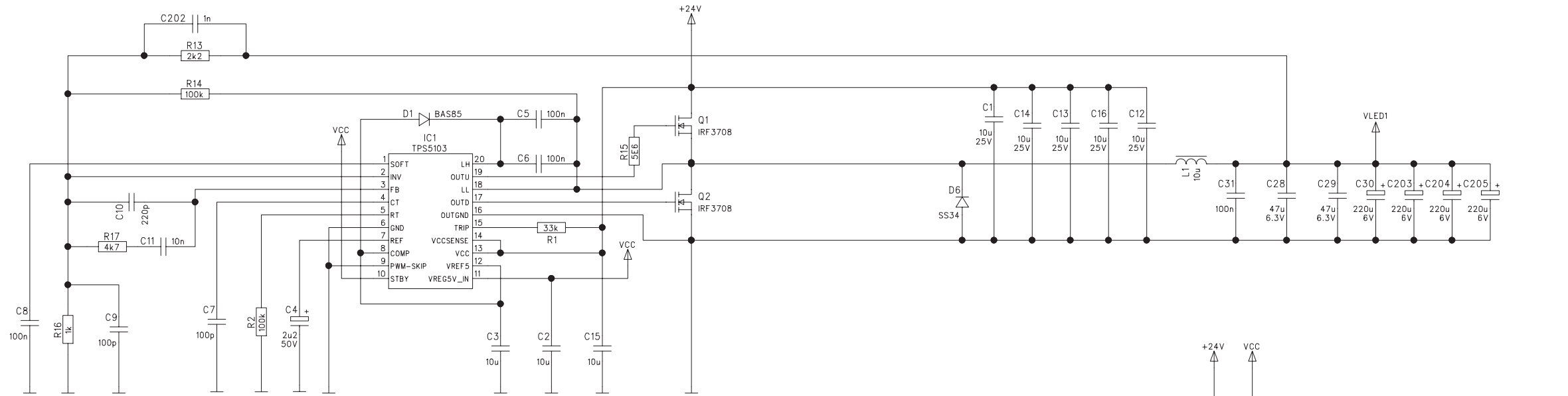




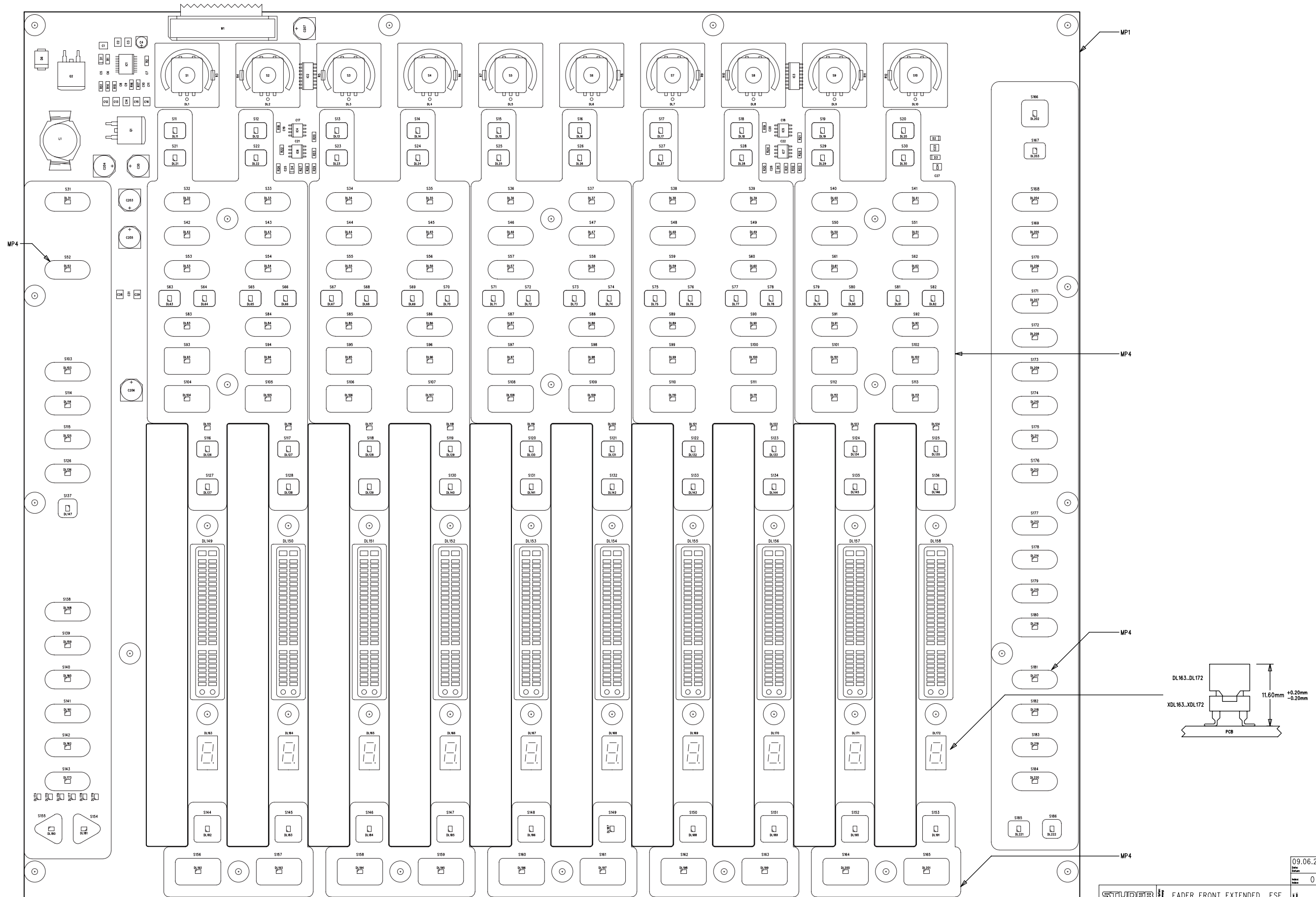


09.06.2006		PG	ML	
Index	0	Page	12 / 14	
Order		Date		1.949.831.00

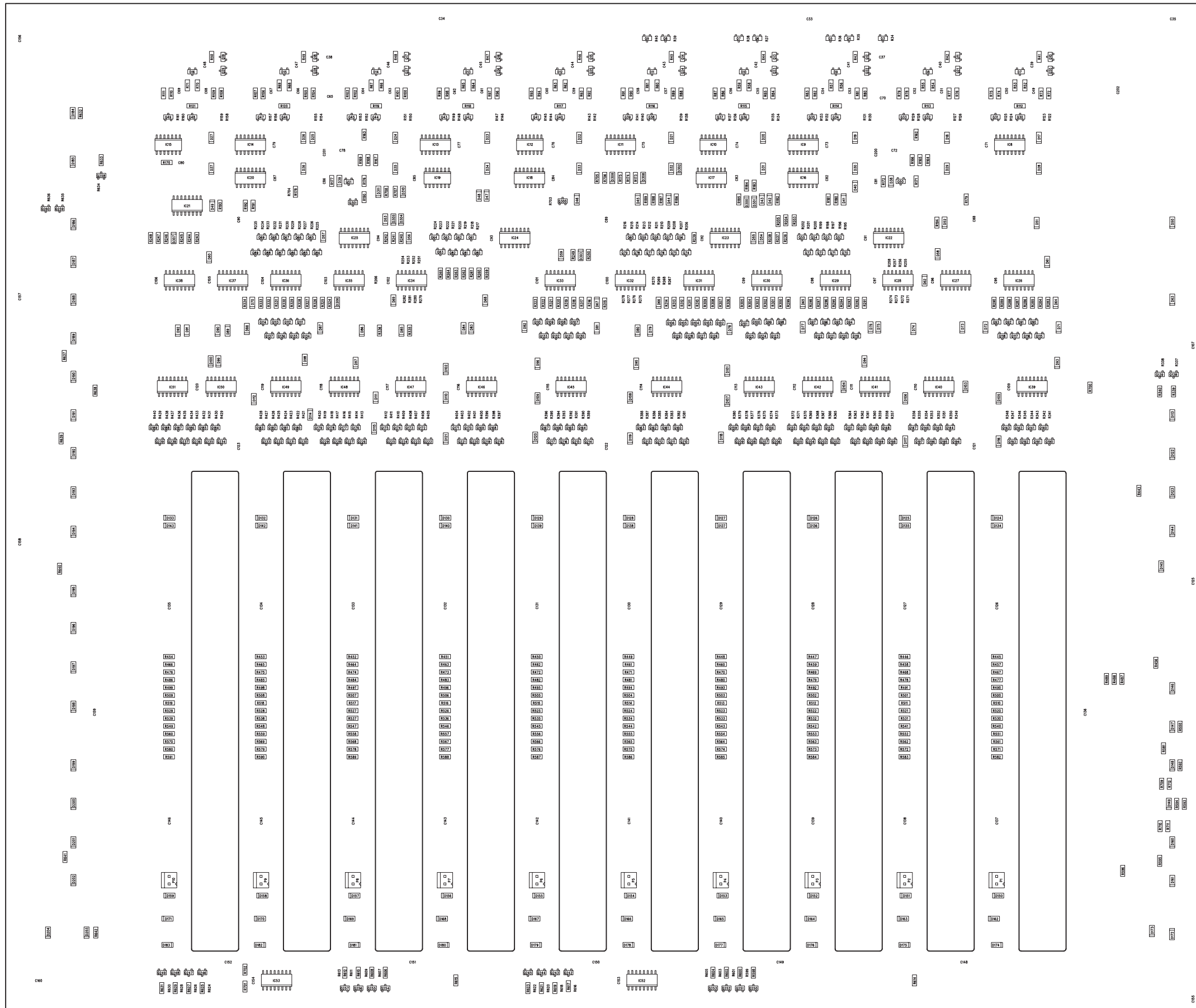




Fader Front PCB, Extended 1.949.831.00 (1)



Fader Front PCB, Extended 1.949.831.00 (1)



09.06.2006	PG	ML	.
0	Page	2	/ 2

Fader Front PCB, Extended 1.949.831.00 (1)

Idx. Pos.	Part No.	Qty.	Type/Val.	Description	Idx. Pos.	Part No.	Qty.	Type/Val.	Description
0 R 518	57.60.1330	1 pce	33R	MF, 1%, 0204, E24	0 R 622	57.69.1073	1 pce	1k0	CF 5% 0603
0 R 519	57.60.1330	1 pce	33R	MF, 1%, 0204, E24	0 R 623	57.60.1390	1 pce	39R	MF, 1%, 0204, E24
0 R 520	57.60.1680	1 pce	68R	MF, 1%, 0204, E24	0 R 624	57.69.1073	1 pce	1k0	CF 5% 0603
0 R 521	57.60.1680	1 pce	68R	MF, 1%, 0204, E24	0 R 625	57.60.1390	1 pce	39R	MF, 1%, 0204, E24
0 R 522	57.60.1680	1 pce	68R	MF, 1%, 0204, E24	0 R 626	57.69.1073	1 pce	1k0	CF 5% 0603
0 R 523	57.60.1680	1 pce	68R	MF, 1%, 0204, E24	0 R 627	57.60.1390	1 pce	39R	MF, 1%, 0204, E24
0 R 524	57.60.1680	1 pce	68R	MF, 1%, 0204, E24	0 R 628	57.69.1073	1 pce	1k0	CF 5% 0603
0 R 525	57.60.1680	1 pce	68R	MF, 1%, 0204, E24	0 R 629	57.60.1390	1 pce	39R	MF, 1%, 0204, E24
0 R 526	57.60.1680	1 pce	68R	MF, 1%, 0204, E24	0 R 630	57.69.1073	1 pce	1k0	CF 5% 0603
0 R 527	57.60.1680	1 pce	68R	MF, 1%, 0204, E24	0 R 631	57.60.1390	1 pce	39R	MF, 1%, 0204, E24
0 R 528	57.60.1680	1 pce	68R	MF, 1%, 0204, E24	0 R 632	57.60.1270	1 pce	27R	MF, 1%, 0204, E24
0 R 529	57.60.1680	1 pce	68R	MF, 1%, 0204, E24	0 R 633	57.60.1680	1 pce	68R	MF, 1%, 0204, E24
0 R 530	57.60.1330	1 pce	33R	MF, 1%, 0204, E24	0 R 634	57.69.1073	1 pce	1k0	CF 5% 0603
0 R 531	57.60.1330	1 pce	33R	MF, 1%, 0204, E24	0 R 635	57.69.1073	1 pce	1k0	CF 5% 0603
0 R 532	57.60.1330	1 pce	33R	MF, 1%, 0204, E24	0 R 636	57.69.1073	1 pce	1k0	CF 5% 0603
0 R 533	57.60.1330	1 pce	33R	MF, 1%, 0204, E24	0 R 637	57.60.1270	1 pce	27R	MF, 1%, 0204, E24
0 R 534	57.60.1330	1 pce	33R	MF, 1%, 0204, E24	0 R 638	57.60.1270	1 pce	27R	MF, 1%, 0204, E24
0 R 535	57.60.1330	1 pce	33R	MF, 1%, 0204, E24	0 R 639	57.60.1270	1 pce	27R	MF, 1%, 0204, E24
0 R 536	57.60.1330	1 pce	33R	MF, 1%, 0204, E24	0 R 640	57.60.1470	1 pce	47R	MF, 1%, 0204, E24
0 R 537	57.60.1330	1 pce	33R	MF, 1%, 0204, E24	0 R 641	57.60.1470	1 pce	47R	MF, 1%, 0204, E24
0 R 538	57.60.1330	1 pce	33R	MF, 1%, 0204, E24	0 R 642	57.60.1270	1 pce	27R	MF, 1%, 0204, E24
0 R 539	57.60.1330	1 pce	33R	MF, 1%, 0204, E24	0 R 700	57.60.1560	1 pce	56R	MF, 1%, 0204, E24
0 R 540	57.60.1330	1 pce	33R	MF, 1%, 0204, E24	0 R 701	57.60.1222	1 pce	2k2	MF, 1%, 0204, E24
0 R 541	57.60.1330	1 pce	33R	MF, 1%, 0204, E24	0 R 702	57.60.1222	1 pce	2k2	MF, 1%, 0204, E24
0 R 542	57.60.1330	1 pce	33R	MF, 1%, 0204, E24	0 R 703	57.69.1073	1 pce	1k0	CF 5% 0603
0 R 543	57.60.1330	1 pce	33R	MF, 1%, 0204, E24	0 R 704	57.69.1073	1 pce	1k0	CF 5% 0603
0 R 544	57.60.1330	1 pce	33R	MF, 1%, 0204, E24	0 R 705	57.60.1121	1 pce	120R	MF, 1%, 0204, E24
0 R 545	57.60.1330	1 pce	33R	MF, 1%, 0204, E24	0 R 706	57.60.1121	1 pce	120R	MF, 1%, 0204, E24
0 R 546	57.60.1330	1 pce	33R	MF, 1%, 0204, E24	0 R 707	57.60.1121	1 pce	120R	MF, 1%, 0204, E24
0 R 547	57.60.1330	1 pce	33R	MF, 1%, 0204, E24	0 R 708	57.60.1121	1 pce	120R	MF, 1%, 0204, E24
0 R 548	57.60.1330	1 pce	33R	MF, 1%, 0204, E24	0 R 709	57.60.1000	1 pce	0R0	MF, 0204
0 R 549	57.60.1330	1 pce	33R	MF, 1%, 0204, E24	0 R 710	57.60.1000	1 pce	0R0	MF, 0204
0 R 550	57.60.1000	1 pce	0R0	MF, 0204	0 R 711	not used	1 pce	27R	MF, 1%, 0204, E24
0 R 551	57.60.1330	1 pce	33R	MF, 1%, 0204, E24	0 R 712	not used	1 pce	27R	MF, 1%, 0204, E24
0 R 552	57.60.1330	1 pce	33R	MF, 1%, 0204, E24	0 S 1	55.12.1304	1 pce	N=18	Encoder
0 R 553	57.60.1330	1 pce	33R	MF, 1%, 0204, E24	0 S 2	55.12.1304	1 pce	N=18	Encoder
0 R 554	57.60.1330	1 pce	33R	MF, 1%, 0204, E24	0 S 3	55.12.1304	1 pce	N=18	Encoder
0 R 555	57.60.1330	1 pce	33R	MF, 1%, 0204, E24	0 S 4	55.12.1304	1 pce	N=18	Encoder
0 R 556	57.60.1330	1 pce	33R	MF, 1%, 0204, E24	0 S 5	55.12.1304	1 pce	N=18	Encoder
0 R 557	57.60.1330	1 pce	33R	MF, 1%, 0204, E24	0 S 6	55.12.1304	1 pce	N=18	Encoder
0 R 558	57.60.1330	1 pce	33R	MF, 1%, 0204, E24	0 S 7	55.12.1304	1 pce	N=18	Encoder
0 R 559	57.60.1330	1 pce	33R	MF, 1%, 0204, E24	0 S 8	55.12.1304	1 pce	N=18	Encoder
0 R 560	57.60.1330	1 pce	33R	MF, 1%, 0204, E24	0 S 9	55.12.1304	1 pce	N=18	Encoder
0 R 561	57.60.1330	1 pce	33R	MF, 1%, 0204, E24	0 S 10	55.12.1304	1 pce	N=18	Encoder
0 R 562	57.60.1330	1 pce	33R	MF, 1%, 0204, E24	0 W 1	1.023.112.20	1 pce		FLACHKABEL 26 POL. 0.07M
0 R 563	57.60.1330	1 pce	33R	MF, 1%, 0204, E24	0 XDL 16	53.60.0110	1 pce	10p	DIL 0.3", SMD
0 R 564	57.60.1330	1 pce	33R	MF, 1%, 0204, E24	0 XDL 16	53.60.0110	1 pce	10p	DIL 0.3", SMD
0 R 565	57.60.1330	1 pce	33R	MF, 1%, 0204, E24	0 XDL 16	53.60.0110	1 pce	10p	DIL 0.3", SMD
0 R 566	57.60.1330	1 pce	33R	MF, 1%, 0204, E24	0 XDL 16	53.60.0110	1 pce	10p	DIL 0.3", SMD
0 R 567	57.60.1330	1 pce	33R	MF, 1%, 0204, E24	0 XDL 16	53.60.0110	1 pce	10p	DIL 0.3", SMD
0 R 568	57.60.1330	1 pce	33R	MF, 1%, 0204, E24	0 XDL 16	53.60.0110	1 pce	10p	DIL 0.3", SMD
0 R 569	57.60.1330	1 pce	33R	MF, 1%, 0204, E24	0 XDL 16	53.60.0110	1 pce	10p	DIL 0.3", SMD
0 R 570	57.60.1330	1 pce	33R	MF, 1%, 0204, E24	0 XDL 17	53.60.0110	1 pce	10p	DIL 0.3", SMD
0 R 571	57.60.1330	1 pce	33R	MF, 1%, 0204, E24	0 XDL 17	53.60.0110	1 pce	10p	DIL 0.3", SMD
0 R 572	57.60.1330	1 pce	33R	MF, 1%, 0204, E24	0 XDL 17	53.60.0110	1 pce	10p	DIL 0.3", SMD
0 R 573	57.60.1330	1 pce	33R	MF, 1%, 0204, E24					
0 R 574	57.60.1330	1 pce	33R	MF, 1%, 0204, E24					
0 R 575	57.60.1330	1 pce	33R	MF, 1%, 0204, E24					
0 R 576	57.60.1330	1 pce	33R	MF, 1%, 0204, E24					
0 R 577	57.60.1330	1 pce	33R	MF, 1%, 0204, E24					
0 R 578	57.60.1330	1 pce	33R	MF, 1%, 0204, E24					
0 R 579	57.60.1330	1 pce	33R	MF, 1%, 0204, E24					
0 R 580	57.60.1330	1 pce	33R	MF, 1%, 0204, E24					
0 R 581	57.60.1270	1 pce	27R	MF, 1%, 0204, E24					
0 R 582	57.60.1680	1 pce	68R	MF, 1%, 0204, E24					
0 R 583	57.60.1680	1 pce	68R	MF, 1%, 0204, E24					
0 R 584	57.60.1680	1 pce	68R	MF, 1%, 0204, E24					
0 R 585	57.60.1680	1 pce	68R	MF, 1%, 0204, E24					
0 R 586	57.60.1680	1 pce	68R	MF, 1%, 0204, E24					
0 R 587	57.60.1680	1 pce	68R	MF, 1%, 0204, E24					
0 R 588	57.60.1680	1 pce	68R	MF, 1%, 0204, E24					
0 R 589	57.60.1680	1 pce	68R	MF, 1%, 0204, E24					
0 R 590	57.60.1680	1 pce	68R	MF, 1%, 0204, E24					
0 R 591	57.60.1680	1 pce	68R	MF, 1%, 0204, E24					
0 R 592	not used	1 pce	0R0	MF, 0204					
0 R 593	57.60.1000	1 pce	0R0	MF, 0204					
0 R 594	not used	1 pce	0R0	MF, 0204					
0 R 595	57.60.1270	1 pce	27R	MF, 1%, 0204, E24					
0 R 596	57.60.1270	1 pce	27R	MF, 1%, 0204, E24					
0 R 598	57.60.1390	1 pce	39R	MF, 1%, 0204, E24					
0 R 599	57.69.1073	1 pce	1k0	CF 5% 0603					
0 R 600	57.60.1390	1 pce	39R	MF, 1%, 0204, E24					
0 R 601	57.69.1073	1 pce	1k0	CF 5% 0603					
0 R 602	57.60.1390	1 pce	39R	MF, 1%, 0204, E24					
0 R 603	57.69.1073	1 pce	1k0	CF 5% 0603					
0 R 604	57.60.1390	1 pce	39R	MF, 1%, 0204, E24					
0 R 605	57.69.1073	1 pce	1k0	CF 5% 0603					
0 R 606	57.60.1390	1 pce	39R	MF, 1%, 0204, E24					
0 R 607	57.69.1073	1 pce	1k0	CF 5% 0603					
0 R 608	57.60.1390	1 pce	39R	MF, 1%, 0204, E24					
0 R 609	57.69.1073	1 pce	1k0	CF 5% 0603					
0 R 610	57.60.1390	1 pce	39R	MF, 1%, 0204, E24					
0 R 611	57.69.1073	1 pce	1k0	CF 5% 0603					
0 R 612	57.60.1390	1 pce	39R	MF, 1%, 0204, E24					
0 R 613	57.69.1073	1 pce	1k0	CF 5% 0603					
0 R 614	57.60.1270	1 pce	27R	MF, 1%, 0204, E24					
0 R 615	57.60.1270	1 pce	27R	MF, 1%, 0204, E24					
0 R 616	57.69.1073	1 pce	1k0	CF 5% 0603					
0 R 617	57.60.1390	1 pce	39R	MF, 1%, 0204, E24					
0 R 618	57.69.1073	1 pce	1k0	CF 5% 0603					
0 R 619	57.60.1390	1 pce	39R	MF, 1%, 0204, E24					
0 R 620	57.69.1073	1 pce	1k0	CF 5% 0603					
0 R 621	57.60.1390	1 pce	39R	MF, 1%, 0204, E24					

End of List

Comments:

- (00) 09.06.06 PG
- (01) 07.09.06 C200,201->not used

Fader Front Rem PCB 1.949.833.00 (0)

Idx. Pos.	Part No.	Qty.	Type/Val.	Description
0 R 517	57.60.1330	1 pce	33R	MF, 1%, 0204, E24
0 R 518	57.60.1330	1 pce	33R	MF, 1%, 0204, E24
0 R 519	57.60.1330	1 pce	33R	MF, 1%, 0204, E24
0 R 520	57.60.1680	1 pce	68R	MF, 1%, 0204, E24
0 R 521	57.60.1680	1 pce	68R	MF, 1%, 0204, E24
0 R 522	57.60.1680	1 pce	68R	MF, 1%, 0204, E24
0 R 523	57.60.1680	1 pce	68R	MF, 1%, 0204, E24
0 R 524	57.60.1680	1 pce	68R	MF, 1%, 0204, E24
0 R 525	57.60.1680	1 pce	68R	MF, 1%, 0204, E24
0 R 526	57.60.1680	1 pce	68R	MF, 1%, 0204, E24
0 R 527	57.60.1680	1 pce	68R	MF, 1%, 0204, E24
0 R 528	57.60.1680	1 pce	68R	MF, 1%, 0204, E24
0 R 529	57.60.1680	1 pce	68R	MF, 1%, 0204, E24
0 R 530	57.60.1330	1 pce	33R	MF, 1%, 0204, E24
0 R 531	57.60.1330	1 pce	33R	MF, 1%, 0204, E24
0 R 532	57.60.1330	1 pce	33R	MF, 1%, 0204, E24
0 R 533	57.60.1330	1 pce	33R	MF, 1%, 0204, E24
0 R 534	57.60.1330	1 pce	33R	MF, 1%, 0204, E24
0 R 535	57.60.1330	1 pce	33R	MF, 1%, 0204, E24
0 R 536	57.60.1330	1 pce	33R	MF, 1%, 0204, E24
0 R 537	57.60.1330	1 pce	33R	MF, 1%, 0204, E24
0 R 538	57.60.1330	1 pce	33R	MF, 1%, 0204, E24
0 R 539	57.60.1330	1 pce	33R	MF, 1%, 0204, E24
0 R 540	57.60.1330	1 pce	33R	MF, 1%, 0204, E24
0 R 541	57.60.1330	1 pce	33R	MF, 1%, 0204, E24
0 R 542	57.60.1330	1 pce	33R	MF, 1%, 0204, E24
0 R 543	57.60.1330	1 pce	33R	MF, 1%, 0204, E24
0 R 544	57.60.1330	1 pce	33R	MF, 1%, 0204, E24
0 R 545	57.60.1330	1 pce	33R	MF, 1%, 0204, E24
0 R 546	57.60.1330	1 pce	33R	MF, 1%, 0204, E24
0 R 547	57.60.1330	1 pce	33R	MF, 1%, 0204, E24
0 R 548	57.60.1330	1 pce	33R	MF, 1%, 0204, E24
0 R 549	57.60.1330	1 pce	33R	MF, 1%, 0204, E24
0 R 550	not used		0R0	MF, 0204
0 R 551	57.60.1330	1 pce	33R	MF, 1%, 0204, E24
0 R 552	57.60.1330	1 pce	33R	MF, 1%, 0204, E24
0 R 553	57.60.1330	1 pce	33R	MF, 1%, 0204, E24
0 R 554	57.60.1330	1 pce	33R	MF, 1%, 0204, E24
0 R 555	57.60.1330	1 pce	33R	MF, 1%, 0204, E24
0 R 556	57.60.1330	1 pce	33R	MF, 1%, 0204, E24
0 R 557	57.60.1330	1 pce	33R	MF, 1%, 0204, E24
0 R 558	57.60.1330	1 pce	33R	MF, 1%, 0204, E24
0 R 559	57.60.1330	1 pce	33R	MF, 1%, 0204, E24
0 R 560	57.60.1330	1 pce	33R	MF, 1%, 0204, E24
0 R 561	57.60.1330	1 pce	33R	MF, 1%, 0204, E24
0 R 562	57.60.1330	1 pce	33R	MF, 1%, 0204, E24
0 R 563	57.60.1330	1 pce	33R	MF, 1%, 0204, E24
0 R 564	57.60.1330	1 pce	33R	MF, 1%, 0204, E24
0 R 565	57.60.1330	1 pce	33R	MF, 1%, 0204, E24
0 R 566	57.60.1330	1 pce	33R	MF, 1%, 0204, E24
0 R 567	57.60.1330	1 pce	33R	MF, 1%, 0204, E24
0 R 568	57.60.1330	1 pce	33R	MF, 1%, 0204, E24
0 R 569	57.60.1330	1 pce	33R	MF, 1%, 0204, E24
0 R 570	57.60.1330	1 pce	33R	MF, 1%, 0204, E24
0 R 571	57.60.1330	1 pce	33R	MF, 1%, 0204, E24
0 R 572	57.60.1330	1 pce	33R	MF, 1%, 0204, E24
0 R 573	57.60.1330	1 pce	33R	MF, 1%, 0204, E24
0 R 574	57.60.1330	1 pce	33R	MF, 1%, 0204, E24
0 R 575	57.60.1330	1 pce	33R	MF, 1%, 0204, E24
0 R 576	57.60.1330	1 pce	33R	MF, 1%, 0204, E24
0 R 577	57.60.1330	1 pce	33R	MF, 1%, 0204, E24
0 R 578	57.60.1330	1 pce	33R	MF, 1%, 0204, E24
0 R 579	57.60.1330	1 pce	33R	MF, 1%, 0204, E24
0 R 580	57.60.1330	1 pce	33R	MF, 1%, 0204, E24
0 R 581	57.60.1270	1 pce	27R	MF, 1%, 0204, E24
0 R 582	57.60.1680	1 pce	68R	MF, 1%, 0204, E24
0 R 583	57.60.1680	1 pce	68R	MF, 1%, 0204, E24
0 R 584	57.60.1680	1 pce	68R	MF, 1%, 0204, E24
0 R 585	57.60.1680	1 pce	68R	MF, 1%, 0204, E24
0 R 586	57.60.1680	1 pce	68R	MF, 1%, 0204, E24
0 R 587	57.60.1680	1 pce	68R	MF, 1%, 0204, E24
0 R 588	57.60.1680	1 pce	68R	MF, 1%, 0204, E24
0 R 589	57.60.1680	1 pce	68R	MF, 1%, 0204, E24
0 R 590	57.60.1680	1 pce	68R	MF, 1%, 0204, E24
0 R 591	57.60.1680	1 pce	68R	MF, 1%, 0204, E24
0 R 592	57.60.1000	1 pce	0R0	MF, 0204
0 R 593	not used		0R0	MF, 0204
0 R 594	57.60.1000	1 pce	0R0	MF, 0204
0 R 595	57.60.1270	1 pce	27R	MF, 1%, 0204, E24
0 R 596	57.60.1270	1 pce	27R	MF, 1%, 0204, E24
0 R 598	57.60.1390	1 pce	39R	MF, 1%, 0204, E24
0 R 599	57.69.1073	1 pce	1k0	CF 5% 0603
0 R 600	57.60.1390	1 pce	39R	MF, 1%, 0204, E24
0 R 601	57.69.1073	1 pce	1k0	CF 5% 0603
0 R 602	57.60.1390	1 pce	39R	MF, 1%, 0204, E24
0 R 603	57.69.1073	1 pce	1k0	CF 5% 0603
0 R 604	57.60.1390	1 pce	39R	MF, 1%, 0204, E24
0 R 605	57.69.1073	1 pce	1k0	CF 5% 0603
0 R 606	57.60.1390	1 pce	39R	MF, 1%, 0204, E24
0 R 607	57.69.1073	1 pce	1k0	CF 5% 0603
0 R 608	57.60.1390	1 pce	39R	MF, 1%, 0204, E24
0 R 609	57.69.1073	1 pce	1k0	CF 5% 0603
0 R 610	57.60.1390	1 pce	39R	MF, 1%, 0204, E24
0 R 611	57.69.1073	1 pce	1k0	CF 5% 0603
0 R 612	57.60.1390	1 pce	39R	MF, 1%, 0204, E24
0 R 613	57.69.1073	1 pce	1k0	CF 5% 0603
0 R 614	57.60.1270	1 pce	27R	MF, 1%, 0204, E24
0 R 615	57.60.1270	1 pce	27R	MF, 1%, 0204, E24
0 R 616	57.69.1073	1 pce	1k0	CF 5% 0603
0 R 617	57.60.1390	1 pce	39R	MF, 1%, 0204, E24
0 R 618	57.69.1073	1 pce	1k0	CF 5% 0603
0 R 619	57.60.1390	1 pce	39R	MF, 1%, 0204, E24
0 R 620	57.69.1073	1 pce	1k0	CF 5% 0603

Idx. Pos.	Part No.	Qty.	Type/Val.	Description
0 R 621	57.60.1390	1 pce	39R	MF, 1%, 0204, E24
0 R 622	57.69.1073	1 pce	1k0	CF 5% 0603
0 R 623	57.60.1390	1 pce	39R	MF, 1%, 0204, E24
0 R 624	57.69.1073	1 pce	1k0	CF 5% 0603
0 R 625	57.60.1390	1 pce	39R	MF, 1%, 0204, E24
0 R 626	57.69.1073	1 pce	1k0	CF 5% 0603
0 R 627	57.60.1390	1 pce	39R	MF, 1%, 0204, E24
0 R 628	57.69.1073	1 pce	1k0	CF 5% 0603
0 R 629	57.60.1390	1 pce	39R	MF, 1%, 0204, E24
0 R 630	57.69.1073	1 pce	1k0	CF 5% 0603
0 R 631	57.60.1390	1 pce	39R	MF, 1%, 0204, E24
0 R 632	57.60.1270	1 pce	27R	MF, 1%, 0204, E24
0 R 633	57.60.1680	1 pce	68R	MF, 1%, 0204, E24
0 R 634	57.69.1073	1 pce	1k0	CF 5% 0603
0 R 635	57.69.1073	1 pce	1k0	CF 5% 0603
0 R 636	57.69.1073	1 pce	1k0	CF 5% 0603
0 R 637	57.60.1270	1 pce	27R	MF, 1%, 0204, E24
0 R 638	57.60.1270	1 pce	27R	MF, 1%, 0204, E24
0 R 639	57.60.1270	1 pce	27R	MF, 1%, 0204, E24
0 R 640	57.60.1470	1 pce	47R	MF, 1%, 0204, E24
0 R 641	57.60.1470	1 pce	47R	MF, 1%, 0204, E24
0 R 642	57.60.1270	1 pce	27R	MF, 1%, 0204, E24
0 R 700	57.60.1560	1 pce	56R	MF, 1%, 0204, E24
0 R 701	57.60.1222	1 pce	2k2	MF, 1%, 0204, E24
0 R 702	57.60.1222	1 pce	2k2	MF, 1%, 0204, E24
0 R 703	57.69.1073	1 pce	1k0	CF 5% 0603
0 R 704	57.69.1073	1 pce	1k0	CF 5% 0603
0 R 705	57.60.1121	1 pce	120R	MF, 1%, 0204, E24
0 R 706	57.60.1121	1 pce	120R	MF, 1%, 0204, E24
0 R 707	57.60.1121	1 pce	120R	MF, 1%, 0204, E24
0 R 708	57.60.1121	1 pce	120R	MF, 1%, 0204, E24
0 R 709	not used		0R0	MF, 0204
0 R 710	not used		0R0	MF, 0204
0 R 711	57.60.1270	1 pce	27R	MF, 1%, 0204, E24
0 R 712	57.60.1270	1 pce	27R	MF, 1%, 0204, E24
0 S 1	55.12.1304	1 pce	N=18	Encoder
0 S 2	55.12.1304	1 pce	N=18	Encoder
0 S 3	55.12.1304	1 pce	N=18	Encoder
0 S 4	55.12.1304	1 pce	N=18	Encoder
0 S 5	55.12.1304	1 pce	N=18	Encoder
0 S 6	55.12.1304	1 pce	N=18	Encoder
0 S 7	55.12.1304	1 pce	N=18	Encoder
0 S 8	55.12.1304	1 pce	N=18	Encoder
0 S 9	55.12.1304	1 pce	N=18	Encoder
0 S 10	55.12.1304	1 pce	N=18	Encoder
0 W 1	1.023.112.20	1 pce		FLACKABEL 26 POL. 0,07M
0 XDL 16	53.60.0110	1 pce	10p	DIL 0.3", SMD
0 XDL 16	53.60.0110	1 pce	10p	DIL 0.3", SMD
0 XDL 16	53.60.0110	1 pce	10p	DIL 0.3", SMD
0 XDL 16	53.60.0110	1 pce	10p	DIL 0.3", SMD
0 XDL 16	53.60.0110	1 pce	10p	DIL 0.3", SMD
0 XDL 16	53.60.0110	1 pce	10p	DIL 0.3", SMD
0 XDL 16	53.60.0110	1 pce	10p	DIL 0.3", SMD
0 XDL 16	53.60.0110	1 pce	10p	DIL 0.3", SMD
0 XDL 16	53.60.0110	1 pce	10p	DIL 0.3", SMD
0 XDL 17	53.60.0110	1 pce	10p	DIL 0.3", SMD
0 XDL 17	53.60.0110	1 pce	10p	DIL 0.3", SMD

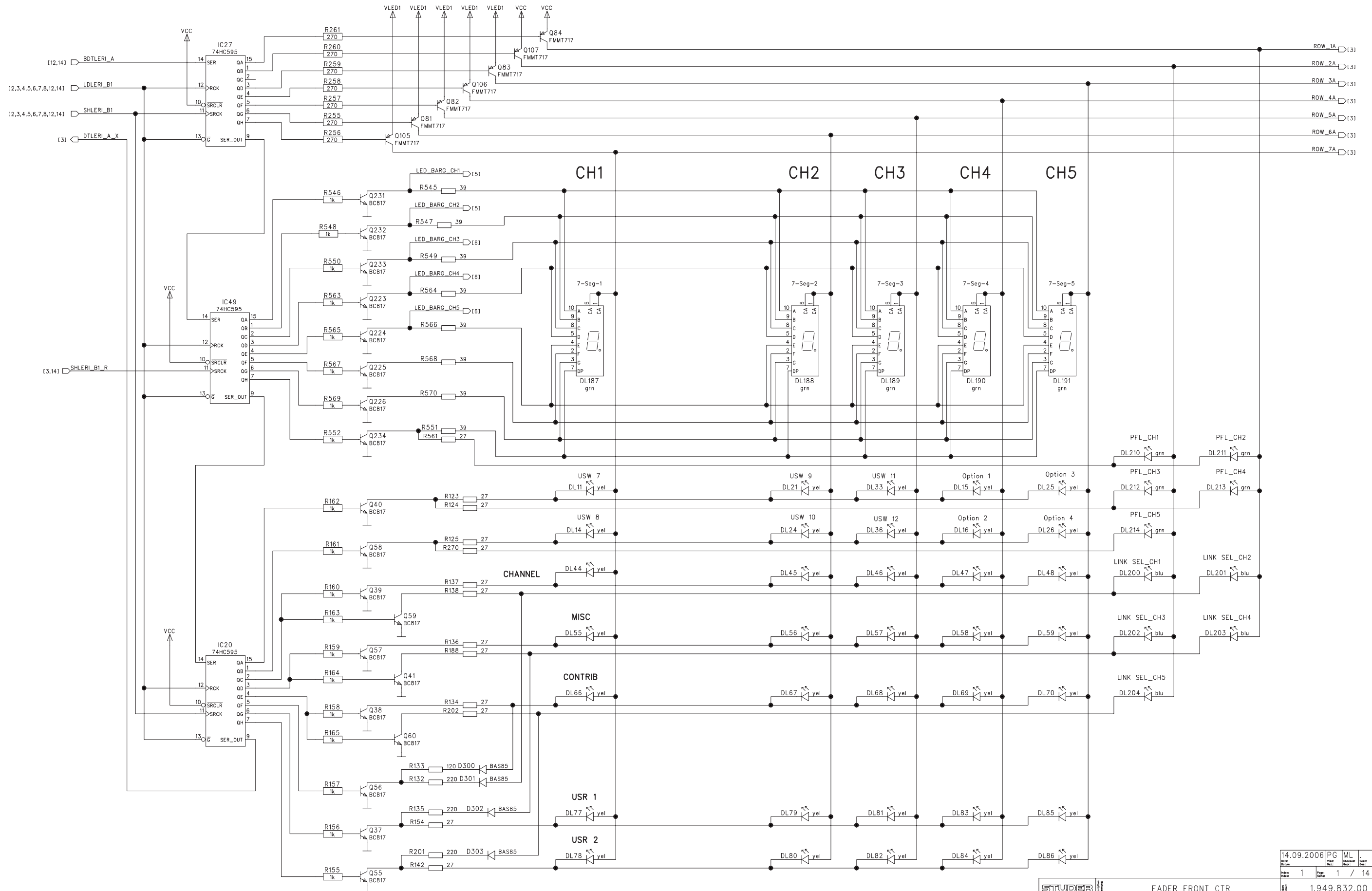
End of List

Comments:

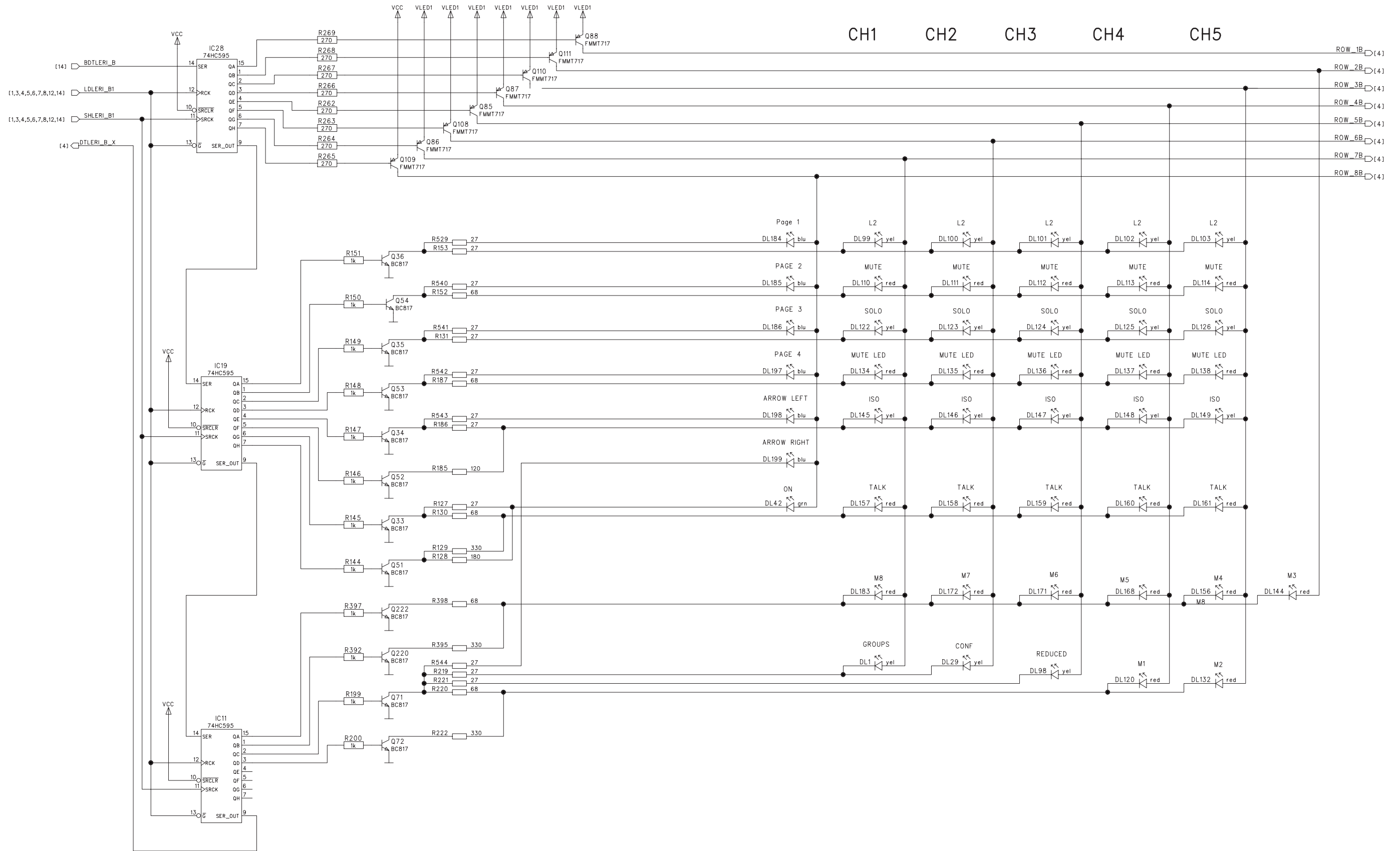
(00) 03.05.07 ML

Note:

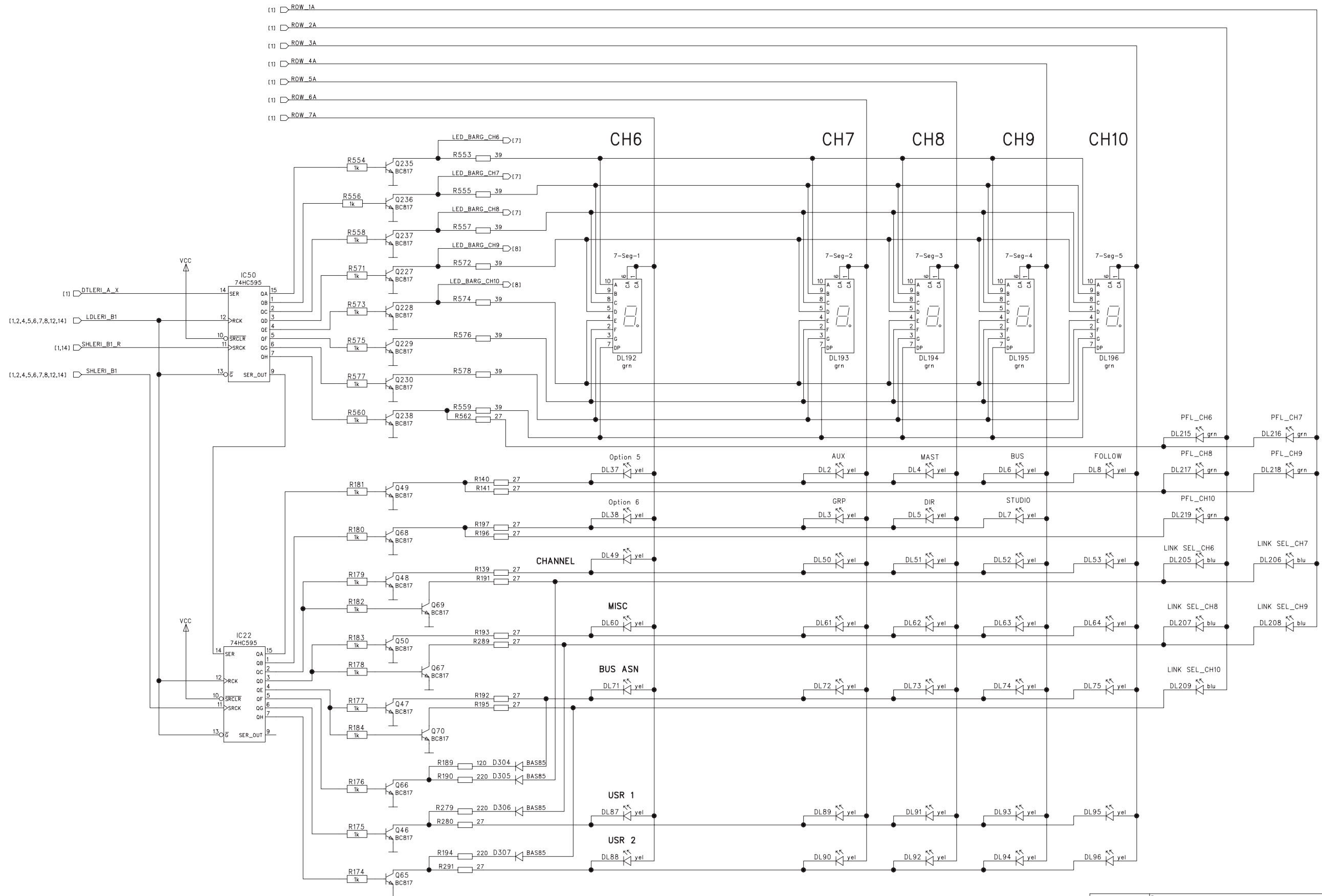
Cut off the lower part of 1.949.260.13 (with buttons "section")
 Insert part 1.949.260.16 (with buttons "lock bay", "section")

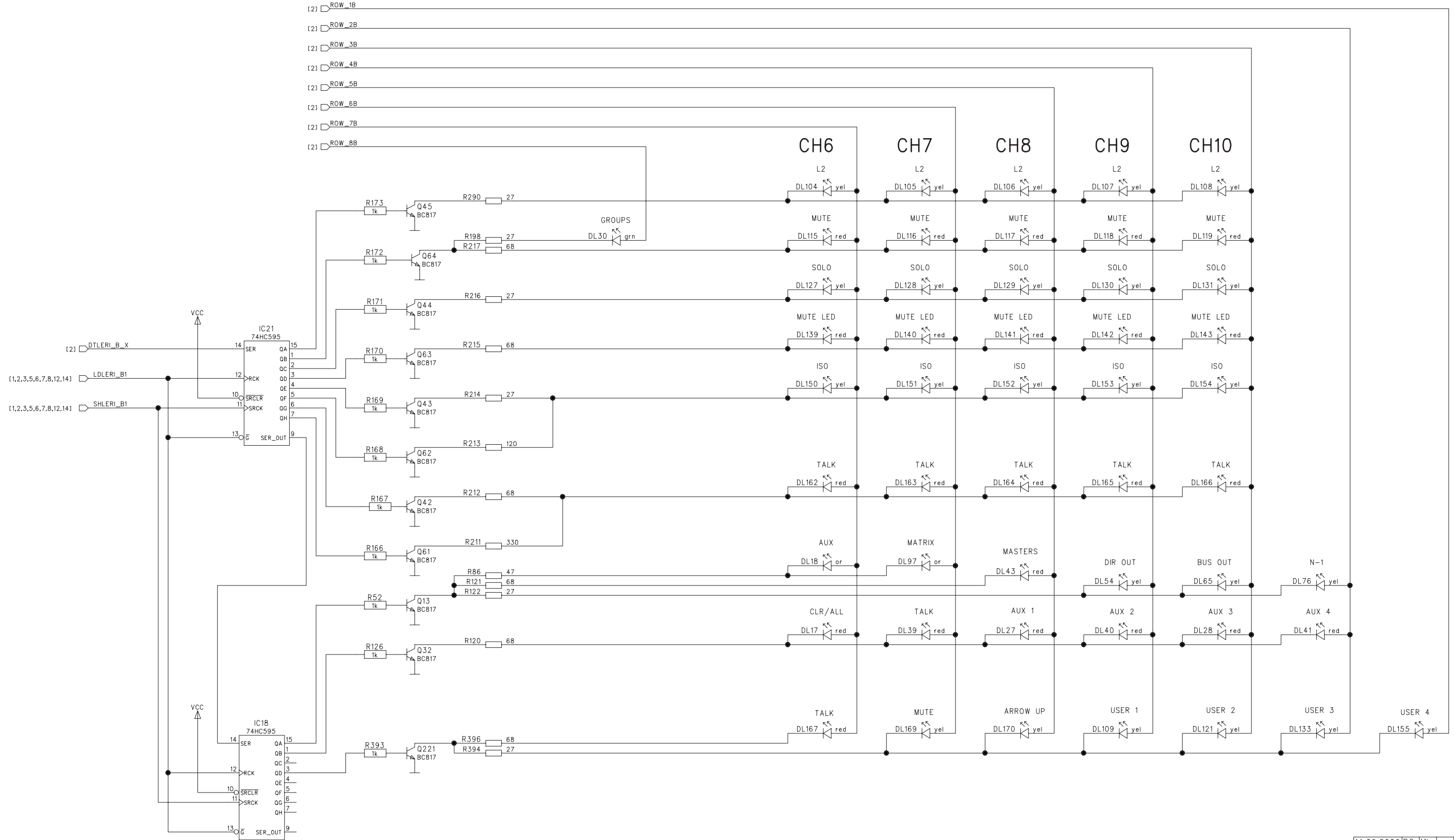


14.09.2006	PG	ML	
Index	1	Page	1 / 14
Version		Sheet	

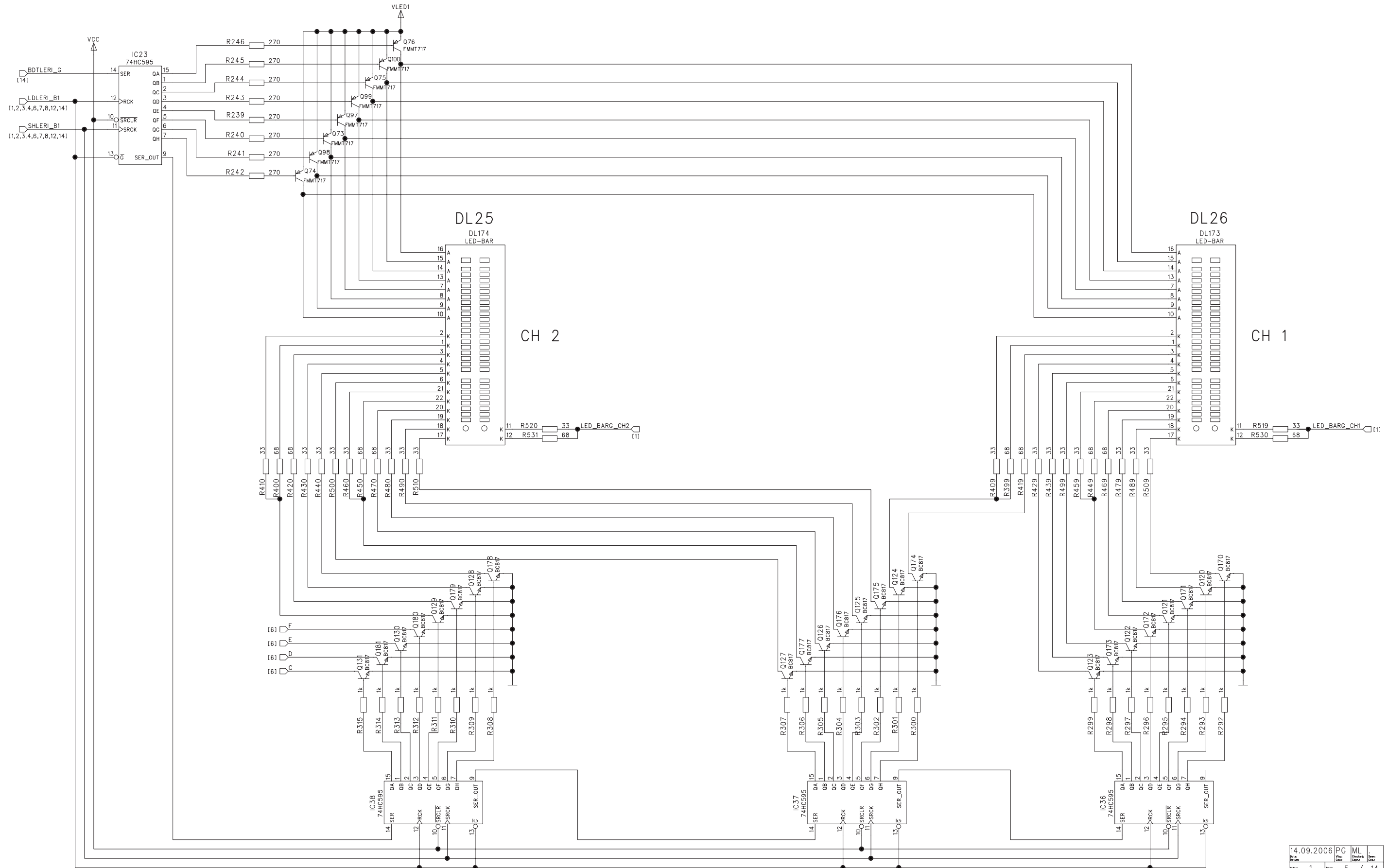


14.09.2006	PG	ML	
Index: 1	Page: 2	of: 14	

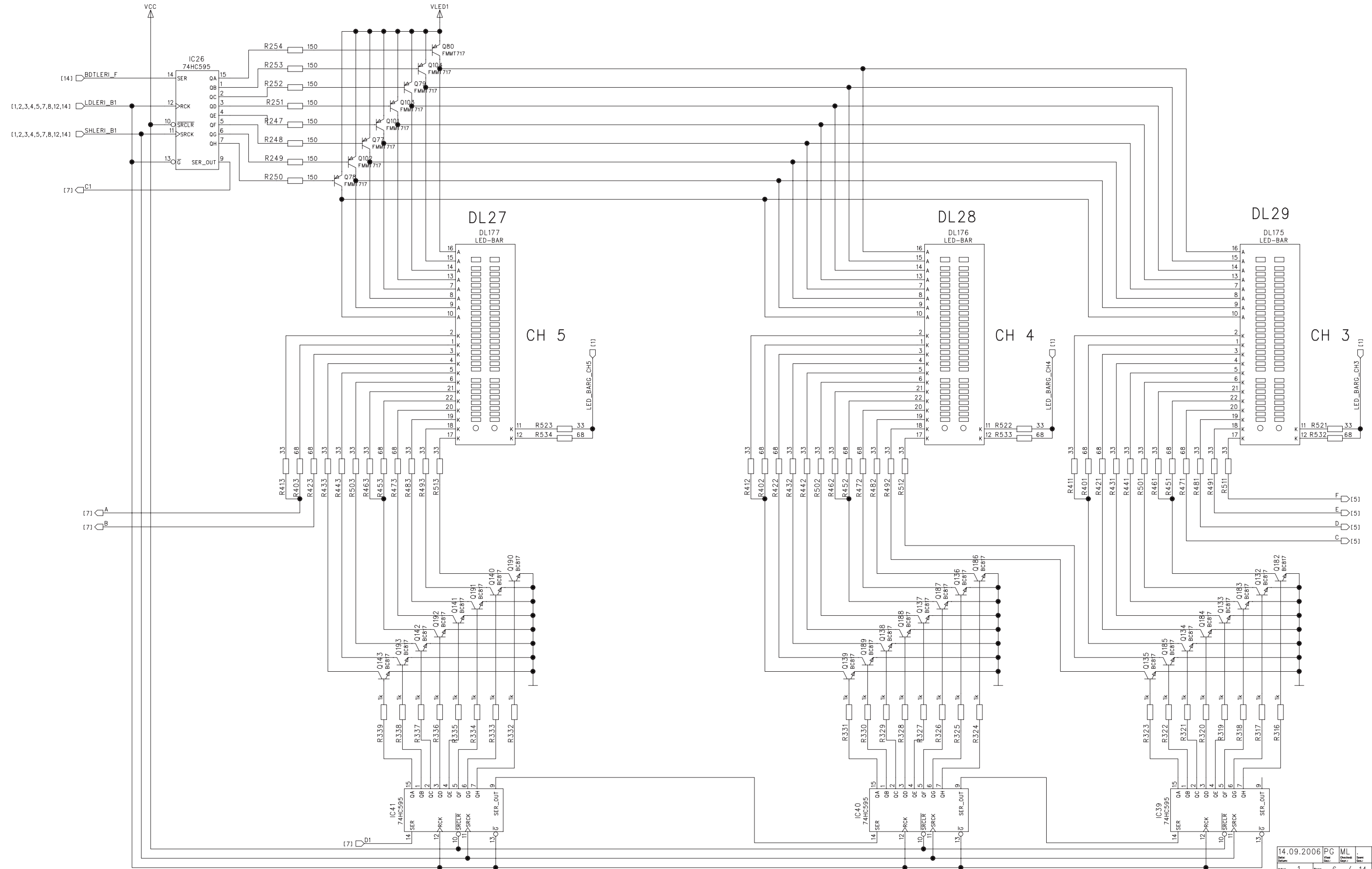




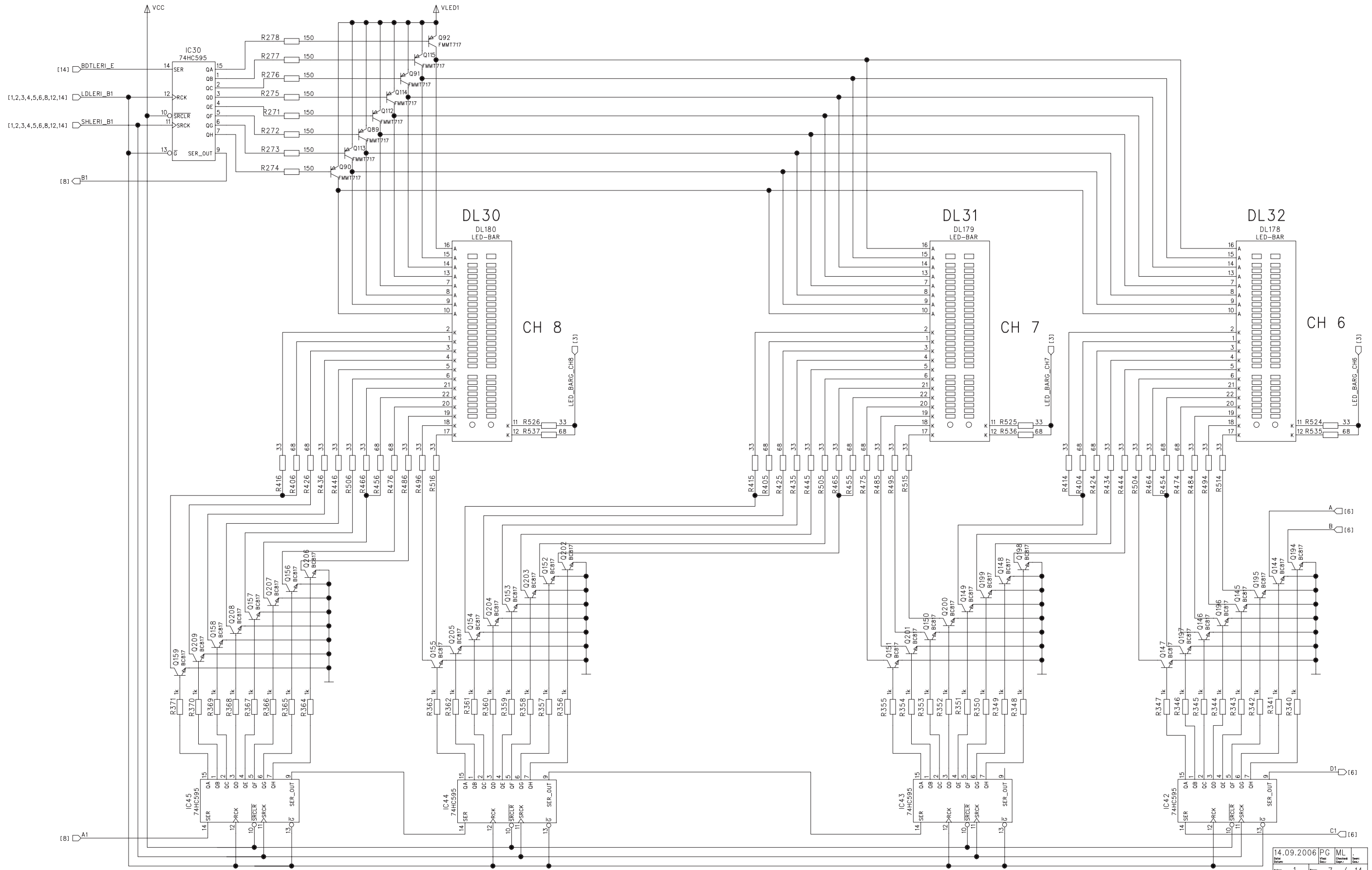
14.09.2006	PG	ML	
Index: 1	Page: 4	of: 14	



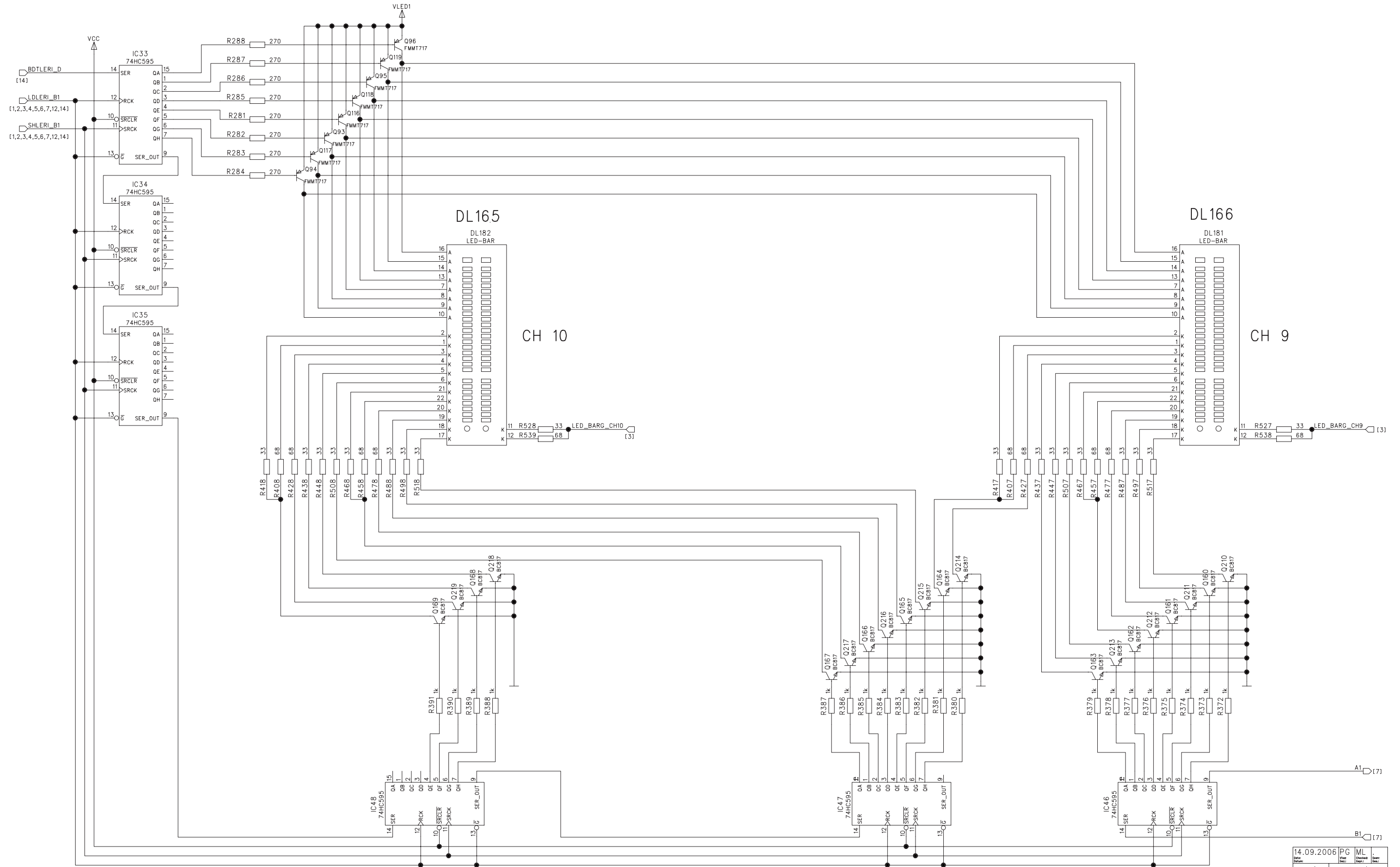
Fader Front Control PCB 1.949.832.00 (2)



Fader Front Control PCB 1.949.832.00 (2)



14.09.2006	PG	ML
1	7	14
1	7	14
1	7	14

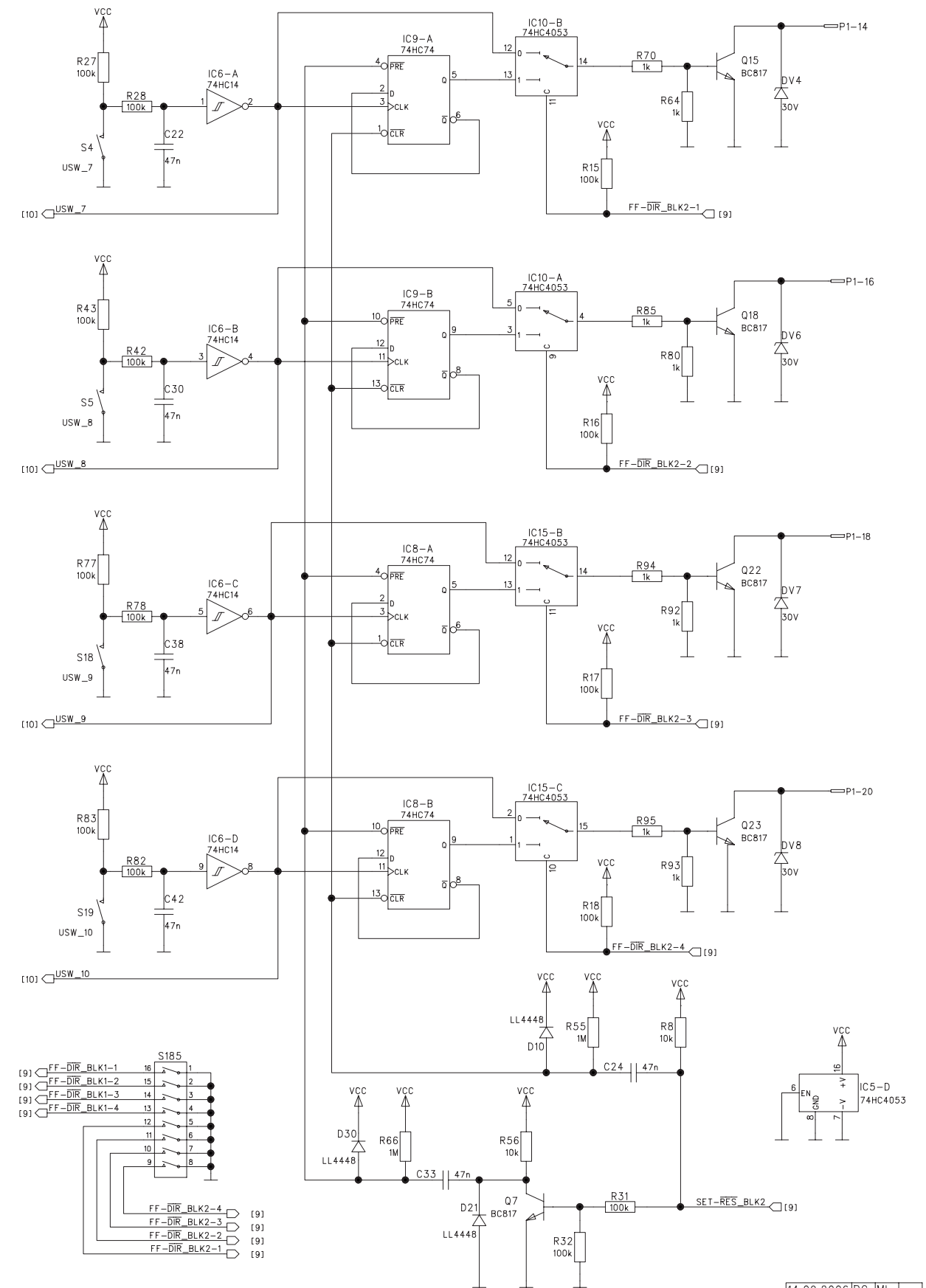
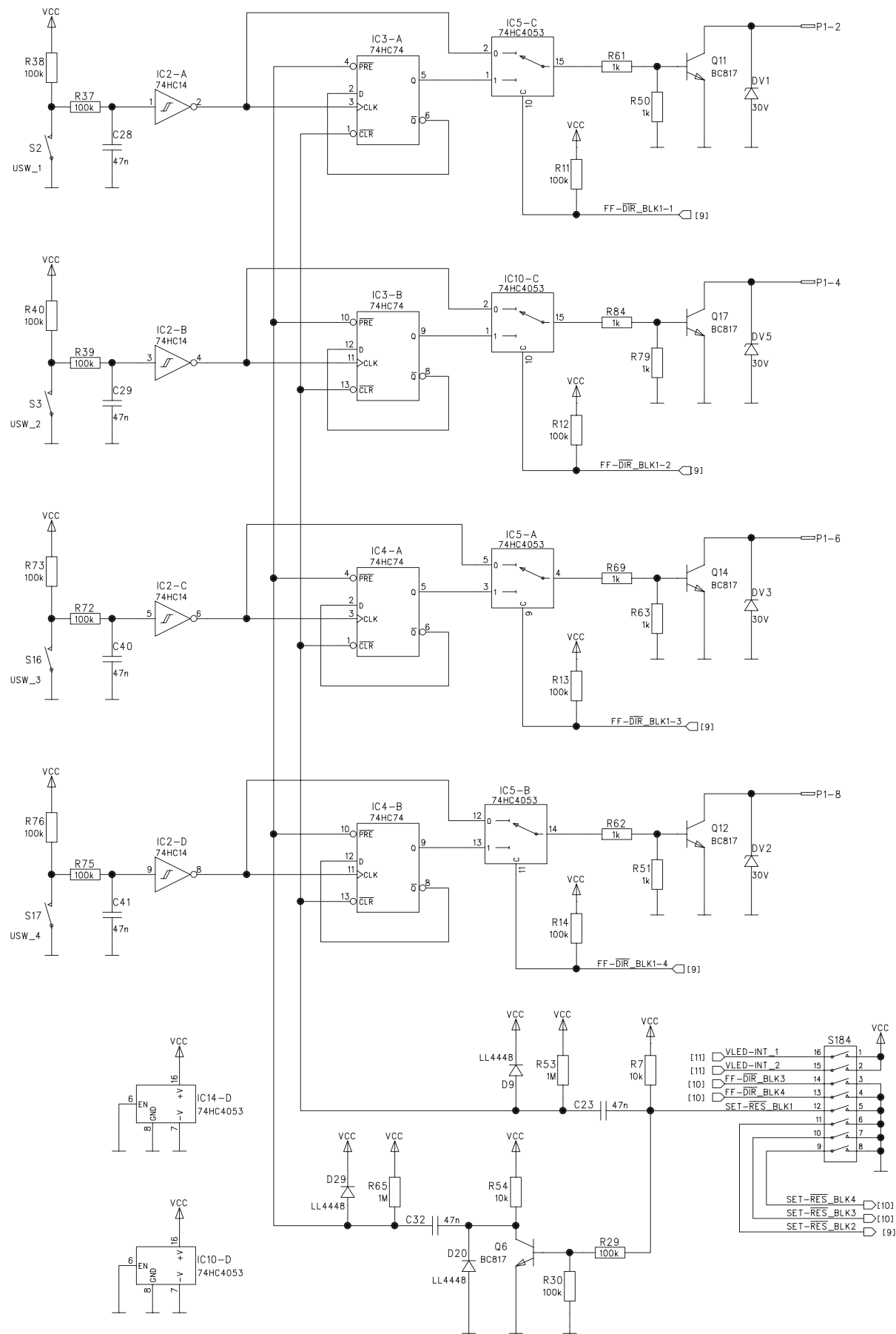


CH 10

CH 9

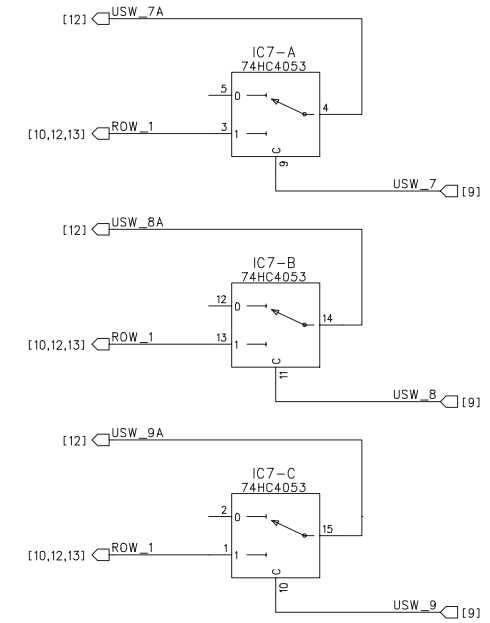
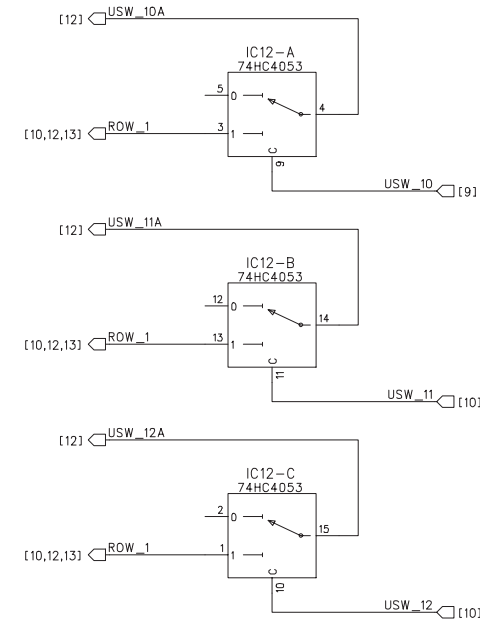
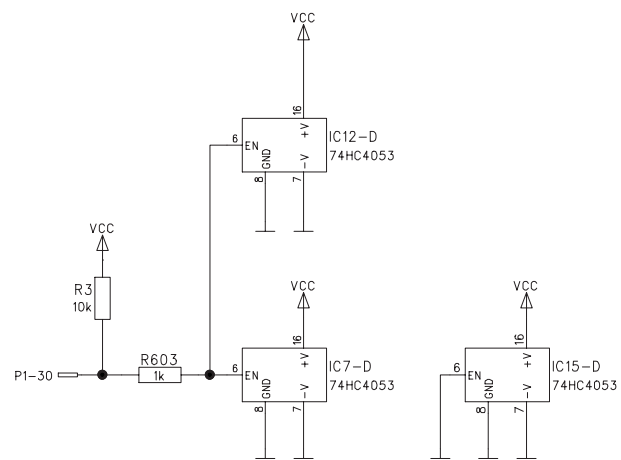
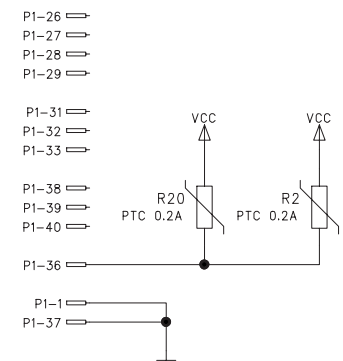
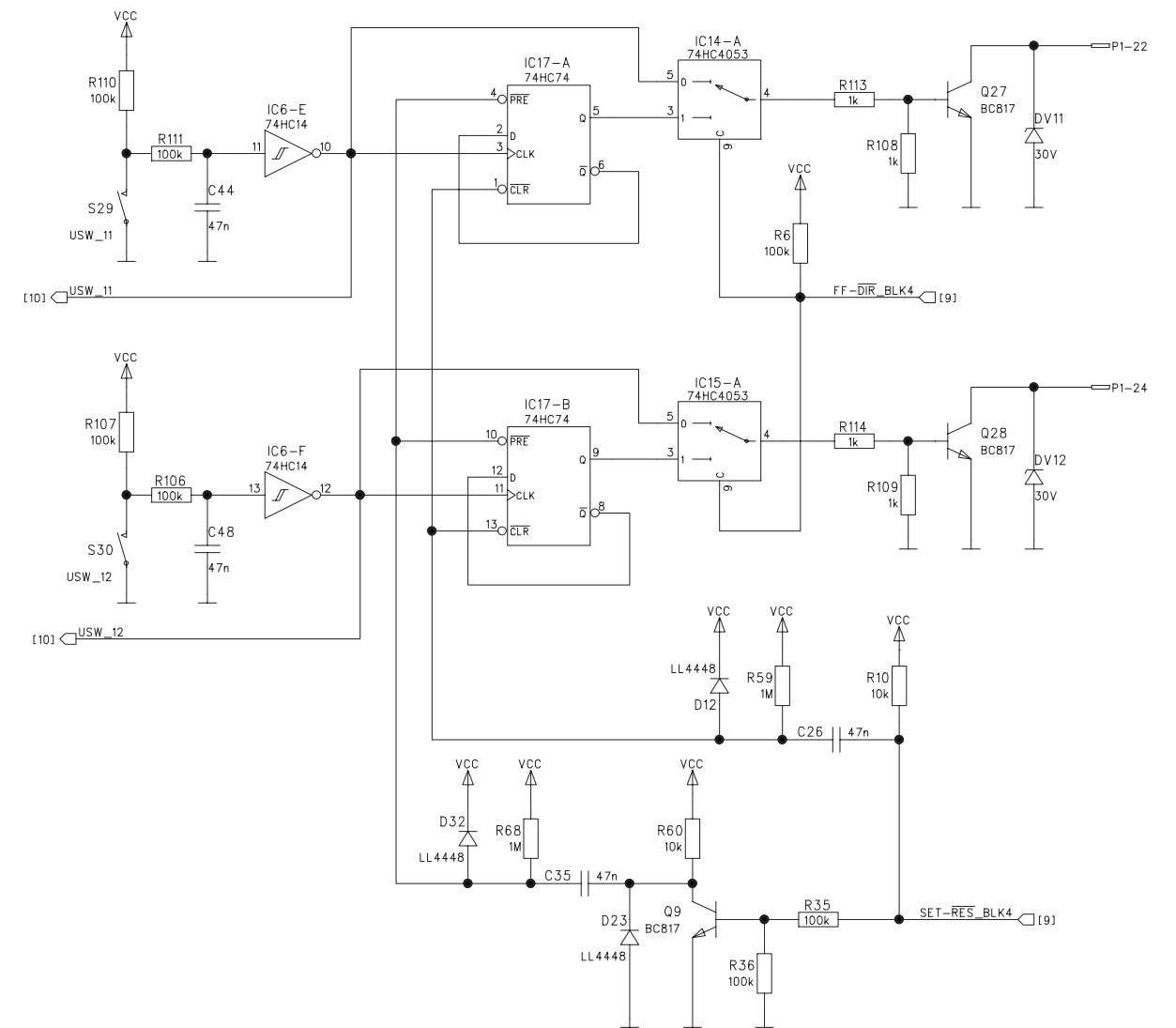
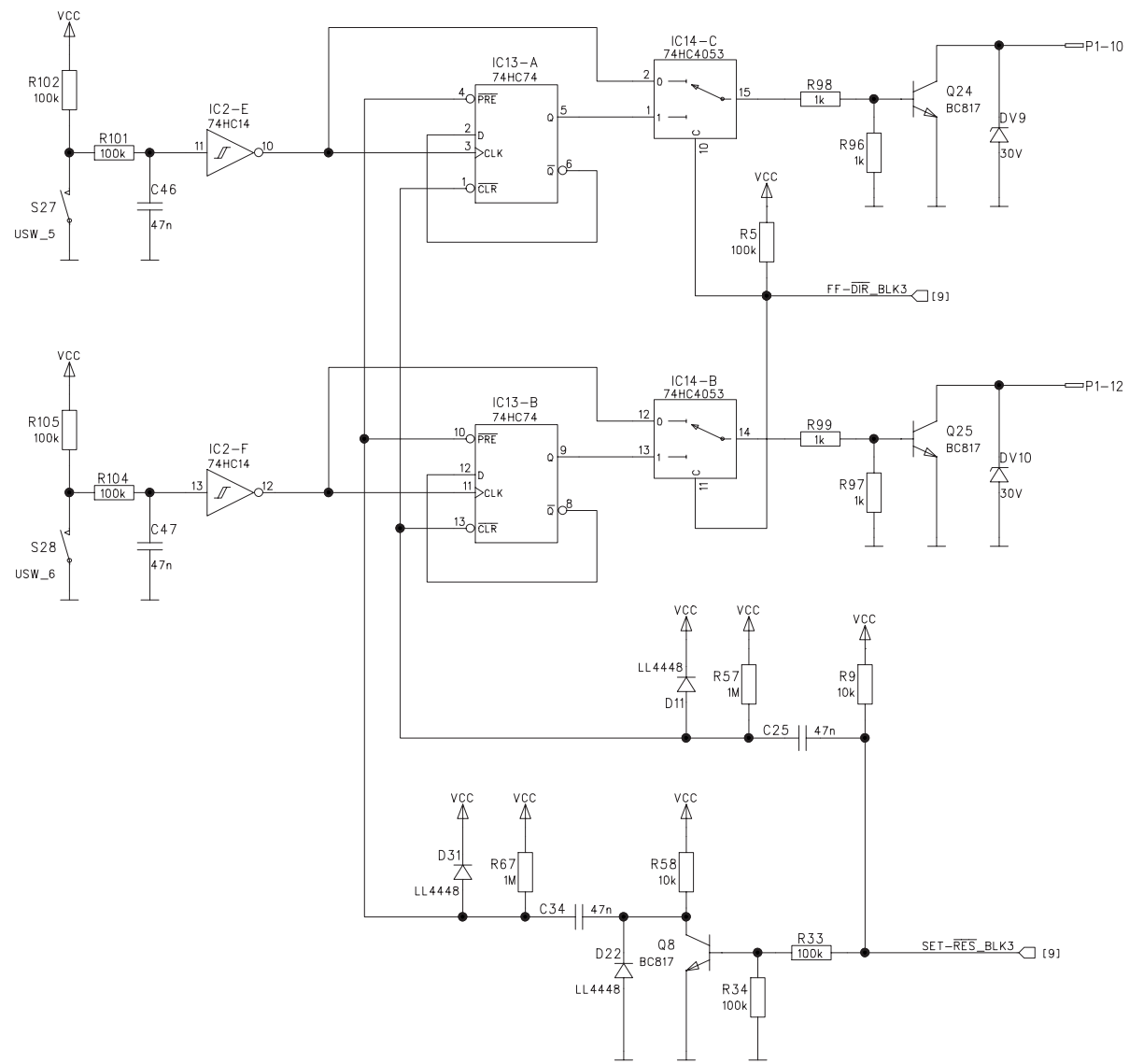
14.09.2006		PG	ML
Index	1	Page	8 / 14
Sheet	1	Order	1.949.832.00

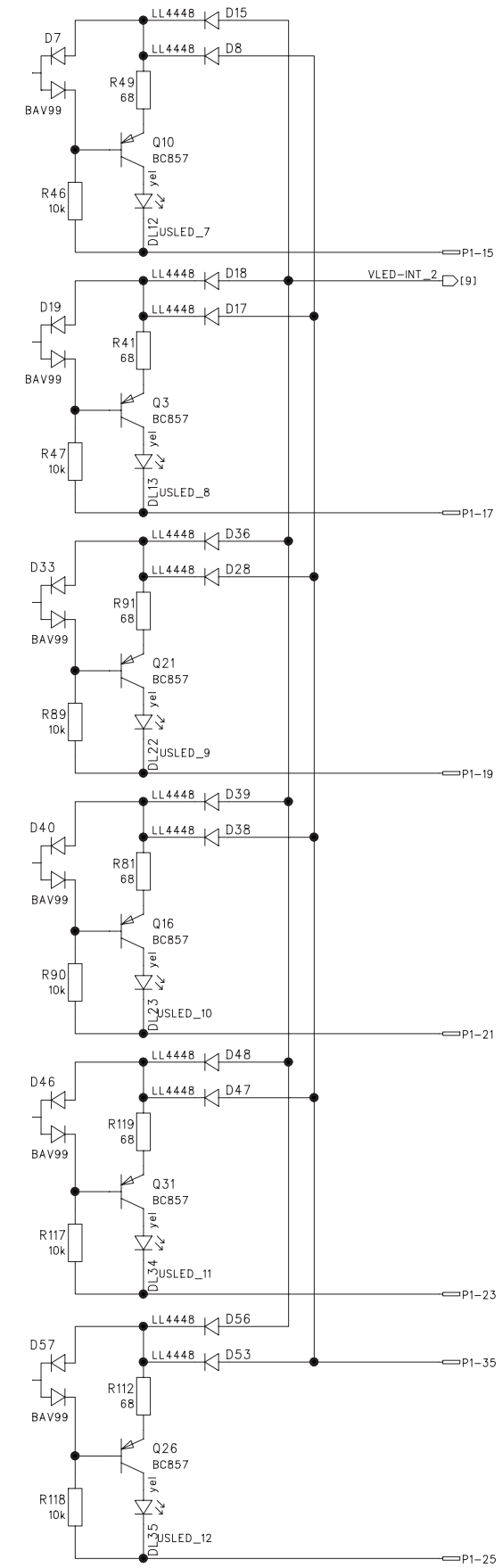
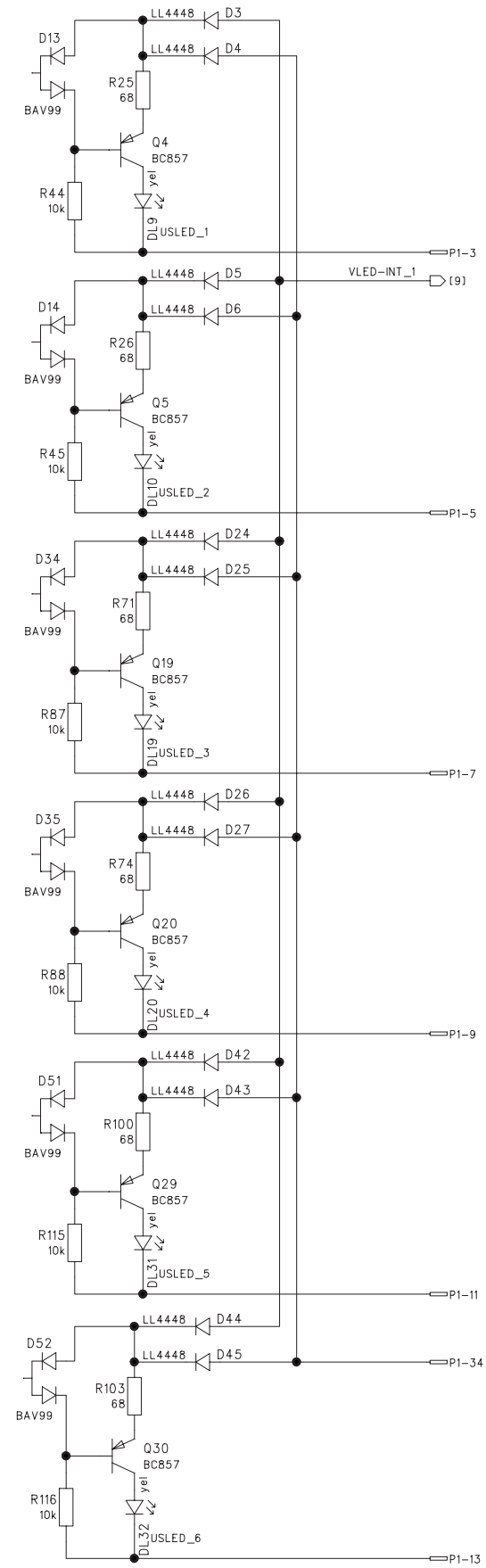
Fader Front Control PCB 1.949.832.00 (2)

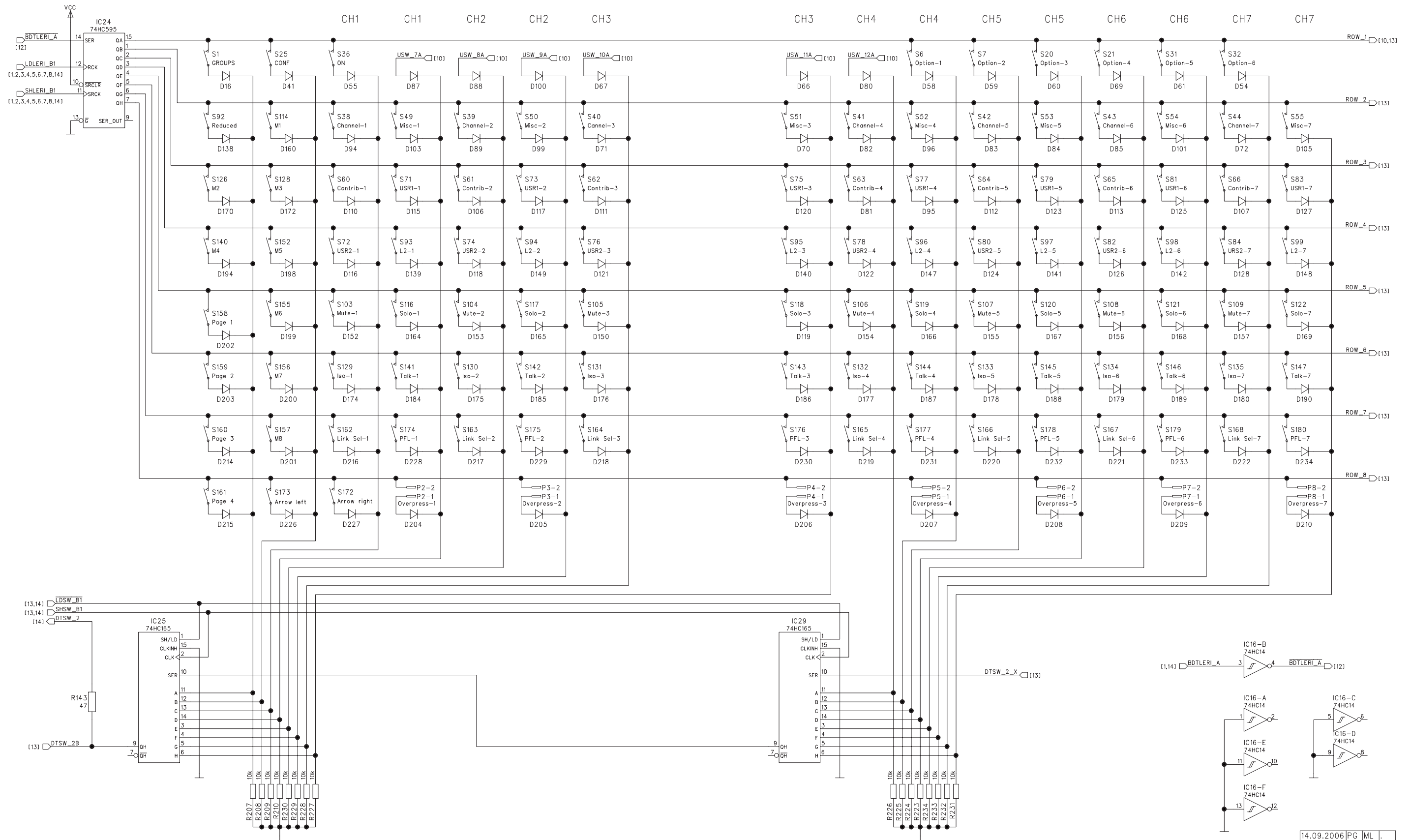


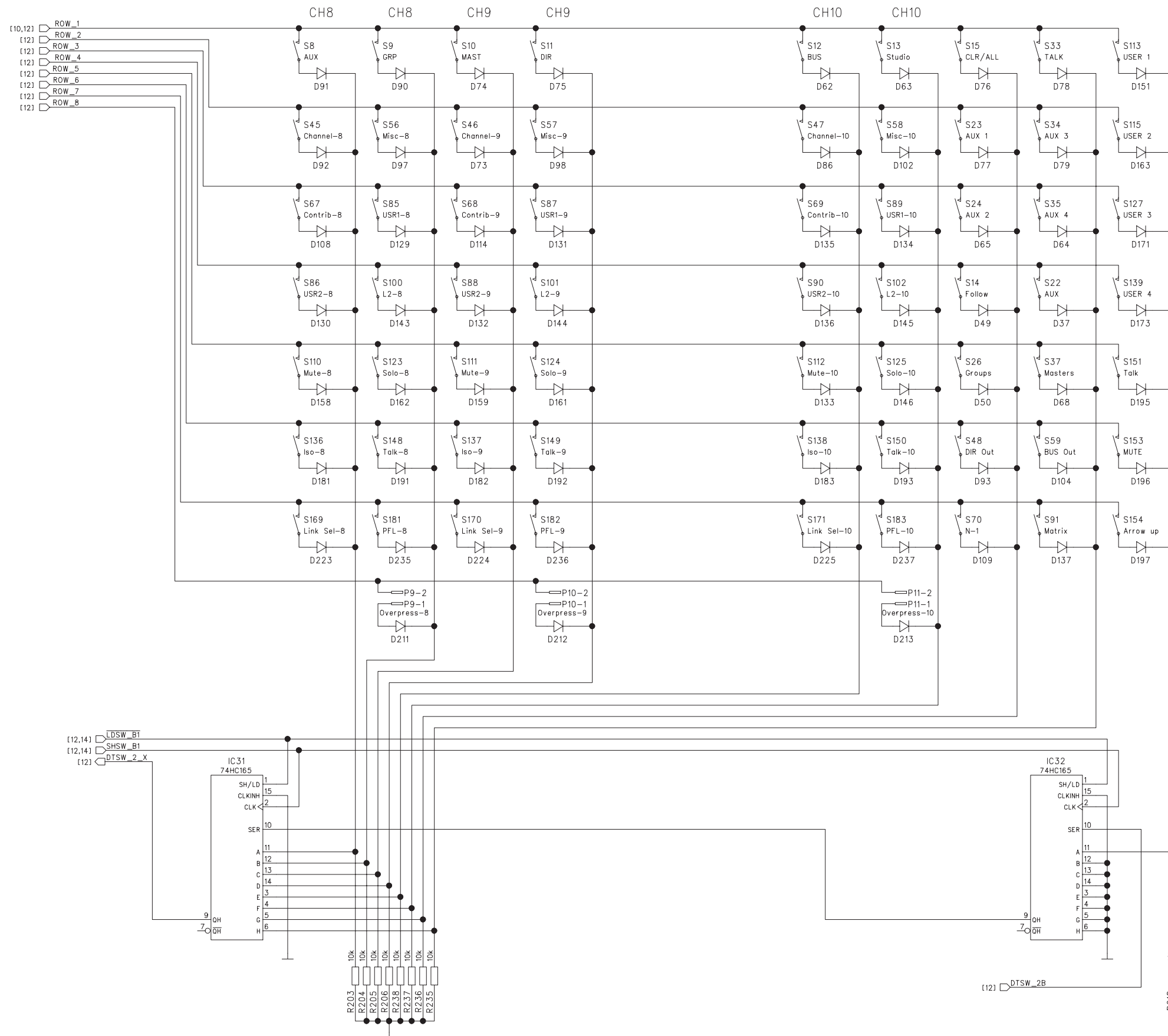
14.09.2006	PG	ML	
1	9	14	

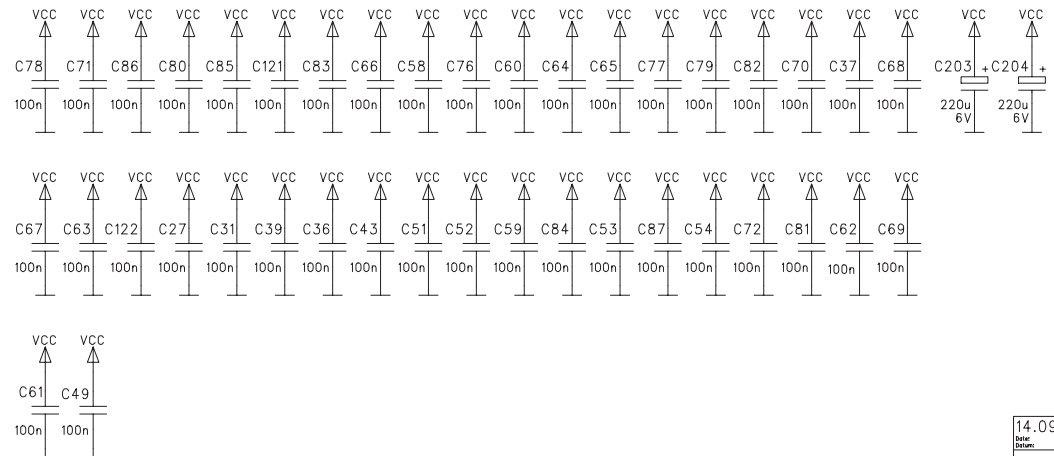
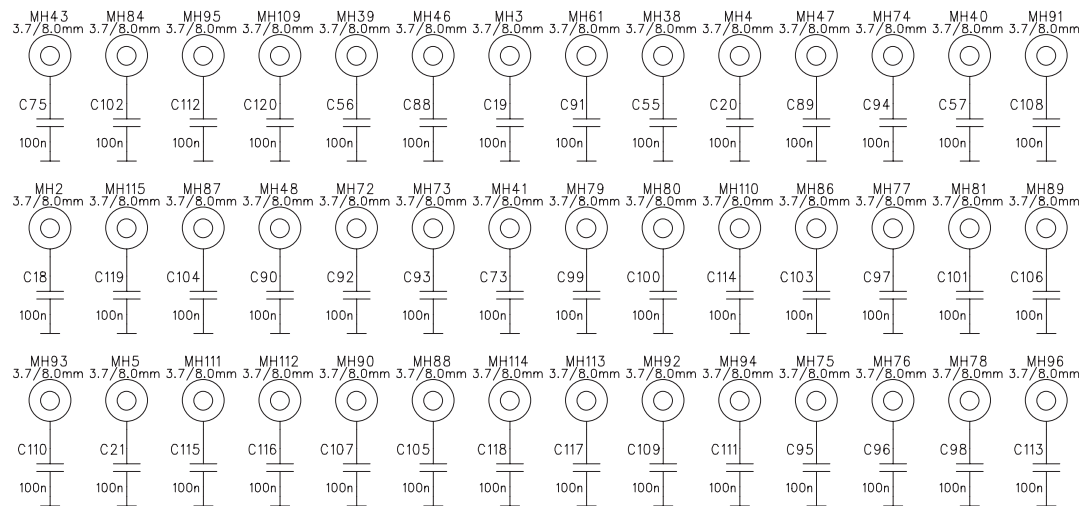
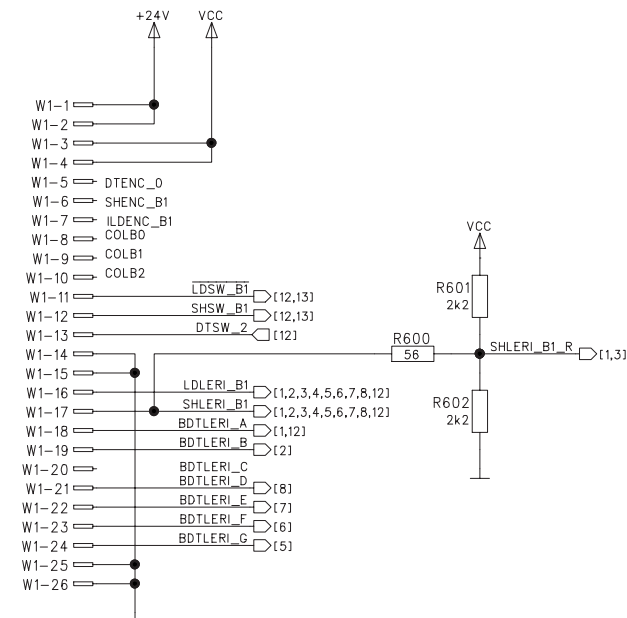
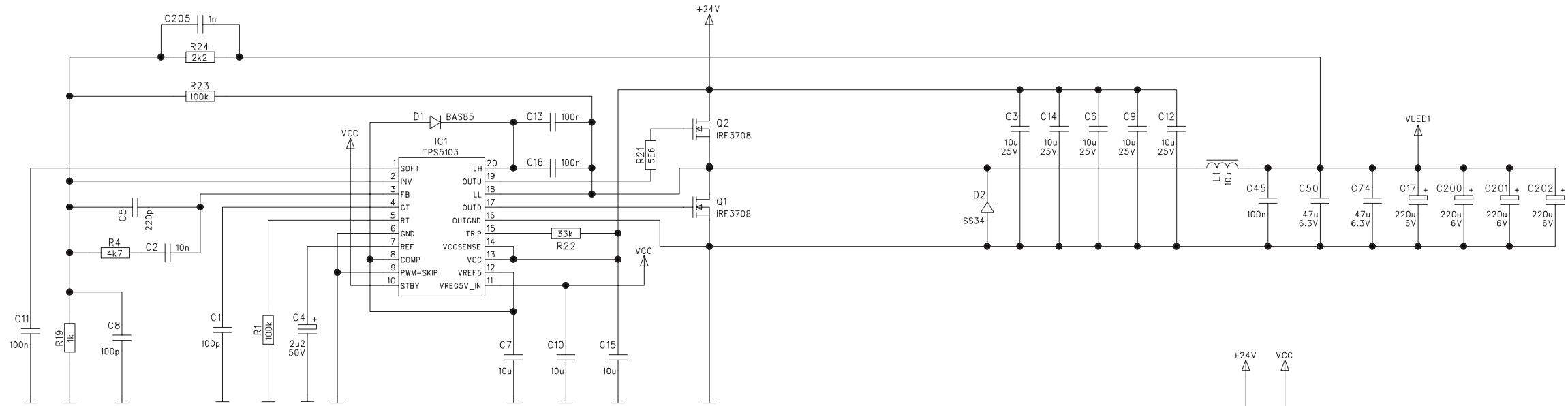
Fader Front Control PCB 1.949.832.00 (2)



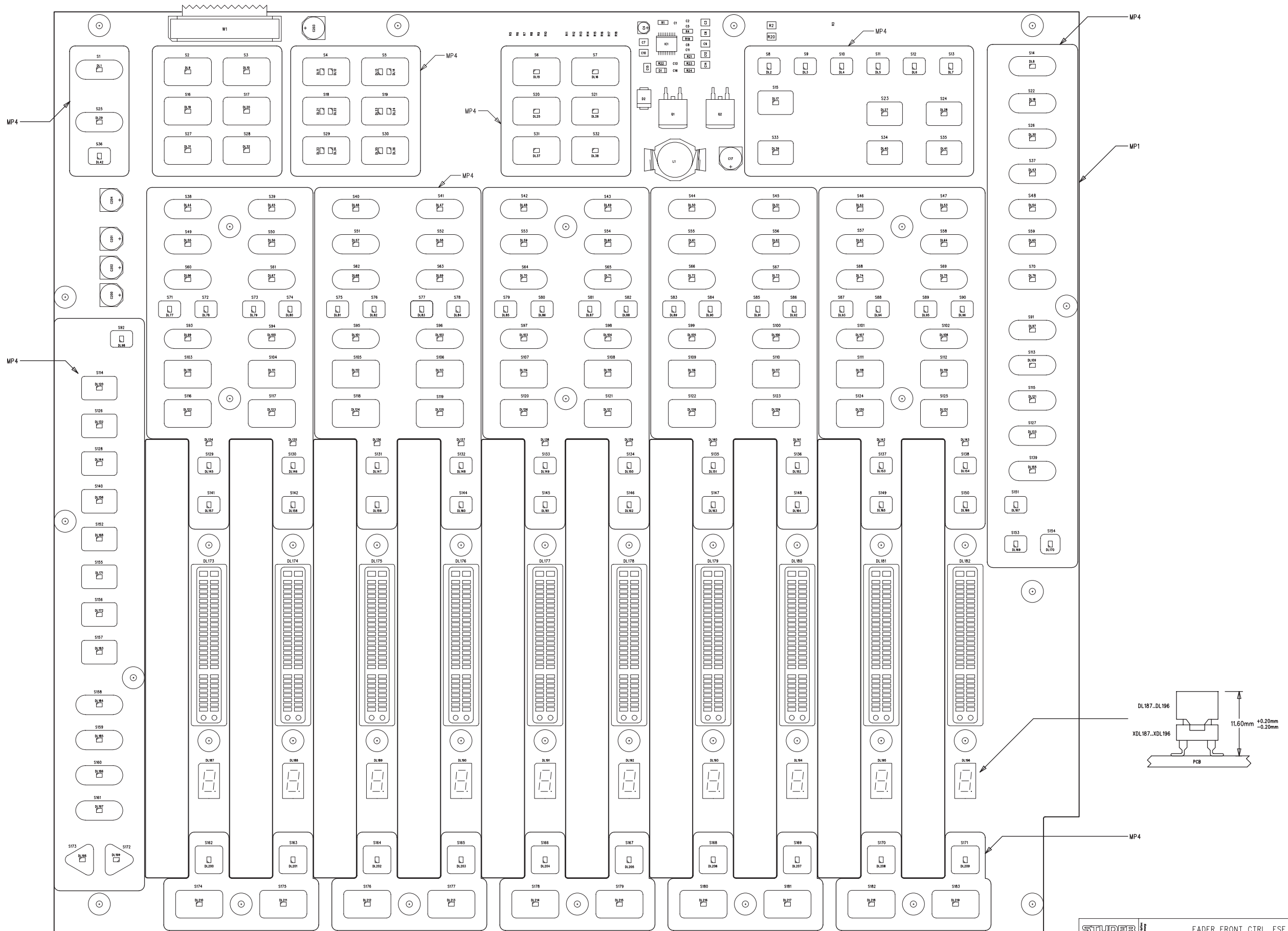




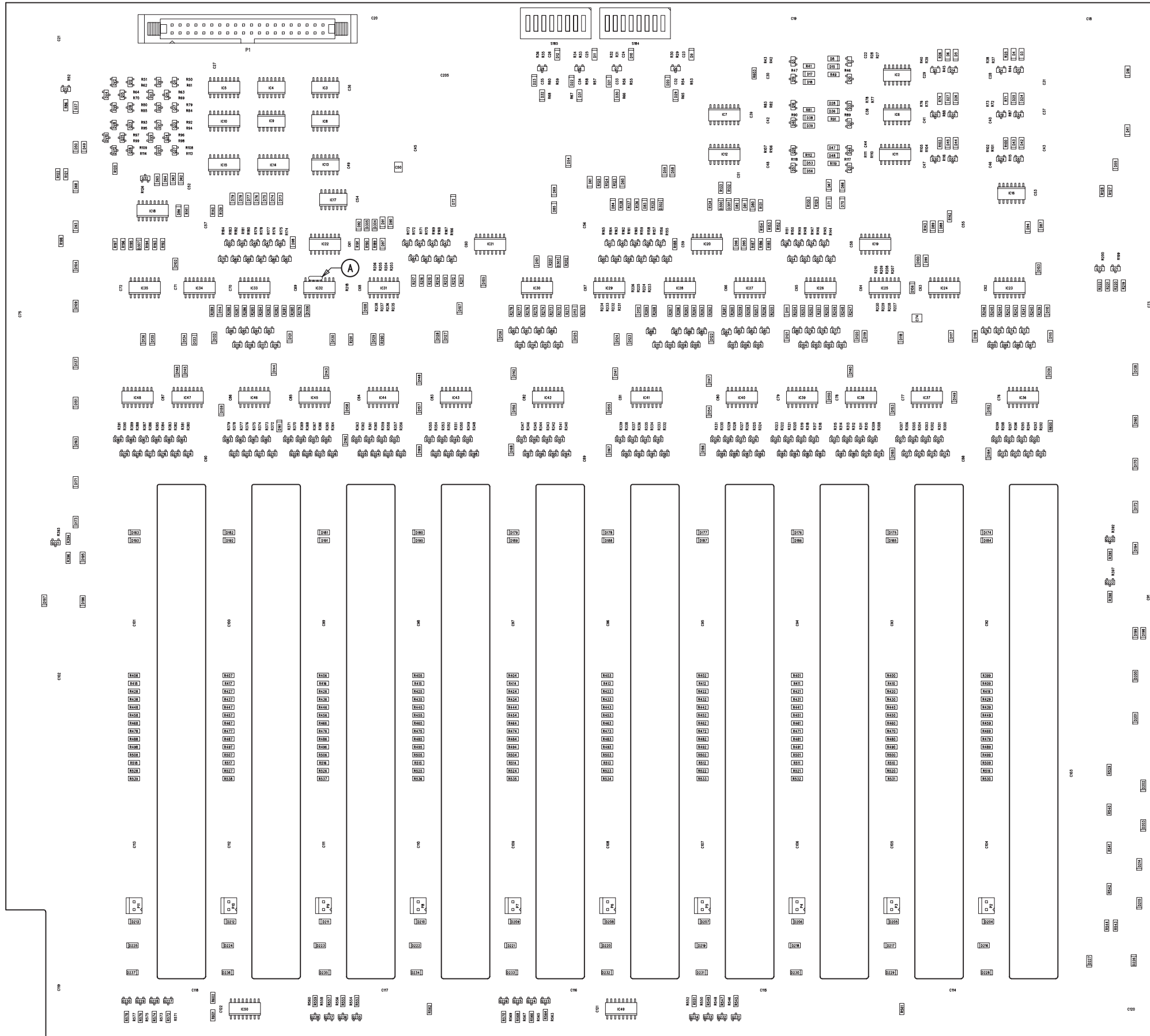




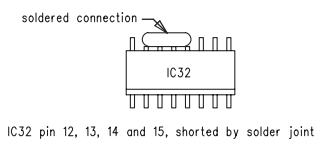
Fader Front Control PCB 1.949.832.00 (2)



Fader Front Control PCB 1.949.832.00 (2)



Detail A



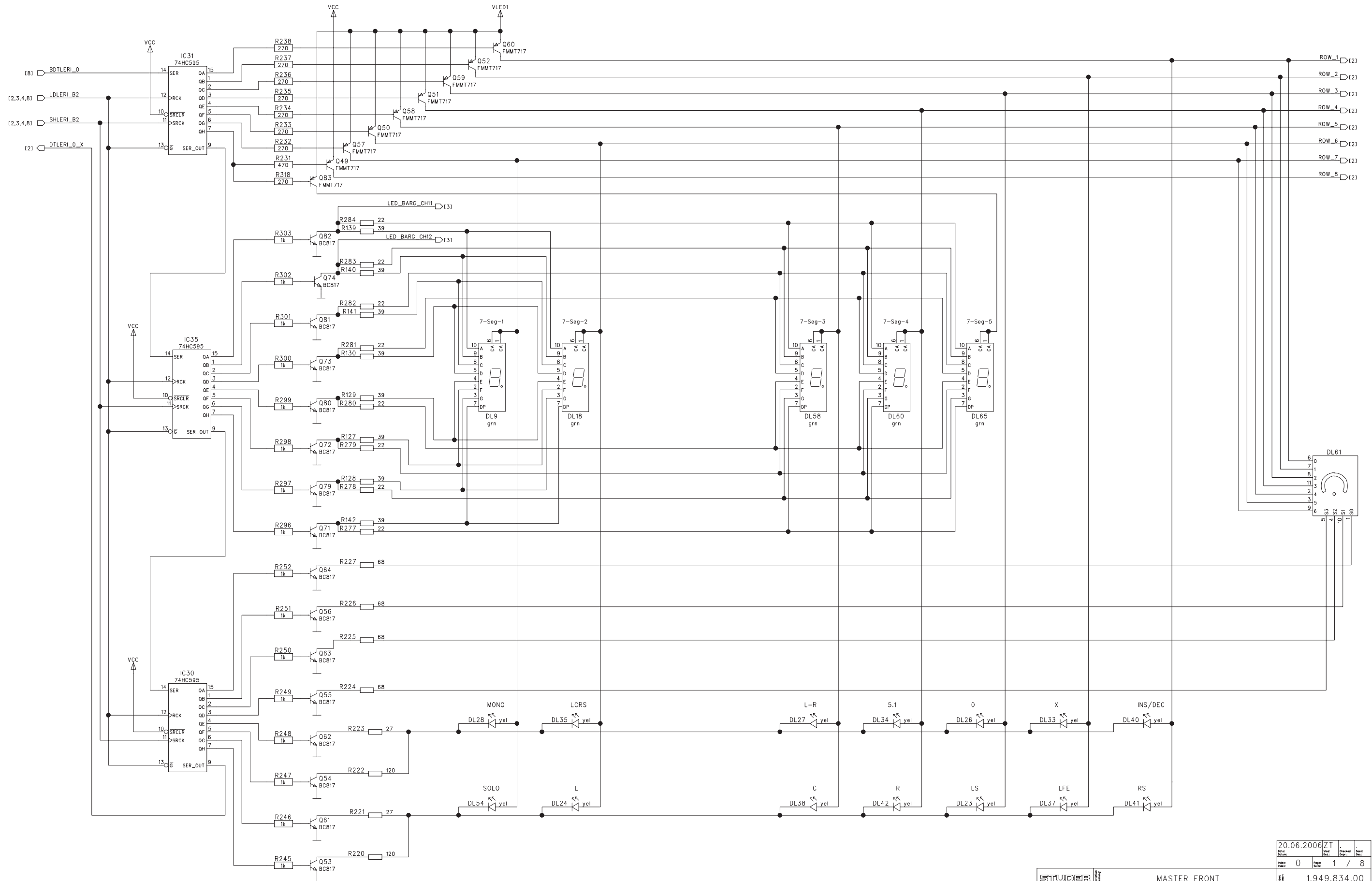
05.10.2006	PG	IML	.
2	2	2	2

Fader Front Control PCB 1.949.832.00 (0)

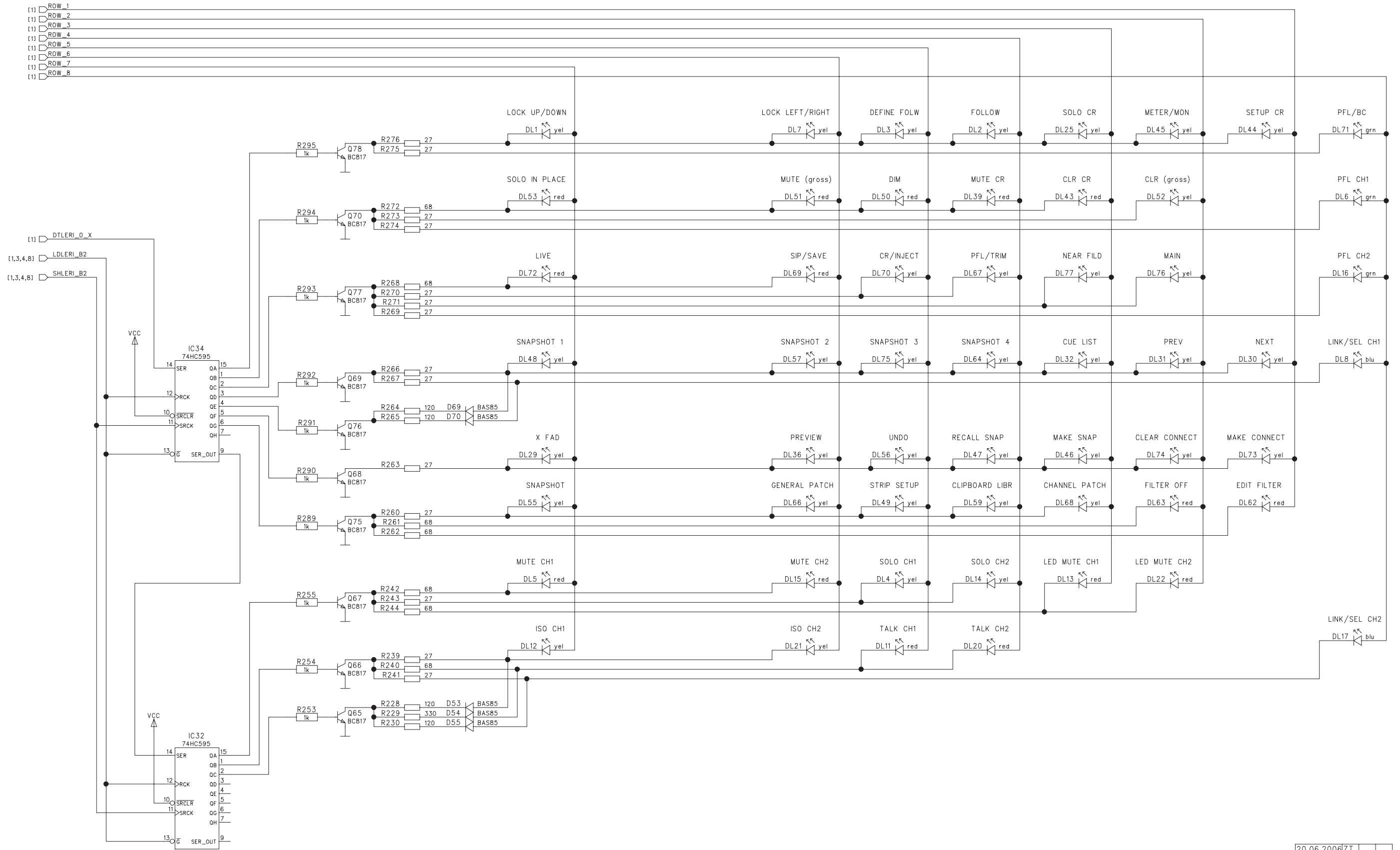
Idx. Pos.	Part No.	Qty.	Type/Val.	Description	Idx. Pos.	Part No.	Qty.	Type/Val.	Description
0	R 535	57.60.1680	1 pce	68R	MF, 1%, 0204, E24				
0	R 536	57.60.1680	1 pce	68R	MF, 1%, 0204, E24				
0	R 537	57.60.1680	1 pce	68R	MF, 1%, 0204, E24				
0	R 538	57.60.1680	1 pce	68R	MF, 1%, 0204, E24				
0	R 539	57.60.1680	1 pce	68R	MF, 1%, 0204, E24				
0	R 540	57.60.1270	1 pce	27R	MF, 1%, 0204, E24				
0	R 541	57.60.1270	1 pce	27R	MF, 1%, 0204, E24				
0	R 542	57.60.1270	1 pce	27R	MF, 1%, 0204, E24				
0	R 543	57.60.1270	1 pce	27R	MF, 1%, 0204, E24				
0	R 544	57.60.1270	1 pce	27R	MF, 1%, 0204, E24				
0	R 545	57.60.1390	1 pce	39R	MF, 1%, 0204, E24				
0	R 546	57.69.1073	1 pce	1k0	CF 5% 0603				
0	R 547	57.60.1390	1 pce	39R	MF, 1%, 0204, E24				
0	R 548	57.69.1073	1 pce	1k0	CF 5% 0603				
0	R 549	57.60.1390	1 pce	39R	MF, 1%, 0204, E24				
0	R 550	57.69.1073	1 pce	1k0	CF 5% 0603				
0	R 551	57.60.1390	1 pce	39R	MF, 1%, 0204, E24				
0	R 552	57.69.1073	1 pce	1k0	CF 5% 0603				
0	R 553	57.60.1390	1 pce	39R	MF, 1%, 0204, E24				
0	R 554	57.69.1073	1 pce	1k0	CF 5% 0603				
0	R 555	57.60.1390	1 pce	39R	MF, 1%, 0204, E24				
0	R 556	57.69.1073	1 pce	1k0	CF 5% 0603				
0	R 557	57.60.1390	1 pce	39R	MF, 1%, 0204, E24				
0	R 558	57.69.1073	1 pce	1k0	CF 5% 0603				
0	R 559	57.60.1390	1 pce	39R	MF, 1%, 0204, E24				
0	R 560	57.69.1073	1 pce	1k0	CF 5% 0603				
0	R 561	57.60.1270	1 pce	27R	MF, 1%, 0204, E24				
0	R 562	57.60.1270	1 pce	27R	MF, 1%, 0204, E24				
0	R 563	57.69.1073	1 pce	1k0	CF 5% 0603				
0	R 564	57.60.1390	1 pce	39R	MF, 1%, 0204, E24				
0	R 565	57.69.1073	1 pce	1k0	CF 5% 0603				
0	R 566	57.60.1390	1 pce	39R	MF, 1%, 0204, E24				
0	R 567	57.69.1073	1 pce	1k0	CF 5% 0603				
0	R 568	57.60.1390	1 pce	39R	MF, 1%, 0204, E24				
0	R 569	57.69.1073	1 pce	1k0	CF 5% 0603				
0	R 570	57.60.1390	1 pce	39R	MF, 1%, 0204, E24				
0	R 571	57.69.1073	1 pce	1k0	CF 5% 0603				
0	R 572	57.60.1390	1 pce	39R	MF, 1%, 0204, E24				
0	R 573	57.69.1073	1 pce	1k0	CF 5% 0603				
0	R 574	57.60.1390	1 pce	39R	MF, 1%, 0204, E24				
0	R 575	57.69.1073	1 pce	1k0	CF 5% 0603				
0	R 576	57.60.1390	1 pce	39R	MF, 1%, 0204, E24				
0	R 577	57.69.1073	1 pce	1k0	CF 5% 0603				
0	R 578	57.60.1390	1 pce	39R	MF, 1%, 0204, E24				
0	R 600	57.60.1560	1 pce	56R	MF, 1%, 0204, E24				
0	R 601	57.60.1222	1 pce	2k2	MF, 1%, 0204, E24				
0	R 602	57.60.1222	1 pce	2k2	MF, 1%, 0204, E24				
0	R 603	57.60.1102	1 pce	1k0	MF, 1%, 0204, E24				
0	S 184	55.01.0168	1 pce	8*a	DIL-Switch, PCB				
0	S 185	55.01.0168	1 pce	8*a	DIL-Switch, PCB				
0	W 1	1.023.112.20	1 pce		FLACHKABEL 26 POL. 0,07M				
0	XDL 18	53.60.0110	1 pce	10p	DIL 0.3", SMD				
0	XDL 18	53.60.0110	1 pce	10p	DIL 0.3", SMD				
0	XDL 18	53.60.0110	1 pce	10p	DIL 0.3", SMD				
0	XDL 19	53.60.0110	1 pce	10p	DIL 0.3", SMD				
0	XDL 19	53.60.0110	1 pce	10p	DIL 0.3", SMD				
0	XDL 19	53.60.0110	1 pce	10p	DIL 0.3", SMD				
0	XDL 19	53.60.0110	1 pce	10p	DIL 0.3", SMD				
0	XDL 19	53.60.0110	1 pce	10p	DIL 0.3", SMD				
0	XDL 19	53.60.0110	1 pce	10p	DIL 0.3", SMD				
0	XDL 19	53.60.0110	1 pce	10p	DIL 0.3", SMD				
0	XDL 19	53.60.0110	1 pce	10p	DIL 0.3", SMD				

End of List

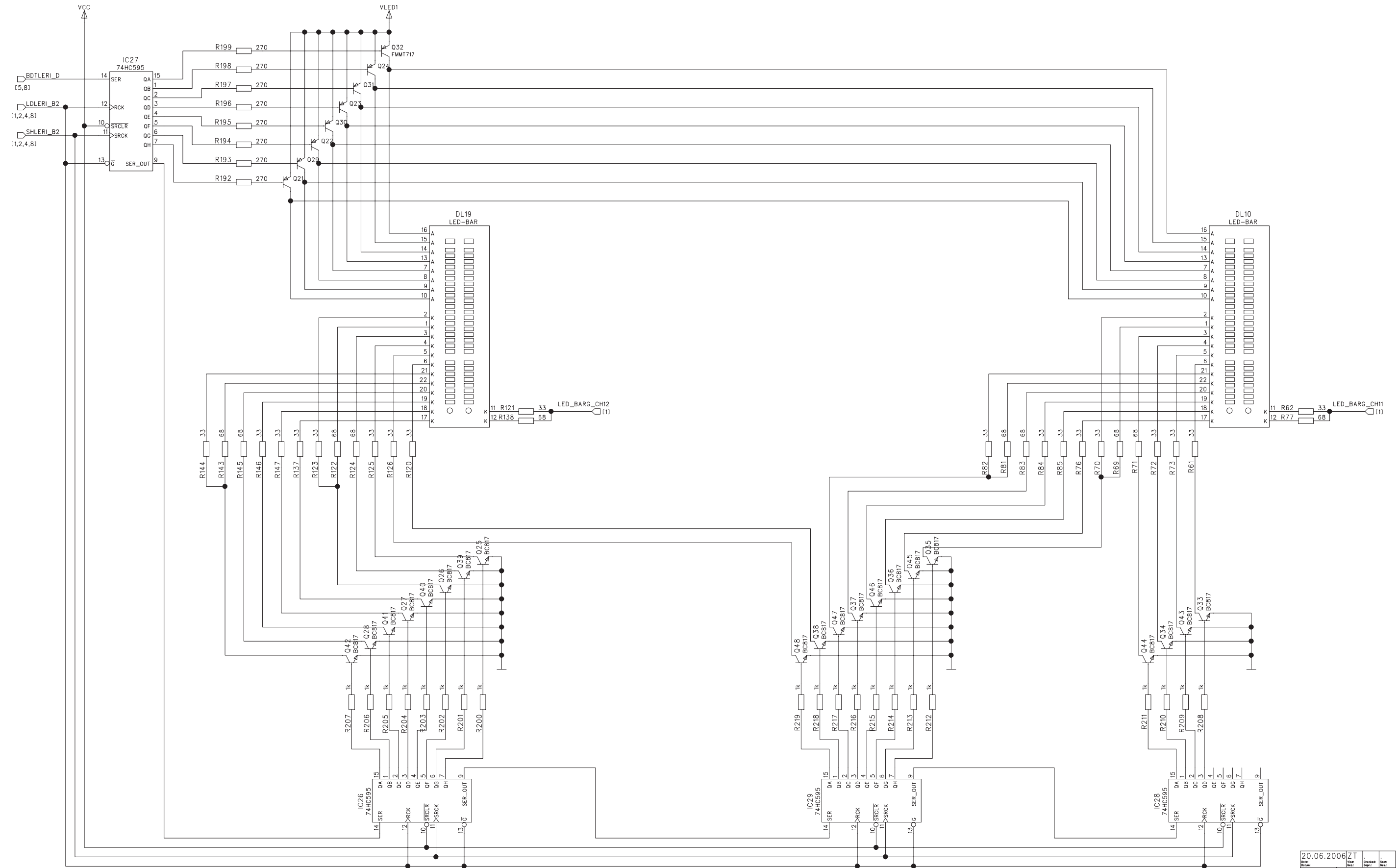
Comments:

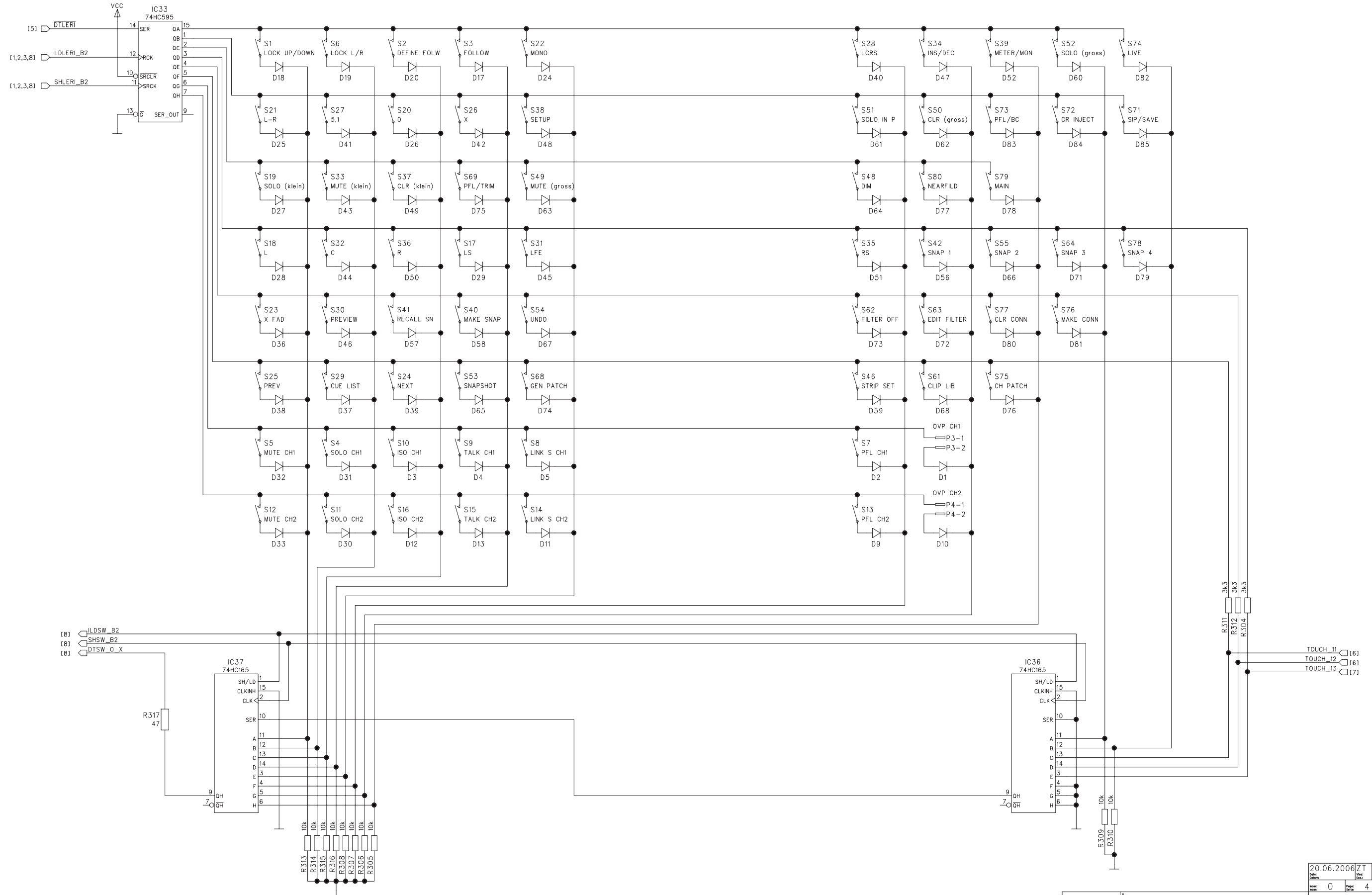


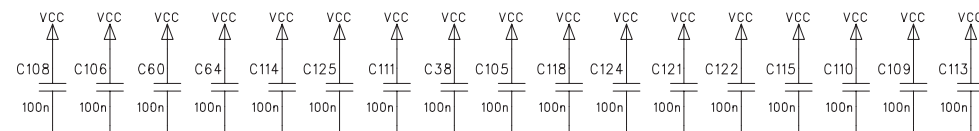
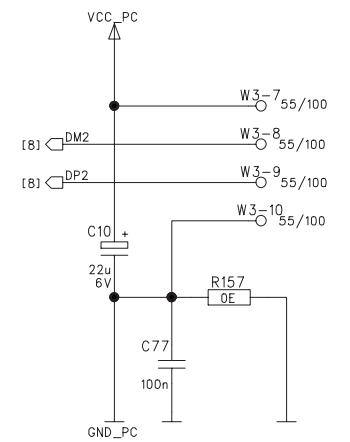
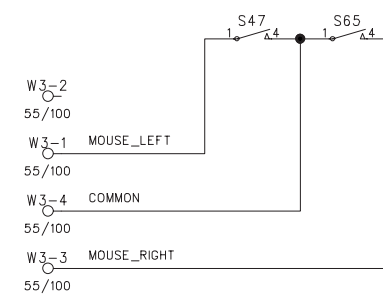
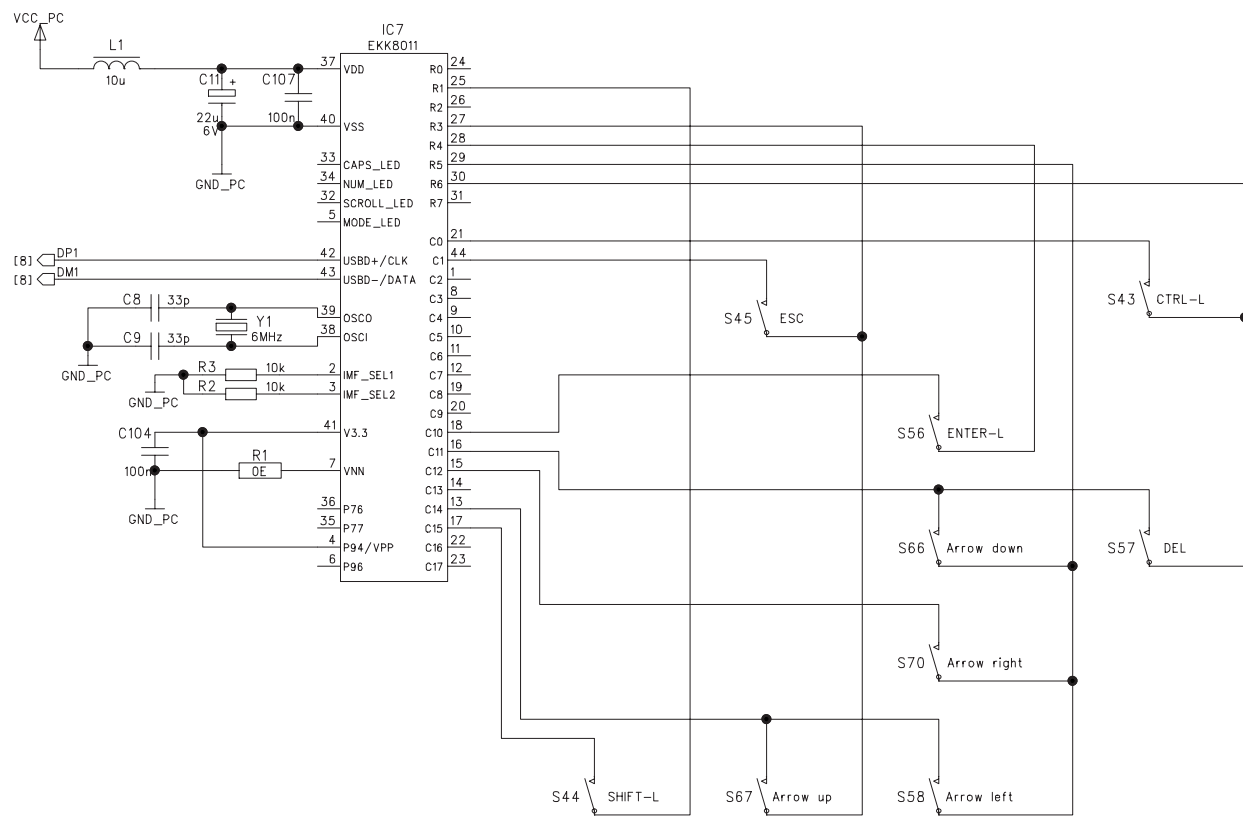
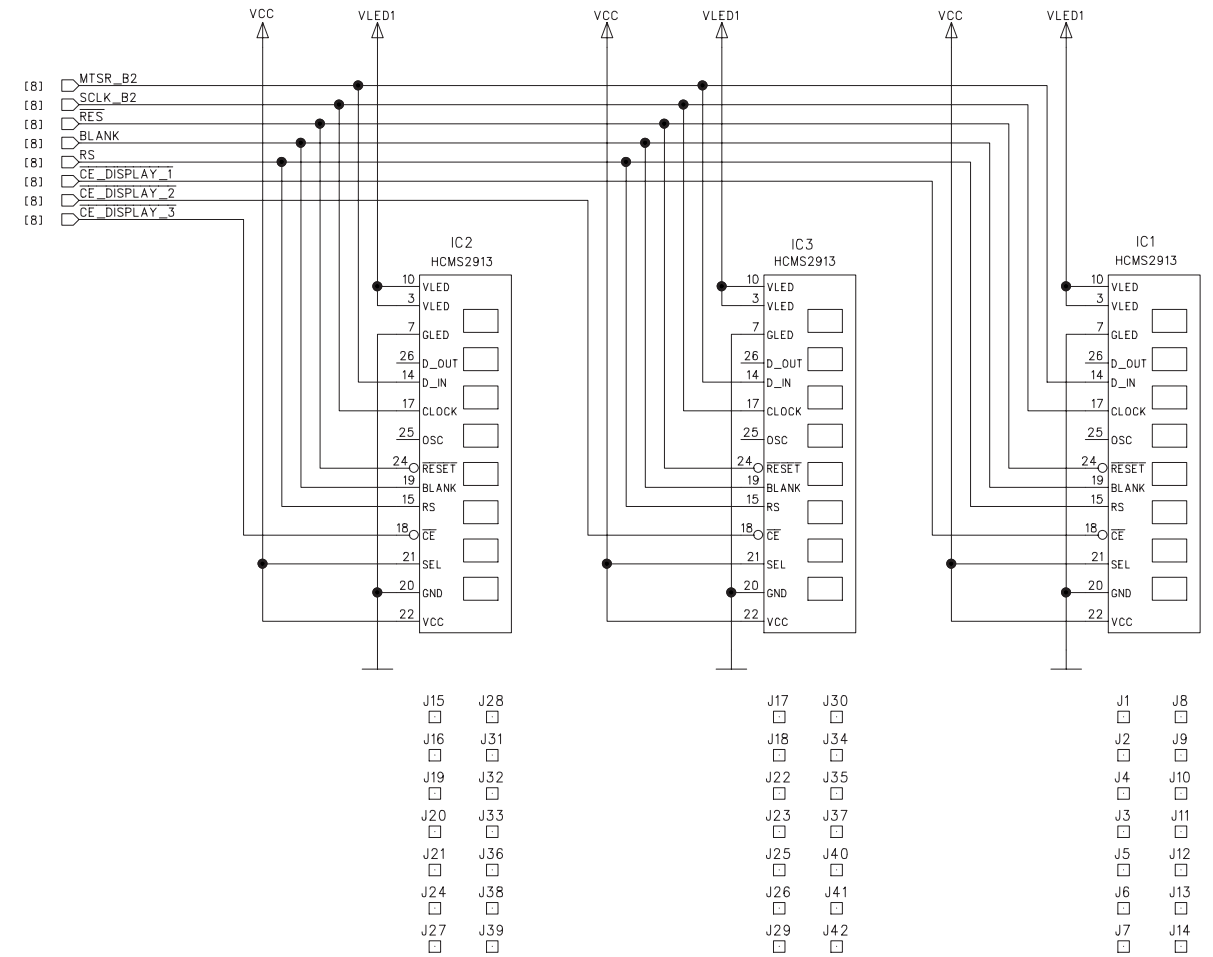
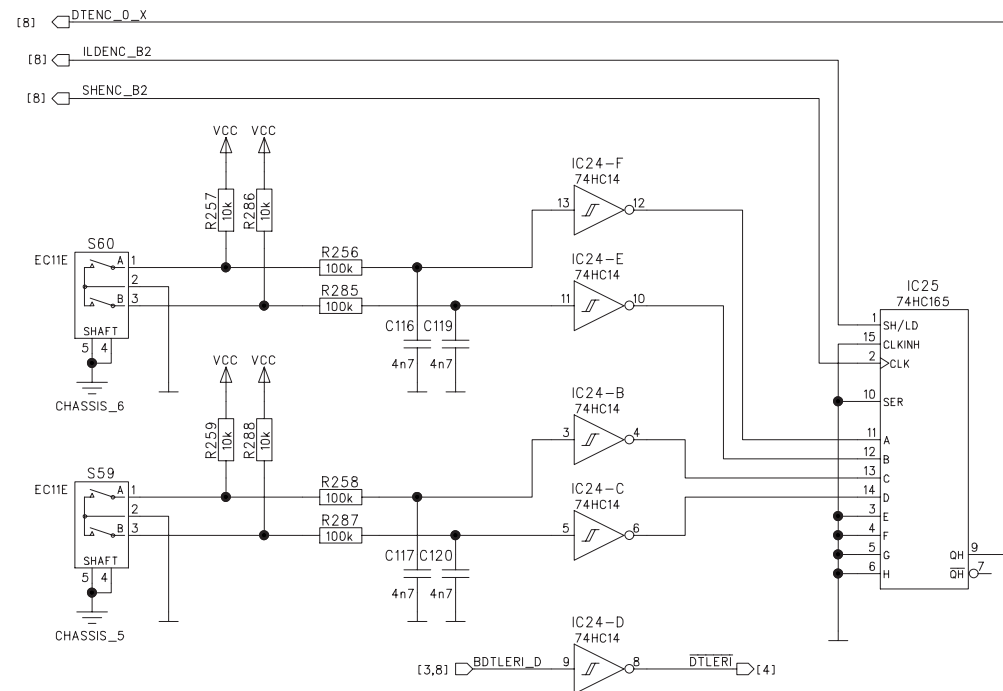
20.06.2006	ZT		
Index	0	Page	1 / 8
Index		Page	
Index		Page	

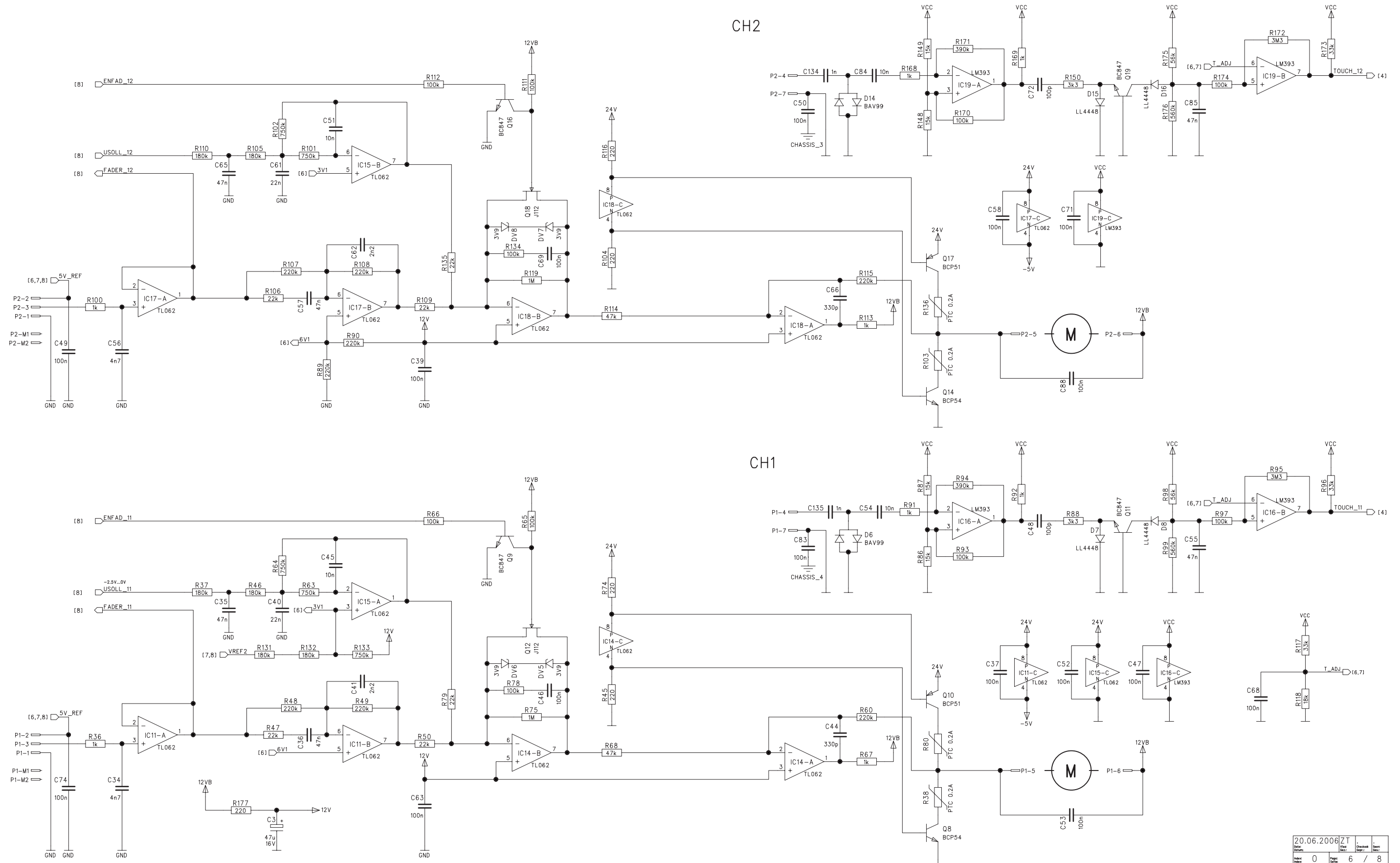


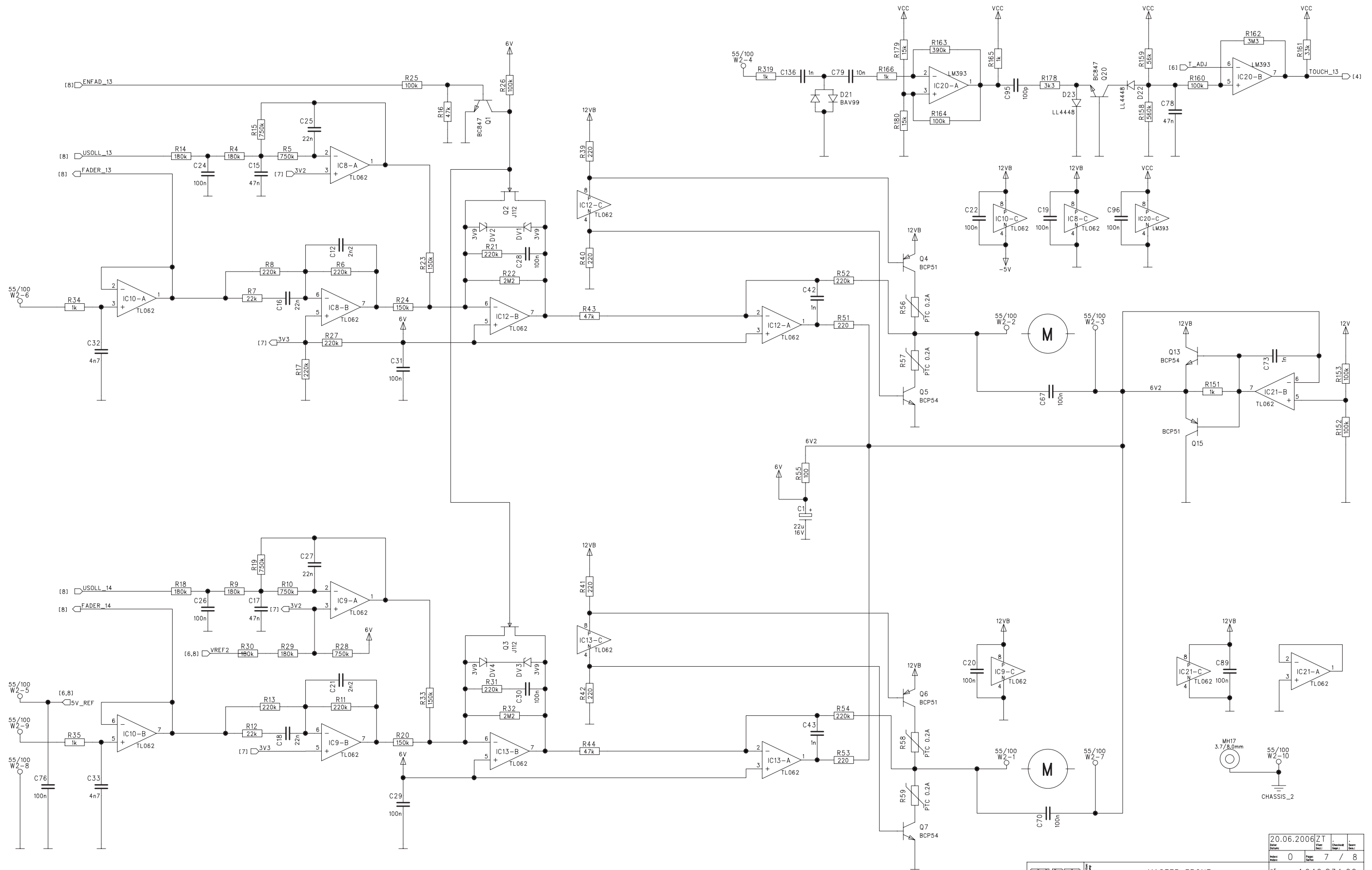
20.06.2006	ZT		
Index	0	Page	2 / 8
SC 1.949.834.00			





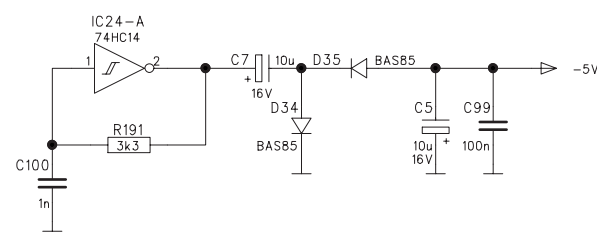
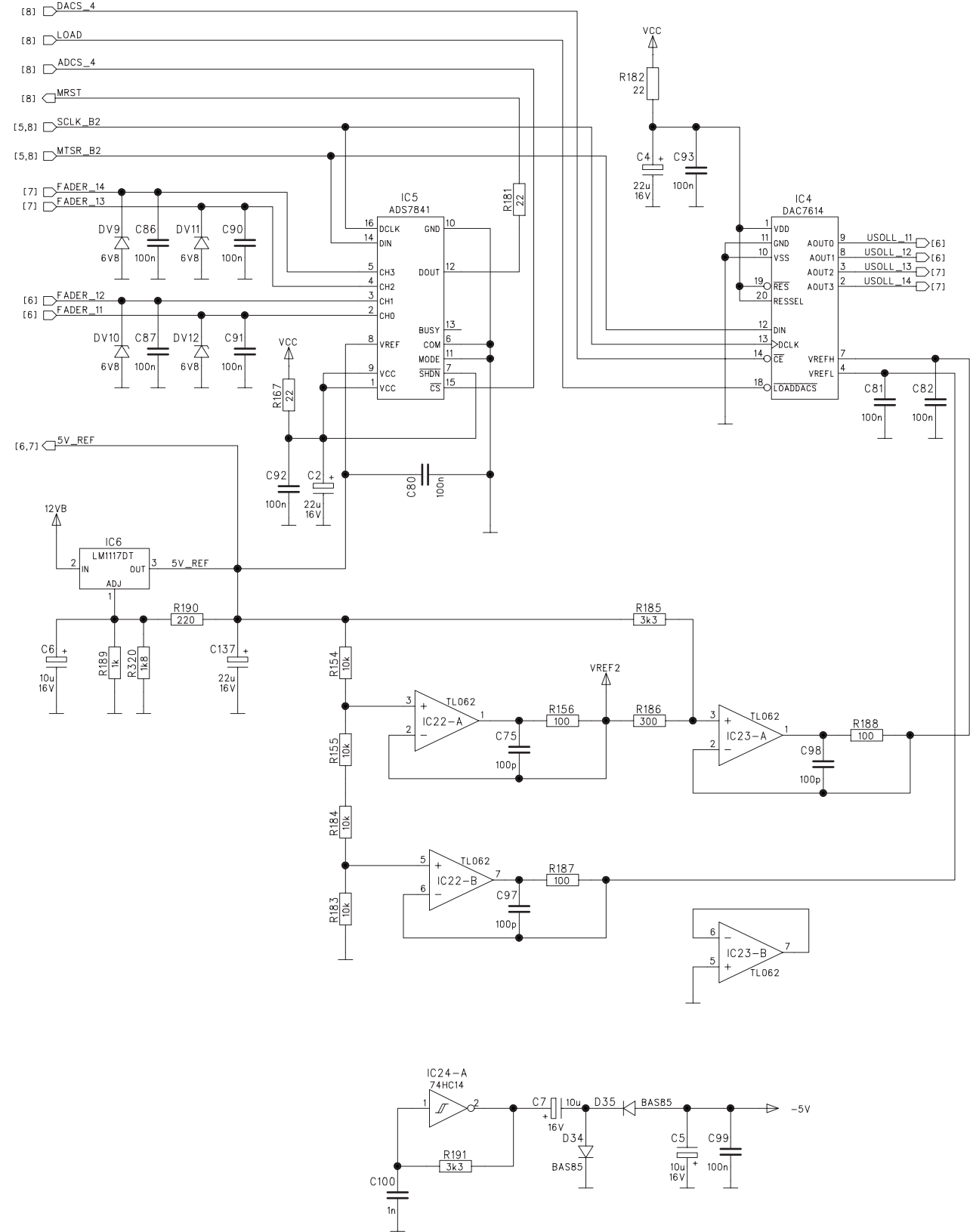
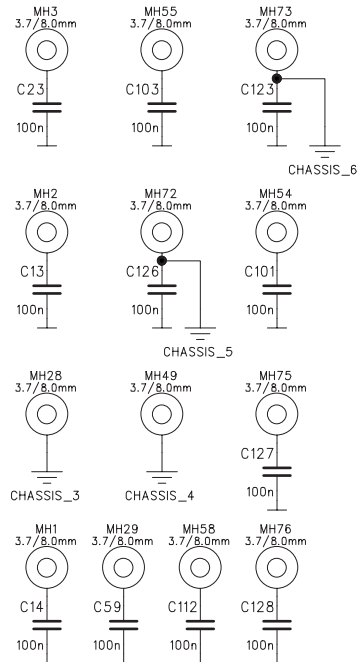
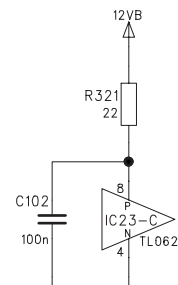
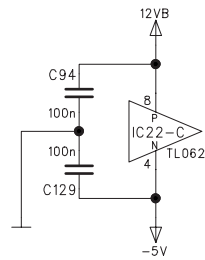
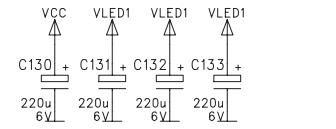






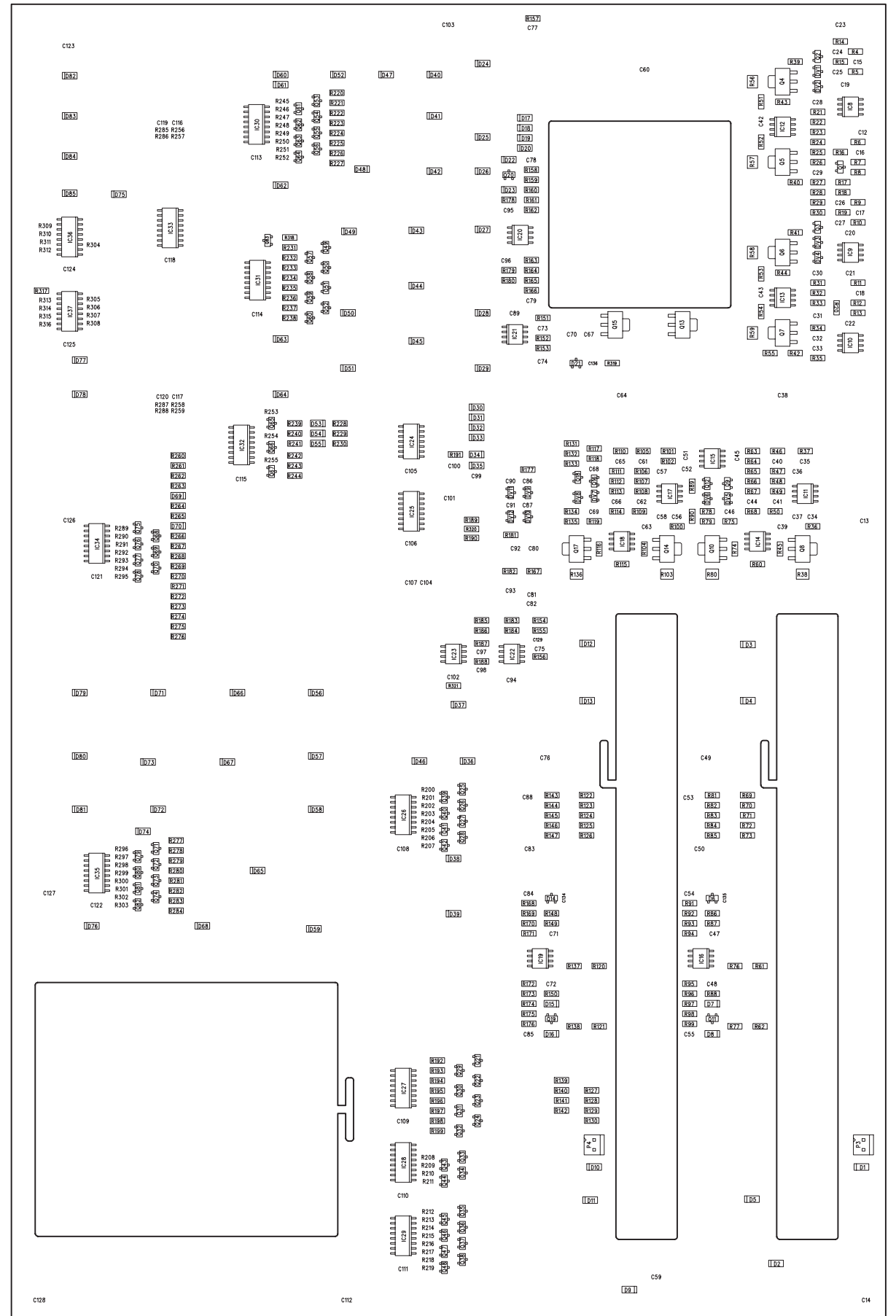
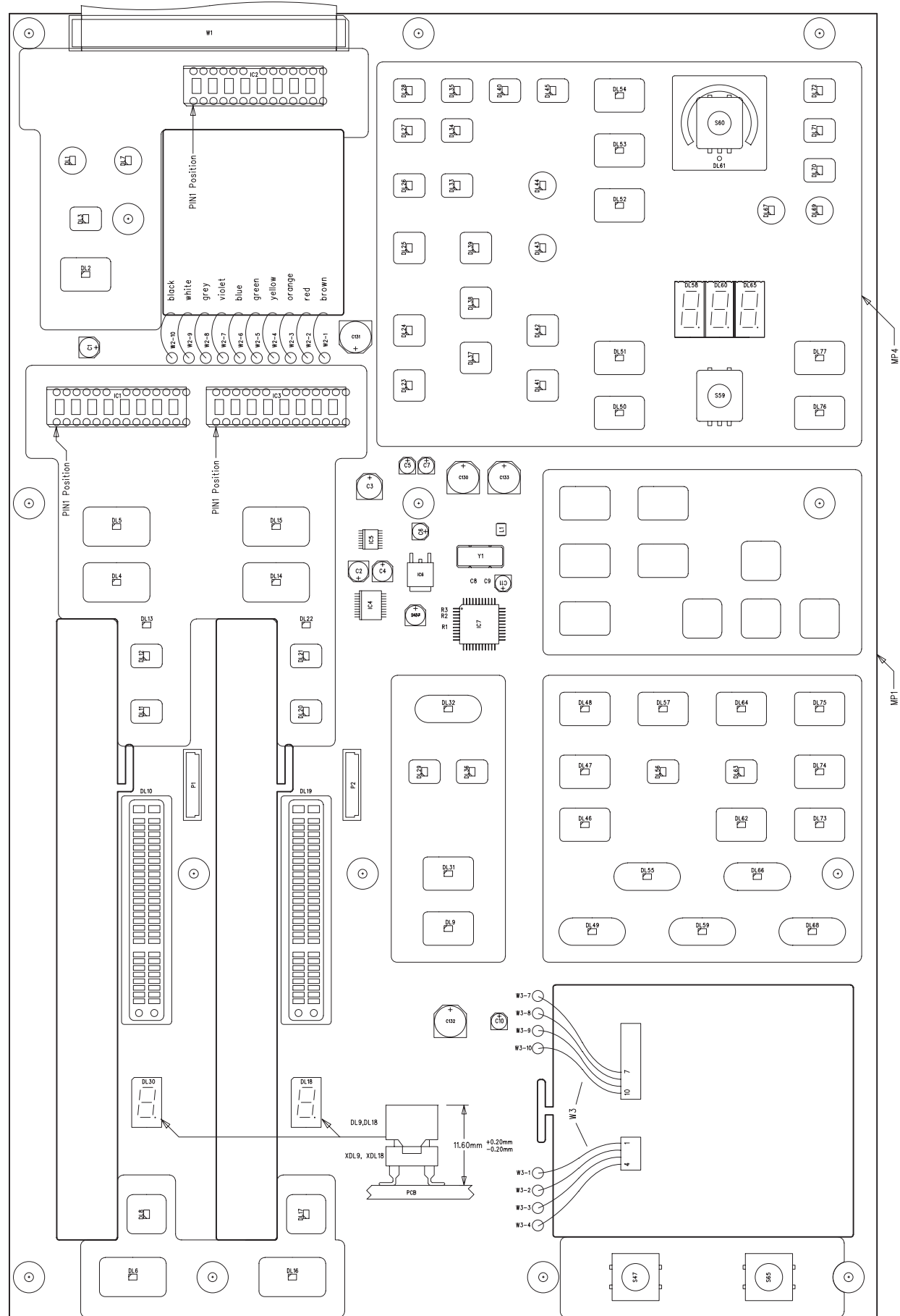
20.06.2006ZT			
Date:	0	Page:	7 / 8
Issue:		Sheet:	

W1-1	VCC_PC	{5,8}
W1-2	VCC_PC	{5,8}
W1-3	DP2	{5}
W1-4	DM2	{5}
W1-5	GND_PC	{5,8}
W1-6	GND_PC	{5,8}
W1-7	DP1	{5}
W1-8	DM1	{5}
W1-9	24V	{6,8}
W1-10	24V	{6,8}
W1-11	GND	{1,2,3,4,5,6,7,8}
W1-12	GND	{1,2,3,4,5,6,7,8}
W1-13	VCC	{1,2,3,4,5,6,7,8}
W1-14	VCC	{1,2,3,4,5,6,7,8}
W1-15	ILDSW_B2	{4}
W1-16	SHSW_B2	{4}
W1-17	LDLRI_B2	{1,2,3,4}
W1-18	SHLRI_B2	{1,2,3,4}
W1-19	DTENC_O_X	{5}
W1-20	SHENC_B2	{5}
W1-21	ILDENC_B2	{5}
W1-22	DTSW_O_X	{4}
W1-23	VLED1	{1,3,5,8}
W1-24	VLED1	{1,3,5,8}
W1-25	GND	{1,2,3,4,5,6,7,8}
W1-26	MTRSR_B2	{5,8}
W1-27	GND	{1,2,3,4,5,6,7,8}
W1-28	MRST	{8}
W1-29	RES	{5}
W1-30	SCLK_B2	{5,8}
W1-31	BLANK	{5}
W1-32	RS	{5}
W1-33	VLED1	{1,3,5,8}
W1-34	VLED1	{1,3,5,8}
W1-35	BDTLRI_0	{3,5}
W1-36	BDTLRI_0	{1}
W1-37	LOAD	{8}
W1-38	ADCS_4	{8}
W1-39	DACS_4	{8}
W1-40	ENFAD_11	{6}
W1-41	ENFAD_12	{6}
W1-42	ENFAD_13	{6}
W1-43	CE_DISPLAY_1	{7}
W1-44	CE_DISPLAY_2	{5}
W1-45	CE_DISPLAY_3	{5}
W1-46	GND	{1,2,3,4,5,6,7,8}
W1-47	GND	{1,2,3,4,5,6,7,8}
W1-48	12VB	{6,7,8}
W1-49	12VB	{6,7,8}
W1-50	12VB	{6,7,8}



20.06.2006ZT			
Index	0	Page	8 / 8
Rev		Order	1.949.834.00

Master Front PCB 1.949.834.00 (0)



20.06.2006	ZT	ML	HW
1.949.834.00	0		

MASTER FRONT, ESE

Master Front PCB 1.949.834.00 (0)

Idx. Pos.	Part No.	Qty.	Type/Val.	Description	Idx. Pos.	Part No.	Qty.	Type/Val.	Description
0 D 69	50.60.8101	1 pce	BAS85	200mA 30V Schottky SOD 80	0 DV 10	50.60.9013	1 pce	6V8	5%, 0.2W, SOT 23
0 D 70	50.60.8101	1 pce	BAS85	200mA 30V Schottky SOD 80	0 DV 11	50.60.9013	1 pce	6V8	5%, 0.2W, SOT 23
0 D 71	50.60.8001	1 pce	4448	200mA 75V 4ns SOD 80	0 DV 12	50.60.9013	1 pce	6V8	5%, 0.2W, SOT 23
0 D 72	50.60.8001	1 pce	4448	200mA 75V 4ns SOD 80	0 IC 1	73.01.0409	1 pce	8character	5*7 Dot matrix display green
0 D 73	50.60.8001	1 pce	4448	200mA 75V 4ns SOD 80	0 IC 2	73.01.0409	1 pce	8character	5*7 Dot matrix display green
0 D 74	50.60.8001	1 pce	4448	200mA 75V 4ns SOD 80	0 IC 3	73.01.0409	1 pce	8character	5*7 Dot matrix display green
0 D 75	50.60.8001	1 pce	4448	200mA 75V 4ns SOD 80	0 IC 4	50.61.8006	1 pce	DAC7614	4*D/A Converter 12bit SO 20
0 D 76	50.60.8001	1 pce	4448	200mA 75V 4ns SOD 80	0 IC 5	50.61.8106	1 pce	ADS7841	4*AD Converter 12bit SO 16
0 D 77	50.60.8001	1 pce	4448	200mA 75V 4ns SOD 80	0 IC 6	50.61.2003	1 pce	LM1117	Lin Reg 800mA adj
0 D 78	50.60.8001	1 pce	4448	200mA 75V 4ns SOD 80	0 IC 7	50.62.0303	1 pce	eKK8011B	Keyboard encoder PS2/USB
0 D 79	50.60.8001	1 pce	4448	200mA 75V 4ns SOD 80	0 IC 8	50.61.0201	1 pce	TL062	Dual FET Op-Amp
0 D 80	50.60.8001	1 pce	4448	200mA 75V 4ns SOD 80	0 IC 9	50.61.0201	1 pce	TL062	Dual FET Op-Amp
0 D 81	50.60.8001	1 pce	4448	200mA 75V 4ns SOD 80	0 IC 10	50.61.0201	1 pce	TL062	Dual FET Op-Amp
0 D 82	50.60.8001	1 pce	4448	200mA 75V 4ns SOD 80	0 IC 11	50.61.0201	1 pce	TL062	Dual FET Op-Amp
0 D 83	50.60.8001	1 pce	4448	200mA 75V 4ns SOD 80	0 IC 12	50.61.0201	1 pce	TL062	Dual FET Op-Amp
0 D 84	50.60.8001	1 pce	4448	200mA 75V 4ns SOD 80	0 IC 13	50.61.0201	1 pce	TL062	Dual FET Op-Amp
0 D 85	50.60.8001	1 pce	4448	200mA 75V 4ns SOD 80	0 IC 14	50.61.0201	1 pce	TL062	Dual FET Op-Amp
0 DL 1	50.60.9402	1 pce	yel	SMD LED yellow	0 IC 15	50.61.0201	1 pce	TL062	Dual FET Op-Amp
0 DL 2	50.60.9402	1 pce	yel	SMD LED yellow	0 IC 16	50.61.9001	1 pce	LM393	Dual voltage comp. SO 8
0 DL 3	50.60.9402	1 pce	yel	SMD LED yellow	0 IC 17	50.61.0201	1 pce	TL062	Dual FET Op-Amp
0 DL 4	50.60.9402	1 pce	yel	SMD LED yellow	0 IC 18	50.61.0201	1 pce	TL062	Dual FET Op-Amp
0 DL 5	50.60.9401	1 pce	red	SMD LED superred	0 IC 19	50.61.9001	1 pce	LM393	Dual voltage comp. SO 8
0 DL 6	50.60.9417	1 pce	gm	SMD LED 1.25*2,0	0 IC 20	50.61.9001	1 pce	LM393	Dual voltage comp. SO 8
0 DL 7	50.60.9402	1 pce	yel	SMD LED yellow	0 IC 21	50.61.0201	1 pce	TL062	Dual FET Op-Amp
0 DL 8	50.60.9418	1 pce	blu	SMD LED 1.25*2,0	0 IC 22	50.61.0201	1 pce	TL062	Dual FET Op-Amp
0 DL 9	73.01.0134	1 pce	7-SEG	7-SEGM.ANZEIGE LED GN 7.6 MM	0 IC 23	50.61.0201	1 pce	TL062	Dual FET Op-Amp
0 DL 10	50.04.2818	1 pce	red/yel/grn	LED STEREO BARGRAPH	0 IC 24	50.62.1014	1 pce	74HC 14	Hex Schmitt trigger inverter
0 DL 11	50.60.9401	1 pce	red	SMD LED superred	0 IC 25	50.62.1165	1 pce	74HC165	8bit shift register
0 DL 12	50.60.9402	1 pce	yel	SMD LED yellow	0 IC 26	50.62.1595	1 pce	74HC595	8bit shift/output register
0 DL 13	50.60.9401	1 pce	red	SMD LED superred	0 IC 27	50.62.1595	1 pce	74HC595	8bit shift/output register
0 DL 14	50.60.9402	1 pce	yel	SMD LED yellow	0 IC 28	50.62.1595	1 pce	74HC595	8bit shift/output register
0 DL 15	50.60.9401	1 pce	red	SMD LED superred	0 IC 29	50.62.1595	1 pce	74HC595	8bit shift/output register
0 DL 16	50.60.9417	1 pce	gm	SMD LED 1.25*2,0	0 IC 30	50.62.1595	1 pce	74HC595	8bit shift/output register
0 DL 17	50.60.9418	1 pce	blu	SMD LED 1.25*2,0	0 IC 31	50.62.1595	1 pce	74HC595	8bit shift/output register
0 DL 18	73.01.0134	1 pce	7-SEG	7-SEGM.ANZEIGE LED GN 7.6 MM	0 IC 32	50.62.1595	1 pce	74HC595	8bit shift/output register
0 DL 19	50.04.2818	1 pce	red/yel/grn	LED STEREO BARGRAPH	0 IC 33	50.62.1595	1 pce	74HC595	8bit shift/output register
0 DL 20	50.60.9401	1 pce	red	SMD LED superred	0 IC 34	50.62.1595	1 pce	74HC595	8bit shift/output register
0 DL 21	50.60.9402	1 pce	yel	SMD LED yellow	0 IC 35	50.62.1595	1 pce	74HC595	8bit shift/output register
0 DL 22	50.60.9401	1 pce	red	SMD LED superred	0 IC 36	50.62.1165	1 pce	74HC165	8bit shift register
0 DL 23	50.60.9402	1 pce	yel	SMD LED yellow	0 IC 37	50.62.1165	1 pce	74HC165	8bit shift register
0 DL 24	50.60.9402	1 pce	yel	SMD LED yellow	0 L 1	62.60.0113	1 pce	10uH	SMD 10% 1210
0 DL 25	50.60.9402	1 pce	yel	SMD LED yellow	0 MP 1	1.949.834.12	1 pce		MASTER FRONT PCB
0 DL 26	50.60.9402	1 pce	yel	SMD LED yellow	0 MP 2	1.949.834.10	1 pce		Nr. ETIKETTE 5x20
0 DL 27	50.60.9402	1 pce	yel	SMD LED yellow	0 MP 3	43.01.0108	1 pce	Label	ESE-Warnschild
0 DL 28	50.60.9402	1 pce	yel	SMD LED yellow	0 MP 4	1.949.834.01	1 pce		RUBBER SEIT
0 DL 29	50.60.9402	1 pce	yel	SMD LED yellow	0 P 1	54.60.0407	1 pce	7p	SMD Stecker male
0 DL 30	50.60.9402	1 pce	yel	SMD LED yellow	0 P 2	54.60.0407	1 pce	7p	SMD Stecker male
0 DL 31	50.60.9402	1 pce	yel	SMD LED yellow	0 P 3	54.12.0702	1 pce	2p	Stecker gerade PCB
0 DL 32	50.60.9402	1 pce	yel	SMD LED yellow	0 P 4	54.12.0702	1 pce	2p	Stecker gerade PCB
0 DL 33	50.60.9402	1 pce	yel	SMD LED yellow	0 Q 1	50.60.0001	1 pce	BC847B	NPN 45V 100mA SOT 23
0 DL 34	50.60.9402	1 pce	yel	SMD LED yellow	0 Q 2	50.60.2001	1 pce	J112	JFET N-Channel
0 DL 35	50.60.9402	1 pce	yel	SMD LED yellow	0 Q 3	50.60.2001	1 pce	J112	JFET N-Channel
0 DL 36	50.60.9402	1 pce	yel	SMD LED yellow	0 Q 4	50.60.1120	1 pce	BCP51-16	PNP 45V 1.0A SOT 223
0 DL 37	50.60.9402	1 pce	yel	SMD LED yellow	0 Q 5	50.60.0120	1 pce	BCP54-16	NPN 45V 1.0A SOT 223
0 DL 38	50.60.9402	1 pce	yel	SMD LED yellow	0 Q 6	50.60.1120	1 pce	BCP51-16	PNP 45V 1.0A SOT 223
0 DL 39	50.60.9401	1 pce	red	SMD LED superred	0 Q 7	50.60.0120	1 pce	BCP54-16	NPN 45V 1.0A SOT 223
0 DL 40	50.60.9402	1 pce	yel	SMD LED yellow	0 Q 8	50.60.0120	1 pce	BCP54-16	NPN 45V 1.0A SOT 223
0 DL 41	50.60.9402	1 pce	yel	SMD LED yellow	0 Q 9	50.60.0001	1 pce	BC847B	NPN 45V 100mA SOT 23
0 DL 42	50.60.9402	1 pce	yel	SMD LED yellow	0 Q 10	50.60.1120	1 pce	BCP51-16	PNP 45V 1.0A SOT 223
0 DL 43	50.60.9401	1 pce	red	SMD LED superred	0 Q 11	50.60.0001	1 pce	BC847B	NPN 45V 100mA SOT 23
0 DL 44	50.60.9402	1 pce	yel	SMD LED yellow	0 Q 12	50.60.2001	1 pce	J112	JFET N-Channel
0 DL 45	50.60.9402	1 pce	yel	SMD LED yellow	0 Q 13	50.60.0120	1 pce	BCP54-16	NPN 45V 1.0A SOT 223
0 DL 46	50.60.9402	1 pce	yel	SMD LED yellow	0 Q 14	50.60.0120	1 pce	BCP54-16	NPN 45V 1.0A SOT 223
0 DL 47	50.60.9402	1 pce	yel	SMD LED yellow	0 Q 15	50.60.1120	1 pce	BCP51-16	PNP 45V 1.0A SOT 223
0 DL 48	50.60.9402	1 pce	yel	SMD LED yellow	0 Q 16	50.60.0001	1 pce	BC847B	NPN 45V 100mA SOT 23
0 DL 49	50.60.9402	1 pce	yel	SMD LED yellow	0 Q 17	50.60.1120	1 pce	BCP51-16	PNP 45V 1.0A SOT 223
0 DL 50	50.60.9401	1 pce	red	SMD LED superred	0 Q 18	50.60.2001	1 pce	J112	JFET N-Channel
0 DL 51	50.60.9401	1 pce	red	SMD LED superred	0 Q 19	50.60.0001	1 pce	BC847B	NPN 45V 100mA SOT 23
0 DL 52	50.60.9402	1 pce	yel	SMD LED yellow	0 Q 20	50.60.0001	1 pce	BC847B	NPN 45V 100mA SOT 23
0 DL 53	50.60.9401	1 pce	red	SMD LED superred	0 Q 21	50.60.1101	1 pce	FM7T17	PNP 12V 1.5A SOT 23
0 DL 54	50.60.9402	1 pce	yel	SMD LED yellow	0 Q 22	50.60.1101	1 pce	FM7T17	PNP 12V 1.5A SOT 23
0 DL 55	50.60.9402	1 pce	yel	SMD LED yellow	0 Q 23	50.60.1101	1 pce	FM7T17	PNP 12V 1.5A SOT 23
0 DL 56	50.60.9402	1 pce	yel	SMD LED yellow	0 Q 24	50.60.1101	1 pce	FM7T17	PNP 12V 1.5A SOT 23
0 DL 57	50.60.9402	1 pce	yel	SMD LED yellow	0 Q 25	50.60.0050	1 pce	BC817-25	NPN 45V 800mA SOT 23
0 DL 58	73.01.0137	1 pce	7-SEG	7-Segm.Anzeige LED gn 9.1mm	0 Q 26	50.60.0050	1 pce	BC817-25	NPN 45V 800mA SOT 23
0 DL 59	50.60.9402	1 pce	yel	SMD LED yellow	0 Q 27	50.60.0050	1 pce	BC817-25	NPN 45V 800mA SOT 23
0 DL 60	73.01.0137	1 pce	7-SEG	7-Segm.Anzeige LED gn 9.1mm	0 Q 28	50.60.0050	1 pce	BC817-25	NPN 45V 800mA SOT 23
0 DL 61	50.04.2860	1 pce	gm/red	LED Ring	0 Q 29	50.60.1101	1 pce	FM7T17	PNP 12V 1.5A SOT 23
0 DL 62	50.60.9401	1 pce	red	SMD LED superred	0 Q 30	50.60.1101	1 pce	FM7T17	PNP 12V 1.5A SOT 23
0 DL 63	50.60.9401	1 pce	red	SMD LED superred	0 Q 31	50.60.1101	1 pce	FM7T17	PNP 12V 1.5A SOT 23
0 DL 64	50.60.9402	1 pce	yel	SMD LED yellow	0 Q 32	50.60.1101	1 pce	FM7T17	PNP 12V 1.5A SOT 23
0 DL 65	73.01.0137	1 pce	7-SEG	7-Segm.Anzeige LED gn 9.1mm	0 Q 33	50.60.0050	1 pce	BC817-25	NPN 45V 800mA SOT 23
0 DL 66	50.60.9402	1 pce	yel	SMD LED yellow	0 Q 34	50.60.0050	1 pce	BC817-25	NPN 45V 800mA SOT 23
0 DL 67	50.60.9402	1 pce	yel	SMD LED yellow	0 Q 35	50.60.0050	1 pce	BC817-25	NPN 45V 800mA SOT 23
0 DL 68	50.60.9402	1 pce	yel	SMD LED yellow	0 Q 36	50.60.0050	1 pce	BC817-25	NPN 45V 800mA SOT 23
0 DL 69	50.60.9401	1 pce	red	SMD LED superred	0 Q 37	50.60.0050	1 pce	BC817-25	NPN 45V 800mA SOT 23
0 DL 70	50.60.9402	1 pce	yel	SMD LED yellow	0 Q 38	50.60.0050	1 pce	BC817-25	NPN 45V 800mA SOT 23
0 DL 71	50.60.9417	1 pce	gm	SMD LED 1.25*2,0	0 Q 39	50.60.0050	1 pce	BC817-25	NPN 45V 800mA SOT 23
0 DL 72	50.60.9401	1 pce	red	SMD LED superred	0 Q 40	50.60.0050	1 pce	BC817-25	NPN 45V 800mA SOT 23
0 DL 73	50.60.9402	1 pce	yel	SMD LED yellow	0 Q 41	50.60.0050	1 pce	BC817-25	NPN 45V 800mA SOT 23
0 DL 74	50.60.9402	1 pce	yel	SMD LED yellow	0 Q 42	50.60.0050	1 pce	BC817-25	NPN 45V 800mA SOT 23
0 DL 75	50.60.9402	1 pce	yel	SMD LED yellow	0 Q 43	50.60.0050	1 pce	BC817-25	NPN 45V 800mA SOT 23
0 DL 76	50.60.9402	1 pce	yel	SMD LED yellow	0 Q 44	50.60.0050	1 pce	BC817-25	NPN 45V 800mA SOT 23
0 DL 77	50.60.9402	1 pce	yel	SMD LED yellow	0 Q 45	50.60.0050	1 pce	BC817-25	NPN 45V 800mA SOT 23
0 DV 1	50.60.9007	1 pce	3V9	5%, 0.2W, SOT 23	0 Q 46	50.60.0050	1 pce	BC817-25	NPN 45V 800mA SOT 23
0 DV 2	50.60.9007	1 pce	3V9	5%, 0.2W, SOT 23	0 Q 47	50.60.0050	1 pce	BC817-25	NPN 45V 800mA SOT 23
0 DV 3	50.60.9007	1 pce	3V9	5%, 0.2W, SOT 23	0 Q 48	50.60.0050	1 pce	BC817-25	NPN 45V 800mA SOT 23
0 DV 4	50.60.9007	1 pce	3V9	5%, 0.2W, SOT 23	0 Q 49	50.60.1101	1 pce	FM7T17	PNP 12V 1.5A SOT 23
0 DV 5	50.60.9007	1 pce	3V9	5%, 0.2W, SOT 23	0 Q 50	50.60.1101	1 pce	FM7T17	PNP 12V 1.5A SOT 23
0 DV 6	50.60.9007	1 pce	3V9	5%, 0.2W, SOT 23	0 Q 51	50.60.1101	1 pce	FM7T17	PNP 12V 1.5A SOT 23
0 DV 7	50.60.9007	1 pce	3V9	5%, 0.2W, SOT 23	0 Q 52	50.60.1101	1 pce	FM7T17	PNP 12V 1.5A SOT 23
0 DV 8	50.60.9007	1 pce	3V9	5%, 0.2W, SOT 23	0 Q 53	50.60.0050	1 pce	BC817-25	NPN 45V 800mA SOT 23
0 DV 9	50.60.9013	1 pce	6V8	5%, 0.2W, SOT 23	0 Q 54	50.60.0050	1 pce	BC817-25	NPN 45V 800mA SOT 23

Master Front PCB 1.949.834.00 (0)

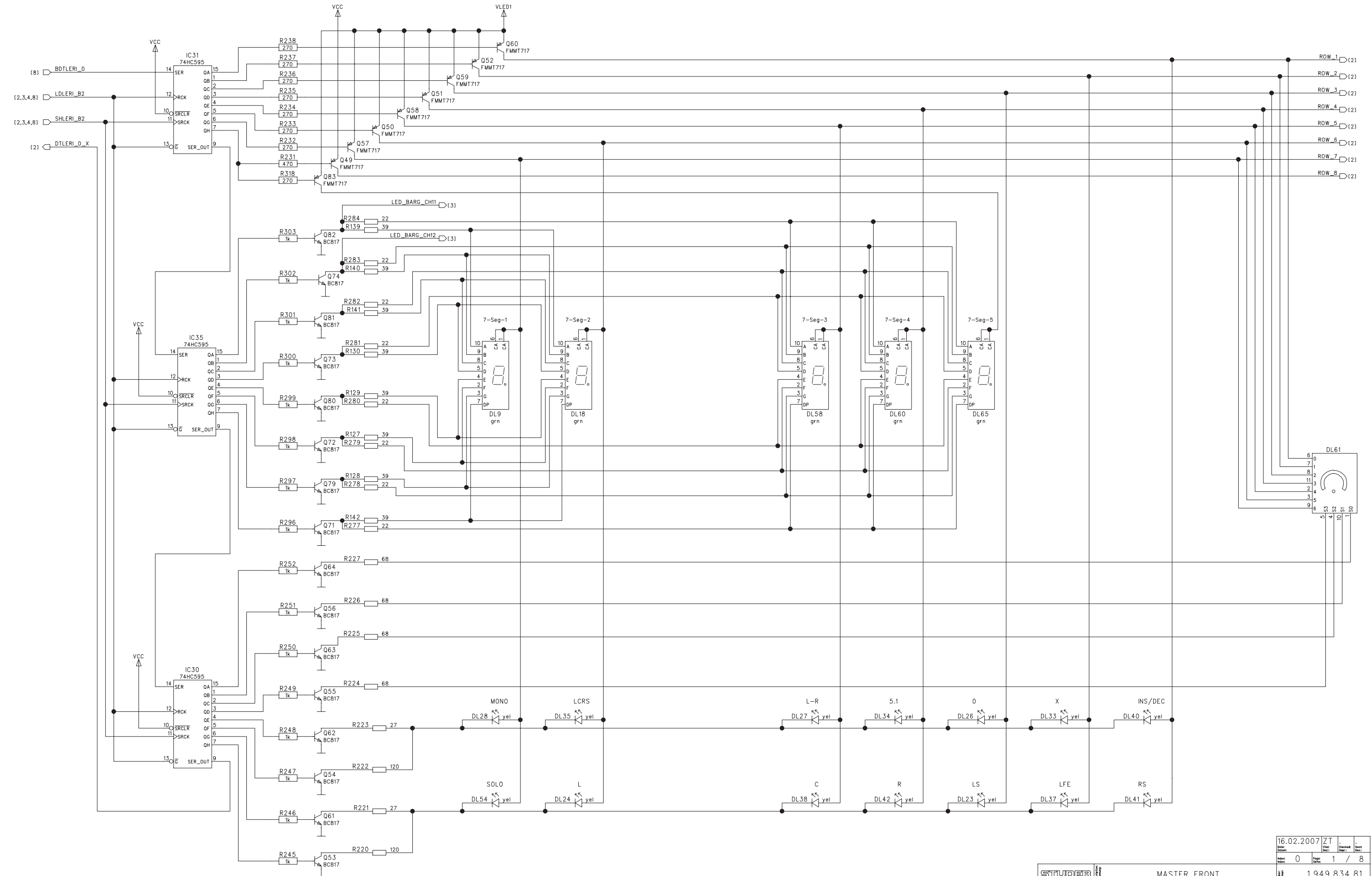
Idx. Pos.	Part No.	Qty.	Type/Val.	Description	Idx. Pos.	Part No.	Qty.	Type/Val.	Description
0 Q 55	50.60.0050	1 pce	BC817-25	NPN 45V 800mA SOT 23	0 R 75	57.60.1105	1 pce	1M0	MF, 1%, 0204, E24
0 Q 56	50.60.0050	1 pce	BC817-25	NPN 45V 800mA SOT 23	0 R 76	57.60.1330	1 pce	33R	MF, 1%, 0204, E24
0 Q 57	50.60.1101	1 pce	FMMT717	PNP 12V 1.5A SOT 23	0 R 77	57.60.1680	1 pce	68R	MF, 1%, 0204, E24
0 Q 58	50.60.1101	1 pce	FMMT717	PNP 12V 1.5A SOT 23	0 R 78	57.60.1104	1 pce	100k	MF, 1%, 0204, E24
0 Q 59	50.60.1101	1 pce	FMMT717	PNP 12V 1.5A SOT 23	0 R 79	57.60.1223	1 pce	22k	MF, 1%, 0204, E24
0 Q 60	50.60.1101	1 pce	FMMT717	PNP 12V 1.5A SOT 23	0 R 80	57.69.8302	1 pce	0.2A	PTC
0 Q 61	50.60.0050	1 pce	BC817-25	NPN 45V 800mA SOT 23	0 R 81	57.60.1680	1 pce	68R	MF, 1%, 0204, E24
0 Q 62	50.60.0050	1 pce	BC817-25	NPN 45V 800mA SOT 23	0 R 82	57.60.1330	1 pce	33R	MF, 1%, 0204, E24
0 Q 63	50.60.0050	1 pce	BC817-25	NPN 45V 800mA SOT 23	0 R 83	57.60.1680	1 pce	68R	MF, 1%, 0204, E24
0 Q 64	50.60.0050	1 pce	BC817-25	NPN 45V 800mA SOT 23	0 R 84	57.60.1330	1 pce	33R	MF, 1%, 0204, E24
0 Q 65	50.60.0050	1 pce	BC817-25	NPN 45V 800mA SOT 23	0 R 85	57.60.1330	1 pce	33R	MF, 1%, 0204, E24
0 Q 66	50.60.0050	1 pce	BC817-25	NPN 45V 800mA SOT 23	0 R 86	57.60.1153	1 pce	15k	MF, 1%, 0204, E24
0 Q 67	50.60.0050	1 pce	BC817-25	NPN 45V 800mA SOT 23	0 R 87	57.60.1153	1 pce	15k	MF, 1%, 0204, E24
0 Q 68	50.60.0050	1 pce	BC817-25	NPN 45V 800mA SOT 23	0 R 88	57.60.1332	1 pce	3k3	MF, 1%, 0204, E24
0 Q 69	50.60.0050	1 pce	BC817-25	NPN 45V 800mA SOT 23	0 R 89	57.60.1224	1 pce	220k	MF, 1%, 0204, E24
0 Q 70	50.60.0050	1 pce	BC817-25	NPN 45V 800mA SOT 23	0 R 90	57.60.1224	1 pce	220k	MF, 1%, 0204, E24
0 Q 71	50.60.0050	1 pce	BC817-25	NPN 45V 800mA SOT 23	0 R 91	57.60.1102	1 pce	1k0	MF, 1%, 0204, E24
0 Q 72	50.60.0050	1 pce	BC817-25	NPN 45V 800mA SOT 23	0 R 92	57.60.1102	1 pce	1k0	MF, 1%, 0204, E24
0 Q 73	50.60.0050	1 pce	BC817-25	NPN 45V 800mA SOT 23	0 R 93	57.60.1104	1 pce	100k	MF, 1%, 0204, E24
0 Q 74	50.60.0050	1 pce	BC817-25	NPN 45V 800mA SOT 23	0 R 94	57.60.1394	1 pce	390k	MF, 1%, 0204, E24
0 Q 75	50.60.0050	1 pce	BC817-25	NPN 45V 800mA SOT 23	0 R 95	57.60.1335	1 pce	3M3	MF, 1%, 0204, E24
0 Q 76	50.60.0050	1 pce	BC817-25	NPN 45V 800mA SOT 23	0 R 96	57.60.1333	1 pce	33k	MF, 1%, 0204, E24
0 Q 77	50.60.0050	1 pce	BC817-25	NPN 45V 800mA SOT 23	0 R 97	57.60.1104	1 pce	100k	MF, 1%, 0204, E24
0 Q 78	50.60.0050	1 pce	BC817-25	NPN 45V 800mA SOT 23	0 R 98	57.60.1563	1 pce	56k	MF, 1%, 0204, E24
0 Q 79	50.60.0050	1 pce	BC817-25	NPN 45V 800mA SOT 23	0 R 99	57.60.1564	1 pce	560k	MF, 1%, 0204, E24
0 Q 80	50.60.0050	1 pce	BC817-25	NPN 45V 800mA SOT 23	0 R 100	57.60.1102	1 pce	1k0	MF, 1%, 0204, E24
0 Q 81	50.60.0050	1 pce	BC817-25	NPN 45V 800mA SOT 23	0 R 101	57.60.1754	1 pce	750k	MF, 1%, 0204, E24
0 Q 82	50.60.0050	1 pce	BC817-25	NPN 45V 800mA SOT 23	0 R 102	57.60.1754	1 pce	750k	MF, 1%, 0204, E24
0 Q 83	50.60.1101	1 pce	FMMT717	PNP 12V 1.5A SOT 23	0 R 103	57.69.8302	1 pce	0.2A	PTC
0 R 1	57.69.1000	1 pce	OR0	CF 5% 0603	0 R 104	57.60.1221	1 pce	220R	MF, 1%, 0204, E24
0 R 2	57.69.1097	1 pce	10k	CF 5% 0603	0 R 105	57.60.1184	1 pce	180k	MF, 1%, 0204, E24
0 R 3	57.69.1097	1 pce	10k	CF 5% 0603	0 R 106	57.60.1223	1 pce	22k	MF, 1%, 0204, E24
0 R 4	57.60.1184	1 pce	180k	MF, 1%, 0204, E24	0 R 107	57.60.1224	1 pce	220k	MF, 1%, 0204, E24
0 R 5	57.60.1754	1 pce	750k	MF, 1%, 0204, E24	0 R 108	57.60.1224	1 pce	220k	MF, 1%, 0204, E24
0 R 6	57.60.1224	1 pce	220k	MF, 1%, 0204, E24	0 R 109	57.60.1223	1 pce	22k	MF, 1%, 0204, E24
0 R 7	57.60.1223	1 pce	22k	MF, 1%, 0204, E24	0 R 110	57.60.1184	1 pce	180k	MF, 1%, 0204, E24
0 R 8	57.60.1224	1 pce	220k	MF, 1%, 0204, E24	0 R 111	57.60.1104	1 pce	100k	MF, 1%, 0204, E24
0 R 9	57.60.1184	1 pce	180k	MF, 1%, 0204, E24	0 R 112	57.60.1104	1 pce	100k	MF, 1%, 0204, E24
0 R 10	57.60.1754	1 pce	750k	MF, 1%, 0204, E24	0 R 113	57.60.1102	1 pce	1k0	MF, 1%, 0204, E24
0 R 11	57.60.1224	1 pce	220k	MF, 1%, 0204, E24	0 R 114	57.60.1473	1 pce	47k	MF, 1%, 0204, E24
0 R 12	57.60.1223	1 pce	22k	MF, 1%, 0204, E24	0 R 115	57.60.1224	1 pce	220k	MF, 1%, 0204, E24
0 R 13	57.60.1224	1 pce	220k	MF, 1%, 0204, E24	0 R 116	57.60.1221	1 pce	220R	MF, 1%, 0204, E24
0 R 14	57.60.1184	1 pce	180k	MF, 1%, 0204, E24	0 R 117	57.60.1333	1 pce	33k	MF, 1%, 0204, E24
0 R 15	57.60.1754	1 pce	750k	MF, 1%, 0204, E24	0 R 118	57.60.1183	1 pce	18k	MF, 1%, 0204, E24
0 R 16	57.60.1473	1 pce	47k	MF, 1%, 0204, E24	0 R 119	57.60.1105	1 pce	1M0	MF, 1%, 0204, E24
0 R 17	57.60.1224	1 pce	220k	MF, 1%, 0204, E24	0 R 120	57.60.1330	1 pce	33R	MF, 1%, 0204, E24
0 R 18	57.60.1184	1 pce	180k	MF, 1%, 0204, E24	0 R 121	57.60.1330	1 pce	33R	MF, 1%, 0204, E24
0 R 19	57.60.1754	1 pce	750k	MF, 1%, 0204, E24	0 R 122	57.60.1680	1 pce	68R	MF, 1%, 0204, E24
0 R 20	57.60.1154	1 pce	150k	MF, 1%, 0204, E24	0 R 123	57.60.1330	1 pce	33R	MF, 1%, 0204, E24
0 R 21	57.60.1224	1 pce	220k	MF, 1%, 0204, E24	0 R 124	57.60.1680	1 pce	68R	MF, 1%, 0204, E24
0 R 22	57.60.1225	1 pce	2M2	MF, 1%, 0204, E24	0 R 125	57.60.1330	1 pce	33R	MF, 1%, 0204, E24
0 R 23	57.60.1154	1 pce	150k	MF, 1%, 0204, E24	0 R 126	57.60.1330	1 pce	33R	MF, 1%, 0204, E24
0 R 24	57.60.1154	1 pce	150k	MF, 1%, 0204, E24	0 R 127	57.60.1390	1 pce	39R	MF, 1%, 0204, E24
0 R 25	57.60.1104	1 pce	100k	MF, 1%, 0204, E24	0 R 128	57.60.1390	1 pce	39R	MF, 1%, 0204, E24
0 R 26	57.60.1104	1 pce	100k	MF, 1%, 0204, E24	0 R 129	57.60.1390	1 pce	39R	MF, 1%, 0204, E24
0 R 27	57.60.1224	1 pce	220k	MF, 1%, 0204, E24	0 R 130	57.60.1390	1 pce	39R	MF, 1%, 0204, E24
0 R 28	57.60.1754	1 pce	750k	MF, 1%, 0204, E24	0 R 131	57.60.1184	1 pce	180k	MF, 1%, 0204, E24
0 R 29	57.60.1184	1 pce	180k	MF, 1%, 0204, E24	0 R 132	57.60.1184	1 pce	180k	MF, 1%, 0204, E24
0 R 30	57.60.1184	1 pce	180k	MF, 1%, 0204, E24	0 R 133	57.60.1754	1 pce	750k	MF, 1%, 0204, E24
0 R 31	57.60.1224	1 pce	220k	MF, 1%, 0204, E24	0 R 134	57.60.1104	1 pce	100k	MF, 1%, 0204, E24
0 R 32	57.60.1225	1 pce	2M2	MF, 1%, 0204, E24	0 R 135	57.60.1223	1 pce	22k	MF, 1%, 0204, E24
0 R 33	57.60.1154	1 pce	150k	MF, 1%, 0204, E24	0 R 136	57.69.8302	1 pce	0.2A	PTC
0 R 34	57.60.1102	1 pce	1k0	MF, 1%, 0204, E24	0 R 137	57.60.1330	1 pce	33R	MF, 1%, 0204, E24
0 R 35	57.60.1102	1 pce	1k0	MF, 1%, 0204, E24	0 R 138	57.60.1680	1 pce	68R	MF, 1%, 0204, E24
0 R 36	57.60.1102	1 pce	1k0	MF, 1%, 0204, E24	0 R 139	57.60.1390	1 pce	39R	MF, 1%, 0204, E24
0 R 37	57.60.1184	1 pce	180k	MF, 1%, 0204, E24	0 R 140	57.60.1390	1 pce	39R	MF, 1%, 0204, E24
0 R 38	57.69.8302	1 pce	0.2A	PTC	0 R 141	57.60.1390	1 pce	39R	MF, 1%, 0204, E24
0 R 39	57.60.1221	1 pce	220R	MF, 1%, 0204, E24	0 R 142	57.60.1390	1 pce	39R	MF, 1%, 0204, E24
0 R 40	57.60.1221	1 pce	220R	MF, 1%, 0204, E24	0 R 143	57.60.1680	1 pce	68R	MF, 1%, 0204, E24
0 R 41	57.60.1221	1 pce	220R	MF, 1%, 0204, E24	0 R 144	57.60.1330	1 pce	33R	MF, 1%, 0204, E24
0 R 42	57.60.1221	1 pce	220R	MF, 1%, 0204, E24	0 R 145	57.60.1680	1 pce	68R	MF, 1%, 0204, E24
0 R 43	57.60.1473	1 pce	47k	MF, 1%, 0204, E24	0 R 146	57.60.1330	1 pce	33R	MF, 1%, 0204, E24
0 R 44	57.60.1473	1 pce	47k	MF, 1%, 0204, E24	0 R 147	57.60.1330	1 pce	33R	MF, 1%, 0204, E24
0 R 45	57.60.1221	1 pce	220R	MF, 1%, 0204, E24	0 R 148	57.60.1153	1 pce	15k	MF, 1%, 0204, E24
0 R 46	57.60.1184	1 pce	180k	MF, 1%, 0204, E24	0 R 149	57.60.1153	1 pce	15k	MF, 1%, 0204, E24
0 R 47	57.60.1223	1 pce	22k	MF, 1%, 0204, E24	0 R 150	57.60.1332	1 pce	3k3	MF, 1%, 0204, E24
0 R 48	57.60.1224	1 pce	220k	MF, 1%, 0204, E24	0 R 151	57.60.1102	1 pce	1k0	MF, 1%, 0204, E24
0 R 49	57.60.1224	1 pce	220k	MF, 1%, 0204, E24	0 R 152	57.60.1104	1 pce	100k	MF, 1%, 0204, E24
0 R 50	57.60.1223	1 pce	22k	MF, 1%, 0204, E24	0 R 153	57.60.1104	1 pce	100k	MF, 1%, 0204, E24
0 R 51	57.60.1221	1 pce	220R	MF, 1%, 0204, E24	0 R 154	57.60.1103	1 pce	10k	MF, 1%, 0204, E24
0 R 52	57.60.1224	1 pce	220k	MF, 1%, 0204, E24	0 R 155	57.60.1103	1 pce	10k	MF, 1%, 0204, E24
0 R 53	57.60.1221	1 pce	220R	MF, 1%, 0204, E24	0 R 156	57.60.1101	1 pce	100R	MF, 1%, 0204, E24
0 R 54	57.60.1224	1 pce	220k	MF, 1%, 0204, E24	0 R 157	57.60.1000	1 pce	0R0	MF, 0204
0 R 55	57.60.1101	1 pce	100R	MF, 1%, 0204, E24	0 R 158	57.60.1564	1 pce	560k	MF, 1%, 0204, E24
0 R 56	57.69.8302	1 pce	0.2A	PTC	0 R 159	57.60.1563	1 pce	56k	MF, 1%, 0204, E24
0 R 57	57.69.8302	1 pce	0.2A	PTC	0 R 160	57.60.1104	1 pce	100k	MF, 1%, 0204, E24
0 R 58	57.69.8302	1 pce	0.2A	PTC	0 R 161	57.60.1333	1 pce	33k	MF, 1%, 0204, E24
0 R 59	57.69.8302	1 pce	0.2A	PTC	0 R 162	57.60.1335	1 pce	3M3	MF, 1%, 0204, E24
0 R 60	57.60.1224	1 pce	220k	MF, 1%, 0204, E24	0 R 163	57.60.1394	1 pce	390k	MF, 1%, 0204, E24
0 R 61	57.60.1330	1 pce	33R	MF, 1%, 0204, E24	0 R 164	57.60.1104	1 pce	100k	MF, 1%, 0204, E24
0 R 62	57.60.1330	1 pce	33R	MF, 1%, 0204, E24	0 R 165	57.60.1102	1 pce	1k0	MF, 1%, 0204, E24
0 R 63	57.60.1754	1 pce	750k	MF, 1%, 0204, E24	0 R 166	57.60.1102	1 pce	1k0	MF, 1%, 0204, E24
0 R 64	57.60.1754	1 pce	750k	MF, 1%, 0204, E24	0 R 167	57.60.1220	1 pce	22R	MF, 1%, 0204, E24
0 R 65	57.60.1104	1 pce	100k	MF, 1%, 0204, E24	0 R 168	57.60.1102	1 pce	1k0	MF, 1%, 0204, E24
0 R 66	57.60.1104	1 pce	100k	MF, 1%, 0204, E24	0 R 169	57.60.1102	1 pce	1k0	MF, 1%, 0204, E24
0 R 67	57.60.1102								

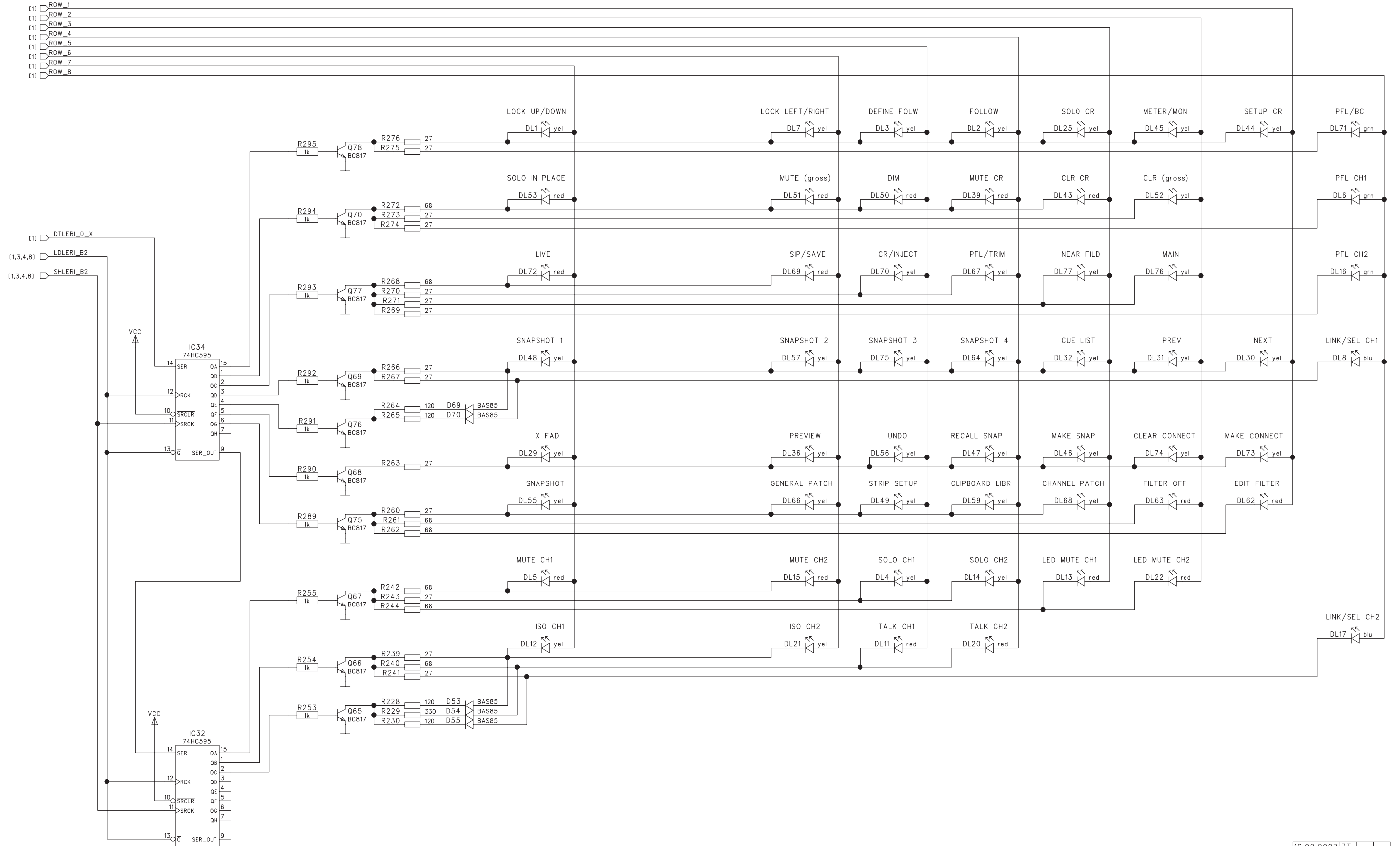
Master Front PCB 1.949.834.00 (0)

Idx. Pos.	Part No.	Qty.	Type/Val.	Description	Idx. Pos.	Part No.	Qty.	Type/Val.	Description
0 R 178	57.60.1332	1 pce	3k3	MF, 1%, 0204, E24	0 R 281	57.60.1220	1 pce	22R	MF, 1%, 0204, E24
0 R 179	57.60.1153	1 pce	15k	MF, 1%, 0204, E24	0 R 282	57.60.1220	1 pce	22R	MF, 1%, 0204, E24
0 R 180	57.60.1153	1 pce	15k	MF, 1%, 0204, E24	0 R 283	57.60.1220	1 pce	22R	MF, 1%, 0204, E24
0 R 181	57.60.1220	1 pce	22R	MF, 1%, 0204, E24	0 R 284	57.60.1220	1 pce	22R	MF, 1%, 0204, E24
0 R 182	57.60.1220	1 pce	22R	MF, 1%, 0204, E24	0 R 285	57.69.1121	1 pce	100k	CF 5% 0603
0 R 183	57.60.1103	1 pce	10k	MF, 1%, 0204, E24	0 R 286	57.69.1097	1 pce	10k	CF 5% 0603
0 R 184	57.60.1103	1 pce	10k	MF, 1%, 0204, E24	0 R 287	57.69.1121	1 pce	100k	CF 5% 0603
0 R 185	57.60.1332	1 pce	3k3	MF, 1%, 0204, E24	0 R 288	57.69.1097	1 pce	10k	CF 5% 0603
0 R 186	57.60.1301	1 pce	300R	MF, 1%, 0204, E24	0 R 289	57.69.1073	1 pce	1k0	CF 5% 0603
0 R 187	57.60.1101	1 pce	100R	MF, 1%, 0204, E24	0 R 290	57.69.1073	1 pce	1k0	CF 5% 0603
0 R 188	57.60.1101	1 pce	100R	MF, 1%, 0204, E24	0 R 291	57.69.1073	1 pce	1k0	CF 5% 0603
0 R 189	57.60.1102	1 pce	1k0	MF, 1%, 0204, E24	0 R 292	57.69.1073	1 pce	1k0	CF 5% 0603
0 R 190	57.60.1221	1 pce	220R	MF, 1%, 0204, E24	0 R 293	57.69.1073	1 pce	1k0	CF 5% 0603
0 R 191	57.60.1332	1 pce	3k3	MF, 1%, 0204, E24	0 R 294	57.69.1073	1 pce	1k0	CF 5% 0603
0 R 192	57.60.1271	1 pce	270R	MF, 1%, 0204, E24	0 R 295	57.69.1073	1 pce	1k0	CF 5% 0603
0 R 193	57.60.1271	1 pce	270R	MF, 1%, 0204, E24	0 R 296	57.69.1073	1 pce	1k0	CF 5% 0603
0 R 194	57.60.1271	1 pce	270R	MF, 1%, 0204, E24	0 R 297	57.69.1073	1 pce	1k0	CF 5% 0603
0 R 195	57.60.1271	1 pce	270R	MF, 1%, 0204, E24	0 R 298	57.69.1073	1 pce	1k0	CF 5% 0603
0 R 196	57.60.1271	1 pce	270R	MF, 1%, 0204, E24	0 R 299	57.69.1073	1 pce	1k0	CF 5% 0603
0 R 197	57.60.1271	1 pce	270R	MF, 1%, 0204, E24	0 R 300	57.69.1073	1 pce	1k0	CF 5% 0603
0 R 198	57.60.1271	1 pce	270R	MF, 1%, 0204, E24	0 R 301	57.69.1073	1 pce	1k0	CF 5% 0603
0 R 199	57.60.1271	1 pce	270R	MF, 1%, 0204, E24	0 R 302	57.69.1073	1 pce	1k0	CF 5% 0603
0 R 200	57.69.1073	1 pce	1k0	CF 5% 0603	0 R 303	57.69.1073	1 pce	1k0	CF 5% 0603
0 R 201	57.69.1073	1 pce	1k0	CF 5% 0603	0 R 304	57.69.1085	1 pce	3k3	CF 5% 0603
0 R 202	57.69.1073	1 pce	1k0	CF 5% 0603	0 R 305	57.69.1097	1 pce	10k	CF 5% 0603
0 R 203	57.69.1073	1 pce	1k0	CF 5% 0603	0 R 306	57.69.1097	1 pce	10k	CF 5% 0603
0 R 204	57.69.1073	1 pce	1k0	CF 5% 0603	0 R 307	57.69.1097	1 pce	10k	CF 5% 0603
0 R 205	57.69.1073	1 pce	1k0	CF 5% 0603	0 R 308	57.69.1097	1 pce	10k	CF 5% 0603
0 R 206	57.69.1073	1 pce	1k0	CF 5% 0603	0 R 309	57.69.1097	1 pce	10k	CF 5% 0603
0 R 207	57.69.1073	1 pce	1k0	CF 5% 0603	0 R 310	57.69.1097	1 pce	10k	CF 5% 0603
0 R 208	57.69.1073	1 pce	1k0	CF 5% 0603	0 R 311	57.69.1085	1 pce	3k3	CF 5% 0603
0 R 209	57.69.1073	1 pce	1k0	CF 5% 0603	0 R 312	57.69.1085	1 pce	3k3	CF 5% 0603
0 R 210	57.69.1073	1 pce	1k0	CF 5% 0603	0 R 313	57.69.1097	1 pce	10k	CF 5% 0603
0 R 211	57.69.1073	1 pce	1k0	CF 5% 0603	0 R 314	57.69.1097	1 pce	10k	CF 5% 0603
0 R 212	57.69.1073	1 pce	1k0	CF 5% 0603	0 R 315	57.69.1097	1 pce	10k	CF 5% 0603
0 R 213	57.69.1073	1 pce	1k0	CF 5% 0603	0 R 316	57.69.1097	1 pce	10k	CF 5% 0603
0 R 214	57.69.1073	1 pce	1k0	CF 5% 0603	0 R 317	57.60.1470	1 pce	47R	MF, 1%, 0204, E24
0 R 215	57.69.1073	1 pce	1k0	CF 5% 0603	0 R 318	57.60.1271	1 pce	270R	MF, 1%, 0204, E24
0 R 216	57.69.1073	1 pce	1k0	CF 5% 0603	0 R 319	57.60.1102	1 pce	1k0	MF, 1%, 0204, E24
0 R 217	57.69.1073	1 pce	1k0	CF 5% 0603	0 R 320	57.60.1182	1 pce	1k8	MF, 1%, 0204, E24
0 R 218	57.69.1073	1 pce	1k0	CF 5% 0603	0 R 321	57.60.1220	1 pce	22R	MF, 1%, 0204, E24
0 R 219	57.69.1073	1 pce	1k0	CF 5% 0603	0 S 47	55.15.1005	1 pce	1'a	TASTE, IMPULS
0 R 220	57.60.1121	1 pce	120R	MF, 1%, 0204, E24	0 S 59	55.12.1304	1 pce	N=18	Encoder
0 R 221	57.60.1270	1 pce	27R	MF, 1%, 0204, E24	0 S 60	55.12.1304	1 pce	N=18	Encoder
0 R 222	57.60.1121	1 pce	120R	MF, 1%, 0204, E24	0 S 65	55.15.1005	1 pce	1'a	TASTE, IMPULS
0 R 223	57.60.1270	1 pce	27R	MF, 1%, 0204, E24	0 W 1	1.023.115.05	1 pce		FLACHKABEL 50 POL 0,07 M
0 R 224	57.60.1680	1 pce	68R	MF, 1%, 0204, E24	0 W 2	1.949.125.93	1 pce		LL Center Frontboard
0 R 225	57.60.1680	1 pce	68R	MF, 1%, 0204, E24	0 W 3	1.949.834.93	1 pce		LL MASTER FRONT
0 R 226	57.60.1680	1 pce	68R	MF, 1%, 0204, E24	0 XDL 9	53.60.0110	1 pce	10p	DIL 0.3", SMD
0 R 227	57.60.1680	1 pce	68R	MF, 1%, 0204, E24	0 XDL 18	53.60.0110	1 pce	10p	DIL 0.3", SMD
0 R 228	57.60.1121	1 pce	120R	MF, 1%, 0204, E24	0 XIC 1	53.03.0187	2 pcs	14p	DIL 0.3", löt, H=6
0 R 229	57.60.1331	1 pce	330R	MF, 1%, 0204, E24	0 XIC 2	53.03.0187	2 pcs	14p	DIL 0.3", löt, H=6
0 R 230	57.60.1121	1 pce	120R	MF, 1%, 0204, E24	0 XIC 3	53.03.0187	2 pcs	14p	DIL 0.3", löt, H=6
0 R 231	57.60.1471	1 pce	470R	MF, 1%, 0204, E24	0 Y 1	89.60.1011	1 pce	6.000MHz	SMD Quartz
0 R 232	57.60.1271	1 pce	270R	MF, 1%, 0204, E24					
0 R 233	57.60.1271	1 pce	270R	MF, 1%, 0204, E24					
0 R 234	57.60.1271	1 pce	270R	MF, 1%, 0204, E24					
0 R 235	57.60.1271	1 pce	270R	MF, 1%, 0204, E24					
0 R 236	57.60.1271	1 pce	270R	MF, 1%, 0204, E24					
0 R 237	57.60.1271	1 pce	270R	MF, 1%, 0204, E24					
0 R 238	57.60.1271	1 pce	270R	MF, 1%, 0204, E24					
0 R 239	57.60.1270	1 pce	27R	MF, 1%, 0204, E24					
0 R 240	57.60.1680	1 pce	68R	MF, 1%, 0204, E24					
0 R 241	57.60.1270	1 pce	27R	MF, 1%, 0204, E24					
0 R 242	57.60.1680	1 pce	68R	MF, 1%, 0204, E24					
0 R 243	57.60.1270	1 pce	27R	MF, 1%, 0204, E24					
0 R 244	57.60.1680	1 pce	68R	MF, 1%, 0204, E24					
0 R 245	57.69.1073	1 pce	1k0	CF 5% 0603					
0 R 246	57.69.1073	1 pce	1k0	CF 5% 0603					
0 R 247	57.69.1073	1 pce	1k0	CF 5% 0603					
0 R 248	57.69.1073	1 pce	1k0	CF 5% 0603					
0 R 249	57.69.1073	1 pce	1k0	CF 5% 0603					
0 R 250	57.69.1073	1 pce	1k0	CF 5% 0603					
0 R 251	57.69.1073	1 pce	1k0	CF 5% 0603					
0 R 252	57.69.1073	1 pce	1k0	CF 5% 0603					
0 R 253	57.69.1073	1 pce	1k0	CF 5% 0603					
0 R 254	57.69.1073	1 pce	1k0	CF 5% 0603					
0 R 255	57.69.1073	1 pce	1k0	CF 5% 0603					
0 R 256	57.69.1121	1 pce	100k	CF 5% 0603					
0 R 257	57.69.1097	1 pce	10k	CF 5% 0603					
0 R 258	57.69.1121	1 pce	100k	CF 5% 0603					
0 R 259	57.69.1097	1 pce	10k	CF 5% 0603					
0 R 260	57.60.1270	1 pce	27R	MF, 1%, 0204, E24					
0 R 261	57.60.1680	1 pce	68R	MF, 1%, 0204, E24					
0 R 262	57.60.1680	1 pce	68R	MF, 1%, 0204, E24					
0 R 263	57.60.1270	1 pce	27R	MF, 1%, 0204, E24					
0 R 264	57.60.1121	1 pce	120R	MF, 1%, 0204, E24					
0 R 265	57.60.1121	1 pce	120R	MF, 1%, 0204, E24					
0 R 266	57.60.1270	1 pce	27R	MF, 1%, 0204, E24					
0 R 267	57.60.1270	1 pce	27R	MF, 1%, 0204, E24					
0 R 268	57.60.1680	1 pce	68R	MF, 1%, 0204, E24					
0 R 269	57.60.1270	1 pce	27R	MF, 1%, 0204, E24					
0 R 270	57.60.1270	1 pce	27R	MF, 1%, 0204, E24					
0 R 271	57.60.1270	1 pce	27R	MF, 1%, 0204, E24					
0 R 272	57.60.1680	1 pce	68R	MF, 1%, 0204, E24					
0 R 273	57.60.1270	1 pce	27R	MF, 1%, 0204, E24					
0 R 274	57.60.1270	1 pce	27R	MF, 1%, 0204, E24					
0 R 275	57.60.1270	1 pce	27R	MF, 1%, 0204, E24					
0 R 276	57.60.1270	1 pce	27R	MF, 1%, 0204, E24					
0 R 277	57.60.1220	1 pce	22R	MF, 1%, 0204, E24					
0 R 278	57.60.1220	1 pce	22R	MF, 1%, 0204, E24					
0 R 279	57.60.1220	1 pce	22R	MF, 1%, 0204, E24					
0 R 280	57.60.1220	1 pce	22R	MF, 1%, 0204, E24					

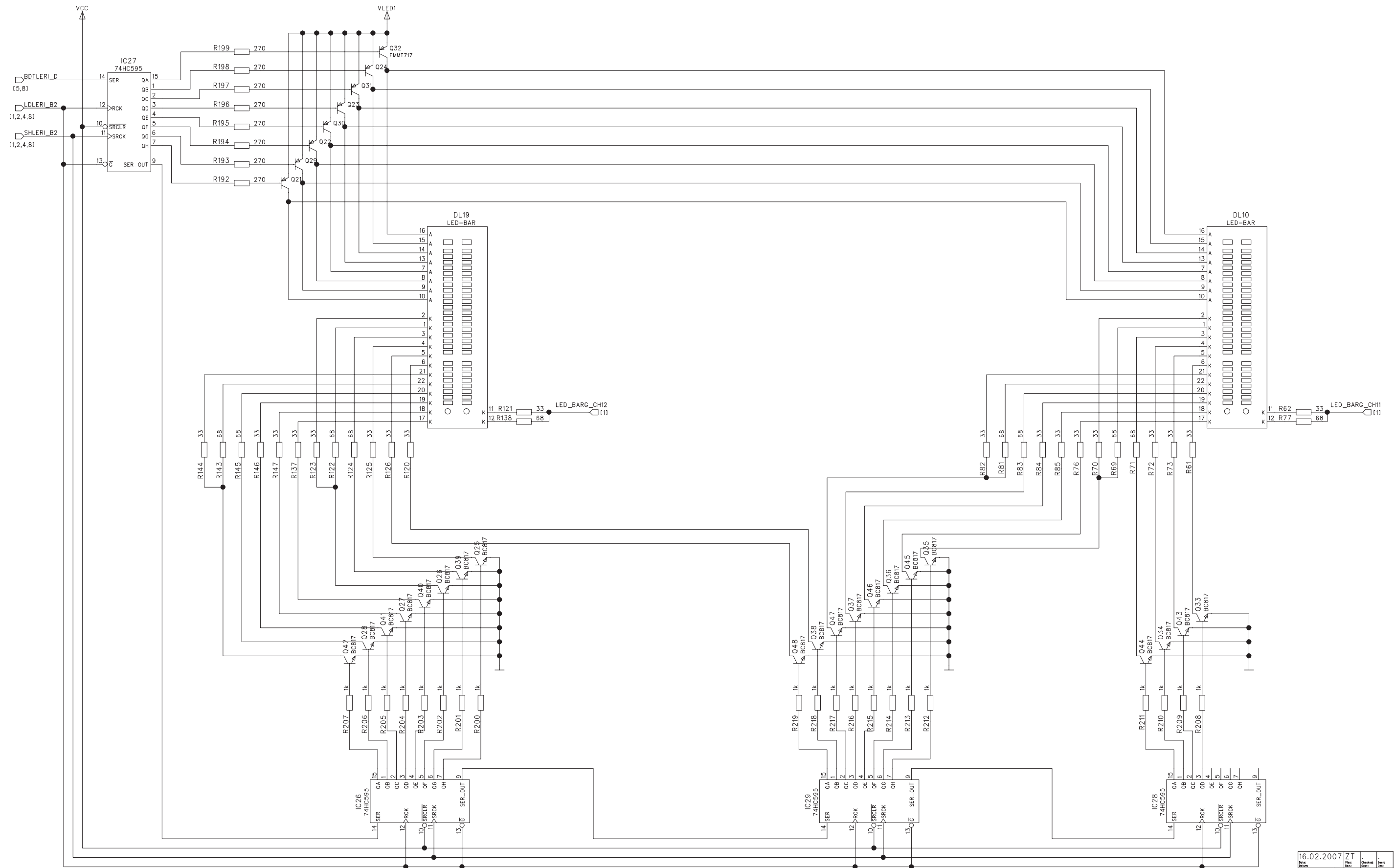
End of List

Comments:

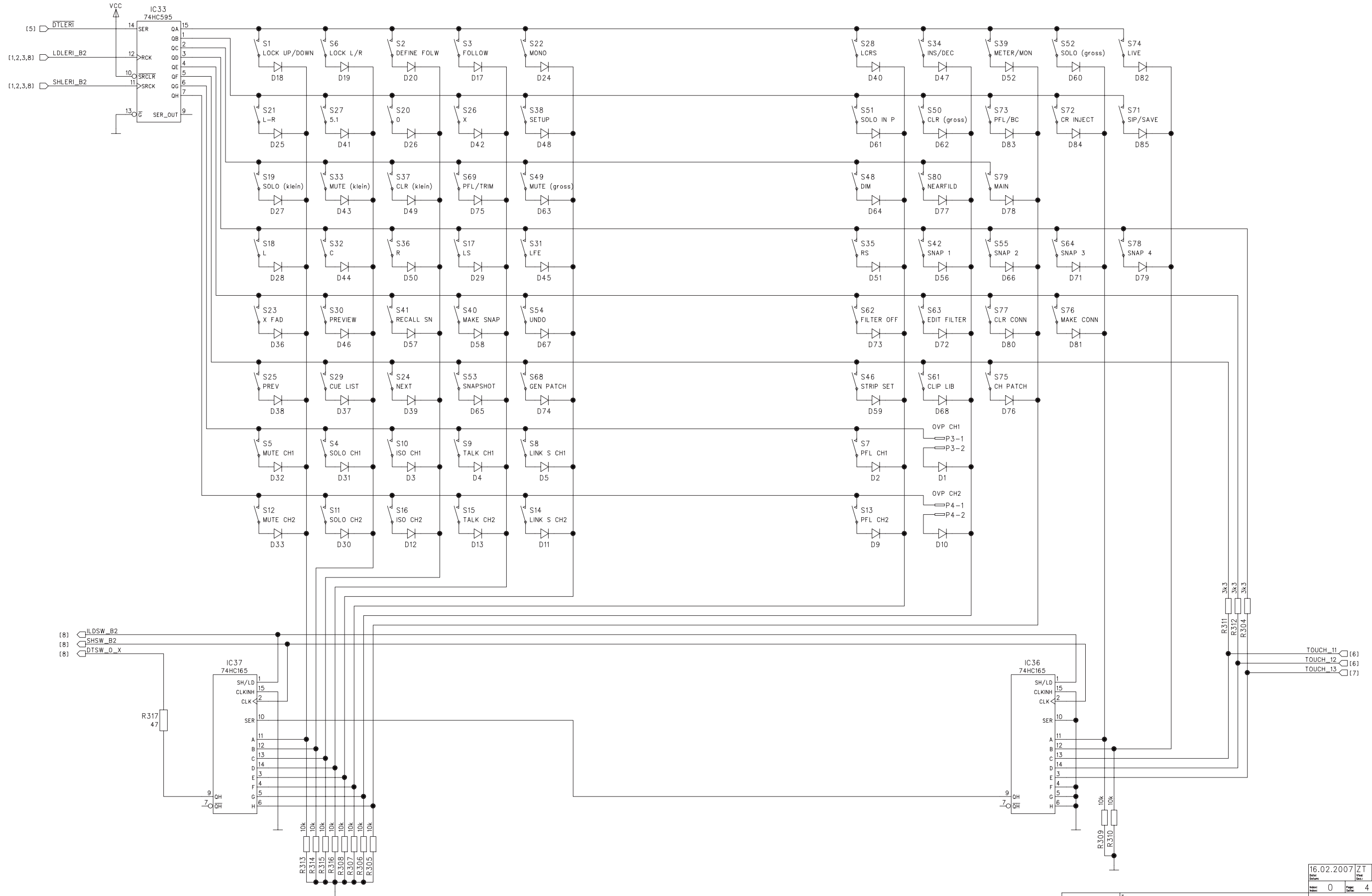


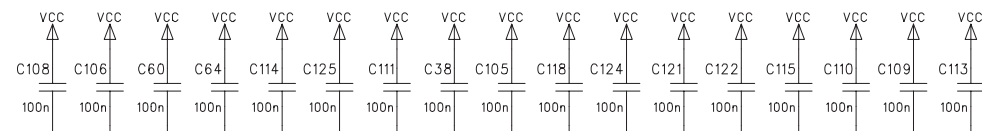
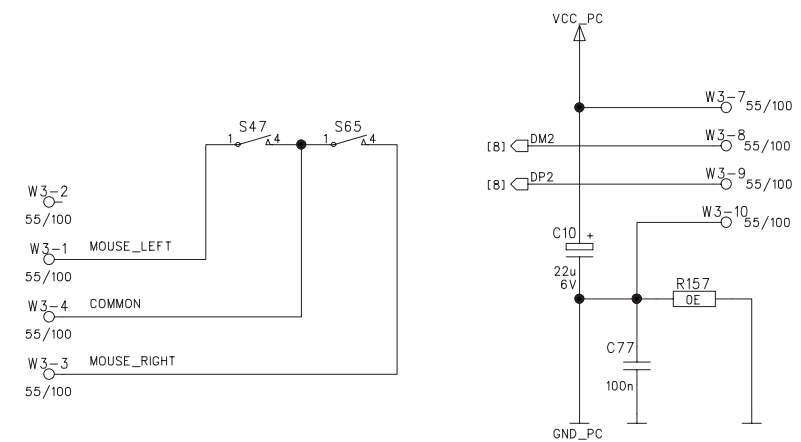
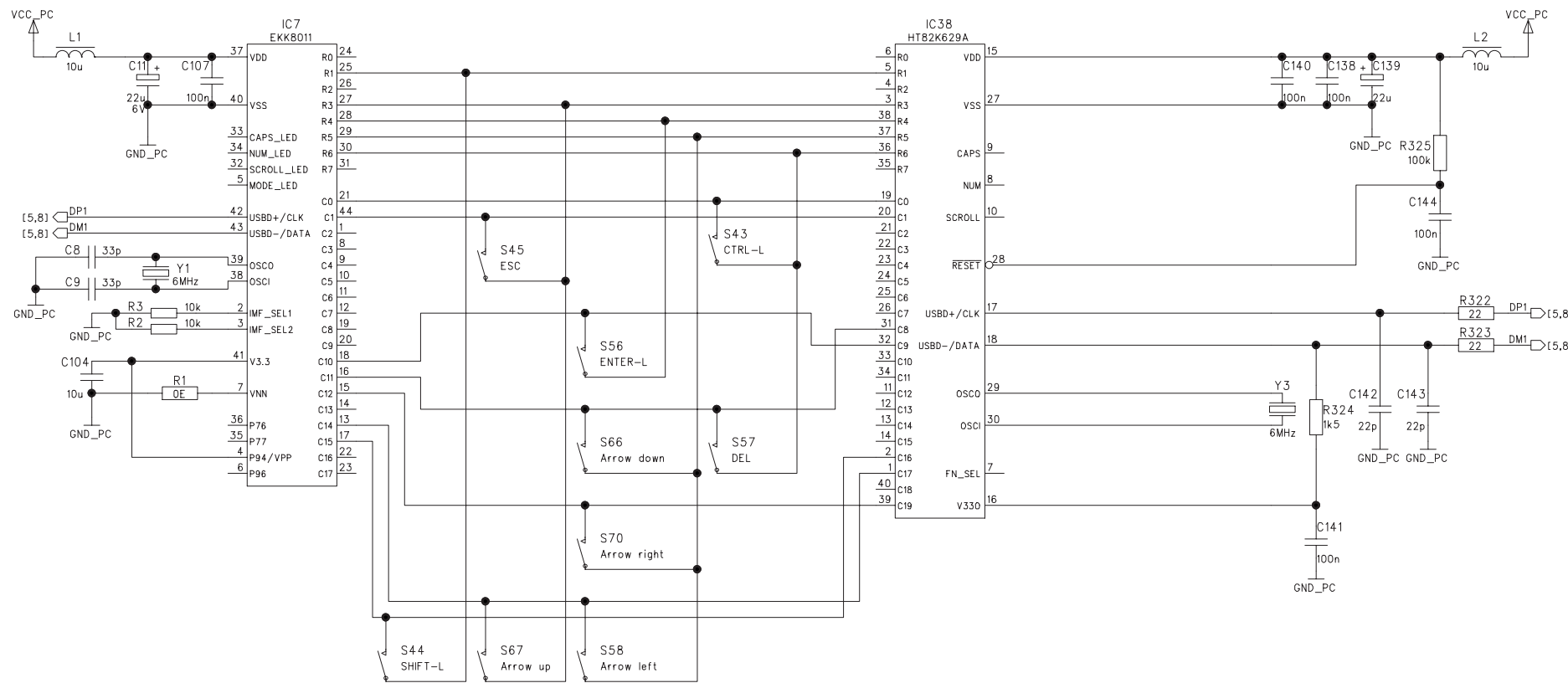
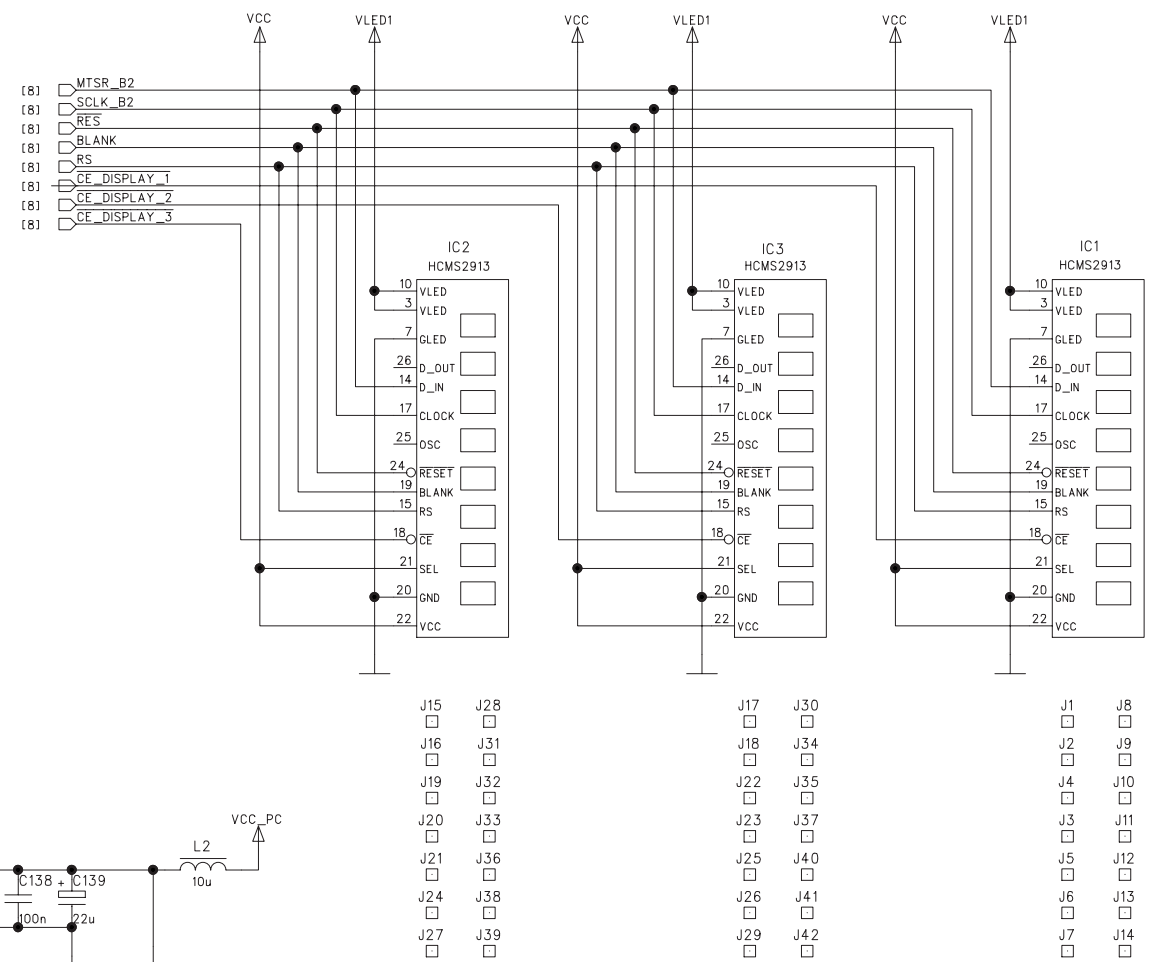
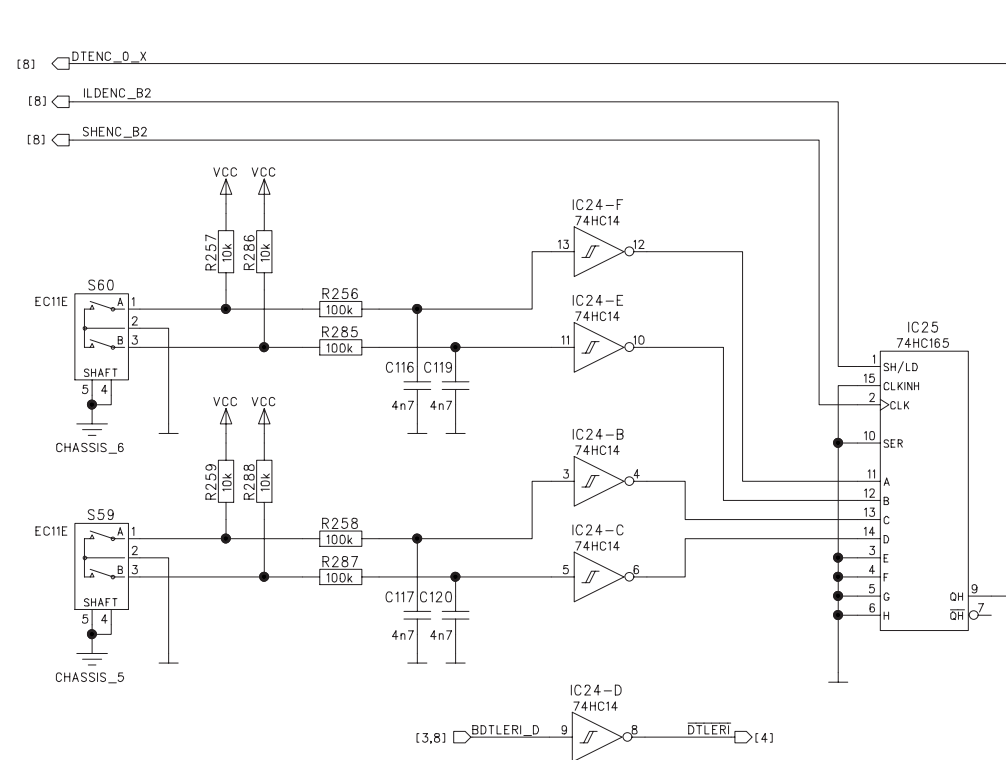


Date:	16.02.2007	ZT	.	.
Index:	0	Page:	2 / 8	
1.949.834.81				

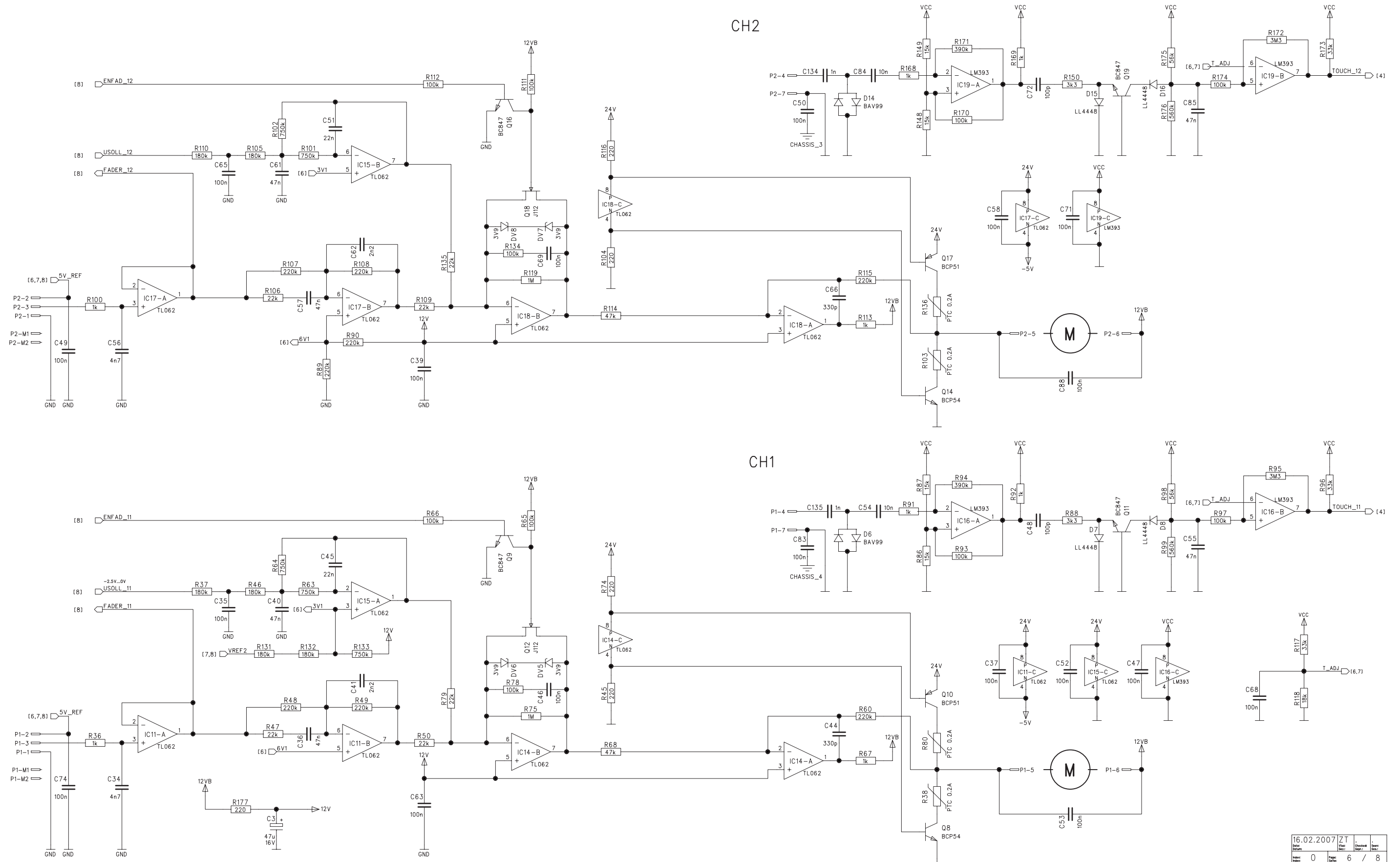


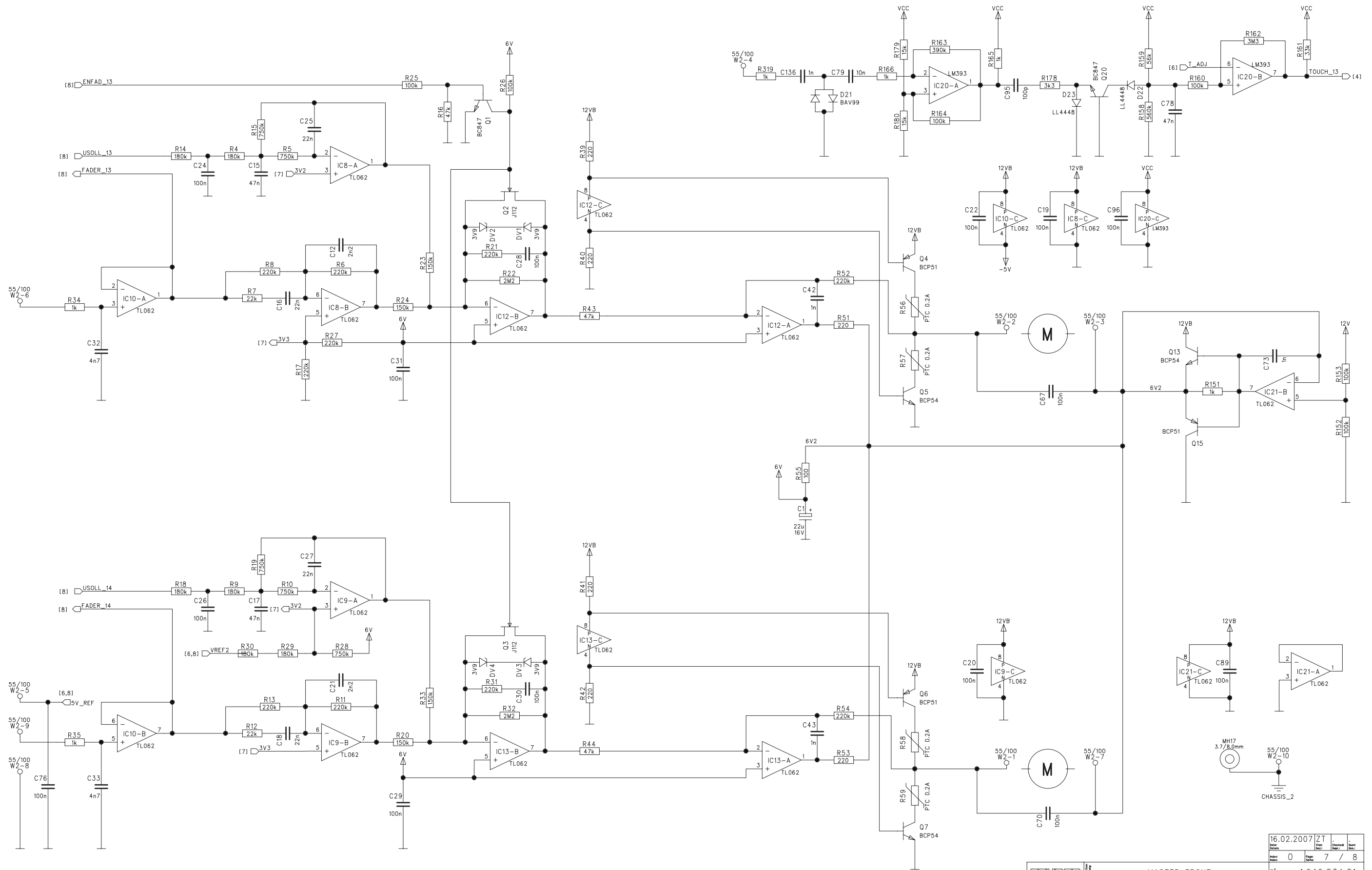
Master Front PCB 1.949.834.81 (0)





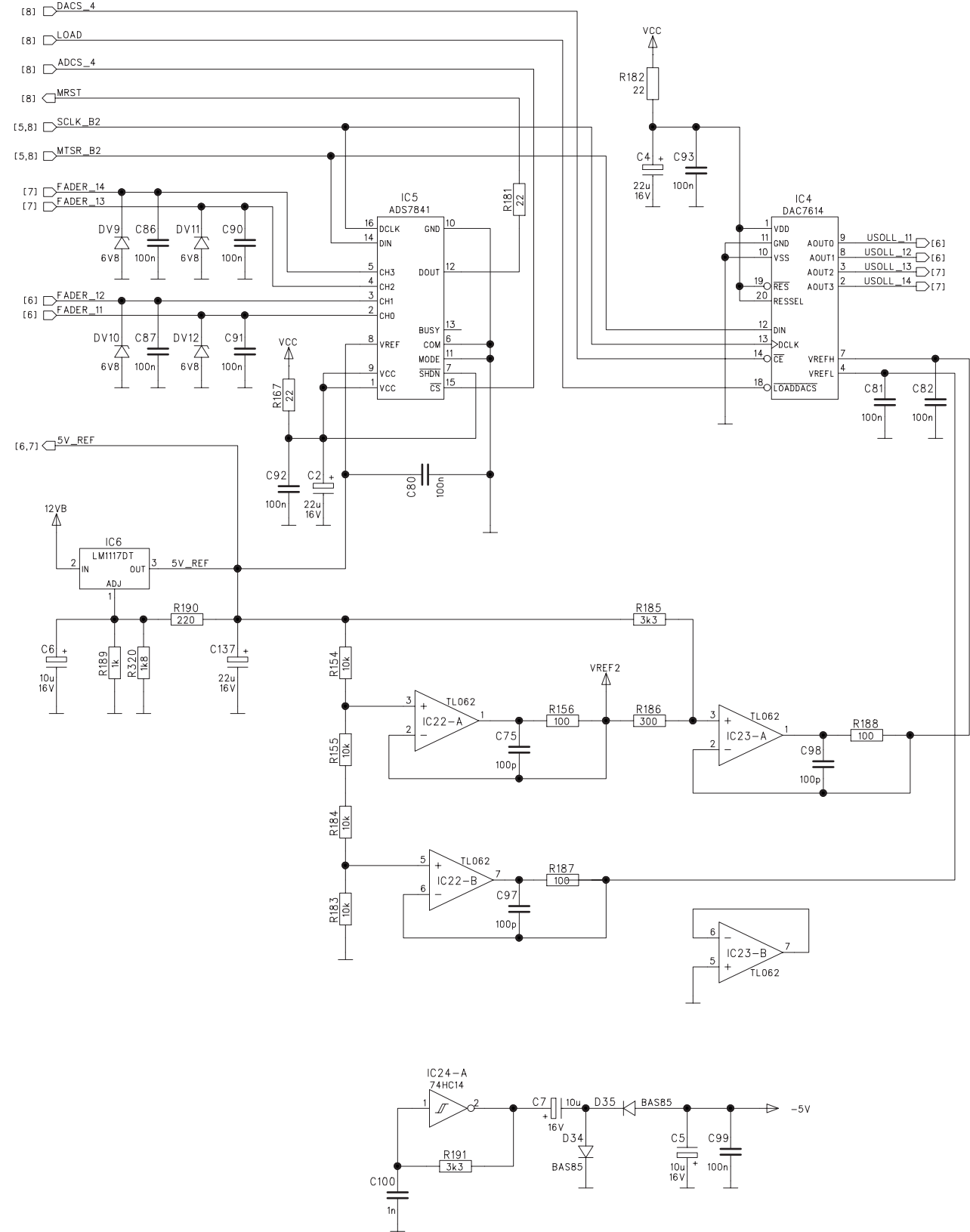
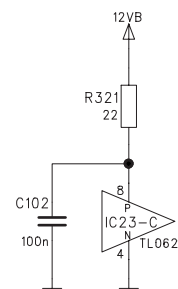
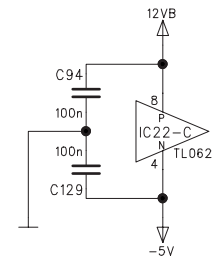
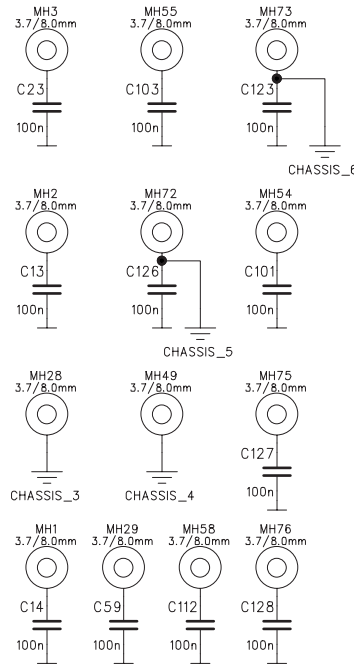
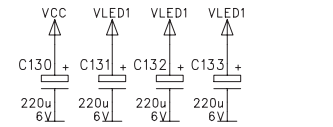
Master Front PCB 1.949.834.81 (0)





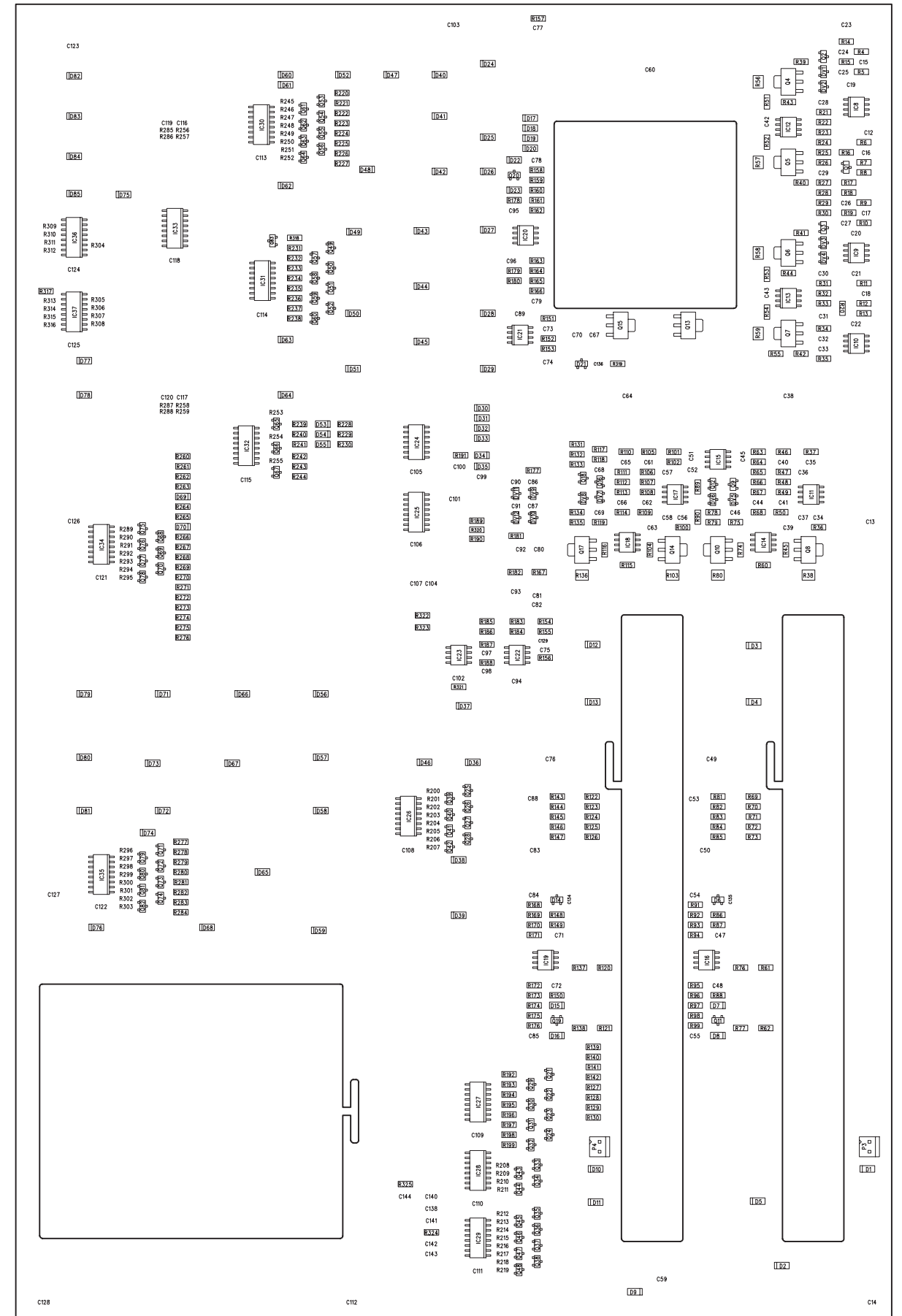
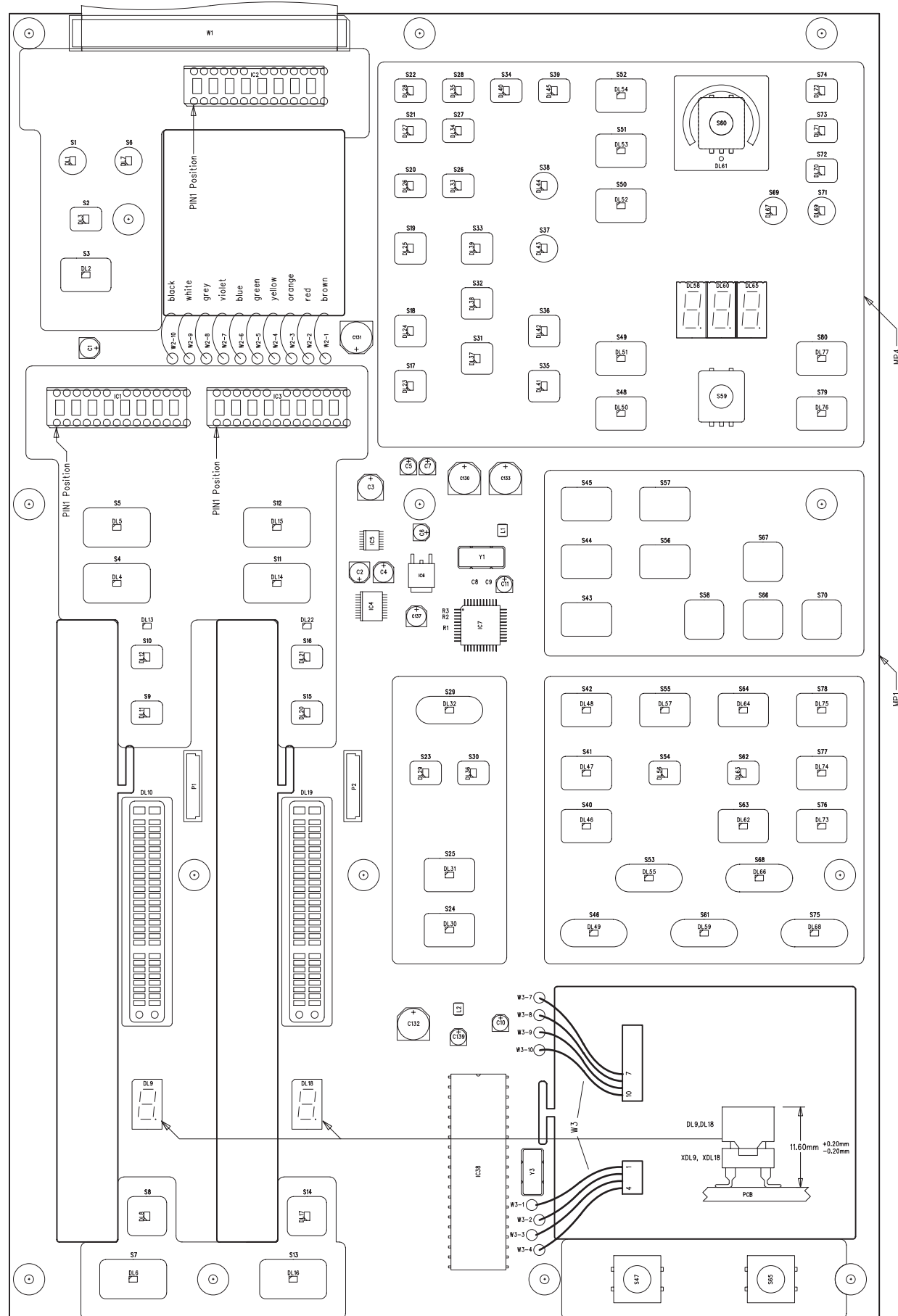
Date:	16.02.2007	ZT		
Drawn:	0	Page:	7 / 8	
Checked:		Sheet:		
Released:		Part:		

- W1-1 → VCC_PC {5,8}
- W1-2 → VCC_PC {5,8}
- W1-3 → VCC_PC {5,8}
- W1-4 → DP2 {5}
- W1-5 → DM2 {5}
- W1-6 → GND_PC {5,8}
- W1-7 → GND_PC {5,8}
- W1-8 → DP1 {5}
- W1-9 → DM1 {5}
- W1-10 → 24V {6,8}
- W1-11 → 24V {6,8}
- W1-12 → GND {1,2,3,4,5,6,7,8}
- W1-13 → GND {1,2,3,4,5,6,7,8}
- W1-14 → VCC {1,2,3,4,5,6,7,8}
- W1-15 → VCC {1,2,3,4,5,6,7,8}
- W1-16 → ILDSW_B2 {4}
- W1-17 → SHSW_B2 {4}
- W1-18 → LDLERI_B2 {1,2,3,4}
- W1-19 → SHLERI_B2 {1,2,3,4}
- W1-20 → DTENC_O_X {5}
- W1-21 → SHENC_B2 {5}
- W1-22 → ILDENC_B2 {5}
- W1-23 → DTSW_O_X {4}
- W1-24 → VLED1 {1,3,5,8}
- W1-25 → VLED1 {1,3,5,8}
- W1-26 → GND {1,2,3,4,5,6,7,8}
- W1-27 → MTSR_B2 {5,8}
- W1-28 → GND {1,2,3,4,5,6,7,8}
- W1-29 → MRST {8}
- W1-30 → RES {5}
- W1-31 → SCLK_B2 {5,8}
- W1-32 → BLANK {5}
- W1-33 → RS {5}
- W1-34 → VLED1 {1,3,5,8}
- W1-35 → VLED1 {1,3,5,8}
- W1-36 → BDTLERI_D {3,5}
- W1-37 → BDTLERI_0 {1}
- W1-38 → LOAD {8}
- W1-39 → ADCS_4 {8}
- W1-40 → DACS_4 {8}
- W1-41 → ENFAD_11 {6}
- W1-42 → ENFAD_12 {6}
- W1-43 → ENFAD_13 {6}
- W1-44 → CE_DISPLAY_1 {5}
- W1-45 → CE_DISPLAY_2 {5}
- W1-46 → CE_DISPLAY_3 {5}
- W1-47 → GND {1,2,3,4,5,6,7,8}
- W1-48 → GND {1,2,3,4,5,6,7,8}
- W1-49 → 12VB {6,7,8}
- W1-50 → 12VB {6,7,8}



16.02.2007	ZT	.	.
0	8	8	8

Master Front PCB 1.949.834.81 (0)



Master Front PCB 1.949.834.81 (0)

Idx. Pos.	Part No.	Qty.	Type/Val.	Description	Idx. Pos.	Part No.	Qty.	Type/Val.	Description
0 D 62	50.60.8001	1 pce	4448	200mA 75V 4ns SOD 80	0 DV 3	50.60.9007	1 pce	3V9	5%, 0.2W, SOT 23
0 D 63	50.60.8001	1 pce	4448	200mA 75V 4ns SOD 80	0 DV 4	50.60.9007	1 pce	3V9	5%, 0.2W, SOT 23
0 D 64	50.60.8001	1 pce	4448	200mA 75V 4ns SOD 80	0 DV 5	50.60.9007	1 pce	3V9	5%, 0.2W, SOT 23
0 D 65	50.60.8001	1 pce	4448	200mA 75V 4ns SOD 80	0 DV 6	50.60.9007	1 pce	3V9	5%, 0.2W, SOT 23
0 D 66	50.60.8001	1 pce	4448	200mA 75V 4ns SOD 80	0 DV 7	50.60.9007	1 pce	3V9	5%, 0.2W, SOT 23
0 D 67	50.60.8001	1 pce	4448	200mA 75V 4ns SOD 80	0 DV 8	50.60.9007	1 pce	3V9	5%, 0.2W, SOT 23
0 D 68	50.60.8001	1 pce	4448	200mA 75V 4ns SOD 80	0 DV 9	50.60.9013	1 pce	6V8	5%, 0.2W, SOT 23
0 D 69	50.60.8101	1 pce	BAS85	200mA 30V Schottky SOD 80	0 DV 10	50.60.9013	1 pce	6V8	5%, 0.2W, SOT 23
0 D 70	50.60.8101	1 pce	BAS85	200mA 30V Schottky SOD 80	0 DV 11	50.60.9013	1 pce	6V8	5%, 0.2W, SOT 23
0 D 71	50.60.8001	1 pce	4448	200mA 75V 4ns SOD 80	0 DV 12	50.60.9013	1 pce	6V8	5%, 0.2W, SOT 23
0 D 72	50.60.8001	1 pce	4448	200mA 75V 4ns SOD 80	0 IC 1	73.01.0409	1 pce	8character	5*7 Dot matrix display green
0 D 73	50.60.8001	1 pce	4448	200mA 75V 4ns SOD 80	0 IC 2	73.01.0409	1 pce	8character	5*7 Dot matrix display green
0 D 74	50.60.8001	1 pce	4448	200mA 75V 4ns SOD 80	0 IC 3	73.01.0409	1 pce	8character	5*7 Dot matrix display green
0 D 75	50.60.8001	1 pce	4448	200mA 75V 4ns SOD 80	0 IC 4	50.61.8006	1 pce	DAC7614	4*D/A Converter 12bit SO 20
0 D 76	50.60.8001	1 pce	4448	200mA 75V 4ns SOD 80	0 IC 5	50.61.8106	1 pce	ADS7841	4*A/D Converter 12bit SO 16
0 D 77	50.60.8001	1 pce	4448	200mA 75V 4ns SOD 80	0 IC 6	50.61.2003	1 pce	LM1117	Lin Reg 800mA adj
0 D 78	50.60.8001	1 pce	4448	200mA 75V 4ns SOD 80	0 IC 7	not used	1 pce	eK801B	Keyboard encoder PS2/USB
0 D 79	50.60.8001	1 pce	4448	200mA 75V 4ns SOD 80	0 IC 8	50.61.0201	1 pce	TL062	Dual FET Op-Amp
0 D 80	50.60.8001	1 pce	4448	200mA 75V 4ns SOD 80	0 IC 9	50.61.0201	1 pce	TL062	Dual FET Op-Amp
0 D 81	50.60.8001	1 pce	4448	200mA 75V 4ns SOD 80	0 IC 10	50.61.0201	1 pce	TL062	Dual FET Op-Amp
0 D 82	50.60.8001	1 pce	4448	200mA 75V 4ns SOD 80	0 IC 11	50.61.0201	1 pce	TL062	Dual FET Op-Amp
0 D 83	50.60.8001	1 pce	4448	200mA 75V 4ns SOD 80	0 IC 12	50.61.0201	1 pce	TL062	Dual FET Op-Amp
0 D 84	50.60.8001	1 pce	4448	200mA 75V 4ns SOD 80	0 IC 13	50.61.0201	1 pce	TL062	Dual FET Op-Amp
0 D 85	50.60.8001	1 pce	4448	200mA 75V 4ns SOD 80	0 IC 14	50.61.0201	1 pce	TL062	Dual FET Op-Amp
0 DL 1	50.60.9402	1 pce	yel	SMD LED yellow	0 IC 15	50.61.0201	1 pce	TL062	Dual FET Op-Amp
0 DL 2	50.60.9402	1 pce	yel	SMD LED yellow	0 IC 16	50.61.9001	1 pce	LM393	Dual voltage comp. SO 8
0 DL 3	50.60.9402	1 pce	yel	SMD LED yellow	0 IC 17	50.61.0201	1 pce	TL062	Dual FET Op-Amp
0 DL 4	50.60.9402	1 pce	yel	SMD LED yellow	0 IC 18	50.61.0201	1 pce	TL062	Dual FET Op-Amp
0 DL 5	50.60.9401	1 pce	red	SMD LED superred	0 IC 19	50.61.9001	1 pce	LM393	Dual voltage comp. SO 8
0 DL 6	50.60.9417	1 pce	gm	SMD LED 1.25*2.0	0 IC 20	50.61.9001	1 pce	LM393	Dual voltage comp. SO 8
0 DL 7	50.60.9402	1 pce	yel	SMD LED yellow	0 IC 21	50.61.0201	1 pce	TL062	Dual FET Op-Amp
0 DL 8	50.60.9418	1 pce	blu	SMD LED 1.25*2.0	0 IC 22	50.61.0201	1 pce	TL062	Dual FET Op-Amp
0 DL 9	73.01.0134	1 pce	7-SEG	LED STEREO BARGRAPH	0 IC 23	50.61.0201	1 pce	TL062	Dual FET Op-Amp
0 DL 10	50.04.2818	1 pce	red/yel/grn	LED STEREO BARGRAPH	0 IC 24	50.62.1014	1 pce	74HC 14	Hex Schmitt trigger inverter
0 DL 11	50.60.9401	1 pce	red	SMD LED superred	0 IC 25	50.62.1165	1 pce	74HC165	8bit shift register
0 DL 12	50.60.9402	1 pce	yel	SMD LED yellow	0 IC 26	50.62.1595	1 pce	74HC595	8bit shift/output register
0 DL 13	50.60.9401	1 pce	red	SMD LED superred	0 IC 27	50.62.1595	1 pce	74HC595	8bit shift/output register
0 DL 14	50.60.9402	1 pce	yel	SMD LED yellow	0 IC 28	50.62.1595	1 pce	74HC595	8bit shift/output register
0 DL 15	50.60.9401	1 pce	red	SMD LED superred	0 IC 29	50.62.1595	1 pce	74HC595	8bit shift/output register
0 DL 16	50.60.9417	1 pce	gm	SMD LED 1.25*2.0	0 IC 30	50.62.1595	1 pce	74HC595	8bit shift/output register
0 DL 17	50.60.9418	1 pce	blu	SMD LED 1.25*2.0	0 IC 31	50.62.1595	1 pce	74HC595	8bit shift/output register
0 DL 18	73.01.0134	1 pce	7-SEG	LED STEREO BARGRAPH	0 IC 32	50.62.1595	1 pce	74HC595	8bit shift/output register
0 DL 19	50.04.2818	1 pce	red/yel/grn	LED STEREO BARGRAPH	0 IC 33	50.62.1595	1 pce	74HC595	8bit shift/output register
0 DL 20	50.60.9401	1 pce	red	SMD LED superred	0 IC 34	50.62.1595	1 pce	74HC595	8bit shift/output register
0 DL 21	50.60.9402	1 pce	yel	SMD LED yellow	0 IC 35	50.62.1595	1 pce	74HC595	8bit shift/output register
0 DL 22	50.60.9401	1 pce	red	SMD LED superred	0 IC 36	50.62.1165	1 pce	74HC165	8bit shift register
0 DL 23	50.60.9402	1 pce	yel	SMD LED yellow	0 IC 37	50.62.1165	1 pce	74HC165	8bit shift register
0 DL 24	50.60.9402	1 pce	yel	SMD LED yellow	0 IC 38	50.16.0156	1 pce	82K629A	Keyboard encoder
0 DL 25	50.60.9402	1 pce	yel	SMD LED yellow	0 L 1	not used	1 pce	10uH	SMD 10% 1210
0 DL 26	50.60.9402	1 pce	yel	SMD LED yellow	0 L 2	62.60.0113	1 pce	10uH	SMD 10% 1210
0 DL 27	50.60.9402	1 pce	yel	SMD LED yellow	0 MP 1	1.949.834.13	1 pce		MASTER FRONT PCB
0 DL 28	50.60.9402	1 pce	yel	SMD LED yellow	0 MP 2	1.949.834.10	1 pce		Nr. ETIKETTE 5x20
0 DL 29	50.60.9402	1 pce	yel	SMD LED yellow	0 MP 3	43.01.0108	1 pce	Label	ESE-Warnschild
0 DL 30	50.60.9402	1 pce	yel	SMD LED yellow	0 MP 4	1.949.834.01	1 pce		RUBBER SET
0 DL 31	50.60.9402	1 pce	yel	SMD LED yellow	0 P 1	54.60.0407	1 pce	7p	SMD Stecker male
0 DL 32	50.60.9402	1 pce	yel	SMD LED yellow	0 P 2	54.60.0407	1 pce	7p	SMD Stecker male
0 DL 33	50.60.9402	1 pce	yel	SMD LED yellow	0 P 3	54.12.0702	1 pce	2p	Stecker gerade PCB
0 DL 34	50.60.9402	1 pce	yel	SMD LED yellow	0 P 4	54.12.0702	1 pce	2p	Stecker gerade PCB
0 DL 35	50.60.9402	1 pce	yel	SMD LED yellow	0 Q 1	50.60.0001	1 pce	BC847B	NPN 45V 100mA SOT 23
0 DL 36	50.60.9402	1 pce	yel	SMD LED yellow	0 Q 2	50.60.2001	1 pce	J112	JFET N-Channel
0 DL 37	50.60.9402	1 pce	yel	SMD LED yellow	0 Q 3	50.60.2001	1 pce	J112	JFET N-Channel
0 DL 38	50.60.9402	1 pce	yel	SMD LED yellow	0 Q 4	50.60.1120	1 pce	BCP51-16	PNP 45V 1.0A SOT 223
0 DL 39	50.60.9401	1 pce	red	SMD LED superred	0 Q 5	50.60.0120	1 pce	BCP54-16	NPN 45V 1.0A SOT 223
0 DL 40	50.60.9402	1 pce	yel	SMD LED yellow	0 Q 6	50.60.1120	1 pce	BCP51-16	PNP 45V 1.0A SOT 223
0 DL 41	50.60.9402	1 pce	yel	SMD LED yellow	0 Q 7	50.60.0120	1 pce	BCP54-16	NPN 45V 1.0A SOT 223
0 DL 42	50.60.9402	1 pce	yel	SMD LED yellow	0 Q 8	50.60.0120	1 pce	BCP54-16	NPN 45V 1.0A SOT 223
0 DL 43	50.60.9401	1 pce	red	SMD LED superred	0 Q 9	50.60.0001	1 pce	BC847B	NPN 45V 100mA SOT 23
0 DL 44	50.60.9402	1 pce	yel	SMD LED yellow	0 Q 10	50.60.1120	1 pce	BCP51-16	PNP 45V 1.0A SOT 223
0 DL 45	50.60.9402	1 pce	yel	SMD LED yellow	0 Q 11	50.60.0001	1 pce	BC847B	NPN 45V 100mA SOT 23
0 DL 46	50.60.9402	1 pce	yel	SMD LED yellow	0 Q 12	50.60.2001	1 pce	J112	JFET N-Channel
0 DL 47	50.60.9402	1 pce	yel	SMD LED yellow	0 Q 13	50.60.0120	1 pce	BCP54-16	NPN 45V 1.0A SOT 223
0 DL 48	50.60.9402	1 pce	yel	SMD LED yellow	0 Q 14	50.60.0120	1 pce	BCP54-16	NPN 45V 1.0A SOT 223
0 DL 49	50.60.9402	1 pce	yel	SMD LED yellow	0 Q 15	50.60.1120	1 pce	BCP51-16	PNP 45V 1.0A SOT 223
0 DL 50	50.60.9401	1 pce	red	SMD LED superred	0 Q 16	50.60.0001	1 pce	BC847B	NPN 45V 100mA SOT 23
0 DL 51	50.60.9401	1 pce	red	SMD LED superred	0 Q 17	50.60.1120	1 pce	BCP51-16	PNP 45V 1.0A SOT 223
0 DL 52	50.60.9402	1 pce	yel	SMD LED yellow	0 Q 18	50.60.2001	1 pce	J112	JFET N-Channel
0 DL 53	50.60.9401	1 pce	red	SMD LED superred	0 Q 19	50.60.0001	1 pce	BC847B	NPN 45V 100mA SOT 23
0 DL 54	50.60.9402	1 pce	yel	SMD LED yellow	0 Q 20	50.60.0001	1 pce	BC847B	NPN 45V 100mA SOT 23
0 DL 55	50.60.9402	1 pce	yel	SMD LED yellow	0 Q 21	50.60.1101	1 pce	FM7T17	PNP 12V 1.5A SOT 23
0 DL 56	50.60.9402	1 pce	yel	SMD LED yellow	0 Q 22	50.60.1101	1 pce	FM7T17	PNP 12V 1.5A SOT 23
0 DL 57	50.60.9402	1 pce	yel	SMD LED yellow	0 Q 23	50.60.1101	1 pce	FM7T17	PNP 12V 1.5A SOT 23
0 DL 58	73.01.0137	1 pce	7-SEG	7-Segm.Anzeige LED gn 9.1mm	0 Q 24	50.60.1101	1 pce	FM7T17	PNP 12V 1.5A SOT 23
0 DL 59	50.60.9402	1 pce	yel	SMD LED yellow	0 Q 25	50.60.0050	1 pce	BC817-25	NPN 45V 800mA SOT 23
0 DL 60	73.01.0137	1 pce	7-SEG	7-Segm.Anzeige LED gn 9.1mm	0 Q 26	50.60.0050	1 pce	BC817-25	NPN 45V 800mA SOT 23
0 DL 61	50.04.2860	1 pce	gm/red	LED Ring	0 Q 27	50.60.0050	1 pce	BC817-25	NPN 45V 800mA SOT 23
0 DL 62	50.60.9401	1 pce	red	SMD LED superred	0 Q 28	50.60.0050	1 pce	BC817-25	NPN 45V 800mA SOT 23
0 DL 63	50.60.9401	1 pce	red	SMD LED superred	0 Q 29	50.60.1101	1 pce	FM7T17	PNP 12V 1.5A SOT 23
0 DL 64	50.60.9402	1 pce	yel	SMD LED yellow	0 Q 30	50.60.1101	1 pce	FM7T17	PNP 12V 1.5A SOT 23
0 DL 65	73.01.0137	1 pce	7-SEG	7-Segm.Anzeige LED gn 9.1mm	0 Q 31	50.60.1101	1 pce	FM7T17	PNP 12V 1.5A SOT 23
0 DL 66	50.60.9402	1 pce	yel	SMD LED yellow	0 Q 32	50.60.1101	1 pce	FM7T17	PNP 12V 1.5A SOT 23
0 DL 67	50.60.9402	1 pce	yel	SMD LED yellow	0 Q 33	50.60.0050	1 pce	BC817-25	NPN 45V 800mA SOT 23
0 DL 68	50.60.9402	1 pce	yel	SMD LED yellow	0 Q 34	50.60.0050	1 pce	BC817-25	NPN 45V 800mA SOT 23
0 DL 69	50.60.9401	1 pce	red	SMD LED superred	0 Q 35	50.60.0050	1 pce	BC817-25	NPN 45V 800mA SOT 23
0 DL 70	50.60.9402	1 pce	yel	SMD LED yellow	0 Q 36	50.60.0050	1 pce	BC817-25	NPN 45V 800mA SOT 23
0 DL 71	50.60.9417	1 pce	gm	SMD LED 1.25*2.0	0 Q 37	50.60.0050	1 pce	BC817-25	NPN 45V 800mA SOT 23
0 DL 72	50.60.9401	1 pce	red	SMD LED superred	0 Q 38	50.60.0050	1 pce	BC817-25	NPN 45V 800mA SOT 23
0 DL 73	50.60.9402	1 pce	yel	SMD LED yellow	0 Q 39	50.60.0050	1 pce	BC817-25	NPN 45V 800mA SOT 23
0 DL 74	50.60.9402	1 pce	yel	SMD LED yellow	0 Q 40	50.60.0050	1 pce	BC817-25	NPN 45V 800mA SOT 23
0 DL 75	50.60.9402	1 pce	yel	SMD LED yellow	0 Q 41	50.60.0050	1 pce	BC817-25	NPN 45V 800mA SOT 23
0 DL 76	50.60.9402	1 pce	yel	SMD LED yellow	0 Q 42	50.60.0050	1 pce	BC817-25	NPN 45V 800mA SOT 23
0 DL 77	50.60.9402	1 pce	yel	SMD LED yellow	0 Q 43	50.60.0050	1 pce	BC817-25	NPN 45V 800mA SOT 23
0 DV 1	50.60.9007	1 pce	3V9	5%, 0.2W, SOT 23	0 Q 44	50.60.0050	1 pce	BC817-25	NPN 45V 800mA SOT 23
0 DV 2	50.60.9007	1 pce	3V9	5%, 0.2W, SOT 23	0 Q 45	50.60.0050	1 pce	BC817-25	NPN 45V 800mA SOT 23

Master Front PCB 1.949.834.81 (0)

Idx. Pos.	Part No.	Qty.	Type/Val.	Description	Idx. Pos.	Part No.	Qty.	Type/Val.	Description
0 Q 46	50.60.0050	1 pce	BC817-25	NPN 45V 800mA SOT 23	0 R 66	57.60.1104	1 pce	100k	MF, 1%, 0204, E24
0 Q 47	50.60.0050	1 pce	BC817-25	NPN 45V 800mA SOT 23	0 R 67	57.60.1102	1 pce	1k0	MF, 1%, 0204, E24
0 Q 48	50.60.0050	1 pce	BC817-25	NPN 45V 800mA SOT 23	0 R 68	57.60.1473	1 pce	47k	MF, 1%, 0204, E24
0 Q 49	50.60.1101	1 pce	FMMT717	PNP 12V 1.5A SOT 23	0 R 69	57.60.1680	1 pce	68R	MF, 1%, 0204, E24
0 Q 50	50.60.1101	1 pce	FMMT717	PNP 12V 1.5A SOT 23	0 R 70	57.60.1330	1 pce	33R	MF, 1%, 0204, E24
0 Q 51	50.60.1101	1 pce	FMMT717	PNP 12V 1.5A SOT 23	0 R 71	57.60.1680	1 pce	68R	MF, 1%, 0204, E24
0 Q 52	50.60.1101	1 pce	FMMT717	PNP 12V 1.5A SOT 23	0 R 72	57.60.1330	1 pce	33R	MF, 1%, 0204, E24
0 Q 53	50.60.0050	1 pce	BC817-25	NPN 45V 800mA SOT 23	0 R 73	57.60.1330	1 pce	33R	MF, 1%, 0204, E24
0 Q 54	50.60.0050	1 pce	BC817-25	NPN 45V 800mA SOT 23	0 R 74	57.60.1221	1 pce	220R	MF, 1%, 0204, E24
0 Q 55	50.60.0050	1 pce	BC817-25	NPN 45V 800mA SOT 23	0 R 75	57.60.1105	1 pce	1M0	MF, 1%, 0204, E24
0 Q 56	50.60.0050	1 pce	BC817-25	NPN 45V 800mA SOT 23	0 R 76	57.60.1330	1 pce	33R	MF, 1%, 0204, E24
0 Q 57	50.60.1101	1 pce	FMMT717	PNP 12V 1.5A SOT 23	0 R 77	57.60.1680	1 pce	68R	MF, 1%, 0204, E24
0 Q 58	50.60.1101	1 pce	FMMT717	PNP 12V 1.5A SOT 23	0 R 78	57.60.1104	1 pce	100k	MF, 1%, 0204, E24
0 Q 59	50.60.1101	1 pce	FMMT717	PNP 12V 1.5A SOT 23	0 R 79	57.60.1223	1 pce	22k	MF, 1%, 0204, E24
0 Q 60	50.60.1101	1 pce	FMMT717	PNP 12V 1.5A SOT 23	0 R 80	57.69.8302	1 pce	0.2A	PTC
0 Q 61	50.60.0050	1 pce	BC817-25	NPN 45V 800mA SOT 23	0 R 81	57.60.1680	1 pce	68R	MF, 1%, 0204, E24
0 Q 62	50.60.0050	1 pce	BC817-25	NPN 45V 800mA SOT 23	0 R 82	57.60.1330	1 pce	33R	MF, 1%, 0204, E24
0 Q 63	50.60.0050	1 pce	BC817-25	NPN 45V 800mA SOT 23	0 R 83	57.60.1680	1 pce	68R	MF, 1%, 0204, E24
0 Q 64	50.60.0050	1 pce	BC817-25	NPN 45V 800mA SOT 23	0 R 84	57.60.1330	1 pce	33R	MF, 1%, 0204, E24
0 Q 65	50.60.0050	1 pce	BC817-25	NPN 45V 800mA SOT 23	0 R 85	57.60.1330	1 pce	33R	MF, 1%, 0204, E24
0 Q 66	50.60.0050	1 pce	BC817-25	NPN 45V 800mA SOT 23	0 R 86	57.60.1153	1 pce	15k	MF, 1%, 0204, E24
0 Q 67	50.60.0050	1 pce	BC817-25	NPN 45V 800mA SOT 23	0 R 87	57.60.1153	1 pce	15k	MF, 1%, 0204, E24
0 Q 68	50.60.0050	1 pce	BC817-25	NPN 45V 800mA SOT 23	0 R 88	57.60.1332	1 pce	3k3	MF, 1%, 0204, E24
0 Q 69	50.60.0050	1 pce	BC817-25	NPN 45V 800mA SOT 23	0 R 89	57.60.1224	1 pce	220k	MF, 1%, 0204, E24
0 Q 70	50.60.0050	1 pce	BC817-25	NPN 45V 800mA SOT 23	0 R 90	57.60.1224	1 pce	220k	MF, 1%, 0204, E24
0 Q 71	50.60.0050	1 pce	BC817-25	NPN 45V 800mA SOT 23	0 R 91	57.60.1102	1 pce	1k0	MF, 1%, 0204, E24
0 Q 72	50.60.0050	1 pce	BC817-25	NPN 45V 800mA SOT 23	0 R 92	57.60.1102	1 pce	1k0	MF, 1%, 0204, E24
0 Q 73	50.60.0050	1 pce	BC817-25	NPN 45V 800mA SOT 23	0 R 93	57.60.1104	1 pce	100k	MF, 1%, 0204, E24
0 Q 74	50.60.0050	1 pce	BC817-25	NPN 45V 800mA SOT 23	0 R 94	57.60.1394	1 pce	390k	MF, 1%, 0204, E24
0 Q 75	50.60.0050	1 pce	BC817-25	NPN 45V 800mA SOT 23	0 R 95	57.60.1335	1 pce	3M3	MF, 1%, 0204, E24
0 Q 76	50.60.0050	1 pce	BC817-25	NPN 45V 800mA SOT 23	0 R 96	57.60.1333	1 pce	33k	MF, 1%, 0204, E24
0 Q 77	50.60.0050	1 pce	BC817-25	NPN 45V 800mA SOT 23	0 R 97	57.60.1104	1 pce	100k	MF, 1%, 0204, E24
0 Q 78	50.60.0050	1 pce	BC817-25	NPN 45V 800mA SOT 23	0 R 98	57.60.1563	1 pce	56k	MF, 1%, 0204, E24
0 Q 79	50.60.0050	1 pce	BC817-25	NPN 45V 800mA SOT 23	0 R 99	57.60.1564	1 pce	560k	MF, 1%, 0204, E24
0 Q 80	50.60.0050	1 pce	BC817-25	NPN 45V 800mA SOT 23	0 R 100	57.60.1102	1 pce	1k0	MF, 1%, 0204, E24
0 Q 81	50.60.0050	1 pce	BC817-25	NPN 45V 800mA SOT 23	0 R 101	57.60.1754	1 pce	750k	MF, 1%, 0204, E24
0 Q 82	50.60.0050	1 pce	BC817-25	NPN 45V 800mA SOT 23	0 R 102	57.60.1754	1 pce	750k	MF, 1%, 0204, E24
0 Q 83	50.60.1101	1 pce	FMMT717	PNP 12V 1.5A SOT 23	0 R 103	57.69.8302	1 pce	0.2A	PTC
0 R 1	not used	1 pce	0R0	CF 5% 0603	0 R 104	57.60.1221	1 pce	220R	MF, 1%, 0204, E24
0 R 2	not used	1 pce	10k	CF 5% 0603	0 R 105	57.60.1184	1 pce	180k	MF, 1%, 0204, E24
0 R 3	not used	1 pce	10k	CF 5% 0603	0 R 106	57.60.1223	1 pce	22k	MF, 1%, 0204, E24
0 R 4	57.60.1184	1 pce	180k	MF, 1%, 0204, E24	0 R 107	57.60.1224	1 pce	220k	MF, 1%, 0204, E24
0 R 5	57.60.1754	1 pce	750k	MF, 1%, 0204, E24	0 R 108	57.60.1224	1 pce	220k	MF, 1%, 0204, E24
0 R 6	57.60.1224	1 pce	220k	MF, 1%, 0204, E24	0 R 109	57.60.1223	1 pce	22k	MF, 1%, 0204, E24
0 R 7	57.60.1223	1 pce	22k	MF, 1%, 0204, E24	0 R 110	57.60.1184	1 pce	180k	MF, 1%, 0204, E24
0 R 8	57.60.1224	1 pce	220k	MF, 1%, 0204, E24	0 R 111	57.60.1104	1 pce	100k	MF, 1%, 0204, E24
0 R 9	57.60.1184	1 pce	180k	MF, 1%, 0204, E24	0 R 112	57.60.1104	1 pce	100k	MF, 1%, 0204, E24
0 R 10	57.60.1754	1 pce	750k	MF, 1%, 0204, E24	0 R 113	57.60.1102	1 pce	1k0	MF, 1%, 0204, E24
0 R 11	57.60.1224	1 pce	220k	MF, 1%, 0204, E24	0 R 114	57.60.1473	1 pce	47k	MF, 1%, 0204, E24
0 R 12	57.60.1223	1 pce	22k	MF, 1%, 0204, E24	0 R 115	57.60.1224	1 pce	220k	MF, 1%, 0204, E24
0 R 13	57.60.1224	1 pce	220k	MF, 1%, 0204, E24	0 R 116	57.60.1221	1 pce	220R	MF, 1%, 0204, E24
0 R 14	57.60.1184	1 pce	180k	MF, 1%, 0204, E24	0 R 117	57.60.1333	1 pce	33k	MF, 1%, 0204, E24
0 R 15	57.60.1754	1 pce	750k	MF, 1%, 0204, E24	0 R 118	57.60.1183	1 pce	18k	MF, 1%, 0204, E24
0 R 16	57.60.1473	1 pce	47k	MF, 1%, 0204, E24	0 R 119	57.60.1105	1 pce	1M0	MF, 1%, 0204, E24
0 R 17	57.60.1224	1 pce	220k	MF, 1%, 0204, E24	0 R 120	57.60.1330	1 pce	33R	MF, 1%, 0204, E24
0 R 18	57.60.1184	1 pce	180k	MF, 1%, 0204, E24	0 R 121	57.60.1330	1 pce	33R	MF, 1%, 0204, E24
0 R 19	57.60.1754	1 pce	750k	MF, 1%, 0204, E24	0 R 122	57.60.1680	1 pce	68R	MF, 1%, 0204, E24
0 R 20	57.60.1154	1 pce	150k	MF, 1%, 0204, E24	0 R 123	57.60.1330	1 pce	33R	MF, 1%, 0204, E24
0 R 21	57.60.1224	1 pce	220k	MF, 1%, 0204, E24	0 R 124	57.60.1680	1 pce	68R	MF, 1%, 0204, E24
0 R 22	57.60.1225	1 pce	2M2	MF, 1%, 0204, E24	0 R 125	57.60.1330	1 pce	33R	MF, 1%, 0204, E24
0 R 23	57.60.1154	1 pce	150k	MF, 1%, 0204, E24	0 R 126	57.60.1330	1 pce	33R	MF, 1%, 0204, E24
0 R 24	57.60.1154	1 pce	150k	MF, 1%, 0204, E24	0 R 127	57.60.1390	1 pce	39R	MF, 1%, 0204, E24
0 R 25	57.60.1104	1 pce	100k	MF, 1%, 0204, E24	0 R 128	57.60.1390	1 pce	39R	MF, 1%, 0204, E24
0 R 26	57.60.1104	1 pce	100k	MF, 1%, 0204, E24	0 R 129	57.60.1390	1 pce	39R	MF, 1%, 0204, E24
0 R 27	57.60.1224	1 pce	220k	MF, 1%, 0204, E24	0 R 130	57.60.1390	1 pce	39R	MF, 1%, 0204, E24
0 R 28	57.60.1754	1 pce	750k	MF, 1%, 0204, E24	0 R 131	57.60.1184	1 pce	180k	MF, 1%, 0204, E24
0 R 29	57.60.1184	1 pce	180k	MF, 1%, 0204, E24	0 R 132	57.60.1184	1 pce	180k	MF, 1%, 0204, E24
0 R 30	57.60.1184	1 pce	180k	MF, 1%, 0204, E24	0 R 133	57.60.1754	1 pce	750k	MF, 1%, 0204, E24
0 R 31	57.60.1224	1 pce	220k	MF, 1%, 0204, E24	0 R 134	57.60.1104	1 pce	100k	MF, 1%, 0204, E24
0 R 32	57.60.1225	1 pce	2M2	MF, 1%, 0204, E24	0 R 135	57.60.1223	1 pce	22k	MF, 1%, 0204, E24
0 R 33	57.60.1154	1 pce	150k	MF, 1%, 0204, E24	0 R 136	57.69.8302	1 pce	0.2A	PTC
0 R 34	57.60.1102	1 pce	1k0	MF, 1%, 0204, E24	0 R 137	57.60.1330	1 pce	33R	MF, 1%, 0204, E24
0 R 35	57.60.1102	1 pce	1k0	MF, 1%, 0204, E24	0 R 138	57.60.1680	1 pce	68R	MF, 1%, 0204, E24
0 R 36	57.60.1102	1 pce	1k0	MF, 1%, 0204, E24	0 R 139	57.60.1390	1 pce	39R	MF, 1%, 0204, E24
0 R 37	57.60.1184	1 pce	180k	MF, 1%, 0204, E24	0 R 140	57.60.1390	1 pce	39R	MF, 1%, 0204, E24
0 R 38	57.69.8302	1 pce	0.2A	PTC	0 R 141	57.60.1390	1 pce	39R	MF, 1%, 0204, E24
0 R 39	57.60.1221	1 pce	220R	MF, 1%, 0204, E24	0 R 142	57.60.1390	1 pce	39R	MF, 1%, 0204, E24
0 R 40	57.60.1221	1 pce	220R	MF, 1%, 0204, E24	0 R 143	57.60.1680	1 pce	68R	MF, 1%, 0204, E24
0 R 41	57.60.1221	1 pce	220R	MF, 1%, 0204, E24	0 R 144	57.60.1330	1 pce	33R	MF, 1%, 0204, E24
0 R 42	57.60.1221	1 pce	220R	MF, 1%, 0204, E24	0 R 145	57.60.1680	1 pce	68R	MF, 1%, 0204, E24
0 R 43	57.60.1473	1 pce	47k	MF, 1%, 0204, E24	0 R 146	57.60.1330	1 pce	33R	MF, 1%, 0204, E24
0 R 44	57.60.1473	1 pce	47k	MF, 1%, 0204, E24	0 R 147	57.60.1330	1 pce	33R	MF, 1%, 0204, E24
0 R 45	57.60.1221	1 pce	220R	MF, 1%, 0204, E24	0 R 148	57.60.1153	1 pce	15k	MF, 1%, 0204, E24
0 R 46	57.60.1184	1 pce	180k	MF, 1%, 0204, E24	0 R 149	57.60.1153	1 pce	15k	MF, 1%, 0204, E24
0 R 47	57.60.1223	1 pce	22k	MF, 1%, 0204, E24	0 R 150	57.60.1332	1 pce	3k3	MF, 1%, 0204, E24
0 R 48	57.60.1224	1 pce	220k	MF, 1%, 0204, E24	0 R 151	57.60.1102	1 pce	1k0	MF, 1%, 0204, E24
0 R 49	57.60.1224	1 pce	220k	MF, 1%, 0204, E24	0 R 152	57.60.1104	1 pce	100k	MF, 1%, 0204, E24
0 R 50	57.60.1223	1 pce	22k	MF, 1%, 0204, E24	0 R 153	57.60.1104	1 pce	100k	MF, 1%, 0204, E24
0 R 51	57.60.1221	1 pce	220R	MF, 1%, 0204, E24	0 R 154	57.60.1103	1 pce	10k	MF, 1%, 0204, E24
0 R 52	57.60.1224	1 pce	220k	MF, 1%, 0204, E24	0 R 155	57.60.1103	1 pce	10k	MF, 1%, 0204, E24
0 R 53	57.60.1221	1 pce	220R	MF, 1%, 0204, E24	0 R 156	57.60.1101	1 pce	100R	MF, 1%, 0204, E24
0 R 54	57.60.1224	1 pce	220k	MF, 1%, 0204, E24	0 R 157	57.60.1000	1 pce	0R0	MF, 0204
0 R 55	57.60.1101	1 pce	100R	MF, 1%, 0204, E24	0 R 158	57.60.1564	1 pce	560k	MF, 1%, 0204, E24
0 R 56	57.69.8302	1 pce	0.2A	PTC	0 R 159	57.60.1563	1 pce	56k	MF, 1%, 0204, E24
0 R 57	57.69.8302	1 pce	0.2A	PTC	0 R 160	57.60.1104	1 pce	100k	MF, 1%, 0204, E24

Master Front PCB 1.949.834.81 (0)

Idx. Pos.	Part No.	Qty.	Type/Val.	Description	Idx. Pos.	Part No.	Qty.	Type/Val.	Description
0 R 169	57.60.1102	1 pce	1k0	MF, 1%, 0204, E24	0 R 272	57.60.1680	1 pce	68R	MF, 1%, 0204, E24
0 R 170	57.60.1104	1 pce	100k	MF, 1%, 0204, E24	0 R 273	57.60.1270	1 pce	27R	MF, 1%, 0204, E24
0 R 171	57.60.1394	1 pce	390k	MF, 1%, 0204, E24	0 R 274	57.60.1270	1 pce	27R	MF, 1%, 0204, E24
0 R 172	57.60.1335	1 pce	3M3	MF, 1%, 0204, E24	0 R 275	57.60.1270	1 pce	27R	MF, 1%, 0204, E24
0 R 173	57.60.1333	1 pce	3k3	MF, 1%, 0204, E24	0 R 276	57.60.1270	1 pce	27R	MF, 1%, 0204, E24
0 R 174	57.60.1104	1 pce	100k	MF, 1%, 0204, E24	0 R 277	57.60.1220	1 pce	22R	MF, 1%, 0204, E24
0 R 175	57.60.1563	1 pce	56k	MF, 1%, 0204, E24	0 R 278	57.60.1220	1 pce	22R	MF, 1%, 0204, E24
0 R 176	57.60.1564	1 pce	560k	MF, 1%, 0204, E24	0 R 279	57.60.1220	1 pce	22R	MF, 1%, 0204, E24
0 R 177	57.60.1221	1 pce	220R	MF, 1%, 0204, E24	0 R 280	57.60.1220	1 pce	22R	MF, 1%, 0204, E24
0 R 178	57.60.1332	1 pce	3k3	MF, 1%, 0204, E24	0 R 281	57.60.1220	1 pce	22R	MF, 1%, 0204, E24
0 R 179	57.60.1153	1 pce	15k	MF, 1%, 0204, E24	0 R 282	57.60.1220	1 pce	22R	MF, 1%, 0204, E24
0 R 180	57.60.1153	1 pce	15k	MF, 1%, 0204, E24	0 R 283	57.60.1220	1 pce	22R	MF, 1%, 0204, E24
0 R 181	57.60.1220	1 pce	22R	MF, 1%, 0204, E24	0 R 284	57.60.1220	1 pce	22R	MF, 1%, 0204, E24
0 R 182	57.60.1220	1 pce	22R	MF, 1%, 0204, E24	0 R 285	57.69.1121	1 pce	100k	CF 5% 0603
0 R 183	57.60.1103	1 pce	10k	MF, 1%, 0204, E24	0 R 286	57.69.1097	1 pce	10k	CF 5% 0603
0 R 184	57.60.1103	1 pce	10k	MF, 1%, 0204, E24	0 R 287	57.69.1121	1 pce	100k	CF 5% 0603
0 R 185	57.60.1332	1 pce	3k3	MF, 1%, 0204, E24	0 R 288	57.69.1097	1 pce	10k	CF 5% 0603
0 R 186	57.60.1301	1 pce	300R	MF, 1%, 0204, E24	0 R 289	57.69.1073	1 pce	1k0	CF 5% 0603
0 R 187	57.60.1101	1 pce	100R	MF, 1%, 0204, E24	0 R 290	57.69.1073	1 pce	1k0	CF 5% 0603
0 R 188	57.60.1101	1 pce	100R	MF, 1%, 0204, E24	0 R 291	57.69.1073	1 pce	1k0	CF 5% 0603
0 R 189	57.60.1102	1 pce	1k0	MF, 1%, 0204, E24	0 R 292	57.69.1073	1 pce	1k0	CF 5% 0603
0 R 190	57.60.1221	1 pce	220R	MF, 1%, 0204, E24	0 R 293	57.69.1073	1 pce	1k0	CF 5% 0603
0 R 191	57.60.1332	1 pce	3k3	MF, 1%, 0204, E24	0 R 294	57.69.1073	1 pce	1k0	CF 5% 0603
0 R 192	57.60.1271	1 pce	270R	MF, 1%, 0204, E24	0 R 295	57.69.1073	1 pce	1k0	CF 5% 0603
0 R 193	57.60.1271	1 pce	270R	MF, 1%, 0204, E24	0 R 296	57.69.1073	1 pce	1k0	CF 5% 0603
0 R 194	57.60.1271	1 pce	270R	MF, 1%, 0204, E24	0 R 297	57.69.1073	1 pce	1k0	CF 5% 0603
0 R 195	57.60.1271	1 pce	270R	MF, 1%, 0204, E24	0 R 298	57.69.1073	1 pce	1k0	CF 5% 0603
0 R 196	57.60.1271	1 pce	270R	MF, 1%, 0204, E24	0 R 299	57.69.1073	1 pce	1k0	CF 5% 0603
0 R 197	57.60.1271	1 pce	270R	MF, 1%, 0204, E24	0 R 300	57.69.1073	1 pce	1k0	CF 5% 0603
0 R 198	57.60.1271	1 pce	270R	MF, 1%, 0204, E24	0 R 301	57.69.1073	1 pce	1k0	CF 5% 0603
0 R 199	57.60.1271	1 pce	270R	MF, 1%, 0204, E24	0 R 302	57.69.1073	1 pce	1k0	CF 5% 0603
0 R 200	57.69.1073	1 pce	1k0	CF 5% 0603	0 R 303	57.69.1073	1 pce	1k0	CF 5% 0603
0 R 201	57.69.1073	1 pce	1k0	CF 5% 0603	0 R 304	57.69.1085	1 pce	3k3	CF 5% 0603
0 R 202	57.69.1073	1 pce	1k0	CF 5% 0603	0 R 305	57.69.1097	1 pce	10k	CF 5% 0603
0 R 203	57.69.1073	1 pce	1k0	CF 5% 0603	0 R 306	57.69.1097	1 pce	10k	CF 5% 0603
0 R 204	57.69.1073	1 pce	1k0	CF 5% 0603	0 R 307	57.69.1097	1 pce	10k	CF 5% 0603
0 R 205	57.69.1073	1 pce	1k0	CF 5% 0603	0 R 308	57.69.1097	1 pce	10k	CF 5% 0603
0 R 206	57.69.1073	1 pce	1k0	CF 5% 0603	0 R 309	57.69.1097	1 pce	10k	CF 5% 0603
0 R 207	57.69.1073	1 pce	1k0	CF 5% 0603	0 R 310	57.69.1097	1 pce	10k	CF 5% 0603
0 R 208	57.69.1073	1 pce	1k0	CF 5% 0603	0 R 311	57.69.1085	1 pce	3k3	CF 5% 0603
0 R 209	57.69.1073	1 pce	1k0	CF 5% 0603	0 R 312	57.69.1085	1 pce	3k3	CF 5% 0603
0 R 210	57.69.1073	1 pce	1k0	CF 5% 0603	0 R 313	57.69.1097	1 pce	10k	CF 5% 0603
0 R 211	57.69.1073	1 pce	1k0	CF 5% 0603	0 R 314	57.69.1097	1 pce	10k	CF 5% 0603
0 R 212	57.69.1073	1 pce	1k0	CF 5% 0603	0 R 315	57.69.1097	1 pce	10k	CF 5% 0603
0 R 213	57.69.1073	1 pce	1k0	CF 5% 0603	0 R 316	57.69.1097	1 pce	10k	CF 5% 0603
0 R 214	57.69.1073	1 pce	1k0	CF 5% 0603	0 R 317	57.60.1470	1 pce	47R	MF, 1%, 0204, E24
0 R 215	57.69.1073	1 pce	1k0	CF 5% 0603	0 R 318	57.60.1271	1 pce	270R	MF, 1%, 0204, E24
0 R 216	57.69.1073	1 pce	1k0	CF 5% 0603	0 R 319	57.60.1102	1 pce	1k0	MF, 1%, 0204, E24
0 R 217	57.69.1073	1 pce	1k0	CF 5% 0603	0 R 320	57.60.1182	1 pce	1k8	MF, 1%, 0204, E24
0 R 218	57.69.1073	1 pce	1k0	CF 5% 0603	0 R 321	57.60.1220	1 pce	22R	MF, 1%, 0204, E24
0 R 219	57.69.1073	1 pce	1k0	CF 5% 0603	0 R 322	57.60.1220	1 pce	22R	MF, 1%, 0204, E24
0 R 220	57.60.1121	1 pce	120R	MF, 1%, 0204, E24	0 R 323	57.60.1220	1 pce	22R	MF, 1%, 0204, E24
0 R 221	57.60.1270	1 pce	27R	MF, 1%, 0204, E24	0 R 324	57.60.1152	1 pce	1k5	MF, 1%, 0204, E24
0 R 222	57.60.1121	1 pce	120R	MF, 1%, 0204, E24	0 R 325	57.60.1104	1 pce	100k	MF, 1%, 0204, E24
0 R 223	57.60.1270	1 pce	27R	MF, 1%, 0204, E24	0 S 47	55.15.1005	1 pce	1*a	TASTE, IMPULS
0 R 224	57.60.1680	1 pce	68R	MF, 1%, 0204, E24	0 S 59	55.12.1304	1 pce	N=18	Encoder
0 R 225	57.60.1680	1 pce	68R	MF, 1%, 0204, E24	0 S 60	55.12.1304	1 pce	N=18	Encoder
0 R 226	57.60.1680	1 pce	68R	MF, 1%, 0204, E24	0 S 65	55.15.1005	1 pce	1*a	TASTE, IMPULS
0 R 227	57.60.1680	1 pce	68R	MF, 1%, 0204, E24	0 W 1	1.023.115.05	1 pce		FLACKABEL 50 POL. 0,07 M
0 R 228	57.60.1121	1 pce	120R	MF, 1%, 0204, E24	0 W 2	1.949.125.93	1 pce		Ll. Center Frontboard
0 R 229	57.60.1331	1 pce	330R	MF, 1%, 0204, E24	0 W 3	1.949.834.93	1 pce		LL MASTER FRONT
0 R 230	57.60.1121	1 pce	120R	MF, 1%, 0204, E24	0 XDL 9	53.60.0110	1 pce	10p	DIL 0.3", SMD
0 R 231	57.60.1471	1 pce	470R	MF, 1%, 0204, E24	0 XDL 18	53.60.0110	1 pce	10p	DIL 0.3", SMD
0 R 232	57.60.1271	1 pce	270R	MF, 1%, 0204, E24	0 XIC 1	53.03.0187	2 pcs	14p	DIL 0.3", lötl, H=6
0 R 233	57.60.1271	1 pce	270R	MF, 1%, 0204, E24	0 XIC 2	53.03.0187	2 pcs	14p	DIL 0.3", lötl, H=6
0 R 234	57.60.1271	1 pce	270R	MF, 1%, 0204, E24	0 XIC 3	53.03.0187	2 pcs	14p	DIL 0.3", lötl, H=6
0 R 235	57.60.1271	1 pce	270R	MF, 1%, 0204, E24	0 Y 1	not used	1 pce	6.000MHz	SMD Quartz
0 R 236	57.60.1271	1 pce	270R	MF, 1%, 0204, E24	0 Y 3	89.60.1011	1 pce	6.000MHz	SMD Quartz
0 R 237	57.60.1271	1 pce	270R	MF, 1%, 0204, E24					
0 R 238	57.60.1271	1 pce	270R	MF, 1%, 0204, E24					
0 R 239	57.60.1270	1 pce	27R	MF, 1%, 0204, E24					
0 R 240	57.60.1680	1 pce	68R	MF, 1%, 0204, E24					
0 R 241	57.60.1270	1 pce	27R	MF, 1%, 0204, E24					
0 R 242	57.60.1680	1 pce	68R	MF, 1%, 0204, E24					
0 R 243	57.60.1270	1 pce	27R	MF, 1%, 0204, E24					
0 R 244	57.60.1680	1 pce	68R	MF, 1%, 0204, E24					
0 R 245	57.69.1073	1 pce	1k0	CF 5% 0603					
0 R 246	57.69.1073	1 pce	1k0	CF 5% 0603					
0 R 247	57.69.1073	1 pce	1k0	CF 5% 0603					
0 R 248	57.69.1073	1 pce	1k0	CF 5% 0603					
0 R 249	57.69.1073	1 pce	1k0	CF 5% 0603					
0 R 250	57.69.1073	1 pce	1k0	CF 5% 0603					
0 R 251	57.69.1073	1 pce	1k0	CF 5% 0603					
0 R 252	57.69.1073	1 pce	1k0	CF 5% 0603					
0 R 253	57.69.1073	1 pce	1k0	CF 5% 0603					
0 R 254	57.69.1073	1 pce	1k0	CF 5% 0603					
0 R 255	57.69.1073	1 pce	1k0	CF 5% 0603					
0 R 256	57.69.1121	1 pce	100k	CF 5% 0603					
0 R 257	57.69.1097	1 pce	10k	CF 5% 0603					
0 R 258	57.69.1121	1 pce	100k	CF 5% 0603					
0 R 259	57.69.1097	1 pce	10k	CF 5% 0603					
0 R 260	57.60.1270	1 pce	27R	MF, 1%, 0204, E24					
0 R 261	57.60.1680	1 pce	68R	MF, 1%, 0204, E24					
0 R 262	57.60.1680	1 pce	68R	MF, 1%, 0204, E24					
0 R 263	57.60.1270	1 pce	27R	MF, 1%, 0204, E24					
0 R 264	57.60.1121	1 pce	120R	MF, 1%, 0204, E24					
0 R 265	57.60.1121	1 pce	120R	MF, 1%, 0204, E24					
0 R 266	57.60.1270	1 pce	27R	MF, 1%, 0204, E24					
0 R 267	57.60.1270	1 pce	27R	MF, 1%, 0204, E24					
0 R 268	57.60.1680	1 pce	68R	MF, 1%, 0204, E24					
0 R 269	57.60.1270	1 pce	27R	MF, 1%, 0204, E24					
0 R 270	57.60.1270	1 pce	27R	MF, 1%, 0204, E24					
0 R 271	57.60.1270	1 pce	27R	MF, 1%, 0204, E24					

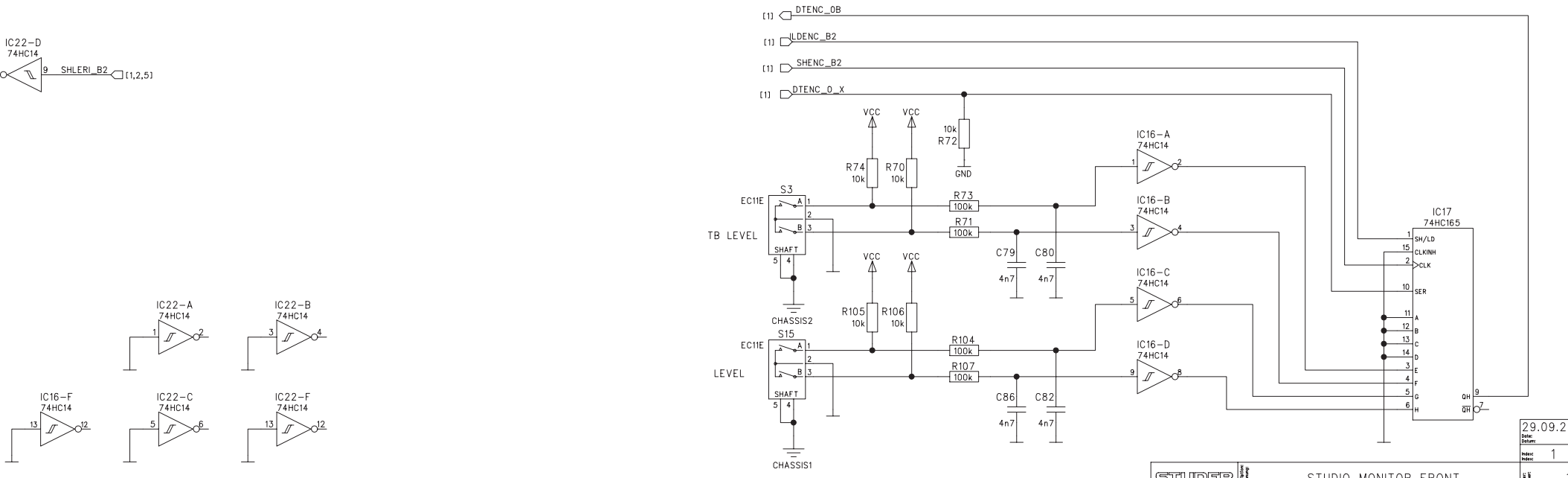
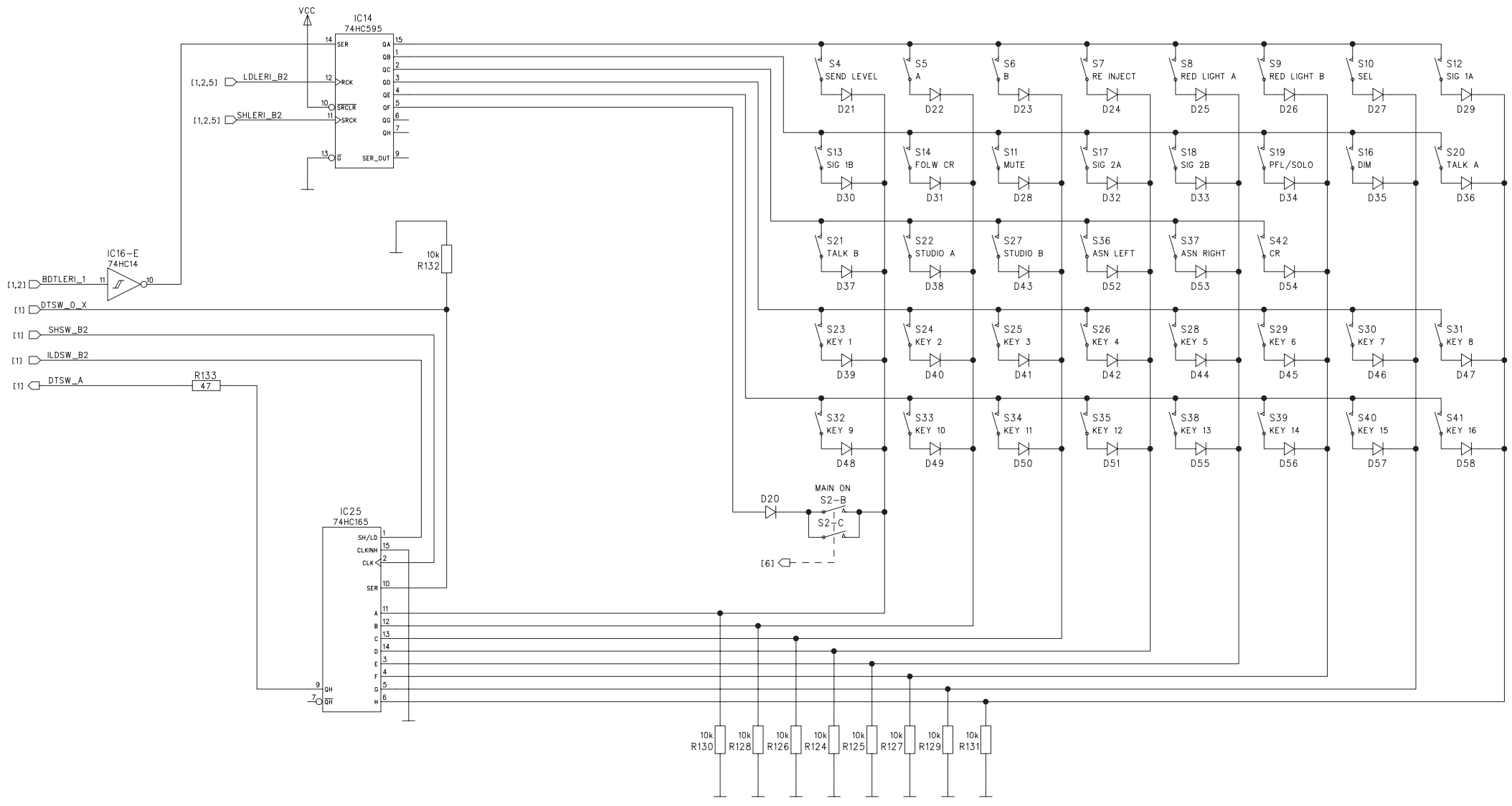
End of List

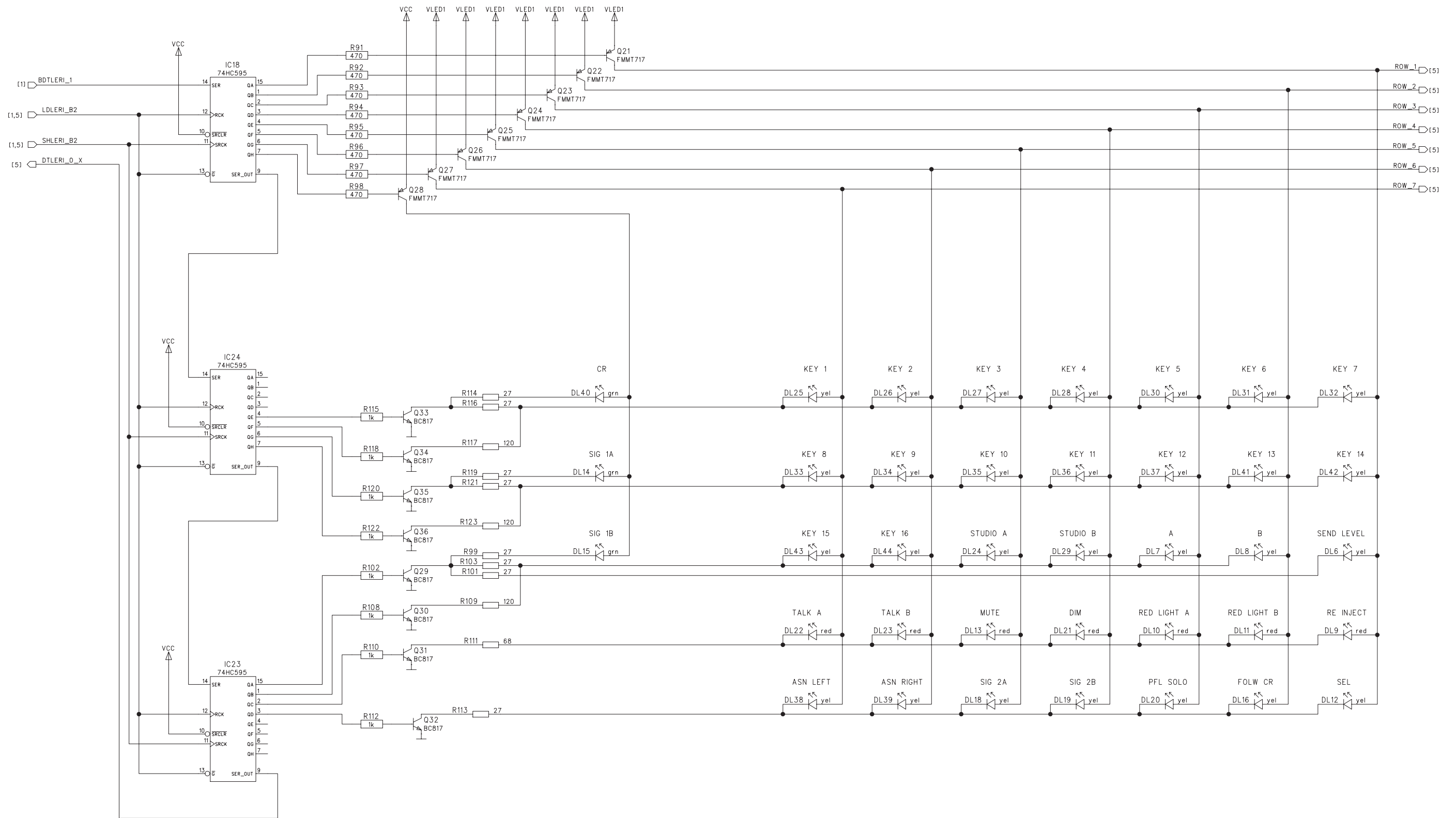
Comments:

Studio Monitor Front PCB 1.949.836.00 (1)

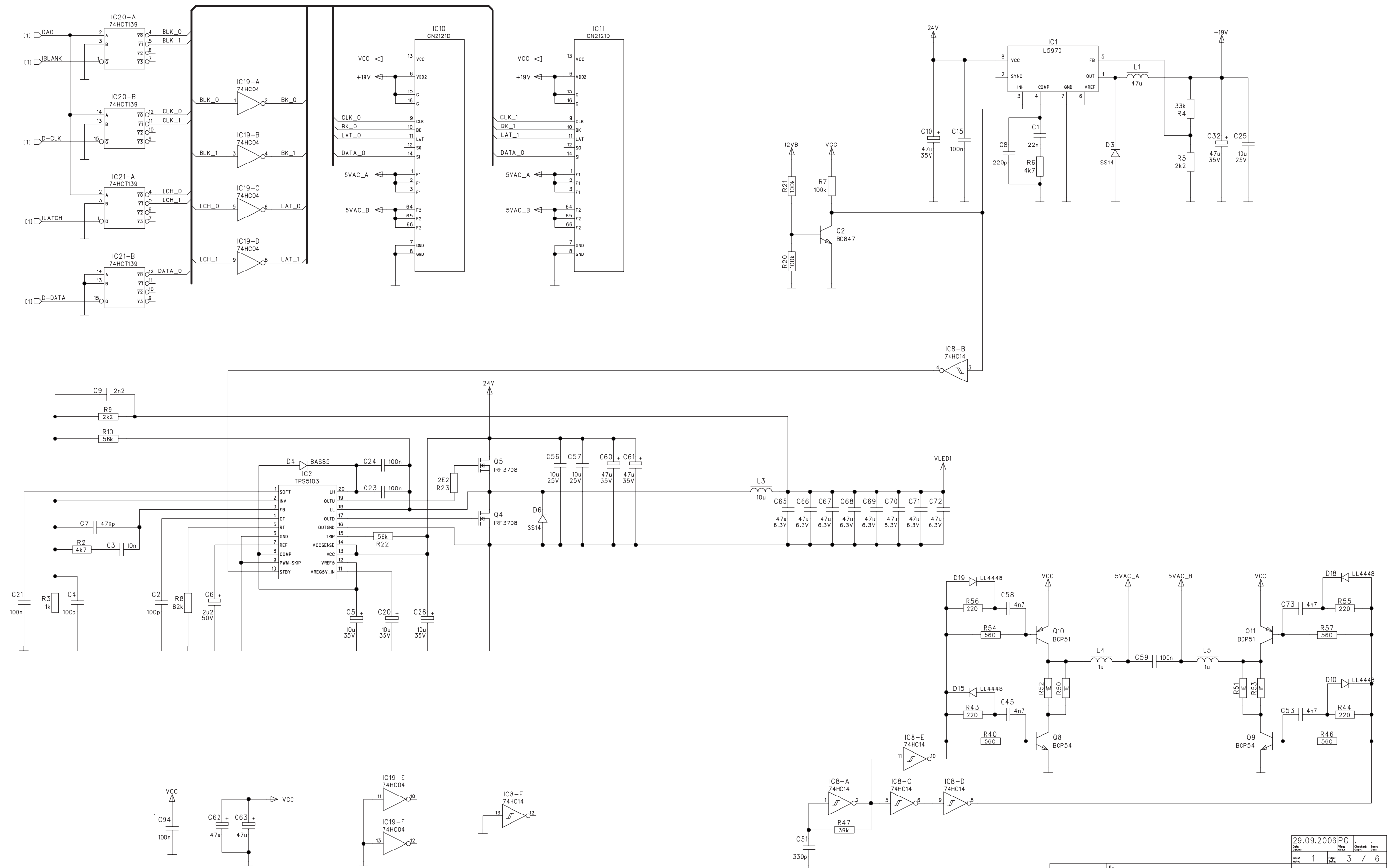
- From Controll Board**
- W3-1 12VB (1,3)
 - W3-2 12VB (1,3)
 - W3-3 GND (1,2,3,4,5,6)
 - W3-4 GND (1,2,3,4,5,6)
 - W3-5 CE_DISPLAY_3 (1)
 - W3-6 CE_DISPLAY_2 (1)
 - W3-7 CE_DISPLAY_1 (1)
 - W3-8 ENFAD_13 (1)
 - W3-9 ENFAD_12 (1)
 - W3-10 ENFAD_11 (1)
 - W3-11 DACS_4 (1)
 - W3-12 ADCS_4 (1)
 - W3-13 LOAD (1)
 - W3-14 BDTLERI_0 (1)
 - W3-15 BDTLERI_D (1)
 - W3-16 3V3 (1)
 - W3-17 3V3 (1)
 - W3-18 BLANK (1,5)
 - W3-19 SCLK_B2 (1,5)
 - W3-20 RES (1,5)
 - W3-21 MRST (1)
 - W3-22 GND (1,2,3,4,5,6)
 - W3-23 MTSR_B2 (1,5)
 - W3-24 GND (1,2,3,4,5,6)
 - W3-25 D-DATA (3)
 - W3-26 ILATCH (3)
 - W3-27 D-CLK (3)
 - W3-28 IBLANK (3)
 - W3-29 DAD (3)
 - W3-30 DTSW_A (3)
 - W3-31 CE_DISPLAY_5 (5)
 - W3-32 CE_DISPLAY_4 (5)
 - W3-33 GND (5)
 - W3-34 GND (1,2,3,4,5,6)
 - W3-35 DTENC_OB (1)
 - W3-36 SHENC_B2 (1)
 - W3-37 ILDENC_B2 (1)
 - W3-38 BDTLERI_1 (1,2)
 - W3-39 SHLERI_B2 (1,2,5)
 - W3-40 LDLERI_B2 (1,2,5)
 - W3-41 SHSW_B2 (1)
 - W3-42 ILDSW_B2 (1)
 - W3-43 PRIMPSOK (6)
 - W3-45 VCC (1,2,3,4,5,6)
 - W3-46 VCC (1,2,3,4,5,6)
 - W3-47 GND (1,2,3,4,5,6)
 - W3-48 24V (1,2,3,4,5,6)
 - W3-49 24V (1,3)
 - W3-50 24V (1,3)

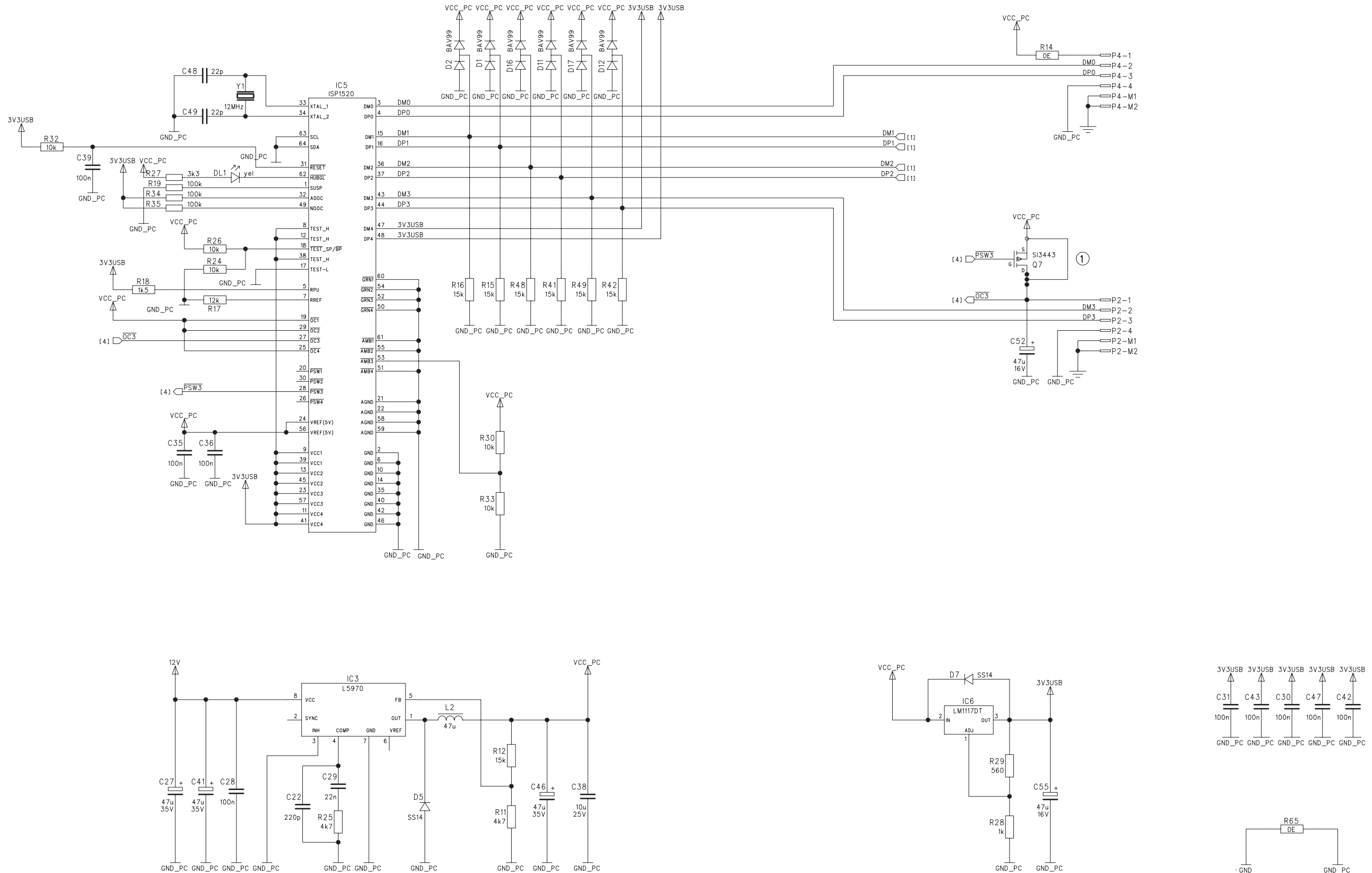
- To Master Front Board**
- P3-1 VCC_PC (1,4)
 - P3-2 VCC_PC (1,4)
 - P3-3 DP2 (4)
 - P3-4 DM2 (4)
 - P3-5 GND_PC (1,4,5,6)
 - P3-6 GND_PC (1,4,5,6)
 - P3-7 DP1 (4)
 - P3-8 DM1 (4)
 - P3-9 24V (1,3)
 - P3-10 24V (1,3)
 - P3-11 GND (1,2,3,4,5,6)
 - P3-12 GND (1,2,3,4,5,6)
 - P3-13 VCC (1,2,3,4,5,6)
 - P3-14 VCC (1,2,3,4,5,6)
 - P3-15 VCC (1,2,3,4,5,6)
 - P3-16 ILDSW_B2 (1)
 - P3-17 SHSW_B2 (1)
 - P3-18 LDLERI_B2 (1)
 - P3-19 DTENC_O_X (1)
 - P3-20 SHENC_B2 (1)
 - P3-21 ILDENC_B2 (1)
 - P3-22 DTSW_O_X (1)
 - P3-23 VLED1 (1,2,3,5)
 - P3-24 VLED1 (1,2,3,5)
 - P3-25 GND (1,2,3,4,5,6)
 - P3-26 MTSR_B2 (1,5)
 - P3-27 GND (1,2,3,4,5,6)
 - P3-28 MRST (1)
 - P3-29 RES (1,5)
 - P3-30 SCLK_B2 (1,5)
 - P3-31 BLANK (1,5)
 - P3-32 RS (1,5)
 - P3-33 VLED1 (1,5)
 - P3-34 VLED1 (1,2,3,5)
 - P3-35 VLED1 (1,2,3,5)
 - P3-36 BDTLERI_D (1)
 - P3-37 BDTLERI_0 (1)
 - P3-38 LOAD (1)
 - P3-39 DACS_4 (1)
 - P3-40 ENFAD_11 (1)
 - P3-41 ENFAD_12 (1)
 - P3-42 ENFAD_13 (1)
 - P3-43 CE_DISPLAY_1 (1)
 - P3-44 CE_DISPLAY_2 (1)
 - P3-45 CE_DISPLAY_3 (1)
 - P3-46 GND (1,2,3,4,5,6)
 - P3-47 GND (1,2,3,4,5,6)
 - P3-48 12VB (1,3)
 - P3-49 12VB (1,3)
 - P3-50 12VB (1,3)



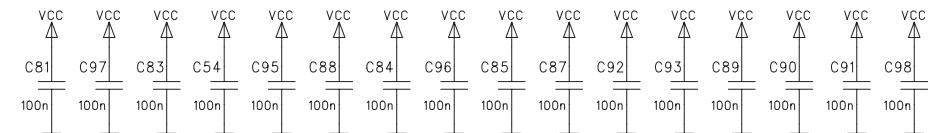
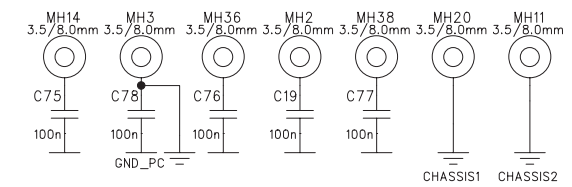
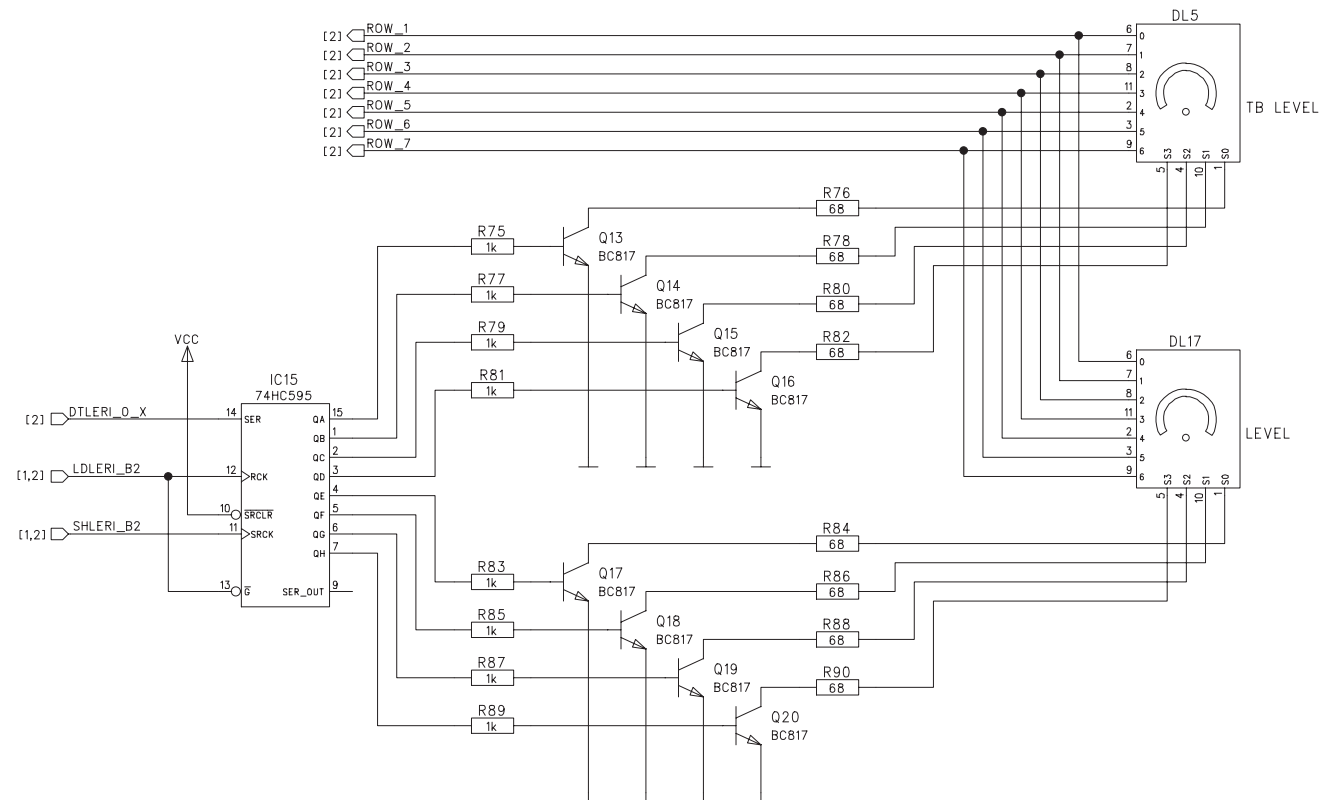
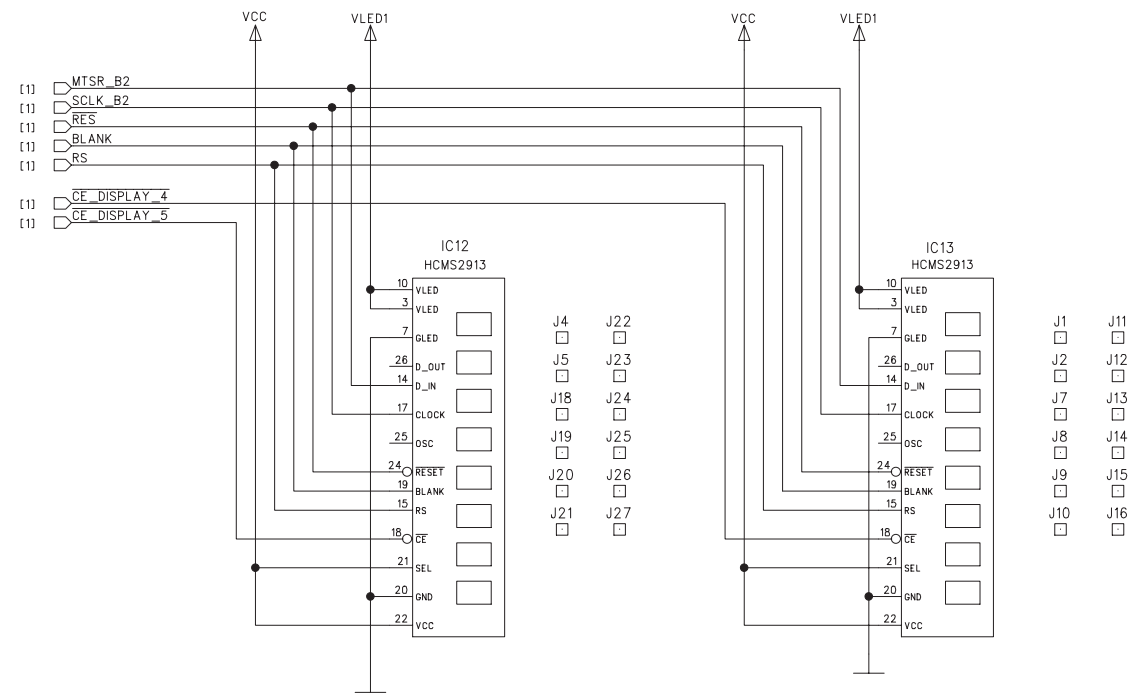


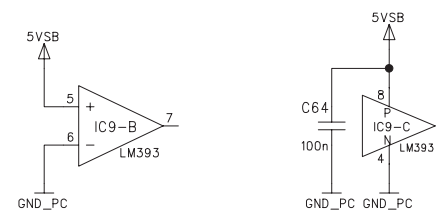
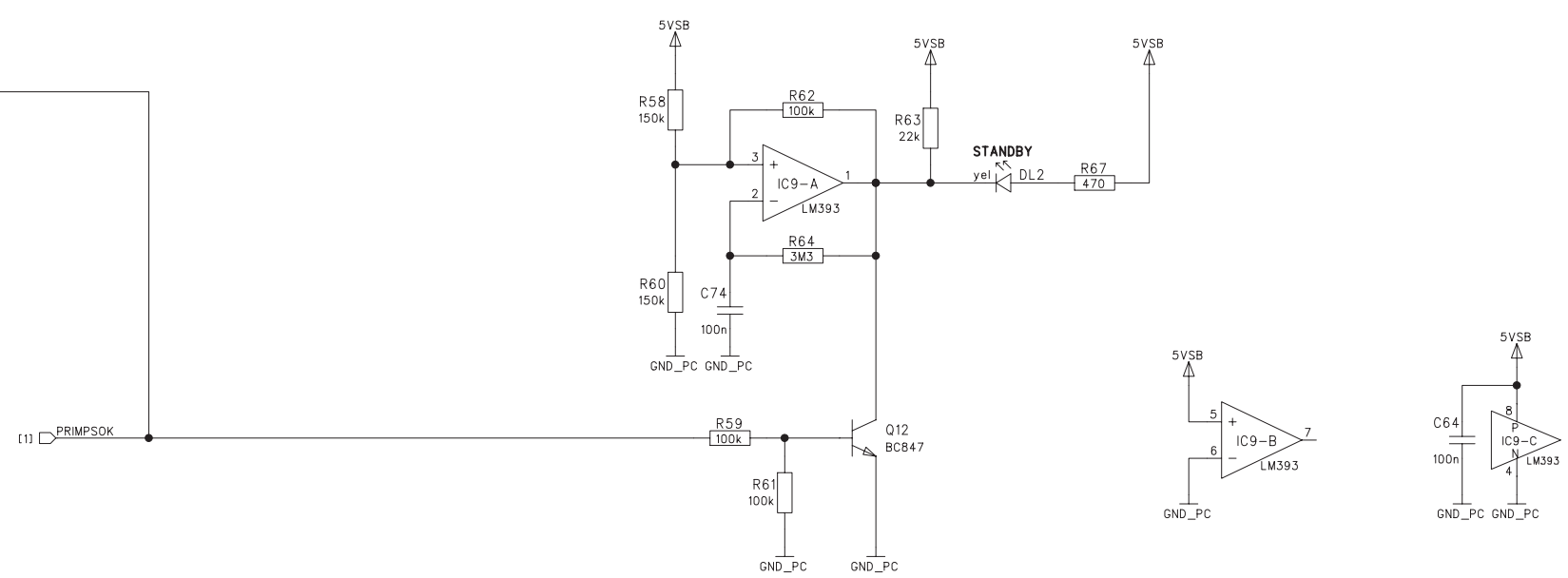
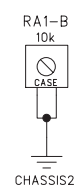
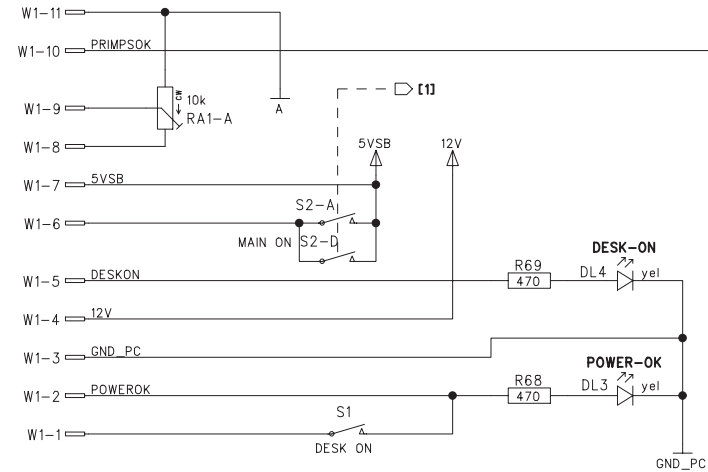
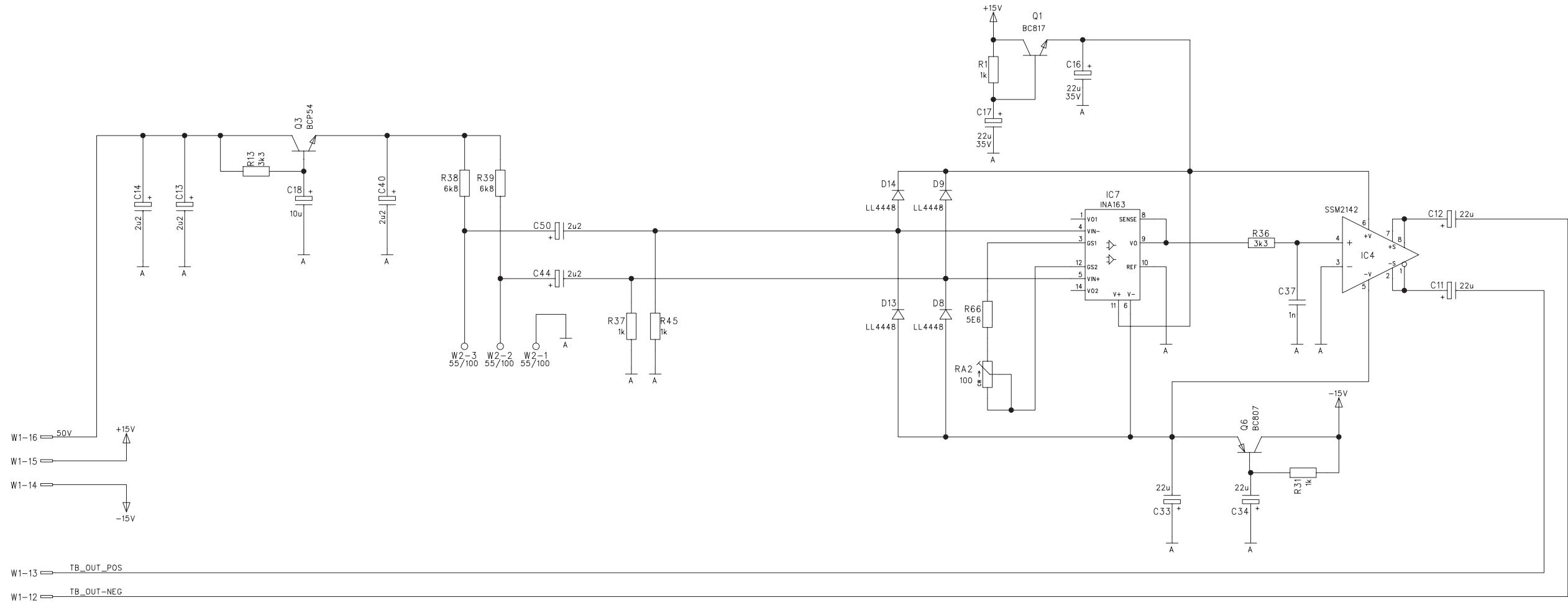
29.09.2006	PG 1	
Index	1	Page 2 / 6
		1.949.836.00



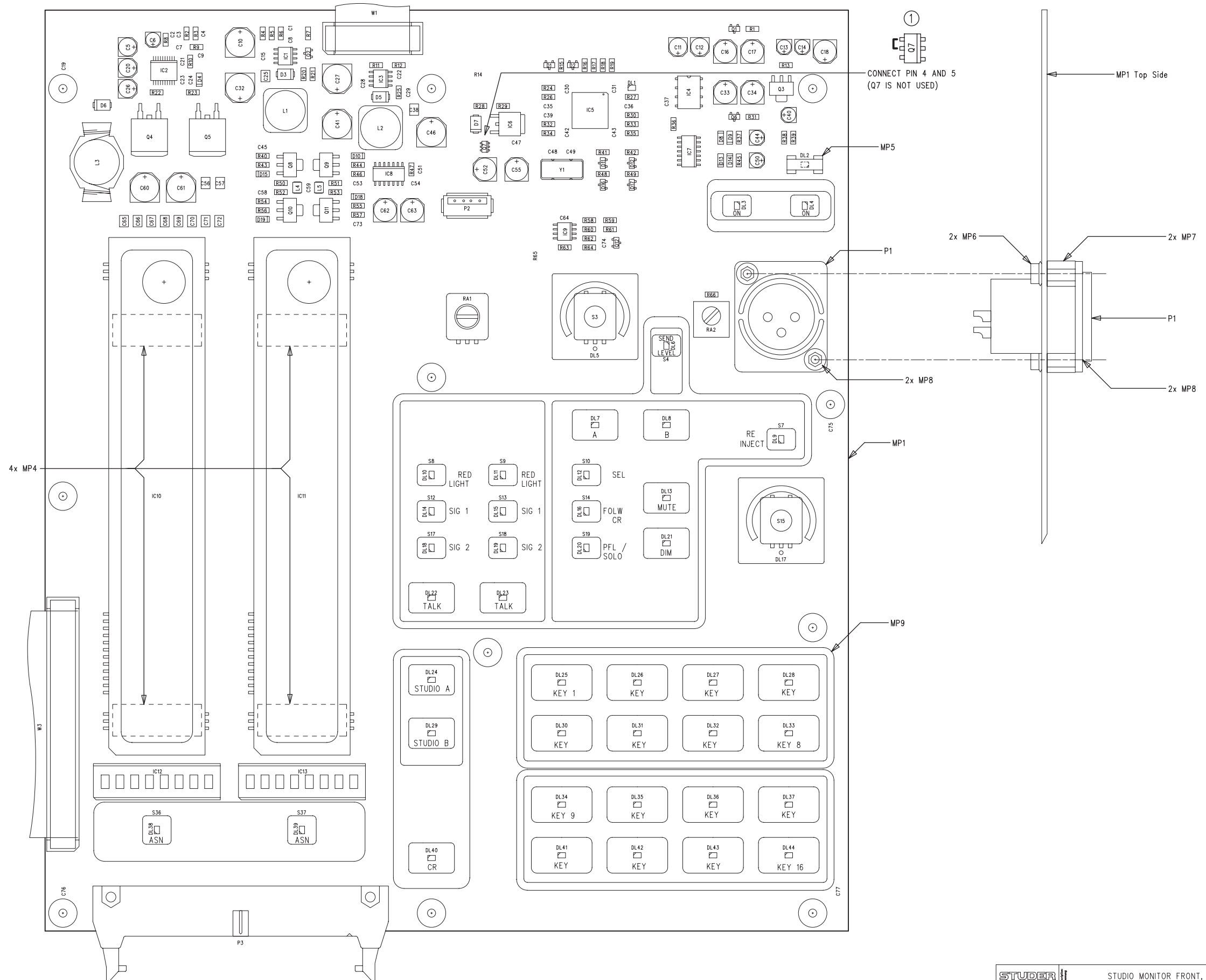


29.09.2006	PG 1.	
Index	1	Page 4 / 6
Index	1	Page 4 / 6



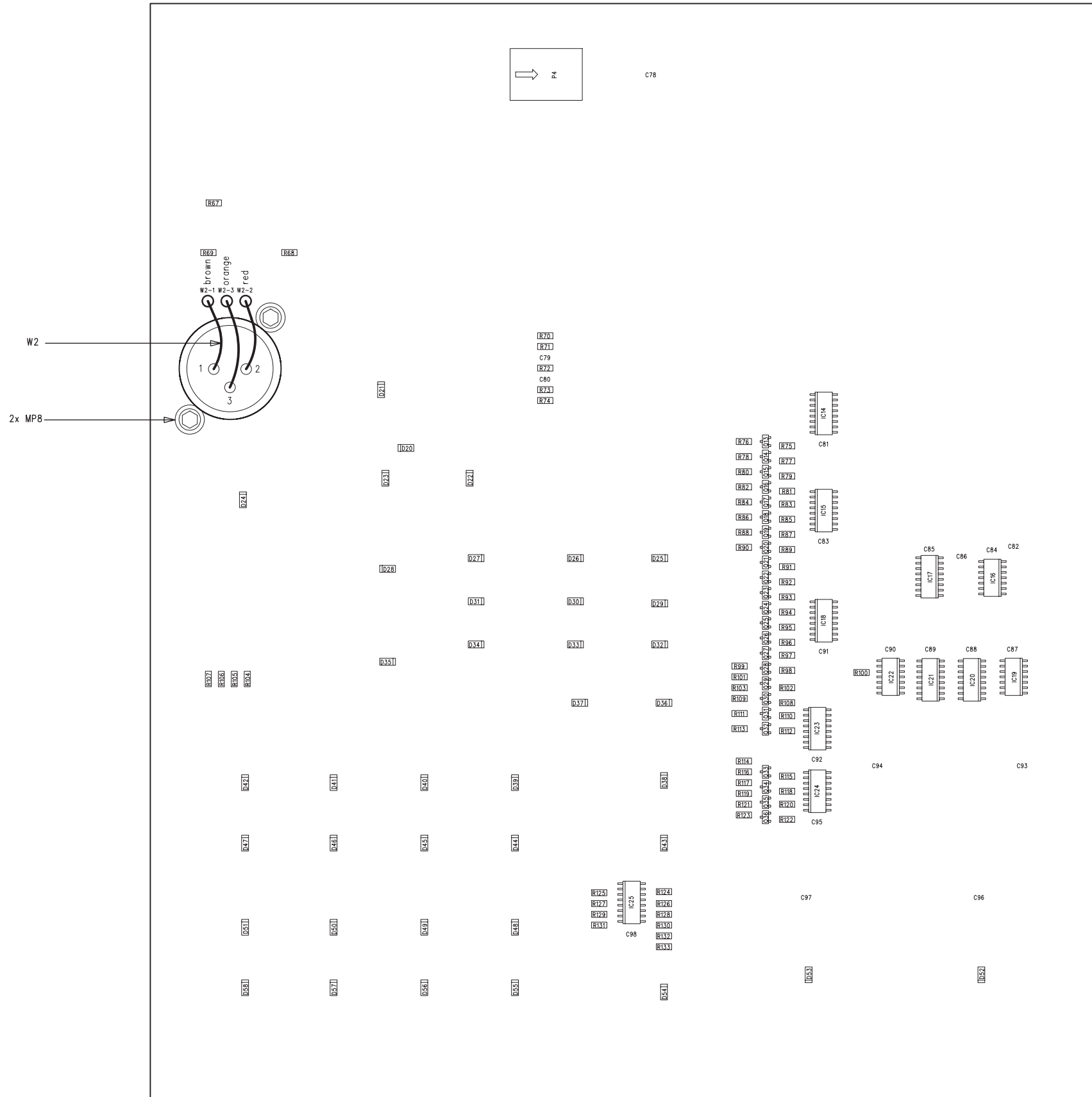


Studio Monitor Front PCB 1.949.836.00 (1)



Date:	29.09.2006	PG:	ML:	HW:
Issue:	1	Page:	1 / 2	

Studio Monitor Front PCB 1.949.836.00 (1)



Date printed: 23.10.07

Studio Monitor Front PCB 1.949.836.00 (1)

Idx. Pos.	Part No.	Qty.	Type/Val.	Description	Idx. Pos.	Part No.	Qty.	Type/Val.	Description	
0 C 1	59.60.3329	1	pce	22n	0 D 5	50.60.8103	1	pce	SS14	1A 40V Schottky
0 C 2	59.60.2249	1	pce	100p	0 D 6	50.60.8103	1	pce	SS14	1A 40V Schottky
0 C 3	59.60.3325	1	pce	10n	0 D 7	50.60.8103	1	pce	SS14	1A 40V Schottky
0 C 4	59.60.2249	1	pce	100p	0 D 8	50.60.8001	1	pce	4448	200mA 75V 4ns SOD 80
0 C 5	59.68.0109	1	pce	10u	0 D 9	50.60.8001	1	pce	4448	200mA 75V 4ns SOD 80
0 C 6	59.68.0129	1	pce	2u2	0 D 10	50.60.8001	1	pce	4448	200mA 75V 4ns SOD 80
0 C 7	59.60.2365	1	pce	470p	0 D 11	50.60.8901	1	pce	BAV99	250mA 70V dual SOT 23
0 C 8	59.60.2257	1	pce	220p	0 D 12	50.60.8901	1	pce	BAV99	250mA 70V dual SOT 23
0 C 9	59.60.3317	1	pce	2r2	0 D 13	50.60.8001	1	pce	4448	200mA 75V 4ns SOD 80
0 C 10	59.68.0113	1	pce	47u	0 D 14	50.60.8001	1	pce	4448	200mA 75V 4ns SOD 80
0 C 11	59.68.0067	1	pce	22u	0 D 15	50.60.8001	1	pce	4448	200mA 75V 4ns SOD 80
0 C 12	59.68.0067	1	pce	22u	0 D 16	50.60.8901	1	pce	BAV99	250mA 70V dual SOT 23
0 C 13	59.68.0129	1	pce	2u2	0 D 17	50.60.8901	1	pce	BAV99	250mA 70V dual SOT 23
0 C 14	59.68.0129	1	pce	2u2	0 D 18	50.60.8001	1	pce	4448	200mA 75V 4ns SOD 80
0 C 15	59.60.3337	1	pce	100n	0 D 19	50.60.8001	1	pce	4448	200mA 75V 4ns SOD 80
0 C 16	59.68.0111	1	pce	22u	0 D 20	50.60.8001	1	pce	4448	200mA 75V 4ns SOD 80
0 C 17	59.68.0111	1	pce	22u	0 D 21	50.60.8001	1	pce	4448	200mA 75V 4ns SOD 80
0 C 18	59.68.0133	1	pce	10u	0 D 22	50.60.8001	1	pce	4448	200mA 75V 4ns SOD 80
0 C 19	59.60.3337	1	pce	100n	0 D 23	50.60.8001	1	pce	4448	200mA 75V 4ns SOD 80
0 C 20	59.68.0109	1	pce	10u	0 D 24	50.60.8001	1	pce	4448	200mA 75V 4ns SOD 80
0 C 21	59.60.3337	1	pce	100n	0 D 25	50.60.8001	1	pce	4448	200mA 75V 4ns SOD 80
0 C 22	59.60.2257	1	pce	220p	0 D 26	50.60.8001	1	pce	4448	200mA 75V 4ns SOD 80
0 C 23	59.60.3337	1	pce	100n	0 D 27	50.60.8001	1	pce	4448	200mA 75V 4ns SOD 80
0 C 24	59.60.3337	1	pce	100n	0 D 28	50.60.8001	1	pce	4448	200mA 75V 4ns SOD 80
0 C 25	59.60.3905	1	pce	10u	0 D 29	50.60.8001	1	pce	4448	200mA 75V 4ns SOD 80
0 C 26	59.68.0109	1	pce	10u	0 D 30	50.60.8001	1	pce	4448	200mA 75V 4ns SOD 80
0 C 27	59.68.0113	1	pce	47u	0 D 31	50.60.8001	1	pce	4448	200mA 75V 4ns SOD 80
0 C 28	59.60.3337	1	pce	100n	0 D 32	50.60.8001	1	pce	4448	200mA 75V 4ns SOD 80
0 C 29	59.60.3329	1	pce	22n	0 D 33	50.60.8001	1	pce	4448	200mA 75V 4ns SOD 80
0 C 30	59.60.3337	1	pce	100n	0 D 34	50.60.8001	1	pce	4448	200mA 75V 4ns SOD 80
0 C 31	59.60.3337	1	pce	100n	0 D 35	50.60.8001	1	pce	4448	200mA 75V 4ns SOD 80
0 C 32	59.68.0113	1	pce	47u	0 D 36	50.60.8001	1	pce	4448	200mA 75V 4ns SOD 80
0 C 33	59.68.0111	1	pce	22u	0 D 37	50.60.8001	1	pce	4448	200mA 75V 4ns SOD 80
0 C 34	59.68.0111	1	pce	22u	0 D 38	50.60.8001	1	pce	4448	200mA 75V 4ns SOD 80
0 C 35	59.60.3337	1	pce	100n	0 D 39	50.60.8001	1	pce	4448	200mA 75V 4ns SOD 80
0 C 36	59.60.3337	1	pce	100n	0 D 40	50.60.8001	1	pce	4448	200mA 75V 4ns SOD 80
0 C 37	59.63.1113	1	pce	1n0	0 D 41	50.60.8001	1	pce	4448	200mA 75V 4ns SOD 80
0 C 38	59.60.3905	1	pce	10u	0 D 42	50.60.8001	1	pce	4448	200mA 75V 4ns SOD 80
0 C 39	59.60.3337	1	pce	100n	0 D 43	50.60.8001	1	pce	4448	200mA 75V 4ns SOD 80
0 C 40	59.68.0129	1	pce	2u2	0 D 44	50.60.8001	1	pce	4448	200mA 75V 4ns SOD 80
0 C 41	59.68.0113	1	pce	47u	0 D 45	50.60.8001	1	pce	4448	200mA 75V 4ns SOD 80
0 C 42	59.60.3337	1	pce	100n	0 D 46	50.60.8001	1	pce	4448	200mA 75V 4ns SOD 80
0 C 43	59.60.3337	1	pce	100n	0 D 47	50.60.8001	1	pce	4448	200mA 75V 4ns SOD 80
0 C 44	59.68.0129	1	pce	2u2	0 D 48	50.60.8001	1	pce	4448	200mA 75V 4ns SOD 80
0 C 45	59.60.3321	1	pce	4n7	0 D 49	50.60.8001	1	pce	4448	200mA 75V 4ns SOD 80
0 C 46	59.68.0113	1	pce	47u	0 D 50	50.60.8001	1	pce	4448	200mA 75V 4ns SOD 80
0 C 47	59.60.3337	1	pce	100n	0 D 51	50.60.8001	1	pce	4448	200mA 75V 4ns SOD 80
0 C 48	59.60.2233	1	pce	22p	0 D 52	50.60.8001	1	pce	4448	200mA 75V 4ns SOD 80
0 C 49	59.60.2233	1	pce	22p	0 D 53	50.60.8001	1	pce	4448	200mA 75V 4ns SOD 80
0 C 50	59.68.0129	1	pce	2u2	0 D 54	50.60.8001	1	pce	4448	200mA 75V 4ns SOD 80
0 C 51	59.60.2361	1	pce	330p	0 D 55	50.60.8001	1	pce	4448	200mA 75V 4ns SOD 80
0 C 52	59.68.0069	1	pce	47u	0 D 56	50.60.8001	1	pce	4448	200mA 75V 4ns SOD 80
0 C 53	59.60.3321	1	pce	4n7	0 D 57	50.60.8001	1	pce	4448	200mA 75V 4ns SOD 80
0 C 54	59.60.3337	1	pce	100n	0 D 58	50.60.8001	1	pce	4448	200mA 75V 4ns SOD 80
0 C 55	59.68.0069	1	pce	47u	0 D 59	50.60.9402	1	pce	yel	SMD LED yellow
0 C 56	59.60.3905	1	pce	10u	0 DL 2	50.60.9402	1	pce	yel	SMD LED yellow
0 C 57	59.60.3905	1	pce	10u	0 DL 3	50.60.9402	1	pce	yel	SMD LED yellow
0 C 58	59.60.3321	1	pce	4n7	0 DL 4	50.60.9402	1	pce	yel	SMD LED yellow
0 C 59	59.60.3337	1	pce	100n	0 DL 5	50.04.2860	1	pce	gm/red	LED Ring
0 C 60	59.68.0113	1	pce	47u	0 DL 6	50.60.9402	1	pce	yel	SMD LED yellow
0 C 61	59.68.0113	1	pce	47u	0 DL 7	50.60.9402	1	pce	yel	SMD LED yellow
0 C 62	59.68.0069	1	pce	47u	0 DL 8	50.60.9402	1	pce	yel	SMD LED yellow
0 C 63	59.68.0069	1	pce	47u	0 DL 9	50.60.9401	1	pce	red	SMD LED superred
0 C 64	59.60.3337	1	pce	100n	0 DL 10	50.60.9401	1	pce	red	SMD LED superred
0 C 65	59.60.3906	1	pce	47u	0 DL 11	50.60.9401	1	pce	red	SMD LED superred
0 C 66	59.60.3906	1	pce	47u	0 DL 12	50.60.9402	1	pce	yel	SMD LED yellow
0 C 67	59.60.3906	1	pce	47u	0 DL 13	50.60.9401	1	pce	red	SMD LED superred
0 C 68	59.60.3906	1	pce	47u	0 DL 14	50.60.9417	1	pce	gm	SMD LED 1.25*2.0
0 C 69	59.60.3906	1	pce	47u	0 DL 15	50.60.9417	1	pce	gm	SMD LED 1.25*2.0
0 C 70	59.60.3906	1	pce	47u	0 DL 16	50.60.9402	1	pce	yel	SMD LED yellow
0 C 71	59.60.3906	1	pce	47u	0 DL 17	50.04.2860	1	pce	gm/red	LED Ring
0 C 72	59.60.3906	1	pce	47u	0 DL 18	50.60.9402	1	pce	yel	SMD LED yellow
0 C 73	59.60.3321	1	pce	4n7	0 DL 19	50.60.9402	1	pce	yel	SMD LED yellow
0 C 74	59.60.3337	1	pce	100n	0 DL 20	50.60.9402	1	pce	yel	SMD LED yellow
0 C 75	59.60.3337	1	pce	100n	0 DL 21	50.60.9401	1	pce	red	SMD LED superred
0 C 76	59.60.3337	1	pce	100n	0 DL 22	50.60.9401	1	pce	red	SMD LED superred
0 C 77	59.60.3337	1	pce	100n	0 DL 23	50.60.9401	1	pce	red	SMD LED superred
0 C 78	59.60.3337	1	pce	100n	0 DL 24	50.60.9402	1	pce	yel	SMD LED yellow
0 C 79	59.60.3321	1	pce	4n7	0 DL 25	50.60.9402	1	pce	yel	SMD LED yellow
0 C 80	59.60.3321	1	pce	4n7	0 DL 26	50.60.9402	1	pce	yel	SMD LED yellow
0 C 81	59.60.3337	1	pce	100n	0 DL 27	50.60.9402	1	pce	yel	SMD LED yellow
0 C 82	59.60.3321	1	pce	4n7	0 DL 28	50.60.9402	1	pce	yel	SMD LED yellow
0 C 83	59.60.3337	1	pce	100n	0 DL 29	50.60.9402	1	pce	yel	SMD LED yellow
0 C 84	59.60.3337	1	pce	100n	0 DL 30	50.60.9402	1	pce	yel	SMD LED yellow
0 C 85	59.60.3337	1	pce	100n	0 DL 31	50.60.9402	1	pce	yel	SMD LED yellow
0 C 86	59.60.3321	1	pce	4n7	0 DL 32	50.60.9402	1	pce	yel	SMD LED yellow
0 C 87	59.60.3337	1	pce	100n	0 DL 33	50.60.9402	1	pce	yel	SMD LED yellow
0 C 88	59.60.3337	1	pce	100n	0 DL 34	50.60.9402	1	pce	yel	SMD LED yellow
0 C 89	59.60.3337	1	pce	100n	0 DL 35	50.60.9402	1	pce	yel	SMD LED yellow
0 C 90	59.60.3337	1	pce	100n	0 DL 36	50.60.9402	1	pce	yel	SMD LED yellow
0 C 91	59.60.3337	1	pce	100n	0 DL 37	50.60.9402	1	pce	yel	SMD LED yellow
0 C 92	59.60.3337	1	pce	100n	0 DL 38	50.60.9402	1	pce	yel	SMD LED yellow
0 C 93	59.60.3337	1	pce	100n	0 DL 39	50.60.9402	1	pce	yel	SMD LED yellow
0 C 94	59.60.3337	1	pce	100n	0 DL 40	50.60.9417	1	pce	gm	SMD LED 1.25*2.0
0 C 95	59.60.3337	1	pce	100n	0 DL 41	50.60.9402	1	pce	yel	SMD LED yellow
0 C 96	59.60.3337	1	pce	100n	0 DL 42	50.60.9402	1	pce	yel	SMD LED yellow
0 C 97	59.60.3337	1	pce	100n	0 DL 43	50.60.9402	1	pce	yel	SMD LED yellow
0 C 98	59.60.3337	1	pce	100n	0 DL 44	50.60.9402	1	pce	yel	SMD LED yellow
0 D 1	50.60.8901	1	pce	BAV99	0 IC 1	50.61.2006	1	pce	L5970D	Step down switching regulator
0 D 2	50.60.8901	1	pce	BAV99	0 IC 2	50.61.2004	1	pce	TPS 5103	Sync step down converter
0 D 3	50.60.8103	1	pce	SS14	0 IC 3	50.61.2006	1	pce	L5970D	Step down switching regulator
0 D 4	50.60.8101	1	pce	BAS85	0 IC 4	50.09.0124	1	pce	DRV134	Audio balanced line driver
					0 IC 5	50.63.0217	1	pce	ISP 1520	4-fach USB hub

Studio Monitor Front PCB 1.949.836.00 (1)

Idx.	Pos.	Part No.	Qty.	Type/Val.	Description	Idx.	Pos.	Part No.	Qty.	Type/Val.	Description		
0	IC 6	50.61.2003	1	pce	LM1117	0	R 29	57.60.1561	1	pce	560R	MF, 1%, 0204, E24	
0	IC 7	50.61.0102	1	pce	INA 163	0	R 30	57.60.1103	1	pce	10k	MF, 1%, 0204, E24	
0	IC 8	50.62.1014	1	pce	74HC 14	0	R 31	57.60.1102	1	pce	1k0	MF, 1%, 0204, E24	
0	IC 9	50.61.9001	1	pce	LM393	0	R 32	57.60.1103	1	pce	10k	MF, 1%, 0204, E24	
0	IC 10	73.01.0305	1	pce	Bargraph	0	R 33				not used	1 pce 10k	MF, 1%, 0204, E24
0	IC 11	73.01.0305	1	pce	Bargraph	0	R 34	57.60.1104	1	pce	100k	MF, 1%, 0204, E24	
0	IC 12	73.01.0409	1	pce	8character	0	R 35	57.60.1104	1	pce	100k	MF, 1%, 0204, E24	
0	IC 13	73.01.0409	1	pce	8character	0	R 36	57.60.1332	1	pce	3k3	MF, 1%, 0204, E24	
0	IC 14	50.62.1595	1	pce	74HC595	0	R 37	57.60.1102	1	pce	1k0	MF, 1%, 0204, E24	
0	IC 15	50.62.1595	1	pce	74HC595	0	R 38	57.69.2002	1	pce	6k8	MF 0.1% 25ppm 0204	
0	IC 16	50.62.1014	1	pce	74HC 14	0	R 39	57.69.2002	1	pce	6k8	MF 0.1% 25ppm 0204	
0	IC 17	50.62.1165	1	pce	74HC165	0	R 40	57.60.1561	1	pce	560R	MF, 1%, 0204, E24	
0	IC 18	50.62.1595	1	pce	74HC595	0	R 41	57.60.1153	1	pce	15k	MF, 1%, 0204, E24	
0	IC 19	50.62.1004	1	pce	74HC 04	0	R 42	57.60.1153	1	pce	15k	MF, 1%, 0204, E24	
0	IC 20	50.62.3139	1	pce	74HCT139	0	R 43	57.60.1221	1	pce	220R	MF, 1%, 0204, E24	
0	IC 21	50.62.3139	1	pce	74HCT139	0	R 44	57.60.1221	1	pce	220R	MF, 1%, 0204, E24	
0	IC 22	50.62.1014	1	pce	74HC 14	0	R 45	57.60.1102	1	pce	1k0	MF, 1%, 0204, E24	
0	IC 23	50.62.1595	1	pce	74HC595	0	R 46	57.60.1561	1	pce	560R	MF, 1%, 0204, E24	
0	IC 24	50.62.1595	1	pce	74HC595	0	R 47	57.60.1393	1	pce	39k	MF, 1%, 0204, E24	
0	IC 25	50.62.1165	1	pce	74HC165	0	R 48	57.60.1153	1	pce	15k	MF, 1%, 0204, E24	
0	L 1	62.60.0518	1	pce	47uH	0	R 49	57.60.1153	1	pce	15k	MF, 1%, 0204, E24	
0	L 2	62.60.0518	1	pce	47uH	0	R 50	57.60.1109	1	pce	1R0	MF, 1%, 0204, E24	
0	L 3	62.60.0510	1	pce	10uH	0	R 51	57.60.1109	1	pce	1R0	MF, 1%, 0204, E24	
0	L 4	62.60.0101	1	pce	1u0	0	R 52	57.60.1109	1	pce	1R0	MF, 1%, 0204, E24	
0	L 5	62.60.0101	1	pce	1u0	0	R 53	57.60.1109	1	pce	1R0	MF, 1%, 0204, E24	
0	MP 1	1.949.836.12	1	pce		0	R 54	57.60.1561	1	pce	560R	MF, 1%, 0204, E24	
0	MP 2	1.949.836.10	1	pce		0	R 55	57.60.1221	1	pce	220R	MF, 1%, 0204, E24	
0	MP 3	43.01.0108	1	pce	Label	0	R 56	57.60.1221	1	pce	220R	MF, 1%, 0204, E24	
0	MP 4	65.99.0189	4	pce		0	R 57	57.60.1561	1	pce	560R	MF, 1%, 0204, E24	
					26 MM	0	R 58	57.60.1154	1	pce	150k	MF, 1%, 0204, E24	
0	MP 5	50.60.9411	1	pce	d3	0	R 59	57.60.1104	1	pce	100k	MF, 1%, 0204, E24	
0	MP 6	21.53.9354	2	pce	M3*6	0	R 60	57.60.1154	1	pce	150k	MF, 1%, 0204, E24	
0	MP 7	27.10.1308	2	pce	M3*8	0	R 61	57.60.1104	1	pce	100k	MF, 1%, 0204, E24	
0	MP 8	21.51.2353	2	pce	M3*5	0	R 62	57.60.1104	1	pce	100k	MF, 1%, 0204, E24	
0	MP 9	1.949.836.01	1	pce		0	R 63	57.60.1223	1	pce	22k	MF, 1%, 0204, E24	
0	P 1	54.21.2223	1	pce	3p	0	R 64	57.60.1335	1	pce	3M3	MF, 1%, 0204, E24	
0	P 2	54.20.1104	1	pce	4p	0	R 65	57.69.1000	1	pce	0R0	CF 5% 0603	
0	P 3	54.14.2015	1	pce	50p	0	R 66	57.60.1569	1	pce	5R6	MF, 1%, 0204, E24	
0	P 4	54.20.1102	1	pce	4p	0	R 67	57.60.1471	1	pce	470R	MF, 1%, 0204, E24	
0	Q 1	50.60.0050	1	pce	BC817-25	0	R 68	57.60.1471	1	pce	470R	MF, 1%, 0204, E24	
0	Q 2	50.60.0001	1	pce	BC847B	0	R 69	57.60.1471	1	pce	470R	MF, 1%, 0204, E24	
0	Q 3	50.60.0120	1	pce	BCP54-16	0	R 70	57.60.1103	1	pce	10k	MF, 1%, 0204, E24	
0	Q 4	50.60.2202	1	pce	FDB7030	0	R 71	57.60.1104	1	pce	100k	MF, 1%, 0204, E24	
0	Q 5	50.60.2202	1	pce	FDB7030	0	R 72	57.60.1103	1	pce	10k	MF, 1%, 0204, E24	
0	Q 6	50.60.1050	1	pce	BC807-25	0	R 73	57.60.1104	1	pce	100k	MF, 1%, 0204, E24	
1	Q 7				not used	1	R 74	57.60.1103	1	pce	10k	MF, 1%, 0204, E24	
0	Q 8	50.60.0120	1	pce	BCP54-16	0	R 75	57.60.1102	1	pce	1k0	MF, 1%, 0204, E24	
0	Q 9	50.60.0120	1	pce	BCP54-16	0	R 76	57.60.1680	1	pce	68R	MF, 1%, 0204, E24	
0	Q 10	50.60.1120	1	pce	BCP51-16	0	R 77	57.60.1102	1	pce	1k0	MF, 1%, 0204, E24	
0	Q 11	50.60.1120	1	pce	BCP51-16	0	R 78	57.60.1680	1	pce	68R	MF, 1%, 0204, E24	
0	Q 12	50.60.0001	1	pce	BC847B	0	R 79	57.60.1102	1	pce	1k0	MF, 1%, 0204, E24	
0	Q 13	50.60.0050	1	pce	BC817-25	0	R 80	57.60.1680	1	pce	68R	MF, 1%, 0204, E24	
0	Q 14	50.60.0050	1	pce	BC817-25	0	R 81	57.60.1102	1	pce	1k0	MF, 1%, 0204, E24	
0	Q 15	50.60.0050	1	pce	BC817-25	0	R 82	57.60.1680	1	pce	68R	MF, 1%, 0204, E24	
0	Q 16	50.60.0050	1	pce	BC817-25	0	R 83	57.60.1102	1	pce	1k0	MF, 1%, 0204, E24	
0	Q 17	50.60.0050	1	pce	BC817-25	0	R 84	57.60.1680	1	pce	68R	MF, 1%, 0204, E24	
0	Q 18	50.60.0050	1	pce	BC817-25	0	R 85	57.60.1102	1	pce	1k0	MF, 1%, 0204, E24	
0	Q 19	50.60.0050	1	pce	BC817-25	0	R 86	57.60.1680	1	pce	68R	MF, 1%, 0204, E24	
0	Q 20	50.60.0050	1	pce	BC817-25	0	R 87	57.60.1102	1	pce	1k0	MF, 1%, 0204, E24	
0	Q 21	50.60.1101	1	pce	FMMT717	0	R 88	57.60.1680	1	pce	68R	MF, 1%, 0204, E24	
0	Q 22	50.60.1101	1	pce	FMMT717	0	R 89	57.60.1102	1	pce	1k0	MF, 1%, 0204, E24	
0	Q 23	50.60.1101	1	pce	FMMT717	0	R 90	57.60.1680	1	pce	68R	MF, 1%, 0204, E24	
0	Q 24	50.60.1101	1	pce	FMMT717	0	R 91	57.60.1471	1	pce	470R	MF, 1%, 0204, E24	
0	Q 25	50.60.1101	1	pce	FMMT717	0	R 92	57.60.1471	1	pce	470R	MF, 1%, 0204, E24	
0	Q 26	50.60.1101	1	pce	FMMT717	0	R 93	57.60.1471	1	pce	470R	MF, 1%, 0204, E24	
0	Q 27	50.60.1101	1	pce	FMMT717	0	R 94	57.60.1471	1	pce	470R	MF, 1%, 0204, E24	
0	Q 28	50.60.1101	1	pce	FMMT717	0	R 95	57.60.1471	1	pce	470R	MF, 1%, 0204, E24	
0	Q 29	50.60.0050	1	pce	BC817-25	0	R 96	57.60.1471	1	pce	470R	MF, 1%, 0204, E24	
0	Q 30	50.60.0050	1	pce	BC817-25	0	R 97	57.60.1471	1	pce	470R	MF, 1%, 0204, E24	
0	Q 31	50.60.0050	1	pce	BC817-25	0	R 98	57.60.1471	1	pce	470R	MF, 1%, 0204, E24	
0	Q 32	50.60.0050	1	pce	BC817-25	0	R 99	57.60.1270	1	pce	27R	MF, 1%, 0204, E24	
0	Q 33	50.60.0050	1	pce	BC817-25	0	R 100	57.60.1470	1	pce	47R	MF, 1%, 0204, E24	
0	Q 34	50.60.0050	1	pce	BC817-25	0	R 101	57.60.1270	1	pce	27R	MF, 1%, 0204, E24	
0	Q 35	50.60.0050	1	pce	BC817-25	0	R 102	57.60.1102	1	pce	1k0	MF, 1%, 0204, E24	
0	Q 36	50.60.0050	1	pce	BC817-25	0	R 103	57.60.1270	1	pce	27R	MF, 1%, 0204, E24	
0	R 1	57.60.1102	1	pce	1k0	0	R 104	57.60.1104	1	pce	100k	MF, 1%, 0204, E24	
0	R 2	57.60.1472	1	pce	4k7	0	R 105	57.60.1103	1	pce	10k	MF, 1%, 0204, E24	
0	R 3	57.60.1102	1	pce	1k0	0	R 106	57.60.1103	1	pce	10k	MF, 1%, 0204, E24	
0	R 4	57.60.1333	1	pce	3k3	0	R 107	57.60.1104	1	pce	100k	MF, 1%, 0204, E24	
0	R 5	57.60.1222	1	pce	2k2	0	R 108	57.60.1102	1	pce	1k0	MF, 1%, 0204, E24	
0	R 6	57.60.1472	1	pce	4k7	0	R 109	57.60.1121	1	pce	120R	MF, 1%, 0204, E24	
0	R 7	57.60.1104	1	pce	100k	0	R 110	57.60.1102	1	pce	1k0	MF, 1%, 0204, E24	
0	R 8	57.60.1823	1	pce	82k	0	R 111	57.60.1680	1	pce	68R	MF, 1%, 0204, E24	
0	R 9	57.60.1222	1	pce	2k2	0	R 112	57.60.1102	1	pce	1k0	MF, 1%, 0204, E24	
0	R 10	57.60.1563	1	pce	56k	0	R 113	57.60.1270	1	pce	27R	MF, 1%, 0204, E24	
0	R 11	57.60.1472	1	pce	4k7	0	R 114	57.60.1270	1	pce	27R	MF, 1%, 0204, E24	
0	R 12	57.60.1153	1	pce	15k	0	R 115	57.60.1102	1	pce	1k0	MF, 1%, 0204, E24	
0	R 13	57.60.1332	1	pce	3k3	0	R 116	57.60.1270	1	pce	27R	MF, 1%, 0204, E24	
0	R 14				not used	1	R 117	57.60.1121	1	pce	120R	MF, 1%, 0204, E24	
0	R 15	57.60.1153	1	pce	15k	0	R 118	57.60.1102	1	pce	1k0	MF, 1%, 0204, E24	
0	R 16	57.60.1153	1	pce	15k	0	R 119	57.60.1270	1	pce	27R	MF, 1%, 0204, E24	
0	R 17	57.60.1123	1	pce	12k	0	R 120	57.60.1102	1	pce	1k0	MF, 1%, 0204, E24	
0	R 18	57.60.1152	1	pce	1k5	0	R 121	57.60.1270	1	pce	27R	MF, 1%, 0204, E24	
0	R 19	57.60.1104	1	pce	100k	0	R 122	57.60.1102	1	pce	1k0	MF, 1%, 0204, E24	
0	R 20	57.60.1104	1	pce	100k	0	R 123	57.60.1121	1	pce	120R	MF, 1%, 0204, E24	
0	R 21	57.60.1104	1	pce	100k	0	R 124	57.60.1103	1	pce	10k	MF, 1%, 0204, E24	
0	R 22	57.60.1563	1	pce	56k	0	R 125	57.60.1103	1	pce	10k	MF, 1%, 0204, E24	
0	R 23	57.60.1229	1	pce</									

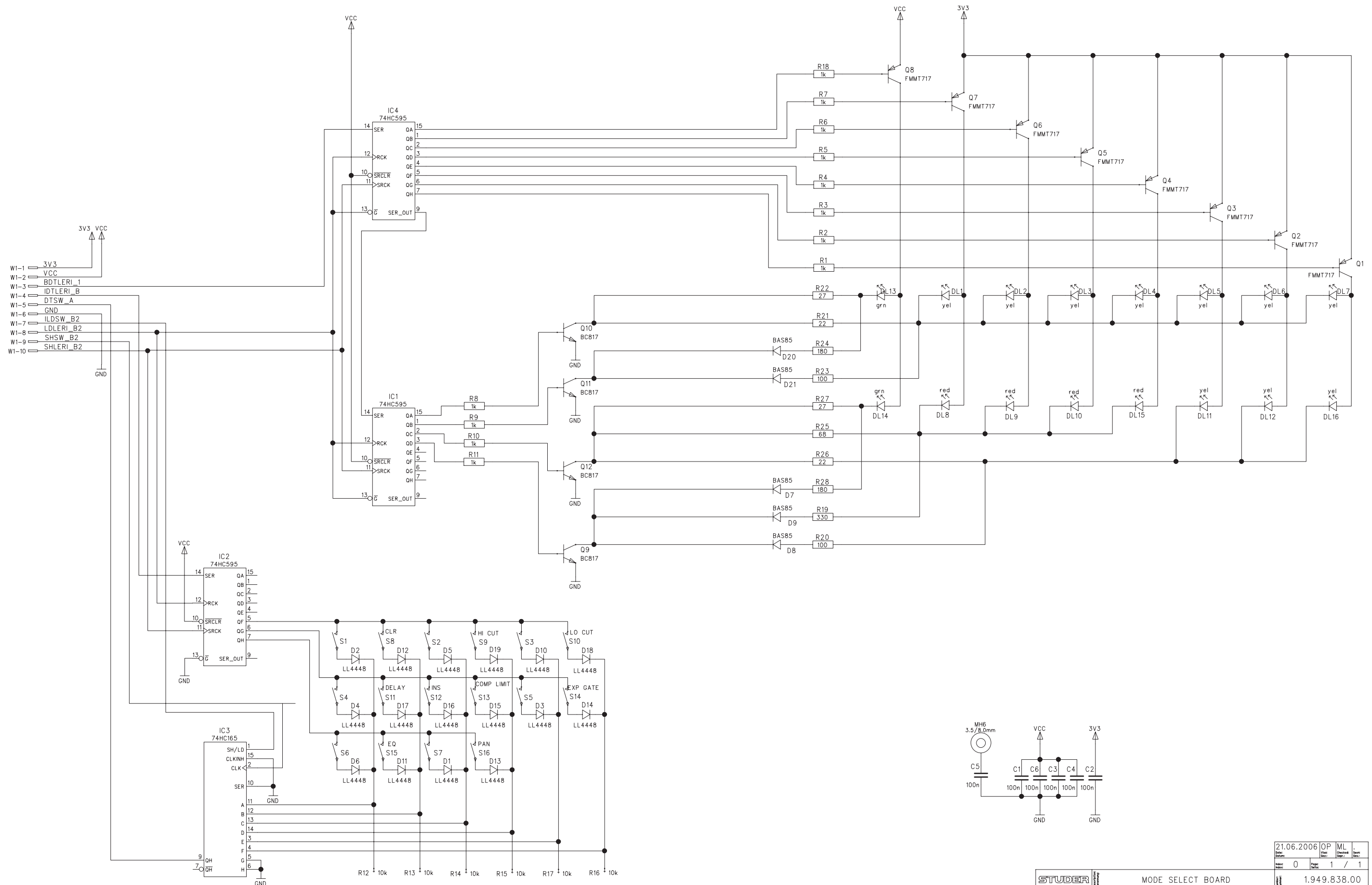
Studio Monitor Front PCB 1.949.836.00 (1)

Idx. Pos.	Part No.	Qty.	Type/Val.	Description	Idx. Pos.	Part No.	Qty.	Type/Val.	Description
0	R 132	57.60.1103	1 pce	10k					
0	R 133	57.60.1470	1 pce	47R					
0	RA 1	58.20.7102	1 pce	10k					
0	RA 2	58.01.8101	1 pce	100R					
0	S 3	55.12.1304	1 pce	N=18					
0	S 15	55.12.1304	1 pce	N=18					
0	W 1	1.023.311.06	1 pce						FLACHKABEL 16 POL. 0,26M
0	W 2	1.949.836.93	1 pce						LL STUDIO MONITOR
0	W 3	1.023.115.06	1 pce						FLACHKABEL 50 POL. 0,08 M
0	XIC 12	53.03.0218	26 pcs	1p					single-in-line
0	XIC 13	53.03.0218	26 pcs	1p					single-in-line
0	Y 1	89.60.1003	1 pce	12.000MHz					SMD Quartz

End of List

Comments:

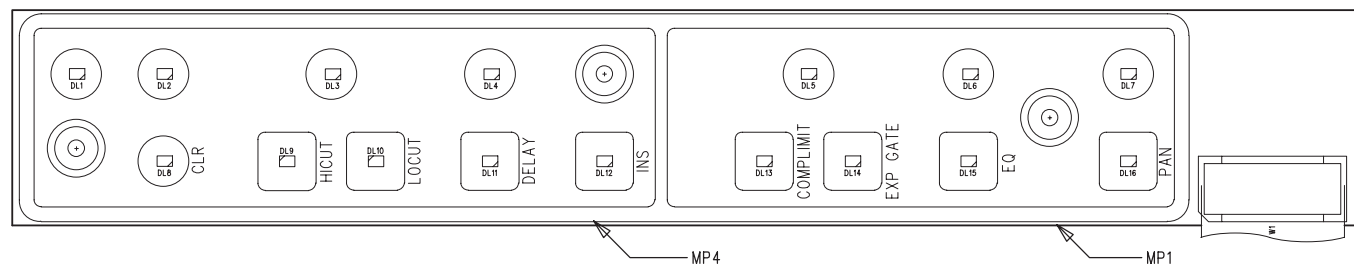
- (00) 29.06.06 ZT
- (01) 29.09.06 Q7 not used



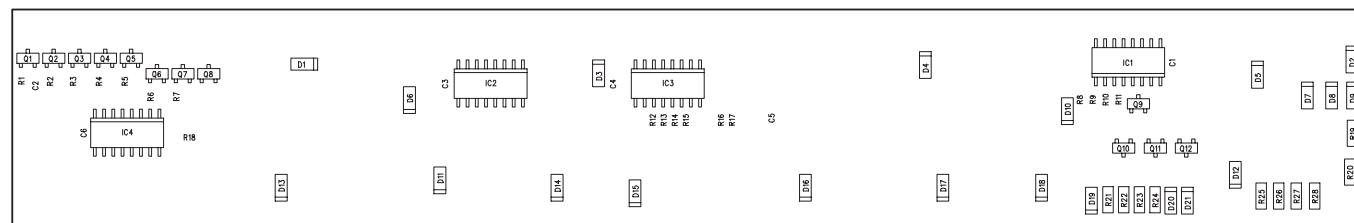
21.06.2006	OP	IML	.
Date:	Drawn:	Check:	Drawn:
0	1	1	1
Page:	Sheet:	of:	of:

Mode Select PCB 1.949.838.00 (0)

TOP VIEW



BOTTOM VIEW



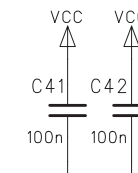
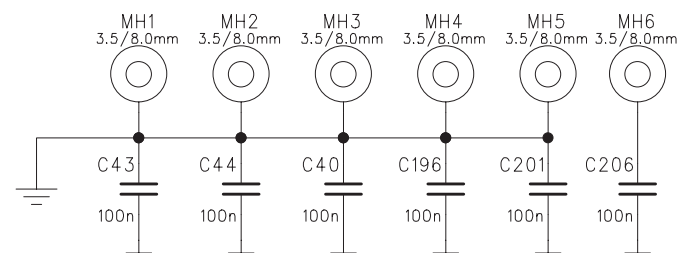
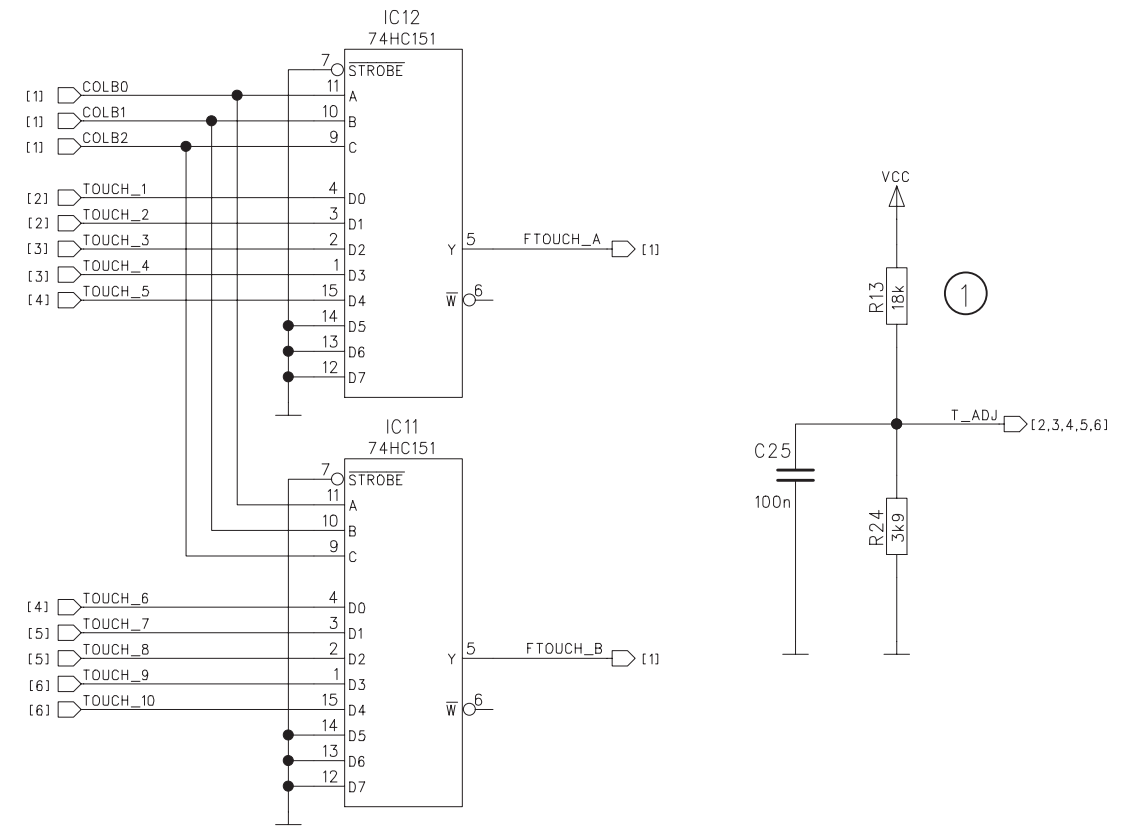
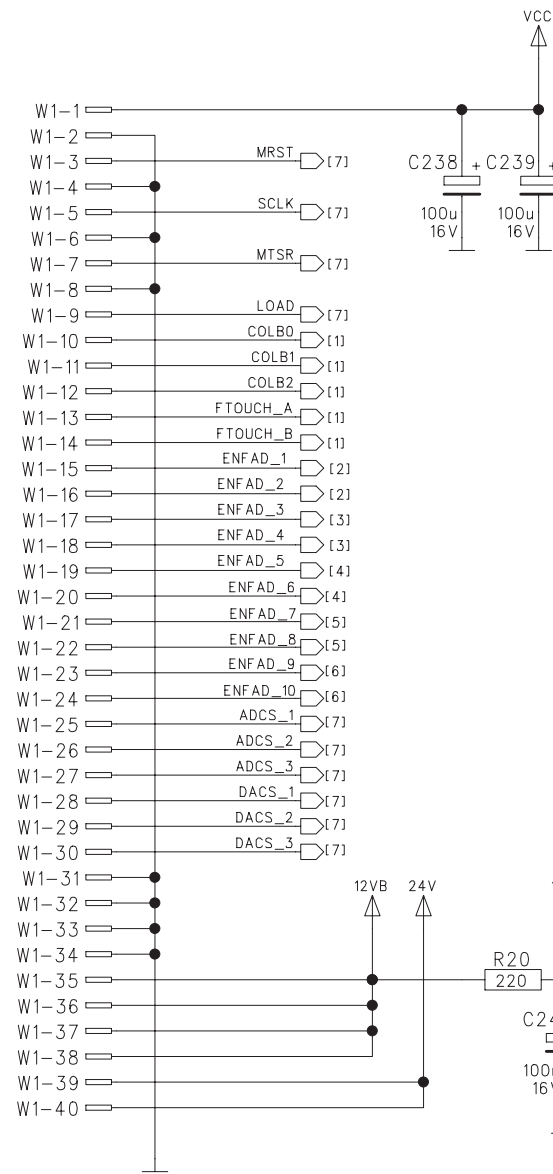
STUDER	MODE SELECT BOARD	21.06.2006	OP	ML	.
		0			
					1.949.838.00

Mode Select PCB 1.949.838.00 (0)

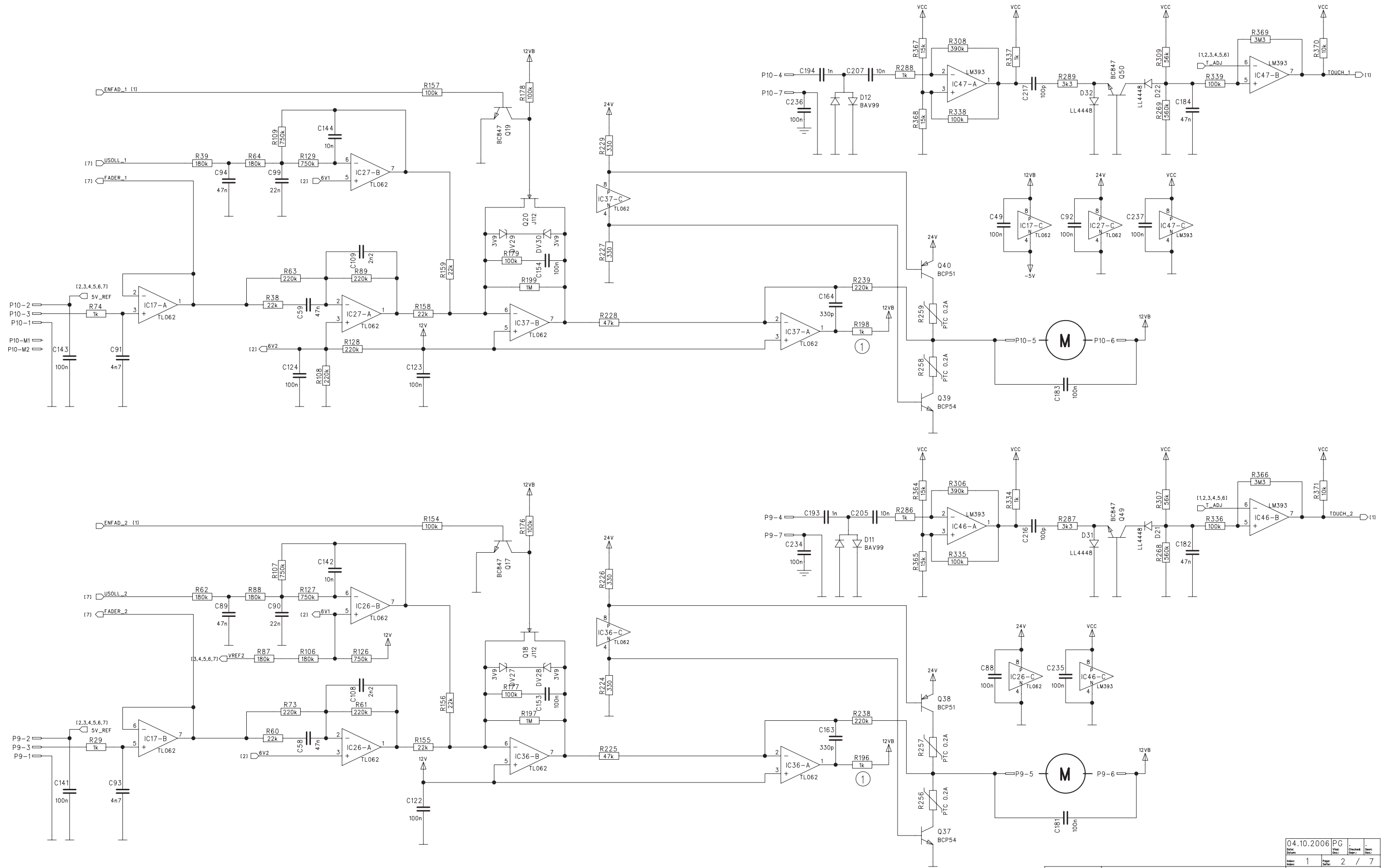
Idx. Pos.	Part No.	Qty.	Type/Val.	Description	Idx. Pos.	Part No.	Qty.	Type/Val.	Description
0 C 1	59.60.3337	1 pce	100n	CER 50V, 10%, X7R, 0805					
0 C 2	59.60.3337	1 pce	100n	CER 50V, 10%, X7R, 0805					
0 C 3	59.60.3337	1 pce	100n	CER 50V, 10%, X7R, 0805					
0 C 4	59.60.3337	1 pce	100n	CER 50V, 10%, X7R, 0805					
0 C 5	59.60.3337	1 pce	100n	CER 50V, 10%, X7R, 0805					
0 C 6	59.60.3337	1 pce	100n	CER 50V, 10%, X7R, 0805					
0 D 1	50.60.8001	1 pce	4448	200mA 75V 4ns SOD 80					
0 D 2	50.60.8001	1 pce	4448	200mA 75V 4ns SOD 80					
0 D 3	50.60.8001	1 pce	4448	200mA 75V 4ns SOD 80					
0 D 4	50.60.8001	1 pce	4448	200mA 75V 4ns SOD 80					
0 D 5	50.60.8001	1 pce	4448	200mA 75V 4ns SOD 80					
0 D 6	50.60.8001	1 pce	4448	200mA 75V 4ns SOD 80					
0 D 7	50.60.8101	1 pce	BAS85	200mA 30V Schottky SOD 80					
0 D 8	50.60.8101	1 pce	BAS85	200mA 30V Schottky SOD 80					
0 D 9	50.60.8101	1 pce	BAS85	200mA 30V Schottky SOD 80					
0 D 10	50.60.8001	1 pce	4448	200mA 75V 4ns SOD 80					
0 D 11	50.60.8001	1 pce	4448	200mA 75V 4ns SOD 80					
0 D 12	50.60.8001	1 pce	4448	200mA 75V 4ns SOD 80					
0 D 13	50.60.8001	1 pce	4448	200mA 75V 4ns SOD 80					
0 D 14	50.60.8001	1 pce	4448	200mA 75V 4ns SOD 80					
0 D 15	50.60.8001	1 pce	4448	200mA 75V 4ns SOD 80					
0 D 16	50.60.8001	1 pce	4448	200mA 75V 4ns SOD 80					
0 D 17	50.60.8001	1 pce	4448	200mA 75V 4ns SOD 80					
0 D 18	50.60.8001	1 pce	4448	200mA 75V 4ns SOD 80					
0 D 19	50.60.8001	1 pce	4448	200mA 75V 4ns SOD 80					
0 D 20	50.60.8101	1 pce	BAS85	200mA 30V Schottky SOD 80					
0 D 21	50.60.8101	1 pce	BAS85	200mA 30V Schottky SOD 80					
0 DL 1	50.60.9402	1 pce	yel	SMD LED yellow					
0 DL 2	50.60.9402	1 pce	yel	SMD LED yellow					
0 DL 3	50.60.9402	1 pce	yel	SMD LED yellow					
0 DL 4	50.60.9402	1 pce	yel	SMD LED yellow					
0 DL 5	50.60.9402	1 pce	yel	SMD LED yellow					
0 DL 6	50.60.9402	1 pce	yel	SMD LED yellow					
0 DL 7	50.60.9402	1 pce	yel	SMD LED yellow					
0 DL 8	50.60.9401	1 pce	red	SMD LED superred					
0 DL 9	50.60.9401	1 pce	red	SMD LED superred					
0 DL 10	50.60.9401	1 pce	red	SMD LED superred					
0 DL 11	50.60.9402	1 pce	yel	SMD LED yellow					
0 DL 12	50.60.9402	1 pce	yel	SMD LED yellow					
0 DL 13	50.60.9417	1 pce	gm	SMD LED 1.25*2.0					
0 DL 14	50.60.9417	1 pce	gm	SMD LED 1.25*2.0					
0 DL 15	50.60.9401	1 pce	red	SMD LED superred					
0 DL 16	50.60.9402	1 pce	yel	SMD LED yellow					
0 IC 1	50.62.1595	1 pce	74HC595	8bit shift/output register					
0 IC 2	50.62.1595	1 pce	74HC595	8bit shift/output register					
0 IC 3	50.62.1165	1 pce	74HC165	8bit shift register					
0 IC 4	50.62.1595	1 pce	74HC595	8bit shift/output register					
0 MP 1	1.949.838.12	1 pce		MODE SELECT PCB					
0 MP 2	1.949.838.10	1 pce		Nr. ETIKETTE 5x20					
0 MP 3	43.01.0108	1 pce	Label	ESE-Warnschild					
0 MP 4	1.949.260.15	1 pce		RUBBER MODE SELECT					
0 Q 1	50.60.1101	1 pce	FMMT717	PNP 12V 1.5A SOT23					
0 Q 2	50.60.1101	1 pce	FMMT717	PNP 12V 1.5A SOT23					
0 Q 3	50.60.1101	1 pce	FMMT717	PNP 12V 1.5A SOT23					
0 Q 4	50.60.1101	1 pce	FMMT717	PNP 12V 1.5A SOT23					
0 Q 5	50.60.1101	1 pce	FMMT717	PNP 12V 1.5A SOT23					
0 Q 6	50.60.1101	1 pce	FMMT717	PNP 12V 1.5A SOT23					
0 Q 7	50.60.1101	1 pce	FMMT717	PNP 12V 1.5A SOT23					
0 Q 8	50.60.1101	1 pce	FMMT717	PNP 12V 1.5A SOT23					
0 Q 9	50.60.0050	1 pce	BC817-25	NPN 45V 800mA SOT23					
0 Q 10	50.60.0050	1 pce	BC817-25	NPN 45V 800mA SOT23					
0 Q 11	50.60.0050	1 pce	BC817-25	NPN 45V 800mA SOT23					
0 Q 12	50.60.0050	1 pce	BC817-25	NPN 45V 800mA SOT23					
0 R 1	57.69.1073	1 pce	1k0	CF 5% 0603					
0 R 2	57.69.1073	1 pce	1k0	CF 5% 0603					
0 R 3	57.69.1073	1 pce	1k0	CF 5% 0603					
0 R 4	57.69.1073	1 pce	1k0	CF 5% 0603					
0 R 5	57.69.1073	1 pce	1k0	CF 5% 0603					
0 R 6	57.69.1073	1 pce	1k0	CF 5% 0603					
0 R 7	57.69.1073	1 pce	1k0	CF 5% 0603					
0 R 8	57.69.1073	1 pce	1k0	CF 5% 0603					
0 R 9	57.69.1073	1 pce	1k0	CF 5% 0603					
0 R 10	57.69.1073	1 pce	1k0	CF 5% 0603					
0 R 11	57.69.1073	1 pce	1k0	CF 5% 0603					
0 R 12	57.69.1097	1 pce	10k	CF 5% 0603					
0 R 13	57.69.1097	1 pce	10k	CF 5% 0603					
0 R 14	57.69.1097	1 pce	10k	CF 5% 0603					
0 R 15	57.69.1097	1 pce	10k	CF 5% 0603					
0 R 16	57.69.1097	1 pce	10k	CF 5% 0603					
0 R 17	57.69.1097	1 pce	10k	CF 5% 0603					
0 R 18	57.69.1073	1 pce	1k0	CF 5% 0603					
0 R 19	57.60.1331	1 pce	330R	MF, 1%, 0204, E24					
0 R 20	57.60.1101	1 pce	100R	MF, 1%, 0204, E24					
0 R 21	57.60.1220	1 pce	22R	MF, 1%, 0204, E24					
0 R 22	57.60.1270	1 pce	27R	MF, 1%, 0204, E24					
0 R 23	57.60.1101	1 pce	100R	MF, 1%, 0204, E24					
0 R 24	57.60.1181	1 pce	180R	MF, 1%, 0204, E24					
0 R 25	57.60.1680	1 pce	68R	MF, 1%, 0204, E24					
0 R 26	57.60.1220	1 pce	22R	MF, 1%, 0204, E24					
0 R 27	57.60.1270	1 pce	27R	MF, 1%, 0204, E24					
0 R 28	57.60.1181	1 pce	180R	MF, 1%, 0204, E24					
0 W 1	1.023.310.05	1 pce		FLACHKABEL 10 POL. 0,10M					

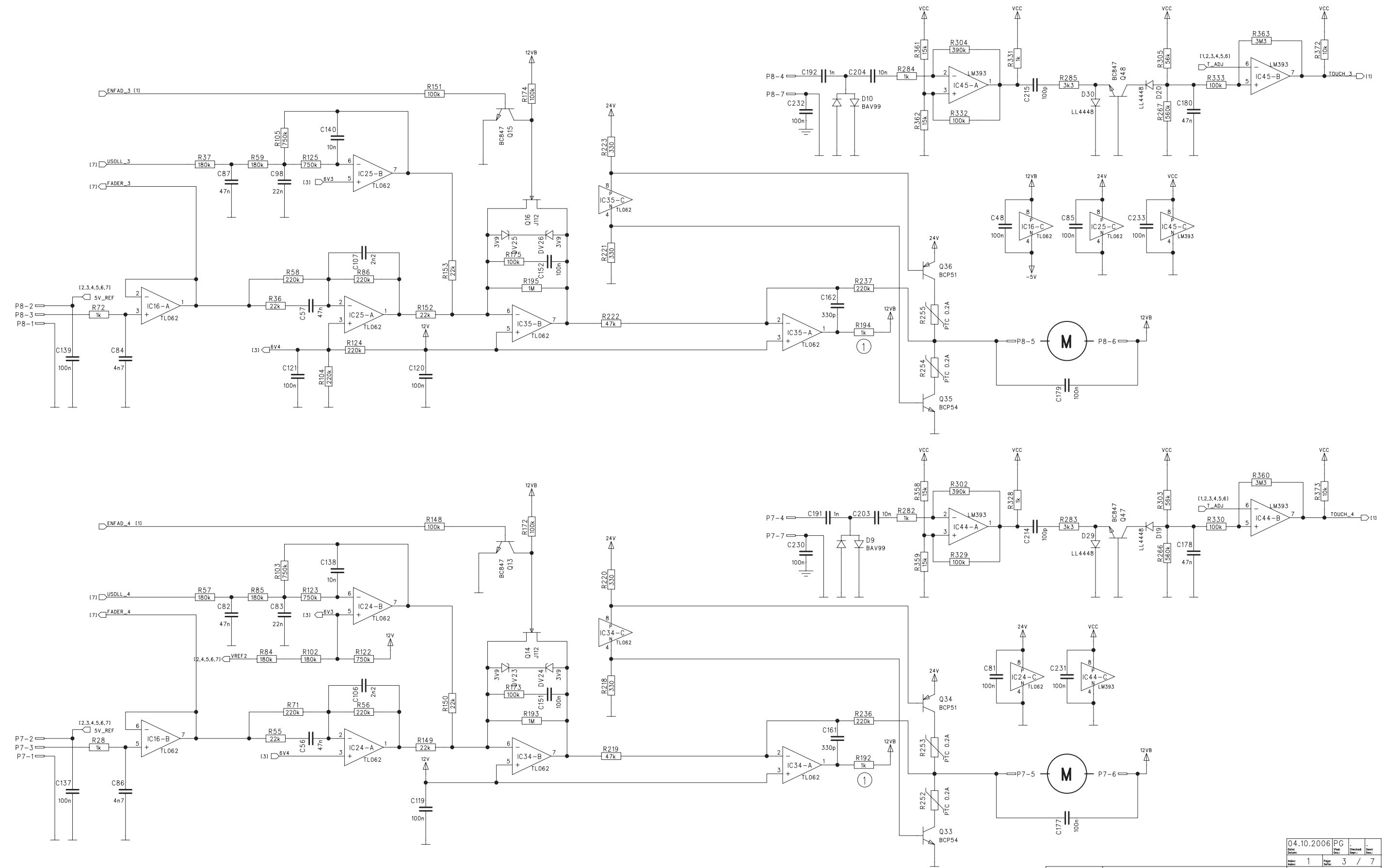
End of List

Comments:



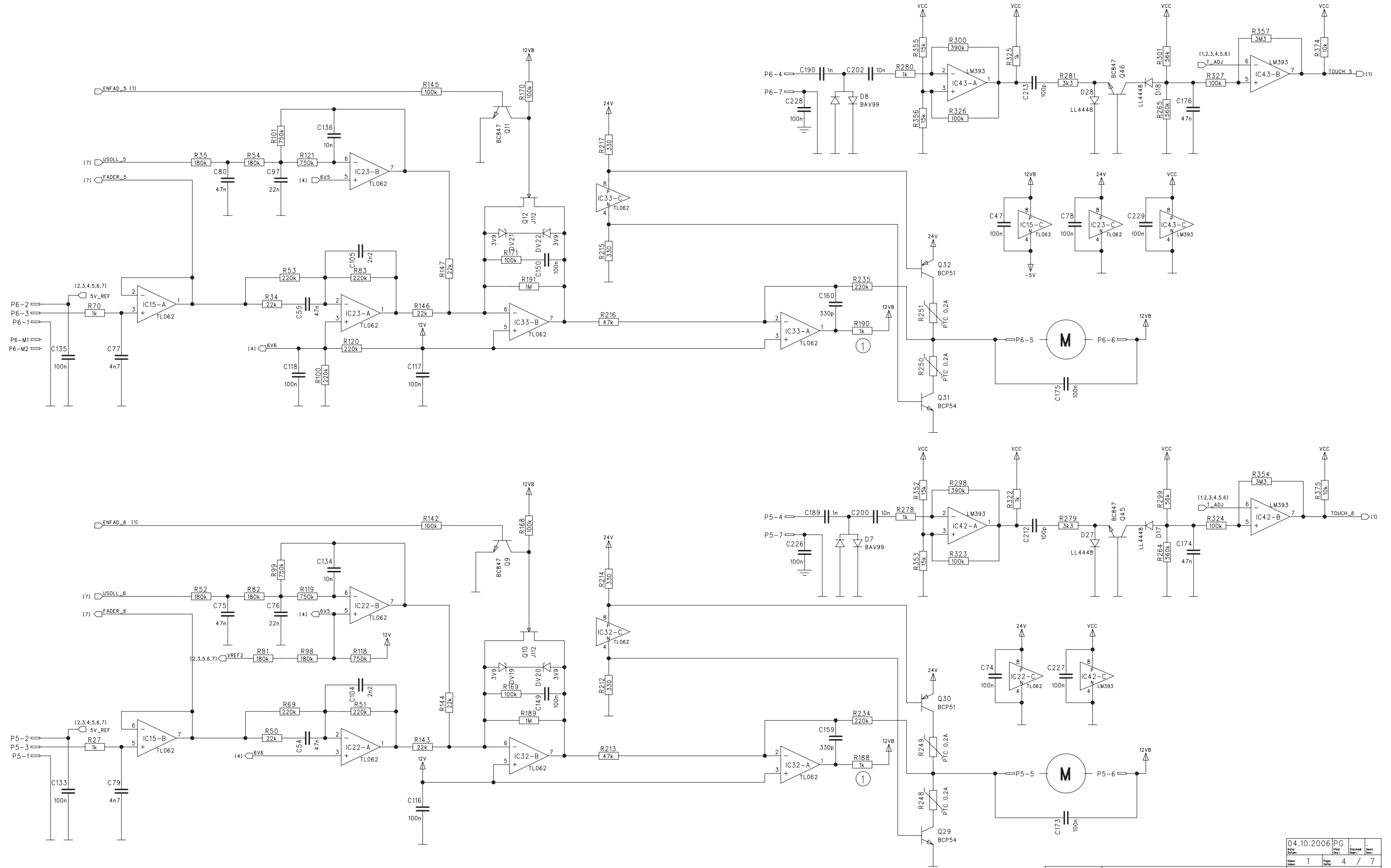
Fader Driver PCB 1.949.840.00 (1)

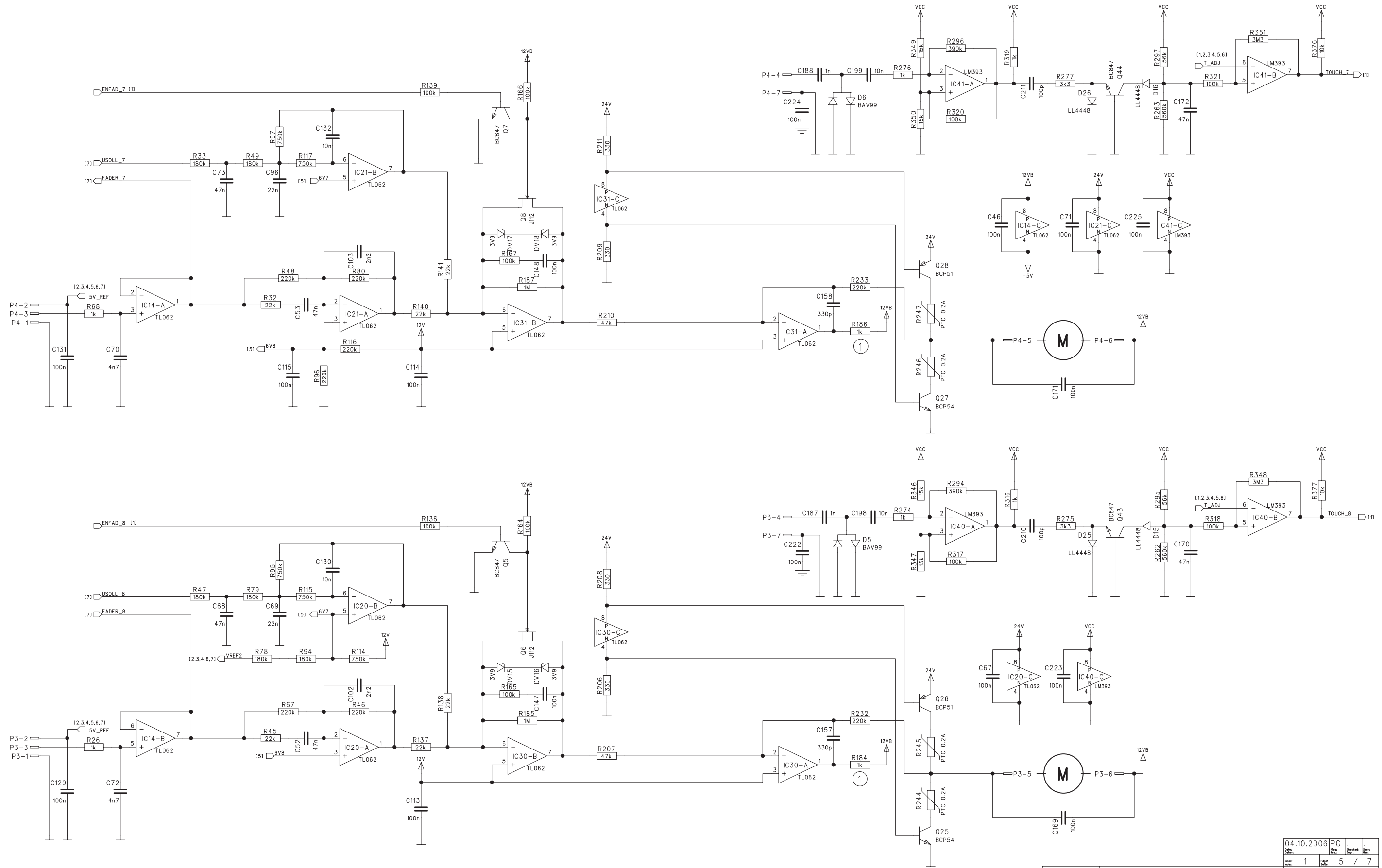




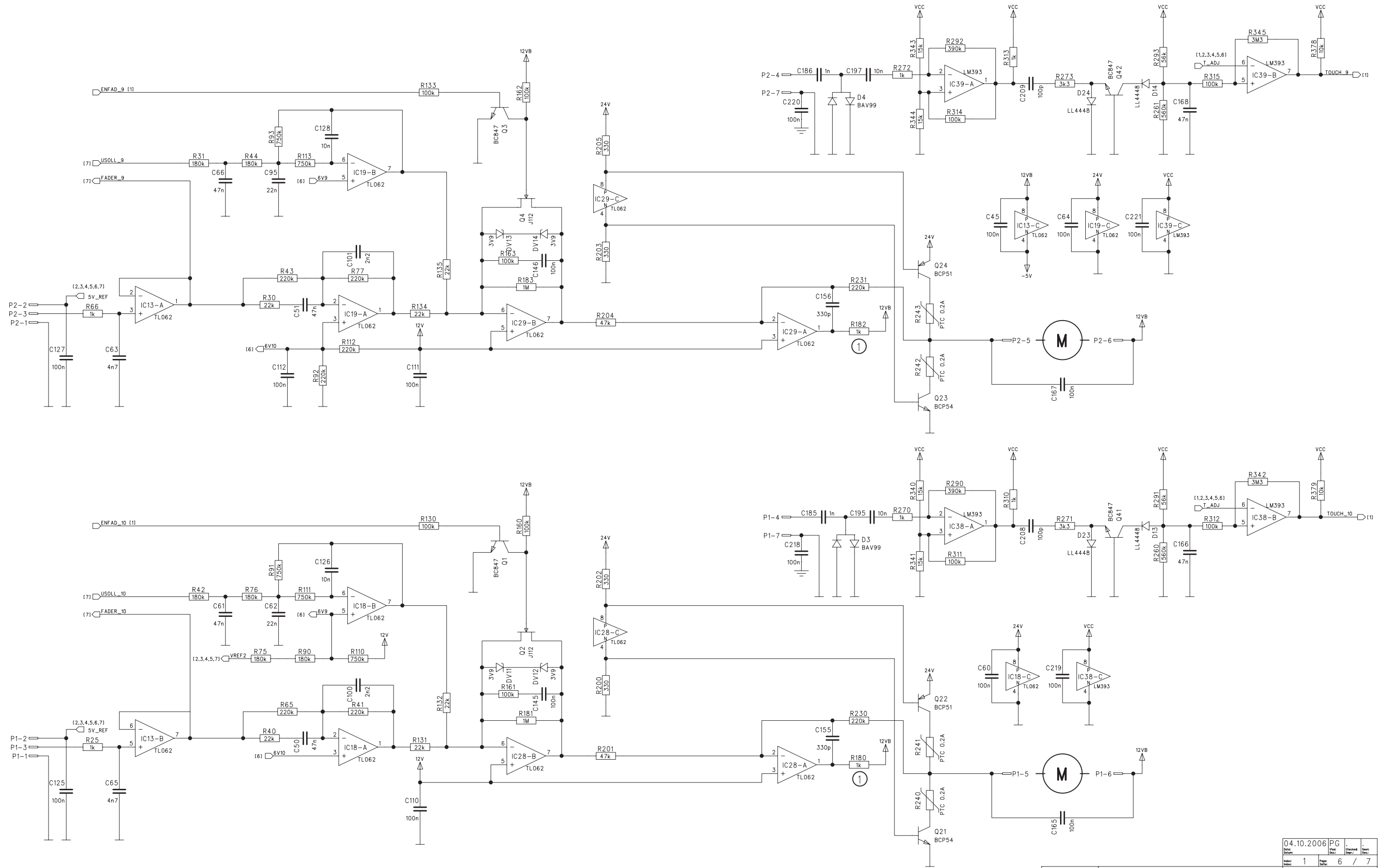
Date:	04.10.2006	PG:	3	of	7
Index:	1	Page:	3	of	7
Index:	1	Page:	3	of	7
Index:	1	Page:	3	of	7

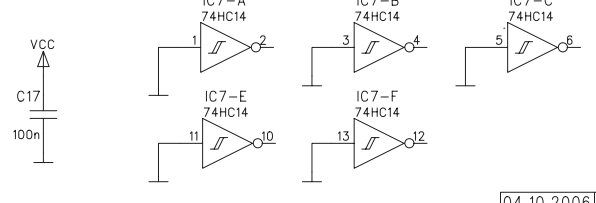
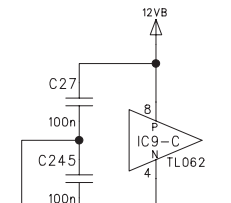
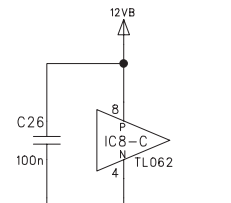
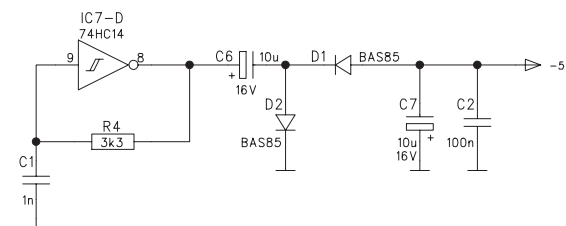
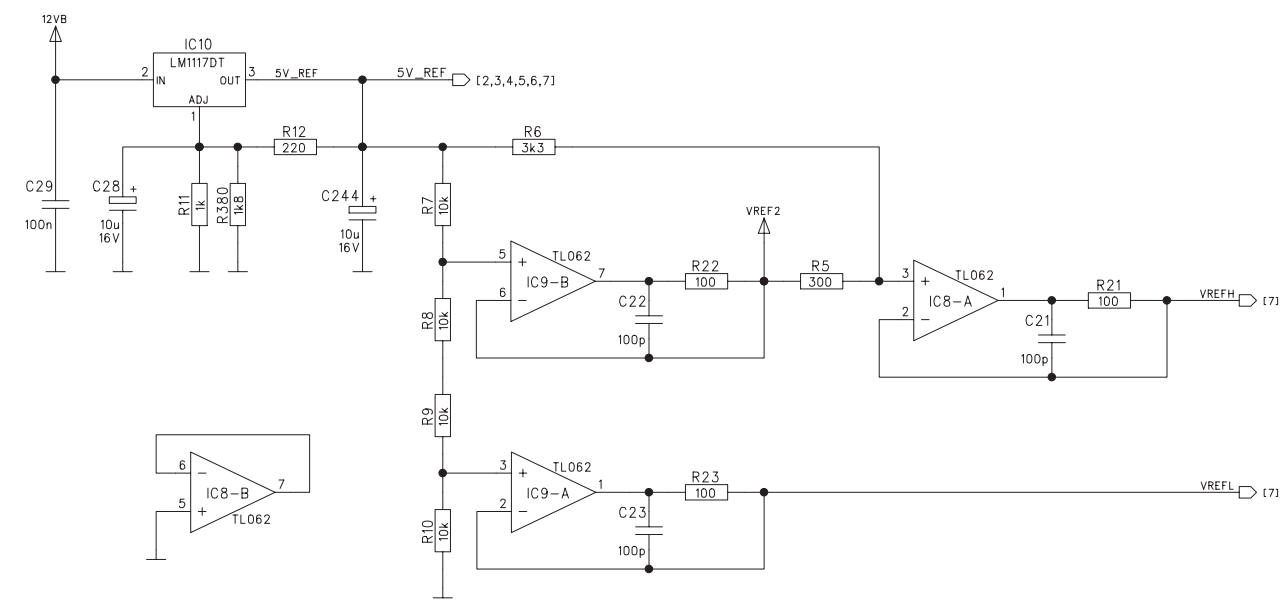
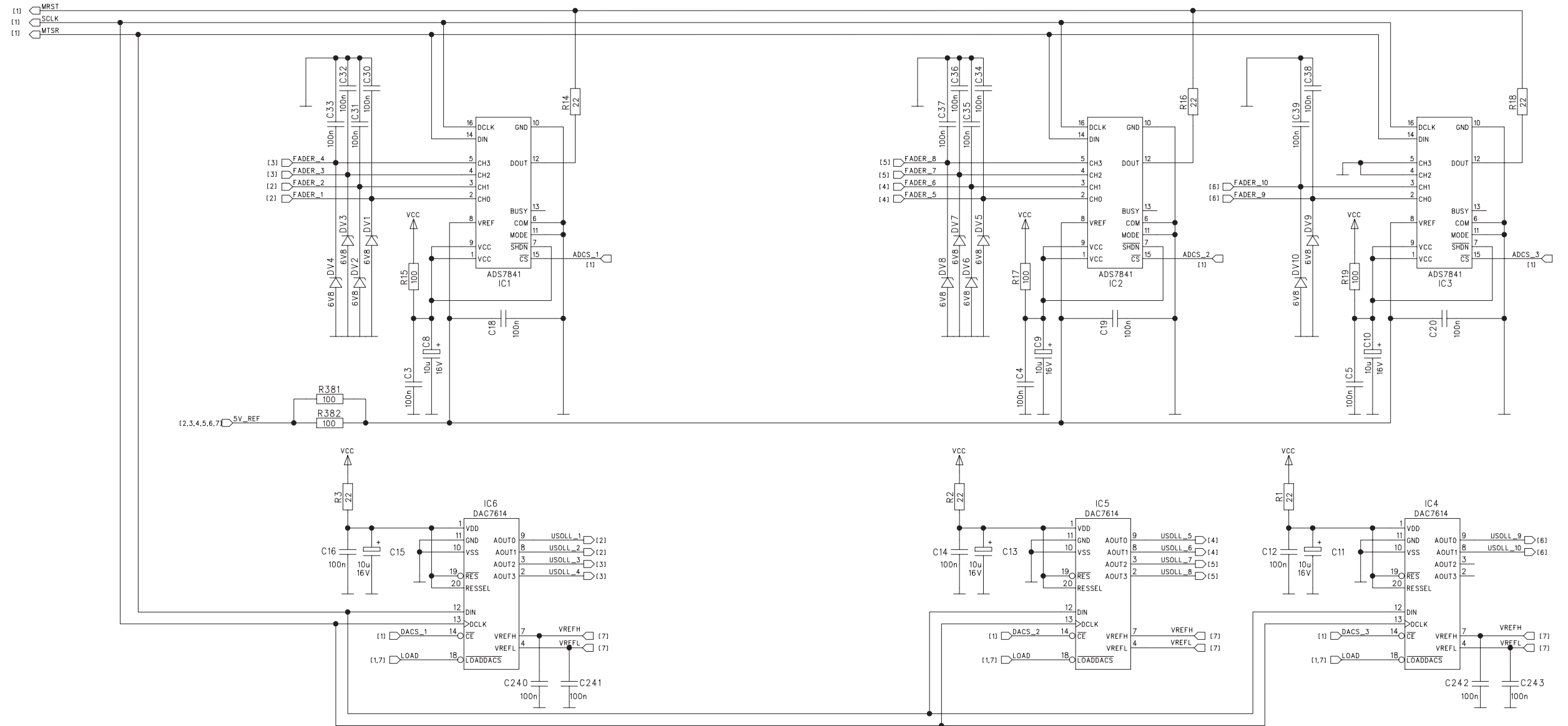
Fader Driver PCB 1.949.840.00 (1)



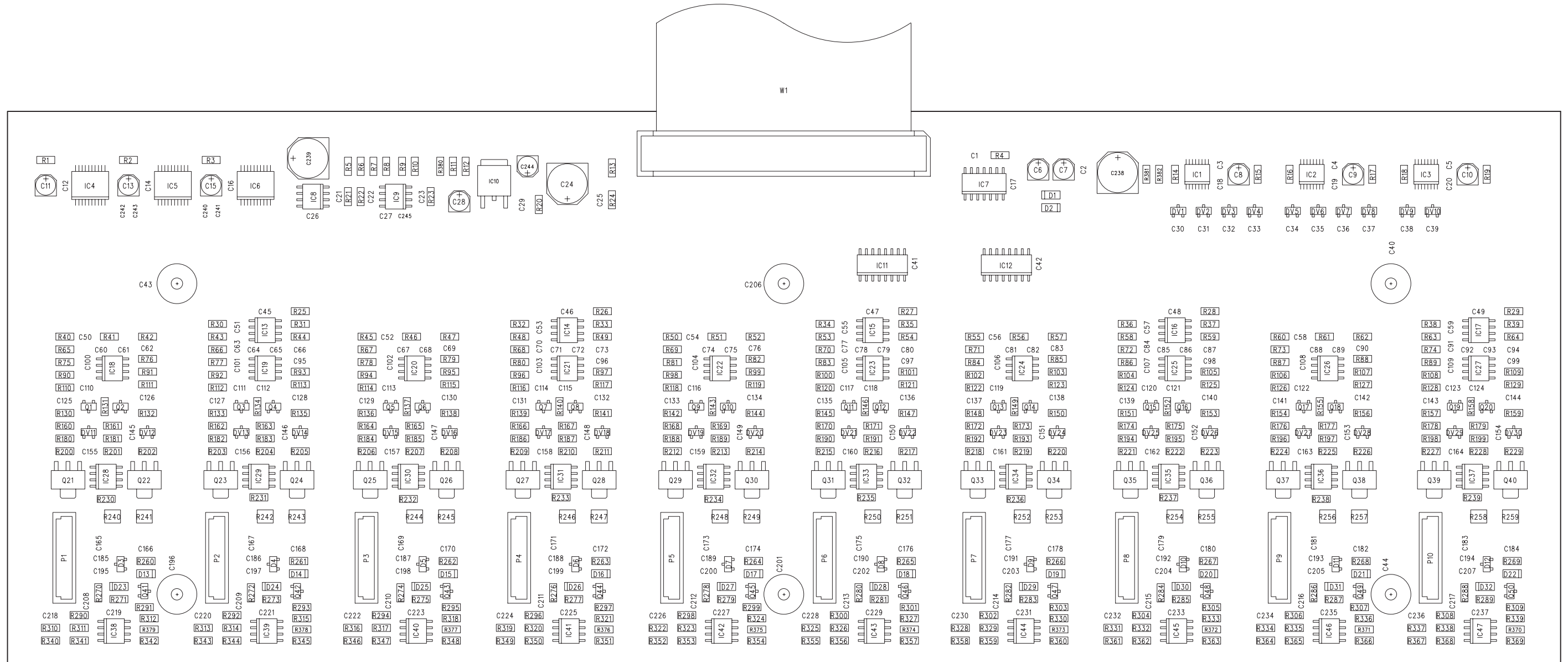


Fader Driver PCB 1.949.840.00 (1)





Fader Driver PCB 1.949.840.00 (1)



MP1

16.06.2006	ZT	ML	HW
0	1	1	1

Fader Driver PCB 1.949.840.00 (1)

Idx. Pos.	Part No.	Qty.	Type/Val.	Description	Idx. Pos.	Part No.	Qty.	Type/Val.	Description
0 C 206	59.60.3337	1 pce	100n	CER 50V, 10%, X7R, 0805	0 IC 2	50.61.8106	1 pce	ADS7841	4*AD Converter 12bit SO 16
0 C 207	59.60.3325	1 pce	10n	CER 50V, 10%, X7R, 0805	0 IC 3	50.61.8106	1 pce	ADS7841	4*AD Converter 12bit SO 16
0 C 208	59.60.2249	1 pce	100p	CER 50V, 5%, C0G, 0603	0 IC 4	50.61.8006	1 pce	DAC7614	4*/D/A Converter 12bit SO 20
0 C 209	59.60.2249	1 pce	100p	CER 50V, 5%, C0G, 0603	0 IC 5	50.61.8006	1 pce	DAC7614	4*/D/A Converter 12bit SO 20
0 C 210	59.60.2249	1 pce	100p	CER 50V, 5%, C0G, 0603	0 IC 6	50.61.8006	1 pce	DAC7614	4*/D/A Converter 12bit SO 20
0 C 211	59.60.2249	1 pce	100p	CER 50V, 5%, C0G, 0603	0 IC 7	50.62.1014	1 pce	74HC 14	Hex Schmitt trigger inverter
0 C 212	59.60.2249	1 pce	100p	CER 50V, 5%, C0G, 0603	0 IC 8	50.61.0201	1 pce	TL062	Dual FET Op-Amp
0 C 213	59.60.2249	1 pce	100p	CER 50V, 5%, C0G, 0603	0 IC 9	50.61.0201	1 pce	TL062	Dual FET Op-Amp
0 C 214	59.60.2249	1 pce	100p	CER 50V, 5%, C0G, 0603	0 IC 10	50.61.2003	1 pce	LM1117	Lin Reg 800mA adj
0 C 215	59.60.2249	1 pce	100p	CER 50V, 5%, C0G, 0603	0 IC 11	50.62.1151	1 pce	74HC151	8 channel multiplexer
0 C 216	59.60.2249	1 pce	100p	CER 50V, 5%, C0G, 0603	0 IC 12	50.62.1151	1 pce	74HC151	8 channel multiplexer
0 C 217	59.60.2249	1 pce	100p	CER 50V, 5%, C0G, 0603	0 IC 13	50.61.0201	1 pce	TL062	Dual FET Op-Amp
0 C 218	59.60.3337	1 pce	100n	CER 50V, 10%, X7R, 0805	0 IC 14	50.61.0201	1 pce	TL062	Dual FET Op-Amp
0 C 219	59.60.3337	1 pce	100n	CER 50V, 10%, X7R, 0805	0 IC 15	50.61.0201	1 pce	TL062	Dual FET Op-Amp
0 C 220	59.60.3337	1 pce	100n	CER 50V, 10%, X7R, 0805	0 IC 16	50.61.0201	1 pce	TL062	Dual FET Op-Amp
0 C 221	59.60.3337	1 pce	100n	CER 50V, 10%, X7R, 0805	0 IC 17	50.61.0201	1 pce	TL062	Dual FET Op-Amp
0 C 222	59.60.3337	1 pce	100n	CER 50V, 10%, X7R, 0805	0 IC 18	50.61.0201	1 pce	TL062	Dual FET Op-Amp
0 C 223	59.60.3337	1 pce	100n	CER 50V, 10%, X7R, 0805	0 IC 19	50.61.0201	1 pce	TL062	Dual FET Op-Amp
0 C 224	59.60.3337	1 pce	100n	CER 50V, 10%, X7R, 0805	0 IC 20	50.61.0201	1 pce	TL062	Dual FET Op-Amp
0 C 225	59.60.3337	1 pce	100n	CER 50V, 10%, X7R, 0805	0 IC 21	50.61.0201	1 pce	TL062	Dual FET Op-Amp
0 C 226	59.60.3337	1 pce	100n	CER 50V, 10%, X7R, 0805	0 IC 22	50.61.0201	1 pce	TL062	Dual FET Op-Amp
0 C 227	59.60.3337	1 pce	100n	CER 50V, 10%, X7R, 0805	0 IC 23	50.61.0201	1 pce	TL062	Dual FET Op-Amp
0 C 228	59.60.3337	1 pce	100n	CER 50V, 10%, X7R, 0805	0 IC 24	50.61.0201	1 pce	TL062	Dual FET Op-Amp
0 C 229	59.60.3337	1 pce	100n	CER 50V, 10%, X7R, 0805	0 IC 25	50.61.0201	1 pce	TL062	Dual FET Op-Amp
0 C 230	59.60.3337	1 pce	100n	CER 50V, 10%, X7R, 0805	0 IC 26	50.61.0201	1 pce	TL062	Dual FET Op-Amp
0 C 231	59.60.3337	1 pce	100n	CER 50V, 10%, X7R, 0805	0 IC 27	50.61.0201	1 pce	TL062	Dual FET Op-Amp
0 C 232	59.60.3337	1 pce	100n	CER 50V, 10%, X7R, 0805	0 IC 28	50.61.0201	1 pce	TL062	Dual FET Op-Amp
0 C 233	59.60.3337	1 pce	100n	CER 50V, 10%, X7R, 0805	0 IC 29	50.61.0201	1 pce	TL062	Dual FET Op-Amp
0 C 234	59.60.3337	1 pce	100n	CER 50V, 10%, X7R, 0805	0 IC 30	50.61.0201	1 pce	TL062	Dual FET Op-Amp
0 C 235	59.60.3337	1 pce	100n	CER 50V, 10%, X7R, 0805	0 IC 31	50.61.0201	1 pce	TL062	Dual FET Op-Amp
0 C 236	59.60.3337	1 pce	100n	CER 50V, 10%, X7R, 0805	0 IC 32	50.61.0201	1 pce	TL062	Dual FET Op-Amp
0 C 237	59.60.3337	1 pce	100n	CER 50V, 10%, X7R, 0805	0 IC 33	50.61.0201	1 pce	TL062	Dual FET Op-Amp
0 C 238	59.68.0071	1 pce	100u	EL 16V, 8.0*6.3	0 IC 34	50.61.0201	1 pce	TL062	Dual FET Op-Amp
0 C 239	59.68.0071	1 pce	100u	EL 16V, 8.0*6.3	0 IC 35	50.61.0201	1 pce	TL062	Dual FET Op-Amp
0 C 240	59.60.3337	1 pce	100n	CER 50V, 10%, X7R, 0805	0 IC 36	50.61.0201	1 pce	TL062	Dual FET Op-Amp
0 C 241	59.60.3337	1 pce	100n	CER 50V, 10%, X7R, 0805	0 IC 37	50.61.0201	1 pce	TL062	Dual FET Op-Amp
0 C 242	59.60.3337	1 pce	100n	CER 50V, 10%, X7R, 0805	0 IC 38	50.61.9001	1 pce	LM393	Dual voltage comp. SO 8
0 C 243	59.60.3337	1 pce	100n	CER 50V, 10%, X7R, 0805	0 IC 39	50.61.9001	1 pce	LM393	Dual voltage comp. SO 8
0 C 244	59.68.0065	1 pce	10u	EL 16V, 4.0*5.7	0 IC 40	50.61.9001	1 pce	LM393	Dual voltage comp. SO 8
0 C 245	59.60.3337	1 pce	100n	CER 50V, 10%, X7R, 0805	0 IC 41	50.61.9001	1 pce	LM393	Dual voltage comp. SO 8
0 D 1	50.60.8101	1 pce	BAS85	200mA 30V Schottky SOD 80	0 IC 42	50.61.9001	1 pce	LM393	Dual voltage comp. SO 8
0 D 2	50.60.8101	1 pce	BAS85	200mA 30V Schottky SOD 80	0 IC 43	50.61.9001	1 pce	LM393	Dual voltage comp. SO 8
0 D 3	50.60.8901	1 pce	BAV99	250mA 70V dual SOT 23	0 IC 44	50.61.9001	1 pce	LM393	Dual voltage comp. SO 8
0 D 4	50.60.8901	1 pce	BAV99	250mA 70V dual SOT 23	0 IC 45	50.61.9001	1 pce	LM393	Dual voltage comp. SO 8
0 D 5	50.60.8901	1 pce	BAV99	250mA 70V dual SOT 23	0 IC 46	50.61.9001	1 pce	LM393	Dual voltage comp. SO 8
0 D 6	50.60.8901	1 pce	BAV99	250mA 70V dual SOT 23	0 IC 47	50.61.9001	1 pce	LM393	Dual voltage comp. SO 8
0 D 7	50.60.8901	1 pce	BAV99	250mA 70V dual SOT 23	0 MP 1	1.949.840.12	1 pce		FADER DRIVER PCB
0 D 8	50.60.8901	1 pce	BAV99	250mA 70V dual SOT 23	0 MP 2	1.949.840.10	1 pce		Nr. ETIKETTE 5x20
0 D 9	50.60.8901	1 pce	BAV99	250mA 70V dual SOT 23	0 MP 3	43.01.0108	1 pce	Label	ESE-Warnschild
0 D 10	50.60.8901	1 pce	BAV99	250mA 70V dual SOT 23	0 P 1	54.60.0407	1 pce	7p	SMD Stecker male
0 D 11	50.60.8901	1 pce	BAV99	250mA 70V dual SOT 23	0 P 2	54.60.0407	1 pce	7p	SMD Stecker male
0 D 12	50.60.8901	1 pce	BAV99	250mA 70V dual SOT 23	0 P 3	54.60.0407	1 pce	7p	SMD Stecker male
0 D 13	50.60.8001	1 pce	4448	200mA 75V 4ns SOD 80	0 P 4	54.60.0407	1 pce	7p	SMD Stecker male
0 D 14	50.60.8001	1 pce	4448	200mA 75V 4ns SOD 80	0 P 5	54.60.0407	1 pce	7p	SMD Stecker male
0 D 15	50.60.8001	1 pce	4448	200mA 75V 4ns SOD 80	0 P 6	54.60.0407	1 pce	7p	SMD Stecker male
0 D 16	50.60.8001	1 pce	4448	200mA 75V 4ns SOD 80	0 P 7	54.60.0407	1 pce	7p	SMD Stecker male
0 D 17	50.60.8001	1 pce	4448	200mA 75V 4ns SOD 80	0 P 8	54.60.0407	1 pce	7p	SMD Stecker male
0 D 18	50.60.8001	1 pce	4448	200mA 75V 4ns SOD 80	0 P 9	54.60.0407	1 pce	7p	SMD Stecker male
0 D 19	50.60.8001	1 pce	4448	200mA 75V 4ns SOD 80	0 P 10	54.60.0407	1 pce	7p	SMD Stecker male
0 D 20	50.60.8001	1 pce	4448	200mA 75V 4ns SOD 80	0 Q 1	50.60.0001	1 pce	BC847B	NPN 45V 100mA SOT 23
0 D 21	50.60.8001	1 pce	4448	200mA 75V 4ns SOD 80	0 Q 2	50.60.2001	1 pce	J112	JFET N-Channel
0 D 22	50.60.8001	1 pce	4448	200mA 75V 4ns SOD 80	0 Q 3	50.60.0001	1 pce	BC847B	NPN 45V 100mA SOT 23
0 D 23	50.60.8001	1 pce	4448	200mA 75V 4ns SOD 80	0 Q 4	50.60.2001	1 pce	J112	JFET N-Channel
0 D 24	50.60.8001	1 pce	4448	200mA 75V 4ns SOD 80	0 Q 5	50.60.0001	1 pce	BC847B	NPN 45V 100mA SOT 23
0 D 25	50.60.8001	1 pce	4448	200mA 75V 4ns SOD 80	0 Q 6	50.60.2001	1 pce	J112	JFET N-Channel
0 D 26	50.60.8001	1 pce	4448	200mA 75V 4ns SOD 80	0 Q 7	50.60.0001	1 pce	BC847B	NPN 45V 100mA SOT 23
0 D 27	50.60.8001	1 pce	4448	200mA 75V 4ns SOD 80	0 Q 8	50.60.2001	1 pce	J112	JFET N-Channel
0 D 28	50.60.8001	1 pce	4448	200mA 75V 4ns SOD 80	0 Q 9	50.60.0001	1 pce	BC847B	NPN 45V 100mA SOT 23
0 D 29	50.60.8001	1 pce	4448	200mA 75V 4ns SOD 80	0 Q 10	50.60.2001	1 pce	J112	JFET N-Channel
0 D 30	50.60.8001	1 pce	4448	200mA 75V 4ns SOD 80	0 Q 11	50.60.0001	1 pce	BC847B	NPN 45V 100mA SOT 23
0 D 31	50.60.8001	1 pce	4448	200mA 75V 4ns SOD 80	0 Q 12	50.60.2001	1 pce	J112	JFET N-Channel
0 D 32	50.60.8001	1 pce	4448	200mA 75V 4ns SOD 80	0 Q 13	50.60.0001	1 pce	BC847B	NPN 45V 100mA SOT 23
0 DV 1	50.60.9013	1 pce	6V8	5%, 0.2W, SOT 23	0 Q 14	50.60.2001	1 pce	J112	JFET N-Channel
0 DV 2	50.60.9013	1 pce	6V8	5%, 0.2W, SOT 23	0 Q 15	50.60.0001	1 pce	BC847B	NPN 45V 100mA SOT 23
0 DV 3	50.60.9013	1 pce	6V8	5%, 0.2W, SOT 23	0 Q 16	50.60.2001	1 pce	J112	JFET N-Channel
0 DV 4	50.60.9013	1 pce	6V8	5%, 0.2W, SOT 23	0 Q 17	50.60.0001	1 pce	BC847B	NPN 45V 100mA SOT 23
0 DV 5	50.60.9013	1 pce	6V8	5%, 0.2W, SOT 23	0 Q 18	50.60.2001	1 pce	J112	JFET N-Channel
0 DV 6	50.60.9013	1 pce	6V8	5%, 0.2W, SOT 23	0 Q 19	50.60.0001	1 pce	BC847B	NPN 45V 100mA SOT 23
0 DV 7	50.60.9013	1 pce	6V8	5%, 0.2W, SOT 23	0 Q 20	50.60.2001	1 pce	J112	JFET N-Channel
0 DV 8	50.60.9013	1 pce	6V8	5%, 0.2W, SOT 23	0 Q 21	50.60.0120	1 pce	BCP54-16	NPN 45V 1.0A SOT 223
0 DV 9	50.60.9013	1 pce	6V8	5%, 0.2W, SOT 23	0 Q 22	50.60.1120	1 pce	BCP51-16	PNP 45V 1.0A SOT 223
0 DV 10	50.60.9013	1 pce	6V8	5%, 0.2W, SOT 23	0 Q 23	50.60.0120	1 pce	BCP54-16	NPN 45V 1.0A SOT 223
0 DV 11	50.60.9007	1 pce	3V9	5%, 0.2W, SOT 23	0 Q 24	50.60.1120	1 pce	BCP51-16	PNP 45V 1.0A SOT 223
0 DV 12	50.60.9007	1 pce	3V9	5%, 0.2W, SOT 23	0 Q 25	50.60.0120	1 pce	BCP54-16	NPN 45V 1.0A SOT 223
0 DV 13	50.60.9007	1 pce	3V9	5%, 0.2W, SOT 23	0 Q 26	50.60.1120	1 pce	BCP51-16	PNP 45V 1.0A SOT 223
0 DV 14	50.60.9007	1 pce	3V9	5%, 0.2W, SOT 23	0 Q 27	50.60.0120	1 pce	BCP54-16	NPN 45V 1.0A SOT 223
0 DV 15	50.60.9007	1 pce	3V9	5%, 0.2W, SOT 23	0 Q 28	50.60.1120	1 pce	BCP51-16	PNP 45V 1.0A SOT 223
0 DV 16	50.60.9007	1 pce	3V9	5%, 0.2W, SOT 23	0 Q 29	50.60.0120	1 pce	BCP54-16	NPN 45V 1.0A SOT 223
0 DV 17	50.60.9007	1 pce	3V9	5%, 0.2W, SOT 23	0 Q 30	50.60.1120	1 pce	BCP51-16	PNP 45V 1.0A SOT 223
0 DV 18	50.60.9007	1 pce	3V9	5%, 0.2W, SOT 23	0 Q 31	50.60.0120	1 pce	BCP54-16	NPN 45V 1.0A SOT 223
0 DV 19	50.60.9007	1 pce	3V9	5%, 0.2W, SOT 23	0 Q 32	50.60.1120	1 pce	BCP51-16	PNP 45V 1.0A SOT 223
0 DV 20	50.60.9007	1 pce	3V9	5%, 0.2W, SOT 23	0 Q 33	50.60.0120	1 pce	BCP54-16	NPN 45V 1.0A SOT 223
0 DV 21	50.60.9007	1 pce	3V9	5%, 0.2W, SOT 23	0 Q 34	50.60.1120	1 pce	BCP51-16	PNP 45V 1.0A SOT 223
0 DV 22	50.60.9007	1 pce	3V9	5%, 0.2W, SOT 23	0 Q 35	50.60.0120	1 pce	BCP54-16	NPN 45V 1.0A SOT 223
0 DV 23	50.60.9007	1 pce	3V9	5%, 0.2W, SOT 23	0 Q 36	50.60.1120	1 pce	BCP51-16	PNP 45V 1.0A SOT 223
0 DV 24	50.60.9007	1 pce	3V9	5%, 0.2W, SOT 23	0 Q 37	50.60.0120	1 pce	BCP54-16	NPN 45V 1.0A SOT 223
0 DV 25	50.60.9007	1 pce	3V9	5%, 0.2W, SOT 23	0 Q 38	50.60.1120	1 pce	BCP51-16	PNP 45V 1.0A SOT 223
0 DV 26	50.60.9007	1 pce	3V9						

