

Studer D21m

I/O System Components



Prepared and edited by
Studer Professional Audio GmbH
Technical Documentation
Althardstrasse 30
CH-8105 Regensdorf – Switzerland
<http://www.studer.ch>

Copyright by Studer Professional Audio GmbH
Printed in Switzerland
Order no. 10.27.5113-2 (Ed. 1007)

Subject to change

A Safety Information



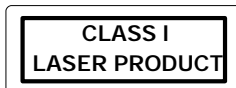
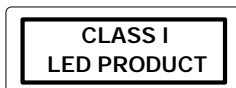
To reduce the risk of electric shock, do not remove covers. No user-serviceable parts inside. Refer servicing to qualified service personnel (i.e., persons having appropriate technical training and experience necessary to be aware of hazards to which they are exposed in performing a repair action, and of measures to minimize the danger of themselves).



This symbol alerts the user to the presence of un-insulated *dangerous voltage* within the equipment that may be of sufficient magnitude to constitute a risk of electric shock to a person.



This symbol alerts the user to *important instructions* for operating and maintenance in this documentation.



Assemblies or sub-assemblies of this product can contain opto-electronic devices. As long as these devices comply with Class I of laser or LED products according to EN 60825-1:1994, they will not be expressly marked on the product. If a special design should be covered by a higher class of this standard, the device concerned will be marked directly on the assembly or sub-assembly in accordance with the above standard.

A1 First Aid

In Case of Electric Shock:

Separate the person as quickly as possible from the electric power source:

- By switching off the equipment,
- By unplugging or disconnecting the mains cable, or
- By pushing the person away from the power source, using dry, insulating material (such as wood or plastic).
- After having suffered an electric shock, *always* consult a doctor.



Warning!

Do not touch the person or his clothing before the power is turned off, otherwise you stand the risk of suffering an electric shock as well!

If the Person is Unconscious:

- Lay the person down
- Turn him to one side
- Check the pulse
- Reanimate the person if respiration is poor
- *Call for a doctor immediately.*

B General Installation Instructions

Please consider besides these general instructions also any product-specific instructions in the “Installation” chapter of this manual.

B1 Unpacking

Check the equipment for any transport damage. If the unit is mechanically damaged, if liquids have been spilled or if objects have fallen into the unit, *it must not be connected to the AC power outlet, or it must be immediately disconnected by unplugging the power cable*. Repair must only be performed by trained personnel in accordance with the applicable regulations.

B2 Installation Site

Install the unit in a place where the following conditions are met:

- The temperature and the relative humidity of the environment must be within the specified limits during operation of the unit. Relevant values are the ones at the air inlets of the unit.
- Condensation must be avoided. If the unit is installed in a location with large variation of ambient temperature (e.g. in an OB-van), appropriate precautions must be taken before and after operation (for details on this subject, refer to Appendix 1).
- Unobstructed air flow is essential for proper operation. Air vents of the unit are a functional part of the design and must not be blocked in any way during operation (e.g. by objects placed upon them, placement of the unit on a soft surface, or installation of the unit within a rack or piece of furniture).
- The unit must not be heated up by external sources of heat radiation (sunlight, spot lights).

B3 Earthing and Power Supply

Earthing of units with mains supply (class I equipment) is performed via the protective earth (PE) conductor integrated in the mains cable. Units with battery operation (< 60 V, class III equipment) must be earthed separately.

Earthing the unit is one of the measures for protection against electrical shock hazard (dangerous body currents). Hazardous voltage may not only be caused by a defective power supply insulation, but may also be introduced by the connected audio or control cables.

If the unit is installed with one or several external connections, its earthing must be provided during operation as well as while the unit is not operated. If the earthing connection can be interrupted, for example, by unplugging the mains plug of an external power supply unit, an additional, permanent earthing connection must be installed using the provided earth terminal.

Avoid ground loops (hum loops) by keeping the loop surface as small as possible (by consequently guiding the earth conductors in a narrow, parallel way), and reduce the noise current flowing through the loop by inserting an additional impedance (common-mode choke).

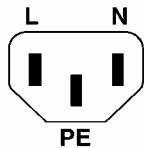
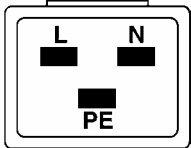
Class I Equipment (Mains Operation)

Should the equipment be delivered without a matching mains cable, the latter has to be prepared by a trained person using the attached female plug (IEC320/C13 or IEC320/C19) with respect to the applicable regulations in your country.

Before connecting the equipment to the AC power outlet, check that the local line voltage matches the equipment rating (voltage, frequency) within the admissible tolerance. The equipment fuses must be rated in accordance with the specifications on the equipment.

Equipment supplied with a 3-pole appliance inlet (protection conforming to class I equipment) *must* be connected to a 3-pole AC power outlet so that the equipment cabinet is connected to the protective earth.

For information on mains cable strain relief please refer to Appendix 2.

Female Plugs (IEC320), Front-Side View:		
 <p>IEC 320 / C13</p>	 <p>IEC 320 / C19</p>	
European Standard (CENELEC)		North American Standard (NAS)
Brown	L (Live)	Black
Blue	N (Neutral)	White
Green/Yellow	PE (Protective Earth)	Green (or Green/Yellow)

Class III Equipment (Battery Operation up to 60 V_{DC})

Equipment of this protection class must be earthed using the provided earth terminal, if one or more external signals are connected to the unit (see explanation at the beginning of this paragraph).

B4 Electromagnetic Compatibility (EMC)

The unit conforms to the protection requirements relevant to electromagnetic phenomena that are listed in guidelines 89/336/EC and FCC, part 15.

- The electromagnetic interference generated by the unit is limited in such a way that other equipment and systems can be operated normally.
- The unit is adequately protected against electromagnetic interference so that it can operate properly.

The unit has been tested and conforms to the EMC standards of the specified electromagnetic environment, as listed in the following declaration. The limits of these standards ensure protection of the environment and corresponding noise immunity of the equipment with appropriate probability. However, a professional installation and integration within the system are imperative prerequisites for operation without EMC problems.

For this purpose, the following measures must be followed:

- Install the equipment in accordance with the operating instructions. Use the supplied accessories.
- In the system and in the vicinity where the equipment is installed, use only components (systems, equipment) that also fulfill the EMC standards for the given environment.
- Use a system grounding concept that satisfies the safety requirements (class I equipment must be connected with a protective ground conduc-

tor) and that also takes into consideration the EMC requirements. When deciding between radial, surface, or combined grounding, the advantages and disadvantages should be carefully evaluated in each case.

- Use shielded cables where shielding is specified. The connection of the shield to the corresponding connector terminal or housing should have a large surface and be corrosion-proof. Please note that a cable shield connected only single-ended can act as a transmitting or receiving antenna within the corresponding frequency range.
- Avoid ground loops or reduce their adverse effects by keeping the loop surface as small as possible, and reduce the noise current flowing through the loop by inserting an additional impedance (e.g. common-mode choke).
- Reduce electrostatic discharge (ESD) of persons by installing an appropriate floor covering (e.g. a carpet with permanent electrostatic filaments) and by keeping the relative humidity above 30%. Further measures (e.g. conducting floor) are usually unnecessary and only effective if used together with corresponding personal equipment.
- When using equipment with touch-sensitive operator controls, please take care that the surrounding building structure allows for sufficient capacitive coupling of the operator. This coupling can be improved by an additional, conducting surface in the operator's area, connected to the equipment housing (e.g. metal foil underneath the floor covering, carpet with conductive backing).

C Maintenance

All air vents and openings for operating elements (faders, rotary knobs) must be checked on a regular basis, and cleaned in case of dust accumulation. For cleaning, a soft paint-brush or a vacuum cleaner is recommended. Cleaning the surfaces of the unit is performed with a soft, dry cloth or a soft brush.

Persistent contamination can be treated with a cloth that is slightly humidified with a mild cleaning solution (soap-suds).

For cleaning display windows, commercially available computer/TV screen cleaners are suited. Use only a slightly damp (never wet) cloth.

Never use any solvents for cleaning the exterior of the unit! Liquids must never be sprayed or poured on directly!

For equipment-specific maintenance information please refer to the corresponding chapter in the Operating and Service Instructions manuals.

D Electrostatic Discharge during Maintenance and Repair

Caution:



Observe the precautions for handling devices sensitive to electrostatic discharge!

Many semiconductor components are sensitive to electrostatic discharge (ESD). The life-span of assemblies containing such components can be drastically reduced by improper handling during maintenance and repair work. Please observe the following rules when handling ESD sensitive components:

- ESD sensitive components should only be stored and transported in the packing material specifically provided for this purpose.
- *When performing a repair by replacing complete assemblies, the removed assembly must be sent back to the supplier in the same packing*

material in which the replacement assembly was shipped. If this should not be the case, any claim for a possible refund will be null and void.

- Unpacked ESD sensitive components should only be handled in ESD protected areas (EPA, e.g. area for field service, repair or service bench) and only be touched by persons who wear a wristlet that is connected to the ground potential of the repair or service bench by a series resistor. The equipment to be repaired or serviced as well as all tools and electrically semi-conducting work, storage, and floor mats should also be connected to this ground potential.
- The terminals of ESD sensitive components must not come in uncontrolled contact with electrostatically chargeable (voltage puncture) or metallic surfaces (discharge shock hazard).
- To prevent undefined transient stress of the components and possible damage due to inadmissible voltages or compensation currents, electrical connections should only be established or separated when the equipment is switched off and after any capacitor charges have decayed.

E Repair

Removal of housing parts, shields, etc. exposes energized parts. For this reason the following precautions must be observed:

- Maintenance may only be performed by trained personnel in accordance with the applicable regulations.
- The equipment must be switched off and disconnected from the AC power outlet before any housing parts are removed.
- Even if the equipment is disconnected from the power outlet, parts with hazardous charges (e.g. capacitors, picture tubes) must not be touched until they have been properly discharged. Do not touch hot components (power semiconductors, heat sinks, etc.) before they have cooled off.
- If maintenance is performed on a unit that is opened and switched on, no un-insulated circuit components and metallic semiconductor housings must be touched, neither with your bare hands nor with un-insulated tools.

Certain components pose additional hazards:

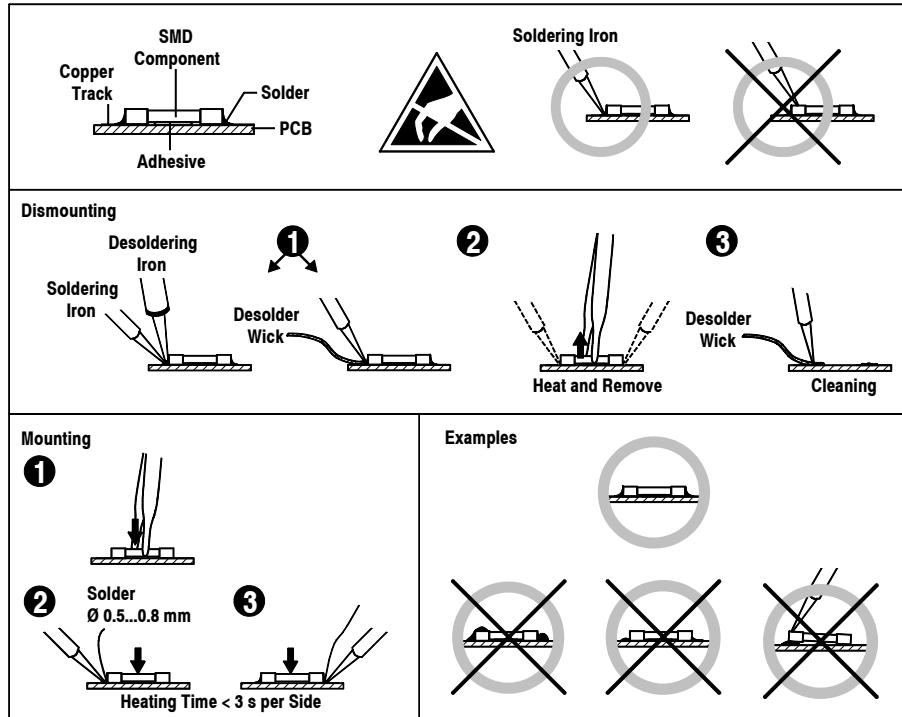
- *Explosion hazard* from lithium batteries, electrolytic capacitors and power semiconductors (watch the component's polarity. Do not short battery terminals. Replace batteries only by the same type).
- *Implosion hazard* from evacuated display units.
- *Radiation hazard* from laser units (non-ionizing), picture tubes (ionizing).
- *Caustic effect* of display units (LCD) and components containing liquid electrolyte.

Such components should only be handled by trained personnel who are properly protected (e.g. safety goggles, gloves).

E1 SMD Components

Studer has no commercially available SMD components in stock for service purposes. For repair, the corresponding devices have to be purchased locally. The specifications of special components can be found in the service manual.

SMD components should only be replaced by skilled specialists using appropriate tools. No warranty claims will be accepted for circuit boards that have been damaged. Proper and improper SMD soldering joints are illustrated below.



F Disposal

Disposal of Packing Materials

The packing materials have been selected with environmental and disposal issues in mind. All packing material can be recycled. Recycling packing saves raw materials and reduces the volume of waste.

If you need to dispose of the transport packing materials, please try to use recyclable means.

Disposal of Used Equipment

Used equipment contains valuable raw materials as well as materials that must be disposed of professionally. Please return your used equipment via an authorized specialist dealer or via the public waste disposal system, ensuring any material that can be recycled is.

Please take care that your used equipment cannot be abused. To avoid abuse, delete sensitive data from any data storage media. After having disconnected your used equipment from the mains supply, make sure that the mains connector and the mains cable are made useless.

G Declarations of Conformity

G1 Class A Equipment - FCC Notice

This equipment has been tested and found to comply with the limits for a Class A digital device, pursuant to Part 15 of the FCC Rules. These limits are designed to provide a reasonable protection against harmful interference when the equipment is operated in a commercial environment. This equipment generates, uses, and can radiate radio frequency energy and, if not installed and used in accordance with the instruction manual, may cause harmful interference to radio communications. Operation of this equipment in a residential area is likely to cause harmful interference, in which case the user will be required to correct the interference at his own expense.

Caution: Any changes or modifications not expressly approved by the manufacturer void information in this manual.

G2 CE Declaration of Conformity

We,
**Studer Professional Audio GmbH,
CH-8105 Regensdorf,**
declare under our sole responsibility that the product
**Studer D21m, Digital I/O System
(starting with serial no. 0001)**
to which this declaration relates, according to following regulations of EU directives and amendments

- Low Voltage (LVD):
73/23/EEC + 93/68/EEC
- Electromagnetic Compatibility (EMC):
89/336/EEC + 92/31/EEC + 93/68/EEC

is in conformity with the following standards or normative documents:

- Safety:
EN 60950-1:2000 (Class I equipment)
- Safety of laser products:
EN 60825-1:2004 + A11 + A2, EN60825-2:2000
- EMC:
EN 55103-1/-2:1996, electromagnetic environments E2 and E4.

Regensdorf, November 12, 2004



B. Hochstrasser, President



M. Lienert, Manager R&D

Appendix 1: Air Temperature and Humidity

General

Normal operation of the unit or system is warranted under the following ambient conditions defined by *EN 60721-3-3, set IE32, value 3K3*.

This standard consists of an extensive catalogue of parameters, the most important of which are: ambient temperature +5...+40 °C, relative humidity 5...85% (i.e., no formation of condensation or ice); absolute humidity 1...25 g/m³; rate of temperature change < 0.5 °C/min. These parameters are dealt with in the following paragraphs.

Under these conditions the unit or system starts and works without any problem. Beyond these specifications, possible problems are described in the following paragraphs.

Ambient Temperature

Units and systems by Studer are generally designed for an ambient temperature range (i.e. temperature of the incoming air) of +5...+40 °C. When rack mounting the units, the intended air flow and herewith adequate cooling must be provided. The following facts must be considered:

- The admissible ambient temperature range for operation of the semiconductor components is 0 °C to +70 °C (commercial temperature range for operation).
- The air flow through the installation must provide that the outgoing air is always cooler than 70 °C.
- Average heat increase of the cooling air shall be about 20 K, allowing for an additional maximum 10 K increase at the hot components.
- In order to dissipate 1 kW with this admissible average heat increase, an air flow of 2.65 m³/min is required.

Example: A rack dissipating $P = 800\text{ W}$ requires an air flow of $0.8 * 2.65\text{ m}^3/\text{min}$ which corresponds to $2.12\text{ m}^3/\text{min}$.

- If the cooling function of the installation must be monitored (e.g. for fan failure or illumination with spot lamps), the outgoing air temperature must be measured directly above the modules at several places within the rack. The trigger temperature of the sensors should be 65 to 70 °C.

Frost and Dew

The unsealed system parts (connector areas and semiconductor pins) allow for a minute formation of ice or frost. However, formation of dew visible with the naked eye will already lead to malfunctions. In practice, reliable operation can be expected in a temperature range above -15 °C, if the following general rule is considered for putting the cold system into operation:

If the air within the system is cooled down, the relative humidity rises. If it reaches 100%, condensation will arise, usually in the boundary layer between the air and a cooler surface, together with formation of ice or dew at sensitive areas of the system (contacts, IC pins, etc.). Once internal condensation occurs, trouble-free operation cannot be guaranteed, independent of temperature.

Before putting into operation, the system must be checked for internal formation of condensation or ice. Only with a minute formation of ice, direct

evaporation (sublimation) may be expected; otherwise the system must be heated and dried while switched off.

A system without visible internal formation of ice or condensation should be heated up with its own heat dissipation, as homogeneously (and subsequently as slow) as possible; the ambient temperature should then always be lower than the one of the outgoing air.

If it is absolutely necessary to operate the cold system immediately within warm ambient air, this air must be dehydrated. In such a case, the absolute humidity must be so low that the relative humidity, related to the coldest system surface, always remains below 100%.

Ensure that the enclosed air is as dry as possible when powering off (i.e. before switching off in winter, aerate the room with cold, dry air, and remove humid objects as clothes from the room).

These relationships are visible from the following climatogram. For a controlled procedure, thermometer and hygrometer as well as a thermometer within the system will be required.

Example 1: An OB-van having an internal temperature of 20 °C and relative humidity of 40% is switched off in the evening. If temperature falls below +5 °C, dew or ice will be forming.

Example 2: An OB-van is heated up in the morning with air of 20 °C and a relative humidity of 40%. On all parts being cooler than +5 °C, dew or ice will be forming.

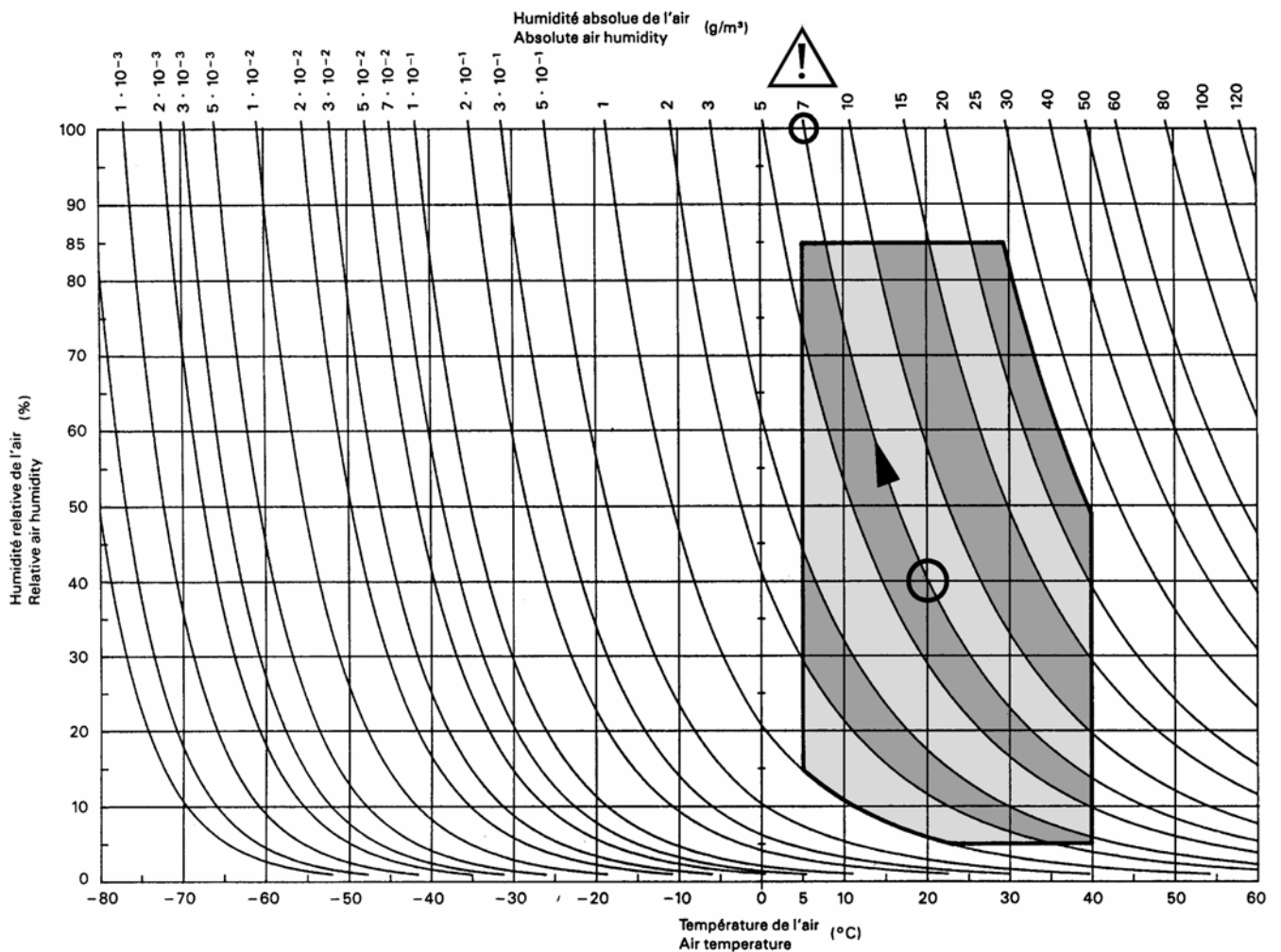
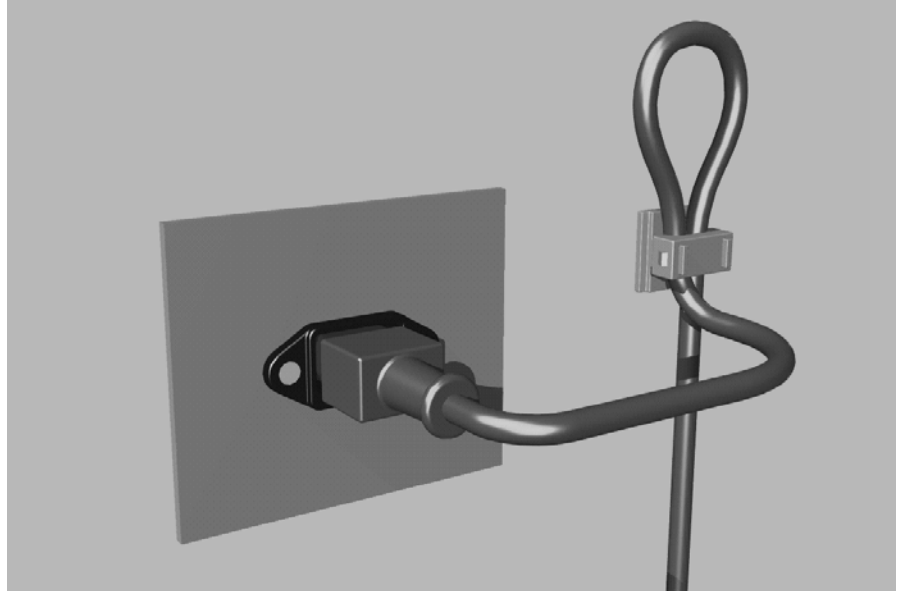


Figure B.3 – Climatogramme pour catégorie 3K3
Climatogram for class 3K3

Appendix 2: Mains Connector Strain Relief

For anchoring connectors without a mechanical lock (e.g. IEC mains connectors), we recommend the following arrangement:



Procedure: The cable clamp shipped with your unit is auto-adhesive. For mounting please follow the rules below:

- The surface to be adhered to must be clean, dry, and free from grease, oil, or other contaminants. Recommended application temperature range is +20...+40 °C.
- Remove the plastic protective backing from the rear side of the clamp and apply it firmly to the surface at the desired position. Allow as much time as possible for curing. The bond continues to develop for as long as 24 hours.
- For improved stability, the clamp should be fixed with a screw. For this purpose, a self-tapping screw and an M4 bolt and nut are included.
- Place the cable into the clamp as shown in the illustration above and firmly press down the internal top cover until the cable is fixed.

Appendix 3: Software License

Use of the software is subject to the Studer Professional Audio Software License Agreement set forth below. Using the software indicates your acceptance of this license agreement. If you do not accept these license terms, you are not authorized to use this software.

Under the condition and within the scope of the following Terms and Conditions, Studer Professional Audio AG (hereinafter “Studer”) grants the right to use programs developed by Studer as well as those of third parties which have been installed by Studer on or within its products. References to the license programs shall be references to the newest release of a license program installed at the Customer’s site.

Programs Covered by the Agreement

License Programs of Studer The following Terms and Conditions grant the right to use all programs of Studer that are part of the System and/or its options at the time of its delivery to the Customer, as well as the installation software on the original data disk and the accompanying documentation (“License Material”). In this Agreement the word “Programs” shall have the meaning of programs and data written in machine code.

Using the software indicates your acceptance of this license agreement. If you do not accept these license terms, you are not authorized to use this software.

Programs of Third Parties Programs of third parties are all programs which constitute part of the System and/or its options at the time of delivery to the Customer but have not been developed by Studer. The following conditions are applicable to programs of third parties:

- The right to use third parties’ programs is governed by the License Agreement attached hereto (if applicable), which is an integral part of this Agreement. The Customer shall sign any and all License Agreements for all further programs of third parties installed on the system. The Customer shall be deemed to have received all License Agreements upon delivery of the system and/or its options.
- Studer shall accept no responsibility or liability for, and gives no warranties (express or implied) as to the programs of third parties. The Customer waives any and all claims versus Studer for any consequential damages, which might occur due to defects of these programs.

Right of Use

Principle Studer grants the Customer the non-exclusive right to use the License Material in one copy on the system and/or its options as laid down by the Sales Agreement concluded between the parties and all Terms and Conditions which shall be deemed to form and be read and construed as part of the Sales Agreement. This right is assignable according to the “Assignability” paragraph hereinafter.

Customized Configurations The Customer is not entitled to alter or develop further the License Material except within the expressly permitted configuration possibilities given by the software installed on the system or elsewhere. All altered programs, including but not limited to the products altered within the permitted configuration possibilities, are covered by this License Agreement.

Reverse Engineering Reverse engineering is only permitted with the express consent of Studer. The consent of Studer can be obtained but is not limited to the case in which the interface-software can not be provided by Studer. In any case Studer has to be informed immediately upon complete or partial reverse engineering.

Copying the License Material The Customer is entitled to make one copy of all or parts of the License Material as is necessary for the use according to this Agreement, namely for backup purposes. The Customer shall apply the copyright of Studer found on the License Material onto all copies made by him. Records shall be kept by the Customer regarding the amount of copies made and their place of keeping. The responsibility for the original program and all copies made lies with the Customer. Studer is entitled to check these records on first request. Copies not needed anymore have to be destroyed immediately.

Disclosure of License Material The License Material is a business secret of Studer. The Customer shall not hand out or in any way give access to parts or the complete License Material to third parties nor to publish any part of the License Material without prior written consent of Studer. The Customer shall protect the License Material and any copies made according to the paragraph above by appropriate defense measures against unauthorized access. This obligation of non-disclosure is a perpetual obligation.
Third parties are entitled to have access to the License Material if they use the License Material at the Customer's site in compliance with this Agreement.
Under no circumstance are third parties entitled to have access to the installation software on the original data media. The Customer shall safeguard the original data media accordingly.

Assignability The rights granted to the Customer according to this License Agreement shall only be assignable to a third party together with the transfer of the system and/or its options and after the prior written consent of Studer.

Rights to License Material

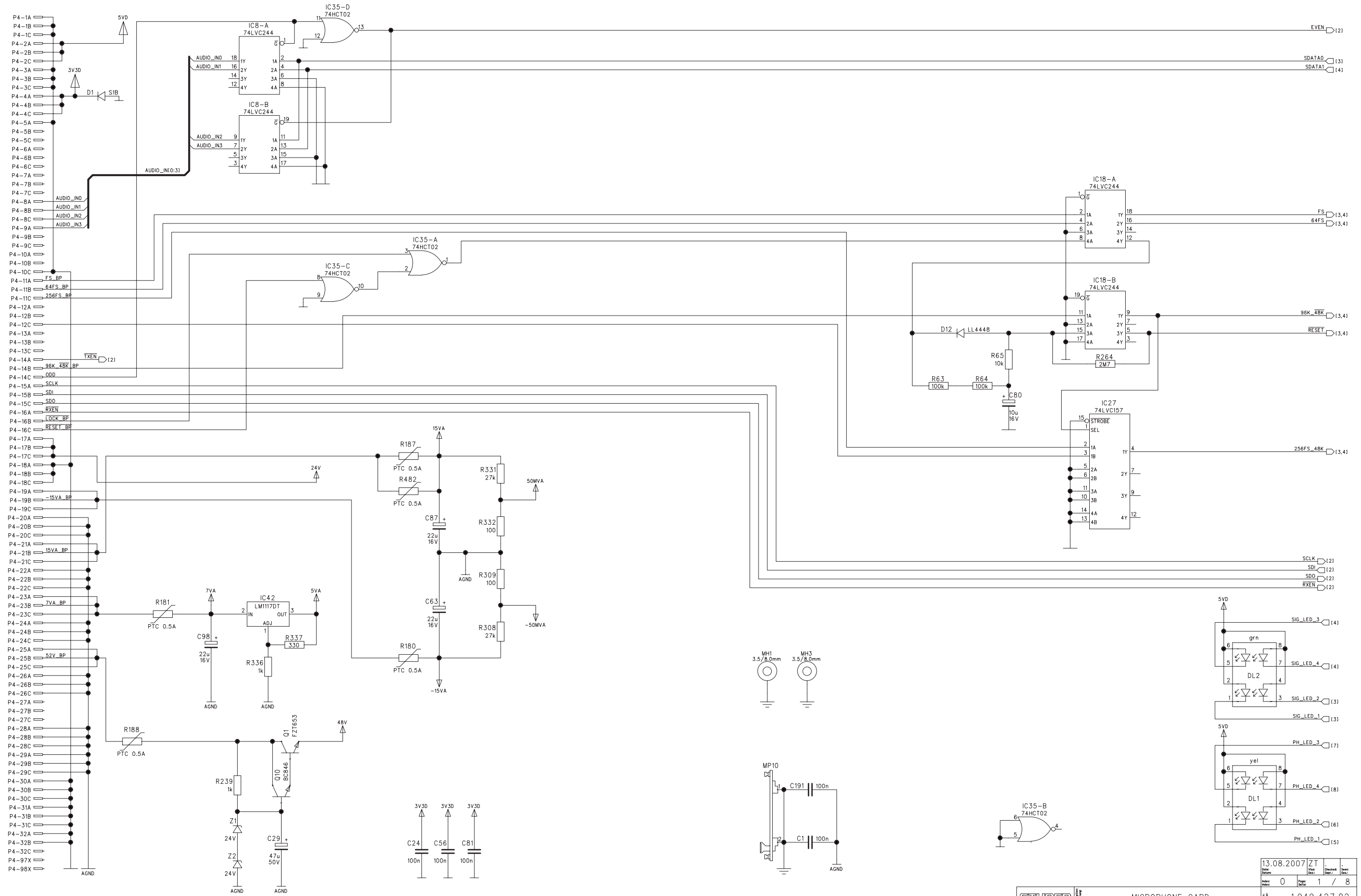
With the exception of the right of use granted by this License Agreement all proprietary rights to the License Material, especially the ownership and the intellectual property rights (such as but not limited to patents and copyright) remain with Studer even if alterations, customized changes or amendments have been made to the License Material.
Studer's proprietary rights are acknowledged by the Customer. The Customer shall undertake no infringements and make no claims of any patent, registered design, copyright, trade mark or trade name, or other intellectual property right.

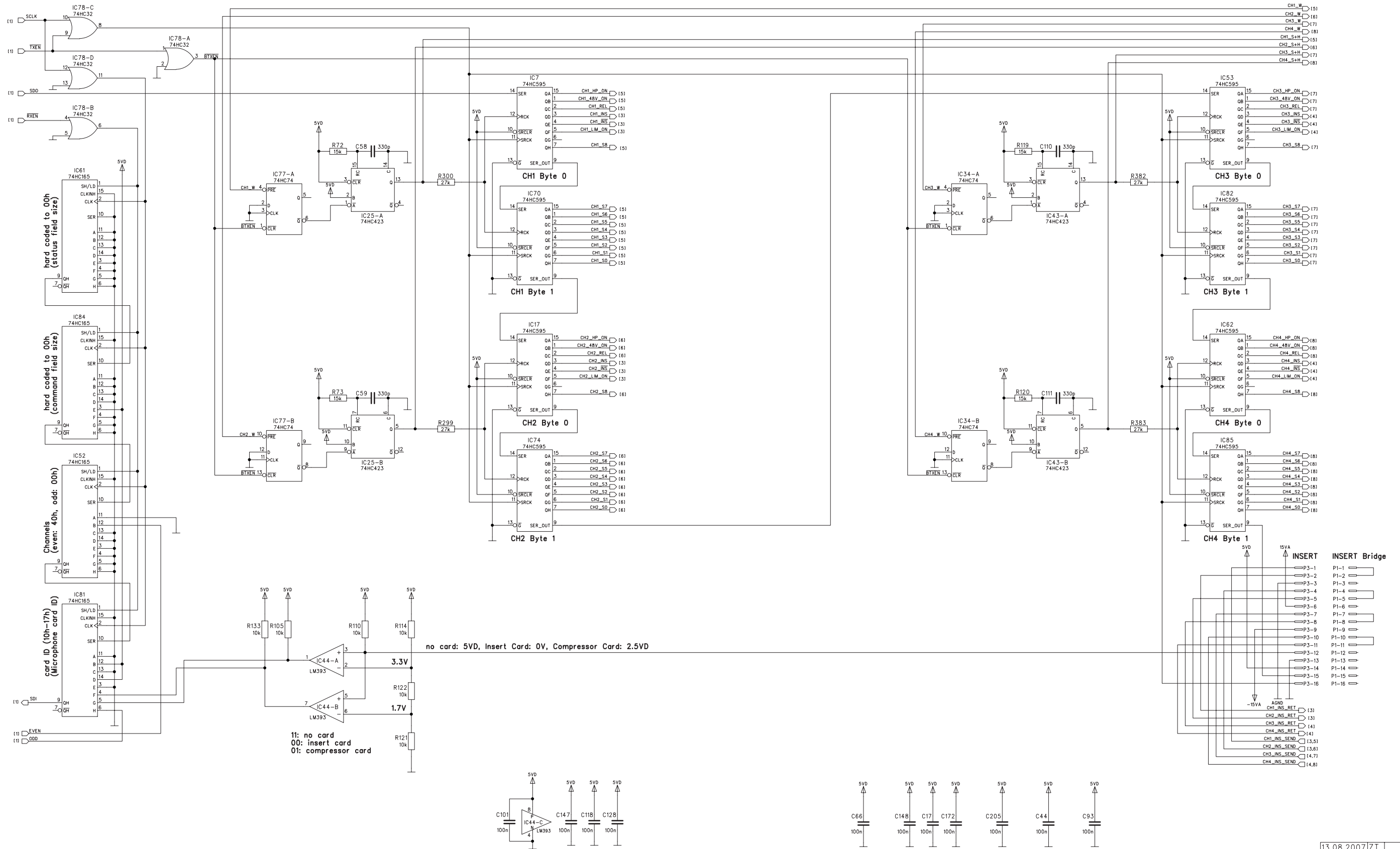
Warranty, Disclaimer, and Liability

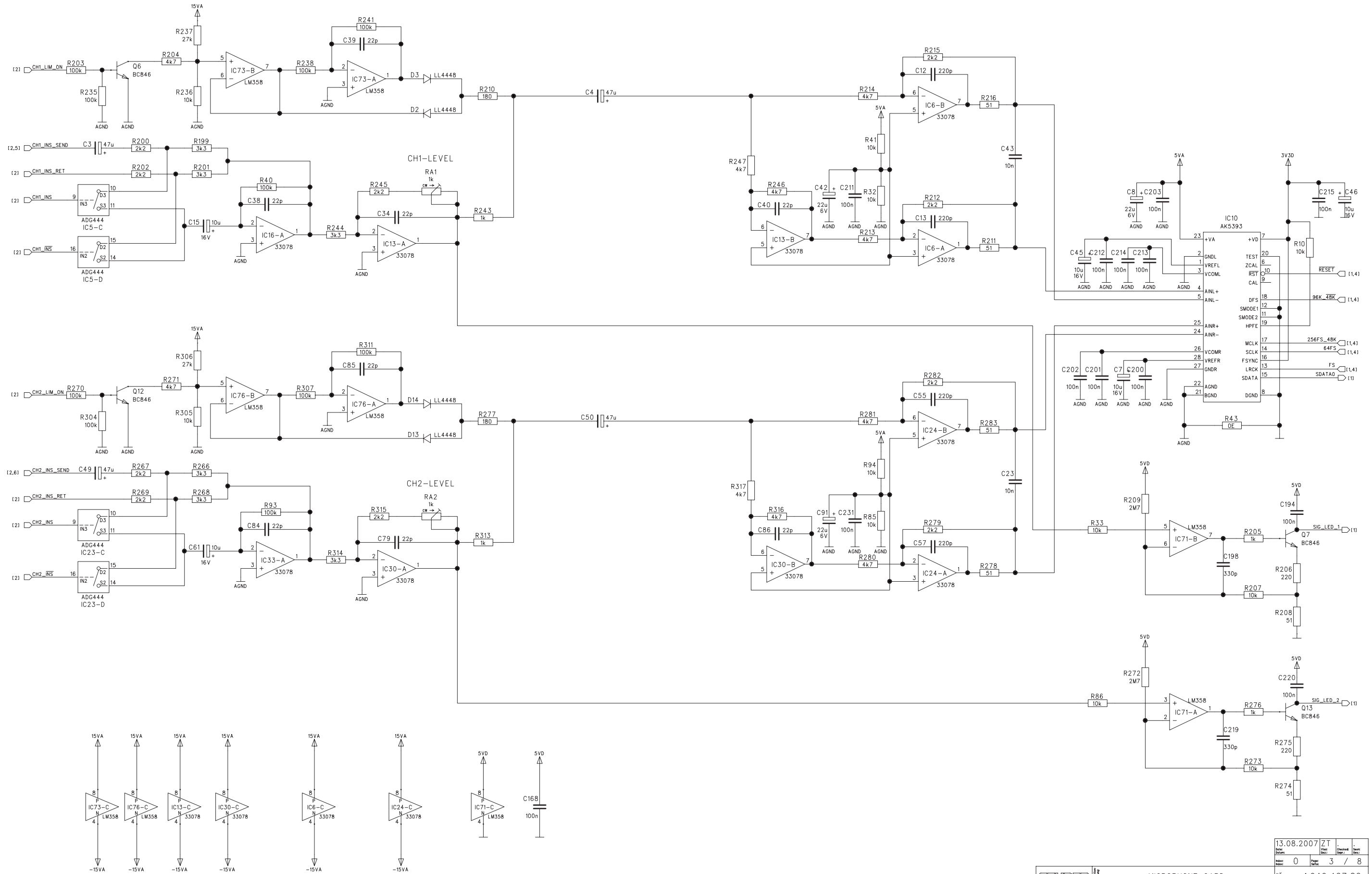
For all issues not covered herewithin, refer to the "General Terms and Conditions of Sales and Delivery" being part of the sales contract.

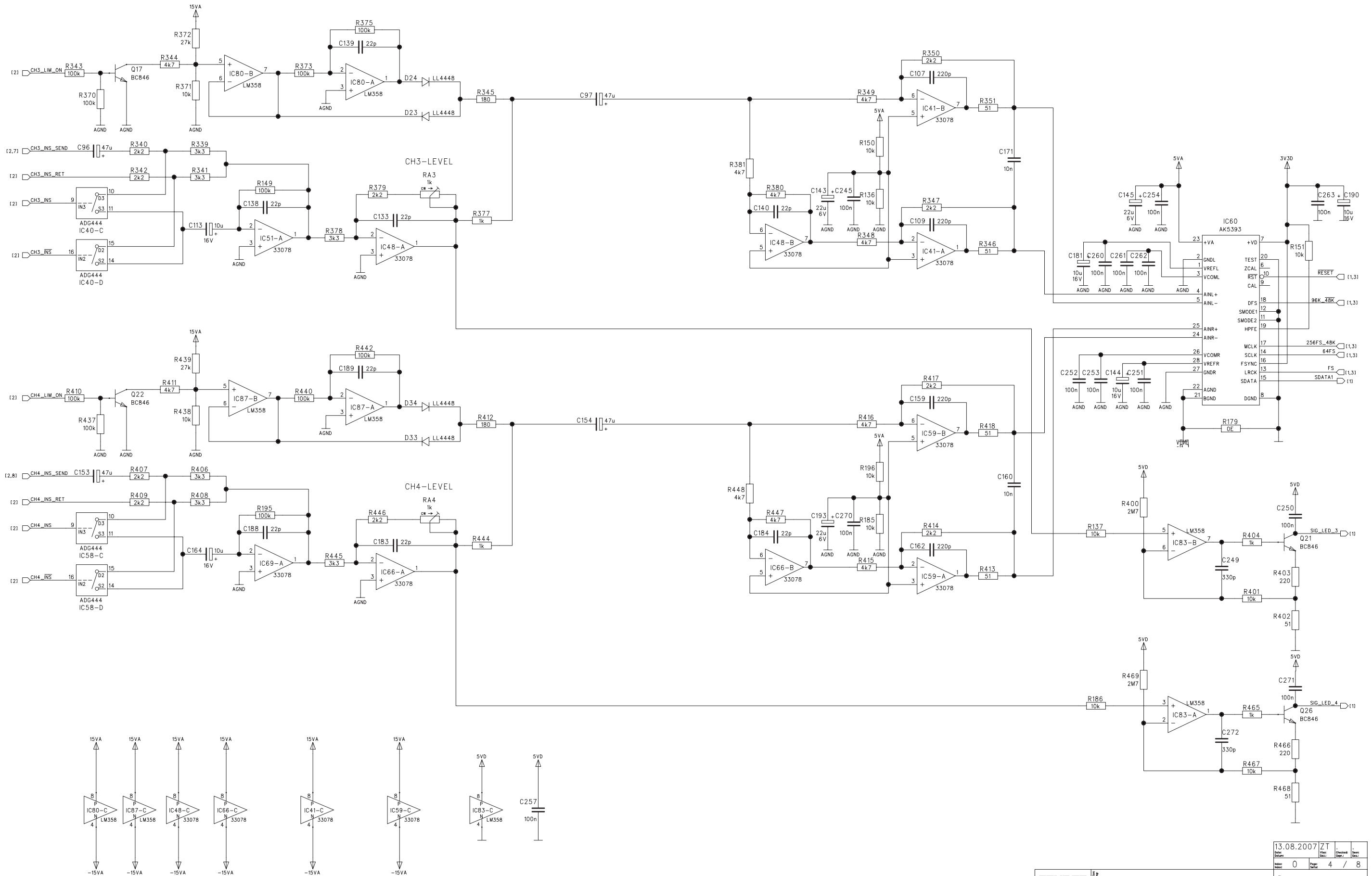
D21m SYSTEM – DIAGRAMS

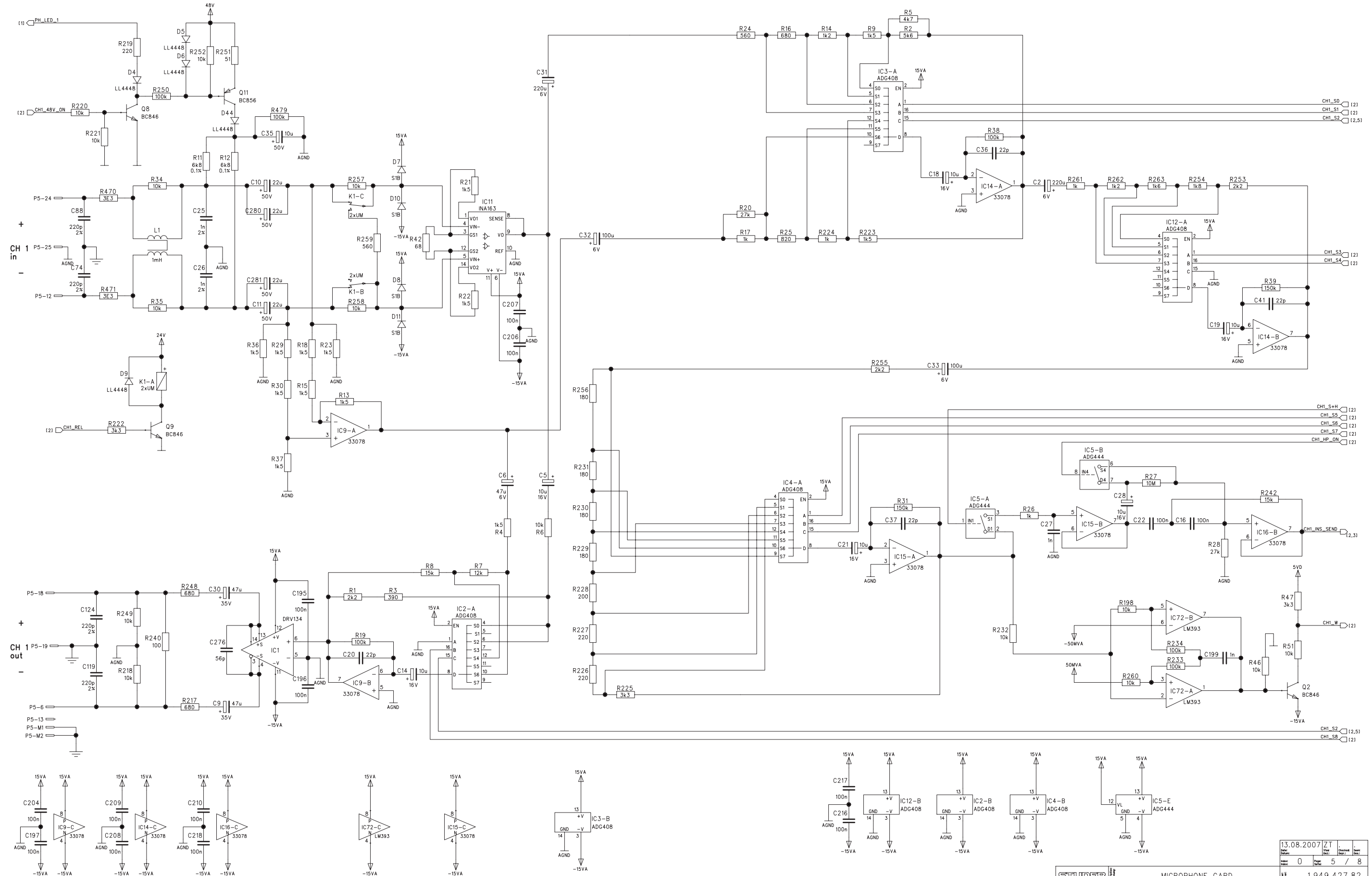
Name	Order No.	Assembly	Diagram	Layout	Parts List
Analog I/O Cards					
Mic/Line Input Card (incl. Dir. Outs)	1.949.427	1.949.427.82	1.949.427.82-0	1.949.427.82-0	1.949.427.82-0
Analog Insert Card	1.949.428	1.949.428.00	1.949.428.00-0	1.949.428.00-1	1.949.428.00-2
Analog Line In Card	1.949.421	1.949.421.82	1.949.421.82-0	1.949.421.82-0	1.949.421.82-1
Analog Line Out Card	1.949.420	1.949.420.83	1.949.420.83-0	1.949.420.83-0	1.949.420.83-0
Digital I/O Cards					
AES I/O Card (no SFC; cannot be used with OnAir 3000)	1.949.422	1.949.422.82	1.949.424.81-0	1.949.422.82-0	1.949.422.82-1
AES I/O Card (SFC on Inputs)	1.949.423	1.949.423.81	1.949.424.81-0	1.949.423.81-1	1.949.423.81-1
AES I/O Card (SFC on Inputs and Outputs)	1.949.424	1.949.424.81	1.949.424.81-0	1.949.424.81-0	1.949.424.81-1
MADI I/O Card	1.949.430	1.949.430.24	1.949.430.24-0	1.949.430.21-0	1.949.430.24-0
MADI I/O Card, single mode (long distance)	1.949.431	1.949.431.23	1.949.430.24-0	1.949.430.21-0	1.949.431.23-0
MADI I/O Card, twisted-pair	1.949.433	1.949.433.20	1.949.433.20-3	1.949.433.20-3	1.949.433.20-3
ADAT I/O Card	1.949.425	1.949.425.22	1.949.425.22-0	1.949.425.22-0	1.949.425.22-1
ADAT I/O Card (long distance)	1.949.429	1.949.429.21	1.949.425.22-0	1.949.425.22-0	1.949.429.21-1
TDIF I/O Card	1.949.426	1.949.426.22	1.949.426.20-0	1.949.426.20-0	1.949.426.22-0
SDI I/O Card	1.949.442	1.949.442.00	1.949.442.00-0	1.949.442.00-1	1.949.442.00-0
Dolby® E/Digital Decoder Card	1.949.443	1.949.443.21	1.949.444.21-0	1.949.444.21-0	1.949.444.21-0
Dolby® E/Digital Decoder Card	1.949.444	1.949.444.21	1.949.444.21-0	1.949.444.21-0	1.949.444.21-0
CobraNet® I/O Card	1.949.445	1.949.445.20	1.949.445.20-0	1.949.445.20-0	1.949.445.20-1
Aviom A-Net® Output Card	1.949.446	1.949.446.00	1.949.445.20-0	1.949.446.00-0	1.949.446.00-0
Non-Audio I/O Cards					
GPIO Card with Open-Collector Outputs	1.949.435	1.949.435.81	1.949.435.81-0	1.949.435.81-0	1.949.435.81-1
GPIO Card with Relay Outputs	1.949.436	1.949.436.81	1.949.436.81-0	1.949.436.81-0	1.949.436.81-0
HD Cards					
HD S Card	1.949.412	1.949.412.24	1.949.412.22-0	1.949.412.22-0	1.949.412.24-2
HD RS422 Card	1.949.415	1.949.415.22	1.949.415.20-0	1.949.415.22-0	1.949.415.22-1
MADI HD Card	1.949.411	1.949.411.24	1.949.411.21-1	1.949.411.21-0	1.949.411.24-2
MADI HD Card, single mode (long distance)	1.949.413	1.949.413.23	1.949.411.21-1	1.949.411.21-1	1.949.413.23-2
MADI HD Card, twisted-pair	1.949.414	1.949.414.20	1.949.414.20-0	1.949.414.20-0	1.949.414.20-2
Serial / Merger Cards					
Serial Card	1.949.437	1.949.437.81	1.949.438.22-0	1.949.437.81-0	1.949.437.81-0
Serial Merger Card	1.949.438	1.949.438.22	1.949.438.22-0	1.949.438.22-0	1.949.438.22-2
Serial RJ45 Card	1.949.439	1.949.439.82	1.949.440.21-0	1.949.439.82-0	1.949.439.82-0
Dual Merger RJ45 Card	1.949.440	1.949.440.21	1.949.440.21-0	1.949.440.21-0	1.949.440.21-0
Supply / Miscellaneous					
Primary Power Supply Unit, Int. Frame	1.949.404	1.949.404.00	1.943.304.81-0	1.949.404.00-0	1.949.404.00-0
Primary Power Supply Unit, Ext. Frame	1.949.403	1.949.403.00	1.949.403.00-0	1.949.403.00-1	1.949.403.00-2
LED/PSII PCB, Ext. Frame	1.949.402	1.949.402.81	1.949.402.81-0	1.949.402.81-0	1.949.402.81-0
Backplane for Merger	1.949.406	1.949.406.81	1.949.406.81-1	1.949.406.81-0	1.949.406.81-0
Extender Card	1.949.408	1.949.408.00	1.949.408.00-0	1.949.408.00-0	1.949.408.00-1
Air Deflector/Filter Unit	1.949.599	-	-	-	-
Fan Unit	1.949.597	-	-	-	-
XLR Break-Out Box 1:8 FF	1.949.581	1.949.581.00	1.949.581.00-0	1.949.581.00-0	1.949.581.00-0
XLR Break-Out Box 1:8 MM	1.949.582	1.949.582.00	1.949.581.00-0	1.949.581.00-0	1.949.582.00-0
XLR Break-Out Box 1:8 FM	1.949.583	1.949.583.00	1.949.581.00-0	1.949.581.00-0	1.949.583.00-0
XLR Break-Out Box 2:8 FF	1.949.584	1.949.584.00	1.949.584.00-0	1.949.584.00-0	1.949.584.00-0
XLR Break-Out Box 1:4 F	1.949.585	1.949.585.00	1.949.584.00-0	1.949.584.00-0	1.949.585.00-0
AES/EBU to BNC Break-Out Box	1.949.586	1.949.587.00	1.949.587.00-0	1.949.587.00-0	1.949.587.00-0
GPIO Break-Out Box	1.949.588	1.949.589.00	1.949.589.00-0	1.949.589.00-0	1.949.589.00-0
Discontinued Cards					
HD Card	1.949.410	1.949.410.25	1.949.410.21-0	1.949.410.21-0	1.949.410.25-0

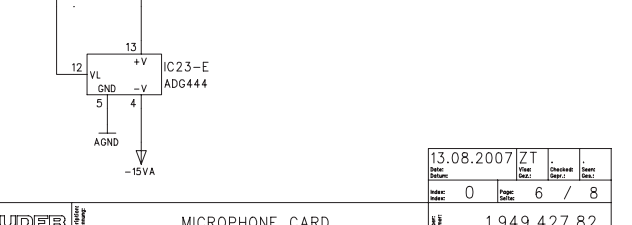
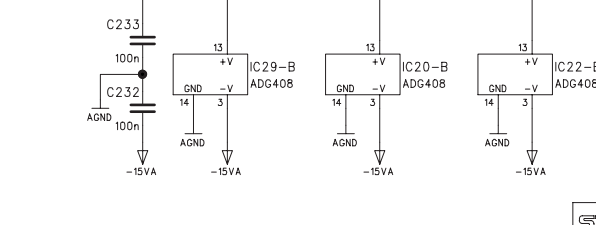
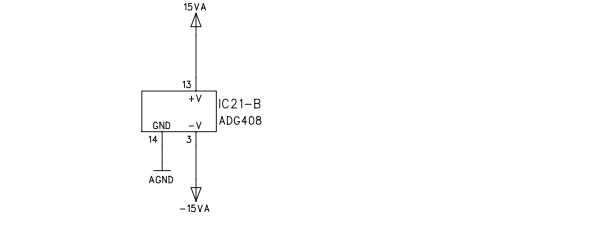
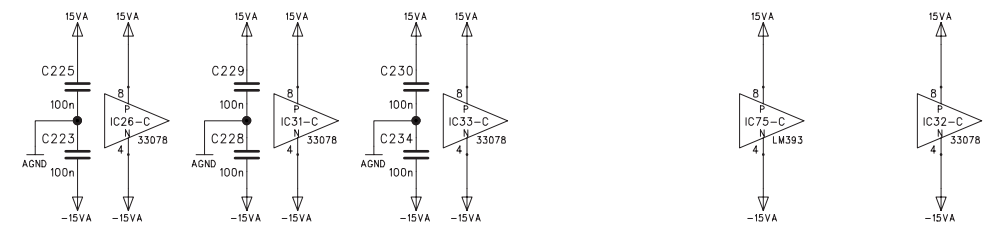
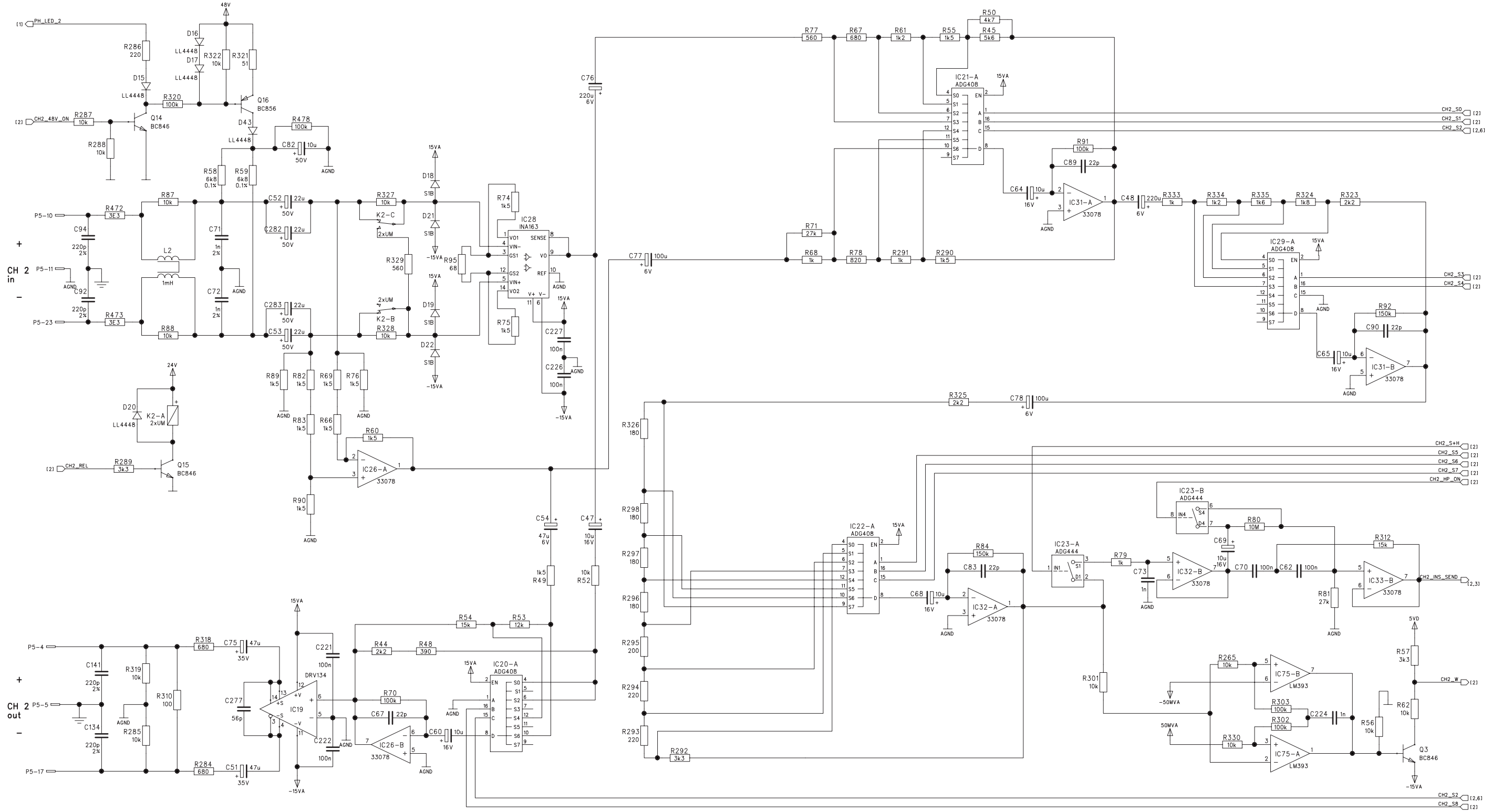


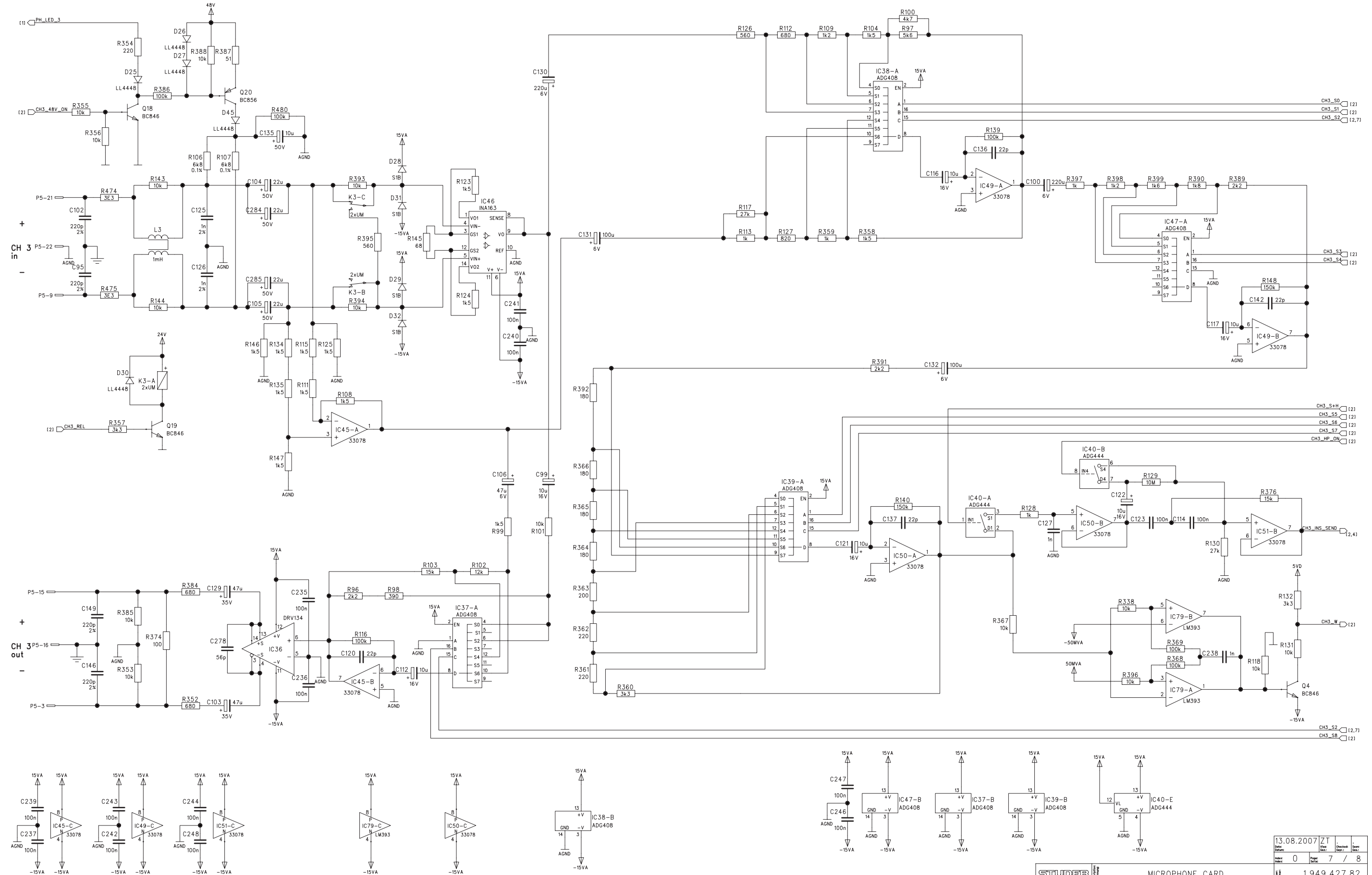




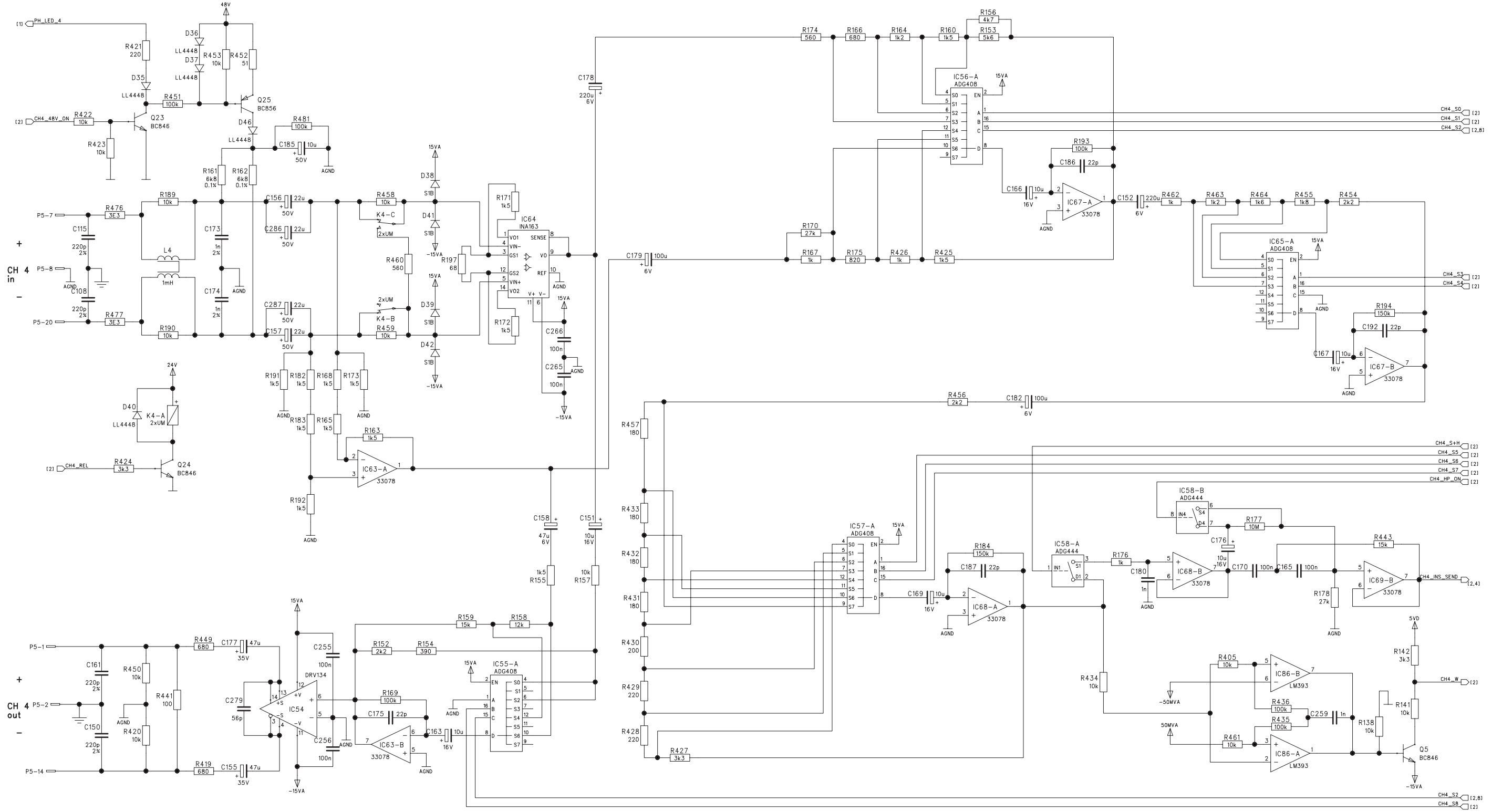




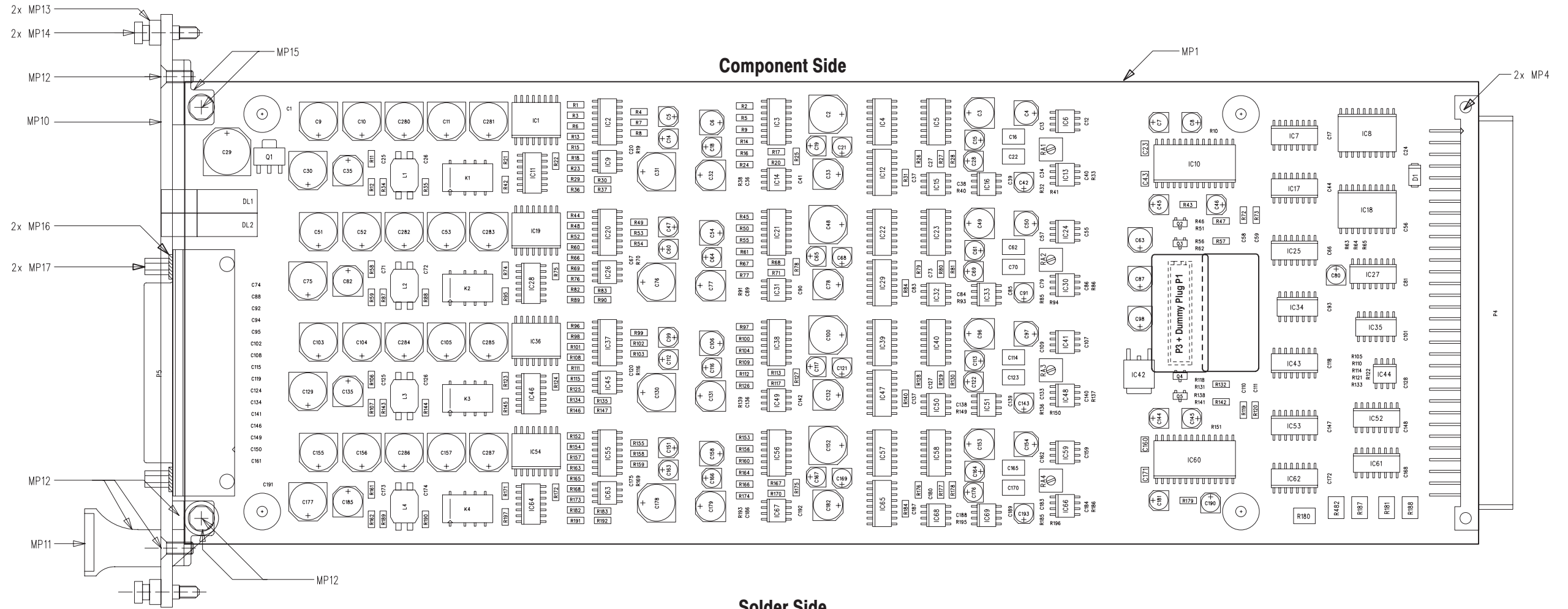




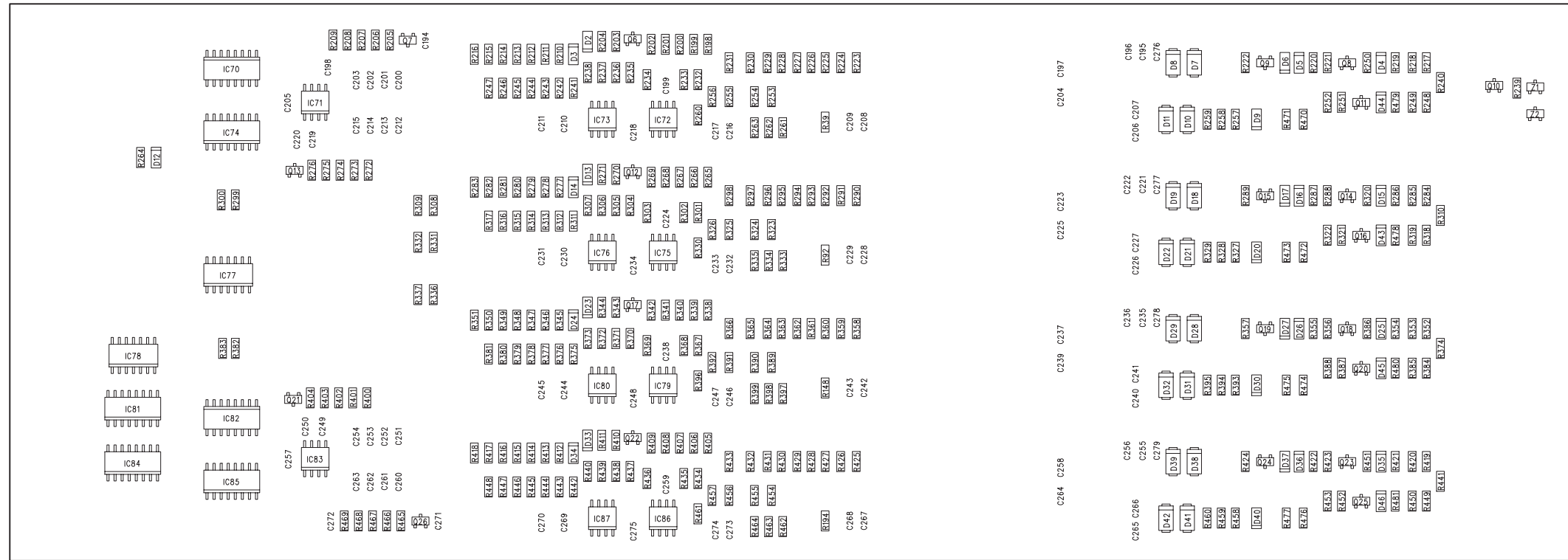
13.08.2007	ZT			
Date:	Sheet:	Order No.:	Checked:	Drawn:
0	7 / 8			
Issue:	Page:			
1.0	7 / 8			



Mic/Line In Card 1.949.427.82 (0)

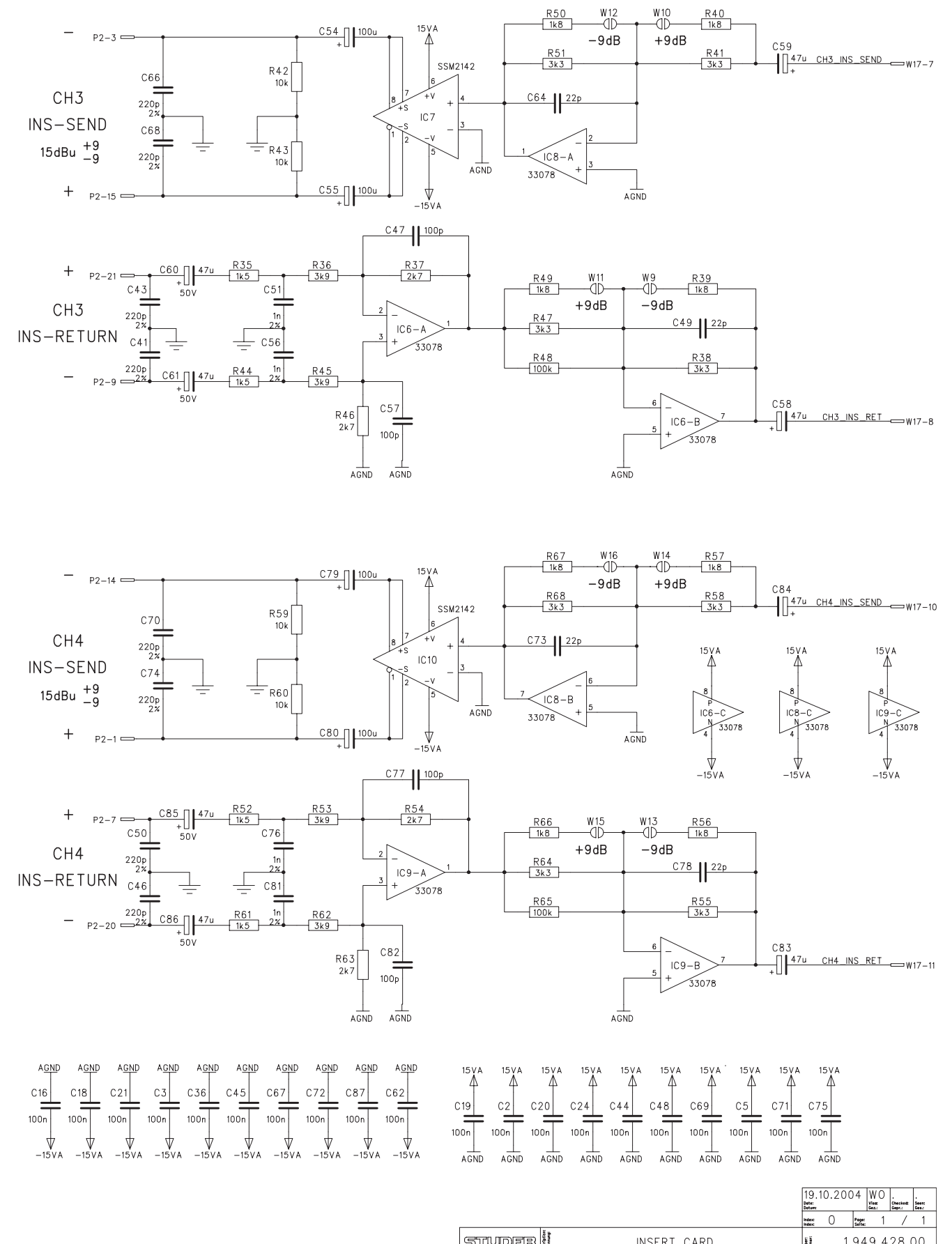
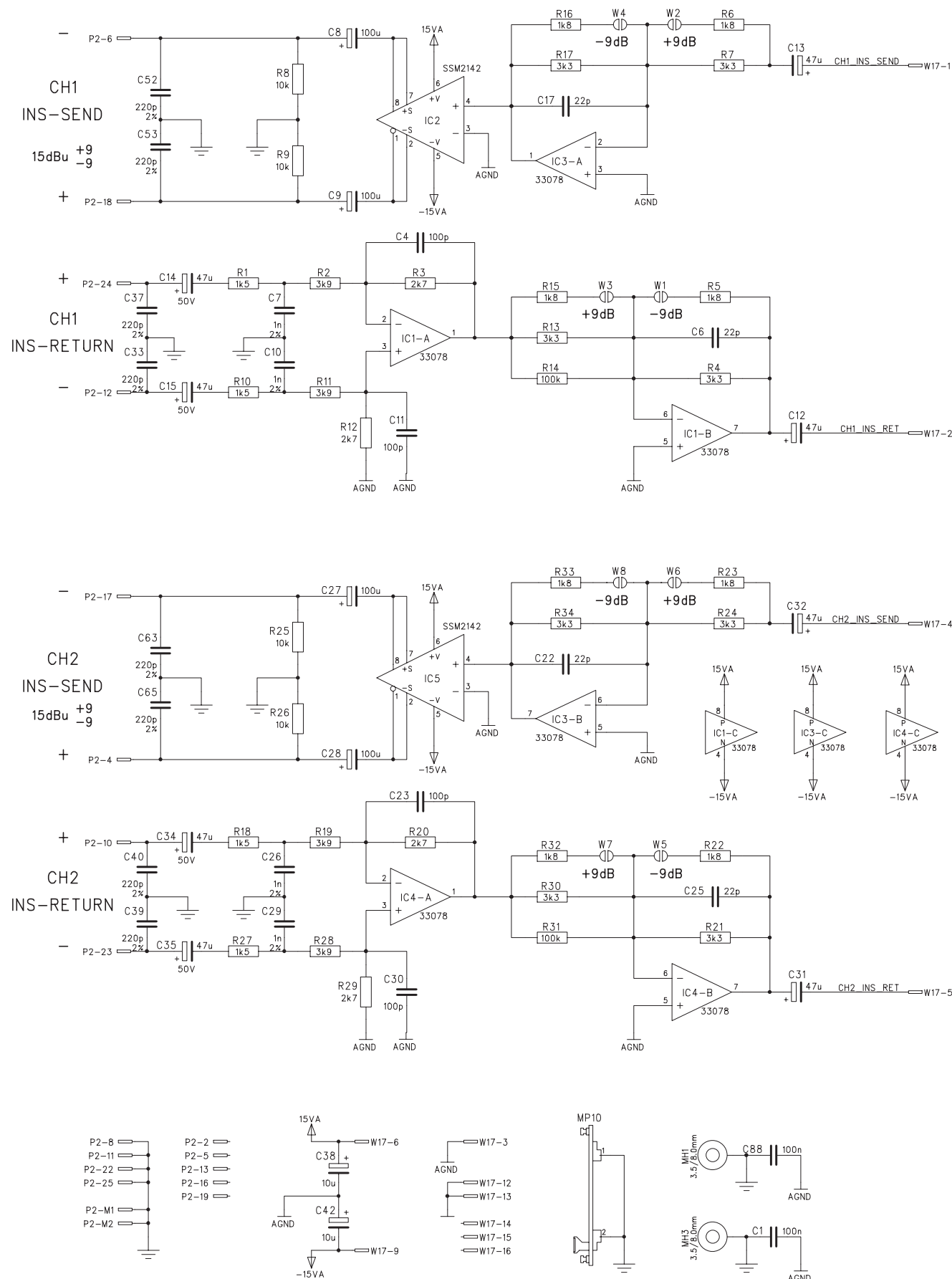


Solder Side

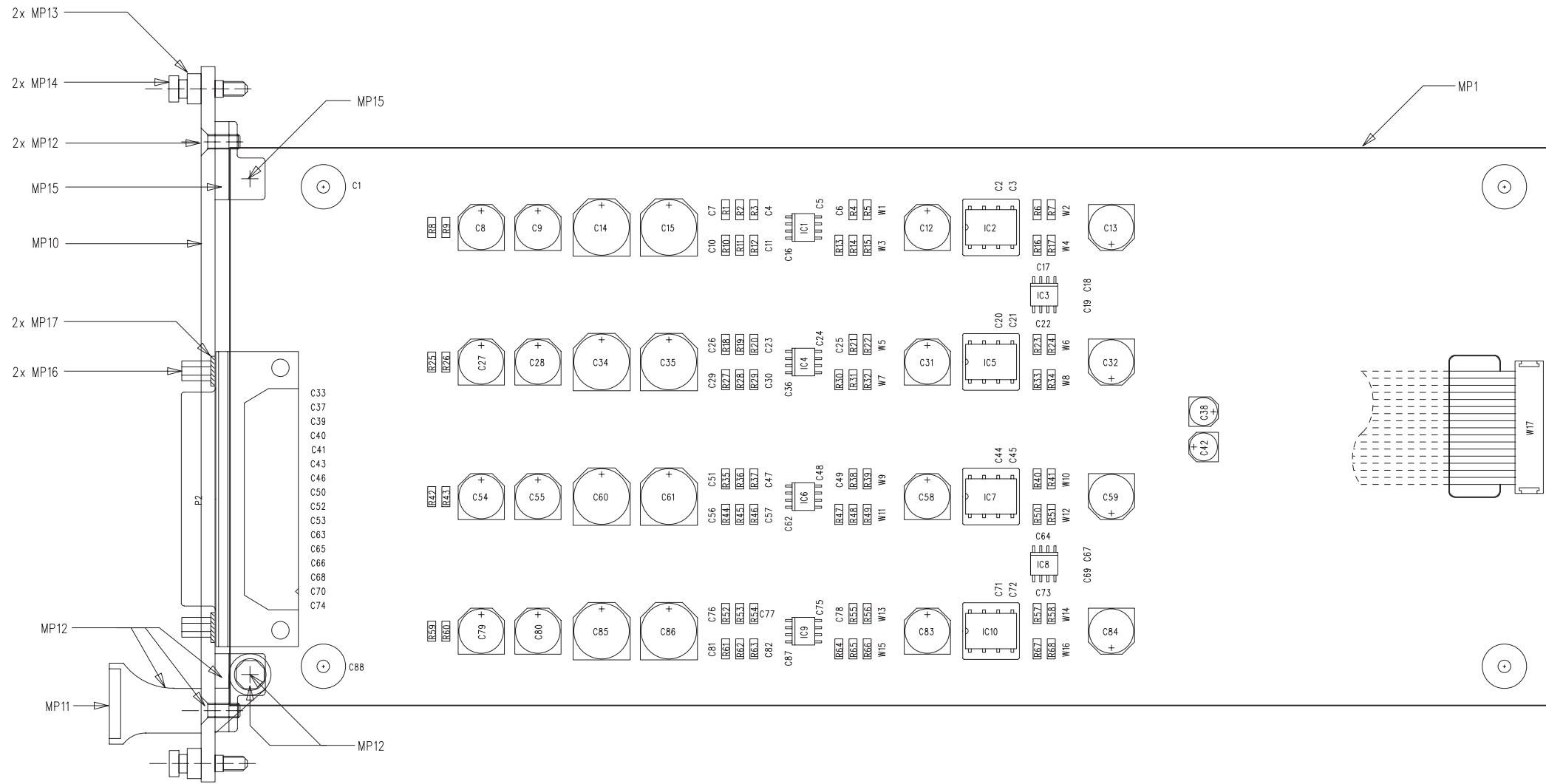


13.08.2007	ZT	ML	HW
0			

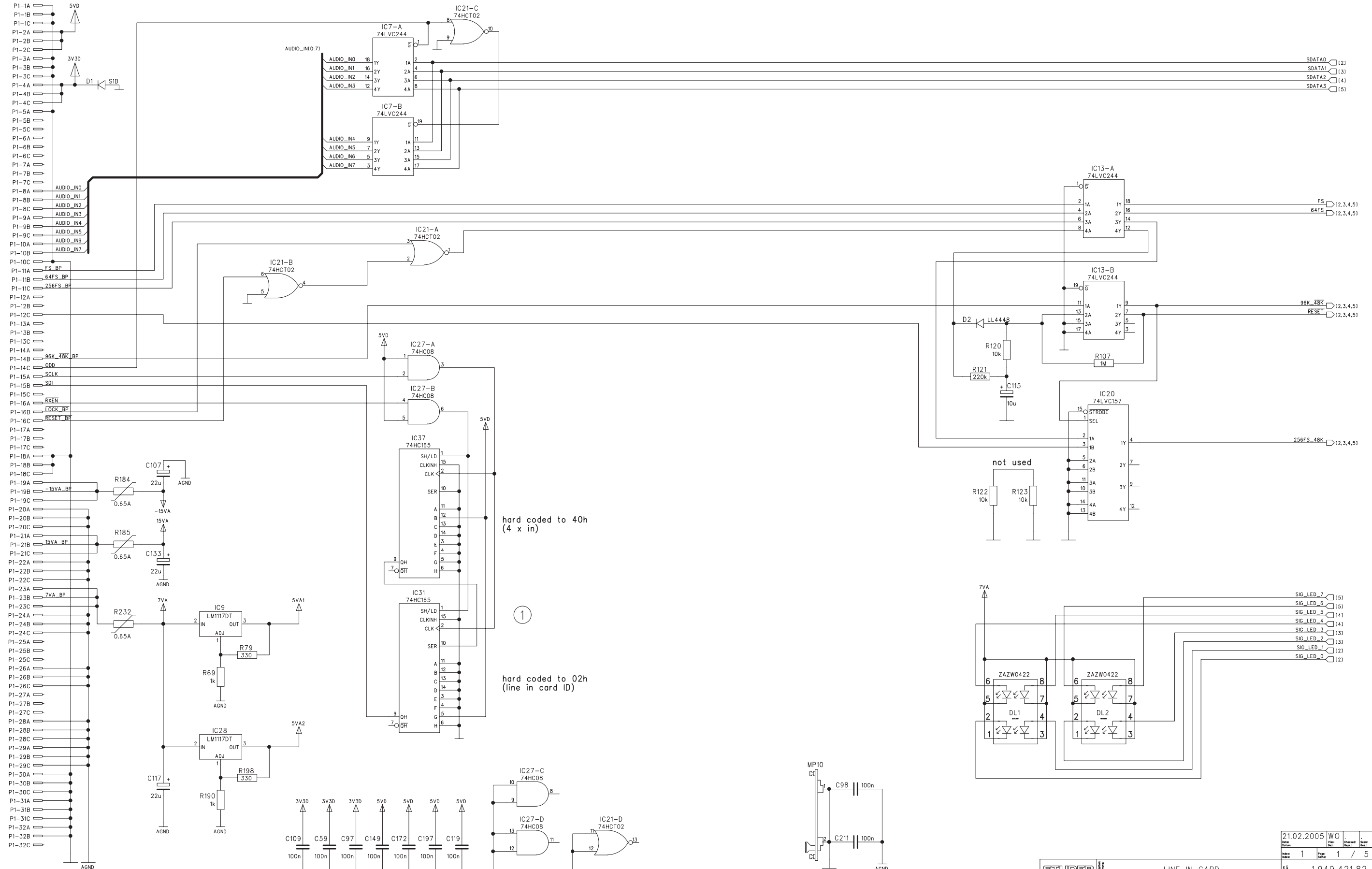
Analog Insert Card 1.949.428.00 (2)



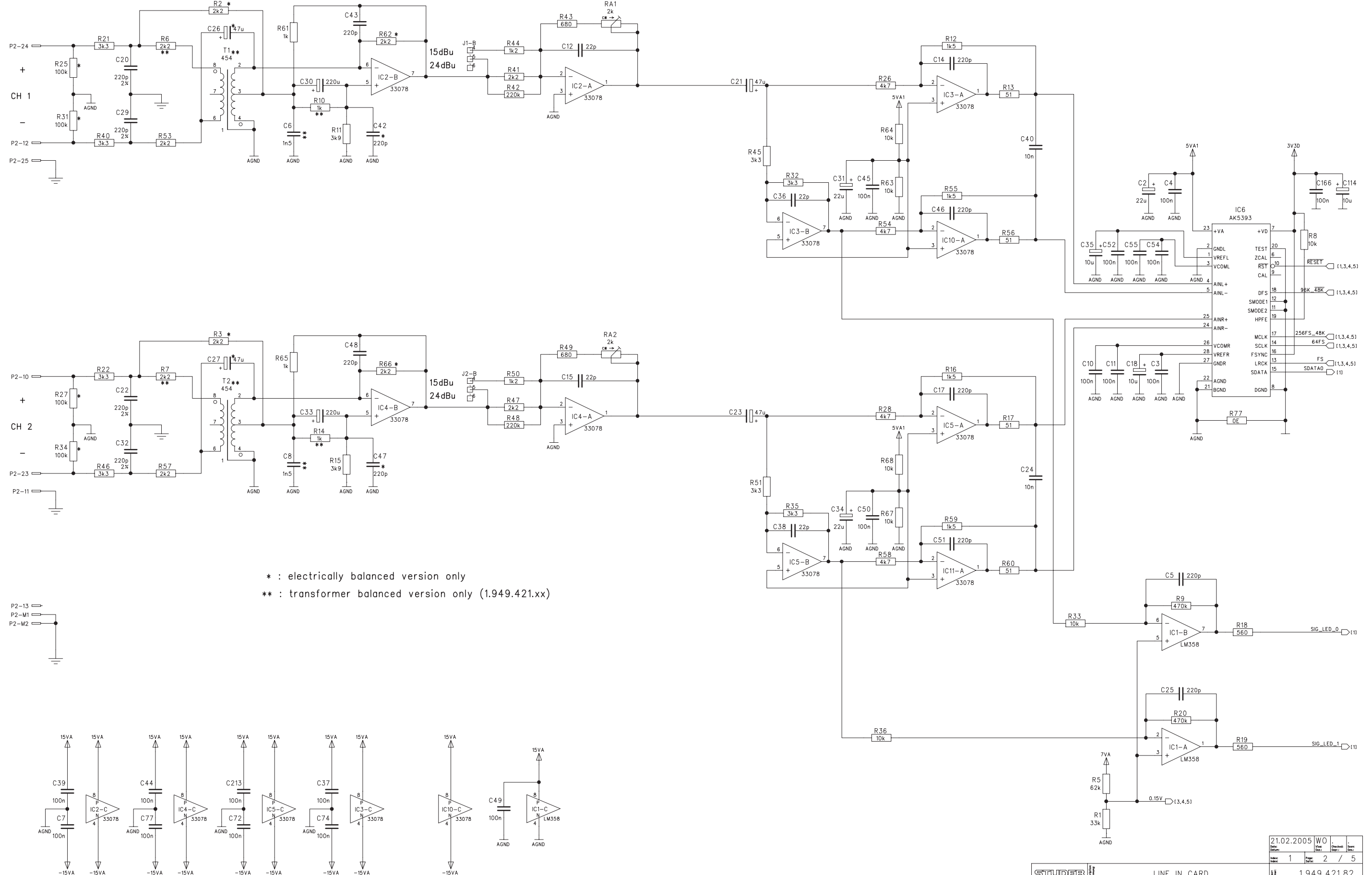
Analog Insert Card 1.949.428.00 (2)



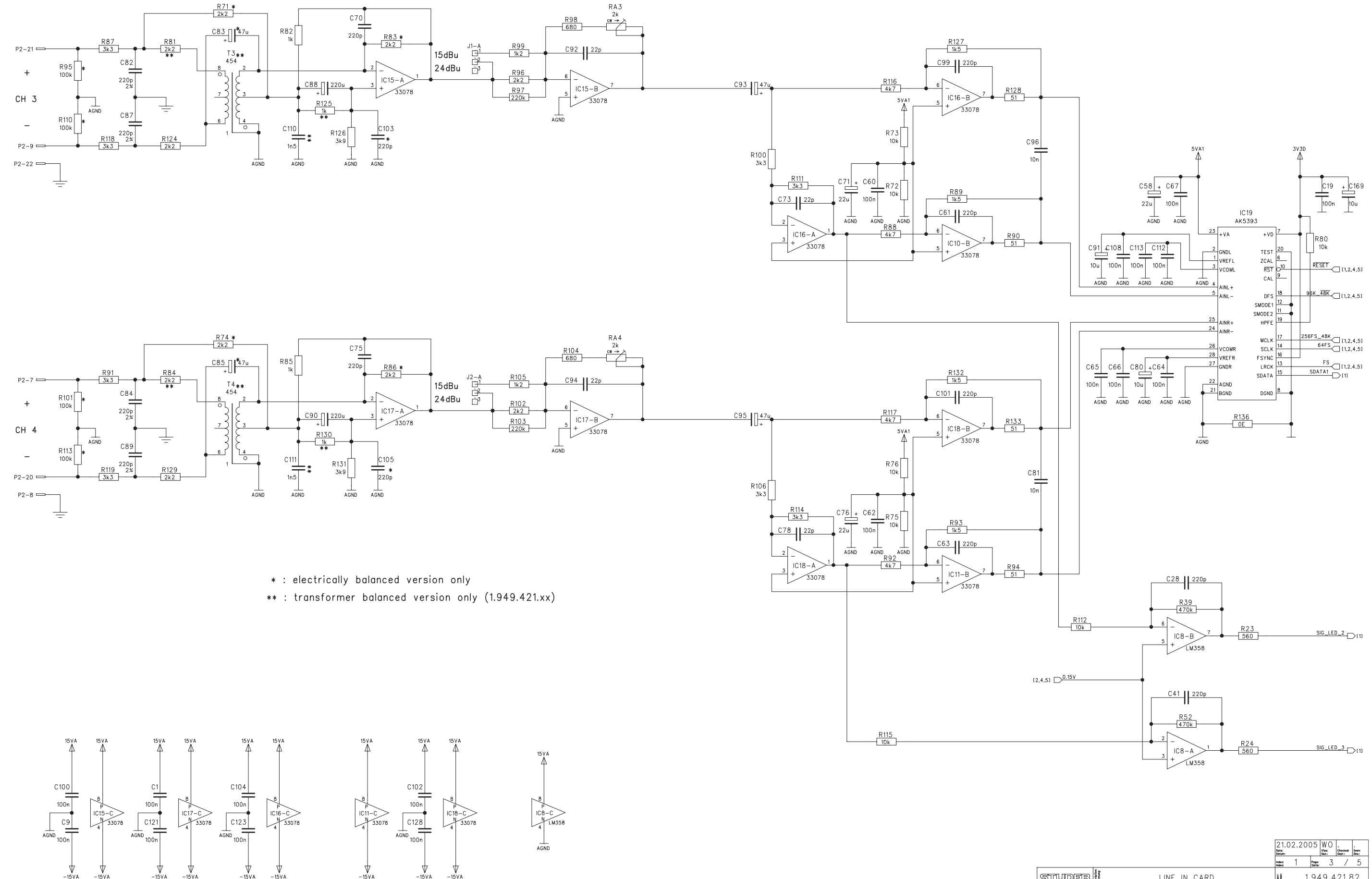
Line In Card 1.949.421.82 (1)



Line In Card 1.949.421.82 (1)



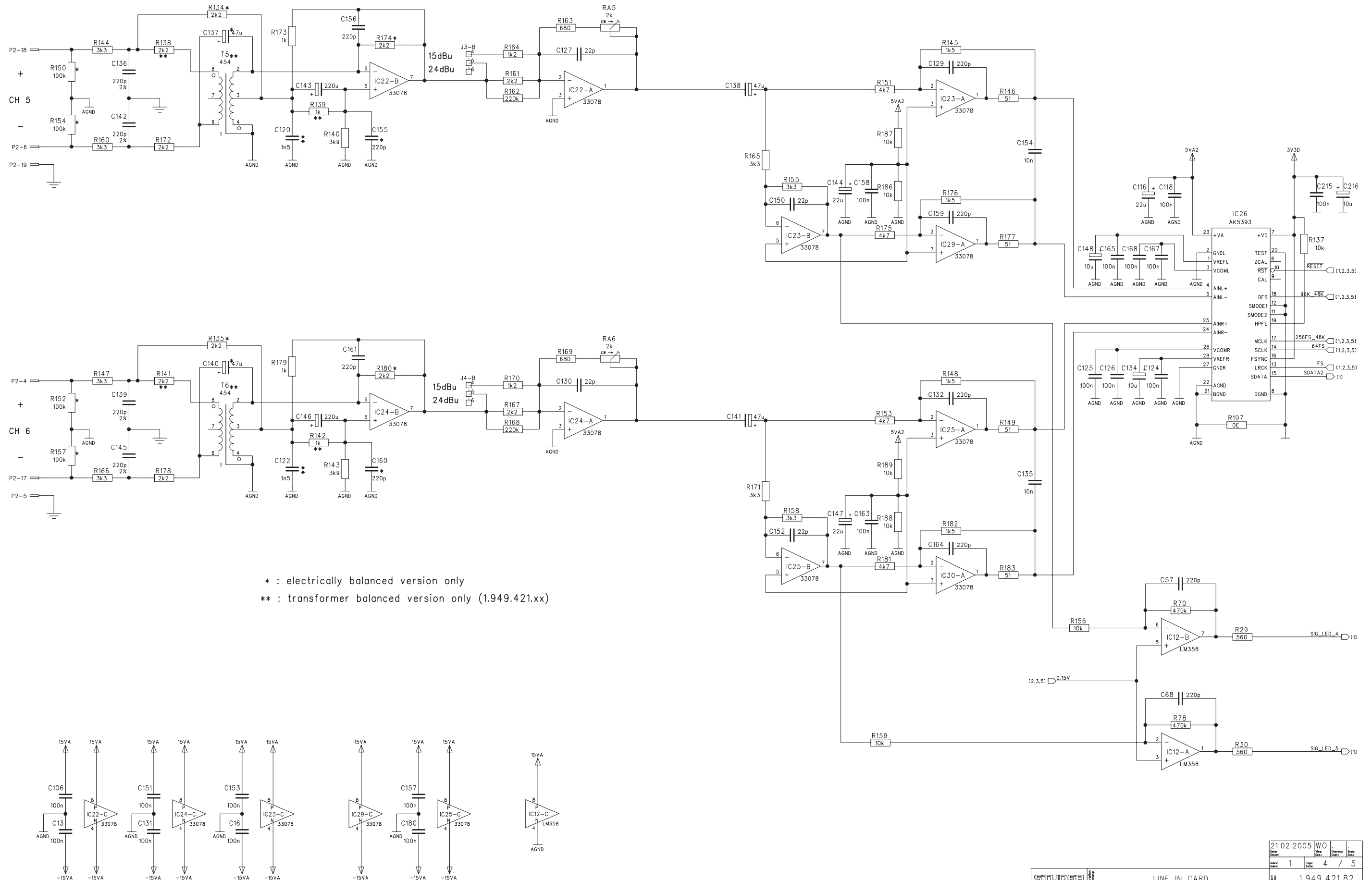
Line In Card 1.949.421.82 (1)



* : electrically balanced version only
 ** : transformer balanced version only (1.949.421.xx)

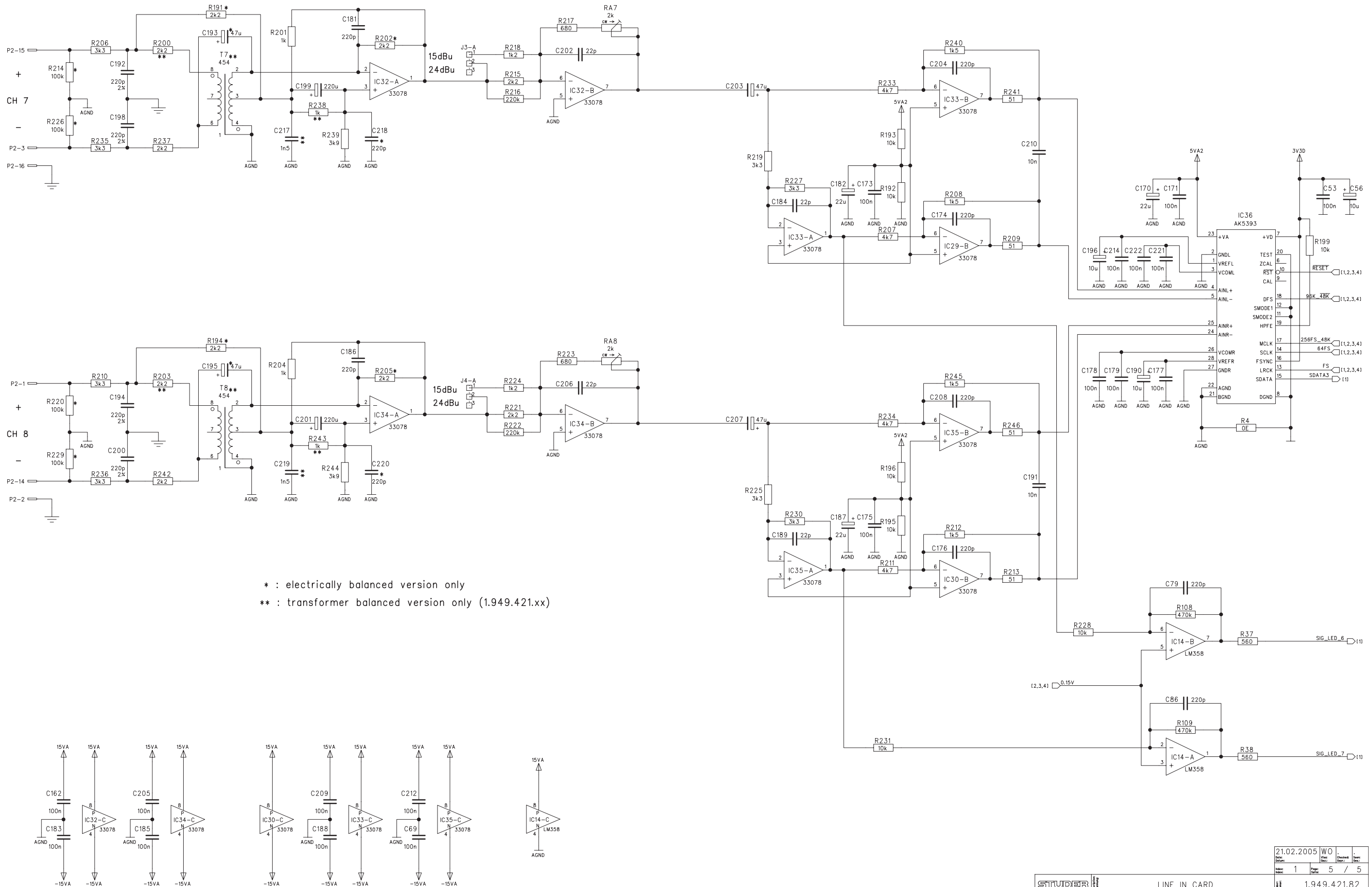
Date:	21.02.2005	WO:			
Drawn:		View:		Checked:	
Index:	1	Page:	3 / 5	Drawn:	

Line In Card 1.949.421.82 (1)

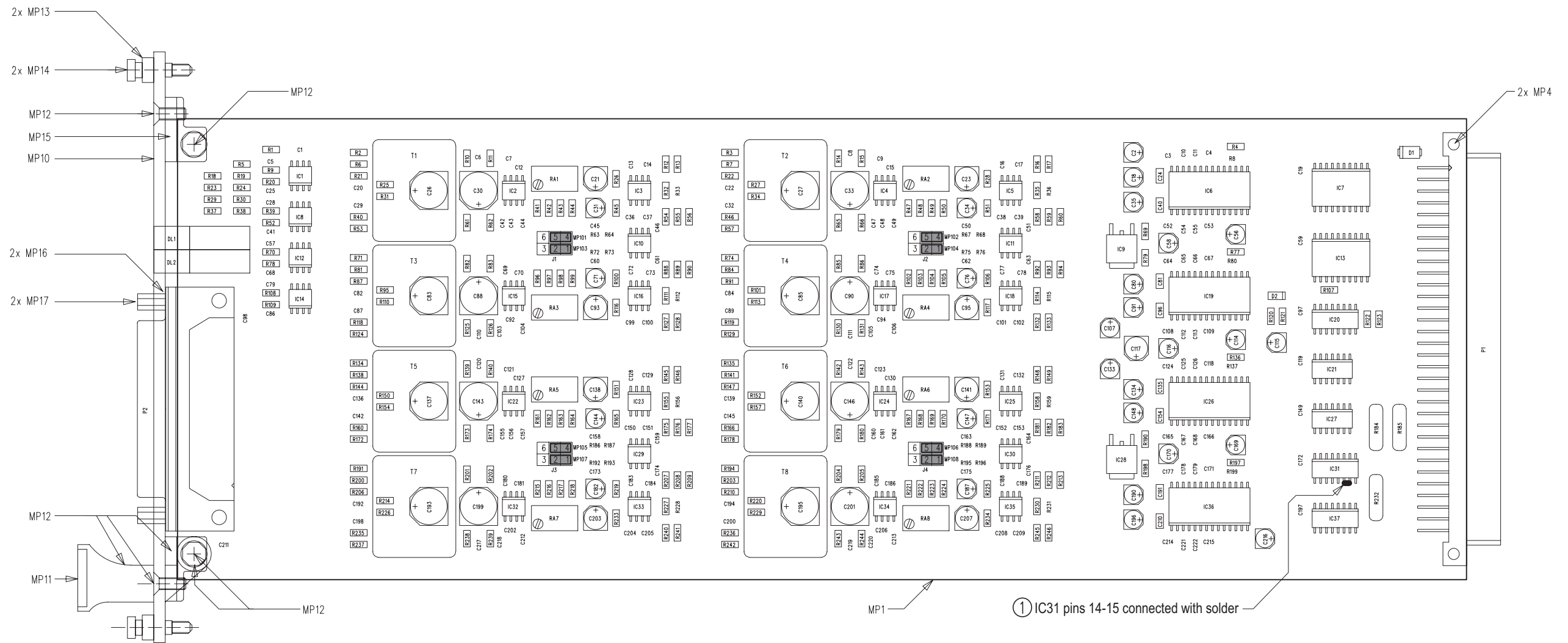


* : electrically balanced version only
 ** : transformer balanced version only (1.949.421.xx)

Line In Card 1.949.421.82 (1)

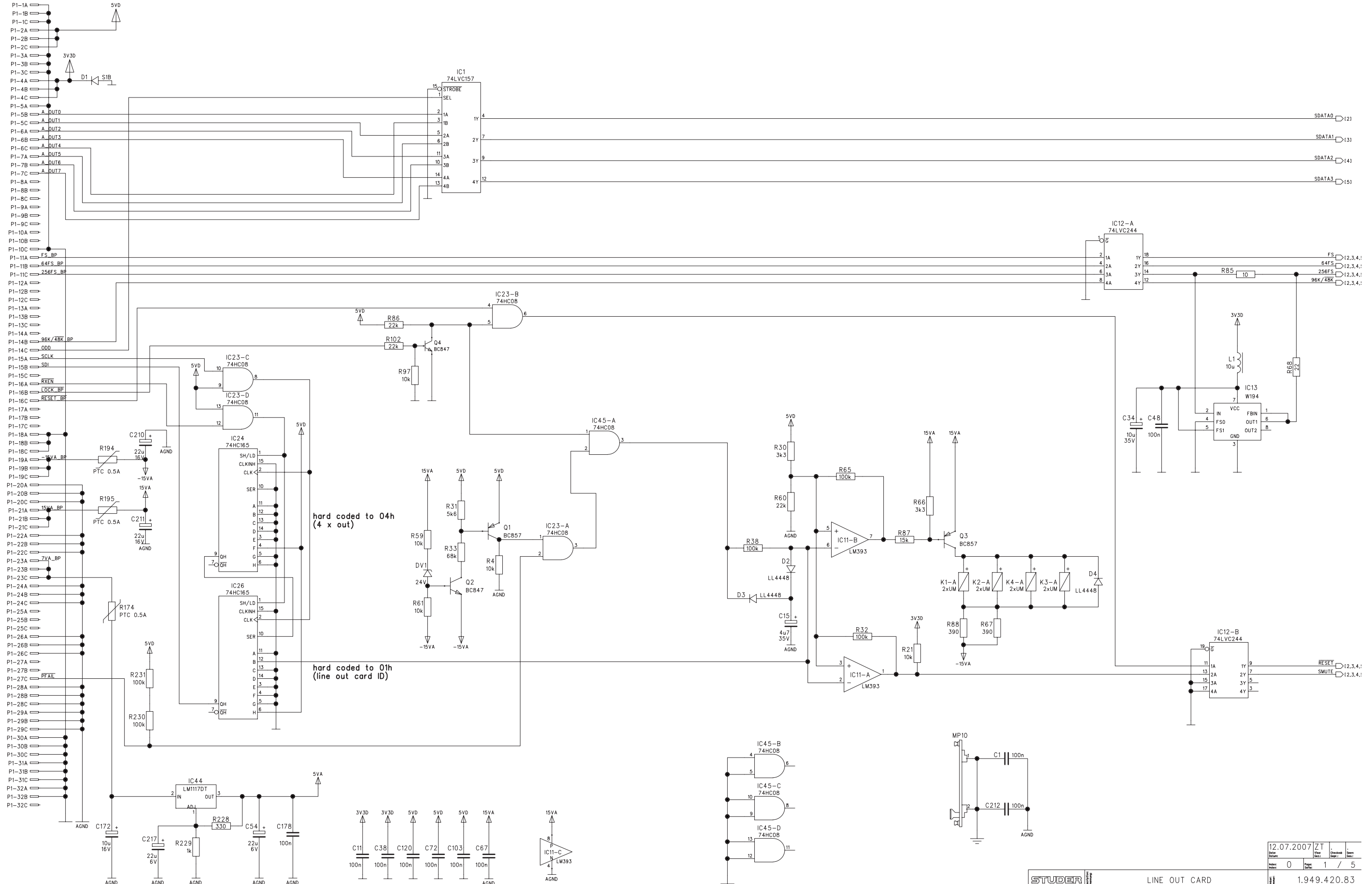


Line In Card 1.949.421.82 (1)



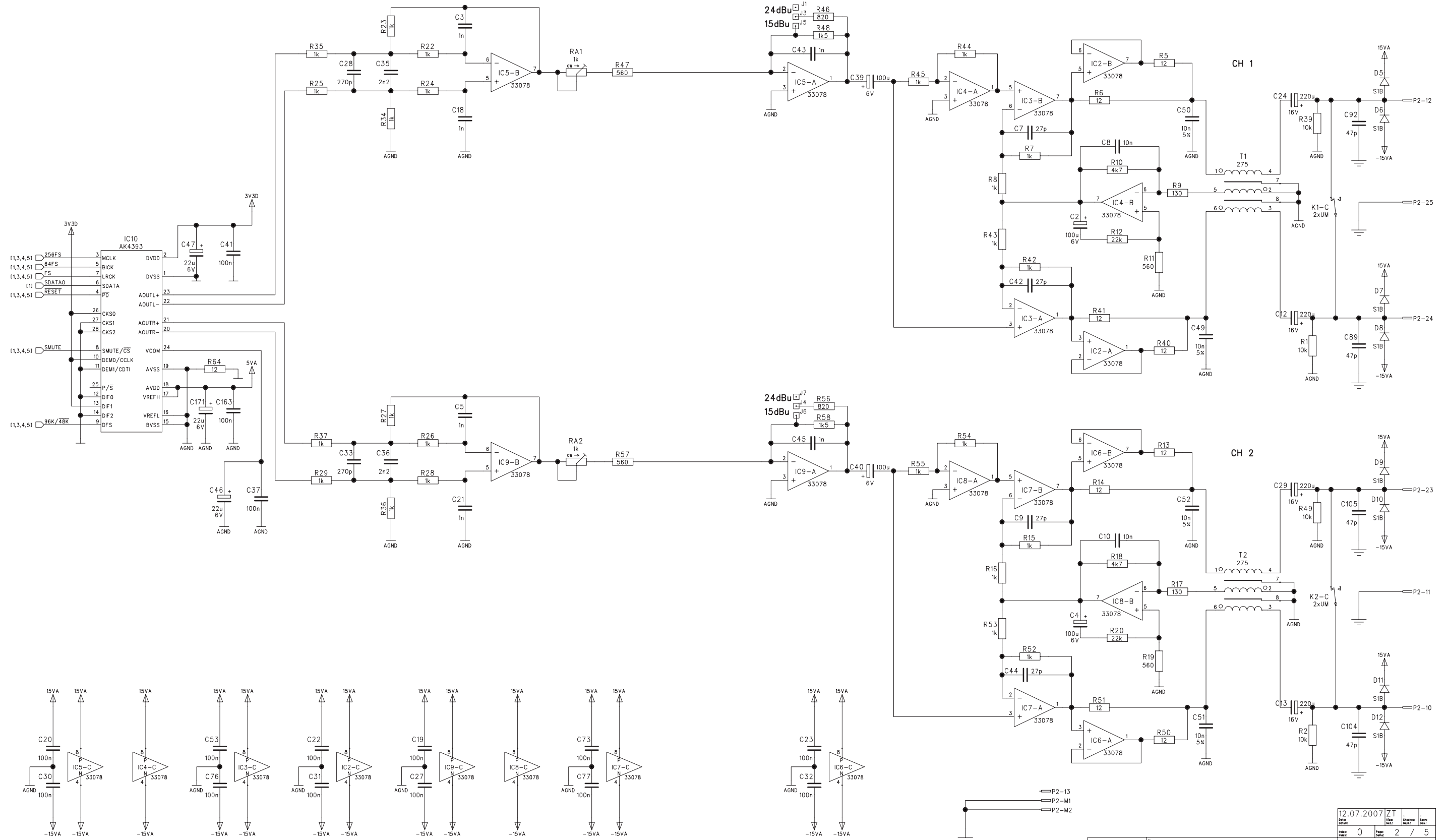
Line Out Card 1.949.420.83 (0)

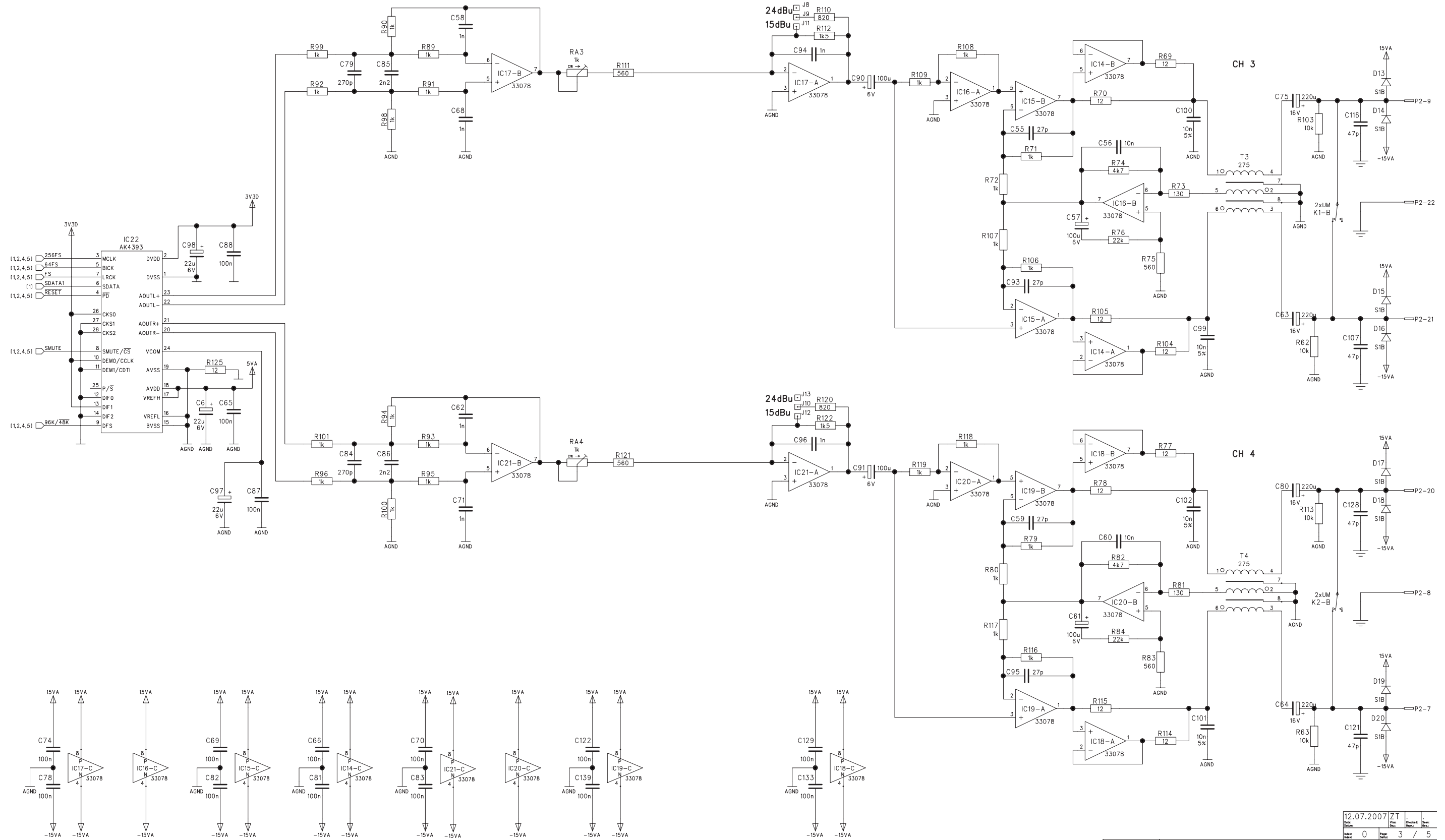
Page: 1/5



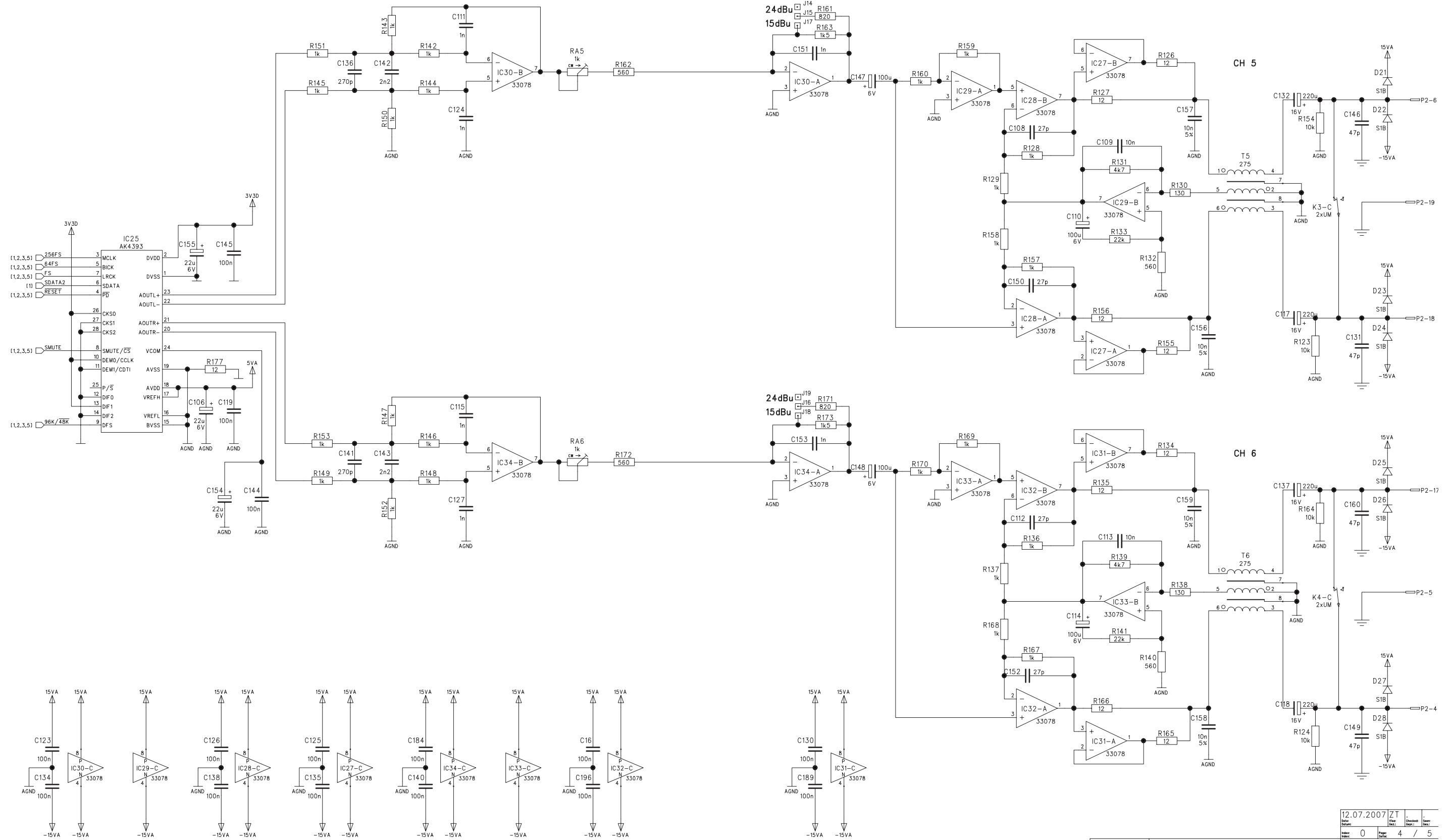
Date printed: 01.10.07

Date:	12.07.2007	By:	ZT	Check:		Date:	
Order:	0	Part:	1	Page:	1 / 5	Order:	
				1.949.420.83			

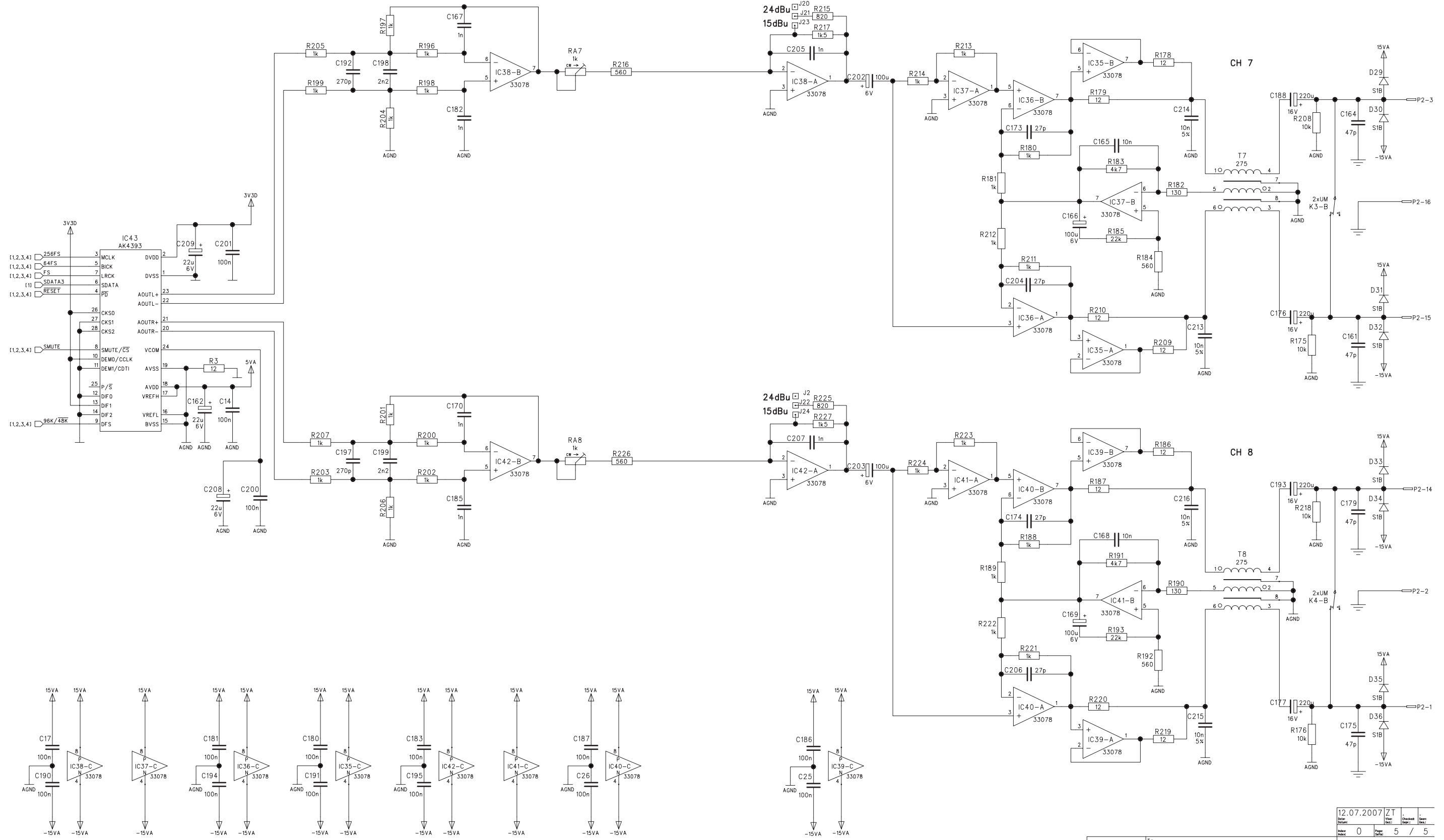




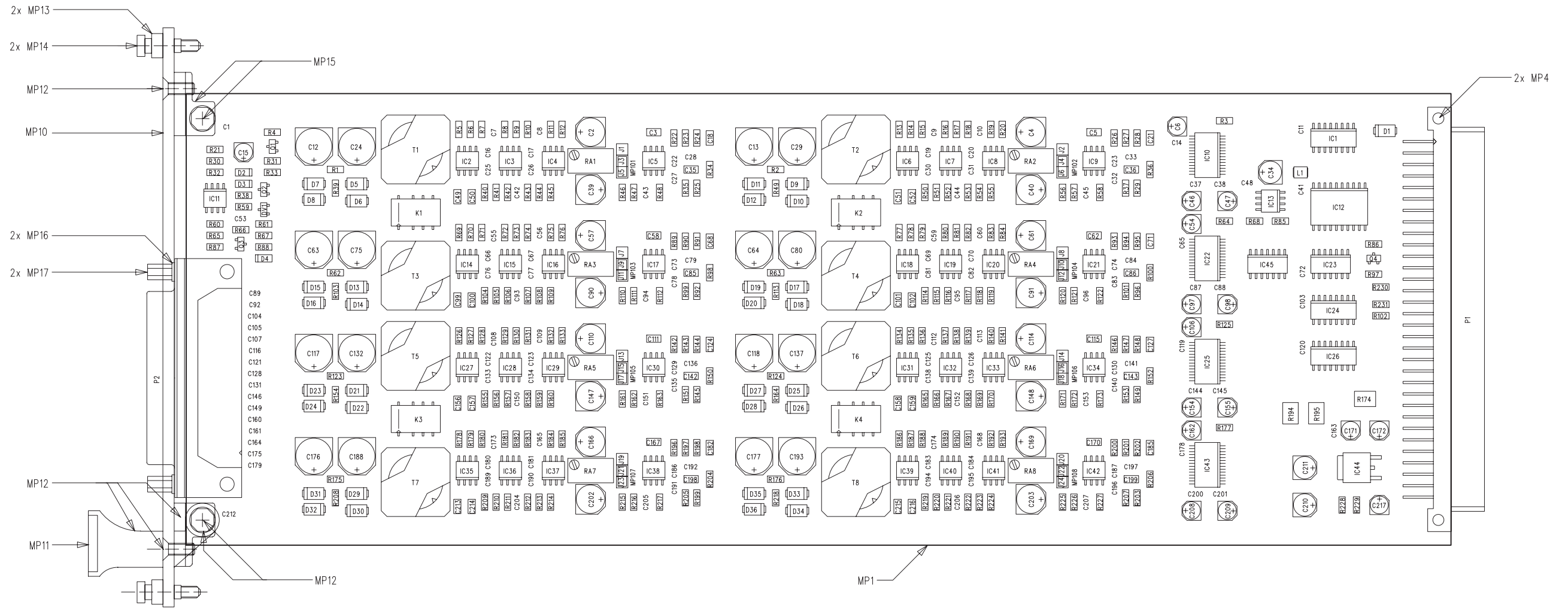
12.07.2007	ZT		
0	3	5	



Date:	12.07.2007	ZT		
Order:	0	Page:	4	5

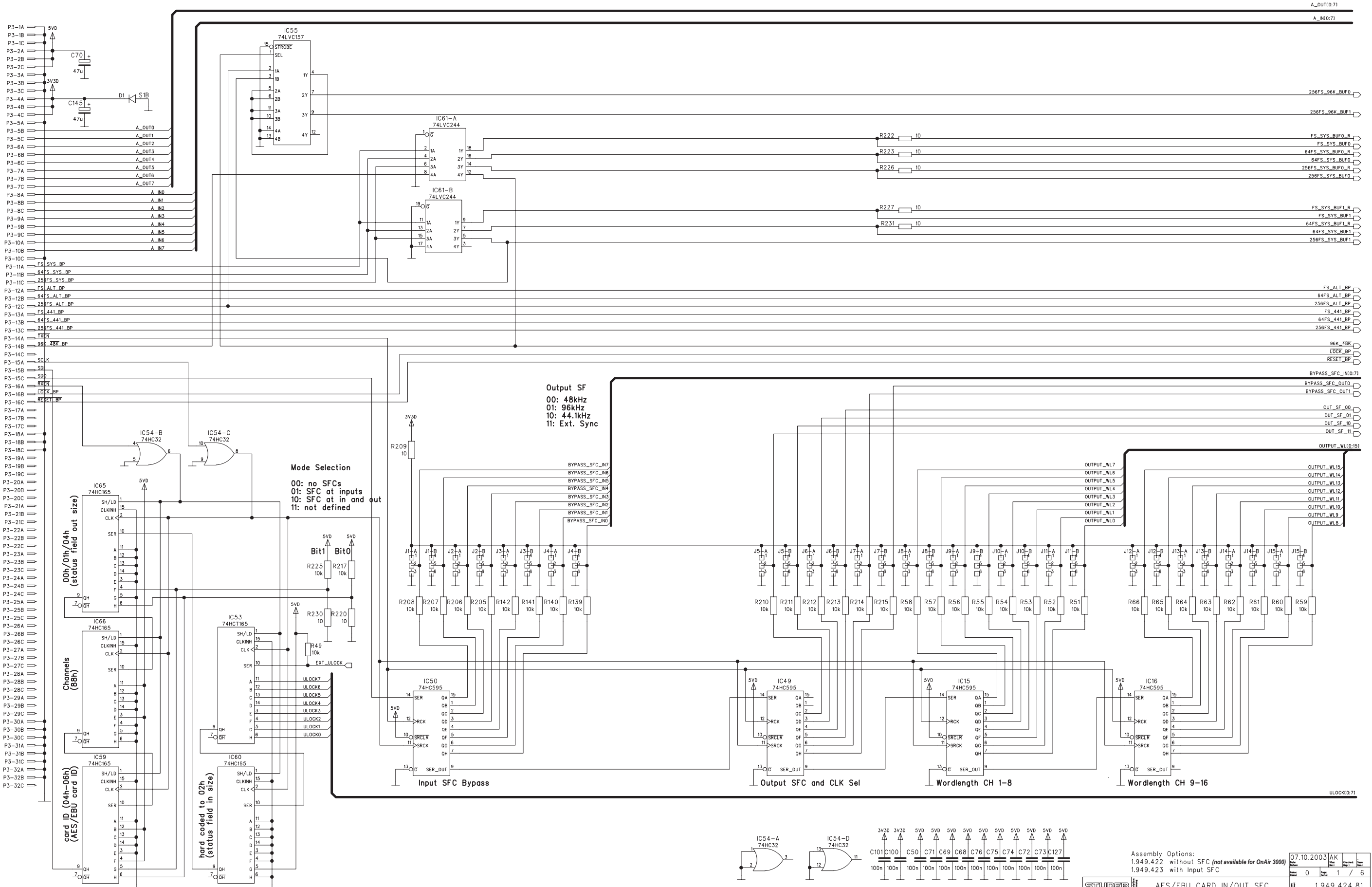


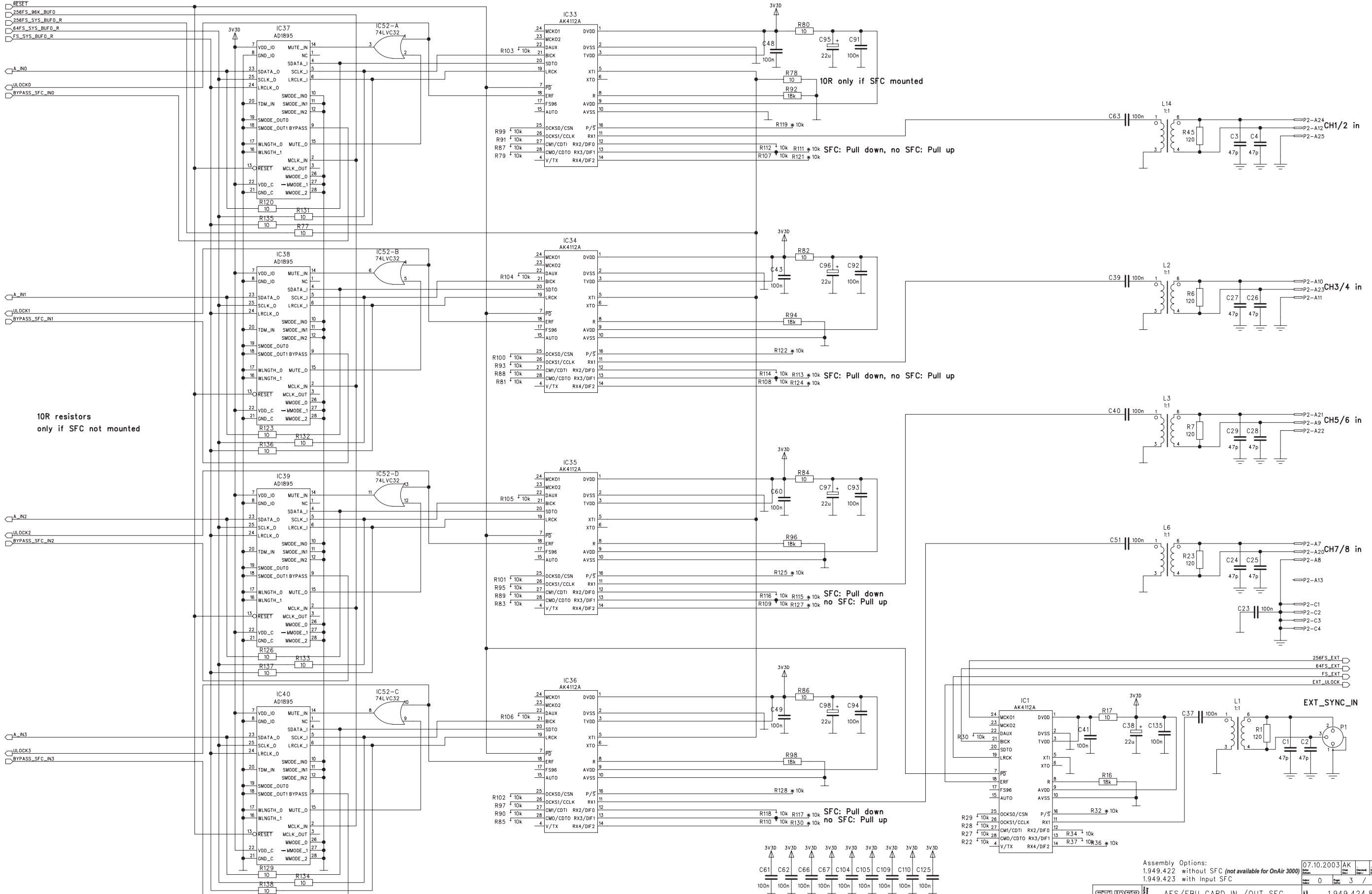
Line Out Card 1.949.420.83 (0)

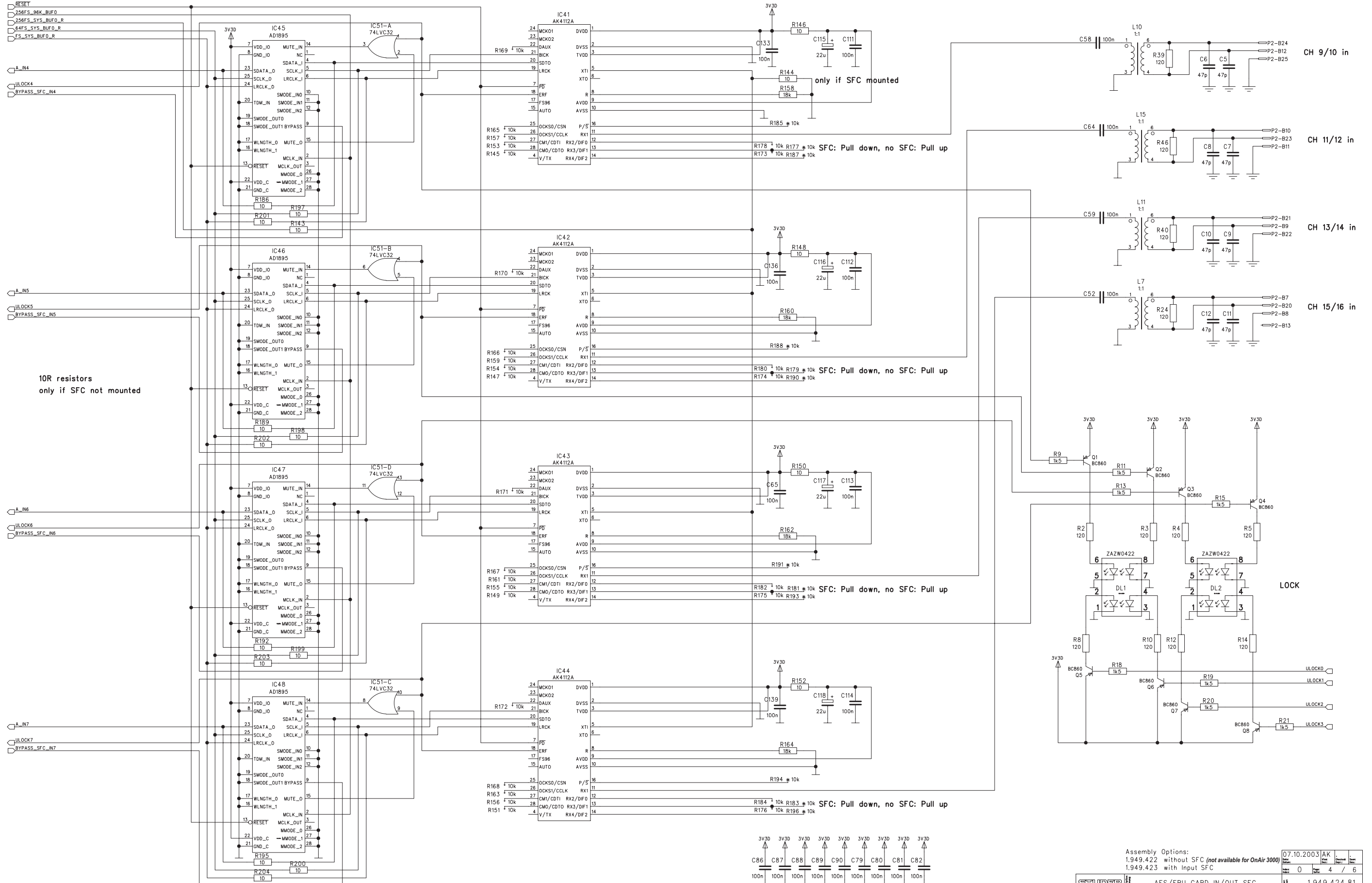


Date printed: 01.10.07

Accounting Number: PL		Serial Number: -		Lot: -		Date: 12.07.2007		ZT		ML		HW	
Zugabe Menge: 0		Zugabe Menge: 0		Zugabe Menge: 0		Zugabe Menge: 0		Zugabe Menge: 0		Zugabe Menge: 0		Zugabe Menge: 0	
STUDER		LINE OUT CARD "ESE"		1.949.420.83		1 / 1							







10R resistors only if SFC not mounted

only if SFC mounted

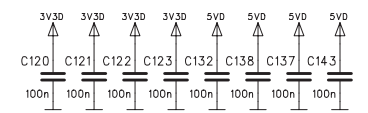
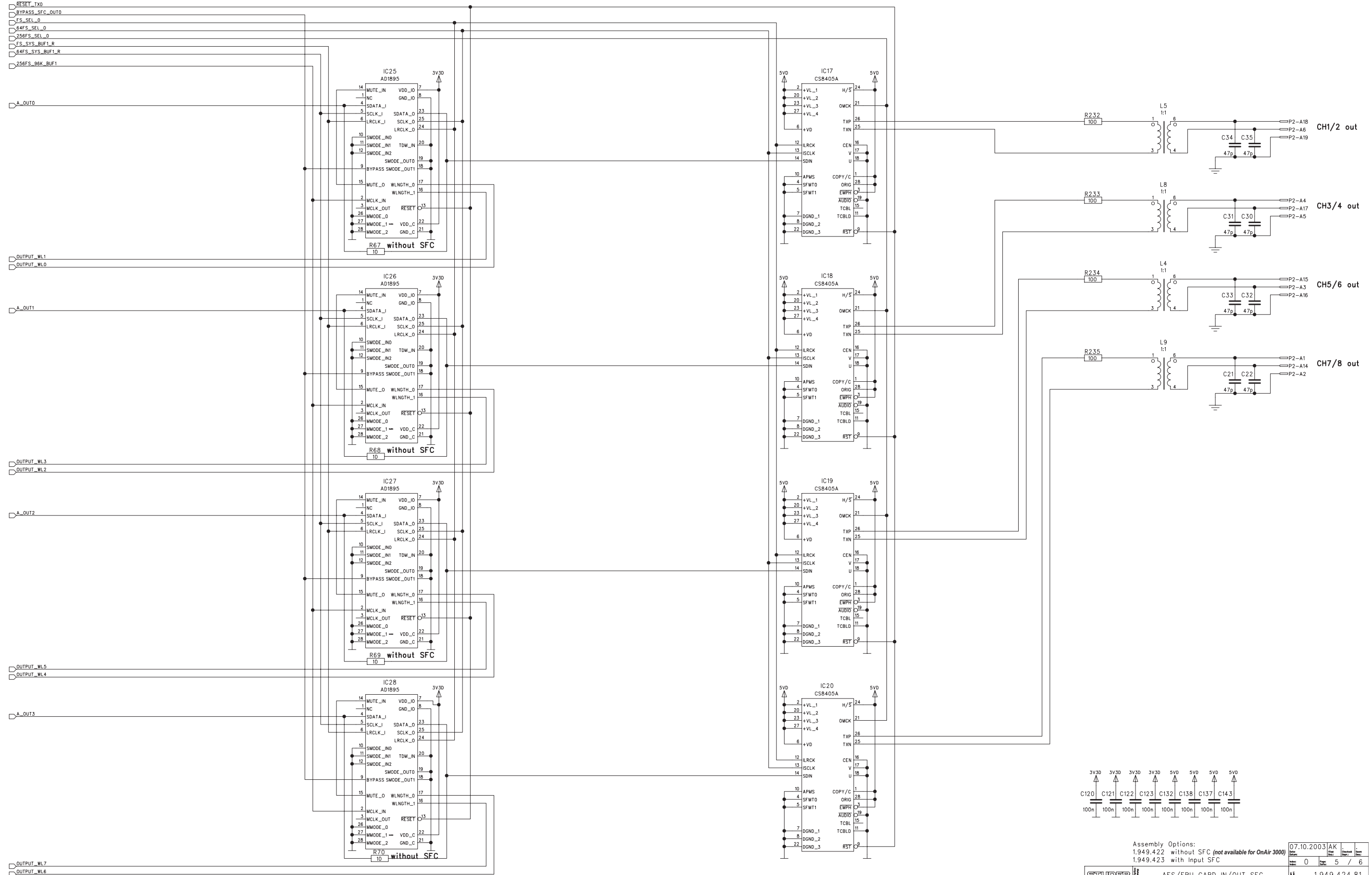
SFC: Pull down, no SFC: Pull up

SFC: Pull down, no SFC: Pull up

SFC: Pull down, no SFC: Pull up

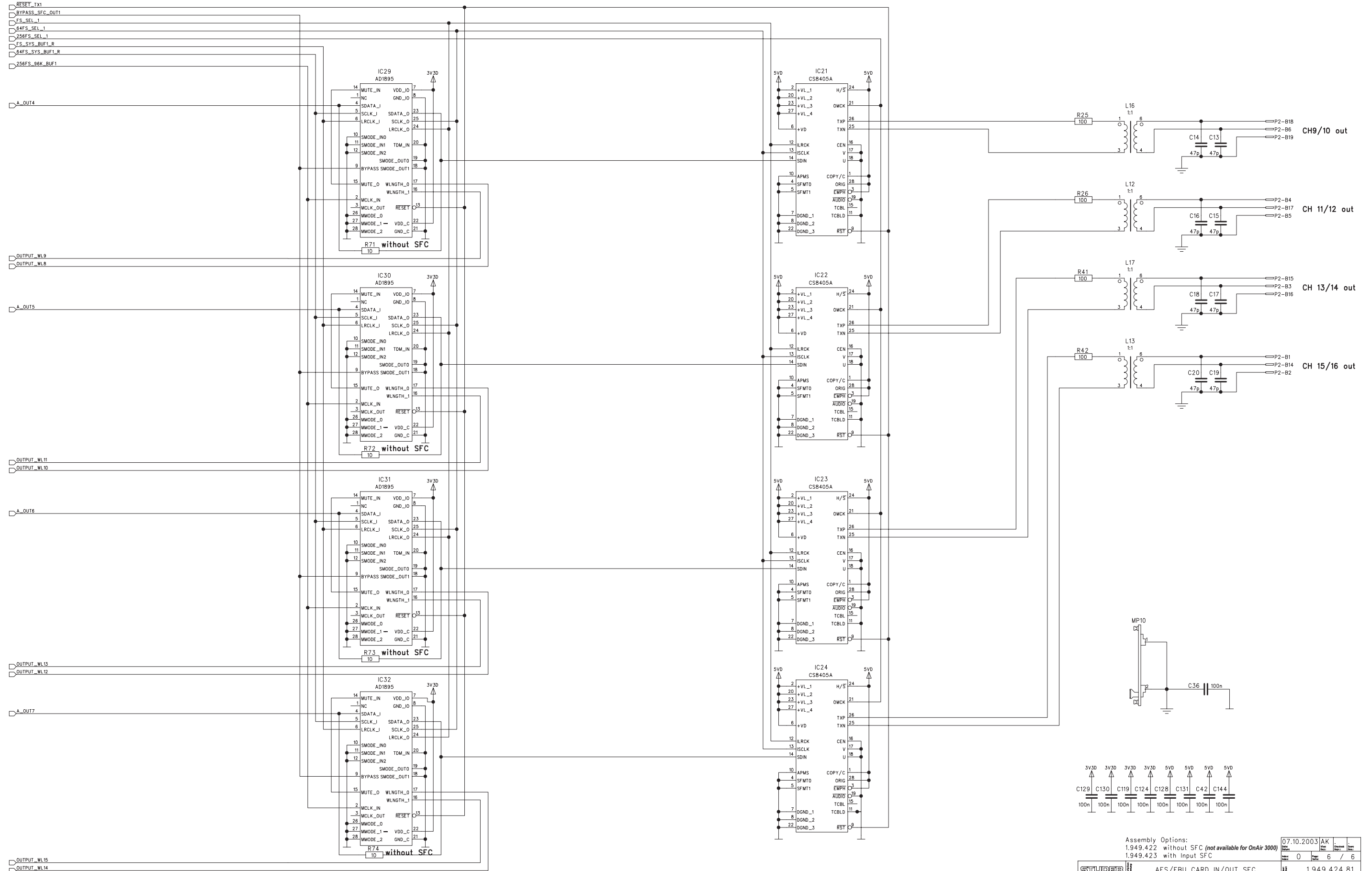
SFC: Pull down, no SFC: Pull up

Assembly Options:	07.10.2003	AK	
1.949.422 without SFC (not available for OnAir 3000)			
1.949.423 with Input SFC	0	4	6



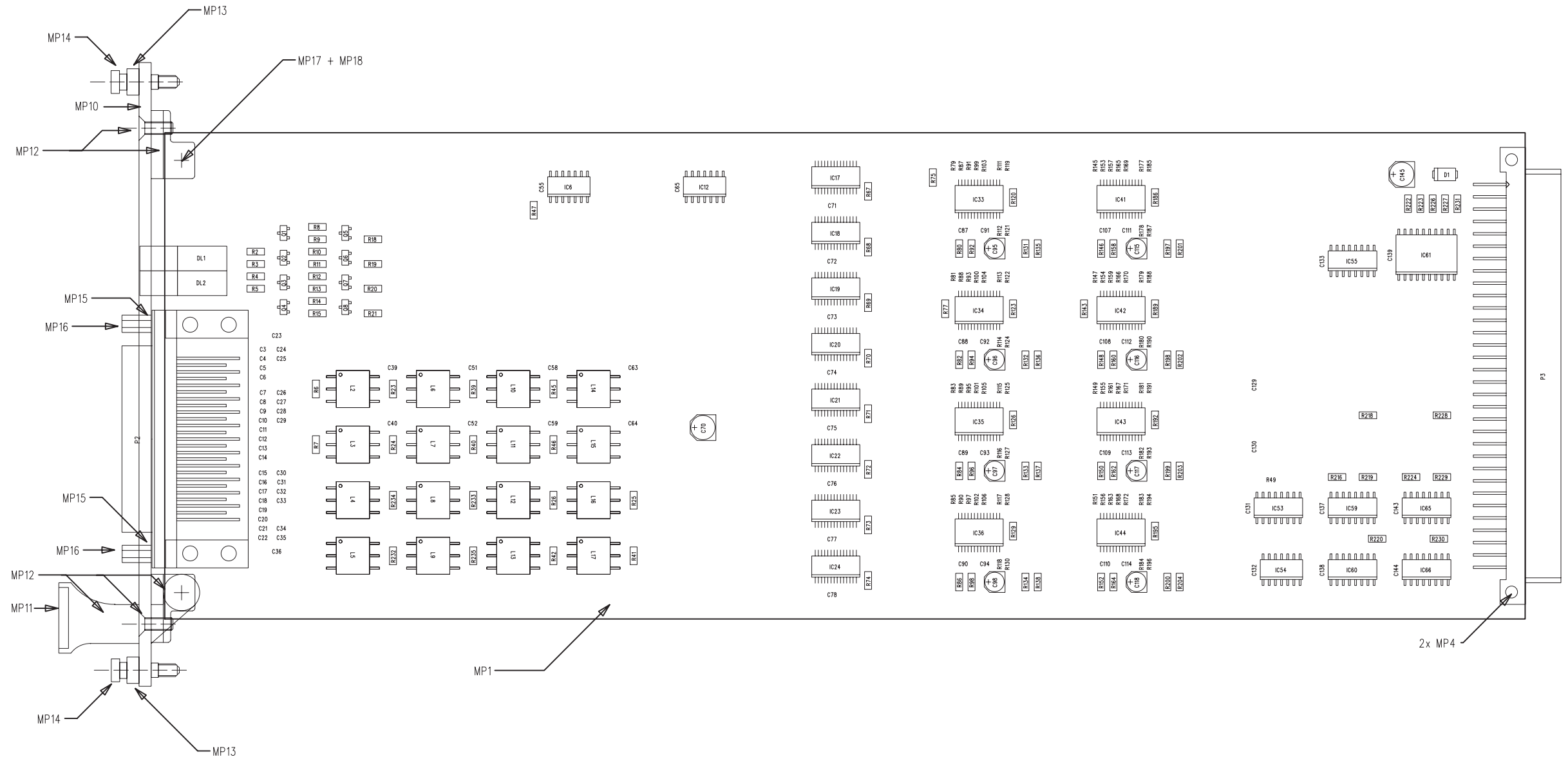
Assembly Options:

1.949.422 without SFC	07.10.2003	AK	
1.949.423 with Input SFC	0	5	6



Assembly Options:		07.10.2003	AK	
1.949.422	without SFC (not available for OnAir 3000)	0	6	6
1.949.423	with Input SFC			
STUDER AES/EBU CARD IN/OUT SFC		1.949.424.81		

AES/EBU I/O Card 1.949.422.82 (1) (not available for OnAir 3000)



AES/EBU I/O Card 1.949.422.82 (1)

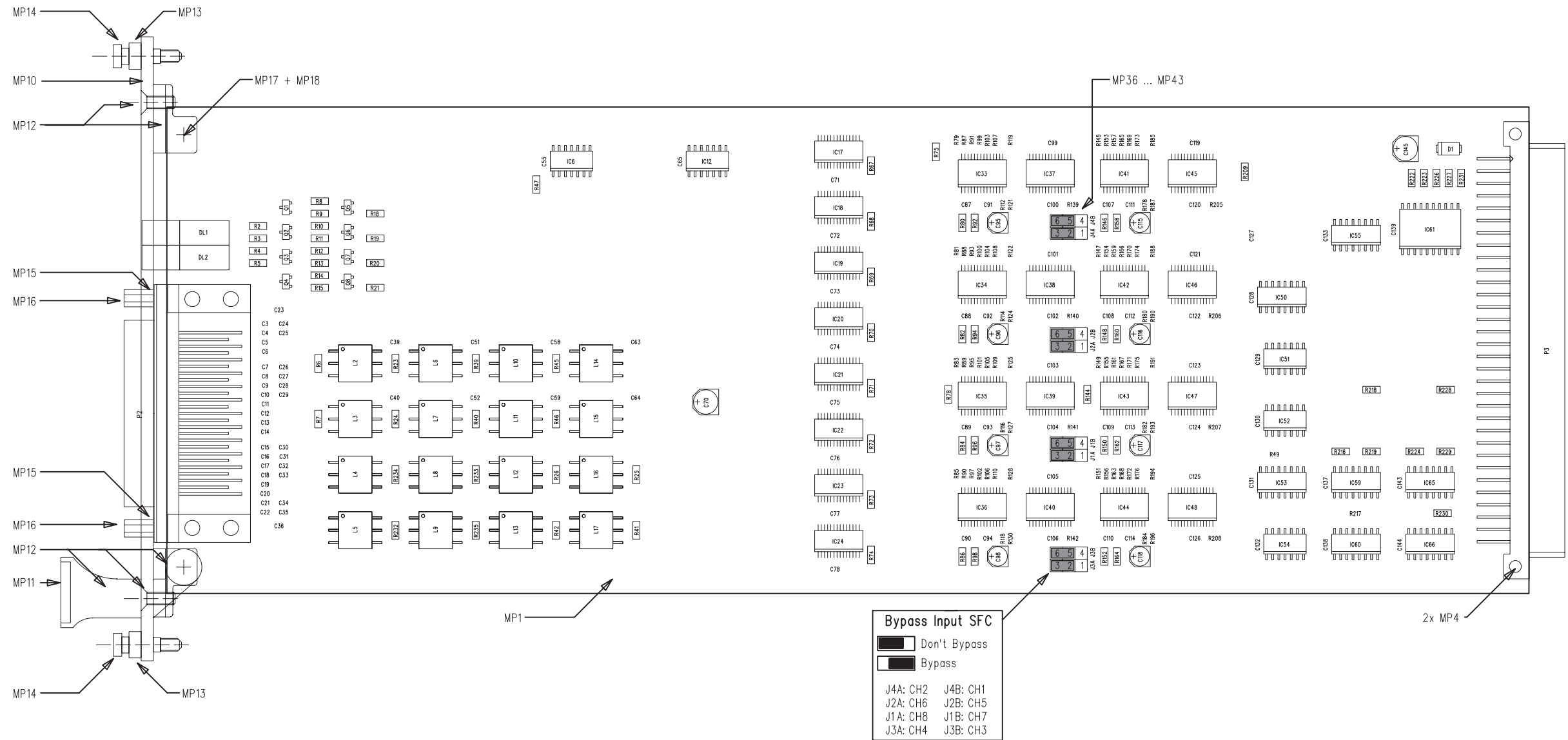
Idx. Pos.	Part No.	Qty.	Type/Val.	Description	Idx. Pos.	Part No.	Qty.	Type/Val.	Description
0 R 143	57.60.1100	1 pce	10R	MF, 1%, 0204, E24					
0 R 144	not used	1 pce	10R	MF, 1%, 0204, E24					
0 R 145	57.69.1097	1 pce	10k	CF 5% 0603					
0 R 146	57.60.1100	1 pce	10R	MF, 1%, 0204, E24					
0 R 147	57.69.1097	1 pce	10k	CF 5% 0603					
0 R 148	57.60.1100	1 pce	10R	MF, 1%, 0204, E24					
0 R 149	57.69.1097	1 pce	10k	CF 5% 0603					
0 R 150	57.60.1100	1 pce	10R	MF, 1%, 0204, E24					
0 R 151	57.69.1097	1 pce	10k	CF 5% 0603					
0 R 152	57.60.1100	1 pce	10R	MF, 1%, 0204, E24					
0 R 153	57.69.1097	1 pce	10k	CF 5% 0603					
0 R 154	57.69.1097	1 pce	10k	CF 5% 0603					
0 R 155	57.69.1097	1 pce	10k	CF 5% 0603					
0 R 156	57.69.1097	1 pce	10k	CF 5% 0603					
0 R 157	57.69.1097	1 pce	10k	CF 5% 0603					
0 R 158	57.60.1183	1 pce	18k	MF, 1%, 0204, E24					
0 R 159	57.69.1097	1 pce	10k	CF 5% 0603					
0 R 160	57.60.1183	1 pce	18k	MF, 1%, 0204, E24					
0 R 161	57.69.1097	1 pce	10k	CF 5% 0603					
0 R 162	57.60.1183	1 pce	18k	MF, 1%, 0204, E24					
0 R 163	57.69.1097	1 pce	10k	CF 5% 0603					
0 R 164	57.60.1183	1 pce	18k	MF, 1%, 0204, E24					
0 R 165	57.69.1097	1 pce	10k	CF 5% 0603					
0 R 166	57.69.1097	1 pce	10k	CF 5% 0603					
0 R 167	57.69.1097	1 pce	10k	CF 5% 0603					
0 R 168	57.69.1097	1 pce	10k	CF 5% 0603					
0 R 169	57.69.1097	1 pce	10k	CF 5% 0603					
0 R 170	57.69.1097	1 pce	10k	CF 5% 0603					
0 R 171	57.69.1097	1 pce	10k	CF 5% 0603					
0 R 172	57.69.1097	1 pce	10k	CF 5% 0603					
0 R 173	not used	1 pce	10k	CF 5% 0603					
0 R 174	not used	1 pce	10k	CF 5% 0603					
0 R 175	not used	1 pce	10k	CF 5% 0603					
0 R 176	not used	1 pce	10k	CF 5% 0603					
0 R 177	57.69.1097	1 pce	10k	CF 5% 0603					
0 R 178	57.69.1097	1 pce	10k	CF 5% 0603					
0 R 179	57.69.1097	1 pce	10k	CF 5% 0603					
0 R 180	57.69.1097	1 pce	10k	CF 5% 0603					
0 R 181	57.69.1097	1 pce	10k	CF 5% 0603					
0 R 182	57.69.1097	1 pce	10k	CF 5% 0603					
0 R 183	57.69.1097	1 pce	10k	CF 5% 0603					
0 R 184	57.69.1097	1 pce	10k	CF 5% 0603					
0 R 185	57.69.1097	1 pce	10k	CF 5% 0603					
0 R 186	57.60.1100	1 pce	10R	MF, 1%, 0204, E24					
0 R 187	57.69.1097	1 pce	10k	CF 5% 0603					
0 R 188	57.69.1097	1 pce	10k	CF 5% 0603					
0 R 189	57.60.1100	1 pce	10R	MF, 1%, 0204, E24					
0 R 190	57.69.1097	1 pce	10k	CF 5% 0603					
0 R 191	57.69.1097	1 pce	10k	CF 5% 0603					
0 R 192	57.60.1100	1 pce	10R	MF, 1%, 0204, E24					
0 R 193	57.69.1097	1 pce	10k	CF 5% 0603					
0 R 194	57.69.1097	1 pce	10k	CF 5% 0603					
0 R 195	57.60.1100	1 pce	10R	MF, 1%, 0204, E24					
0 R 196	57.69.1097	1 pce	10k	CF 5% 0603					
0 R 197	57.60.1100	1 pce	10R	MF, 1%, 0204, E24					
0 R 198	57.60.1100	1 pce	10R	MF, 1%, 0204, E24					
0 R 199	57.60.1100	1 pce	10R	MF, 1%, 0204, E24					
0 R 200	57.60.1100	1 pce	10R	MF, 1%, 0204, E24					
0 R 201	57.60.1100	1 pce	10R	MF, 1%, 0204, E24					
0 R 202	57.60.1100	1 pce	10R	MF, 1%, 0204, E24					
0 R 203	57.60.1100	1 pce	10R	MF, 1%, 0204, E24					
0 R 204	57.60.1100	1 pce	10R	MF, 1%, 0204, E24					
0 R 205	not used	1 pce	10k	CF 5% 0603					
0 R 206	not used	1 pce	10k	CF 5% 0603					
0 R 207	not used	1 pce	10k	CF 5% 0603					
0 R 208	not used	1 pce	10k	CF 5% 0603					
0 R 209	not used	1 pce	10R	MF, 1%, 0204, E24					
0 R 210	not used	1 pce	10k	CF 5% 0603					
0 R 211	not used	1 pce	10k	CF 5% 0603					
0 R 212	not used	1 pce	10k	CF 5% 0603					
0 R 213	not used	1 pce	10k	CF 5% 0603					
0 R 214	not used	1 pce	10k	CF 5% 0603					
0 R 215	not used	1 pce	10k	CF 5% 0603					
0 R 216	57.60.1100	1 pce	10R	MF, 1%, 0204, E24					
0 R 217	not used	1 pce	10k	CF 5% 0603					
0 R 218	57.60.1100	1 pce	10R	MF, 1%, 0204, E24					
0 R 219	57.60.1100	1 pce	10R	MF, 1%, 0204, E24					
0 R 220	57.60.1100	1 pce	10R	MF, 1%, 0204, E24					
0 R 222	57.60.1100	1 pce	10R	MF, 1%, 0204, E24					
0 R 223	57.60.1100	1 pce	10R	MF, 1%, 0204, E24					
0 R 224	57.60.1100	1 pce	10R	MF, 1%, 0204, E24					
0 R 225	not used	1 pce	10k	CF 5% 0603					
0 R 226	57.60.1100	1 pce	10R	MF, 1%, 0204, E24					
0 R 227	57.60.1100	1 pce	10R	MF, 1%, 0204, E24					
0 R 228	57.60.1100	1 pce	10R	MF, 1%, 0204, E24					
0 R 229	57.60.1100	1 pce	10R	MF, 1%, 0204, E24					
0 R 230	57.60.1100	1 pce	10R	MF, 1%, 0204, E24					
0 R 231	57.60.1100	1 pce	10R	MF, 1%, 0204, E24					
0 R 232	57.60.1101	1 pce	100R	MF, 1%, 0204, E24					
0 R 233	57.60.1101	1 pce	100R	MF, 1%, 0204, E24					
0 R 234	57.60.1101	1 pce	100R	MF, 1%, 0204, E24					
0 R 235	57.60.1101	1 pce	100R	MF, 1%, 0204, E24					

End of List

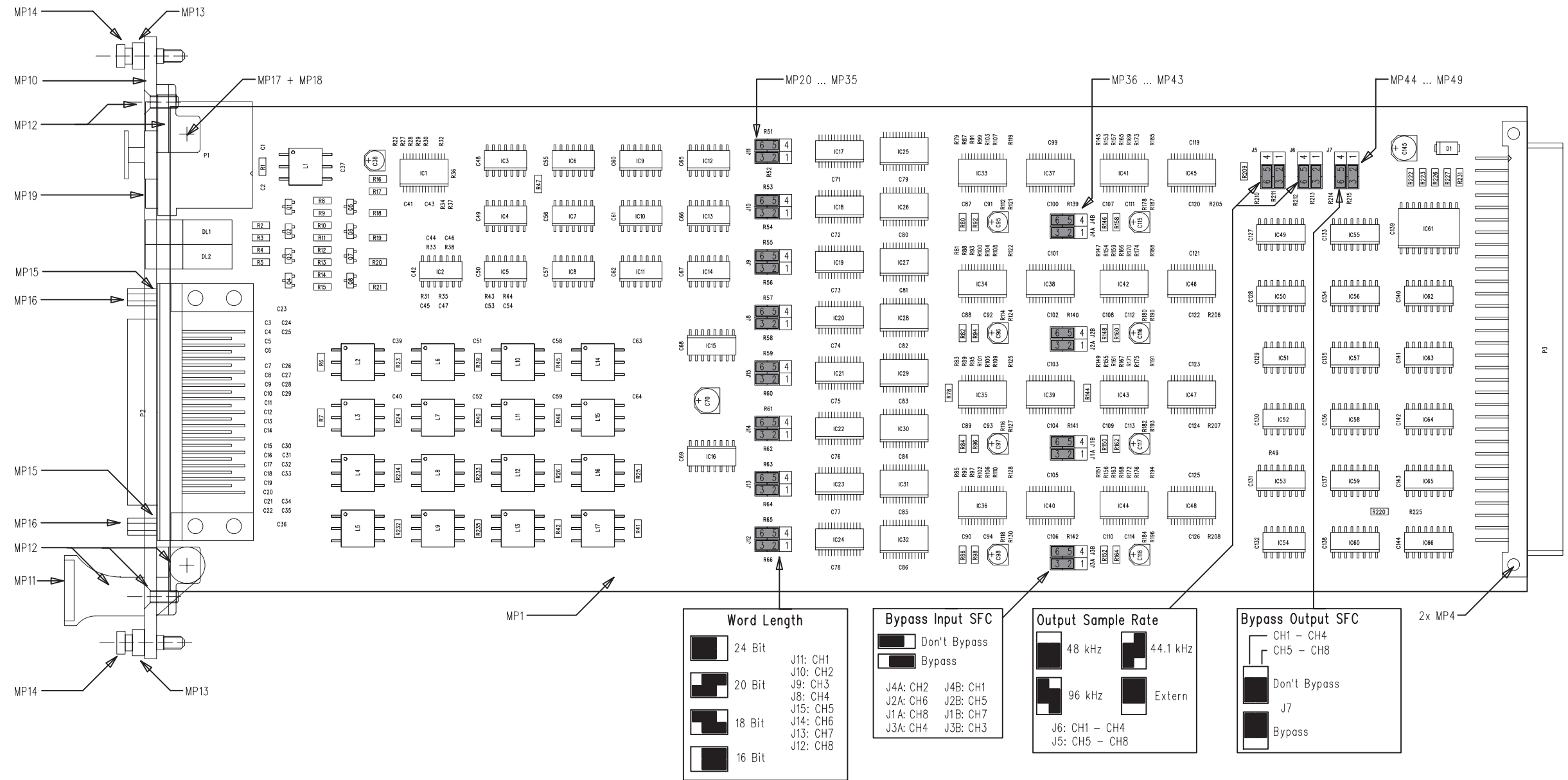
Comments:

[82] R144 -> not used
 (01) 18.05.05 MP9 added;MP15,MP17 not used;MP18:4pcs->5pcs

AES/EBU I/O Card w. Input SFC 1.949.423.81 (1)



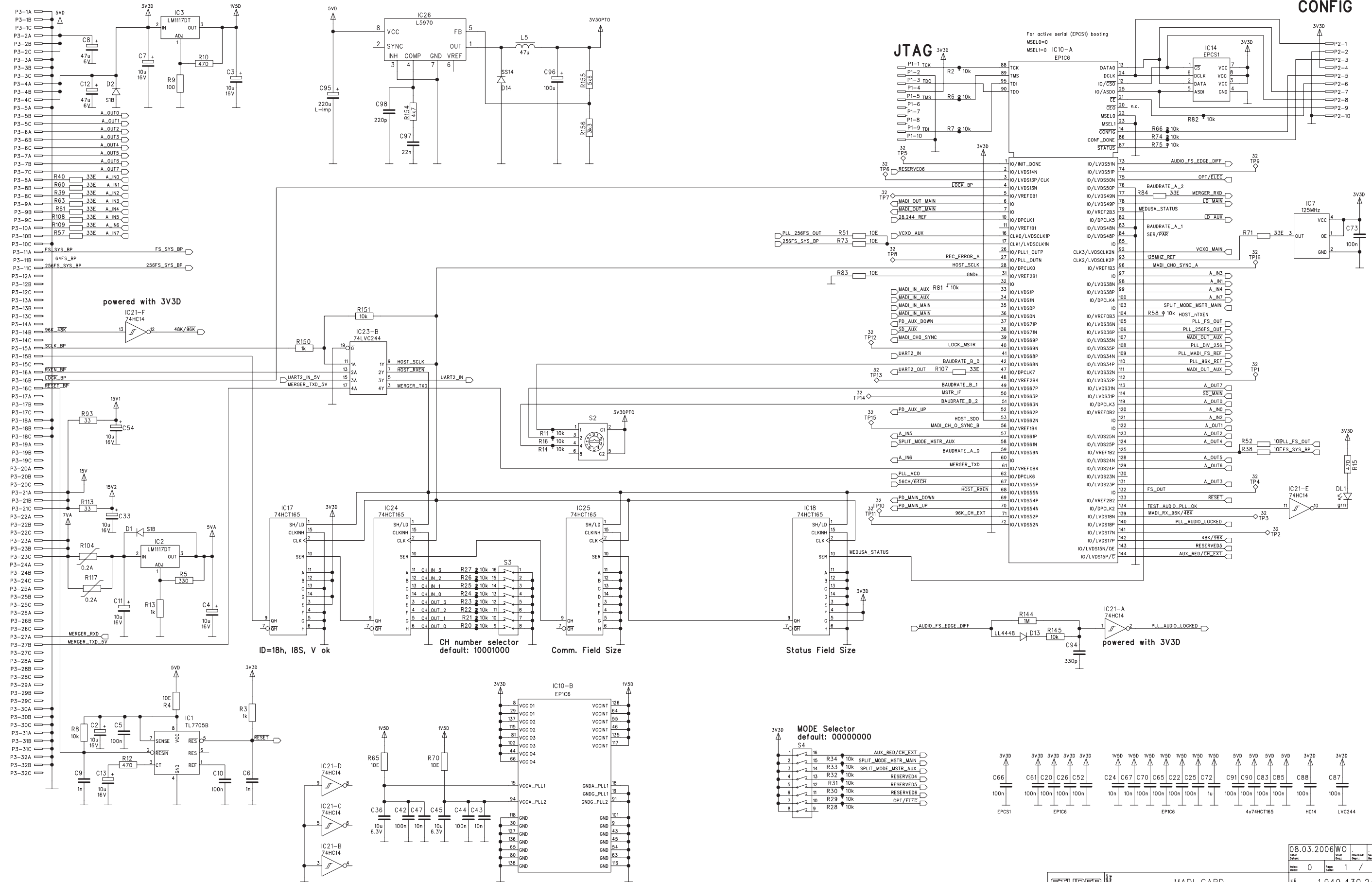
AES/EBU I/O Card w. Input/Output SFC 1.949.424.81 (1)



AES/EBU I/O Card w. Input/Output SFC 1.949.424.81 (1)

Idx. Pos.	Part No.	Qty.	Type/Val.	Description	Idx. Pos.	Part No.	Qty.	Type/Val.	Description
0 R 116	57.69.1097	1 pce	10k	CF 5% 0603	0 R 219	not used	1 pce	10R	MF, 1%, 0204, E24
0 R 117	not used	1 pce	10k	CF 5% 0603	0 R 220	57.60.1100	1 pce	10R	MF, 1%, 0204, E24
0 R 118	57.69.1097	1 pce	10k	CF 5% 0603	0 R 222	57.60.1100	1 pce	10R	MF, 1%, 0204, E24
0 R 119	57.69.1097	1 pce	10k	CF 5% 0603	0 R 223	57.60.1100	1 pce	10R	MF, 1%, 0204, E24
0 R 120	not used	1 pce	10R	MF, 1%, 0204, E24	0 R 224	not used	1 pce	10R	MF, 1%, 0204, E24
0 R 121	57.69.1097	1 pce	10k	CF 5% 0603	0 R 225	57.69.1097	1 pce	10k	CF 5% 0603
0 R 122	57.69.1097	1 pce	10k	CF 5% 0603	0 R 226	57.60.1100	1 pce	10R	MF, 1%, 0204, E24
0 R 123	not used	1 pce	10R	MF, 1%, 0204, E24	0 R 227	57.60.1100	1 pce	10R	MF, 1%, 0204, E24
0 R 124	57.69.1097	1 pce	10k	CF 5% 0603	0 R 228	not used	1 pce	10R	MF, 1%, 0204, E24
0 R 125	57.69.1097	1 pce	10k	CF 5% 0603	0 R 229	not used	1 pce	10R	MF, 1%, 0204, E24
0 R 126	not used	1 pce	10R	MF, 1%, 0204, E24	0 R 230	not used	1 pce	10R	MF, 1%, 0204, E24
0 R 127	57.69.1097	1 pce	10k	CF 5% 0603	0 R 231	57.60.1100	1 pce	10R	MF, 1%, 0204, E24
0 R 128	57.69.1097	1 pce	10k	CF 5% 0603	0 R 232	57.60.1101	1 pce	100R	MF, 1%, 0204, E24
0 R 129	not used	1 pce	10R	MF, 1%, 0204, E24	0 R 233	57.60.1101	1 pce	100R	MF, 1%, 0204, E24
0 R 130	57.69.1097	1 pce	10k	CF 5% 0603	0 R 234	57.60.1101	1 pce	100R	MF, 1%, 0204, E24
0 R 131	not used	1 pce	10R	MF, 1%, 0204, E24	0 R 235	57.60.1101	1 pce	100R	MF, 1%, 0204, E24
0 R 132	not used	1 pce	10R	MF, 1%, 0204, E24	End of List				
0 R 133	not used	1 pce	10R	MF, 1%, 0204, E24	Comments:				
0 R 134	not used	1 pce	10R	MF, 1%, 0204, E24	(01) 18.05.05 MP15:4*24.16.2030->5*24.16.2025				
0 R 135	not used	1 pce	10R	MF, 1%, 0204, E24					
0 R 136	not used	1 pce	10R	MF, 1%, 0204, E24					
0 R 137	not used	1 pce	10R	MF, 1%, 0204, E24					
0 R 138	not used	1 pce	10R	MF, 1%, 0204, E24					
0 R 139	57.69.1097	1 pce	10k	CF 5% 0603					
0 R 140	57.69.1097	1 pce	10k	CF 5% 0603					
0 R 141	57.69.1097	1 pce	10k	CF 5% 0603					
0 R 142	57.69.1097	1 pce	10k	CF 5% 0603					
0 R 143	not used	1 pce	10R	MF, 1%, 0204, E24					
0 R 144	57.60.1100	1 pce	10R	MF, 1%, 0204, E24					
0 R 145	57.69.1097	1 pce	10k	CF 5% 0603					
0 R 146	57.60.1100	1 pce	10R	MF, 1%, 0204, E24					
0 R 147	57.69.1097	1 pce	10k	CF 5% 0603					
0 R 148	57.60.1100	1 pce	10R	MF, 1%, 0204, E24					
0 R 149	57.69.1097	1 pce	10k	CF 5% 0603					
0 R 150	57.60.1100	1 pce	10R	MF, 1%, 0204, E24					
0 R 151	57.69.1097	1 pce	10k	CF 5% 0603					
0 R 152	57.60.1100	1 pce	10R	MF, 1%, 0204, E24					
0 R 153	57.69.1097	1 pce	10k	CF 5% 0603					
0 R 154	57.69.1097	1 pce	10k	CF 5% 0603					
0 R 155	57.69.1097	1 pce	10k	CF 5% 0603					
0 R 156	57.69.1097	1 pce	10k	CF 5% 0603					
0 R 157	57.69.1097	1 pce	10k	CF 5% 0603					
0 R 158	57.60.1183	1 pce	18k	MF, 1%, 0204, E24					
0 R 159	57.69.1097	1 pce	10k	CF 5% 0603					
0 R 160	57.60.1183	1 pce	18k	MF, 1%, 0204, E24					
0 R 161	57.69.1097	1 pce	10k	CF 5% 0603					
0 R 162	57.60.1183	1 pce	18k	MF, 1%, 0204, E24					
0 R 163	57.69.1097	1 pce	10k	CF 5% 0603					
0 R 164	57.60.1183	1 pce	18k	MF, 1%, 0204, E24					
0 R 165	57.69.1097	1 pce	10k	CF 5% 0603					
0 R 166	57.69.1097	1 pce	10k	CF 5% 0603					
0 R 167	57.69.1097	1 pce	10k	CF 5% 0603					
0 R 168	57.69.1097	1 pce	10k	CF 5% 0603					
0 R 169	57.69.1097	1 pce	10k	CF 5% 0603					
0 R 170	57.69.1097	1 pce	10k	CF 5% 0603					
0 R 171	57.69.1097	1 pce	10k	CF 5% 0603					
0 R 172	57.69.1097	1 pce	10k	CF 5% 0603					
0 R 173	57.69.1097	1 pce	10k	CF 5% 0603					
0 R 174	57.69.1097	1 pce	10k	CF 5% 0603					
0 R 175	57.69.1097	1 pce	10k	CF 5% 0603					
0 R 176	57.69.1097	1 pce	10k	CF 5% 0603					
0 R 177	not used	1 pce	10k	CF 5% 0603					
0 R 178	57.69.1097	1 pce	10k	CF 5% 0603					
0 R 179	not used	1 pce	10k	CF 5% 0603					
0 R 180	57.69.1097	1 pce	10k	CF 5% 0603					
0 R 181	not used	1 pce	10k	CF 5% 0603					
0 R 182	57.69.1097	1 pce	10k	CF 5% 0603					
0 R 183	not used	1 pce	10k	CF 5% 0603					
0 R 184	57.69.1097	1 pce	10k	CF 5% 0603					
0 R 185	57.69.1097	1 pce	10k	CF 5% 0603					
0 R 186	not used	1 pce	10R	MF, 1%, 0204, E24					
0 R 187	57.69.1097	1 pce	10k	CF 5% 0603					
0 R 188	57.69.1097	1 pce	10k	CF 5% 0603					
0 R 189	not used	1 pce	10R	MF, 1%, 0204, E24					
0 R 190	57.69.1097	1 pce	10k	CF 5% 0603					
0 R 191	57.69.1097	1 pce	10k	CF 5% 0603					
0 R 192	not used	1 pce	10R	MF, 1%, 0204, E24					
0 R 193	57.69.1097	1 pce	10k	CF 5% 0603					
0 R 194	57.69.1097	1 pce	10k	CF 5% 0603					
0 R 195	not used	1 pce	10R	MF, 1%, 0204, E24					
0 R 196	57.69.1097	1 pce	10k	CF 5% 0603					
0 R 197	not used	1 pce	10R	MF, 1%, 0204, E24					
0 R 198	not used	1 pce	10R	MF, 1%, 0204, E24					
0 R 199	not used	1 pce	10R	MF, 1%, 0204, E24					
0 R 200	not used	1 pce	10R	MF, 1%, 0204, E24					
0 R 201	not used	1 pce	10R	MF, 1%, 0204, E24					
0 R 202	not used	1 pce	10R	MF, 1%, 0204, E24					
0 R 203	not used	1 pce	10R	MF, 1%, 0204, E24					
0 R 204	not used	1 pce	10R	MF, 1%, 0204, E24					
0 R 205	57.69.1097	1 pce	10k	CF 5% 0603					
0 R 206	57.69.1097	1 pce	10k	CF 5% 0603					
0 R 207	57.69.1097	1 pce	10k	CF 5% 0603					
0 R 208	57.69.1097	1 pce	10k	CF 5% 0603					
0 R 209	57.60.1100	1 pce	10R	MF, 1%, 0204, E24					
0 R 210	57.69.1097	1 pce	10k	CF 5% 0603					
0 R 211	57.69.1097	1 pce	10k	CF 5% 0603					
0 R 212	57.69.1097	1 pce	10k	CF 5% 0603					
0 R 213	57.69.1097	1 pce	10k	CF 5% 0603					
0 R 214	57.69.1097	1 pce	10k	CF 5% 0603					
0 R 215	57.69.1097	1 pce	10k	CF 5% 0603					
0 R 216	not used	1 pce	10R	MF, 1%, 0204, E24					
0 R 217	not used	1 pce	10k	CF 5% 0603					
0 R 218	not used	1 pce	10R	MF, 1%, 0204, E24					

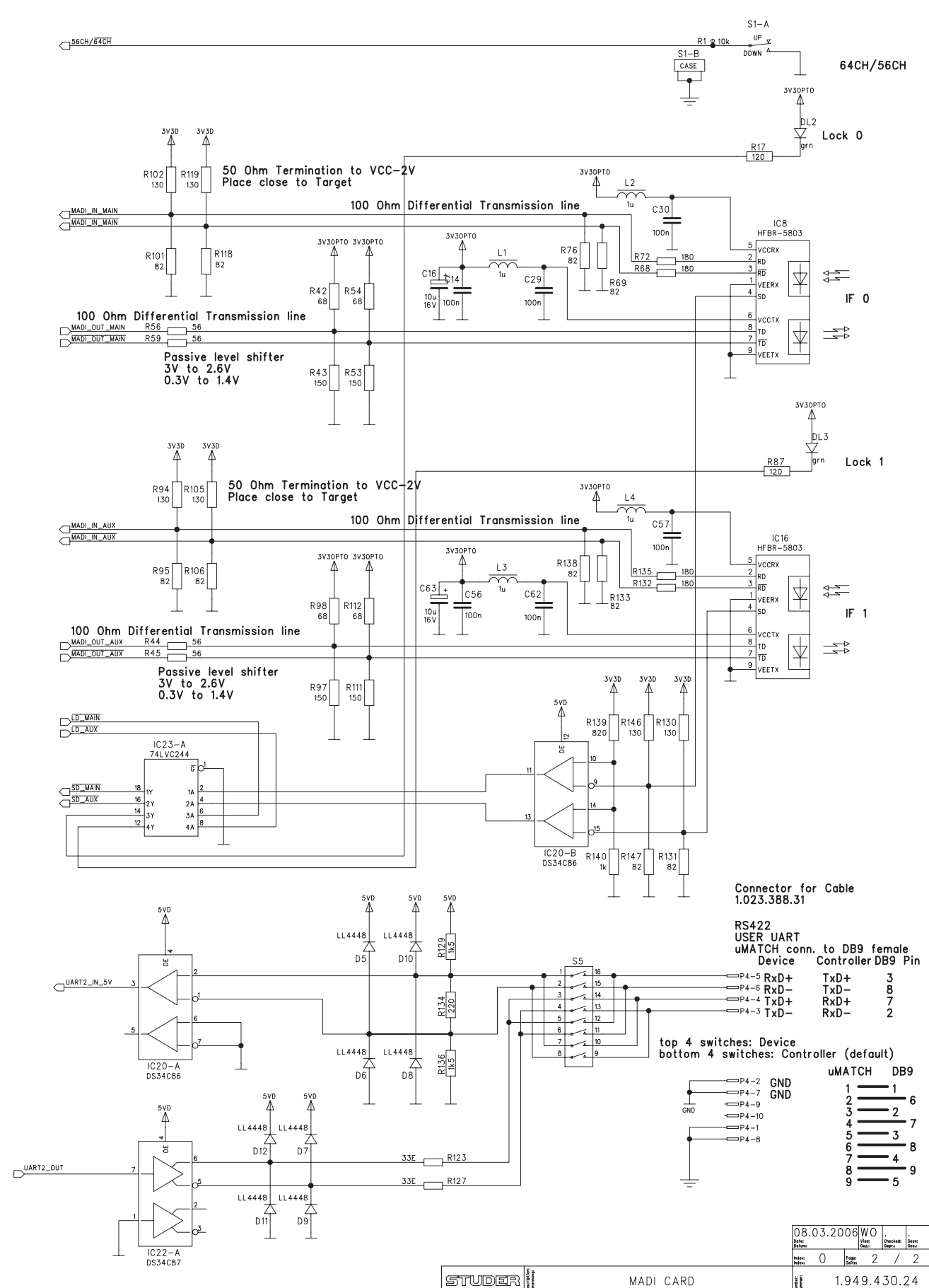
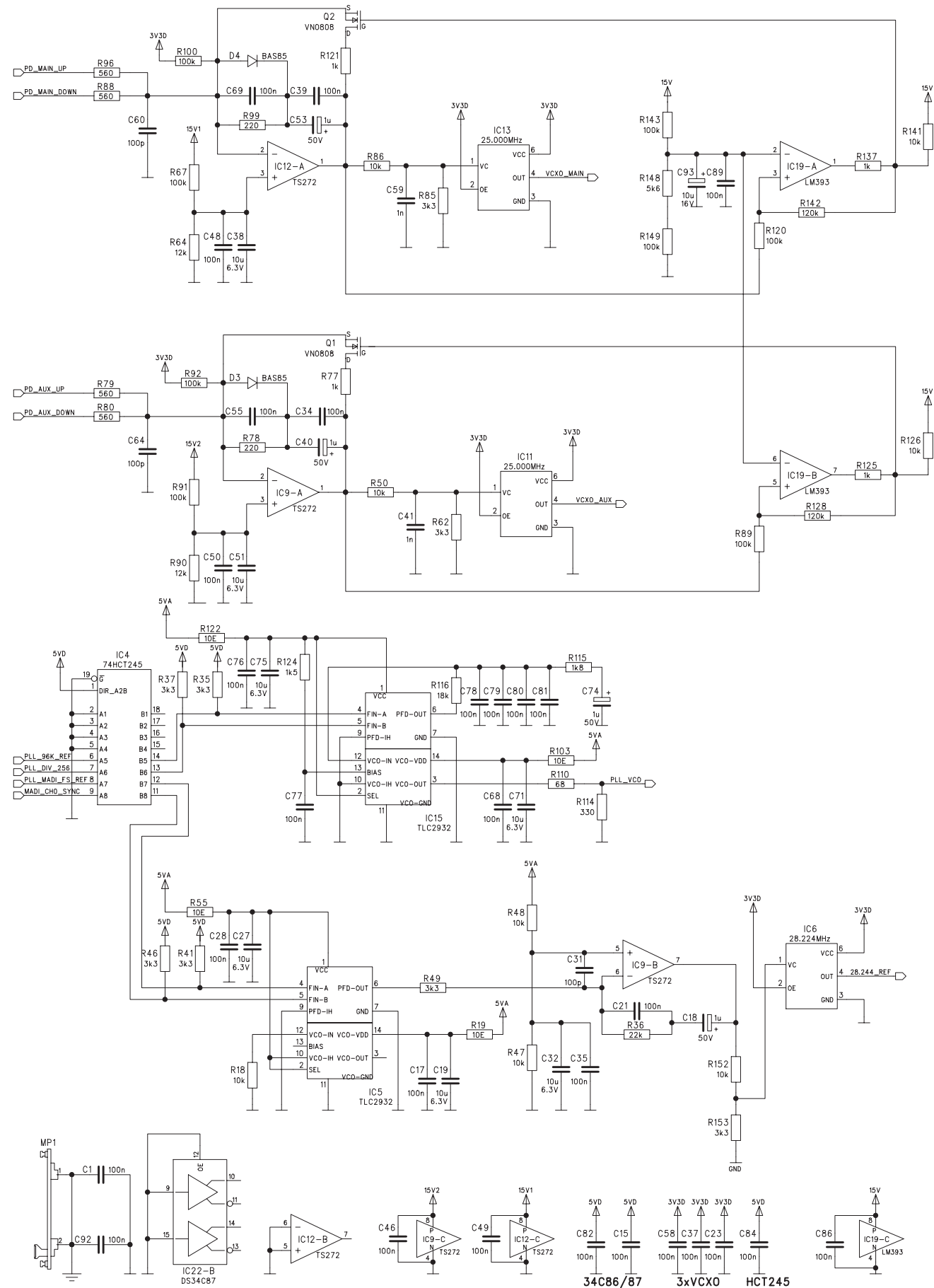
MADI I/O Card 1.949.430.24 (0), 1.949.431.23 (0)



CONFIG

08.03.2006WO

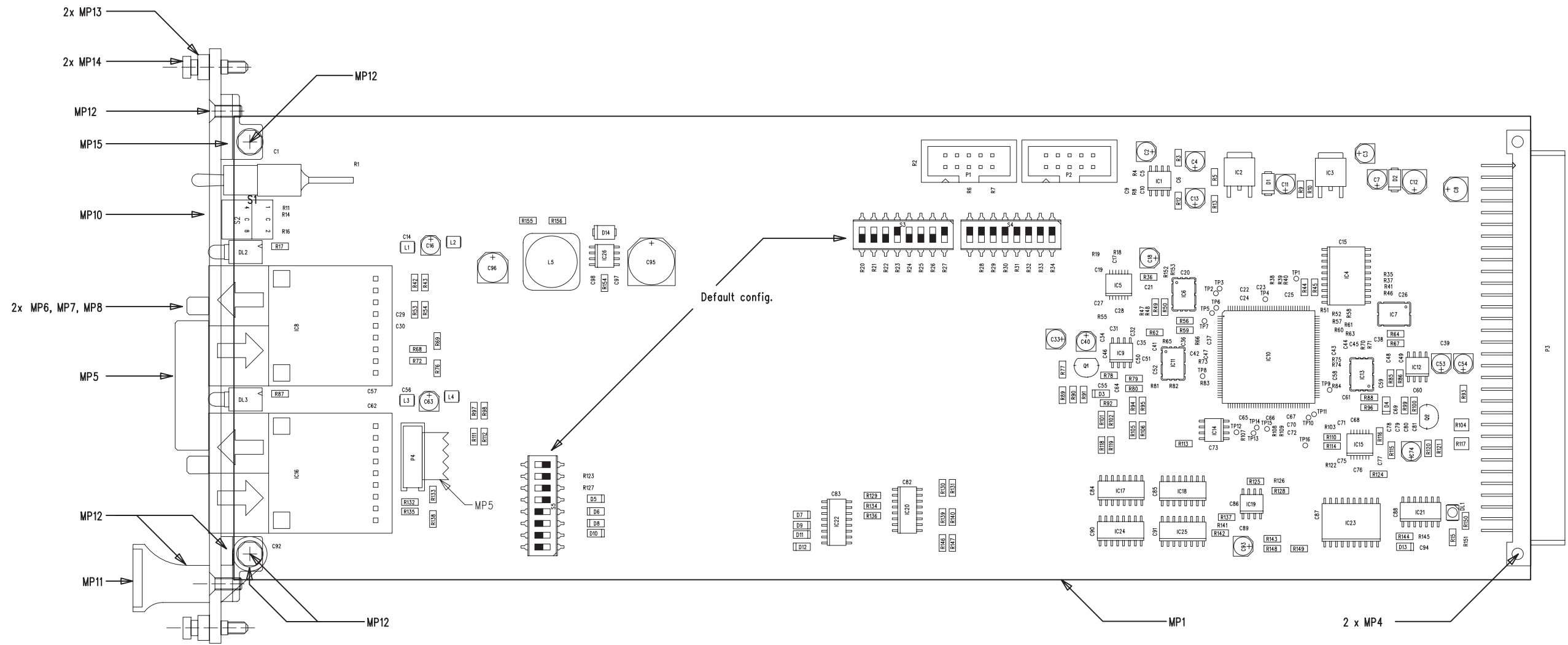
Date: 08.03.2006
Page: 1 / 2



Index	Page	Sheet
0	2	2

08.03.2006 WO .

MADI I/O Card 1.949.430.24 (0), 1.949.431.23 (0)



MADI I/O Card 1.949.430.24 (0)

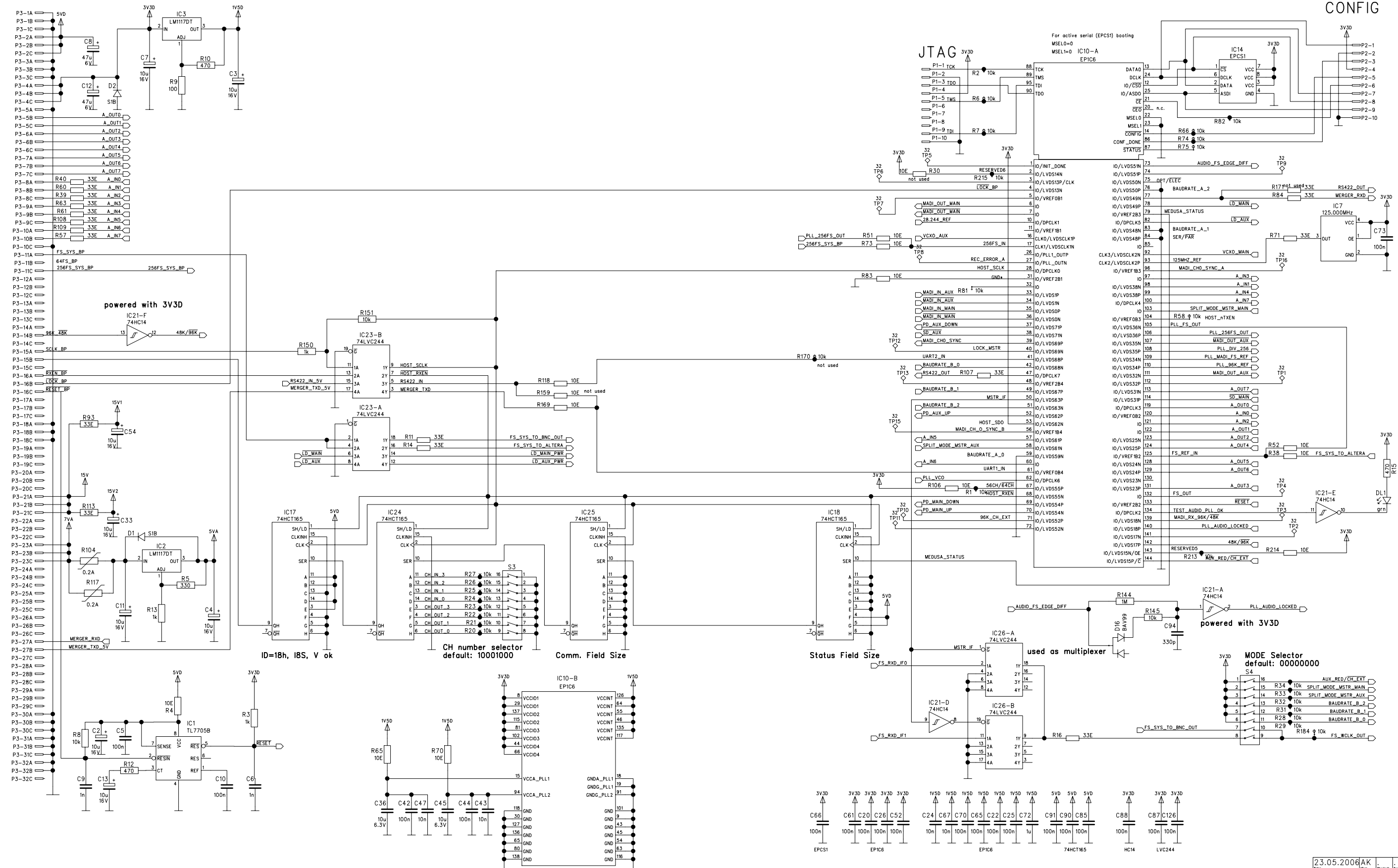
Idx. Pos.	Part No.	Qty.	Type/Val.	Description
0 R 40	57.69.1037	1 pce	33R	CF 5% 0603
0 R 41	57.69.1085	1 pce	3k3	CF 5% 0603
0 R 42	57.60.1680	1 pce	68R	MF, 1%, 0204, E24
0 R 43	57.60.1151	1 pce	150R	MF, 1%, 0204, E24
0 R 44	57.60.1560	1 pce	56R	MF, 1%, 0204, E24
0 R 45	57.60.1560	1 pce	56R	MF, 1%, 0204, E24
0 R 46	57.69.1085	1 pce	3k3	CF 5% 0603
0 R 47	57.69.1097	1 pce	10k	CF 5% 0603
0 R 48	57.69.1097	1 pce	10k	CF 5% 0603
0 R 49	57.60.1332	1 pce	3k3	MF, 1%, 0204, E24
0 R 50	57.60.1103	1 pce	10k	MF, 1%, 0204, E24
0 R 51	not used	1 pce	10R	CF 5% 0603
0 R 52	not used	1 pce	10R	CF 5% 0603
0 R 53	57.60.1151	1 pce	150R	MF, 1%, 0204, E24
0 R 54	57.60.1680	1 pce	68R	MF, 1%, 0204, E24
0 R 55	57.69.1025	1 pce	10R	CF 5% 0603
0 R 56	57.60.1560	1 pce	56R	MF, 1%, 0204, E24
0 R 57	57.69.1037	1 pce	33R	CF 5% 0603
0 R 58	57.69.1097	1 pce	10k	CF 5% 0603
0 R 59	57.60.1560	1 pce	56R	MF, 1%, 0204, E24
0 R 60	57.69.1037	1 pce	33R	CF 5% 0603
0 R 61	57.69.1037	1 pce	33R	CF 5% 0603
0 R 62	57.60.1332	1 pce	3k3	MF, 1%, 0204, E24
0 R 63	57.69.1037	1 pce	33R	CF 5% 0603
0 R 64	57.60.1123	1 pce	12k	MF, 1%, 0204, E24
0 R 65	57.69.1025	1 pce	10R	CF 5% 0603
0 R 66	57.69.1097	1 pce	10k	CF 5% 0603
0 R 67	57.60.1104	1 pce	100k	MF, 1%, 0204, E24
0 R 68	57.60.1181	1 pce	180R	MF, 1%, 0204, E24
0 R 69	57.60.1820	1 pce	82R	MF, 1%, 0204, E24
0 R 70	57.69.1025	1 pce	10R	CF 5% 0603
0 R 71	57.69.1037	1 pce	33R	CF 5% 0603
0 R 72	57.60.1181	1 pce	180R	MF, 1%, 0204, E24
0 R 73	57.69.1025	1 pce	10R	CF 5% 0603
0 R 74	57.69.1097	1 pce	10k	CF 5% 0603
0 R 75	57.69.1097	1 pce	10k	CF 5% 0603
0 R 76	57.60.1820	1 pce	82R	MF, 1%, 0204, E24
0 R 77	57.60.1102	1 pce	1k0	MF, 1%, 0204, E24
0 R 78	57.60.1221	1 pce	220R	MF, 1%, 0204, E24
0 R 79	57.60.1561	1 pce	560R	MF, 1%, 0204, E24
0 R 80	57.60.1561	1 pce	560R	MF, 1%, 0204, E24
0 R 81	57.69.1097	1 pce	10k	CF 5% 0603
0 R 82	57.69.1097	1 pce	10k	CF 5% 0603
0 R 83	57.69.1025	1 pce	10R	CF 5% 0603
0 R 84	57.69.1037	1 pce	33R	CF 5% 0603
0 R 85	57.60.1332	1 pce	3k3	MF, 1%, 0204, E24
0 R 86	57.60.1103	1 pce	10k	MF, 1%, 0204, E24
0 R 87	57.60.1121	1 pce	120R	MF, 1%, 0204, E24
0 R 88	57.60.1561	1 pce	560R	MF, 1%, 0204, E24
0 R 89	57.60.1104	1 pce	100k	MF, 1%, 0204, E24
0 R 90	57.60.1123	1 pce	12k	MF, 1%, 0204, E24
0 R 91	57.60.1104	1 pce	100k	MF, 1%, 0204, E24
0 R 92	57.60.1104	1 pce	100k	MF, 1%, 0204, E24
0 R 93	57.60.1330	1 pce	33R	MF, 1%, 0204, E24
0 R 94	57.60.1131	1 pce	130R	MF, 1%, 0204, E24
0 R 95	57.60.1820	1 pce	82R	MF, 1%, 0204, E24
0 R 96	57.60.1561	1 pce	560R	MF, 1%, 0204, E24
0 R 97	57.60.1151	1 pce	150R	MF, 1%, 0204, E24
0 R 98	57.60.1680	1 pce	68R	MF, 1%, 0204, E24
0 R 99	57.60.1221	1 pce	220R	MF, 1%, 0204, E24
0 R 100	57.60.1104	1 pce	100k	MF, 1%, 0204, E24
0 R 101	57.60.1820	1 pce	82R	MF, 1%, 0204, E24
0 R 102	57.60.1131	1 pce	130R	MF, 1%, 0204, E24
0 R 103	57.69.1025	1 pce	10R	CF 5% 0603
0 R 104	57.69.8302	1 pce	0,2A	PTC
0 R 105	57.60.1131	1 pce	130R	MF, 1%, 0204, E24
0 R 106	57.60.1820	1 pce	82R	MF, 1%, 0204, E24
0 R 107	57.69.1037	1 pce	33R	CF 5% 0603
0 R 108	57.69.1037	1 pce	33R	CF 5% 0603
0 R 109	57.69.1037	1 pce	33R	CF 5% 0603
0 R 110	57.60.1680	1 pce	68R	MF, 1%, 0204, E24
0 R 111	57.60.1151	1 pce	150R	MF, 1%, 0204, E24
0 R 112	57.60.1680	1 pce	68R	MF, 1%, 0204, E24
0 R 113	57.60.1330	1 pce	33R	MF, 1%, 0204, E24
0 R 114	57.60.1331	1 pce	330R	MF, 1%, 0204, E24
0 R 115	57.60.1182	1 pce	1k8	MF, 1%, 0204, E24
0 R 116	57.60.1183	1 pce	18k	MF, 1%, 0204, E24
0 R 117	57.69.8302	1 pce	0,2A	PTC
0 R 118	57.60.1820	1 pce	82R	MF, 1%, 0204, E24
0 R 119	57.60.1131	1 pce	130R	MF, 1%, 0204, E24
0 R 120	57.60.1104	1 pce	100k	MF, 1%, 0204, E24
0 R 121	57.60.1102	1 pce	1k0	MF, 1%, 0204, E24
0 R 122	57.69.1025	1 pce	10R	CF 5% 0603
0 R 123	57.69.1037	1 pce	33R	CF 5% 0603
0 R 124	57.60.1152	1 pce	1k5	MF, 1%, 0204, E24
0 R 125	57.60.1102	1 pce	1k0	MF, 1%, 0204, E24
0 R 126	57.69.1097	1 pce	10k	CF 5% 0603
0 R 127	57.69.1037	1 pce	33R	CF 5% 0603
0 R 128	57.60.1124	1 pce	120k	MF, 1%, 0204, E24
0 R 129	57.60.1152	1 pce	1k5	MF, 1%, 0204, E24
0 R 130	57.60.1131	1 pce	130R	MF, 1%, 0204, E24
0 R 131	57.60.1820	1 pce	82R	MF, 1%, 0204, E24
0 R 132	57.60.1181	1 pce	180R	MF, 1%, 0204, E24
0 R 133	57.60.1820	1 pce	82R	MF, 1%, 0204, E24
0 R 134	57.60.1221	1 pce	220R	MF, 1%, 0204, E24
0 R 135	57.60.1181	1 pce	180R	MF, 1%, 0204, E24
0 R 136	57.60.1152	1 pce	1k5	MF, 1%, 0204, E24
0 R 137	57.60.1102	1 pce	1k0	MF, 1%, 0204, E24
0 R 138	57.60.1820	1 pce	82R	MF, 1%, 0204, E24
0 R 139	57.60.1821	1 pce	820R	MF, 1%, 0204, E24
0 R 140	57.60.1102	1 pce	1k0	MF, 1%, 0204, E24
0 R 141	57.69.1097	1 pce	10k	CF 5% 0603
0 R 142	57.60.1124	1 pce	120k	MF, 1%, 0204, E24

Idx. Pos.	Part No.	Qty.	Type/Val.	Description
0 R 143	57.60.1104	1 pce	100k	MF, 1%, 0204, E24
0 R 144	57.60.1105	1 pce	1M0	MF, 1%, 0204, E24
0 R 145	57.69.1097	1 pce	10k	CF 5% 0603
0 R 146	57.60.1131	1 pce	130R	MF, 1%, 0204, E24
0 R 147	57.60.1820	1 pce	82R	MF, 1%, 0204, E24
0 R 148	57.60.1562	1 pce	5k6	MF, 1%, 0204, E24
0 R 149	57.60.1104	1 pce	100k	MF, 1%, 0204, E24
0 R 150	57.60.1102	1 pce	1k0	MF, 1%, 0204, E24
0 R 151	57.69.1097	1 pce	10k	CF 5% 0603
0 R 152	57.69.1097	1 pce	10k	CF 5% 0603
0 R 153	57.69.1085	1 pce	3k3	CF 5% 0603
0 R 154	57.60.1472	1 pce	4k7	MF, 1%, 0204, E24
0 R 155	57.60.1562	1 pce	5k6	MF, 1%, 0204, E24
0 R 156	57.60.1332	1 pce	3k3	MF, 1%, 0204, E24
0 S 1	55.11.0006	1 pce	SPST	Toggle 1 * on-on Ag
0 S 2	55.12.1141	1 pce	N=10	Rotary Switch, right angle
0 S 3	55.60.0108	1 pce	8p	SMD DIL-Switch
0 S 4	55.60.0108	1 pce	8p	SMD DIL-Switch
0 S 5	55.60.0108	1 pce	8p	SMD DIL-Switch

End of List

Comments:

MADI I/O Card, twisted-pair 1.949.433.20 (3)

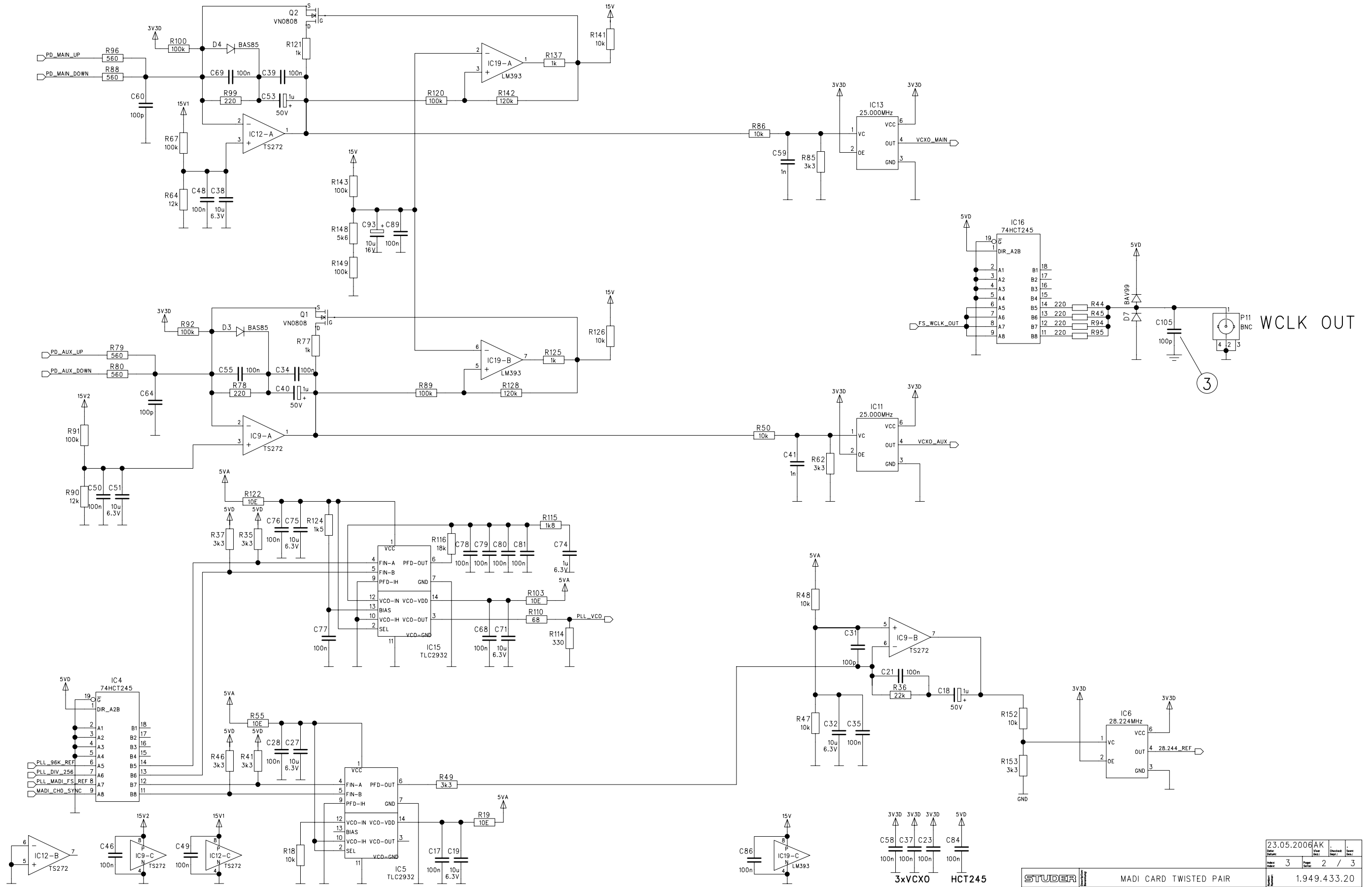


CONFIG

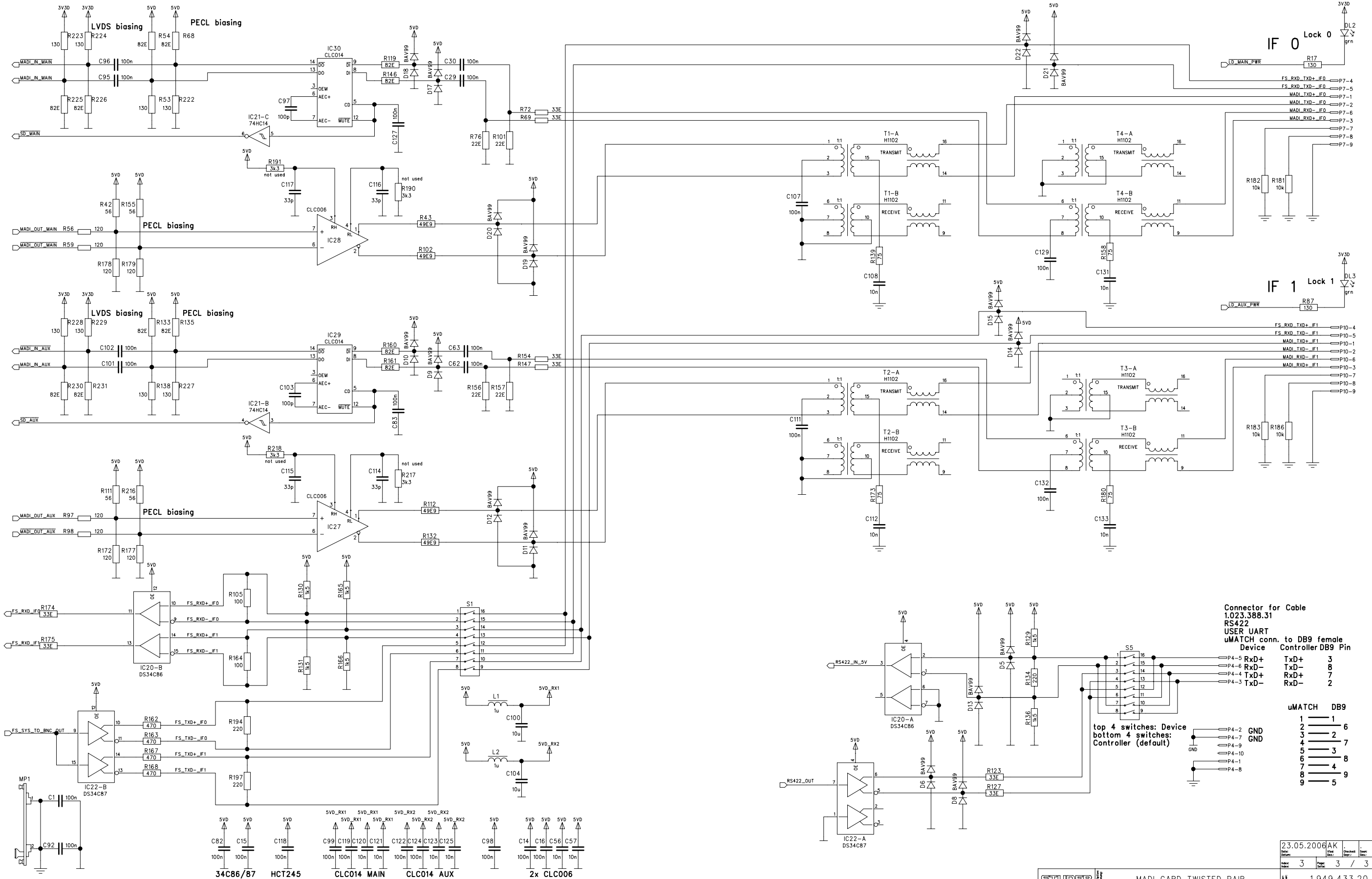
MODE Selector default: 0000000

23.05.2006 AK

MADI I/O Card, twisted-pair 1.949.433.20 (3)



MADI I/O Card, twisted-pair 1.949.433.20 (3)



Connector for Cable
1.023.388.31
RS422
USER UART
uMATCH conn. to DB9 female
Device Controller DB9 Pin

P4-5	RxD+	3
P4-6	RxD-	8
P4-4	TxD+	7
P4-3	TxD-	2

uMATCH DB9

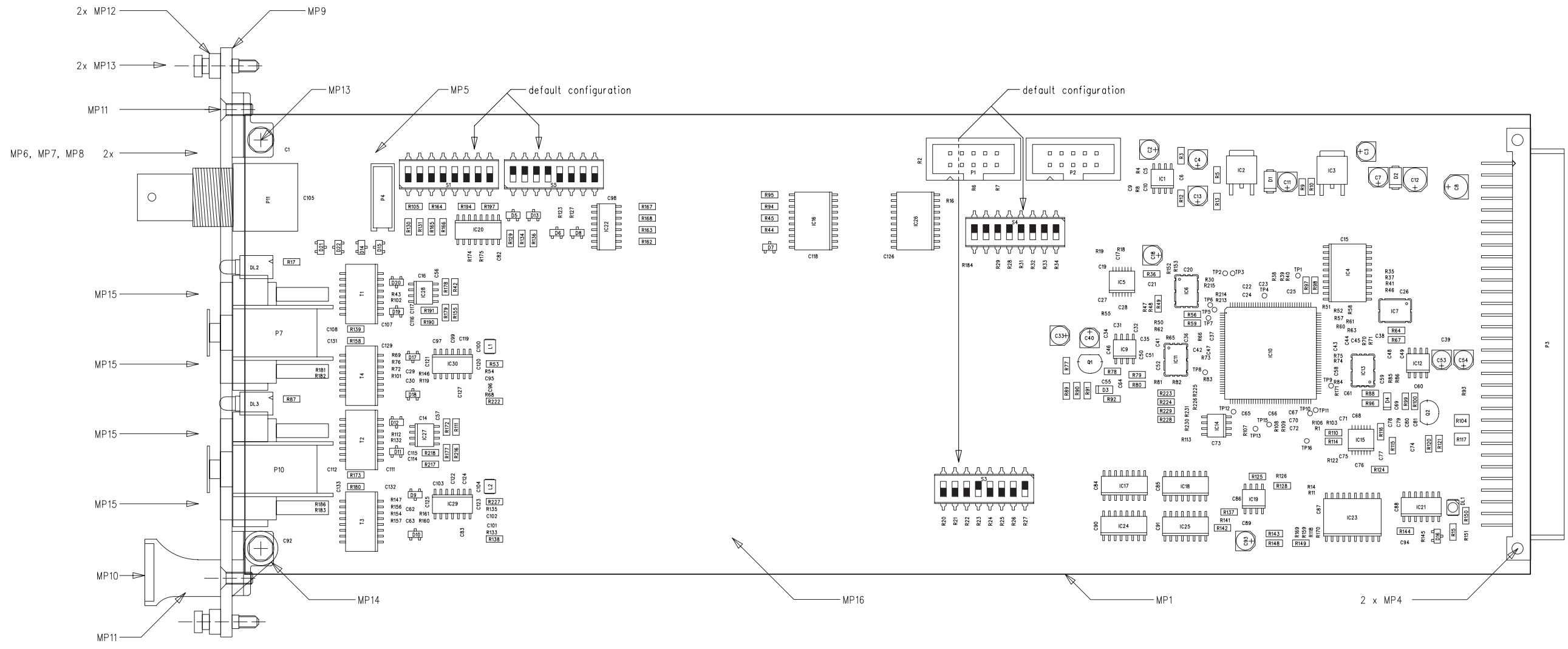
P4-2	GND	1
P4-7	GND	6
P4-9	GND	2
P4-10	GND	7
P4-1	GND	3
P4-8	GND	8
P4-8	GND	9
P4-8	GND	5

top 4 switches: Device
bottom 4 switches: Controller (default)

- 34C86/87
- HCT245
- CLC014 MAIN
- CLC014 AUX
- 2x CLC006

23.05.2006	AK		
Date:		View:	Check:
Issue:	3	Page:	3 / 3

MADI I/O Card, twisted-pair 1.949.433.20 (3)



27.02.2006	WO	SW	GP
1	2	1	1

MADI I/O Card, Twisted-Pair 1.949.433.20 (3)

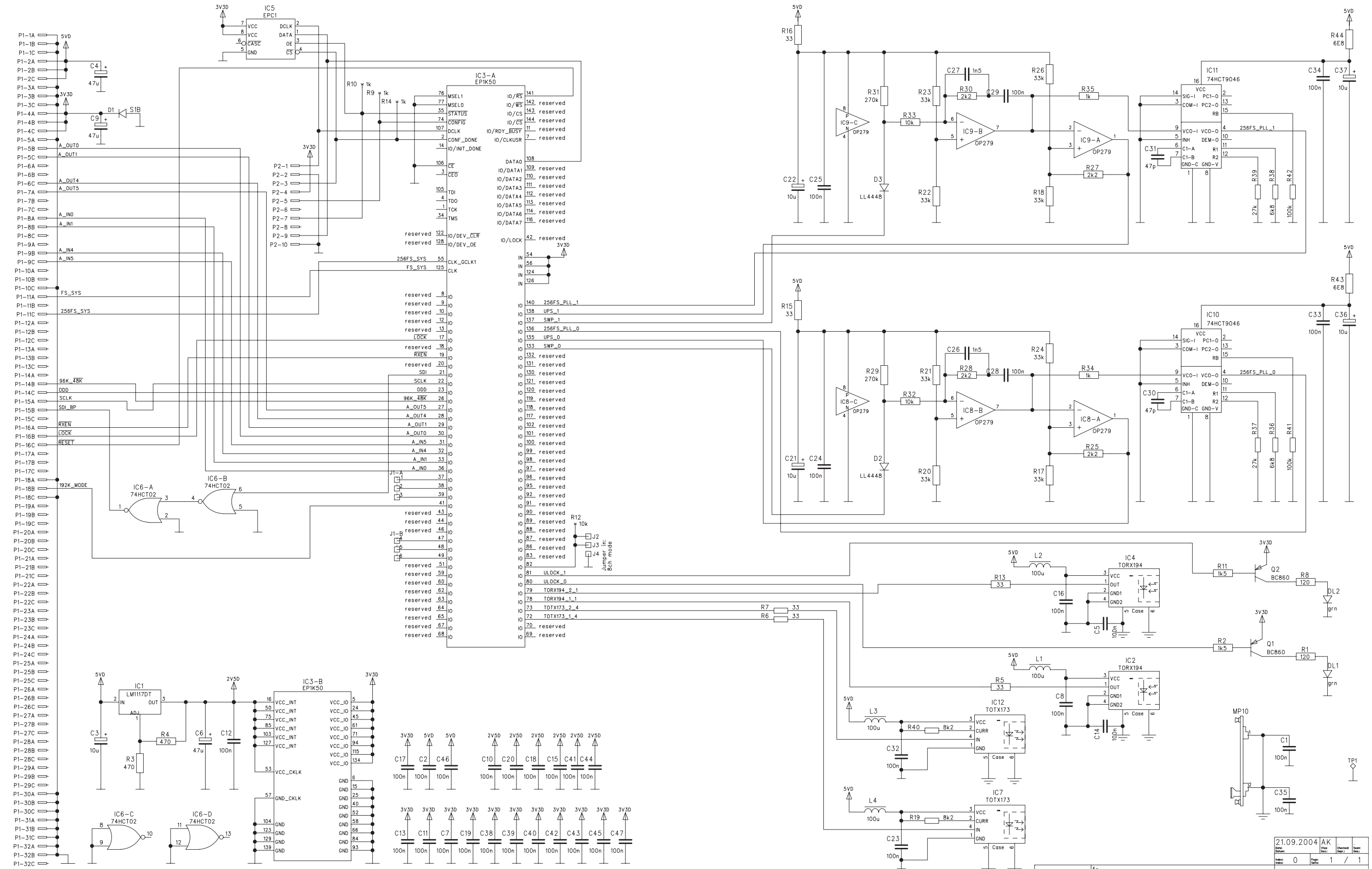
Page: 3 of 3

Idx. Pos.	Part No.	Qty.	Type/Val.	Description	Idx. Pos.	Part No.	Qty.	Type/Val.	Description
2	S 1	55.60.0108	1 pce	8p	SMD DIL-Switch				
2	S 3	55.60.0108	1 pce	8p	SMD DIL-Switch				
2	S 4	55.60.0108	1 pce	8p	SMD DIL-Switch				
2	S 5	55.60.0108	1 pce	8p	SMD DIL-Switch				
2	T 1	63.60.0021	1 pce	1:1	Ethernet Transformer 10/100				
2	T 2	63.60.0021	1 pce	1:1	Ethernet Transformer 10/100				
2	T 3	63.60.0021	1 pce	1:1	Ethernet Transformer 10/100				
2	T 4	63.60.0021	1 pce	1:1	Ethernet Transformer 10/100				

End of List

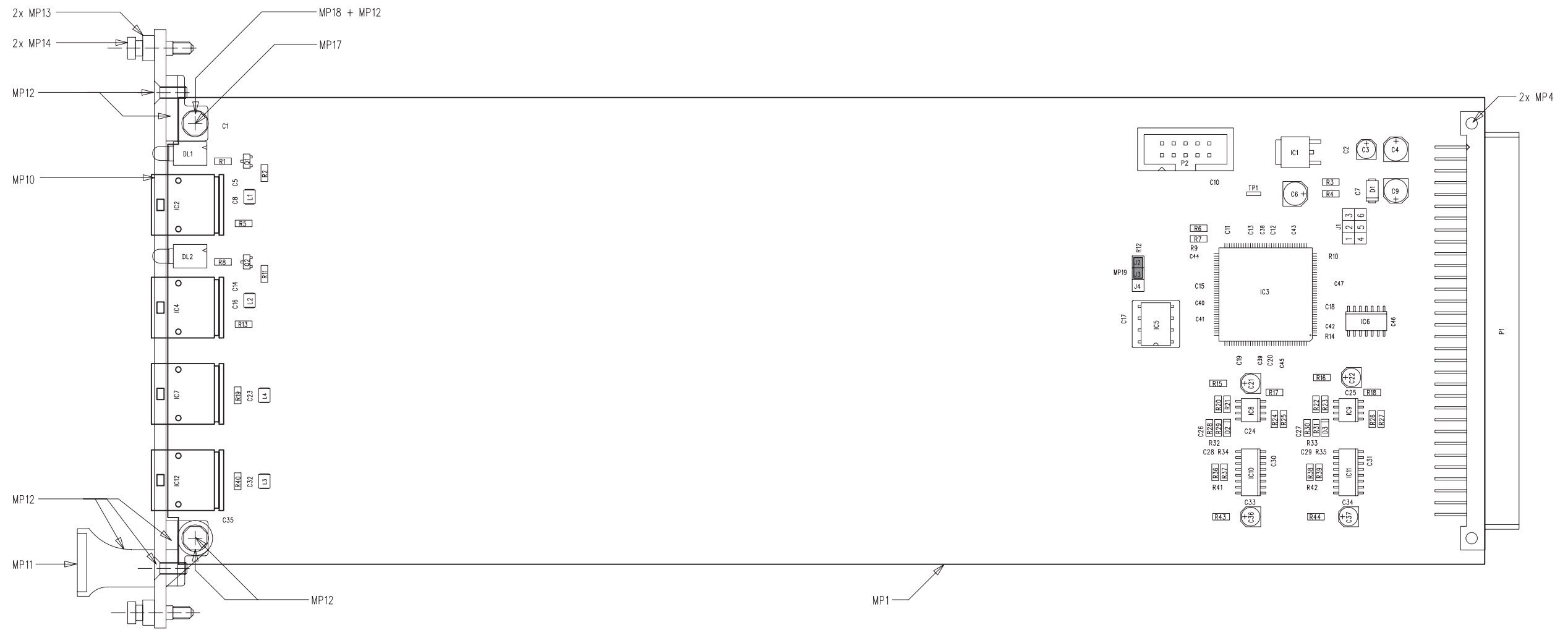
Comments:

(03) C105 10nF -> 100pF

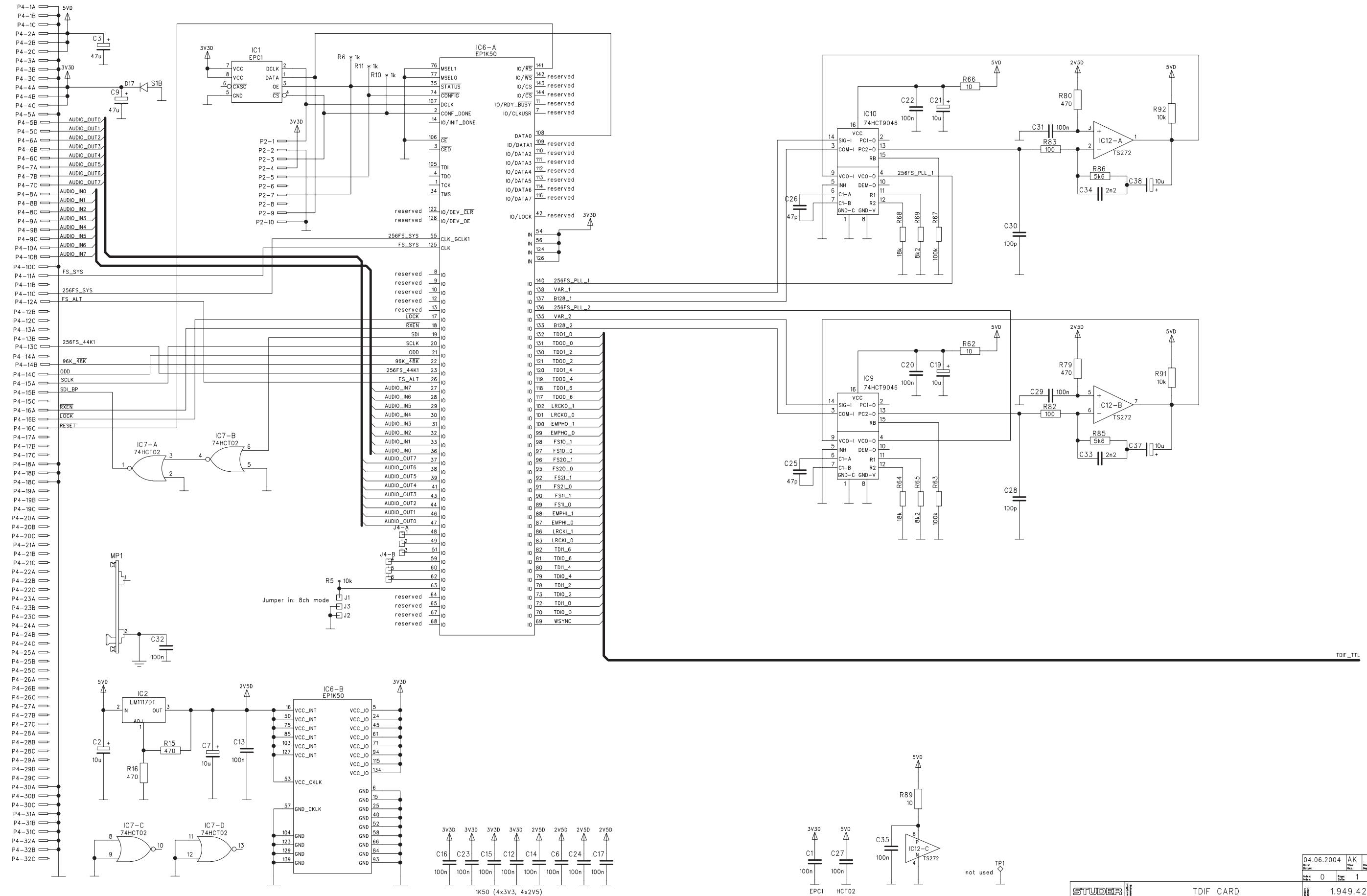


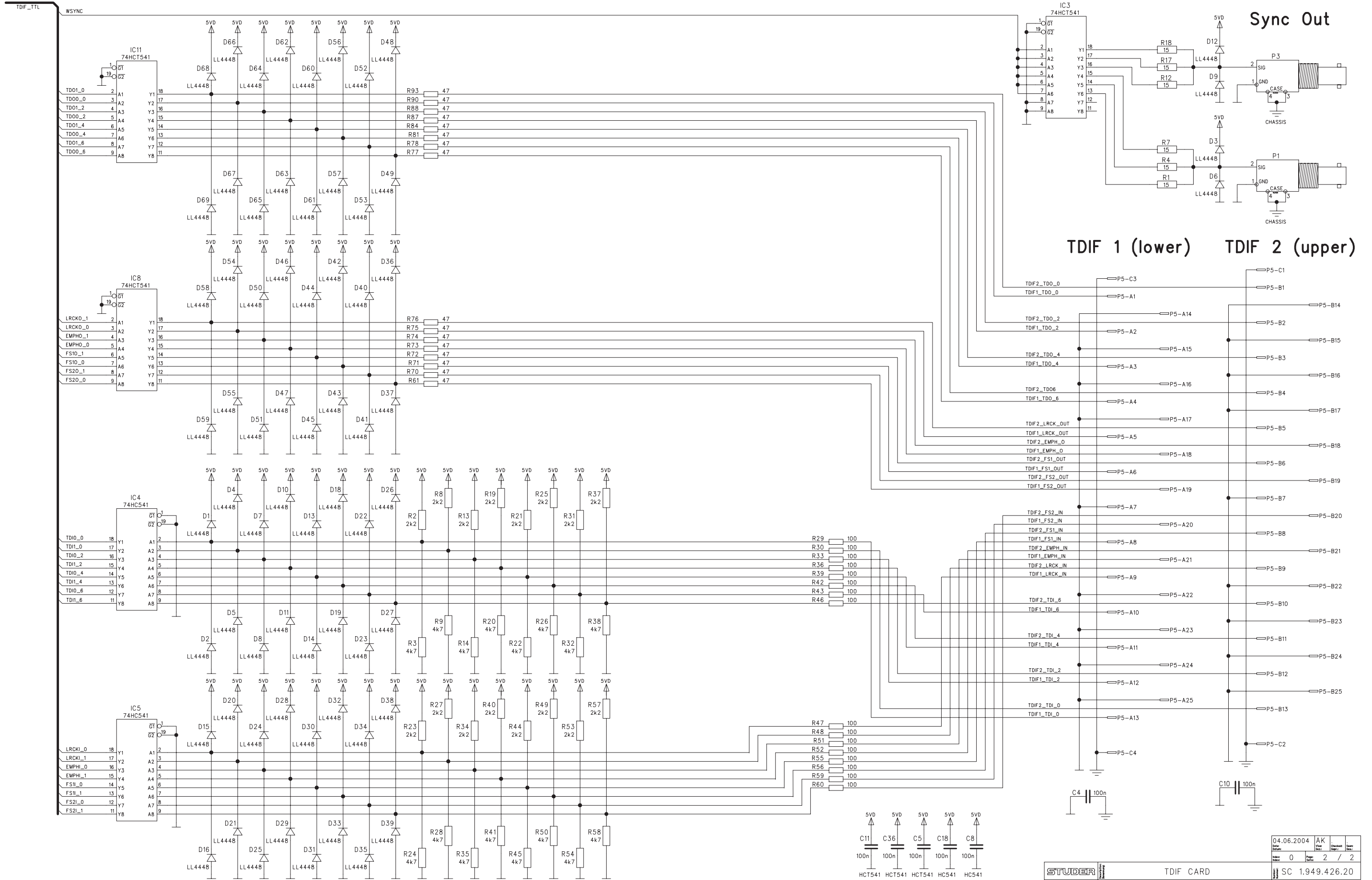
21.09.2004	AK		
Rev:	0	Page:	1 / 1

ADAT I/O Card 1.949.425.22 (1), 1.949.429.21 (1)



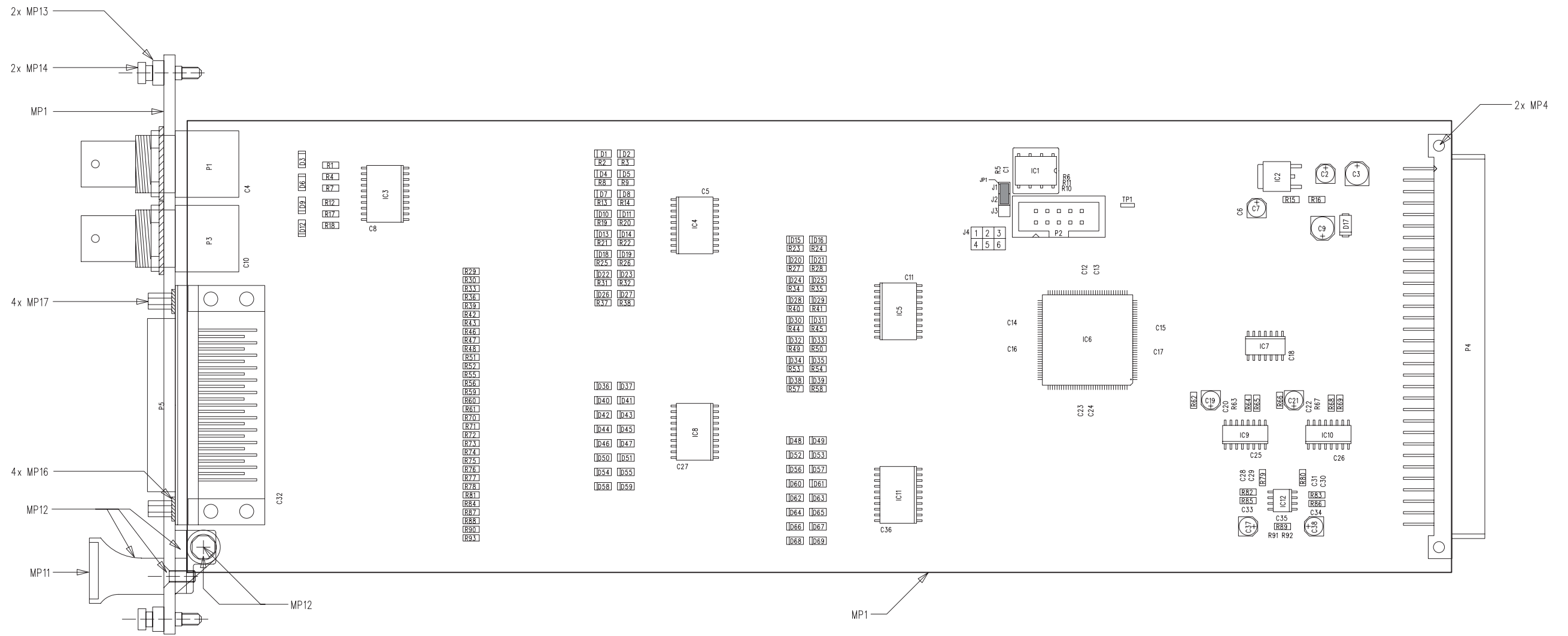
TDIF I/O Card 1.949.426.22 (0)





04.06.2004	AK	Created	2
0	2	2	2
STUDER		TDIF CARD	SC 1.949.426.20

TDIF I/O Card 1.949.426.22 (0)



TDIF I/O Card 1.949.426.22 (0)

Idx. Pos.	Part No.	Qty.	Type/Val.	Description	Idx. Pos.	Part No.	Qty.	Type/Val.	Description	
0 C 1	59.60.3337	1	pce	100n	0 D 65	50.60.8001	1	pce	4448	200mA 75V 4ns SOD 80
0 C 2	59.68.0065	1	pce	10u	0 D 66	50.60.8001	1	pce	4448	200mA 75V 4ns SOD 80
0 C 3	59.68.0027	1	pce	47u	0 D 67	50.60.8001	1	pce	4448	200mA 75V 4ns SOD 80
0 C 4	59.60.3337	1	pce	100n	0 D 68	50.60.8001	1	pce	4448	200mA 75V 4ns SOD 80
0 C 5	59.60.3337	1	pce	100n	0 D 69	50.60.8001	1	pce	4448	200mA 75V 4ns SOD 80
0 C 6	59.60.3337	1	pce	100n	0 IC 1	1.949.968.22	1	pce	EPC1	SW426 Fidiot(50.63.4298)
0 C 7	59.68.0065	1	pce	10u	0 IC 2	50.61.2003	1	pce	LM1117	Lin Reg 800mA adj
0 C 8	59.60.3337	1	pce	100n	0 IC 3	50.62.3541	1	pce	74HCT541	Octal buffer/line driver tri
0 C 9	59.68.0027	1	pce	47u	0 IC 4	50.62.1541	1	pce	74HC541	Octal buffer/line driver tri
0 C 10	59.60.3337	1	pce	100n	0 IC 5	50.62.1541	1	pce	74HC541	Octal buffer/line driver tri
0 C 11	59.60.3337	1	pce	100n	0 IC 6	50.63.4213	1	pce	EP1K50	PLD 50 000 gates
0 C 12	59.60.3337	1	pce	100n	0 IC 7	50.62.3002	1	pce	74HCT 02	Quad 2input NOR
0 C 13	59.60.3337	1	pce	100n	0 IC 8	50.62.3541	1	pce	74HCT541	Octal buffer/line driver tri
0 C 14	59.60.3337	1	pce	100n	0 IC 9	50.62.4946	1	pce	74HCT9046	PLL with bandgap contr VCO
0 C 15	59.60.3337	1	pce	100n	0 IC 10	50.62.4946	1	pce	74HCT9046	PLL with bandgap contr VCO
0 C 16	59.60.3337	1	pce	100n	0 IC 11	50.62.3541	1	pce	74HCT541	Octal buffer/line driver tri
0 C 17	59.60.3337	1	pce	100n	0 IC 12	50.61.0205	1	pce	TS272CD	Dual Op-Amp CMOS SO 8
0 C 18	59.60.3337	1	pce	100n	0 J 1	54.01.0020	1	pce	1p	Pin, 1reihiig, gerade
0 C 19	59.68.0065	1	pce	10u	0 J 2	54.01.0020	1	pce	1p	Pin, 1reihiig, gerade
0 C 20	59.60.3337	1	pce	100n	0 J 3	54.01.0020	1	pce	1p	Pin, 1reihiig, gerade
0 C 21	59.68.0065	1	pce	10u	0 J 4	not used	1	pce	2*3p	Pin 0.63*0.63, RM2.54
0 C 22	59.60.3337	1	pce	100n	0 JP 1	54.01.0021	1	pce	Jumper	0.63*0.63mm, Au
0 C 23	59.60.3337	1	pce	100n	0 MP 1	1.949.426.11	1	pce		TDIF CARD PCB
0 C 24	59.60.3337	1	pce	100n	0 MP 2	1.949.426.10	1	pce		Nr. ETIKETTE 5x20
0 C 25	59.60.2241	1	pce	47p	0 MP 3	43.01.0108	1	pce	Label	ESE-Warnschild
0 C 26	59.60.2241	1	pce	47p	0 MP 4	28.99.0119	2	pcs		ROHRNIETE D 2.5*0.15* 9
0 C 27	59.60.3337	1	pce	100n	0 MP 10	1.949.426.01	1	pce		FRONTPLATTE TDIF CARD
0 C 28	59.60.2249	1	pce	100p	0 MP 11	1.940.600.05	1	pce		GRIFFEINLAGE 4TE
0 C 29	59.60.3337	1	pce	100n	0 MP 12	49.02.0514	1	pce	4TE	Frontplatten-Griffsatz
0 C 30	59.60.2249	1	pce	100p	0 MP 13	49.02.0521	2	pcs		Metall-Buchse (Rack)
0 C 31	59.60.3337	1	pce	100n	0 MP 14	49.02.0524	2	pcs	M2.5*12	Schraube spezial
0 C 32	59.60.3337	1	pce	100n	0 MP 16	24.16.2025	4	pcs	2.7/5.5	Fächerscheibe Form A
0 C 33	59.60.3317	1	pce	2r2	0 MP 17	54.13.0081	4	pcs	4.85mm	Bolzen UNC 4-40
0 C 34	59.60.3317	1	pce	2r2	0 P 1	54.21.2019	1	pce	BNC	J 1 POL PRINT/WINKEL BNC
0 C 35	59.60.3337	1	pce	100n	0 P 2	not used	1	pce	10p	J 1/20" Au, gerade, ohne Verrieg
0 C 36	59.60.3337	1	pce	100n	0 P 3	54.21.2019	1	pce	BNC	J 1 POL PRINT/WINKEL BNC
0 C 37	59.68.0065	1	pce	10u	0 P 4	54.11.2009	1	pce	96p	EU-R 3*32p female
0 C 38	59.68.0065	1	pce	10u	0 P 5	54.13.0123	1	pce	2*25p	D-Sub, PCB, winkel
0 D 1	50.60.8001	1	pce	4448	0 R 1	57.60.1150	1	pce	15R	MF, 1%, 0204, E24
0 D 2	50.60.8001	1	pce	4448	0 R 2	57.60.1222	1	pce	2k2	MF, 1%, 0204, E24
0 D 3	50.60.8001	1	pce	4448	0 R 3	57.60.1472	1	pce	4k7	MF, 1%, 0204, E24
0 D 4	50.60.8001	1	pce	4448	0 R 4	57.60.1150	1	pce	15R	MF, 1%, 0204, E24
0 D 5	50.60.8001	1	pce	4448	0 R 5	57.69.1097	1	pce	10k	CF 5% 0603
0 D 6	50.60.8001	1	pce	4448	0 R 6	57.69.1073	1	pce	1k0	CF 5% 0603
0 D 7	50.60.8001	1	pce	4448	0 R 7	57.60.1150	1	pce	15R	MF, 1%, 0204, E24
0 D 8	50.60.8001	1	pce	4448	0 R 8	57.60.1222	1	pce	2k2	MF, 1%, 0204, E24
0 D 9	50.60.8001	1	pce	4448	0 R 9	57.60.1472	1	pce	4k7	MF, 1%, 0204, E24
0 D 10	50.60.8001	1	pce	4448	0 R 10	57.69.1073	1	pce	1k0	CF 5% 0603
0 D 11	50.60.8001	1	pce	4448	0 R 11	57.69.1073	1	pce	1k0	CF 5% 0603
0 D 12	50.60.8001	1	pce	4448	0 R 12	57.60.1150	1	pce	15R	MF, 1%, 0204, E24
0 D 13	50.60.8001	1	pce	4448	0 R 13	57.60.1222	1	pce	2k2	MF, 1%, 0204, E24
0 D 14	50.60.8001	1	pce	4448	0 R 14	57.60.1472	1	pce	4k7	MF, 1%, 0204, E24
0 D 15	50.60.8001	1	pce	4448	0 R 15	57.60.1471	1	pce	470R	MF, 1%, 0204, E24
0 D 16	50.60.8001	1	pce	4448	0 R 16	57.60.1471	1	pce	470R	MF, 1%, 0204, E24
0 D 17	50.60.8003	1	pce	S1B	0 R 17	57.60.1150	1	pce	15R	MF, 1%, 0204, E24
0 D 18	50.60.8001	1	pce	4448	0 R 18	57.60.1150	1	pce	15R	MF, 1%, 0204, E24
0 D 19	50.60.8001	1	pce	4448	0 R 19	57.60.1222	1	pce	2k2	MF, 1%, 0204, E24
0 D 20	50.60.8001	1	pce	4448	0 R 20	57.60.1472	1	pce	4k7	MF, 1%, 0204, E24
0 D 21	50.60.8001	1	pce	4448	0 R 21	57.60.1222	1	pce	2k2	MF, 1%, 0204, E24
0 D 22	50.60.8001	1	pce	4448	0 R 22	57.60.1472	1	pce	4k7	MF, 1%, 0204, E24
0 D 23	50.60.8001	1	pce	4448	0 R 23	57.60.1222	1	pce	2k2	MF, 1%, 0204, E24
0 D 24	50.60.8001	1	pce	4448	0 R 24	57.60.1472	1	pce	4k7	MF, 1%, 0204, E24
0 D 25	50.60.8001	1	pce	4448	0 R 25	57.60.1222	1	pce	2k2	MF, 1%, 0204, E24
0 D 26	50.60.8001	1	pce	4448	0 R 26	57.60.1472	1	pce	4k7	MF, 1%, 0204, E24
0 D 27	50.60.8001	1	pce	4448	0 R 27	57.60.1222	1	pce	2k2	MF, 1%, 0204, E24
0 D 28	50.60.8001	1	pce	4448	0 R 28	57.60.1472	1	pce	4k7	MF, 1%, 0204, E24
0 D 29	50.60.8001	1	pce	4448	0 R 29	57.60.1101	1	pce	100R	MF, 1%, 0204, E24
0 D 30	50.60.8001	1	pce	4448	0 R 30	57.60.1101	1	pce	100R	MF, 1%, 0204, E24
0 D 31	50.60.8001	1	pce	4448	0 R 31	57.60.1222	1	pce	2k2	MF, 1%, 0204, E24
0 D 32	50.60.8001	1	pce	4448	0 R 32	57.60.1472	1	pce	4k7	MF, 1%, 0204, E24
0 D 33	50.60.8001	1	pce	4448	0 R 33	57.60.1101	1	pce	100R	MF, 1%, 0204, E24
0 D 34	50.60.8001	1	pce	4448	0 R 34	57.60.1222	1	pce	2k2	MF, 1%, 0204, E24
0 D 35	50.60.8001	1	pce	4448	0 R 35	57.60.1472	1	pce	4k7	MF, 1%, 0204, E24
0 D 36	50.60.8001	1	pce	4448	0 R 36	57.60.1101	1	pce	100R	MF, 1%, 0204, E24
0 D 37	50.60.8001	1	pce	4448	0 R 37	57.60.1222	1	pce	2k2	MF, 1%, 0204, E24
0 D 38	50.60.8001	1	pce	4448	0 R 38	57.60.1472	1	pce	4k7	MF, 1%, 0204, E24
0 D 39	50.60.8001	1	pce	4448	0 R 39	57.60.1101	1	pce	100R	MF, 1%, 0204, E24
0 D 40	50.60.8001	1	pce	4448	0 R 40	57.60.1222	1	pce	2k2	MF, 1%, 0204, E24
0 D 41	50.60.8001	1	pce	4448	0 R 41	57.60.1472	1	pce	4k7	MF, 1%, 0204, E24
0 D 42	50.60.8001	1	pce	4448	0 R 42	57.60.1101	1	pce	100R	MF, 1%, 0204, E24
0 D 43	50.60.8001	1	pce	4448	0 R 43	57.60.1101	1	pce	100R	MF, 1%, 0204, E24
0 D 44	50.60.8001	1	pce	4448	0 R 44	57.60.1222	1	pce	2k2	MF, 1%, 0204, E24
0 D 45	50.60.8001	1	pce	4448	0 R 45	57.60.1472	1	pce	4k7	MF, 1%, 0204, E24
0 D 46	50.60.8001	1	pce	4448	0 R 46	57.60.1101	1	pce	100R	MF, 1%, 0204, E24
0 D 47	50.60.8001	1	pce	4448	0 R 47	57.60.1101	1	pce	100R	MF, 1%, 0204, E24
0 D 48	50.60.8001	1	pce	4448	0 R 48	57.60.1101	1	pce	100R	MF, 1%, 0204, E24
0 D 49	50.60.8001	1	pce	4448	0 R 49	57.60.1222	1	pce	2k2	MF, 1%, 0204, E24
0 D 50	50.60.8001	1	pce	4448	0 R 50	57.60.1472	1	pce	4k7	MF, 1%, 0204, E24
0 D 51	50.60.8001	1	pce	4448	0 R 51	57.60.1101	1	pce	100R	MF, 1%, 0204, E24
0 D 52	50.60.8001	1	pce	4448	0 R 52	57.60.1101	1	pce	100R	MF, 1%, 0204, E24
0 D 53	50.60.8001	1	pce	4448	0 R 53	57.60.1222	1	pce	2k2	MF, 1%, 0204, E24
0 D 54	50.60.8001	1	pce	4448	0 R 54	57.60.1472	1	pce	4k7	MF, 1%, 0204, E24
0 D 55	50.60.8001	1	pce	4448	0 R 55	57.60.1101	1	pce	100R	MF, 1%, 0204, E24
0 D 56	50.60.8001	1	pce	4448	0 R 56	57.60.1101	1	pce	100R	MF, 1%, 0204, E24
0 D 57	50.60.8001	1	pce	4448	0 R 57	57.60.1222	1	pce	2k2	MF, 1%, 0204, E24
0 D 58	50.60.8001	1	pce	4448	0 R 58	57.60.1472	1	pce	4k7	MF, 1%, 0204, E24
0 D 59	50.60.8001	1	pce	4448	0 R 59	57.60.1101	1	pce	100R	MF, 1%, 0204, E24
0 D 60	50.60.8001	1	pce	4448	0 R 60	57.60.1101	1	pce	100R	MF, 1%, 0204, E24
0 D 61	50.60.8001	1	pce	4448	0 R 61	57.60.1470	1	pce	47R	MF, 1%, 0204, E24
0 D 62	50.60.8001	1	pce	4448	0 R 62	57.60.1100	1	pce	10R	MF, 1%, 0204, E24
0 D 63	50.60.8001	1	pce	4448	0 R 63	57.69.1121	1	pce	100k	CF 5% 0603
0 D 64	50.60.8001	1	pce	4448	0 R 64	57.60.1183	1	pce	18k	MF, 1%, 0204, E24
					0 R 65	57.60.1822	1	pce	8k2	MF, 1%, 0204, E24

TDIF I/O Card 1.949.426.22 (0)

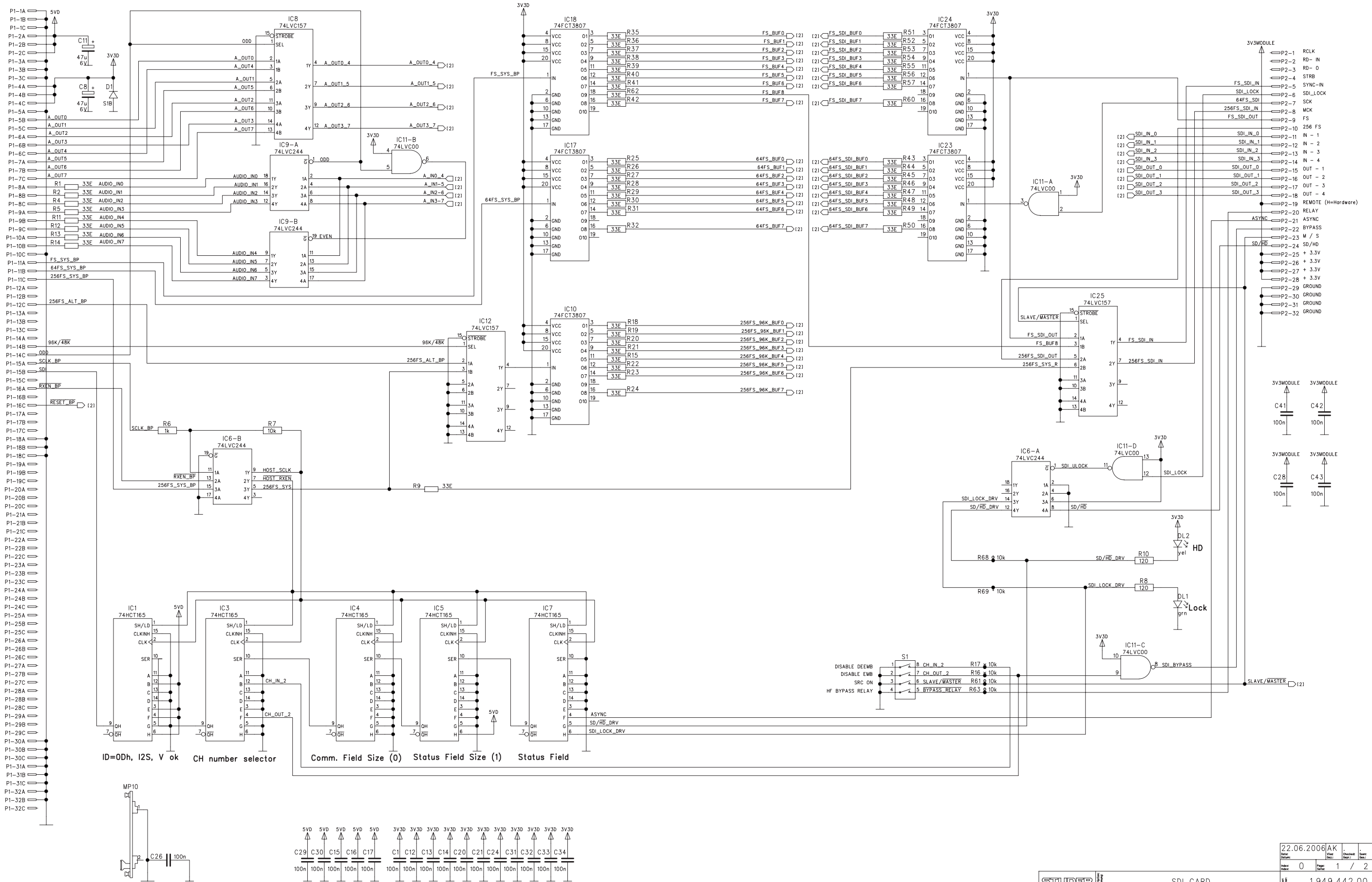
Idx. Pos.	Part No.	Qty.	Type/Val.	Description	
0	R 66	57.60.1100	1 pce	10R	MF, 1%, 0204, E24
0	R 67	57.69.1121	1 pce	100k	CF 5% 0603
0	R 68	57.60.1183	1 pce	18k	MF, 1%, 0204, E24
0	R 69	57.60.1822	1 pce	8k2	MF, 1%, 0204, E24
0	R 70	57.60.1470	1 pce	47R	MF, 1%, 0204, E24
0	R 71	57.60.1470	1 pce	47R	MF, 1%, 0204, E24
0	R 72	57.60.1470	1 pce	47R	MF, 1%, 0204, E24
0	R 73	57.60.1470	1 pce	47R	MF, 1%, 0204, E24
0	R 74	57.60.1470	1 pce	47R	MF, 1%, 0204, E24
0	R 75	57.60.1470	1 pce	47R	MF, 1%, 0204, E24
0	R 76	57.60.1470	1 pce	47R	MF, 1%, 0204, E24
0	R 77	57.60.1470	1 pce	47R	MF, 1%, 0204, E24
0	R 78	57.60.1470	1 pce	47R	MF, 1%, 0204, E24
0	R 79	57.60.1471	1 pce	470R	MF, 1%, 0204, E24
0	R 80	57.60.1471	1 pce	470R	MF, 1%, 0204, E24
0	R 81	57.60.1470	1 pce	47R	MF, 1%, 0204, E24
0	R 82	57.60.1101	1 pce	100R	MF, 1%, 0204, E24
0	R 83	57.60.1101	1 pce	100R	MF, 1%, 0204, E24
0	R 84	57.60.1470	1 pce	47R	MF, 1%, 0204, E24
0	R 85	57.60.1562	1 pce	5k6	MF, 1%, 0204, E24
0	R 86	57.60.1562	1 pce	5k6	MF, 1%, 0204, E24
0	R 87	57.60.1470	1 pce	47R	MF, 1%, 0204, E24
0	R 88	57.60.1470	1 pce	47R	MF, 1%, 0204, E24
0	R 89	57.60.1100	1 pce	10R	MF, 1%, 0204, E24
0	R 90	57.60.1470	1 pce	47R	MF, 1%, 0204, E24
0	R 91	57.69.1097	1 pce	10k	CF 5% 0603
0	R 92	57.69.1097	1 pce	10k	CF 5% 0603
0	R 93	57.60.1470	1 pce	47R	MF, 1%, 0204, E24
0	TP 1	not used	1 pce	2.8*0.8	PCB-Flachstecker, gerade
0	XIC 1	53.03.0166	1 pce	8p	DIL-socket 0.3"

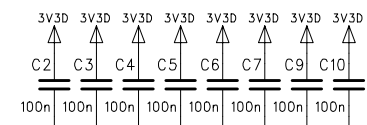
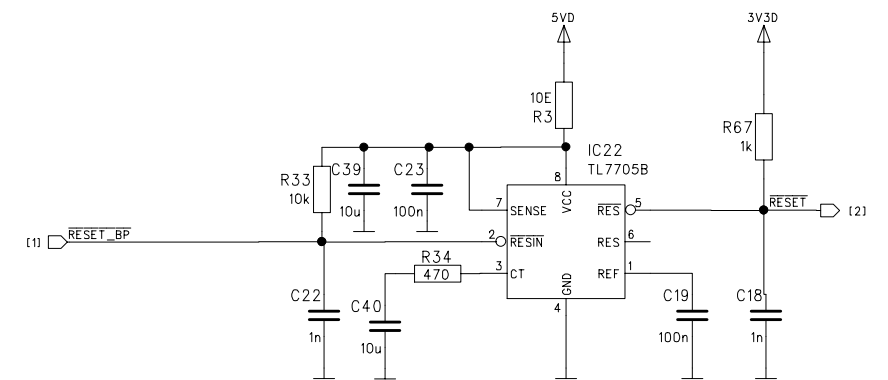
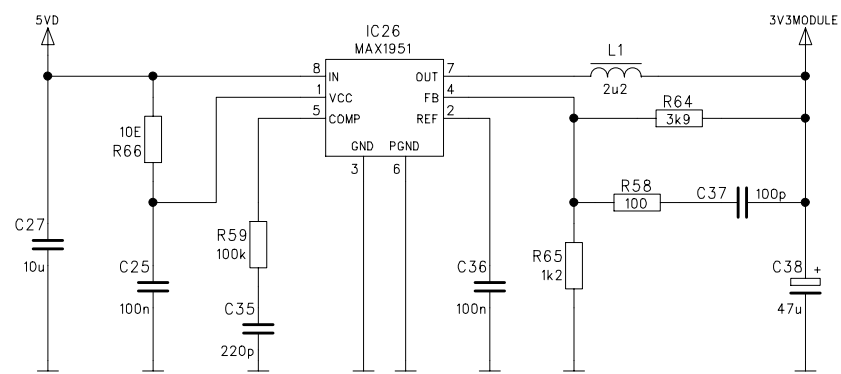
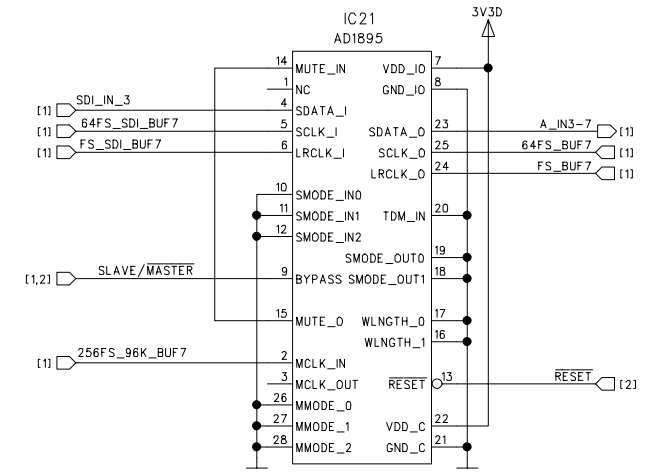
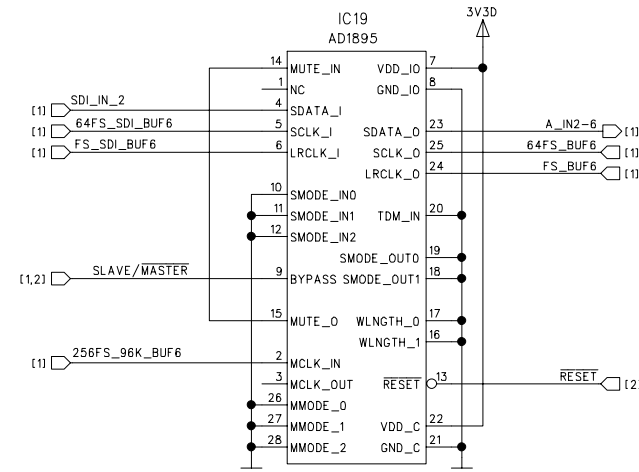
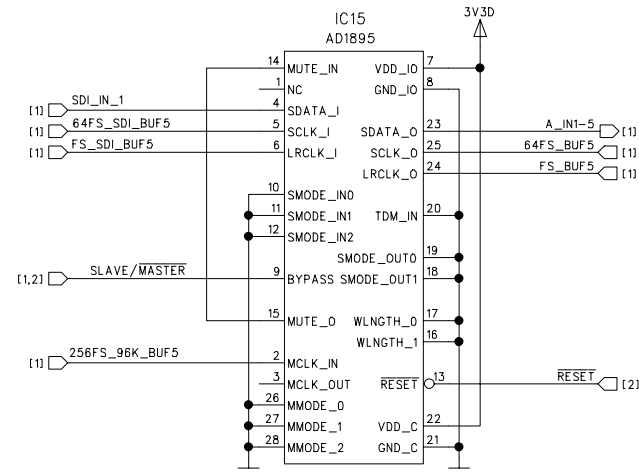
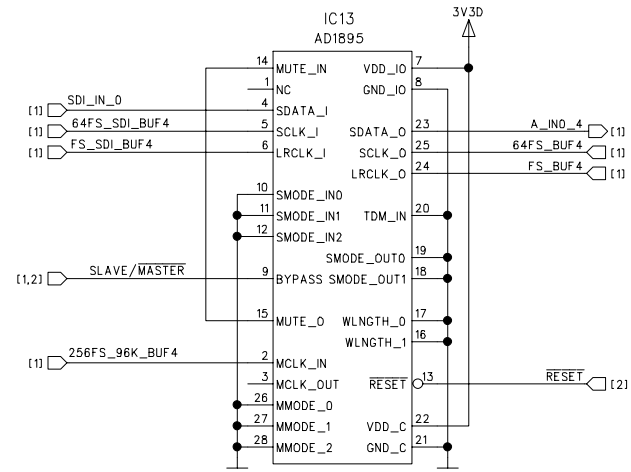
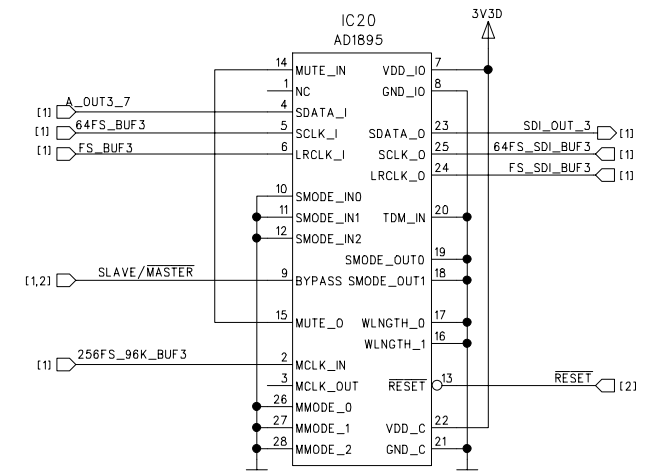
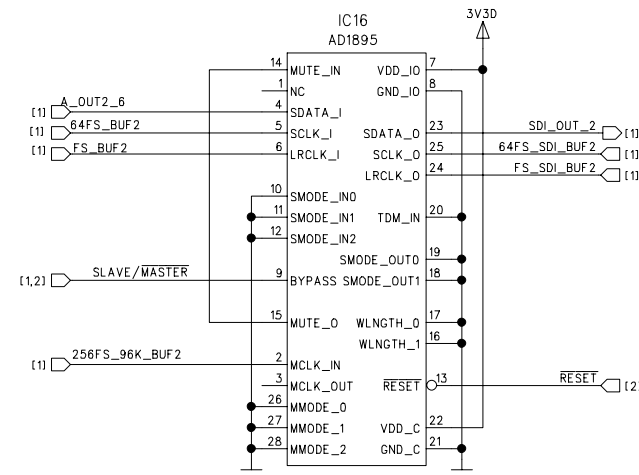
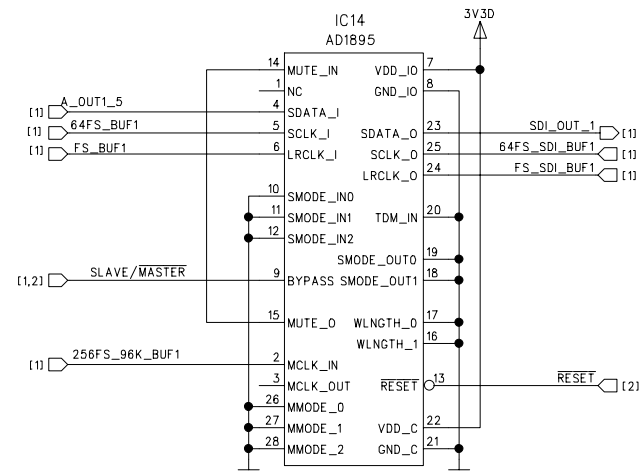
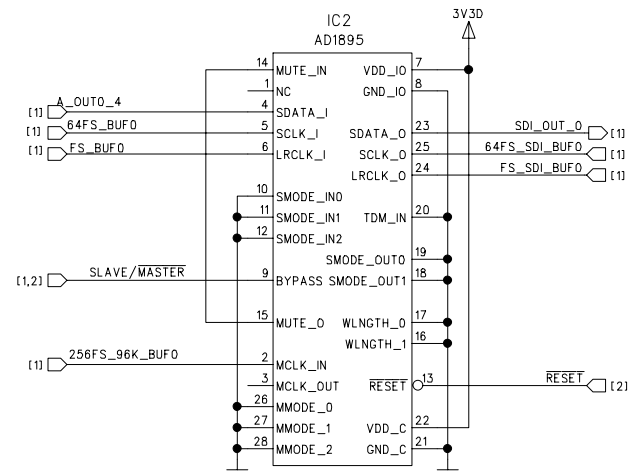
Idx. Pos.	Part No.	Qty.	Type/Val.	Description
-----------	----------	------	-----------	-------------

End of List

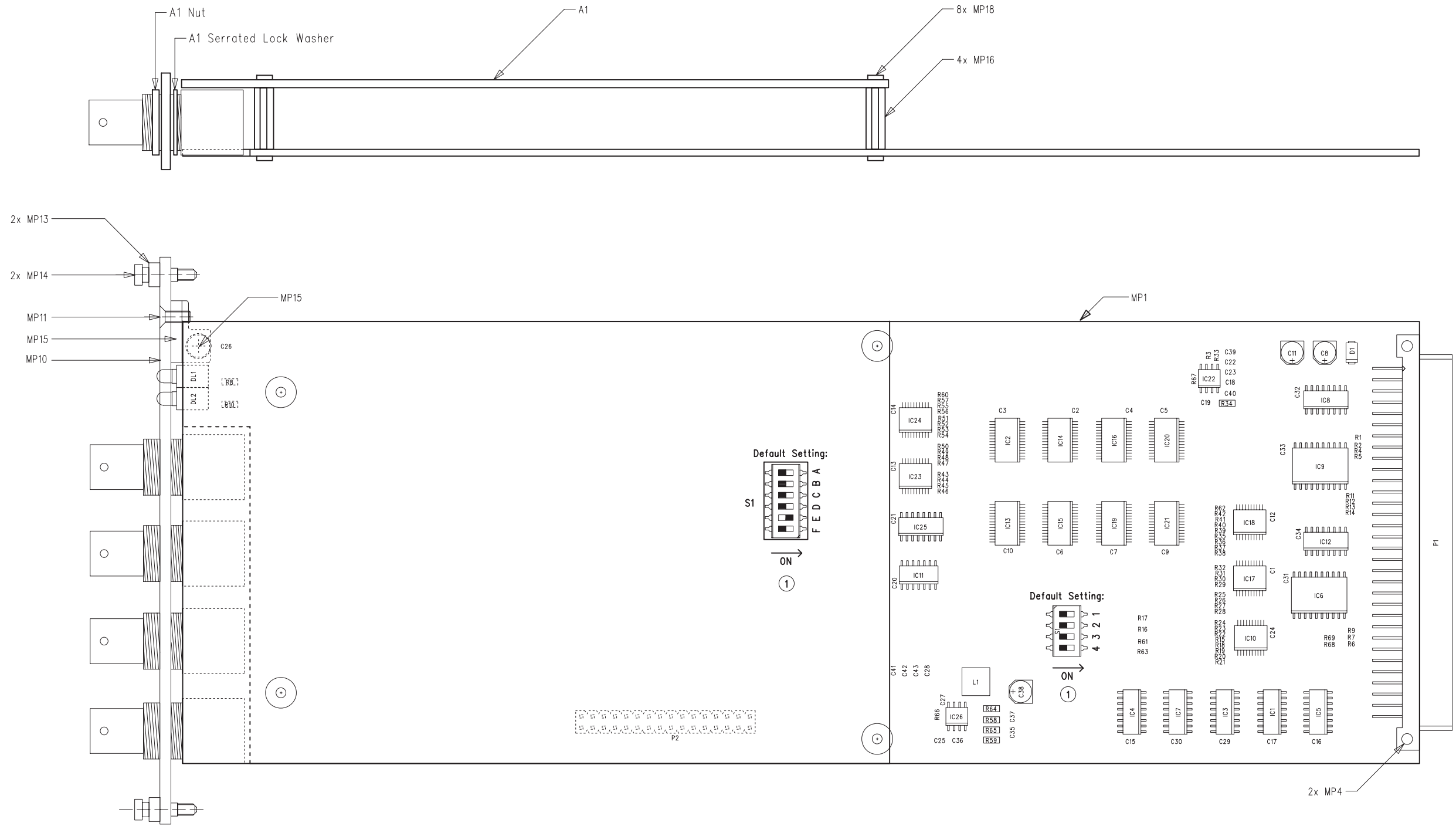
Comments:

[22] 09.11.06 Firmware update (IC 1)



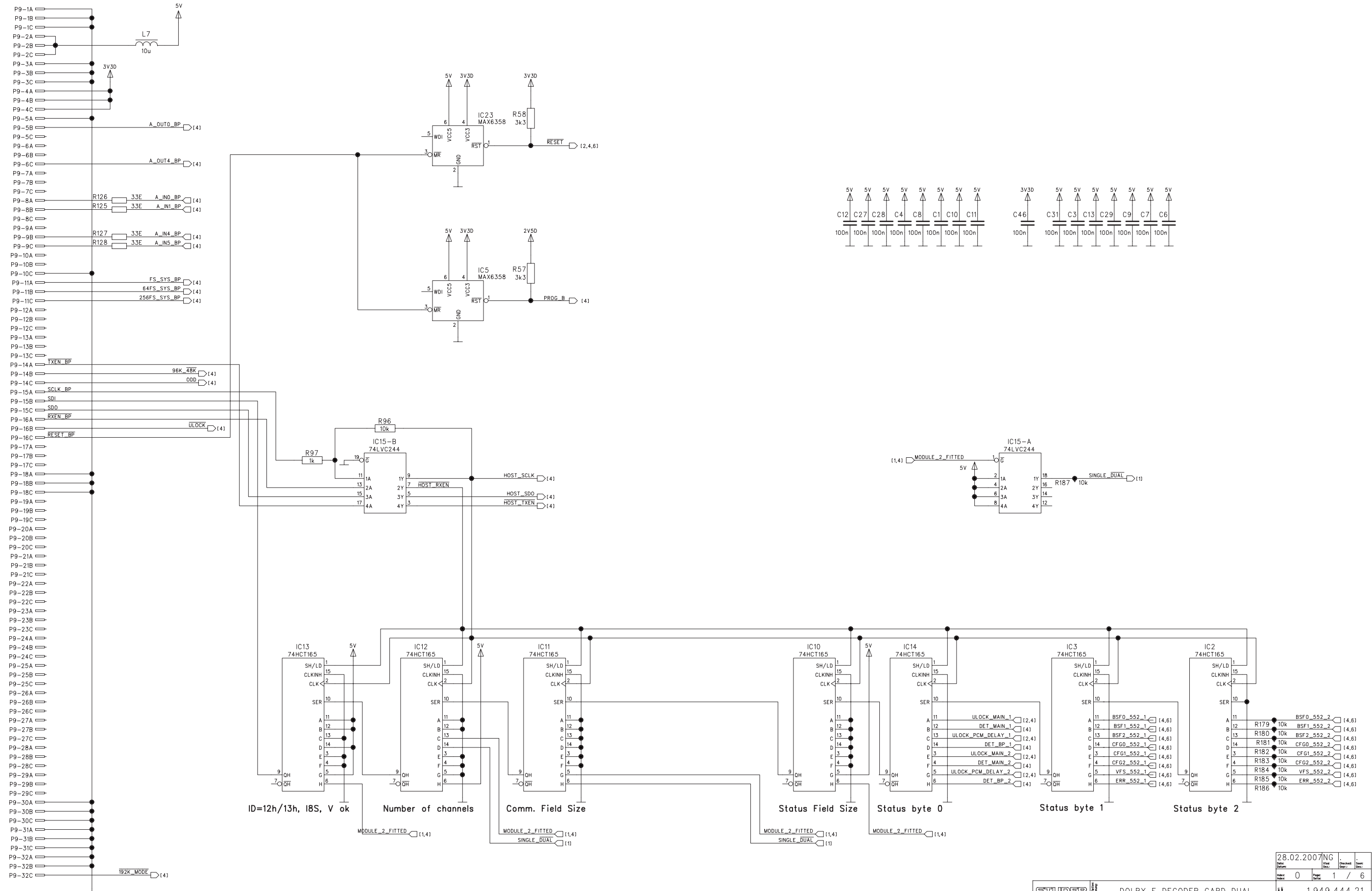


SDI I/O Card 1.949.442.00 (1)

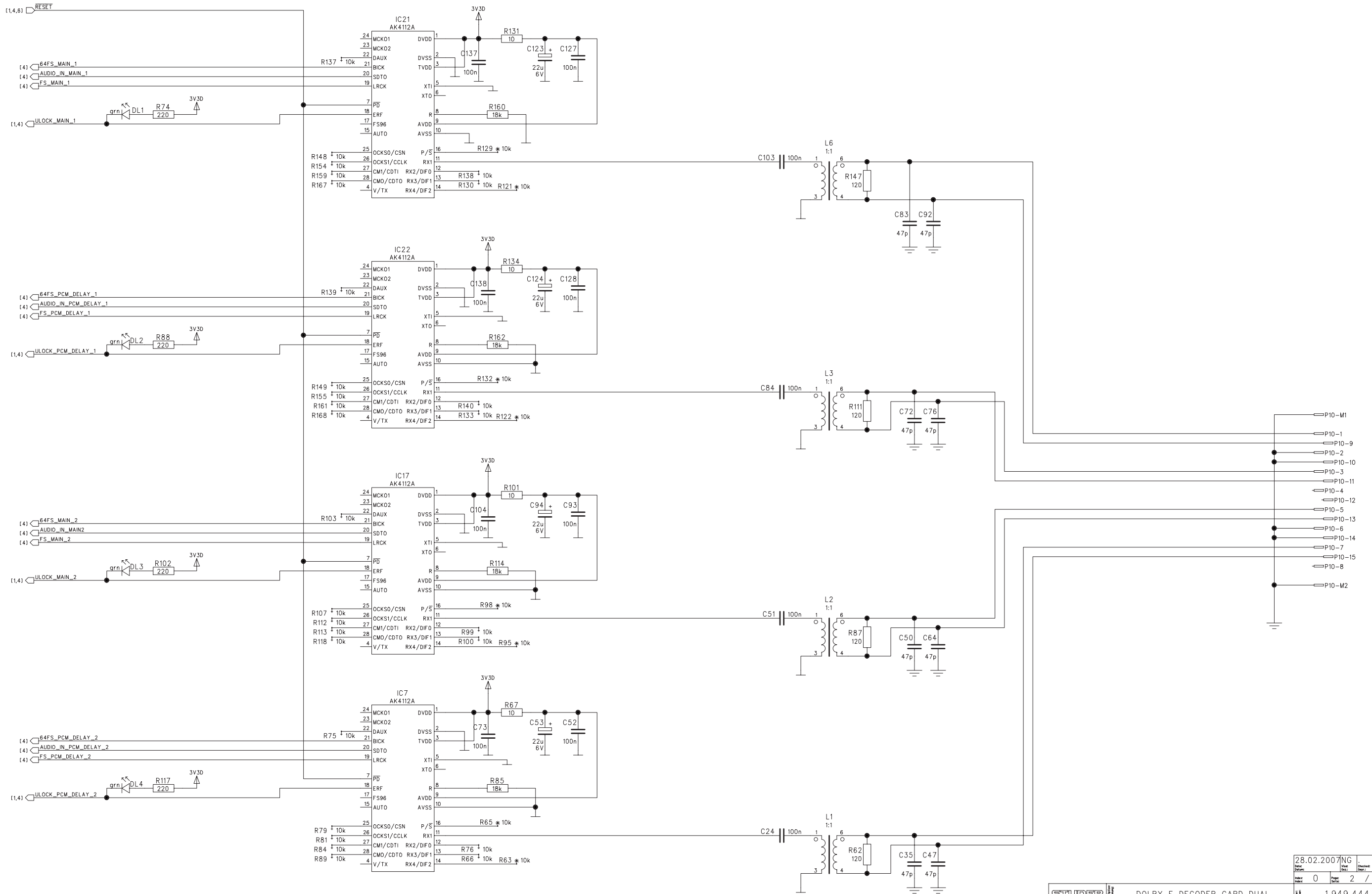


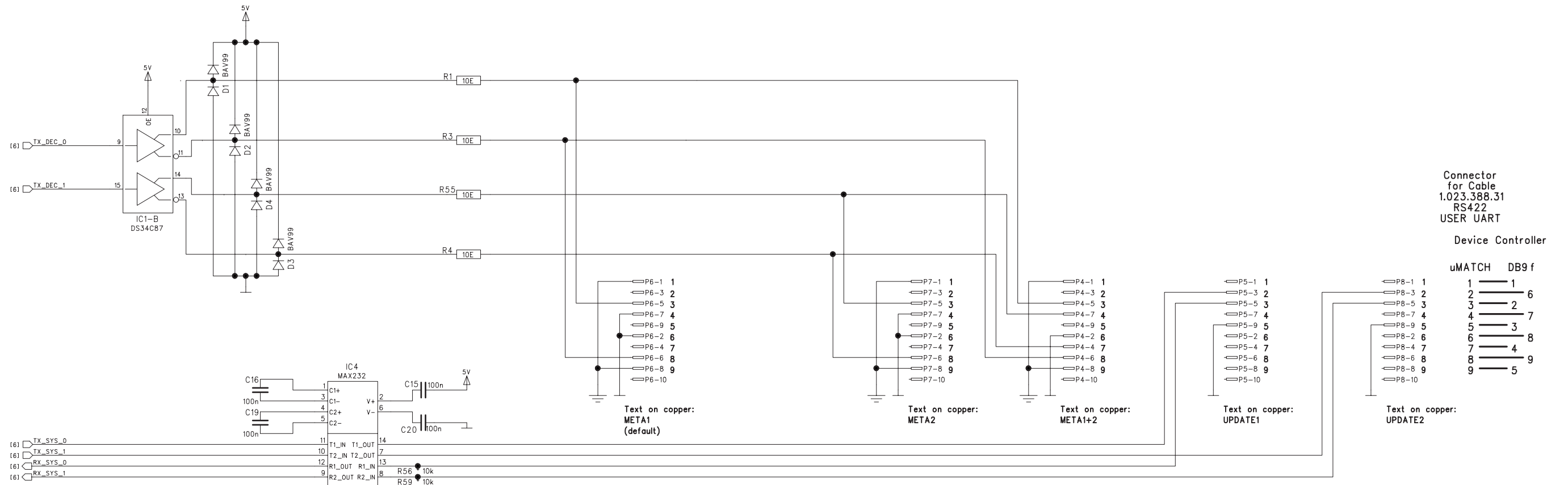
SDI I/O Card 1.949.442.00 (0)

Idx.	Pos.	Part No.	Qty.	Type/Val.	Description	Idx.	Pos.	Part No.	Qty.	Type/Val.	Description
0	A 1	89.20.1200	1	pce	SDI De-/Embedder Module	0	R 16	57.69.1097	1	pce 10k	CF 5% 0603
0	C 1	59.60.3337	1	pce 100n	CER 50V, 10%, X7R, 0805	0	R 17	57.69.1097	1	pce 10k	CF 5% 0603
0	C 2	59.60.3337	1	pce 100n	CER 50V, 10%, X7R, 0805	0	R 18	57.69.1037	1	pce 33R	CF 5% 0603
0	C 3	59.60.3337	1	pce 100n	CER 50V, 10%, X7R, 0805	0	R 19	57.69.1037	1	pce 33R	CF 5% 0603
0	C 4	59.60.3337	1	pce 100n	CER 50V, 10%, X7R, 0805	0	R 20	57.69.1037	1	pce 33R	CF 5% 0603
0	C 5	59.60.3337	1	pce 100n	CER 50V, 10%, X7R, 0805	0	R 21	57.69.1037	1	pce 33R	CF 5% 0603
0	C 6	59.60.3337	1	pce 100n	CER 50V, 10%, X7R, 0805	0	R 22	57.69.1037	1	pce 33R	CF 5% 0603
0	C 7	59.60.3337	1	pce 100n	CER 50V, 10%, X7R, 0805	0	R 23	57.69.1037	1	pce 33R	CF 5% 0603
0	C 8	59.68.0027	1	pce 47u	EL 6V, 5.0*5.7	0	R 24	57.69.1037	1	pce 33R	CF 5% 0603
0	C 9	59.60.3337	1	pce 100n	CER 50V, 10%, X7R, 0805	0	R 25	57.69.1037	1	pce 33R	CF 5% 0603
0	C 10	59.60.3337	1	pce 100n	CER 50V, 10%, X7R, 0805	0	R 26	57.69.1037	1	pce 33R	CF 5% 0603
0	C 11	59.68.0027	1	pce 47u	EL 6V, 5.0*5.7	0	R 27	57.69.1037	1	pce 33R	CF 5% 0603
0	C 12	59.60.3337	1	pce 100n	CER 50V, 10%, X7R, 0805	0	R 28	57.69.1037	1	pce 33R	CF 5% 0603
0	C 13	59.60.3337	1	pce 100n	CER 50V, 10%, X7R, 0805	0	R 29	57.69.1037	1	pce 33R	CF 5% 0603
0	C 14	59.60.3337	1	pce 100n	CER 50V, 10%, X7R, 0805	0	R 30	57.69.1037	1	pce 33R	CF 5% 0603
0	C 15	59.60.3337	1	pce 100n	CER 50V, 10%, X7R, 0805	0	R 31	57.69.1037	1	pce 33R	CF 5% 0603
0	C 16	59.60.3337	1	pce 100n	CER 50V, 10%, X7R, 0805	0	R 32	57.69.1037	1	pce 33R	CF 5% 0603
0	C 17	59.60.3337	1	pce 100n	CER 50V, 10%, X7R, 0805	0	R 33	57.69.1097	1	pce 10k	CF 5% 0603
0	C 18	59.60.2373	1	pce 1n0	CER 50V, 5%, COG, 0805	0	R 34	57.60.1471	1	pce 470R	MF, 1%, 0204, E24
0	C 19	59.60.3337	1	pce 100n	CER 50V, 10%, X7R, 0805	0	R 35	57.69.1037	1	pce 33R	CF 5% 0603
0	C 20	59.60.3337	1	pce 100n	CER 50V, 10%, X7R, 0805	0	R 36	57.69.1037	1	pce 33R	CF 5% 0603
0	C 21	59.60.3337	1	pce 100n	CER 50V, 10%, X7R, 0805	0	R 37	57.69.1037	1	pce 33R	CF 5% 0603
0	C 22	59.60.2373	1	pce 1n0	CER 50V, 5%, COG, 0805	0	R 38	57.69.1037	1	pce 33R	CF 5% 0603
0	C 23	59.60.3337	1	pce 100n	CER 50V, 10%, X7R, 0805	0	R 39	57.69.1037	1	pce 33R	CF 5% 0603
0	C 24	59.60.3337	1	pce 100n	CER 50V, 10%, X7R, 0805	0	R 40	57.69.1037	1	pce 33R	CF 5% 0603
0	C 25	59.60.3902	1	pce 100n	CER 6.3V, 0402	0	R 41	57.69.1037	1	pce 33R	CF 5% 0603
0	C 26	59.60.3337	1	pce 100n	CER 50V, 10%, X7R, 0805	0	R 42	57.69.1037	1	pce 33R	CF 5% 0603
0	C 27	59.60.3904	1	pce 10u	CER 6.3V, 0805	0	R 43	57.69.1037	1	pce 33R	CF 5% 0603
0	C 28	59.60.3337	1	pce 100n	CER 50V, 10%, X7R, 0805	0	R 44	57.69.1037	1	pce 33R	CF 5% 0603
0	C 29	59.60.3337	1	pce 100n	CER 50V, 10%, X7R, 0805	0	R 45	57.69.1037	1	pce 33R	CF 5% 0603
0	C 30	59.60.3337	1	pce 100n	CER 50V, 10%, X7R, 0805	0	R 46	57.69.1037	1	pce 33R	CF 5% 0603
0	C 31	59.60.3337	1	pce 100n	CER 50V, 10%, X7R, 0805	0	R 47	57.69.1037	1	pce 33R	CF 5% 0603
0	C 32	59.60.3337	1	pce 100n	CER 50V, 10%, X7R, 0805	0	R 48	57.69.1037	1	pce 33R	CF 5% 0603
0	C 33	59.60.3337	1	pce 100n	CER 50V, 10%, X7R, 0805	0	R 49	57.69.1037	1	pce 33R	CF 5% 0603
0	C 34	59.60.3337	1	pce 100n	CER 50V, 10%, X7R, 0805	0	R 50	57.69.1037	1	pce 33R	CF 5% 0603
0	C 35	59.60.2257	1	pce 220p	CER 50V, 5%, COG, 0603	0	R 51	57.69.1037	1	pce 33R	CF 5% 0603
0	C 36	59.60.3902	1	pce 100n	CER 6.3V, 0402	0	R 52	57.69.1037	1	pce 33R	CF 5% 0603
0	C 37	59.60.2249	1	pce 100p	CER 50V, 5%, COG, 0603	0	R 53	57.69.1037	1	pce 33R	CF 5% 0603
0	C 38	59.68.0027	1	pce 47u	EL 6V, 5.0*5.7	0	R 54	57.69.1037	1	pce 33R	CF 5% 0603
0	C 39	59.60.3904	1	pce 10u	CER 6.3V, 0805	0	R 55	57.69.1037	1	pce 33R	CF 5% 0603
0	C 40	59.60.3904	1	pce 10u	CER 6.3V, 0805	0	R 56	57.69.1037	1	pce 33R	CF 5% 0603
0	C 41	59.60.3337	1	pce 100n	CER 50V, 10%, X7R, 0805	0	R 57	57.69.1037	1	pce 33R	CF 5% 0603
0	C 42	59.60.3337	1	pce 100n	CER 50V, 10%, X7R, 0805	0	R 58	57.60.1101	1	pce 100R	MF, 1%, 0204, E24
0	C 43	59.60.3337	1	pce 100n	CER 50V, 10%, X7R, 0805	0	R 59	57.60.1104	1	pce 100k	MF, 1%, 0204, E24
0	D 1	50.60.8003	1	pce S1B	1000mA 100V DO 214AC	0	R 60	57.69.1037	1	pce 33R	CF 5% 0603
0	DL 1	50.04.2751	1	pce gm	LED mit Halter	0	R 61	57.69.1097	1	pce 10k	CF 5% 0603
0	DL 2	50.04.2752	1	pce yel	LED mit Halter	0	R 62	57.69.1037	1	pce 33R	CF 5% 0603
0	IC 1	50.62.3165	1	pce	74HCT165	0	R 63	57.69.1097	1	pce 10k	CF 5% 0603
0	IC 2	50.62.0919	1	pce	AD1895	0	R 64	57.60.1392	1	pce 3k9	MF, 1%, 0204, E24
0	IC 3	50.62.3165	1	pce	74HCT165	0	R 65	57.60.1122	1	pce 1k2	MF, 1%, 0204, E24
0	IC 4	50.62.3165	1	pce	74HCT165	0	R 66	57.69.1025	1	pce 10R	CF 5% 0603
0	IC 5	50.62.3165	1	pce	74HCT165	0	R 67	57.69.1073	1	pce 1k0	CF 5% 0603
0	IC 6	50.65.0244	1	pce	74LVC244	0	R 68	57.69.1097	1	pce 10k	CF 5% 0603
0	IC 7	50.62.3165	1	pce	74HCT165	0	R 69	57.69.1097	1	pce 10k	CF 5% 0603
0	IC 8	50.65.0157	1	pce	74LVC157	0	S 1	55.60.0104	1	pce 4p	SMD DIL-Switch
0	IC 9	50.65.0244	1	pce	74LVC244	End of List					
0	IC 10	50.62.6807	1	pce	74FCT3807	Comments:					
0	IC 11	50.65.0000	1	pce	74LVC00						
0	IC 12	50.65.0157	1	pce	74LVC157						
0	IC 13	50.62.0919	1	pce	AD1895						
0	IC 14	50.62.0919	1	pce	AD1895						
0	IC 15	50.62.0919	1	pce	AD1895						
0	IC 16	50.62.0919	1	pce	AD1895						
0	IC 17	50.62.6807	1	pce	74FCT3807						
0	IC 18	50.62.6807	1	pce	74FCT3807						
0	IC 19	50.62.0919	1	pce	AD1895						
0	IC 20	50.62.0919	1	pce	AD1895						
0	IC 21	50.62.0919	1	pce	AD1895						
0	IC 22	50.63.2001	1	pce	7705B						
0	IC 23	50.62.6807	1	pce	74FCT3807						
0	IC 24	50.62.6807	1	pce	74FCT3807						
0	IC 25	50.65.0157	1	pce	74LVC157						
0	IC 26	50.61.2007	1	pce	MAX1951						
0	L 1	62.60.0145	1	pce	2u2						
0	MP 1	1.949.442.13	1	pce	SDI BOARD						
0	MP 2	1.949.442.10	1	pce	Nr. ETIKETTE 5x20						
0	MP 3	43.01.0108	1	pce	Label						
0	MP 4	28.99.0119	2	pcs	ROHRNIETE D 2.5*0.15* 9						
0	MP 10	1.949.442.01	1	pce	FRONTPLATTE SDI CARD						
0	MP 11	49.02.0523	1	pce	Senk-Schr, KS, Senkripp						
0	MP 13	49.02.0521	2	pcs	Metall-Buchse (Rack)						
0	MP 14	49.02.0524	2	pcs	Schraube spezial						
0	MP 15	49.02.0522	1	pce	Kartenhalter mit Z-Schr						
0	MP 16	1.010.207.27	4	pcs	Mutter-Bolzen 6kt Ms Ni						
0	MP 18	21.01.0278	8	pcs	Z - Schraube Zn bl chr						
0	P 1	54.11.2009	1	pce	96p						
0	P 2	53.03.0235	1	pce	2*16p						
0	R 1	57.69.1037	1	pce 33R	Connector female DIL						
0	R 2	57.69.1037	1	pce 33R	CF 5% 0603						
0	R 3	57.69.1025	1	pce 10R	CF 5% 0603						
0	R 4	57.69.1037	1	pce 33R	CF 5% 0603						
0	R 5	57.69.1037	1	pce 33R	CF 5% 0603						
0	R 6	57.69.1073	1	pce 1k0	CF 5% 0603						
0	R 7	57.69.1097	1	pce 10k	CF 5% 0603						
0	R 8	57.60.1121	1	pce 120R	MF, 1%, 0204, E24						
0	R 9	57.69.1037	1	pce 33R	CF 5% 0603						
0	R 10	57.60.1121	1	pce 120R	MF, 1%, 0204, E24						
0	R 11	57.69.1037	1	pce 33R	CF 5% 0603						
0	R 12	57.69.1037	1	pce 33R	CF 5% 0603						
0	R 13	57.69.1037	1	pce 33R	CF 5% 0603						
0	R 14	57.69.1037	1	pce 33R	CF 5% 0603						
0	R 15	57.69.1037	1	pce 33R	CF 5% 0603						



28.02.2007NG			
Doc. Name	0	Page	1 / 6
Doc. Rev.		Doc. Date	





Connector for Cable 1.023.388.31 RS422 USER UART

Device Controller

uMATCH	DB9 f
1	1
2	6
3	2
4	7
5	3
6	8
7	4
8	9
9	5

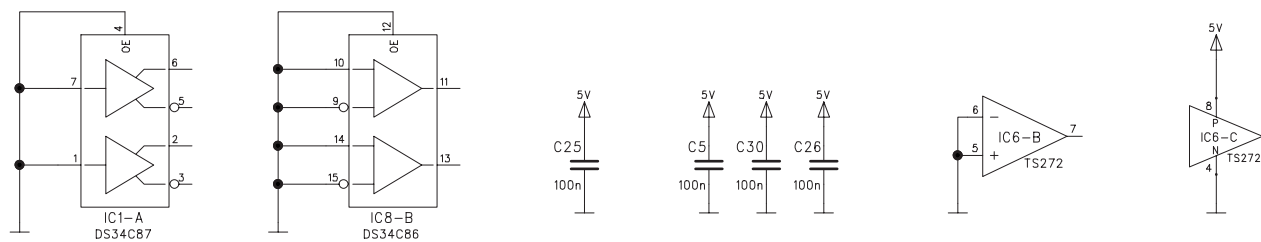
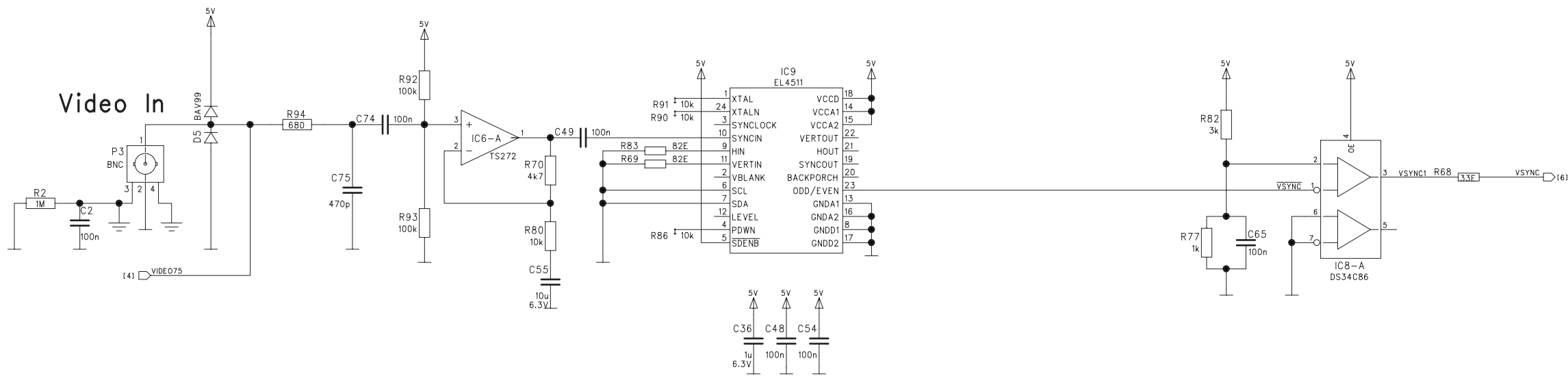
Text on copper: META1 (default)

Text on copper: META2

Text on copper: META1+2

Text on copper: UPDATE1

Text on copper: UPDATE2



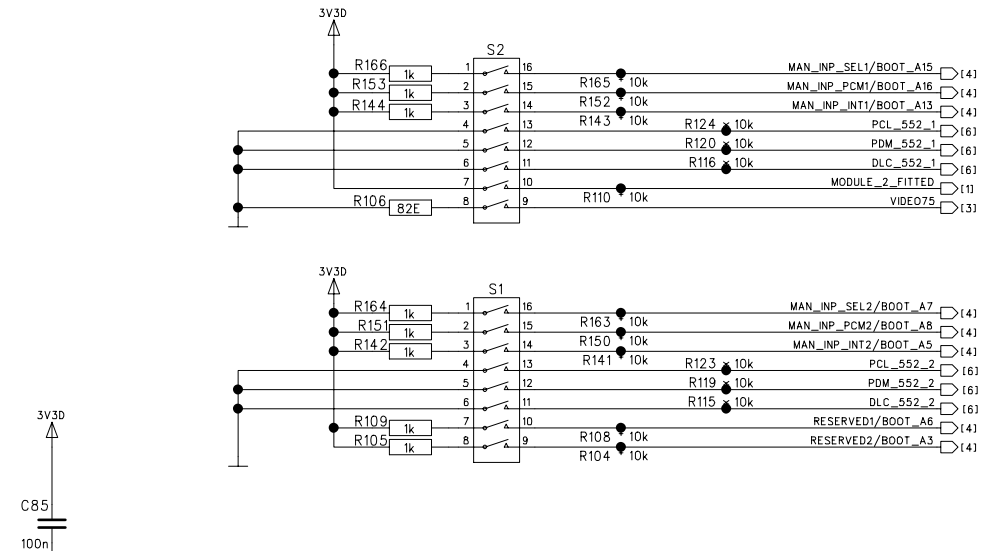
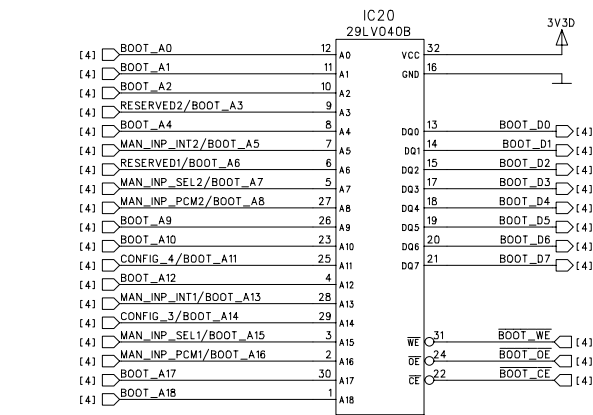
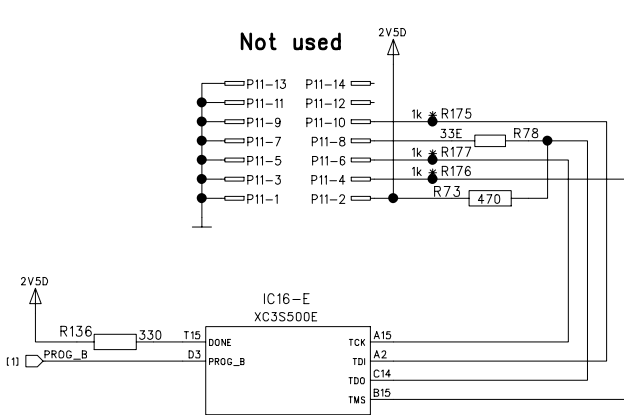
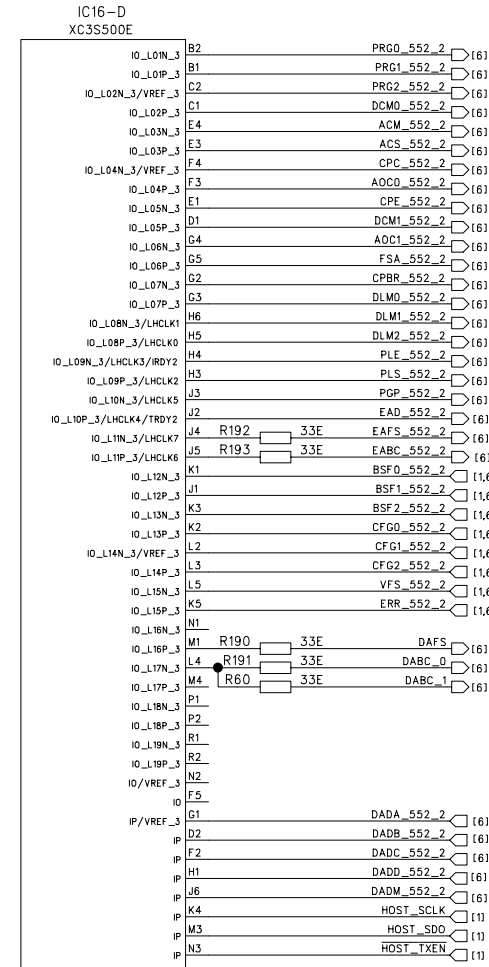
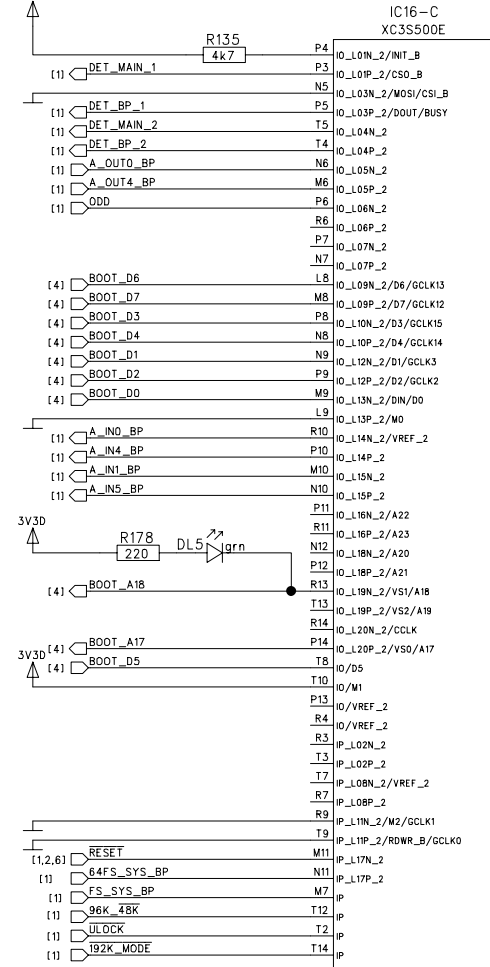
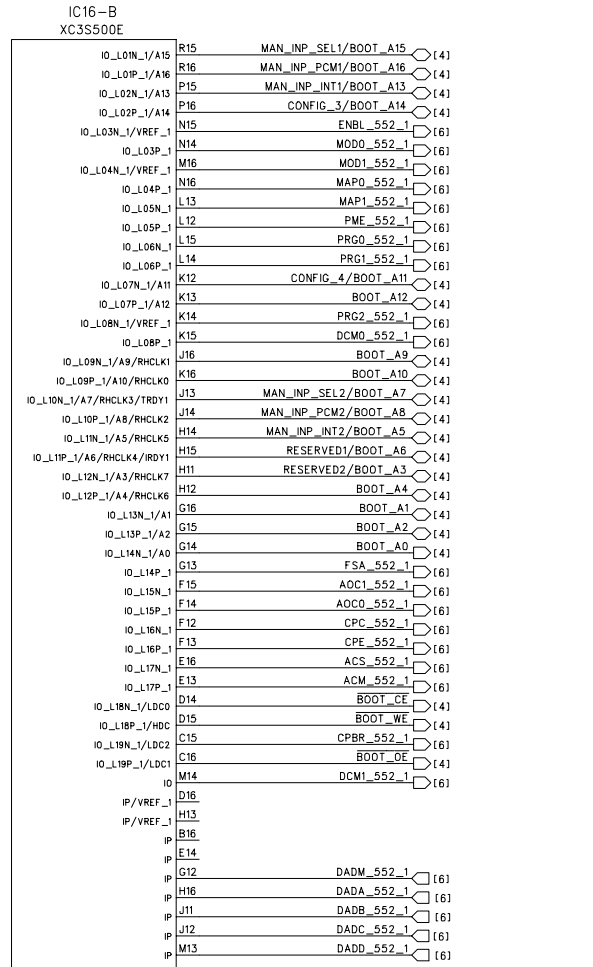
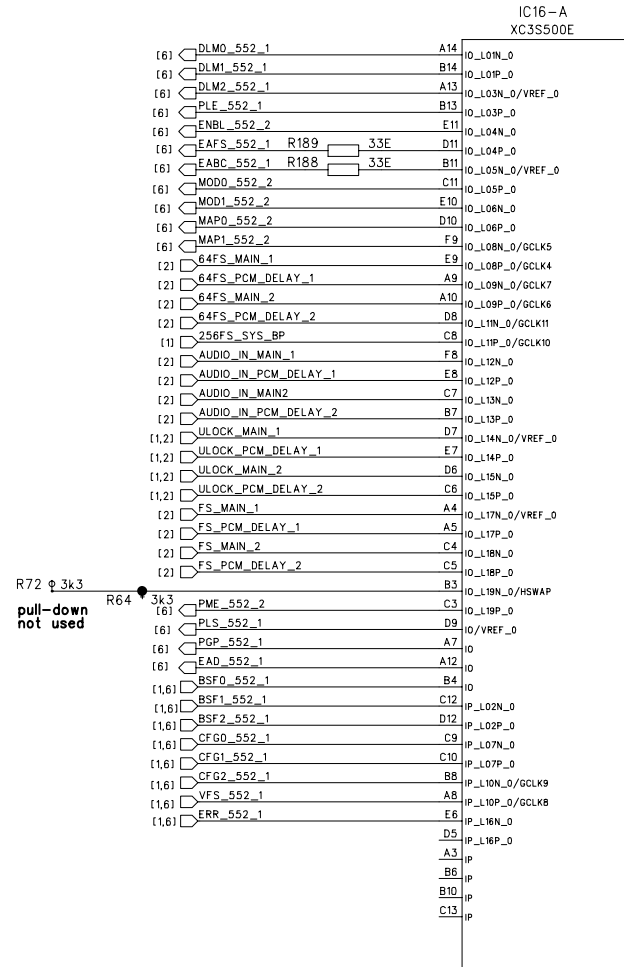
Date:	28.02.2007	NG		
Issue:	0	Page:	3 / 6	
Index:		Page:		
Order:		Order:		

Bank0

Bank1

Bank2

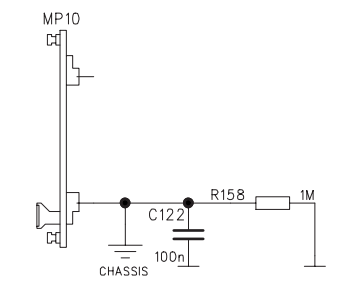
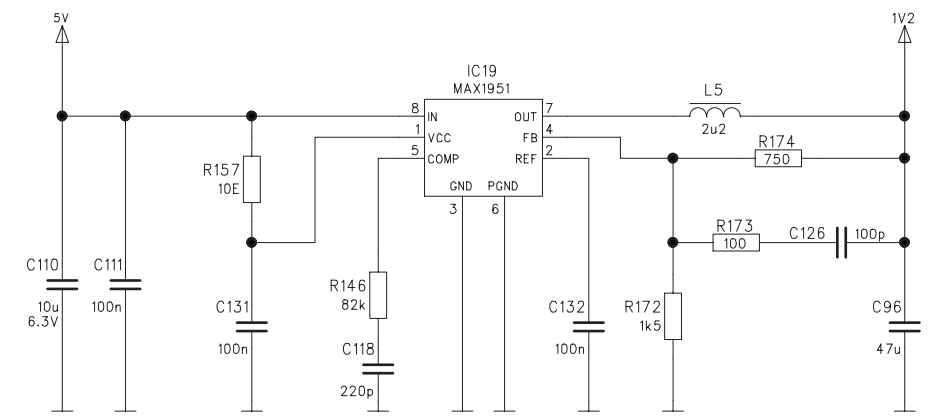
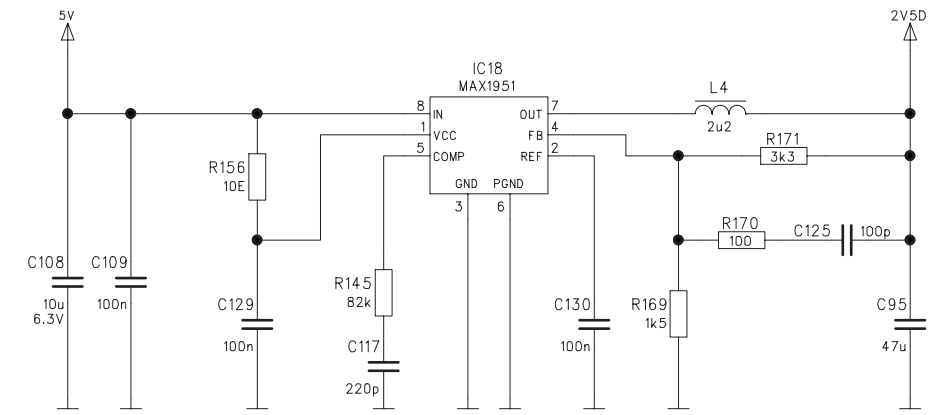
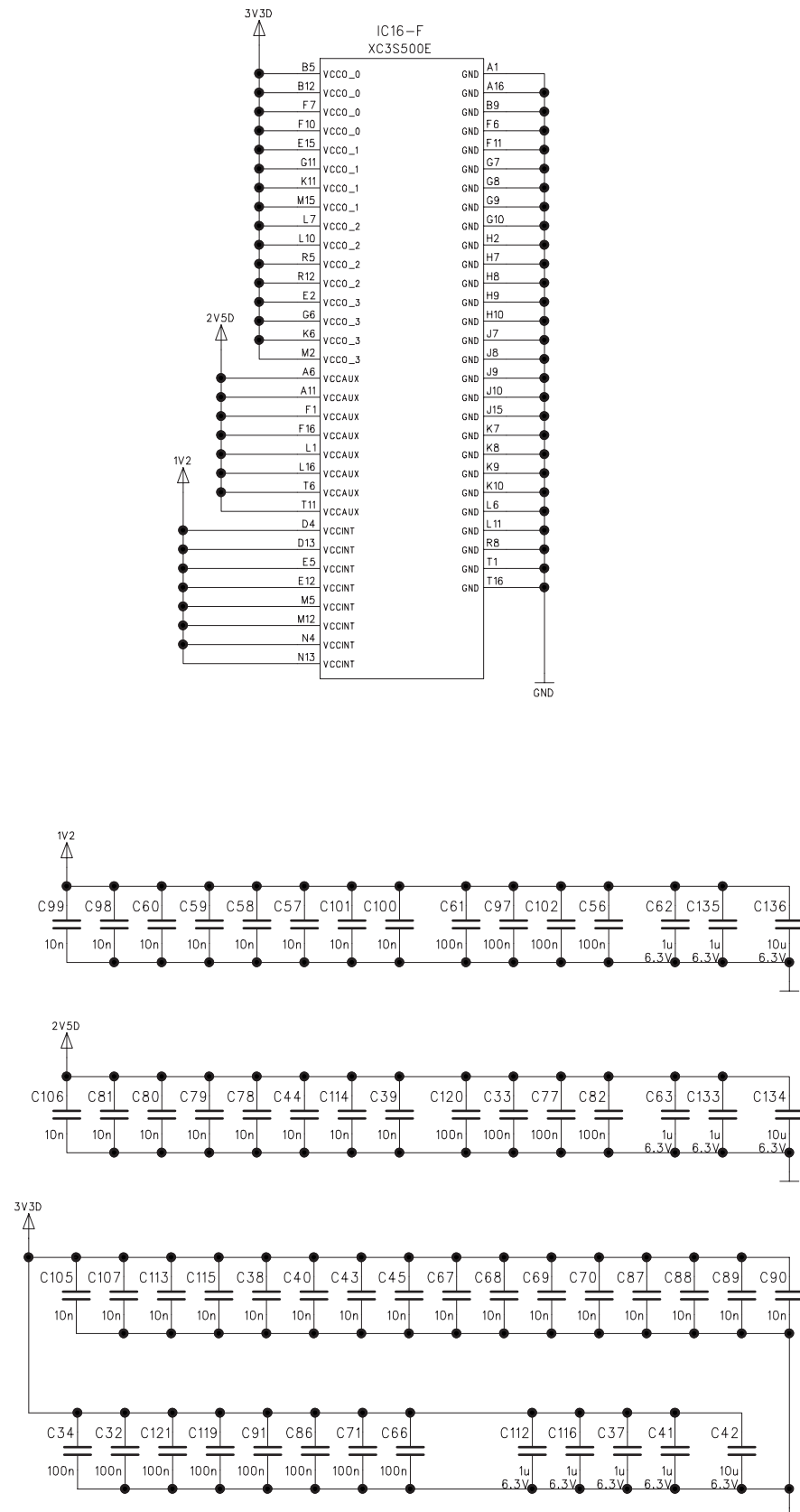
Bank3



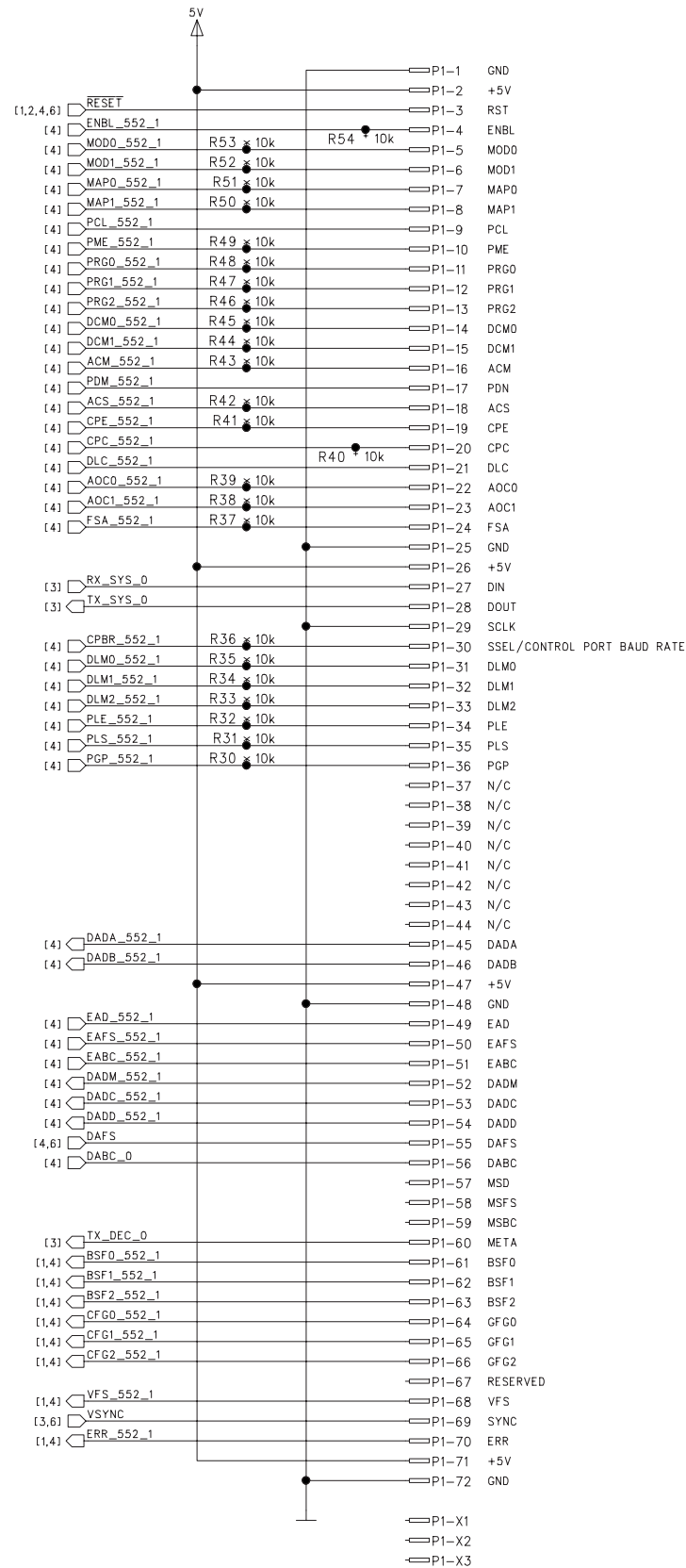
TEXT ON COPPER:
 MAN. INP. SEL. 1
 MAN. INP. PCM 1
 MAN. INP. INTERNAL 1
 PCM LATENCY MIN 1
 PULLDOWN MODE 1
 DOWNLOAD CONFIG 1
 MODULE 2 FITTED
 VIDEO 75 Ohm

TEXT ON COPPER:
 MAN. INP. SEL. 2
 MAN. INP. PCM 2
 MAN. INP. INTERNAL 2
 PCM LATENCY MIN 2
 PULLDOWN MODE 2
 DOWNLOAD CONFIG 2
 DNMIX TO CH7/8 AUTO
 DNMIX TO CH7/8 MAN

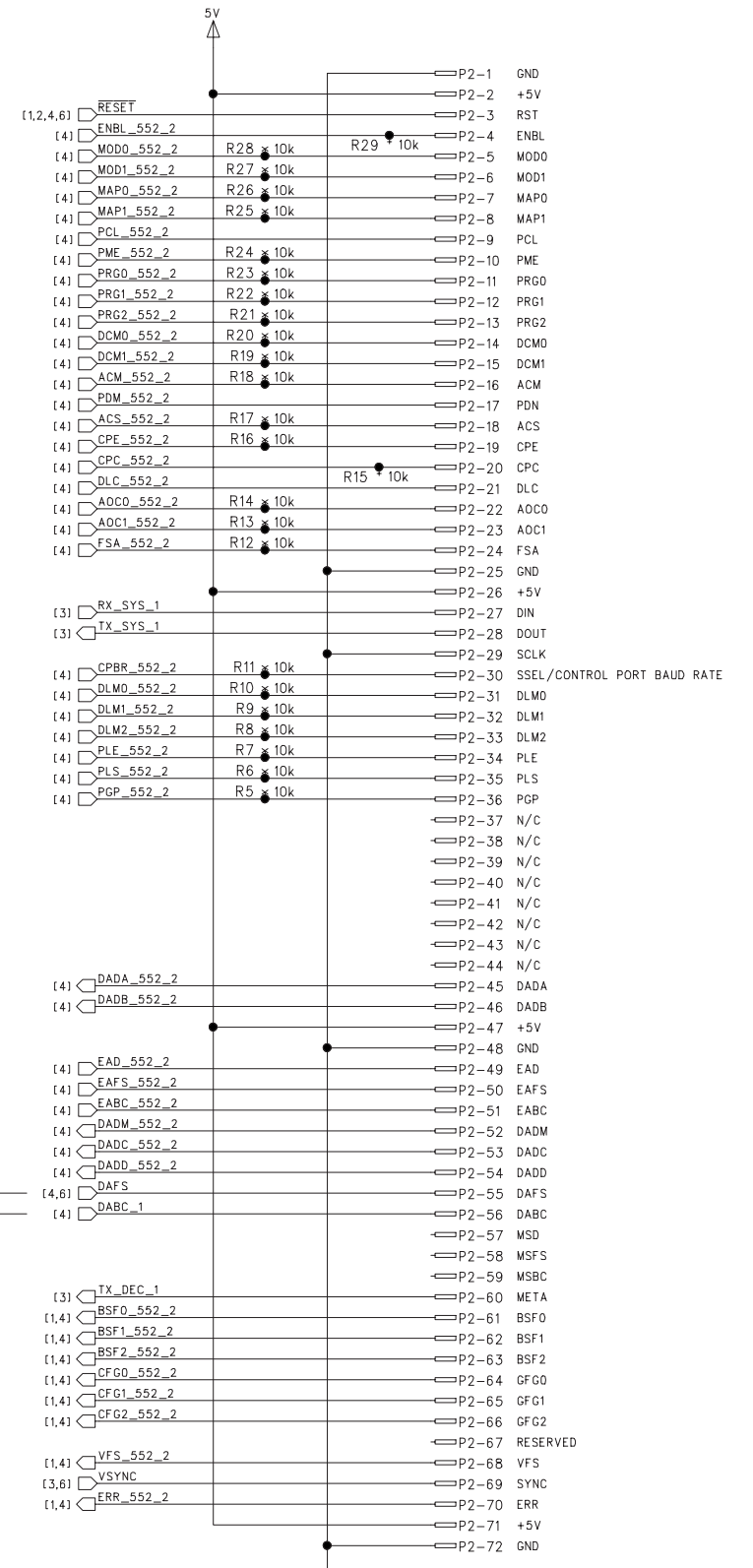
USE SOCKET



Module1



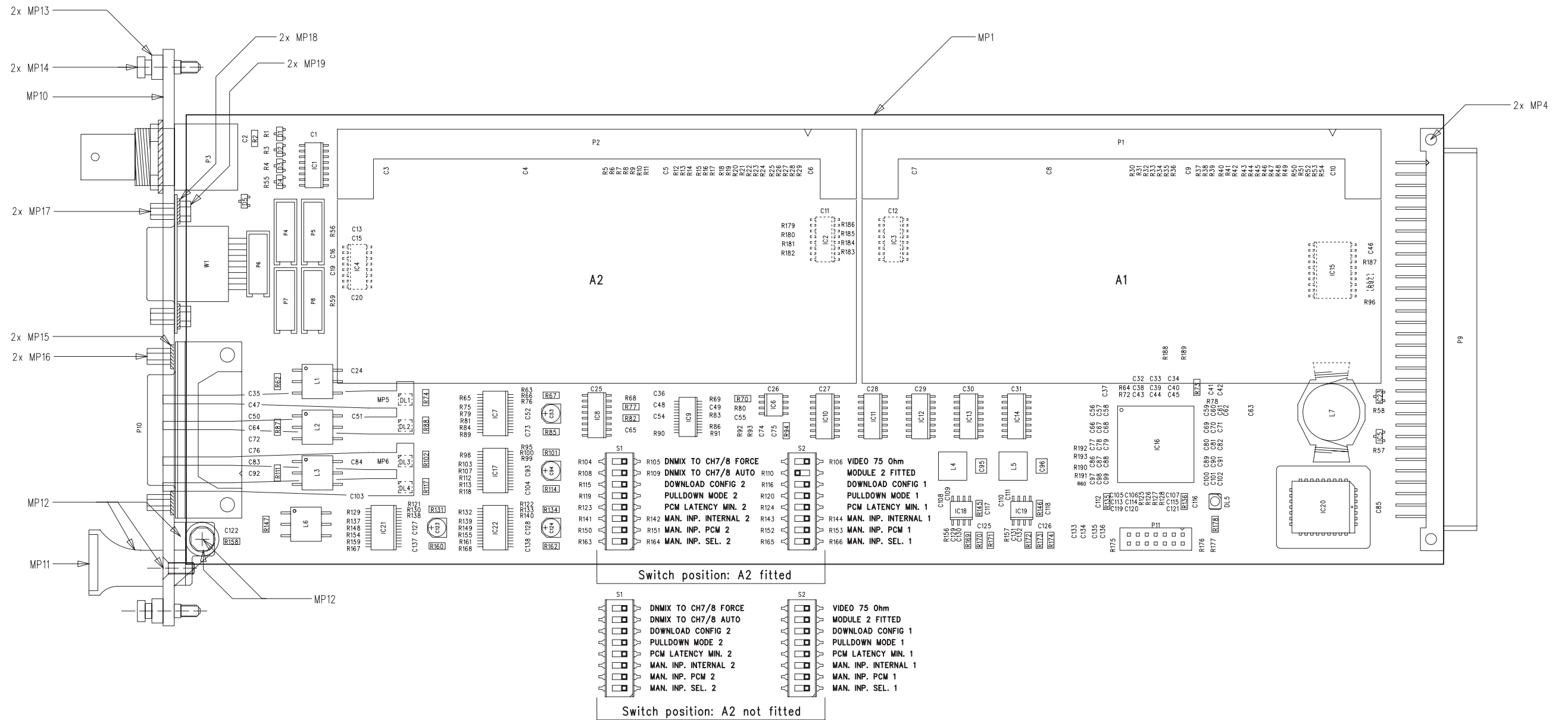
Module2



Paths should be approx equally long

28.02.2007		NG		
Date	Issue	File	Checked	Drawn
0	6	6		6
Issue	Page	of		

Dolby® E/Digital Decoder Card 1.949.443.21 (0), 1.949.444.21 (0)



28.02.2007	ZT	NG	HW
0	1	1	1

Dolby E/Digital Decoder Card 1.949.444.21 (0)

Idx. Pos.	Part No.	Qty.	Type/Val.	Description	Idx. Pos.	Part No.	Qty.	Type/Val.	Description
0 A 1	89.20.1201	1	pce	Dolby D/E Decoder Board	0 C 107	59.60.3901	1	pce 10n	CER 16V, 0402
0 A 2	89.20.1201	1	pce	Dolby D/E Decoder Board	0 C 108	59.60.3904	1	pce 10u	CER 6.3V, 0805
0 C 1	59.60.3337	1	pce 100n	CER 50V, 10%, X7R, 0805	0 C 109	59.60.3902	1	pce 100n	CER 6.3V, 0402
0 C 2	59.60.3337	1	pce 100n	CER 50V, 10%, X7R, 0805	0 C 110	59.60.3904	1	pce 10u	CER 6.3V, 0805
0 C 3	59.60.3337	1	pce 100n	CER 50V, 10%, X7R, 0805	0 C 111	59.60.3902	1	pce 100n	CER 6.3V, 0402
0 C 4	59.60.3337	1	pce 100n	CER 50V, 10%, X7R, 0805	0 C 112	59.60.3903	1	pce 1u0	CER 6.3V, 0603
0 C 5	59.60.3337	1	pce 100n	CER 50V, 10%, X7R, 0805	0 C 113	59.60.3901	1	pce 10n	CER 16V, 0402
0 C 6	59.60.3337	1	pce 100n	CER 50V, 10%, X7R, 0805	0 C 114	59.60.3901	1	pce 10n	CER 16V, 0402
0 C 7	59.60.3337	1	pce 100n	CER 50V, 10%, X7R, 0805	0 C 115	59.60.3901	1	pce 10n	CER 16V, 0402
0 C 8	59.60.3337	1	pce 100n	CER 50V, 10%, X7R, 0805	0 C 116	59.60.3903	1	pce 1u0	CER 6.3V, 0603
0 C 9	59.60.3337	1	pce 100n	CER 50V, 10%, X7R, 0805	0 C 117	59.60.2257	1	pce 220p	CER 50V, 5%, COG, 0603
0 C 10	59.60.3337	1	pce 100n	CER 50V, 10%, X7R, 0805	0 C 118	59.60.2257	1	pce 220p	CER 50V, 5%, COG, 0603
0 C 11	59.60.3337	1	pce 100n	CER 50V, 10%, X7R, 0805	0 C 119	59.60.3902	1	pce 100n	CER 6.3V, 0402
0 C 12	59.60.3337	1	pce 100n	CER 50V, 10%, X7R, 0805	0 C 120	59.60.3902	1	pce 100n	CER 6.3V, 0402
0 C 13	59.60.3337	1	pce 100n	CER 50V, 10%, X7R, 0805	0 C 121	59.60.3902	1	pce 100n	CER 6.3V, 0402
0 C 15	59.60.3337	1	pce 100n	CER 50V, 10%, X7R, 0805	0 C 122	59.60.3337	1	pce 100n	CER 50V, 10%, X7R, 0805
0 C 16	59.60.3337	1	pce 100n	CER 50V, 10%, X7R, 0805	0 C 123	59.68.0025	1	pce 22u	EL 6V, 4.0*5.7
0 C 19	59.60.3337	1	pce 100n	CER 50V, 10%, X7R, 0805	0 C 124	59.68.0025	1	pce 22u	EL 6V, 4.0*5.7
0 C 20	59.60.3337	1	pce 100n	CER 50V, 10%, X7R, 0805	0 C 125	59.60.2249	1	pce 100p	CER 50V, 5%, COG, 0603
0 C 24	59.60.3337	1	pce 100n	CER 50V, 10%, X7R, 0805	0 C 126	59.60.2249	1	pce 100p	CER 50V, 5%, COG, 0603
0 C 25	59.60.3337	1	pce 100n	CER 50V, 10%, X7R, 0805	0 C 127	59.60.3337	1	pce 100n	CER 50V, 10%, X7R, 0805
0 C 26	59.60.3337	1	pce 100n	CER 50V, 10%, X7R, 0805	0 C 128	59.60.3337	1	pce 100n	CER 50V, 10%, X7R, 0805
0 C 27	59.60.3337	1	pce 100n	CER 50V, 10%, X7R, 0805	0 C 129	59.60.3902	1	pce 100n	CER 6.3V, 0402
0 C 28	59.60.3337	1	pce 100n	CER 50V, 10%, X7R, 0805	0 C 130	59.60.3902	1	pce 100n	CER 6.3V, 0402
0 C 29	59.60.3337	1	pce 100n	CER 50V, 10%, X7R, 0805	0 C 131	59.60.3902	1	pce 100n	CER 6.3V, 0402
0 C 30	59.60.3337	1	pce 100n	CER 50V, 10%, X7R, 0805	0 C 132	59.60.3902	1	pce 100n	CER 6.3V, 0402
0 C 31	59.60.3337	1	pce 100n	CER 50V, 10%, X7R, 0805	0 C 133	59.60.3903	1	pce 1u0	CER 6.3V, 0603
0 C 32	59.60.3902	1	pce 100n	CER 6.3V, 0402	0 C 134	59.60.3904	1	pce 10u	CER 6.3V, 0805
0 C 33	59.60.3902	1	pce 100n	CER 6.3V, 0402	0 C 135	59.60.3903	1	pce 1u0	CER 6.3V, 0603
0 C 34	59.60.3902	1	pce 100n	CER 6.3V, 0402	0 C 136	59.60.3904	1	pce 10u	CER 6.3V, 0805
0 C 35	59.60.2241	1	pce 47p	CER 50V, 5%, COG, 0603	0 C 137	59.60.3337	1	pce 100n	CER 50V, 10%, X7R, 0805
0 C 36	59.60.3903	1	pce 1u0	CER 6.3V, 0603	0 C 138	59.60.3337	1	pce 100n	CER 50V, 10%, X7R, 0805
0 C 37	59.60.3903	1	pce 1u0	CER 6.3V, 0603	0 D 1	50.60.8901	1	pce	BAV99
0 C 38	59.60.3901	1	pce 10n	CER 16V, 0402	0 D 2	50.60.8901	1	pce	BAV99
0 C 39	59.60.3901	1	pce 10n	CER 16V, 0402	0 D 3	50.60.8901	1	pce	BAV99
0 C 40	59.60.3901	1	pce 10n	CER 16V, 0402	0 D 4	50.60.8901	1	pce	BAV99
0 C 41	59.60.3903	1	pce 1u0	CER 6.3V, 0603	0 D 5	50.60.8901	1	pce	BAV99
0 C 42	59.60.3904	1	pce 10u	CER 6.3V, 0805	0 DL 1	50.60.9414	1	pce gm	SMD LED 2.7*3.5
0 C 43	59.60.3901	1	pce 10n	CER 16V, 0402	0 DL 2	50.60.9414	1	pce gm	SMD LED 2.7*3.5
0 C 44	59.60.3901	1	pce 10n	CER 16V, 0402	0 DL 3	50.60.9414	1	pce gm	SMD LED 2.7*3.5
0 C 45	59.60.3901	1	pce 10n	CER 16V, 0402	0 DL 4	50.60.9414	1	pce gm	SMD LED 2.7*3.5
0 C 46	59.60.3337	1	pce 100n	CER 50V, 10%, X7R, 0805	0 DL 5	50.60.9414	1	pce gm	SMD LED 2.7*3.5
0 C 47	59.60.2241	1	pce 47p	CER 50V, 5%, COG, 0603	0 IC 1	50.62.0464	1	pce	DS34C87
0 C 48	59.60.3337	1	pce 100n	CER 50V, 10%, X7R, 0805	0 IC 2	50.62.3165	1	pce	74HCT165
0 C 49	59.60.3337	1	pce 100n	CER 50V, 10%, X7R, 0805	0 IC 3	50.62.3165	1	pce	74HCT165
0 C 50	59.60.2241	1	pce 47p	CER 50V, 5%, COG, 0603	0 IC 4	50.62.0467	1	pce	MAX 232
0 C 51	59.60.3337	1	pce 100n	CER 50V, 10%, X7R, 0805	0 IC 5	50.63.2002	1	pce	MAX6358
0 C 52	59.60.3337	1	pce 100n	CER 50V, 10%, X7R, 0805	0 IC 6	50.61.0205	1	pce	TS272CD
0 C 53	59.68.0025	1	pce 22u	EL 6V, 4.0*5.7	0 IC 7	50.62.0917	1	pce	AK4112B
0 C 54	59.60.3337	1	pce 100n	CER 50V, 10%, X7R, 0805	0 IC 8	50.62.0463	1	pce	DS34C86
0 C 55	59.60.3904	1	pce 10u	CER 6.3V, 0805	0 IC 9	50.62.0302	1	pce	EL4511
0 C 56	59.60.3902	1	pce 100n	CER 6.3V, 0402	0 IC 10	50.62.3165	1	pce	74HCT165
0 C 57	59.60.3901	1	pce 10n	CER 16V, 0402	0 IC 11	50.62.3165	1	pce	74HCT165
0 C 58	59.60.3901	1	pce 10n	CER 16V, 0402	0 IC 12	50.62.3165	1	pce	74HCT165
0 C 59	59.60.3901	1	pce 10n	CER 16V, 0402	0 IC 13	50.62.3165	1	pce	74HCT165
0 C 60	59.60.3901	1	pce 10n	CER 16V, 0402	0 IC 14	50.62.3165	1	pce	74HCT165
0 C 61	59.60.3902	1	pce 100n	CER 6.3V, 0402	0 IC 15	50.65.0244	1	pce	74LVC244
0 C 62	59.60.3903	1	pce 1u0	CER 6.3V, 0603	0 IC 16	50.63.4006	1	pce	XLXXC35500E
0 C 63	59.60.3903	1	pce 1u0	CER 6.3V, 0603	0 IC 17	50.62.0917	1	pce	AK4112B
0 C 64	59.60.2241	1	pce 47p	CER 50V, 5%, COG, 0603	0 IC 18	50.61.2007	1	pce	MAX1951
0 C 65	59.60.3337	1	pce 100n	CER 50V, 10%, X7R, 0805	0 IC 19	50.61.2007	1	pce	MAX1951
0 C 66	59.60.3902	1	pce 100n	CER 6.3V, 0402	0 IC 20	1.949.972.20	1	pce	M29W040B
0 C 67	59.60.3901	1	pce 10n	CER 16V, 0402	0 IC 21	50.62.0917	1	pce	AK4112B
0 C 68	59.60.3901	1	pce 10n	CER 16V, 0402	0 IC 22	50.62.0917	1	pce	AK4112B
0 C 69	59.60.3901	1	pce 10n	CER 16V, 0402	0 IC 23	50.63.2002	1	pce	MAX6358
0 C 70	59.60.3901	1	pce 10n	CER 16V, 0402	0 L 1	63.60.0011	1	pce	1:1
0 C 71	59.60.3902	1	pce 100n	CER 6.3V, 0402	0 L 2	63.60.0011	1	pce	1:1
0 C 72	59.60.2241	1	pce 47p	CER 50V, 5%, COG, 0603	0 L 3	63.60.0011	1	pce	1:1
0 C 73	59.60.3337	1	pce 100n	CER 50V, 10%, X7R, 0805	0 L 4	62.60.0145	1	pce 2u2	
0 C 74	59.60.3337	1	pce 100n	CER 50V, 10%, X7R, 0805	0 L 5	62.60.0145	1	pce 2u2	
0 C 75	59.60.2365	1	pce 470p	CER 50V, 5%, COG, 0805	0 L 6	63.60.0011	1	pce	1:1
0 C 76	59.60.2241	1	pce 47p	CER 50V, 5%, COG, 0603	0 L 7	62.60.0510	1	pce	10uH
0 C 77	59.60.3902	1	pce 100n	CER 6.3V, 0402	0 MP 1	1.949.444.14	1	pce	DOLBY E DECODER PCB
0 C 78	59.60.3901	1	pce 10n	CER 16V, 0402	0 MP 2	1.949.444.10	1	pce	Nr. ETIKETTE 5x20
0 C 79	59.60.3901	1	pce 10n	CER 16V, 0402	0 MP 3	43.01.0108	1	pce	Label
0 C 80	59.60.3901	1	pce 10n	CER 16V, 0402	0 MP 4	28.99.0119	2	pcs	ROHRNIETE D 2.5*0.15* 9
0 C 81	59.60.3901	1	pce 10n	CER 16V, 0402	0 MP 5	50.60.9423	1	pce	2*Lichtleiter rund für LED
0 C 82	59.60.3902	1	pce 100n	CER 6.3V, 0402	0 MP 6	50.60.9423	1	pce	2*Lichtleiter rund für LED
0 C 83	59.60.2241	1	pce 47p	CER 50V, 5%, COG, 0603	0 MP 10	1.949.443.01	1	pce	FRONTPLATTE DOLBY E CARD
0 C 84	59.60.3337	1	pce 100n	CER 50V, 10%, X7R, 0805	0 MP 11	1.940.600.05	1	pce	GRIFFEINLAGE 4TE
0 C 85	59.60.3337	1	pce 100n	CER 50V, 10%, X7R, 0805	0 MP 12	49.02.0514	1	pce	4TE
0 C 86	59.60.3902	1	pce 100n	CER 6.3V, 0402	0 MP 13	49.02.0521	2	pcs	Frontplatten-Griffsatz
0 C 87	59.60.3901	1	pce 10n	CER 16V, 0402	0 MP 14	49.02.0524	2	pcs	Metall-Buchse (Rack)
0 C 88	59.60.3901	1	pce 10n	CER 16V, 0402	0 MP 15	24.16.2025	2	pcs	Schraube spezial
0 C 89	59.60.3901	1	pce 10n	CER 16V, 0402	0 MP 16	54.13.0081	2	pcs	Fächerscheibe Form A
0 C 90	59.60.3901	1	pce 10n	CER 16V, 0402	0 MP 17	54.13.0083	2	pcs	Bolzen UNC 4-40
0 C 91	59.60.3901	1	pce 10n	CER 16V, 0402	0 MP 18	24.16.2030	2	pcs	4.85mm
0 C 92	59.60.2241	1	pce 47p	CER 50V, 5%, COG, 0603	0 MP 19	22.01.8030	2	pcs	3.2/6.0
0 C 93	59.60.3337	1	pce 100n	CER 50V, 10%, X7R, 0805	0 P 1	54.10.3773	1	pce	72p
0 C 94	59.68.0025	1	pce 22u	EL 6V, 4.0*5.7	0 P 2	54.10.3773	1	pce	72p
0 C 95	59.60.3906	1	pce 47u	CER 6.3V, 1210	0 P 3	54.21.2019	1	pce	BNC
0 C 96	59.60.3906	1	pce 47u	CER 6.3V, 1210	0 P 4	54.14.5510	1	pce	10p
0 C 97	59.60.3902	1	pce 100n	CER 6.3V, 0402	0 P 5	54.14.5510	1	pce	10p
0 C 98	59.60.3901	1	pce 10n	CER 16V, 0402	0 P 6	54.14.5510	1	pce	10p
0 C 99	59.60.3901	1	pce 10n	CER 16V, 0402	0 P 7	54.14.5510	1	pce	10p
0 C 100	59.60.3901	1	pce 10n	CER 16V, 0402	0 P 8	54.14.5510	1	pce	10p
0 C 101	59.60.3901	1	pce 10n	CER 16V, 0402	0 P 9	54.11.2009	1	pce	96p
0 C 102	59.60.3902	1	pce 100n	CER 6.3V, 0402	0 P 10	54.13.0072	1	pce	15p
0 C 103	59.60.3337	1	pce 100n	CER 50V, 10%, X7R, 0805	0 P 11	not used	1	pce	not used
0 C 104	59.60.3337	1	pce 100n	CER 50V, 10%, X7R, 0805	0 R 1	57.69.1025	1	pce	10R
0 C 105	59.60.3901	1	pce 10n	CER 16V, 0402	0 R 2	57.60.1105	1	pce	10M
0 C 106	59.60.3901	1	pce 10n	CER 16V, 0402	0 R 3	57.69.1025	1	pce	10R
					0 R 4	57.69.1025	1	pce	10R</

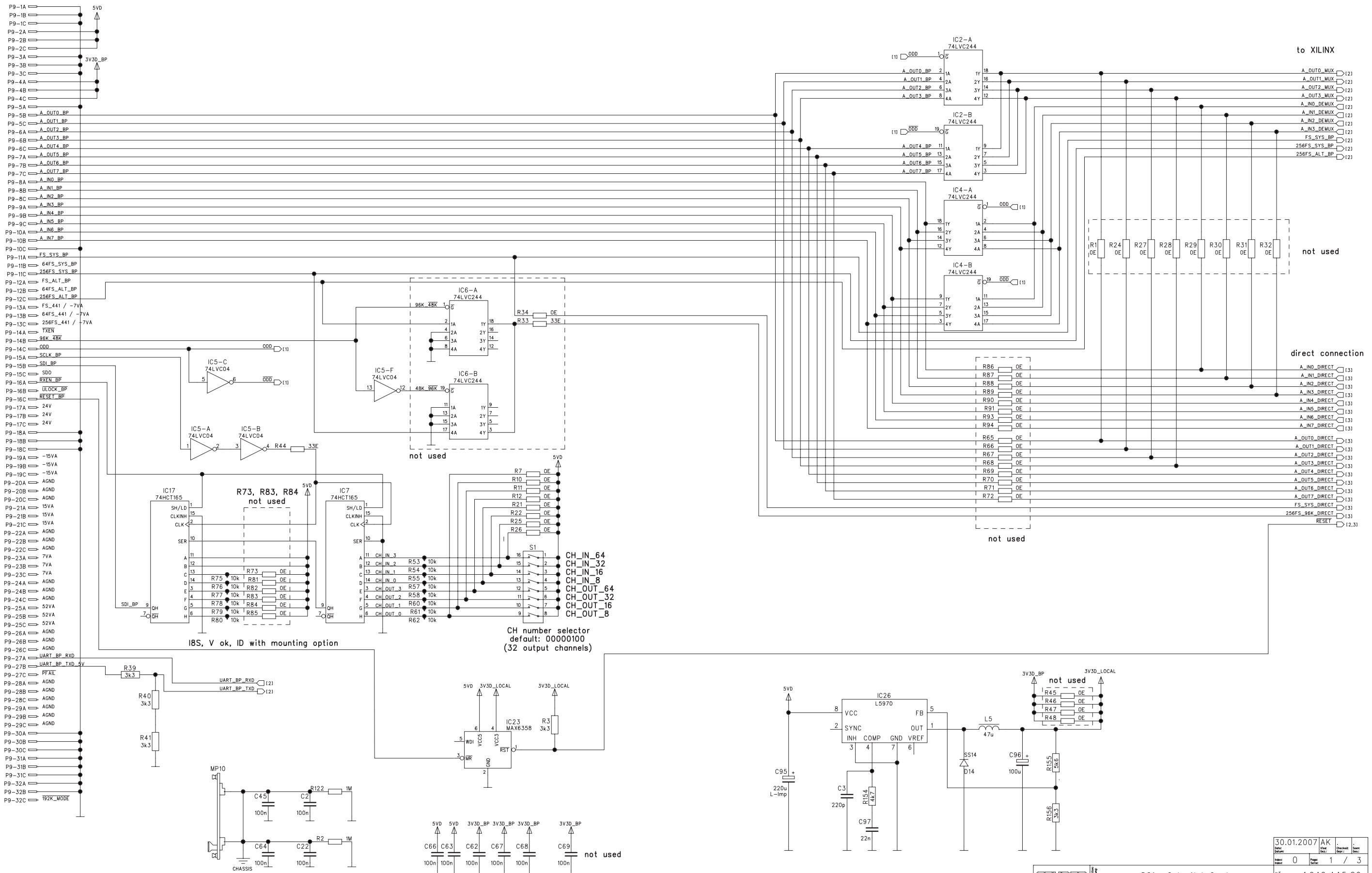
Dolby E/Digital Decoder Card 1.949.444.21 (0)

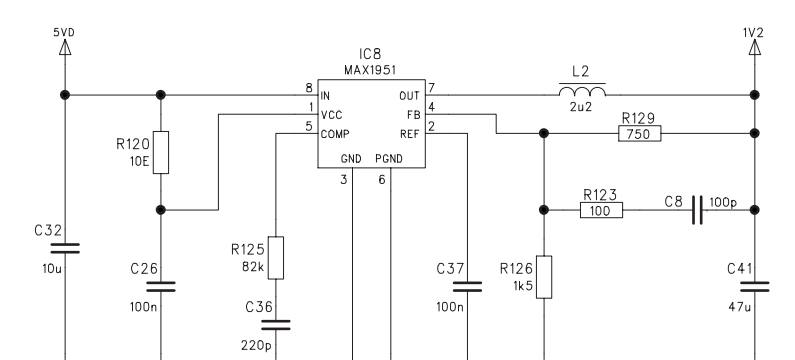
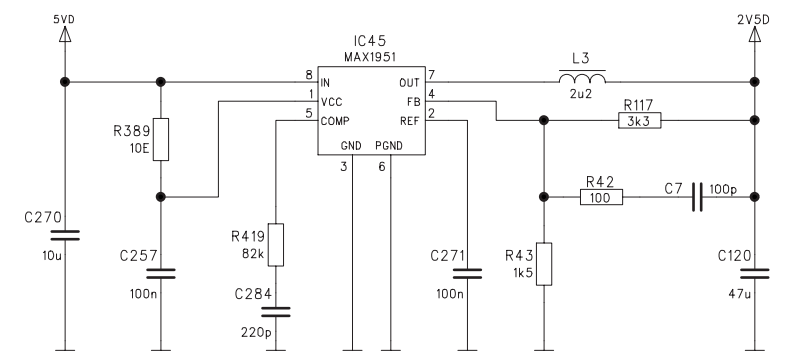
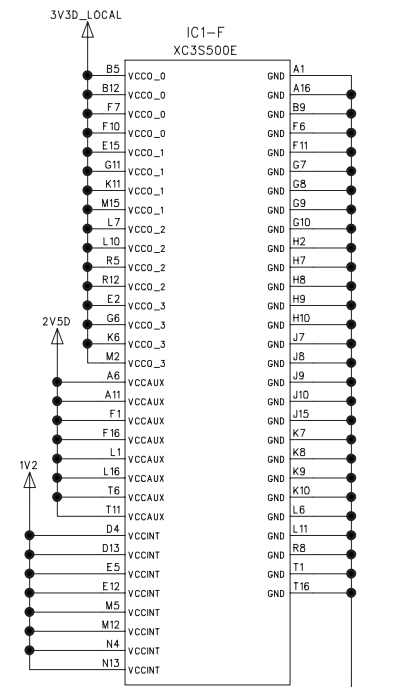
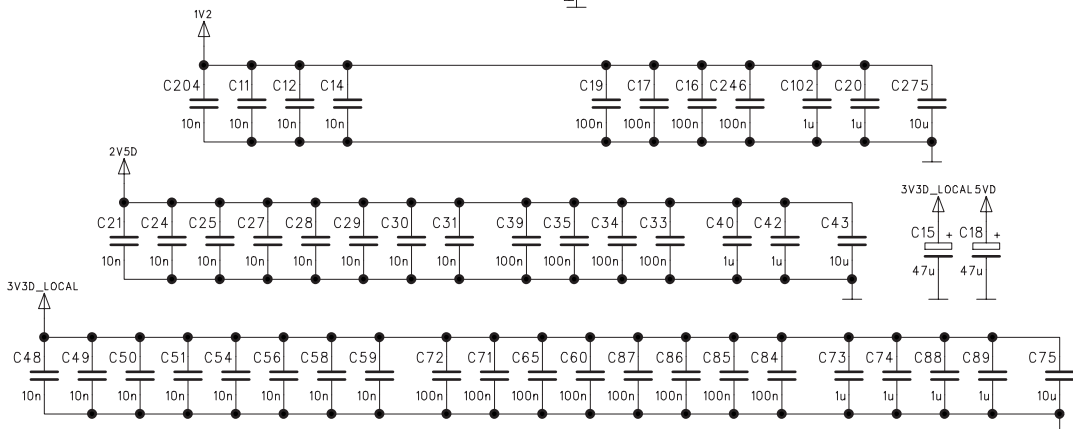
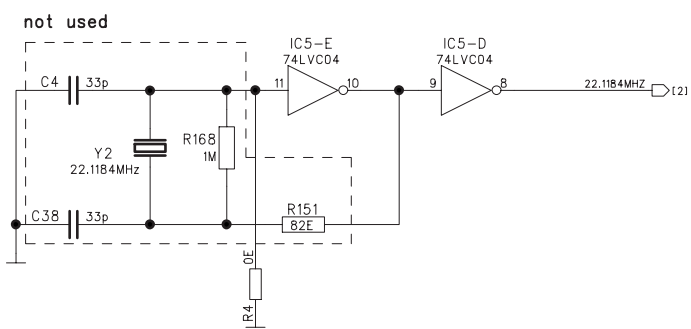
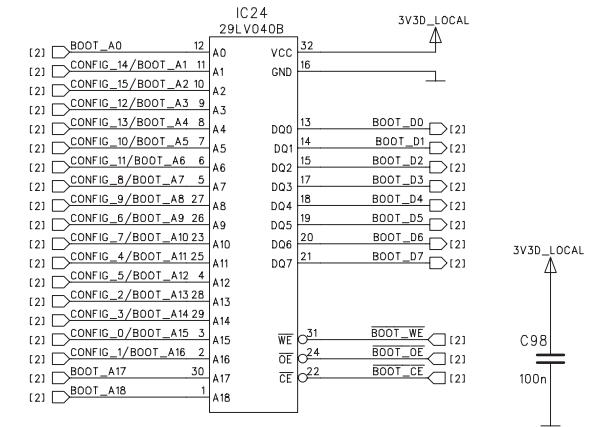
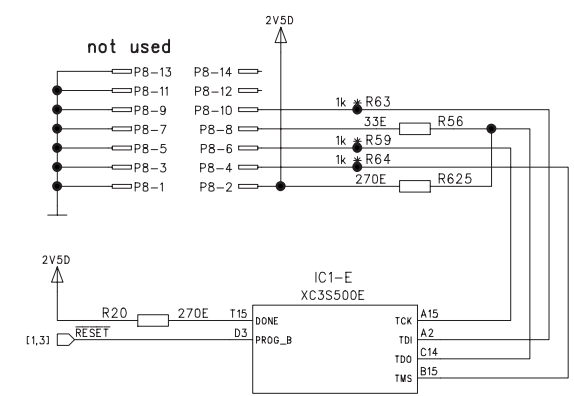
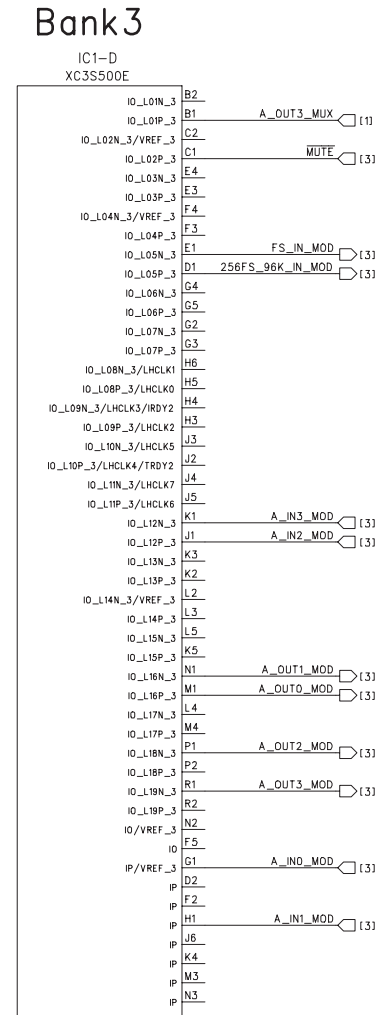
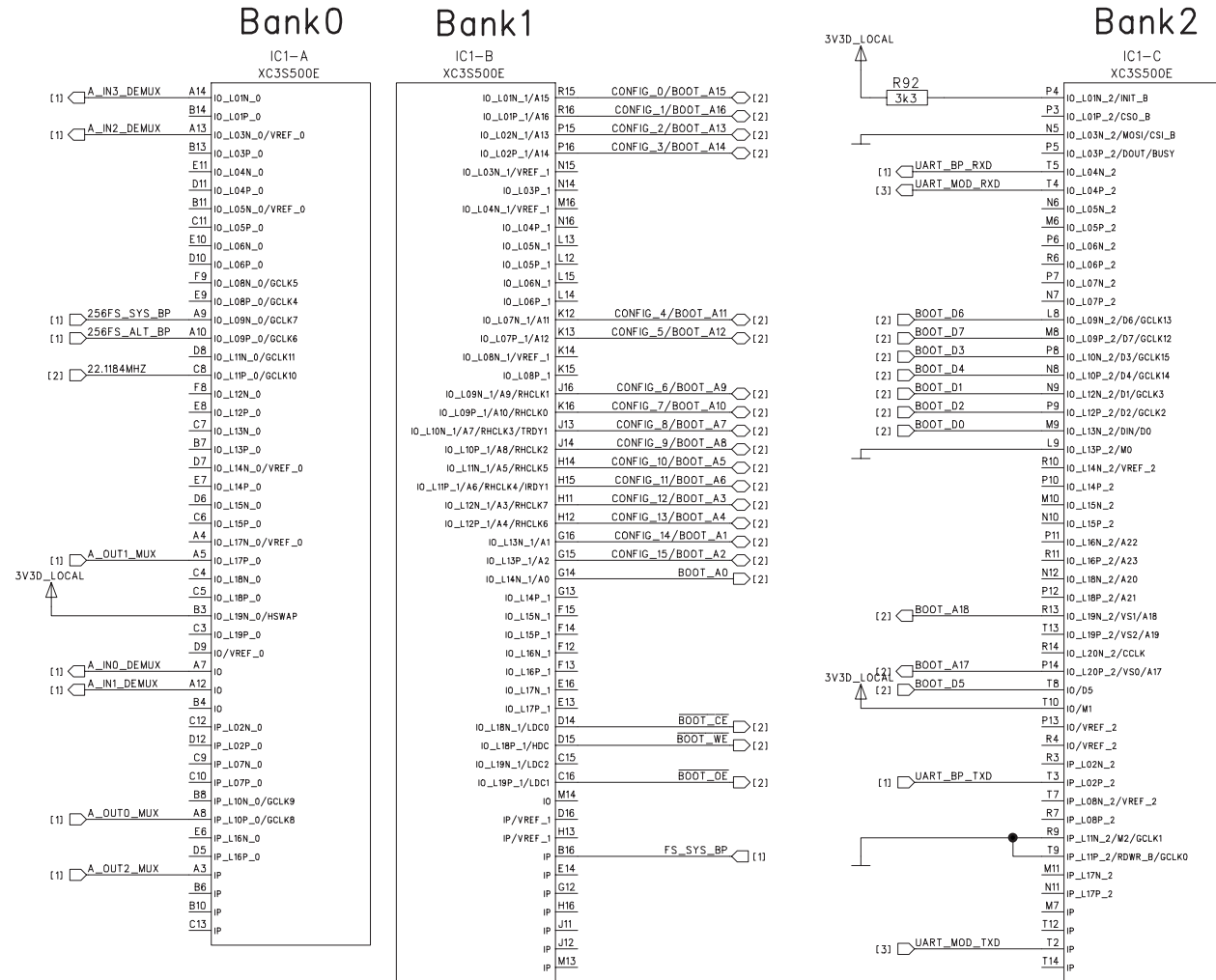
Idx. Pos.	Part No.	Qty.	Type/Val.	Description	Idx. Pos.	Part No.	Qty.	Type/Val.	Description
0 R 5	57.69.1097	1 pce	10k	CF 5% 0603	0 R 110	57.69.1097	1 pce	10k	CF 5% 0603
0 R 6	57.69.1097	1 pce	10k	CF 5% 0603	0 R 111	57.60.1121	1 pce	120R	MF, 1%, 0204, E24
0 R 7	57.69.1097	1 pce	10k	CF 5% 0603	0 R 112	57.69.1097	1 pce	10k	CF 5% 0603
0 R 8	57.69.1097	1 pce	10k	CF 5% 0603	0 R 113	57.69.1097	1 pce	10k	CF 5% 0603
0 R 9	57.69.1097	1 pce	10k	CF 5% 0603	0 R 114	57.60.1183	1 pce	18k	MF, 1%, 0204, E24
0 R 10	57.69.1097	1 pce	10k	CF 5% 0603	0 R 115	57.69.1097	1 pce	10k	CF 5% 0603
0 R 11	57.69.1097	1 pce	10k	CF 5% 0603	0 R 116	57.69.1097	1 pce	10k	CF 5% 0603
0 R 12	57.69.1097	1 pce	10k	CF 5% 0603	0 R 117	57.60.1221	1 pce	220R	MF, 1%, 0204, E24
0 R 13	57.69.1097	1 pce	10k	CF 5% 0603	0 R 118	57.69.1097	1 pce	10k	CF 5% 0603
0 R 14	57.69.1097	1 pce	10k	CF 5% 0603	0 R 119	57.69.1097	1 pce	10k	CF 5% 0603
0 R 15	57.69.1097	1 pce	10k	CF 5% 0603	0 R 120	57.69.1097	1 pce	10k	CF 5% 0603
0 R 16	57.69.1097	1 pce	10k	CF 5% 0603	0 R 121	57.69.1097	1 pce	10k	CF 5% 0603
0 R 17	57.69.1097	1 pce	10k	CF 5% 0603	0 R 122	57.69.1097	1 pce	10k	CF 5% 0603
0 R 18	57.69.1097	1 pce	10k	CF 5% 0603	0 R 123	57.69.1097	1 pce	10k	CF 5% 0603
0 R 19	57.69.1097	1 pce	10k	CF 5% 0603	0 R 124	57.69.1097	1 pce	10k	CF 5% 0603
0 R 20	57.69.1097	1 pce	10k	CF 5% 0603	0 R 125	57.69.1037	1 pce	33R	CF 5% 0603
0 R 21	57.69.1097	1 pce	10k	CF 5% 0603	0 R 126	57.69.1037	1 pce	33R	CF 5% 0603
0 R 22	57.69.1097	1 pce	10k	CF 5% 0603	0 R 127	57.69.1037	1 pce	33R	CF 5% 0603
0 R 23	57.69.1097	1 pce	10k	CF 5% 0603	0 R 128	57.69.1037	1 pce	33R	CF 5% 0603
0 R 24	57.69.1097	1 pce	10k	CF 5% 0603	0 R 129	57.69.1097	1 pce	10k	CF 5% 0603
0 R 25	57.69.1097	1 pce	10k	CF 5% 0603	0 R 130	57.69.1097	1 pce	10k	CF 5% 0603
0 R 26	57.69.1097	1 pce	10k	CF 5% 0603	0 R 131	57.60.1100	1 pce	10R	MF, 1%, 0204, E24
0 R 27	57.69.1097	1 pce	10k	CF 5% 0603	0 R 132	57.69.1097	1 pce	10k	CF 5% 0603
0 R 28	57.69.1097	1 pce	10k	CF 5% 0603	0 R 133	57.69.1097	1 pce	10k	CF 5% 0603
0 R 29	57.69.1097	1 pce	10k	CF 5% 0603	0 R 134	57.60.1100	1 pce	10R	MF, 1%, 0204, E24
0 R 30	57.69.1097	1 pce	10k	CF 5% 0603	0 R 135	57.60.1472	1 pce	4k7	MF, 1%, 0204, E24
0 R 31	57.69.1097	1 pce	10k	CF 5% 0603	0 R 136	57.60.1331	1 pce	330R	MF, 1%, 0204, E24
0 R 32	57.69.1097	1 pce	10k	CF 5% 0603	0 R 137	57.69.1097	1 pce	10k	CF 5% 0603
0 R 33	57.69.1097	1 pce	10k	CF 5% 0603	0 R 138	57.69.1097	1 pce	10k	CF 5% 0603
0 R 34	57.69.1097	1 pce	10k	CF 5% 0603	0 R 139	57.69.1097	1 pce	10k	CF 5% 0603
0 R 35	57.69.1097	1 pce	10k	CF 5% 0603	0 R 140	57.69.1097	1 pce	10k	CF 5% 0603
0 R 36	57.69.1097	1 pce	10k	CF 5% 0603	0 R 141	57.69.1097	1 pce	10k	CF 5% 0603
0 R 37	57.69.1097	1 pce	10k	CF 5% 0603	0 R 142	57.69.1073	1 pce	1k0	CF 5% 0603
0 R 38	57.69.1097	1 pce	10k	CF 5% 0603	0 R 143	57.69.1097	1 pce	10k	CF 5% 0603
0 R 39	57.69.1097	1 pce	10k	CF 5% 0603	0 R 144	57.69.1073	1 pce	1k0	CF 5% 0603
0 R 40	57.69.1097	1 pce	10k	CF 5% 0603	0 R 145	57.60.1823	1 pce	82k	MF, 1%, 0204, E24
0 R 41	57.69.1097	1 pce	10k	CF 5% 0603	0 R 146	57.60.1823	1 pce	82k	MF, 1%, 0204, E24
0 R 42	57.69.1097	1 pce	10k	CF 5% 0603	0 R 147	57.60.1121	1 pce	120R	MF, 1%, 0204, E24
0 R 43	57.69.1097	1 pce	10k	CF 5% 0603	0 R 148	57.69.1097	1 pce	10k	CF 5% 0603
0 R 44	57.69.1097	1 pce	10k	CF 5% 0603	0 R 149	57.69.1097	1 pce	10k	CF 5% 0603
0 R 45	57.69.1097	1 pce	10k	CF 5% 0603	0 R 150	57.69.1097	1 pce	10k	CF 5% 0603
0 R 46	57.69.1097	1 pce	10k	CF 5% 0603	0 R 151	57.69.1073	1 pce	1k0	CF 5% 0603
0 R 47	57.69.1097	1 pce	10k	CF 5% 0603	0 R 152	57.69.1097	1 pce	10k	CF 5% 0603
0 R 48	57.69.1097	1 pce	10k	CF 5% 0603	0 R 153	57.69.1073	1 pce	1k0	CF 5% 0603
0 R 49	57.69.1097	1 pce	10k	CF 5% 0603	0 R 154	57.69.1097	1 pce	10k	CF 5% 0603
0 R 50	57.69.1097	1 pce	10k	CF 5% 0603	0 R 155	57.69.1097	1 pce	10k	CF 5% 0603
0 R 51	57.69.1097	1 pce	10k	CF 5% 0603	0 R 156	57.69.1025	1 pce	10R	CF 5% 0603
0 R 52	57.69.1097	1 pce	10k	CF 5% 0603	0 R 157	57.69.1025	1 pce	10R	CF 5% 0603
0 R 53	57.69.1097	1 pce	10k	CF 5% 0603	0 R 158	57.60.1105	1 pce	1M0	MF, 1%, 0204, E24
0 R 54	57.69.1097	1 pce	10k	CF 5% 0603	0 R 159	57.69.1097	1 pce	10k	CF 5% 0603
0 R 55	57.69.1025	1 pce	10R	CF 5% 0603	0 R 160	57.60.1183	1 pce	18k	MF, 1%, 0204, E24
0 R 56	57.69.1097	1 pce	10k	CF 5% 0603	0 R 161	57.69.1097	1 pce	10k	CF 5% 0603
0 R 57	57.69.1085	1 pce	3k3	CF 5% 0603	0 R 162	57.60.1183	1 pce	18k	MF, 1%, 0204, E24
0 R 58	57.69.1085	1 pce	3k3	CF 5% 0603	0 R 163	57.69.1097	1 pce	10k	CF 5% 0603
0 R 59	57.69.1097	1 pce	10k	CF 5% 0603	0 R 164	57.69.1073	1 pce	1k0	CF 5% 0603
0 R 60	57.69.1037	1 pce	33R	CF 5% 0603	0 R 165	57.69.1097	1 pce	10k	CF 5% 0603
0 R 62	57.60.1121	1 pce	120R	MF, 1%, 0204, E24	0 R 166	57.69.1073	1 pce	1k0	CF 5% 0603
0 R 63	57.69.1097	1 pce	10k	CF 5% 0603	0 R 167	57.69.1097	1 pce	10k	CF 5% 0603
0 R 64	not used	1 pce	3k3	CF 5% 0603	0 R 168	57.69.1097	1 pce	10k	CF 5% 0603
0 R 65	57.69.1097	1 pce	10k	CF 5% 0603	0 R 169	57.60.1152	1 pce	1k5	MF, 1%, 0204, E24
0 R 66	57.69.1097	1 pce	10k	CF 5% 0603	0 R 170	57.60.1101	1 pce	100R	MF, 1%, 0204, E24
0 R 67	57.60.1100	1 pce	10R	MF, 1%, 0204, E24	0 R 171	57.60.1332	1 pce	3k3	MF, 1%, 0204, E24
0 R 68	57.69.1037	1 pce	33R	CF 5% 0603	0 R 172	57.60.1152	1 pce	1k5	MF, 1%, 0204, E24
0 R 69	57.69.1047	1 pce	82R	CF 5% 0603	0 R 173	57.60.1101	1 pce	100R	MF, 1%, 0204, E24
0 R 70	57.60.1472	1 pce	4k7	MF, 1%, 0204, E24	0 R 174	57.60.1751	1 pce	750R	MF, 1%, 0204, E24
0 R 72	57.69.1085	1 pce	3k3	CF 5% 0603	0 R 175	57.69.1073	1 pce	1k0	CF 5% 0603
0 R 73	57.60.1471	1 pce	470R	MF, 1%, 0204, E24	0 R 176	57.69.1073	1 pce	1k0	CF 5% 0603
0 R 74	57.60.1221	1 pce	220R	MF, 1%, 0204, E24	0 R 177	57.69.1073	1 pce	1k0	CF 5% 0603
0 R 75	57.69.1097	1 pce	10k	CF 5% 0603	0 R 178	57.60.1221	1 pce	220R	MF, 1%, 0204, E24
0 R 76	57.69.1097	1 pce	10k	CF 5% 0603	0 R 179	57.69.1097	1 pce	10k	CF 5% 0603
0 R 77	57.60.1102	1 pce	1k0	MF, 1%, 0204, E24	0 R 180	57.69.1097	1 pce	10k	CF 5% 0603
0 R 78	57.69.1037	1 pce	33R	CF 5% 0603	0 R 181	57.69.1097	1 pce	10k	CF 5% 0603
0 R 79	57.69.1097	1 pce	10k	CF 5% 0603	0 R 182	57.69.1097	1 pce	10k	CF 5% 0603
0 R 80	57.69.1097	1 pce	10k	CF 5% 0603	0 R 183	57.69.1097	1 pce	10k	CF 5% 0603
0 R 81	57.69.1097	1 pce	10k	CF 5% 0603	0 R 184	57.69.1097	1 pce	10k	CF 5% 0603
0 R 82	57.60.1302	1 pce	3k0	MF, 1%, 0204, E24	0 R 185	57.69.1097	1 pce	10k	CF 5% 0603
0 R 83	57.69.1047	1 pce	82R	CF 5% 0603	0 R 186	57.69.1097	1 pce	10k	CF 5% 0603
0 R 84	57.69.1097	1 pce	10k	CF 5% 0603	0 R 187	57.69.1097	1 pce	10k	CF 5% 0603
0 R 85	57.60.1183	1 pce	18k	MF, 1%, 0204, E24	0 R 188	57.69.1037	1 pce	33R	CF 5% 0603
0 R 86	57.69.1097	1 pce	10k	CF 5% 0603	0 R 189	57.69.1037	1 pce	33R	CF 5% 0603
0 R 87	57.60.1121	1 pce	120R	MF, 1%, 0204, E24	0 R 190	57.69.1037	1 pce	33R	CF 5% 0603
0 R 88	57.60.1221	1 pce	220R	MF, 1%, 0204, E24	0 R 191	57.69.1037	1 pce	33R	CF 5% 0603
0 R 89	57.69.1097	1 pce	10k	CF 5% 0603	0 R 192	57.69.1037	1 pce	33R	CF 5% 0603
0 R 90	57.69.1097	1 pce	10k	CF 5% 0603	0 R 193	57.69.1037	1 pce	33R	CF 5% 0603
0 R 91	57.69.1097	1 pce	10k	CF 5% 0603	0 S 1	55.60.0108	1 pce	8p	SMD DIL-Switch
0 R 92	57.69.1121	1 pce	100k	CF 5% 0603	0 S 2	55.60.0108	1 pce	8p	SMD DIL-Switch
0 R 93	57.69.1121	1 pce	100k	CF 5% 0603	0 W 1	1.023.388.31	1 pce		FLACHKABEL 10 POL. 0,05M
0 R 94	57.60.1681	1 pce	680R	MF, 1%, 0204, E24	0 XIC 20	53.60.0232	1 pce	32p	PLCC, SMD
0 R 95	57.69.1097	1 pce	10k	CF 5% 0603					
0 R 96	57.69.1097	1 pce	10k	CF 5% 0603					
0 R 97	57.60.1102	1 pce	1k0	MF, 1%, 0204, E24					
0 R 98	57.69.1097	1 pce	10k	CF 5% 0603					
0 R 99	57.69.1097	1 pce	10k	CF 5% 0603					
0 R 100	57.69.1097	1 pce	10k	CF 5% 0603					
0 R 101	57.60.1100	1 pce	10R	MF, 1%, 0204, E24					
0 R 102	57.60.1221	1 pce	220R	MF, 1%, 0204, E24					
0 R 103	57.69.1097	1 pce	10k	CF 5% 0603					
0 R 104	57.69.1097	1 pce	10k	CF 5% 0603					
0 R 105	57.69.1073	1 pce	1k0	CF 5% 0603					
0 R 106	57.69.1047	1 pce	82R	CF 5% 0603					
0 R 107	57.69.1097	1 pce	10k	CF 5% 0603					
0 R 108	57.69.1097	1 pce	10k	CF 5% 0603					
0 R 109	57.69.1073	1 pce	1k0	CF 5% 0603					

End of List

Comments:

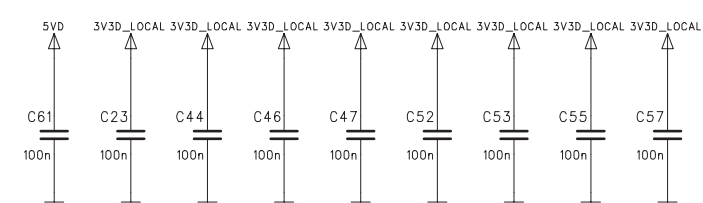
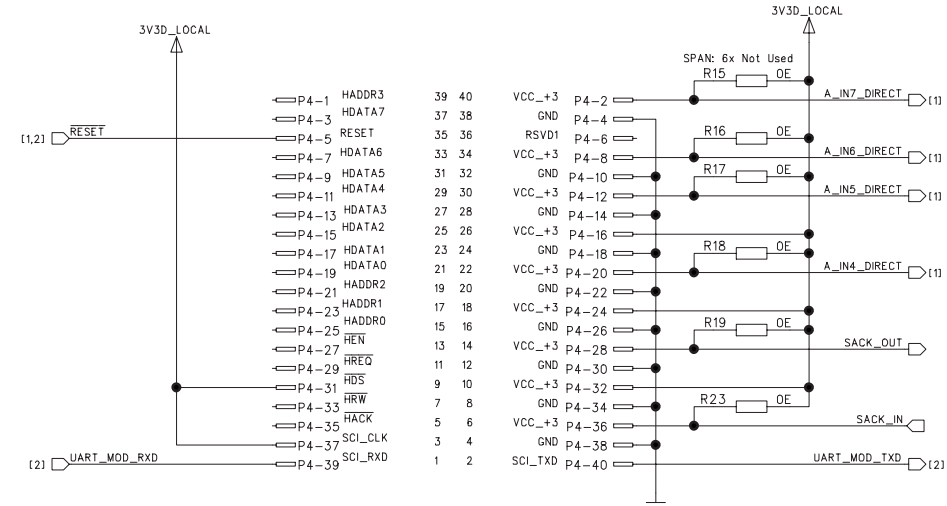
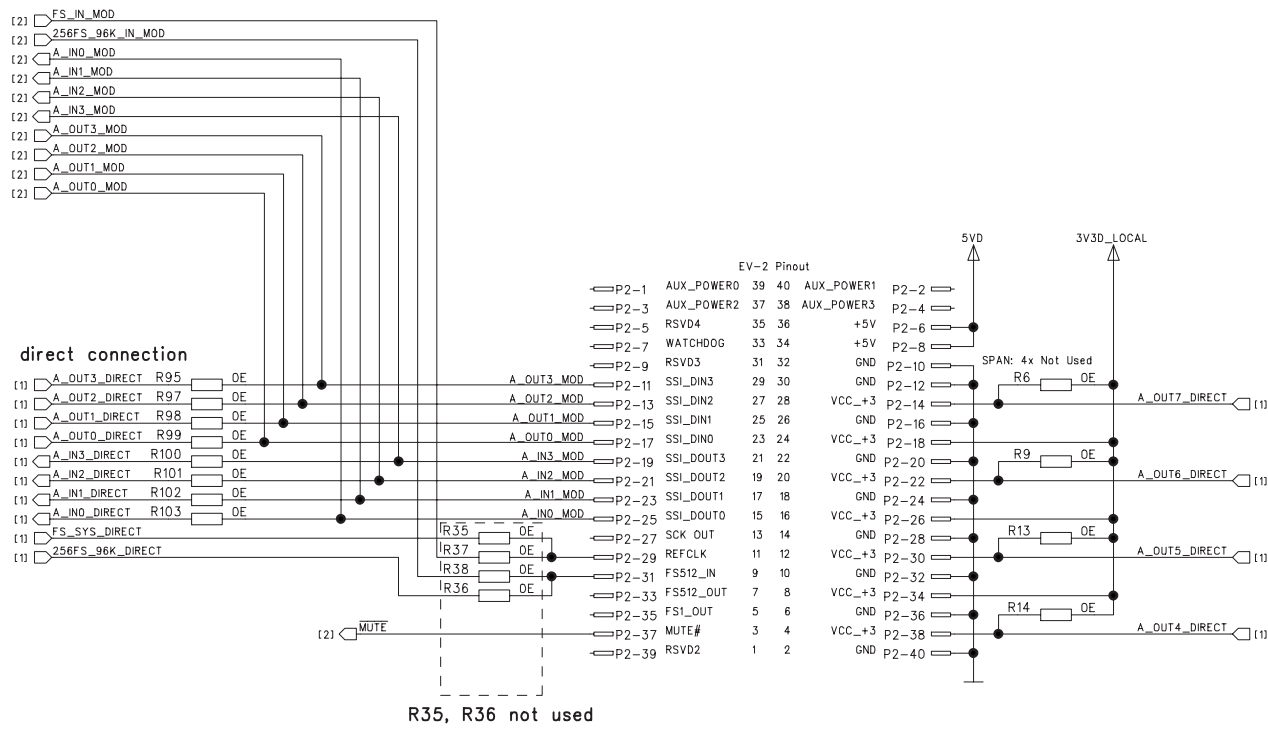
[71] MP1:1.949.444.13 -> 1.949.444.14; L7 added:10 uH;





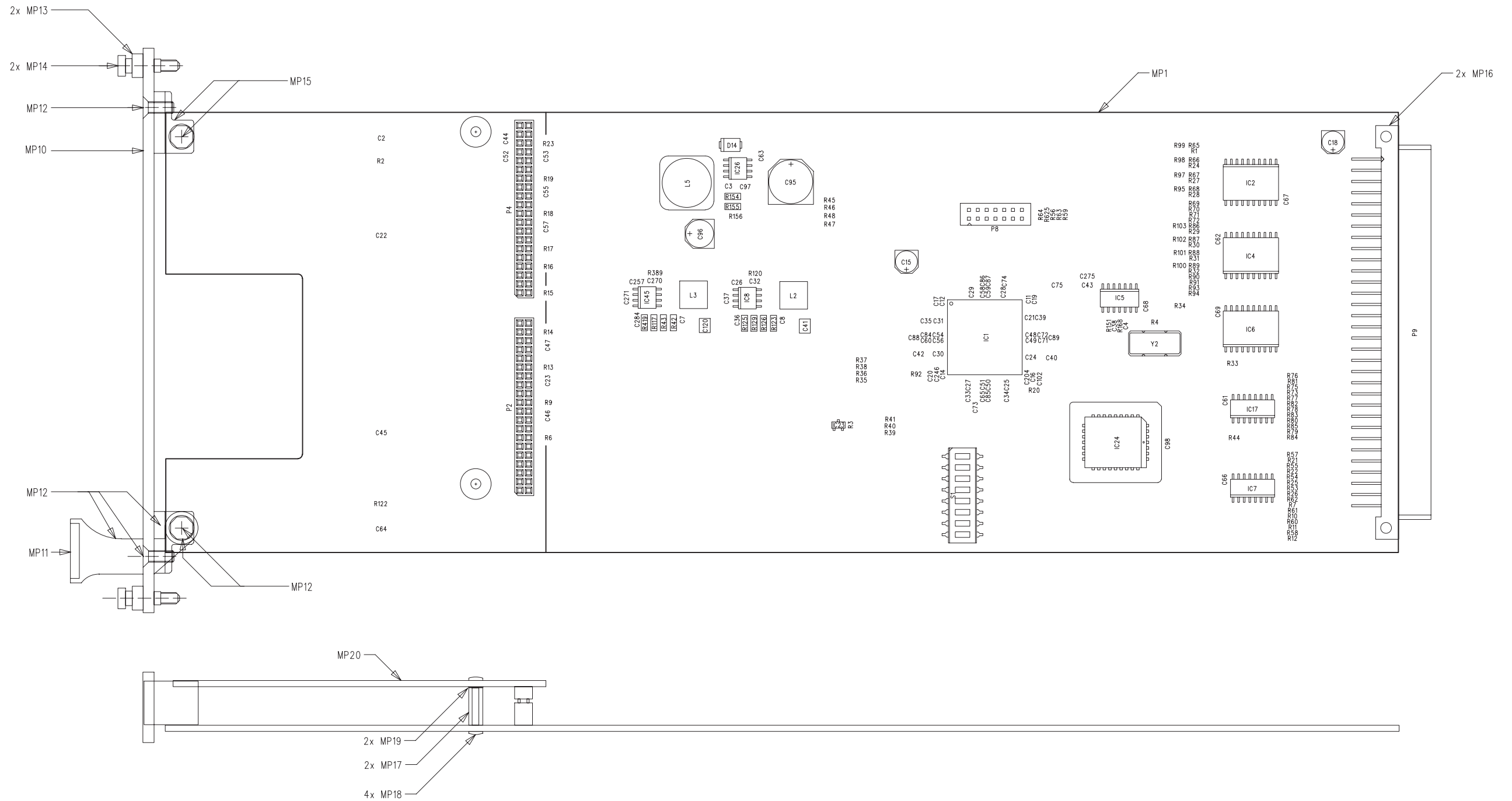
30.01.2007	AK		
Date	Author	Checked	Drawn
Issue	0	Page	2 / 3
Subst		Date	1.949.445.20

to XILINX



30.01.2007	AK		
0	3 / 3		

CobraNet® I/O Card 1.949.445.20 (1)



30.01.2007	LA	HM	GP
0	1	1	1

CobraNet I/O Card 1.949.445.20 (1)

Idx. Pos.	Part No.	Qty.	Type/Val.	Description	Idx. Pos.	Part No.	Qty.	Type/Val.	Description
0 C 2	59.60.3337	1 pce	100n	CER 50V, 10%, X7R, 0805	0 L 5	62.60.0518	1 pce	47uH	SMD 2.5A
0 C 3	59.60.2257	1 pce	220p	CER 50V, 5%, COG, 0603	0 MP 1	1.949.445.12	1 pce		D21m CobraNet PCB
0 C 4	not used	1 pce	33p	CER 50V, 5%, COG, 0603	0 MP 2	1.949.445.10	1 pce		Nr. ETIKETTE 5x20
0 C 7	59.60.2249	1 pce	100p	CER 50V, 5%, COG, 0603	0 MP 3	43.01.0108	1 pce	Label	ESE-Warnschild
0 C 8	59.60.2249	1 pce	100p	CER 50V, 5%, COG, 0603	0 MP 10	1.949.445.01	1 pce		FRONTPLATTE CobraNet
0 C 11	59.60.3901	1 pce	10n	CER 16V, 0402	0 MP 11	1.940.600.05	1 pce		GRIFFEINLAGE 4TE
0 C 12	59.60.3901	1 pce	10n	CER 16V, 0402	0 MP 12	49.02.0514	1 pce	4TE	Frontplatten-Griiffsatz
0 C 14	59.60.3901	1 pce	10n	CER 16V, 0402	0 MP 13	49.02.0521	2 pcs		Metall-Buchse (Rack)
0 C 15	59.68.0027	1 pce	47u	EL 6V, 5.0*5.7	0 MP 14	49.02.0524	2 pcs	M2.5*12	Schraube spezial
0 C 16	59.60.3902	1 pce	100n	CER 6.3V, 0402	0 MP 15	49.02.0522	1 pce		Kartenhalter mit Z-Schr
0 C 17	59.60.3902	1 pce	100n	CER 6.3V, 0402	0 MP 16	28.99.0119	2 pcs		ROHRNIETE D 2.5*0.15* 9
0 C 18	59.68.0027	1 pce	47u	EL 6V, 5.0*5.7	0 MP 17	1.010.022.27	2 pcs	M3*12	Mutter-Boizen 6kt Ms Ni
0 C 19	59.60.3902	1 pce	100n	CER 6.3V, 0402	0 MP 18	21.53.8706	4 pcs	M3*6	Lin-Schr IS, Zn bl, Tufflock
0 C 20	59.60.3903	1 pce	1u0	CER 6.3V, 0603	0 MP 19	23.01.1032	2 pcs	M3	U-Scheibe 3.2/6.0*0.5 St bl
0 C 21	59.60.3901	1 pce	10n	CER 16V, 0402	0 MP 20	89.20.1202	1 pce	CobraNet	Module CM-1 top connector
0 C 22	59.60.3337	1 pce	100n	CER 50V, 10%, X7R, 0805	0 P 2	54.60.0501	1 pce	2*20p	2.0mm Socket SMD
0 C 23	59.60.3337	1 pce	100n	CER 50V, 10%, X7R, 0805	0 P 4	54.60.0501	1 pce	2*20p	2.0mm Socket SMD
0 C 24	59.60.3901	1 pce	10n	CER 16V, 0402	0 P 8	not used	1 pce		
0 C 25	59.60.3901	1 pce	10n	CER 16V, 0402	0 P 9	54.11.2009	1 pce	96p	EU-R 3*32p female
0 C 26	59.60.3902	1 pce	100n	CER 6.3V, 0402	0 R 1	not used	1 pce	0R0	CF 5% 0603
0 C 27	59.60.3901	1 pce	10n	CER 16V, 0402	0 R 2	57.69.1145	1 pce	1M0	CF 5% 0603
0 C 28	59.60.3901	1 pce	10n	CER 16V, 0402	0 R 3	57.69.1085	1 pce	3k3	CF 5% 0603
0 C 29	59.60.3901	1 pce	10n	CER 16V, 0402	0 R 4	57.69.1000	1 pce	0R0	CF 5% 0603
0 C 30	59.60.3901	1 pce	10n	CER 16V, 0402	0 R 6	57.69.1000	1 pce	0R0	CF 5% 0603
0 C 31	59.60.3901	1 pce	10n	CER 16V, 0402	0 R 7	not used	1 pce	0R0	CF 5% 0603
0 C 32	59.60.3904	1 pce	10u	CER 6.3V, 0805	0 R 9	57.69.1000	1 pce	0R0	CF 5% 0603
0 C 33	59.60.3902	1 pce	100n	CER 6.3V, 0402	0 R 10	not used	1 pce	0R0	CF 5% 0603
0 C 34	59.60.3902	1 pce	100n	CER 6.3V, 0402	0 R 11	not used	1 pce	0R0	CF 5% 0603
0 C 35	59.60.3902	1 pce	100n	CER 6.3V, 0402	0 R 12	not used	1 pce	0R0	CF 5% 0603
0 C 36	59.60.2257	1 pce	220p	CER 50V, 5%, COG, 0603	0 R 13	57.69.1000	1 pce	0R0	CF 5% 0603
0 C 37	59.60.3902	1 pce	100n	CER 6.3V, 0402	0 R 14	57.69.1000	1 pce	0R0	CF 5% 0603
0 C 38	not used	1 pce	33p	CER 50V, 5%, COG, 0603	0 R 15	57.69.1000	1 pce	0R0	CF 5% 0603
0 C 39	59.60.3902	1 pce	100n	CER 6.3V, 0402	0 R 16	57.69.1000	1 pce	0R0	CF 5% 0603
0 C 40	59.60.3903	1 pce	1u0	CER 6.3V, 0603	0 R 17	57.69.1000	1 pce	0R0	CF 5% 0603
0 C 41	59.60.3906	1 pce	47u	CER 6.3V, 1210	0 R 18	57.69.1000	1 pce	0R0	CF 5% 0603
0 C 42	59.60.3903	1 pce	1u0	CER 6.3V, 0603	0 R 19	57.69.1000	1 pce	0R0	CF 5% 0603
0 C 43	59.60.3904	1 pce	10u	CER 6.3V, 0805	0 R 20	57.69.1059	1 pce	270R	CF 5% 0603
0 C 44	59.60.3337	1 pce	100n	CER 50V, 10%, X7R, 0805	0 R 21	not used	1 pce	0R0	CF 5% 0603
0 C 45	59.60.3337	1 pce	100n	CER 50V, 10%, X7R, 0805	0 R 22	not used	1 pce	0R0	CF 5% 0603
0 C 46	59.60.3337	1 pce	100n	CER 50V, 10%, X7R, 0805	0 R 23	57.69.1000	1 pce	0R0	CF 5% 0603
0 C 47	59.60.3337	1 pce	100n	CER 50V, 10%, X7R, 0805	0 R 24	not used	1 pce	0R0	CF 5% 0603
0 C 48	59.60.3901	1 pce	10n	CER 16V, 0402	0 R 25	not used	1 pce	0R0	CF 5% 0603
0 C 49	59.60.3901	1 pce	10n	CER 16V, 0402	0 R 26	not used	1 pce	0R0	CF 5% 0603
0 C 50	59.60.3901	1 pce	10n	CER 16V, 0402	0 R 27	not used	1 pce	0R0	CF 5% 0603
0 C 51	59.60.3901	1 pce	10n	CER 16V, 0402	0 R 28	not used	1 pce	0R0	CF 5% 0603
0 C 52	59.60.3337	1 pce	100n	CER 50V, 10%, X7R, 0805	0 R 29	not used	1 pce	0R0	CF 5% 0603
0 C 53	59.60.3337	1 pce	100n	CER 50V, 10%, X7R, 0805	0 R 30	not used	1 pce	0R0	CF 5% 0603
0 C 54	59.60.3901	1 pce	10n	CER 16V, 0402	0 R 31	not used	1 pce	0R0	CF 5% 0603
0 C 55	59.60.3337	1 pce	100n	CER 50V, 10%, X7R, 0805	0 R 32	not used	1 pce	0R0	CF 5% 0603
0 C 56	59.60.3901	1 pce	10n	CER 16V, 0402	0 R 33	not used	1 pce	33R	CF 5% 0603
0 C 57	59.60.3337	1 pce	100n	CER 50V, 10%, X7R, 0805	0 R 34	not used	1 pce	0R0	CF 5% 0603
0 C 58	59.60.3901	1 pce	10n	CER 16V, 0402	0 R 35	not used	1 pce	0R0	CF 5% 0603
0 C 59	59.60.3901	1 pce	10n	CER 16V, 0402	0 R 36	not used	1 pce	0R0	CF 5% 0603
0 C 60	59.60.3902	1 pce	100n	CER 6.3V, 0402	0 R 37	57.69.1000	1 pce	0R0	CF 5% 0603
0 C 61	59.60.3337	1 pce	100n	CER 50V, 10%, X7R, 0805	0 R 38	57.69.1000	1 pce	0R0	CF 5% 0603
0 C 62	59.60.3337	1 pce	100n	CER 50V, 10%, X7R, 0805	0 R 39	57.69.1085	1 pce	3k3	CF 5% 0603
0 C 63	59.60.3337	1 pce	100n	CER 50V, 10%, X7R, 0805	0 R 40	57.69.1085	1 pce	3k3	CF 5% 0603
0 C 64	59.60.3337	1 pce	100n	CER 50V, 10%, X7R, 0805	0 R 41	57.69.1085	1 pce	3k3	CF 5% 0603
0 C 65	59.60.3902	1 pce	100n	CER 6.3V, 0402	0 R 42	57.60.1101	1 pce	100R	MF, 1%, 0204, E24
0 C 66	59.60.3337	1 pce	100n	CER 50V, 10%, X7R, 0805	0 R 43	57.60.1152	1 pce	1k5	MF, 1%, 0204, E24
0 C 67	59.60.3337	1 pce	100n	CER 50V, 10%, X7R, 0805	0 R 44	57.69.1037	1 pce	33R	CF 5% 0603
0 C 68	59.60.3337	1 pce	100n	CER 50V, 10%, X7R, 0805	0 R 45	not used	1 pce	0R0	CF 5% 0603
0 C 69	not used	1 pce	100n	CER 50V, 10%, X7R, 0805	0 R 46	not used	1 pce	0R0	CF 5% 0603
0 C 71	59.60.3902	1 pce	100n	CER 6.3V, 0402	0 R 47	not used	1 pce	0R0	CF 5% 0603
0 C 72	59.60.3902	1 pce	100n	CER 6.3V, 0402	0 R 48	not used	1 pce	0R0	CF 5% 0603
0 C 73	59.60.3903	1 pce	1u0	CER 6.3V, 0603	0 R 53	57.69.1097	1 pce	10k	CF 5% 0603
0 C 74	59.60.3903	1 pce	1u0	CER 6.3V, 0603	0 R 54	57.69.1097	1 pce	10k	CF 5% 0603
0 C 75	59.60.3904	1 pce	10u	CER 6.3V, 0805	0 R 55	57.69.1097	1 pce	10k	CF 5% 0603
0 C 84	59.60.3902	1 pce	100n	CER 6.3V, 0402	0 R 56	57.69.1037	1 pce	33R	CF 5% 0603
0 C 85	59.60.3902	1 pce	100n	CER 6.3V, 0402	0 R 57	57.69.1097	1 pce	10k	CF 5% 0603
0 C 86	59.60.3902	1 pce	100n	CER 6.3V, 0402	0 R 58	57.69.1097	1 pce	10k	CF 5% 0603
0 C 87	59.60.3902	1 pce	100n	CER 6.3V, 0402	0 R 59	57.69.1073	1 pce	1k0	CF 5% 0603
0 C 88	59.60.3903	1 pce	1u0	CER 6.3V, 0603	0 R 60	57.69.1097	1 pce	10k	CF 5% 0603
0 C 89	59.60.3903	1 pce	1u0	CER 6.3V, 0603	0 R 61	57.69.1097	1 pce	10k	CF 5% 0603
0 C 95	59.68.0317	1 pce	220u	EL 35V, 10 *10.7 lowESR	0 R 62	57.69.1097	1 pce	10k	CF 5% 0603
0 C 96	59.68.0029	1 pce	100u	EL 6V, 6.3*5.7	0 R 63	57.69.1073	1 pce	1k0	CF 5% 0603
0 C 97	59.60.3329	1 pce	22n	CER 50V, 10%, X7R, 0805	0 R 64	57.69.1073	1 pce	1k0	CF 5% 0603
0 C 98	59.60.3337	1 pce	100n	CER 50V, 10%, X7R, 0805	0 R 65	not used	1 pce	0R0	CF 5% 0603
0 C 102	59.60.3903	1 pce	1u0	CER 6.3V, 0603	0 R 66	not used	1 pce	0R0	CF 5% 0603
0 C 120	59.60.3906	1 pce	47u	CER 6.3V, 1210	0 R 67	not used	1 pce	0R0	CF 5% 0603
0 C 204	59.60.3901	1 pce	10n	CER 16V, 0402	0 R 68	not used	1 pce	0R0	CF 5% 0603
0 C 246	59.60.3902	1 pce	100n	CER 6.3V, 0402	0 R 69	not used	1 pce	0R0	CF 5% 0603
0 C 257	59.60.3902	1 pce	100n	CER 6.3V, 0402	0 R 70	not used	1 pce	0R0	CF 5% 0603
0 C 270	59.60.3904	1 pce	10u	CER 6.3V, 0805	0 R 71	not used	1 pce	0R0	CF 5% 0603
0 C 271	59.60.3902	1 pce	100n	CER 6.3V, 0402	0 R 72	not used	1 pce	0R0	CF 5% 0603
0 C 275	59.60.3904	1 pce	10u	CER 6.3V, 0805	0 R 73	not used	1 pce	0R0	CF 5% 0603
0 C 284	59.60.2257	1 pce	220p	CER 50V, 5%, COG, 0603	0 R 75	57.69.1097	1 pce	10k	CF 5% 0603
0 D 14	50.60.8103	1 pce	SS14	1A 40V Schottky	0 R 76	57.69.1097	1 pce	10k	CF 5% 0603
0 IC 1	50.63.4006	1 pce	XLXC35500E	FPGA SPARTAN 3-500 E	0 R 77	57.69.1097	1 pce	10k	CF 5% 0603
0 IC 2	50.65.0244	1 pce	74LVC244	Octal buffer/line driver 3.3V	0 R 78	57.69.1097	1 pce	10k	CF 5% 0603
0 IC 4	50.65.0244	1 pce	74LVC244	Octal buffer/line driver 3.3V	0 R 79	57.69.1097	1 pce	10k	CF 5% 0603
0 IC 5	50.65.0004	1 pce	74LVC04	Hex Inverter 3.3V	0 R 80	57.69.1097	1 pce	10k	CF 5% 0603
0 IC 6	not used	1 pce	74LVC244	Octal buffer/line driver 3.3V	0 R 81	57.69.1000	1 pce	0R0	CF 5% 0603
0 IC 7	50.62.3165	1 pce	74HCT165	8bit parallel in/serial out	0 R 82	57.69.1000	1 pce	0R0	CF 5% 0603
0 IC 8	50.61.2007	1 pce	MAX1951	Step down switching regulator	0 R 83	not used	1 pce	0R0	CF 5% 0603
0 IC 17	50.62.3165	1 pce	74HCT165	8bit parallel in/serial out	0 R 84	not used	1 pce	0R0	CF 5% 0603
0 IC 23	50.63.2002	1 pce	MAX6358	Dual volt. uP supervisor	0 R 85	57.69.1000	1 pce	0R0	CF 5% 0603
1 IC 24	1.949.973.20	1 pce	M29W040B	SW445 COBRANET (50.63.1305)	0 R 86	not used	1 pce	0R0	CF 5% 0603
0 IC 26	50.61.2006	1 pce	L5970D	Step down switching regulator	0 R 87	not used	1 pce	0R0	CF 5% 0603
0 IC 45	50.61.2007	1 pce	MAX1951	Step down switching regulator	0 R 88	not used	1 pce	0R0	CF 5% 0603
0 L 2	62.60.0145	1 pce	2u2	SMD 2.6A 2525	0 R 89	not used	1 pce	0R0	CF 5% 0603
0 L 3	62.60.0145	1 pce	2u2	SMD 2.6A 2525	0 R 90	not used	1 pce	0R0	CF 5% 0603
					0 R 91	not used	1 pce	0R0	CF 5% 0603

CobraNet I/O Card 1.949.445.20 (1)

Idx. Pos.	Part No.	Qty.	Type/Val.	Description
0 R 92	57.69.1085	1 pce	3k3	CF 5% 0603
0 R 93	not used	1 pce	0R0	CF 5% 0603
0 R 94	not used	1 pce	0R0	CF 5% 0603
0 R 95	57.69.1000	1 pce	0R0	CF 5% 0603
0 R 97	57.69.1000	1 pce	0R0	CF 5% 0603
0 R 98	57.69.1000	1 pce	0R0	CF 5% 0603
0 R 99	57.69.1000	1 pce	0R0	CF 5% 0603
0 R 100	57.69.1000	1 pce	0R0	CF 5% 0603
0 R 101	57.69.1000	1 pce	0R0	CF 5% 0603
0 R 102	57.69.1000	1 pce	0R0	CF 5% 0603
0 R 103	57.69.1000	1 pce	0R0	CF 5% 0603
0 R 117	57.60.1332	1 pce	3k3	MF, 1%, 0204, E24
0 R 120	57.69.1025	1 pce	10R	CF 5% 0603
0 R 122	57.69.1145	1 pce	1M0	CF 5% 0603
0 R 123	57.60.1101	1 pce	100R	MF, 1%, 0204, E24
0 R 125	57.60.1823	1 pce	82k	MF, 1%, 0204, E24
0 R 126	57.60.1152	1 pce	1k5	MF, 1%, 0204, E24
0 R 129	57.60.1751	1 pce	750R	MF, 1%, 0204, E24
0 R 151	not used	1 pce	82R	CF 5% 0603
0 R 154	57.60.1472	1 pce	4k7	MF, 1%, 0204, E24
0 R 155	57.60.1562	1 pce	5k6	MF, 1%, 0204, E24
0 R 156	57.69.1085	1 pce	3k3	CF 5% 0603
0 R 168	not used	1 pce	1M0	CF 5% 0603
0 R 389	57.69.1025	1 pce	10R	CF 5% 0603
0 R 419	57.60.1823	1 pce	82k	MF, 1%, 0204, E24
0 R 625	57.69.1059	1 pce	270R	CF 5% 0603
0 S 1	55.60.0108	1 pce	8p	SMD DIL-Switch
0 XIC 24	53.60.0232	1 pce	32p	PLCC, SMD
0 Y 2	not used	1 pce	22.1184MHz	SMD Quartz

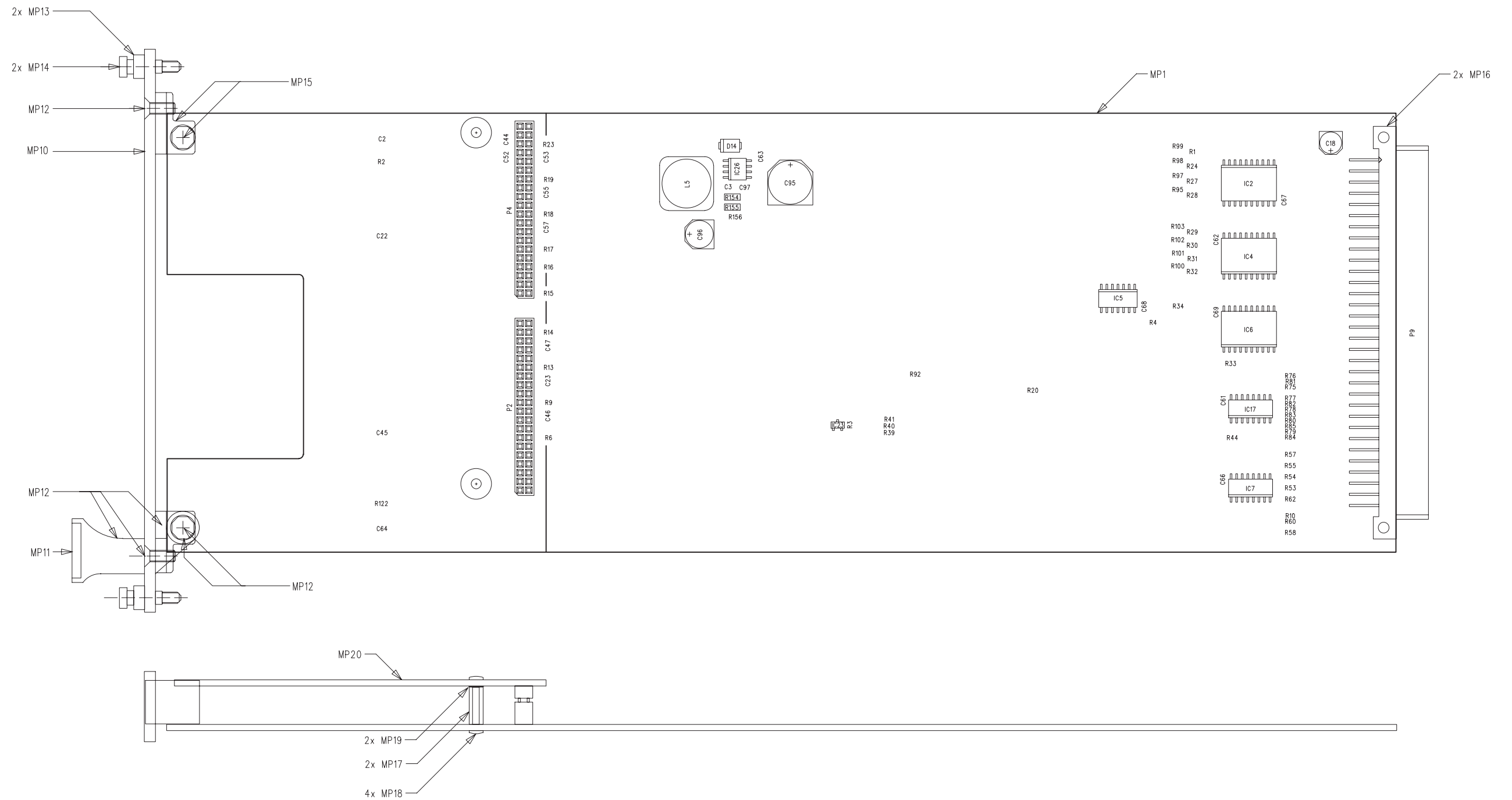
Idx. Pos.	Part No.	Qty.	Type/Val.	Description
-----------	----------	------	-----------	-------------

End of List

Comments:

[20] 30.01.07 LA
 (01) 12.06.07 IC24:50.63.1305 -> 1.949.973.20

Aviom A-Net® Output Card 1.949.446.00 (0)



Aviom A-Net Output Card 1.949.446.00 (0)

Idx. Pos.	Part No.	Qty.	Type/Val.	Description	Idx. Pos.	Part No.	Qty.	Type/Val.	Description
0 C 2	59.60.3337	1 pce	100n	CER 50V, 10%, X7R, 0805	0 L 5	62.60.0518	1 pce	47uH	SMD 2.5A
0 C 3	59.60.2257	1 pce	220p	CER 50V, 5%, COG, 0603	0 MP 1	1.949.445.12	1 pce		D21m CobraNet PCB
0 C 4	not used	1 pce	33p	CER 50V, 5%, COG, 0603	0 MP 2	1.949.446.10	1 pce		Nr. ETIKETTE 5x20
0 C 7	not used	1 pce	100p	CER 50V, 5%, COG, 0603	0 MP 3	43.01.0108	1 pce	Label	ESE-Warnschild
0 C 8	not used	1 pce	100p	CER 50V, 5%, COG, 0603	0 MP 10	1.949.446.01	1 pce		FRONTPLATTE AVIOM
0 C 11	not used	1 pce	10n	CER 16V, 0402	0 MP 11	1.940.600.05	1 pce		GRIFFEINLAGE 4TE
0 C 12	not used	1 pce	10n	CER 16V, 0402	0 MP 12	49.02.0514	1 pce	4TE	Frontplatten-Griiffsatz
0 C 14	not used	1 pce	10n	CER 16V, 0402	0 MP 13	49.02.0521	2 pcs		Metall-Buchse (Rack)
0 C 15	not used	1 pce	47u	EL 6V, 5.0*5.7	0 MP 14	49.02.0524	2 pcs	M2.5*12	Schraube spezial
0 C 16	not used	1 pce	100n	CER 6.3V, 0402	0 MP 15	49.02.0522	1 pce		Kartenhalter mit Z-Schr
0 C 17	not used	1 pce	100n	CER 6.3V, 0402	0 MP 16	28.99.0119	2 pcs		ROHRNIETE D 2.5*0.15* 9
0 C 18	59.68.0027	1 pce	47u	EL 6V, 5.0*5.7	0 MP 17	1.010.022.27	2 pcs	M3*12	Mutter-Boizen 6kt Ms Ni
0 C 19	not used	1 pce	100n	CER 6.3V, 0402	0 MP 18	21.53.8706	4 pcs	M3*6	Lin-Schr IS, Zn bl, Tufflock
0 C 20	not used	1 pce	1u0	CER 6.3V, 0603	0 MP 19	23.01.1032	2 pcs	M3	U-Scheibe 3.2/6.0*0.5 St bl
0 C 21	not used	1 pce	10n	CER 16V, 0402	0 MP 20	89.20.1203	1 pce	A-Net Pro 16	Module top connector
0 C 22	59.60.3337	1 pce	100n	CER 50V, 10%, X7R, 0805	0 P 2	54.60.0501	1 pce	2*20p	2.0mm Socket SMD
0 C 23	59.60.3337	1 pce	100n	CER 50V, 10%, X7R, 0805	0 P 4	54.60.0501	1 pce	2*20p	2.0mm Socket SMD
0 C 24	not used	1 pce	10n	CER 16V, 0402	0 P 8	not used	1 pce		
0 C 25	not used	1 pce	10n	CER 16V, 0402	0 P 9	54.11.2009	1 pce	96p	EU-R 3*32p female
0 C 26	not used	1 pce	100n	CER 6.3V, 0402	0 R 1	57.69.1000	1 pce	0R0	CF 5% 0603
0 C 27	not used	1 pce	10n	CER 16V, 0402	0 R 2	57.69.1145	1 pce	1M0	CF 5% 0603
0 C 28	not used	1 pce	10n	CER 16V, 0402	0 R 3	57.69.1085	1 pce	3k3	CF 5% 0603
0 C 29	not used	1 pce	10n	CER 16V, 0402	0 R 4	57.69.1000	1 pce	0R0	CF 5% 0603
0 C 30	not used	1 pce	10n	CER 16V, 0402	0 R 6	57.69.1000	1 pce	0R0	CF 5% 0603
0 C 31	not used	1 pce	10n	CER 16V, 0402	0 R 7	not used	1 pce	0R0	CF 5% 0603
0 C 32	not used	1 pce	10u	CER 6.3V, 0805	0 R 9	57.69.1000	1 pce	0R0	CF 5% 0603
0 C 33	not used	1 pce	100n	CER 6.3V, 0402	0 R 10	57.69.1000	1 pce	0R0	CF 5% 0603
0 C 34	not used	1 pce	100n	CER 6.3V, 0402	0 R 11	not used	1 pce	0R0	CF 5% 0603
0 C 35	not used	1 pce	100n	CER 6.3V, 0402	0 R 12	not used	1 pce	0R0	CF 5% 0603
0 C 36	not used	1 pce	220p	CER 50V, 5%, COG, 0603	0 R 13	57.69.1000	1 pce	0R0	CF 5% 0603
0 C 37	not used	1 pce	100n	CER 6.3V, 0402	0 R 14	57.69.1000	1 pce	0R0	CF 5% 0603
0 C 38	not used	1 pce	33p	CER 50V, 5%, COG, 0603	0 R 15	57.69.1000	1 pce	0R0	CF 5% 0603
0 C 39	not used	1 pce	100n	CER 6.3V, 0402	0 R 16	57.69.1000	1 pce	0R0	CF 5% 0603
0 C 40	not used	1 pce	1u0	CER 6.3V, 0603	0 R 17	57.69.1000	1 pce	0R0	CF 5% 0603
0 C 41	not used	1 pce	47u	CER 6.3V, 1210	0 R 18	57.69.1000	1 pce	0R0	CF 5% 0603
0 C 42	not used	1 pce	1u0	CER 6.3V, 0603	0 R 19	57.69.1000	1 pce	0R0	CF 5% 0603
0 C 43	not used	1 pce	10u	CER 6.3V, 0805	0 R 20	57.69.1059	1 pce	270R	CF 5% 0603
0 C 44	59.60.3337	1 pce	100n	CER 50V, 10%, X7R, 0805	0 R 21	not used	1 pce	0R0	CF 5% 0603
0 C 45	59.60.3337	1 pce	100n	CER 50V, 10%, X7R, 0805	0 R 22	not used	1 pce	0R0	CF 5% 0603
0 C 46	59.60.3337	1 pce	100n	CER 50V, 10%, X7R, 0805	0 R 23	57.69.1000	1 pce	0R0	CF 5% 0603
0 C 47	59.60.3337	1 pce	100n	CER 50V, 10%, X7R, 0805	0 R 24	57.69.1000	1 pce	0R0	CF 5% 0603
0 C 48	not used	1 pce	10n	CER 16V, 0402	0 R 25	not used	1 pce	0R0	CF 5% 0603
0 C 49	not used	1 pce	10n	CER 16V, 0402	0 R 26	not used	1 pce	0R0	CF 5% 0603
0 C 50	not used	1 pce	10n	CER 16V, 0402	0 R 27	57.69.1000	1 pce	0R0	CF 5% 0603
0 C 51	not used	1 pce	10n	CER 16V, 0402	0 R 28	57.69.1000	1 pce	0R0	CF 5% 0603
0 C 52	59.60.3337	1 pce	100n	CER 50V, 10%, X7R, 0805	0 R 29	57.69.1000	1 pce	0R0	CF 5% 0603
0 C 53	59.60.3337	1 pce	100n	CER 50V, 10%, X7R, 0805	0 R 30	57.69.1000	1 pce	0R0	CF 5% 0603
0 C 54	not used	1 pce	10n	CER 16V, 0402	0 R 31	57.69.1000	1 pce	0R0	CF 5% 0603
0 C 55	59.60.3337	1 pce	100n	CER 50V, 10%, X7R, 0805	0 R 32	57.69.1000	1 pce	0R0	CF 5% 0603
0 C 56	not used	1 pce	10n	CER 16V, 0402	0 R 33	57.69.1037	1 pce	33R	CF 5% 0603
0 C 57	59.60.3337	1 pce	100n	CER 50V, 10%, X7R, 0805	0 R 34	57.69.1000	1 pce	0R0	CF 5% 0603
0 C 58	not used	1 pce	10n	CER 16V, 0402	0 R 35	57.69.1000	1 pce	0R0	CF 5% 0603
0 C 59	not used	1 pce	10n	CER 16V, 0402	0 R 36	57.69.1000	1 pce	0R0	CF 5% 0603
0 C 60	not used	1 pce	100n	CER 6.3V, 0402	0 R 37	not used	1 pce	0R0	CF 5% 0603
0 C 61	59.60.3337	1 pce	100n	CER 50V, 10%, X7R, 0805	0 R 38	not used	1 pce	0R0	CF 5% 0603
0 C 62	59.60.3337	1 pce	100n	CER 50V, 10%, X7R, 0805	0 R 39	57.69.1085	1 pce	3k3	CF 5% 0603
0 C 63	59.60.3337	1 pce	100n	CER 50V, 10%, X7R, 0805	0 R 40	57.69.1085	1 pce	3k3	CF 5% 0603
0 C 64	59.60.3337	1 pce	100n	CER 50V, 10%, X7R, 0805	0 R 41	57.69.1085	1 pce	3k3	CF 5% 0603
0 C 65	not used	1 pce	100n	CER 6.3V, 0402	0 R 42	not used	1 pce	100R	MF, 1%, 0204, E24
0 C 66	59.60.3337	1 pce	100n	CER 50V, 10%, X7R, 0805	0 R 43	not used	1 pce	1k5	MF, 1%, 0204, E24
0 C 67	59.60.3337	1 pce	100n	CER 50V, 10%, X7R, 0805	0 R 44	57.69.1037	1 pce	33R	CF 5% 0603
0 C 68	59.60.3337	1 pce	100n	CER 50V, 10%, X7R, 0805	0 R 45	not used	1 pce	0R0	CF 5% 0603
0 C 69	59.60.3337	1 pce	100n	CER 50V, 10%, X7R, 0805	0 R 46	not used	1 pce	0R0	CF 5% 0603
0 C 71	not used	1 pce	100n	CER 6.3V, 0402	0 R 47	not used	1 pce	0R0	CF 5% 0603
0 C 72	not used	1 pce	100n	CER 6.3V, 0402	0 R 48	not used	1 pce	0R0	CF 5% 0603
0 C 73	not used	1 pce	1u0	CER 6.3V, 0603	0 R 53	57.69.1097	1 pce	10k	CF 5% 0603
0 C 74	not used	1 pce	1u0	CER 6.3V, 0603	0 R 54	57.69.1097	1 pce	10k	CF 5% 0603
0 C 75	not used	1 pce	10u	CER 6.3V, 0805	0 R 55	57.69.1097	1 pce	10k	CF 5% 0603
0 C 84	not used	1 pce	100n	CER 6.3V, 0402	0 R 56	not used	1 pce	33R	CF 5% 0603
0 C 85	not used	1 pce	100n	CER 6.3V, 0402	0 R 57	57.69.1097	1 pce	10k	CF 5% 0603
0 C 86	not used	1 pce	100n	CER 6.3V, 0402	0 R 58	57.69.1097	1 pce	10k	CF 5% 0603
0 C 87	not used	1 pce	100n	CER 6.3V, 0402	0 R 59	not used	1 pce	1k0	CF 5% 0603
0 C 88	not used	1 pce	1u0	CER 6.3V, 0603	0 R 60	57.69.1097	1 pce	10k	CF 5% 0603
0 C 89	not used	1 pce	1u0	CER 6.3V, 0603	0 R 61	not used	1 pce	10k	CF 5% 0603
0 C 95	59.68.0317	1 pce	220u	EL 35V, 10 *10.7 lowESR	0 R 62	57.69.1097	1 pce	10k	CF 5% 0603
0 C 96	59.68.0029	1 pce	100u	EL 6V, 6.3*5.7	0 R 63	not used	1 pce	1k0	CF 5% 0603
0 C 97	59.60.3329	1 pce	22n	CER 50V, 10%, X7R, 0805	0 R 64	not used	1 pce	1k0	CF 5% 0603
0 C 98	not used	1 pce	100n	CER 50V, 10%, X7R, 0805	0 R 65	not used	1 pce	0R0	CF 5% 0603
0 C 102	not used	1 pce	1u0	CER 6.3V, 0603	0 R 66	not used	1 pce	0R0	CF 5% 0603
0 C 120	not used	1 pce	47u	CER 6.3V, 1210	0 R 67	not used	1 pce	0R0	CF 5% 0603
0 C 204	not used	1 pce	10n	CER 16V, 0402	0 R 68	not used	1 pce	0R0	CF 5% 0603
0 C 246	not used	1 pce	100n	CER 6.3V, 0402	0 R 69	not used	1 pce	0R0	CF 5% 0603
0 C 257	not used	1 pce	100n	CER 6.3V, 0402	0 R 70	not used	1 pce	0R0	CF 5% 0603
0 C 270	not used	1 pce	10u	CER 6.3V, 0805	0 R 71	not used	1 pce	0R0	CF 5% 0603
0 C 271	not used	1 pce	100n	CER 6.3V, 0402	0 R 72	not used	1 pce	0R0	CF 5% 0603
0 C 275	not used	1 pce	10n	CER 6.3V, 0805	0 R 73	not used	1 pce	0R0	CF 5% 0603
0 C 284	not used	1 pce	220p	CER 50V, 5%, COG, 0603	0 R 75	57.69.1097	1 pce	10k	CF 5% 0603
0 D 14	50.60.8103	1 pce	SS14	1A 40V Schottky	0 R 76	57.69.1097	1 pce	10k	CF 5% 0603
0 IC 1	not used	1 pce		FPGA SPARTAN 3-500 E	0 R 77	57.69.1097	1 pce	10k	CF 5% 0603
0 IC 2	50.65.0244	1 pce	74LVC244	Octal buffer/line driver 3.3V	0 R 78	57.69.1097	1 pce	10k	CF 5% 0603
0 IC 4	50.65.0244	1 pce	74LVC244	Octal buffer/line driver 3.3V	0 R 79	57.69.1097	1 pce	10k	CF 5% 0603
0 IC 5	50.65.0004	1 pce	74LVC04	Hex Inverter 3.3V	0 R 80	57.69.1097	1 pce	10k	CF 5% 0603
0 IC 6	50.65.0244	1 pce	74LVC244	Octal buffer/line driver 3.3V	0 R 81	57.69.1000	1 pce	0R0	CF 5% 0603
0 IC 7	50.62.3165	1 pce	74HCT165	8bit parallel in/serial out	0 R 82	57.69.1000	1 pce	0R0	CF 5% 0603
0 IC 8	not used	1 pce	MAX1951	Step down switching regulator	0 R 83	57.69.1000	1 pce	0R0	CF 5% 0603
0 IC 17	50.62.3165	1 pce	74HCT165	8bit parallel in/serial out	0 R 84	57.69.1000	1 pce	0R0	CF 5% 0603
0 IC 23	50.63.2002	1 pce	MAX6358	Dual volt. uP supervisor	0 R 85	57.69.1000	1 pce	0R0	CF 5% 0603
0 IC 24	not used	1 pce	29LV040	Flash Memory 512K*8, 3V, 70ms	0 R 86	not used	1 pce	0R0	CF 5% 0603
0 IC 26	50.61.2006	1 pce	L5970D	Step down switching regulator	0 R 87	not used	1 pce	0R0	CF 5% 0603
0 IC 45	not used	1 pce	MAX1951	Step down switching regulator	0 R 88	not used	1 pce	0R0	CF 5% 0603
0 L 2	not used	1 pce	2u2	SMD 2.6A 2525	0 R 89	not used	1 pce	0R0	CF 5% 0603
0 L 3	not used	1 pce	2u2	SMD 2.6A 2525	0 R 90	not used	1 pce	0R0	CF 5% 0603
					0 R 91	not used	1 pce	0R0	CF 5% 0603

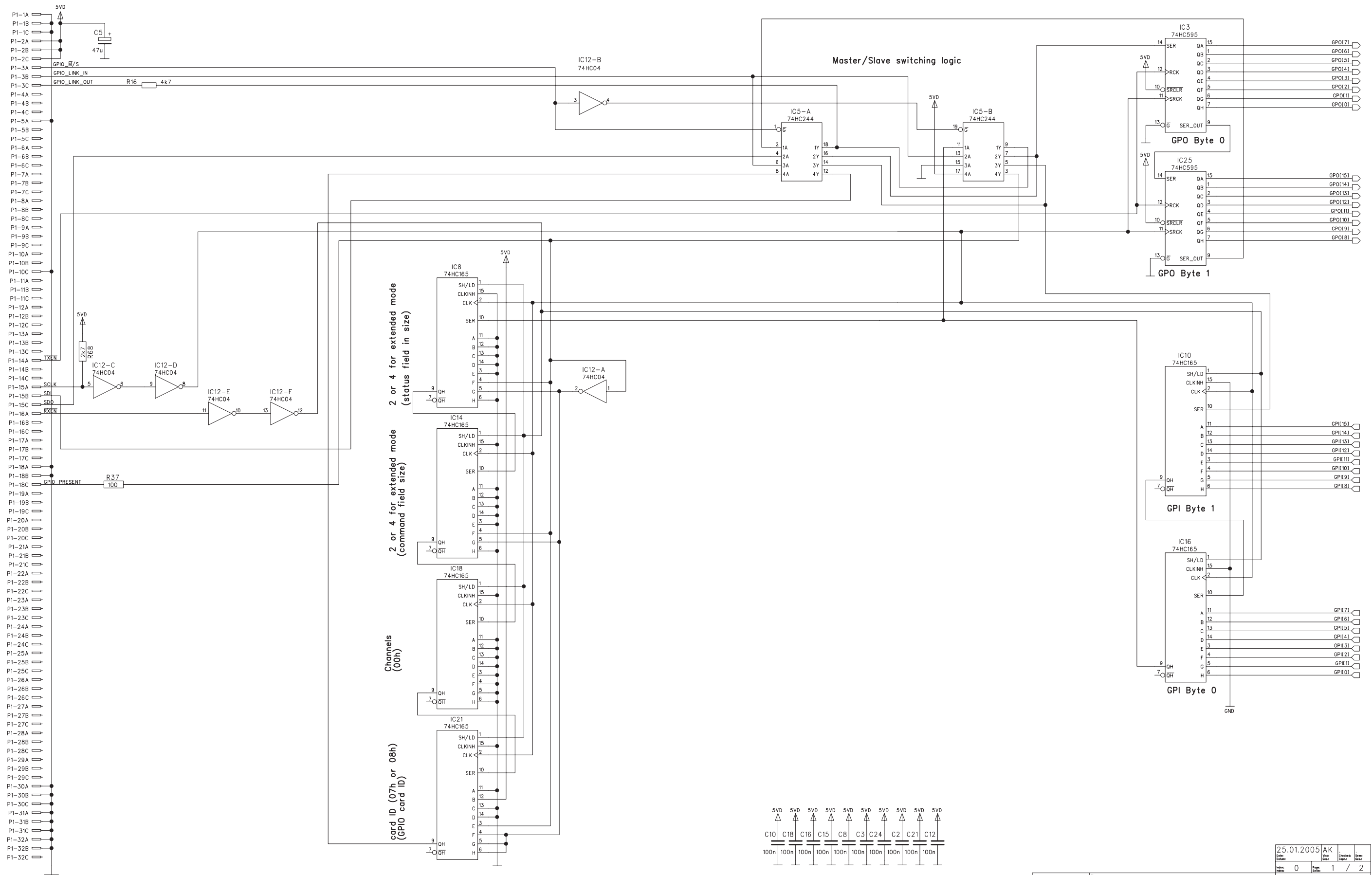
Aviom A-Net Output Card 1.949.446.00 (0)

Idx. Pos.	Part No.	Qty.	Type/Val.	Description	Idx. Pos.	Part No.	Qty.	Type/Val.	Description
0 R 92	57.69.1085	1 pce	3k3	CF 5% 0603					
0 R 93	not used	1 pce	0R0	CF 5% 0603					
0 R 94	not used	1 pce	0R0	CF 5% 0603					
0 R 95	57.69.1000	1 pce	0R0	CF 5% 0603					
0 R 97	57.69.1000	1 pce	0R0	CF 5% 0603					
0 R 98	57.69.1000	1 pce	0R0	CF 5% 0603					
0 R 99	57.69.1000	1 pce	0R0	CF 5% 0603					
0 R 100	57.69.1000	1 pce	0R0	CF 5% 0603					
0 R 101	57.69.1000	1 pce	0R0	CF 5% 0603					
0 R 102	57.69.1000	1 pce	0R0	CF 5% 0603					
0 R 103	57.69.1000	1 pce	0R0	CF 5% 0603					
0 R 117	not used	1 pce	3k3	MF, 1%, 0204, E24					
0 R 120	not used	1 pce	10R	CF 5% 0603					
0 R 122	57.69.1145	1 pce	1M0	CF 5% 0603					
0 R 123	not used	1 pce	100R	MF, 1%, 0204, E24					
0 R 125	not used	1 pce	82k	MF, 1%, 0204, E24					
0 R 126	not used	1 pce	1k5	MF, 1%, 0204, E24					
0 R 129	not used	1 pce	750R	MF, 1%, 0204, E24					
0 R 151	not used	1 pce	82R	CF 5% 0603					
0 R 154	57.60.1472	1 pce	4k7	MF, 1%, 0204, E24					
0 R 155	57.60.1562	1 pce	5k6	MF, 1%, 0204, E24					
0 R 156	57.69.1085	1 pce	3k3	CF 5% 0603					
0 R 168	not used	1 pce	1M0	CF 5% 0603					
0 R 389	not used	1 pce	10R	CF 5% 0603					
0 R 419	not used	1 pce	82k	MF, 1%, 0204, E24					
0 R 625	not used	1 pce	270R	CF 5% 0603					
0 S 1	not used	1 pce	8p	SMD DIL-Switch					
0 XIC 24	53.60.0232	1 pce	32p	PLCC, SMD					
0 Y 2	not used	1 pce	22.1184MHz	SMD Quartz					

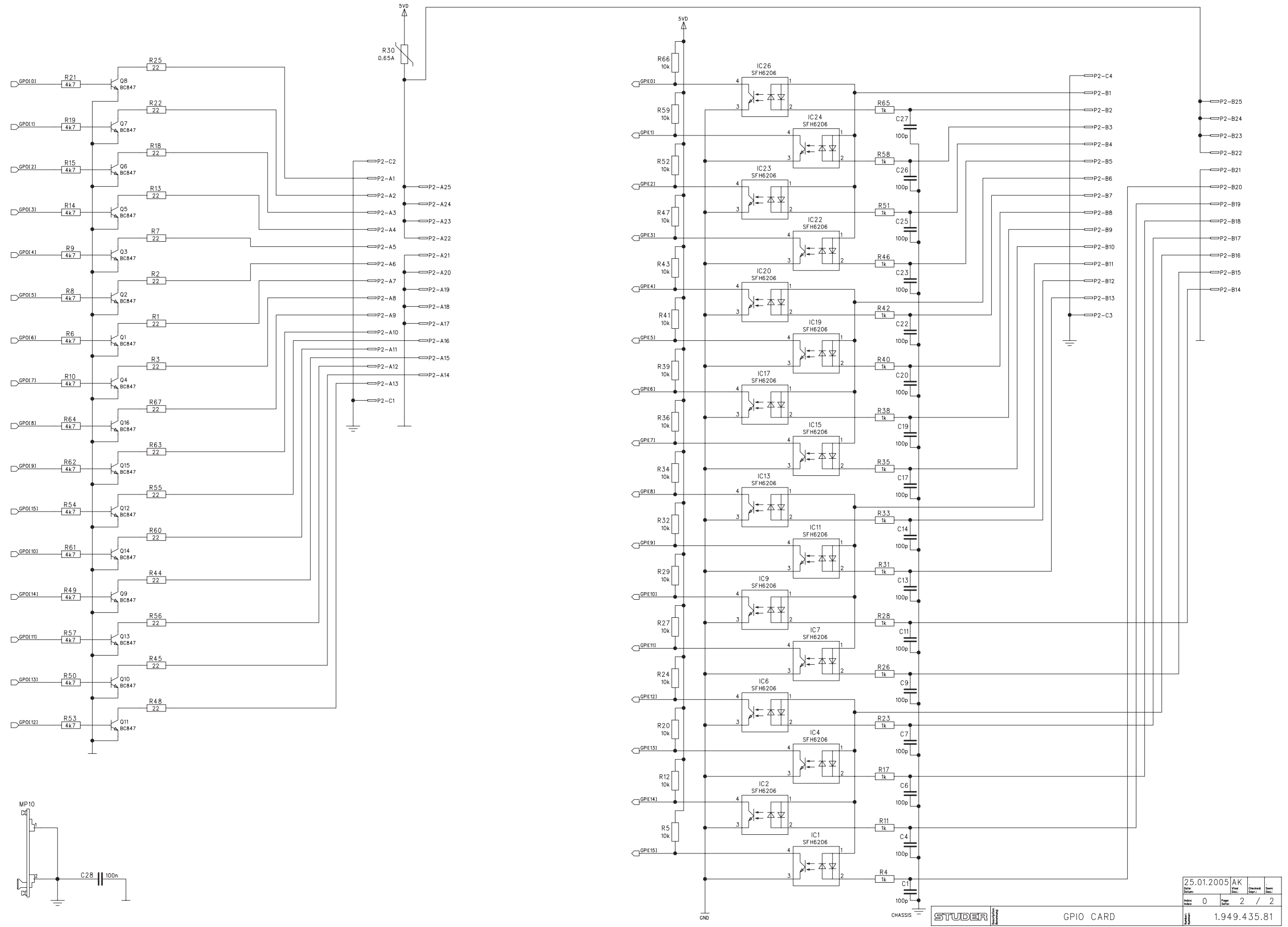
End of List

Comments:

GPIO Card 1.949.435.81 (1)

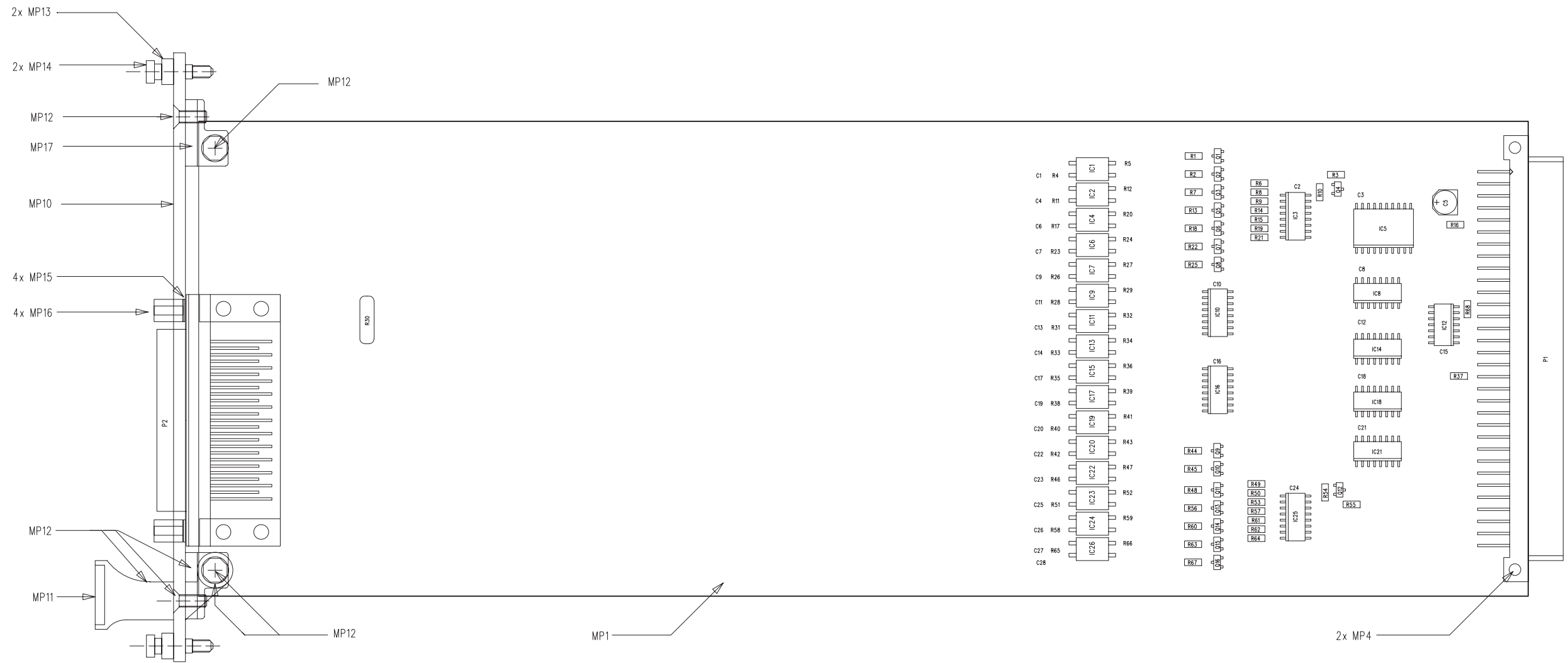


Date:	25.01.2005	AK	View:	1 / 2
Issue:	0	Page:	1	2
Rev:		Sheet:		



25.01.2005	AK		
Index:	0	Page:	2 / 2
STUDER		GPIO CARD	
		1.949.435.81	

GPIO Card 1.949.435.81 (1)

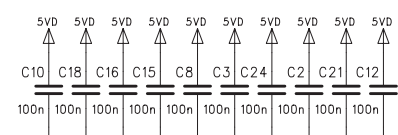
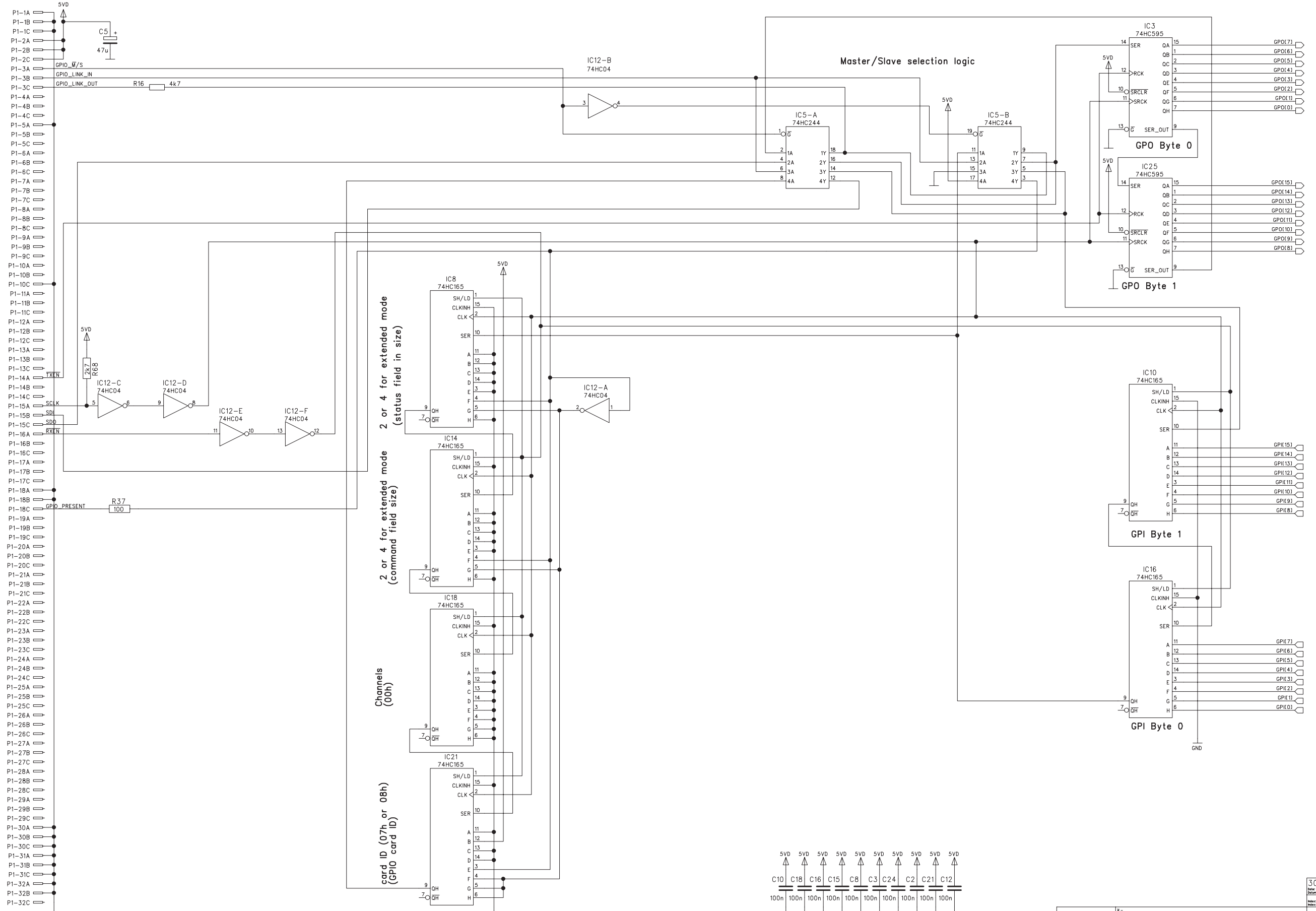


GPIO Card 1.949.435.81 (1)

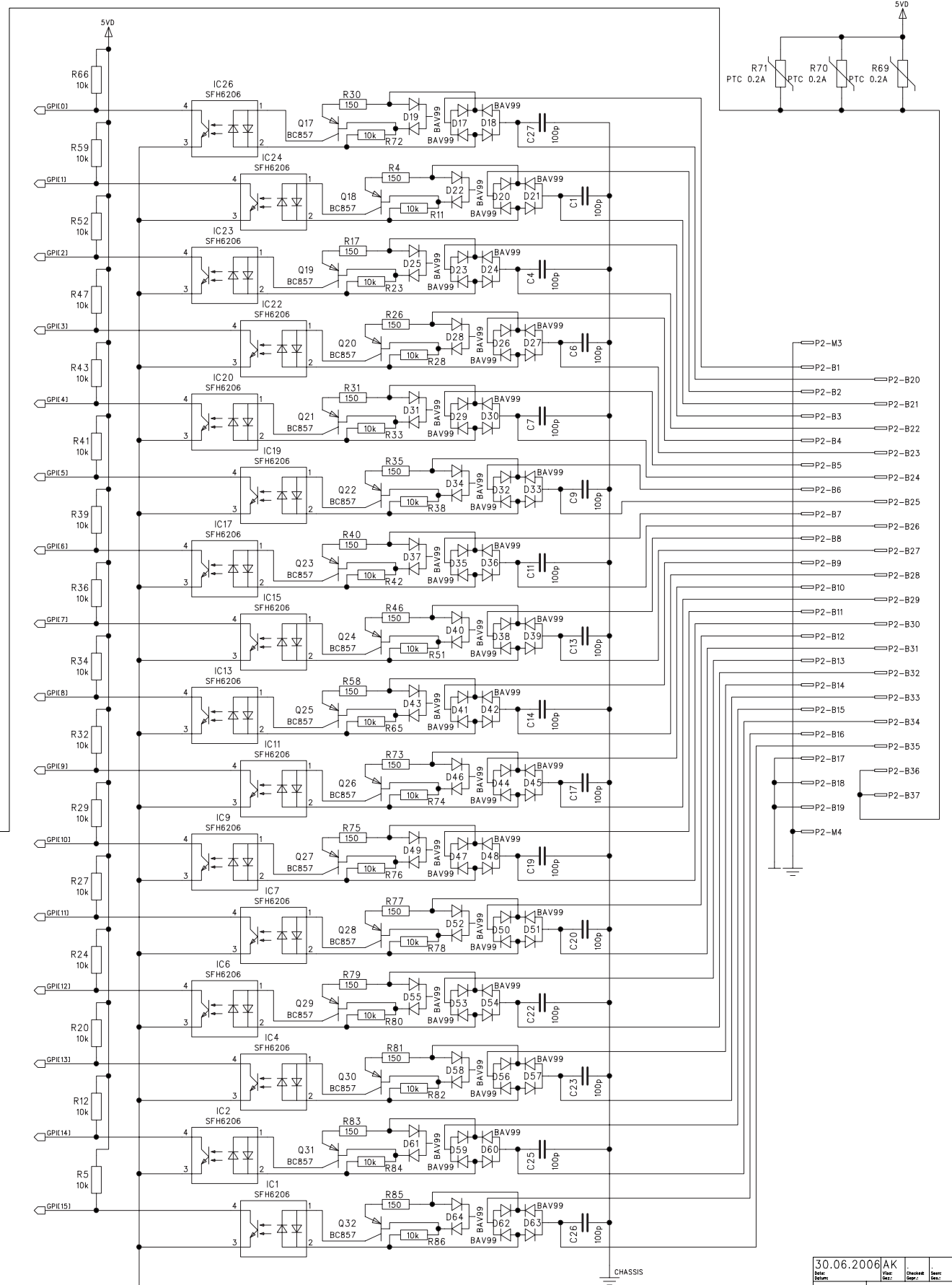
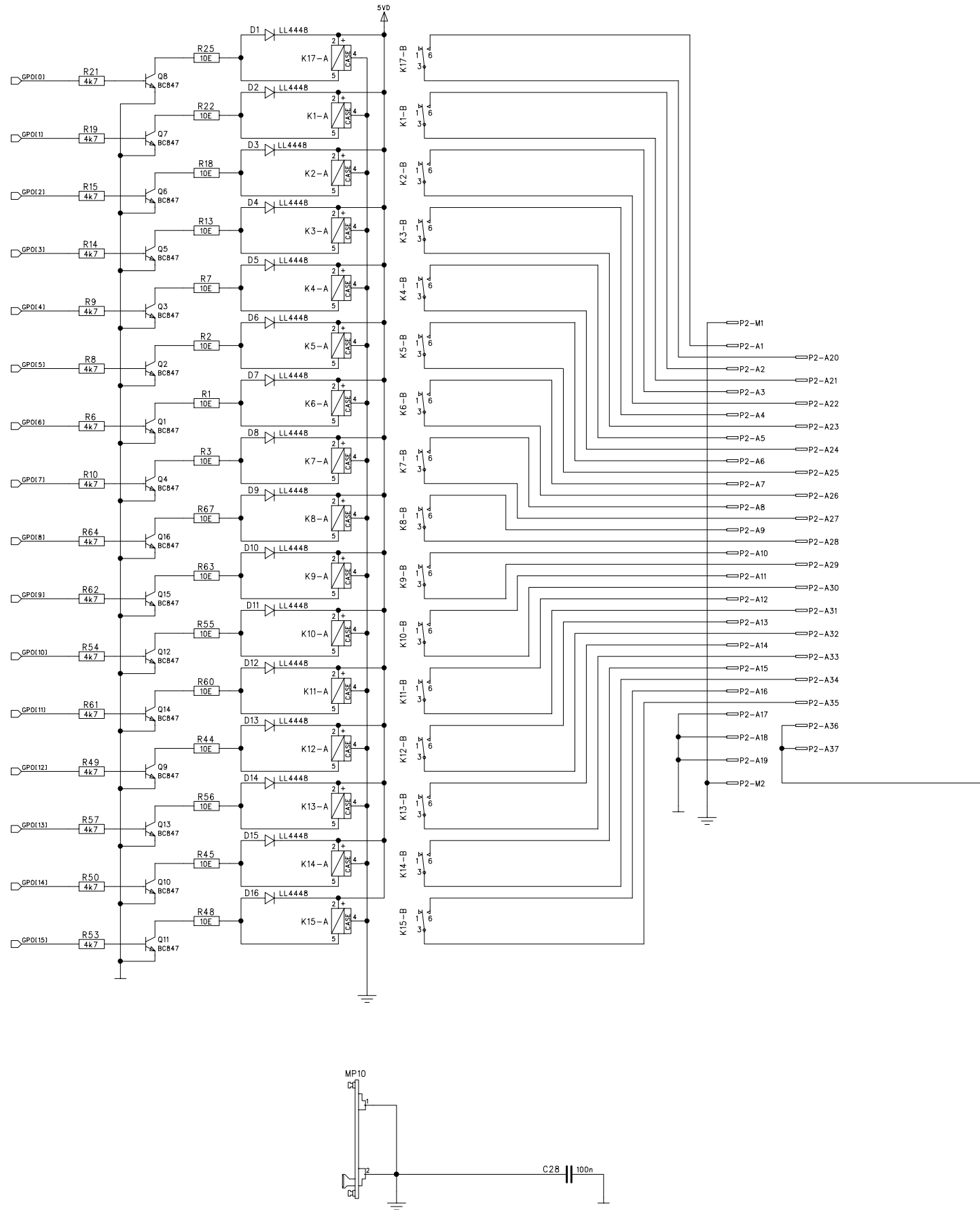
Idx. Pos.	Part No.	Qty.	Type/Val.	Description	Idx. Pos.	Part No.	Qty.	Type/Val.	Description
0 C 1	59.60.2249	1 pce	100p	CER 50V, 5%, COG, 0603	0 R 19	57.60.1472	1 pce	4k7	MF, 1%, 0204, E24
0 C 2	59.60.3337	1 pce	100n	CER 50V, 10%, X7R, 0805	0 R 20	57.69.1097	1 pce	10k	CF 5% 0603
0 C 3	59.60.3337	1 pce	100n	CER 50V, 10%, X7R, 0805	0 R 21	57.60.1472	1 pce	4k7	MF, 1%, 0204, E24
0 C 4	59.60.2249	1 pce	100p	CER 50V, 5%, COG, 0603	0 R 22	57.60.1220	1 pce	22R	MF, 1%, 0204, E24
0 C 5	59.68.0027	1 pce	47u	EL 6V, 5.0*5.7	0 R 23	57.69.1073	1 pce	1k0	CF 5% 0603
0 C 6	59.60.2249	1 pce	100p	CER 50V, 5%, COG, 0603	0 R 24	57.69.1097	1 pce	10k	CF 5% 0603
0 C 7	59.60.2249	1 pce	100p	CER 50V, 5%, COG, 0603	0 R 25	57.60.1220	1 pce	22R	MF, 1%, 0204, E24
0 C 8	59.60.3337	1 pce	100n	CER 50V, 10%, X7R, 0805	0 R 26	57.69.1073	1 pce	1k0	CF 5% 0603
0 C 9	59.60.2249	1 pce	100p	CER 50V, 5%, COG, 0603	0 R 27	57.69.1097	1 pce	10k	CF 5% 0603
0 C 10	59.60.3337	1 pce	100n	CER 50V, 10%, X7R, 0805	0 R 28	57.69.1073	1 pce	1k0	CF 5% 0603
0 C 11	59.60.2249	1 pce	100p	CER 50V, 5%, COG, 0603	0 R 29	57.69.1097	1 pce	10k	CF 5% 0603
0 C 12	59.60.3337	1 pce	100n	CER 50V, 10%, X7R, 0805	0 R 30	57.92.7014	1 pce	0.65A	PTC 60V
0 C 13	59.60.2249	1 pce	100p	CER 50V, 5%, COG, 0603	0 R 31	57.69.1073	1 pce	1k0	CF 5% 0603
0 C 14	59.60.2249	1 pce	100p	CER 50V, 5%, COG, 0603	0 R 32	57.69.1097	1 pce	10k	CF 5% 0603
0 C 15	59.60.3337	1 pce	100n	CER 50V, 10%, X7R, 0805	0 R 33	57.69.1073	1 pce	1k0	CF 5% 0603
0 C 16	59.60.3337	1 pce	100n	CER 50V, 10%, X7R, 0805	0 R 34	57.69.1097	1 pce	10k	CF 5% 0603
0 C 17	59.60.2249	1 pce	100p	CER 50V, 5%, COG, 0603	0 R 35	57.69.1073	1 pce	1k0	CF 5% 0603
0 C 18	59.60.3337	1 pce	100n	CER 50V, 10%, X7R, 0805	0 R 36	57.69.1097	1 pce	10k	CF 5% 0603
0 C 19	59.60.2249	1 pce	100p	CER 50V, 5%, COG, 0603	0 R 37	57.60.1101	1 pce	100R	MF, 1%, 0204, E24
0 C 20	59.60.2249	1 pce	100p	CER 50V, 5%, COG, 0603	0 R 38	57.69.1073	1 pce	1k0	CF 5% 0603
0 C 21	59.60.3337	1 pce	100n	CER 50V, 10%, X7R, 0805	0 R 39	57.69.1097	1 pce	10k	CF 5% 0603
0 C 22	59.60.2249	1 pce	100p	CER 50V, 5%, COG, 0603	0 R 40	57.69.1073	1 pce	1k0	CF 5% 0603
0 C 23	59.60.2249	1 pce	100p	CER 50V, 5%, COG, 0603	0 R 41	57.69.1097	1 pce	10k	CF 5% 0603
0 C 24	59.60.3337	1 pce	100n	CER 50V, 10%, X7R, 0805	0 R 42	57.69.1073	1 pce	1k0	CF 5% 0603
0 C 25	59.60.2249	1 pce	100p	CER 50V, 5%, COG, 0603	0 R 43	57.69.1097	1 pce	10k	CF 5% 0603
0 C 26	59.60.2249	1 pce	100p	CER 50V, 5%, COG, 0603	0 R 44	57.60.1220	1 pce	22R	MF, 1%, 0204, E24
0 C 27	59.60.2249	1 pce	100p	CER 50V, 5%, COG, 0603	0 R 45	57.60.1220	1 pce	22R	MF, 1%, 0204, E24
0 C 28	59.60.3337	1 pce	100n	CER 50V, 10%, X7R, 0805	0 R 46	57.69.1073	1 pce	1k0	CF 5% 0603
0 IC 1	50.60.9521	1 pce	SFH6206-2	Optokoppler	0 R 47	57.69.1097	1 pce	10k	CF 5% 0603
0 IC 2	50.60.9521	1 pce	SFH6206-2	Optokoppler	0 R 48	57.60.1220	1 pce	22R	MF, 1%, 0204, E24
0 IC 3	50.62.1595	1 pce	74HC595	8bit shift/output register	0 R 49	57.60.1472	1 pce	4k7	MF, 1%, 0204, E24
0 IC 4	50.60.9521	1 pce	SFH6206-2	Optokoppler	0 R 50	57.60.1472	1 pce	4k7	MF, 1%, 0204, E24
0 IC 5	50.62.1244	1 pce	74HC244	Octal buffer line driver/recei	0 R 51	57.69.1073	1 pce	1k0	CF 5% 0603
0 IC 6	50.60.9521	1 pce	SFH6206-2	Optokoppler	0 R 52	57.69.1097	1 pce	10k	CF 5% 0603
0 IC 7	50.60.9521	1 pce	SFH6206-2	Optokoppler	0 R 53	57.60.1472	1 pce	4k7	MF, 1%, 0204, E24
0 IC 8	50.62.1165	1 pce	74HC165	8bit shift register	0 R 54	57.60.1472	1 pce	4k7	MF, 1%, 0204, E24
0 IC 9	50.60.9521	1 pce	SFH6206-2	Optokoppler	0 R 55	57.60.1220	1 pce	22R	MF, 1%, 0204, E24
0 IC 10	50.62.1165	1 pce	74HC165	8bit shift register	0 R 56	57.60.1220	1 pce	22R	MF, 1%, 0204, E24
0 IC 11	50.60.9521	1 pce	SFH6206-2	Optokoppler	0 R 57	57.60.1472	1 pce	4k7	MF, 1%, 0204, E24
0 IC 12	50.62.1004	1 pce	74HC 04	Hex inverter	0 R 58	57.69.1073	1 pce	1k0	CF 5% 0603
0 IC 13	50.60.9521	1 pce	SFH6206-2	Optokoppler	0 R 59	57.69.1097	1 pce	10k	CF 5% 0603
0 IC 14	50.62.1165	1 pce	74HC165	8bit shift register	0 R 60	57.60.1220	1 pce	22R	MF, 1%, 0204, E24
0 IC 15	50.60.9521	1 pce	SFH6206-2	Optokoppler	0 R 61	57.60.1472	1 pce	4k7	MF, 1%, 0204, E24
0 IC 16	50.62.1165	1 pce	74HC165	8bit shift register	0 R 62	57.60.1472	1 pce	4k7	MF, 1%, 0204, E24
0 IC 17	50.60.9521	1 pce	SFH6206-2	Optokoppler	0 R 63	57.60.1220	1 pce	22R	MF, 1%, 0204, E24
0 IC 18	50.62.1165	1 pce	74HC165	8bit shift register	0 R 64	57.60.1472	1 pce	4k7	MF, 1%, 0204, E24
0 IC 19	50.60.9521	1 pce	SFH6206-2	Optokoppler	0 R 65	57.69.1073	1 pce	1k0	CF 5% 0603
0 IC 20	50.60.9521	1 pce	SFH6206-2	Optokoppler	0 R 66	57.69.1097	1 pce	10k	CF 5% 0603
0 IC 21	50.62.1165	1 pce	74HC165	8bit shift register	0 R 67	57.60.1220	1 pce	22R	MF, 1%, 0204, E24
0 IC 22	50.60.9521	1 pce	SFH6206-2	Optokoppler	0 R 68	57.60.1272	1 pce	2k7	MF, 1%, 0204, E24
0 IC 23	50.60.9521	1 pce	SFH6206-2	Optokoppler					
0 IC 24	50.60.9521	1 pce	SFH6206-2	Optokoppler					
0 IC 25	50.62.1595	1 pce	74HC595	8bit shift/output register					
0 IC 26	50.60.9521	1 pce	SFH6206-2	Optokoppler					
0 MP 1	1.949.435.13	1 pce		GPIO CARD PCB					
0 MP 2	1.949.435.10	1 pce		Nr. ETIKETTE 5x20					
0 MP 3	43.01.0108	1 pce	Label	ESE-Warnschild					
0 MP 4	28.99.0119	2 pcs		ROHRNIETE D 2.5*0.15* 9					
0 MP 10	1.949.435.01	1 pce		FRONTPLATTE GPIO CARD					
0 MP 11	1.940.600.05	1 pce		GRIFFEINLAGE 4TE					
0 MP 12	49.02.0514	1 pce	4TE	Frontplatten-Griffsatz					
0 MP 13	49.02.0521	2 pcs		Metall-Buchse (Rack)					
0 MP 14	49.02.0524	2 pcs	M2.5*12	Schraube spezial					
1 MP 15	24.16.2025	4 pcs	2.7/5.5	Fächerscheibe Form A					
0 MP 16	54.13.0081	4 pcs	4.85mm	Bolzen UNC 4-40					
0 MP 17	49.02.0522	1 pce		Kartenhalter mit Z-Schr					
0 P 1	54.11.2009	1 pce	96p	EU-R 3*32p					
0 P 2	54.13.0123	1 pce	2*25p	D-Sub, PCB, winkel					
0 Q 1	50.60.0001	1 pce	BC847B	NPN 45V 100mA SOT 23					
0 Q 2	50.60.0001	1 pce	BC847B	NPN 45V 100mA SOT 23					
0 Q 3	50.60.0001	1 pce	BC847B	NPN 45V 100mA SOT 23					
0 Q 4	50.60.0001	1 pce	BC847B	NPN 45V 100mA SOT 23					
0 Q 5	50.60.0001	1 pce	BC847B	NPN 45V 100mA SOT 23					
0 Q 6	50.60.0001	1 pce	BC847B	NPN 45V 100mA SOT 23					
0 Q 7	50.60.0001	1 pce	BC847B	NPN 45V 100mA SOT 23					
0 Q 8	50.60.0001	1 pce	BC847B	NPN 45V 100mA SOT 23					
0 Q 9	50.60.0001	1 pce	BC847B	NPN 45V 100mA SOT 23					
0 Q 10	50.60.0001	1 pce	BC847B	NPN 45V 100mA SOT 23					
0 Q 11	50.60.0001	1 pce	BC847B	NPN 45V 100mA SOT 23					
0 Q 12	50.60.0001	1 pce	BC847B	NPN 45V 100mA SOT 23					
0 Q 13	50.60.0001	1 pce	BC847B	NPN 45V 100mA SOT 23					
0 Q 14	50.60.0001	1 pce	BC847B	NPN 45V 100mA SOT 23					
0 Q 15	50.60.0001	1 pce	BC847B	NPN 45V 100mA SOT 23					
0 Q 16	50.60.0001	1 pce	BC847B	NPN 45V 100mA SOT 23					
0 R 1	57.60.1220	1 pce	22R	MF, 1%, 0204, E24					
0 R 2	57.60.1220	1 pce	22R	MF, 1%, 0204, E24					
0 R 3	57.60.1220	1 pce	22R	MF, 1%, 0204, E24					
0 R 4	57.69.1073	1 pce	1k0	CF 5% 0603					
0 R 5	57.69.1097	1 pce	10k	CF 5% 0603					
0 R 6	57.60.1472	1 pce	4k7	MF, 1%, 0204, E24					
0 R 7	57.60.1220	1 pce	22R	MF, 1%, 0204, E24					
0 R 8	57.60.1472	1 pce	4k7	MF, 1%, 0204, E24					
0 R 9	57.60.1472	1 pce	4k7	MF, 1%, 0204, E24					
0 R 10	57.60.1472	1 pce	4k7	MF, 1%, 0204, E24					
0 R 11	57.69.1073	1 pce	1k0	CF 5% 0603					
0 R 12	57.69.1097	1 pce	10k	CF 5% 0603					
0 R 13	57.60.1220	1 pce	22R	MF, 1%, 0204, E24					
0 R 14	57.60.1472	1 pce	4k7	MF, 1%, 0204, E24					
0 R 15	57.60.1472	1 pce	4k7	MF, 1%, 0204, E24					
0 R 16	57.60.1472	1 pce	4k7	MF, 1%, 0204, E24					
0 R 17	57.69.1073	1 pce	1k0	CF 5% 0603					
0 R 18	57.60.1220	1 pce	22R	MF, 1%, 0204, E24					

End of List**Comments:**(00) 25.01.05 WO
(01) 18.05.05 MP15:24.16.2030->24.16.2025

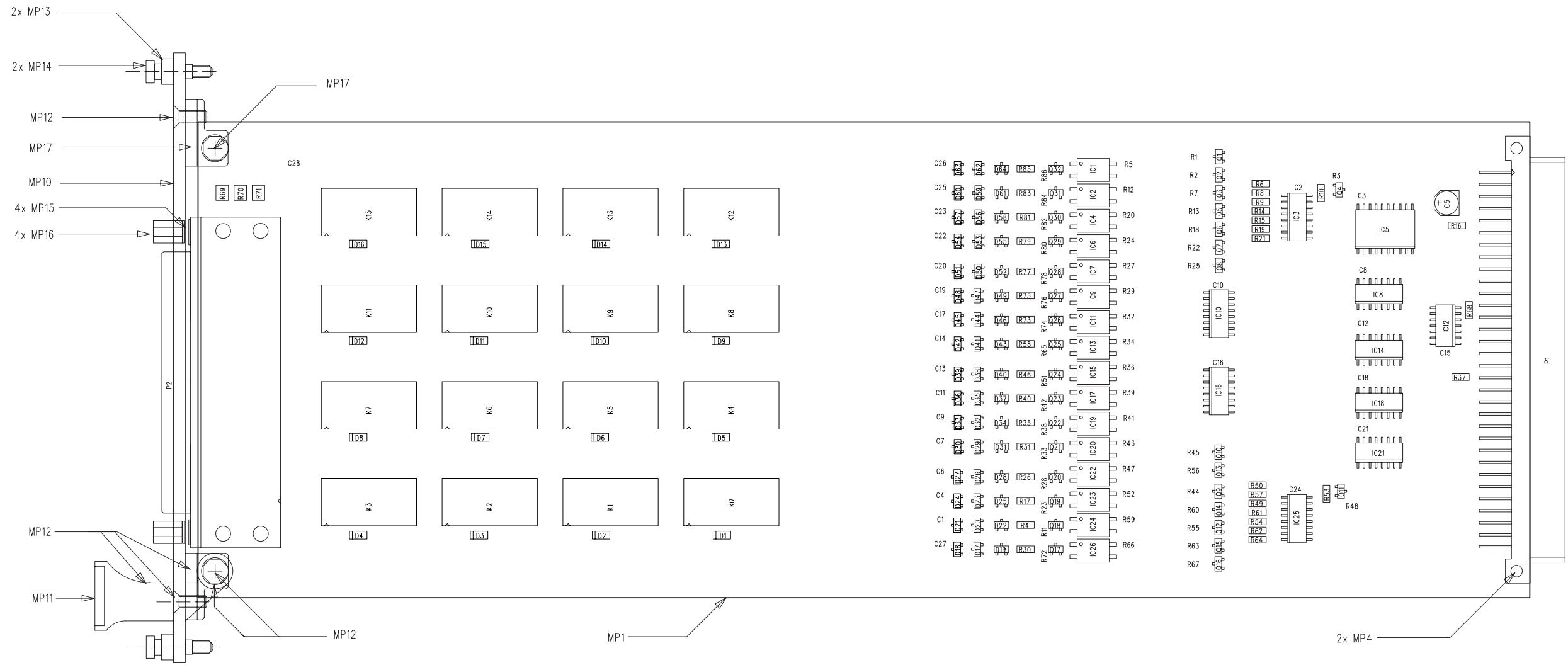
GPIO Card w. Relay Output 1.949.436.81 (0)



GPIO Card w. Relay Output 1.949.436.81 (0)



GPIO Card w. Relay Output 1.949.436.81 (0)



GPIO Card w. Relay Output 1.949.436.81 (0)

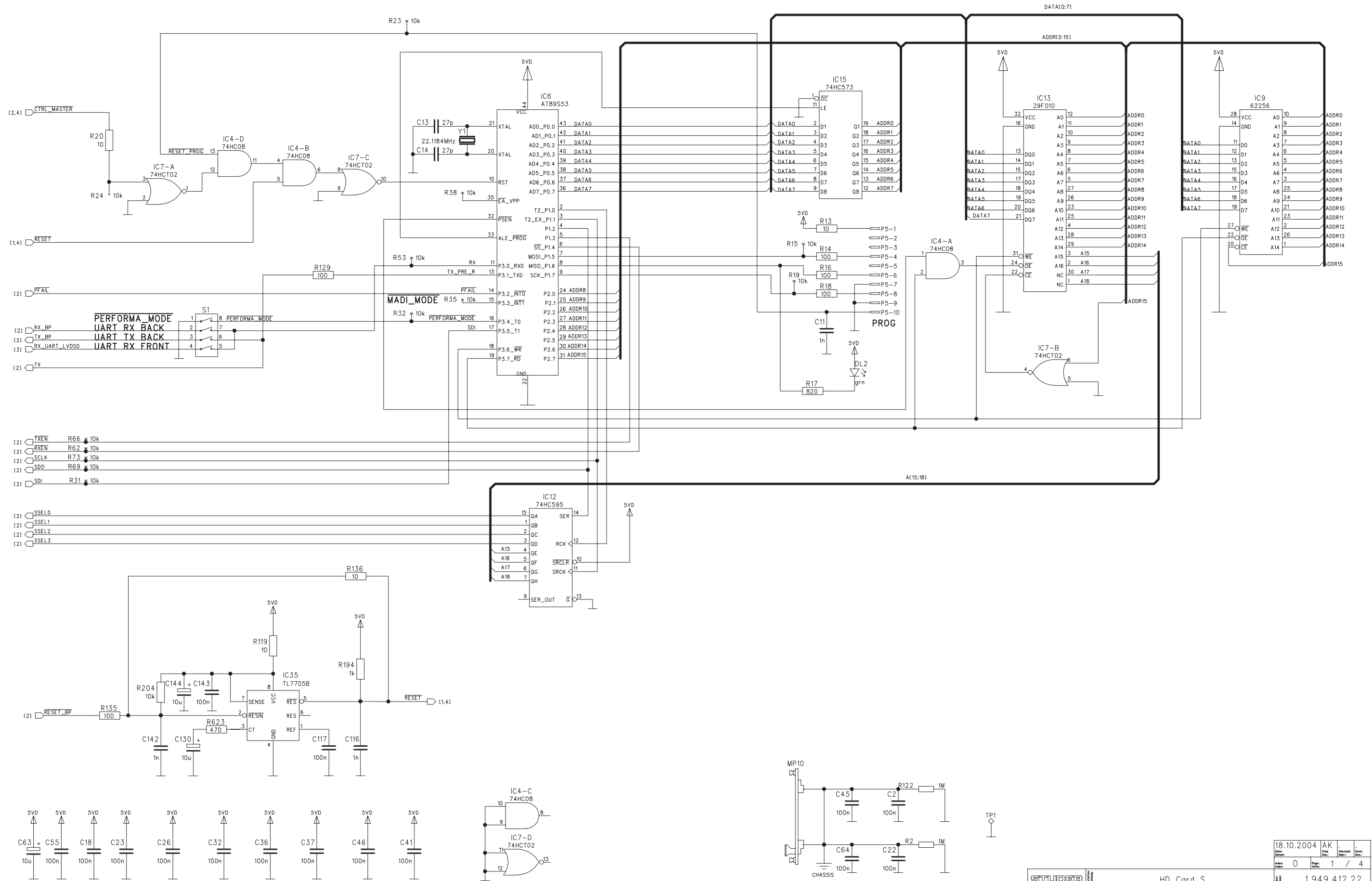
Idx.	Pos.	Part No.	Qty.	Type/Val.	Description	Idx.	Pos.	Part No.	Qty.	Type/Val.	Description	
0	C 1	59.60.2249	1	pce	100p	0	IC 11	50.60.9521	1	pce	SFH6206-2	Optokoppler
0	C 2	59.60.3337	1	pce	100n	0	IC 12	50.62.1004	1	pce	74HC 04	Hex inverter
0	C 3	59.60.3337	1	pce	100n	0	IC 13	50.60.9521	1	pce	SFH6206-2	Optokoppler
0	C 4	59.60.2249	1	pce	100p	0	IC 14	50.62.1165	1	pce	74HC165	8bit shift register
0	C 5	59.68.0027	1	pce	47u	0	IC 15	50.60.9521	1	pce	SFH6206-2	Optokoppler
0	C 6	59.60.2249	1	pce	100p	0	IC 16	50.62.1165	1	pce	74HC165	8bit shift register
0	C 7	59.60.2249	1	pce	100p	0	IC 17	50.60.9521	1	pce	SFH6206-2	Optokoppler
0	C 8	59.60.3337	1	pce	100n	0	IC 18	50.62.1165	1	pce	74HC165	8bit shift register
0	C 9	59.60.2249	1	pce	100p	0	IC 19	50.60.9521	1	pce	SFH6206-2	Optokoppler
0	C 10	59.60.3337	1	pce	100n	0	IC 20	50.60.9521	1	pce	SFH6206-2	Optokoppler
0	C 11	59.60.2249	1	pce	100p	0	IC 21	50.62.1165	1	pce	74HC165	8bit shift register
0	C 12	59.60.3337	1	pce	100n	0	IC 22	50.60.9521	1	pce	SFH6206-2	Optokoppler
0	C 13	59.60.2249	1	pce	100p	0	IC 23	50.60.9521	1	pce	SFH6206-2	Optokoppler
0	C 14	59.60.2249	1	pce	100p	0	IC 24	50.60.9521	1	pce	SFH6206-2	Optokoppler
0	C 15	59.60.3337	1	pce	100n	0	IC 25	50.62.1595	1	pce	74HC595	8bit shift/output register
0	C 16	59.60.3337	1	pce	100n	0	IC 26	50.60.9521	1	pce	SFH6206-2	Optokoppler
0	C 17	59.60.2249	1	pce	100p	0	K 1	56.04.0190	1	pce	1'u	5V 250V 3A Au/Co
0	C 18	59.60.3337	1	pce	100n	0	K 2	56.04.0190	1	pce	1'u	5V 250V 3A Au/Co
0	C 19	59.60.2249	1	pce	100p	0	K 3	56.04.0190	1	pce	1'u	5V 250V 3A Au/Co
0	C 20	59.60.2249	1	pce	100p	0	K 4	56.04.0190	1	pce	1'u	5V 250V 3A Au/Co
0	C 21	59.60.3337	1	pce	100n	0	K 5	56.04.0190	1	pce	1'u	5V 250V 3A Au/Co
0	C 22	59.60.2249	1	pce	100p	0	K 6	56.04.0190	1	pce	1'u	5V 250V 3A Au/Co
0	C 23	59.60.2249	1	pce	100p	0	K 7	56.04.0190	1	pce	1'u	5V 250V 3A Au/Co
0	C 24	59.60.3337	1	pce	100n	0	K 8	56.04.0190	1	pce	1'u	5V 250V 3A Au/Co
0	C 25	59.60.2249	1	pce	100p	0	K 9	56.04.0190	1	pce	1'u	5V 250V 3A Au/Co
0	C 26	59.60.2249	1	pce	100p	0	K 10	56.04.0190	1	pce	1'u	5V 250V 3A Au/Co
0	C 27	59.60.2249	1	pce	100p	0	K 11	56.04.0190	1	pce	1'u	5V 250V 3A Au/Co
0	C 28	59.60.3337	1	pce	100n	0	K 12	56.04.0190	1	pce	1'u	5V 250V 3A Au/Co
0	D 1	50.60.8001	1	pce	4448	0	K 13	56.04.0190	1	pce	1'u	5V 250V 3A Au/Co
0	D 2	50.60.8001	1	pce	4448	0	K 14	56.04.0190	1	pce	1'u	5V 250V 3A Au/Co
0	D 3	50.60.8001	1	pce	4448	0	K 15	56.04.0190	1	pce	1'u	5V 250V 3A Au/Co
0	D 4	50.60.8001	1	pce	4448	0	K 17	56.04.0190	1	pce	1'u	5V 250V 3A Au/Co
0	D 5	50.60.8001	1	pce	4448	0	MP 1	1.949.436.12	1	pce		GPIO CARD RELAY PCB
0	D 6	50.60.8001	1	pce	4448	0	MP 2	1.949.436.10	1	pce		Nr. ETIKETTE 5x20
0	D 7	50.60.8001	1	pce	4448	0	MP 3	43.01.0108	1	pce	Label	ESE-Warnschild
0	D 8	50.60.8001	1	pce	4448	0	MP 4	28.99.0119	2	pcs		ROHRNIETE D 2.5*0.15* 9
0	D 9	50.60.8001	1	pce	4448	0	MP 10	1.949.436.01	1	pce		FRONTPLATTE GPIO CARD RELAY
0	D 10	50.60.8001	1	pce	4448	0	MP 11	1.940.600.05	1	pce		GRIFFEINLAGE 4TE
0	D 11	50.60.8001	1	pce	4448	0	MP 12	49.02.0514	1	pce	4TE	Frontplatten-Griffsatz
0	D 12	50.60.8001	1	pce	4448	0	MP 13	49.02.0521	2	pcs		Metall-Buchse (Rack)
0	D 13	50.60.8001	1	pce	4448	0	MP 14	49.02.0524	2	pcs	M2.5*12	Schraube spezial
0	D 14	50.60.8001	1	pce	4448	0	MP 15	24.16.2025	4	pcs	2.7/5.5	Fächerscheibe Form A
0	D 15	50.60.8001	1	pce	4448	0	MP 16	54.13.0081	4	pcs	4.85mm	Bolzen UNC 4-40
0	D 16	50.60.8001	1	pce	4448	0	MP 17	49.02.0522	1	pce		Kartenhalter mit Z-Schr
0	D 17	50.60.8901	1	pce	BAV99	0	P 1	54.11.2009	1	pce	96p	EU-R 3*32p
0	D 18	50.60.8901	1	pce	BAV99	0	P 2	54.13.0124	1	pce	2*37p	D-Sub, PCB, winkel
0	D 19	50.60.8901	1	pce	BAV99	0	Q 1	50.60.0001	1	pce	BC847B	NPN 45V 100mA SOT 23
0	D 20	50.60.8901	1	pce	BAV99	0	Q 2	50.60.0001	1	pce	BC847B	NPN 45V 100mA SOT 23
0	D 21	50.60.8901	1	pce	BAV99	0	Q 3	50.60.0001	1	pce	BC847B	NPN 45V 100mA SOT 23
0	D 22	50.60.8901	1	pce	BAV99	0	Q 4	50.60.0001	1	pce	BC847B	NPN 45V 100mA SOT 23
0	D 23	50.60.8901	1	pce	BAV99	0	Q 5	50.60.0001	1	pce	BC847B	NPN 45V 100mA SOT 23
0	D 24	50.60.8901	1	pce	BAV99	0	Q 6	50.60.0001	1	pce	BC847B	NPN 45V 100mA SOT 23
0	D 25	50.60.8901	1	pce	BAV99	0	Q 7	50.60.0001	1	pce	BC847B	NPN 45V 100mA SOT 23
0	D 26	50.60.8901	1	pce	BAV99	0	Q 8	50.60.0001	1	pce	BC847B	NPN 45V 100mA SOT 23
0	D 27	50.60.8901	1	pce	BAV99	0	Q 9	50.60.0001	1	pce	BC847B	NPN 45V 100mA SOT 23
0	D 28	50.60.8901	1	pce	BAV99	0	Q 10	50.60.0001	1	pce	BC847B	NPN 45V 100mA SOT 23
0	D 29	50.60.8901	1	pce	BAV99	0	Q 11	50.60.0001	1	pce	BC847B	NPN 45V 100mA SOT 23
0	D 30	50.60.8901	1	pce	BAV99	0	Q 12	50.60.0001	1	pce	BC847B	NPN 45V 100mA SOT 23
0	D 31	50.60.8901	1	pce	BAV99	0	Q 13	50.60.0001	1	pce	BC847B	NPN 45V 100mA SOT 23
0	D 32	50.60.8901	1	pce	BAV99	0	Q 14	50.60.0001	1	pce	BC847B	NPN 45V 100mA SOT 23
0	D 33	50.60.8901	1	pce	BAV99	0	Q 15	50.60.0001	1	pce	BC847B	NPN 45V 100mA SOT 23
0	D 34	50.60.8901	1	pce	BAV99	0	Q 16	50.60.0001	1	pce	BC847B	NPN 45V 100mA SOT 23
0	D 35	50.60.8901	1	pce	BAV99	0	Q 17	50.60.1001	1	pce	BC857B	PNP 45V 100mA SOT 23
0	D 36	50.60.8901	1	pce	BAV99	0	Q 18	50.60.1001	1	pce	BC857B	PNP 45V 100mA SOT 23
0	D 37	50.60.8901	1	pce	BAV99	0	Q 19	50.60.1001	1	pce	BC857B	PNP 45V 100mA SOT 23
0	D 38	50.60.8901	1	pce	BAV99	0	Q 20	50.60.1001	1	pce	BC857B	PNP 45V 100mA SOT 23
0	D 39	50.60.8901	1	pce	BAV99	0	Q 21	50.60.1001	1	pce	BC857B	PNP 45V 100mA SOT 23
0	D 40	50.60.8901	1	pce	BAV99	0	Q 22	50.60.1001	1	pce	BC857B	PNP 45V 100mA SOT 23
0	D 41	50.60.8901	1	pce	BAV99	0	Q 23	50.60.1001	1	pce	BC857B	PNP 45V 100mA SOT 23
0	D 42	50.60.8901	1	pce	BAV99	0	Q 24	50.60.1001	1	pce	BC857B	PNP 45V 100mA SOT 23
0	D 43	50.60.8901	1	pce	BAV99	0	Q 25	50.60.1001	1	pce	BC857B	PNP 45V 100mA SOT 23
0	D 44	50.60.8901	1	pce	BAV99	0	Q 26	50.60.1001	1	pce	BC857B	PNP 45V 100mA SOT 23
0	D 45	50.60.8901	1	pce	BAV99	0	Q 27	50.60.1001	1	pce	BC857B	PNP 45V 100mA SOT 23
0	D 46	50.60.8901	1	pce	BAV99	0	Q 28	50.60.1001	1	pce	BC857B	PNP 45V 100mA SOT 23
0	D 47	50.60.8901	1	pce	BAV99	0	Q 29	50.60.1001	1	pce	BC857B	PNP 45V 100mA SOT 23
0	D 48	50.60.8901	1	pce	BAV99	0	Q 30	50.60.1001	1	pce	BC857B	PNP 45V 100mA SOT 23
0	D 49	50.60.8901	1	pce	BAV99	0	Q 31	50.60.1001	1	pce	BC857B	PNP 45V 100mA SOT 23
0	D 50	50.60.8901	1	pce	BAV99	0	Q 32	50.60.1001	1	pce	BC857B	PNP 45V 100mA SOT 23
0	D 51	50.60.8901	1	pce	BAV99	0	R 1	57.69.1025	1	pce	10R	CF 5% 0603
0	D 52	50.60.8901	1	pce	BAV99	0	R 2	57.69.1025	1	pce	10R	CF 5% 0603
0	D 53	50.60.8901	1	pce	BAV99	0	R 3	57.69.1025	1	pce	10R	CF 5% 0603
0	D 54	50.60.8901	1	pce	BAV99	0	R 4	57.60.1151	1	pce	150R	MF, 1%, 0204, E24
0	D 55	50.60.8901	1	pce	BAV99	0	R 5	57.69.1097	1	pce	10K	CF 5% 0603
0	D 56	50.60.8901	1	pce	BAV99	0	R 6	57.69.1097	1	pce	10K	CF 5% 0603
0	D 57	50.60.8901	1	pce	BAV99	0	R 7	57.69.1025	1	pce	10R	CF 5% 0603
0	D 58	50.60.8901	1	pce	BAV99	0	R 8	57.69.1097	1	pce	10K	CF 5% 0603
0	D 59	50.60.8901	1	pce	BAV99	0	R 9	57.69.1097	1	pce	10K	CF 5% 0603
0	D 60	50.60.8901	1	pce	BAV99	0	R 10	57.69.1097	1	pce	10K	CF 5% 0603
0	D 61	50.60.8901	1	pce	BAV99	0	R 11	57.69.1097	1	pce	10K	CF 5% 0603
0	D 62	50.60.8901	1	pce	BAV99	0	R 12	57.69.1097	1	pce	10K	CF 5% 0603
0	D 63	50.60.8901	1	pce	BAV99	0	R 13	57.69.1025	1	pce	10R	CF 5% 0603
0	D 64	50.60.8901	1	pce	BAV99	0	R 14	57.69.1097	1	pce	10K	CF 5% 0603
0	IC 1	50.60.9521	1	pce	SFH6206-2	0	R 15	57.69.1097	1	pce	10K	CF 5% 0603
0	IC 2	50.60.9521	1	pce	SFH6206-2	0	R 16	57.60.1472	1	pce	4k7	MF, 1%, 0204, E24
0	IC 3	50.62.1595	1	pce	74HC595	0	R 17	57.60.1151	1	pce	150R	MF, 1%, 0204, E24
0	IC 4	50.60.9521	1	pce	SFH6206-2	0	R 18	57.69.1025	1	pce	10R	CF 5% 0603
0	IC 5	50.62.1244	1	pce	74HC244	0	R 19	57.69.1097	1	pce	10K	CF 5% 0603
0	IC 6	50.60.9521	1	pce	SFH6206-2	0	R 20	57.69.1097	1	pce	10K	CF 5% 0603
0	IC 7	50.60.9521	1	pce	SFH6206-2	0	R 21	57.69.1097	1	pce	10K	CF 5% 0603
0	IC 8	50.62.1165	1	pce	74HC165	0	R 22					

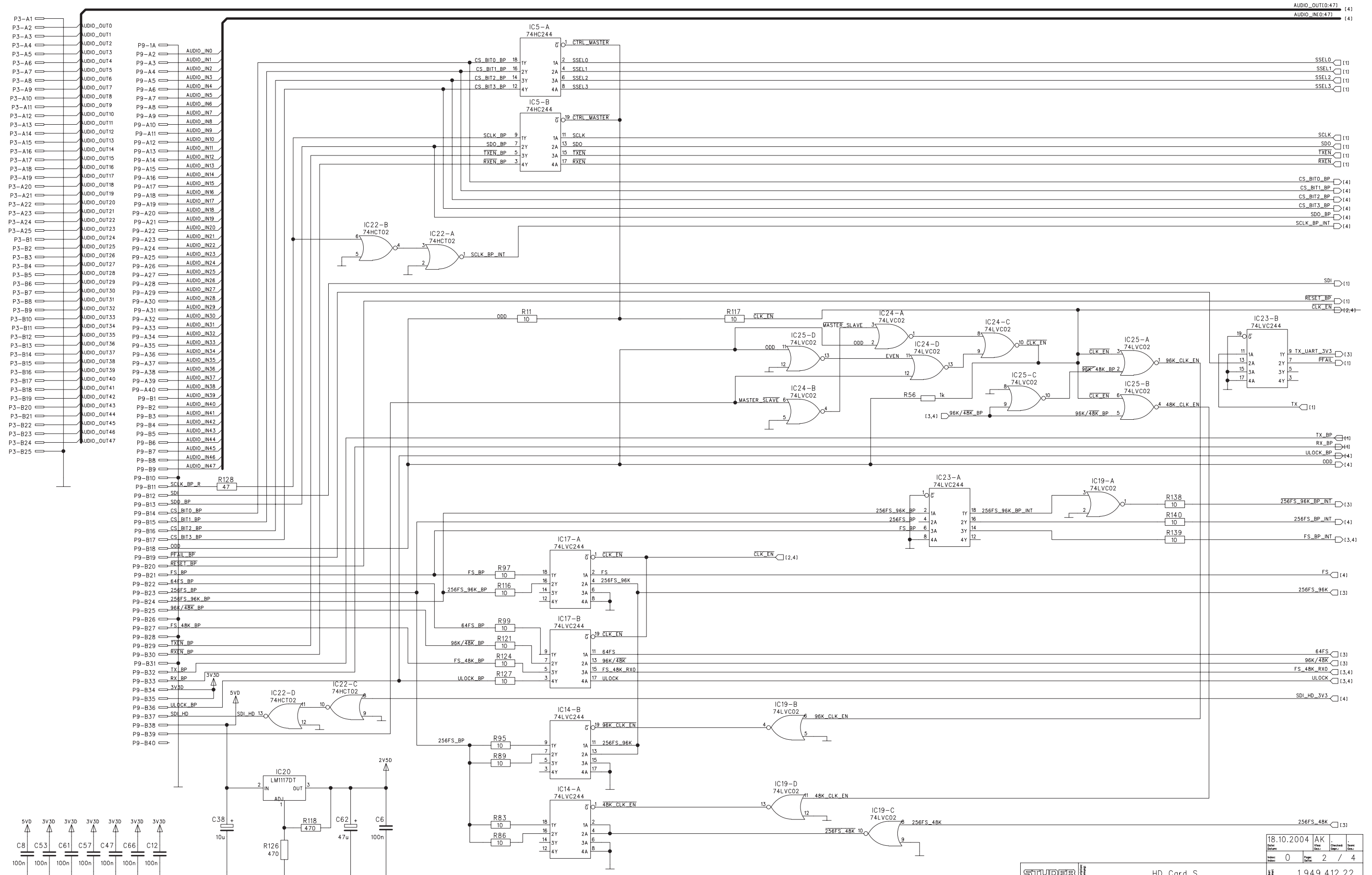
GPIO Card w. Relay Output 1.949.436.81 (0)

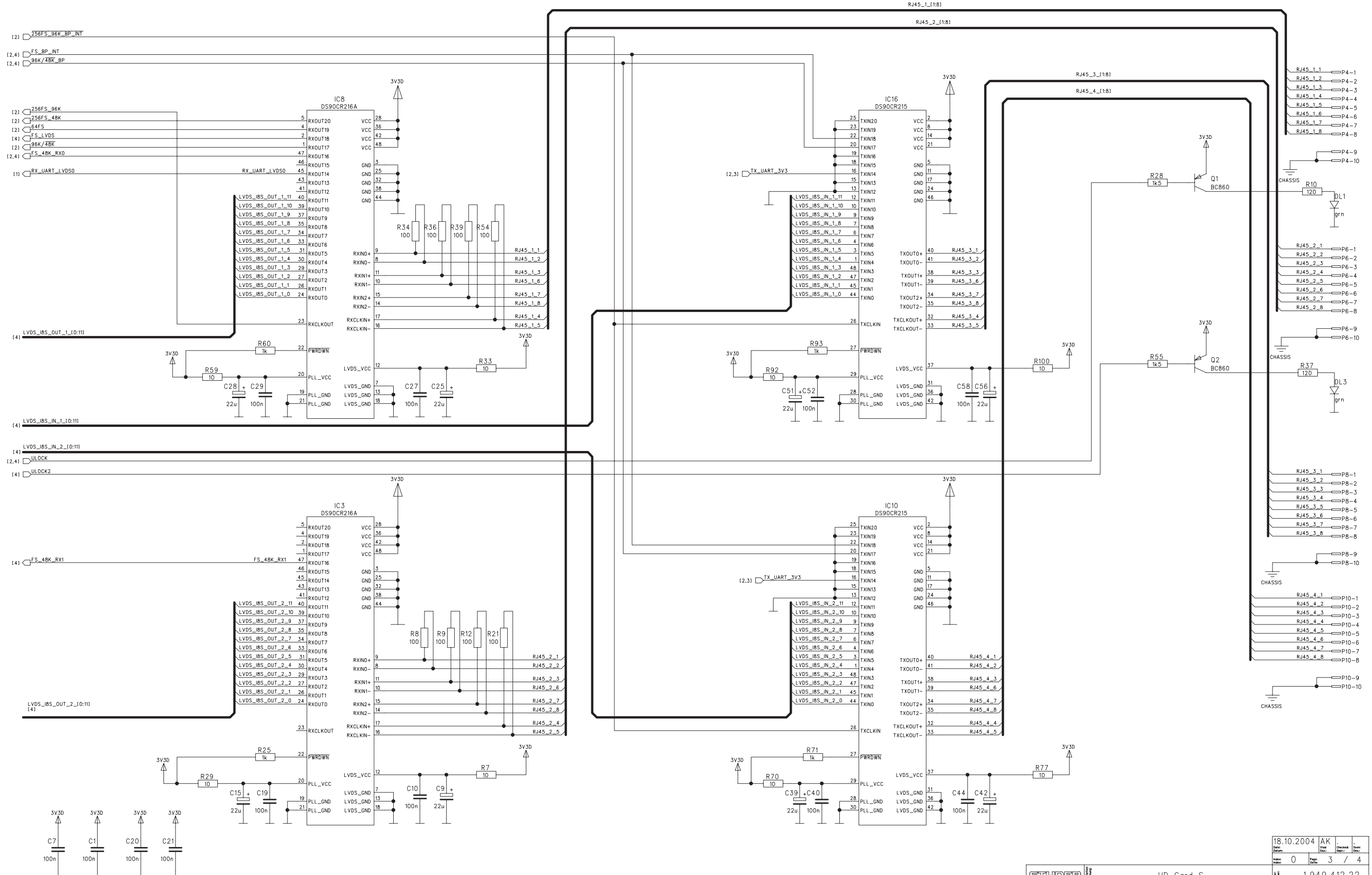
Idx. Pos.	Part No.	Qty.	Type/Val.	Description	Idx. Pos.	Part No.	Qty.	Type/Val.	Description
0 R 26	57.60.1151	1 pce	150R	MF, 1%, 0204, E24					
0 R 27	57.69.1097	1 pce	10k	CF 5% 0603					
0 R 28	57.69.1097	1 pce	10k	CF 5% 0603					
0 R 29	57.69.1097	1 pce	10k	CF 5% 0603					
0 R 30	57.60.1151	1 pce	150R	MF, 1%, 0204, E24					
0 R 31	57.60.1151	1 pce	150R	MF, 1%, 0204, E24					
0 R 32	57.69.1097	1 pce	10k	CF 5% 0603					
0 R 33	57.69.1097	1 pce	10k	CF 5% 0603					
0 R 34	57.69.1097	1 pce	10k	CF 5% 0603					
0 R 35	57.60.1151	1 pce	150R	MF, 1%, 0204, E24					
0 R 36	57.69.1097	1 pce	10k	CF 5% 0603					
0 R 37	57.60.1101	1 pce	100R	MF, 1%, 0204, E24					
0 R 38	57.69.1097	1 pce	10k	CF 5% 0603					
0 R 39	57.69.1097	1 pce	10k	CF 5% 0603					
0 R 40	57.60.1151	1 pce	150R	MF, 1%, 0204, E24					
0 R 41	57.69.1097	1 pce	10k	CF 5% 0603					
0 R 42	57.69.1097	1 pce	10k	CF 5% 0603					
0 R 43	57.69.1097	1 pce	10k	CF 5% 0603					
0 R 44	57.69.1025	1 pce	10R	CF 5% 0603					
0 R 45	57.69.1025	1 pce	10R	CF 5% 0603					
0 R 46	57.60.1151	1 pce	150R	MF, 1%, 0204, E24					
0 R 47	57.69.1097	1 pce	10k	CF 5% 0603					
0 R 48	57.69.1025	1 pce	10R	CF 5% 0603					
0 R 49	57.69.1097	1 pce	10k	CF 5% 0603					
0 R 50	57.69.1097	1 pce	10k	CF 5% 0603					
0 R 51	57.69.1097	1 pce	10k	CF 5% 0603					
0 R 52	57.69.1097	1 pce	10k	CF 5% 0603					
0 R 53	57.69.1097	1 pce	10k	CF 5% 0603					
0 R 54	57.69.1097	1 pce	10k	CF 5% 0603					
0 R 55	57.69.1025	1 pce	10R	CF 5% 0603					
0 R 56	57.69.1025	1 pce	10R	CF 5% 0603					
0 R 57	57.69.1097	1 pce	10k	CF 5% 0603					
0 R 58	57.60.1151	1 pce	150R	MF, 1%, 0204, E24					
0 R 59	57.69.1097	1 pce	10k	CF 5% 0603					
0 R 60	57.69.1025	1 pce	10R	CF 5% 0603					
0 R 61	57.69.1097	1 pce	10k	CF 5% 0603					
0 R 62	57.69.1097	1 pce	10k	CF 5% 0603					
0 R 63	57.69.1025	1 pce	10R	CF 5% 0603					
0 R 64	57.69.1097	1 pce	10k	CF 5% 0603					
0 R 65	57.69.1097	1 pce	10k	CF 5% 0603					
0 R 66	57.69.1097	1 pce	10k	CF 5% 0603					
0 R 67	57.69.1025	1 pce	10R	CF 5% 0603					
0 R 68	57.60.1272	1 pce	2k7	MF, 1%, 0204, E24					
0 R 69	57.69.8302	1 pce	0.2A	PTC					
0 R 70	57.69.8302	1 pce	0.2A	PTC					
0 R 71	57.69.8302	1 pce	0.2A	PTC					
0 R 72	57.69.1097	1 pce	10k	CF 5% 0603					
0 R 73	57.60.1151	1 pce	150R	MF, 1%, 0204, E24					
0 R 74	57.69.1097	1 pce	10k	CF 5% 0603					
0 R 75	57.60.1151	1 pce	150R	MF, 1%, 0204, E24					
0 R 76	57.69.1097	1 pce	10k	CF 5% 0603					
0 R 77	57.60.1151	1 pce	150R	MF, 1%, 0204, E24					
0 R 78	57.69.1097	1 pce	10k	CF 5% 0603					
0 R 79	57.60.1151	1 pce	150R	MF, 1%, 0204, E24					
0 R 80	57.69.1097	1 pce	10k	CF 5% 0603					
0 R 81	57.60.1151	1 pce	150R	MF, 1%, 0204, E24					
0 R 82	57.69.1097	1 pce	10k	CF 5% 0603					
0 R 83	57.60.1151	1 pce	150R	MF, 1%, 0204, E24					
0 R 84	57.69.1097	1 pce	10k	CF 5% 0603					
0 R 85	57.60.1151	1 pce	150R	MF, 1%, 0204, E24					
0 R 86	57.69.1097	1 pce	10k	CF 5% 0603					

End of List

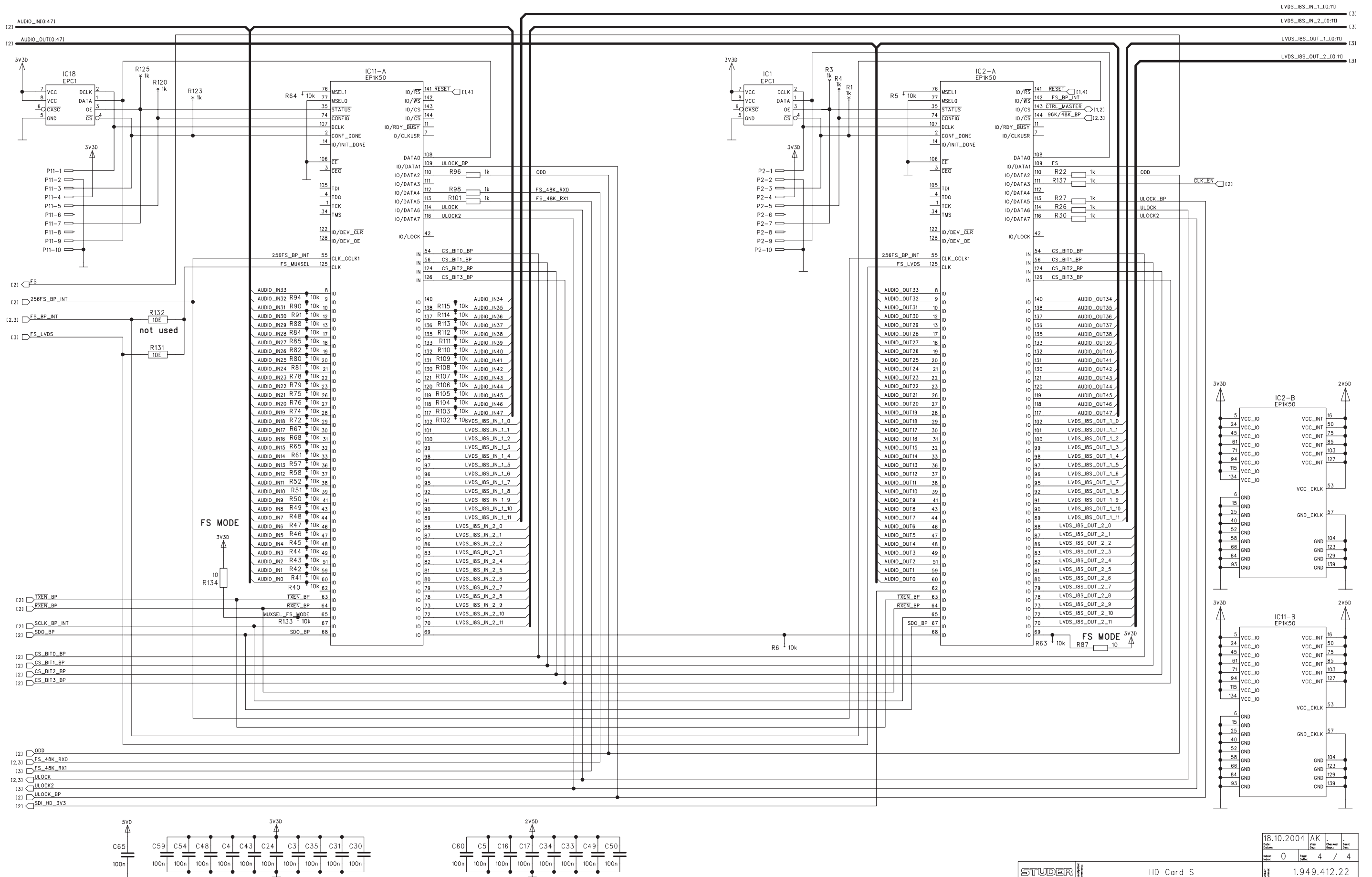
Comments:





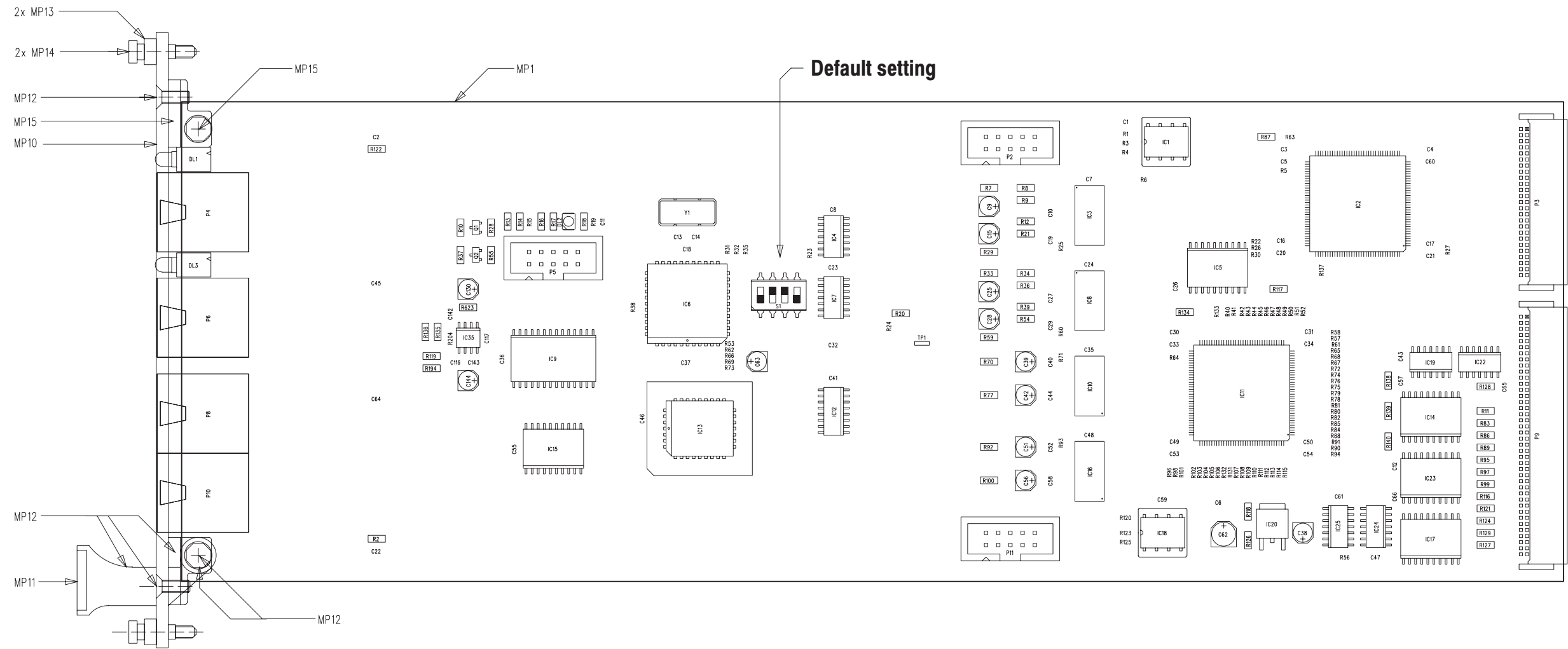


HD Card S 1.949.412.24 (2)



18.10.2004 AK		Page	4 / 4
Input	0	Page	4 / 4
Output		Page	4 / 4
1.949.412.22			

HD Card S 1.949.412.24 (2)



HD Card S 1.949.412.24 (2)

Idx. Pos.	Part No.	Qty.	Type/Val.	Description
0	C 1	59.60.3337	1 pce 100n	CER 50V, 10%, X7R, 0805
0	C 2	not used	1 pce 100n	CER 50V, 10%, X7R, 0805
0	C 3	59.60.3337	1 pce 100n	CER 50V, 10%, X7R, 0805
0	C 4	59.60.3337	1 pce 100n	CER 50V, 10%, X7R, 0805
0	C 5	59.60.3337	1 pce 100n	CER 50V, 10%, X7R, 0805
0	C 6	59.60.3337	1 pce 100n	CER 50V, 10%, X7R, 0805
0	C 7	59.60.3337	1 pce 100n	CER 50V, 10%, X7R, 0805
0	C 8	59.60.3337	1 pce 100n	CER 50V, 10%, X7R, 0805
0	C 9	59.68.0025	1 pce 22u	EL 6V, 4.0*5.7
0	C 10	59.60.3337	1 pce 100n	CER 50V, 10%, X7R, 0805
0	C 11	59.60.2373	1 pce 1n0	CER 50V, 5%, COG, 0805
0	C 12	59.60.3337	1 pce 100n	CER 50V, 10%, X7R, 0805
2	C 13	59.60.2235	1 pce 27p	CER 50V, 5%, COG, 0603
2	C 14	59.60.2235	1 pce 27p	CER 50V, 5%, COG, 0603
0	C 15	59.68.0025	1 pce 22u	EL 6V, 4.0*5.7
0	C 16	59.60.3337	1 pce 100n	CER 50V, 10%, X7R, 0805
0	C 17	59.60.3337	1 pce 100n	CER 50V, 10%, X7R, 0805
0	C 18	59.60.3337	1 pce 100n	CER 50V, 10%, X7R, 0805
0	C 19	59.60.3337	1 pce 100n	CER 50V, 10%, X7R, 0805
0	C 20	59.60.3337	1 pce 100n	CER 50V, 10%, X7R, 0805
0	C 21	59.60.3337	1 pce 100n	CER 50V, 10%, X7R, 0805
0	C 22	not used	1 pce 100n	CER 50V, 10%, X7R, 0805
0	C 23	59.60.3337	1 pce 100n	CER 50V, 10%, X7R, 0805
0	C 24	59.60.3337	1 pce 100n	CER 50V, 10%, X7R, 0805
0	C 25	59.68.0025	1 pce 22u	EL 6V, 4.0*5.7
0	C 26	59.60.3337	1 pce 100n	CER 50V, 10%, X7R, 0805
0	C 27	59.60.3337	1 pce 100n	CER 50V, 10%, X7R, 0805
0	C 28	59.68.0025	1 pce 22u	EL 6V, 4.0*5.7
0	C 29	59.60.3337	1 pce 100n	CER 50V, 10%, X7R, 0805
0	C 30	59.60.3337	1 pce 100n	CER 50V, 10%, X7R, 0805
0	C 31	59.60.3337	1 pce 100n	CER 50V, 10%, X7R, 0805
0	C 32	59.60.3337	1 pce 100n	CER 50V, 10%, X7R, 0805
0	C 33	59.60.3337	1 pce 100n	CER 50V, 10%, X7R, 0805
0	C 34	59.60.3337	1 pce 100n	CER 50V, 10%, X7R, 0805
0	C 35	59.60.3337	1 pce 100n	CER 50V, 10%, X7R, 0805
0	C 36	59.60.3337	1 pce 100n	CER 50V, 10%, X7R, 0805
0	C 37	59.60.3337	1 pce 100n	CER 50V, 10%, X7R, 0805
0	C 38	59.68.0065	1 pce 10u	EL 16V, 4.0*5.7
0	C 39	59.68.0025	1 pce 22u	EL 6V, 4.0*5.7
0	C 40	59.60.3337	1 pce 100n	CER 50V, 10%, X7R, 0805
0	C 41	59.60.3337	1 pce 100n	CER 50V, 10%, X7R, 0805
0	C 42	59.68.0025	1 pce 22u	EL 6V, 4.0*5.7
0	C 43	59.60.3337	1 pce 100n	CER 50V, 10%, X7R, 0805
0	C 44	59.60.3337	1 pce 100n	CER 50V, 10%, X7R, 0805
0	C 45	not used	1 pce 100n	CER 50V, 10%, X7R, 0805
0	C 46	59.60.3337	1 pce 100n	CER 50V, 10%, X7R, 0805
0	C 47	59.60.3337	1 pce 100n	CER 50V, 10%, X7R, 0805
0	C 48	59.60.3337	1 pce 100n	CER 50V, 10%, X7R, 0805
0	C 49	59.60.3337	1 pce 100n	CER 50V, 10%, X7R, 0805
0	C 50	59.60.3337	1 pce 100n	CER 50V, 10%, X7R, 0805
0	C 51	59.68.0025	1 pce 22u	EL 6V, 4.0*5.7
0	C 52	59.60.3337	1 pce 100n	CER 50V, 10%, X7R, 0805
0	C 53	59.60.3337	1 pce 100n	CER 50V, 10%, X7R, 0805
0	C 54	59.60.3337	1 pce 100n	CER 50V, 10%, X7R, 0805
0	C 55	59.60.3337	1 pce 100n	CER 50V, 10%, X7R, 0805
0	C 56	59.68.0025	1 pce 22u	EL 6V, 4.0*5.7
0	C 57	59.60.3337	1 pce 100n	CER 50V, 10%, X7R, 0805
0	C 58	59.60.3337	1 pce 100n	CER 50V, 10%, X7R, 0805
0	C 59	59.60.3337	1 pce 100n	CER 50V, 10%, X7R, 0805
0	C 60	59.60.3337	1 pce 100n	CER 50V, 10%, X7R, 0805
0	C 61	59.60.3337	1 pce 100n	CER 50V, 10%, X7R, 0805
0	C 62	59.68.0027	1 pce 47u	EL 6V, 5.0*5.7
0	C 63	59.68.0065	1 pce 10u	EL 16V, 4.0*5.7
0	C 64	not used	1 pce 100n	CER 50V, 10%, X7R, 0805
0	C 65	59.60.3337	1 pce 100n	CER 50V, 10%, X7R, 0805
0	C 66	59.60.3337	1 pce 100n	CER 50V, 10%, X7R, 0805
0	C 116	59.60.2373	1 pce 1n0	CER 50V, 5%, COG, 0805
0	C 117	59.60.3337	1 pce 100n	CER 50V, 10%, X7R, 0805
0	C 130	59.68.0065	1 pce 10u	EL 16V, 4.0*5.7
0	C 142	59.60.2373	1 pce 1n0	CER 50V, 5%, COG, 0805
0	C 143	59.60.3337	1 pce 100n	CER 50V, 10%, X7R, 0805
0	C 144	59.68.0065	1 pce 10u	EL 16V, 4.0*5.7
0	DL 1	50.04.2751	1 pce gm	LED mit Halter
0	DL 2	not used	1 pce gm	SMD LED 2.7*3.5
0	DL 3	50.04.2751	1 pce gm	LED mit Halter
0	IC 1	1.949.965.26	1 pce	SW410 Selector (50.63.4298)
0	IC 2	50.63.4213	1 pce	PLD 50 000 gates
0	IC 3	50.62.0465	1 pce	DS90CR216A LVDS 21Bit Receiver
0	IC 4	50.62.1008	1 pce	74HC 08 Quad 2input AND
0	IC 5	50.62.1244	1 pce	74HC244 Octal buffer line driver/recei
0	IC 6	1.949.961.20	1 pce	SW410 for merger (50.63.0010)
0	IC 7	50.62.3002	1 pce	74HCT 02 Quad 2input NOR
0	IC 8	50.62.0465	1 pce	DS90CR216A LVDS 21Bit Receiver
0	IC 9	50.63.1503	1 pce	62256 SRAM 32K*8, 100ns
0	IC 10	50.62.0466	1 pce	DS90CR215 LVDS 21Bit Transmitter
0	IC 11	50.63.4213	1 pce	EP1K50 PLD 50 000 gates
0	IC 12	50.62.1595	1 pce	74HC595 8bit shift/output register
0	IC 13	50.63.1303	1 pce	29F010 Flash Memory 128K*8
0	IC 14	50.65.0244	1 pce	74LVC244 Octal buffer/line driver 3.3V
0	IC 15	50.62.1573	1 pce	74HC573 Octal D-type latch
0	IC 16	50.62.0466	1 pce	DS90CR215 LVDS 21Bit Transmitter
0	IC 17	50.65.0244	1 pce	74LVC244 Octal buffer/line driver 3.3V
0	IC 18	1.949.966.26	1 pce	SW410 Mux (50.63.4298)
0	IC 19	50.65.0002	1 pce	74LVC02 Quad 2inp NOR 3.3V
0	IC 20	50.61.2003	1 pce	LM1117 Lin Reg 800mA adj
0	IC 22	50.62.3002	1 pce	74HCT 02 Quad 2input NOR
0	IC 23	50.65.0244	1 pce	74LVC244 Octal buffer/line driver 3.3V
0	IC 24	not used	1 pce	74LVC02 Quad 2inp NOR 3.3V
0	IC 25	50.65.0002	1 pce	74LVC02 Quad 2inp NOR 3.3V
0	IC 35	50.63.2001	1 pce	7705B Reset Generator
0	MP 1	1.949.412.12	1 pce	HD CARD PCB
0	MP 2	1.949.412.10	1 pce	Nr. ETIKETTE 5x20

Idx. Pos.	Part No.	Qty.	Type/Val.	Description
0	MP 3	43.01.0108	1 pce	Label ESE-Warnschild
2	MP 4	43.10.0111	1 pce	B Revisions-Etikette 5mm h/blau
0	MP 10	1.949.412.01	1 pce	FRONTPLATTE HD CARD,S
0	MP 11	1.940.600.05	1 pce	GRIFFEINLAGE 4TE
0	MP 12	49.02.0514	1 pce	4TE Frontplatten-Griffsatz
0	MP 13	49.02.0521	2 pcs	Metal-Buchse (Rack)
0	MP 14	49.02.0524	2 pcs	M2.5*12 Schraube spezial
0	MP 15	49.02.0522	1 pce	Kartenhalter mit Z-Schr
0	P 2	not used	1 pce	10p 1/20" Au, gerade, ohne Verrieg
0	P 3	54.60.0110	1 pce	50p SMC Stecker winkel
0	P 4	54.20.1001	1 pce	8p RJ 45 Modular Jack side entry
0	P 5	not used	1 pce	10p 1/20" Au, gerade, ohne Verrieg
0	P 6	54.20.1001	1 pce	8p RJ 45 Modular Jack side entry
0	P 8	54.20.1001	1 pce	8p RJ 45 Modular Jack side entry
0	P 9	54.60.0111	1 pce	80p SMC Stecker winkel
0	P 10	54.20.1001	1 pce	8p RJ 45 Modular Jack side entry
0	P 11	not used	1 pce	10p 1/20" Au, gerade, ohne Verrieg
0	Q 1	50.60.1002	1 pce	BC860C PNP 45V 100mA SOT 23
0	Q 2	50.60.1002	1 pce	BC860C PNP 45V 100mA SOT 23
0	R 1	57.69.1073	1 pce	1k0 CF 5% 0603
0	R 2	57.60.1105	1 pce	1M0 MF, 1%, 0204, E24
0	R 3	57.69.1073	1 pce	1k0 CF 5% 0603
0	R 4	57.69.1073	1 pce	1k0 CF 5% 0603
0	R 5	57.69.1097	1 pce	10k CF 5% 0603
0	R 6	57.69.1097	1 pce	10k CF 5% 0603
0	R 7	57.60.1100	1 pce	10R MF, 1%, 0204, E24
0	R 8	57.60.1101	1 pce	100R MF, 1%, 0204, E24
0	R 9	57.60.1101	1 pce	100R MF, 1%, 0204, E24
0	R 10	57.60.1121	1 pce	120R MF, 1%, 0204, E24
0	R 11	57.60.1100	1 pce	10R MF, 1%, 0204, E24
0	R 12	57.60.1101	1 pce	100R MF, 1%, 0204, E24
0	R 13	57.60.1100	1 pce	10R MF, 1%, 0204, E24
0	R 14	57.60.1101	1 pce	100R MF, 1%, 0204, E24
0	R 15	57.69.1097	1 pce	10k CF 5% 0603
0	R 16	57.60.1101	1 pce	100R MF, 1%, 0204, E24
0	R 17	not used	1 pce	820R MF, 1%, 0204, E24
0	R 18	57.60.1101	1 pce	100R MF, 1%, 0204, E24
0	R 19	57.69.1097	1 pce	10k CF 5% 0603
0	R 20	57.60.1100	1 pce	10R MF, 1%, 0204, E24
0	R 21	57.60.1101	1 pce	100R MF, 1%, 0204, E24
0	R 22	57.69.1073	1 pce	1k0 CF 5% 0603
0	R 23	57.69.1097	1 pce	10k CF 5% 0603
0	R 24	57.69.1097	1 pce	10k CF 5% 0603
0	R 25	57.69.1073	1 pce	1k0 CF 5% 0603
0	R 26	57.69.1073	1 pce	1k0 CF 5% 0603
0	R 27	57.69.1073	1 pce	1k0 CF 5% 0603
0	R 28	57.60.1152	1 pce	1k5 MF, 1%, 0204, E24
0	R 29	57.60.1100	1 pce	10R MF, 1%, 0204, E24
0	R 30	57.69.1073	1 pce	1k0 CF 5% 0603
0	R 31	57.69.1097	1 pce	10k CF 5% 0603
0	R 32	57.69.1097	1 pce	10k CF 5% 0603
0	R 33	57.60.1100	1 pce	10R MF, 1%, 0204, E24
0	R 34	57.60.1101	1 pce	100R MF, 1%, 0204, E24
0	R 35	57.69.1097	1 pce	10k CF 5% 0603
0	R 36	57.60.1101	1 pce	100R MF, 1%, 0204, E24
0	R 37	57.60.1121	1 pce	120R MF, 1%, 0204, E24
0	R 38	57.69.1097	1 pce	10k CF 5% 0603
0	R 39	57.60.1101	1 pce	100R MF, 1%, 0204, E24
0	R 40	57.69.1097	1 pce	10k CF 5% 0603
0	R 41	57.69.1097	1 pce	10k CF 5% 0603
0	R 42	57.69.1097	1 pce	10k CF 5% 0603
0	R 43	57.69.1097	1 pce	10k CF 5% 0603
0	R 44	57.69.1097	1 pce	10k CF 5% 0603
0	R 45	57.69.1097	1 pce	10k CF 5% 0603
0	R 46	57.69.1097	1 pce	10k CF 5% 0603
0	R 47	57.69.1097	1 pce	10k CF 5% 0603
0	R 48	57.69.1097	1 pce	10k CF 5% 0603
0	R 49	57.69.1097	1 pce	10k CF 5% 0603
0	R 50	57.69.1097	1 pce	10k CF 5% 0603
0	R 51	57.69.1097	1 pce	10k CF 5% 0603
0	R 52	57.69.1097	1 pce	10k CF 5% 0603
0	R 53	57.69.1097	1 pce	10k CF 5% 0603
0	R 54	57.60.1101	1 pce	100R MF, 1%, 0204, E24
0	R 55	57.60.1152	1 pce	1k5 MF, 1%, 0204, E24
0	R 56	57.69.1073	1 pce	1k0 CF 5% 0603
0	R 57	57.69.1097	1 pce	10k CF 5% 0603
0	R 58	57.69.1097	1 pce	10k CF 5% 0603
0	R 59	57.60.1100	1 pce	10R MF, 1%, 0204, E24
0	R 60	57.69.1073	1 pce	1k0 CF 5% 0603
0	R 61	57.69.1097	1 pce	10k CF 5% 0603
0	R 62	57.69.1097	1 pce	10k CF 5% 0603
0	R 63	57.69.1097	1 pce	10k CF 5% 0603
0	R 64	57.69.1097	1 pce	10k CF 5% 0603
0	R 65	57.69.1097	1 pce	10k CF 5% 0603
0	R 66	57.69.1097	1 pce	10k CF 5% 0603
0	R 67	57.69.1097	1 pce	10k CF 5% 0603
0	R 68	57.69.1097	1 pce	10k CF 5% 0603

HD Card S 1.949.412.24 (2)

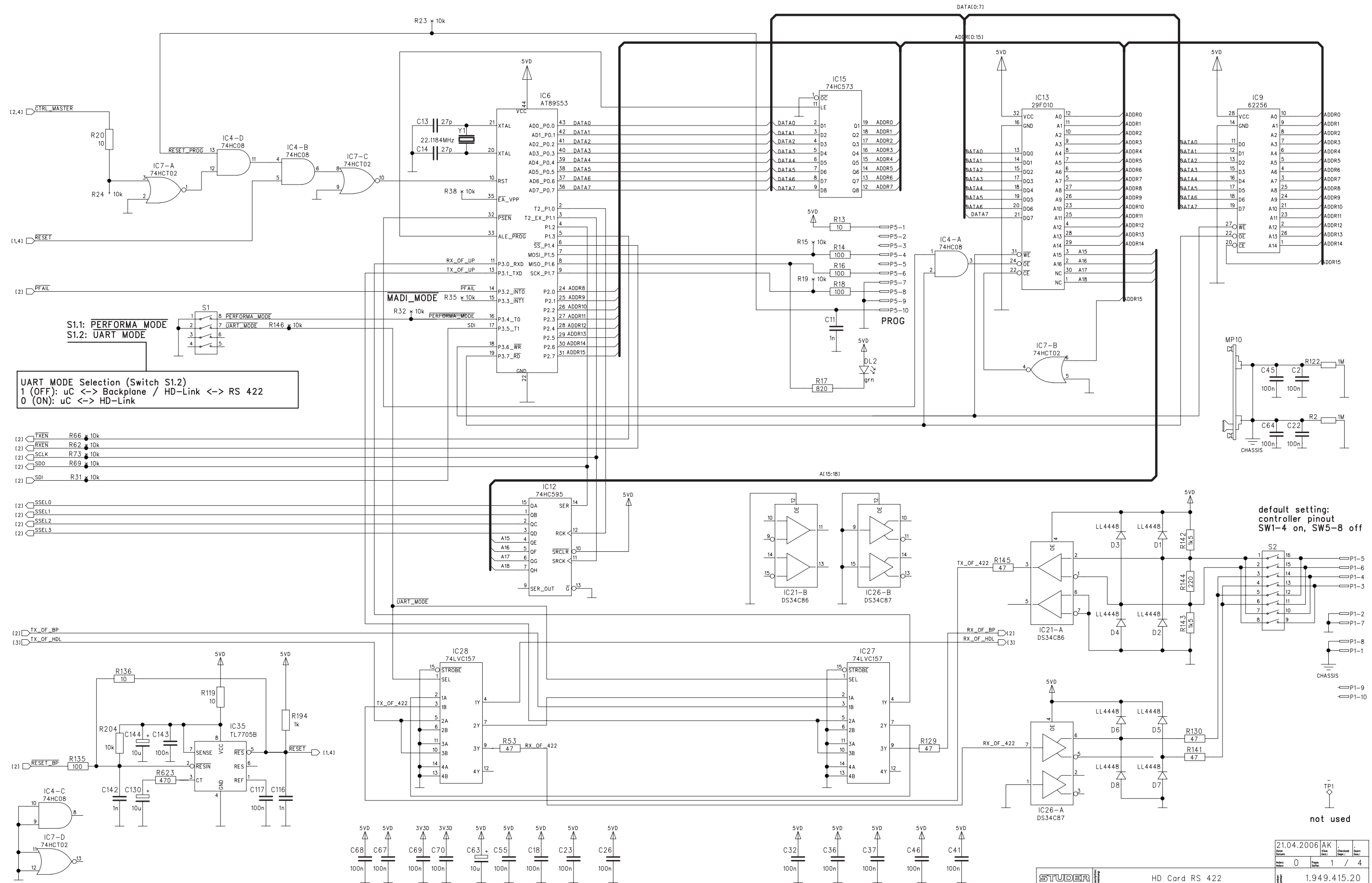
Idx. Pos.	Part No.	Qty.	Type/Val.	Description	
0	R 85	57.69.1097	1 pce	10k	CF 5% 0603
0	R 86	57.60.1100	1 pce	10R	MF, 1%, 0204, E24
0	R 87		not used	1 pce	10R
0	R 88	57.69.1097	1 pce	10k	CF 5% 0603
0	R 89	57.60.1100	1 pce	10R	MF, 1%, 0204, E24
0	R 90	57.69.1097	1 pce	10k	CF 5% 0603
0	R 91	57.69.1097	1 pce	10k	CF 5% 0603
0	R 92	57.60.1100	1 pce	10R	MF, 1%, 0204, E24
0	R 93	57.69.1073	1 pce	1k0	CF 5% 0603
0	R 94	57.69.1097	1 pce	10k	CF 5% 0603
0	R 95	57.60.1100	1 pce	10R	MF, 1%, 0204, E24
0	R 96	57.69.1073	1 pce	1k0	CF 5% 0603
0	R 97	57.60.1100	1 pce	10R	MF, 1%, 0204, E24
0	R 98	57.69.1073	1 pce	1k0	CF 5% 0603
0	R 99	57.60.1100	1 pce	10R	MF, 1%, 0204, E24
0	R 100	57.60.1100	1 pce	10R	MF, 1%, 0204, E24
0	R 101	57.69.1073	1 pce	1k0	CF 5% 0603
0	R 102	57.69.1097	1 pce	10k	CF 5% 0603
0	R 103	57.69.1097	1 pce	10k	CF 5% 0603
0	R 104	57.69.1097	1 pce	10k	CF 5% 0603
0	R 105	57.69.1097	1 pce	10k	CF 5% 0603
0	R 106	57.69.1097	1 pce	10k	CF 5% 0603
0	R 107	57.69.1097	1 pce	10k	CF 5% 0603
0	R 108	57.69.1097	1 pce	10k	CF 5% 0603
0	R 109	57.69.1097	1 pce	10k	CF 5% 0603
0	R 110	57.69.1097	1 pce	10k	CF 5% 0603
0	R 111	57.69.1097	1 pce	10k	CF 5% 0603
0	R 112	57.69.1097	1 pce	10k	CF 5% 0603
0	R 113	57.69.1097	1 pce	10k	CF 5% 0603
0	R 114	57.69.1097	1 pce	10k	CF 5% 0603
0	R 115	57.69.1097	1 pce	10k	CF 5% 0603
0	R 116	57.60.1100	1 pce	10R	MF, 1%, 0204, E24
0	R 117	57.60.1100	1 pce	10R	MF, 1%, 0204, E24
0	R 118	57.60.1471	1 pce	470R	MF, 1%, 0204, E24
0	R 119	57.60.1100	1 pce	10R	MF, 1%, 0204, E24
0	R 120	57.69.1073	1 pce	1k0	CF 5% 0603
0	R 121	57.60.1100	1 pce	10R	MF, 1%, 0204, E24
0	R 122	57.60.1105	1 pce	1M0	MF, 1%, 0204, E24
0	R 123	57.69.1073	1 pce	1k0	CF 5% 0603
0	R 124	57.60.1100	1 pce	10R	MF, 1%, 0204, E24
0	R 125	57.69.1073	1 pce	1k0	CF 5% 0603
0	R 126	57.60.1471	1 pce	470R	MF, 1%, 0204, E24
0	R 127	57.60.1100	1 pce	10R	MF, 1%, 0204, E24
0	R 128	57.60.1470	1 pce	47R	MF, 1%, 0204, E24
0	R 129	57.60.1101	1 pce	100R	MF, 1%, 0204, E24
0	R 131	57.69.1025	1 pce	10R	CF 5% 0603
0	R 132		not used	1 pce	10R
0	R 133	57.69.1097	1 pce	10k	CF 5% 0603
0	R 134		not used	1 pce	10R
0	R 135	57.60.1101	1 pce	100R	MF, 1%, 0204, E24
0	R 136		not used	1 pce	10R
0	R 137	57.69.1073	1 pce	1k0	CF 5% 0603
0	R 138	57.60.1100	1 pce	10R	MF, 1%, 0204, E24
0	R 139	57.60.1100	1 pce	10R	MF, 1%, 0204, E24
0	R 140	57.60.1100	1 pce	10R	MF, 1%, 0204, E24
0	R 194	57.60.1102	1 pce	1k0	MF, 1%, 0204, E24
0	R 204	57.69.1097	1 pce	10k	CF 5% 0603
0	R 623	57.60.1471	1 pce	470R	MF, 1%, 0204, E24
0	S 1	55.60.0104	1 pce	4p	SMD DIL-Switch
0	TP 1		not used	1 pce	2.8*0.8
0	XIC 1	53.03.0166	1 pce	8p	DIL-socket 0.3"
0	XIC 13	53.03.2232	1 pce	32p	PLCC-Socket
0	XIC 18	53.03.0166	1 pce	8p	DIL-socket 0.3"
0	Y 1	89.60.1004	1 pce	22.1184MHz	SMD Quartz

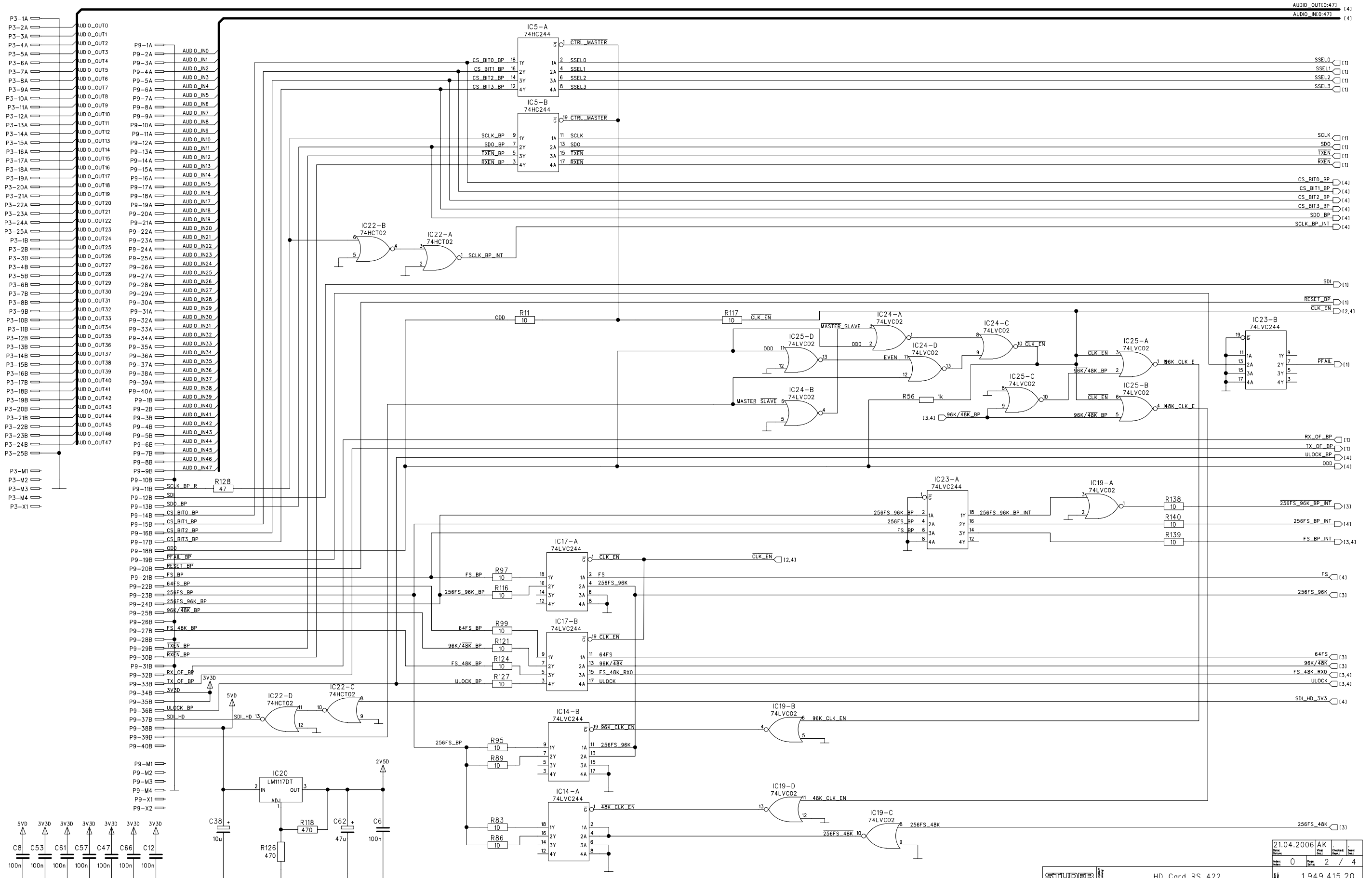
Idx. Pos.	Part No.	Qty.	Type/Val.	Description
-----------	----------	------	-----------	-------------

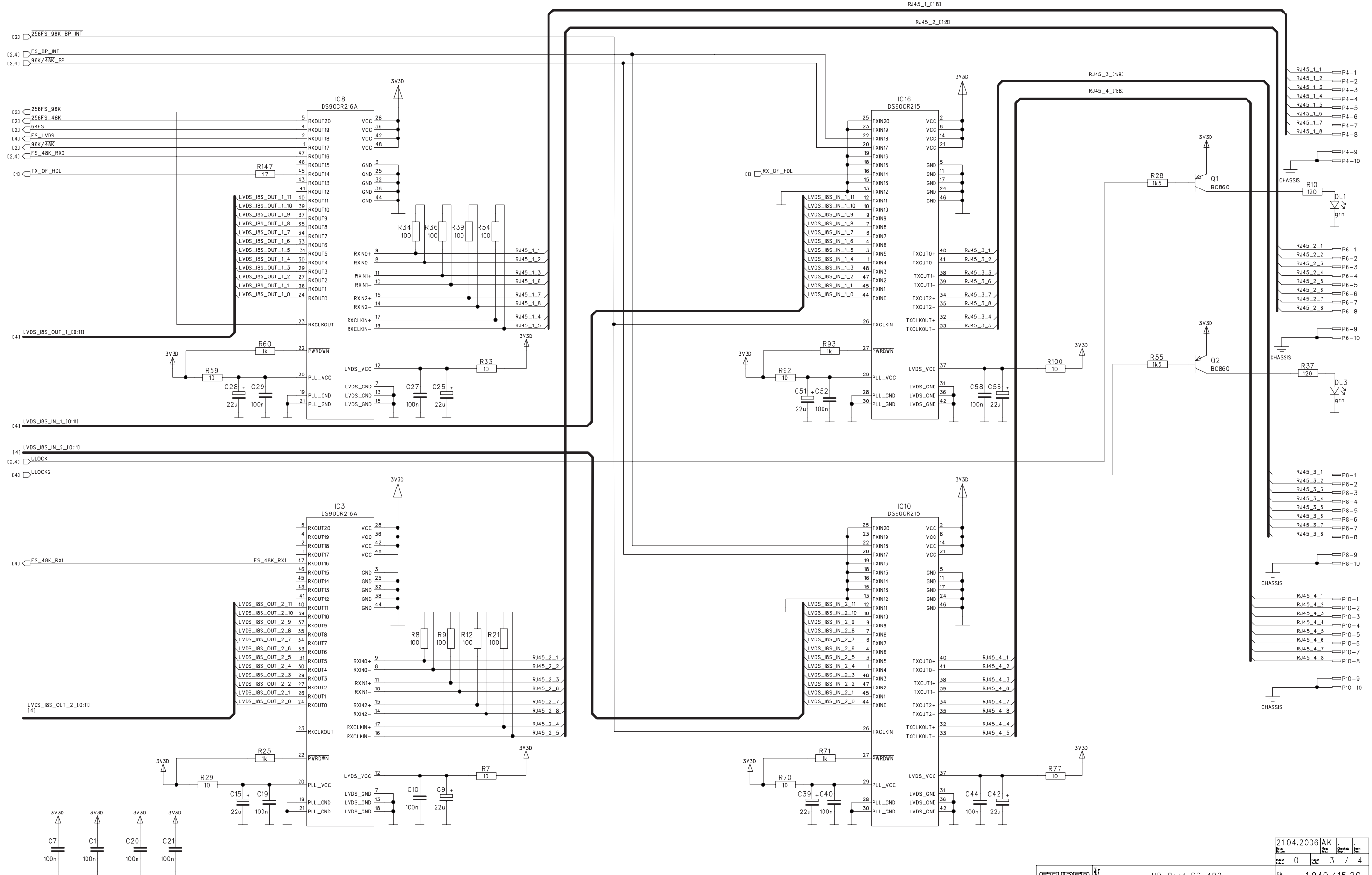
End of List

Comments:

- [24] 07.06.06 Th
- (01) 05.09.06 C13, C14 not used
- (02) 08.11.06 C13, C14 used; label B

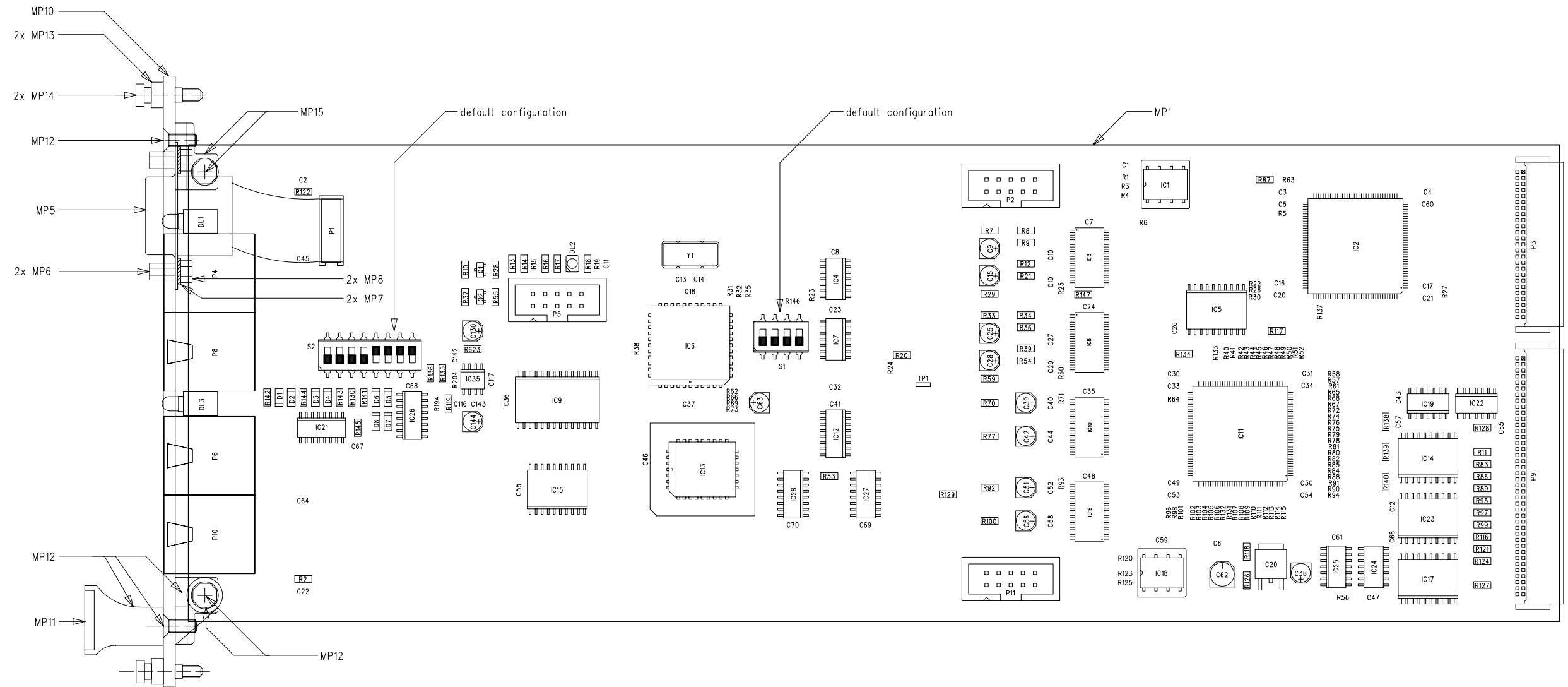








HD RS422 Card 1.949.415.22 (1)



HD Card RS422 1.949.415.22 (1)

Idx. Pos.	Part No.	Qty.	Type/Val.	Description
0 C 1	59.60.3337	1 pce	100n	CER 50V, 10%, X7R, 0805
0 C 2	not used	1 pce	100n	CER 50V, 10%, X7R, 0805
0 C 3	59.60.3337	1 pce	100n	CER 50V, 10%, X7R, 0805
0 C 4	59.60.3337	1 pce	100n	CER 50V, 10%, X7R, 0805
0 C 5	59.60.3337	1 pce	100n	CER 50V, 10%, X7R, 0805
0 C 6	59.60.3337	1 pce	100n	CER 50V, 10%, X7R, 0805
0 C 7	59.60.3337	1 pce	100n	CER 50V, 10%, X7R, 0805
0 C 8	59.60.3337	1 pce	100n	CER 50V, 10%, X7R, 0805
0 C 9	59.68.0025	1 pce	22u	EL 6V, 4.0*5.7
0 C 10	59.60.3337	1 pce	100n	CER 50V, 10%, X7R, 0805
0 C 11	59.60.2373	1 pce	1n0	CER 50V, 5%, COG, 0805
0 C 12	59.60.3337	1 pce	100n	CER 50V, 10%, X7R, 0805
0 C 13	59.60.2235	1 pce	27p	CER 50V, 5%, COG, 0603
0 C 14	59.60.2235	1 pce	27p	CER 50V, 5%, COG, 0603
0 C 15	59.68.0025	1 pce	22u	EL 6V, 4.0*5.7
0 C 16	59.60.3337	1 pce	100n	CER 50V, 10%, X7R, 0805
0 C 17	59.60.3337	1 pce	100n	CER 50V, 10%, X7R, 0805
0 C 18	59.60.3337	1 pce	100n	CER 50V, 10%, X7R, 0805
0 C 19	59.60.3337	1 pce	100n	CER 50V, 10%, X7R, 0805
0 C 20	59.60.3337	1 pce	100n	CER 50V, 10%, X7R, 0805
0 C 21	59.60.3337	1 pce	100n	CER 50V, 10%, X7R, 0805
0 C 22	not used	1 pce	100n	CER 50V, 10%, X7R, 0805
0 C 23	59.60.3337	1 pce	100n	CER 50V, 10%, X7R, 0805
0 C 24	59.60.3337	1 pce	100n	CER 50V, 10%, X7R, 0805
0 C 25	59.68.0025	1 pce	22u	EL 6V, 4.0*5.7
0 C 26	59.60.3337	1 pce	100n	CER 50V, 10%, X7R, 0805
0 C 27	59.60.3337	1 pce	100n	CER 50V, 10%, X7R, 0805
0 C 28	59.68.0025	1 pce	22u	EL 6V, 4.0*5.7
0 C 29	59.60.3337	1 pce	100n	CER 50V, 10%, X7R, 0805
0 C 30	59.60.3337	1 pce	100n	CER 50V, 10%, X7R, 0805
0 C 31	59.60.3337	1 pce	100n	CER 50V, 10%, X7R, 0805
0 C 32	59.60.3337	1 pce	100n	CER 50V, 10%, X7R, 0805
0 C 33	59.60.3337	1 pce	100n	CER 50V, 10%, X7R, 0805
0 C 34	59.60.3337	1 pce	100n	CER 50V, 10%, X7R, 0805
0 C 35	59.60.3337	1 pce	100n	CER 50V, 10%, X7R, 0805
0 C 36	59.60.3337	1 pce	100n	CER 50V, 10%, X7R, 0805
0 C 37	59.60.3337	1 pce	100n	CER 50V, 10%, X7R, 0805
0 C 38	59.68.0065	1 pce	10u	EL 16V, 4.0*5.7
0 C 39	59.68.0025	1 pce	22u	EL 6V, 4.0*5.7
0 C 40	59.60.3337	1 pce	100n	CER 50V, 10%, X7R, 0805
0 C 41	59.60.3337	1 pce	100n	CER 50V, 10%, X7R, 0805
0 C 42	59.68.0025	1 pce	22u	EL 6V, 4.0*5.7
0 C 43	59.60.3337	1 pce	100n	CER 50V, 10%, X7R, 0805
0 C 44	59.60.3337	1 pce	100n	CER 50V, 10%, X7R, 0805
0 C 45	not used	1 pce	100n	CER 50V, 10%, X7R, 0805
0 C 46	59.60.3337	1 pce	100n	CER 50V, 10%, X7R, 0805
0 C 47	59.60.3337	1 pce	100n	CER 50V, 10%, X7R, 0805
0 C 48	59.60.3337	1 pce	100n	CER 50V, 10%, X7R, 0805
0 C 49	59.60.3337	1 pce	100n	CER 50V, 10%, X7R, 0805
0 C 50	59.60.3337	1 pce	100n	CER 50V, 10%, X7R, 0805
0 C 51	59.68.0025	1 pce	22u	EL 6V, 4.0*5.7
0 C 52	59.60.3337	1 pce	100n	CER 50V, 10%, X7R, 0805
0 C 53	59.60.3337	1 pce	100n	CER 50V, 10%, X7R, 0805
0 C 54	59.60.3337	1 pce	100n	CER 50V, 10%, X7R, 0805
0 C 55	59.60.3337	1 pce	100n	CER 50V, 10%, X7R, 0805
0 C 56	59.68.0025	1 pce	22u	EL 6V, 4.0*5.7
0 C 57	59.60.3337	1 pce	100n	CER 50V, 10%, X7R, 0805
0 C 58	59.60.3337	1 pce	100n	CER 50V, 10%, X7R, 0805
0 C 59	59.60.3337	1 pce	100n	CER 50V, 10%, X7R, 0805
0 C 60	59.60.3337	1 pce	100n	CER 50V, 10%, X7R, 0805
0 C 61	59.60.3337	1 pce	100n	CER 50V, 10%, X7R, 0805
0 C 62	59.68.0027	1 pce	47u	EL 6V, 5.0*5.7
0 C 63	59.68.0065	1 pce	10u	EL 16V, 4.0*5.7
0 C 64	not used	1 pce	100n	CER 50V, 10%, X7R, 0805
0 C 65	59.60.3337	1 pce	100n	CER 50V, 10%, X7R, 0805
0 C 66	59.60.3337	1 pce	100n	CER 50V, 10%, X7R, 0805
0 C 67	59.60.3337	1 pce	100n	CER 50V, 10%, X7R, 0805
0 C 68	59.60.3337	1 pce	100n	CER 50V, 10%, X7R, 0805
0 C 69	59.60.3337	1 pce	100n	CER 50V, 10%, X7R, 0805
0 C 70	59.60.3337	1 pce	100n	CER 50V, 10%, X7R, 0805
0 C 116	59.60.2373	1 pce	1n0	CER 50V, 5%, COG, 0805
0 C 117	59.60.3337	1 pce	100n	CER 50V, 10%, X7R, 0805
0 C 130	59.68.0065	1 pce	10u	EL 16V, 4.0*5.7
0 C 142	59.60.2373	1 pce	1n0	CER 50V, 5%, COG, 0805
0 C 143	59.60.3337	1 pce	100n	CER 50V, 10%, X7R, 0805
0 C 144	59.68.0065	1 pce	10u	EL 16V, 4.0*5.7
0 D 1	50.60.8001	1 pce	4448	200mA 75V 4ns SOD 80
0 D 2	50.60.8001	1 pce	4448	200mA 75V 4ns SOD 80
0 D 3	50.60.8001	1 pce	4448	200mA 75V 4ns SOD 80
0 D 4	50.60.8001	1 pce	4448	200mA 75V 4ns SOD 80
0 D 5	50.60.8001	1 pce	4448	200mA 75V 4ns SOD 80
0 D 6	50.60.8001	1 pce	4448	200mA 75V 4ns SOD 80
0 D 7	50.60.8001	1 pce	4448	200mA 75V 4ns SOD 80
0 D 8	50.60.8001	1 pce	4448	200mA 75V 4ns SOD 80
0 DL 1	50.04.2751	1 pce	gm	LED mit Halter
0 DL 2	not used	1 pce	gm	SMD LED 2.7*3.5
0 DL 3	50.04.2751	1 pce	gm	LED mit Halter
0 IC 1	1.949.965.26	1 pce		SW410 Selector (50.63.4298)
0 IC 2	50.63.4213	1 pce		PLD 50 000 gates
0 IC 3	50.62.0465	1 pce		LVDS 21Bit Receiver
0 IC 4	50.62.1008	1 pce		74HC 08
0 IC 5	50.62.1244	1 pce		74HC244
0 IC 6	1.949.961.20	1 pce		SW410 for merger (50.63.0010)
0 IC 7	50.62.3002	1 pce		74HCT 02
0 IC 8	50.62.0465	1 pce		LVDS 21Bit Receiver
0 IC 9	50.63.1503	1 pce		SRAM 32K*8, 100ns
0 IC 10	50.62.0466	1 pce		LVDS 21Bit Transmitter
0 IC 11	50.63.4213	1 pce		PLD 50 000 gates
0 IC 12	50.62.1595	1 pce		74HC595
0 IC 13	50.63.1303	1 pce		8bit shift/output register
0 IC 14	50.65.0244	1 pce		29F010
0 IC 15	50.62.1573	1 pce		Flash Memory 128K*8

Idx. Pos.	Part No.	Qty.	Type/Val.	Description
0 IC 16	50.62.0466	1 pce		DS90CR215
0 IC 17	50.65.0244	1 pce		74LVC244
0 IC 18	1.949.966.26	1 pce		SW410 Mux (50.63.4298)
0 IC 19	50.65.0002	1 pce		74LVC02
0 IC 20	50.61.2003	1 pce		LM1117
0 IC 21	50.62.0463	1 pce		DS34C86
0 IC 22	50.62.3002	1 pce		74HCT 02
0 IC 23	50.65.0244	1 pce		74LVC244
0 IC 24	not used	1 pce		74LVC02
0 IC 25	50.65.0002	1 pce		74LVC02
0 IC 26	50.62.0464	1 pce		DS34C87
0 IC 27	50.65.0157	1 pce		74LVC157
0 IC 28	50.65.0157	1 pce		74LVC157
0 IC 35	50.63.2001	1 pce		7705B
0 MP 1	1.949.415.11	1 pce		Reset Generator
0 MP 2	1.949.415.10	1 pce		HD CARD RS422 PCB
0 MP 3	43.01.0108	1 pce	Label	Nr. ETIKETTE 5x20
0 MP 5	1.023.388.31	1 pce		ESE-Warnschild
0 MP 6	54.13.0083	2 pcs	4.85mm	FLACHKABEL 10 POL. 0.05M
0 MP 7	24.16.2030	2 pcs	3.2/6.0	Boizen M3*7.9
0 MP 8	22.01.8030	2 pcs	M3	Fächerscheibe Form A
0 MP 10	1.949.415.02	1 pce		6kt-Mutter 0.5d St Zn bl
1 MP 11	1.940.600.06	1 pce		FRONTPLATTE HD LINK/RS422
0 MP 12	49.02.0514	1 pce	4TE	GRIFFEINLAGE 4TE SW
0 MP 13	49.02.0521	2 pcs		Frontplatten-Griffsatz
0 MP 14	49.02.0524	2 pcs	M2.5*12	Metal-Buchse (Rack)
0 MP 15	49.02.0522	1 pce		Schraube spezial
0 P 1	54.14.5510	1 pce	10p	Kartenhalter mit Z-Schr
0 P 2	not used	1 pce	10p	PCB-Buchse gerade
0 P 3	54.60.0110	1 pce	50p	1/20" Au, gerade, ohne Verrieg
0 P 4	54.20.1001	1 pce	8p	SMC Stecker winkel
0 P 5	not used	1 pce	10p	RJ 45 Modular Jack side entry
0 P 6	54.20.1001	1 pce	8p	1/20" Au, gerade, ohne Verrieg
0 P 8	54.20.1001	1 pce	8p	RJ 45 Modular Jack side entry
0 P 9	54.60.0111	1 pce	80p	RJ 45 Modular Jack side entry
0 P 10	54.20.1001	1 pce	8p	SMC Stecker winkel
0 P 11	not used	1 pce	10p	RJ 45 Modular Jack side entry
0 Q 1	50.60.1002	1 pce	BC860C	1/20" Au, gerade, ohne Verrieg
0 Q 2	50.60.1002	1 pce	BC860C	PNP 45V 100mA SOT 23
0 R 1	57.69.1073	1 pce	1k0	PNP 45V 100mA SOT 23
0 R 2	57.69.1105	1 pce	1M0	CF 5% 0603
0 R 3	57.69.1073	1 pce	1k0	MF, 1%, 0204, E24
0 R 4	57.69.1073	1 pce	1k0	CF 5% 0603
0 R 5	57.69.1097	1 pce	10k	CF 5% 0603
0 R 6	57.69.1097	1 pce	10k	CF 5% 0603
0 R 7	57.60.1100	1 pce	10R	MF, 1%, 0204, E24
0 R 8	57.60.1101	1 pce	100R	MF, 1%, 0204, E24
0 R 9	57.60.1101	1 pce	100R	MF, 1%, 0204, E24
0 R 10	57.60.1121	1 pce	120R	MF, 1%, 0204, E24
0 R 11	57.60.1100	1 pce	10R	MF, 1%, 0204, E24
0 R 12	57.60.1101	1 pce	100R	MF, 1%, 0204, E24
0 R 13	57.60.1100	1 pce	10R	MF, 1%, 0204, E24
0 R 14	57.60.1101	1 pce	100R	MF, 1%, 0204, E24
0 R 15	57.69.1097	1 pce	10k	CF 5% 0603
0 R 16	57.60.1101	1 pce	100R	MF, 1%, 0204, E24
0 R 17	not used	1 pce	820R	MF, 1%, 0204, E24
0 R 18	57.60.1101	1 pce	100R	MF, 1%, 0204, E24
0 R 19	57.69.1097	1 pce	10k	CF 5% 0603
0 R 20	57.60.1100	1 pce	10R	MF, 1%, 0204, E24
0 R 21	57.60.1101	1 pce	100R	MF, 1%, 0204, E24
0 R 22	57.69.1073	1 pce	1k0	CF 5% 0603
0 R 23	57.69.1097	1 pce	10k	CF 5% 0603
0 R 24	57.69.1097	1 pce	10k	CF 5% 0603
0 R 25	57.69.1073	1 pce	1k0	CF 5% 0603
0 R 26	57.69.1073	1 pce	1k0	CF 5% 0603
0 R 27	57.69.1073	1 pce	1k0	CF 5% 0603
0 R 28	57.60.1152	1 pce	1k5	MF, 1%, 0204, E24
0 R 29	57.60.1100	1 pce	10R	MF, 1%, 0204, E24
0 R 30	57.69.1073	1 pce	10k	CF 5% 0603
0 R 31	57.69.1097	1 pce	10k	CF 5% 0603
0 R 32	57.69.1097	1 pce	10k	CF 5% 0603
0 R 33	57.60.1100	1 pce	10R	MF, 1%, 0204, E24
0 R 34	57.60.1101	1 pce	100R	MF, 1%, 0204, E24
0 R 35	57.69.1097	1 pce	10k	CF 5% 0603
0 R 36	57.60.1101	1 pce	100R	MF, 1%, 0204, E24
0 R 37	57.60.1121	1 pce	120R	MF, 1%, 0204, E24
0 R 38	57.69.1097	1 pce	10k	CF 5% 0603
0 R 39	57.60.1101	1 pce	100R	MF, 1%, 0204, E24
0 R 40	57.69.1097	1 pce	10k	CF 5% 0603
0 R 41	57.69.1097	1 pce	10k	CF 5% 0603
0 R 42	57.69.1097	1 pce	10k	CF 5% 0603
0 R 43	57.69.1097	1 pce	10k	CF 5% 0603
0 R 44	57.69.1097	1 pce	10k	CF 5% 0603
0 R 45	57.69.1097	1 pce	10k	CF 5% 0603
0 R 46	57.69.1097	1 pce	10k	CF 5% 0603
0 R 47	57.69.1097	1 pce	10k	CF 5% 0603
0 R 48	57.69.1097	1 pce	10k	CF 5% 0603
0 R 49	57.69.1097	1 pce	10k	CF 5% 06

HD Card RS422 1.949.415.22 (1)

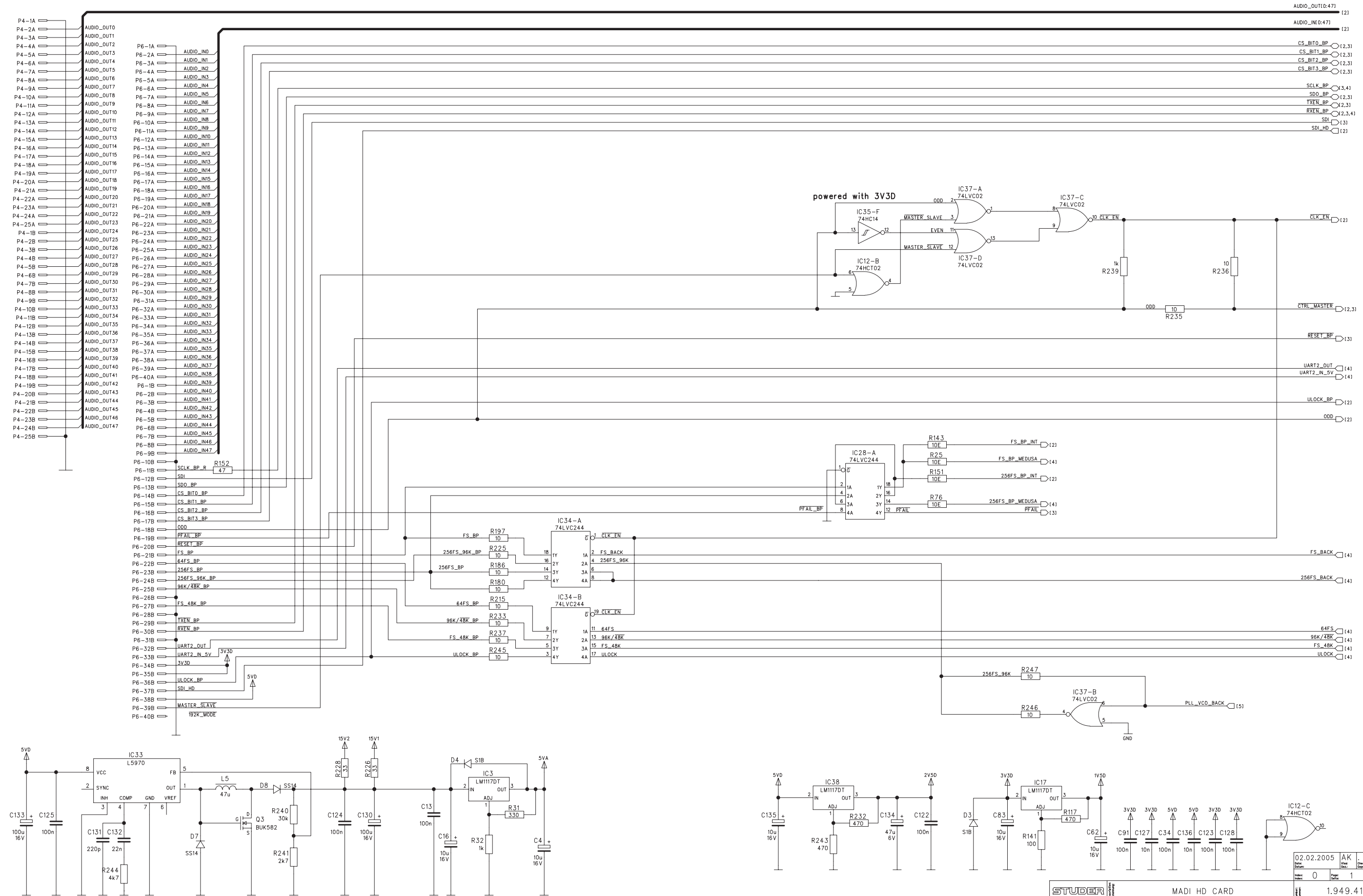
Idx. Pos.	Part No.	Qty.	Type/Val.	Description
0 R 65	57.69.1097	1 pce	10k	CF 5% 0603
0 R 66	57.69.1097	1 pce	10k	CF 5% 0603
0 R 67	57.69.1097	1 pce	10k	CF 5% 0603
0 R 68	57.69.1097	1 pce	10k	CF 5% 0603
0 R 69	57.69.1097	1 pce	10k	CF 5% 0603
0 R 70	57.60.1100	1 pce	10R	MF, 1%, 0204, E24
0 R 71	57.69.1073	1 pce	1k0	CF 5% 0603
0 R 72	57.69.1097	1 pce	10k	CF 5% 0603
0 R 73	57.69.1097	1 pce	10k	CF 5% 0603
0 R 74	57.69.1097	1 pce	10k	CF 5% 0603
0 R 75	57.69.1097	1 pce	10k	CF 5% 0603
0 R 76	57.69.1097	1 pce	10k	CF 5% 0603
0 R 77	57.60.1100	1 pce	10R	MF, 1%, 0204, E24
0 R 78	57.69.1097	1 pce	10k	CF 5% 0603
0 R 79	57.69.1097	1 pce	10k	CF 5% 0603
0 R 80	57.69.1097	1 pce	10k	CF 5% 0603
0 R 81	57.69.1097	1 pce	10k	CF 5% 0603
0 R 82	57.69.1097	1 pce	10k	CF 5% 0603
0 R 83	57.60.1100	1 pce	10R	MF, 1%, 0204, E24
0 R 84	57.69.1097	1 pce	10k	CF 5% 0603
0 R 85	57.69.1097	1 pce	10k	CF 5% 0603
0 R 86	57.60.1100	1 pce	10R	MF, 1%, 0204, E24
0 R 87	not used	1 pce	10R	MF, 1%, 0204, E24
0 R 88	57.69.1097	1 pce	10k	CF 5% 0603
0 R 89	57.60.1100	1 pce	10R	MF, 1%, 0204, E24
0 R 90	57.69.1097	1 pce	10k	CF 5% 0603
0 R 91	57.69.1097	1 pce	10k	CF 5% 0603
0 R 92	57.60.1100	1 pce	10R	MF, 1%, 0204, E24
0 R 93	57.69.1073	1 pce	1k0	CF 5% 0603
0 R 94	57.69.1097	1 pce	10k	CF 5% 0603
0 R 95	57.60.1100	1 pce	10R	MF, 1%, 0204, E24
0 R 96	57.69.1073	1 pce	1k0	CF 5% 0603
0 R 97	57.60.1100	1 pce	10R	MF, 1%, 0204, E24
0 R 98	57.69.1073	1 pce	1k0	CF 5% 0603
0 R 99	57.60.1100	1 pce	10R	MF, 1%, 0204, E24
0 R 100	57.60.1100	1 pce	10R	MF, 1%, 0204, E24
0 R 101	57.69.1073	1 pce	1k0	CF 5% 0603
0 R 102	57.69.1097	1 pce	10k	CF 5% 0603
0 R 103	57.69.1097	1 pce	10k	CF 5% 0603
0 R 104	57.69.1097	1 pce	10k	CF 5% 0603
0 R 105	57.69.1097	1 pce	10k	CF 5% 0603
0 R 106	57.69.1097	1 pce	10k	CF 5% 0603
0 R 107	57.69.1097	1 pce	10k	CF 5% 0603
0 R 108	57.69.1097	1 pce	10k	CF 5% 0603
0 R 109	57.69.1097	1 pce	10k	CF 5% 0603
0 R 110	57.69.1097	1 pce	10k	CF 5% 0603
0 R 111	57.69.1097	1 pce	10k	CF 5% 0603
0 R 112	57.69.1097	1 pce	10k	CF 5% 0603
0 R 113	57.69.1097	1 pce	10k	CF 5% 0603
0 R 114	57.69.1097	1 pce	10k	CF 5% 0603
0 R 115	57.69.1097	1 pce	10k	CF 5% 0603
0 R 116	57.60.1100	1 pce	10R	MF, 1%, 0204, E24
0 R 117	57.60.1100	1 pce	10R	MF, 1%, 0204, E24
0 R 118	57.60.1471	1 pce	470R	MF, 1%, 0204, E24
0 R 119	57.60.1100	1 pce	10R	MF, 1%, 0204, E24
0 R 120	57.69.1073	1 pce	1k0	CF 5% 0603
0 R 121	57.60.1100	1 pce	10R	MF, 1%, 0204, E24
0 R 122	57.60.1105	1 pce	1M0	MF, 1%, 0204, E24
0 R 123	57.69.1073	1 pce	1k0	CF 5% 0603
0 R 124	57.60.1100	1 pce	10R	MF, 1%, 0204, E24
0 R 125	57.69.1073	1 pce	1k0	CF 5% 0603
0 R 126	57.60.1471	1 pce	470R	MF, 1%, 0204, E24
0 R 127	57.60.1100	1 pce	10R	MF, 1%, 0204, E24
0 R 128	57.60.1470	1 pce	47R	MF, 1%, 0204, E24
0 R 129	57.60.1470	1 pce	47R	MF, 1%, 0204, E24
0 R 130	57.60.1470	1 pce	47R	MF, 1%, 0204, E24
0 R 131	57.69.1025	1 pce	10R	CF 5% 0603
0 R 132	not used	1 pce	10R	CF 5% 0603
0 R 133	57.69.1097	1 pce	10k	CF 5% 0603
0 R 134	not used	1 pce	10R	MF, 1%, 0204, E24
0 R 135	57.60.1101	1 pce	100R	MF, 1%, 0204, E24
0 R 136	not used	1 pce	10R	MF, 1%, 0204, E24
0 R 137	57.69.1073	1 pce	1k0	CF 5% 0603
0 R 138	57.60.1100	1 pce	10R	MF, 1%, 0204, E24
0 R 139	57.60.1100	1 pce	10R	MF, 1%, 0204, E24
0 R 140	57.60.1100	1 pce	10R	MF, 1%, 0204, E24
0 R 141	57.60.1470	1 pce	47R	MF, 1%, 0204, E24
0 R 142	57.60.1152	1 pce	1k5	MF, 1%, 0204, E24
0 R 143	57.60.1152	1 pce	1k5	MF, 1%, 0204, E24
0 R 144	57.60.1221	1 pce	220R	MF, 1%, 0204, E24
0 R 145	57.60.1470	1 pce	47R	MF, 1%, 0204, E24
0 R 146	57.69.1097	1 pce	10k	CF 5% 0603
0 R 147	57.60.1470	1 pce	47R	MF, 1%, 0204, E24
0 R 194	57.69.1073	1 pce	1k0	CF 5% 0603
0 R 204	57.69.1097	1 pce	10k	CF 5% 0603
0 R 623	57.60.1471	1 pce	470R	MF, 1%, 0204, E24
0 S 1	56.60.0104	1 pce	4p	SMD DIL-Switch
0 S 2	56.60.0108	1 pce	8p	SMD DIL-Switch
0 TP 1	not used	1 pce	2.8*0.8	PCB-Flachstecker, gerade
0 XIC 1	53.03.0166	1 pce	8p	DIL-socket 0.3"
0 XIC 13	53.03.2232	1 pce	32p	PLCC-Socket
0 XIC 18	53.03.0166	1 pce	8p	DIL-socket 0.3"
0 Y 1	89.60.1004	1 pce	22.1184MHz	SMD Quartz

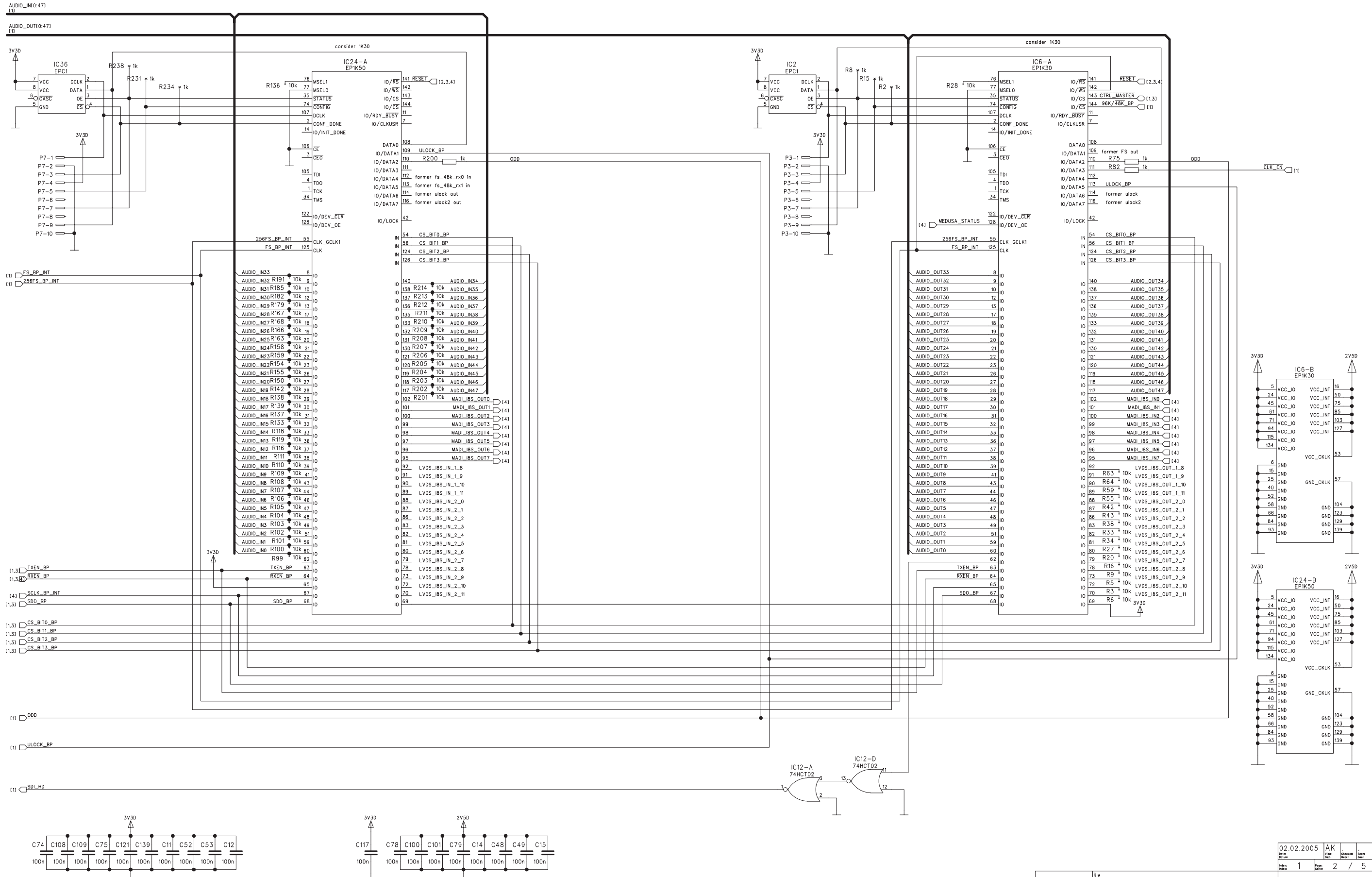
Idx. Pos.	Part No.	Qty.	Type/Val.	Description
-----------	----------	------	-----------	-------------

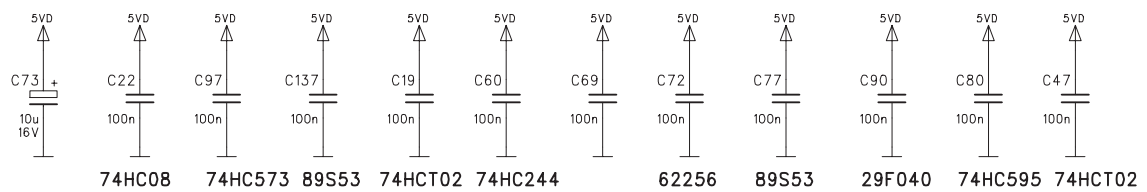
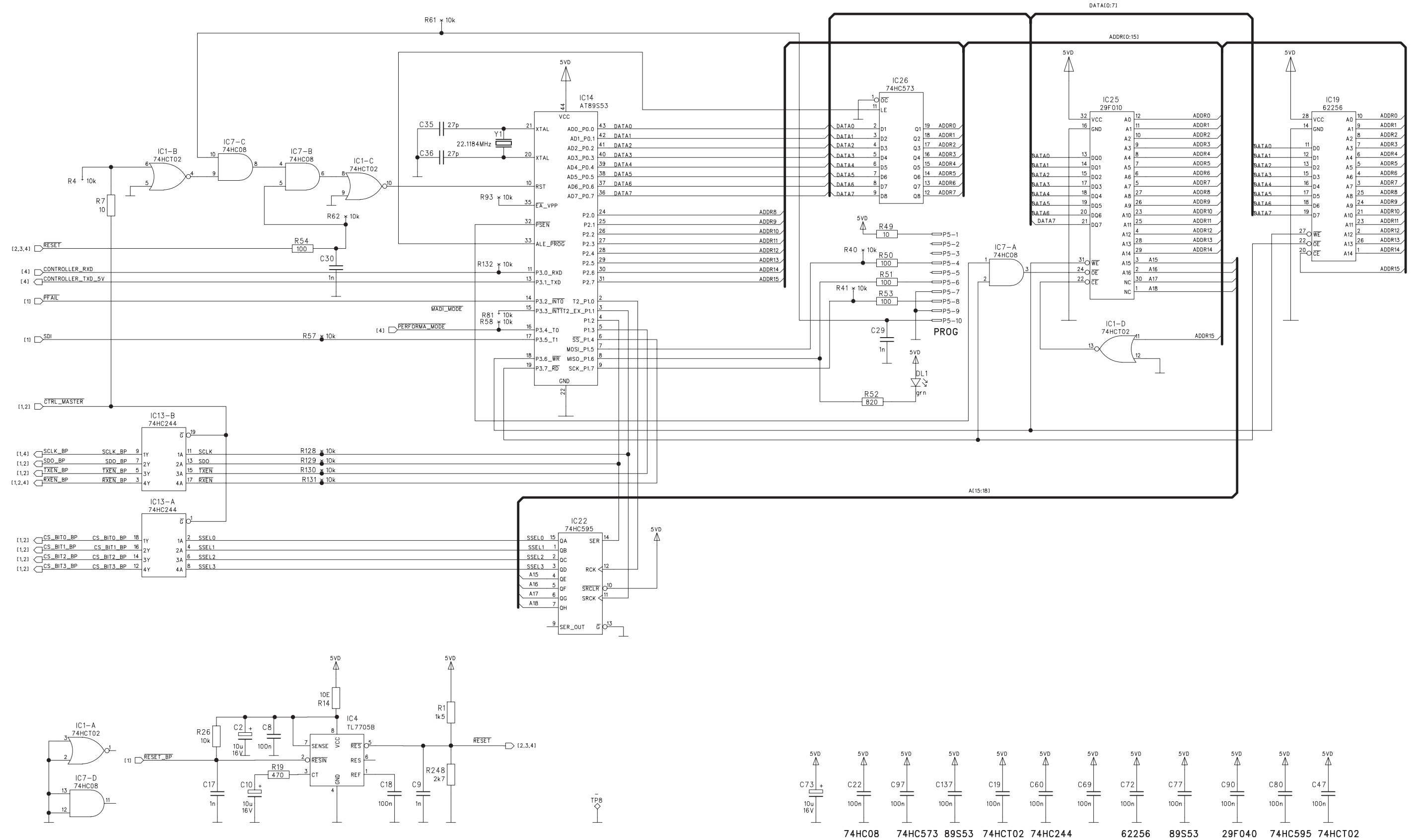
End of List

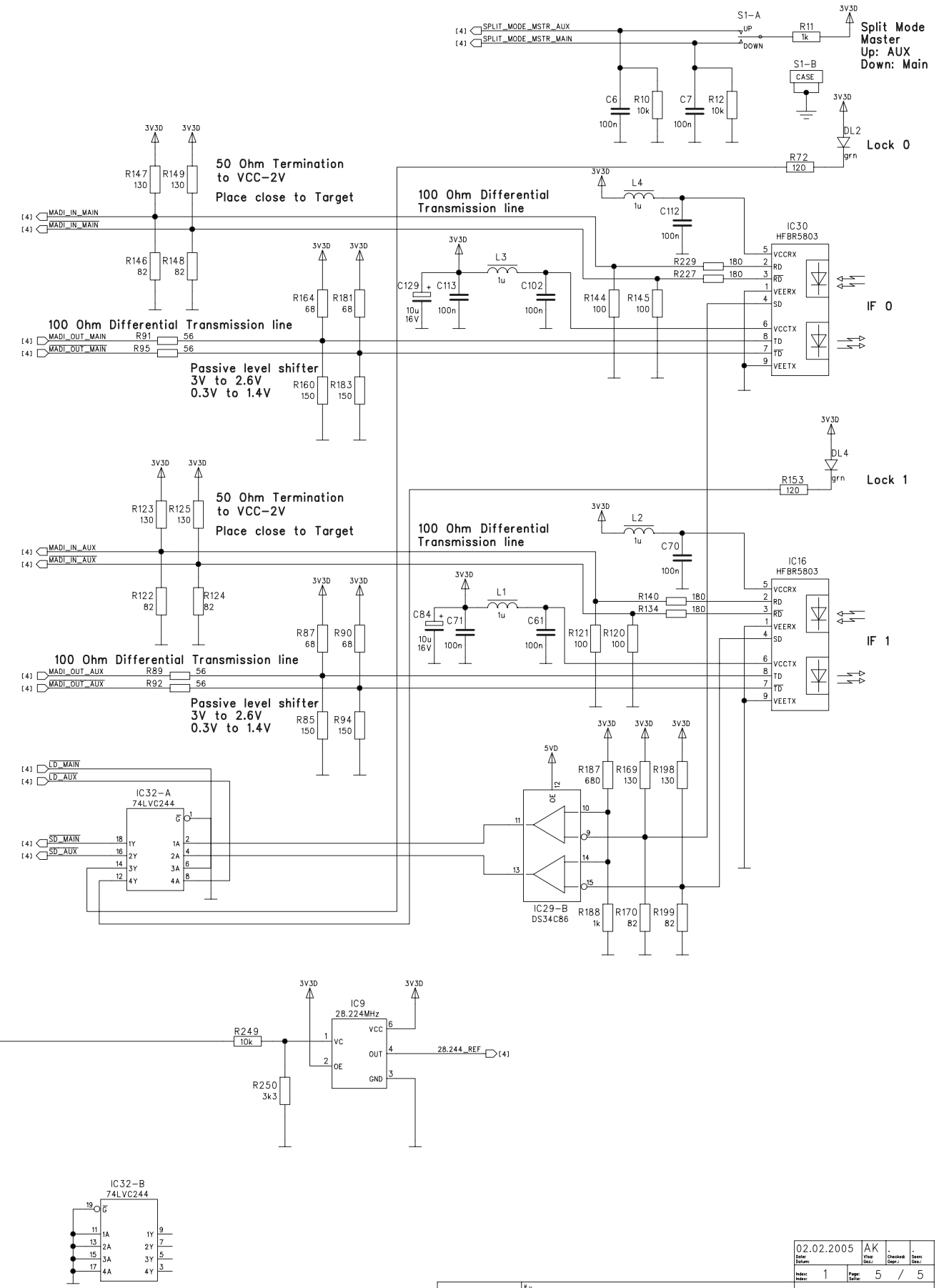
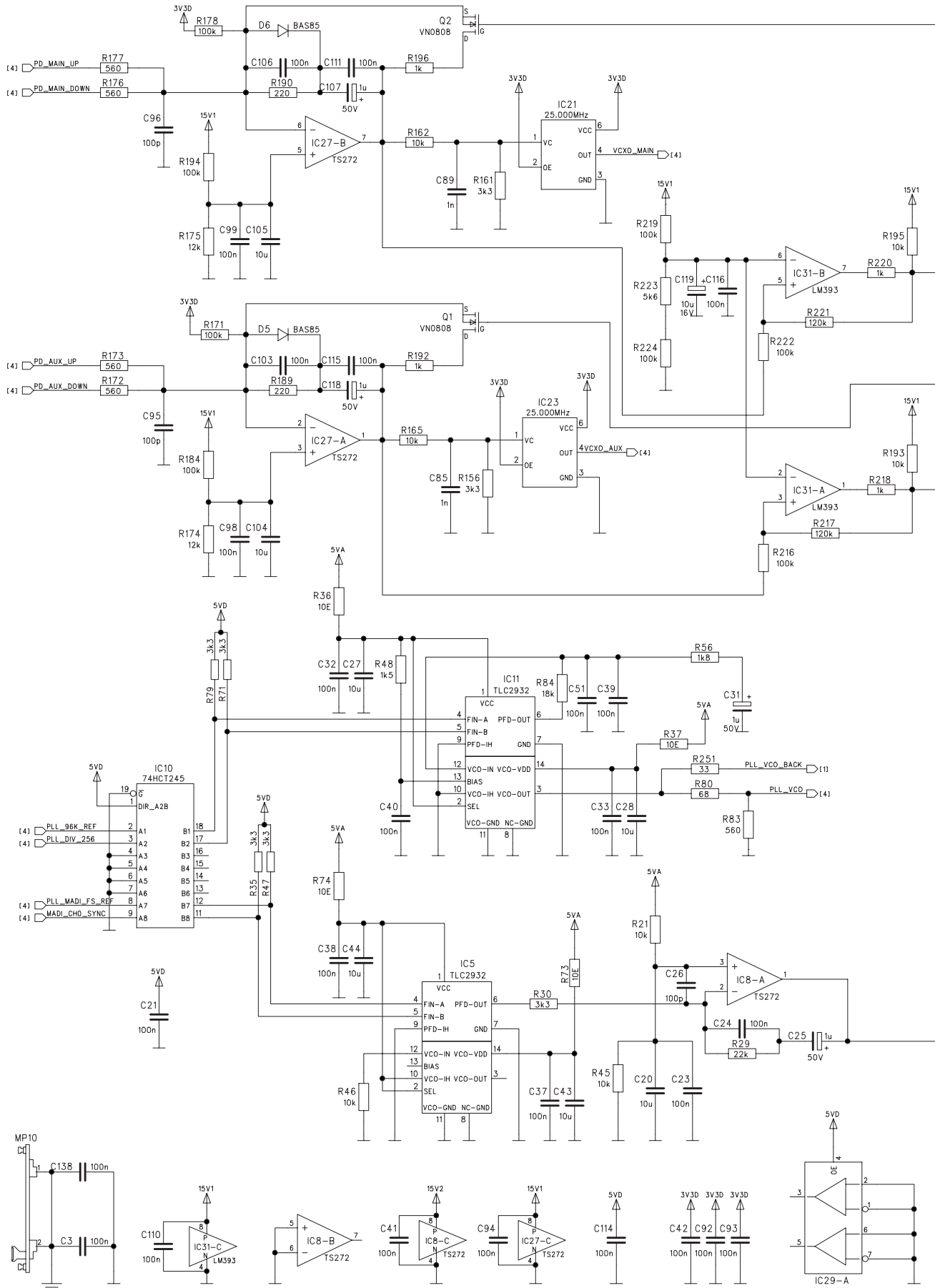
Comments:

[22] 10.07.06 ZT
 (01) 03.11.06 MP11:1.940.600.05->1.940.600.06

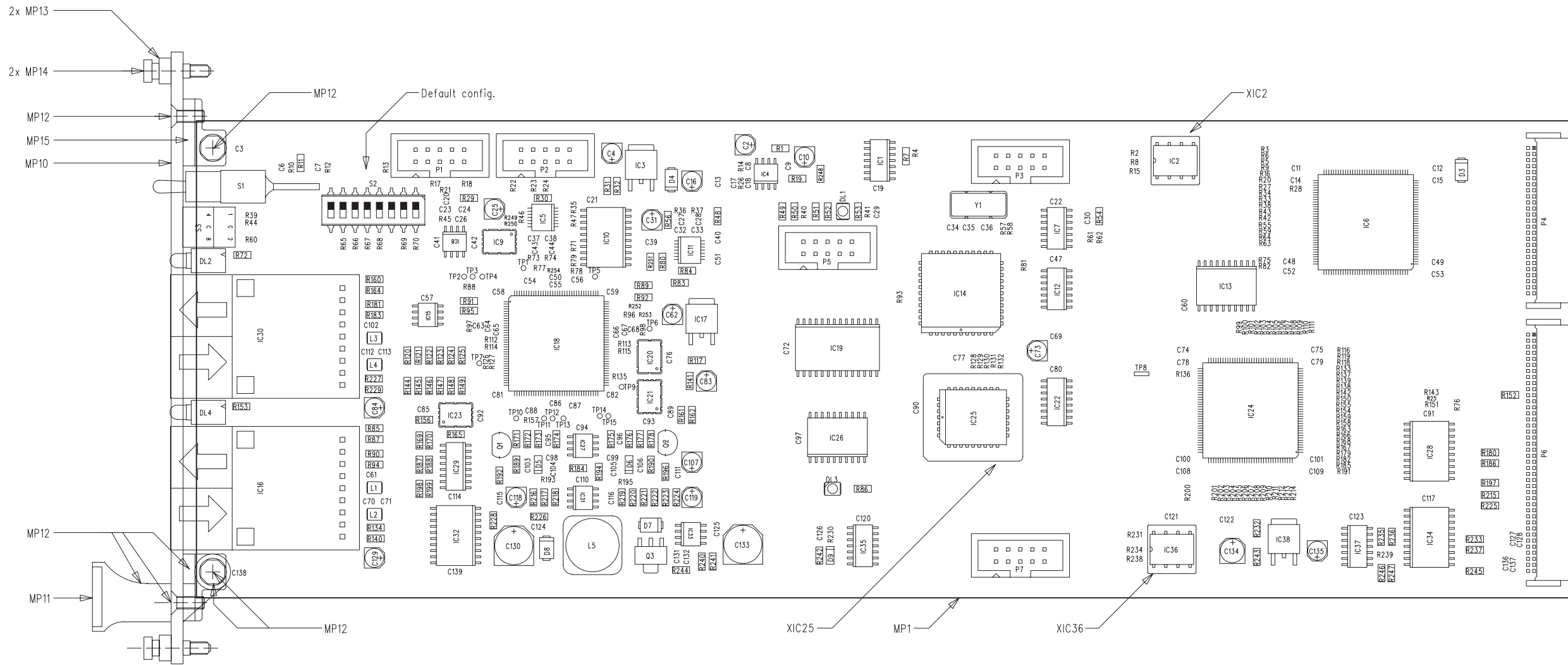








MADI HD Card 1.949.411.24 (2), 1.949.413.23 (2)



MADI HD Card 1.949.411.24 (2)

Idx. Pos.	Part No.	Qty.	Type/Val.	Description	Idx. Pos.	Part No.	Qty.	Type/Val.	Description
0 DL 3	50.04.2751	1 pce	gm	LED mit Halter	0 R 17	57.60.1272	1 pce	2k7	MF, 1%, 0204, E24
0 DL 4	50.60.9414	1 pce	gm	SMD LED 2.7*3.5	0 R 18	57.69.1097	1 pce	10k	CF 5% 0603
0 IC 1	1.949.970.20	1 pce	EPC1	SW411 MADI SelMux (50.63.4298)	0 R 19	57.69.1097	1 pce	10k	CF 5% 0603
0 IC 2	50.63.2001	1 pce	7705B	Reset Generator	0 R 20	57.69.1097	1 pce	10k	CF 5% 0603
0 IC 3	50.62.1595	1 pce	74HC595	8bit shift/output register	0 R 21	57.69.1097	1 pce	10k	CF 5% 0603
0 IC 4	50.61.2003	1 pce	LM1117	Lin Reg 800mA adj	0 R 22	57.69.1097	1 pce	10k	CF 5% 0603
0 IC 5	50.62.0260	1 pce	TLC 2932	Phase-locked Loop	0 R 23	57.60.1331	1 pce	330R	MF, 1%, 0204, E24
0 IC 6	50.63.4215	1 pce	EP1K30	PLD 30 000 gates	0 R 24	57.60.1102	1 pce	1k0	MF, 1%, 0204, E24
0 IC 7	not used	1 pce	CLC006	Cable Driver	0 R 25	57.69.1097	1 pce	10k	CF 5% 0603
0 IC 8	50.62.3245	1 pce	74HCT245	Octal bus transceiver	0 R 26	57.69.1073	1 pce	1k0	CF 5% 0603
0 IC 9	89.60.2152	1 pce	28.224MHz	VCOscillator 3.3V	0 R 27	57.69.1097	1 pce	10k	CF 5% 0603
0 IC 10	50.62.1244	1 pce	74HC244	Octal buffer line driver/recei	0 R 28	57.69.1037	1 pce	33R	CF 5% 0603
0 IC 11	50.62.0464	1 pce	DS34C87	4*RS 422 Line Driver	0 R 29	57.69.1037	1 pce	33R	CF 5% 0603
0 IC 12	50.61.0205	1 pce	TS272CD	Dual Op-Amp CMOS SO 8	0 R 30	57.69.1097	1 pce	10k	CF 5% 0603
0 IC 13	50.62.0260	1 pce	TLC 2932	Phase-locked Loop	0 R 31	57.69.1085	1 pce	3k3	CF 5% 0603
0 IC 14	50.63.1303	1 pce	29F010	Flash Memory 128K*8	0 R 32	57.69.1025	1 pce	10R	CF 5% 0603
0 IC 15	1.949.961.20	1 pce	EPC1	SW410 for merger (50.63.0010)	0 R 33	57.69.1025	1 pce	10R	CF 5% 0603
0 IC 16	1.949.971.24	1 pce	EPC1	SW411/13/30/31 Medusa (EPCS1)	0 R 34	57.69.1097	1 pce	10k	CF 5% 0603
0 IC 17	89.10.0021	1 pce	AFBR5803	LWL Transceiver FDDI/MADI	0 R 35	57.60.1105	1 pce	1M0	MF, 1%, 0204, E24
0 IC 18	50.61.2003	1 pce	LM1117	Lin Reg 800mA adj	0 R 36	57.60.1223	1 pce	22k	MF, 1%, 0204, E24
0 IC 19	50.63.4216	1 pce	EP1C6T	FPGA 6000 logic elements	0 R 37	57.69.1085	1 pce	3k3	CF 5% 0603
0 IC 20	50.62.3002	1 pce	74HCT 02	Quad 2input NOR	0 R 38	57.69.1097	1 pce	10k	CF 5% 0603
0 IC 21	89.60.2005	1 pce	125MHz	XTAL Oscillator 3.3V	0 R 39	57.69.1085	1 pce	3k3	CF 5% 0603
0 IC 22	not used	1 pce	CLC014	Adaptive Cable Equalizer/Recei	0 R 40	57.69.1097	1 pce	10k	CF 5% 0603
0 IC 23	50.63.1503	1 pce	62256	SRAM 32K*8, 100ns	0 R 41	57.69.1097	1 pce	10k	CF 5% 0603
0 IC 24	89.60.2151	1 pce	25.0MHz	VCOscillator 3.3V	0 R 42	57.69.1097	1 pce	10k	CF 5% 0603
0 IC 25	50.62.1573	1 pce	74HC573	Octal D-type latch	0 R 43	not used	1 pce	3k3	CF 5% 0603
0 IC 26	50.62.1008	1 pce	74HC 08	Quad 2input AND	0 R 44	57.69.1085	1 pce	3k3	CF 5% 0603
0 IC 27	50.62.3002	1 pce	74HCT 02	Quad 2input NOR	0 R 45	57.60.1182	1 pce	1k8	MF, 1%, 0204, E24
0 IC 28	89.60.2151	1 pce	25.0MHz	VCOscillator 3.3V	0 R 46	57.60.1152	1 pce	1k5	MF, 1%, 0204, E24
0 IC 29	50.63.4213	1 pce	EP1K50	PLD 50 000 gates	0 R 47	not used	1 pce	470R	MF, 1%, 0204, E24
0 IC 30	not used	1 pce	CLC006	Cable Driver	0 R 48	not used	1 pce	470R	MF, 1%, 0204, E24
0 IC 31	50.61.0205	1 pce	TS272CD	Dual Op-Amp CMOS SO 8	0 R 49	not used	1 pce	220R	MF, 1%, 0204, E24
0 IC 32	50.65.0244	1 pce	74LVC244	Octal buffer/line driver 3.3V	0 R 50	57.69.1097	1 pce	10k	CF 5% 0603
0 IC 33	89.10.0021	1 pce	AFBR5803	LWL Transceiver FDDI/MADI	0 R 51	not used	1 pce	100R	MF, 1%, 0204, E24
0 IC 34	50.62.0463	1 pce	DS34C86	4*RS 422 Line Receiver	0 R 52	57.60.1131	1 pce	130R	MF, 1%, 0204, E24
0 IC 35	50.65.0157	1 pce	74LVC157	Quad 2-to1 mux 3.3V	0 R 53	not used	1 pce	3k3	CF 5% 0603
0 IC 36	50.65.0157	1 pce	74LVC157	Quad 2-to1 mux 3.3V	0 R 54	not used	1 pce	49R9	MG 1% 0402 E96
0 IC 37	50.65.0157	1 pce	74LVC157	Quad 2-to1 mux 3.3V	0 R 55	not used	1 pce	49R9	MG 1% 0402 E96
0 IC 38	50.65.0157	1 pce	74LVC157	Quad 2-to1 mux 3.3V	0 R 56	57.69.1085	1 pce	3k3	CF 5% 0603
0 IC 39	50.65.0157	1 pce	74LVC157	Quad 2-to1 mux 3.3V	0 R 57	57.69.1097	1 pce	10k	CF 5% 0603
0 IC 40	50.61.9001	1 pce	LM393	Dual voltage comp. SO 8	0 R 58	57.69.1097	1 pce	10k	CF 5% 0603
0 IC 41	50.61.2006	1 pce	L5970D	Step down switching regulator	0 R 59	57.69.1025	1 pce	10R	CF 5% 0603
0 IC 42	50.65.0244	1 pce	74LVC244	Octal buffer/line driver 3.3V	0 R 60	57.69.1025	1 pce	10R	CF 5% 0603
0 IC 43	50.62.1014	1 pce	74HC 14	Hex Schmitt trigger inverter	0 R 61	57.69.1097	1 pce	10k	CF 5% 0603
0 IC 44	1.949.969.20	1 pce	EPC1	SW411 MADI MuxSel (50.63.4298)	0 R 62	not used	1 pce	820R	MF, 1%, 0204, E24
0 IC 46	not used	1 pce	CLC014	Adaptive Cable Equalizer/Recei	0 R 63	57.69.1037	1 pce	33R	CF 5% 0603
0 IC 47	50.61.2003	1 pce	LM1117	Lin Reg 800mA adj	0 R 64	57.69.1085	1 pce	3k3	CF 5% 0603
0 IC 48	50.65.0157	1 pce	74LVC157	Quad 2-to1 mux 3.3V	0 R 65	57.69.1037	1 pce	33R	CF 5% 0603
0 IC 49	50.65.0163	1 pce	74LVC163	4-bit Counter	0 R 66	57.60.1680	1 pce	68R	MF, 1%, 0204, E24
0 IC 50	50.65.0163	1 pce	74LVC163	4-bit Counter	0 R 67	57.69.1037	1 pce	33R	CF 5% 0603
0 IC 51	50.65.0004	1 pce	74LVC04	Hex Inverter 3.3V	0 R 68	not used	1 pce	33R	CF 5% 0603
0 IC 52	50.65.0163	1 pce	74LVC163	4-bit Counter	0 R 69	57.60.1183	1 pce	18k	MF, 1%, 0204, E24
0 IC 57	50.65.0157	1 pce	74LVC157	Quad 2-to1 mux 3.3V	0 R 70	not used	1 pce	100R	MF, 1%, 0204, E24
0 IC 58	50.65.0157	1 pce	74LVC157	Quad 2-to1 mux 3.3V	0 R 71	57.60.1151	1 pce	150R	MF, 1%, 0204, E24
0 L 1	62.60.0101	1 pce	1u0	SMD 10% 1210	0 R 72	57.69.1025	1 pce	10R	CF 5% 0603
0 L 2	62.60.0101	1 pce	1u0	SMD 10% 1210	0 R 73	57.60.1560	1 pce	56R	MF, 1%, 0204, E24
0 L 3	62.60.0101	1 pce	1u0	SMD 10% 1210	0 R 74	57.60.1561	1 pce	560R	MF, 1%, 0204, E24
0 L 4	62.60.0101	1 pce	1u0	SMD 10% 1210	0 R 75	not used	1 pce	100R	MF, 1%, 0204, E24
0 L 5	62.60.0518	1 pce	47uH	SMD 2.5A	0 R 76	57.69.1073	1 pce	1k0	CF 5% 0603
0 L 6	not used	1 pce	1u0	SMD 10% 1210	0 R 77	57.69.1037	1 pce	33R	CF 5% 0603
0 L 7	not used	1 pce	1u0	SMD 10% 1210	0 R 78	57.60.1680	1 pce	68R	MF, 1%, 0204, E24
0 MP 1	1.949.414.14	1 pce		MADI HD CARD PCB	0 R 79	57.69.1097	1 pce	10k	CF 5% 0603
0 MP 2	1.949.411.10	1 pce		Nr. ETIKETTE 5x20	0 R 80	57.69.1097	1 pce	10k	CF 5% 0603
0 MP 3	43.01.0108	1 pce	Label	ESE-Warnschild	0 R 81	57.69.1097	1 pce	10k	CF 5% 0603
2 MP 4	43.10.0111	1 pce	B	Revisions-Etikette 5mm h'blau	0 R 82	57.69.1097	1 pce	10k	CF 5% 0603
0 MP 10	1.949.411.02	1 pce		FRONTPLATTE MADI HD CARD RS42	0 R 83	57.69.1097	1 pce	10k	CF 5% 0603
0 MP 11	1.940.600.05	1 pce		GRIFFEINLAGE 4TE	0 R 84	57.69.1037	1 pce	33R	CF 5% 0603
0 MP 12	49.02.0514	1 pce	4TE	Frontplatten-Griffsatz	0 R 85	57.69.1037	1 pce	33R	CF 5% 0603
0 MP 13	49.02.0521	1 pce		Metal-Buchse (Rack)	0 R 86	57.60.1680	1 pce	68R	MF, 1%, 0204, E24
0 MP 14	49.02.0524	1 pce	M2.5*12	Schraube spezial	0 R 87	57.60.1560	1 pce	56R	MF, 1%, 0204, E24
0 MP 15	49.02.0522	1 pce		Kartenhalter mit Z-Schr	0 R 88	57.60.1560	1 pce	56R	MF, 1%, 0204, E24
0 MP 16	54.13.0083	1 pce	4.85mm	Bolzen M3*7.9	0 R 89	not used	1 pce	10R	CF 5% 0603
0 MP 17	24.16.2030	1 pce	3.2/6.0	Fächerscheibe Form A	0 R 90	57.60.1560	1 pce	56R	MF, 1%, 0204, E24
0 MP 18	22.01.8030	1 pce	M3	6kt-Mutter 0.5d St Zn bl	0 R 91	not used	1 pce	33R	CF 5% 0603
0 MP 19	1.023.388.31	1 pce		FLACHKABEL 10 POL. 0,05M	0 R 92	57.69.1097	1 pce	10k	CF 5% 0603
0 MP 20	not used	4 pce		LIN-FORMSCHLZNSW_KS D3 * 8	0 R 93	57.69.1097	1 pce	10k	CF 5% 0603
0 P 1	54.14.2001	1 pce	10p	1/20" Au, gerade, ohne Verrieg	0 R 94	57.69.1037	1 pce	33R	CF 5% 0603
0 P 3	54.14.5510	1 pce	10p	PCB-Buchse gerade	0 R 95	57.60.1151	1 pce	150R	MF, 1%, 0204, E24
0 P 4	54.60.0110	1 pce	50p	SMC Stecker winkel	0 R 96	not used	1 pce	10k	CF 5% 0603
0 P 5	not used	1 pce	10p	1/20" Au, gerade, Actionpin	0 R 97	not used	1 pce	75R	MF, 1%, 0204, E24
0 P 6	not used	1 pce	8p	RJ 45 Jack XLR case	0 R 98	57.69.1025	1 pce	10R	CF 5% 0603
0 P 7	54.60.0111	1 pce	80p	SMC Stecker winkel	0 R 99	57.69.1025	1 pce	10R	CF 5% 0603
0 P 8	not used	1 pce	8p	RJ 45 Jack XLR case	0 R 100	57.69.1025	1 pce	10R	CF 5% 0603
0 Q 1	50.03.1505	1 pce	VN0808L	N-VAMOS-FET 80V, 0.35A	0 R 101	57.69.1097	1 pce	10k	CF 5% 0603
0 Q 2	50.03.1505	1 pce	VN0808L	N-VAMOS-FET 80V, 0.35A	0 R 102	57.69.1097	1 pce	10k	CF 5% 0603
0 Q 3	50.60.2201	1 pce	BSP372	PowerMOS N-Ch 100V, 0.31Ohm	0 R 103	57.69.1097	1 pce	10k	CF 5% 0603
0 R 1	57.69.1097	1 pce	10k	CF 5% 0603	0 R 104	57.69.1097	1 pce	10k	CF 5% 0603
0 R 2	57.69.1097	1 pce	10k	CF 5% 0603	0 R 105	57.69.1097	1 pce	10k	CF 5% 0603
0 R 3	57.69.1073	1 pce	1k0	CF 5% 0603	0 R 106	57.69.1097	1 pce	10k	CF 5% 0603
0 R 4	57.60.1152	1 pce	1k5	MF, 1%, 0204, E24	0 R 107	57.69.1097	1 pce	10k	CF 5% 0603
0 R 5	57.60.1152	1 pce	1k5	MF, 1%, 0204, E24	0 R 108	57.69.1097	1 pce	10k	CF 5% 0603
0 R 6	57.60.1221	1 pce	220R	MF, 1%, 0204, E24	0 R 109	57.69.1097	1 pce	10k	CF 5% 0603
0 R 7	57.69.1097	1 pce	10k	CF 5% 0603	0 R 110	57.69.1097	1 pce	10k	CF 5% 0603
0 R 8	57.69.1025	1 pce	10R	CF 5% 0603	0 R 111	57.69.1097	1 pce	10k	CF 5% 0603
0 R 9	57.69.1073	1 pce	1k0	CF 5% 0603	0 R 112	57.69.1097	1 pce	10k	CF 5% 0603
0 R 10	57.69.1097	1 pce	10k	CF 5% 0603	0 R 113	57.69.1097	1 pce	10k	CF 5% 0603
0 R 11	57.69.1097	1 pce	10k	CF 5% 0603	0 R 114	not used	1 pce	10k	CF 5% 0603
0 R 12	57.69.1097	1 pce	10k	CF 5% 0603	0 R 115	not used	1 pce	75R	MF, 1%, 0204, E24
0 R 13	57.60.1152	1 pce	1k5	MF, 1%, 0204, E24	0 R 116	57.69.1037	1 pce	33R	CF 5% 0603
0 R 14	57.69.1073	1 pce	1k0	CF 5% 0603	0 R 117	57.69.1037	1 pce	33R	CF 5% 0603
0 R 15	57.69.1097	1 pce	10k	CF 5% 0603	0 R 118	57.69.1097	1 pce	10k	CF 5% 0603
0 R 16	57.60.1471	1 pce	470R	MF, 1%, 0204, E24	0 R 119	57.69.1097	1 pce	10k	CF 5% 0603

MADI HD Card 1.949.411.24 (2)

Idx. Pos.	Part No.	Qty.	Type/Val.	Description	Idx. Pos.	Part No.	Qty.	Type/Val.	Description
0 R 120	57.69.1097	1 pce	10k	CF 5% 0603	0 R 229	57.60.1104	1 pce	100k	MF, 1%, 0204, E24
0 R 121	57.69.1097	1 pce	10k	CF 5% 0603	0 R 230	57.69.1097	1 pce	10k	CF 5% 0603
0 R 122	57.69.1097	1 pce	10k	CF 5% 0603	0 R 231	57.60.1102	1 pce	1k0	MF, 1%, 0204, E24
0 R 123	not used	1 pce	82R	CF 5% 0603	0 R 232	57.69.1499	1 pce	49R9	MG 1% 0402 E96
0 R 124	not used	1 pce	82R	CF 5% 0603	0 R 233	57.69.1499	1 pce	49R9	MG 1% 0402 E96
0 R 125	57.69.1000	1 pce	0R0	CF 5% 0603	0 R 234	57.69.1037	1 pce	33R	CF 5% 0603
0 R 126	57.69.1000	1 pce	0R0	CF 5% 0603	0 R 235	57.69.1037	1 pce	33R	CF 5% 0603
0 R 127	57.69.1037	1 pce	33R	CF 5% 0603	0 R 236	57.69.1037	1 pce	33R	CF 5% 0603
0 R 128	57.69.1097	1 pce	10k	CF 5% 0603	0 R 237	57.69.1037	1 pce	33R	CF 5% 0603
0 R 129	57.69.1097	1 pce	10k	CF 5% 0603	0 R 238	57.60.1821	1 pce	820R	MF, 1%, 0204, E24
0 R 130	57.69.1097	1 pce	10k	CF 5% 0603	0 R 239	57.69.1073	1 pce	1k0	CF 5% 0603
0 R 131	57.69.1097	1 pce	10k	CF 5% 0603	0 R 240	57.69.1499	1 pce	49R9	MG 1% 0402 E96
0 R 132	57.69.1097	1 pce	10k	CF 5% 0603	0 R 241	57.69.1073	1 pce	1k0	CF 5% 0603
0 R 133	57.60.1471	1 pce	470R	MF, 1%, 0204, E24	0 R 242	57.69.1097	1 pce	10k	CF 5% 0603
0 R 134	57.69.1097	1 pce	10k	CF 5% 0603	0 R 243	57.69.1097	1 pce	10k	CF 5% 0603
0 R 135	not used	1 pce	33R	CF 5% 0603	0 R 244	57.69.1097	1 pce	10k	CF 5% 0603
0 R 136	not used	1 pce	33R	CF 5% 0603	0 R 245	57.69.1097	1 pce	10k	CF 5% 0603
0 R 137	57.69.1097	1 pce	10k	CF 5% 0603	0 R 246	57.69.1097	1 pce	10k	CF 5% 0603
0 R 138	57.69.1097	1 pce	10k	CF 5% 0603	0 R 247	57.69.1097	1 pce	10k	CF 5% 0603
0 R 139	57.69.1097	1 pce	10k	CF 5% 0603	0 R 248	57.69.1097	1 pce	10k	CF 5% 0603
0 R 140	57.60.1181	1 pce	180R	MF, 1%, 0204, E24	0 R 249	57.69.1097	1 pce	10k	CF 5% 0603
0 R 141	57.60.1101	1 pce	100R	MF, 1%, 0204, E24	0 R 250	57.69.1097	1 pce	10k	CF 5% 0603
0 R 142	57.60.1101	1 pce	100R	MF, 1%, 0204, E24	0 R 251	57.69.1097	1 pce	10k	CF 5% 0603
0 R 143	57.60.1820	1 pce	82R	MF, 1%, 0204, E24	0 R 252	57.69.1097	1 pce	10k	CF 5% 0603
0 R 144	57.60.1131	1 pce	130R	MF, 1%, 0204, E24	0 R 253	57.69.1097	1 pce	10k	CF 5% 0603
0 R 145	57.60.1820	1 pce	82R	MF, 1%, 0204, E24	0 R 254	57.69.1097	1 pce	10k	CF 5% 0603
0 R 146	57.60.1131	1 pce	130R	MF, 1%, 0204, E24	0 R 255	57.69.1097	1 pce	10k	CF 5% 0603
0 R 147	57.69.1499	1 pce	49R9	MG 1% 0402 E96	0 R 256	not used	1 pce	100R	MF, 1%, 0204, E24
0 R 148	57.69.1097	1 pce	10k	CF 5% 0603	0 R 257	57.60.1102	1 pce	1k0	MF, 1%, 0204, E24
0 R 149	57.69.1097	1 pce	10k	CF 5% 0603	0 R 258	57.60.1104	1 pce	100k	MF, 1%, 0204, E24
0 R 150	not used	1 pce	22R	CF 5% 0603	0 R 259	57.60.1124	1 pce	120k	MF, 1%, 0204, E24
0 R 151	not used	1 pce	22R	CF 5% 0603	0 R 260	57.60.1102	1 pce	1k0	MF, 1%, 0204, E24
0 R 152	57.60.1181	1 pce	180R	MF, 1%, 0204, E24	0 R 261	57.60.1104	1 pce	100k	MF, 1%, 0204, E24
0 R 153	57.60.1101	1 pce	100R	MF, 1%, 0204, E24	0 R 262	57.60.1102	1 pce	1k0	MF, 1%, 0204, E24
0 R 154	57.69.1097	1 pce	10k	CF 5% 0603	0 R 263	57.60.1124	1 pce	120k	MF, 1%, 0204, E24
0 R 155	57.69.1097	1 pce	10k	CF 5% 0603	0 R 264	57.60.1104	1 pce	100k	MF, 1%, 0204, E24
0 R 156	57.69.1097	1 pce	10k	CF 5% 0603	0 R 265	57.60.1562	1 pce	5k6	MF, 1%, 0204, E24
0 R 157	57.69.1037	1 pce	33R	CF 5% 0603	0 R 266	57.60.1104	1 pce	100k	MF, 1%, 0204, E24
0 R 159	57.69.1499	1 pce	49R9	MG 1% 0402 E96	0 R 267	not used	1 pce	10k	CF 5% 0603
0 R 160	not used	1 pce	82R	CF 5% 0603	0 R 268	not used	1 pce	75R	MF, 1%, 0204, E24
0 R 161	not used	1 pce	82R	CF 5% 0603	0 R 269	57.60.1131	1 pce	130R	MF, 1%, 0204, E24
0 R 162	57.69.1097	1 pce	10k	CF 5% 0603	0 R 270	57.60.1820	1 pce	82R	MF, 1%, 0204, E24
0 R 163	57.69.1097	1 pce	10k	CF 5% 0603	0 R 271	57.60.1330	1 pce	33R	MF, 1%, 0204, E24
0 R 165	57.69.1037	1 pce	33R	CF 5% 0603	0 R 272	57.60.1330	1 pce	33R	MF, 1%, 0204, E24
0 R 166	57.60.1101	1 pce	100R	MF, 1%, 0204, E24	0 R 273	57.69.1025	1 pce	10R	CF 5% 0603
0 R 167	57.60.1101	1 pce	100R	MF, 1%, 0204, E24	0 R 274	not used	1 pce	10k	CF 5% 0603
0 R 168	57.60.1820	1 pce	82R	MF, 1%, 0204, E24	0 R 275	not used	1 pce	75R	MF, 1%, 0204, E24
0 R 169	57.60.1131	1 pce	130R	MF, 1%, 0204, E24	0 R 276	57.69.1025	1 pce	10R	CF 5% 0603
0 R 170	57.60.1820	1 pce	82R	MF, 1%, 0204, E24	0 R 277	57.60.1181	1 pce	180R	MF, 1%, 0204, E24
0 R 171	57.60.1131	1 pce	130R	MF, 1%, 0204, E24	0 R 278	57.69.1025	1 pce	10R	CF 5% 0603
0 R 172	57.69.1097	1 pce	10k	CF 5% 0603	0 R 279	57.60.1181	1 pce	180R	MF, 1%, 0204, E24
0 R 174	not used	1 pce	3k3	CF 5% 0603	0 R 280	57.69.1073	1 pce	1k0	CF 5% 0603
0 R 175	57.69.1499	1 pce	49R9	MG 1% 0402 E96	0 R 281	57.60.1471	1 pce	470R	MF, 1%, 0204, E24
0 R 176	57.69.1085	1 pce	3k3	CF 5% 0603	0 R 282	not used	1 pce	33R	CF 5% 0603
0 R 177	57.60.1101	1 pce	100R	MF, 1%, 0204, E24	0 R 283	not used	1 pce	33R	CF 5% 0603
0 R 178	57.69.1097	1 pce	10k	CF 5% 0603	0 R 284	57.60.1105	1 pce	1M0	MF, 1%, 0204, E24
0 R 179	57.69.1097	1 pce	10k	CF 5% 0603	0 R 285	57.60.1471	1 pce	470R	MF, 1%, 0204, E24
0 R 180	57.60.1121	1 pce	120R	MF, 1%, 0204, E24	0 R 286	57.69.1073	1 pce	1k0	CF 5% 0603
0 R 181	not used	1 pce	82R	CF 5% 0603	0 R 287	57.69.1037	1 pce	33R	CF 5% 0603
0 R 182	not used	1 pce	82R	CF 5% 0603	0 R 289	57.69.1025	1 pce	10R	CF 5% 0603
0 R 183	57.69.1000	1 pce	0R0	CF 5% 0603	0 R 290	not used	1 pce	22R	CF 5% 0603
0 R 184	57.69.1000	1 pce	0R0	CF 5% 0603	0 R 291	not used	1 pce	22R	CF 5% 0603
0 R 185	57.60.1103	1 pce	10k	MF, 1%, 0204, E24	0 R 293	57.69.1025	1 pce	10R	CF 5% 0603
0 R 186	57.69.1097	1 pce	10k	CF 5% 0603	0 R 294	57.69.1073	1 pce	1k0	CF 5% 0603
0 R 187	not used	1 pce	3k3	CF 5% 0603	0 R 295	57.69.1025	1 pce	10R	CF 5% 0603
0 R 188	57.60.1151	1 pce	150R	MF, 1%, 0204, E24	0 R 296	57.60.1472	1 pce	4k7	MF, 1%, 0204, E24
0 R 189	57.69.1097	1 pce	10k	CF 5% 0603	0 R 297	57.60.1303	1 pce	30k	MF, 1%, 0204, E24
0 R 190	57.69.1097	1 pce	10k	CF 5% 0603	0 R 298	57.60.1272	1 pce	2k7	MF, 1%, 0204, E24
0 R 191	not used	1 pce	49R9	MG 1% 0402 E96	0 R 299	57.69.1097	1 pce	10k	CF 5% 0603
0 R 192	not used	1 pce	49R9	MG 1% 0402 E96	0 R 300	57.60.1471	1 pce	470R	MF, 1%, 0204, E24
0 R 193	57.69.1097	1 pce	10k	CF 5% 0603	0 R 303	not used	1 pce	82R	CF 5% 0603
0 R 194	57.60.1680	1 pce	68R	MF, 1%, 0204, E24	0 R 304	not used	1 pce	82R	CF 5% 0603
0 R 195	57.69.1073	1 pce	1k0	CF 5% 0603	0 S 1	55.60.0108	1 pce	8p	SMD DIL-Switch
0 R 196	57.69.1073	1 pce	1k0	CF 5% 0603	0 S 2	55.60.0108	1 pce	8p	SMD DIL-Switch
0 R 197	57.60.1104	1 pce	100k	MF, 1%, 0204, E24	0 S 3	55.11.0007	1 pce	SPDT	Toggle 1 * on-off-on Ag
0 R 198	57.60.1561	1 pce	560R	MF, 1%, 0204, E24	0 S 4	55.12.1141	1 pce	N=10	Rotary Switch, right angle
0 R 199	57.60.1561	1 pce	560R	MF, 1%, 0204, E24	0 S 5	not used	1 pce	8p	SMD DIL-Switch
0 R 200	57.60.1123	1 pce	12k	MF, 1%, 0204, E24	0 T 1	not used	1 pce	1:1	Ethernet Transformer 10/100
0 R 201	57.60.1123	1 pce	12k	MF, 1%, 0204, E24	0 T 2	not used	1 pce	1:1	Ethernet Transformer 10/100
0 R 202	57.60.1561	1 pce	560R	MF, 1%, 0204, E24	0 T 3	not used	1 pce	1:1	Ethernet Transformer 10/100
0 R 203	57.60.1561	1 pce	560R	MF, 1%, 0204, E24	0 T 4	not used	1 pce	1:1	Ethernet Transformer 10/100
0 R 204	57.60.1104	1 pce	100k	MF, 1%, 0204, E24	0 TP 8	not used	1 pce	2.8*0.8	PCB-Flachstecker, gerade
0 R 205	57.69.1097	1 pce	10k	CF 5% 0603	0 XIC 1	53.03.0166	1 pce	8p	DIL-socket 0.3"
0 R 207	57.60.1680	1 pce	68R	MF, 1%, 0204, E24	0 XIC 14	53.60.0232	1 pce	32p	PLCC, SMD
0 R 208	57.60.1681	1 pce	680R	MF, 1%, 0204, E24	0 XIC 44	53.03.0166	1 pce	8p	DIL-socket 0.3"
0 R 209	57.60.1681	1 pce	680R	MF, 1%, 0204, E24	0 Y 1	89.60.1004	1 pce	22.1184MHz	SMD Quartz
0 R 210	57.69.1097	1 pce	10k	CF 5% 0603	0 Y 2	89.60.1006	1 pce	24.576MHz	SMD Quartz
0 R 211	57.69.1097	1 pce	10k	CF 5% 0603					
0 R 212	57.60.1151	1 pce	150R	MF, 1%, 0204, E24					
0 R 213	57.69.1085	1 pce	3k3	CF 5% 0603					
0 R 214	57.69.1097	1 pce	10k	CF 5% 0603					
0 R 217	57.60.1131	1 pce	130R	MF, 1%, 0204, E24					
0 R 218	57.60.1820	1 pce	82R	MF, 1%, 0204, E24					
0 R 219	57.60.1221	1 pce	220R	MF, 1%, 0204, E24					
0 R 220	57.60.1104	1 pce	100k	MF, 1%, 0204, E24					
0 R 221	57.60.1221	1 pce	220R	MF, 1%, 0204, E24					
0 R 222	57.69.1499	1 pce	49R9	MG 1% 0402 E96					
0 R 223	57.69.1097	1 pce	10k	CF 5% 0603					
0 R 224	57.69.1097	1 pce	10k	CF 5% 0603					
0 R 225	57.69.1025	1 pce	10R	CF 5% 0603					
0 R 226	57.69.1499	1 pce	49R9	MG 1% 0402 E96					
0 R 227	57.60.1103	1 pce	10k	MF, 1%, 0204, E24					
0 R 228	57.69.1097	1 pce	10k	CF 5% 0603					

End of List

Comments:

- (01) 05.09.06 C15, C16 not used
- (02) 08.11.06 C15, C16 used; label B

MADI HD Card, long-distance version 1.949.413.23 (2)

Idx. Pos.	Part No.	Qty.	Type/Val.	Description	Idx. Pos.	Part No.	Qty.	Type/Val.	Description
0 DL 3	50.04.2751	1 pce	gm	LED mit Halter	0 R 17	57.60.1272	1 pce	2k7	MF, 1%, 0204, E24
0 DL 4	50.60.9414	1 pce	gm	SMD LED 2.7*3.5	0 R 18	57.69.1097	1 pce	10k	CF 5% 0603
0 IC 1	1.949.970.20	1 pce	EPC1	SW411 MADI SelMux (50.63.4298)	0 R 19	57.69.1097	1 pce	10k	CF 5% 0603
0 IC 2	50.63.2001	1 pce	7705B	Reset Generator	0 R 20	57.69.1097	1 pce	10k	CF 5% 0603
0 IC 3	50.62.1595	1 pce	74HC595	8bit shift/output register	0 R 21	57.69.1097	1 pce	10k	CF 5% 0603
0 IC 4	50.61.2003	1 pce	LM1117	Lin Reg 800mA adj	0 R 22	57.69.1097	1 pce	10k	CF 5% 0603
0 IC 5	50.62.0260	1 pce	TLC 2932	Phase-locked Loop	0 R 23	57.60.1331	1 pce	330R	MF, 1%, 0204, E24
0 IC 6	50.63.4215	1 pce	EP1K30	PLD 30 000 gates	0 R 24	57.60.1102	1 pce	1k0	MF, 1%, 0204, E24
0 IC 7	not used	1 pce	CLC006	Cable Driver	0 R 25	57.69.1097	1 pce	10k	CF 5% 0603
0 IC 8	50.62.3245	1 pce	74HCT245	Octal bus transceiver	0 R 26	57.69.1073	1 pce	1k0	CF 5% 0603
0 IC 9	89.60.2152	1 pce	28.224MHz	VCOscillator 3.3V	0 R 27	57.69.1097	1 pce	10k	CF 5% 0603
0 IC 10	50.62.1244	1 pce	74HC244	Octal buffer line driver/recei	0 R 28	57.69.1037	1 pce	33R	CF 5% 0603
0 IC 11	50.62.0464	1 pce	DS34C87	4*RS 422 Line Driver	0 R 29	57.69.1037	1 pce	33R	CF 5% 0603
0 IC 12	50.61.0205	1 pce	TS272CD	Dual Op-Amp CMOS SO 8	0 R 30	57.69.1097	1 pce	10k	CF 5% 0603
0 IC 13	50.62.0260	1 pce	TLC 2932	Phase-locked Loop	0 R 31	57.69.1085	1 pce	3k3	CF 5% 0603
0 IC 14	50.63.1303	1 pce	29F010	Flash Memory 128K*8	0 R 32	57.69.1025	1 pce	10R	CF 5% 0603
0 IC 15	1.949.961.20	1 pce	EPCS1	SW410 for merger (50.63.0010)	0 R 33	57.69.1025	1 pce	10R	CF 5% 0603
0 IC 16	1.949.971.24	1 pce	EPCS1	SW411/13/30/31 Medusa (EPCS1)	0 R 34	57.69.1097	1 pce	10k	CF 5% 0603
0 IC 17	89.10.0142	1 pce	AFCT 5805	LWL Transceiver 155MBd 3.3V	0 R 35	57.60.1105	1 pce	1M0	MF, 1%, 0204, E24
0 IC 18	50.61.2003	1 pce	LM1117	Lin Reg 800mA adj	0 R 36	57.60.1223	1 pce	22k	MF, 1%, 0204, E24
0 IC 19	50.63.4216	1 pce	EP1C6T	FPGA 6000 logic elements	0 R 37	57.69.1085	1 pce	3k3	CF 5% 0603
0 IC 20	50.62.3002	1 pce	74HCT 02	Quad 2input NOR	0 R 38	57.69.1097	1 pce	10k	CF 5% 0603
0 IC 21	89.60.2005	1 pce	125MHz	XTAL Oscillator 3.3V	0 R 39	57.69.1085	1 pce	3k3	CF 5% 0603
0 IC 22	not used	1 pce	CLC014	Adaptive Cable Equalizer/Recei	0 R 40	57.69.1097	1 pce	10k	CF 5% 0603
0 IC 23	50.63.1503	1 pce	62256	SRAM 32K*8, 100ns	0 R 41	57.69.1097	1 pce	10k	CF 5% 0603
0 IC 24	89.60.2151	1 pce	25.0MHz	VCOscillator 3.3V	0 R 42	57.69.1097	1 pce	10k	CF 5% 0603
0 IC 25	50.62.1573	1 pce	74HC573	Octal D-type latch	0 R 43	not used	1 pce	3k3	CF 5% 0603
0 IC 26	50.62.1008	1 pce	74HC 08	Quad 2input AND	0 R 44	57.69.1085	1 pce	3k3	CF 5% 0603
0 IC 27	50.62.3002	1 pce	74HCT 02	Quad 2input NOR	0 R 45	57.60.1182	1 pce	1k8	MF, 1%, 0204, E24
0 IC 28	89.60.2151	1 pce	25.0MHz	VCOscillator 3.3V	0 R 46	57.60.1152	1 pce	1k5	MF, 1%, 0204, E24
0 IC 29	50.63.4213	1 pce	EP1K50	PLD 50 000 gates	0 R 47	not used	1 pce	470R	MF, 1%, 0204, E24
0 IC 30	not used	1 pce	CLC006	Cable Driver	0 R 48	not used	1 pce	470R	MF, 1%, 0204, E24
0 IC 31	50.61.0205	1 pce	TS272CD	Dual Op-Amp CMOS SO 8	0 R 49	not used	1 pce	220R	MF, 1%, 0204, E24
0 IC 32	50.65.0244	1 pce	74LVC244	Octal buffer/line driver 3.3V	0 R 50	57.69.1097	1 pce	10k	CF 5% 0603
0 IC 33	89.10.0142	1 pce	AFCT 5805	LWL Transceiver 155MBd 3.3V	0 R 51	not used	1 pce	100R	MF, 1%, 0204, E24
0 IC 34	50.62.0463	1 pce	DS34C86	4*RS 422 Line Receiver	0 R 52	57.60.1131	1 pce	130R	MF, 1%, 0204, E24
0 IC 35	50.65.0157	1 pce	74LVC157	Quad 2-to-1 mux 3.3V	0 R 53	not used	1 pce	3k3	CF 5% 0603
0 IC 36	50.65.0157	1 pce	74LVC157	Quad 2-to-1 mux 3.3V	0 R 54	not used	1 pce	49R9	MG 1% 0402 E96
0 IC 37	50.65.0157	1 pce	74LVC157	Quad 2-to-1 mux 3.3V	0 R 55	not used	1 pce	49R9	MG 1% 0402 E96
0 IC 38	50.65.0157	1 pce	74LVC157	Quad 2-to-1 mux 3.3V	0 R 56	57.69.1085	1 pce	3k3	CF 5% 0603
0 IC 39	50.65.0157	1 pce	74LVC157	Quad 2-to-1 mux 3.3V	0 R 57	57.69.1097	1 pce	10k	CF 5% 0603
0 IC 40	50.61.9001	1 pce	LM393	Dual voltage comp. SO 8	0 R 58	57.69.1097	1 pce	10k	CF 5% 0603
0 IC 41	50.61.2006	1 pce	L5970D	Step down switching regulator	0 R 59	57.69.1025	1 pce	10R	CF 5% 0603
0 IC 42	50.65.0244	1 pce	74LVC244	Octal buffer/line driver 3.3V	0 R 60	57.69.1025	1 pce	10R	CF 5% 0603
0 IC 43	50.62.1014	1 pce	74HC 14	Hex Schmitt trigger inverter	0 R 61	57.69.1097	1 pce	10k	CF 5% 0603
0 IC 44	1.949.969.20	1 pce	EPC1	SW411 MADI MuxSel (50.63.4298)	0 R 62	not used	1 pce	820R	MF, 1%, 0204, E24
0 IC 46	not used	1 pce	CLC014	Adaptive Cable Equalizer/Recei	0 R 63	57.69.1037	1 pce	33R	CF 5% 0603
0 IC 47	50.61.2003	1 pce	LM1117	Lin Reg 800mA adj	0 R 64	57.69.1085	1 pce	3k3	CF 5% 0603
0 IC 48	50.65.0157	1 pce	74LVC157	Quad 2-to-1 mux 3.3V	0 R 65	57.69.1037	1 pce	33R	CF 5% 0603
0 IC 49	50.65.0163	1 pce	74LVC163	4-bit Counter	0 R 66	57.60.1680	1 pce	68R	MF, 1%, 0204, E24
0 IC 50	50.65.0163	1 pce	74LVC163	4-bit Counter	0 R 67	57.69.1037	1 pce	33R	CF 5% 0603
0 IC 51	50.65.0004	1 pce	74LVC04	Hex Inverter 3.3V	0 R 68	not used	1 pce	33R	CF 5% 0603
0 IC 52	50.65.0163	1 pce	74LVC163	4-bit Counter	0 R 69	57.60.1183	1 pce	18k	MF, 1%, 0204, E24
0 IC 57	50.65.0157	1 pce	74LVC157	Quad 2-to-1 mux 3.3V	0 R 70	not used	1 pce	100R	MF, 1%, 0204, E24
0 IC 58	50.65.0157	1 pce	74LVC157	Quad 2-to-1 mux 3.3V	0 R 71	57.60.1151	1 pce	150R	MF, 1%, 0204, E24
0 L 1	62.60.0101	1 pce	1u0	SMD 10% 1210	0 R 72	57.69.1025	1 pce	10R	CF 5% 0603
0 L 2	62.60.0101	1 pce	1u0	SMD 10% 1210	0 R 73	57.60.1560	1 pce	56R	MF, 1%, 0204, E24
0 L 3	62.60.0101	1 pce	1u0	SMD 10% 1210	0 R 74	57.60.1561	1 pce	560R	MF, 1%, 0204, E24
0 L 4	62.60.0101	1 pce	1u0	SMD 10% 1210	0 R 75	not used	1 pce	100R	MF, 1%, 0204, E24
0 L 5	62.60.0518	1 pce	47uH	SMD 2.5A	0 R 76	57.69.1073	1 pce	1k0	CF 5% 0603
0 L 6	not used	1 pce	1u0	SMD 10% 1210	0 R 77	57.69.1037	1 pce	33R	CF 5% 0603
0 L 7	not used	1 pce	1u0	SMD 10% 1210	0 R 78	57.60.1680	1 pce	68R	MF, 1%, 0204, E24
0 MP 1	1.949.414.14	1 pce		MADI HD CARD PCB	0 R 79	57.69.1097	1 pce	10k	CF 5% 0603
0 MP 2	1.949.413.10	1 pce		Nr. ETIKETTE 5x20	0 R 80	57.69.1097	1 pce	10k	CF 5% 0603
0 MP 3	43.01.0108	1 pce	Label	ESE-Warnschild	0 R 81	57.69.1097	1 pce	10k	CF 5% 0603
2 MP 4	43.10.0111	1 pce	B	Revisions-Etikette 5mm h/blau	0 R 82	57.69.1097	1 pce	10k	CF 5% 0603
0 MP 10	1.949.411.02	1 pce		FRONTPLATTE MADI HD CARD RS42	0 R 83	57.69.1097	1 pce	10k	CF 5% 0603
0 MP 11	1.940.600.05	1 pce		GRIFFEINLAGE 4TE	0 R 84	57.69.1037	1 pce	33R	CF 5% 0603
0 MP 12	49.02.0514	1 pce	4TE	Frontplatten-Griffsatz	0 R 85	57.69.1037	1 pce	33R	CF 5% 0603
0 MP 13	49.02.0521	1 pce		Metal-Buchse (Rack)	0 R 86	57.60.1680	1 pce	68R	MF, 1%, 0204, E24
0 MP 14	49.02.0524	1 pce	M2.5*12	Schraube spezial	0 R 87	57.60.1560	1 pce	56R	MF, 1%, 0204, E24
0 MP 15	49.02.0522	1 pce		Kartenhalter mit Z-Schr	0 R 88	57.60.1560	1 pce	56R	MF, 1%, 0204, E24
0 MP 16	54.13.0083	1 pce	4.85mm	Bolzen M3*7.9	0 R 89	not used	1 pce	10R	CF 5% 0603
0 MP 17	24.16.2030	1 pce	3.2/6.0	Fächerscheibe Form A	0 R 90	57.60.1560	1 pce	56R	MF, 1%, 0204, E24
0 MP 18	22.01.8030	1 pce	M3	6kt-Mutter 0.5d St Zn bl	0 R 91	not used	1 pce	33R	CF 5% 0603
0 MP 19	1.023.388.31	1 pce		FLACHKABEL 10 POL. 0,05M	0 R 92	57.69.1097	1 pce	10k	CF 5% 0603
0 MP 20	not used	4 pce		LIN-FORMSCHLZNSW_KS D3 * 8	0 R 93	57.69.1097	1 pce	10k	CF 5% 0603
0 P 1	54.14.2001	1 pce	10p	1/20" Au, gerade, ohne Verrieg	0 R 94	57.69.1037	1 pce	33R	CF 5% 0603
0 P 3	54.14.5510	1 pce	10p	PCB-Buchse gerade	0 R 95	57.60.1151	1 pce	150R	MF, 1%, 0204, E24
0 P 4	54.60.0110	1 pce	50p	SMC Stecker winkel	0 R 96	not used	1 pce	10k	CF 5% 0603
0 P 5	not used	1 pce	10p	1/20" Au, gerade, Actionpin	0 R 97	not used	1 pce	75R	MF, 1%, 0204, E24
0 P 6	not used	1 pce	8p	RJ 45 Jack XLR case	0 R 98	57.69.1025	1 pce	10R	CF 5% 0603
0 P 7	54.60.0111	1 pce	80p	SMC Stecker winkel	0 R 99	57.69.1025	1 pce	10R	CF 5% 0603
0 P 8	not used	1 pce	8p	RJ 45 Jack XLR case	0 R 100	57.69.1025	1 pce	10R	CF 5% 0603
0 Q 1	50.03.1505	1 pce	VN0808L	N-VAMOS-FET 80V, 0.35A	0 R 101	57.69.1097	1 pce	10k	CF 5% 0603
0 Q 2	50.03.1505	1 pce	VN0808L	N-VAMOS-FET 80V, 0.35A	0 R 102	57.69.1097	1 pce	10k	CF 5% 0603
0 Q 3	50.60.2201	1 pce	BSP372	PowerMOS N-Ch 100V, 0.31Ohm	0 R 103	57.69.1097	1 pce	10k	CF 5% 0603
0 R 1	57.69.1097	1 pce	10k	CF 5% 0603	0 R 104	57.69.1097	1 pce	10k	CF 5% 0603
0 R 2	57.69.1097	1 pce	10k	CF 5% 0603	0 R 105	57.69.1097	1 pce	10k	CF 5% 0603
0 R 3	57.69.1073	1 pce	1k0	CF 5% 0603	0 R 106	57.69.1097	1 pce	10k	CF 5% 0603
0 R 4	57.60.1152	1 pce	1k5	MF, 1%, 0204, E24	0 R 107	57.69.1097	1 pce	10k	CF 5% 0603
0 R 5	57.60.1152	1 pce	1k5	MF, 1%, 0204, E24	0 R 108	57.69.1097	1 pce	10k	CF 5% 0603
0 R 6	57.60.1221	1 pce	220R	MF, 1%, 0204, E24	0 R 109	57.69.1097	1 pce	10k	CF 5% 0603
0 R 7	57.69.1097	1 pce	10k	CF 5% 0603	0 R 110	57.69.1097	1 pce	10k	CF 5% 0603
0 R 8	57.69.1025	1 pce	10R	CF 5% 0603	0 R 111	57.69.1097	1 pce	10k	CF 5% 0603
0 R 9	57.69.1073	1 pce	1k0	CF 5% 0603	0 R 112	57.69.1097	1 pce	10k	CF 5% 0603
0 R 10	57.69.1097	1 pce	10k	CF 5% 0603	0 R 113	57.69.1097	1 pce	10k	CF 5% 0603
0 R 11	57.69.1097	1 pce	10k	CF 5% 0603	0 R 114	not used	1 pce	10k	CF 5% 0603
0 R 12	57.69.1097	1 pce	10k	CF 5% 0603	0 R 115	not used	1 pce	75R	MF, 1%, 0204, E24
0 R 13	57.60.1152	1 pce	1k5	MF, 1%, 0204, E24	0 R 116	57.69.1037	1 pce	33R	CF 5% 0603
0 R 14	57.69.1073	1 pce	1k0	CF 5% 0603	0 R 117	57.69.1037	1 pce	33R	CF 5% 0603
0 R 15	57.69.1097	1 pce	10k	CF 5% 0603	0 R 118	57.69.1097	1 pce	10k	CF 5% 0603
0 R 16	57.60.1471	1 pce	470R	MF, 1%, 0204, E24	0 R 119	57.69.1097	1 pce	10k	CF 5% 0603

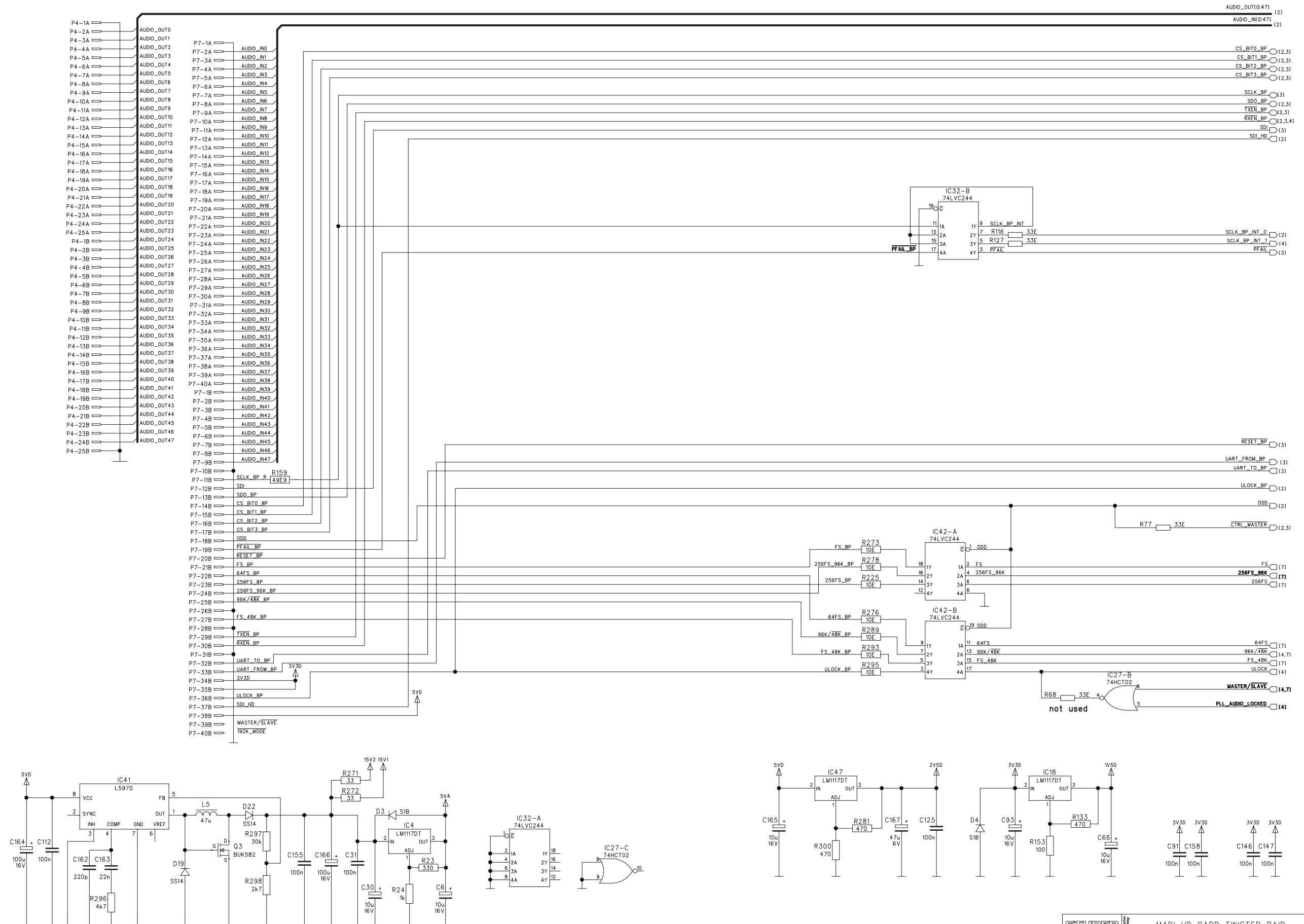
MADI HD Card, long-distance version 1.949.413.23 (2)

Idx. Pos.	Part No.	Qty.	Type/Val.	Description	Idx. Pos.	Part No.	Qty.	Type/Val.	Description
0 R 120	57.69.1097	1 pce	10k	CF 5% 0603	0 R 229	57.60.1104	1 pce	100k	MF, 1%, 0204, E24
0 R 121	57.69.1097	1 pce	10k	CF 5% 0603	0 R 230	57.69.1097	1 pce	10k	CF 5% 0603
0 R 122	57.69.1097	1 pce	10k	CF 5% 0603	0 R 231	57.60.1102	1 pce	1k0	MF, 1%, 0204, E24
0 R 123	not used	1 pce	82R	CF 5% 0603	0 R 232	57.69.1499	1 pce	49R9	MG 1% 0402 E96
0 R 124	not used	1 pce	82R	CF 5% 0603	0 R 233	57.69.1499	1 pce	49R9	MG 1% 0402 E96
0 R 125	57.69.1000	1 pce	0R0	CF 5% 0603	0 R 234	57.69.1037	1 pce	33R	CF 5% 0603
0 R 126	57.69.1000	1 pce	0R0	CF 5% 0603	0 R 235	57.69.1037	1 pce	33R	CF 5% 0603
0 R 127	57.69.1037	1 pce	33R	CF 5% 0603	0 R 236	57.69.1037	1 pce	33R	CF 5% 0603
0 R 128	57.69.1097	1 pce	10k	CF 5% 0603	0 R 237	57.69.1037	1 pce	33R	CF 5% 0603
0 R 129	57.69.1097	1 pce	10k	CF 5% 0603	0 R 238	57.60.1821	1 pce	820R	MF, 1%, 0204, E24
0 R 130	57.69.1097	1 pce	10k	CF 5% 0603	0 R 239	57.69.1073	1 pce	1k0	CF 5% 0603
0 R 131	57.69.1097	1 pce	10k	CF 5% 0603	0 R 240	57.69.1499	1 pce	49R9	MG 1% 0402 E96
0 R 132	57.69.1097	1 pce	10k	CF 5% 0603	0 R 241	57.69.1073	1 pce	1k0	CF 5% 0603
0 R 133	57.60.1471	1 pce	470R	MF, 1%, 0204, E24	0 R 242	57.69.1097	1 pce	10k	CF 5% 0603
0 R 134	57.69.1097	1 pce	10k	CF 5% 0603	0 R 243	57.69.1097	1 pce	10k	CF 5% 0603
0 R 135	not used	1 pce	33R	CF 5% 0603	0 R 244	57.69.1097	1 pce	10k	CF 5% 0603
0 R 136	not used	1 pce	33R	CF 5% 0603	0 R 245	57.69.1097	1 pce	10k	CF 5% 0603
0 R 137	57.69.1097	1 pce	10k	CF 5% 0603	0 R 246	57.69.1097	1 pce	10k	CF 5% 0603
0 R 138	57.69.1097	1 pce	10k	CF 5% 0603	0 R 247	57.69.1097	1 pce	10k	CF 5% 0603
0 R 139	57.69.1097	1 pce	10k	CF 5% 0603	0 R 248	57.69.1097	1 pce	10k	CF 5% 0603
0 R 140	57.60.1181	1 pce	180R	MF, 1%, 0204, E24	0 R 249	57.69.1097	1 pce	10k	CF 5% 0603
0 R 141	57.60.1101	1 pce	100R	MF, 1%, 0204, E24	0 R 250	57.69.1097	1 pce	10k	CF 5% 0603
0 R 142	57.60.1101	1 pce	100R	MF, 1%, 0204, E24	0 R 251	57.69.1097	1 pce	10k	CF 5% 0603
0 R 143	57.60.1820	1 pce	82R	MF, 1%, 0204, E24	0 R 252	57.69.1097	1 pce	10k	CF 5% 0603
0 R 144	57.60.1131	1 pce	130R	MF, 1%, 0204, E24	0 R 253	57.69.1097	1 pce	10k	CF 5% 0603
0 R 145	57.60.1820	1 pce	82R	MF, 1%, 0204, E24	0 R 254	57.69.1097	1 pce	10k	CF 5% 0603
0 R 146	57.60.1131	1 pce	130R	MF, 1%, 0204, E24	0 R 255	57.69.1097	1 pce	10k	CF 5% 0603
0 R 147	57.69.1499	1 pce	49R9	MG 1% 0402 E96	0 R 256	not used	1 pce	100R	MF, 1%, 0204, E24
0 R 148	57.69.1097	1 pce	10k	CF 5% 0603	0 R 257	57.60.1102	1 pce	1k0	MF, 1%, 0204, E24
0 R 149	57.69.1097	1 pce	10k	CF 5% 0603	0 R 258	57.60.1104	1 pce	100k	MF, 1%, 0204, E24
0 R 150	not used	1 pce	22R	CF 5% 0603	0 R 259	57.60.1124	1 pce	120k	MF, 1%, 0204, E24
0 R 151	not used	1 pce	22R	CF 5% 0603	0 R 260	57.60.1102	1 pce	1k0	MF, 1%, 0204, E24
0 R 152	57.60.1181	1 pce	180R	MF, 1%, 0204, E24	0 R 261	57.60.1104	1 pce	100k	MF, 1%, 0204, E24
0 R 153	57.60.1101	1 pce	100R	MF, 1%, 0204, E24	0 R 262	57.60.1102	1 pce	1k0	MF, 1%, 0204, E24
0 R 154	57.69.1097	1 pce	10k	CF 5% 0603	0 R 263	57.60.1124	1 pce	120k	MF, 1%, 0204, E24
0 R 155	57.69.1097	1 pce	10k	CF 5% 0603	0 R 264	57.60.1104	1 pce	100k	MF, 1%, 0204, E24
0 R 156	57.69.1097	1 pce	10k	CF 5% 0603	0 R 265	57.60.1562	1 pce	5k6	MF, 1%, 0204, E24
0 R 157	57.69.1037	1 pce	33R	CF 5% 0603	0 R 266	57.60.1104	1 pce	100k	MF, 1%, 0204, E24
0 R 159	57.69.1499	1 pce	49R9	MG 1% 0402 E96	0 R 267	not used	1 pce	10k	CF 5% 0603
0 R 160	not used	1 pce	82R	CF 5% 0603	0 R 268	not used	1 pce	75R	MF, 1%, 0204, E24
0 R 161	not used	1 pce	82R	CF 5% 0603	0 R 269	57.60.1131	1 pce	130R	MF, 1%, 0204, E24
0 R 162	57.69.1097	1 pce	10k	CF 5% 0603	0 R 270	57.60.1820	1 pce	82R	MF, 1%, 0204, E24
0 R 163	57.69.1097	1 pce	10k	CF 5% 0603	0 R 271	57.60.1330	1 pce	33R	MF, 1%, 0204, E24
0 R 165	57.69.1037	1 pce	33R	CF 5% 0603	0 R 272	57.60.1330	1 pce	33R	MF, 1%, 0204, E24
0 R 166	57.60.1101	1 pce	100R	MF, 1%, 0204, E24	0 R 273	57.69.1025	1 pce	10R	CF 5% 0603
0 R 167	57.60.1101	1 pce	100R	MF, 1%, 0204, E24	0 R 274	not used	1 pce	10k	CF 5% 0603
0 R 168	57.60.1820	1 pce	82R	MF, 1%, 0204, E24	0 R 275	not used	1 pce	75R	MF, 1%, 0204, E24
0 R 169	57.60.1131	1 pce	130R	MF, 1%, 0204, E24	0 R 276	57.69.1025	1 pce	10R	CF 5% 0603
0 R 170	57.60.1820	1 pce	82R	MF, 1%, 0204, E24	0 R 277	57.60.1181	1 pce	180R	MF, 1%, 0204, E24
0 R 171	57.60.1131	1 pce	130R	MF, 1%, 0204, E24	0 R 278	57.69.1025	1 pce	10R	CF 5% 0603
0 R 172	57.69.1097	1 pce	10k	CF 5% 0603	0 R 279	57.60.1181	1 pce	180R	MF, 1%, 0204, E24
0 R 174	not used	1 pce	3k3	CF 5% 0603	0 R 280	57.69.1073	1 pce	1k0	CF 5% 0603
0 R 175	57.69.1499	1 pce	49R9	MG 1% 0402 E96	0 R 281	57.60.1471	1 pce	470R	MF, 1%, 0204, E24
0 R 176	57.69.1085	1 pce	3k3	CF 5% 0603	0 R 282	not used	1 pce	33R	CF 5% 0603
0 R 177	57.60.1101	1 pce	100R	MF, 1%, 0204, E24	0 R 283	not used	1 pce	33R	CF 5% 0603
0 R 178	57.69.1097	1 pce	10k	CF 5% 0603	0 R 284	57.60.1105	1 pce	1M0	MF, 1%, 0204, E24
0 R 179	57.69.1097	1 pce	10k	CF 5% 0603	0 R 285	57.60.1471	1 pce	470R	MF, 1%, 0204, E24
0 R 180	57.60.1121	1 pce	120R	MF, 1%, 0204, E24	0 R 286	57.69.1073	1 pce	1k0	CF 5% 0603
0 R 181	not used	1 pce	82R	CF 5% 0603	0 R 287	57.69.1037	1 pce	33R	CF 5% 0603
0 R 182	not used	1 pce	82R	CF 5% 0603	0 R 289	57.69.1025	1 pce	10R	CF 5% 0603
0 R 183	57.69.1000	1 pce	0R0	CF 5% 0603	0 R 290	not used	1 pce	22R	CF 5% 0603
0 R 184	57.69.1000	1 pce	0R0	CF 5% 0603	0 R 291	not used	1 pce	22R	CF 5% 0603
0 R 185	57.60.1103	1 pce	10k	MF, 1%, 0204, E24	0 R 293	57.69.1025	1 pce	10R	CF 5% 0603
0 R 186	57.69.1097	1 pce	10k	CF 5% 0603	0 R 294	57.69.1073	1 pce	1k0	CF 5% 0603
0 R 187	not used	1 pce	3k3	CF 5% 0603	0 R 295	57.69.1025	1 pce	10R	CF 5% 0603
0 R 188	57.60.1151	1 pce	150R	MF, 1%, 0204, E24	0 R 296	57.60.1472	1 pce	4k7	MF, 1%, 0204, E24
0 R 189	57.69.1097	1 pce	10k	CF 5% 0603	0 R 297	57.60.1303	1 pce	30k	MF, 1%, 0204, E24
0 R 190	57.69.1097	1 pce	10k	CF 5% 0603	0 R 298	57.60.1272	1 pce	2k7	MF, 1%, 0204, E24
0 R 191	not used	1 pce	49R9	MG 1% 0402 E96	0 R 299	57.69.1097	1 pce	10k	CF 5% 0603
0 R 192	not used	1 pce	49R9	MG 1% 0402 E96	0 R 300	57.60.1471	1 pce	470R	MF, 1%, 0204, E24
0 R 193	57.69.1097	1 pce	10k	CF 5% 0603	0 R 303	not used	1 pce	82R	CF 5% 0603
0 R 194	57.60.1680	1 pce	68R	MF, 1%, 0204, E24	0 R 304	not used	1 pce	82R	CF 5% 0603
0 R 195	57.69.1073	1 pce	1k0	CF 5% 0603	0 S 1	55.60.0108	1 pce	8p	SMD DIL-Switch
0 R 196	57.69.1073	1 pce	1k0	CF 5% 0603	0 S 2	55.60.0108	1 pce	8p	SMD DIL-Switch
0 R 197	57.60.1104	1 pce	100k	MF, 1%, 0204, E24	0 S 3	55.11.0007	1 pce	SPDT	Toggle 1 * on-off-on Ag
0 R 198	57.60.1561	1 pce	560R	MF, 1%, 0204, E24	0 S 4	55.12.1141	1 pce	N=10	Rotary Switch, right angle
0 R 199	57.60.1561	1 pce	560R	MF, 1%, 0204, E24	0 S 5	not used	1 pce	8p	SMD DIL-Switch
0 R 200	57.60.1123	1 pce	12k	MF, 1%, 0204, E24	0 T 1	not used	1 pce	1:1	Ethernet Transformer 10/100
0 R 201	57.60.1123	1 pce	12k	MF, 1%, 0204, E24	0 T 2	not used	1 pce	1:1	Ethernet Transformer 10/100
0 R 202	57.60.1561	1 pce	560R	MF, 1%, 0204, E24	0 T 3	not used	1 pce	1:1	Ethernet Transformer 10/100
0 R 203	57.60.1561	1 pce	560R	MF, 1%, 0204, E24	0 T 4	not used	1 pce	1:1	Ethernet Transformer 10/100
0 R 204	57.60.1104	1 pce	100k	MF, 1%, 0204, E24	0 TP 8	not used	1 pce	2.8*0.8	PCB-Flachstecker, gerade
0 R 205	57.69.1097	1 pce	10k	CF 5% 0603	0 XIC 1	53.03.0166	1 pce	8p	DIL-socket 0.3"
0 R 207	57.60.1680	1 pce	68R	MF, 1%, 0204, E24	0 XIC 14	53.60.0232	1 pce	32p	PLCC, SMD
0 R 208	57.60.1681	1 pce	680R	MF, 1%, 0204, E24	0 XIC 44	53.03.0166	1 pce	8p	DIL-socket 0.3"
0 R 209	57.60.1681	1 pce	680R	MF, 1%, 0204, E24	0 Y 1	89.60.1004	1 pce	22.1184MHz	SMD Quartz
0 R 210	57.69.1097	1 pce	10k	CF 5% 0603	0 Y 2	89.60.1006	1 pce	24.576MHz	SMD Quartz
0 R 211	57.69.1097	1 pce	10k	CF 5% 0603					
0 R 212	57.60.1151	1 pce	150R	MF, 1%, 0204, E24					
0 R 213	57.69.1085	1 pce	3k3	CF 5% 0603					
0 R 214	57.69.1097	1 pce	10k	CF 5% 0603					
0 R 217	57.60.1131	1 pce	130R	MF, 1%, 0204, E24					
0 R 218	57.60.1820	1 pce	82R	MF, 1%, 0204, E24					
0 R 219	57.60.1221	1 pce	220R	MF, 1%, 0204, E24					
0 R 220	57.60.1104	1 pce	100k	MF, 1%, 0204, E24					
0 R 221	57.60.1221	1 pce	220R	MF, 1%, 0204, E24					
0 R 222	57.69.1499	1 pce	49R9	MG 1% 0402 E96					
0 R 223	57.69.1097	1 pce	10k	CF 5% 0603					
0 R 224	57.69.1097	1 pce	10k	CF 5% 0603					
0 R 225	57.69.1025	1 pce	10R	CF 5% 0603					
0 R 226	57.69.1499	1 pce	49R9	MG 1% 0402 E96					
0 R 227	57.60.1103	1 pce	10k	MF, 1%, 0204, E24					
0 R 228	57.69.1097	1 pce	10k	CF 5% 0603					

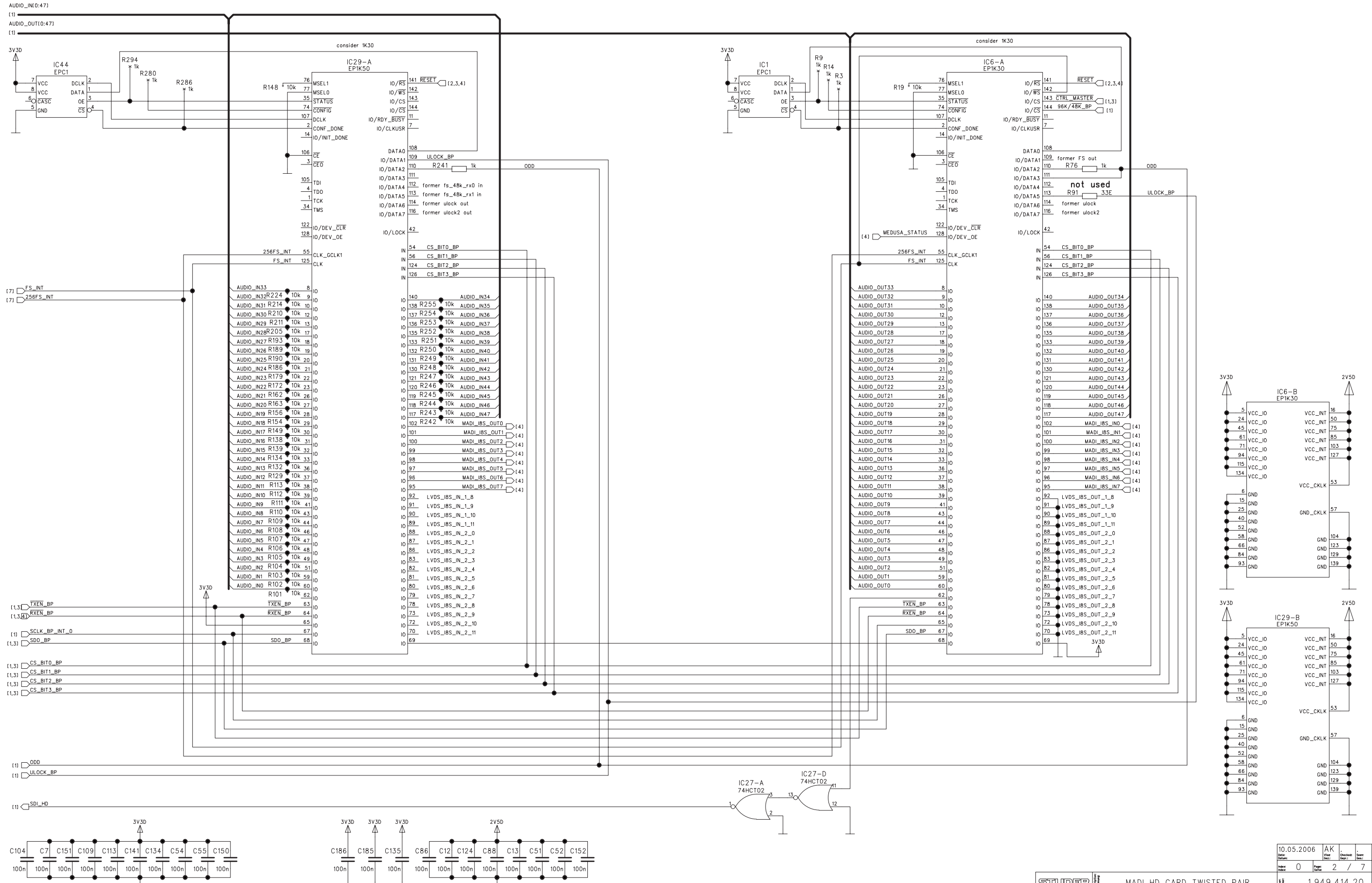
End of List

Comments:

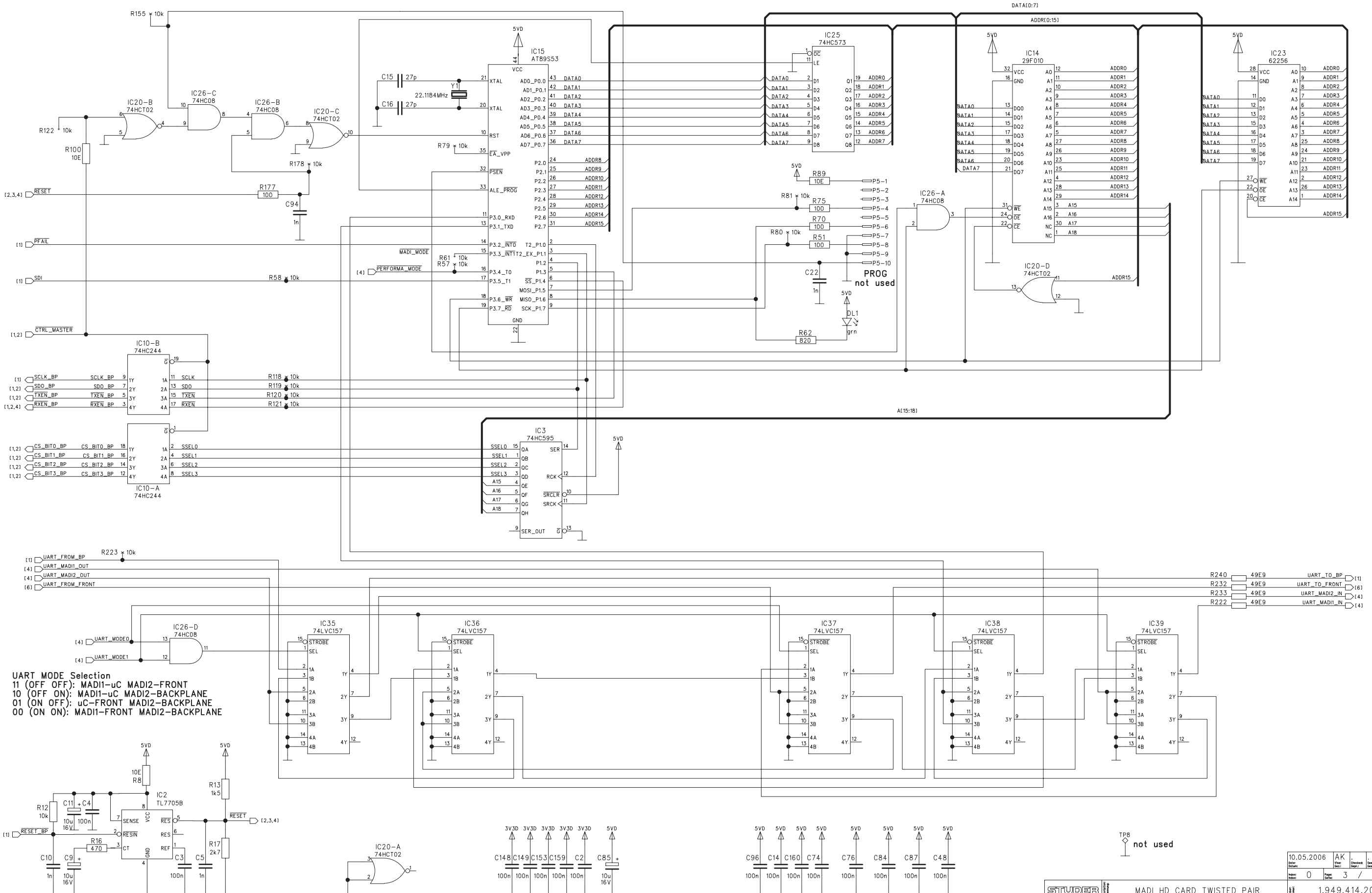
(02) 05.09.06 C15, C16 not used
 (02) 08.11.06 C15, C16 used; label B



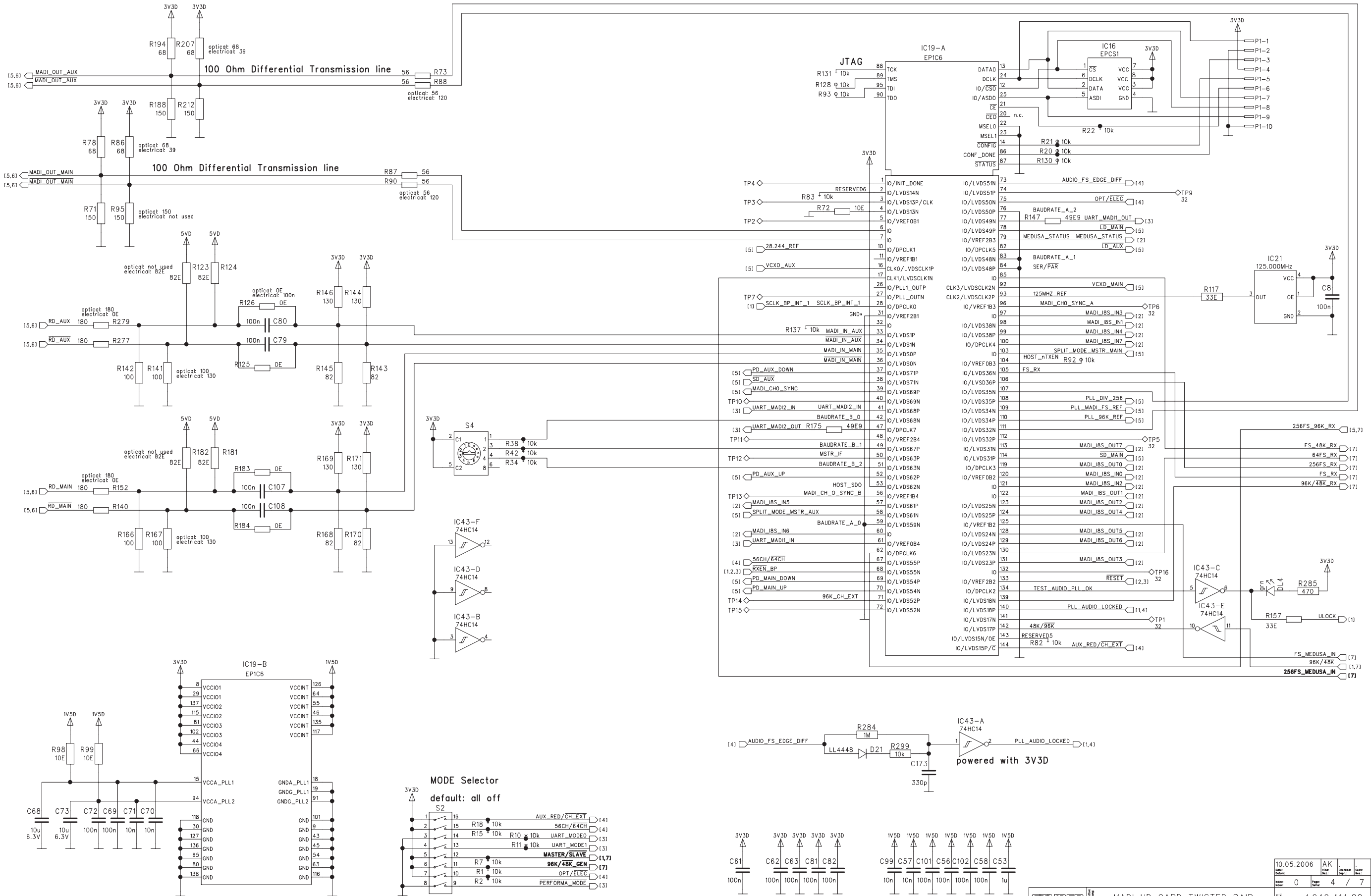
MADI HD Card, twisted-pair version 1.949.414.20 (2)

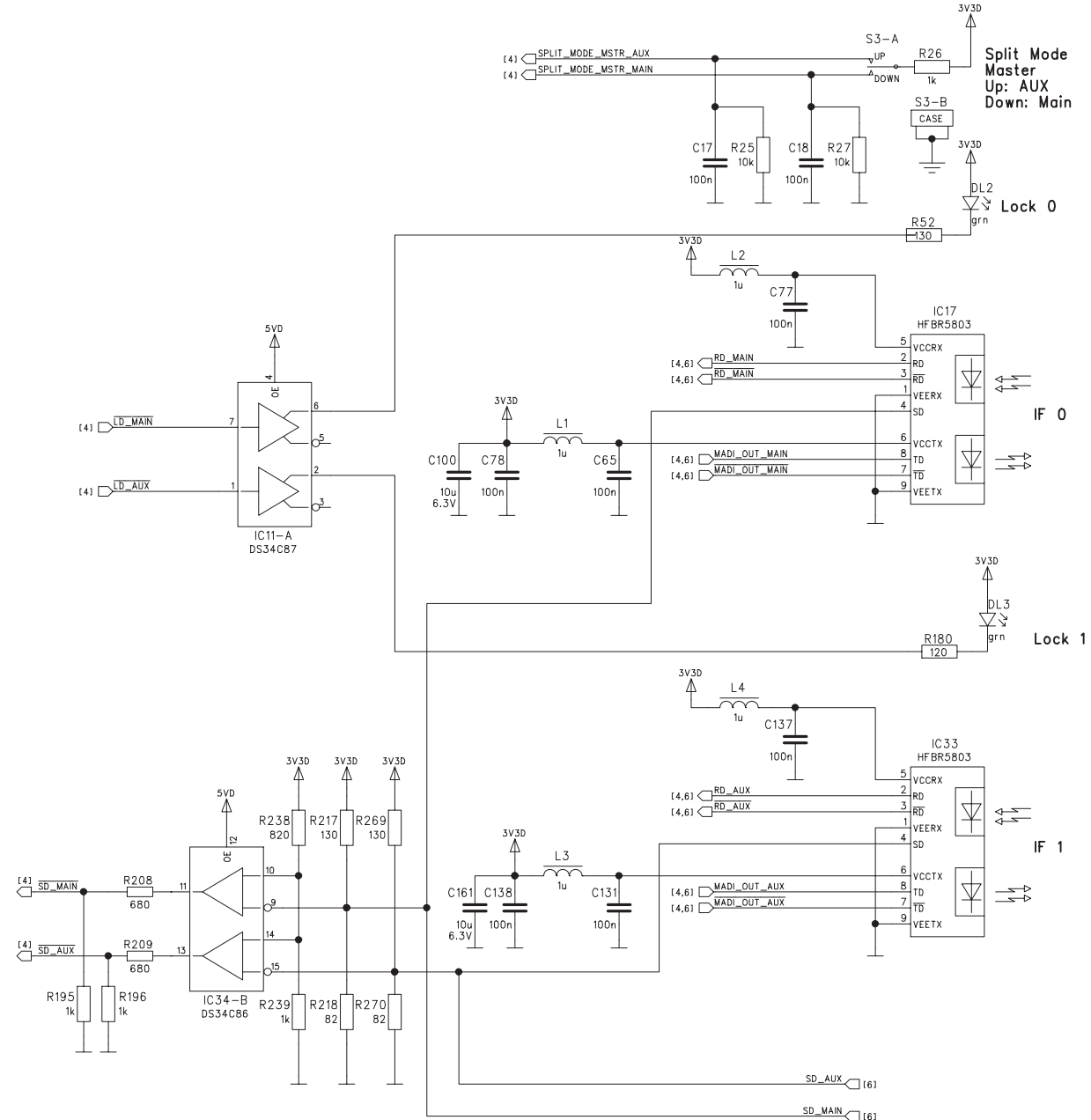
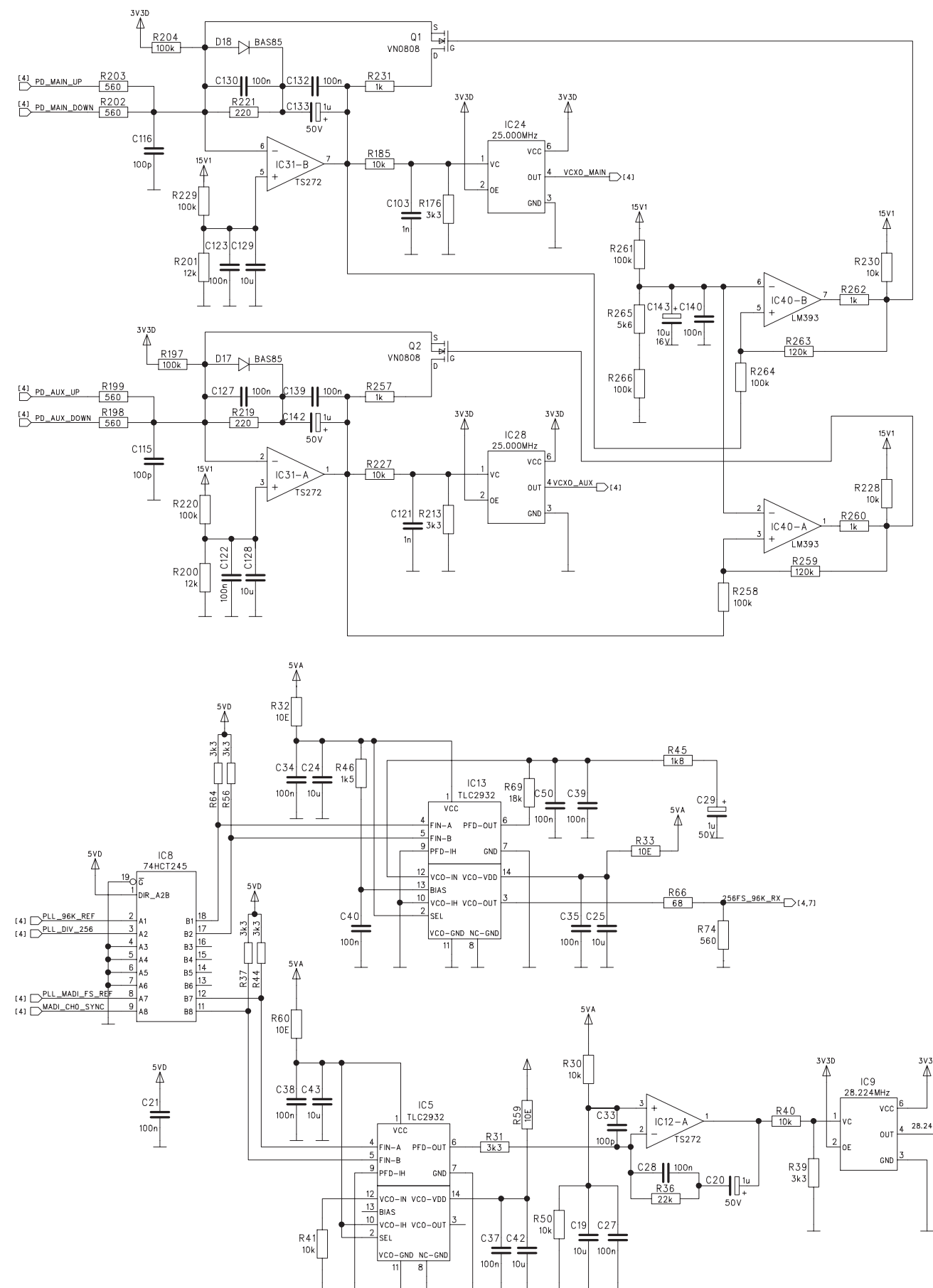


Date printed: 02.10.07

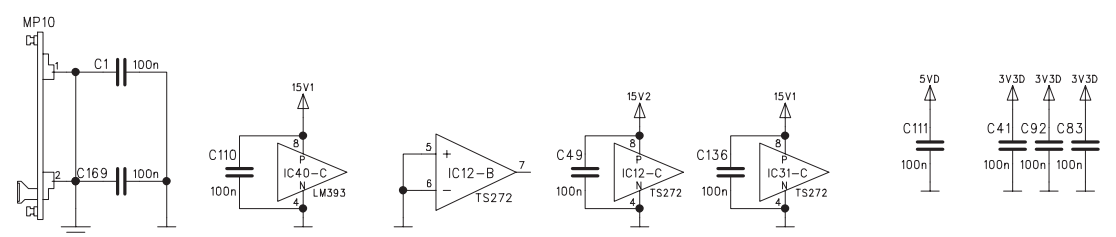


MADI HD Card, twisted-pair version 1.949.414.20 (2)

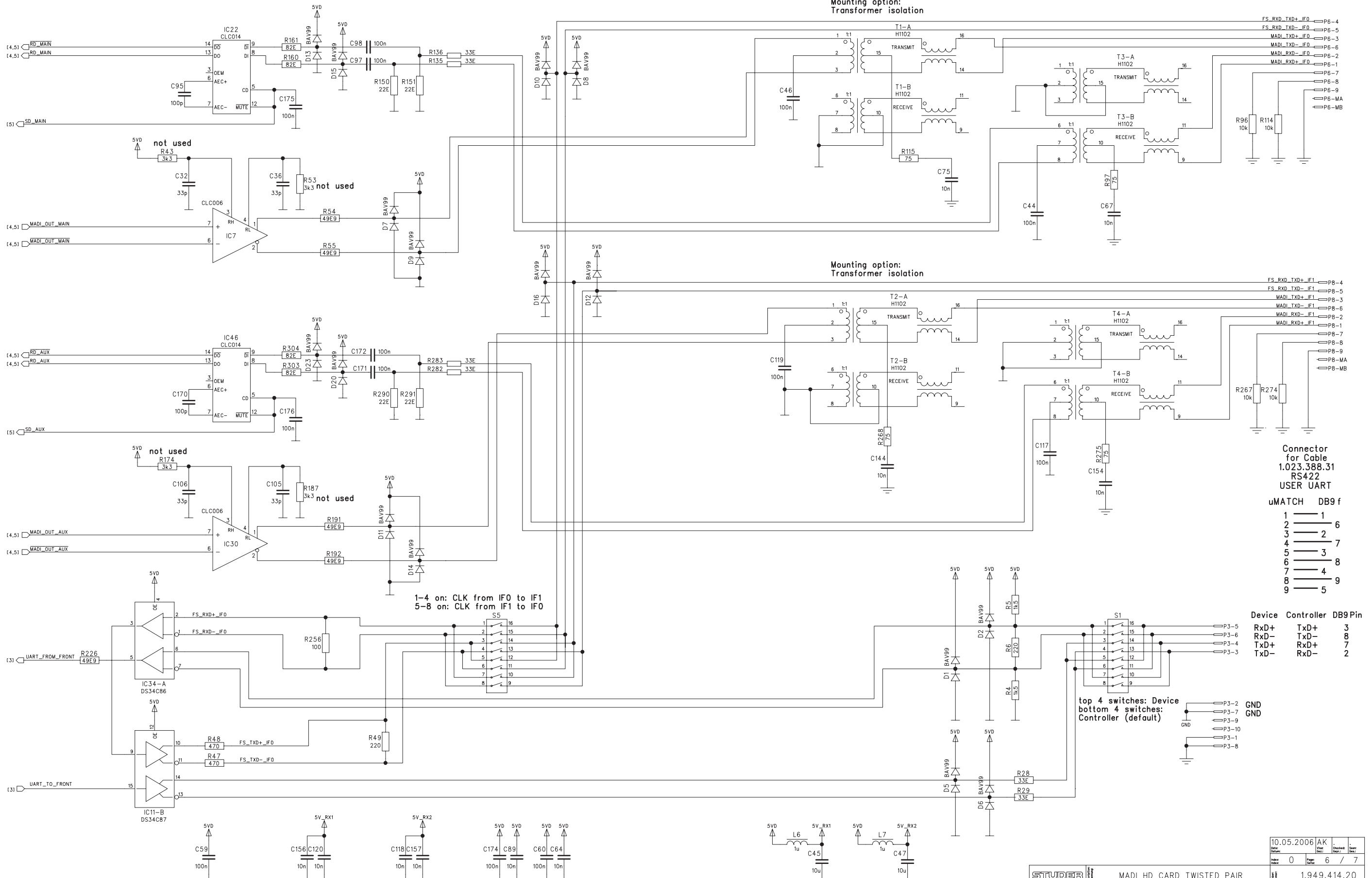


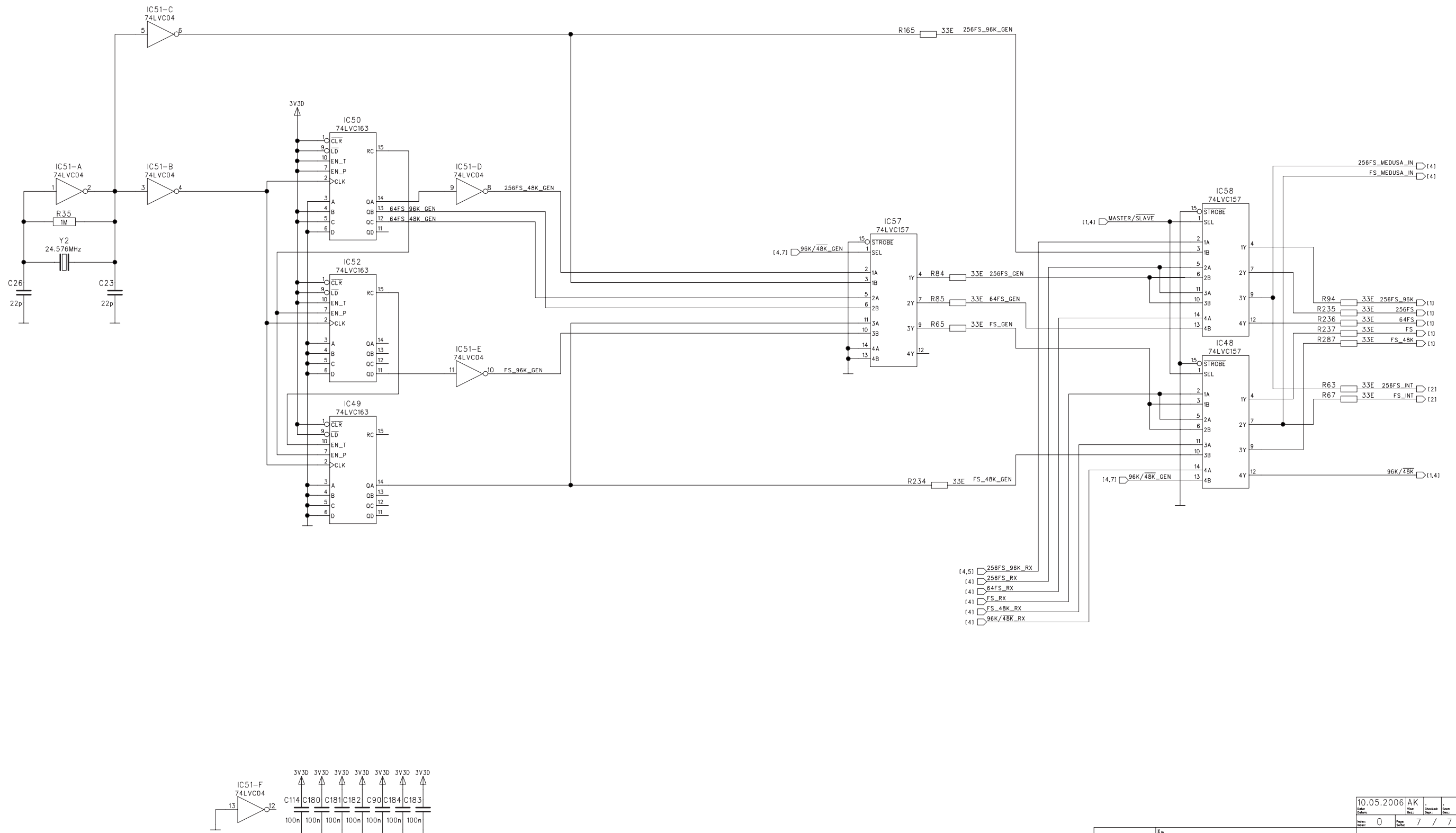


R217, R269: optical: 130 electrical: not used
 R218, R270: optical: 82 electrical: not used

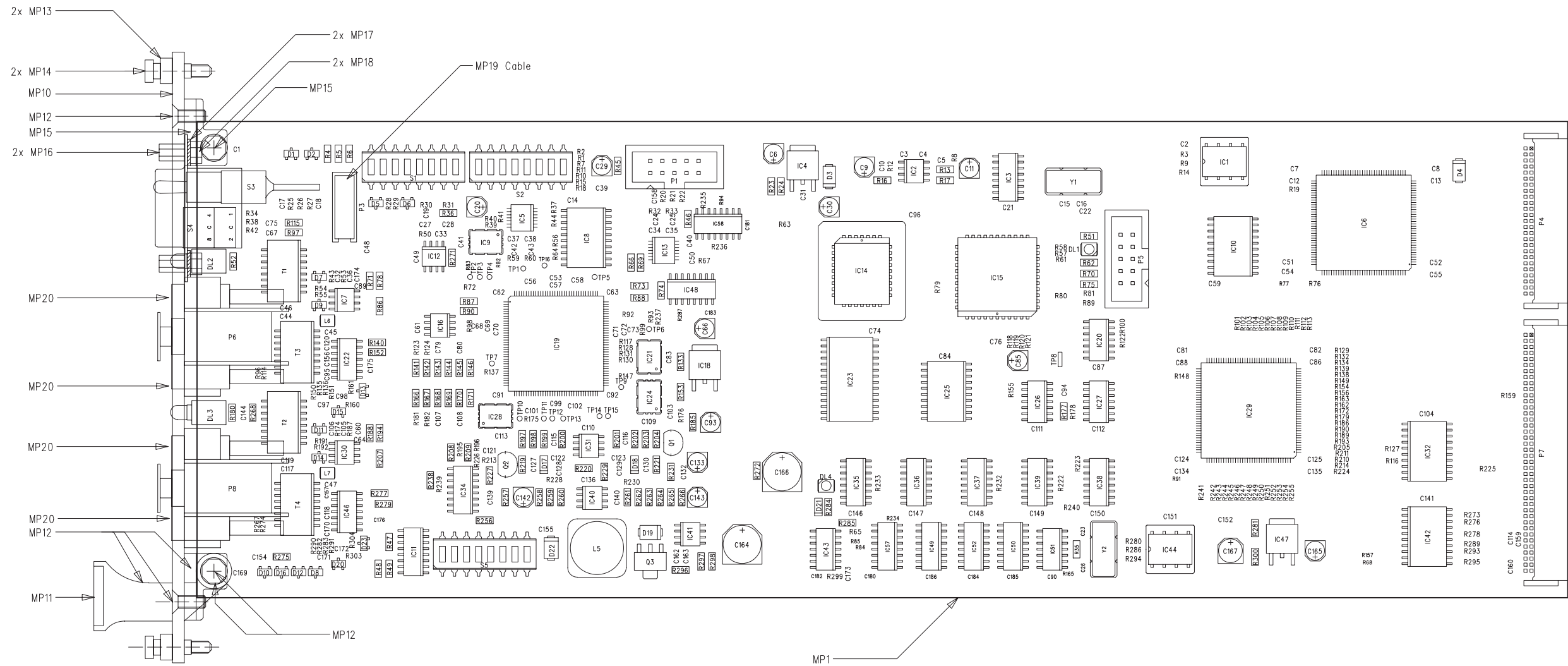


MADI HD Card, twisted-pair version 1.949.414.20 (2)





MADI HD Card, twisted-pair version 1.949.414.20 (2)



10.05.2006	WO	AK	HW
0	1	1	1

MADI HD Card, twisted-pair version 1.949.414.20 (2)

Idx. Pos.	Part No.	Qty.	Type/Val.	Description	Idx. Pos.	Part No.	Qty.	Type/Val.	Description
0 DL 3	50.04.2751	1 pce	gm	LED mit Halter	0 R 17	57.60.1272	1 pce	2k7	MF, 1%, 0204, E24
0 DL 4	50.60.9414	1 pce	gm	SMD LED 2.7*3.5	0 R 18	57.69.1097	1 pce	10k	CF 5% 0603
0 IC 1	1.949.970.20	1 pce	EPC1	SW411 MADI SelMux (50.63.4298)	0 R 19	57.69.1097	1 pce	10k	CF 5% 0603
0 IC 2	50.63.2001	1 pce	7705B	Reset Generator	0 R 20	57.69.1097	1 pce	10k	CF 5% 0603
0 IC 3	50.62.1595	1 pce	74HC595	8bit shift/output register	0 R 21	57.69.1097	1 pce	10k	CF 5% 0603
0 IC 4	50.61.2003	1 pce	LM1117	Lin Reg 800mA adj	0 R 22	57.69.1097	1 pce	10k	CF 5% 0603
0 IC 5	50.62.0260	1 pce	TLC 2932	Phase-locked Loop	0 R 23	57.60.1331	1 pce	330R	MF, 1%, 0204, E24
0 IC 6	50.63.4215	1 pce	EP1K30	PLD 30 000 gates	0 R 24	57.60.1102	1 pce	1k0	MF, 1%, 0204, E24
0 IC 7	50.62.0471	1 pce	CLC006	Cable Driver	0 R 25	57.69.1097	1 pce	10k	CF 5% 0603
0 IC 8	50.62.3245	1 pce	74HCT245	Octal bus transceiver	0 R 26	57.69.1073	1 pce	1k0	CF 5% 0603
0 IC 9	89.60.2152	1 pce	28.224MHz	VCOscillator 3.3V	0 R 27	57.69.1097	1 pce	10k	CF 5% 0603
0 IC 10	50.62.1244	1 pce	74HC244	Octal buffer line driver/recei	0 R 28	57.69.1037	1 pce	33R	CF 5% 0603
0 IC 11	50.62.0464	1 pce	DS34C87	4*RS 422 Line Driver	0 R 29	57.69.1037	1 pce	33R	CF 5% 0603
0 IC 12	50.61.0205	1 pce	TS272CD	Dual Op-Amp CMOS SO 8	0 R 30	57.69.1097	1 pce	10k	CF 5% 0603
0 IC 13	50.62.0260	1 pce	TLC 2932	Phase-locked Loop	0 R 31	57.69.1085	1 pce	3k3	CF 5% 0603
0 IC 14	50.63.1303	1 pce	29F010	Flash Memory 128K*8	0 R 32	57.69.1025	1 pce	10R	CF 5% 0603
0 IC 15	1.949.961.20	1 pce		SW410 for merger (50.63.0010)	0 R 33	57.69.1025	1 pce	10R	CF 5% 0603
0 IC 16	1.949.971.24	1 pce	EPCS1	SW411/13/30/31 Medusa (EPCS1)	0 R 34	57.69.1097	1 pce	10k	CF 5% 0603
0 IC 17	not used	1 pce	AFBR5803	LWL Transceiver FDDI/MADI	0 R 35	57.60.1105	1 pce	1M0	MF, 1%, 0204, E24
0 IC 18	50.61.2003	1 pce	LM1117	Lin Reg 800mA adj	0 R 36	57.60.1223	1 pce	22k	MF, 1%, 0204, E24
0 IC 19	50.63.4216	1 pce	EP1C6T	FPGA 6000 logic elements	0 R 37	57.69.1085	1 pce	3k3	CF 5% 0603
0 IC 20	50.62.3002	1 pce	74HCT 02	Quad 2input NOR	0 R 38	57.69.1097	1 pce	10k	CF 5% 0603
0 IC 21	89.60.2005	1 pce	125MHz	XTAL Oscillator 3.3V	0 R 39	57.69.1085	1 pce	3k3	CF 5% 0603
0 IC 22	50.62.0470	1 pce	CLC014	Adaptive Cable Equalizer/Recei	0 R 40	57.69.1097	1 pce	10k	CF 5% 0603
0 IC 23	50.63.1503	1 pce	62256	SRAM 32K*8, 100ns	0 R 41	57.69.1097	1 pce	10k	CF 5% 0603
0 IC 24	89.60.2151	1 pce	25.0MHz	VCOscillator 3.3V	0 R 42	57.69.1097	1 pce	10k	CF 5% 0603
0 IC 25	50.62.1573	1 pce	74HC573	Octal D-type latch	0 R 43	not used	1 pce	3k3	CF 5% 0603
0 IC 26	50.62.1008	1 pce	74HC 08	Quad 2input AND	0 R 44	57.69.1085	1 pce	3k3	CF 5% 0603
0 IC 27	50.62.3002	1 pce	74HCT 02	Quad 2input NOR	0 R 45	57.60.1182	1 pce	1k8	MF, 1%, 0204, E24
0 IC 28	89.60.2151	1 pce	25.0MHz	VCOscillator 3.3V	0 R 46	57.60.1152	1 pce	1k5	MF, 1%, 0204, E24
0 IC 29	50.63.4213	1 pce	EP1K50	PLD 50 000 gates	0 R 47	57.60.1471	1 pce	470R	MF, 1%, 0204, E24
0 IC 30	50.62.0471	1 pce	CLC006	Cable Driver	0 R 48	57.60.1471	1 pce	470R	MF, 1%, 0204, E24
0 IC 31	50.61.0205	1 pce	TS272CD	Dual Op-Amp CMOS SO 8	0 R 49	57.60.1221	1 pce	220R	MF, 1%, 0204, E24
0 IC 32	50.65.0244	1 pce	74LVC244	Octal buffer/line driver 3.3V	0 R 50	57.69.1097	1 pce	10k	CF 5% 0603
0 IC 33	not used	1 pce	AFBR5803	LWL Transceiver FDDI/MADI	0 R 51	not used	1 pce	100R	MF, 1%, 0204, E24
0 IC 34	50.62.0463	1 pce	DS34C86	4*RS 422 Line Receiver	0 R 52	57.60.1131	1 pce	130R	MF, 1%, 0204, E24
0 IC 35	50.65.0157	1 pce	74LVC157	Quad 2-to1 mux 3.3V	0 R 53	not used	1 pce	3k3	CF 5% 0603
0 IC 36	50.65.0157	1 pce	74LVC157	Quad 2-to1 mux 3.3V	0 R 54	57.69.1499	1 pce	49R9	MG 1% 0402 E96
0 IC 37	50.65.0157	1 pce	74LVC157	Quad 2-to1 mux 3.3V	0 R 55	57.69.1499	1 pce	49R9	MG 1% 0402 E96
0 IC 38	50.65.0157	1 pce	74LVC157	Quad 2-to1 mux 3.3V	0 R 56	57.69.1085	1 pce	3k3	CF 5% 0603
0 IC 39	50.65.0157	1 pce	74LVC157	Quad 2-to1 mux 3.3V	0 R 57	57.69.1097	1 pce	10k	CF 5% 0603
0 IC 40	50.61.9001	1 pce	LM393	Dual voltage comp. SO 8	0 R 58	57.69.1097	1 pce	10k	CF 5% 0603
0 IC 41	50.61.2006	1 pce	L5970D	Step down switching regulator	0 R 59	57.69.1025	1 pce	10R	CF 5% 0603
0 IC 42	50.65.0244	1 pce	74LVC244	Octal buffer/line driver 3.3V	0 R 60	57.69.1025	1 pce	10R	CF 5% 0603
0 IC 43	50.62.1014	1 pce	74HC 14	Hex Schmitt trigger inverter	0 R 61	57.69.1097	1 pce	10k	CF 5% 0603
0 IC 44	1.949.969.20	1 pce	EPC1	SW411 MADI MuxSel (50.63.4298)	0 R 62	not used	1 pce	820R	MF, 1%, 0204, E24
0 IC 46	50.62.0470	1 pce	CLC014	Adaptive Cable Equalizer/Recei	0 R 63	57.69.1037	1 pce	33R	CF 5% 0603
0 IC 47	50.61.2003	1 pce	LM1117	Lin Reg 800mA adj	0 R 64	57.69.1085	1 pce	3k3	CF 5% 0603
0 IC 48	50.65.0157	1 pce	74LVC157	Quad 2-to1 mux 3.3V	0 R 65	57.69.1037	1 pce	33R	CF 5% 0603
0 IC 49	50.65.0163	1 pce	74LVC163	4-bit Counter	0 R 66	57.60.1680	1 pce	68R	MF, 1%, 0204, E24
0 IC 50	50.65.0163	1 pce	74LVC163	4-bit Counter	0 R 67	57.69.1037	1 pce	33R	CF 5% 0603
0 IC 51	50.65.0004	1 pce	74LVC04	Hex Inverter 3.3V	0 R 68	not used	1 pce	33R	CF 5% 0603
0 IC 52	50.65.0163	1 pce	74LVC163	4-bit Counter	0 R 69	57.60.1183	1 pce	18k	MF, 1%, 0204, E24
0 IC 57	50.65.0157	1 pce	74LVC157	Quad 2-to1 mux 3.3V	0 R 70	not used	1 pce	100R	MF, 1%, 0204, E24
0 IC 58	50.65.0157	1 pce	74LVC157	Quad 2-to1 mux 3.3V	0 R 71	not used	1 pce	150R	MF, 1%, 0204, E24
0 L 1	not used	1 pce	1u0	SMD 10% 1210	0 R 72	57.69.1025	1 pce	10R	CF 5% 0603
0 L 2	not used	1 pce	1u0	SMD 10% 1210	0 R 73	57.60.1121	1 pce	120R	MF, 1%, 0204, E24
0 L 3	not used	1 pce	1u0	SMD 10% 1210	0 R 74	57.60.1561	1 pce	560R	MF, 1%, 0204, E24
0 L 4	not used	1 pce	1u0	SMD 10% 1210	0 R 75	not used	1 pce	100R	MF, 1%, 0204, E24
0 L 5	62.60.0518	1 pce	47uH	SMD 2.5A	0 R 76	57.69.1073	1 pce	1k0	CF 5% 0603
0 L 6	62.60.0101	1 pce	1u0	SMD 10% 1210	0 R 77	57.69.1037	1 pce	33R	CF 5% 0603
0 L 7	62.60.0101	1 pce	1u0	SMD 10% 1210	0 R 78	57.60.1390	1 pce	39R	MF, 1%, 0204, E24
0 MP 1	1.949.414.14	1 pce		MADI HD CARD PCB	0 R 79	57.69.1097	1 pce	10k	CF 5% 0603
0 MP 2	1.949.414.10	1 pce		Nr. ETIKETTE 5x20	0 R 80	57.69.1097	1 pce	10k	CF 5% 0603
0 MP 3	43.01.0108	1 pce	Label	ESE-Warnschild	0 R 81	57.69.1097	1 pce	10k	CF 5% 0603
2 MP 4	43.10.0111	1 pce	B	Revisions-Etikette 5mm h/blau	0 R 82	57.69.1097	1 pce	10k	CF 5% 0603
0 MP 10	1.949.414.01	1 pce		FRONTPLATTE MADI HD TWISTED	0 R 83	57.69.1097	1 pce	10k	CF 5% 0603
0 MP 11	1.940.600.05	1 pce		GRIFFEINLAGE 4TE	0 R 84	57.69.1037	1 pce	33R	CF 5% 0603
0 MP 12	49.02.0514	1 pce	4TE	Frontplatten-Griffsatz	0 R 85	57.69.1037	1 pce	33R	CF 5% 0603
0 MP 13	49.02.0521	1 pce		Metal-Buchse (Rack)	0 R 86	57.60.1390	1 pce	39R	MF, 1%, 0204, E24
0 MP 14	49.02.0524	1 pce	M2.5*12	Schraube spezial	0 R 87	57.60.1121	1 pce	120R	MF, 1%, 0204, E24
0 MP 15	49.02.0522	1 pce		Kartenhalter mit Z-Schr	0 R 88	57.60.1121	1 pce	120R	MF, 1%, 0204, E24
0 MP 16	54.13.0083	1 pce	4.85mm	Bolzen M3*7.9	0 R 89	not used	1 pce	10R	CF 5% 0603
0 MP 17	24.16.2030	1 pce	3.2/6.0	Fächerscheibe Form A	0 R 90	57.60.1121	1 pce	120R	MF, 1%, 0204, E24
0 MP 18	22.01.8030	1 pce	M3	6kt-Mutter 0.5d St Zn bl	0 R 91	not used	1 pce	33R	CF 5% 0603
0 MP 19	1.023.388.31	1 pce		FLACHKABEL 10 POL. 0,05M	0 R 92	57.69.1097	1 pce	10k	CF 5% 0603
0 MP 20	20.24.7355	4 pce		LIN-FORMSCHLZNSW,KS D3 * 8	0 R 93	57.69.1097	1 pce	10k	CF 5% 0603
0 P 1	54.14.2001	1 pce	10p	1/20" Au, gerade, ohne Verrieg	0 R 94	57.69.1037	1 pce	33R	CF 5% 0603
0 P 3	54.14.5510	1 pce	10p	PCB-Buchse gerade	0 R 95	not used	1 pce	150R	MF, 1%, 0204, E24
0 P 4	54.60.0110	1 pce	50p	SMC Stecker winkel	0 R 96	57.69.1097	1 pce	10k	CF 5% 0603
0 P 5	not used	1 pce	10p	1/20" Au, gerade, Actionpin	0 R 97	57.60.1750	1 pce	75R	MF, 1%, 0204, E24
0 P 6	54.20.1007	1 pce	8p	RJ 45 Jack XLR case	0 R 98	57.69.1025	1 pce	10R	CF 5% 0603
0 P 7	54.60.0111	1 pce	80p	SMC Stecker winkel	0 R 99	57.69.1025	1 pce	10R	CF 5% 0603
0 P 8	54.20.1007	1 pce	8p	RJ 45 Jack XLR case	0 R 100	57.69.1025	1 pce	10R	CF 5% 0603
0 Q 1	50.03.1505	1 pce	VN0808L	N-VAMOS-FET 80V, 0.35A	0 R 101	57.69.1097	1 pce	10k	CF 5% 0603
0 Q 2	50.03.1505	1 pce	VN0808L	N-VAMOS-FET 80V, 0.35A	0 R 102	57.69.1097	1 pce	10k	CF 5% 0603
0 Q 3	50.60.2201	1 pce	BSP372	PowerMOS N-Ch 100V, 0.31Ohm	0 R 103	57.69.1097	1 pce	10k	CF 5% 0603
0 R 1	57.69.1097	1 pce	10k	CF 5% 0603	0 R 104	57.69.1097	1 pce	10k	CF 5% 0603
0 R 2	57.69.1097	1 pce	10k	CF 5% 0603	0 R 105	57.69.1097	1 pce	10k	CF 5% 0603
0 R 3	57.69.1073	1 pce	1k0	CF 5% 0603	0 R 106	57.69.1097	1 pce	10k	CF 5% 0603
0 R 4	57.60.1152	1 pce	1k5	MF, 1%, 0204, E24	0 R 107	57.69.1097	1 pce	10k	CF 5% 0603
0 R 5	57.60.1152	1 pce	1k5	MF, 1%, 0204, E24	0 R 108	57.69.1097	1 pce	10k	CF 5% 0603
0 R 6	57.60.1221	1 pce	220R	MF, 1%, 0204, E24	0 R 109	57.69.1097	1 pce	10k	CF 5% 0603
0 R 7	57.69.1097	1 pce	10k	CF 5% 0603	0 R 110	57.69.1097	1 pce	10k	CF 5% 0603
0 R 8	57.69.1025	1 pce	10R	CF 5% 0603	0 R 111	57.69.1097	1 pce	10k	CF 5% 0603
0 R 9	57.69.1073	1 pce	1k0	CF 5% 0603	0 R 112	57.69.1097	1 pce	10k	CF 5% 0603
0 R 10	57.69.1097	1 pce	10k	CF 5% 0603	0 R 113	57.69.1097	1 pce	10k	CF 5% 0603
0 R 11	57.69.1097	1 pce	10k	CF 5% 0603	0 R 114	57.69.1097	1 pce	10k	CF 5% 0603
0 R 12	57.69.1097	1 pce	10k	CF 5% 0603	0 R 115	57.60.1750	1 pce	75R	MF, 1%, 0204, E24
0 R 13	57.60.1152	1 pce	1k5	MF, 1%, 0204, E24	0 R 116	57.69.1037	1 pce	33R	CF 5% 0603
0 R 14	57.69.1073	1 pce	1k0	CF 5% 0603	0 R 117	57.69.1037	1 pce	33R	CF 5% 0603
0 R 15	57.69.1097	1 pce	10k	CF 5% 0603	0 R 118	57.69.1097	1 pce	10k	CF 5% 0603
0 R 16	57.60.1471	1 pce	470R	MF, 1%, 0204, E24	0 R 119	57.69.1097	1 pce	10k	CF 5% 0603

MADI HD Card, twisted-pair version 1.949.414.20 (2)

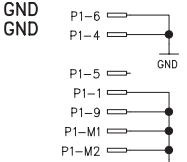
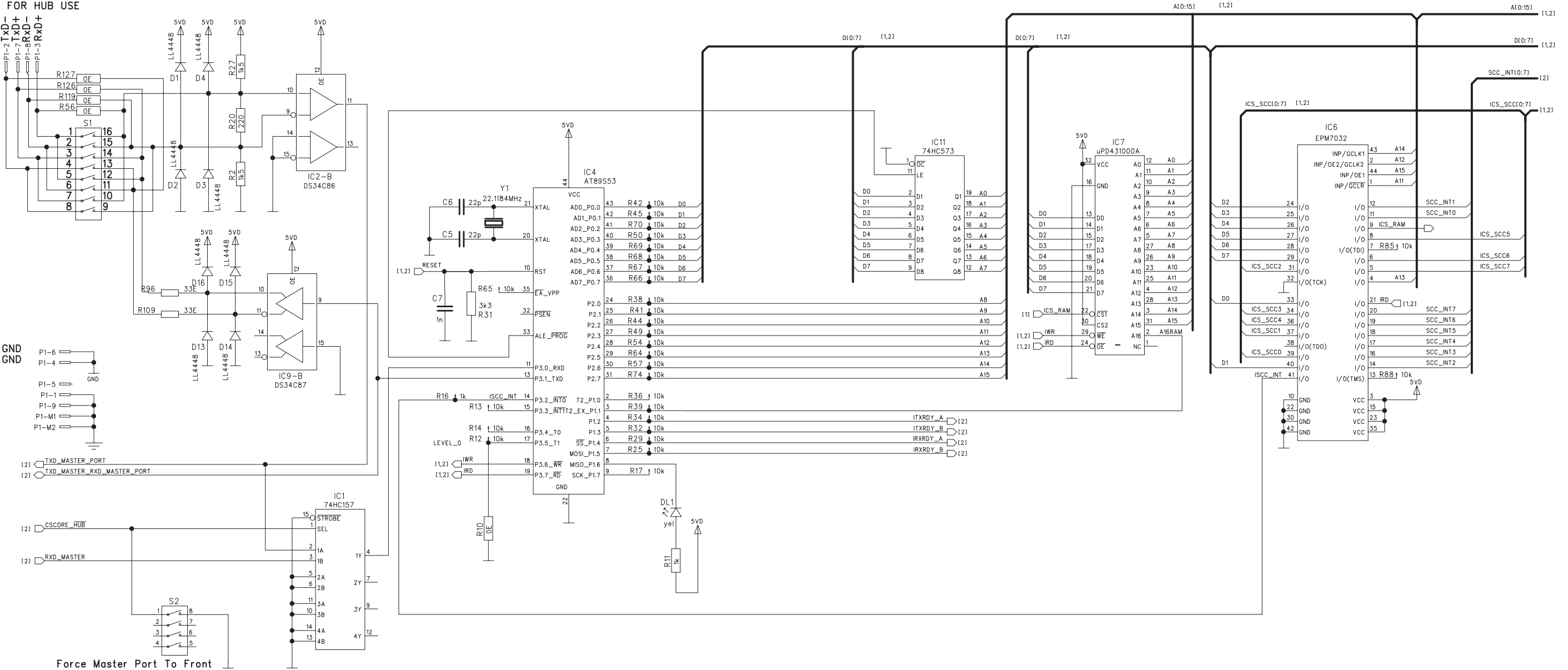
Idx. Pos.	Part No.	Qty.	Type/Val.	Description	Idx. Pos.	Part No.	Qty.	Type/Val.	Description
0 R 120	57.69.1097	1 pce	10k	CF 5% 0603	0 R 229	57.60.1104	1 pce	100k	MF, 1%, 0204, E24
0 R 121	57.69.1097	1 pce	10k	CF 5% 0603	0 R 230	57.69.1097	1 pce	10k	CF 5% 0603
0 R 122	57.69.1097	1 pce	10k	CF 5% 0603	0 R 231	57.60.1102	1 pce	1k0	MF, 1%, 0204, E24
0 R 123	57.69.1047	1 pce	82R	CF 5% 0603	0 R 232	57.69.1499	1 pce	49R9	MG 1% 0402 E96
0 R 124	57.69.1047	1 pce	82R	CF 5% 0603	0 R 233	57.69.1499	1 pce	49R9	MG 1% 0402 E96
0 R 125	not used	1 pce	0R0	CF 5% 0603	0 R 234	57.69.1037	1 pce	33R	CF 5% 0603
0 R 126	not used	1 pce	0R0	CF 5% 0603	0 R 235	57.69.1037	1 pce	33R	CF 5% 0603
0 R 127	57.69.1037	1 pce	33R	CF 5% 0603	0 R 236	57.69.1037	1 pce	33R	CF 5% 0603
0 R 128	57.69.1097	1 pce	10k	CF 5% 0603	0 R 237	57.69.1037	1 pce	33R	CF 5% 0603
0 R 129	57.69.1097	1 pce	10k	CF 5% 0603	0 R 238	57.60.1821	1 pce	820R	MF, 1%, 0204, E24
0 R 130	57.69.1097	1 pce	10k	CF 5% 0603	0 R 239	57.69.1073	1 pce	1k0	CF 5% 0603
0 R 131	57.69.1097	1 pce	10k	CF 5% 0603	0 R 240	57.69.1499	1 pce	49R9	MG 1% 0402 E96
0 R 132	57.69.1097	1 pce	10k	CF 5% 0603	0 R 241	57.69.1073	1 pce	1k0	CF 5% 0603
0 R 133	57.60.1471	1 pce	470R	MF, 1%, 0204, E24	0 R 242	57.69.1097	1 pce	10k	CF 5% 0603
0 R 134	57.69.1097	1 pce	10k	CF 5% 0603	0 R 243	57.69.1097	1 pce	10k	CF 5% 0603
0 R 135	57.69.1037	1 pce	33R	CF 5% 0603	0 R 244	57.69.1097	1 pce	10k	CF 5% 0603
0 R 136	57.69.1037	1 pce	33R	CF 5% 0603	0 R 245	57.69.1097	1 pce	10k	CF 5% 0603
0 R 137	57.69.1097	1 pce	10k	CF 5% 0603	0 R 246	57.69.1097	1 pce	10k	CF 5% 0603
0 R 138	57.69.1097	1 pce	10k	CF 5% 0603	0 R 247	57.69.1097	1 pce	10k	CF 5% 0603
0 R 139	57.69.1097	1 pce	10k	CF 5% 0603	0 R 248	57.69.1097	1 pce	10k	CF 5% 0603
0 R 140	57.60.1000	1 pce	0R0	MF, 0204	0 R 249	57.69.1097	1 pce	10k	CF 5% 0603
0 R 141	57.60.1131	1 pce	130R	MF, 1%, 0204, E24	0 R 250	57.69.1097	1 pce	10k	CF 5% 0603
0 R 142	57.60.1131	1 pce	130R	MF, 1%, 0204, E24	0 R 251	57.69.1097	1 pce	10k	CF 5% 0603
0 R 143	57.60.1820	1 pce	82R	MF, 1%, 0204, E24	0 R 252	57.69.1097	1 pce	10k	CF 5% 0603
0 R 144	57.60.1131	1 pce	130R	MF, 1%, 0204, E24	0 R 253	57.69.1097	1 pce	10k	CF 5% 0603
0 R 145	57.60.1820	1 pce	82R	MF, 1%, 0204, E24	0 R 254	57.69.1097	1 pce	10k	CF 5% 0603
0 R 146	57.60.1131	1 pce	130R	MF, 1%, 0204, E24	0 R 255	57.69.1097	1 pce	10k	CF 5% 0603
0 R 147	57.69.1499	1 pce	49R9	MG 1% 0402 E96	0 R 256	57.60.1101	1 pce	100R	MF, 1%, 0204, E24
0 R 148	57.69.1097	1 pce	10k	CF 5% 0603	0 R 257	57.60.1102	1 pce	1k0	MF, 1%, 0204, E24
0 R 149	57.69.1097	1 pce	10k	CF 5% 0603	0 R 258	57.60.1104	1 pce	100k	MF, 1%, 0204, E24
0 R 150	57.69.1033	1 pce	22R	CF 5% 0603	0 R 259	57.60.1124	1 pce	120k	MF, 1%, 0204, E24
0 R 151	57.69.1033	1 pce	22R	CF 5% 0603	0 R 260	57.60.1102	1 pce	1k0	MF, 1%, 0204, E24
0 R 152	57.60.1000	1 pce	0R0	MF, 0204	0 R 261	57.60.1104	1 pce	100k	MF, 1%, 0204, E24
0 R 153	57.60.1101	1 pce	100R	MF, 1%, 0204, E24	0 R 262	57.60.1102	1 pce	1k0	MF, 1%, 0204, E24
0 R 154	57.69.1097	1 pce	10k	CF 5% 0603	0 R 263	57.60.1124	1 pce	120k	MF, 1%, 0204, E24
0 R 155	57.69.1097	1 pce	10k	CF 5% 0603	0 R 264	57.60.1104	1 pce	100k	MF, 1%, 0204, E24
0 R 156	57.69.1097	1 pce	10k	CF 5% 0603	0 R 265	57.60.1562	1 pce	5k6	MF, 1%, 0204, E24
0 R 157	57.69.1037	1 pce	33R	CF 5% 0603	0 R 266	57.60.1104	1 pce	100k	MF, 1%, 0204, E24
0 R 159	57.69.1499	1 pce	49R9	MG 1% 0402 E96	0 R 267	57.69.1097	1 pce	10k	CF 5% 0603
0 R 160	57.69.1047	1 pce	82R	CF 5% 0603	0 R 268	57.60.1750	1 pce	75R	MF, 1%, 0204, E24
0 R 161	57.69.1047	1 pce	82R	CF 5% 0603	0 R 269	not used	1 pce	130R	MF, 1%, 0204, E24
0 R 162	57.69.1097	1 pce	10k	CF 5% 0603	0 R 270	not used	1 pce	82R	MF, 1%, 0204, E24
0 R 163	57.69.1097	1 pce	10k	CF 5% 0603	0 R 271	57.60.1330	1 pce	33R	MF, 1%, 0204, E24
0 R 165	57.69.1037	1 pce	33R	CF 5% 0603	0 R 272	57.60.1330	1 pce	33R	MF, 1%, 0204, E24
0 R 166	57.60.1131	1 pce	130R	MF, 1%, 0204, E24	0 R 273	57.69.1025	1 pce	10R	CF 5% 0603
0 R 167	57.60.1131	1 pce	130R	MF, 1%, 0204, E24	0 R 274	57.69.1097	1 pce	10k	CF 5% 0603
0 R 168	57.60.1820	1 pce	82R	MF, 1%, 0204, E24	0 R 275	57.60.1750	1 pce	75R	MF, 1%, 0204, E24
0 R 169	57.60.1131	1 pce	130R	MF, 1%, 0204, E24	0 R 276	57.69.1025	1 pce	10R	CF 5% 0603
0 R 170	57.60.1820	1 pce	82R	MF, 1%, 0204, E24	0 R 277	57.60.1000	1 pce	0R0	MF, 0204
0 R 171	57.60.1131	1 pce	130R	MF, 1%, 0204, E24	0 R 278	57.69.1025	1 pce	10R	CF 5% 0603
0 R 172	57.69.1097	1 pce	10k	CF 5% 0603	0 R 279	57.60.1000	1 pce	0R0	MF, 0204
0 R 174	not used	1 pce	3k3	CF 5% 0603	0 R 280	57.69.1073	1 pce	1k0	CF 5% 0603
0 R 175	57.69.1499	1 pce	49R9	MG 1% 0402 E96	0 R 281	57.60.1471	1 pce	470R	MF, 1%, 0204, E24
0 R 176	57.69.1085	1 pce	3k3	CF 5% 0603	0 R 282	57.69.1037	1 pce	33R	CF 5% 0603
0 R 177	57.60.1101	1 pce	100R	MF, 1%, 0204, E24	0 R 283	57.69.1037	1 pce	33R	CF 5% 0603
0 R 178	57.69.1097	1 pce	10k	CF 5% 0603	0 R 284	57.60.1105	1 pce	1M0	MF, 1%, 0204, E24
0 R 179	57.69.1097	1 pce	10k	CF 5% 0603	0 R 285	57.60.1471	1 pce	470R	MF, 1%, 0204, E24
0 R 180	57.60.1121	1 pce	120R	MF, 1%, 0204, E24	0 R 286	57.69.1073	1 pce	1k0	CF 5% 0603
0 R 181	57.69.1047	1 pce	82R	CF 5% 0603	0 R 287	57.69.1037	1 pce	33R	CF 5% 0603
0 R 182	57.69.1047	1 pce	82R	CF 5% 0603	0 R 289	57.69.1025	1 pce	10R	CF 5% 0603
0 R 183	not used	1 pce	0R0	CF 5% 0603	0 R 290	57.69.1033	1 pce	22R	CF 5% 0603
0 R 184	not used	1 pce	0R0	CF 5% 0603	0 R 291	57.69.1033	1 pce	22R	CF 5% 0603
0 R 185	57.60.1103	1 pce	10k	MF, 1%, 0204, E24	0 R 293	57.69.1025	1 pce	10R	CF 5% 0603
0 R 186	57.69.1097	1 pce	10k	CF 5% 0603	0 R 294	57.69.1073	1 pce	1k0	CF 5% 0603
0 R 187	not used	1 pce	3k3	CF 5% 0603	0 R 295	57.69.1025	1 pce	10R	CF 5% 0603
0 R 188	not used	1 pce	150R	MF, 1%, 0204, E24	0 R 296	57.60.1472	1 pce	4k7	MF, 1%, 0204, E24
0 R 189	57.69.1097	1 pce	10k	CF 5% 0603	0 R 297	57.60.1303	1 pce	30k	MF, 1%, 0204, E24
0 R 190	57.69.1097	1 pce	10k	CF 5% 0603	0 R 298	57.60.1272	1 pce	2k7	MF, 1%, 0204, E24
0 R 191	57.69.1499	1 pce	49R9	MG 1% 0402 E96	0 R 299	57.69.1097	1 pce	10k	CF 5% 0603
0 R 192	57.69.1499	1 pce	49R9	MG 1% 0402 E96	0 R 300	57.60.1471	1 pce	470R	MF, 1%, 0204, E24
0 R 193	57.69.1097	1 pce	10k	CF 5% 0603	0 R 303	57.69.1047	1 pce	82R	CF 5% 0603
0 R 194	57.60.1390	1 pce	39R	MF, 1%, 0204, E24	0 R 304	57.69.1047	1 pce	82R	CF 5% 0603
0 R 195	57.69.1073	1 pce	1k0	CF 5% 0603	0 S 1	55.60.0108	1 pce	8p	SMD DIL-Switch
0 R 196	57.69.1073	1 pce	1k0	CF 5% 0603	0 S 2	55.60.0108	1 pce	8p	SMD DIL-Switch
0 R 197	57.60.1104	1 pce	100k	MF, 1%, 0204, E24	0 S 3	55.11.0007	1 pce	SPDT	Toggle 1 * on-off-on Ag
0 R 198	57.60.1561	1 pce	560R	MF, 1%, 0204, E24	0 S 4	55.12.1141	1 pce	N=10	Rotary Switch, right angle
0 R 199	57.60.1561	1 pce	560R	MF, 1%, 0204, E24	0 S 5	55.60.0108	1 pce	8p	SMD DIL-Switch
0 R 200	57.60.1123	1 pce	12k	MF, 1%, 0204, E24	0 T 1	63.60.0021	1 pce	1:1	Ethernet Transformer 10/100
0 R 201	57.60.1123	1 pce	12k	MF, 1%, 0204, E24	0 T 2	63.60.0021	1 pce	1:1	Ethernet Transformer 10/100
0 R 202	57.60.1561	1 pce	560R	MF, 1%, 0204, E24	0 T 3	63.60.0021	1 pce	1:1	Ethernet Transformer 10/100
0 R 203	57.60.1561	1 pce	560R	MF, 1%, 0204, E24	0 T 4	63.60.0021	1 pce	1:1	Ethernet Transformer 10/100
0 R 204	57.60.1104	1 pce	100k	MF, 1%, 0204, E24	0 TP 8	not used	1 pce	2.8*0.8	PCB-Flachstecker, gerade
0 R 205	57.69.1097	1 pce	10k	CF 5% 0603	0 XIC 1	53.03.0166	1 pce	8p	DIL-socket 0.3"
0 R 207	57.60.1390	1 pce	39R	MF, 1%, 0204, E24	0 XIC 14	53.60.0232	1 pce	32p	PLCC, SMD
0 R 208	57.60.1681	1 pce	680R	MF, 1%, 0204, E24	0 XIC 44	53.03.0166	1 pce	8p	DIL-socket 0.3"
0 R 209	57.60.1681	1 pce	680R	MF, 1%, 0204, E24	0 Y 1	89.60.1004	1 pce	22.1184MHz	SMD Quartz
0 R 210	57.69.1097	1 pce	10k	CF 5% 0603	0 Y 2	89.60.1006	1 pce	24.576MHz	SMD Quartz
0 R 211	57.69.1097	1 pce	10k	CF 5% 0603					
0 R 212	not used	1 pce	150R	MF, 1%, 0204, E24					
0 R 213	57.69.1085	1 pce	3k3	CF 5% 0603					
0 R 214	57.69.1097	1 pce	10k	CF 5% 0603					
0 R 217	not used	1 pce	130R	MF, 1%, 0204, E24					
0 R 218	not used	1 pce	82R	MF, 1%, 0204, E24					
0 R 219	57.60.1221	1 pce	220R	MF, 1%, 0204, E24					
0 R 220	57.60.1104	1 pce	100k	MF, 1%, 0204, E24					
0 R 221	57.60.1221	1 pce	220R	MF, 1%, 0204, E24					
0 R 222	57.69.1499	1 pce	49R9	MG 1% 0402 E96					
0 R 223	57.69.1097	1 pce	10k	CF 5% 0603					
0 R 224	57.69.1097	1 pce	10k	CF 5% 0603					
0 R 225	57.69.1025	1 pce	10R	CF 5% 0603					
0 R 226	57.69.1499	1 pce	49R9	MG 1% 0402 E96					
0 R 227	57.60.1103	1 pce	10k	MF, 1%, 0204, E24					
0 R 228	57.69.1097	1 pce	10k	CF 5% 0603					

End of List

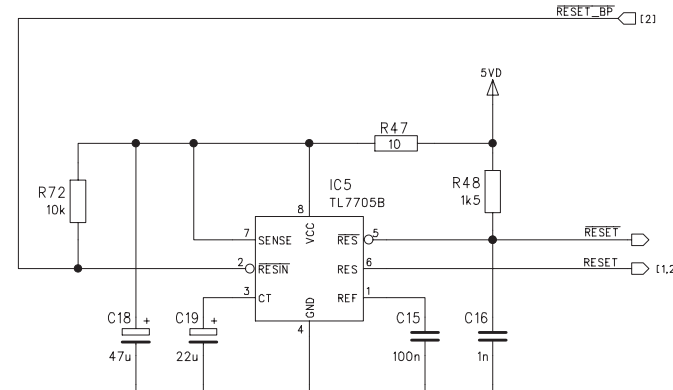
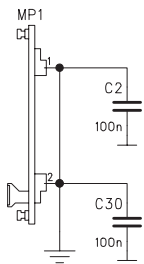
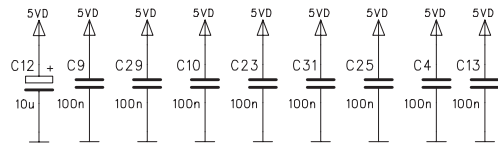
Comments:

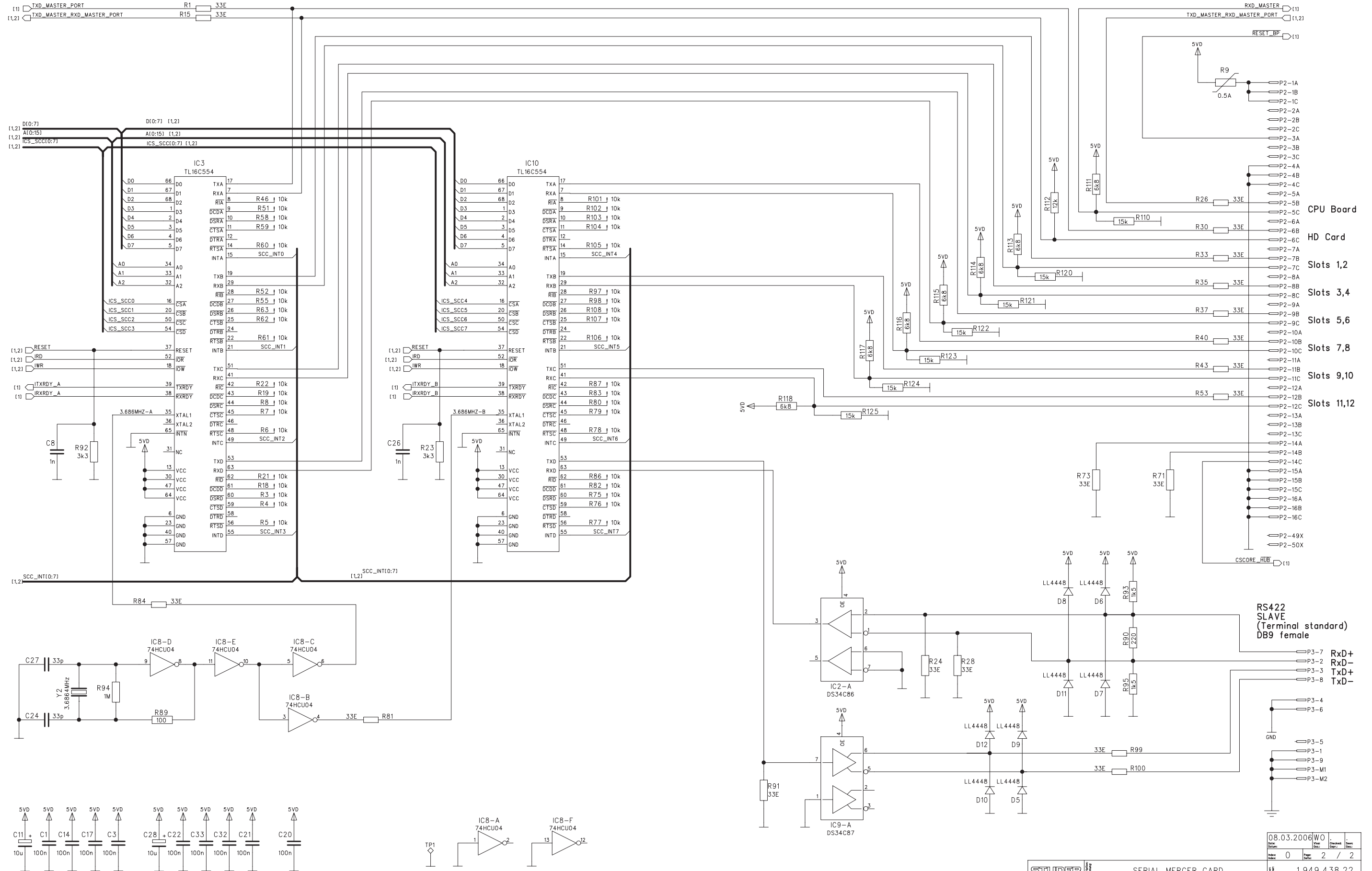
- (01) 05.09.06 C15, 16 not used
- (02) 08.11.06 C15, C16 used; label B

RS422 MASTER (Modem standard) DB9 female FOR HUB USE



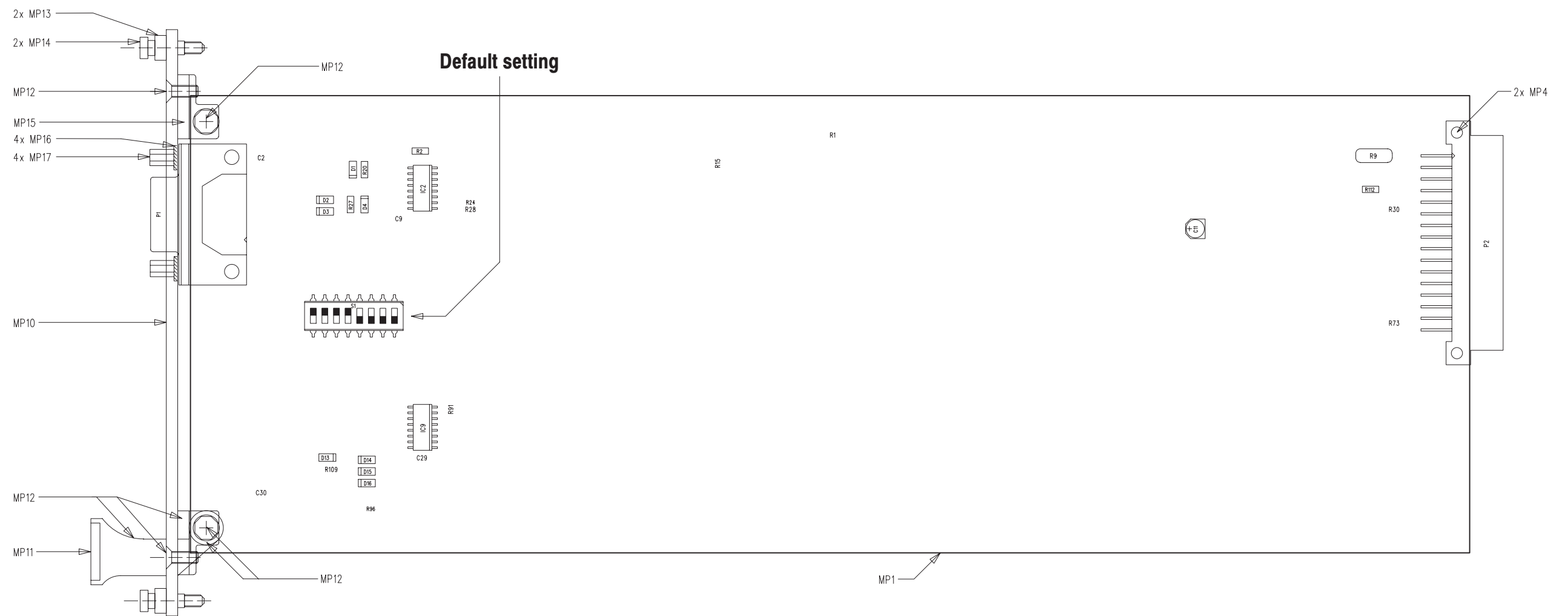
Force Master Port To Front



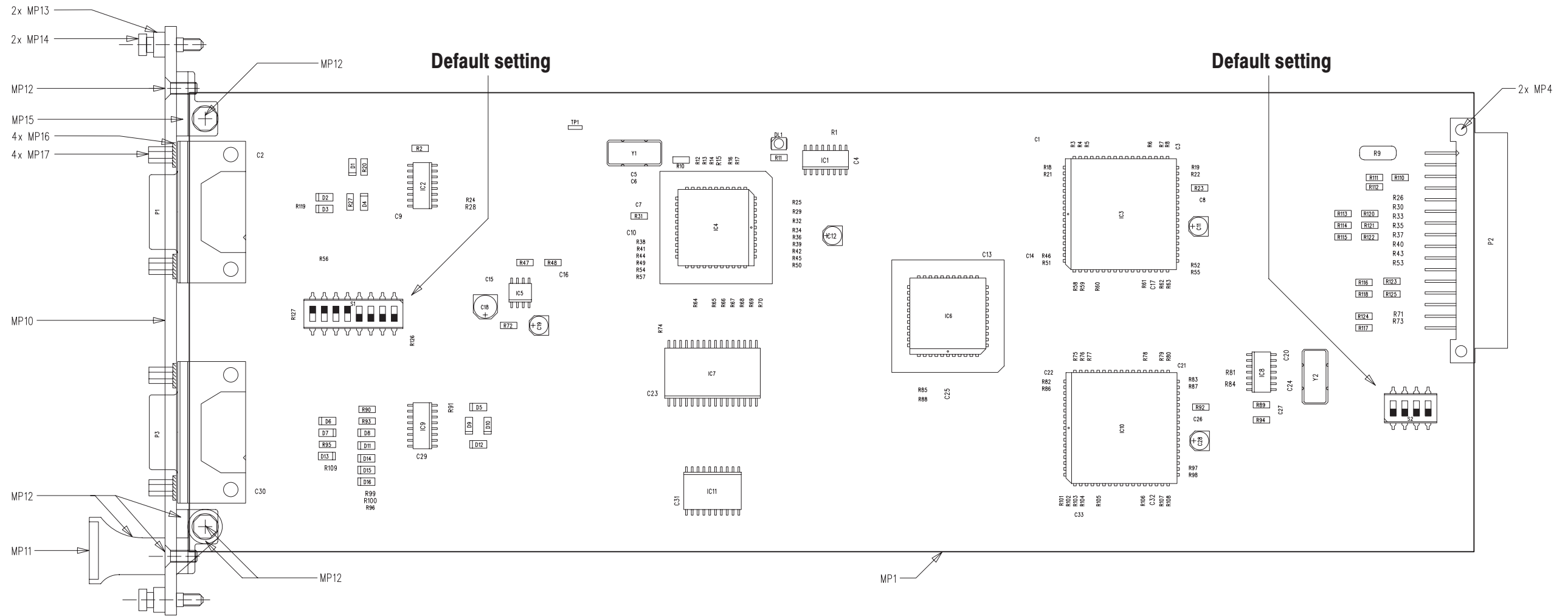


08.03.2006	WO		
Issue:	0	Page:	2 / 2
Rev:		Order:	
Drawn:		Checked:	

Serial Card 1.949.437.81 (0)



Serial Merger Card 1.949.438.22 (2)



Serial Card 1.949.437.81 (0)

Idx. Pos.	Part No.	Qty.	Type/Val.	Description
0	C 2	59.60.3337	1 pce	100n CER 50V, 10%, X7R, 0805
0	C 9	59.60.3337	1 pce	100n CER 50V, 10%, X7R, 0805
0	C 11	59.68.0065	1 pce	10u EL 16V, 4.0*5.7
0	C 29	59.60.3337	1 pce	100n CER 50V, 10%, X7R, 0805
0	C 30	59.60.3337	1 pce	100n CER 50V, 10%, X7R, 0805
0	D 1	50.60.8001	1 pce	4448 200mA 75V 4ns SOD 80
0	D 2	50.60.8001	1 pce	4448 200mA 75V 4ns SOD 80
0	D 3	50.60.8001	1 pce	4448 200mA 75V 4ns SOD 80
0	D 4	50.60.8001	1 pce	4448 200mA 75V 4ns SOD 80
0	D 13	50.60.8001	1 pce	4448 200mA 75V 4ns SOD 80
0	D 14	50.60.8001	1 pce	4448 200mA 75V 4ns SOD 80
0	D 15	50.60.8001	1 pce	4448 200mA 75V 4ns SOD 80
0	D 16	50.60.8001	1 pce	4448 200mA 75V 4ns SOD 80
0	IC 2	50.62.0463	1 pce	DS34C86 4*RS 422 Line Receiver
0	IC 9	50.62.0464	1 pce	DS34C87 4*RS 422 Line Driver
0	MP 1	1.949.438.13	1 pce	SERIAL MERGER CARD PCB
0	MP 2	1.949.438.10	1 pce	Nr. ETIKETTE 5x20
0	MP 3	43.01.0108	1 pce	Label ESE-Warnschild
0	MP 4	28.99.0119	2 pcs	ROHRNIETE D 2.5*0.15* 9
0	MP 10	1.949.437.01	1 pce	FRONTPLATTE SERIAL CARD
0	MP 11	1.940.600.04	1 pce	GRIFFEINLAGE 4TE
0	MP 12	49.02.0514	1 pce	4TE Frontplatten-Griffsatz
0	MP 13	49.02.0521	2 pcs	Metall-Buchse (Rack)
0	MP 14	49.02.0524	2 pcs	M2.5*12 Schraube spezial
0	MP 15	49.02.0522	1 pce	Kartenhalter mit Z-Schr
0	MP 16	24.16.2030	4 pcs	3.2/6.0 Fächerscheibe Form A
0	MP 17	54.13.0081	4 pcs	4.85mm Bolzen UNC 4-40
0	P 1	54.13.0071	1 pce	9p D-Sub, PCB, Winkel
0	P 2	54.11.2261	1 pce	48p EU-CK 3*16, lötl
0	R 1	57.69.1037	1 pce	33R CF 5% 0603
0	R 2	57.60.1152	1 pce	1k5 MF, 1%, 0204, E24
0	R 9	57.92.7013	1 pce	0.5A PTC 60V
0	R 15	57.69.1037	1 pce	33R CF 5% 0603
0	R 20	57.60.1221	1 pce	220R MF, 1%, 0204, E24
0	R 24	57.69.1037	1 pce	33R CF 5% 0603
0	R 27	57.60.1152	1 pce	1k5 MF, 1%, 0204, E24
0	R 28	57.69.1037	1 pce	33R CF 5% 0603
0	R 30	57.69.1037	1 pce	33R CF 5% 0603
0	R 73	57.69.1037	1 pce	33R CF 5% 0603
0	R 91	57.69.1037	1 pce	33R CF 5% 0603
0	R 96	57.69.1037	1 pce	33R CF 5% 0603
0	R 109	57.69.1037	1 pce	33R CF 5% 0603
0	R 112	57.60.1123	1 pce	12k MF, 1%, 0204, E24
0	S 1	55.60.0108	1 pce	8p SMD DIL-Switch

Idx. Pos.	Part No.	Qty.	Type/Val.	Description
-----------	----------	------	-----------	-------------

End of List

Comments:

Serial Merger Card 1.949.438.22 (2)

Idx. Pos.	Part No.	Qty.	Type/Val.	Description	Idx. Pos.	Part No.	Qty.	Type/Val.	Description	
0	C 1	59.60.3337	1 pce	100n	CER 50V, 10%, X7R, 0805	0	R 26	57.69.1037	1 pce 33R	CF 5% 0603
0	C 2	59.60.3337	1 pce	100n	CER 50V, 10%, X7R, 0805	0	R 27	57.60.1152	1 pce 1k5	MF, 1%, 0204, E24
0	C 3	59.60.3337	1 pce	100n	CER 50V, 10%, X7R, 0805	0	R 28		not used 1 pce 33R	CF 5% 0603
0	C 4	59.60.3337	1 pce	100n	CER 50V, 10%, X7R, 0805	0	R 29	57.69.1097	1 pce 10k	CF 5% 0603
2	C 5	59.60.2233	1 pce	22p	CER 50V, 5%, COG, 0603	0	R 30	57.69.1037	1 pce 33R	CF 5% 0603
2	C 6	59.60.2233	1 pce	22p	CER 50V, 5%, COG, 0603	0	R 31	57.60.1332	1 pce 3k3	MF, 1%, 0204, E24
0	C 7	59.60.2373	1 pce	1n0	CER 50V, 5%, COG, 0805	0	R 32	57.69.1097	1 pce 10k	CF 5% 0603
0	C 8	59.60.2373	1 pce	1n0	CER 50V, 5%, COG, 0805	0	R 33	57.69.1037	1 pce 33R	CF 5% 0603
0	C 9	59.60.3337	1 pce	100n	CER 50V, 10%, X7R, 0805	0	R 34	57.69.1097	1 pce 10k	CF 5% 0603
0	C 10	59.60.3337	1 pce	100n	CER 50V, 10%, X7R, 0805	0	R 35	57.69.1037	1 pce 33R	CF 5% 0603
0	C 11	59.68.0065	1 pce	10u	EL 16V, 4.0*5.7	0	R 36	57.69.1097	1 pce 10k	CF 5% 0603
0	C 12	59.68.0065	1 pce	10u	EL 16V, 4.0*5.7	0	R 37	57.69.1037	1 pce 33R	CF 5% 0603
0	C 13	59.60.3337	1 pce	100n	CER 50V, 10%, X7R, 0805	0	R 38	57.69.1097	1 pce 10k	CF 5% 0603
0	C 14	59.60.3337	1 pce	100n	CER 50V, 10%, X7R, 0805	0	R 39	57.69.1097	1 pce 10k	CF 5% 0603
0	C 15	59.60.3337	1 pce	100n	CER 50V, 10%, X7R, 0805	0	R 40	57.69.1037	1 pce 33R	CF 5% 0603
0	C 16	59.60.2373	1 pce	1n0	CER 50V, 5%, COG, 0805	0	R 41	57.69.1097	1 pce 10k	CF 5% 0603
0	C 17	59.60.3337	1 pce	100n	CER 50V, 10%, X7R, 0805	0	R 42	57.69.1097	1 pce 10k	CF 5% 0603
0	C 18	59.68.0027	1 pce	47u	EL 6V, 5.0*5.7	0	R 43	57.69.1037	1 pce 33R	CF 5% 0603
0	C 19	59.68.0025	1 pce	22u	EL 6V, 4.0*5.7	0	R 44	57.69.1097	1 pce 10k	CF 5% 0603
0	C 20	59.60.3337	1 pce	100n	CER 50V, 10%, X7R, 0805	0	R 45	57.69.1097	1 pce 10k	CF 5% 0603
0	C 21	59.60.3337	1 pce	100n	CER 50V, 10%, X7R, 0805	0	R 46	57.69.1097	1 pce 10k	CF 5% 0603
0	C 22	59.60.3337	1 pce	100n	CER 50V, 10%, X7R, 0805	0	R 47	57.60.1100	1 pce 10R	MF, 1%, 0204, E24
0	C 23	59.60.3337	1 pce	100n	CER 50V, 10%, X7R, 0805	0	R 48	57.60.1152	1 pce 1k5	MF, 1%, 0204, E24
0	C 24	59.60.2237	1 pce	33p	CER 50V, 5%, COG, 0603	0	R 49	57.69.1097	1 pce 10k	CF 5% 0603
0	C 25	59.60.3337	1 pce	100n	CER 50V, 10%, X7R, 0805	0	R 50	57.69.1097	1 pce 10k	CF 5% 0603
0	C 26	59.60.2373	1 pce	1n0	CER 50V, 5%, COG, 0805	0	R 51	57.69.1097	1 pce 10k	CF 5% 0603
0	C 27	59.60.2237	1 pce	33p	CER 50V, 5%, COG, 0603	0	R 52	57.69.1097	1 pce 10k	CF 5% 0603
0	C 28	59.68.0065	1 pce	10u	EL 16V, 4.0*5.7	0	R 53	57.69.1037	1 pce 33R	CF 5% 0603
0	C 29	59.60.3337	1 pce	100n	CER 50V, 10%, X7R, 0805	0	R 54	57.69.1097	1 pce 10k	CF 5% 0603
0	C 30	59.60.3337	1 pce	100n	CER 50V, 10%, X7R, 0805	0	R 55	57.69.1097	1 pce 10k	CF 5% 0603
0	C 31	59.60.3337	1 pce	100n	CER 50V, 10%, X7R, 0805	0	R 56	57.69.1000	1 pce 0R0	CF 5% 0603
0	C 32	59.60.3337	1 pce	100n	CER 50V, 10%, X7R, 0805	0	R 57	57.69.1097	1 pce 10k	CF 5% 0603
0	C 33	59.60.3337	1 pce	100n	CER 50V, 10%, X7R, 0805	0	R 58	57.69.1097	1 pce 10k	CF 5% 0603
0	D 1	50.60.8001	1 pce	4448	200mA 75V 4ns SOD 80	0	R 59	57.69.1097	1 pce 10k	CF 5% 0603
0	D 2	50.60.8001	1 pce	4448	200mA 75V 4ns SOD 80	0	R 60	57.69.1097	1 pce 10k	CF 5% 0603
0	D 3	50.60.8001	1 pce	4448	200mA 75V 4ns SOD 80	0	R 61	57.69.1097	1 pce 10k	CF 5% 0603
0	D 4	50.60.8001	1 pce	4448	200mA 75V 4ns SOD 80	0	R 62	57.69.1097	1 pce 10k	CF 5% 0603
0	D 5	50.60.8001	1 pce	4448	200mA 75V 4ns SOD 80	0	R 63	57.69.1097	1 pce 10k	CF 5% 0603
0	D 6	50.60.8001	1 pce	4448	200mA 75V 4ns SOD 80	0	R 64	57.69.1097	1 pce 10k	CF 5% 0603
0	D 7	50.60.8001	1 pce	4448	200mA 75V 4ns SOD 80	0	R 65	57.69.1097	1 pce 10k	CF 5% 0603
0	D 8	50.60.8001	1 pce	4448	200mA 75V 4ns SOD 80	0	R 66	57.69.1097	1 pce 10k	CF 5% 0603
0	D 9	50.60.8001	1 pce	4448	200mA 75V 4ns SOD 80	0	R 67	57.69.1097	1 pce 10k	CF 5% 0603
0	D 10	50.60.8001	1 pce	4448	200mA 75V 4ns SOD 80	0	R 68	57.69.1097	1 pce 10k	CF 5% 0603
0	D 11	50.60.8001	1 pce	4448	200mA 75V 4ns SOD 80	0	R 69	57.69.1097	1 pce 10k	CF 5% 0603
0	D 12	50.60.8001	1 pce	4448	200mA 75V 4ns SOD 80	0	R 70	57.69.1097	1 pce 10k	CF 5% 0603
0	D 13	50.60.8001	1 pce	4448	200mA 75V 4ns SOD 80	0	R 71	57.69.1037	1 pce 33R	CF 5% 0603
0	D 14	50.60.8001	1 pce	4448	200mA 75V 4ns SOD 80	0	R 72	57.60.1103	1 pce 10k	MF, 1%, 0204, E24
0	D 15	50.60.8001	1 pce	4448	200mA 75V 4ns SOD 80	0	R 73		not used 1 pce 33R	CF 5% 0603
0	D 16	50.60.8001	1 pce	4448	200mA 75V 4ns SOD 80	0	R 74	57.69.1097	1 pce 10k	CF 5% 0603
0	DL 1		not used 1 pce	yel	SMD LED 2.7*3.5	0	R 75	57.69.1097	1 pce 10k	CF 5% 0603
0	IC 1	50.62.1157	1 pce		74HC157	0	R 76	57.69.1097	1 pce 10k	CF 5% 0603
0	IC 2	50.62.0463	1 pce		4*RS 422 Line Receiver	0	R 77	57.69.1097	1 pce 10k	CF 5% 0603
0	IC 3	50.63.0209	1 pce		TL16C554	0	R 78	57.69.1097	1 pce 10k	CF 5% 0603
0	IC 4	1.943.919.20	1 pce		89S53	0	R 79	57.69.1097	1 pce 10k	CF 5% 0603
0	IC 5	50.63.2001	1 pce		7705B	0	R 80	57.69.1097	1 pce 10k	CF 5% 0603
0	IC 6	1.943.920.20	1 pce		EPLD 7032 SLC	0	R 81	57.69.1037	1 pce 33R	CF 5% 0603
0	IC 7	50.63.1504	1 pce		551001	0	R 82	57.69.1097	1 pce 10k	CF 5% 0603
0	IC 8	50.62.1904	1 pce		74HCU04	0	R 83	57.69.1097	1 pce 10k	CF 5% 0603
0	IC 9	50.62.0464	1 pce		DS34C87	0	R 84	57.69.1037	1 pce 33R	CF 5% 0603
0	IC 10	50.63.0209	1 pce		TL16C554	0	R 85	57.69.1097	1 pce 10k	CF 5% 0603
0	IC 11	50.62.1573	1 pce		74HC573	0	R 86	57.69.1097	1 pce 10k	CF 5% 0603
0	MP 1	1.949.438.13	1 pce		SERIAL MERGER CARD PCB	0	R 87	57.69.1097	1 pce 10k	CF 5% 0603
0	MP 2	1.949.438.10	1 pce		Nr. ETIKETTE 5x20	0	R 88	57.69.1097	1 pce 10k	CF 5% 0603
0	MP 3	43.01.0108	1 pce	Label	ESE-Warnschild	0	R 89	57.60.1101	1 pce 100R	MF, 1%, 0204, E24
0	MP 4	28.99.0119	2 pcs		ROHRNIETE D 2.5*0.15* 9	0	R 90	57.60.1221	1 pce 220R	MF, 1%, 0204, E24
2	MP 5	43.10.0111	1 pce	B	Revisions-Etikette 5mm h/blau	0	R 91		not used 1 pce 33R	CF 5% 0603
0	MP 10	1.949.438.01	1 pce		FRONTPLATTE MERGER CARD	0	R 92	57.60.1332	1 pce 3k3	MF, 1%, 0204, E24
0	MP 11	1.940.600.05	1 pce		GRIFFEINLAGE 4TE	0	R 93	57.60.1152	1 pce 1k5	MF, 1%, 0204, E24
0	MP 12	49.02.0514	1 pce	4TE	Frontplatten-Griffsatz	0	R 94	57.60.1105	1 pce 1M0	MF, 1%, 0204, E24
0	MP 13	49.02.0521	2 pcs		Metall-Buchse (Rack)	0	R 95	57.60.1152	1 pce 1k5	MF, 1%, 0204, E24
0	MP 14	49.02.0524	2 pcs	M2.5*12	Schraube spezial	0	R 96	57.69.1037	1 pce 33R	CF 5% 0603
0	MP 15	49.02.0522	1 pce		Kartenhalter mit Z-Schr	0	R 97	57.69.1097	1 pce 10k	CF 5% 0603
0	MP 16	24.16.2030	4 pcs	3.2/6.0	Fächerscheibe Form A	0	R 98	57.69.1097	1 pce 10k	CF 5% 0603
0	MP 17	54.13.0081	4 pcs	4.85mm	Bolzen UNC 4-40	0	R 99	57.69.1037	1 pce 33R	CF 5% 0603
0	P 1	54.13.0071	1 pce	9p	D-Sub, PCB, Winkel	0	R 100	57.69.1037	1 pce 33R	CF 5% 0603
0	P 2	54.11.2261	1 pce	48p	EU-CK 3*16, lötl	0	R 101	57.69.1097	1 pce 10k	CF 5% 0603
0	P 3	54.13.0071	1 pce	9p	D-Sub, PCB, Winkel	0	R 102	57.69.1097	1 pce 10k	CF 5% 0603
0	R 1		not used 1 pce		CF 5% 0603	0	R 103	57.69.1097	1 pce 10k	CF 5% 0603
0	R 2	57.60.1152	1 pce	1k5	MF, 1%, 0204, E24	0	R 104	57.69.1097	1 pce 10k	CF 5% 0603
0	R 3	57.69.1097	1 pce	10k	CF 5% 0603	0	R 105	57.69.1097	1 pce 10k	CF 5% 0603
0	R 4	57.69.1097	1 pce	10k	CF 5% 0603	0	R 106	57.69.1097	1 pce 10k	CF 5% 0603
0	R 5	57.69.1097	1 pce	10k	CF 5% 0603	0	R 107	57.69.1097	1 pce 10k	CF 5% 0603
0	R 6	57.69.1097	1 pce	10k	CF 5% 0603	0	R 108	57.69.1097	1 pce 10k	CF 5% 0603
0	R 7	57.69.1097	1 pce	10k	CF 5% 0603	0	R 109	57.69.1037	1 pce 33R	CF 5% 0603
0	R 8	57.69.1097	1 pce	10k	CF 5% 0603	0	R 110	57.60.1153	1 pce 15k	MF, 1%, 0204, E24
0	R 9	57.92.7013	1 pce	0.5A	PTC 60V	0	R 111	57.60.1682	1 pce 6k8	MF, 1%, 0204, E24
0	R 10		not used 1 pce		OR0	0	R 112	57.60.1123	1 pce 12k	MF, 1%, 0204, E24
0	R 11		not used 1 pce		1k0	0	R 113	57.60.1682	1 pce 6k8	MF, 1%, 0204, E24
0	R 12	57.69.1097	1 pce	10k	CF 5% 0603	0	R 114	57.60.1682	1 pce 6k8	MF, 1%, 0204, E24
0	R 13	57.69.1097	1 pce	10k	CF 5% 0603	0	R 115	57.60.1682	1 pce 6k8	MF, 1%, 0204, E24
0	R 14	57.69.1097	1 pce	10k	CF 5% 0603	0	R 116	57.60.1682	1 pce 6k8	MF, 1%, 0204, E24
0	R 15		not used 1 pce		33R	0	R 117	57.60.1682	1 pce 6k8	MF, 1%, 0204, E24
0	R 16	57.69.1073	1 pce	1k0	CF 5% 0603	0	R 118	57.60.1682	1 pce 6k8	MF, 1%, 0204, E24
0	R 17	57.69.1097	1 pce	10k	CF 5% 0603	0	R 119	57.69.1000	1 pce 0R0	CF 5% 0603
0	R 18	57.69.1097	1 pce	10k	CF 5% 0603	0	R 120	57.60.1153	1 pce 15k	MF, 1%, 0204, E24
0	R 19	57.69.1097	1 pce	10k	CF 5% 0603	0	R 121	57.60.1153	1 pce 15k	MF, 1%, 0204, E24
0	R 20	57.60.1221	1 pce	220R	MF, 1%, 0204, E24	0	R 122	57.60.1153	1 pce 15k	MF, 1%, 0204, E24
0	R 21	57.69.1097	1 pce	10k	CF 5% 0603	0	R 123	57.60.1153	1 pce 15k	MF, 1%, 0204, E24
0	R 22	57.69.1097	1 pce							

Serial Merger Card 1.949.438.22 (2)

Page: 2 of 2

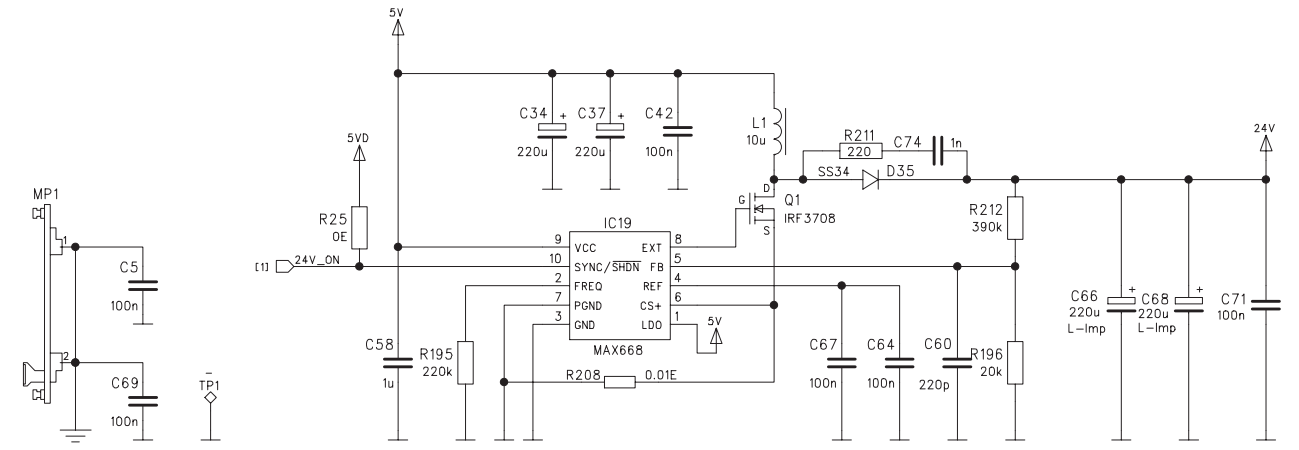
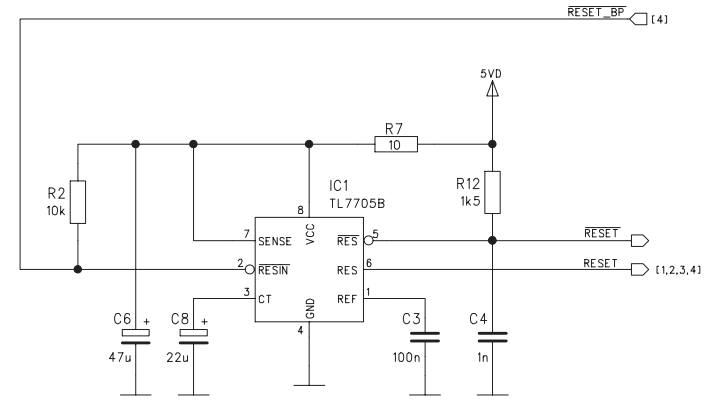
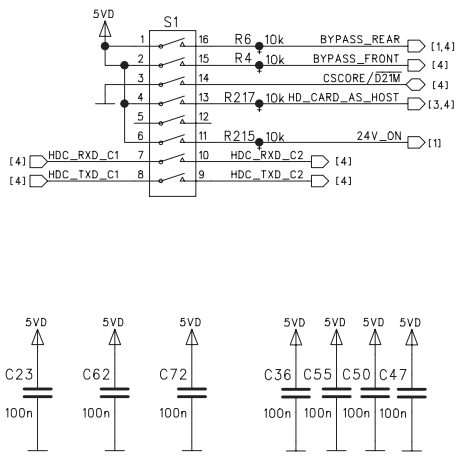
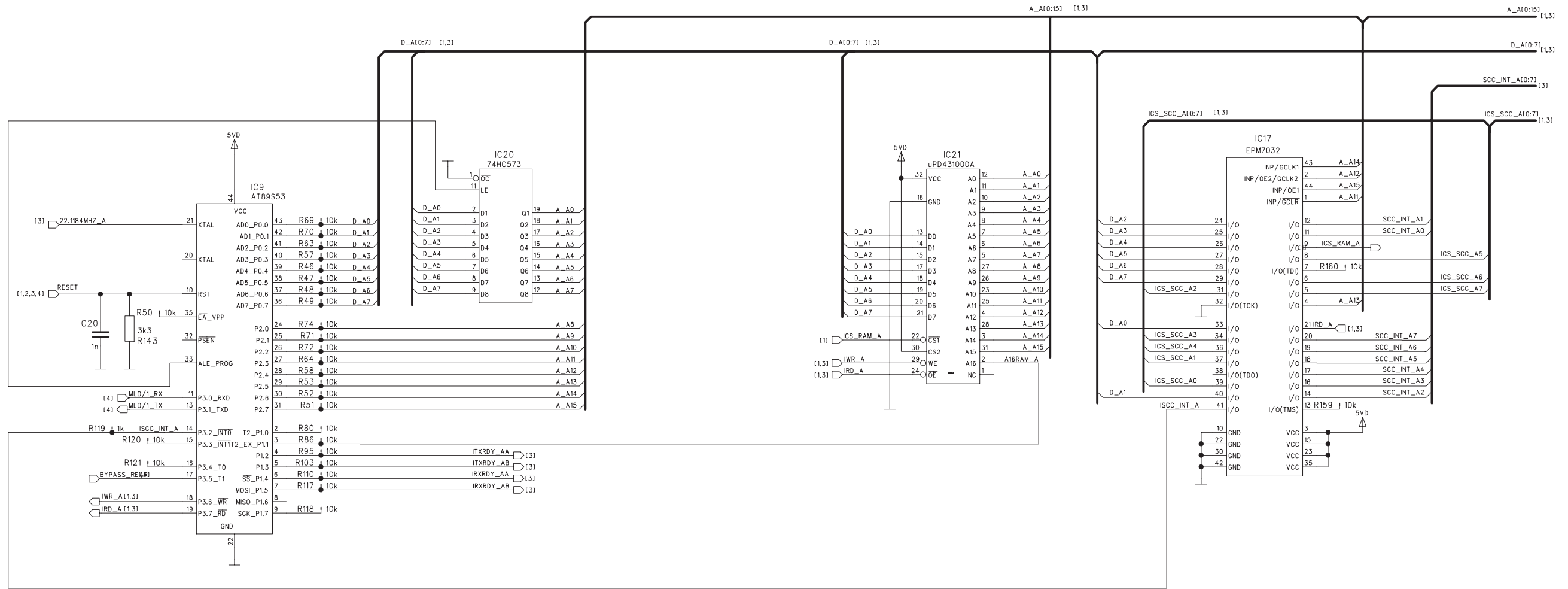
Idx. Pos.	Part No.	Qty.	Type/Val.	Description
0 S 2	55.60.0104	1 pce	4p	SMD DIL-Switch
0 TP 1	not used	1 pce	2.8*0.8	PCB-Flachstecker, gerade
0 XIC 4	53.03.2244	1 pce	44p	PLCC-Socket
0 XIC 6	53.03.2244	1 pce	44p	PLCC-Socket
0 Y 1	89.60.1004	1 pce	22.1184MHz	SMD Quartz
0 Y 2	89.60.1008	1 pce	3.6864MHz	SMD Quartz 3.6864 MHz

Idx. Pos.	Part No.	Qty.	Type/Val.	Description
-----------	----------	------	-----------	-------------

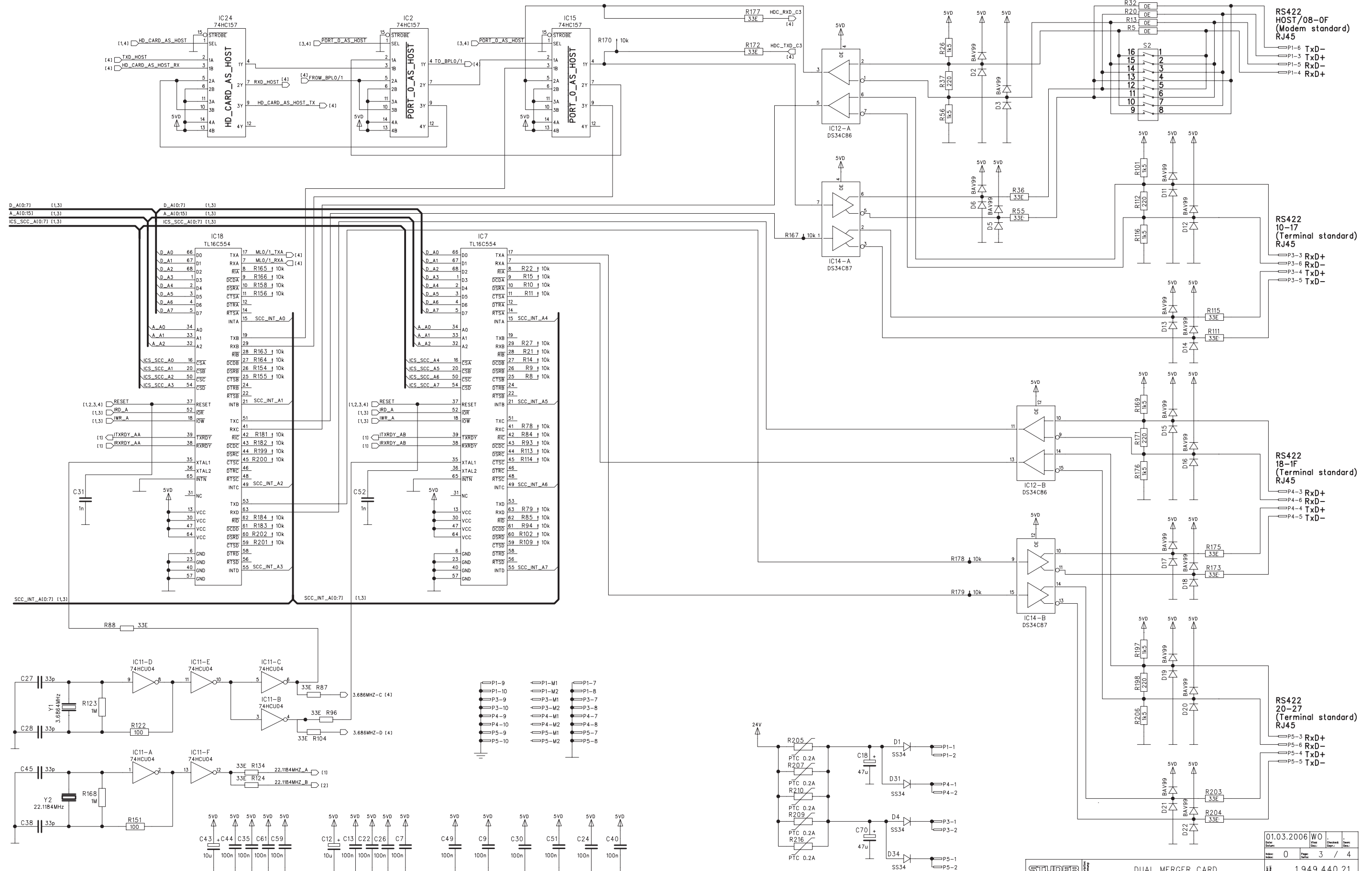
End of List

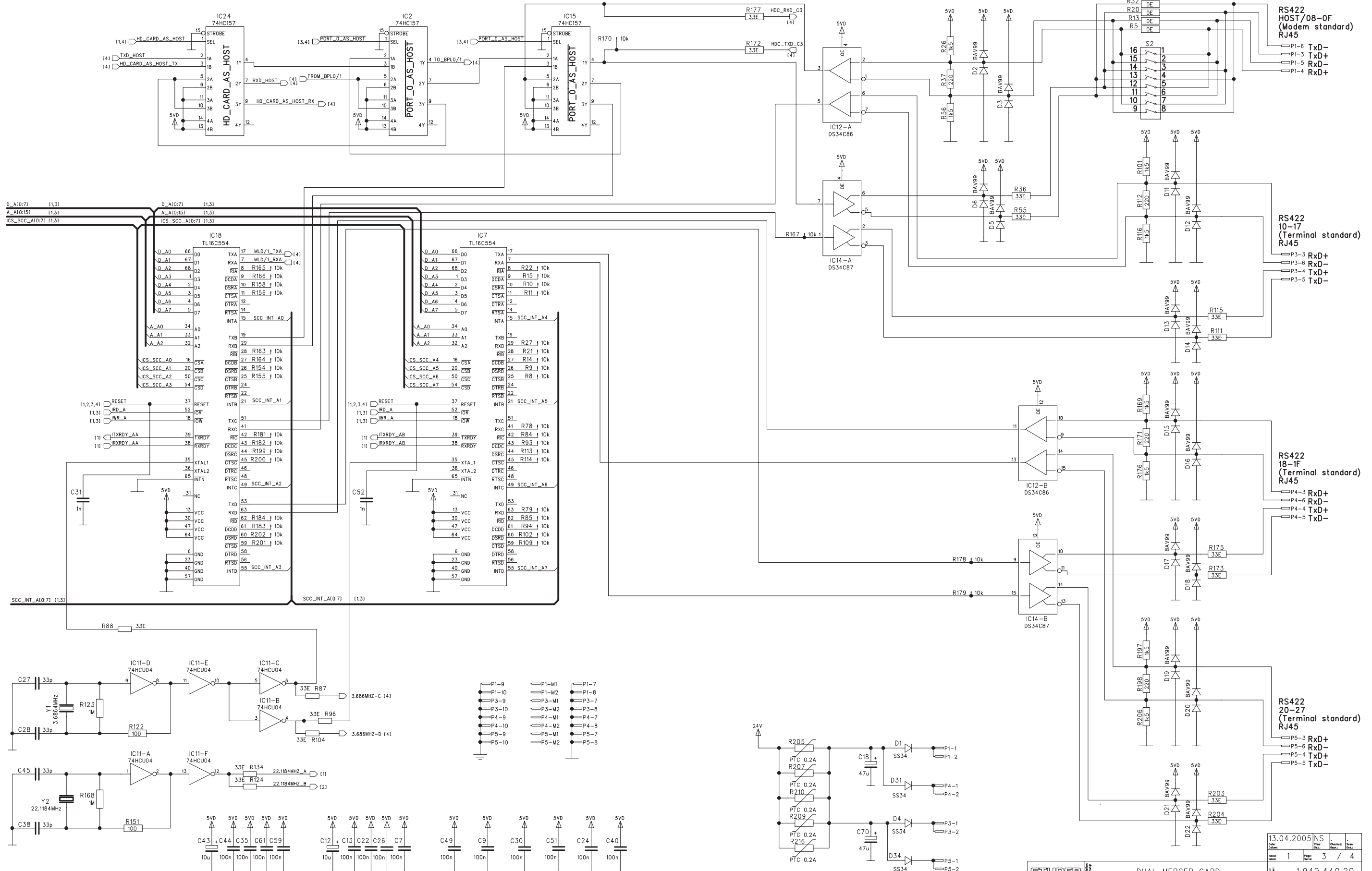
Comments:

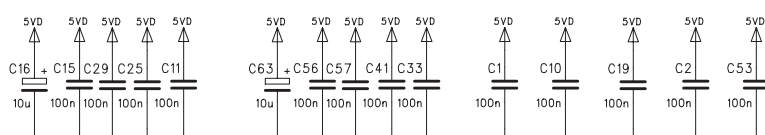
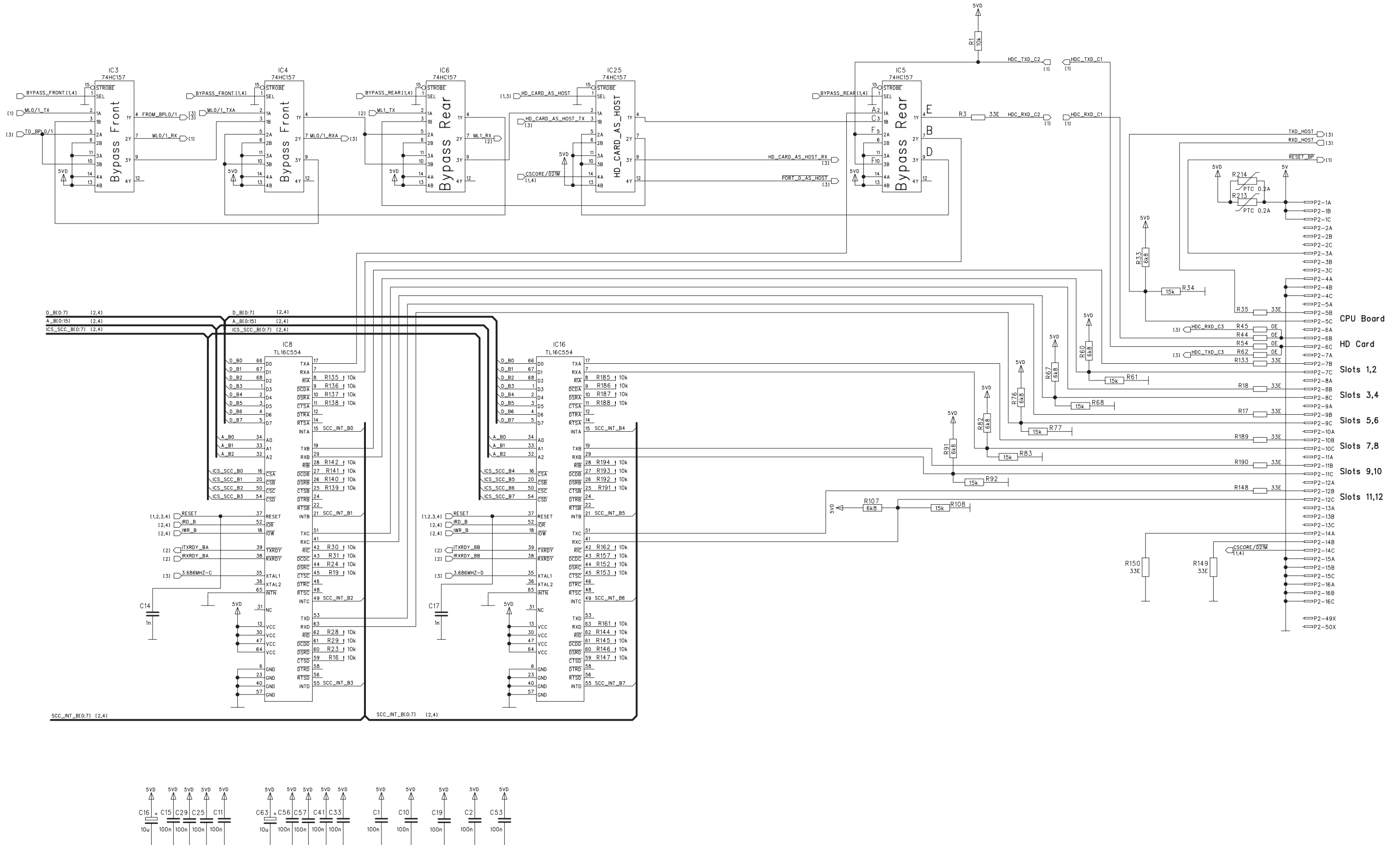
- (01) 05.09.06 C5, C6 not used
(02) 08.11.06 C5, C6 used; label B



01.03.2006	WO	.	.
Date:	Drawn:	View:	Sheet:
0		1 / 4	
Issue:	Page:	Page:	Sheet:

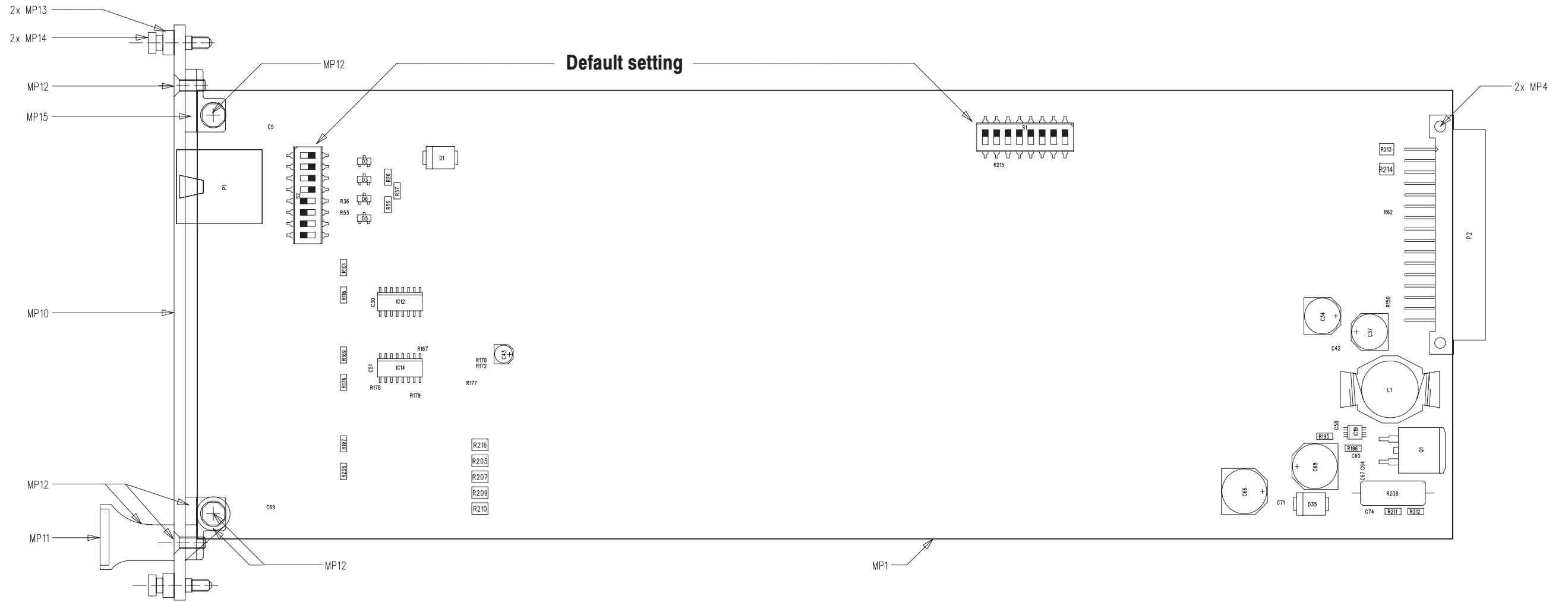




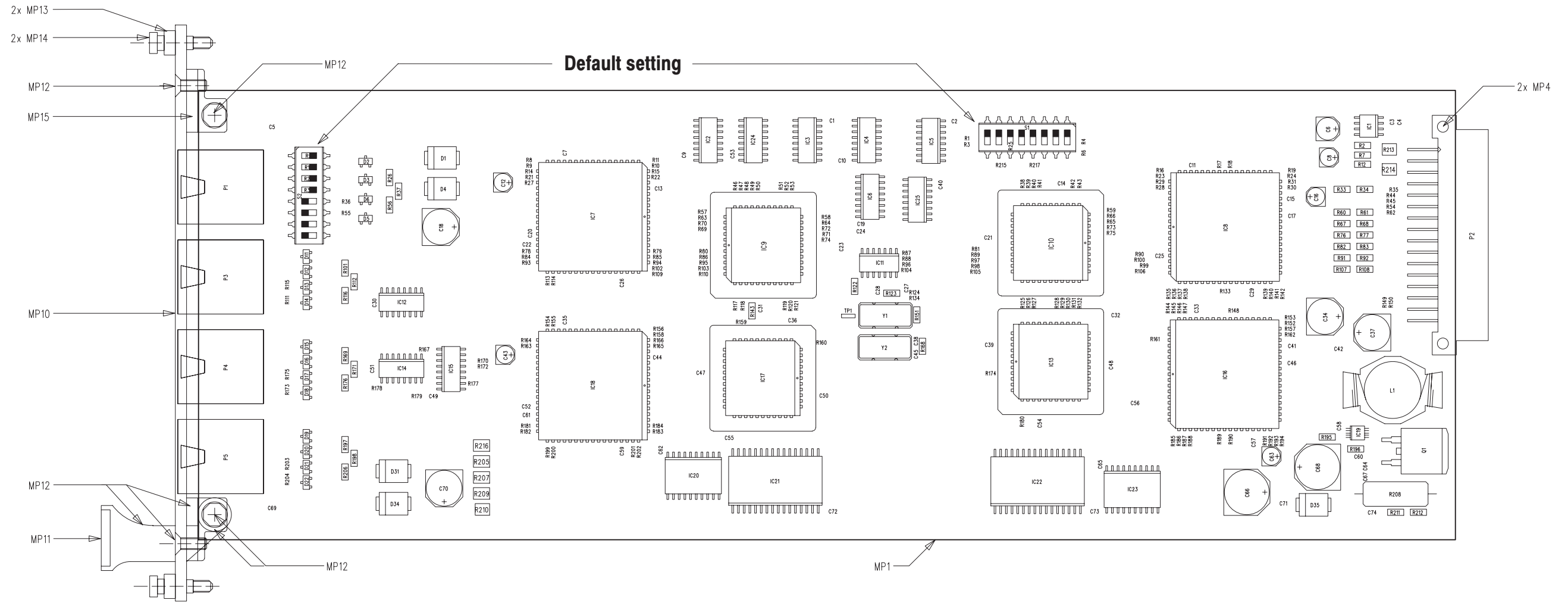


01.03.2006	WO		
Index	0	Page	4 / 4
STUDER		DUAL MERGER CARD	
		1.949.440.21	

Serial Card RJ45 1.949.439.82 (0)



Dual Merger Card 1.949.440.21 (0)



Serial Card, RJ45 1.949.439.82 (0)

Idx. Pos.	Part No.	Qty.	Type/Val.	Description	Idx. Pos.	Part No.	Qty.	Type/Val.	Description
0 C 1	not used	1 pce	100n	CER 50V, 10%, X7R, 0805	0 IC 8	not used	1 pce	TL16C554	4-fach UART
0 C 2	not used	1 pce	100n	CER 50V, 10%, X7R, 0805	0 IC 9	not used	1 pce	89S53	SW 451/452 Merger (50.63.0010)
0 C 3	not used	1 pce	100n	CER 50V, 10%, X7R, 0805	0 IC 10	not used	1 pce	89S53	SW 451/452 Merger (50.63.0010)
0 C 4	not used	1 pce	1n0	CER 50V, 5%, COG, 0805	0 IC 11	not used	1 pce	74HCU04	Hex inverter unbuffered
0 C 5	59.60.3337	1 pce	100n	CER 50V, 10%, X7R, 0805	0 IC 12	50.62.0463	1 pce	DS34C86	4*RS 422 Line Receiver
0 C 6	not used	1 pce	47u	EL 6V, 5.0*5.7	0 IC 13	not used	1 pce	EPLD 7032 SLC	SW 451/452 MINT (50.63.4201)
0 C 7	not used	1 pce	100n	CER 50V, 10%, X7R, 0805	0 IC 14	50.62.0464	1 pce	DS34C87	4*RS 422 Line Driver
0 C 8	not used	1 pce	22u	EL 6V, 4.0*5.7	0 IC 15	not used	1 pce	74HC157	Quad 2ch multiplexer
0 C 9	not used	1 pce	100n	CER 50V, 10%, X7R, 0805	0 IC 16	not used	1 pce	TL16C554	4-fach UART
0 C 10	not used	1 pce	100n	CER 50V, 10%, X7R, 0805	0 IC 17	not used	1 pce	EPLD 7032 SLC	SW 451/452 MINT (50.63.4201)
0 C 11	not used	1 pce	100n	CER 50V, 10%, X7R, 0805	0 IC 18	not used	1 pce	TL16C554	4-fach UART
0 C 12	not used	1 pce	10u	EL 16V, 4.0*5.7	0 IC 19	50.61.2008	1 pce	MAX668	Step up switching regulator
0 C 13	not used	1 pce	100n	CER 50V, 10%, X7R, 0805	0 IC 20	not used	1 pce	74HC573	Octal D-type latch
0 C 14	not used	1 pce	1n0	CER 50V, 5%, COG, 0805	0 IC 21	not used	1 pce	551001	SRAM 128K*8, 100ns
0 C 15	not used	1 pce	100n	CER 50V, 10%, X7R, 0805	0 IC 22	not used	1 pce	551001	SRAM 128K*8, 100ns
0 C 16	not used	1 pce	10u	EL 16V, 4.0*5.7	0 IC 23	not used	1 pce	74HC573	Octal D-type latch
0 C 17	not used	1 pce	1n0	CER 50V, 5%, COG, 0805	0 IC 24	not used	1 pce	74HC157	Quad 2ch multiplexer
0 C 18	59.68.0113	1 pce	47u	EL 35V, 8.0*6.3	0 IC 25	not used	1 pce	74HC157	Quad 2ch multiplexer
0 C 19	not used	1 pce	100n	CER 50V, 10%, X7R, 0805	0 L 1	62.60.0510	1 pce	10uH	SMD 6.5A 8860
0 C 20	not used	1 pce	1n0	CER 50V, 5%, COG, 0805	0 MP 1	1.949.440.13	1 pce		DUAL MERGER CARD PCB
0 C 21	not used	1 pce	100n	CER 50V, 10%, X7R, 0805	0 MP 2	1.949.439.10	1 pce		Nr. ETIKETTE 5x20
0 C 22	not used	1 pce	100n	CER 50V, 10%, X7R, 0805	0 MP 3	43.01.0108	1 pce	Label	ESE-Warnschild
0 C 23	not used	1 pce	100n	CER 50V, 10%, X7R, 0805	0 MP 4	28.99.0119	2 pcs		ROHRNIETE D 2.5*0.15* 9
0 C 24	not used	1 pce	100n	CER 50V, 10%, X7R, 0805	0 MP 10	1.949.439.01	1 pce		FRONTPLATTE SERIAL CARD RJ45
0 C 25	not used	1 pce	100n	CER 50V, 10%, X7R, 0805	0 MP 11	1.940.600.05	1 pce		GRIFFEINLAGE 4TE
0 C 26	not used	1 pce	100n	CER 50V, 10%, X7R, 0805	0 MP 12	49.02.0514	1 pce	4TE	Frontplatten-Griffsatz
0 C 27	not used	1 pce	33p	CER 50V, 5%, COG, 0603	0 MP 13	49.02.0521	2 pcs		Metal-Buchse (Rack)
0 C 28	not used	1 pce	33p	CER 50V, 5%, COG, 0603	0 MP 14	49.02.0524	2 pcs	M2.5*12	Schraube spezial
0 C 29	not used	1 pce	100n	CER 50V, 10%, X7R, 0805	0 MP 15	49.02.0522	1 pce		Kartenhalter mit Z-Schr
0 C 30	59.60.3337	1 pce	100n	CER 50V, 10%, X7R, 0805	0 P 1	54.20.1001	1 pce	8p	RJ 45 Modular Jack side entry
0 C 31	not used	1 pce	1n0	CER 50V, 5%, COG, 0805	0 P 2	54.11.2261	1 pce	48p	EU-CK 3*16, lot
0 C 32	not used	1 pce	100n	CER 50V, 10%, X7R, 0805	0 P 3	not used	1 pce	8p	RJ 45 Modular Jack side entry
0 C 33	not used	1 pce	100n	CER 50V, 10%, X7R, 0805	0 P 4	not used	1 pce	8p	RJ 45 Modular Jack side entry
0 C 34	59.68.0031	1 pce	220u	EL 6V, 8.0*6.3	0 P 5	not used	1 pce	8p	RJ 45 Modular Jack side entry
0 C 35	not used	1 pce	100n	CER 50V, 10%, X7R, 0805	0 Q 1	50.60.2202	1 pce	FDB7030	PowerMOS N-Ch 30V, 50A
0 C 36	not used	1 pce	100n	CER 50V, 10%, X7R, 0805	0 R 1	not used	1 pce	10k	CF 5% 0603
0 C 37	59.68.0031	1 pce	220u	EL 6V, 8.0*6.3	0 R 2	not used	1 pce	10k	MF, 1%, 0204, E24
0 C 38	not used	1 pce	33p	CER 50V, 5%, COG, 0603	0 R 3	not used	1 pce	33R	CF 5% 0603
0 C 39	not used	1 pce	100n	CER 50V, 10%, X7R, 0805	0 R 4	not used	1 pce	10k	CF 5% 0603
0 C 40	not used	1 pce	100n	CER 50V, 10%, X7R, 0805	0 R 5	not used	1 pce	0R0	CF 5% 0603
0 C 41	not used	1 pce	100n	CER 50V, 10%, X7R, 0805	0 R 6	not used	1 pce	10k	CF 5% 0603
0 C 42	59.60.3337	1 pce	100n	CER 50V, 10%, X7R, 0805	0 R 7	not used	1 pce	10R	MF, 1%, 0204, E24
0 C 43	59.68.0065	1 pce	10u	EL 16V, 4.0*5.7	0 R 8	not used	1 pce	10k	CF 5% 0603
0 C 44	not used	1 pce	100n	CER 50V, 10%, X7R, 0805	0 R 9	not used	1 pce	10k	CF 5% 0603
0 C 45	not used	1 pce	33p	CER 50V, 5%, COG, 0603	0 R 10	not used	1 pce	10k	CF 5% 0603
0 C 46	not used	1 pce	1n0	CER 50V, 5%, COG, 0805	0 R 11	not used	1 pce	10k	CF 5% 0603
0 C 47	not used	1 pce	100n	CER 50V, 10%, X7R, 0805	0 R 12	not used	1 pce	1k5	MF, 1%, 0204, E24
0 C 48	not used	1 pce	100n	CER 50V, 10%, X7R, 0805	0 R 13	not used	1 pce	0R0	CF 5% 0603
0 C 49	not used	1 pce	100n	CER 50V, 10%, X7R, 0805	0 R 14	not used	1 pce	10k	CF 5% 0603
0 C 50	not used	1 pce	100n	CER 50V, 10%, X7R, 0805	0 R 15	not used	1 pce	10k	CF 5% 0603
0 C 51	59.60.3337	1 pce	100n	CER 50V, 10%, X7R, 0805	0 R 16	not used	1 pce	10k	CF 5% 0603
0 C 52	not used	1 pce	1n0	CER 50V, 5%, COG, 0805	0 R 17	not used	1 pce	33R	CF 5% 0603
0 C 53	not used	1 pce	100n	CER 50V, 10%, X7R, 0805	0 R 18	not used	1 pce	33R	CF 5% 0603
0 C 54	not used	1 pce	100n	CER 50V, 10%, X7R, 0805	0 R 19	not used	1 pce	10k	CF 5% 0603
0 C 55	not used	1 pce	100n	CER 50V, 10%, X7R, 0805	0 R 20	not used	1 pce	0R0	CF 5% 0603
0 C 56	not used	1 pce	100n	CER 50V, 10%, X7R, 0805	0 R 21	not used	1 pce	10k	CF 5% 0603
0 C 57	not used	1 pce	100n	CER 50V, 10%, X7R, 0805	0 R 22	not used	1 pce	10k	CF 5% 0603
0 C 58	59.60.3903	1 pce	1u0	CER 6.3V, 0603	0 R 23	not used	1 pce	10k	CF 5% 0603
0 C 59	not used	1 pce	100n	CER 50V, 10%, X7R, 0805	0 R 24	not used	1 pce	10k	CF 5% 0603
0 C 60	59.60.2257	1 pce	220p	CER 50V, 5%, COG, 0603	0 R 25	not used	1 pce	0R0	CF 5% 0603
0 C 61	not used	1 pce	100n	CER 50V, 10%, X7R, 0805	0 R 26	57.60.1152	1 pce	1k5	MF, 1%, 0204, E24
0 C 62	not used	1 pce	100n	CER 50V, 10%, X7R, 0805	0 R 27	not used	1 pce	10k	CF 5% 0603
0 C 63	not used	1 pce	10u	EL 16V, 4.0*5.7	0 R 28	not used	1 pce	10k	CF 5% 0603
0 C 64	59.60.3337	1 pce	100n	CER 50V, 10%, X7R, 0805	0 R 29	not used	1 pce	10k	CF 5% 0603
0 C 65	not used	1 pce	100n	CER 50V, 10%, X7R, 0805	0 R 30	not used	1 pce	10k	CF 5% 0603
0 C 66	59.68.0317	1 pce	220u	EL 35V, 10 *10.7 lowESR	0 R 31	not used	1 pce	10k	CF 5% 0603
0 C 67	59.60.3337	1 pce	100n	CER 50V, 10%, X7R, 0805	0 R 32	not used	1 pce	0R0	CF 5% 0603
0 C 68	59.68.0317	1 pce	220u	EL 35V, 10 *10.7 lowESR	0 R 33	not used	1 pce	6k8	MF, 1%, 0204, E24
0 C 69	59.60.3337	1 pce	100n	CER 50V, 10%, X7R, 0805	0 R 34	not used	1 pce	15k	MF, 1%, 0204, E24
0 C 70	not used	1 pce	47u	EL 35V, 8.0*6.3	0 R 35	not used	1 pce	33R	CF 5% 0603
0 C 71	59.60.3337	1 pce	100n	CER 50V, 10%, X7R, 0805	0 R 36	57.69.1037	1 pce	33R	CF 5% 0603
0 C 72	not used	1 pce	100n	CER 50V, 10%, X7R, 0805	0 R 37	57.60.1221	1 pce	220R	MF, 1%, 0204, E24
0 C 73	not used	1 pce	100n	CER 50V, 10%, X7R, 0805	0 R 38	not used	1 pce	10k	CF 5% 0603
0 C 74	59.60.2373	1 pce	1n0	CER 50V, 5%, COG, 0805	0 R 39	not used	1 pce	10k	CF 5% 0603
0 D 1	50.60.8102	1 pce	SS34	3A 40V Schottky	0 R 40	not used	1 pce	10k	CF 5% 0603
0 D 2	50.60.8901	1 pce	BAV99	250mA 70V dual SOT 23	0 R 41	not used	1 pce	1k0	CF 5% 0603
0 D 3	50.60.8901	1 pce	BAV99	250mA 70V dual SOT 23	0 R 42	not used	1 pce	10k	CF 5% 0603
0 D 4	not used	1 pce	SS34	3A 40V Schottky	0 R 43	not used	1 pce	10k	CF 5% 0603
0 D 5	50.60.8901	1 pce	BAV99	250mA 70V dual SOT 23	0 R 44	not used	1 pce	0R0	CF 5% 0603
0 D 6	50.60.8901	1 pce	BAV99	250mA 70V dual SOT 23	0 R 45	57.69.1000	1 pce	0R0	CF 5% 0603
0 D 11	not used	1 pce	BAV99	250mA 70V dual SOT 23	0 R 46	not used	1 pce	10k	CF 5% 0603
0 D 12	not used	1 pce	BAV99	250mA 70V dual SOT 23	0 R 47	not used	1 pce	10k	CF 5% 0603
0 D 13	not used	1 pce	BAV99	250mA 70V dual SOT 23	0 R 48	not used	1 pce	10k	CF 5% 0603
0 D 14	not used	1 pce	BAV99	250mA 70V dual SOT 23	0 R 49	not used	1 pce	10k	CF 5% 0603
0 D 15	not used	1 pce	BAV99	250mA 70V dual SOT 23	0 R 50	not used	1 pce	10k	CF 5% 0603
0 D 16	not used	1 pce	BAV99	250mA 70V dual SOT 23	0 R 51	not used	1 pce	10k	CF 5% 0603
0 D 17	not used	1 pce	BAV99	250mA 70V dual SOT 23	0 R 52	not used	1 pce	10k	CF 5% 0603
0 D 18	not used	1 pce	BAV99	250mA 70V dual SOT 23	0 R 53	not used	1 pce	10k	CF 5% 0603
0 D 19	not used	1 pce	BAV99	250mA 70V dual SOT 23	0 R 54	not used	1 pce	0R0	CF 5% 0603
0 D 20	not used	1 pce	BAV99	250mA 70V dual SOT 23	0 R 55	57.69.1037	1 pce	33R	CF 5% 0603
0 D 21	not used	1 pce	BAV99	250mA 70V dual SOT 23	0 R 56	57.60.1152	1 pce	1k5	MF, 1%, 0204, E24
0 D 22	not used	1 pce	BAV99	250mA 70V dual SOT 23	0 R 57	not used	1 pce	10k	CF 5% 0603
0 D 31	not used	1 pce	SS34	3A 40V Schottky	0 R 58	not used	1 pce	10k	CF 5% 0603
0 D 34	not used	1 pce	SS34	3A 40V Schottky	0 R 59	not used	1 pce	10k	CF 5% 0603
0 D 35	50.60.8102	1 pce	SS34	3A 40V Schottky	0 R 60	not used	1 pce	6k8	MF, 1%, 0204, E24
0 IC 1	not used	1 pce	7705B	Reset Generator	0 R 61	not used	1 pce	15k	MF, 1%, 0204, E24
0 IC 2	not used	1 pce	74HC157	Quad 2ch multiplexer	0 R 62	57.69.1000	1 pce	0R0	CF 5% 0603
0 IC 3	not used	1 pce	74HC157	Quad 2ch multiplexer	0 R 63	not used	1 pce	10k	CF 5% 0603
0 IC 4	not used	1 pce	74HC157	Quad 2ch multiplexer	0 R 64	not used	1 pce	10k	CF 5% 0603
0 IC 5	not used	1 pce	74HC157	Quad 2ch multiplexer	0 R 65	not used	1 pce	10k	CF 5% 0603
0 IC 6	not used	1 pce	74HC157	Quad 2ch multiplexer	0 R 66	not used	1 pce	10k	CF 5% 0603
0 IC 7	not used	1 pce	TL16C554	4-fach UART	0 R 67	not used	1 pce	6k8	MF, 1%, 0204, E24
					0 R 68	not used	1 pce	15k	MF, 1%, 0204, E24

Serial Card, RJ45 1.949.439.82 (0)

Idx. Pos.	Part No.	Qty.	Type/Val.	Description
0 R 69	not used	1 pce	10k	CF 5% 0603
0 R 70	not used	1 pce	10k	CF 5% 0603
0 R 71	not used	1 pce	10k	CF 5% 0603
0 R 72	not used	1 pce	10k	CF 5% 0603
0 R 73	not used	1 pce	10k	CF 5% 0603
0 R 74	not used	1 pce	10k	CF 5% 0603
0 R 75	not used	1 pce	10k	CF 5% 0603
0 R 76	not used	1 pce	6k8	MF, 1%, 0204, E24
0 R 77	not used	1 pce	15k	MF, 1%, 0204, E24
0 R 78	not used	1 pce	10k	CF 5% 0603
0 R 79	not used	1 pce	10k	CF 5% 0603
0 R 80	not used	1 pce	10k	CF 5% 0603
0 R 81	not used	1 pce	10k	CF 5% 0603
0 R 82	not used	1 pce	6k8	MF, 1%, 0204, E24
0 R 83	not used	1 pce	15k	MF, 1%, 0204, E24
0 R 84	not used	1 pce	10k	CF 5% 0603
0 R 85	not used	1 pce	10k	CF 5% 0603
0 R 86	not used	1 pce	10k	CF 5% 0603
0 R 87	not used	1 pce	33R	CF 5% 0603
0 R 88	not used	1 pce	33R	CF 5% 0603
0 R 89	not used	1 pce	10k	CF 5% 0603
0 R 90	not used	1 pce	10k	CF 5% 0603
0 R 91	not used	1 pce	6k8	MF, 1%, 0204, E24
0 R 92	not used	1 pce	15k	MF, 1%, 0204, E24
0 R 93	not used	1 pce	10k	CF 5% 0603
0 R 94	not used	1 pce	10k	CF 5% 0603
0 R 95	not used	1 pce	10k	CF 5% 0603
0 R 96	not used	1 pce	33R	CF 5% 0603
0 R 97	not used	1 pce	10k	CF 5% 0603
0 R 98	not used	1 pce	10k	CF 5% 0603
0 R 99	not used	1 pce	10k	CF 5% 0603
0 R 100	not used	1 pce	10k	CF 5% 0603
0 R 101	57.60.1152	1 pce	1k5	MF, 1%, 0204, E24
0 R 102	not used	1 pce	10k	CF 5% 0603
0 R 103	not used	1 pce	10k	CF 5% 0603
0 R 104	not used	1 pce	33R	CF 5% 0603
0 R 105	not used	1 pce	10k	CF 5% 0603
0 R 106	not used	1 pce	10k	CF 5% 0603
0 R 107	not used	1 pce	6k8	MF, 1%, 0204, E24
0 R 108	not used	1 pce	15k	MF, 1%, 0204, E24
0 R 109	not used	1 pce	10k	CF 5% 0603
0 R 110	not used	1 pce	10k	CF 5% 0603
0 R 111	not used	1 pce	33R	CF 5% 0603
0 R 112	not used	1 pce	220R	MF, 1%, 0204, E24
0 R 113	not used	1 pce	10k	CF 5% 0603
0 R 114	not used	1 pce	10k	CF 5% 0603
0 R 115	not used	1 pce	33R	CF 5% 0603
0 R 116	57.60.1152	1 pce	1k5	MF, 1%, 0204, E24
0 R 117	not used	1 pce	10k	CF 5% 0603
0 R 118	not used	1 pce	10k	CF 5% 0603
0 R 119	not used	1 pce	1k0	CF 5% 0603
0 R 120	not used	1 pce	10k	CF 5% 0603
0 R 121	not used	1 pce	10k	CF 5% 0603
0 R 122	not used	1 pce	100R	MF, 1%, 0204, E24
0 R 123	not used	1 pce	1M0	MF, 1%, 0204, E24
0 R 124	not used	1 pce	33R	CF 5% 0603
0 R 125	not used	1 pce	10k	CF 5% 0603
0 R 126	not used	1 pce	10k	CF 5% 0603
0 R 127	not used	1 pce	10k	CF 5% 0603
0 R 128	not used	1 pce	10k	CF 5% 0603
0 R 129	not used	1 pce	10k	CF 5% 0603
0 R 130	not used	1 pce	10k	CF 5% 0603
0 R 131	not used	1 pce	10k	CF 5% 0603
0 R 132	not used	1 pce	10k	CF 5% 0603
0 R 133	not used	1 pce	33R	CF 5% 0603
0 R 134	not used	1 pce	33R	CF 5% 0603
0 R 135	not used	1 pce	10k	CF 5% 0603
0 R 136	not used	1 pce	10k	CF 5% 0603
0 R 137	not used	1 pce	10k	CF 5% 0603
0 R 138	not used	1 pce	10k	CF 5% 0603
0 R 139	not used	1 pce	10k	CF 5% 0603
0 R 140	not used	1 pce	10k	CF 5% 0603
0 R 141	not used	1 pce	10k	CF 5% 0603
0 R 142	not used	1 pce	10k	CF 5% 0603
0 R 143	not used	1 pce	3k3	MF, 1%, 0204, E24
0 R 144	not used	1 pce	10k	CF 5% 0603
0 R 145	not used	1 pce	10k	CF 5% 0603
0 R 146	not used	1 pce	10k	CF 5% 0603
0 R 147	not used	1 pce	10k	CF 5% 0603
0 R 148	not used	1 pce	33R	CF 5% 0603
0 R 149	not used	1 pce	33R	CF 5% 0603
0 R 150	57.69.1037	1 pce	33R	CF 5% 0603
0 R 151	not used	1 pce	100R	MF, 1%, 0204, E24
0 R 152	not used	1 pce	10k	CF 5% 0603
0 R 153	not used	1 pce	10k	CF 5% 0603
0 R 154	not used	1 pce	10k	CF 5% 0603
0 R 155	not used	1 pce	10k	CF 5% 0603
0 R 156	not used	1 pce	10k	CF 5% 0603
0 R 157	not used	1 pce	10k	CF 5% 0603
0 R 158	not used	1 pce	10k	CF 5% 0603
0 R 159	not used	1 pce	10k	CF 5% 0603
0 R 160	not used	1 pce	10k	CF 5% 0603
0 R 161	not used	1 pce	10k	CF 5% 0603
0 R 162	not used	1 pce	10k	CF 5% 0603
0 R 163	not used	1 pce	10k	CF 5% 0603
0 R 164	not used	1 pce	10k	CF 5% 0603
0 R 165	not used	1 pce	10k	CF 5% 0603
0 R 166	not used	1 pce	10k	CF 5% 0603
0 R 167	57.69.1097	1 pce	10k	CF 5% 0603
0 R 168	not used	1 pce	1M0	MF, 1%, 0204, E24
0 R 169	57.60.1152	1 pce	1k5	MF, 1%, 0204, E24
0 R 170	57.69.1097	1 pce	10k	CF 5% 0603
0 R 171	not used	1 pce	220R	MF, 1%, 0204, E24

Idx. Pos.	Part No.	Qty.	Type/Val.	Description
0 R 172	57.69.1037	1 pce	33R	CF 5% 0603
0 R 173	not used	1 pce	33R	CF 5% 0603
0 R 174	not used	1 pce	10k	CF 5% 0603
0 R 175	not used	1 pce	33R	CF 5% 0603
0 R 176	57.60.1152	1 pce	1k5	MF, 1%, 0204, E24
0 R 177	57.69.1037	1 pce	33R	CF 5% 0603
0 R 178	57.69.1097	1 pce	10k	CF 5% 0603
0 R 179	57.69.1097	1 pce	10k	CF 5% 0603
0 R 180	not used	1 pce	10k	CF 5% 0603
0 R 181	not used	1 pce	10k	CF 5% 0603
0 R 182	not used	1 pce	10k	CF 5% 0603
0 R 183	not used	1 pce	10k	CF 5% 0603
0 R 184	not used	1 pce	10k	CF 5% 0603
0 R 185	not used	1 pce	10k	CF 5% 0603
0 R 186	not used	1 pce	10k	CF 5% 0603
0 R 187	not used	1 pce	10k	CF 5% 0603
0 R 188	not used	1 pce	10k	CF 5% 0603
0 R 189	not used	1 pce	33R	CF 5% 0603
0 R 190	not used	1 pce	33R	CF 5% 0603
0 R 191	not used	1 pce	10k	CF 5% 0603
0 R 192	not used	1 pce	10k	CF 5% 0603
0 R 193	not used	1 pce	10k	CF 5% 0603
0 R 194	not used	1 pce	10k	CF 5% 0603
0 R 195	57.60.1224	1 pce	220k	MF, 1%, 0204, E24
0 R 196	57.60.1203	1 pce	20k	MF, 1%, 0204, E24
0 R 197	57.60.1152	1 pce	1k5	MF, 1%, 0204, E24
0 R 198	not used	1 pce	220R	MF, 1%, 0204, E24
0 R 199	not used	1 pce	10k	CF 5% 0603
0 R 200	not used	1 pce	10k	CF 5% 0603
0 R 201	not used	1 pce	10k	CF 5% 0603
0 R 202	not used	1 pce	10k	CF 5% 0603
0 R 203	not used	1 pce	33R	CF 5% 0603
0 R 204	not used	1 pce	33R	CF 5% 0603
0 R 205	57.69.8302	1 pce	0.2A	PTC
0 R 206	57.60.1152	1 pce	1k5	MF, 1%, 0204, E24
0 R 207	57.69.8302	1 pce	0.2A	PTC
0 R 208	57.56.2010	1 pce	R010	WW, 5%, 3 W
0 R 209	57.69.8302	1 pce	0.2A	PTC
0 R 210	57.69.8302	1 pce	0.2A	PTC
0 R 211	57.60.1221	1 pce	220R	MF, 1%, 0204, E24
0 R 212	57.60.1394	1 pce	390k	MF, 1%, 0204, E24
0 R 213	57.69.8302	1 pce	0.2A	PTC
0 R 214	57.69.8302	1 pce	0.2A	PTC
0 R 215	57.69.1097	1 pce	10k	CF 5% 0603
0 R 216	57.69.8302	1 pce	0.2A	PTC
0 R 217	not used	1 pce	10k	CF 5% 0603
0 S 1	55.60.0108	1 pce	8p	SMD DIL-Switch
0 S 2	55.60.0108	1 pce	8p	SMD DIL-Switch
0 TP 1	not used	1 pce	1p	PCB-Flachst 2.8*0.8, gerade
0 XIC 9	not used	1 pce	44p	PLCC, SMD
0 XIC 10	not used	1 pce	44p	PLCC, SMD
0 XIC 13	not used	1 pce	44p	PLCC, SMD
0 XIC 17	not used	1 pce	44p	PLCC, SMD
0 Y 1	not used	1 pce	3.6864MHz	SMD Quartz 3.6864 MHz
0 Y 2	not used	1 pce	22.1184MHz	SMD Quartz

End of List

Comments:

Dual Merger Card, RJ45 1.949.440.21 (0)

Idx. Pos.	Part No.	Qty.	Type/Val.	Description	Idx. Pos.	Part No.	Qty.	Type/Val.	Description
0 C 1	59.60.3337	1	pce 100n	CER 50V, 10%, X7R, 0805	0 IC 8	50.63.0209	1	pce	TL16C554 4-fach UART
0 C 2	59.60.3337	1	pce 100n	CER 50V, 10%, X7R, 0805	0 IC 9	1.943.919.20	1	pce	89S53 SW 451/452 Merger (50.63.0010)
0 C 3	59.60.3337	1	pce 100n	CER 50V, 10%, X7R, 0805	0 IC 10	1.943.919.20	1	pce	89S53 SW 451/452 Merger (50.63.0010)
0 C 4	59.60.2373	1	pce 1n0	CER 50V, 5%, COG, 0805	0 IC 11	50.62.1904	1	pce	74HCU04 Hex inverter unbuffered
0 C 5	59.60.3337	1	pce 100n	CER 50V, 10%, X7R, 0805	0 IC 12	50.62.0463	1	pce	DS34C86 4*RS 422 Line Receiver
0 C 6	59.68.0027	1	pce 47u	EL 6V, 5.0*5.7	0 IC 13	1.943.920.20	1	pce	EPLD 7032 SLC SW 451/452 MINT (50.63.4201)
0 C 7	59.60.3337	1	pce 100n	CER 50V, 10%, X7R, 0805	0 IC 14	50.62.0464	1	pce	DS34C87 4*RS 422 Line Driver
0 C 8	59.68.0025	1	pce 22u	EL 6V, 4.0*5.7	0 IC 15	50.62.1157	1	pce	74HC157 Quad 2ch multiplexer
0 C 9	59.60.3337	1	pce 100n	CER 50V, 10%, X7R, 0805	0 IC 16	50.63.0209	1	pce	TL16C554 4-fach UART
0 C 10	59.60.3337	1	pce 100n	CER 50V, 10%, X7R, 0805	0 IC 17	1.943.920.20	1	pce	EPLD 7032 SLC SW 451/452 MINT (50.63.4201)
0 C 11	59.60.3337	1	pce 100n	CER 50V, 10%, X7R, 0805	0 IC 18	50.63.0209	1	pce	TL16C554 4-fach UART
0 C 12	59.68.0065	1	pce 10u	EL 16V, 4.0*5.7	0 IC 19	50.61.2008	1	pce	MAX668 Step up switching regulator
0 C 13	59.60.3337	1	pce 100n	CER 50V, 10%, X7R, 0805	0 IC 20	50.62.1573	1	pce	74HC573 Octal D-type latch
0 C 14	59.60.2373	1	pce 1n0	CER 50V, 5%, COG, 0805	0 IC 21	50.63.1504	1	pce	551001 SRAM 128K*8, 100ns
0 C 15	59.60.3337	1	pce 100n	CER 50V, 10%, X7R, 0805	0 IC 22	50.63.1504	1	pce	551001 SRAM 128K*8, 100ns
0 C 16	59.68.0065	1	pce 10u	EL 16V, 4.0*5.7	0 IC 23	50.62.1573	1	pce	74HC573 Octal D-type latch
0 C 17	59.60.2373	1	pce 1n0	CER 50V, 5%, COG, 0805	0 IC 24	50.62.1157	1	pce	74HC157 Quad 2ch multiplexer
0 C 18	59.68.0113	1	pce 47u	EL 35V, 8.0*6.3	0 IC 25	50.62.1157	1	pce	74HC157 Quad 2ch multiplexer
0 C 19	59.60.3337	1	pce 100n	CER 50V, 10%, X7R, 0805	0 L 1	62.60.0510	1	pce	10uH SMD 6.5A 8860
0 C 20	59.60.2373	1	pce 1n0	CER 50V, 5%, COG, 0805	0 MP 1	1.949.440.13	1	pce	DUAL MERGER CARD PCB
0 C 21	59.60.3337	1	pce 100n	CER 50V, 10%, X7R, 0805	0 MP 2	1.949.440.10	1	pce	Nr. ETIKETTE 5x20
0 C 22	59.60.3337	1	pce 100n	CER 50V, 10%, X7R, 0805	0 MP 3	43.01.0108	1	pce	Label ESE-Warnschild
0 C 23	59.60.3337	1	pce 100n	CER 50V, 10%, X7R, 0805	0 MP 4	28.99.0119	2	pcs	ROHRNIETE D 2.5*0.15* 9
0 C 24	59.60.3337	1	pce 100n	CER 50V, 10%, X7R, 0805	0 MP 10	1.949.440.01	1	pce	FRONTPLATTE DUAL MERGER CARD
0 C 25	59.60.3337	1	pce 100n	CER 50V, 10%, X7R, 0805	0 MP 11	1.940.600.05	1	pce	GRIFFEINLAGE 4TE
0 C 26	59.60.3337	1	pce 100n	CER 50V, 10%, X7R, 0805	0 MP 12	49.02.0514	1	pce	4TE Frontplatten-Griffsatz
0 C 27	59.60.2237	1	pce 33p	CER 50V, 5%, COG, 0603	0 MP 13	49.02.0521	2	pcs	Metal-Buchse (Rack)
0 C 28	59.60.2237	1	pce 33p	CER 50V, 5%, COG, 0603	0 MP 14	49.02.0524	2	pcs	M2.5*12 Schraube spezial
0 C 29	59.60.3337	1	pce 100n	CER 50V, 10%, X7R, 0805	0 MP 15	49.02.0522	1	pce	Kartenhalter mit Z-Schr
0 C 30	59.60.3337	1	pce 100n	CER 50V, 10%, X7R, 0805	0 P 1	54.20.1001	1	pce	8p RJ 45 Modular Jack side entry
0 C 31	59.60.2373	1	pce 1n0	CER 50V, 5%, COG, 0805	0 P 2	54.11.2261	1	pce	48p EU-CK 3*16, lot
0 C 32	59.60.3337	1	pce 100n	CER 50V, 10%, X7R, 0805	0 P 3	54.20.1001	1	pce	8p RJ 45 Modular Jack side entry
0 C 33	59.60.3337	1	pce 100n	CER 50V, 10%, X7R, 0805	0 P 4	54.20.1001	1	pce	8p RJ 45 Modular Jack side entry
0 C 34	59.68.0031	1	pce 220u	EL 6V, 8.0*6.3	0 P 5	54.20.1001	1	pce	8p RJ 45 Modular Jack side entry
0 C 35	59.60.3337	1	pce 100n	CER 50V, 10%, X7R, 0805	0 Q 1	50.60.2202	1	pce	FDB7030 PowerMOS N-Ch 30V, 50A
0 C 36	59.60.3337	1	pce 100n	CER 50V, 10%, X7R, 0805	0 R 1	57.69.1097	1	pce	10k CF 5% 0603
0 C 37	59.68.0031	1	pce 220u	EL 6V, 8.0*6.3	0 R 2	57.60.1103	1	pce	10k MF, 1%, 0204, E24
0 C 38	59.60.2237	1	pce 33p	CER 50V, 5%, COG, 0603	0 R 3	57.69.1037	1	pce	33R CF 5% 0603
0 C 39	59.60.3337	1	pce 100n	CER 50V, 10%, X7R, 0805	0 R 4	57.69.1097	1	pce	10k CF 5% 0603
0 C 40	59.60.3337	1	pce 100n	CER 50V, 10%, X7R, 0805	0 R 5	not used	1	pce	0R0 CF 5% 0603
0 C 41	59.60.3337	1	pce 100n	CER 50V, 10%, X7R, 0805	0 R 6	57.69.1097	1	pce	10k CF 5% 0603
0 C 42	59.60.3337	1	pce 100n	CER 50V, 10%, X7R, 0805	0 R 7	57.60.1100	1	pce	10R MF, 1%, 0204, E24
0 C 43	59.68.0065	1	pce 10u	EL 16V, 4.0*5.7	0 R 8	57.69.1097	1	pce	10k CF 5% 0603
0 C 44	59.60.3337	1	pce 100n	CER 50V, 10%, X7R, 0805	0 R 9	57.69.1097	1	pce	10k CF 5% 0603
0 C 45	59.60.2237	1	pce 33p	CER 50V, 5%, COG, 0603	0 R 10	57.69.1097	1	pce	10k CF 5% 0603
0 C 46	59.60.2373	1	pce 1n0	CER 50V, 5%, COG, 0805	0 R 11	57.69.1097	1	pce	10k CF 5% 0603
0 C 47	59.60.3337	1	pce 100n	CER 50V, 10%, X7R, 0805	0 R 12	57.60.1152	1	pce	1k5 MF, 1%, 0204, E24
0 C 48	59.60.3337	1	pce 100n	CER 50V, 10%, X7R, 0805	0 R 13	not used	1	pce	0R0 CF 5% 0603
0 C 49	59.60.3337	1	pce 100n	CER 50V, 10%, X7R, 0805	0 R 14	57.69.1097	1	pce	10k CF 5% 0603
0 C 50	59.60.3337	1	pce 100n	CER 50V, 10%, X7R, 0805	0 R 15	57.69.1097	1	pce	10k CF 5% 0603
0 C 51	59.60.3337	1	pce 100n	CER 50V, 10%, X7R, 0805	0 R 16	57.69.1097	1	pce	10k CF 5% 0603
0 C 52	59.60.2373	1	pce 1n0	CER 50V, 5%, COG, 0805	0 R 17	57.69.1037	1	pce	33R CF 5% 0603
0 C 53	59.60.3337	1	pce 100n	CER 50V, 10%, X7R, 0805	0 R 18	57.69.1037	1	pce	33R CF 5% 0603
0 C 54	59.60.3337	1	pce 100n	CER 50V, 10%, X7R, 0805	0 R 19	57.69.1097	1	pce	10k CF 5% 0603
0 C 55	59.60.3337	1	pce 100n	CER 50V, 10%, X7R, 0805	0 R 20	not used	1	pce	0R0 CF 5% 0603
0 C 56	59.60.3337	1	pce 100n	CER 50V, 10%, X7R, 0805	0 R 21	57.69.1097	1	pce	10k CF 5% 0603
0 C 57	59.60.3337	1	pce 100n	CER 50V, 10%, X7R, 0805	0 R 22	57.69.1097	1	pce	10k CF 5% 0603
0 C 58	59.60.3903	1	pce 1u0	CER 6.3V, 0603	0 R 23	57.69.1097	1	pce	10k CF 5% 0603
0 C 59	59.60.3337	1	pce 100n	CER 50V, 10%, X7R, 0805	0 R 24	57.69.1097	1	pce	10k CF 5% 0603
0 C 60	59.60.2257	1	pce 220p	CER 50V, 5%, COG, 0603	0 R 25	not used	1	pce	0R0 CF 5% 0603
0 C 61	59.60.3337	1	pce 100n	CER 50V, 10%, X7R, 0805	0 R 26	57.60.1152	1	pce	1k5 MF, 1%, 0204, E24
0 C 62	59.60.3337	1	pce 100n	CER 50V, 10%, X7R, 0805	0 R 27	57.69.1097	1	pce	10k CF 5% 0603
0 C 63	59.68.0065	1	pce 10u	EL 16V, 4.0*5.7	0 R 28	57.69.1097	1	pce	10k CF 5% 0603
0 C 64	59.60.3337	1	pce 100n	CER 50V, 10%, X7R, 0805	0 R 29	57.69.1097	1	pce	10k CF 5% 0603
0 C 65	59.60.3337	1	pce 100n	CER 50V, 10%, X7R, 0805	0 R 30	57.69.1097	1	pce	10k CF 5% 0603
0 C 66	59.68.0317	1	pce 220u	EL 35V, 10 *10.7 lowESR	0 R 31	57.69.1097	1	pce	10k CF 5% 0603
0 C 67	59.60.3337	1	pce 100n	CER 50V, 10%, X7R, 0805	0 R 32	not used	1	pce	0R0 CF 5% 0603
0 C 68	59.68.0317	1	pce 220u	EL 35V, 10 *10.7 lowESR	0 R 33	57.60.1682	1	pce	6k8 MF, 1%, 0204, E24
0 C 69	59.60.3337	1	pce 100n	CER 50V, 10%, X7R, 0805	0 R 34	57.60.1153	1	pce	15k MF, 1%, 0204, E24
0 C 70	59.68.0113	1	pce 47u	EL 35V, 8.0*6.3	0 R 35	57.69.1037	1	pce	33R CF 5% 0603
0 C 71	59.60.3337	1	pce 100n	CER 50V, 10%, X7R, 0805	0 R 36	57.69.1037	1	pce	33R CF 5% 0603
0 C 72	59.60.3337	1	pce 100n	CER 50V, 10%, X7R, 0805	0 R 37	57.60.1221	1	pce	220R MF, 1%, 0204, E24
0 C 73	59.60.3337	1	pce 100n	CER 50V, 10%, X7R, 0805	0 R 38	57.69.1097	1	pce	10k CF 5% 0603
0 C 74	59.60.2373	1	pce 1n0	CER 50V, 5%, COG, 0805	0 R 39	57.69.1097	1	pce	10k CF 5% 0603
0 D 1	50.60.8102	1	pce	SS34 3A 40V Schottky	0 R 40	57.69.1097	1	pce	10k CF 5% 0603
0 D 2	50.60.8901	1	pce	BAV99 250mA 70V dual SOT 23	0 R 41	57.69.1073	1	pce	1k0 CF 5% 0603
0 D 3	50.60.8901	1	pce	BAV99 250mA 70V dual SOT 23	0 R 42	57.69.1097	1	pce	10k CF 5% 0603
0 D 4	50.60.8102	1	pce	SS34 3A 40V Schottky	0 R 43	57.69.1097	1	pce	10k CF 5% 0603
0 D 5	50.60.8901	1	pce	BAV99 250mA 70V dual SOT 23	0 R 44	57.69.1000	1	pce	0R0 CF 5% 0603
0 D 6	50.60.8901	1	pce	BAV99 250mA 70V dual SOT 23	0 R 45	not used	1	pce	0R0 CF 5% 0603
0 D 11	50.60.8901	1	pce	BAV99 250mA 70V dual SOT 23	0 R 46	57.69.1097	1	pce	10k CF 5% 0603
0 D 12	50.60.8901	1	pce	BAV99 250mA 70V dual SOT 23	0 R 47	57.69.1097	1	pce	10k CF 5% 0603
0 D 13	50.60.8901	1	pce	BAV99 250mA 70V dual SOT 23	0 R 48	57.69.1097	1	pce	10k CF 5% 0603
0 D 14	50.60.8901	1	pce	BAV99 250mA 70V dual SOT 23	0 R 49	57.69.1097	1	pce	10k CF 5% 0603
0 D 15	50.60.8901	1	pce	BAV99 250mA 70V dual SOT 23	0 R 50	57.69.1097	1	pce	10k CF 5% 0603
0 D 16	50.60.8901	1	pce	BAV99 250mA 70V dual SOT 23	0 R 51	57.69.1097	1	pce	10k CF 5% 0603
0 D 17	50.60.8901	1	pce	BAV99 250mA 70V dual SOT 23	0 R 52	57.69.1097	1	pce	10k CF 5% 0603
0 D 18	50.60.8901	1	pce	BAV99 250mA 70V dual SOT 23	0 R 53	57.69.1097	1	pce	10k CF 5% 0603
0 D 19	50.60.8901	1	pce	BAV99 250mA 70V dual SOT 23	0 R 54	57.69.1000	1	pce	0R0 CF 5% 0603
0 D 20	50.60.8901	1	pce	BAV99 250mA 70V dual SOT 23	0 R 55	57.69.1037	1	pce	33R CF 5% 0603
0 D 21	50.60.8901	1	pce	BAV99 250mA 70V dual SOT 23	0 R 56	57.60.1152	1	pce	1k5 MF, 1%, 0204, E24
0 D 22	50.60.8901	1	pce	BAV99 250mA 70V dual SOT 23	0 R 57	57.69.1097	1	pce	10k CF 5% 0603
0 D 31	50.60.8102	1	pce	SS34 3A 40V Schottky	0 R 58	57.69.1097	1	pce	10k CF 5% 0603
0 D 34	50.60.8102	1	pce	SS34 3A 40V Schottky	0 R 59	57.69.1097	1	pce	10k CF 5% 0603
0 D 35	50.60.8102	1	pce	SS34 3A 40V Schottky	0 R 60	57.60.1682	1	pce	6k8 MF, 1%, 0204, E24
0 IC 1	50.63.2001	1	pce	7705B Reset Generator	0 R 61	57.60.1153	1	pce	15k MF, 1%, 0204, E24
0 IC 2	50.62.1157	1	pce	74HC157 Quad 2ch multiplexer	0 R 62	not used	1	pce	0R0 CF 5% 0603
0 IC 3	50.62.1157	1	pce	74HC157 Quad 2ch multiplexer	0 R 63	57.69.1097	1	pce	10k CF 5% 0603
0 IC 4	50.62.1157	1	pce	74HC157 Quad 2ch multiplexer					

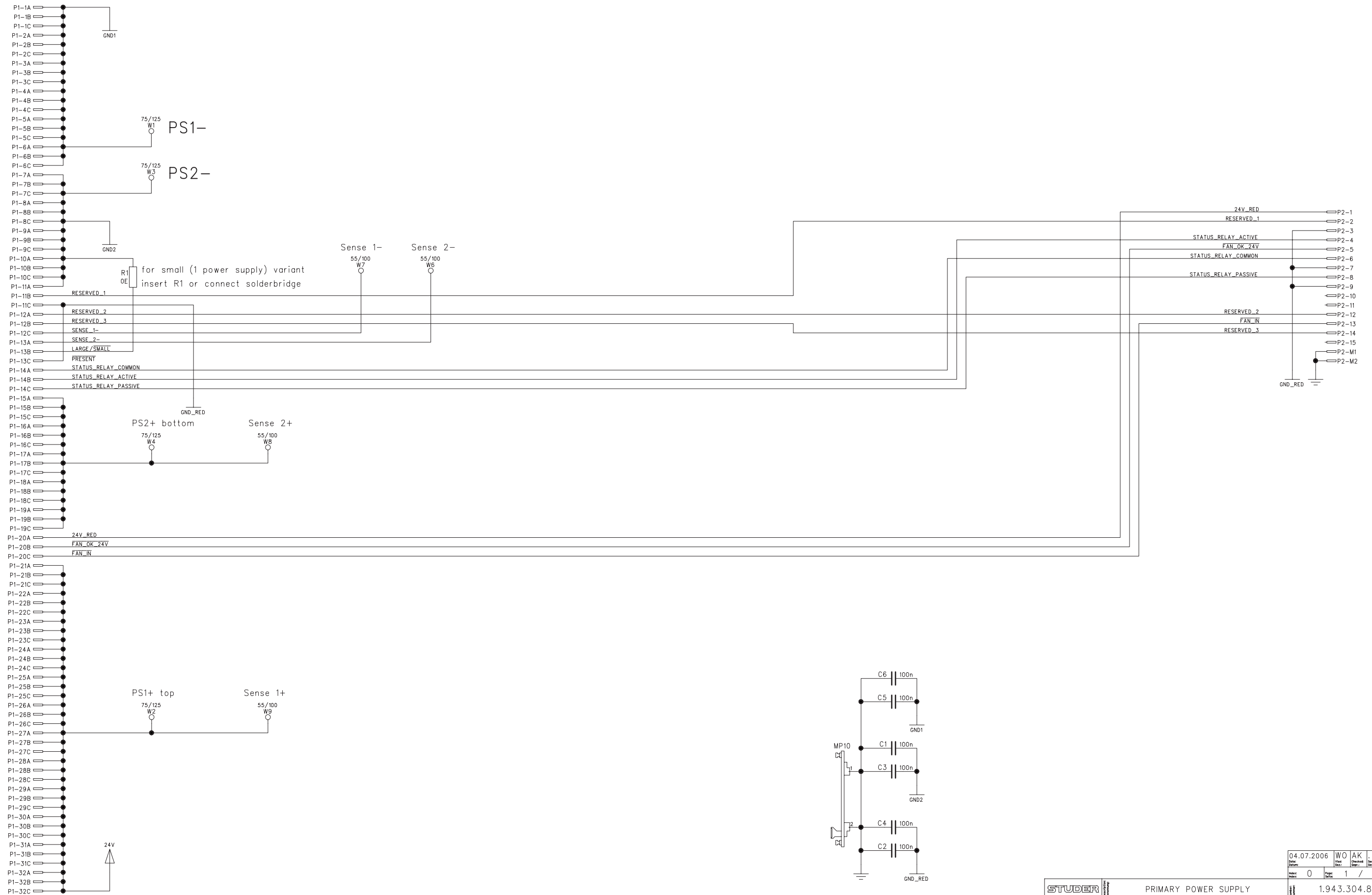
Dual Merger Card, RJ45 1.949.440.21 (0)

Idx. Pos.	Part No.	Qty.	Type/Val.	Description	Idx. Pos.	Part No.	Qty.	Type/Val.	Description
0 R 69	57.69.1097	1	pce 10k	CF 5% 0603	0 R 172	not used	1	pce 33R	CF 5% 0603
0 R 70	57.69.1097	1	pce 10k	CF 5% 0603	0 R 173	57.69.1037	1	pce 33R	CF 5% 0603
0 R 71	57.69.1097	1	pce 10k	CF 5% 0603	0 R 174	57.69.1097	1	pce 10k	CF 5% 0603
0 R 72	57.69.1097	1	pce 10k	CF 5% 0603	0 R 175	57.69.1037	1	pce 33R	CF 5% 0603
0 R 73	57.69.1097	1	pce 10k	CF 5% 0603	0 R 176	57.60.1152	1	pce 1k5	MF, 1%, 0204, E24
0 R 74	57.69.1097	1	pce 10k	CF 5% 0603	0 R 177	not used	1	pce 33R	CF 5% 0603
0 R 75	57.69.1097	1	pce 10k	CF 5% 0603	0 R 178	57.69.1097	1	pce 10k	CF 5% 0603
0 R 76	57.60.1682	1	pce 6k8	MF, 1%, 0204, E24	0 R 179	57.69.1097	1	pce 10k	CF 5% 0603
0 R 77	57.60.1153	1	pce 15k	MF, 1%, 0204, E24	0 R 180	57.69.1097	1	pce 10k	CF 5% 0603
0 R 78	57.69.1097	1	pce 10k	CF 5% 0603	0 R 181	57.69.1097	1	pce 10k	CF 5% 0603
0 R 79	57.69.1097	1	pce 10k	CF 5% 0603	0 R 182	57.69.1097	1	pce 10k	CF 5% 0603
0 R 80	57.69.1097	1	pce 10k	CF 5% 0603	0 R 183	57.69.1097	1	pce 10k	CF 5% 0603
0 R 81	57.69.1097	1	pce 10k	CF 5% 0603	0 R 184	57.69.1097	1	pce 10k	CF 5% 0603
0 R 82	57.60.1682	1	pce 6k8	MF, 1%, 0204, E24	0 R 185	57.69.1097	1	pce 10k	CF 5% 0603
0 R 83	57.60.1153	1	pce 15k	MF, 1%, 0204, E24	0 R 186	57.69.1097	1	pce 10k	CF 5% 0603
0 R 84	57.69.1097	1	pce 10k	CF 5% 0603	0 R 187	57.69.1097	1	pce 10k	CF 5% 0603
0 R 85	57.69.1097	1	pce 10k	CF 5% 0603	0 R 188	57.69.1097	1	pce 10k	CF 5% 0603
0 R 86	57.69.1097	1	pce 10k	CF 5% 0603	0 R 189	57.69.1037	1	pce 33R	CF 5% 0603
0 R 87	57.69.1037	1	pce 33R	CF 5% 0603	0 R 190	57.69.1037	1	pce 33R	CF 5% 0603
0 R 88	57.69.1037	1	pce 33R	CF 5% 0603	0 R 191	57.69.1097	1	pce 10k	CF 5% 0603
0 R 89	57.69.1097	1	pce 10k	CF 5% 0603	0 R 192	57.69.1097	1	pce 10k	CF 5% 0603
0 R 90	57.69.1097	1	pce 10k	CF 5% 0603	0 R 193	57.69.1097	1	pce 10k	CF 5% 0603
0 R 91	57.60.1682	1	pce 6k8	MF, 1%, 0204, E24	0 R 194	57.69.1097	1	pce 10k	CF 5% 0603
0 R 92	57.60.1153	1	pce 15k	MF, 1%, 0204, E24	0 R 195	57.60.1224	1	pce 220k	MF, 1%, 0204, E24
0 R 93	57.69.1097	1	pce 10k	CF 5% 0603	0 R 196	57.60.1203	1	pce 20k	MF, 1%, 0204, E24
0 R 94	57.69.1097	1	pce 10k	CF 5% 0603	0 R 197	57.60.1152	1	pce 1k5	MF, 1%, 0204, E24
0 R 95	57.69.1097	1	pce 10k	CF 5% 0603	0 R 198	57.60.1221	1	pce 220R	MF, 1%, 0204, E24
0 R 96	57.69.1037	1	pce 33R	CF 5% 0603	0 R 199	57.69.1097	1	pce 10k	CF 5% 0603
0 R 97	57.69.1097	1	pce 10k	CF 5% 0603	0 R 200	57.69.1097	1	pce 10k	CF 5% 0603
0 R 98	57.69.1097	1	pce 10k	CF 5% 0603	0 R 201	57.69.1097	1	pce 10k	CF 5% 0603
0 R 99	57.69.1097	1	pce 10k	CF 5% 0603	0 R 202	57.69.1097	1	pce 10k	CF 5% 0603
0 R 100	57.69.1097	1	pce 10k	CF 5% 0603	0 R 203	57.69.1037	1	pce 33R	CF 5% 0603
0 R 101	57.60.1152	1	pce 1k5	MF, 1%, 0204, E24	0 R 204	57.69.1037	1	pce 33R	CF 5% 0603
0 R 102	57.69.1097	1	pce 10k	CF 5% 0603	0 R 205	57.69.8302	1	pce 0.2A	PTC
0 R 103	57.69.1097	1	pce 10k	CF 5% 0603	0 R 206	57.60.1152	1	pce 1k5	MF, 1%, 0204, E24
0 R 104	57.69.1037	1	pce 33R	CF 5% 0603	0 R 207	57.69.8302	1	pce 0.2A	PTC
0 R 105	57.69.1097	1	pce 10k	CF 5% 0603	0 R 208	57.60.2010	1	pce R010	WW, 5%, 3 W
0 R 106	57.69.1097	1	pce 10k	CF 5% 0603	0 R 209	57.69.8302	1	pce 0.2A	PTC
0 R 107	57.60.1682	1	pce 6k8	MF, 1%, 0204, E24	0 R 210	57.69.8302	1	pce 0.2A	PTC
0 R 108	57.60.1153	1	pce 15k	MF, 1%, 0204, E24	0 R 211	57.60.1221	1	pce 220R	MF, 1%, 0204, E24
0 R 109	57.69.1097	1	pce 10k	CF 5% 0603	0 R 212	57.60.1394	1	pce 390k	MF, 1%, 0204, E24
0 R 110	57.69.1097	1	pce 10k	CF 5% 0603	0 R 213	57.69.8302	1	pce 0.2A	PTC
0 R 111	57.69.1037	1	pce 33R	CF 5% 0603	0 R 214	57.69.8302	1	pce 0.2A	PTC
0 R 112	57.60.1221	1	pce 220R	MF, 1%, 0204, E24	0 R 215	57.69.1097	1	pce 10k	CF 5% 0603
0 R 113	57.69.1097	1	pce 10k	CF 5% 0603	0 R 216	57.69.8302	1	pce 0.2A	PTC
0 R 114	57.69.1097	1	pce 10k	CF 5% 0603	0 R 217	57.69.1097	1	pce 10k	CF 5% 0603
0 R 115	57.69.1037	1	pce 33R	CF 5% 0603	0 S 1	55.60.0108	1	pce 8p	SMD DIL-Switch
0 R 116	57.60.1152	1	pce 1k5	MF, 1%, 0204, E24	0 S 2	55.60.0108	1	pce 8p	SMD DIL-Switch
0 R 117	57.69.1097	1	pce 10k	CF 5% 0603	0 TP 1	not used	1	pce 1p	PCB-Flachst 2.8*0.8, gerade
0 R 118	57.69.1097	1	pce 10k	CF 5% 0603	0 XIC 9	53.60.0244	1	pce 44p	PLCC, SMD
0 R 119	57.69.1073	1	pce 1k0	CF 5% 0603	0 XIC 10	53.60.0244	1	pce 44p	PLCC, SMD
0 R 120	57.69.1097	1	pce 10k	CF 5% 0603	0 XIC 13	53.60.0244	1	pce 44p	PLCC, SMD
0 R 121	57.69.1097	1	pce 10k	CF 5% 0603	0 XIC 17	53.60.0244	1	pce 44p	PLCC, SMD
0 R 122	57.60.1101	1	pce 100R	MF, 1%, 0204, E24	0 Y 1	89.60.1008	1	pce 3.6864MHz	SMD Quartz 3.6864 MHz
0 R 123	57.60.1105	1	pce 1M0	MF, 1%, 0204, E24	0 Y 2	89.60.1004	1	pce 22.1184MHz	SMD Quartz
0 R 124	57.69.1037	1	pce 33R	CF 5% 0603					
0 R 125	57.69.1097	1	pce 10k	CF 5% 0603					
0 R 126	57.69.1097	1	pce 10k	CF 5% 0603					
0 R 127	57.69.1097	1	pce 10k	CF 5% 0603					
0 R 128	57.69.1097	1	pce 10k	CF 5% 0603					
0 R 129	57.69.1097	1	pce 10k	CF 5% 0603					
0 R 130	57.69.1097	1	pce 10k	CF 5% 0603					
0 R 131	57.69.1097	1	pce 10k	CF 5% 0603					
0 R 132	57.69.1097	1	pce 10k	CF 5% 0603					
0 R 133	57.69.1037	1	pce 33R	CF 5% 0603					
0 R 134	57.69.1037	1	pce 33R	CF 5% 0603					
0 R 135	57.69.1097	1	pce 10k	CF 5% 0603					
0 R 136	57.69.1097	1	pce 10k	CF 5% 0603					
0 R 137	57.69.1097	1	pce 10k	CF 5% 0603					
0 R 138	57.69.1097	1	pce 10k	CF 5% 0603					
0 R 139	57.69.1097	1	pce 10k	CF 5% 0603					
0 R 140	57.69.1097	1	pce 10k	CF 5% 0603					
0 R 141	57.69.1097	1	pce 10k	CF 5% 0603					
0 R 142	57.69.1097	1	pce 10k	CF 5% 0603					
0 R 143	57.60.1332	1	pce 3k3	MF, 1%, 0204, E24					
0 R 144	57.69.1097	1	pce 10k	CF 5% 0603					
0 R 145	57.69.1097	1	pce 10k	CF 5% 0603					
0 R 146	57.69.1097	1	pce 10k	CF 5% 0603					
0 R 147	57.69.1097	1	pce 10k	CF 5% 0603					
0 R 148	57.69.1037	1	pce 33R	CF 5% 0603					
0 R 149	57.69.1037	1	pce 33R	CF 5% 0603					
0 R 150	not used	1	pce 33R	CF 5% 0603					
0 R 151	57.60.1101	1	pce 100R	MF, 1%, 0204, E24					
0 R 152	57.69.1097	1	pce 10k	CF 5% 0603					
0 R 153	57.69.1097	1	pce 10k	CF 5% 0603					
0 R 154	57.69.1097	1	pce 10k	CF 5% 0603					
0 R 155	57.69.1097	1	pce 10k	CF 5% 0603					
0 R 156	57.69.1097	1	pce 10k	CF 5% 0603					
0 R 157	57.69.1097	1	pce 10k	CF 5% 0603					
0 R 158	57.69.1097	1	pce 10k	CF 5% 0603					
0 R 159	57.69.1097	1	pce 10k	CF 5% 0603					
0 R 160	57.69.1097	1	pce 10k	CF 5% 0603					
0 R 161	57.69.1097	1	pce 10k	CF 5% 0603					
0 R 162	57.69.1097	1	pce 10k	CF 5% 0603					
0 R 163	57.69.1097	1	pce 10k	CF 5% 0603					
0 R 164	57.69.1097	1	pce 10k	CF 5% 0603					
0 R 165	57.69.1097	1	pce 10k	CF 5% 0603					
0 R 166	57.69.1097	1	pce 10k	CF 5% 0603					
0 R 167	57.69.1097	1	pce 10k	CF 5% 0603					
0 R 168	57.60.1105	1	pce 1M0	MF, 1%, 0204, E24					
0 R 169	57.60.1152	1	pce 1k5	MF, 1%, 0204, E24					
0 R 170	not used	1	pce 10k	CF 5% 0603					
0 R 171	57.60.1221	1	pce 220R	MF, 1%, 0204, E24					

End of List

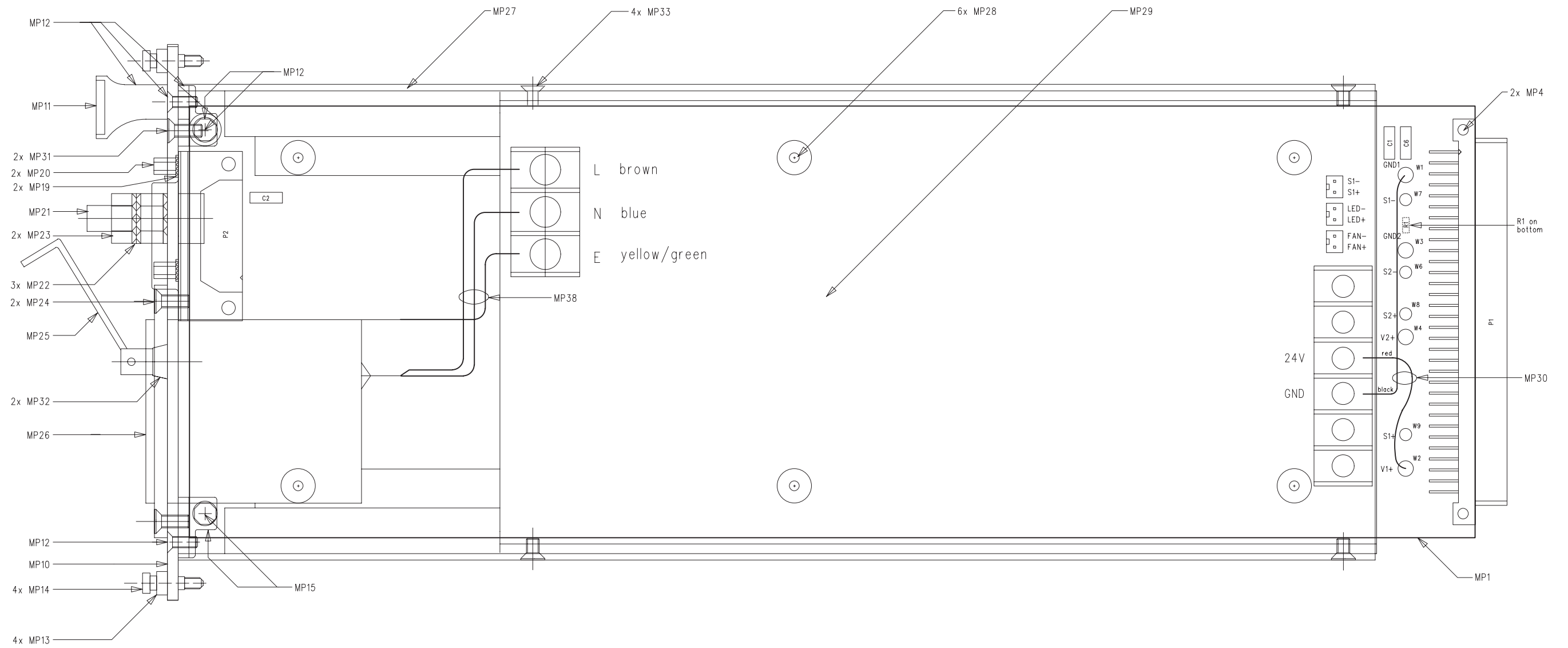
Comments:

Primary Power Supply (Int. Frame) 1.949.404.00 (0)



Date	04.07.2006	WO	AK
Page	0	1	1
Page	0	1	1
Page	0	1	1

Primary Power Supply (Int. Frame) 1.949.404.00 (0)



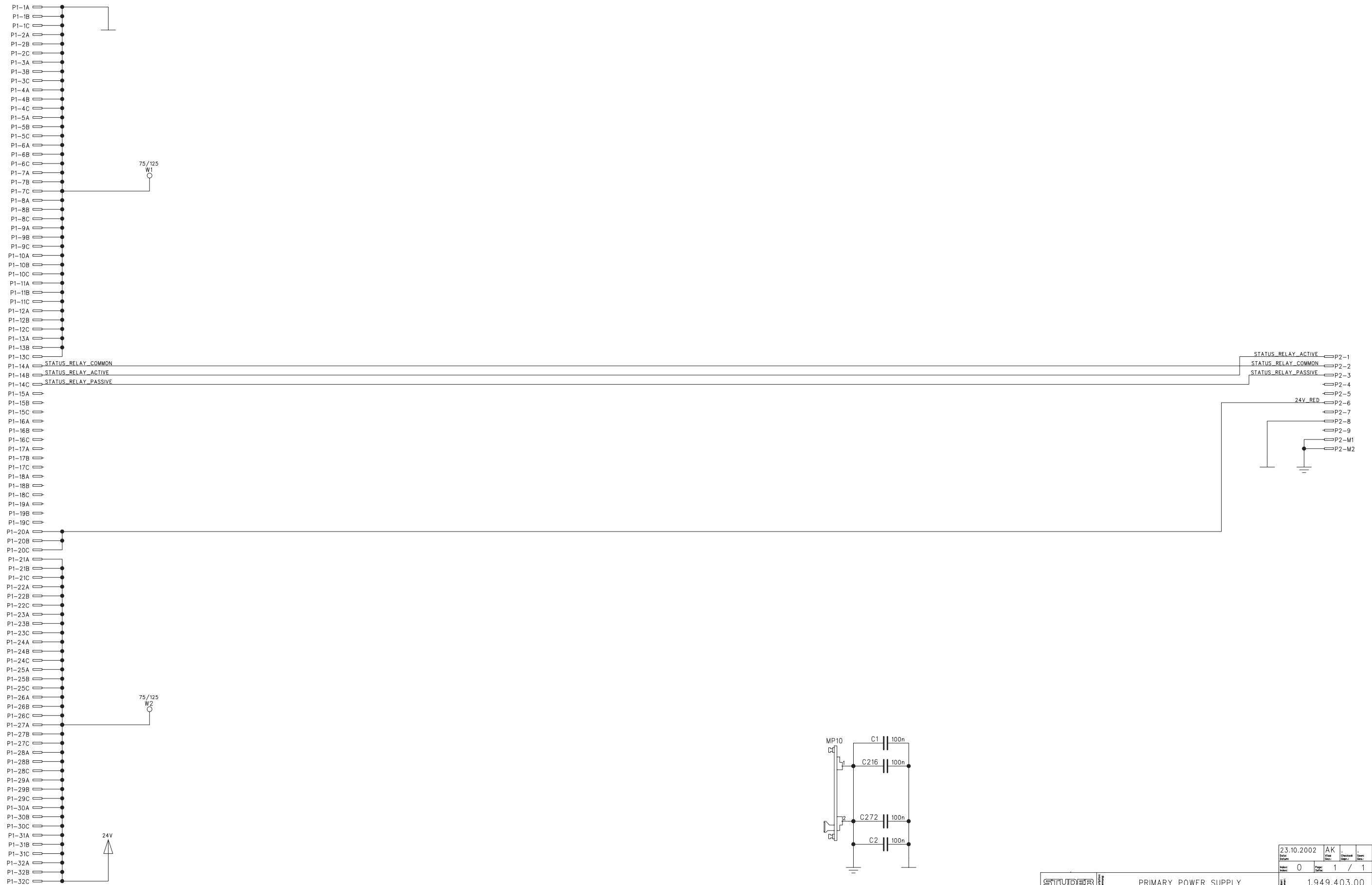
Primary Power Supply DB15 1.949.404.00 (0)

Idx. Pos.	Part No.	Qty.	Type/Val.	Description	Idx. Pos.	Part No.	Qty.	Type/Val.	Description
0 C 1	59.06.0104	1 pce	100n	PETP, 63V, 10%, RM5					
0 C 2	59.06.0104	1 pce	100n	PETP, 63V, 10%, RM5					
0 C 3	not used	1 pce	100n	CER 50V, 10%, X7R, 0805					
0 C 4	not used	1 pce	100n	CER 50V, 10%, X7R, 0805					
0 C 5	not used	1 pce	100n	CER 50V, 10%, X7R, 0805					
0 C 6	59.06.0104	1 pce	100n	PETP, 63V, 10%, RM5					
0 MP 1	1.943.304.12	1 pce		PRIMARY POWER SUPPLY DB15 PC					
0 MP 2	1.949.404.10	1 pce		Nr. ETIKETTE 5x20					
0 MP 4	28.99.0119	2 pcs		ROHRNIETE D 2.5*0.15* 9					
0 MP 10	1.949.404.01	1 pce		FRONTPLATTE PRIMARY PSU DB15					
0 MP 11	1.940.600.05	1 pce		GRIFFEINLAGE 4TE					
0 MP 12	49.02.0514	1 pce	4TE	Frontplatten-Griffsatz					
0 MP 13	49.02.0521	4 pcs		Metall-Buchse (Rack)					
0 MP 14	49.02.0524	4 pcs	M2.5*12	Schraube spezial					
0 MP 15	49.02.0522	1 pce		Kartenhalter mit Z-Schr					
0 MP 19	24.16.2030	2 pcs	3.2/6.0	Fächerscheibe Form A					
0 MP 20	54.13.0081	2 pcs	4.85mm	Bolzen UNC 4-40					
0 MP 21	21.53.0560	1 pce	M6*20	Z-Schraube Inbus Zn bl chr					
0 MP 22	24.16.2060	3 pcs	6.4/11	Fächerscheibe Form A					
0 MP 23	22.01.8060	2 pcs	M6	6kt-Mutter 0.5d St Zn bl					
0 MP 24	21.99.0175	2 pcs	M3*6	S-Schraube IS A2 sw oxydiert					
0 MP 25	54.42.1059	1 pce		Sicherungsbügel f Kabelstecker					
0 MP 26	89.01.4005	1 pce	6A	Netzstecker, -Filter, Schalter					
0 MP 27	1.949.403.02	1 pce		NETZTEIL ABDECKUNG					
0 MP 28	21.53.9354	6 pcs	M3*6	Z-Schraube Inbus-Ripp Zn bl ch					
0 MP 29	89.20.2015	1 pce	24V/8.5A	Power Supply					
0 MP 30	1.949.403.93	1 pce		LL Power Supply					
0 MP 31	49.02.0523	2 pcs	M2.5*7	Senk-Schr, KS, Senkripp					
0 MP 32	1.010.001.23	2 pcs		SENK-U-SCHEIBE, M3, M'CR					
0 MP 33	89.20.2018	4 pcs	UNC6-32*6mm	Senk-Schr KS					
0 MP 38	1.949.403.95	1 pce		LL Power Supply ext.					
0 MP 101	1.949.404.70	1 pce		PRIMARY POWER SUPPLY DB15 PA					
0 P 1	54.11.2009	1 pce	96p	EU-R 3*32p female					
0 P 2	54.13.0072	1 pce	15p	D-Sub, PCB, Winkel					
0 R 1	57.60.1000	1 pce	0R0	MF, 0204					

End of List

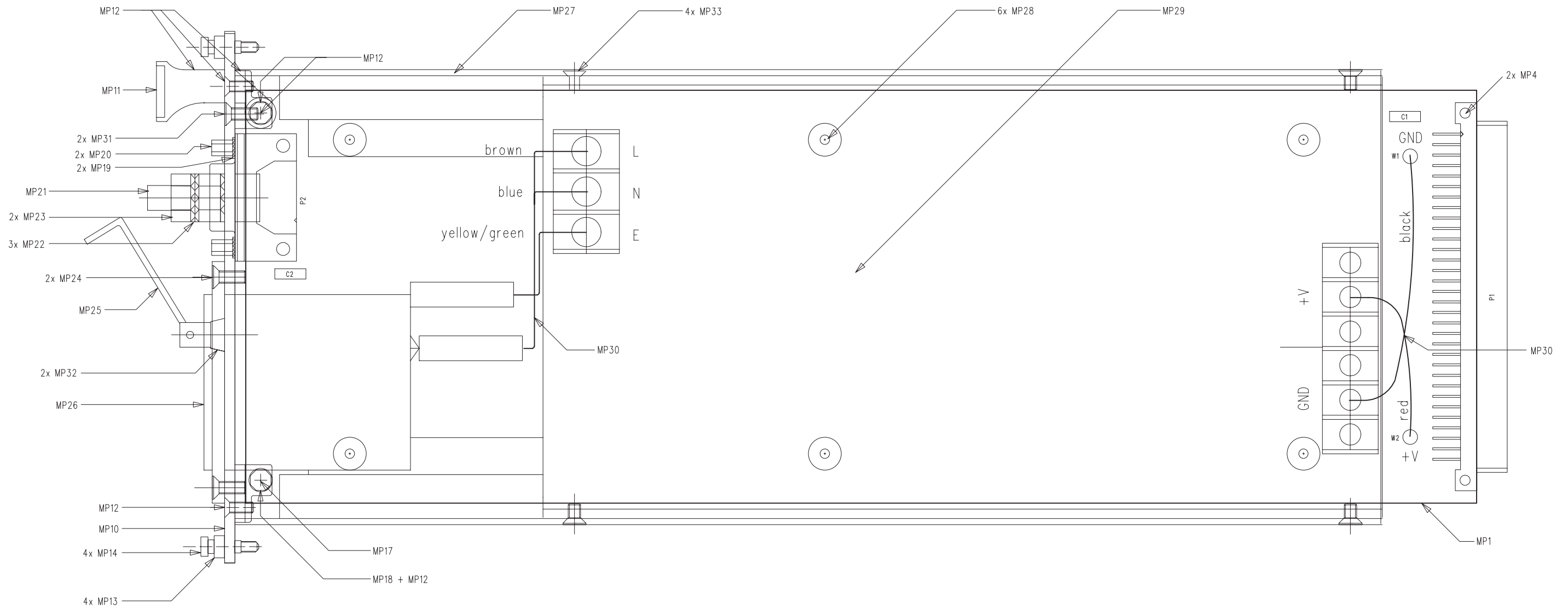
Comments:

Primary Power Supply (Ext. Frame) 1.949.403.00 (2)



23.10.2002	AK	.	.
0	1	1	1

Primary Power Supply (Ext. Frame) 1.949.403.00 (2)



24.10.2003	ZT	SW	HW
1	1	1	1

Ext. Frame Prim. Power Supply 1.949.403.00 (2)

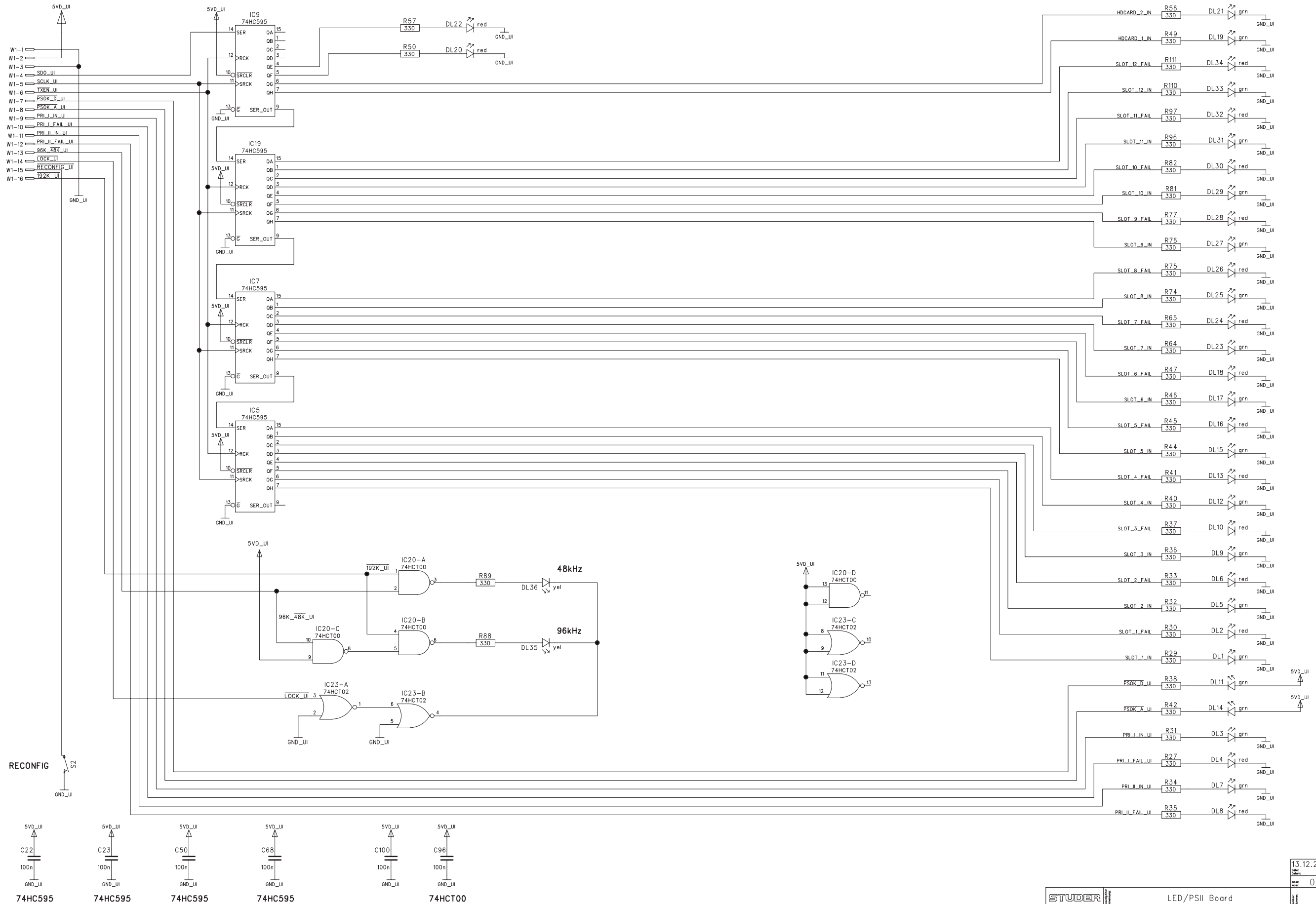
Idx. Pos.	Part No.	Qty.	Type/Val.	Description	Idx. Pos.	Part No.	Qty.	Type/Val.	Description
0	C 1	59.06.0104	1 pce	100n					PETP, 63V, 10%, RM5
0	C 2	59.06.0104	1 pce	100n					PETP, 63V, 10%, RM5
2	MP 1	1.949.403.12	1 pce						Primary Power Supply PCB
0	MP 2	1.949.403.10	1 pce						Nr. ETIKETTE 5x20
0	MP 4	28.99.0119	2 pcs						ROHRNIETE D 2.5*0.15* 9
2	MP 9	49.02.0522	1 pce						Kartenhalter mit Z-Schr
0	MP 10	1.949.403.01	1 pce						FRONTPLATTE PRIMARY PSU
0	MP 11	1.940.600.05	1 pce						GRIFFEINLAGE 4TE
0	MP 12	49.02.0514	1 pce	4TE					Frontplatten-Griffsatz
0	MP 13	49.02.0521	4 pcs						Metall-Buchse (Rack)
0	MP 14	49.02.0524	4 pcs	M2.5*12					Schraube spezial
2	MP 17	not used	0	M2.5*12					Z - Schraube Zn bl chr
2	MP 18	24.16.2025	2 pcs	2.7/5.5					Fächerscheibe Form A
0	MP 19	24.16.2030	2 pcs	3.2/6.0					Fächerscheibe Form A
0	MP 20	54.13.0081	2 pcs	4.85mm					Bolzen UNC 4-40
2	MP 21	21.53.0560	1 pce	M6*20					Z-Schraube Inbus Zn bl chr
0	MP 22	24.16.2060	3 pcs	6.4/11					Fächerscheibe Form A
0	MP 23	22.01.8060	2 pcs	M6					6kt-Mutter 0.5d St Zn bl
0	MP 24	21.99.0175	2 pcs	M3*6					S-Schraube IS A2 sw oxydiert
0	MP 25	54.42.1059	1 pce						Sicherungsbügel f Kabelstecker
0	MP 26	89.01.4005	1 pce	6A					Netzstecker, -Filter, Schalter
0	MP 27	1.949.403.02	1 pce						NETZTEIL ABDECKUNG
0	MP 28	21.53.9354	6 pcs	M3*6					Z-Schraube Inbus-Ripp Zn bl ch
0	MP 29	89.20.2015	1 pce	24V/8.5A					Power Supply
0	MP 30	1.949.403.93	1 pce						LL Power Supply
0	MP 31	49.02.0523	2 pcs	M2.5*7					Senk-Schr, KS, Senkripp
1	MP 32	1.010.001.23	2 pcs						SENK-U-SCHEIBE, M3, M'CR
1	MP 33	89.20.2018	4 pcs	UNC6-32*6mm					Senk-Schr KS
2	MP 34	1.949.403.95	1 pce						LL Power Supply ext.
0	P 1	54.11.2009	1 pce	96p					EU-R 3*32p
0	P 2	54.13.0071	1 pce	9p					D-Sub, PCB, Winkel

End of List

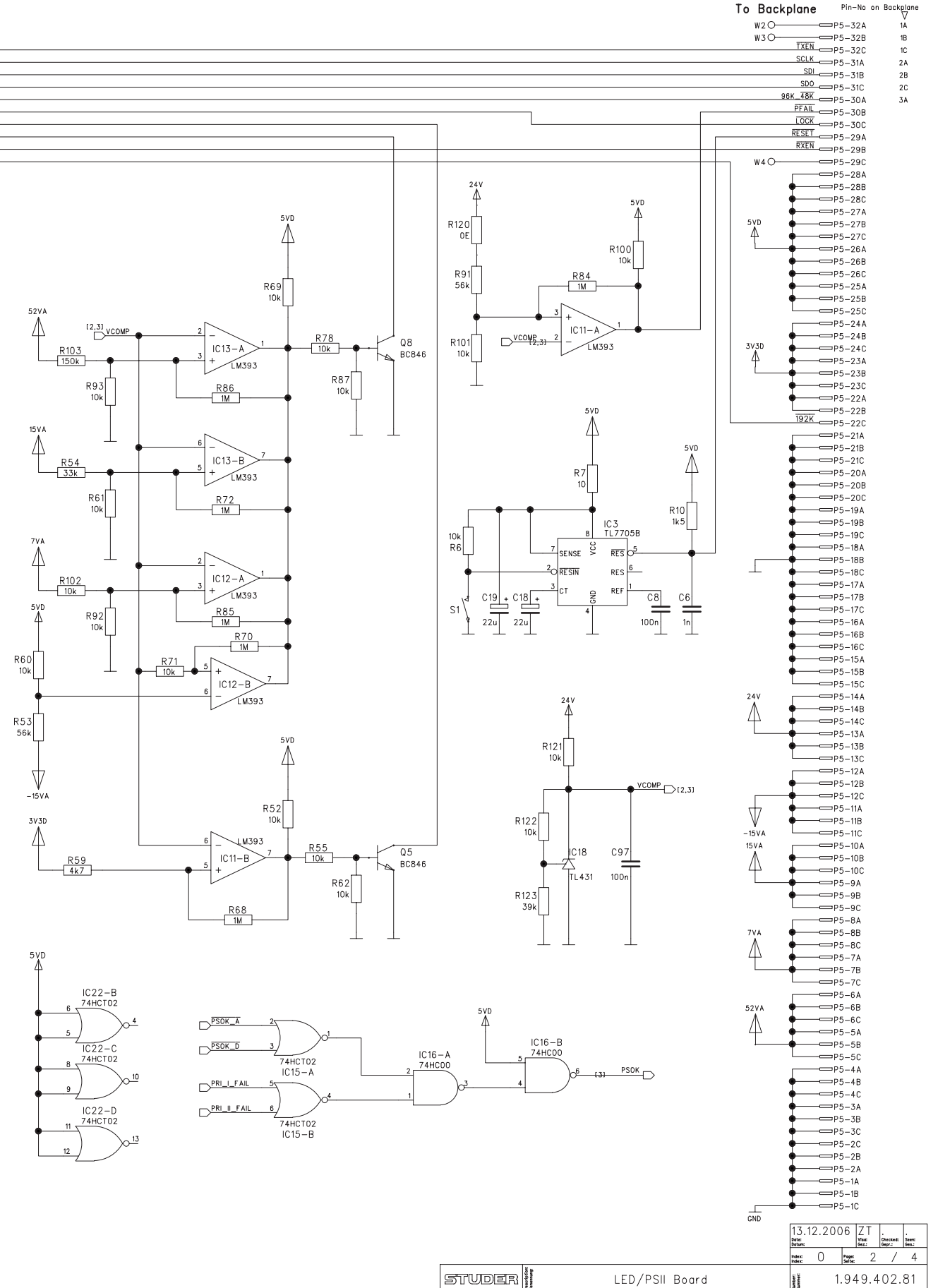
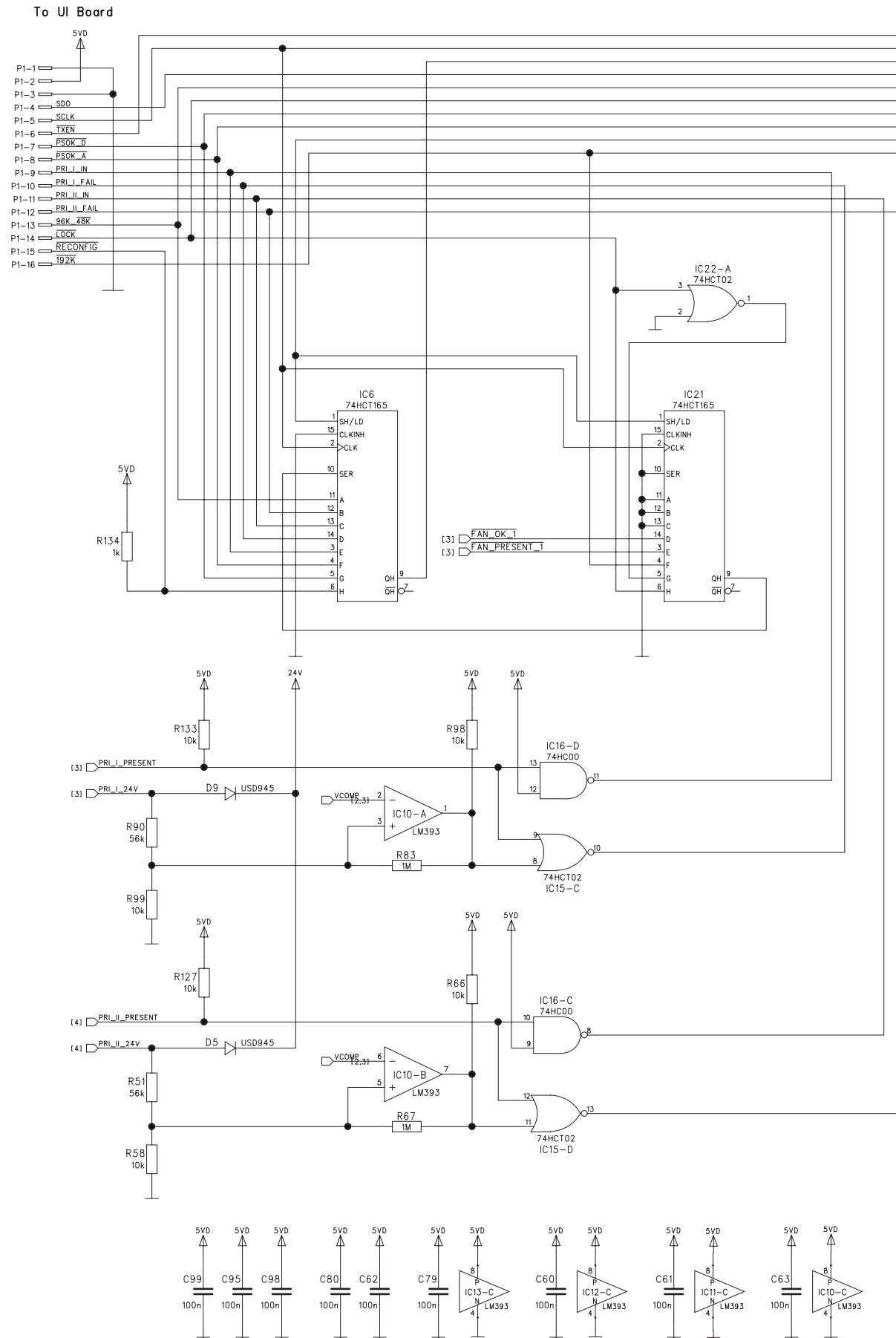
Comments:

- (01) Additional hardware included
- (02) PCB modification, MP9:added; MP17: not used; MP18:1pce->2pcs
MP21:21.53.9560->21.53.0560; MP34:added;

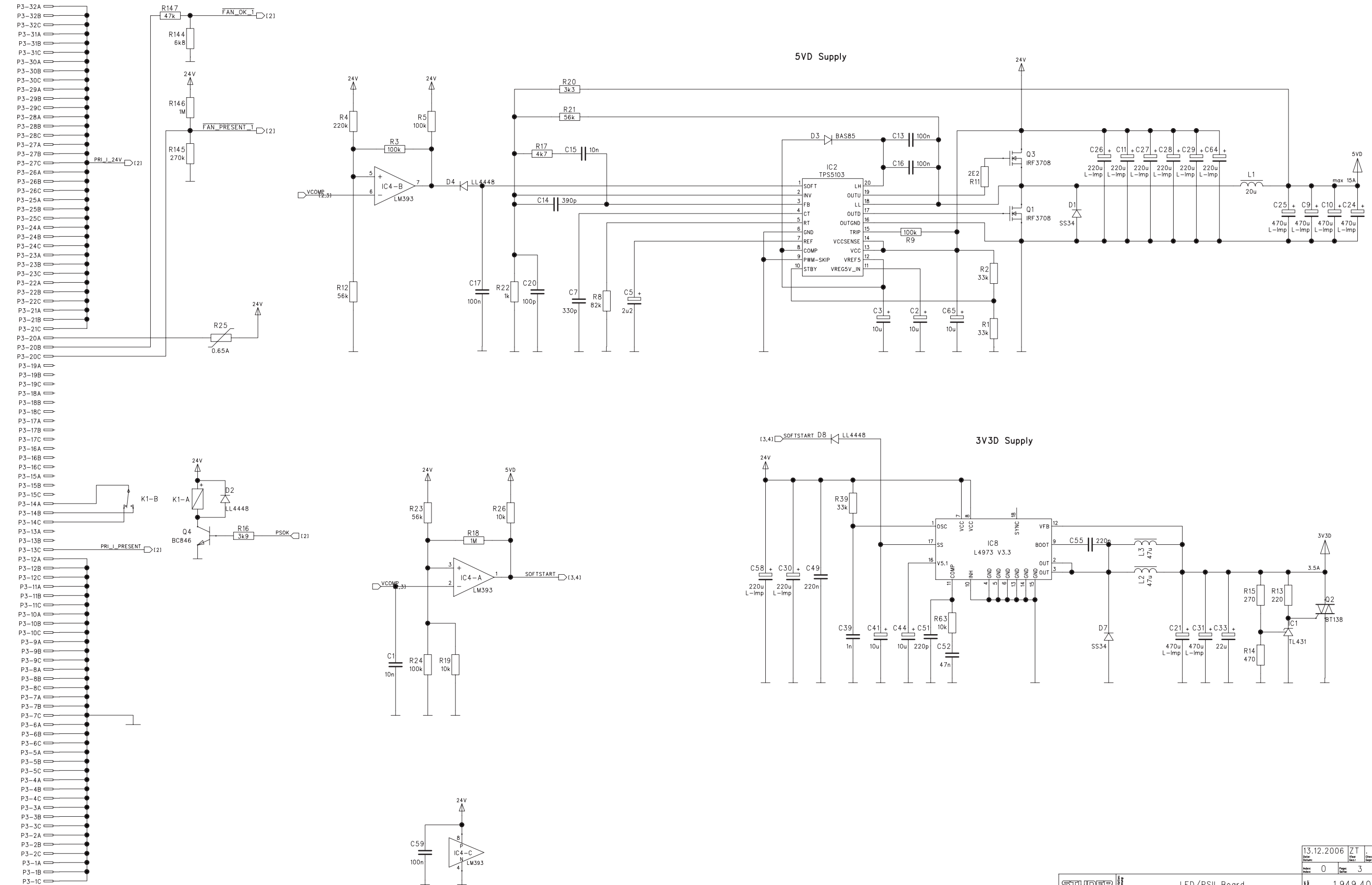
LED/PSII Board (Ext. Frame) 1.949.402.81 (0)



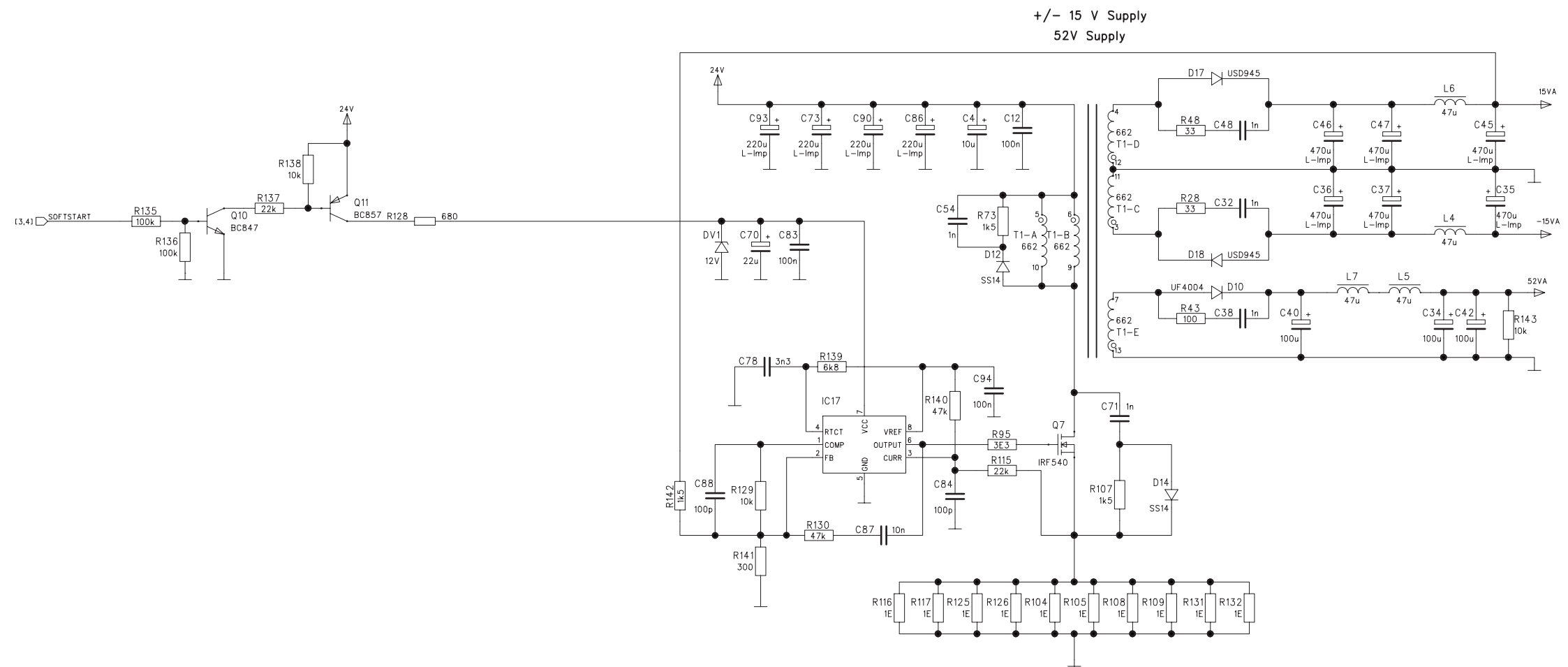
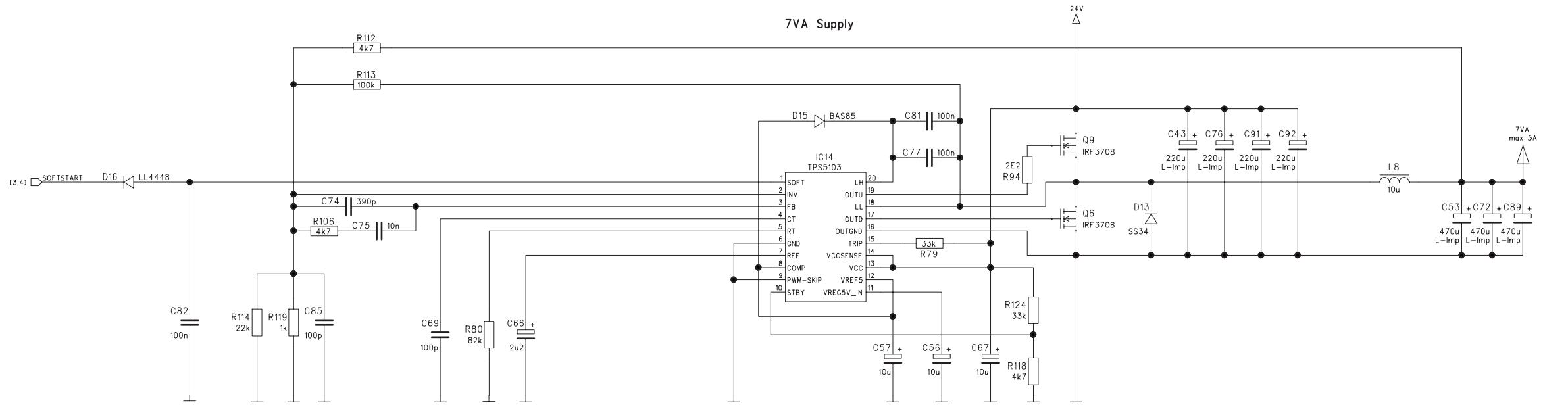
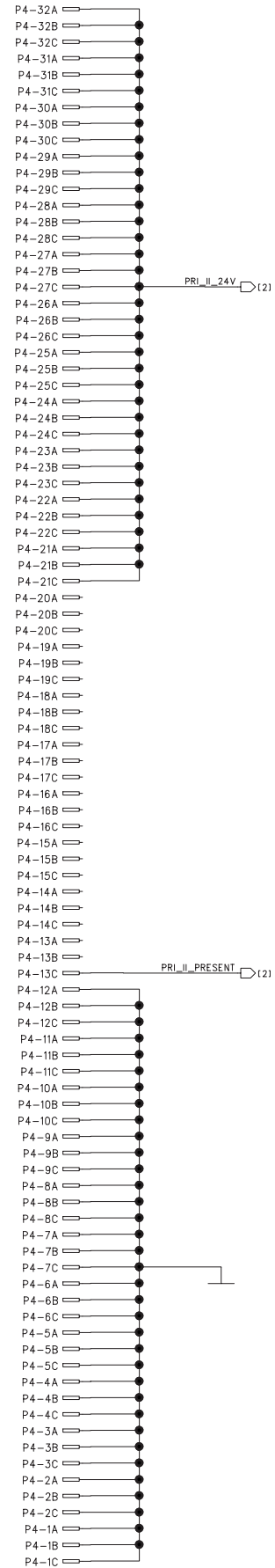
Date printed: 03.10.07



LED/PSII Board (Ext. Frame) 1.949.402.81 (0)

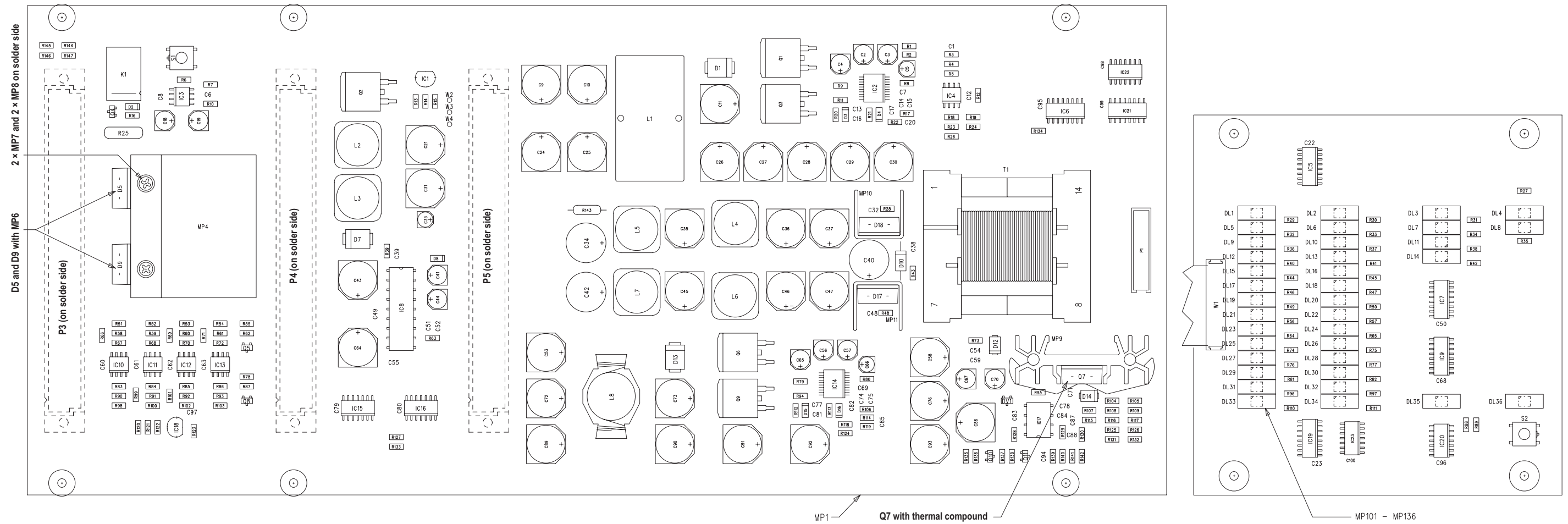


Date:	13.12.2006	ZT	
Index:	0	Page:	3 / 4
Index:		Page:	
Index:		Page:	



13.12.2006	ZT		
0	4	4	

LED/PSII Board (Ext. Frame) 1.949.402.81 (0)



LED/PSII PCB 1.949.402.81 (0)

Idx. Pos.	Part No.	Qty.	Type/Val.	Description	Idx. Pos.	Part No.	Qty.	Type/Val.	Description
0 C 1	not used	1 pce	10n	CER 50V, 10%, X7R, 0805	0 D 2	50.60.8001	1 pce	4448	200mA 75V 4ns SOD 80
0 C 2	59.68.0109	1 pce	10u	EL 35V, 5.0*5.7	0 D 3	50.60.8101	1 pce	BAS85	200mA 30V Schottky SOD 80
0 C 3	59.68.0109	1 pce	10u	EL 35V, 5.0*5.7	0 D 4	50.60.8001	1 pce	4448	200mA 75V 4ns SOD 80
0 C 4	59.68.0109	1 pce	10u	EL 35V, 5.0*5.7	0 D 5	50.04.0516	1 pce	USD945	Schottky Rect 16A, 45V
0 C 5	59.68.0129	1 pce	2u2	EL 50V, 4.0*5.7	0 D 6	not used	1 pce	SS34	3A 40V Schottky
0 C 6	59.60.2373	1 pce	1n0	CER 50V, 5%, COG, 0805	0 D 7	50.60.8102	1 pce	SS34	3A 40V Schottky
0 C 7	59.60.2361	1 pce	330p	CER 50V, 5%, COG, 0805	0 D 8	50.60.8001	1 pce	4448	200mA 75V 4ns SOD 80
0 C 8	59.60.3337	1 pce	100n	CER 50V, 10%, X7R, 0805	0 D 9	50.04.0516	1 pce	USD945	Schottky Rect 16A, 45V
0 C 9	59.68.0275	1 pce	470u	EL 16V, 10 *10.7 lowESR	0 D 10	50.04.0138	1 pce	UF4004	D BYT 01-400, UF 4004
0 C 10	59.68.0275	1 pce	470u	EL 16V, 10 *10.7 lowESR	0 D 11	not used	1 pce	SS34	3A 40V Schottky
0 C 11	59.68.0317	1 pce	220u	EL 35V, 10 *10.7 lowESR	0 D 12	50.60.8103	1 pce	SS14	1A 40V Schottky
0 C 12	59.60.3337	1 pce	100n	CER 50V, 10%, X7R, 0805	0 D 13	50.60.8102	1 pce	SS34	3A 40V Schottky
0 C 13	59.60.3337	1 pce	100n	CER 50V, 10%, X7R, 0805	0 D 14	50.60.8103	1 pce	SS14	1A 40V Schottky
0 C 14	59.60.2363	1 pce	390p	CER 50V, 5%, COG, 0805	0 D 15	50.60.8101	1 pce	BAS85	200mA 30V Schottky SOD 80
0 C 15	59.60.3325	1 pce	10n	CER 50V, 10%, X7R, 0805	0 D 16	50.60.8001	1 pce	4448	200mA 75V 4ns SOD 80
0 C 16	59.60.3337	1 pce	100n	CER 50V, 10%, X7R, 0805	0 D 17	50.04.0516	1 pce	USD945	Schottky Rect 16A, 45V
0 C 17	59.60.3337	1 pce	100n	CER 50V, 10%, X7R, 0805	0 D 18	50.04.0516	1 pce	USD945	Schottky Rect 16A, 45V
0 C 18	59.68.0067	1 pce	22u	EL 16V, 5.0*5.7	0 DL 1	50.60.9414	1 pce	gm	SMD LED 2.7*3.5
0 C 19	59.68.0067	1 pce	22u	EL 16V, 5.0*5.7	0 DL 2	50.60.9412	1 pce	red	SMD LED 2.7*3.5
0 C 20	59.60.2249	1 pce	100p	CER 50V, 5%, COG, 0603	0 DL 3	50.60.9414	1 pce	gm	SMD LED 2.7*3.5
0 C 21	59.68.0275	1 pce	470u	EL 16V, 10 *10.7 lowESR	0 DL 4	50.60.9412	1 pce	red	SMD LED 2.7*3.5
0 C 22	59.60.3337	1 pce	100n	CER 50V, 10%, X7R, 0805	0 DL 5	50.60.9414	1 pce	gm	SMD LED 2.7*3.5
0 C 23	59.60.3337	1 pce	100n	CER 50V, 10%, X7R, 0805	0 DL 6	50.60.9412	1 pce	red	SMD LED 2.7*3.5
0 C 24	59.68.0275	1 pce	470u	EL 16V, 10 *10.7 lowESR	0 DL 7	50.60.9414	1 pce	gm	SMD LED 2.7*3.5
0 C 25	59.68.0275	1 pce	470u	EL 16V, 10 *10.7 lowESR	0 DL 8	50.60.9412	1 pce	red	SMD LED 2.7*3.5
0 C 26	59.68.0317	1 pce	220u	EL 35V, 10 *10.7 lowESR	0 DL 9	50.60.9414	1 pce	gm	SMD LED 2.7*3.5
0 C 27	59.68.0317	1 pce	220u	EL 35V, 10 *10.7 lowESR	0 DL 10	50.60.9412	1 pce	red	SMD LED 2.7*3.5
0 C 28	59.68.0317	1 pce	220u	EL 35V, 10 *10.7 lowESR	0 DL 11	50.60.9414	1 pce	gm	SMD LED 2.7*3.5
0 C 29	59.68.0317	1 pce	220u	EL 35V, 10 *10.7 lowESR	0 DL 12	50.60.9414	1 pce	gm	SMD LED 2.7*3.5
0 C 30	59.68.0317	1 pce	220u	EL 35V, 10 *10.7 lowESR	0 DL 13	50.60.9412	1 pce	red	SMD LED 2.7*3.5
0 C 31	59.68.0275	1 pce	470u	EL 16V, 10 *10.7 lowESR	0 DL 14	50.60.9414	1 pce	gm	SMD LED 2.7*3.5
0 C 32	59.60.2373	1 pce	1n0	CER 50V, 5%, COG, 0805	0 DL 15	50.60.9414	1 pce	gm	SMD LED 2.7*3.5
0 C 33	59.68.0025	1 pce	22u	EL 6V, 4.0*5.7	0 DL 16	50.60.9412	1 pce	red	SMD LED 2.7*3.5
0 C 34	59.22.8101	1 pce	100u	EL 63V 20% RM5	0 DL 17	50.60.9414	1 pce	gm	SMD LED 2.7*3.5
0 C 35	59.68.0275	1 pce	470u	EL 16V, 10 *10.7 lowESR	0 DL 18	50.60.9412	1 pce	red	SMD LED 2.7*3.5
0 C 36	59.68.0275	1 pce	470u	EL 16V, 10 *10.7 lowESR	0 DL 19	50.60.9414	1 pce	gm	SMD LED 2.7*3.5
0 C 37	59.68.0275	1 pce	470u	EL 16V, 10 *10.7 lowESR	0 DL 20	50.60.9412	1 pce	red	SMD LED 2.7*3.5
0 C 38	59.60.2373	1 pce	1n0	CER 50V, 5%, COG, 0805	0 DL 21	50.60.9414	1 pce	gm	SMD LED 2.7*3.5
0 C 39	59.60.2373	1 pce	1n0	CER 50V, 5%, COG, 0805	0 DL 22	50.60.9412	1 pce	red	SMD LED 2.7*3.5
0 C 40	59.22.8101	1 pce	100u	EL 63V 20% RM5	0 DL 23	50.60.9414	1 pce	gm	SMD LED 2.7*3.5
0 C 41	59.68.0109	1 pce	10u	EL 35V, 5.0*5.7	0 DL 24	50.60.9412	1 pce	red	SMD LED 2.7*3.5
0 C 42	59.22.8101	1 pce	100u	EL 63V 20% RM5	0 DL 25	50.60.9414	1 pce	gm	SMD LED 2.7*3.5
0 C 43	59.68.0317	1 pce	220u	EL 35V, 10 *10.7 lowESR	0 DL 26	50.60.9412	1 pce	red	SMD LED 2.7*3.5
0 C 44	59.68.0109	1 pce	10u	EL 35V, 5.0*5.7	0 DL 27	50.60.9414	1 pce	gm	SMD LED 2.7*3.5
0 C 45	59.68.0275	1 pce	470u	EL 16V, 10 *10.7 lowESR	0 DL 28	50.60.9412	1 pce	red	SMD LED 2.7*3.5
0 C 46	59.68.0275	1 pce	470u	EL 16V, 10 *10.7 lowESR	0 DL 29	50.60.9414	1 pce	gm	SMD LED 2.7*3.5
0 C 47	59.68.0275	1 pce	470u	EL 16V, 10 *10.7 lowESR	0 DL 30	50.60.9412	1 pce	red	SMD LED 2.7*3.5
0 C 48	59.60.2373	1 pce	1n0	CER 50V, 5%, COG, 0805	0 DL 31	50.60.9414	1 pce	gm	SMD LED 2.7*3.5
0 C 49	59.60.3441	1 pce	220n	CER 50V, 10%, X7R, 1206	0 DL 32	50.60.9412	1 pce	red	SMD LED 2.7*3.5
0 C 50	59.60.3337	1 pce	100n	CER 50V, 10%, X7R, 0805	0 DL 33	50.60.9414	1 pce	gm	SMD LED 2.7*3.5
0 C 51	59.60.2257	1 pce	220p	CER 50V, 5%, COG, 0603	0 DL 34	50.60.9412	1 pce	red	SMD LED 2.7*3.5
0 C 52	59.60.3333	1 pce	47n	CER 50V, 10%, X7R, 0805	0 DL 35	50.60.9413	1 pce	yel	SMD LED 2.7*3.5
0 C 53	59.68.0275	1 pce	470u	EL 16V, 10 *10.7 lowESR	0 DL 36	50.60.9413	1 pce	yel	SMD LED 2.7*3.5
0 C 54	59.60.2373	1 pce	1n0	CER 50V, 5%, COG, 0805	0 DV 1	50.60.9019	1 pce	12V	5%, 0.2W, SOT 23
0 C 55	59.60.3441	1 pce	220n	CER 50V, 10%, X7R, 1206	0 IC 1	50.10.0106	1 pce	TL431	Shunt regulator
0 C 56	59.68.0109	1 pce	10u	EL 35V, 5.0*5.7	0 IC 2	50.61.2004	1 pce	TPS 5103	Sync step down converter
0 C 57	59.68.0109	1 pce	10u	EL 35V, 5.0*5.7	0 IC 3	50.63.2001	1 pce	7705B	Reset Generator
0 C 58	59.68.0317	1 pce	220u	EL 35V, 10 *10.7 lowESR	0 IC 4	50.61.9001	1 pce	LM393	Dual voltage comp. SO 8
0 C 59	59.60.3337	1 pce	100n	CER 50V, 10%, X7R, 0805	0 IC 5	50.62.1595	1 pce	74HC595	8bit shift/output register
0 C 60	59.60.3337	1 pce	100n	CER 50V, 10%, X7R, 0805	0 IC 6	50.62.3165	1 pce	74HCT165	8bit parallel in/serial out
0 C 61	59.60.3337	1 pce	100n	CER 50V, 10%, X7R, 0805	0 IC 7	50.62.1595	1 pce	74HC595	8bit shift/output register
0 C 62	59.60.3337	1 pce	100n	CER 50V, 10%, X7R, 0805	0 IC 8	50.10.0127	1 pce	4973V3.3	Switching Reg 3.3V 3.5A
0 C 63	59.60.3337	1 pce	100n	CER 50V, 10%, X7R, 0805	0 IC 9	50.62.1595	1 pce	74HC595	8bit shift/output register
0 C 64	59.68.0317	1 pce	220u	EL 35V, 10 *10.7 lowESR	0 IC 10	50.61.9001	1 pce	LM393	Dual voltage comp. SO 8
0 C 65	59.68.0109	1 pce	10u	EL 35V, 5.0*5.7	0 IC 11	50.61.9001	1 pce	LM393	Dual voltage comp. SO 8
0 C 66	59.68.0129	1 pce	2u2	EL 50V, 4.0*5.7	0 IC 12	50.61.9001	1 pce	LM393	Dual voltage comp. SO 8
0 C 67	59.68.0109	1 pce	10u	EL 35V, 5.0*5.7	0 IC 13	50.61.9001	1 pce	LM393	Dual voltage comp. SO 8
0 C 68	59.60.3337	1 pce	100n	CER 50V, 10%, X7R, 0805	0 IC 14	50.61.2004	1 pce	TPS 5103	Sync step down converter
0 C 69	59.60.2349	1 pce	100p	CER 50V, 5%, COG, 0805	0 IC 15	50.62.3002	1 pce	74HCT 02	Quad 2input NOR
0 C 70	59.68.0067	1 pce	22u	EL 16V, 5.0*5.7	0 IC 16	50.62.1000	1 pce	74HC 00	Quad 2input NAND
0 C 71	59.60.2373	1 pce	1n0	CER 50V, 5%, COG, 0805	0 IC 17	50.10.0113	1 pce	3843	IC IP 3843 N
0 C 72	59.68.0275	1 pce	470u	EL 16V, 10 *10.7 lowESR	0 IC 18	50.10.0106	1 pce	TL431	Shunt regulator
0 C 73	59.68.0317	1 pce	220u	EL 35V, 10 *10.7 lowESR	0 IC 19	50.62.1595	1 pce	74HC595	8bit shift/output register
0 C 74	59.60.2363	1 pce	390p	CER 50V, 5%, COG, 0805	0 IC 20	50.62.3000	1 pce	74HCT 00	Quad 2input NAND
0 C 75	59.60.3325	1 pce	10n	CER 50V, 10%, X7R, 0805	0 IC 21	50.62.3165	1 pce	74HCT165	8bit parallel in/serial out
0 C 76	59.68.0317	1 pce	220u	EL 35V, 10 *10.7 lowESR	0 IC 22	50.62.3002	1 pce	74HCT 02	Quad 2input NOR
0 C 77	59.60.3337	1 pce	100n	CER 50V, 10%, X7R, 0805	0 IC 23	50.62.3002	1 pce	74HCT 02	Quad 2input NOR
0 C 78	59.60.3319	1 pce	3n3	CER 50V, 10%, X7R, 0805	0 K 1	56.04.0197	1 pce	2u	24V 125V 2A Ag/Au
0 C 79	59.60.3337	1 pce	100n	CER 50V, 10%, X7R, 0805	0 L 1	62.03.0053	1 pce	20uH	20A Toroid Chocke
0 C 80	59.60.3337	1 pce	100n	CER 50V, 10%, X7R, 0805	0 L 2	62.60.0518	1 pce	47uH	SMD 2.5A
0 C 81	59.60.3337	1 pce	100n	CER 50V, 10%, X7R, 0805	0 L 3	62.60.0518	1 pce	47uH	SMD 2.5A
0 C 82	59.60.3337	1 pce	100n	CER 50V, 10%, X7R, 0805	0 L 4	62.60.0518	1 pce	47uH	SMD 2.5A
0 C 83	59.60.3337	1 pce	100n	CER 50V, 10%, X7R, 0805	0 L 5	62.60.0518	1 pce	47uH	SMD 2.5A
0 C 84	59.60.2249	1 pce	100p	CER 50V, 5%, COG, 0603	0 L 6	62.60.0518	1 pce	47uH	SMD 2.5A
0 C 85	59.60.2249	1 pce	100p	CER 50V, 5%, COG, 0603	0 L 7	62.60.0518	1 pce	47uH	SMD 2.5A
0 C 86	59.68.0317	1 pce	220u	EL 35V, 10 *10.7 lowESR	0 L 8	62.60.0510	1 pce	10uH	SMD 6.5A 8860
0 C 87	59.60.3325	1 pce	10n	CER 50V, 10%, X7R, 0805	0 MP 1	1.949.402.14	1 pce		LED/PSII PCB
0 C 88	59.60.2349	1 pce	100p	CER 50V, 5%, COG, 0805	0 MP 2	1.949.402.10	1 pce		Nr. ETIKETTE 5x20
0 C 89	59.68.0275	1 pce	470u	EL 16V, 10 *10.7 lowESR	0 MP 3	43.01.0108	1 pce	Label	ESE-Warnschild
0 C 90	59.68.0317	1 pce	220u	EL 35V, 10 *10.7 lowESR	0 MP 4	50.20.3018	1 pce	37.5	Profil-Kühlkörper 35*35
0 C 91	59.68.0317	1 pce	220u	EL 35V, 10 *10.7 lowESR	0 MP 6	50.20.3015	2 pcs		Klemm-Feder zu 50203014
0 C 92	59.68.0317	1 pce	220u	EL 35V, 10 *10.7 lowESR	0 MP 7	24.16.2030	2 pcs	3.2/6.0	Fächerscheibe Form A
0 C 93	59.68.0317	1 pce	220u	EL 35V, 10 *10.7 lowESR	0 MP 8	21.38.0355	2 pcs	M3*8	Z - Schraube KS A2 blank
0 C 94	59.60.3337	1 pce	100n	CER 50V, 10%, X7R, 0805	0 MP 9	50.20.3012	1 pce		Kühlkörper, TO 220, vertikal
0 C 95	59.60.3337	1 pce	100n	CER 50V, 10%, X7R, 0805	0 MP 10	50.20.3011	1 pce		Kühlkörper, TO 220, vertikal
0 C 96	59.60.3337	1 pce	100n	CER 50V, 10%, X7R, 0805	0 MP 11	50.20.3011	1 pce		Kühlkörper, TO 220, vertikal
0 C 97	59.60.3337	1 pce	100n	CER 50V, 10%, X7R, 0805	0 MP 101	50.60.9416	1 pce	3.7/7*12	Lichtleiter rechteckig für LED
0 C 98	59.60.3337	1 pce	100n	CER 50V, 10%, X7R, 0805	0 MP 102	50.60.9416	1 pce	3.7/7*12	Lichtleiter rechteckig für LED

LED/PSII PCB 1.949.402.81 (0)

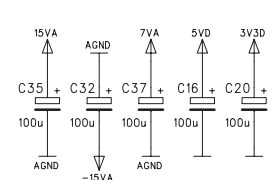
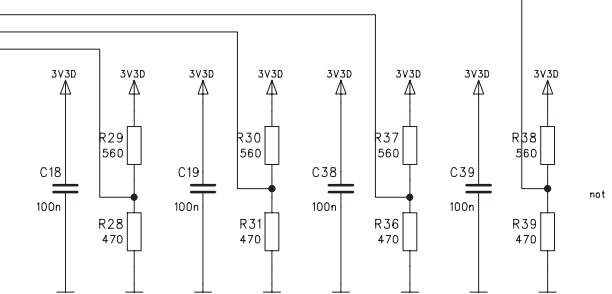
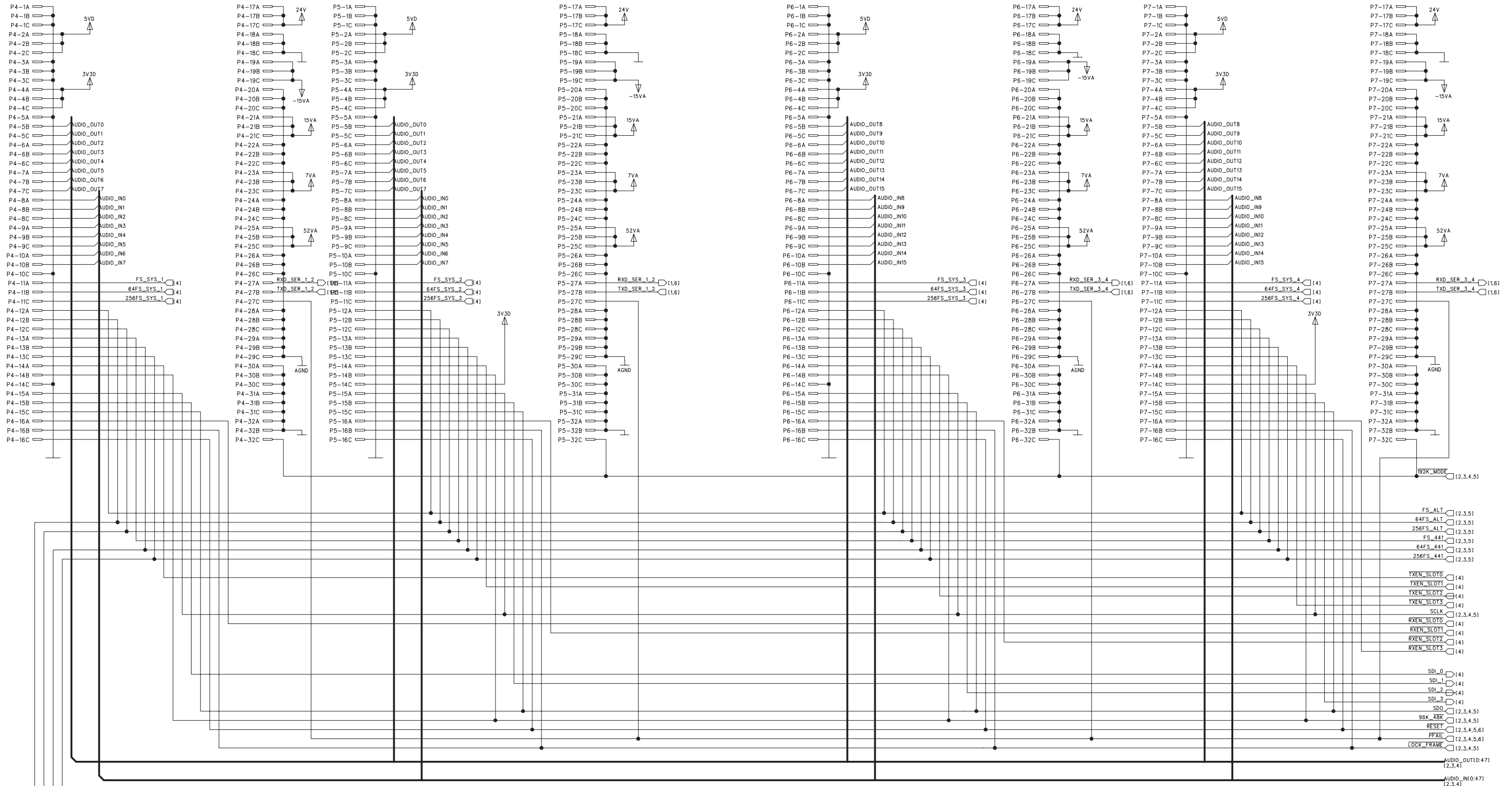
Idx. Pos.	Part No.	Qty.	Type/Val.	Description	Idx. Pos.	Part No.	Qty.	Type/Val.	Description	
0	MP 108	50.60.9416	1 pce	3.7/7*12	Lichtleiter rechteckig für LED	0	R 60	57.60.1103	1 pce 10k	MF, 1%, 0204, E24
0	MP 109	50.60.9416	1 pce	3.7/7*12	Lichtleiter rechteckig für LED	0	R 61	57.60.1103	1 pce 10k	MF, 1%, 0204, E24
0	MP 110	50.60.9416	1 pce	3.7/7*12	Lichtleiter rechteckig für LED	0	R 62	57.60.1103	1 pce 10k	MF, 1%, 0204, E24
0	MP 111	50.60.9416	1 pce	3.7/7*12	Lichtleiter rechteckig für LED	0	R 63	57.60.1103	1 pce 10k	MF, 1%, 0204, E24
0	MP 112	50.60.9416	1 pce	3.7/7*12	Lichtleiter rechteckig für LED	0	R 64	57.60.1331	1 pce 330R	MF, 1%, 0204, E24
0	MP 113	50.60.9416	1 pce	3.7/7*12	Lichtleiter rechteckig für LED	0	R 65	57.60.1331	1 pce 330R	MF, 1%, 0204, E24
0	MP 114	50.60.9416	1 pce	3.7/7*12	Lichtleiter rechteckig für LED	0	R 66	57.60.1103	1 pce 10k	MF, 1%, 0204, E24
0	MP 115	50.60.9416	1 pce	3.7/7*12	Lichtleiter rechteckig für LED	0	R 67	57.60.1105	1 pce 1M0	MF, 1%, 0204, E24
0	MP 116	50.60.9416	1 pce	3.7/7*12	Lichtleiter rechteckig für LED	0	R 68	57.60.1105	1 pce 1M0	MF, 1%, 0204, E24
0	MP 117	50.60.9416	1 pce	3.7/7*12	Lichtleiter rechteckig für LED	0	R 69	57.60.1103	1 pce 10k	MF, 1%, 0204, E24
0	MP 118	50.60.9416	1 pce	3.7/7*12	Lichtleiter rechteckig für LED	0	R 70	57.60.1105	1 pce 1M0	MF, 1%, 0204, E24
0	MP 119	50.60.9416	1 pce	3.7/7*12	Lichtleiter rechteckig für LED	0	R 71	57.60.1103	1 pce 10k	MF, 1%, 0204, E24
0	MP 120	50.60.9416	1 pce	3.7/7*12	Lichtleiter rechteckig für LED	0	R 72	57.60.1105	1 pce 1M0	MF, 1%, 0204, E24
0	MP 121	50.60.9416	1 pce	3.7/7*12	Lichtleiter rechteckig für LED	0	R 73	57.60.1152	1 pce 1k5	MF, 1%, 0204, E24
0	MP 122	50.60.9416	1 pce	3.7/7*12	Lichtleiter rechteckig für LED	0	R 74	57.60.1331	1 pce 330R	MF, 1%, 0204, E24
0	MP 123	50.60.9416	1 pce	3.7/7*12	Lichtleiter rechteckig für LED	0	R 75	57.60.1331	1 pce 330R	MF, 1%, 0204, E24
0	MP 124	50.60.9416	1 pce	3.7/7*12	Lichtleiter rechteckig für LED	0	R 76	57.60.1331	1 pce 330R	MF, 1%, 0204, E24
0	MP 125	50.60.9416	1 pce	3.7/7*12	Lichtleiter rechteckig für LED	0	R 77	57.60.1331	1 pce 330R	MF, 1%, 0204, E24
0	MP 126	50.60.9416	1 pce	3.7/7*12	Lichtleiter rechteckig für LED	0	R 78	57.60.1103	1 pce 10k	MF, 1%, 0204, E24
0	MP 127	50.60.9416	1 pce	3.7/7*12	Lichtleiter rechteckig für LED	0	R 79	57.60.1333	1 pce 33k	MF, 1%, 0204, E24
0	MP 128	50.60.9416	1 pce	3.7/7*12	Lichtleiter rechteckig für LED	0	R 80	57.60.1823	1 pce 82k	MF, 1%, 0204, E24
0	MP 129	50.60.9416	1 pce	3.7/7*12	Lichtleiter rechteckig für LED	0	R 81	57.60.1331	1 pce 330R	MF, 1%, 0204, E24
0	MP 130	50.60.9416	1 pce	3.7/7*12	Lichtleiter rechteckig für LED	0	R 82	57.60.1331	1 pce 330R	MF, 1%, 0204, E24
0	MP 131	50.60.9416	1 pce	3.7/7*12	Lichtleiter rechteckig für LED	0	R 83	57.60.1105	1 pce 1M0	MF, 1%, 0204, E24
0	MP 132	50.60.9416	1 pce	3.7/7*12	Lichtleiter rechteckig für LED	0	R 84	57.60.1105	1 pce 1M0	MF, 1%, 0204, E24
0	MP 133	50.60.9416	1 pce	3.7/7*12	Lichtleiter rechteckig für LED	0	R 85	57.60.1105	1 pce 1M0	MF, 1%, 0204, E24
0	MP 134	50.60.9416	1 pce	3.7/7*12	Lichtleiter rechteckig für LED	0	R 86	57.60.1105	1 pce 1M0	MF, 1%, 0204, E24
0	MP 135	50.60.9416	1 pce	3.7/7*12	Lichtleiter rechteckig für LED	0	R 87	57.60.1103	1 pce 10k	MF, 1%, 0204, E24
0	MP 136	50.60.9416	1 pce	3.7/7*12	Lichtleiter rechteckig für LED	0	R 88	57.60.1331	1 pce 330R	MF, 1%, 0204, E24
0	P 1	54.14.5516	1 pce	16p	PCB-Buchse gerade	0	R 89	57.60.1331	1 pce 330R	MF, 1%, 0204, E24
0	P 3	1.940.550.01	1 pce		MESSERLEISTE 96 pol DIN 41612	0	R 90	57.60.1563	1 pce 56k	MF, 1%, 0204, E24
0	P 4	1.940.550.01	1 pce		MESSERLEISTE 96 pol DIN 41612	0	R 91	57.60.1563	1 pce 56k	MF, 1%, 0204, E24
0	P 5	1.940.550.01	1 pce		MESSERLEISTE 96 pol DIN 41612	0	R 92	57.60.1103	1 pce 10k	MF, 1%, 0204, E24
0	Q 1	50.60.2202	1 pce	FDB7030	PowerMOS N-Ch 30V, 50A	0	R 93	57.60.1103	1 pce 10k	MF, 1%, 0204, E24
0	Q 2	50.60.7001	1 pce	BT138B	Triac 8A, 600V, SOT 404	0	R 94	57.60.1229	1 pce 2R2	MF, 1%, 0204, E24
0	Q 3	50.60.2202	1 pce	FDB7030	PowerMOS N-Ch 30V, 50A	0	R 95	57.60.1339	1 pce 3R3	MF, 1%, 0204, E24
0	Q 4	50.60.0003	1 pce	BC846B	NPN 65V 100mA SOT 23	0	R 96	57.60.1331	1 pce 330R	MF, 1%, 0204, E24
0	Q 5	50.60.0003	1 pce	BC846B	NPN 65V 100mA SOT 23	0	R 97	57.60.1331	1 pce 330R	MF, 1%, 0204, E24
0	Q 6	50.60.2202	1 pce	FDB7030	PowerMOS N-Ch 30V, 50A	0	R 98	57.60.1103	1 pce 10k	MF, 1%, 0204, E24
0	Q 7	50.03.1509	1 pce	IRF540	N-VMOS-FET 100V, 27A	0	R 99	57.60.1103	1 pce 10k	MF, 1%, 0204, E24
0	Q 8	50.60.0003	1 pce	BC846B	NPN 65V 100mA SOT 23	0	R 100	57.60.1103	1 pce 10k	MF, 1%, 0204, E24
0	Q 9	50.60.2202	1 pce	FDB7030	PowerMOS N-Ch 30V, 50A	0	R 101	57.60.1103	1 pce 10k	MF, 1%, 0204, E24
0	Q 10	50.60.0001	1 pce	BC847B	NPN 45V 100mA SOT 23	0	R 102	57.60.1103	1 pce 10k	MF, 1%, 0204, E24
0	Q 11	50.60.1001	1 pce	BC857B	PNP 45V 100mA SOT 23	0	R 103	57.60.1154	1 pce 150k	MF, 1%, 0204, E24
0	R 1	57.60.1333	1 pce	33k	MF, 1%, 0204, E24	0	R 104	57.60.1109	1 pce 1R0	MF, 1%, 0204, E24
0	R 2	57.60.1333	1 pce	33k	MF, 1%, 0204, E24	0	R 105	57.60.1109	1 pce 1R0	MF, 1%, 0204, E24
0	R 3	57.60.1104	1 pce	100k	MF, 1%, 0204, E24	0	R 106	57.60.1472	1 pce 4k7	MF, 1%, 0204, E24
0	R 4	57.60.1224	1 pce	220k	MF, 1%, 0204, E24	0	R 107	57.60.1152	1 pce 1k5	MF, 1%, 0204, E24
0	R 5	57.60.1104	1 pce	100k	MF, 1%, 0204, E24	0	R 108	57.60.1109	1 pce 1R0	MF, 1%, 0204, E24
0	R 6	57.60.1103	1 pce	10k	MF, 1%, 0204, E24	0	R 109	57.60.1109	1 pce 1R0	MF, 1%, 0204, E24
0	R 7	57.60.1100	1 pce	10R	MF, 1%, 0204, E24	0	R 110	57.60.1331	1 pce 330R	MF, 1%, 0204, E24
0	R 8	57.60.1823	1 pce	82k	MF, 1%, 0204, E24	0	R 111	57.60.1331	1 pce 330R	MF, 1%, 0204, E24
0	R 9	57.60.1104	1 pce	100k	MF, 1%, 0204, E24	0	R 112	57.60.1472	1 pce 4k7	MF, 1%, 0204, E24
0	R 10	57.60.1152	1 pce	1k5	MF, 1%, 0204, E24	0	R 113	57.60.1104	1 pce 100k	MF, 1%, 0204, E24
0	R 11	57.60.1229	1 pce	2R2	MF, 1%, 0204, E24	0	R 114	57.60.1223	1 pce 22k	MF, 1%, 0204, E24
0	R 12	57.60.1563	1 pce	56k	MF, 1%, 0204, E24	0	R 115	57.60.1223	1 pce 22k	MF, 1%, 0204, E24
0	R 13	57.60.1221	1 pce	220R	MF, 1%, 0204, E24	0	R 116	57.60.1109	1 pce 1R0	MF, 1%, 0204, E24
0	R 14	57.60.1471	1 pce	470R	MF, 1%, 0204, E24	0	R 117	57.60.1109	1 pce 1R0	MF, 1%, 0204, E24
0	R 15	57.60.1271	1 pce	270R	MF, 1%, 0204, E24	0	R 118	57.60.1472	1 pce 4k7	MF, 1%, 0204, E24
0	R 16	57.60.1392	1 pce	3k9	MF, 1%, 0204, E24	0	R 119	57.60.1102	1 pce 1k0	MF, 1%, 0204, E24
0	R 17	57.60.1472	1 pce	4k7	MF, 1%, 0204, E24	0	R 120	57.60.1000	1 pce 0R0	MF, 0204
0	R 18	57.60.1105	1 pce	1M0	MF, 1%, 0204, E24	0	R 121	57.60.1103	1 pce 10k	MF, 1%, 0204, E24
0	R 19	57.60.1103	1 pce	10k	MF, 1%, 0204, E24	0	R 122	57.60.1103	1 pce 10k	MF, 1%, 0204, E24
0	R 20	57.60.1332	1 pce	3k3	MF, 1%, 0204, E24	0	R 123	57.60.1393	1 pce 39k	MF, 1%, 0204, E24
0	R 21	57.60.1563	1 pce	56k	MF, 1%, 0204, E24	0	R 124	57.60.1333	1 pce 33k	MF, 1%, 0204, E24
0	R 22	57.60.1102	1 pce	1k0	MF, 1%, 0204, E24	0	R 125	57.60.1109	1 pce 1R0	MF, 1%, 0204, E24
0	R 23	57.60.1563	1 pce	56k	MF, 1%, 0204, E24	0	R 126	57.60.1109	1 pce 1R0	MF, 1%, 0204, E24
0	R 24	not used	1 pce	100k	MF, 1%, 0204, E24	0	R 127	57.60.1103	1 pce 10k	MF, 1%, 0204, E24
0	R 25	57.92.7014	1 pce	0.65A	PTC 60V	0	R 128	57.60.1681	1 pce 680R	MF, 1%, 0204, E24
0	R 26	57.60.1103	1 pce	10k	MF, 1%, 0204, E24	0	R 129	57.60.1103	1 pce 10k	MF, 1%, 0204, E24
0	R 27	57.60.1331	1 pce	330R	MF, 1%, 0204, E24	0	R 130	57.60.1473	1 pce 47k	MF, 1%, 0204, E24
0	R 28	57.60.1330	1 pce	33R	MF, 1%, 0204, E24	0	R 131	57.60.1109	1 pce 1R0	MF, 1%, 0204, E24
0	R 29	57.60.1331	1 pce	330R	MF, 1%, 0204, E24	0	R 132	57.60.1109	1 pce 1R0	MF, 1%, 0204, E24
0	R 30	57.60.1331	1 pce	330R	MF, 1%, 0204, E24	0	R 133	57.60.1103	1 pce 10k	MF, 1%, 0204, E24
0	R 31	57.60.1331	1 pce	330R	MF, 1%, 0204, E24	0	R 134	57.60.1102	1 pce 1k0	MF, 1%, 0204, E24
0	R 32	57.60.1331	1 pce	330R	MF, 1%, 0204, E24	0	R 135	57.60.1104	1 pce 100k	MF, 1%, 0204, E24
0	R 33	57.60.1331	1 pce	330R	MF, 1%, 0204, E24	0	R 136	57.60.1104	1 pce 100k	MF, 1%, 0204, E24
0	R 34	57.60.1331	1 pce	330R	MF, 1%, 0204, E24	0	R 137	57.60.1223	1 pce 22k	MF, 1%, 0204, E24
0	R 35	57.60.1331	1 pce	330R	MF, 1%, 0204, E24	0	R 138	57.60.1103	1 pce 10k	MF, 1%, 0204, E24
0	R 36	57.60.1331	1 pce	330R	MF, 1%, 0204, E24	0	R 139	57.60.1682	1 pce 6k8	MF, 1%, 0204, E24
0	R 37	57.60.1331	1 pce	330R	MF, 1%, 0204, E24	0	R 140	not used	1 pce 47k	MF, 1%, 0204, E24
0	R 38	57.60.1331	1 pce	330R	MF, 1%, 0204, E24	0	R 141	57.60.1301	1 pce 300R	MF, 1%, 0204, E24
0	R 39	57.60.1333	1 pce	33k	MF, 1%, 0204, E24	0	R 142	57.60.1152	1 pce 1k5	MF, 1%, 0204, E24
0	R 40	57.60.1331	1 pce	330R	MF, 1%, 0204, E24	0	R 143	57.11.3103	1 pce 10k	MF, 1%, 0207
0	R 41	57.60.1331	1 pce	330R	MF, 1%, 0204, E24	0	R 144	57.60.1682	1 pce 6k8	MF, 1%, 0204, E24
0	R 42	57.60.1331	1 pce	330R	MF, 1%, 0204, E24	0	R 145	57.60.1274	1 pce 270k	MF, 1%, 0204, E24
0	R 43	57.60.1101	1 pce	100R	MF, 1%, 0204, E24	0	R 146	57.60.1105	1 pce 1M0	MF, 1%, 0204, E24
0	R 44	57.60.1331	1 pce	330R	MF, 1%, 0204, E24	0	R 147	57.60.1473	1 pce 47k	MF, 1%, 0204, E24
0	R 45	57.60.1331	1 pce	330R	MF, 1%, 0204, E24	0	S 1	55.60.0201	1 pce 1*s	SMD Tactswitch
0	R 46	57.60.1331	1 pce	330R	MF, 1%, 0204, E24	0	S 2	55.60.0201	1 pce 1*s	SMD Tactswitch
0	R 47	57.60.1331	1 pce	330R	MF, 1%, 0204, E24	0	T 1	1.022.662.00	1 pce	Trafo +/-15V 52V
0	R 48	57.60.1330	1 pce	33R	MF, 1%, 0204, E24	0	W 1	1.023.391.14	1 pce	FLACKKABEL 16 POL. 0.14M
0	R 49	57.60.1331	1 pce	330R	MF, 1%, 0204, E24					
0	R 50	57.60.1331								

Audio Slot 1

Audio Slot 2

Audio Slot 3

Audio Slot 4

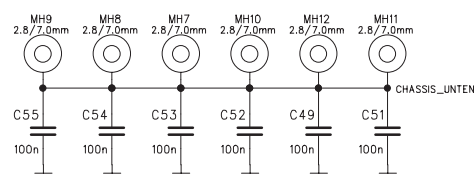
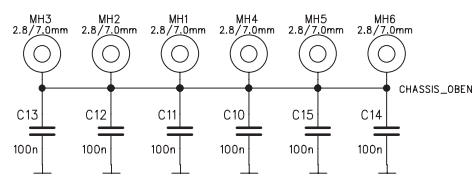
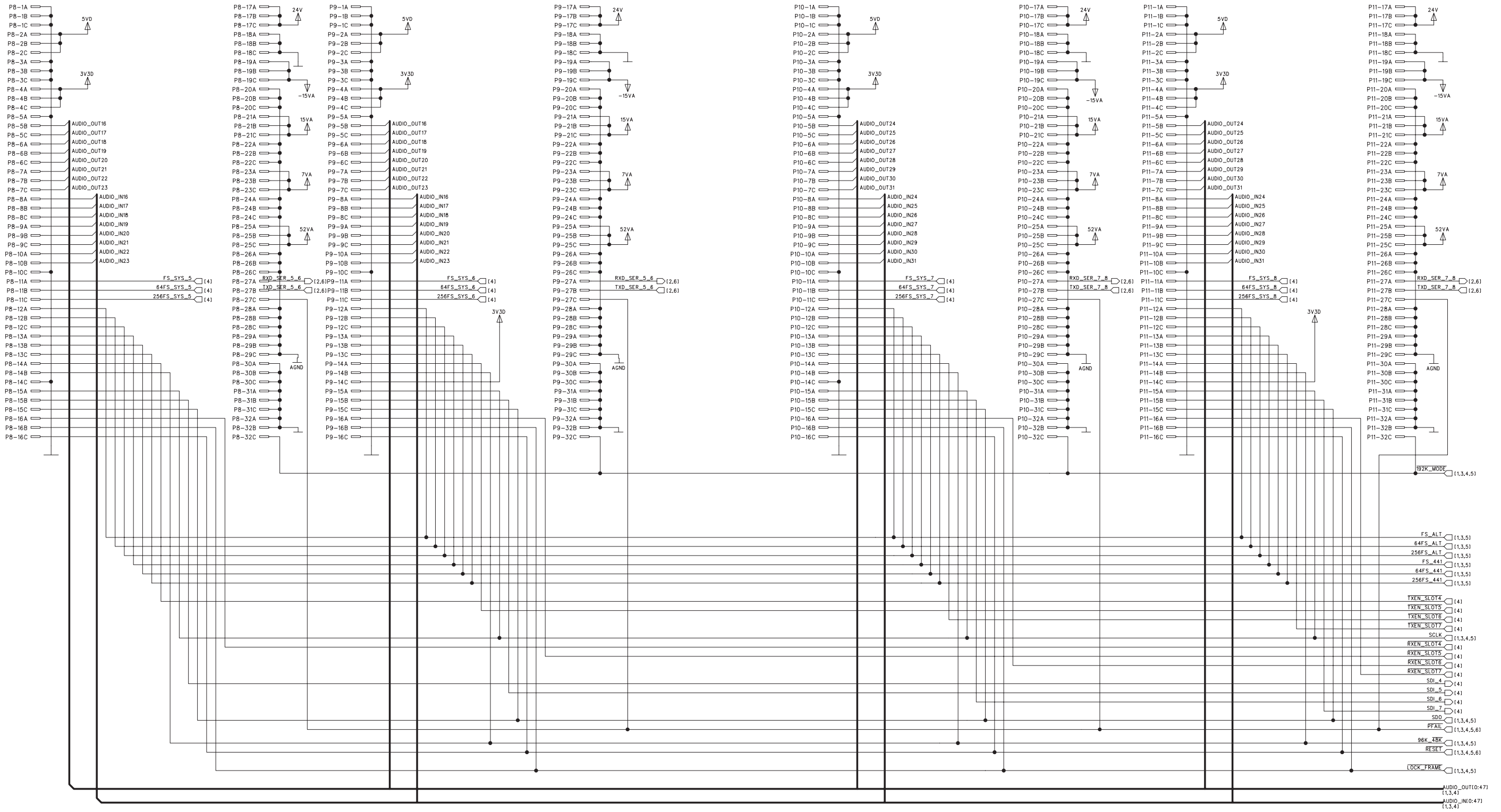


Audio Slot 5

Audio Slot 6

Audio Slot 7

Audio Slot 8

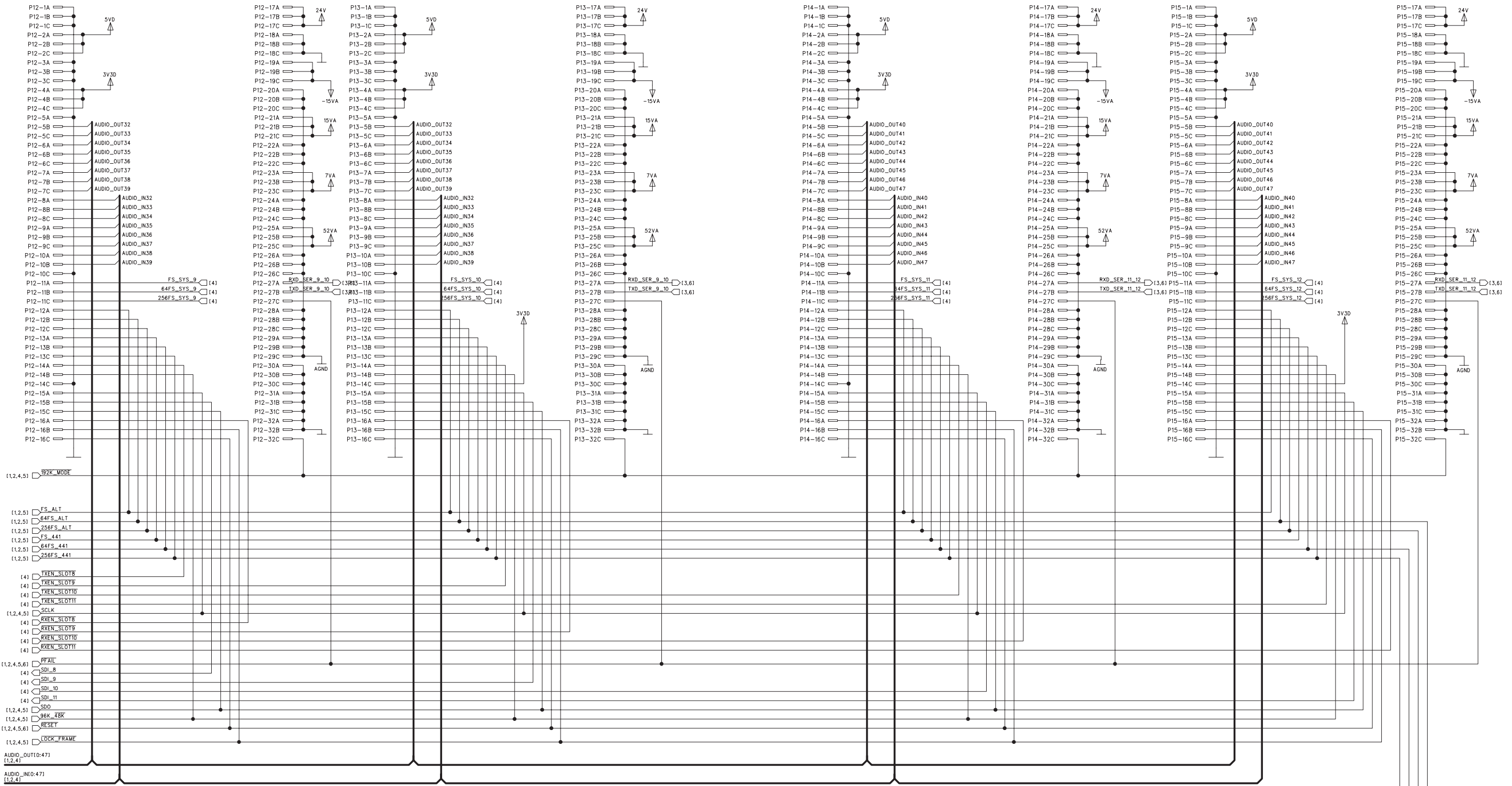


Audio Slot 9

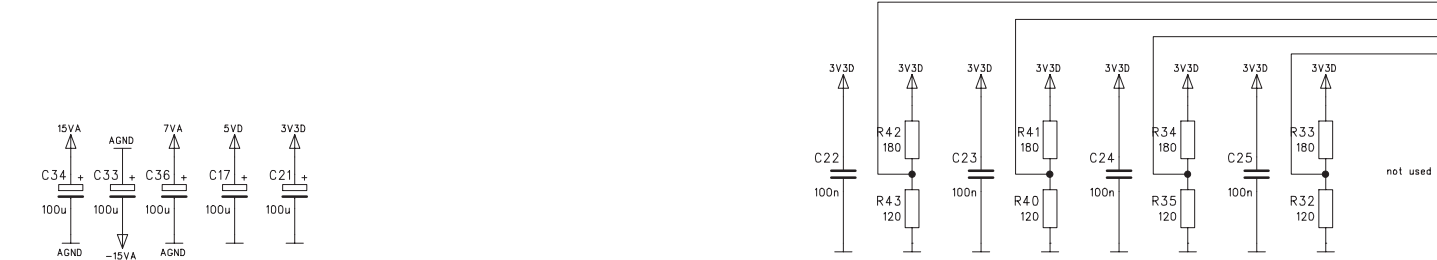
Audio Slot 10

Audio Slot 11

Audio Slot 12

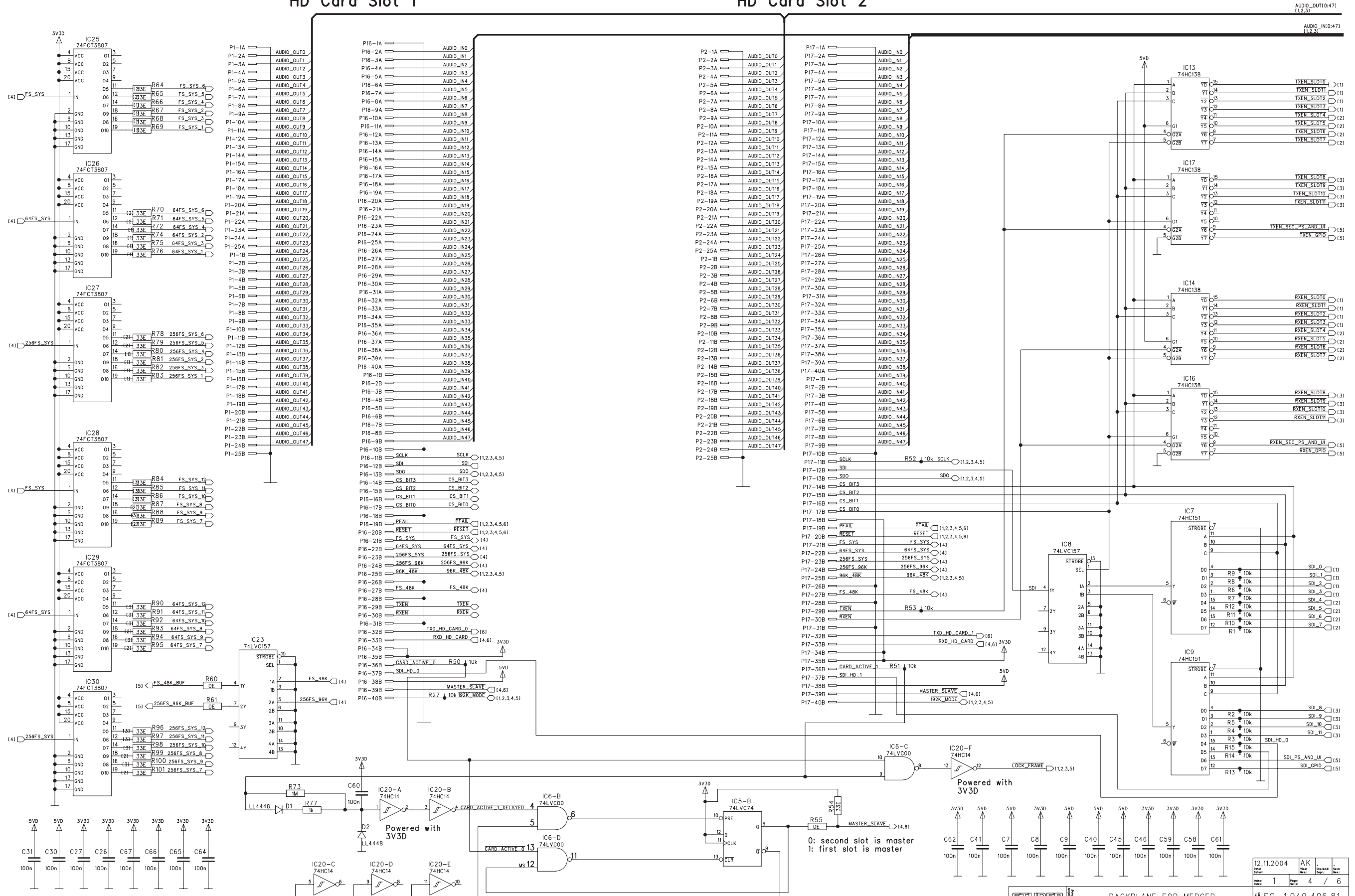


- (1,2,4,5) 192K_WOBF
- (1,2,5) FS_ALT
- (1,2,5) 64FS_ALT
- (1,2,5) 256FS_ALT
- (1,2,5) FS_441
- (1,2,5) 64FS_441
- (1,2,5) 256FS_441
- (4) RXEN_SLOT8
- (4) RXEN_SLOT9
- (4) RXEN_SLOT10
- (4) RXEN_SLOT11
- (4) SCLK
- (1,2,4,5) RXEN_SLOT8
- (4) RXEN_SLOT9
- (4) RXEN_SLOT10
- (4) RXEN_SLOT11
- (1,2,4,5,6) PFAIL
- (4) SDI_8
- (4) SDI_9
- (4) SDI_10
- (4) SDI_11
- (1,2,4,5) SDO
- (1,2,4,5) 96K_48K
- (1,2,4,5) RESET
- (1,2,4,5,6) LOCK_FRAME
- (1,2,4,5) AUDIO_OUT0:47
- (1,2,4) AUDIO_IN0:47

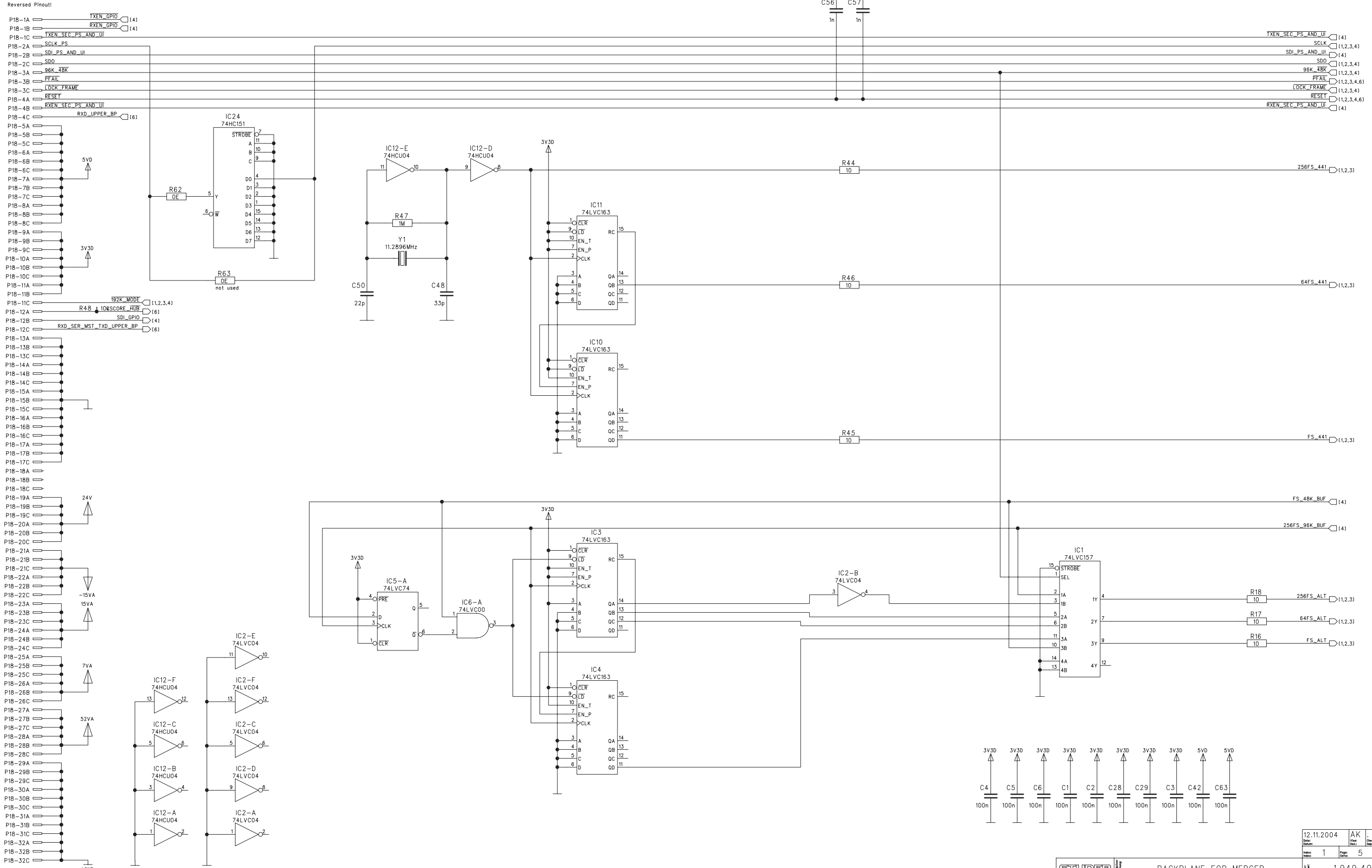


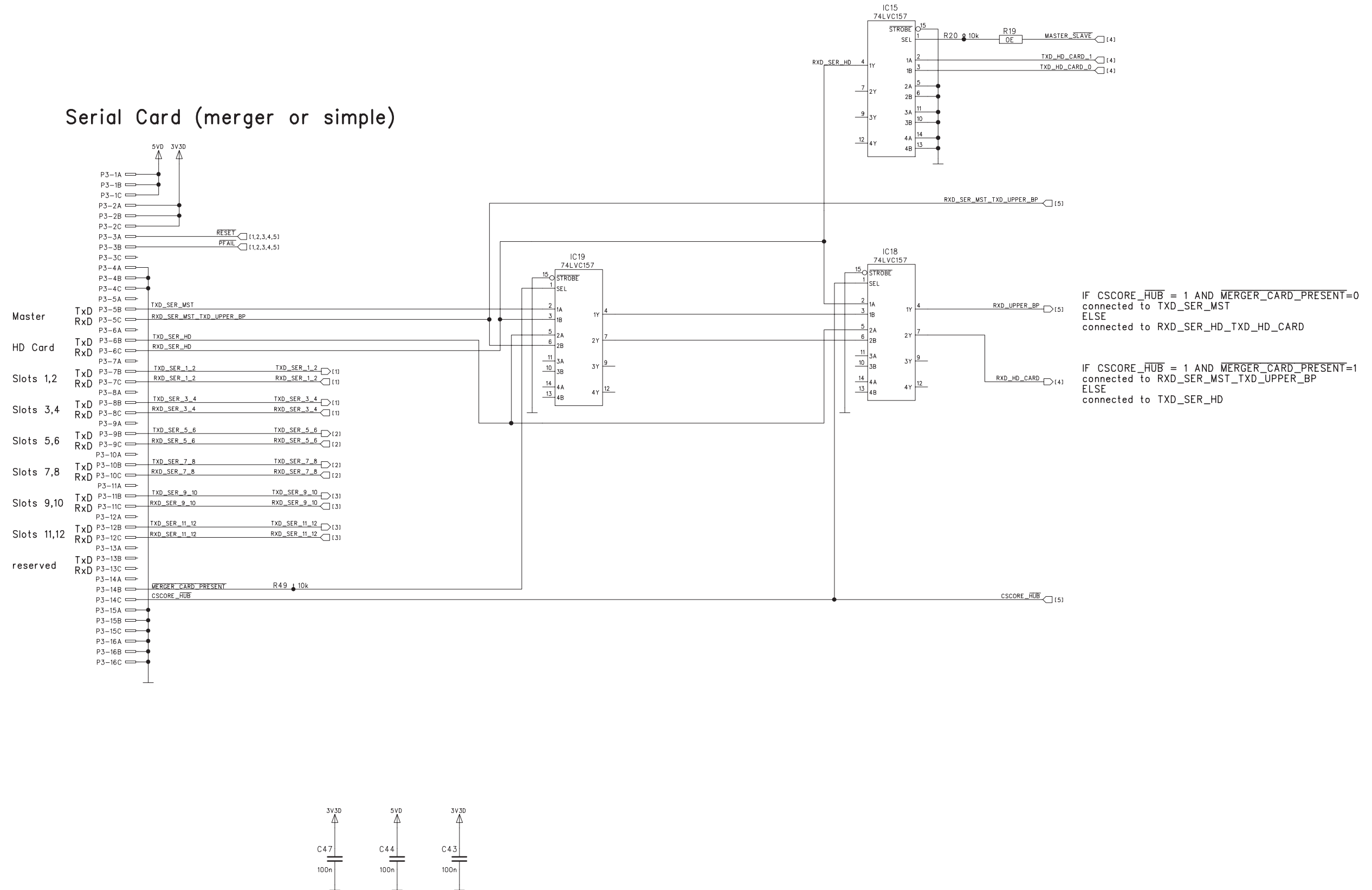
HD Card Slot 1

HD Card Slot 2



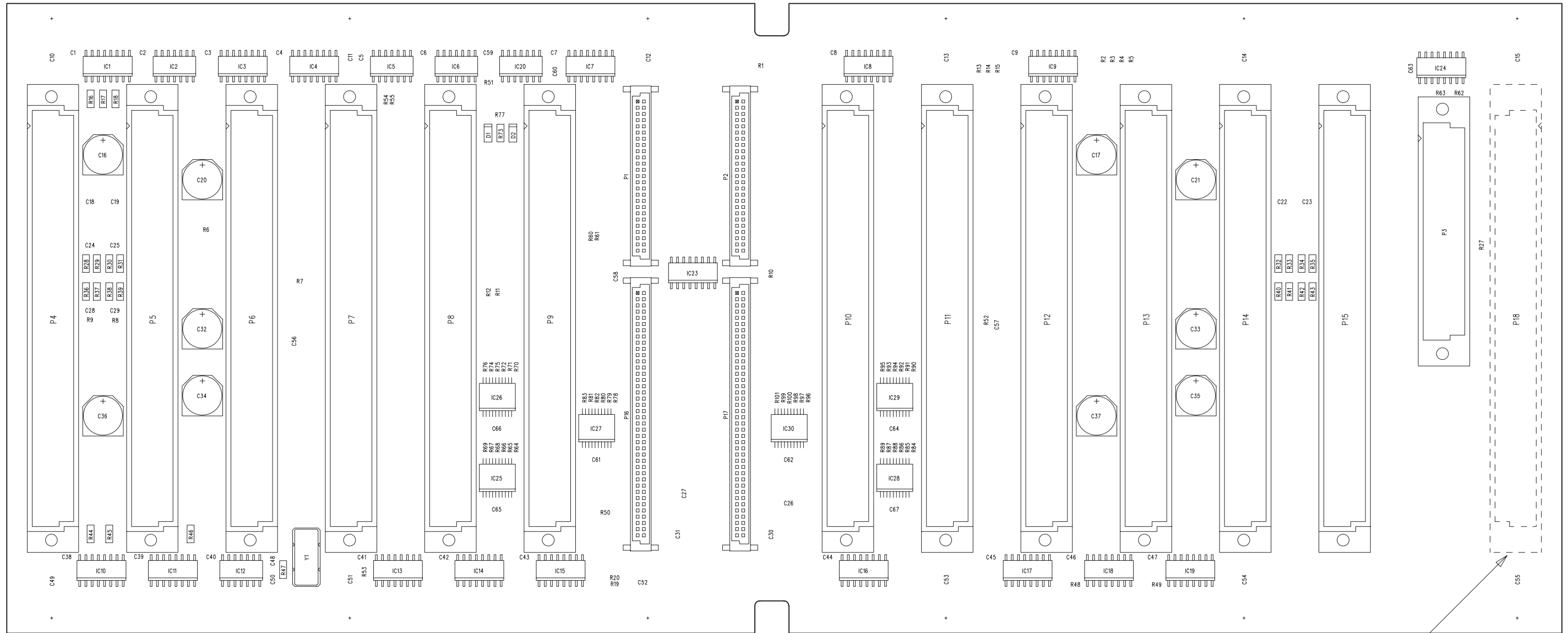
Power Supply





Date:	12.11.2004	AK		
Index:	1	Page:	6	6

Backplane for Merger 1.949.406.81 (1)



MP1

On Solder Side

01.07.2004	WO	AK	SW
0	1	1	1

Backplane for Merger 1.949.406.81 (0)

Idx. Pos.	Part No.	Qty.	Type/Val.	Description	Idx. Pos.	Part No.	Qty.	Type/Val.	Description
0 C 1	59.60.3337	1 pce	100n	CER 50V, 10%, X7R, 0805	0 P 3	54.11.2263	1 pce	48p	EU-CK 3*16, Action
0 C 2	59.60.3337	1 pce	100n	CER 50V, 10%, X7R, 0805	0 P 4	1.940.550.01	1 pce		MESSERLEISTE 96 pol DIN 41612
0 C 3	59.60.3337	1 pce	100n	CER 50V, 10%, X7R, 0805	0 P 5	1.940.550.01	1 pce		MESSERLEISTE 96 pol DIN 41612
0 C 4	59.60.3337	1 pce	100n	CER 50V, 10%, X7R, 0805	0 P 6	1.940.550.01	1 pce		MESSERLEISTE 96 pol DIN 41612
0 C 5	59.60.3337	1 pce	100n	CER 50V, 10%, X7R, 0805	0 P 7	1.940.550.01	1 pce		MESSERLEISTE 96 pol DIN 41612
0 C 6	59.60.3337	1 pce	100n	CER 50V, 10%, X7R, 0805	0 P 8	1.940.550.01	1 pce		MESSERLEISTE 96 pol DIN 41612
0 C 7	59.60.3337	1 pce	100n	CER 50V, 10%, X7R, 0805	0 P 9	1.940.550.01	1 pce		MESSERLEISTE 96 pol DIN 41612
0 C 8	59.60.3337	1 pce	100n	CER 50V, 10%, X7R, 0805	0 P 10	1.940.550.01	1 pce		MESSERLEISTE 96 pol DIN 41612
0 C 9	59.60.3337	1 pce	100n	CER 50V, 10%, X7R, 0805	0 P 11	1.940.550.01	1 pce		MESSERLEISTE 96 pol DIN 41612
0 C 10	59.60.3337	1 pce	100n	CER 50V, 10%, X7R, 0805	0 P 12	1.940.550.01	1 pce		MESSERLEISTE 96 pol DIN 41612
0 C 11	59.60.3337	1 pce	100n	CER 50V, 10%, X7R, 0805	0 P 13	1.940.550.01	1 pce		MESSERLEISTE 96 pol DIN 41612
0 C 12	59.60.3337	1 pce	100n	CER 50V, 10%, X7R, 0805	0 P 14	1.940.550.01	1 pce		MESSERLEISTE 96 pol DIN 41612
0 C 13	59.60.3337	1 pce	100n	CER 50V, 10%, X7R, 0805	0 P 15	1.940.550.01	1 pce		MESSERLEISTE 96 pol DIN 41612
0 C 14	59.60.3337	1 pce	100n	CER 50V, 10%, X7R, 0805	0 P 16	54.60.0212	1 pce	80p	SMC Buchse vertikal
0 C 15	59.60.3337	1 pce	100n	CER 50V, 10%, X7R, 0805	0 P 17	54.60.0212	1 pce	80p	SMC Buchse vertikal
0 C 16	59.68.0071	1 pce	100u	EL 16V, 8.0*6.3	0 P 18	54.11.2011	1 pce	96p	EU-C 3*32, Action
0 C 17	59.68.0071	1 pce	100u	EL 16V, 8.0*6.3	0 R 1	57.69.1097	1 pce	10k	CF 5% 0603
0 C 18	59.60.3337	1 pce	100n	CER 50V, 10%, X7R, 0805	0 R 2	57.69.1097	1 pce	10k	CF 5% 0603
0 C 19	59.60.3337	1 pce	100n	CER 50V, 10%, X7R, 0805	0 R 3	57.69.1097	1 pce	10k	CF 5% 0603
0 C 20	59.68.0071	1 pce	100u	EL 16V, 8.0*6.3	0 R 4	57.69.1097	1 pce	10k	CF 5% 0603
0 C 21	59.68.0071	1 pce	100u	EL 16V, 8.0*6.3	0 R 5	57.69.1097	1 pce	10k	CF 5% 0603
0 C 22	59.60.3337	1 pce	100n	CER 50V, 10%, X7R, 0805	0 R 6	57.69.1097	1 pce	10k	CF 5% 0603
0 C 23	59.60.3337	1 pce	100n	CER 50V, 10%, X7R, 0805	0 R 7	57.69.1097	1 pce	10k	CF 5% 0603
0 C 24	59.60.3337	1 pce	100n	CER 50V, 10%, X7R, 0805	0 R 8	57.69.1097	1 pce	10k	CF 5% 0603
0 C 25	59.60.3337	1 pce	100n	CER 50V, 10%, X7R, 0805	0 R 9	57.69.1097	1 pce	10k	CF 5% 0603
0 C 26	59.60.3337	1 pce	100n	CER 50V, 10%, X7R, 0805	0 R 10	57.69.1097	1 pce	10k	CF 5% 0603
0 C 27	59.60.3337	1 pce	100n	CER 50V, 10%, X7R, 0805	0 R 11	57.69.1097	1 pce	10k	CF 5% 0603
0 C 28	59.60.3337	1 pce	100n	CER 50V, 10%, X7R, 0805	0 R 12	57.69.1097	1 pce	10k	CF 5% 0603
0 C 29	59.60.3337	1 pce	100n	CER 50V, 10%, X7R, 0805	0 R 13	57.69.1097	1 pce	10k	CF 5% 0603
0 C 30	59.60.3337	1 pce	100n	CER 50V, 10%, X7R, 0805	0 R 14	57.69.1097	1 pce	10k	CF 5% 0603
0 C 31	59.60.3337	1 pce	100n	CER 50V, 10%, X7R, 0805	0 R 15	57.69.1097	1 pce	10k	CF 5% 0603
0 C 32	59.68.0071	1 pce	100u	EL 16V, 8.0*6.3	0 R 16	57.60.1100	1 pce	10R	MF, 1%, 0204, E24
0 C 33	59.68.0071	1 pce	100u	EL 16V, 8.0*6.3	0 R 17	57.60.1100	1 pce	10R	MF, 1%, 0204, E24
0 C 34	59.68.0071	1 pce	100u	EL 16V, 8.0*6.3	0 R 18	57.60.1100	1 pce	10R	MF, 1%, 0204, E24
0 C 35	59.68.0071	1 pce	100u	EL 16V, 8.0*6.3	0 R 19	not used	1 pce	0R0	CF 5% 0603
0 C 36	59.68.0071	1 pce	100u	EL 16V, 8.0*6.3	0 R 20	57.69.1097	1 pce	10k	CF 5% 0603
0 C 37	59.68.0071	1 pce	100u	EL 16V, 8.0*6.3	0 R 27	57.69.1097	1 pce	10k	CF 5% 0603
0 C 38	59.60.3337	1 pce	100n	CER 50V, 10%, X7R, 0805	0 R 28	not used	1 pce	470R	MF, 1%, 0204, E24
0 C 39	59.60.3337	1 pce	100n	CER 50V, 10%, X7R, 0805	0 R 29	not used	1 pce	560R	MF, 1%, 0204, E24
0 C 40	59.60.3337	1 pce	100n	CER 50V, 10%, X7R, 0805	0 R 30	not used	1 pce	560R	MF, 1%, 0204, E24
0 C 41	59.60.3337	1 pce	100n	CER 50V, 10%, X7R, 0805	0 R 31	not used	1 pce	470R	MF, 1%, 0204, E24
0 C 42	59.60.3337	1 pce	100n	CER 50V, 10%, X7R, 0805	0 R 32	57.60.1121	1 pce	120R	MF, 1%, 0204, E24
0 C 43	59.60.3337	1 pce	100n	CER 50V, 10%, X7R, 0805	0 R 33	57.60.1181	1 pce	180R	MF, 1%, 0204, E24
0 C 44	59.60.3337	1 pce	100n	CER 50V, 10%, X7R, 0805	0 R 34	57.60.1181	1 pce	180R	MF, 1%, 0204, E24
0 C 45	59.60.3337	1 pce	100n	CER 50V, 10%, X7R, 0805	0 R 35	57.60.1121	1 pce	120R	MF, 1%, 0204, E24
0 C 46	59.60.3337	1 pce	100n	CER 50V, 10%, X7R, 0805	0 R 36	not used	1 pce	470R	MF, 1%, 0204, E24
0 C 47	59.60.3337	1 pce	100n	CER 50V, 10%, X7R, 0805	0 R 37	not used	1 pce	560R	MF, 1%, 0204, E24
0 C 48	59.60.2237	1 pce	33p	CER 50V, 5%, COG, 0603	0 R 38	not used	1 pce	560R	MF, 1%, 0204, E24
0 C 49	59.60.3337	1 pce	100n	CER 50V, 10%, X7R, 0805	0 R 39	not used	1 pce	470R	MF, 1%, 0204, E24
0 C 50	59.60.2233	1 pce	22p	CER 50V, 5%, COG, 0603	0 R 40	57.60.1121	1 pce	120R	MF, 1%, 0204, E24
0 C 51	59.60.3337	1 pce	100n	CER 50V, 10%, X7R, 0805	0 R 41	57.60.1181	1 pce	180R	MF, 1%, 0204, E24
0 C 52	59.60.3337	1 pce	100n	CER 50V, 10%, X7R, 0805	0 R 42	57.60.1181	1 pce	180R	MF, 1%, 0204, E24
0 C 53	59.60.3337	1 pce	100n	CER 50V, 10%, X7R, 0805	0 R 43	57.60.1121	1 pce	120R	MF, 1%, 0204, E24
0 C 54	59.60.3337	1 pce	100n	CER 50V, 10%, X7R, 0805	0 R 44	57.60.1100	1 pce	10R	MF, 1%, 0204, E24
0 C 55	59.60.3337	1 pce	100n	CER 50V, 10%, X7R, 0805	0 R 45	57.60.1100	1 pce	10R	MF, 1%, 0204, E24
0 C 56	59.60.2373	1 pce	1n0	CER 50V, 5%, COG, 0805	0 R 46	57.60.1100	1 pce	10R	MF, 1%, 0204, E24
0 C 57	59.60.2373	1 pce	1n0	CER 50V, 5%, COG, 0805	0 R 47	57.60.1105	1 pce	1M0	MF, 1%, 0204, E24
0 C 58	59.60.3337	1 pce	100n	CER 50V, 10%, X7R, 0805	0 R 48	57.69.1097	1 pce	10k	CF 5% 0603
0 C 59	59.60.3337	1 pce	100n	CER 50V, 10%, X7R, 0805	0 R 49	57.69.1097	1 pce	10k	CF 5% 0603
0 C 60	not used	1 pce	100n	CER 50V, 10%, X7R, 0805	0 R 50	57.69.1097	1 pce	10k	CF 5% 0603
0 C 61	59.60.3337	1 pce	100n	CER 50V, 10%, X7R, 0805	0 R 51	57.69.1097	1 pce	10k	CF 5% 0603
0 C 62	59.60.3337	1 pce	100n	CER 50V, 10%, X7R, 0805	0 R 52	57.69.1097	1 pce	10k	CF 5% 0603
0 C 63	59.60.3337	1 pce	100n	CER 50V, 10%, X7R, 0805	0 R 53	57.69.1097	1 pce	10k	CF 5% 0603
0 C 64	59.60.3337	1 pce	100n	CER 50V, 10%, X7R, 0805	0 R 54	57.69.1037	1 pce	33R	CF 5% 0603
0 C 65	59.60.3337	1 pce	100n	CER 50V, 10%, X7R, 0805	0 R 55	not used	1 pce	0R0	CF 5% 0603
0 C 66	59.60.3337	1 pce	100n	CER 50V, 10%, X7R, 0805	0 R 60	57.69.1000	1 pce	0R0	CF 5% 0603
0 C 67	59.60.3337	1 pce	100n	CER 50V, 10%, X7R, 0805	0 R 61	57.69.1000	1 pce	0R0	CF 5% 0603
0 D 1	not used	1 pce	4448	200mA 75V 4ns SOD 80	0 R 62	57.69.1000	1 pce	0R0	CF 5% 0603
0 D 2	not used	1 pce	4448	200mA 75V 4ns SOD 80	0 R 63	not used	1 pce	0R0	CF 5% 0603
0 IC 1	50.65.0157	1 pce	74LVC157	Quad 2-to1 mux 3.3V	0 R 64	57.69.1037	1 pce	33R	CF 5% 0603
0 IC 2	50.65.0004	1 pce	74LVC04	Hex Inverter 3.3V	0 R 65	57.69.1037	1 pce	33R	CF 5% 0603
0 IC 3	50.65.0163	1 pce	74LVC163	4-bit Counter	0 R 66	57.69.1037	1 pce	33R	CF 5% 0603
0 IC 4	50.65.0163	1 pce	74LVC163	4-bit Counter	0 R 67	57.69.1037	1 pce	33R	CF 5% 0603
0 IC 5	50.65.0074	1 pce	74LVC74	Dual D-FF 3.3V	0 R 68	57.69.1037	1 pce	33R	CF 5% 0603
0 IC 6	50.65.0000	1 pce	74LVC00	Quad NAND 3.3V	0 R 69	57.69.1037	1 pce	33R	CF 5% 0603
0 IC 7	50.62.1151	1 pce	74HC151	8 channel multiplexer	0 R 70	57.69.1037	1 pce	33R	CF 5% 0603
0 IC 8	50.65.0157	1 pce	74LVC157	Quad 2-to1 mux 3.3V	0 R 71	57.69.1037	1 pce	33R	CF 5% 0603
0 IC 9	50.62.1151	1 pce	74HC151	8 channel multiplexer	0 R 72	57.69.1037	1 pce	33R	CF 5% 0603
0 IC 10	50.65.0163	1 pce	74LVC163	4-bit Counter	0 R 73	57.60.1105	1 pce	1M0	MF, 1%, 0204, E24
0 IC 11	50.65.0163	1 pce	74LVC163	4-bit Counter	0 R 74	57.69.1037	1 pce	33R	CF 5% 0603
0 IC 12	50.62.1904	1 pce	74HCU04	Hex inverter unbuffered	0 R 75	57.69.1037	1 pce	33R	CF 5% 0603
0 IC 13	50.62.1138	1 pce	74HC138	3 to 8 line decoder	0 R 76	57.69.1037	1 pce	33R	CF 5% 0603
0 IC 14	50.62.1138	1 pce	74HC138	3 to 8 line decoder	0 R 77	not used	1 pce	1k0	CF 5% 0603
0 IC 15	50.65.0157	1 pce	74LVC157	Quad 2-to1 mux 3.3V	0 R 78	57.69.1037	1 pce	33R	CF 5% 0603
0 IC 16	50.62.1138	1 pce	74HC138	3 to 8 line decoder	0 R 79	57.69.1037	1 pce	33R	CF 5% 0603
0 IC 17	50.62.1138	1 pce	74HC138	3 to 8 line decoder	0 R 80	57.69.1037	1 pce	33R	CF 5% 0603
0 IC 18	50.65.0157	1 pce	74LVC157	Quad 2-to1 mux 3.3V	0 R 81	57.69.1037	1 pce	33R	CF 5% 0603
0 IC 19	50.65.0157	1 pce	74LVC157	Quad 2-to1 mux 3.3V	0 R 82	57.69.1037	1 pce	33R	CF 5% 0603
0 IC 20	50.62.1014	1 pce	74HC 14	Hex Schmitt trigger inverter	0 R 83	57.69.1037	1 pce	33R	CF 5% 0603
0 IC 23	50.65.0157	1 pce	74LVC157	Quad 2-to1 mux 3.3V	0 R 84	57.69.1037	1 pce	33R	CF 5% 0603
0 IC 24	50.62.1151	1 pce	74HC151	8 channel multiplexer	0 R 85	57.69.1037	1 pce	33R	CF 5% 0603
0 IC 25	50.62.6807	1 pce	74FCT3807	1:10 Clock-Driver	0 R 86	57.69.1037	1 pce	33R	CF 5% 0603
0 IC 26	50.62.6807	1 pce	74FCT3807	1:10 Clock-Driver	0 R 87	57.69.1037	1 pce	33R	CF 5% 0603
0 IC 27	50.62.6807	1 pce	74FCT3807	1:10 Clock-Driver	0 R 88	57.69.1037	1 pce	33R	CF 5% 0603
0 IC 28	50.62.6807	1 pce	74FCT3807	1:10 Clock-Driver	0 R 89	57.69.1037	1 pce	33R	CF 5% 0603
0 IC 29	50.62.6807	1 pce	74FCT3807	1:10 Clock-Driver	0 R 90	57.69.1037	1 pce	33R	CF 5% 0603
0 IC 30	50.62.6807	1 pce	74FCT3807	1:10 Clock-Driver	0 R 91	57.69.1037	1 pce	33R	CF 5% 0603
0 MP 1	1.949.406.13	1 pce		BACKPLANE FOR MERGER PCB	0 R 92	57.69.1037	1 pce	33R	CF 5% 0603
0 MP 2	1								

Backplane for Merger 1.949.406.81 (0)

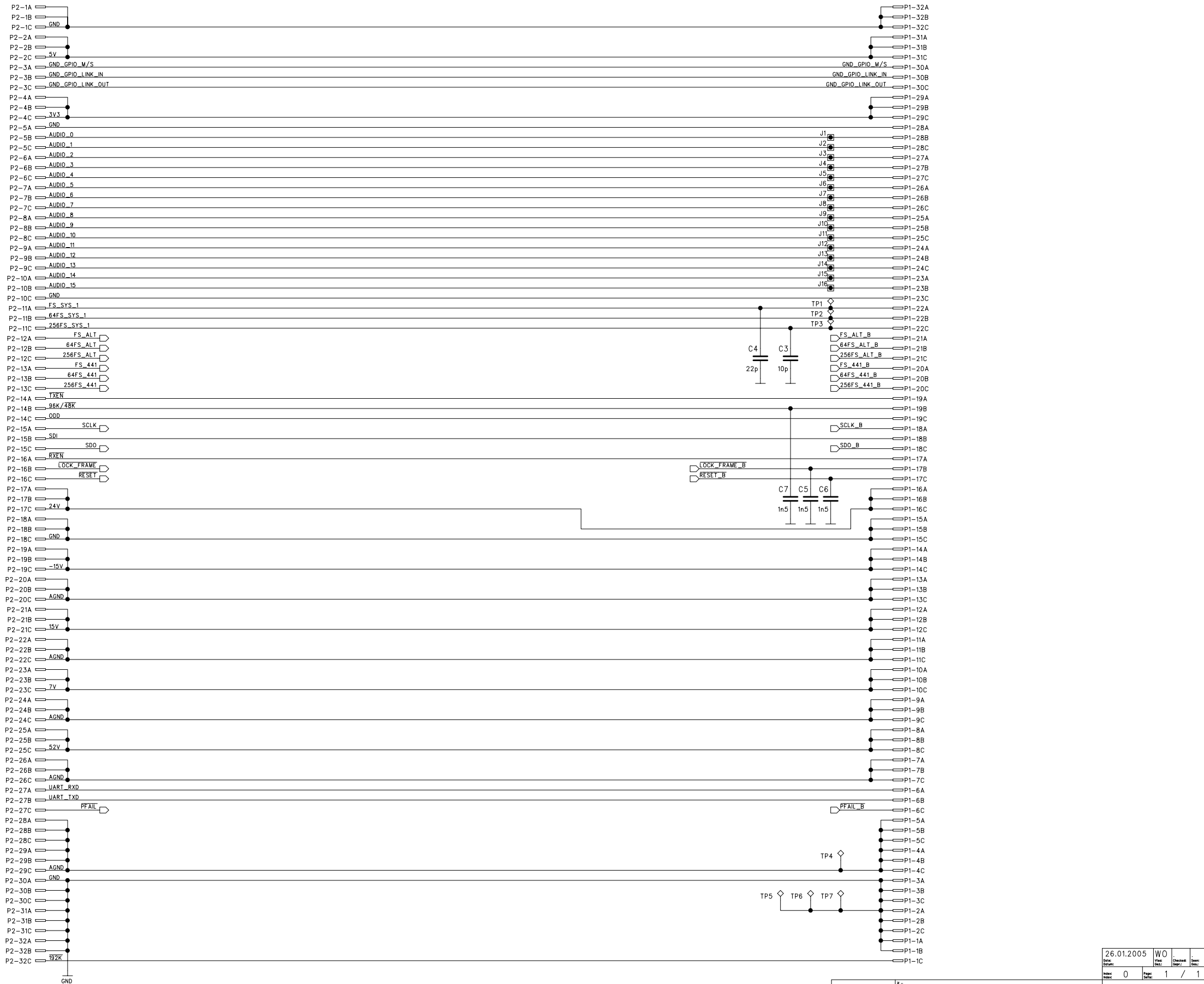
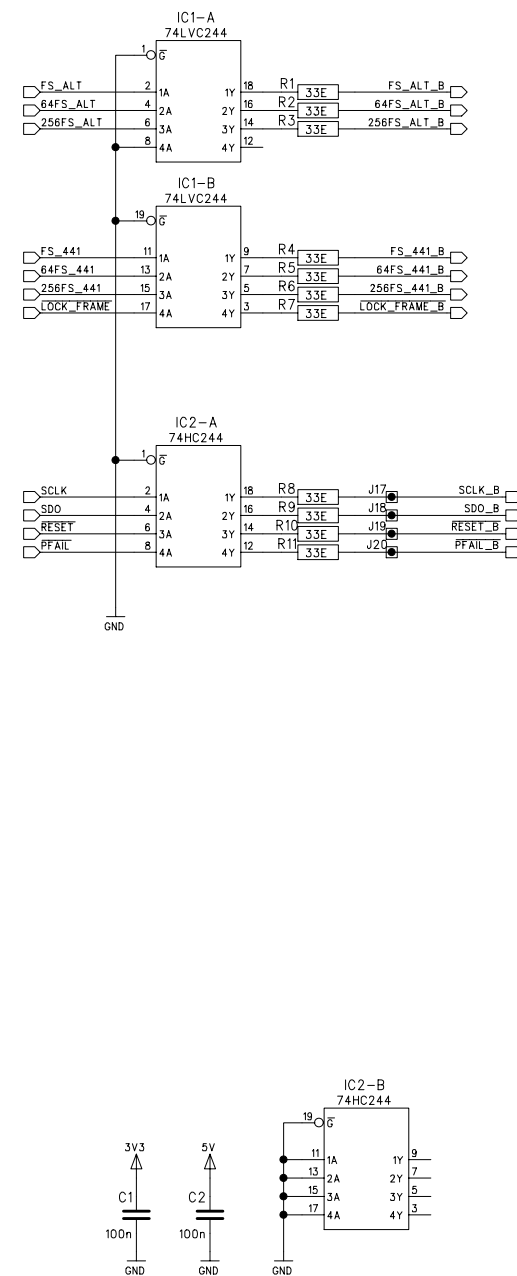
Page: 2 of 2

Idx. Pos.	Part No.	Qty.	Type/Val.	Description
0 R 98	57.69.1037	1 pce	33R	CF 5% 0603
0 R 99	57.69.1037	1 pce	33R	CF 5% 0603
0 R 100	57.69.1037	1 pce	33R	CF 5% 0603
0 R 101	57.69.1037	1 pce	33R	CF 5% 0603
0 Y 1	89.60.1012	1 pce	11.2896MHz	SMD Quartz

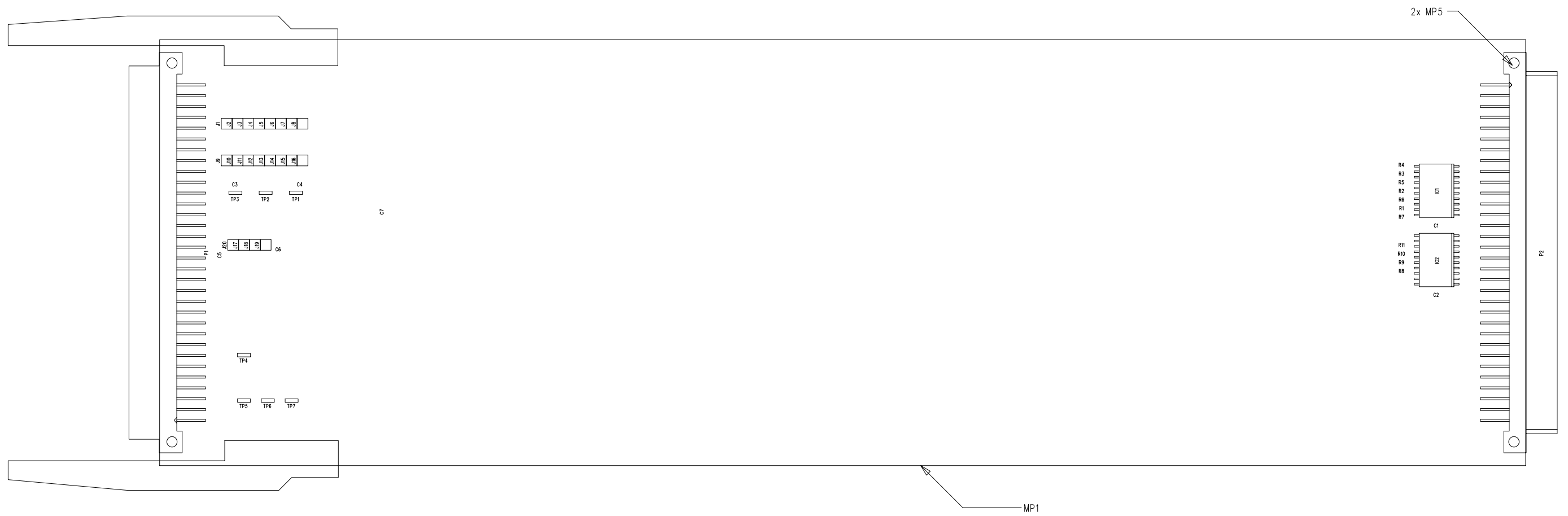
Idx. Pos.	Part No.	Qty.	Type/Val.	Description
-----------	----------	------	-----------	-------------

End of List

Comments:



Extender PCB 1.949.408.00 (1)



Extender Card 1.949.408.00 (1)

Idx. Pos.	Part No.	Qty.	Type/Val.	Description
0	C 1	59.60.3337	1 pce	100n CER 50V, 10%, X7R, 0805
0	C 2	59.60.3337	1 pce	100n CER 50V, 10%, X7R, 0805
0	C 3	59.60.2225	1 pce	10p CER 50V, 5%, C0G, 0603
0	C 4	59.60.2233	1 pce	22p CER 50V, 5%, C0G, 0603
0	C 5	59.60.3315	1 pce	1n5 CER 50V, 10%, X7R, 0805
0	C 6	59.60.3315	1 pce	1n5 CER 50V, 10%, X7R, 0805
0	C 7	59.60.3315	1 pce	1n5 CER 50V, 10%, X7R, 0805
0	IC 1	50.65.0244	1 pce	74LVC244 Octal buffer/line driver 3.3V
0	IC 2	50.62.1244	1 pce	74HC244 Octal buffer line driver/recei
0	J 1	54.01.0020	1 pce	1p Pin, 1reihig, gerade
0	J 2	54.01.0020	1 pce	1p Pin, 1reihig, gerade
0	J 3	54.01.0020	1 pce	1p Pin, 1reihig, gerade
0	J 4	54.01.0020	1 pce	1p Pin, 1reihig, gerade
0	J 5	54.01.0020	1 pce	1p Pin, 1reihig, gerade
0	J 6	54.01.0020	1 pce	1p Pin, 1reihig, gerade
0	J 7	54.01.0020	1 pce	1p Pin, 1reihig, gerade
0	J 8	54.01.0020	1 pce	1p Pin, 1reihig, gerade
0	J 9	54.01.0020	1 pce	1p Pin, 1reihig, gerade
0	J 10	54.01.0020	1 pce	1p Pin, 1reihig, gerade
0	J 11	54.01.0020	1 pce	1p Pin, 1reihig, gerade
0	J 12	54.01.0020	1 pce	1p Pin, 1reihig, gerade
0	J 13	54.01.0020	1 pce	1p Pin, 1reihig, gerade
0	J 14	54.01.0020	1 pce	1p Pin, 1reihig, gerade
0	J 15	54.01.0020	1 pce	1p Pin, 1reihig, gerade
0	J 16	54.01.0020	1 pce	1p Pin, 1reihig, gerade
0	J 17	54.01.0020	1 pce	1p Pin, 1reihig, gerade
0	J 18	54.01.0020	1 pce	1p Pin, 1reihig, gerade
0	J 19	54.01.0020	1 pce	1p Pin, 1reihig, gerade
0	J 20	54.01.0020	1 pce	1p Pin, 1reihig, gerade
0	MP 1	1.949.408.11	1 pce	Extension Board PCB
0	MP 2	1.949.408.10	1 pce	Nr. ETIKETTE 5x20
0	MP 3	43.01.0108	1 pce	Label ESE-Warnschild
0	MP 4	49.01.0200	1 pce	Führungsschiene Extentionboard
1	MP 5	28.99.0119	4 pcs	ROHRNIETE D 2.5*0.15* 9
0	P 1	54.01.0358	1 pce	96p EU-C 3*32p male
0	P 2	54.11.2009	1 pce	96p EU-R 3*32p female
0	R 1	57.69.1037	1 pce	33R CF 5% 0603
0	R 2	57.69.1037	1 pce	33R CF 5% 0603
0	R 3	57.69.1037	1 pce	33R CF 5% 0603
0	R 4	57.69.1037	1 pce	33R CF 5% 0603
0	R 5	57.69.1037	1 pce	33R CF 5% 0603
0	R 6	57.69.1037	1 pce	33R CF 5% 0603
0	R 7	57.69.1037	1 pce	33R CF 5% 0603
0	R 8	57.69.1037	1 pce	33R CF 5% 0603
0	R 9	57.69.1037	1 pce	33R CF 5% 0603
0	R 10	57.69.1037	1 pce	33R CF 5% 0603
0	R 11	57.69.1037	1 pce	33R CF 5% 0603
0	TP 1	54.33.6010	1 pce	2.8*0.8 PCB-Flachstecker, gerade
0	TP 2	54.33.6010	1 pce	2.8*0.8 PCB-Flachstecker, gerade
0	TP 3	54.33.6010	1 pce	2.8*0.8 PCB-Flachstecker, gerade
0	TP 4	54.33.6010	1 pce	2.8*0.8 PCB-Flachstecker, gerade
0	TP 5	54.33.6010	1 pce	2.8*0.8 PCB-Flachstecker, gerade
0	TP 6	54.33.6010	1 pce	2.8*0.8 PCB-Flachstecker, gerade
0	TP 7	54.33.6010	1 pce	2.8*0.8 PCB-Flachstecker, gerade

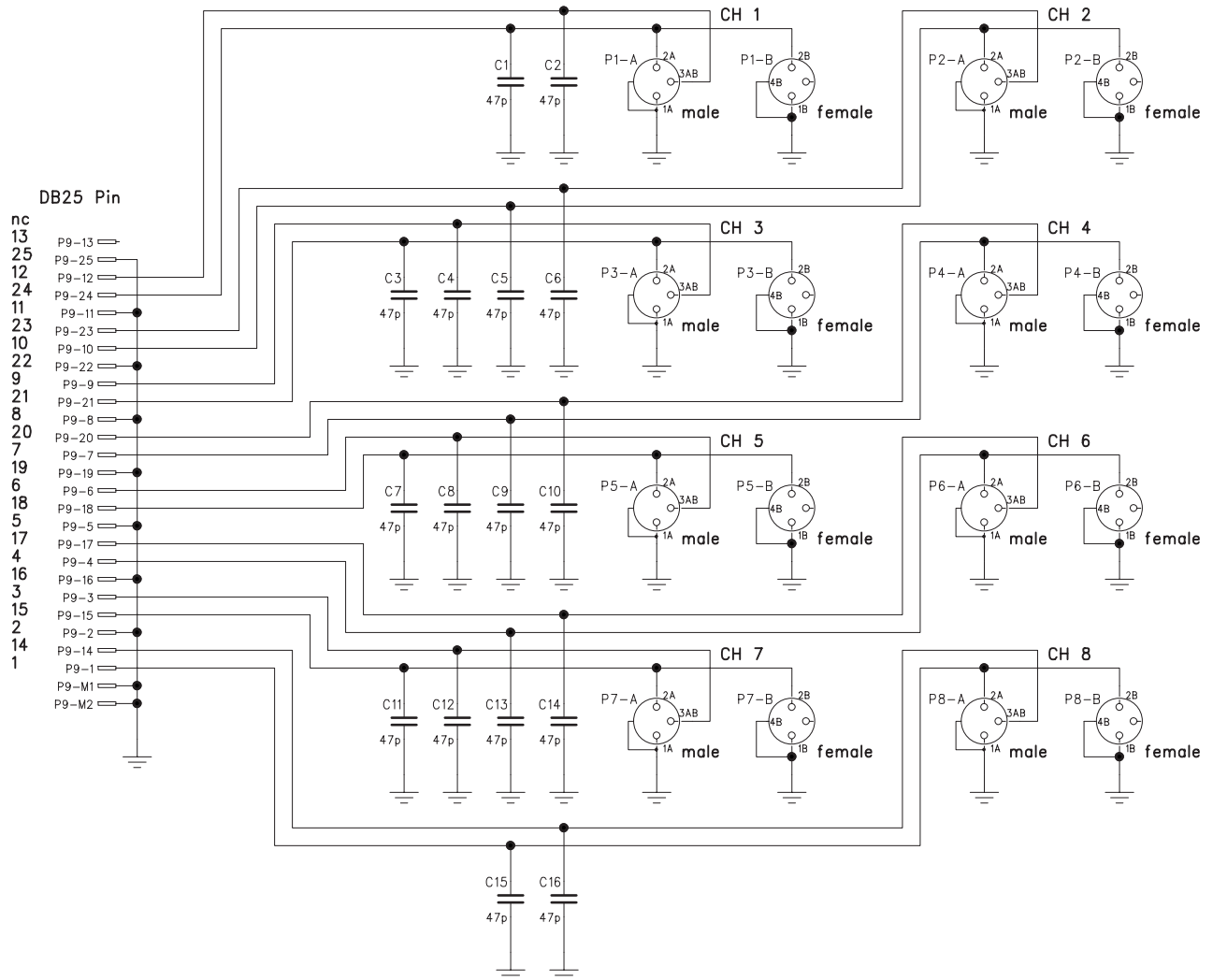
Idx. Pos.	Part No.	Qty.	Type/Val.	Description
-----------	----------	------	-----------	-------------

End of List

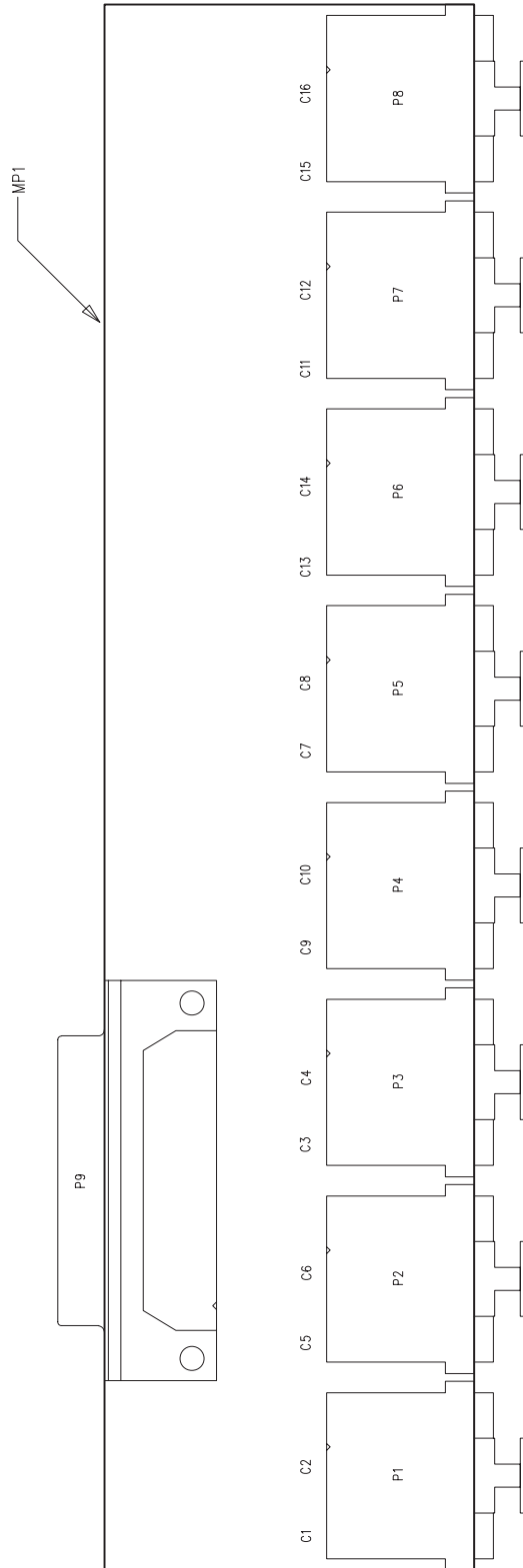
Comments:

(00) 01.02.05 WO
 (01) 09.07.07 MP5 28.99.0119: 2 pcs -> 4 pcs

XLR Break-Out PCB 1:8 FF 1.949.581.00 (0)



XLR Break-Out PCB 1:8 FF 1.949.581.00 (0)



Date 25.09.2006	LA	AK	GP
Index 0	Page 1	Order /	Part 1
1.949.581.00			

XLR Break-Out PCB 1:8 FF 1.949.581.00 (0)

Idx. Pos.	Part No.	Qty.	Type/Val.	Description	Idx. Pos.	Part No.	Qty.	Type/Val.	Description
0	C 1	not used	1 pce	47p	CER 50V, 5%, COG, 0603				
0	C 2	not used	1 pce	47p	CER 50V, 5%, COG, 0603				
0	C 3	not used	1 pce	47p	CER 50V, 5%, COG, 0603				
0	C 4	not used	1 pce	47p	CER 50V, 5%, COG, 0603				
0	C 5	not used	1 pce	47p	CER 50V, 5%, COG, 0603				
0	C 6	not used	1 pce	47p	CER 50V, 5%, COG, 0603				
0	C 7	not used	1 pce	47p	CER 50V, 5%, COG, 0603				
0	C 8	not used	1 pce	47p	CER 50V, 5%, COG, 0603				
0	C 9	not used	1 pce	47p	CER 50V, 5%, COG, 0603				
0	C 10	not used	1 pce	47p	CER 50V, 5%, COG, 0603				
0	C 11	not used	1 pce	47p	CER 50V, 5%, COG, 0603				
0	C 12	not used	1 pce	47p	CER 50V, 5%, COG, 0603				
0	C 13	not used	1 pce	47p	CER 50V, 5%, COG, 0603				
0	C 14	not used	1 pce	47p	CER 50V, 5%, COG, 0603				
0	C 15	not used	1 pce	47p	CER 50V, 5%, COG, 0603				
0	C 16	not used	1 pce	47p	CER 50V, 5%, COG, 0603				
0	MP 1	1.949.581.11	1 pce		XLR BREAK OUT BOARD 1:8 PCB				
0	MP 2	1.949.581.10	1 pce		Nr. ETIKETTE 5x20				
0	P 1	54.21.2205	1 pce	3p	XLR PCB Winkel lock				
0	P 2	54.21.2205	1 pce	3p	XLR PCB Winkel lock				
0	P 3	54.21.2205	1 pce	3p	XLR PCB Winkel lock				
0	P 4	54.21.2205	1 pce	3p	XLR PCB Winkel lock				
0	P 5	54.21.2205	1 pce	3p	XLR PCB Winkel lock				
0	P 6	54.21.2205	1 pce	3p	XLR PCB Winkel lock				
0	P 7	54.21.2205	1 pce	3p	XLR PCB Winkel lock				
0	P 8	54.21.2205	1 pce	3p	XLR PCB Winkel lock				
0	P 9	54.13.0073	1 pce	25p	D-Sub, PCB, Winkel				

End of List

Comments:

XLR Break-Out PCB 1:8 MM 1.949.582.00 (0)

Idx. Pos.	Part No.	Qty.	Type/Val.	Description	Idx. Pos.	Part No.	Qty.	Type/Val.	Description
0	C 1	not used	1 pce	47p	CER 50V, 5%, COG, 0603				
0	C 2	not used	1 pce	47p	CER 50V, 5%, COG, 0603				
0	C 3	not used	1 pce	47p	CER 50V, 5%, COG, 0603				
0	C 4	not used	1 pce	47p	CER 50V, 5%, COG, 0603				
0	C 5	not used	1 pce	47p	CER 50V, 5%, COG, 0603				
0	C 6	not used	1 pce	47p	CER 50V, 5%, COG, 0603				
0	C 7	not used	1 pce	47p	CER 50V, 5%, COG, 0603				
0	C 8	not used	1 pce	47p	CER 50V, 5%, COG, 0603				
0	C 9	not used	1 pce	47p	CER 50V, 5%, COG, 0603				
0	C 10	not used	1 pce	47p	CER 50V, 5%, COG, 0603				
0	C 11	not used	1 pce	47p	CER 50V, 5%, COG, 0603				
0	C 12	not used	1 pce	47p	CER 50V, 5%, COG, 0603				
0	C 13	not used	1 pce	47p	CER 50V, 5%, COG, 0603				
0	C 14	not used	1 pce	47p	CER 50V, 5%, COG, 0603				
0	C 15	not used	1 pce	47p	CER 50V, 5%, COG, 0603				
0	C 16	not used	1 pce	47p	CER 50V, 5%, COG, 0603				
0	MP 1	1.949.581.11	1 pce		XLR BREAK OUT BOARD 1:8 PCB				
0	MP 2	1.949.582.10	1 pce		Nr. ETIKETTE 5x20				
0	P 1	54.21.2202	1 pce	3p	XLR PCB Winkel				
0	P 2	54.21.2202	1 pce	3p	XLR PCB Winkel				
0	P 3	54.21.2202	1 pce	3p	XLR PCB Winkel				
0	P 4	54.21.2202	1 pce	3p	XLR PCB Winkel				
0	P 5	54.21.2202	1 pce	3p	XLR PCB Winkel				
0	P 6	54.21.2202	1 pce	3p	XLR PCB Winkel				
0	P 7	54.21.2202	1 pce	3p	XLR PCB Winkel				
0	P 8	54.21.2202	1 pce	3p	XLR PCB Winkel				
0	P 9	54.13.0073	1 pce	25p	D-Sub, PCB, Winkel				

End of List

Comments:

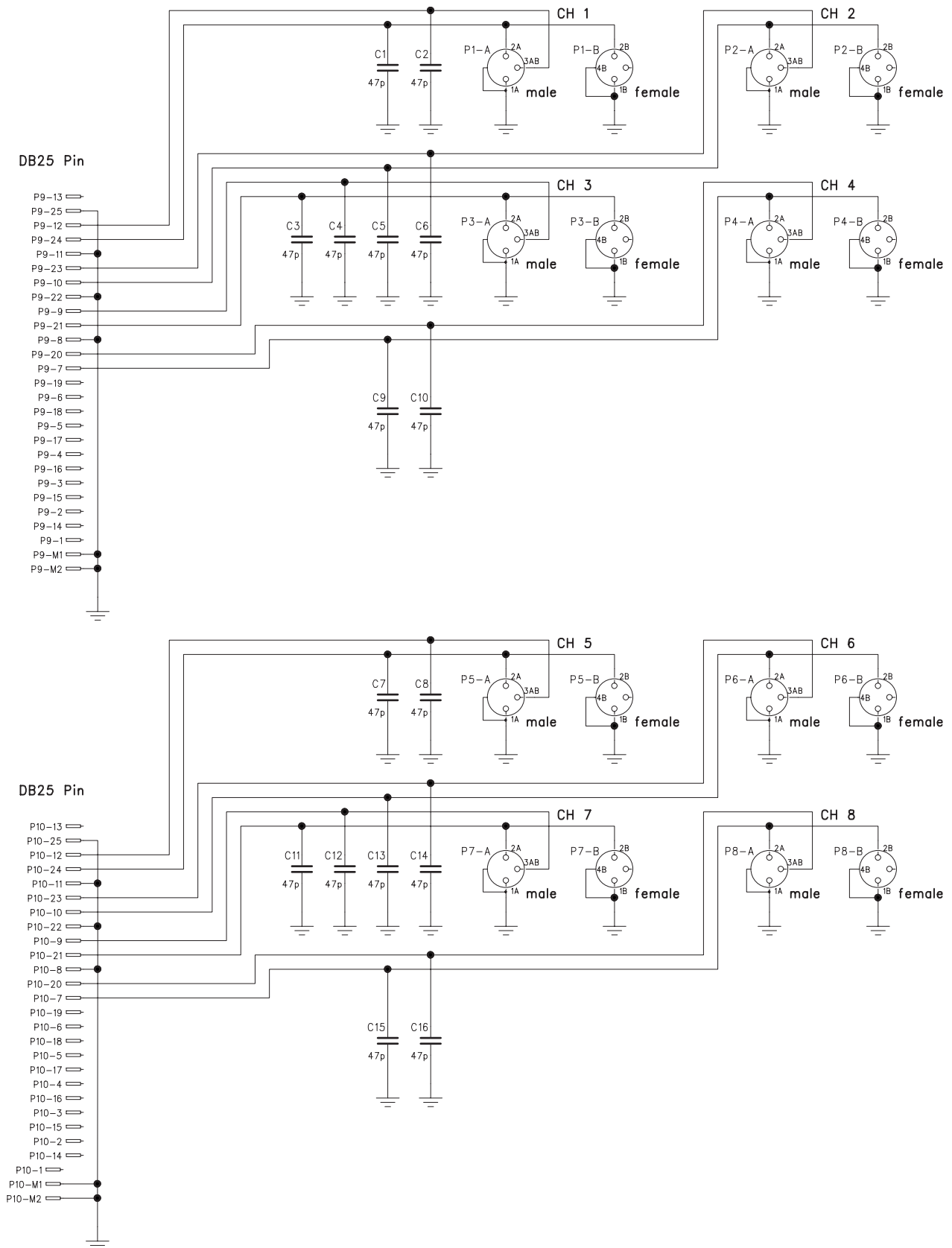
XLR Break-Out PCB 1:8 FM 1.949.583.00 (0)

Idx. Pos.	Part No.	Qty.	Type/Val.	Description	Idx. Pos.	Part No.	Qty.	Type/Val.	Description
0	C 1	not used	1 pce	47p	CER 50V, 5%, COG, 0603				
0	C 2	not used	1 pce	47p	CER 50V, 5%, COG, 0603				
0	C 3	not used	1 pce	47p	CER 50V, 5%, COG, 0603				
0	C 4	not used	1 pce	47p	CER 50V, 5%, COG, 0603				
0	C 5	not used	1 pce	47p	CER 50V, 5%, COG, 0603				
0	C 6	not used	1 pce	47p	CER 50V, 5%, COG, 0603				
0	C 7	not used	1 pce	47p	CER 50V, 5%, COG, 0603				
0	C 8	not used	1 pce	47p	CER 50V, 5%, COG, 0603				
0	C 9	not used	1 pce	47p	CER 50V, 5%, COG, 0603				
0	C 10	not used	1 pce	47p	CER 50V, 5%, COG, 0603				
0	C 11	not used	1 pce	47p	CER 50V, 5%, COG, 0603				
0	C 12	not used	1 pce	47p	CER 50V, 5%, COG, 0603				
0	C 13	not used	1 pce	47p	CER 50V, 5%, COG, 0603				
0	C 14	not used	1 pce	47p	CER 50V, 5%, COG, 0603				
0	C 15	not used	1 pce	47p	CER 50V, 5%, COG, 0603				
0	C 16	not used	1 pce	47p	CER 50V, 5%, COG, 0603				
0	MP 1	1.949.581.11	1 pce		XLR BREAK OUT BOARD 1:8 PCB				
0	MP 2	1.949.583.10	1 pce		Nr. ETIKETTE 5x20				
0	P 1	54.21.2205	1 pce	3p	XLR PCB Winkel lock				
0	P 2	54.21.2205	1 pce	3p	XLR PCB Winkel lock				
0	P 3	54.21.2205	1 pce	3p	XLR PCB Winkel lock				
0	P 4	54.21.2205	1 pce	3p	XLR PCB Winkel lock				
0	P 5	54.21.2202	1 pce	3p	XLR PCB Winkel				
0	P 6	54.21.2202	1 pce	3p	XLR PCB Winkel				
0	P 7	54.21.2202	1 pce	3p	XLR PCB Winkel				
0	P 8	54.21.2202	1 pce	3p	XLR PCB Winkel				
0	P 9	54.13.0073	1 pce	25p	D-Sub, PCB, Winkel				

End of List

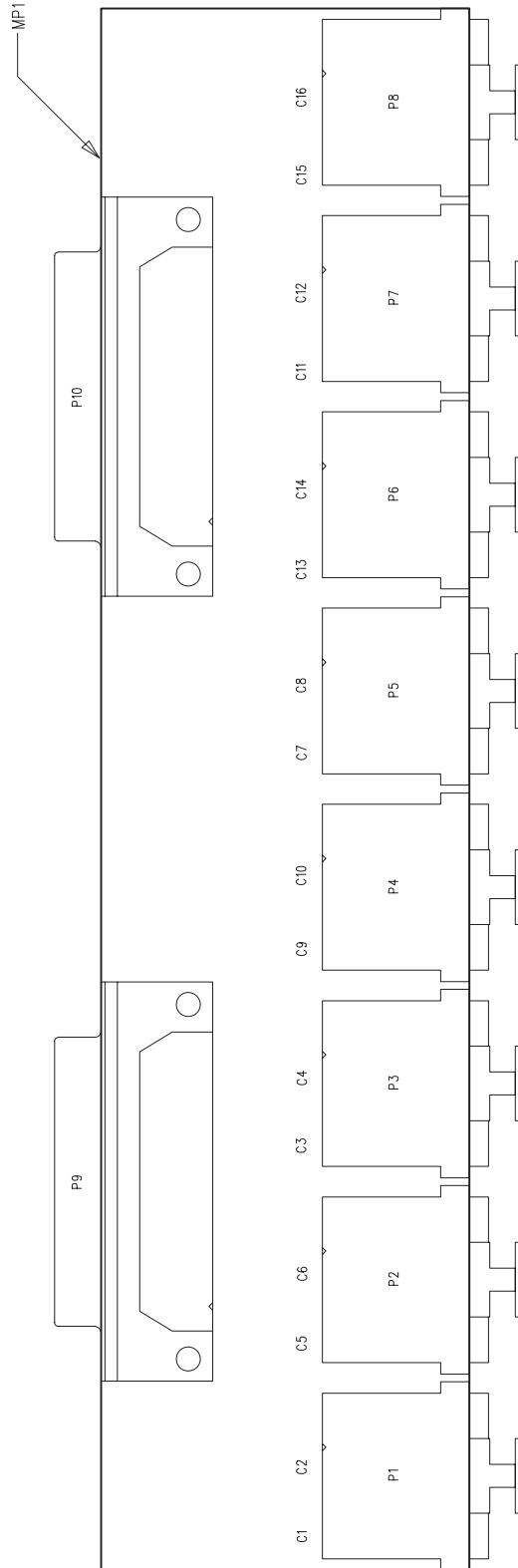
Comments:

XLR Break-Out PCB 2:8 FF 1.949.584.00 (0)



Date:	15.09.2006	AK		
Drawn:				
Checked:				
Index:	0	Page:	1 / 1	
Part No.:	1.949.584.00			

XLR Break-Out PCB 2:8 FF 1.949.584.00 (0)



Date	25.09.2006	Unit	LA	AK	GP
Order	0	Page	1	/	1
Index		Part	1.949.584.00		

XLR Break-Out PCB 2:8 FF 1.949.584.00 (0)

Idx. Pos.	Part No.	Qty.	Type/Val.	Description	Idx. Pos.	Part No.	Qty.	Type/Val.	Description
0	C 1	not used	1 pce	47p	CER 50V, 5%, COG, 0603				
0	C 2	not used	1 pce	47p	CER 50V, 5%, COG, 0603				
0	C 3	not used	1 pce	47p	CER 50V, 5%, COG, 0603				
0	C 4	not used	1 pce	47p	CER 50V, 5%, COG, 0603				
0	C 5	not used	1 pce	47p	CER 50V, 5%, COG, 0603				
0	C 6	not used	1 pce	47p	CER 50V, 5%, COG, 0603				
0	C 7	not used	1 pce	47p	CER 50V, 5%, COG, 0603				
0	C 8	not used	1 pce	47p	CER 50V, 5%, COG, 0603				
0	C 9	not used	1 pce	47p	CER 50V, 5%, COG, 0603				
0	C 10	not used	1 pce	47p	CER 50V, 5%, COG, 0603				
0	C 11	not used	1 pce	47p	CER 50V, 5%, COG, 0603				
0	C 12	not used	1 pce	47p	CER 50V, 5%, COG, 0603				
0	C 13	not used	1 pce	47p	CER 50V, 5%, COG, 0603				
0	C 14	not used	1 pce	47p	CER 50V, 5%, COG, 0603				
0	C 15	not used	1 pce	47p	CER 50V, 5%, COG, 0603				
0	C 16	not used	1 pce	47p	CER 50V, 5%, COG, 0603				
0	MP 1	1.949.584.11	1 pce		XLR BREAK OUT BOARD 2:8 PCB				
0	MP 2	1.949.584.10	1 pce		Nr. ETIKETTE 5x20				
0	P 1	54.21.2205	1 pce	3p	XLR PCB Winkel lock				
0	P 2	54.21.2205	1 pce	3p	XLR PCB Winkel lock				
0	P 3	54.21.2205	1 pce	3p	XLR PCB Winkel lock				
0	P 4	54.21.2205	1 pce	3p	XLR PCB Winkel lock				
0	P 5	54.21.2205	1 pce	3p	XLR PCB Winkel lock				
0	P 6	54.21.2205	1 pce	3p	XLR PCB Winkel lock				
0	P 7	54.21.2205	1 pce	3p	XLR PCB Winkel lock				
0	P 8	54.21.2205	1 pce	3p	XLR PCB Winkel lock				
0	P 9	54.13.0073	1 pce	25p	D-Sub, PCB, Winkel				
0	P 10	54.13.0073	1 pce	25p	D-Sub, PCB, Winkel				

End of List

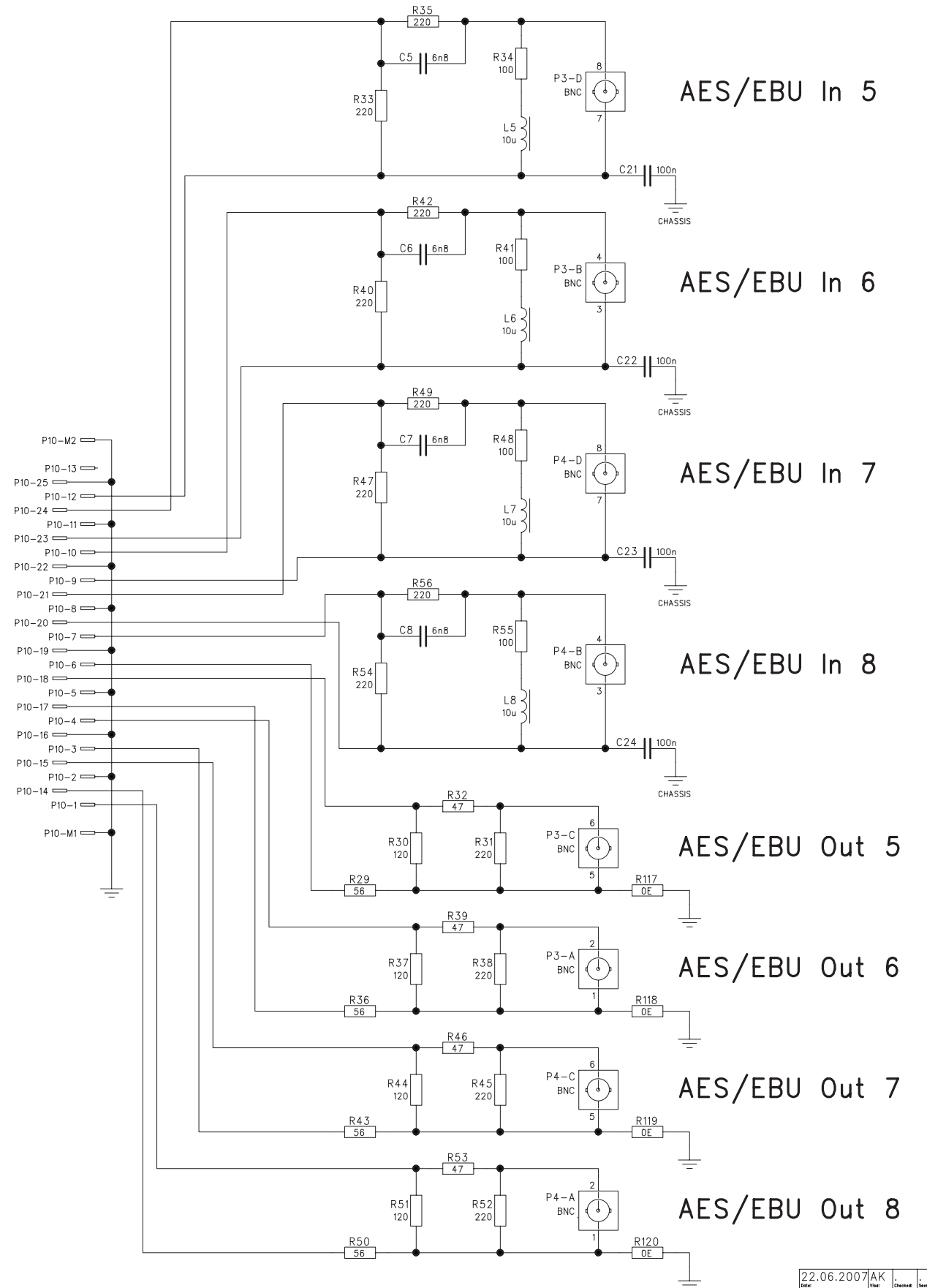
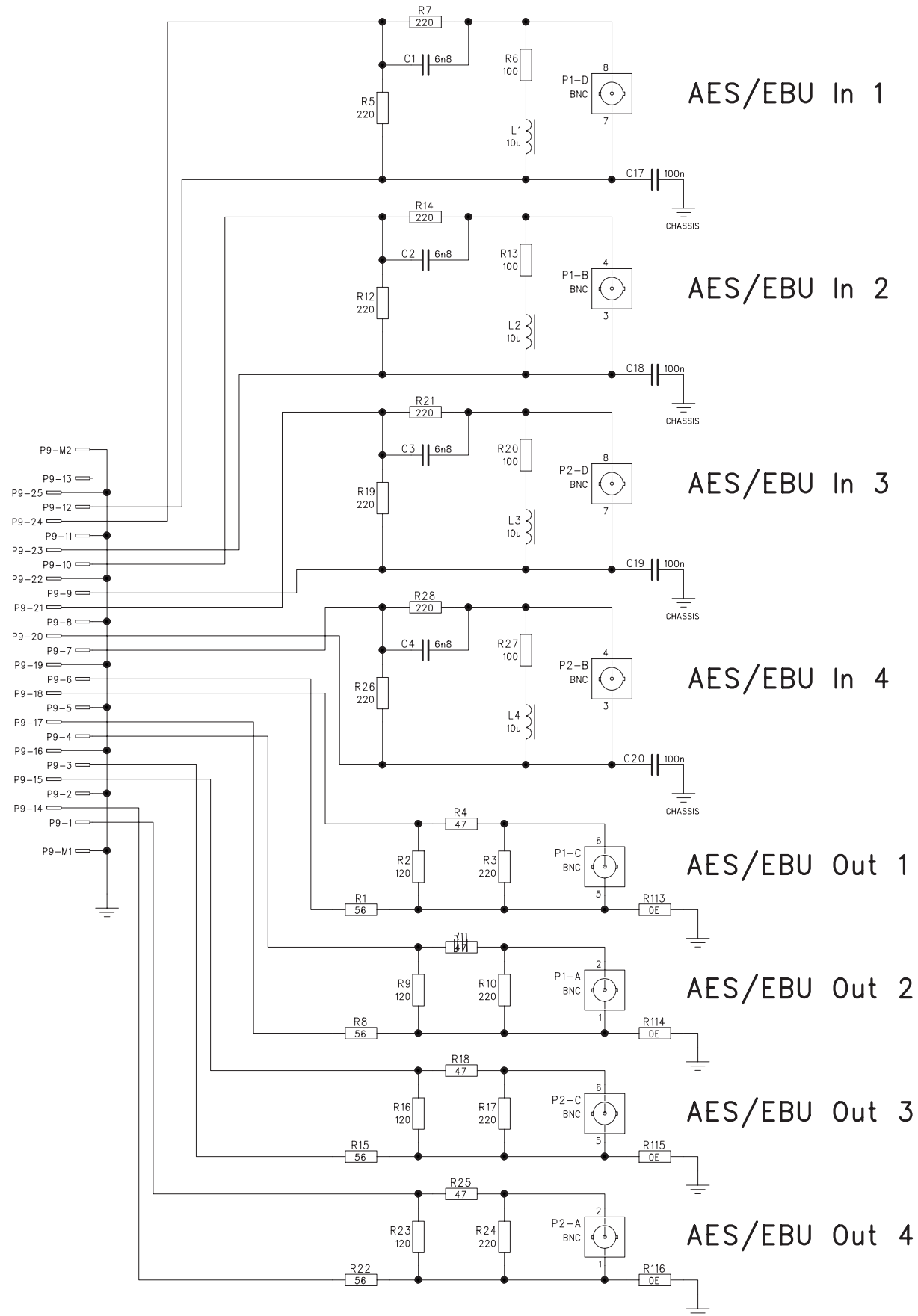
Comments:

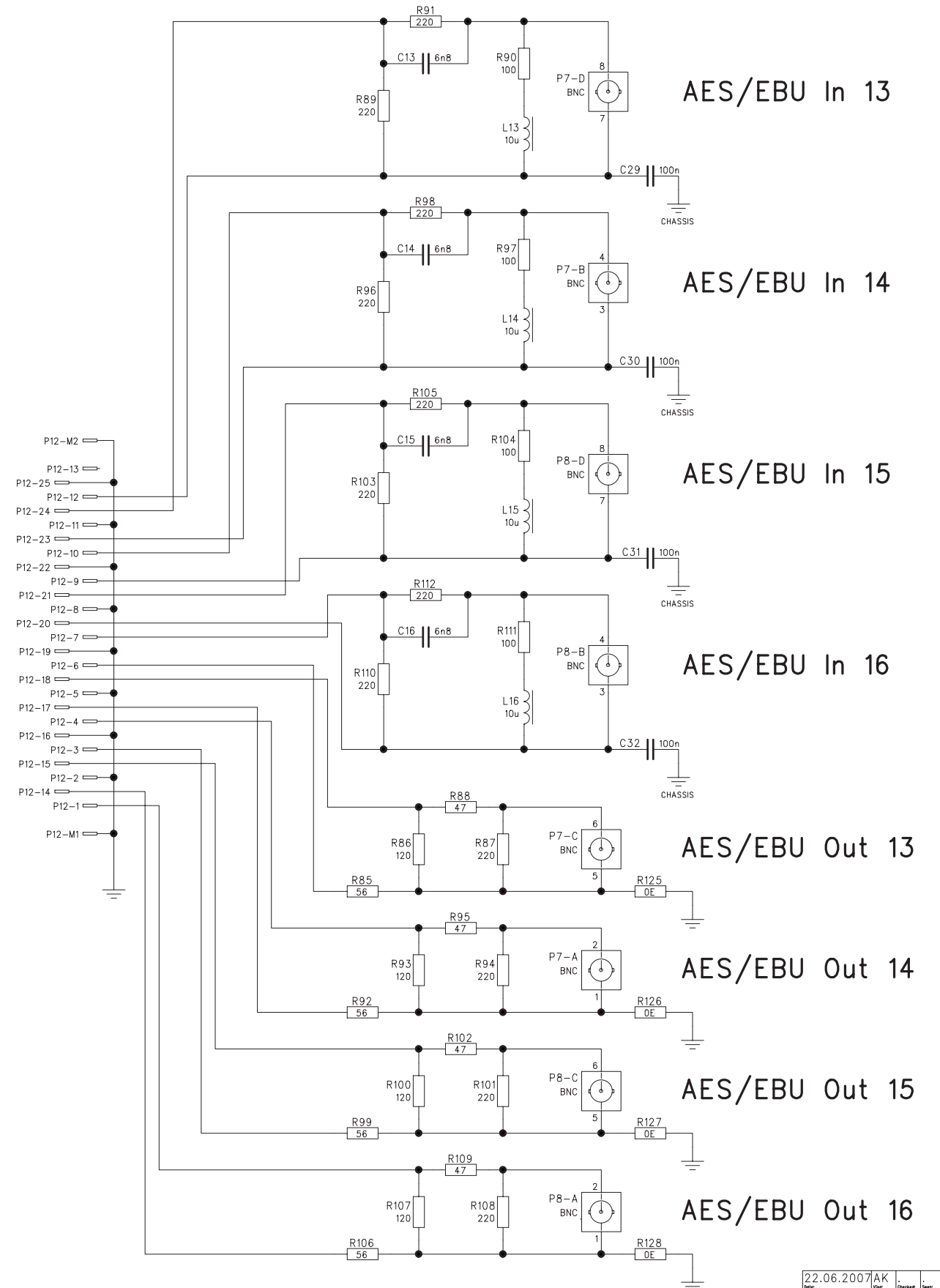
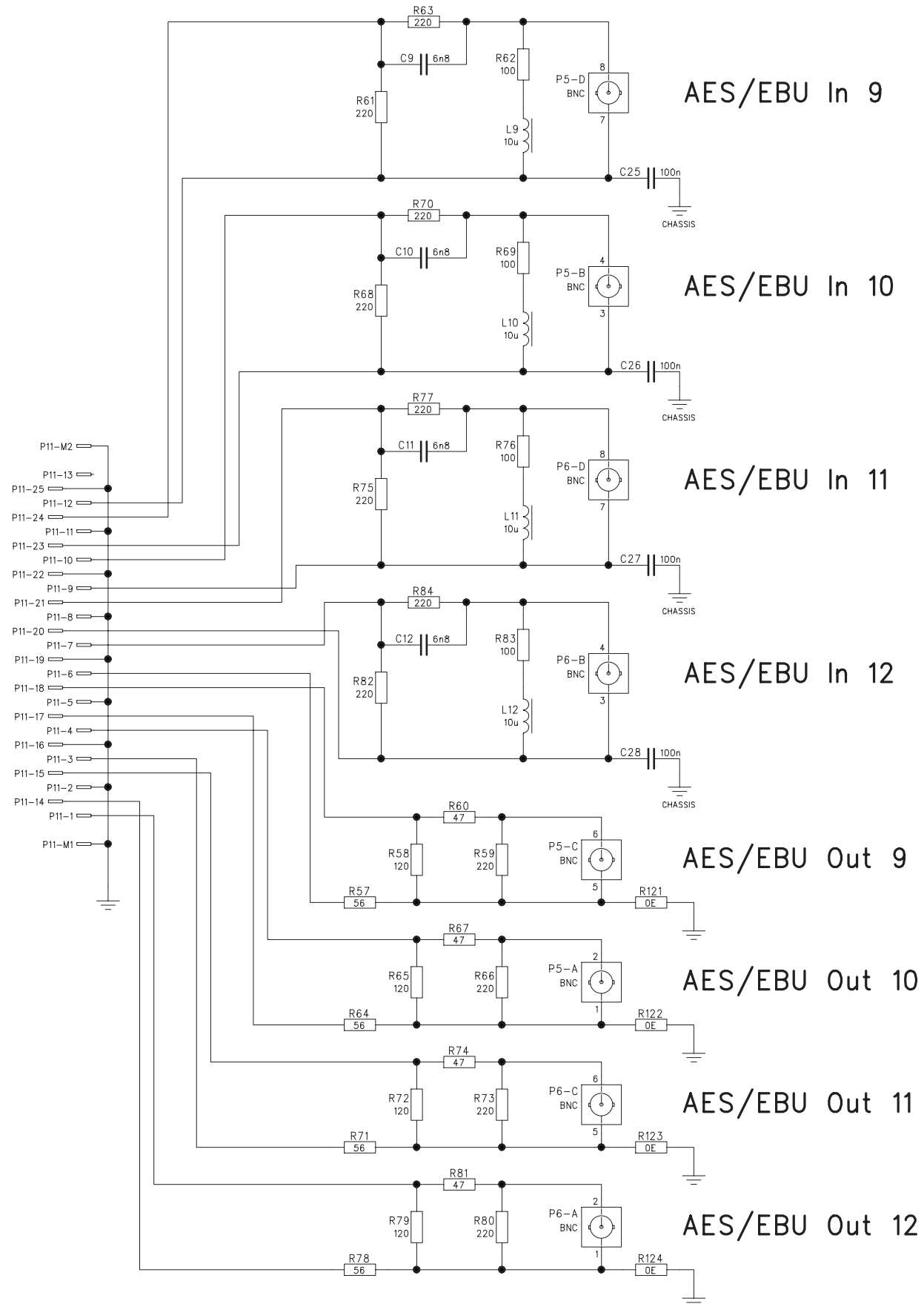
XLR Break-Out PCB 1:4 F 1.949.585.00 (0)

Idx. Pos.	Part No.	Qty.	Type/Val.	Description	Idx. Pos.	Part No.	Qty.	Type/Val.	Description
0	C 1	not used	1 pce	47p	CER 50V, 5%, COG, 0603				
0	C 2	not used	1 pce	47p	CER 50V, 5%, COG, 0603				
0	C 3	not used	1 pce	47p	CER 50V, 5%, COG, 0603				
0	C 4	not used	1 pce	47p	CER 50V, 5%, COG, 0603				
0	C 5	not used	1 pce	47p	CER 50V, 5%, COG, 0603				
0	C 6	not used	1 pce	47p	CER 50V, 5%, COG, 0603				
0	C 7	not used	1 pce	47p	CER 50V, 5%, COG, 0603				
0	C 8	not used	1 pce	47p	CER 50V, 5%, COG, 0603				
0	C 9	not used	1 pce	47p	CER 50V, 5%, COG, 0603				
0	C 10	not used	1 pce	47p	CER 50V, 5%, COG, 0603				
0	C 11	not used	1 pce	47p	CER 50V, 5%, COG, 0603				
0	C 12	not used	1 pce	47p	CER 50V, 5%, COG, 0603				
0	C 13	not used	1 pce	47p	CER 50V, 5%, COG, 0603				
0	C 14	not used	1 pce	47p	CER 50V, 5%, COG, 0603				
0	C 15	not used	1 pce	47p	CER 50V, 5%, COG, 0603				
0	C 16	not used	1 pce	47p	CER 50V, 5%, COG, 0603				
0	MP 1	1.949.584.11	1 pce		XLR BREAK OUT BOARD 2:8 PCB				
0	MP 2	1.949.585.10	1 pce		Nr. ETIKETTE 5x20				
0	P 1	54.21.2205	1 pce	3p	XLR PCB Winkel lock				
0	P 2	54.21.2205	1 pce	3p	XLR PCB Winkel lock				
0	P 3	54.21.2205	1 pce	3p	XLR PCB Winkel lock				
0	P 4	54.21.2205	1 pce	3p	XLR PCB Winkel lock				
0	P 5	not used	1 pce	3p	XLR PCB Winkel lock				
0	P 6	not used	1 pce	3p	XLR PCB Winkel lock				
0	P 7	not used	1 pce	3p	XLR PCB Winkel lock				
0	P 8	not used	1 pce	3p	XLR PCB Winkel lock				
0	P 9	54.13.0073	1 pce	25p	D-Sub, PCB, Winkel				
0	P 10	54.13.0073	1 pce	25p	D-Sub, PCB, Winkel				

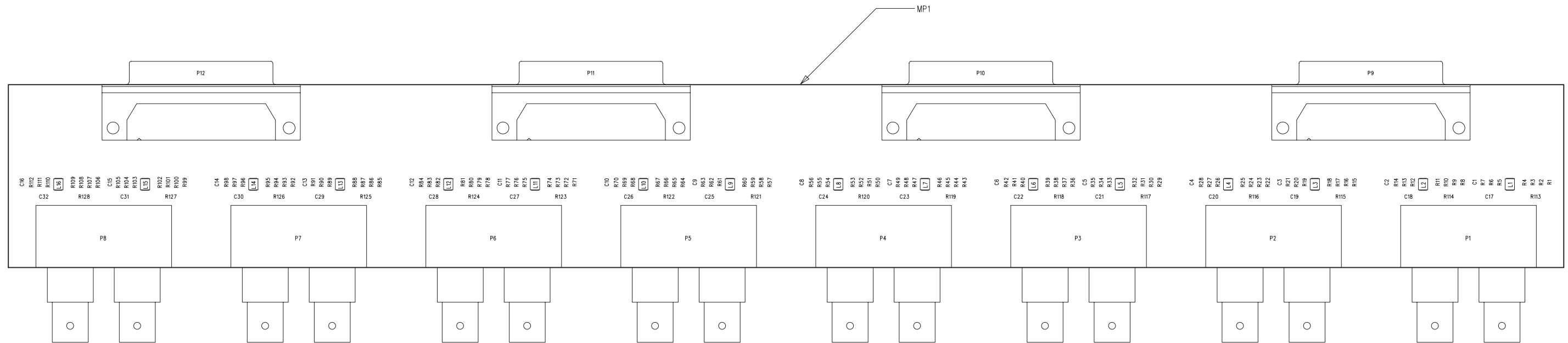
End of List

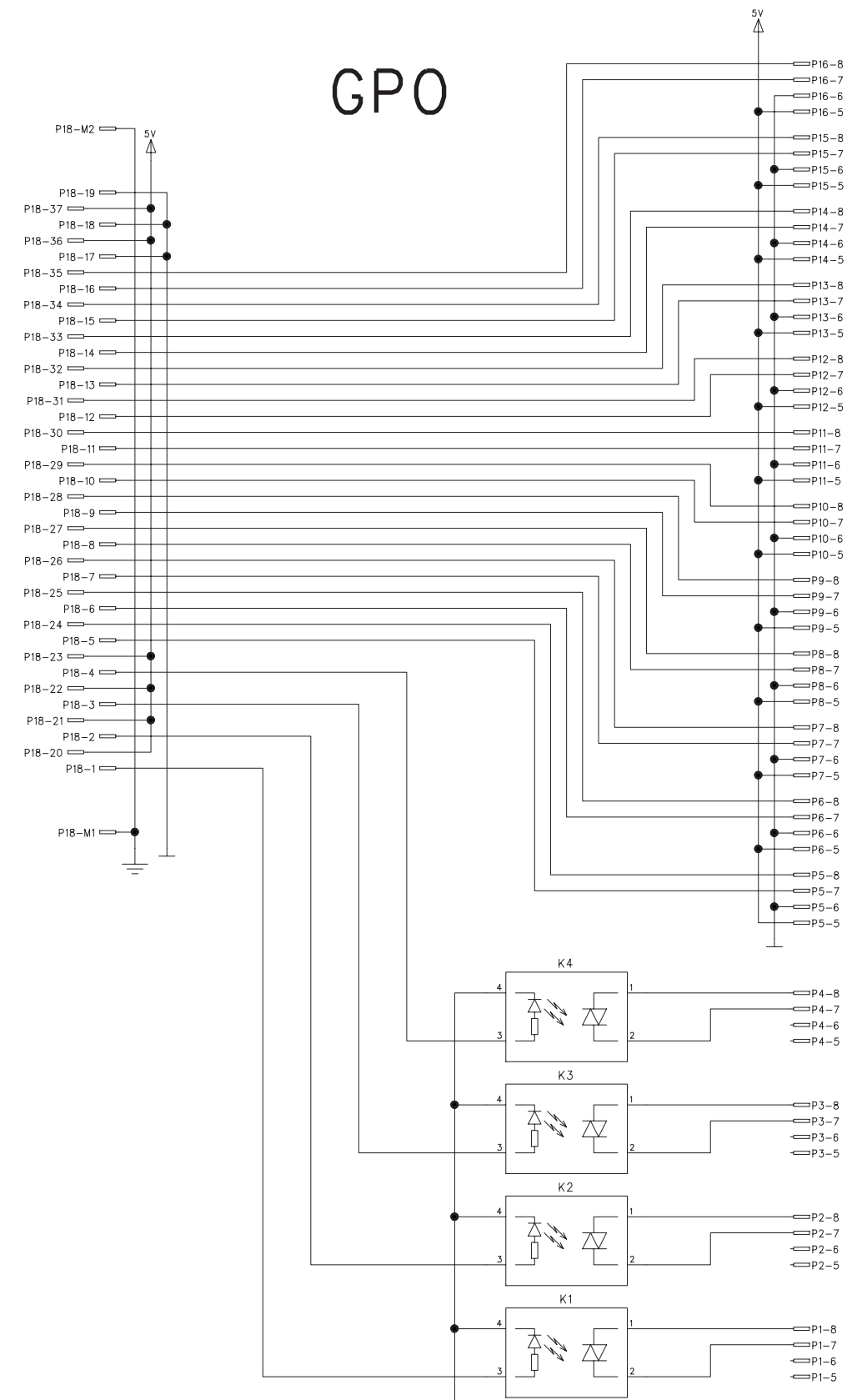
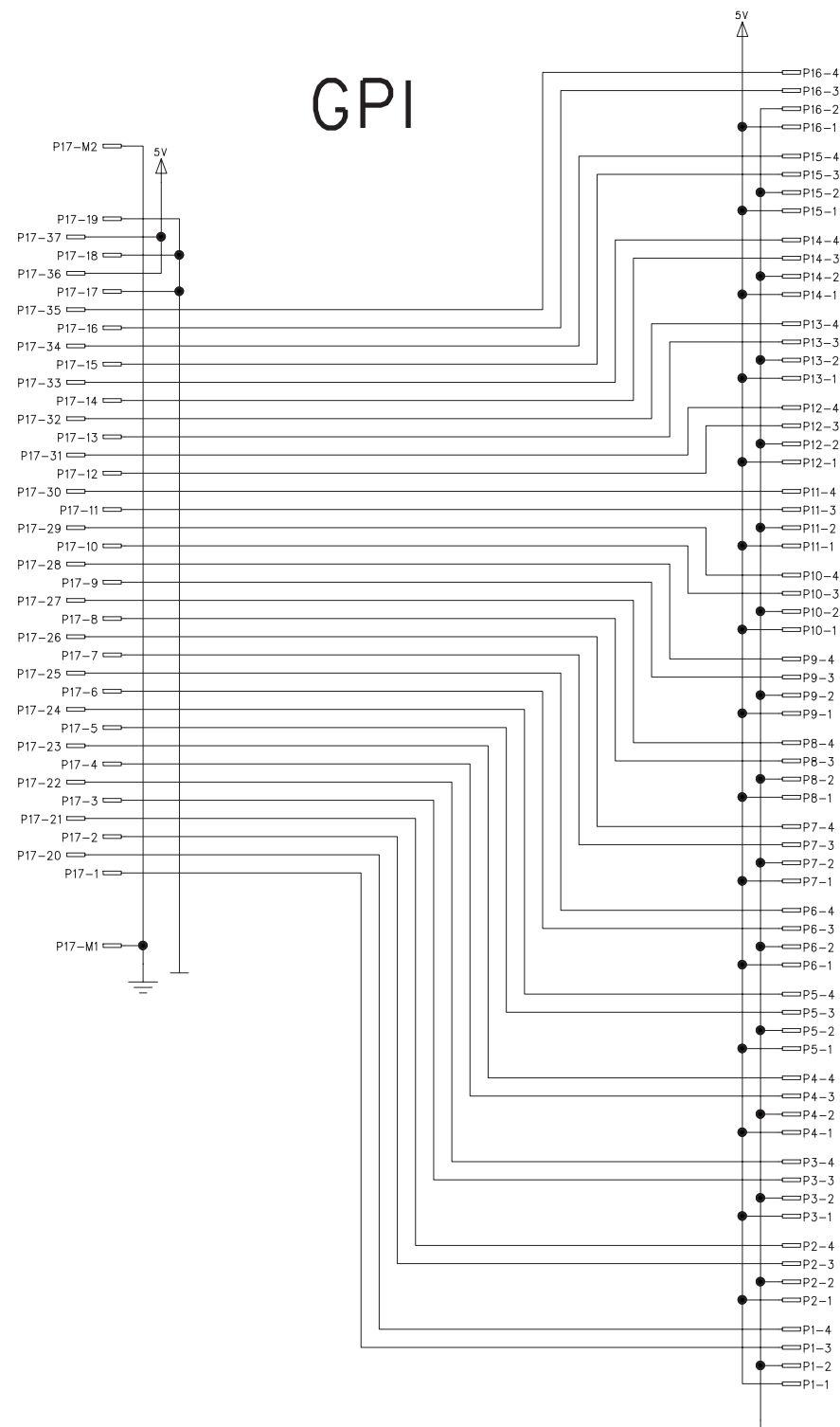
Comments:



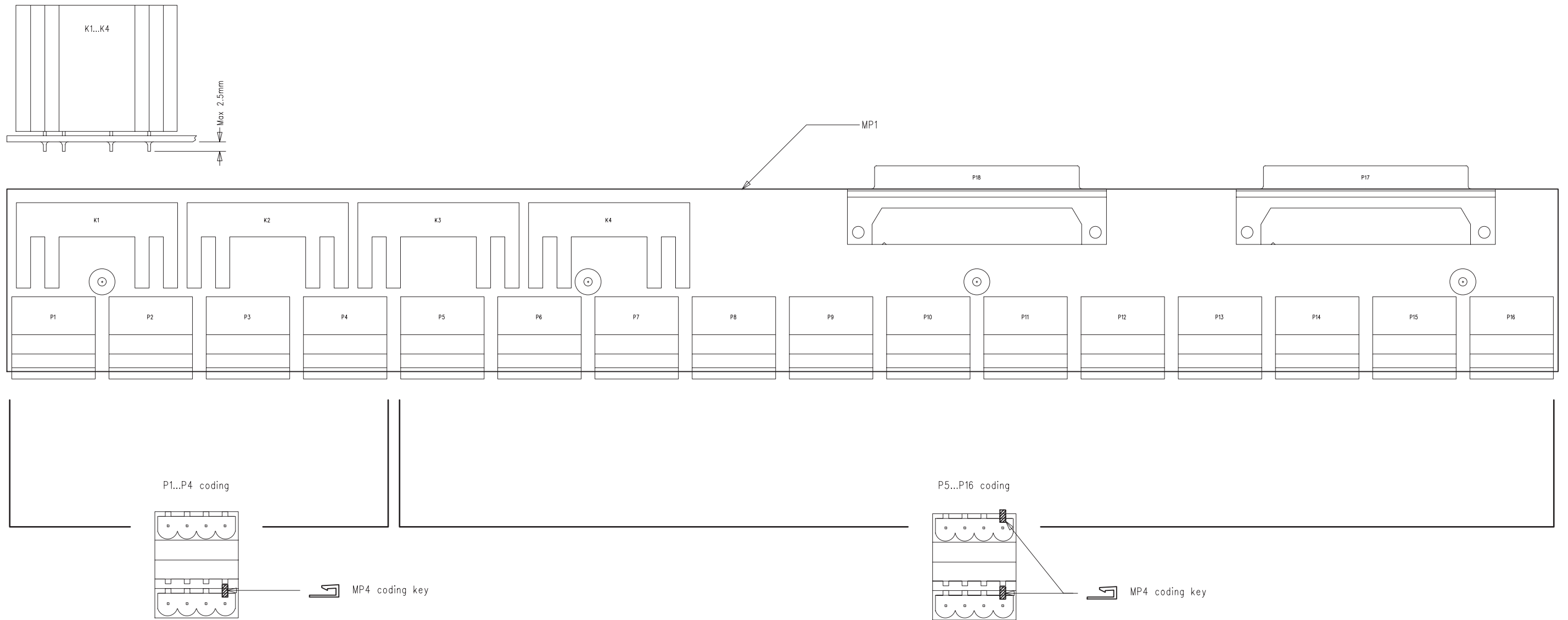


AES/EBU to BNC Break-Out PCB 1.949.587.00 (0)





GPIO Break-Out PCB 1.949.589.00 (0)



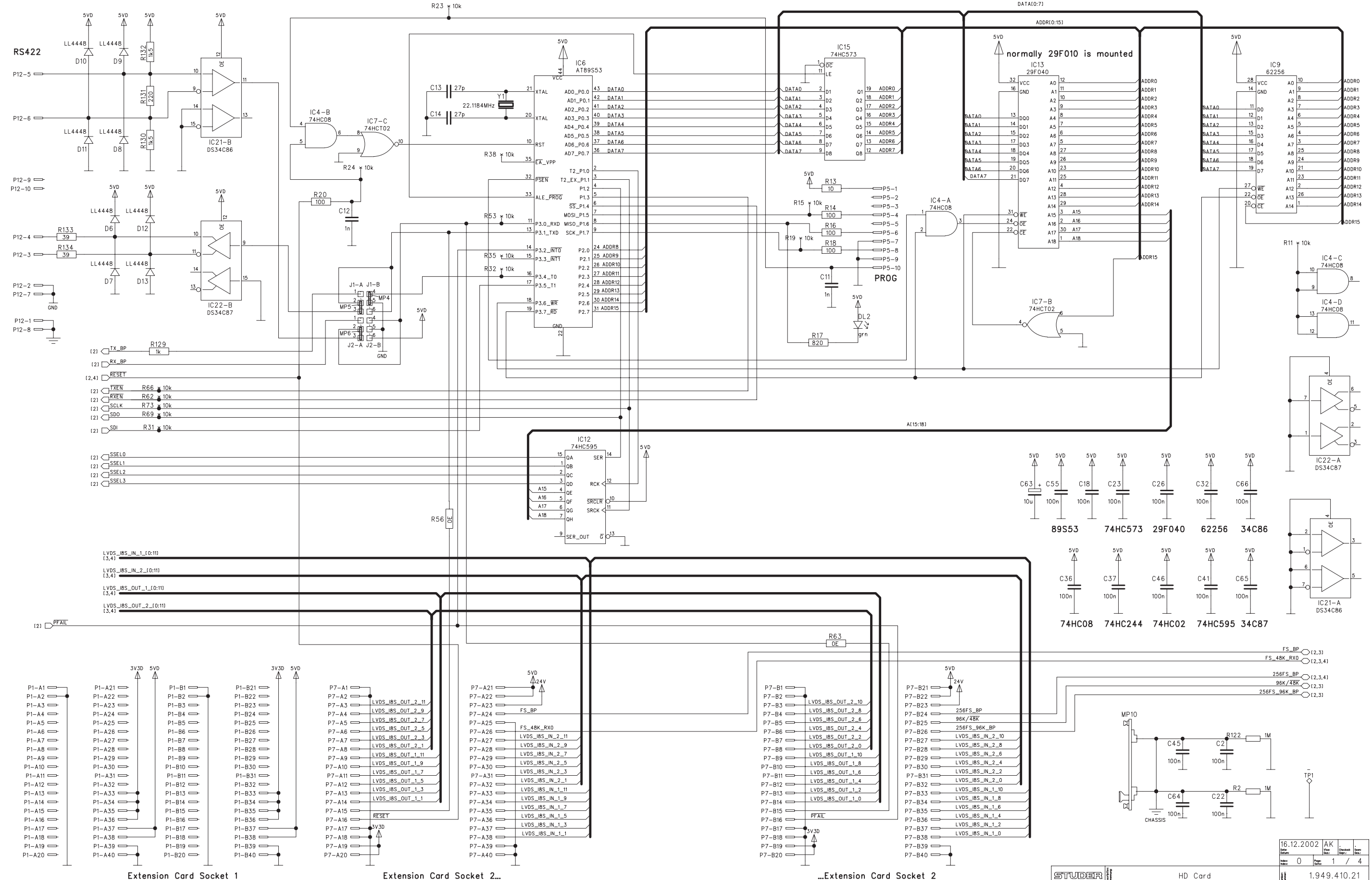
GPIO Break-Out PCB 1.949.589.00 (0)

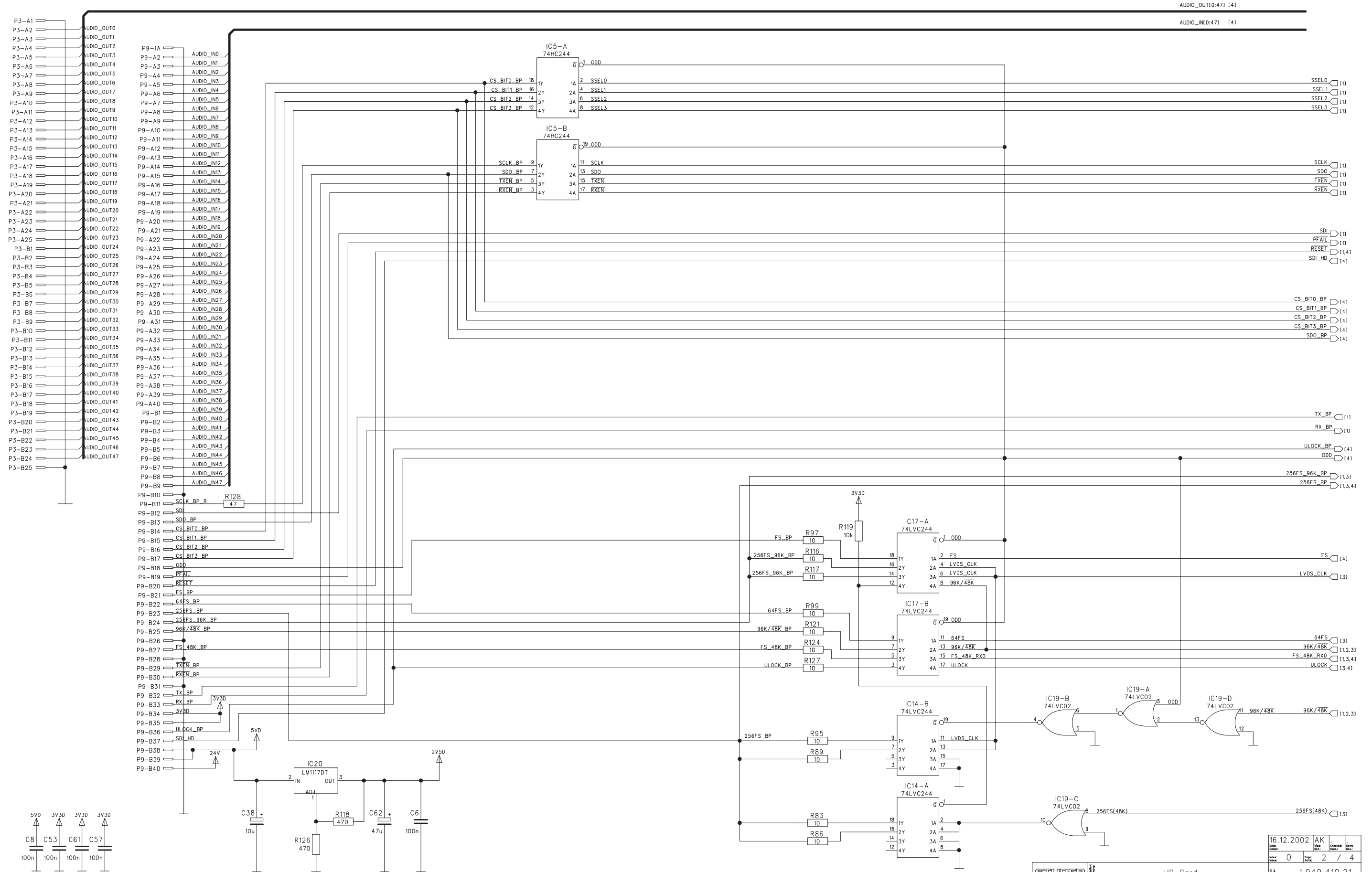
Idx. Pos.	Part No.	Qty.	Type/Val.	Description
0 K 1	56.02.0211	1 pce	240V25A	Solid State Relay, DC contr
0 K 2	56.02.0211	1 pce	240V25A	Solid State Relay, DC contr
0 K 3	56.02.0211	1 pce	240V25A	Solid State Relay, DC contr
0 K 4	56.02.0211	1 pce	240V25A	Solid State Relay, DC contr
0 MP 1	1.949.589.11	1 pce		GPIO BREAK OUT PCB
0 MP 2	1.949.589.10	1 pce		Nr. ETIKETTE 5x20
0 MP 3	43.01.0108	1 pce	Label	ESE-Warnschild
0 MP 4	54.25.1000	28 pcs		Codierung für 54.25.10xx
0 P 1	54.25.1004	1 pce	2*4p	Combicon, 10A, 250V
0 P 2	54.25.1004	1 pce	2*4p	Combicon, 10A, 250V
0 P 3	54.25.1004	1 pce	2*4p	Combicon, 10A, 250V
0 P 4	54.25.1004	1 pce	2*4p	Combicon, 10A, 250V
0 P 5	54.25.1004	1 pce	2*4p	Combicon, 10A, 250V
0 P 6	54.25.1004	1 pce	2*4p	Combicon, 10A, 250V
0 P 7	54.25.1004	1 pce	2*4p	Combicon, 10A, 250V
0 P 8	54.25.1004	1 pce	2*4p	Combicon, 10A, 250V
0 P 9	54.25.1004	1 pce	2*4p	Combicon, 10A, 250V
0 P 10	54.25.1004	1 pce	2*4p	Combicon, 10A, 250V
0 P 11	54.25.1004	1 pce	2*4p	Combicon, 10A, 250V
0 P 12	54.25.1004	1 pce	2*4p	Combicon, 10A, 250V
0 P 13	54.25.1004	1 pce	2*4p	Combicon, 10A, 250V
0 P 14	54.25.1004	1 pce	2*4p	Combicon, 10A, 250V
0 P 15	54.25.1004	1 pce	2*4p	Combicon, 10A, 250V
0 P 16	54.25.1004	1 pce	2*4p	Combicon, 10A, 250V
0 P 17	54.13.0074	1 pce	37p	D-Sub, PCB, Winkel
0 P 18	54.13.0074	1 pce	37p	D-Sub, PCB, Winkel

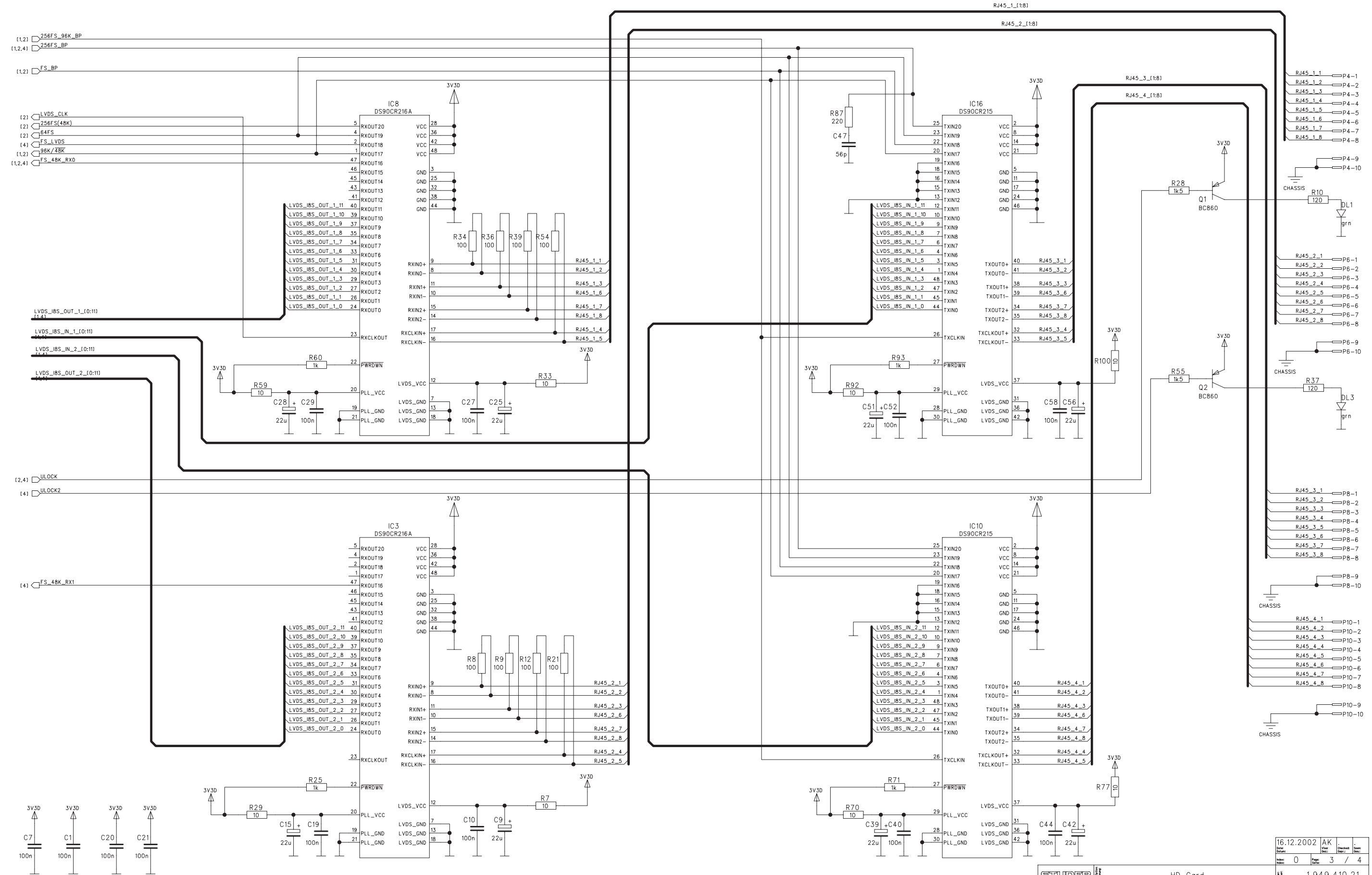
Idx. Pos.	Part No.	Qty.	Type/Val.	Description
-----------	----------	------	-----------	-------------

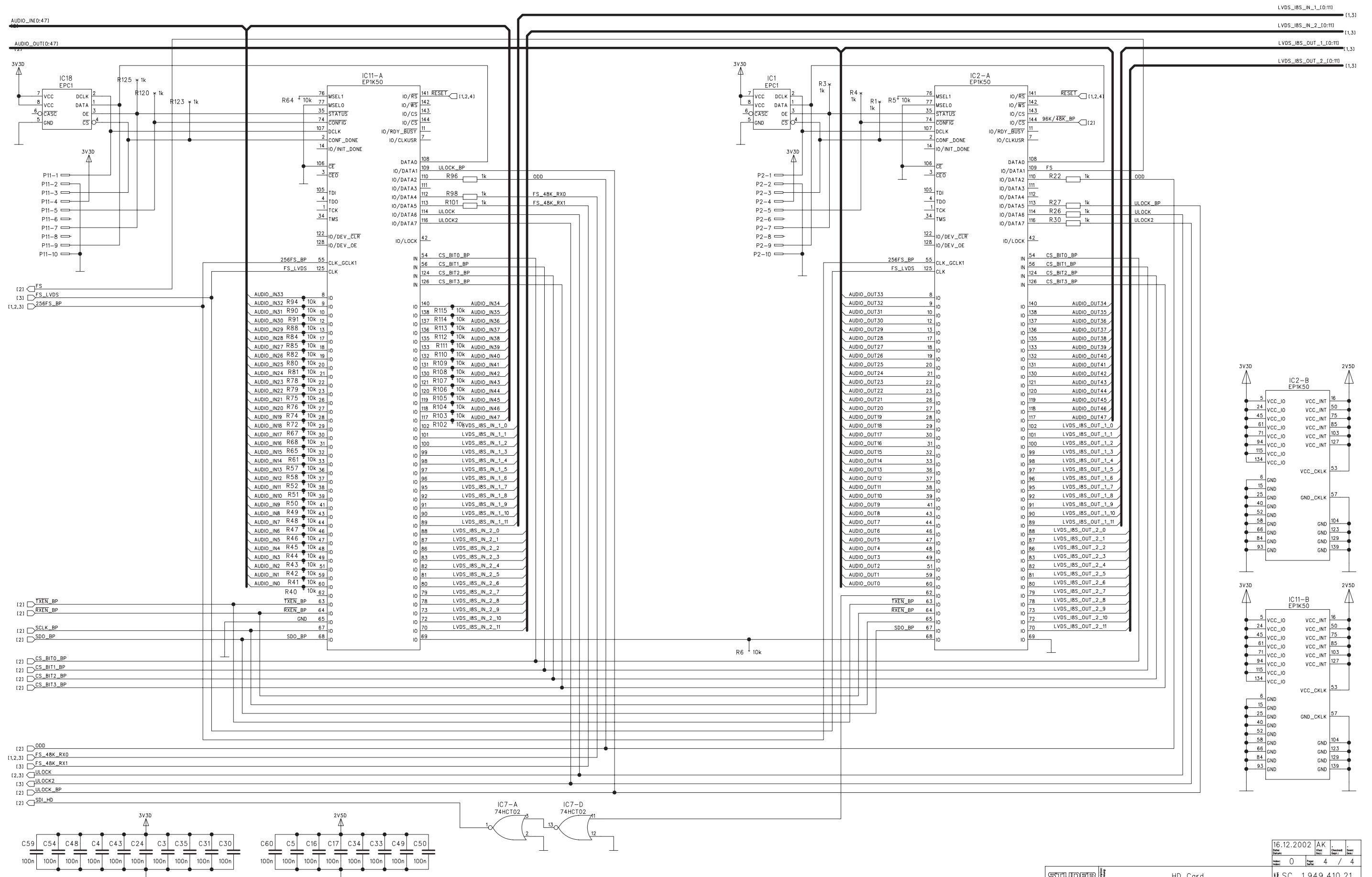
End of List

Comments:

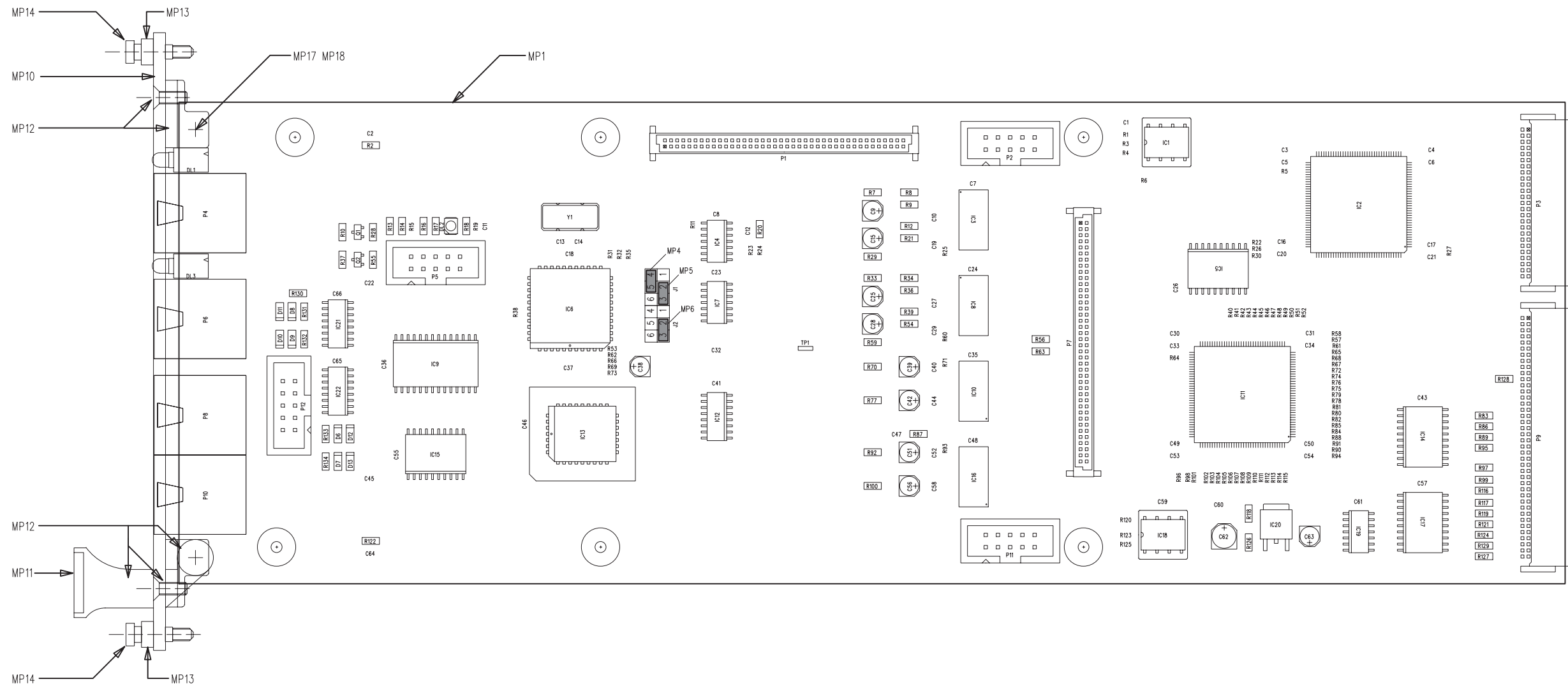








HD Card 1.949.410.25 (0) (not available for new systems)



16.12.2002	ZT	ML	HW
0	1	1	1

HD Card 1.949.410.25 (0) (not available for new systems!)

Idx. Pos.	Part No.	Qty.	Type/Val.	Description	Idx. Pos.	Part No.	Qty.	Type/Val.	Description
0	R 86	57.60.1100	1 pce	10R	MF, 1%, 0204, E24				
0	R 87	not used	1 pce	10R	MF, 1%, 0204, E24				
0	R 88	57.69.1097	1 pce	10k	CF 5% 0603				
0	R 89	57.60.1100	1 pce	10R	MF, 1%, 0204, E24				
0	R 90	57.69.1097	1 pce	10k	CF 5% 0603				
0	R 91	57.69.1097	1 pce	10k	CF 5% 0603				
0	R 92	57.60.1100	1 pce	10R	MF, 1%, 0204, E24				
0	R 93	57.69.1073	1 pce	1k0	CF 5% 0603				
0	R 94	57.69.1097	1 pce	10k	CF 5% 0603				
0	R 95	57.60.1100	1 pce	10R	MF, 1%, 0204, E24				
0	R 96	57.69.1073	1 pce	1k0	CF 5% 0603				
0	R 97	57.60.1100	1 pce	10R	MF, 1%, 0204, E24				
0	R 98	57.69.1073	1 pce	1k0	CF 5% 0603				
0	R 99	57.60.1100	1 pce	10R	MF, 1%, 0204, E24				
0	R 100	57.60.1100	1 pce	10R	MF, 1%, 0204, E24				
0	R 101	57.69.1073	1 pce	1k0	CF 5% 0603				
0	R 102	57.69.1097	1 pce	10k	CF 5% 0603				
0	R 103	57.69.1097	1 pce	10k	CF 5% 0603				
0	R 104	57.69.1097	1 pce	10k	CF 5% 0603				
0	R 105	57.69.1097	1 pce	10k	CF 5% 0603				
0	R 106	57.69.1097	1 pce	10k	CF 5% 0603				
0	R 107	57.69.1097	1 pce	10k	CF 5% 0603				
0	R 108	57.69.1097	1 pce	10k	CF 5% 0603				
0	R 109	57.69.1097	1 pce	10k	CF 5% 0603				
0	R 110	57.69.1097	1 pce	10k	CF 5% 0603				
0	R 111	57.69.1097	1 pce	10k	CF 5% 0603				
0	R 112	57.69.1097	1 pce	10k	CF 5% 0603				
0	R 113	57.69.1097	1 pce	10k	CF 5% 0603				
0	R 114	57.69.1097	1 pce	10k	CF 5% 0603				
0	R 115	57.69.1097	1 pce	10k	CF 5% 0603				
0	R 116	57.60.1100	1 pce	10R	MF, 1%, 0204, E24				
0	R 117	not used	1 pce	10R	MF, 1%, 0204, E24				
0	R 118	57.60.1471	1 pce	470R	MF, 1%, 0204, E24				
0	R 119	57.60.1100	1 pce	10R	MF, 1%, 0204, E24				
0	R 120	57.69.1073	1 pce	1k0	CF 5% 0603				
0	R 121	57.60.1100	1 pce	10R	MF, 1%, 0204, E24				
0	R 122	57.60.1105	1 pce	1M0	MF, 1%, 0204, E24				
0	R 123	57.69.1073	1 pce	1k0	CF 5% 0603				
0	R 124	57.60.1100	1 pce	10R	MF, 1%, 0204, E24				
0	R 125	57.69.1073	1 pce	1k0	CF 5% 0603				
0	R 126	57.60.1471	1 pce	470R	MF, 1%, 0204, E24				
0	R 127	57.60.1100	1 pce	10R	MF, 1%, 0204, E24				
0	R 128	57.60.1470	1 pce	47R	MF, 1%, 0204, E24				
0	R 129	57.60.1102	1 pce	1k0	MF, 1%, 0204, E24				
0	R 131	57.69.1025	1 pce	10R	CF 5% 0603				
0	R 132	not used	1 pce	10R	CF 5% 0603				
0	R 133	57.69.1097	1 pce	10k	CF 5% 0603				
0	R 134	not used	1 pce	10R	MF, 1%, 0204, E24				
0	R 135	57.60.1101	1 pce	100R	MF, 1%, 0204, E24				
0	R 136	not used	1 pce	10R	MF, 1%, 0204, E24				
0	R 137	57.69.1073	1 pce	1k0	CF 5% 0603				
0	R 138	57.60.1100	1 pce	10R	MF, 1%, 0204, E24				
0	R 139	57.60.1100	1 pce	10R	MF, 1%, 0204, E24				
0	R 140	57.60.1470	1 pce	47R	MF, 1%, 0204, E24				
0	R 194	57.60.1102	1 pce	1k0	MF, 1%, 0204, E24				
0	R 204	57.69.1097	1 pce	10k	CF 5% 0603				
0	R 623	57.60.1471	1 pce	470R	MF, 1%, 0204, E24				
0	S 1	55.60.0104	1 pce	4p	SMD DIL-Switch				
0	TP 1	not used	1 pce	2.8*0.8	PCB-Flachstecker, gerade				
0	XIC 1	53.03.0166	1 pce	8p	DIL-socket 0.3"				
0	XIC 13	53.03.2232	1 pce	32p	PLCC-Socket				
0	XIC 18	53.03.0166	1 pce	8p	DIL-socket 0.3"				
0	Y 1	89.60.1004	1 pce	22.1184MHz	SMD Quartz				

End of List

Comments:

(25) IC1 1.949.965.25 -> 1.949.965.26
 IC18 1.949.966.23 -> 1.949.966.24
 MP1 1.949.412-11->1.949.412.12