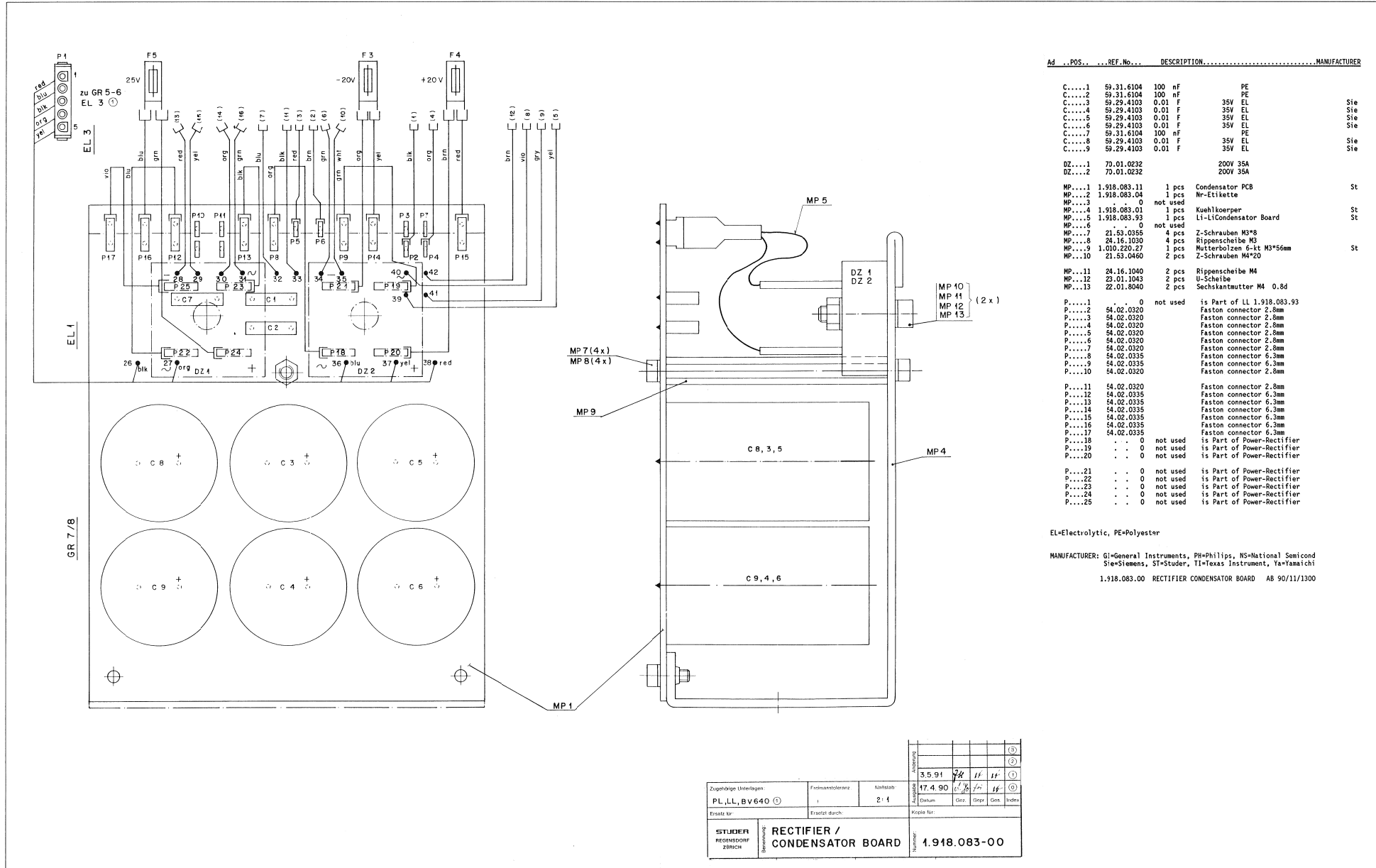


RECTIFIER/CONDENSATOR BOARD

1.918.083.00



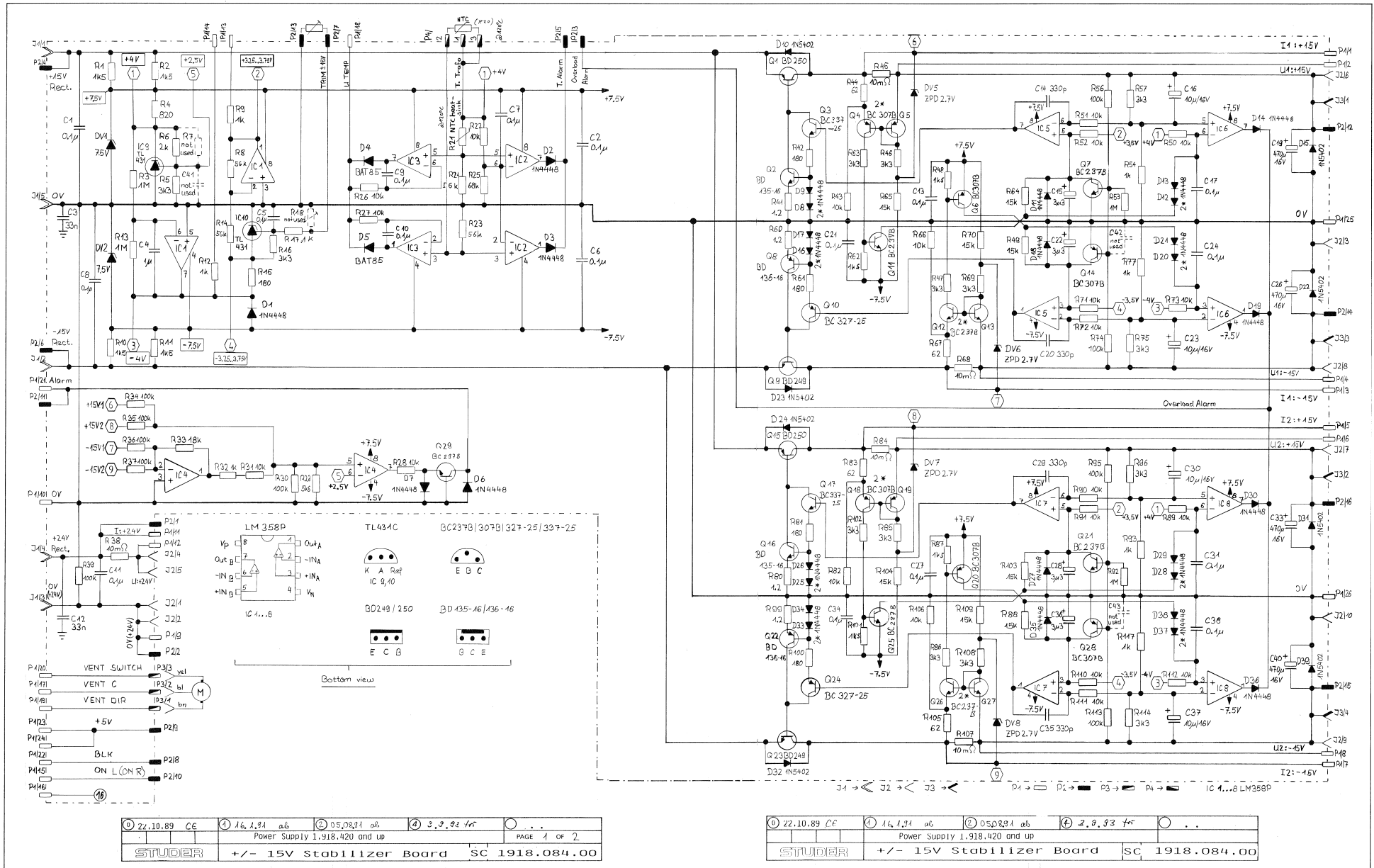
Ad	..POS..	..REF.No..	DESCRIPTION	MANUFACTURER
C....1	59.31.6104	100 nF	PE	
C....2	59.31.6104	100 nF	PE	
C....3	59.29.4103	0.01 F	35V EL	Sie
C....4	59.29.4103	0.01 F	35V EL	Sie
C....5	59.29.4103	0.01 F	35V EL	Sie
C....6	59.29.4103	0.01 F	35V EL	Sie
C....7	59.31.6104	100 nF	PE	
C....8	59.29.4103	0.01 F	35V EL	Sie
C....9	59.29.4103	0.01 F	35V EL	Sie
DZ....1	70.01.0232		200V 35A	
DZ....2	70.01.0232		200V 35A	
MP....1	1.918.083.11	1 pcs	Condensator PCB	St
MP....2	1.918.083.04	1 pcs	Nr-Etikette	
MP....3	0	not used		
MP....4	1.918.083.01	1 pcs	Kühlkörper	St
MP....5	1.918.083.93	1 pcs	Li-Li Condensator Board	St
MP....6	0	not used		
MP....7	21.53.0355	4 pcs	Z-Schrauben M3*8	
MP....8	20.16.1030	4 pcs	Rippscheibe M3	
MP....9	1.010.220.27	1 pcs	Mutterbolzen 6-kt M3*56mm	St
MP....10	21.53.0460	2 pcs	Z-Schrauben M4*20	
MP....11	24.16.1040	2 pcs	Rippscheibe M4	
MP....12	23.01.1043	2 pcs	U-Scheibe	
MP....13	22.01.8040	2 pcs	Sechskantmutter M4 0.8d	
P....1	0	not used	is Part of LL 1.918.083.93	
P....2	54.02.0320		Faston connector 2.8mm	
P....3	54.02.0320		Faston connector 2.8mm	
P....4	54.02.0320		Faston connector 2.8mm	
P....5	54.02.0320		Faston connector 2.8mm	
P....6	54.02.0320		Faston connector 2.8mm	
P....7	54.02.0320		Faston connector 2.8mm	
P....8	54.02.0335		Faston connector 6.3mm	
P....9	54.02.0335		Faston connector 6.3mm	
P....10	54.02.0320		Faston connector 2.8mm	
P....11	54.02.0320		Faston connector 2.8mm	
P....12	54.02.0335		Faston connector 6.3mm	
P....13	54.02.0335		Faston connector 6.3mm	
P....14	54.02.0335		Faston connector 6.3mm	
P....15	54.02.0335		Faston connector 6.3mm	
P....16	54.02.0335		Faston connector 6.3mm	
P....17	54.02.0335		Faston connector 6.3mm	
P....18	0	not used	is Part of Power-Rectifier	
P....19	0	not used	is Part of Power-Rectifier	
P....20	0	not used	is Part of Power-Rectifier	
P....21	0	not used	is Part of Power-Rectifier	
P....22	0	not used	is Part of Power-Rectifier	
P....23	0	not used	is Part of Power-Rectifier	
P....24	0	not used	is Part of Power-Rectifier	
P....25	0	not used	is Part of Power-Rectifier	

EL=Electrolytic, PE=Polyester
 MANUFACTURER: GI=General Instruments, PH=Philips, NS=National Semicond
 Sie=Siemens, ST=Studer, TI=Texas Instrument, Ya=Yamaha
 1.918.083.00 RECTIFIER CONDENSATOR BOARD AB 90/11/1300

Zugehörige Unterlagen:	Frühjahrstoleranz:	Anzahl:	
PL, LL, BV640	1	21	
Ersatz Nr.	Ersatz durch:	Kopie für:	
STUDER RECHENWERK ZÜRICH	RECTIFIER / CONDENSATOR BOARD	1.918.083-00	

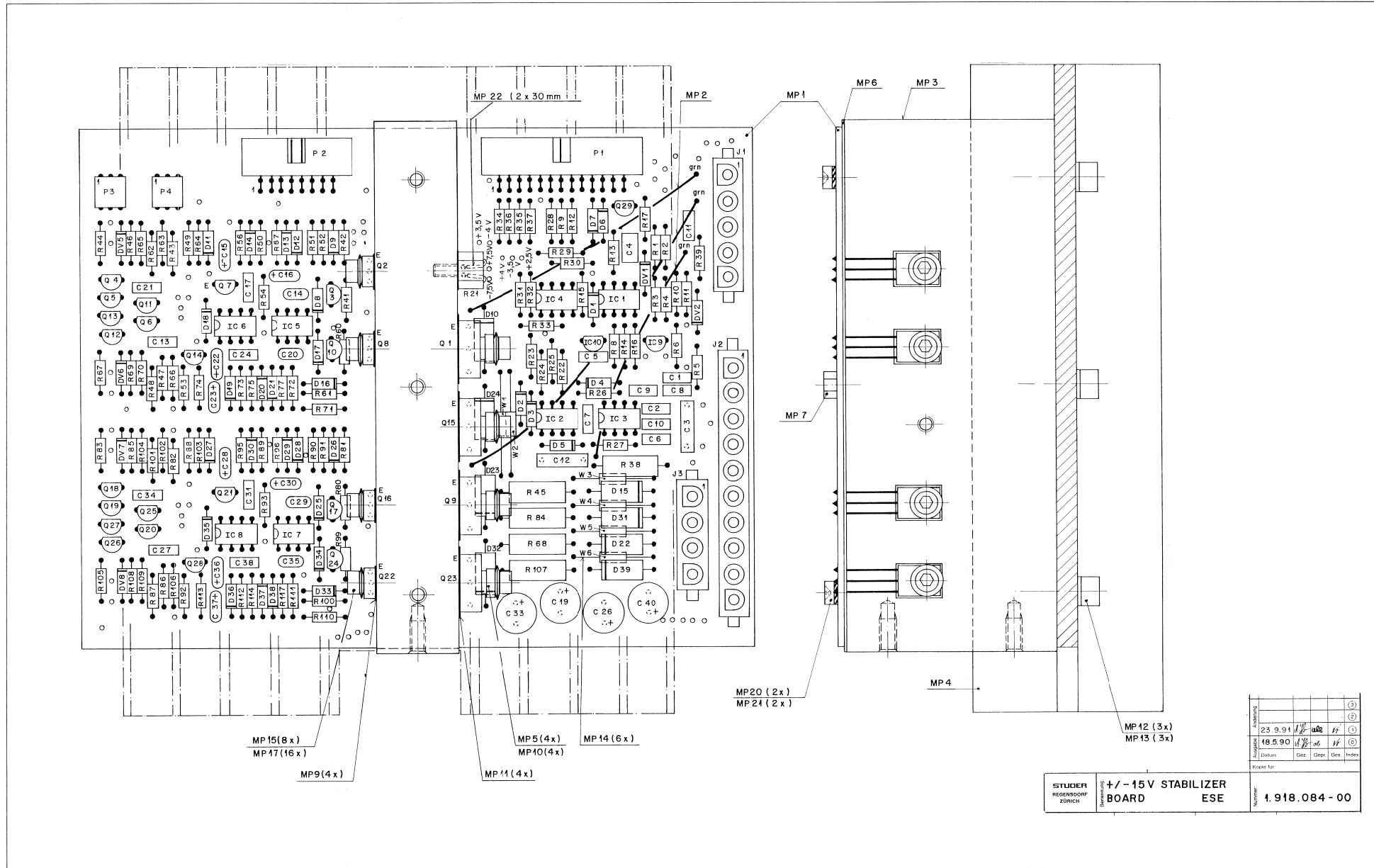
+/-15V STABILIZER BOARD

1.918.084.00



±15V STABILIZER BOARD ESE

1.918.084.00



Author					
23.9.91					
18.5.90					
Datums	Gez.	Gepr.	Des	Index	

STUDER
REGENSDORF
ZÜRICH

**+/- 15V STABILIZER
BOARD
ESE**

1.918.084-00



±15V STABILIZER BOARD

1.918.084.00

Ad	POS.	REF.No.	DESCRIPTION	MANUFACTURER	Ad	POS.	REF.No.	DESCRIPTION	MANUFACTURER	
C.....1		59.06.0104	100 nF	PE						
C.....2		59.06.0104	100 nF	PE	J.....1	54.25.0005	5PIN	Power-Connector		
C.....3		59.31.8333	33 nF	400V PE	J.....2	54.25.0010	10PIN	Power-Connector		
C.....4		59.06.0105	1 uF	PE	J.....3	54.25.0004	4PIN	Power-Connector		
C.....5		59.06.0104	100 nF	PE	MP.....1	1.918.084.11	1 pcs	Print	St	
C.....6		59.06.0104	100 nF	PE	MP.....2	1.918.084.93	1 pcs	Litzenliste	St	
C.....7		59.06.0104	100 nF	PE	MP.....3	1.918.084.01	1 pcs	Kuehlprofiltraeger	St	
C.....8		59.06.0104	100 nF	PE	MP.....4	1.918.084.02	1 pcs	Kuehlprofil	St	
C.....9		59.06.0104	100 nF	PE	MP.....5	1.010.098.27	4 pcs	Isolierunterlage	St	
C.....10		59.06.0104	100 nF	PE	MP.....6	1.918.084.03	1 pcs	Isolierunterlage	St	
					MP.....7	1.010.013.22	1 pcs	Nietmuttern M3*3mm	St	
C.....11		59.06.0104	100 nF	PE	MP.....8	43.01.0108	1 pcs	ESE Warnschild		
C.....12		59.31.8333	33 nF	400V PE	MP.....9	50.20.0317	4 pcs	Glimmer TO 218		
C.....13		59.06.0104	100 nF	PE	MP.....10	50.20.0404	4 pcs	Durchfuehrung		
C.....14		59.34.4331	330 pF	CER						
C.....15		59.26.2339	3.3uF	16V SAL						
C.....16		59.26.2100	10 uF	16V SAL	MP.....11	50.20.0310	4 pcs	Glimmer TO 126		
C.....17		59.06.0104	100 nF	PE	MP.....12	21.53.0456	3 pcs	Schrauben M4*10mm Z		
C.....18		0	not used		MP.....13	24.16.1040	3 pcs	Rippenscheiben M4		
C.....19		59.22.4471	470 uF	16V EL	MP.....14	57.11.3000	6 pcs	0 Ohm Drahtbruecken	W1...W6	
C.....20		59.34.4331	330 pF	CER	MP.....15	21.53.0355	8 pcs	Schrauben M3*8mm Z		
					MP.....15	21.53.0356	8 pcs	Schrauben M3*10mm Z		
C.....21		59.06.0104	100 nF	PE	MP.....16	0	not used			
C.....22		59.26.2339	3.3uF	16V SAL	MP.....17	37.01.0101	16 pcs	Federscheiben M3		
C.....23		59.26.2100	10 uF	16V SAL	MP.....18	0	not used			
C.....24		59.06.0104	100 nF	PE	MP.....19	0	not used			
C.....25		0	not used		MP.....20	21.38.0355	2 pcs	Schrauben M3*8mm A2 Z		
C.....26		59.22.4471	470 uF	16V EL						
C.....27		59.06.0104	100 nF	PE	MP.....21	24.16.2030	2 pcs	Faecherscheibe A d 3,2		
C.....28		59.26.2339	3.3uF	16V SAL	MP.....22	65.99.0111	2 * 30 mm	PTFE-Schlauch Spez. 0.89 * 0.152 mm.		
C.....29		59.34.4331	330 pF	CER						
C.....30		59.26.2100	10 uF	16V SAL	P.....1	54.14.2074	26PIN	PCB Flat-cabel connector	Ya	
					P.....2	54.14.2072	16PIN	PCB Flat-cabel connector	Ya	
C.....31		59.06.0104	100 nF	PE	P.....3	54.01.0249	3PIN	CIS Connector		
C.....32		0	not used		P.....4	54.01.0249	3PIN	CIS Connector		
C.....33		59.22.4471	470 uF	16V EL						
C.....34		59.06.0104	100 nF	PE	Q.....1	50.03.0951	BD 250	PNP	TI	
C.....35		59.34.4331	330 pF	CER	Q.....2	50.03.0495	BD 135-16	NPN	Ph	
C.....36		59.26.2339	3.3uF	16V SAL	Q.....3	50.03.0340	BC 337-25	NPN	any	
C.....37		59.26.2100	10 uF	16V SAL	Q.....4	50.03.0515	BC 307B	PNP	any	
C.....38		59.06.0104	100 nF	PE	Q.....5	50.03.0515	BC 307B	PNP	any	
C.....39		0	not used		Q.....6	50.03.0515	BC 307B	PNP	any	
C.....40		59.22.4471	470 uF	16V EL	Q.....7	50.03.0436	BC 237B	NPN	any	
					Q.....8	50.03.0510	BD 136-16	PNP	Ph	
D.....1		50.04.0125	1N 4448	Si Diode	any	Q.....9	50.03.0901	BD 249	NPN	TI
D.....2		50.04.0125	1N 4448	Si Diode	any	Q.....10	50.03.0351	BC 327-25	PNP	any
D.....3		50.04.0125	1N 4448	Si Diode	any					
D.....4		50.04.0127	BAT 85	Schottky Diode	any	Q.....11	50.03.0436	BC 237B	NPN	any
D.....5		50.04.0127	BAT 85	Schottky Diode	any	Q.....12	50.03.0436	BC 237B	NPN	any
D.....6		50.04.0125	1N 4448	Si Diode	any	Q.....13	50.03.0436	BC 237B	NPN	any
D.....7		50.04.0125	1N 4448	Si Diode	any	Q.....14	50.03.0515	BC 307B	PNP	any
D.....8		50.04.0125	1N 4448	Si Diode	any	Q.....15	50.03.0951	BD 250	PNP	TI
D.....9		50.04.0125	1N 4448	Si Diode	any	Q.....16	50.03.0495	BD 135-16	NPN	Ph
D.....10		50.04.0507	1N 5402	Si Diode 3A	any	Q.....17	50.03.0340	BC 337-25	NPN	any
					any	Q.....18	50.03.0515	BC 307B	PNP	any
D.....11		50.04.0125	1N 4448	Si Diode	any	Q.....19	50.03.0515	BC 307B	PNP	any
D.....12		50.04.0125	1N 4448	Si Diode	any	Q.....20	50.03.0515	BC 307B	PNP	any
D.....13		50.04.0125	1N 4448	Si Diode	any					
D.....14		50.04.0125	1N 4448	Si Diode	any	Q.....21	50.03.0436	BC 237B	NPN	any
D.....15		50.04.0507	1N 5402	Si Diode 3A	any	Q.....22	50.03.0510	BD 136-16	PNP	Ph
D.....16		50.04.0125	1N 4448	Si Diode	any	Q.....23	50.03.0901	BD 249	NPN	TI
D.....17		50.04.0125	1N 4448	Si Diode	any	Q.....24	50.03.0351	BC 327-25	PNP	any
D.....18		50.04.0125	1N 4448	Si Diode	any	Q.....25	50.03.0436	BC 237B	NPN	any
D.....19		50.04.0125	1N 4448	Si Diode	any	Q.....26	50.03.0436	BC 237B	NPN	any
D.....20		50.04.0125	1N 4448	Si Diode	any	Q.....27	50.03.0436	BC 237B	NPN	any
					any	Q.....28	50.03.0515	BC 307B	PNP	any
D.....21		50.04.0125	1N 4448	Si Diode	any	Q.....29	50.03.0436	BC 237B	NPN	any
D.....22		50.04.0507	1N 5402	Si Diode 3A	any					
D.....23		50.04.0507	1N 5402	Si Diode 3A	any	R.....1	57.11.3152	1.5 kOhm	1% 0.25W	
D.....24		50.04.0507	1N 5402	Si Diode 3A	any	R.....2	57.11.3152	1.5 kOhm	1% 0.25W	
D.....25		50.04.0125	1N 4448	Si Diode	any	R.....3	57.11.3105	1 MOhm	5% 0.25W	
D.....26		50.04.0125	1N 4448	Si Diode	any	R.....4	57.11.3821	820 Ohm	1% 0.25W	
D.....27		50.04.0125	1N 4448	Si Diode	any	R.....5	57.11.3332	3.3 kOhm	1% 0.25W	
D.....28		50.04.0125	1N 4448	Si Diode	any	R.....6	57.11.3202	2 kOhm	1% 0.25W	
D.....29		50.04.0125	1N 4448	Si Diode	any	R.....7	0	not used		
D.....30		50.04.0125	1N 4448	Si Diode	any	R.....8	57.11.3563	56 kOhm	1% 0.25W	
					any	R.....9	57.11.3102	1 kOhm	1% 0.25W	
					any	R.....10	57.11.3152	1.5 kOhm	1% 0.25W	
D.....31		50.04.0507	1N 5402	Si Diode 3A	any	R.....11	57.11.3152	1.5 kOhm	1% 0.25W	
D.....32		50.04.0507	1N 5402	Si Diode 3A	any	R.....12	57.11.3102	1 kOhm	1% 0.25W	
D.....33		50.04.0125	1N 4448	Si Diode	any	R.....13	57.11.3105	1 MOhm	5% 0.25W	
D.....34		50.04.0125	1N 4448	Si Diode	any	R.....14	57.11.3563	56 kOhm	1% 0.25W	
D.....35		50.04.0125	1N 4448	Si Diode	any	R.....15	57.11.3181	180 Ohm	1% 0.25W	
D.....36		50.04.0125	1N 4448	Si Diode	any	R.....16	57.11.3332	3.3 kOhm	1% 0.25W	
D.....37		50.04.0125	1N 4448	Si Diode	any	R.....17	57.11.3102	1 kOhm	1% 0.25W	
D.....38		50.04.0125	1N 4448	Si Diode	any	R.....18	0	not used	voltage adjust on board	
D.....39		50.04.0507	1N 5402	Si Diode 3A	any	R.....19	0	not used	voltage adjust on 1.918.085, 2k]] 2k2	
DV.....1		50.04.1503	ZPD 7.5V	Si Z-Diode 1.3W	any	R.....20	0	not used	1.918.079.00 NTC-Sensor on Trafo	
DV.....2		50.04.1503	ZPD 7.5V	Si Z-Diode 1.3W	any					
DV.....3		0	not used							
DV.....4		0	not used		03 R.....21	57.99.0803	470 kOhm	10%, NTC	Sie.	
DV.....5		50.04.1106	ZPD 2.7V	Si Z-Diode 0.5W	any	R.....22	57.11.3103	10 kOhm	1% 0.25W	
DV.....6		50.04.1106	ZPD 2.7V	Si Z-Diode 0.5W	any	R.....23	57.11.3563	56 kOhm	1% 0.25W	
DV.....7		50.04.1106	ZPD 2.7V	Si Z-Diode 0.5W	any	R.....24	57.11.3563	56 kOhm	1% 0.25W	
DV.....8		50.04.1106	ZPD 2.7V	Si Z-Diode 0.5W	any	R.....25	57.11.3683	68 kOhm	1% 0.25W	
					any	R.....26	57.11.3103	10 kOhm	1% 0.25W	
IC.....1		50.05.0286	LM 358P	Dual Op.Amp.	TI	R.....27	57.11.3103	10 kOhm	1% 0.25W	
IC.....2		50.05.0286	LM 358P	Dual Op.Amp.	TI	R.....28	57.11.3102	1 kOhm	1% 0.25W	
IC.....3		50.05.0286	LM 358P	Dual Op.Amp.	TI	02 R.....28	57.11.3103	10 kOhm	1% 0.25W	
IC.....4		50.05.0286	LM 358P	Dual Op.Amp.	TI	R.....29	57.11.3562	5.6 kOhm	1% 0.25W	
IC.....5		50.05.0286	LM 358P	Dual Op.Amp.	TI	R.....30	57.11.3104	100 kOhm	1% 0.25W	
IC.....6		50.05.0286	LM 358P	Dual Op.Amp.	TI					
IC.....7		50.05.0286	LM 358P	Dual Op.Amp.	TI					
IC.....8		50.05.0286	LM 358P	Dual Op.Amp.	TI	R.....31	57.11.3103	10 kOhm	1% 0.25W	
IC.....9		50.10.0106	TL 431C	Shunt-Regulator	TI	R.....32	57.11.3102	1 kOhm	1% 0.25W	
IC.....10		50.10.0106	TL 431C	Shunt-Regulator	TI	R.....33	57.11.3183	18 kOhm	1% 0.25W	
					TI	R.....34	57.11.3104	100 kOhm	1% 0.25W	



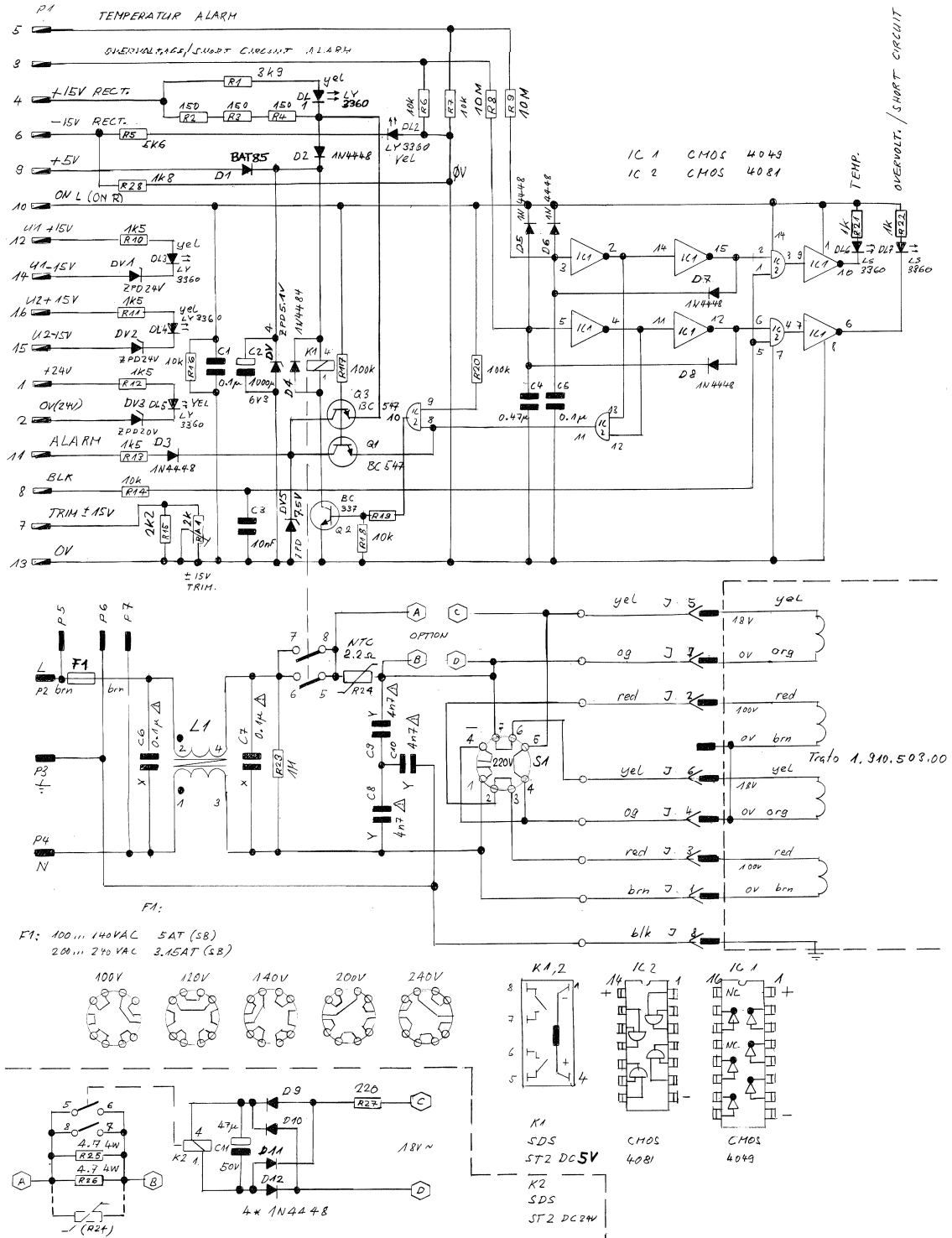
±15V STABILIZER BOARD

1.918.084.00

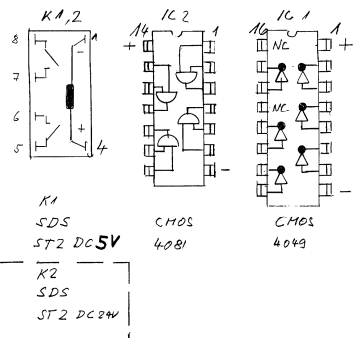
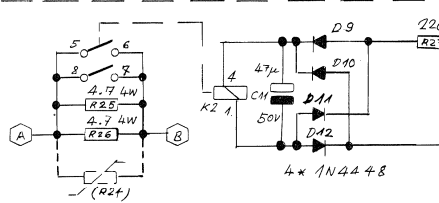
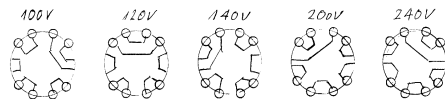
Ad	..POS.	..REF.No.	DESCRIPTION	MANUFACTURER	Ad	..POS.	..REF.No.	DESCRIPTION	MANUFACTURER
R....35	57.11.3104	100	kOhm	1% 0.25W					
R....36	57.11.3104	100	kOhm	1% 0.25W					
R....37	57.11.3104	100	kOhm	1% 0.25W					
R....38	57.56.2010	10	mOhm	3% 3 W	(03)	91/09/23	Philips NTC Resistor #57.99.0208 is no longer available. R21 is now a Siemens NTC Resistor #57.99.0803 and the leads are insulated with 2 pcs. PTFE-tube #65.99.0111, L=30 mm. (MP22 position). MP18 & MP19 positions are no longer used.		
R....39	57.11.3104	100	kOhm	1% 0.25W					
R....40	.	0	not used						
R....41	57.11.3129	1.2	Ohm	1% 0.25W					
R....42	57.11.3181	180	Ohm	1% 0.25W					
R....43	57.11.3103	10	kOhm	1% 0.25W	(04)	93/09/03	Current-Limiter set to appr. 9..12A (before 6...9A) R 48, 62, 87, 101 new 1k2		
R....44	57.11.3620	62	Ohm	1% 0.25W					
R....45	57.56.2010	10	mOhm	3% 3 W					
R....46	57.11.3332	3.3	kOhm	1% 0.25W					
R....47	57.11.3332	3.3	kOhm	1% 0.25W					
R....48	57.11.3102	1	kOhm	1% 0.25W					
01 R....48	57.11.3152	1.5	kOhm	1% 0.25W					
04 R....48	57.11.3122	1.2	kOhm	1% 0.25W					
R....49	57.11.3153	15	kOhm	1% 0.25W					
R....50	57.11.3103	10	kOhm	1% 0.25W					
R....51	57.11.3103	10	kOhm	1% 0.25W					
R....52	57.11.3103	10	kOhm	1% 0.25W					
R....53	57.11.3105	1	MOhm	5% 0.25W					
R....54	57.11.3102	1	kOhm	1% 0.25W					
R....55	.	0	not used						
R....56	57.11.3104	100	kOhm	1% 0.25W					
R....57	57.11.3332	3.3	kOhm	1% 0.25W					
R....58	.	0	not used						
R....59	.	0	not used						
R....60	57.11.3129	1.2	Ohm	1% 0.25W					
R....61	57.11.3181	180	Ohm	1% 0.25W					
R....62	57.11.3102	1	kOhm	1% 0.25W					
01 R....62	57.11.3152	1.5	kOhm	1% 0.25W					
04 R....62	57.11.3122	1.2	kOhm	1% 0.25W					
R....63	57.11.3332	3.3	kOhm	1% 0.25W					
R....64	57.11.3153	15	kOhm	1% 0.25W					
R....65	57.11.3153	15	kOhm	1% 0.25W					
R....66	57.11.3103	10	kOhm	1% 0.25W					
R....67	57.11.3620	62	Ohm	1% 0.25W					
R....68	57.56.2010	10	mOhm	3% 3 W					
R....69	57.11.3332	3.3	kOhm	1% 0.25W					
R....70	57.11.3153	15	kOhm	1% 0.25W					
R....71	57.11.3103	10	kOhm	1% 0.25W					
R....72	57.11.3103	10	kOhm	1% 0.25W					
R....73	57.11.3103	10	kOhm	1% 0.25W					
R....74	57.11.3104	100	kOhm	1% 0.25W					
R....75	57.11.3332	3.3	kOhm	1% 0.25W					
R....76	.	0	not used						
R....77	57.11.3102	1	kOhm	1% 0.25W					
R....78	.	0	not used						
R....79	.	0	not used						
R....80	57.11.3129	1.2	Ohm	1% 0.25W					
R....81	57.11.3181	180	Ohm	1% 0.25W					
R....82	57.11.3103	10	kOhm	1% 0.25W					
R....83	57.11.3620	62	Ohm	1% 0.25W					
R....84	57.56.2010	10	mOhm	3% 3 W					
R....85	57.11.3332	3.3	kOhm	1% 0.25W					
R....86	57.11.3332	3.3	kOhm	1% 0.25W					
R....87	57.11.3102	1	kOhm	1% 0.25W					
01 R....87	57.11.3152	1.5	kOhm	1% 0.25W					
04 R....87	57.11.3122	1.2	kOhm	1% 0.25W					
R....88	57.11.3153	15	kOhm	1% 0.25W					
R....89	57.11.3103	10	kOhm	1% 0.25W					
R....90	57.11.3103	10	kOhm	1% 0.25W					
R....91	57.11.3103	10	kOhm	1% 0.25W					
R....92	57.11.3105	1	MOhm	5% 0.25W					
R....93	57.11.3102	1	kOhm	1% 0.25W					
R....94	.	0	not used						
R....95	57.11.3104	100	kOhm	1% 0.25W					
R....96	57.11.3332	3.3	kOhm	1% 0.25W					
R....97	.	0	not used						
R....98	.	0	not used						
R....99	57.11.3129	1.2	Ohm	1% 0.25W					
R...100	57.11.3181	180	Ohm	1% 0.25W					
R...101	57.11.3102	1	kOhm	1% 0.25W					
01 R...101	57.11.3152	1.5	kOhm	1% 0.25W					
04 R...101	57.11.3122	1.2	kOhm	1% 0.25W					
R...102	57.11.3332	3.3	kOhm	1% 0.25W					
R...103	57.11.3153	15	kOhm	1% 0.25W					
R...104	57.11.3153	15	kOhm	1% 0.25W					
R...105	57.11.3620	62	Ohm	1% 0.25W					
R...106	57.11.3103	10	kOhm	1% 0.25W					
R...107	57.56.2010	10	mOhm	3% 3 W					
R...108	57.11.3332	3.3	kOhm	1% 0.25W					
R...109	57.11.3153	15	kOhm	1% 0.25W					
R...110	57.11.3103	10	kOhm	1% 0.25W					
R...111	57.11.3103	10	kOhm	1% 0.25W					
R...112	57.11.3103	10	kOhm	1% 0.25W					
R...113	57.11.3104	100	kOhm	1% 0.25W					
R...114	57.11.3332	3.3	kOhm	1% 0.25W					
R...115	.	0	not used						
R...116	.	0	not used						
R...117	57.11.3102	1	kOhm	1% 0.25W					
W.....0	.	.	see MP 14						
(01)	91/01/16	Current-Limiter set to appr. 6...9A (before 12...15 A) R 48, 62, 87, 101 new 1k5							
(02)	91/08/05	Screws (MP 15) longer							

MAINS SELECTOR BOARD

1.918.085.00



F1: 100...140VAC 5AT (SB)
200...240VAC 3.15AT (SB)

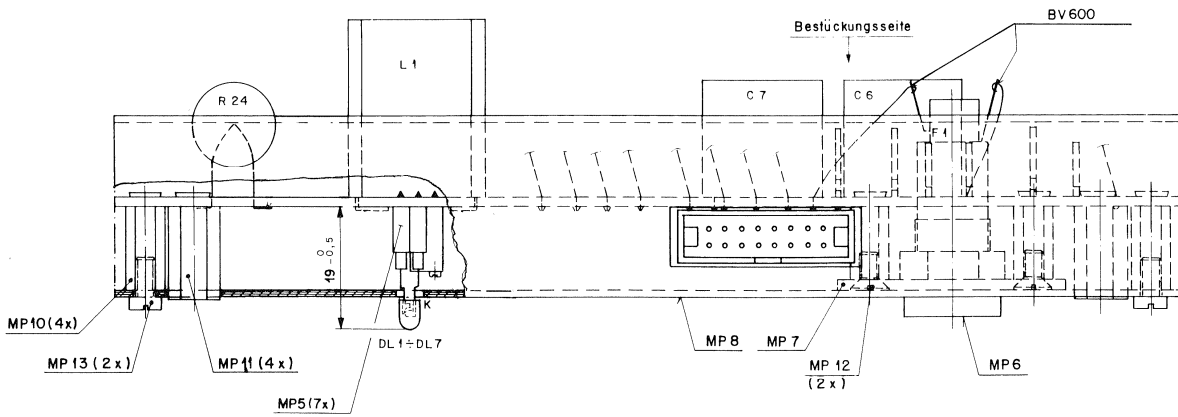
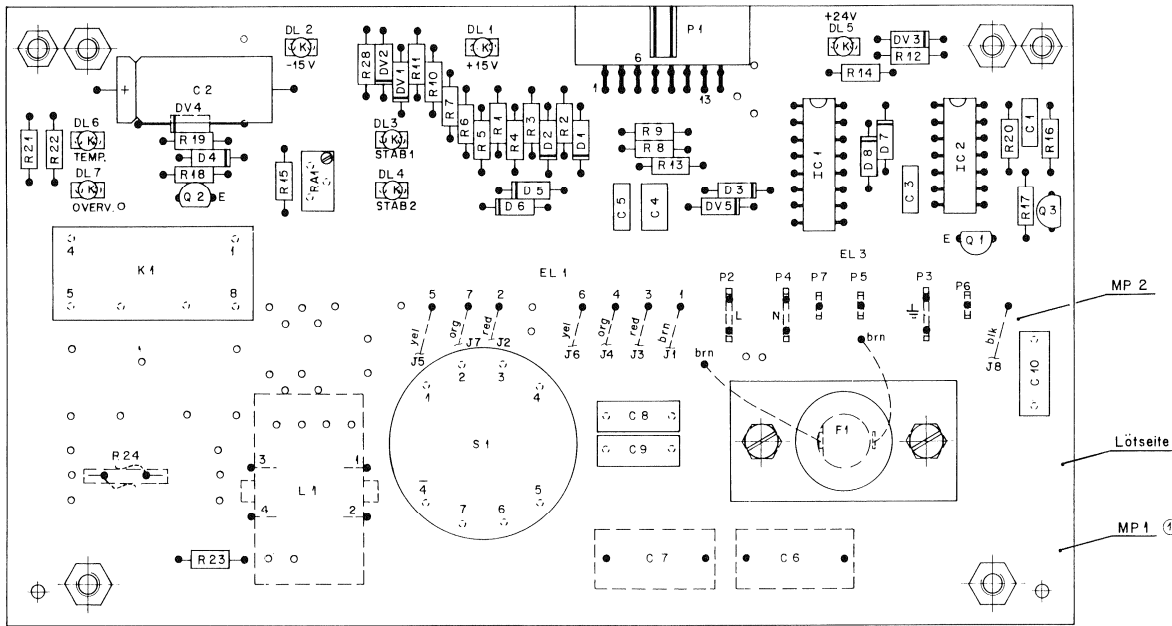


⑩ 10.8.90	⑪ 12.11.90 al
Power Supply 1.918.420 and up				PAGE 1 OF 1
STUDER		Mains Selector Board		SC 1918.085.00



MAINS SELECTOR BOARD

1.918.085.00



Benennung									
Abmessung									(3)
23.4.91									(?)
15.5.90									(1)
Datum	Gez	Gepr	Ges	Index					(0)
Kopie für:									
Benennung					Nummer				
MAINS SELECTOR BOARD					1.918.085-00				
ESE									



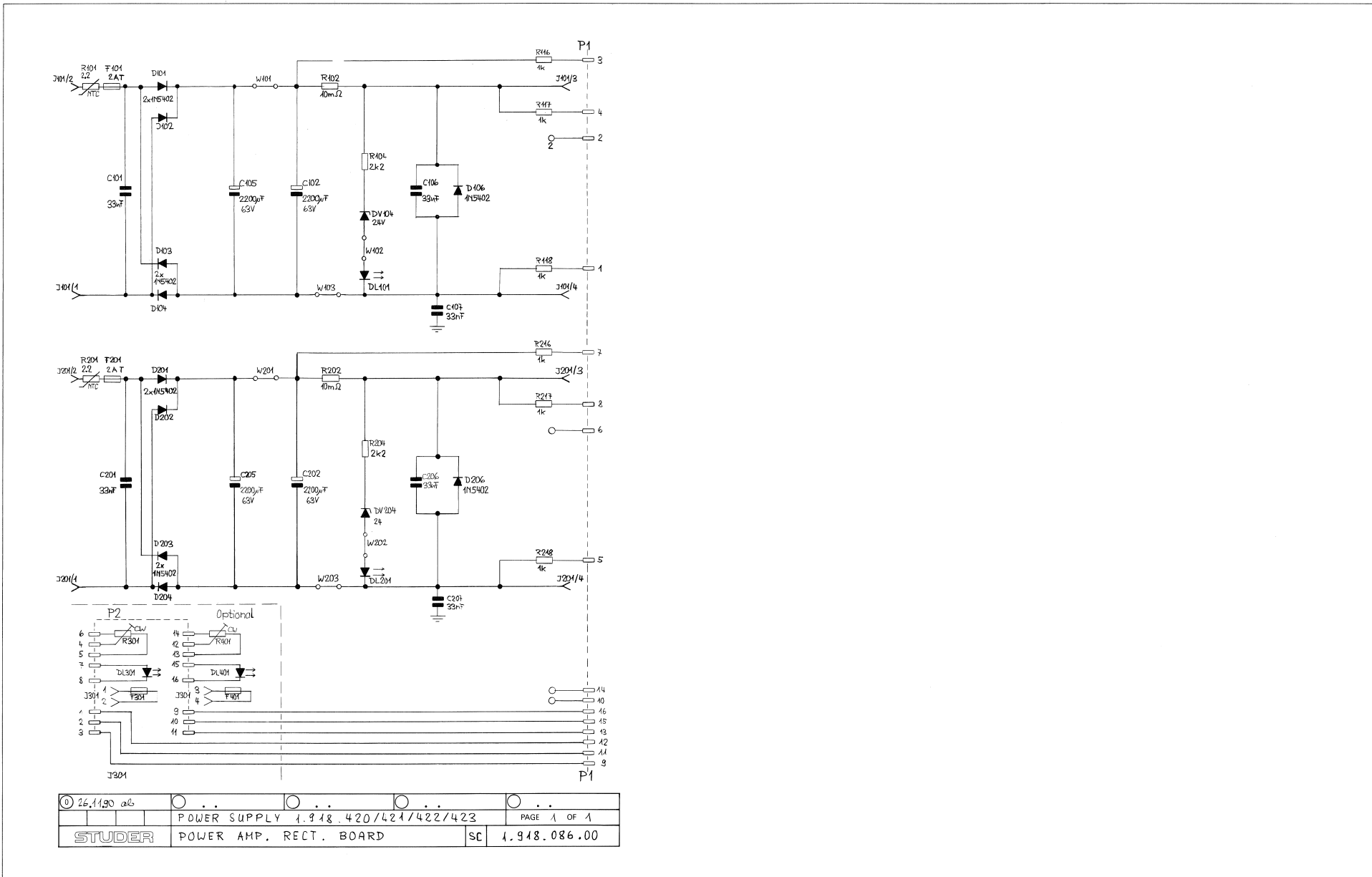
MAINS SELECTOR BOARD

1.918.085.00

Ad	..POS..	..REF.No...	DESCRIPTION.....	MANUFACTURER	Ad	..POS..	..REF.No...	DESCRIPTION.....	MANUFACTURER
C.....1		59.06.0104	100 nF	PE	R....24		57.93.1229	2.2 Ohm	NTC
C.....2		59.25.1102	1000 uF	6,3V EL	02 R....25		. . . 0	not used	57.56.5479, 4.7 Ohm, 4 Watt, option
C.....3		59.06.0103	10 nF	PE	02 R....26		. . . 0	not used	57.56.5479, 4.7 Ohm, 4 Watt, option
C.....4		59.06.0474	470 nF	PE	02 R....27		. . . 0	not used	57.11.3221, 220 Ohm option
C.....5		59.06.0104	100 nF	PE	01 R....28		57.11.3182	1.8kOhm	
C.....6		59.14.3104	0,1uF	300VAC +/-20% X-2	Sie				
C.....7		59.14.3104	0,1uF	300VAC +/-20% X-2	Sie				
C.....8		59.14.0472	4,7nF	250VAC IEC 65 Y	Ri				
C.....9		59.14.0472	4,7nF	250VAC IEC 65 Y	Ri				
C.....10		59.14.0472	4,7nF	250VAC IEC 65 Y	Ri				
02 C....11		. . . 0	not used	59.22.8470, 47uF, 63V, EL	option				
D.....1		50.04.0125	1N4448		any				
D.....1		50.04.0127	BAT 85	Schottky	any				
D.....2		50.04.0125	1N4448		any				
D.....3		50.04.0125	1N4448		any				
D.....4		50.04.0125	1N4448		any				
D.....5		50.04.0125	1N4448		any				
D.....6		50.04.0125	1N4448		any				
D.....7		50.04.0125	1N4448		any				
D.....8		50.04.0125	1N4448		any				
02 D.....9		. . . 0	not used	50.04.0125, 1N4448	option				
02 D....10		. . . 0	not used	50.04.0125, 1N4448	option				
02 D....11		. . . 0	not used	50.04.0125, 1N4448	option				
02 D....12		. . . 0	not used	50.04.0125, 1N4448	option				
DL....1		50.04.2130	LY3360	LED 3.18mm gb	Sie				
DL....2		50.04.2130	LY3360	LED 3.18mm gb	Sie				
DL....3		50.04.2130	LY3360	LED 3.18mm gb	Sie				
DL....4		50.04.2130	LY3360	LED 3.18mm gb	Sie				
DL....5		50.04.2130	LY3360	LED 3.18mm gb	Sie				
DL....6		50.04.2129	LS3360	LED 3.18mm rt	Sie				
DL....7		50.04.2129	LS3360	LED 3.18mm rt	Sie				
DV....1		50.04.1121	Z24 V	500 mW	any				
DV....2		50.04.1121	Z24 V	500 mW	any				
DV....3		50.04.1109	Z20 V	500 mW	any				
DV....4		50.04.1112	Z 5.1V	500 mW	any				
DV....5		50.04.1112	Z 5.1V	500 mW	any				
01 DV....5		50.04.1103	Z 7.5V	500 mW	any				
F....1		51.01.0122	3.15 AT	Slow blow					
IC....1		50.07.0049	4049	CMOS hex inverting buffer	Ph				
IC....2		50.07.0081	4081	CMOS Quad 2-Input AND Gate	Ph				
K....1		56.04.0181	6V	Power Supply Relais	SDS				
02 K....1		56.04.0181	5V	Power Supply Relais	SDS				
02 K....2		. . . 0	not used	56.04.0181, SDS-Relais 24V, ST2-24V	option				
L....1		62.03.0105	1.8mH	I=5A	TOK				
MP...1		1.918.085.11	1 pcs	Print	St				
MP...2		1.918.085.93	1 pcs	Litzenliste	St				
MP...3		43.01.0108	1 pcs	ESE Warnschild					
02 MP...4		. . . 0	not used						
02 MP...5		53.03.0240	7 pcs	Led sockel					
02 MP...6		53.03.0106	1 pcs	Sicherungshalter					
02 MP...7		1.918.085.01	1 pcs	Sicherungshalteblech	St				
02 MP...8		1.918.085.02	1 pcs	Isolierabdeckung	St				
02 MP...9		1.918.085.04	1 pcs	Nr. Etiketle	St				
02 MP...10		1.010.058.22	4 pcs	Nietmutter M3*13mm	St				
02 MP...11		1.010.046.22	4 pcs	Nietmutter M3*14.5mm	St				
02 MP...12		21.01.2354	2 pcs	S-Schraube M3*6mm					
02 MP...13		21.99.0117	2 pcs	Z-Schraube M3*6mm Nylon					
P....1		54.14.2072	16 pin	PCB connector side entry male					
P....2		54.02.0335	6.3mm	Flat Pin Connector					
P....3		54.02.0335	6.3mm	Flat Pin Connector					
P....4		54.02.0335	6.3mm	Flat Pin Connector					
P....5		54.02.0320	2.8mm	Flat Pin Connector					
P....6		54.02.0320	2.8mm	Flat Pin Connector					
P....7		54.02.0320	2.8mm	Flat Pin Connector					
Q....1		50.03.0436	BC 547B	NPN	any				
Q....2		50.03.0340	BC 337	NPN	any				
01 Q....3		50.03.0436	BC 547B	NPN	any				
R....1		57.11.3392		3.9kOhm					
R....2		57.11.3151		150 Ohm					
R....3		57.11.3151		150 Ohm					
R....4		57.11.3151		150 Ohm					
R....5		57.11.3562		5.6kOhm					
R....6		57.11.3103		10 kOhm					
R....7		57.11.3103		10 kOhm					
R....8		57.11.3105		1 MOhm					
01 R....8		57.11.5106		10 MOhm					
R....9		57.11.3105		1 MOhm					
01 R....9		57.11.5106		10 MOhm					
R....10		57.11.3152		1.5kOhm					
R....11		57.11.3152		1.5kOhm					
R....12		57.11.3152		1.5kOhm					
R....13		57.11.3152		1.5kOhm					
R....14		57.11.3103		10 kOhm					
R....15		57.11.3222		2.2kOhm					
R....16		57.11.3103		10 kOhm					
R....17		57.11.3104		100 kOhm					
R....18		57.11.3103		10 kOhm					
R....19		57.11.3103		10 kOhm					
R....20		57.11.3104		100 kOhm					
R....21		57.11.3102		1 kOhm					
R....22		57.11.3102		1 kOhm					
R....23		57.11.3105		1 MOhm					

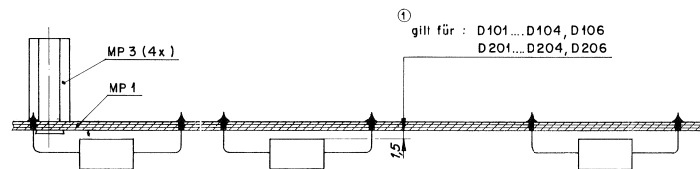
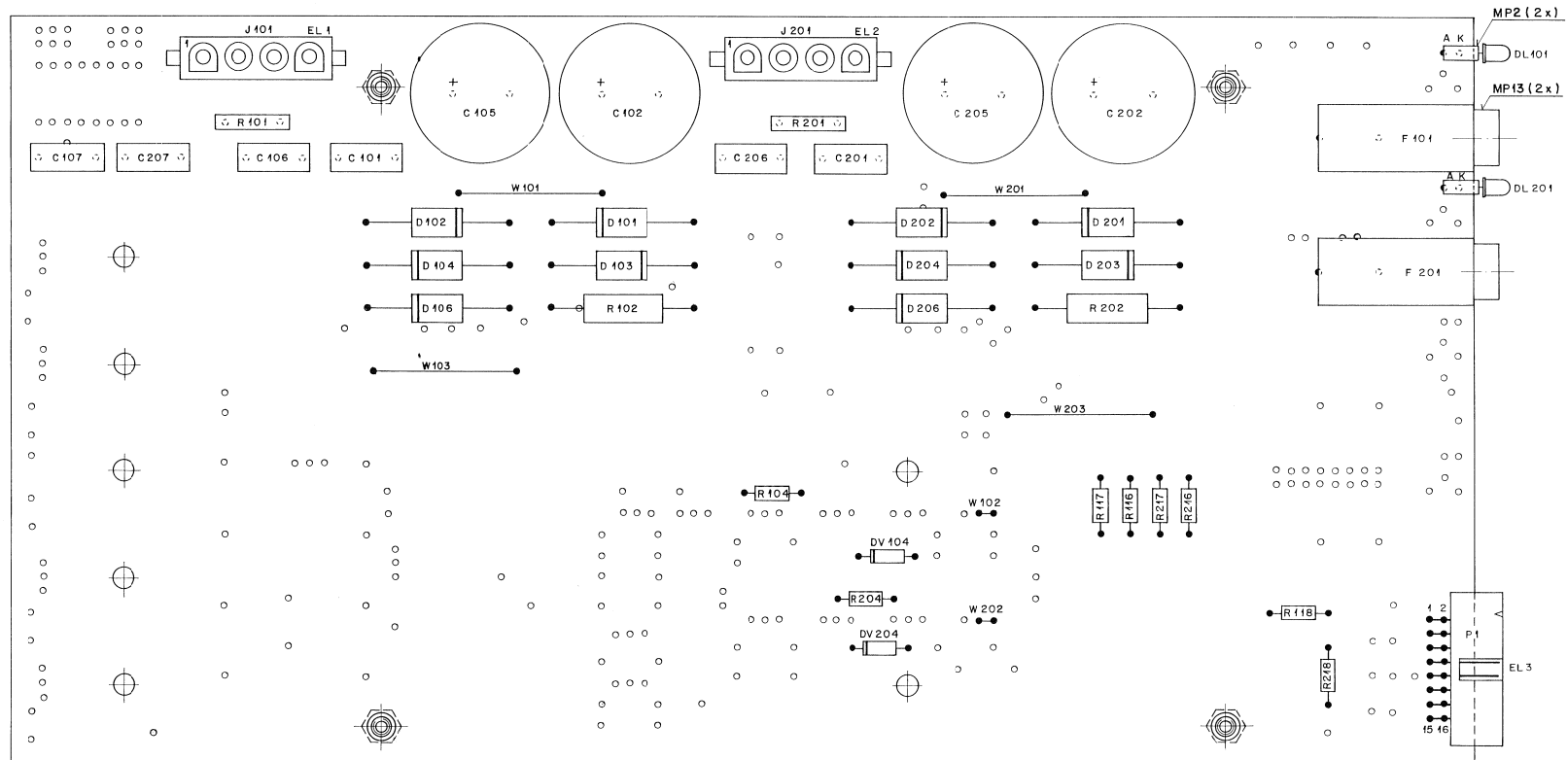
POWER AMP. RECT. BOARD

1.918.086.00



POWER AMP. RECT. BOARD

1.918.086.00



STUDER
REGENSDORF
ZÜRICH

POWER AMP.
RECT. BOARD

Version									
11.1.91	SK	1/2	1/2	1/2	1/2	1/2	1/2	1/2	1/2
2.10.90	AK	AR	AR	AR	AR	AR	AR	AR	AR
Zustimmung	Gez.	Gez.	Gez.	Gez.	Gez.	Gez.	Gez.	Gez.	Index
Kopie für									
Number	1.918.086-00								

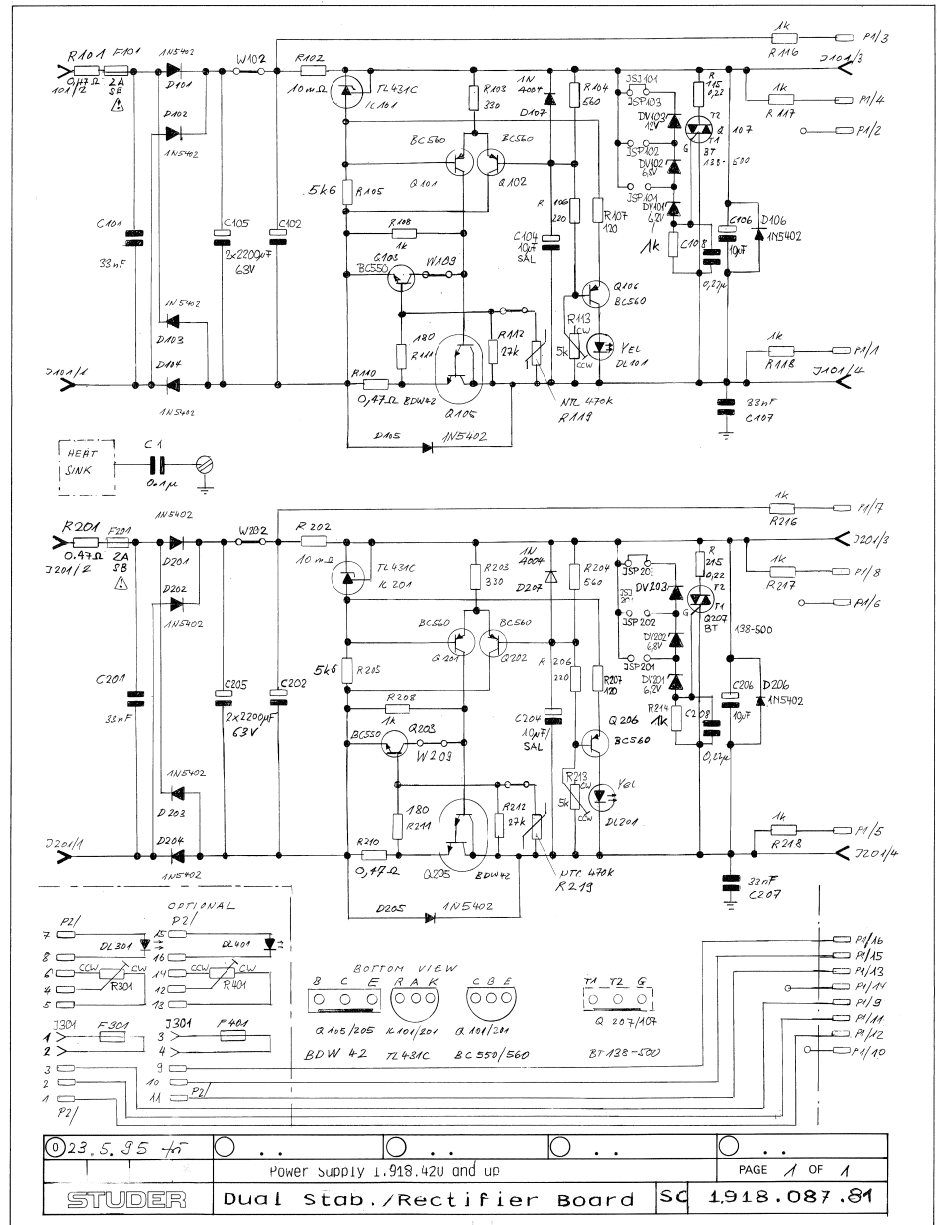
POWER AMP. RECT. BOARD

1.918.086.00

Ad	..POS..	..REF.No..	DESCRIPTION.....	MANUFACTURER	Ad	..POS..	..REF.No..	DESCRIPTION.....	MANUFACTURER
C....1	.	0	NOT USED		R...207	.	0	NOT USED	
C...101	59.31.8333	.033 uF	10%, 400V, PE		R...208	.	0	NOT USED	
C...102	59.29.5222	2200 uF	20%, 63 V, EL		R...209	.	0	NOT USED	
C...103	.	0	NOT USED		R...210	.	0	NOT USED	
C...104	.	0	NOT USED		R...211	.	0	NOT USED	
C...105	59.29.5222	2200 uF	20%, 63 V, EL		R...212	.	0	NOT USED	
C...106	59.31.8333	.033 uF	10%, 400V, PE		R...213	.	0	NOT USED	
C...107	59.31.8333	.033 uF	10%, 400V, PE		R...214	.	0	NOT USED	
C...201	59.31.8333	.033 uF	10%, 400V, PE		R...215	.	0	NOT USED	
C...202	59.29.5222	2200 uF	20%, 63 V, EL		R...216	57.11.3102	1 kOhm	10%, .5 W	
C...203	.	0	NOT USED		R...217	57.11.3102	1 kOhm	10%, .5 W	
C...204	.	0	NOT USED		R...218	57.11.3102	1 kOhm	10%, .5 W	
C...205	59.29.5222	2200 uF	20%, 63 V, EL		R...301	.	0	not used	58.05.0502, 5 kOhm 10%, .5 W, Option 1
C...206	59.31.8333	.033 uF	10%, 400V, PE		R...401	.	0	not used	58.05.0502, 5 kOhm 10%, .5 W, Option 1
C...207	59.31.8333	.033 uF	10%, 400V, PE		W...101	57.11.3000	0 Ohm	Wiring bridge	
D...101	50.04.0507	MR 502	1N 5402, 200 V, 3 A		W...102	1.010.329.64	2.5mm	Wiring bridge	
D...102	50.04.0507	MR 502	1N 5402, 200 V, 3 A		W...103	57.11.3000	0 Ohm	Wiring bridge	
D...103	50.04.0507	MR 502	1N 5402, 200 V, 3 A		W...201	57.11.3000	0 Ohm	Wiring bridge	
D...104	50.04.0507	MR 502	1N 5402, 200 V, 3 A		W...202	1.010.329.64	2.5mm	Wiring bridge	
D...105	.	0	NOT USED		W...203	57.11.3000	0 Ohm	Wiring bridge	
D...106	50.04.0507	MR 502	1N 5402,						
D...201	50.04.0507	MR 502	1N 5402,		Pos # 1..99	:	Global		
D...202	50.04.0507	MR 502	1N 5402,		101..199	:	for U 1		
D...203	50.04.0507	MR 502	1N 5402,		201..299	:	for U 2		
D...204	50.04.0507	MR 502	1N 5402,		301..499	:	for U 3, U 4 (Option 1)		
D...205	.	0	NOT USED						
D...206	50.04.0507	MR 502	1N 5402,						
DL..101	50.04.2130	LY 3360	yellow diff.						
DL..201	50.04.2130	LY 3360	yellow diff.						
DL..301	.	0	not used	Option 1					
DL..401	.	0	not used	Option 1					
DV..101	.	0	NOT USED						
DV..102	.	0	NOT USED						
DV..103	.	0	NOT USED						
DV..104	50.04.1121	24 V	5%, .40W, Z,						
DV..201	.	0	NOT USED						
DV..202	.	0	NOT USED						
DV..203	.	0	NOT USED						
DV..204	50.04.1121	24 V	5%, .40W, Z,						
F....0	.	.	Fuseholder see MP 13						
F...101	51.01.0120		T2.0A/ 250V, 5 * 20						
F...201	51.01.0120		T2.0A/ 250V, 5 * 20						
F...301	.	0	not used	Option 1					
F...401	.	0	not used	Option 1					
J...101	54.25.0004		Power-Conn., 4 POL 16 A	AMP					
J...201	54.25.0004		Power-Conn., 4 POL 16 A	AMP					
J...301	.	0	not used	Option 1					
MP....1	1.918.086.11		Power Amp.Rect. PCB	St					
MP....2	1.010.012.50	2 pcs	Diodenhalter						
MP....3	1.010.046.22	4 pcs	Nietmutter, M 3 * 14.5						
MP....4	.	0	NOT USED						
MP....5	.	0	NOT USED						
MP....6	.	0	NOT USED						
MP....7	.	0	NOT USED						
MP....8	.	0	NOT USED						
MP....9	.	0	NOT USED						
MP....10	.	0	NOT USED						
MP....11	.	0	NOT USED						
MP....12	.	0	NOT USED						
MP....13	53.03.0145	2 pcs	Sicherungshalter liegend 5*20						
MP....14	.	0	NOT USED						
MP....15	.	0	NOT USED						
MP....16	.	0	NOT USED						
MP....17	1.918.086.04		Nr.-Etikette 5 * 20						
MP....18	.	0	NOT USED						
P....1	54.14.2072	16 pin	Plug, SN, (Winkel), Diagnostic						
P....2	.	0	not used	Option 1					
R...101	57.93.1229	2.2 Ohm	NTC, Surge-suppressor						
R...102	57.56.2010	10 mOhm	5%, 3 W						
R...103	.	0	NOT USED						
R...104	57.11.3222	2.2 kOhm	10%, .5 W						
R...105	.	0	NOT USED						
R...106	.	0	NOT USED						
R...107	.	0	NOT USED						
R...108	.	0	NOT USED						
R...109	.	0	NOT USED						
R...110	.	0	NOT USED						
R...111	.	0	NOT USED						
R...112	.	0	NOT USED						
R...113	.	0	NOT USED						
R...114	.	0	NOT USED						
R...115	.	0	NOT USED						
R...116	57.11.3102	1 kOhm	10%, .5 W						
R...117	57.11.3102	1 kOhm	10%, .5 W						
R...118	57.11.3102	1 kOhm	10%, .5 W						
R...201	57.93.1229	2.2 Ohm	NTC, Surge-suppressor						
R...202	57.56.2010	10 mOhm	5%, 3 W						
R...203	.	0	NOT USED						
R...204	57.11.3222	2.2 kOhm	10%, .5 W						
R...205	.	0	NOT USED						
R...206	.	0	NOT USED						

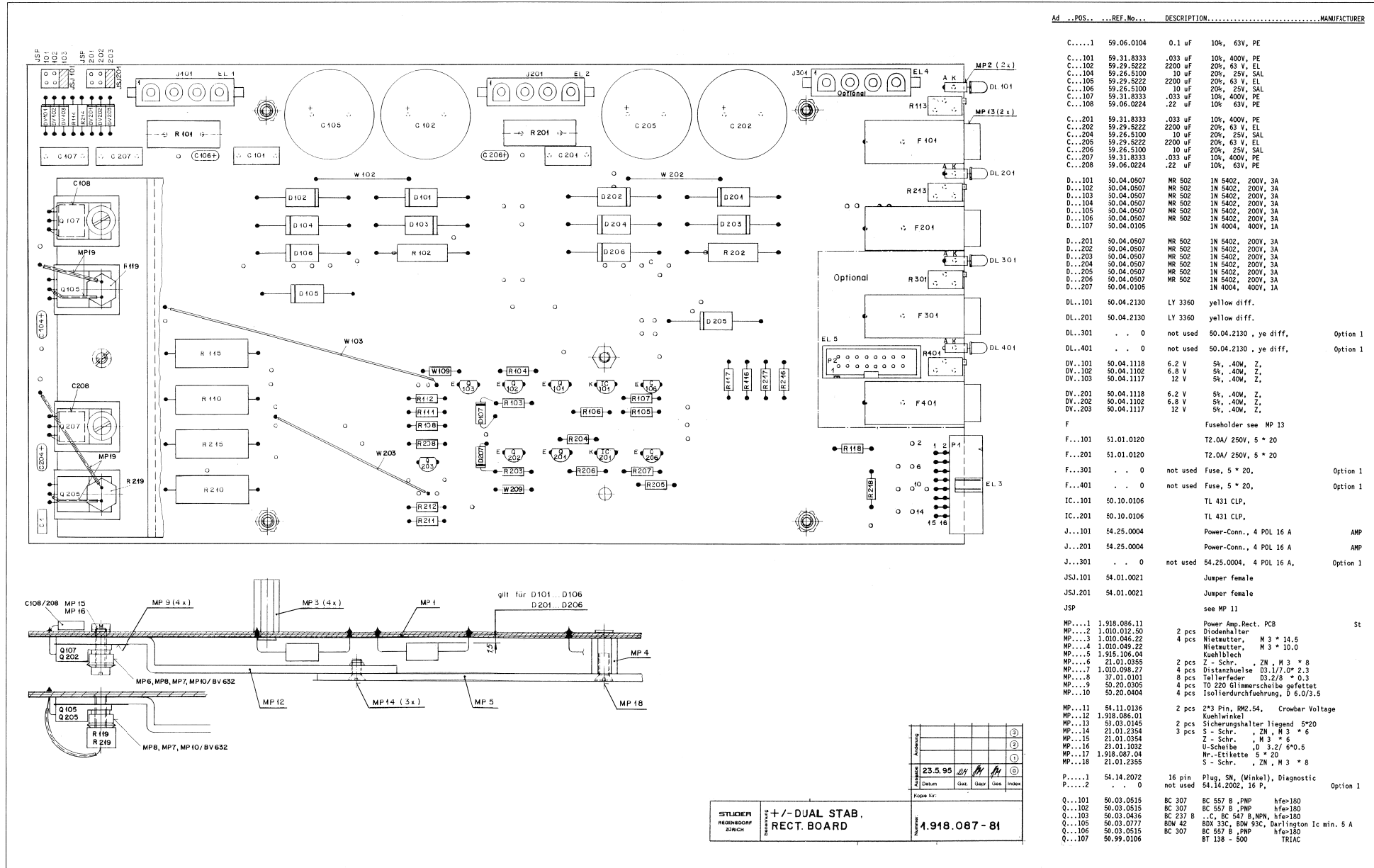
+/- DUAL STABILIZER RECTIFIER BOARD

1.918.087.81



+/- DUAL STABILIZER RECTIFIER BOARD

1.918.087.81



Ad	POS.	REF.No.	DESCRIPTION	MANUFACTURER
C...	1	59.06.0104	0.1 uF 10%, 63V, PE	
C...	101	59.31.8333	.033 uF 10%, 400V, PE	
C...	102	59.29.5222	2200 uF 20%, 63 V, EL	
C...	104	59.26.5100	10 uF 20%, 25V, SAL	
C...	105	59.29.5222	2200 uF 20%, 63 V, EL	
C...	106	59.26.5100	10 uF 20%, 25V, SAL	
C...	107	59.31.8333	.033 uF 10%, 400V, PE	
C...	108	59.06.0224	.22 uF 10%, 63V, PE	
C...	201	59.31.8333	.033 uF 10%, 400V, PE	
C...	202	59.29.5222	2200 uF 20%, 63 V, EL	
C...	204	59.26.5100	10 uF 20%, 25V, SAL	
C...	205	59.29.5222	2200 uF 20%, 63 V, EL	
C...	206	59.26.5100	10 uF 20%, 25V, SAL	
C...	207	59.31.8333	.033 uF 10%, 400V, PE	
C...	208	59.06.0224	.22 uF 10%, 63V, PE	
D...	101	30.04.0507	MR 502 IN 5402, 200V, 3A	
D...	102	30.04.0507	MR 502 IN 5402, 200V, 3A	
D...	103	30.04.0507	MR 502 IN 5402, 200V, 3A	
D...	104	30.04.0507	MR 502 IN 5402, 200V, 3A	
D...	105	30.04.0507	MR 502 IN 5402, 200V, 3A	
D...	106	30.04.0507	MR 502 IN 5402, 200V, 3A	
D...	107	30.04.0105	MR 502 IN 4004, 400V, 1A	
D...	201	30.04.0507	MR 502 IN 5402, 200V, 3A	
D...	202	30.04.0507	MR 502 IN 5402, 200V, 3A	
D...	203	30.04.0507	MR 502 IN 5402, 200V, 3A	
D...	204	30.04.0507	MR 502 IN 5402, 200V, 3A	
D...	205	30.04.0507	MR 502 IN 5402, 200V, 3A	
D...	206	30.04.0507	MR 502 IN 5402, 200V, 3A	
D...	207	30.04.0105	MR 502 IN 4004, 400V, 1A	
DL...	101	30.04.2130	LY 3360 yellow diff.	
DL...	201	30.04.2130	LY 3360 yellow diff.	
DL...	301	0	not used 50.04.2130, ye diff.	Option 1
DL...	401	0	not used 50.04.2130, ye diff.	Option 1
DV...	101	50.04.1118	6.2 V 5%, 40W, Z	
DV...	102	50.04.1102	6.8 V 5%, 40W, Z	
DV...	103	50.04.1117	12 V 5%, 40W, Z	
DV...	201	50.04.1118	6.2 V 5%, 40W, Z	
DV...	202	50.04.1102	6.8 V 5%, 40W, Z	
DV...	203	50.04.1117	12 V 5%, 40W, Z	
F			Fuseholder see MP 13	
F...	101	51.01.0120	T2.0A/ 250V, 5 * 20	
F...	201	51.01.0120	T2.0A/ 250V, 5 * 20	
F...	301	0	not used Fuse, 5 * 20,	Option 1
F...	401	0	not used Fuse, 5 * 20,	Option 1
IC...	101	50.10.0106	TL 431 CLP,	
IC...	201	50.10.0106	TL 431 CLP,	
J...	101	54.25.0004	Power-Conn., 4 POL 16 A	AMP
J...	201	54.25.0004	Power-Conn., 4 POL 16 A	AMP
J...	301	0	not used 54.25.0004, 4 POL 16 A,	Option 1
JSJ...	101	54.01.0021	Jumper female	
JSJ...	201	54.01.0021	Jumper female	
JSP			see MP 11	
MP...	1	1.918.086.11	Power Amp.Rect. PCB	St
MP...	2	1.010.012.50	2 pcs Diodenhalter	
MP...	3	1.010.046.22	4 pcs Nietmutter, M 3 * 14,5	
MP...	4	1.010.049.22	Nietmutter, M 3 * 10,0	
MP...	5	1.915.106.04	Kuehlblech	
MP...	6	21.01.0355	2 pcs Z - Schr., ZN, M 3 * 8	
MP...	7	1.010.098.27	4 pcs Distanzhuebe D3.17/0* 2.3	
MP...	8	37.01.0101	8 pcs Tellerfeder D3.2/8 * 0.3	
MP...	9	50.20.0305	4 pcs T0 220 Glimmerscheibe gefettet	
MP...	10	50.20.0404	4 pcs Isolierdurchfuehrung, D 6.0/3.5	
MP...	11	54.11.0136	2 pcs 2*3 Pin, RM2.54, Crowbar Voltage	
MP...	12	1.918.086.01	Kuehlwinkel	
MP...	13	59.03.0145	2 pcs Sicherungshalter liegend 5*20	
MP...	14	21.01.2354	3 pcs S - Schr., ZN, M 3 * 6	
MP...	15	21.01.0354	Z - Schr., M 3 * 6	
MP...	16	23.01.1032	U-Schleibe D 3.2/ 6*0.5	
MP...	17	1.918.087.04	Nr.-Etikette 5 * 20	
MP...	18	21.01.2355	S - Schr., ZN, M 3 * 8	
P...	1	54.14.2072	16 pin Plug, SN, (Winkel), Diagnostic	
P...	2	0	not used 54.14.2002, 16 P,	Option 1
Q...	101	50.03.0515	BC 307 BC 557 B, PNP hfe>180	
Q...	102	50.03.0515	BC 307 BC 557 B, PNP hfe>180	
Q...	103	50.03.0436	BC 237 B, C, BC 547 B, NPN, hfe>180	
Q...	105	50.03.0777	BDW 42 BDW 33C, BDW 33C, Darlington Ic min. 5 A	
Q...	106	50.03.0515	BC 307 BC 557 B, PNP hfe>180	
Q...	107	50.99.0106	BT 138 - 500 TRIAC	

STUDER
REGENBOGEN
ZURICH

+/- DUAL STAB.
RECT. BOARD

1.918.087 - 81

+/- DUAL STABILIZER RECTIFIER BOARD

1.918.087.81

Ad . . . POS. REF.No. DESCRIPTION MANUFACTURER

Q...201	50.03.0515	BC 307	BC 557 B ,PNP	hfe>180
Q...202	50.03.0515	BC 307	BC 557 B ,PNP	hfe>180
Q...203	50.03.0436	BC 237 B	. . .C, BC 547 B,NPN,	hfe>180
Q...205	50.03.0777	BDW 42	BDX 33C, BDW 93C,	Darlington
Q...206	50.03.0515	BC 307	BC 557 B ,PNP	hfe>180
Q...207	50.99.0106		BT 138 - 500	TRIAC
R...101	57.56.5478	0,47	Ohm 10%,	4 W, WW
R...102	57.56.2010	10	mOhm 5%,	3 W
R...103	57.11.3331	330	Ohm 10%,	.5 W
R...104	57.11.3561	560	Ohm 10%,	.5 W
R...105	57.11.3562	5,6	kOhm 10%,	.5 W
R...106	57.11.3221	220	Ohm 10%,	.5 W
R...107	57.11.3121	120	Ohm 10%,	.5 W
R...108	57.11.3102	1	kOhm 10%,	.5 W
R...110	57.56.5478	.47	Ohm 10%,	4 W, WW
R...111	57.11.3181	180	Ohm 10%,	.5 W
R...112	57.11.3273	27	kOhm 10%,	.5 W
R...113	58.05.0502	5	kOhm 10%,	.5 W 22 turn, Trim U 1
R...114	57.11.3102	1	kOhm 10%,	.5 W
R...115	57.56.5228	.22	Ohm 10%,	4 W, WW
R...116	57.11.3102	1	kOhm 10%,	.5 W
R...117	57.11.3102	1	kOhm 10%,	.5 W
R...118	57.11.3102	1	kOhm 10%,	.5 W
R...119	57.99.0803	470	kOhm	NTC Siemens
R...201	57.56.5478	0,47	Ohm 10%,	4 W, WW
R...202	57.56.2010	10	mOhm 5%,	3 W
R...203	57.11.3331	330	Ohm 10%,	.5 W
R...204	57.11.3561	560	Ohm 10%,	.5 W
R...205	57.11.3562	5,6	kOhm 10%,	.5 W
R...206	57.11.3221	220	Ohm 10%,	.5 W
R...207	57.11.3121	120	Ohm 10%,	.5 W
R...208	57.11.3102	1	kOhm 10%,	.5 W
R...210	57.56.5478	0,47	Ohm 10%,	4 W, WW
R...211	57.11.3181	180	Ohm 10%,	.5 W
R...212	57.11.3273	27	kOhm 10%,	.5 W
R...213	58.05.0502	5	kOhm 10%,	.5 W 22 turn, Trim U 2
R...214	57.11.3102	1	kOhm 10%,	.5 W
R...215	57.56.5228	.22	Ohm 10%,	4 W, WW
R...216	57.11.3102	1	kOhm 10%,	.5 W
R...217	57.11.3102	1	kOhm 10%,	.5 W
R...218	57.11.3102	1	kOhm 10%,	.5 W
R...219	57.99.0803	470	kOhm	NTC Siemens
R...301	. . . 0	not used	58.05.0502, 5 kOhm 10%,	.5 W, Option 1
R...401	. . . 0	not used	58.05.0502, 5 kOhm 10%,	.5 W, Option 1
W...102	64.01.0108		0,8 mm wiring bridge	
W...109	57.11.3000		0 Ohm wiring bridge	
W...202	64.01.0108		0,8 mm wiring bridge	
W...209	57.11.3000		Ohm wiring bridge	

Pos # 1...99 : Global
 101..199 : for U 1
 201..299 : for U 2
 301..499 : for U 3, U 4 (Option 1)

-81 no auto switch off
 thermal fold back
 both stabilizer max. input voltage 45 V
 current ~ 1 ampere

Option 2
 max. 2 ampere current for 5V or 6V DC output:
 R 0,47 Ohm in parallel to R110 or R210 on solder side.
 R 10 kOhm in parallel to R112 or R212 on solder side.
 F 101 or F201 3.15 A SB

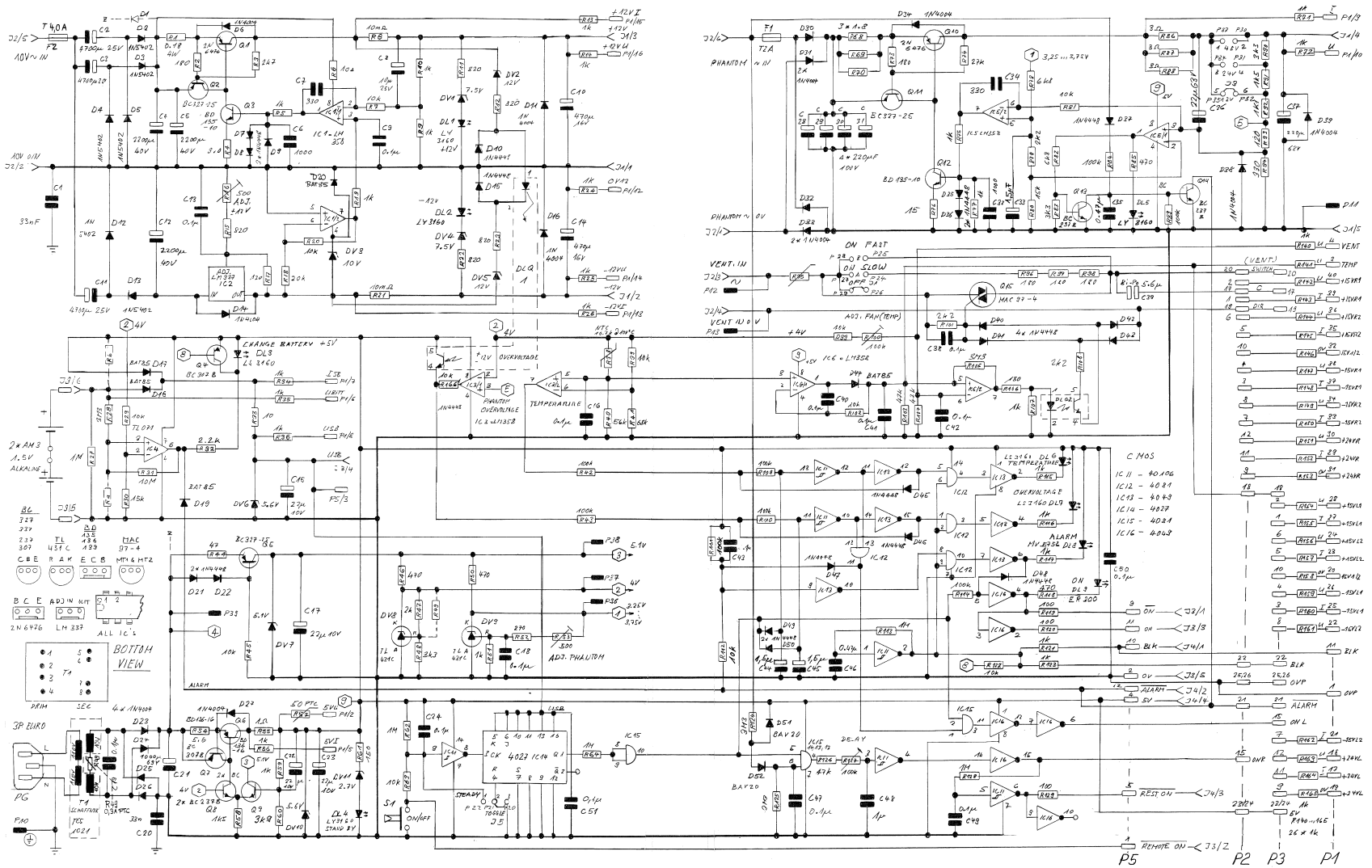
CE=Ceramic, CF=Carbon Film, EL=Electrolytic, MF=Metal Film,
 PE=Polyester, PP=Polypropylen, SAL=Solid Aluminium Lacquered
 PS=Polystyrol

MANUFACTURER: St=Studer

1.918.087.81 +/- DUAL STAB. RECT. BOARD FRI95/05/2300

PHANTOM S.B. ±12V BOARD

1.918.088.00

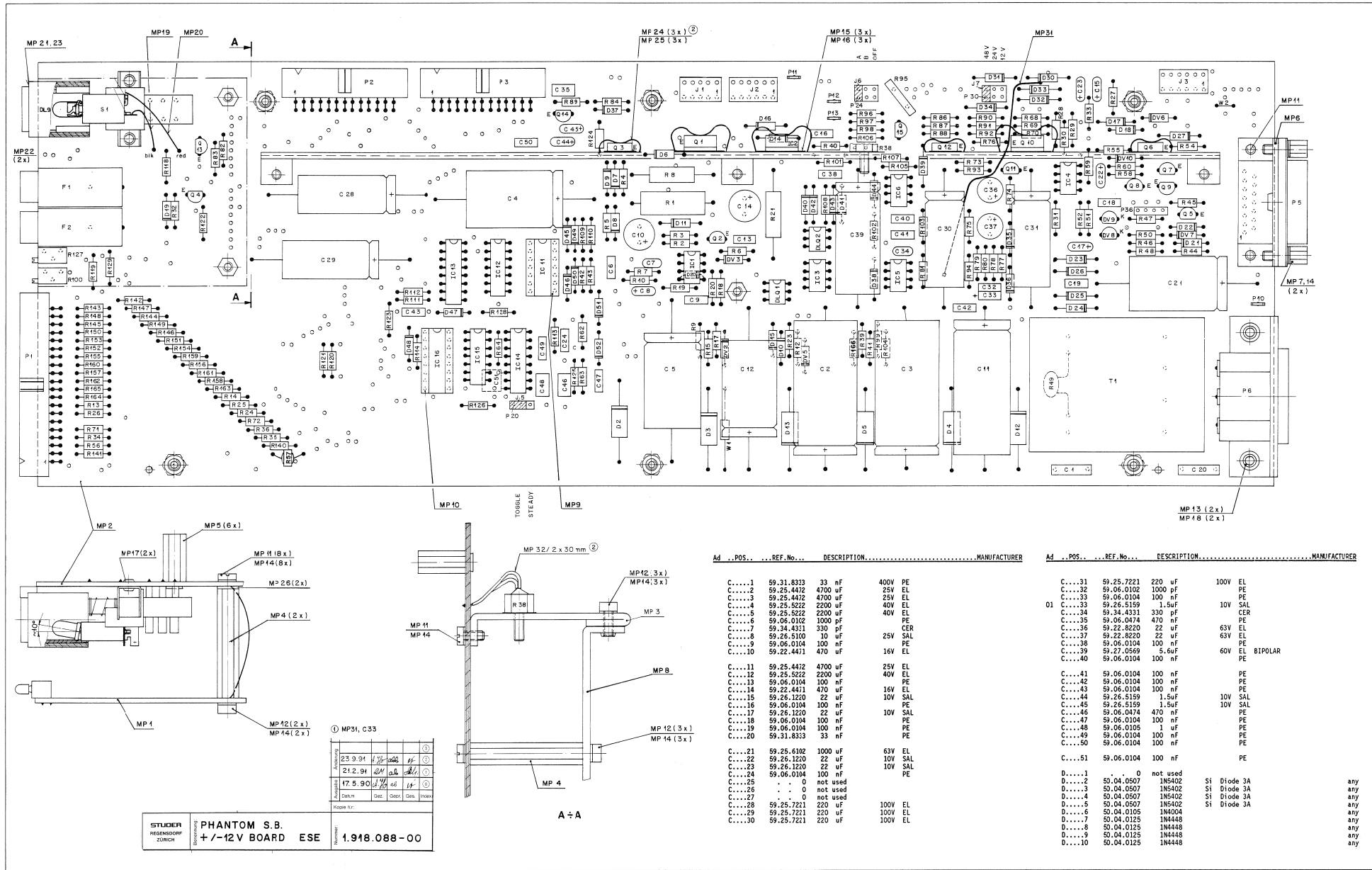


① 26.10.90	① 21.02.91 ab	Power Supply 1.918.420 and up	PAGE 1 OF 2
STUDER		Phantom, S.B., +/- 12V Board	SC 1918.088.00

① 26.10.90	① 24.02.91 ab	Power Supply 1.918.420 and up	PAGE 2 OF 2
STUDER		Phantom, S.B., +/- 12V Board	SC 1918.088.00

PHANTOM S.B. ±12V BOARD

1.918.088.00



Ad	POS.	REF.No.	DESCRIPTION	MANUFACTURER	Ad	POS.	REF.No.	DESCRIPTION	MANUFACTURER
C...	1	59.31.8333	33 nF	400V PE	C...	31	59.25.7221	220 uF	100V EL
C...	2	59.25.4472	4700 uF	25V EL	C...	32	59.06.0102	1000 pF	PE
C...	3	59.25.4472	4700 uF	25V EL	C...	33	59.06.0104	100 nF	PE
C...	4	59.25.5222	2200 uF	40V EL	C...	34	59.26.5159	1.5uF	10V SAL
C...	5	59.25.5222	2200 uF	40V EL	C...	35	59.34.4331	330 pF	PE
C...	6	59.06.0102	1000 pF	PE	C...	36	59.06.0474	470 nF	PE
C...	7	59.34.4331	330 pF	PE	C...	37	59.22.8220	22 uF	63V EL
C...	8	59.06.0100	10 nF	25V SAL	C...	38	59.06.0104	100 nF	PE
C...	9	59.06.0104	100 nF	PE	C...	39	59.27.0569	5.6uF	60V BIPOLAR
C...	10	59.22.4471	470 uF	16V EL	C...	40	59.06.0104	100 nF	PE
C...	11	59.25.4472	4700 uF	25V EL	C...	41	59.06.0104	100 nF	PE
C...	12	59.25.5222	2200 uF	40V EL	C...	42	59.06.0104	100 nF	PE
C...	13	59.06.0104	100 nF	PE	C...	43	59.06.0104	100 nF	PE
C...	14	59.22.4471	470 uF	16V EL	C...	44	59.26.5159	1.5uF	10V SAL
C...	15	59.26.1220	22 uF	10V SAL	C...	45	59.26.5159	1.5uF	10V SAL
C...	16	59.06.0104	100 nF	PE	C...	46	59.06.0474	470 nF	PE
C...	17	59.26.1220	22 uF	10V SAL	C...	47	59.06.0104	100 nF	PE
C...	18	59.06.0104	100 nF	PE	C...	48	59.06.0105	1 uF	PE
C...	19	59.06.0104	100 nF	PE	C...	49	59.06.0104	100 nF	PE
C...	20	59.31.8333	33 nF	PE	C...	50	59.06.0104	100 nF	PE
C...	21	59.25.6102	1000 uF	63V EL	C...	51	59.06.0104	100 nF	PE
C...	22	59.26.1220	22 uF	10V SAL	D...	1	0	not used	
C...	23	59.26.1220	22 uF	10V SAL	D...	2	50.04.0507	1N5402	S1 Diode 3A
C...	24	59.06.0104	100 nF	PE	D...	3	50.04.0507	1N5402	S1 Diode 3A
C...	25	0	not used		D...	4	50.04.0507	1N5402	S1 Diode 3A
C...	26	0	not used		D...	5	50.04.0507	1N5402	any
C...	27	0	not used		D...	6	50.04.0105	1N4004	any
C...	28	59.25.7221	220 uF	100V EL	D...	7	50.04.0125	1N4448	any
C...	29	59.25.7221	220 uF	100V EL	D...	8	50.04.0125	1N4448	any
C...	30	59.25.7221	220 uF	100V EL	D...	9	50.04.0125	1N4448	any
					D...	10	50.04.0125	1N4448	any

STUDER
REGNERGROSS
ZÜRICH

PHANTOM S.B.
±12V BOARD ESE

1.918.088-00

PHANTOM S.B. ±12V BOARD



1.918.088.00

Ad	..POS..	..REF.No..	DESCRIPTION.....	MANUFACTURER	Ad	..POS..	..REF.No..	DESCRIPTION.....	MANUFACTURER	
D....11	50.04.0105	1N4004		any	MP....1	1.918.082.00	1	pcs	Led Board	St
D....12	50.04.0507	1N5402	Si Diode 3A	any	MP....2	1.918.088.11	1	pcs	Phantom S.B. +/-12V PCB	St
D....13	50.04.0507	1N5402	Si Diode 3A	any	MP....3	1.918.088.01	1	pcs	Kuehlblech	St
D....14	50.04.0105	1N4004		any	MP....4	1.010.027.27	3	pcs	Mutterbolzen M3*35	St
D....15	50.04.0125	1N4448		any	MP....5	1.010.046.22	6	pcs	Nietmutter M3*14.5	St
D....16	50.04.0105	1N4004		any	MP....6	1.963.001.22	1	pcs	Haltewinkel D 15-Pol	St
D....17	50.04.0127	BAT 85	U=30V I=0.2A	any	MP....7	1.010.036.54	2	pcs	Verriegelungs-Gewindebolzen	St
D....18	50.04.0127	BAT 85	U=30V I=0.2A	any	MP....8	1.918.088.02	1	pcs	Kuehlblecherweiterung	St
D....19	50.04.0127	BAT 85	U=30V I=0.2A	any	MP....9	53.03.0167	1	pcs	IC socket 14 pin	
D....20	50.04.0127	BAT 85	U=30V I=0.2A	any	MP....10	53.03.0168	1	pcs	IC-socket 16 pin	
D....21	50.04.0125	1N4448		any	MP....11	21.13.0354	8	pcs	Z-Schraube M3*6 rostfrei	
D....22	50.04.0125	1N4448		any	MP....12	21.53.0355	6	pcs	Z-Schraube M3*8 IS	
D....23	50.04.0105	1N4004		any	MP....13	23.01.1032	2	pcs	U-Scheibe 3.2/6*0.5	
D....24	50.04.0105	1N4004		any	MP....14	24.16.1030	16	pcs	Rippenscheiben D 3.2/5.5	
D....25	50.04.0105	1N4004		any	MP....15	50.20.2004	3	pcs	Montageclip TO 220	
D....26	50.04.0105	1N4004		any	MP....16	50.20.0315	3	pcs	Glimmer TO 220	
D....27	50.04.0105	1N4004		any	MP....17	28.21.1350	2	pcs	Rohrniete 2,5*4	
D....28	. . . 0	not used			MP....18	28.21.2408	2	pcs	Rohrniete 3*6	
D....29	. . . 0	not used			MP....19	1.010.200.64	1	pcs	Litze schwarz	
D....30	50.04.0105	1N4004		any	MP....20	1.010.202.64	1	pcs	Litze rot	
D....31	50.04.0105	1N4004		any	MP....21	55.15.0101	1	pcs	Lampenhalter	
D....32	50.04.0105	1N4004		any	MP....22	53.03.0145	2	pcs	Fuseholder	
D....33	50.04.0105	1N4004		any	MP....23	55.15.0143	1	pcs	Tastenkнопf	
D....34	50.04.0105	1N4004		any	02 MP....24	50.20.2002	3	pcs	Montageclip TO 126	
D....35	50.04.0125	1N4448		any	MP....25	50.20.0314	3	pcs	Glimmer TO 126	
D....36	50.04.0125	1N4448		any	MP....26	1.010.013.23	2	pcs	U-Scheibe St D 3,1/ 6 *1	
D....37	50.04.0125	1N4448		any	MP....27	43.01.0108	1	pcs	ESE-Warnschild	
D....38	50.04.0105	1N4004		any	MP....28	. . . 0	not used			
D....39	50.04.0105	1N4004		any	MP....29	1.918.088.04	1	pcs	Nr-Schild	
D....40	50.04.0125	1N4448		any	MP....30	54.01.0020	7	pcs	PCB Connector P20..22, P36..39	
D....41	50.04.0125	1N4448		any	01 MP....31	64.01.0309	90	mm	Schalt draht iso, min D=0.6 mm	
D....42	50.04.0125	1N4448		any	02 MP....32	65.99.0111	2*30	mm	PTFE-Schlauch Spez. 0.89 * 0.152mm.	
D....43	50.04.0125	1N4448		any						
D....44	50.04.0127	BAT 85	U=30V I=0.2A	any	P....1	54.14.2075	2*20	Pol	PCB Flat-cabel connector	Ya
D....45	50.04.0125	1N4448		any	P....2	54.14.2074	2*13	Pol	PCB Flat-cabel connector	Ya
D....46	50.04.0125	1N4448		any	P....3	54.14.2074	2*13	Pol	PCB Flat-cabel connector	Ya
D....47	50.04.0125	1N4448		any	P....4	. . . 0	not used			
D....48	50.04.0125	1N4448		any	P....5	54.13.0012	15	Pol	D-Type	
D....49	50.04.0125	1N4448		any	P....6	54.42.0020	3	Pol	Mains Connector	
D....50	50.04.0125	1N4448		any	P....7	. . . 0	not used			
D....51	50.04.0133	BAV 20	150V	any	P....8	. . . 0	not used			
D....52	50.04.0133	BAV 20	150V	any	P....9	. . . 0	not used			
D....53	50.04.0133	BAV 20	150V	any	P....10	54.02.0320	2.8mm		Flat Pin Connector	
DL....1	. . .	LY3360	LED 3.18mm gb *LED PCB*		P....11	54.02.0320	2.8mm		Flat Pin Connector	
DL....2	. . .	LY3360	LED 3.18mm gb *LED PCB*		P....12	54.02.0320	2.8mm		Flat Pin Connector	
DL....3	. . .	LY3360	LED 3.18mm rt *LED PCB*		P....13	54.02.0320	2.8mm		Flat Pin Connector	
DL....4	. . .	LY3360	LED 3.18mm gb *LED PCB*		P....14	. . . 0	not used			
DL....5	. . .	LY3360	LED 3.18mm gb *LED PCB*		P....15	. . . 0	not used			
DL....6	. . .	LY3360	LED 3.18mm rt *LED PCB*		P....16	. . . 0	not used			
DL....7	. . .	LY3360	LED 3.18mm rt *LED PCB*		P....17	. . . 0	not used			
DL....8	. . .	MW5753	rt/dif 5.6mm *LED PCB*		P....18	. . . 0	not used			
DL....9	50.04.2155	ER 300	rt/clear 5.6mm (SCHALTER)	Sty	P....19	. . . 0	not used			
DLQ...1	50.04.3200	CNY	17-2 DIL6	Sie	P....20	. . . 0	3	Pol	PCB Connector P20..22, see MP 30	
DLQ...2	50.04.3200	CNY	17-2 DIL6	Sie	P....21	. . . 0	not used			
DV....1	. . .	Z 7.5V	500 mW *LED PCB*		P....22	54.11.0136	2*3	Pol	PCB Connector P24..29	
DV....2	50.04.1117	Z12 V	500 mW	any	P....30	54.11.0136	2*3	Pol	PCB Connector P30..35	
DV....3	50.04.1114	Z10 V	500 mW	any	P....36	. . . 0	4	Pol	PCB Connector P36..39, see MP 30	
DV....4	. . .	Z 7.5V	500 mW *LED PCB*							
DV....5	50.04.1117	Z12 V	500 mW	any	Q....1	50.03.0345	2N 6476		PNP	RCA
DV....6	50.04.1108	Z 5.6V	500 mW	any	Q....2	50.03.0351	BC 327-25		PNP	any
DV....7	50.04.1112	Z 5.1V	500 mW	any	Q....3	50.03.0495	BD 135-16		NPN	Ph
DV....8	50.10.0106	TL 431CLP	Shunt-Regulator	TI	Q....4	50.03.0515	BC 307B		PNP	any
DV....9	50.10.0106	TL 431CLP	Shunt-Regulator	TI	Q....5	50.03.0351	BC 327-25		PNP	any
DV....10	50.04.1108	Z 5.6V	500 mW	any	Q....6	50.03.0510	BD 136-16		PNP	Ph
DV....11	. . .	Z 2.7V	500 mW *LED PCB*		Q....7	50.03.0515	BC 307B		PNP	any
F....1	51.01.0120	2.0 A	traege/slow blow		Q....8	50.03.0436	BC 237B		NPN	any
F....2	51.01.0123	4.0 A	traege/slow blow		Q....9	50.03.0436	BC 237B		NPN	any
F....3	51.01.0123	4.0 A	traege/slow blow		Q....10	50.03.0345	2N 6476		PNP	RCA
IC....1	50.05.0286	LM 358 P	dual op.amp.	TI	Q....11	50.03.0351	BC 327-25		PNP	Ph
IC....2	50.10.0105	LM 337KZ	voltage regulator -1.2..37V	NS	Q....12	50.03.0451	BD 139-10		NPN	any
IC....3	50.05.0286	LM 358 P	dual op.amp.	TI	Q....13	50.03.0436	BC 237B		NPN	any
IC....4	50.09.0103	TL 071	single FET-op.amp.	TI	Q....14	50.03.0436	BC 237B		NPN	any
IC....5	50.05.0286	LM 358 P	dual op.amp.	TI	Q....15	50.08.0001	MAC 97-4		Triac UAC=200V IAC=0.6A	Mot
IC....6	50.05.0286	LM 358 P	dual op.amp.	TI	R....1	57.56.4188	0.180hm	4	Watt 5%	
IC....7	. . . 0	not used			R....2	57.11.3181	180	Ohm		
IC....8	. . . 0	not used			R....3	57.11.3272	2.7kOhm			
IC....9	. . . 0	not used			R....4	57.11.3309	3.0	Ohm		
IC....10	. . . 0	not used			R....5	57.11.3102	1	kOhm		
IC....11	50.07.0014	40106	CMOS Hex inv. Schmitt Trigger	Ph	R....6	57.19.0100	10	Ohm	Sicherungswid./safety R /I\	
IC....12	50.07.0081	4081	CMOS Quad 2-Input AND Gate	Ph	R....7	57.11.3103	10	kOhm		
IC....13	50.07.0049	4049	CMOS hex inverting buffer	Ph	R....8	57.56.2010	10	mOhm	3 Watt	
IC....14	50.07.0027	4027	CMOS Dual JK-flip-flop	Ph	R....9	57.11.3102	1	kOhm		
IC....15	50.07.0081	4081	CMOS Quad 2-Input AND Gate	Ph	R....10	57.11.3102	1	kOhm		
IC....16	50.07.0049	4049	CMOS hex inverting buffer	Ph	R....11	. . .	820	Ohm	*LED PCB*	
J....1	54.01.0288	5 Pol	Cis		R....12	57.11.3821	820	Ohm		
J....2	54.01.0216	6 Pol	Cis		R....13	57.11.3102	1	kOhm		
J....3	54.01.0216	6 Pol	Cis		R....14	57.11.3102	1	kOhm		
J....4	. . . 0	not used			R....15	57.11.3821	820	Ohm		
J....5	54.01.0021	Jumper	see also P20, ON-Switch toggle/steady		R....16	. . .	500	Ohm	22-turn poti *LED PCB* Adj. +/-12V	
J....6	54.01.0021	Jumper	see also P24, Venti steady/interm./off		R....17	57.11.3121	120	Ohm		
J....7	54.01.0021	Jumper	see also P30, Phantom 48/24/12V		R....18	57.11.3203	20	kOhm		
					R....19	57.11.3102	1	kOhm		
					R....20	57.11.3103	10	kOhm		



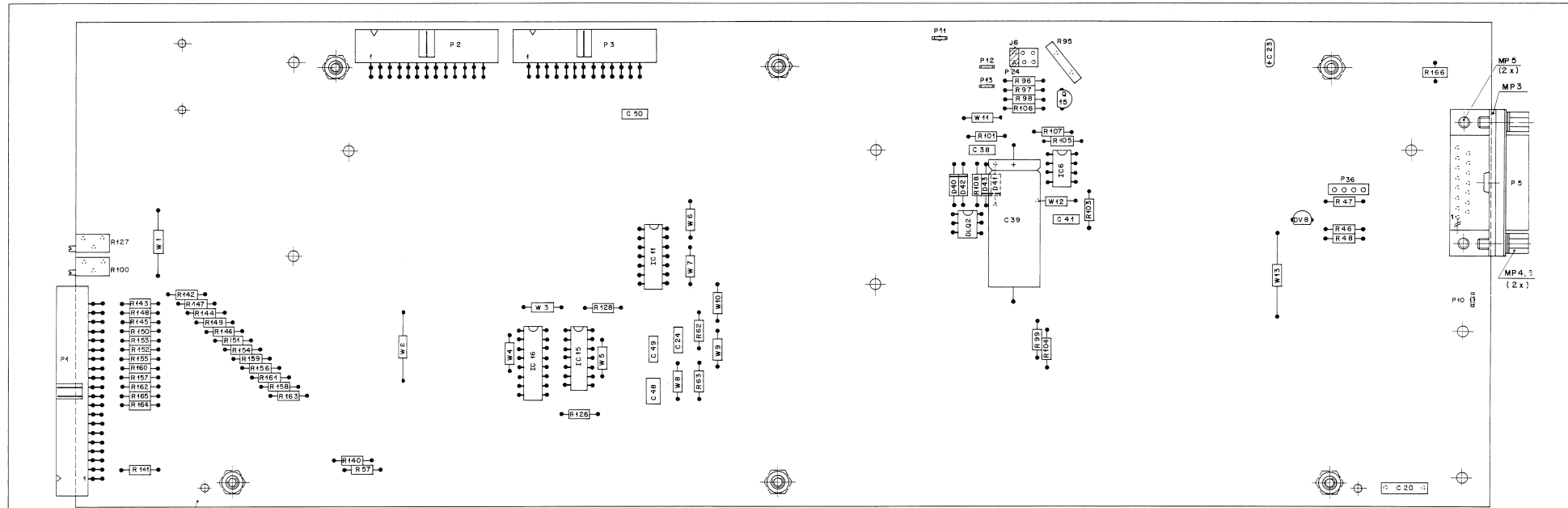
PHANTOM S.B. ±12V BOARD

1.918.088.00

Ad	..POS..	..REF.No...	DESCRIPTION.....	MANUFACTURER	Ad	..POS..	..REF.No...	DESCRIPTION.....	MANUFACTURER
R....21		57.56.2010	10 mOhm 3 Watt		R...111		57.11.3104	100 kOhm	
R....22			820 Ohm		R...112		57.11.3103	10 kOhm	
R....23		57.11.3821	820 Ohm	*LED PCB*	R...113		57.11.3105	1.0MOhm	
R....24		57.11.3102	1 kOhm		R...114		57.11.3104	100 kOhm	
R....25		57.11.3102	1 kOhm		R...115			1 kOhm	*LED PCB*
R....26		57.11.3102	1 kOhm		R...116			1 kOhm	*LED PCB*
R....27		57.11.3105	1 MOhm		R...117			1 kOhm	*LED PCB*
R....28		57.11.5335	3.3MOhm		R...118		57.11.3471	470 Ohm	
R....29		57.11.3103	10 kOhm		R...119		57.11.3101	100 Ohm	
R....30		57.11.3153	15 kOhm		R...120		57.11.3101	100 Ohm	
R....31		57.11.5106	10 MOhm		R...121		57.11.3102	1 kOhm	
R....32		57.11.3222	2.2kOhm		R...122		57.11.3103	10 kOhm	
R....33		57.11.3100	10 Ohm		R...123		57.11.3102	1 kOhm	
R....34		57.11.3102	1 kOhm		R...124		57.11.5335	3.3MOhm	
R....35		57.11.3102	1 kOhm		R...125		57.11.5335	3.3MOhm	
R....36		57.11.3102	1 kOhm		R...126		57.11.3473	47 kOhm	
R....37		0	not used		R...127		58.05.0104	100 kOhm	22-turn poti ON-Delay
02 R....38		57.99.0803	470 kOhm	NTC, 10%	R...128		57.11.3105	1.0MOhm	
R....39		57.11.3103	10 kOhm		R...129		57.11.3101	100 Ohm	
R....40		57.11.3563	56 kOhm	Sie.	R...130		0	not used	
R....41		57.11.3683	68 kOhm		R...131		0	not used	
R....42		57.11.3104	100 kOhm		R...132		0	not used	
R....43		57.11.3104	100 kOhm		R...133		0	not used	
R....44		57.11.3470	47 Ohm		R...134		0	not used	
R....45		57.11.3103	10 kOhm		R...135		0	not used	
R....46		57.11.3471	470 Ohm		R...136		0	not used	
R....47		57.11.3202	2.0kOhm		R...137		0	not used	
R....48		57.11.3332	3.3kOhm		R...138		0	not used	
R....49		57.92.7012	0.3 A	Poly-PTC Ihold=0.3A	R...139		0	not used	
R....50		57.11.3471	470 Ohm		R...140		57.11.3102	1 kOhm	
R....51		57.11.3102	1 kOhm		R...141		57.11.3102	1 kOhm	
R....52		57.11.3271	270 Ohm		R...142		57.11.3102	1 kOhm	
R....53		500 Ohm	22-turn poti	*LED PCB* Adj. Phantom	R...143		57.11.3102	1 kOhm	
R....54		57.11.3569	5.6 Ohm		R...144		57.11.3102	1 kOhm	
R....55		57.11.3109	1.0 Ohm		R...145		57.11.3102	1 kOhm	
R....56		57.11.3102	1 kOhm		R...146		57.11.3102	1 kOhm	
R....57		57.99.0206	50 Ohm	PTC	R...147		57.11.3102	1 kOhm	
R....58		57.11.3152	1.5kOhm		R...148		57.11.3102	1 kOhm	
R....59		57.11.3102	1 kOhm		R...149		57.11.3102	1 kOhm	
R....60		57.11.3392	3.9kOhm		R...150		57.11.3102	1 kOhm	
R....61		150 Ohm	*LED PCB*		R...151		57.11.3102	1 kOhm	
R....62		57.11.3105	1.0MOhm		R...152		57.11.3102	1 kOhm	
R....63		57.11.3103	10 kOhm		R...153		57.11.3102	1 kOhm	
R....64		57.11.3105	1.0MOhm		R...154		57.11.3102	1 kOhm	
R....65		0	not used		R...155		57.11.3102	1 kOhm	
R....66		0	not used		R...156		57.11.3102	1 kOhm	
R....67		0	not used		R...157		57.11.3102	1 kOhm	
R....68		57.11.3189	1.8 Ohm		R...158		57.11.3102	1 kOhm	
R....69		57.11.3189	1.8 Ohm		R...159		57.11.3102	1 kOhm	
R....70		57.11.3189	1.8 Ohm		R...160		57.11.3102	1 kOhm	
R....71		57.11.3102	1 kOhm		R...161		57.11.3102	1 kOhm	
R....72		57.11.3102	1 kOhm		R...162		57.11.3102	1 kOhm	
R....73		57.11.3181	180 Ohm		R...163		57.11.3102	1 kOhm	
R....74		57.11.3273	27 kOhm		R...164		57.11.3102	1 kOhm	
R....75		57.11.3102	1 kOhm		R...165		57.11.3102	1 kOhm	
R....76		57.11.3150	15 Ohm		R...166		57.11.3103	10 kOhm	
R....77		57.11.3102	1 kOhm		S.....1		55.15.0032	Schadow 2*U Power-0H	
R....78		57.11.3682	6.8kOhm		T.....1		63.20.0101	Netztrafo	Sch
R....79		57.11.3222	2.2kOhm		W.....1		57.11.3000	0 Ohm wiring bridge	
R....80		57.11.3153	15 kOhm		W.....2		1.010.321.64	wire 5mm	
R....81		57.11.3103	10 kOhm		(01) 21.02.91		Better Phantom Performance		
R....82		57.11.3682	6.8kOhm		(02) 23.09.91		Philips NTC Resistor #57.99.0220 is no longer available. R38 is now a Siemens NTC Resistor #57.99.0803 and the leads are insulated with 2 pcs. PTFE-tube #65.99.0111, L=30 mm. (MP32 position). At the MP24 position, one pc. is removed from the board. The MP28 position is no longer used.		
R....83		57.11.3332	3.3kOhm		EL=Electrolytic, PE=Polyester, SAL=Solid Aluminium Lacquered				
R....84		57.11.3104	100 kOhm		MANUFACTURERS: GI=General Instruments, Mot=Motorola, NS=National Semi-conductors, RCA=Radio Corp. of America, Sch=Schaffner, Sie=Siemens, St=Studer, Sty=Stanley				
R....85		470 Ohm	*LED PCB*		TI=Texas Instruments, Ya=Yamaicht,				
R....86		57.11.3309	3.0 Ohm		1.918.088.00		PHANTOM S.B. +/-12V BOARD	AB90/10/2600	
R....87		57.11.3309	3.0 Ohm		1.918.088.00		PHANTOM S.B. +/-12V BOARD	AB91/02/2101	
R....88		57.11.3309	3.0 Ohm		1.918.088.00		PHANTOM S.B. +/-12V BOARD	AB91/09/2302	
R....89		57.11.3104	100 kOhm						
R....90		57.11.3332	3.3kOhm						
R....91		57.11.3152	1.5kOhm						
R....92		57.11.3112	1.1kOhm						
R....93		57.11.3121	120 Ohm						
R....94		57.11.3331	330 Ohm						
R....95		57.92.1221	5.6 Ohm	PTC					
R....96		57.11.3181	180 Ohm						
R....97		57.11.3181	180 Ohm						
R....98		57.11.3181	180 Ohm						
R....99		57.11.3103	10 kOhm						
R...100		58.05.0104	100 kOhm	22-turn poti Fan/Temperature					
R...101		57.11.3222	2.2kOhm						
R...102		57.11.3103	10 kOhm						
R...103		57.11.3473	47 kOhm						
R...104		57.11.3473	47 kOhm						
R...105		57.11.5335	3.3MOhm						
R...106		57.11.3181	180 Ohm						
R...107		57.11.3102	1 kOhm						
R...108		57.11.3222	2.2kOhm						
R...109		57.11.3104	100 kOhm						
R...110		57.11.3104	100 kOhm						

FEED THROUGH BOARD

1.918.089.00



Ad	POS.	REF.No.	DESCRIPTION	MANUFACTURER
C...	20	59.31.8333	33 nF	PE
C...	23	59.26.1220	22 uF	SAL
C...	24	59.06.0104	100 nF	PE
C...	38	59.06.0104	100 nF	PE
C...	39	59.27.0569	5.6uF	60V EL BIPOLAR
C...	41	59.06.0104	100 nF	PE
C...	48	59.06.0105	1 uF	PE
C...	49	59.06.0104	100 nF	PE
C...	50	59.06.0104	100 nF	PE
D...	40	50.04.0125	1M4448	any
D...	41	50.04.0125	1M4448	any
D...	42	50.04.0125	1M4448	any
D...	43	50.04.0125	1M4448	any
DLO...	2	50.04.3200	CNY 17-2 DIL6	Sie
DV...	8	50.04.0106	TL431CLP	Shunt-Regulator
IC...	6	50.05.0286	LM 358 P	dual FET-op.amp.
IC...	11	50.07.0014	40106	CMOS Hex inv. Schmitt trigger
IC...	15	50.07.0081	4081	CMOS Quad 2-Input AND Gate
IC...	16	50.07.0049	4049	CMOS hex inverting buffer
J...	6	54.01.0021	1 pcs	2 Pol Jumper
MP...	1	1.918.088.11	1 pcs	Phantom PCB
MP...	2	1.010.046.22	6 pcs	Wietnutter MP*14.5mm
MP...	3	1.963.001.22	1 pcs	Haltwinkel D 15-Pol
MP...	4	1.010.016.54	2 pcs	Verrriegelugs Gew. Bolzen
MP...	5	21.13.0354	2 pcs	Z-Schraube M3*5mm rostfrei
MP...	6	24.16.1030	4 pcs	Rippenscheibe M3
MP...	7	54.01.0020	4 pcs	Test-Connector see also P 36
MP...	8	43.01.0108	1 pcs	ESE Warnschild
P...	1	54.14.2075	1 pcs	2*20 Pin PCB Flat-cable connector
P...	2	54.14.2074	1 pcs	2*13 Pin PCB Flat-cable connector
P...	3	54.14.2074	1 pcs	2*13 Pin PCB Flat-cable connector
P...	5	54.13.0012	1 pcs	15 Pol D-Type connector
P...	10	54.02.0320	1 pcs	2.8mm Faston-connector Chassis
P...	11	54.02.0320	1 pcs	2.8mm Faston-connector 0 V
P...	12	54.02.0320	1 pcs	2.8mm Faston-connector AC-Input for Fan
P...	13	54.02.0320	1 pcs	2.8mm Faston-connector AC-Input for Fan
P...	24	54.11.0136	1 pcs	2* 3 Pin connector P24...P29

Ad	POS.	REF.No.	DESCRIPTION	MANUFACTURER
P...	36	0	4 Pin Test conn.	P36...P39, see MP 7
Q...	15	50.08.0001	MAC 97-4	Triac UAC=200V IAC=0.6A
R...	46	57.11.3471	470 Ohm	
R...	47	57.11.3202	2.0kOhm	
R...	48	57.11.3332	3.3kOhm	
R...	57	57.99.0206	50 Ohm	PTC
R...	62	57.11.3105	1 Mohm	
R...	63	57.11.3103	10 kohm	
R...	95	57.92.1221	5.6 Ohm	
R...	96	57.11.3181	180 Ohm	PTC
R...	97	57.11.3181	180 Ohm	
R...	98	57.11.3181	180 Ohm	
R...	99	57.11.3103	10 kohm	
R...	100	58.05.0104	100 kohm	22-turn poti
R...	101	57.11.3222	2.2kOhm	
R...	103	57.11.3473	47 kohm	
R...	104	57.11.3473	47 kohm	
R...	105	57.11.5335	3.3Mohm	
R...	106	57.11.3181	180 Ohm	
R...	107	57.11.3102	1 kohm	
R...	108	57.11.3222	2.2kOhm	
R...	126	57.11.3473	47 kohm	
R...	127	58.05.0104	100 kohm	
R...	128	57.11.3105	1 Mohm	22-turn poti
R...	140	57.11.3102	1 kohm	
R...	141	57.11.3102	1 kohm	
R...	142	57.11.3102	1 kohm	
R...	143	57.11.3102	1 kohm	
R...	144	57.11.3102	1 kohm	
R...	145	57.11.3102	1 kohm	
R...	146	57.11.3102	1 kohm	
R...	147	57.11.3102	1 kohm	
R...	148	57.11.3102	1 kohm	
R...	149	57.11.3102	1 kohm	
R...	150	57.11.3102	1 kohm	
R...	151	57.11.3102	1 kohm	
R...	152	57.11.3102	1 kohm	
R...	153	57.11.3102	1 kohm	

Ad	POS.	REF.No.	DESCRIPTION	MANUFACTURER
R...	154	57.11.3102	1 kohm	
R...	156	57.11.3102	1 kohm	
R...	157	57.11.3102	1 kohm	
R...	158	57.11.3102	1 kohm	
R...	159	57.11.3102	1 kohm	
R...	160	57.11.3102	1 kohm	
R...	161	57.11.3102	1 kohm	
R...	162	57.11.3102	1 kohm	
R...	163	57.11.3102	1 kohm	
R...	164	57.11.3102	1 kohm	
R...	165	57.11.3102	1 kohm	
R...	166	57.92.1121	15 Ohm	PTC
W...	1	57.11.3000	0 Ohm	Wiring bridge
W...	2	57.11.3000	0 Ohm	Wiring bridge
W...	3	57.11.3000	0 Ohm	Wiring bridge
W...	4	57.11.3000	0 Ohm	Wiring bridge
W...	5	57.11.3000	0 Ohm	Wiring bridge
W...	6	57.11.3000	0 Ohm	Wiring bridge
W...	7	57.11.3000	0 Ohm	Wiring bridge
W...	8	57.11.3000	0 Ohm	Wiring bridge
W...	9	57.11.3000	0 Ohm	Wiring bridge
W...	10	57.11.3000	0 Ohm	Wiring bridge
W...	11	57.11.3000	0 Ohm	Wiring bridge
W...	12	57.11.3000	0 Ohm	Wiring bridge
W...	13	57.11.3000	0 Ohm	Wiring bridge

EL=Electrolytic, PE=Polyester, SAL=Solid AluminiumLacquered

MANUFACTURER: CI=General Instruments, PH=Philips, NS=National, Samicom
 Sie=Siemens, St=Studer, TI=Texas Instrument, Ya=Yamaichi
 1.918.089.00 FEED THROUGH BOARD AB 90/11/1400

Section 9 Floppy Controller, HDLC - and HOST Processor

Table of Contents

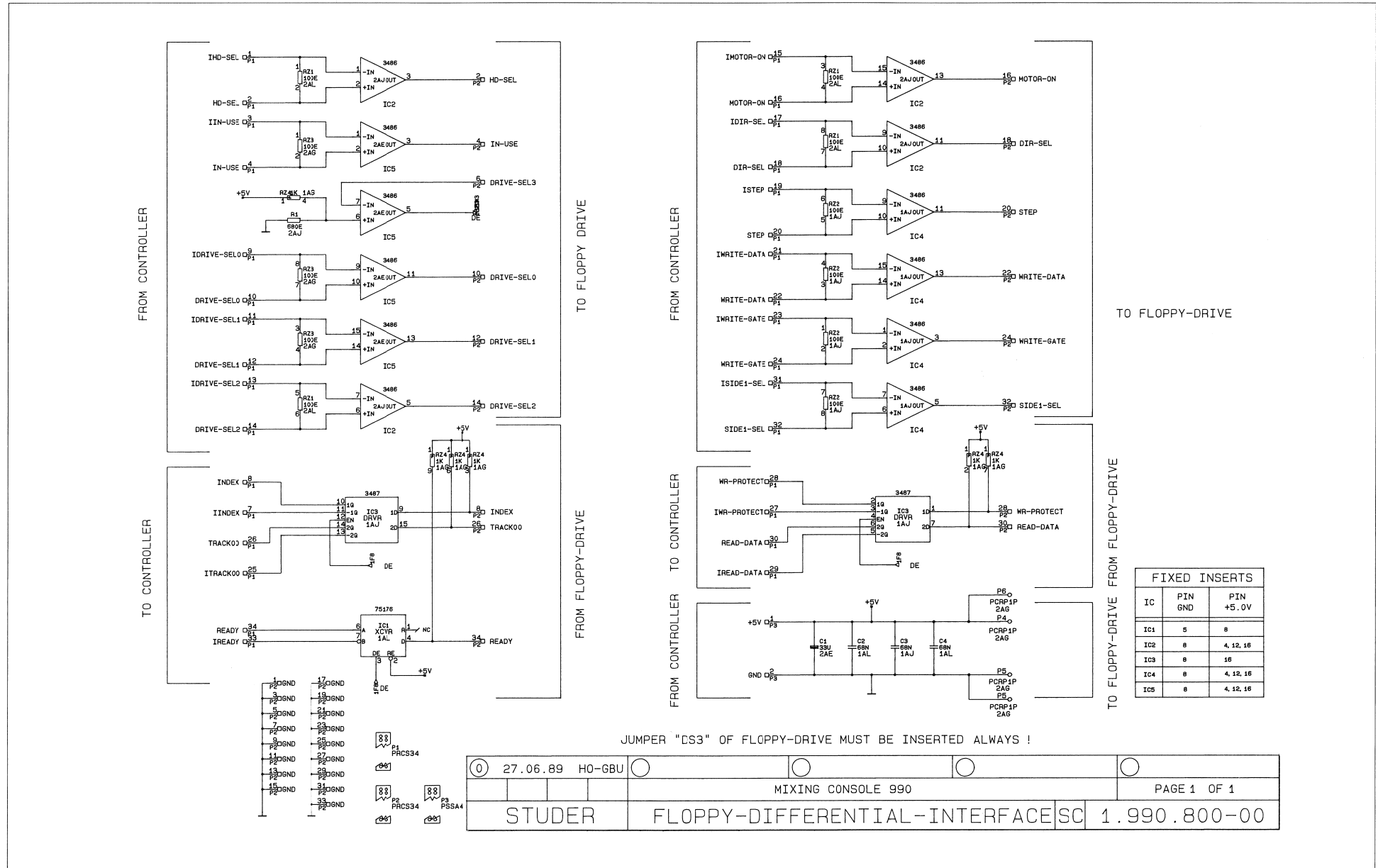
Floppy-Differential-Interface.....		1.990.800.00
Floppy Disk Unit		1.990.800.00
VME-Motherboard		1.990.920.00
System Panel.....		1.990.921.00
User Mother Board.....		1.990.922.00
VME Mother Board (MKII)		1.990.923.00
User Mother Board (MKII)		1.990.924.00
512K Sram-Module.....		1.990.931.00
CPU 68000/VME-Bus Drivers	1 of 12	1.990.932.21
DMA.....	2 of 12	1.990.932.21
Power on/Reset/Clock	3 of 12	1.990.932.21
Address Decoder	4 of 12	1.990.932.21
DTACK Generator	5 of 12	1.990.932.21
System EPROM.....	6 of 12	1.990.932.21
SRAM Socket.....	7 of 12	1.990.932.21
Interrupt Handling	8 of 12	1.990.932.21
VME-Bus Control/Bus-Release.....	9 of 12	1.990.932.21
PIT/RTC.....	10 of 12	1.990.932.21
SCC	11 of 12	1.990.932.21
Supply Connections/FPCP Socket.....	12 of 12	1.990.932.21
HOST Processor.....		1.990.930.30
CPU 68000.....		1.990.932.21
SCSI & Floppy Controller.....		1.990.935.00
HDLC Controller/CPU + Supply	1 of 15	1.990.940.20
DMA.....	2 of 15	1.990.940.20
Power on/Reset/Clock	3 of 15	1.990.940.20
Address Decoder	4 of 15	1.990.940.20
DTACK Generator	5 of 15	1.990.940.20
System EPROM.....	6 of 15	1.990.940.20

STUDER AUDIO CONSOLE 990

SRAM Socket	7 of 15.....	1.990.940.20
Interrupt Handling.....	8 of 15.....	1.990.940.20
Dual Port RAM.....	9 of 15.....	1.990.940.20
Dual Port RAM.....	10 of 15.....	1.990.940.20
High-Level Serial Comm. Controller	11 of 15.....	1.990.940.20
HDLC Master Driver	12 of 15.....	1.990.940.20
PIT	13 of 15.....	1.990.940.20
ACIA.....	14 of 15.....	1.990.940.20
Interrupt Generator.....	15 of 15.....	1.990.940.20
HDLC Controller.....		1.990.940.20
PLCC 44-Wrap Adapter		1.990.941.00
Arcnet Controller.....		1.990.945.00
HOST Processor MKII.....		1.990.950.20
HOST Adapter.....	1 of 4.....	1.990.951.00
HOST Adapter.....	2 of 4.....	1.990.951.00
HOST Adapter.....	3 of 4.....	1.990.951.00
HOST Adapter.....	4 of 4.....	1.990.951.00
HOST Piggy Back.....		1.990.952.00
Display Board.....		1.990.953.00
Disc Controller	1 of 4.....	1.990.955.20
Disc Controller	2 of 4.....	1.990.955.20
Disc Controller	3 of 4.....	1.990.955.20
Disc Controller	4 of 4.....	1.990.955.20
HDLC Controller.....		1.990.960.20
Arcnet Controller MKII		1.990.965.00
Time Code Interface	1 of 5.....	1.990.967.20
Time Code Interface	2 of 5.....	1.990.967.20
Time Code Interface	3 of 5.....	1.990.967.20
Time Code Interface	4 of 5.....	1.990.967.20
Time Code Interface	5 of 5.....	1.990.967.20

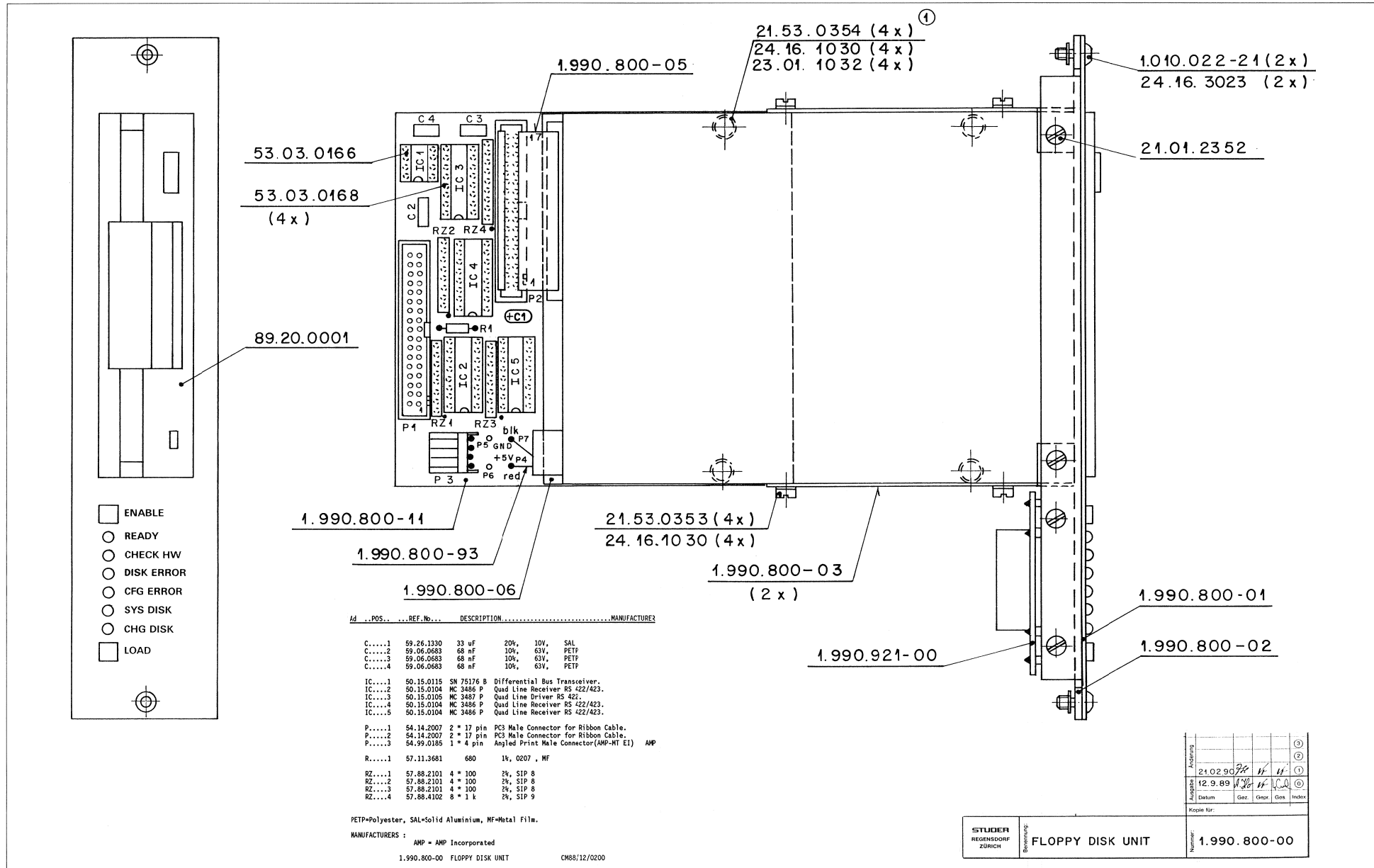
FLOPPY-DIFFERENTIAL-INTERFACE

1.990.800.00



FLOPPY DISK UNIT

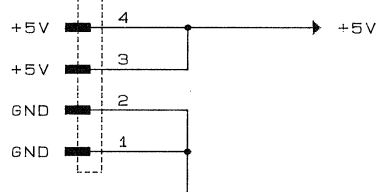
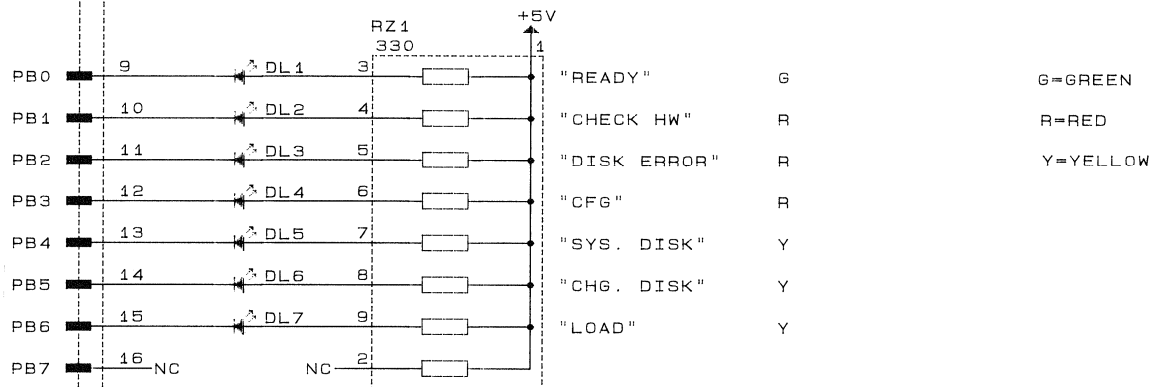
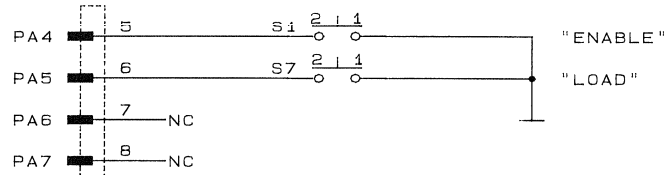
1.990.800.00



SYSTEM PANEL

1.990.921.00

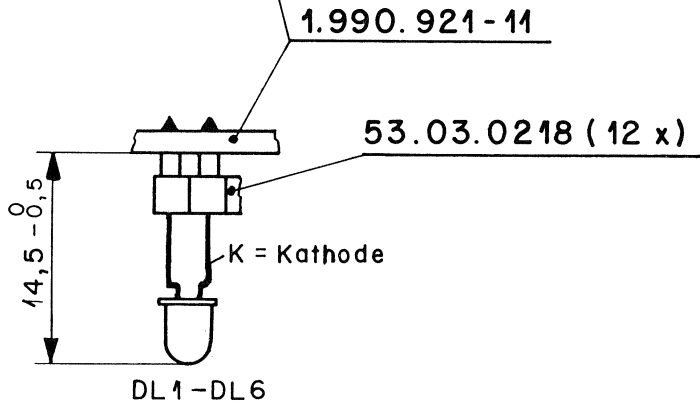
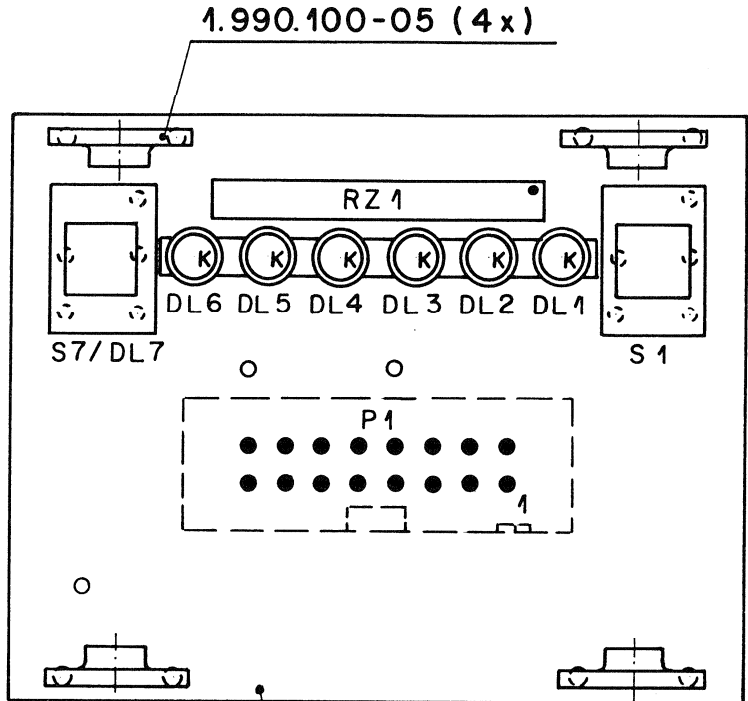
P1 (16 POL.)



8.6.89 RP/CHE				
MIXING CONSOLE 990			PAGE 1 OF 1	
STUDER	SYSTEM PANEL		SC	1.990.921.00

SYSTEM PANEL

1.990.921.00



Ad	..POS.	..REF.No.	DESCRIPTION	MANUFACTURER
DL....1	50.04.2131	LG 3360-K	LED, Diffused green	Sie
DL....2	50.04.2129	LS 3360-K	LED, Diffused red	Sie
DL....3	50.04.2129	LS 3360-K	LED, Diffused red	Sie
DL....4	50.04.2129	LS 3360-K	LED, Diffused red	Sie
DL....5	50.04.2130	LY 3360-K	LED, Diffused yellow	Sie
DL....6	50.04.2130	LY 3360-K	LED, Diffused yellow	Sie
DL....7	.	.	see Note	

P....1 54.14.2002 2 * 8 pins Male PCB-Connector for Ribbon Cable
 RZ....1 57.88.4331 8 * 330 Resistor Network, 2%, SIP9
 S....1 55.15.0604 1 * A Momentary Key Switch, wht. cap/yel. LED ddm
 S....7 55.15.0604 1 * A Momentary Key Switch, wht. cap/yel. LED ddm

Note: LED DL1 to DL6 are plugged into one row female header #53.03.0218 (1 * 12 pcs.)
 LED DL7 is part of S7 device.

MANUFACTURERS :
 ddm = Hopt + Schuler
 Sie = Siemens

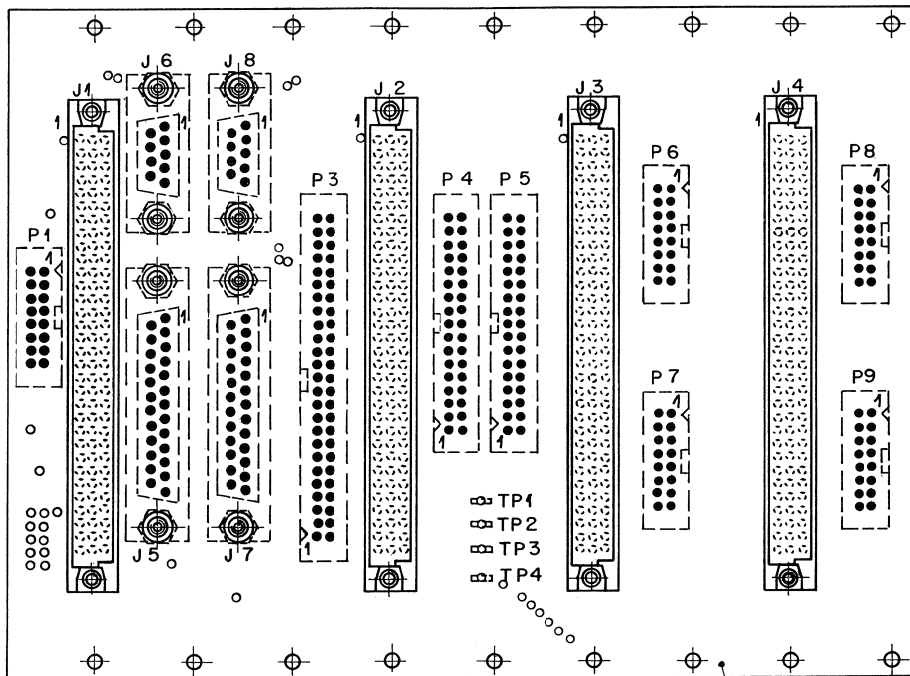
1.990.921-00 SYSTEM PANEL

CM89/07/0400

© 29.11.89			
STUDER RECHENUNGS ZÜRICH	SYSTEM PANEL	1.990.921-00	

USER MOTHER BOARD

1.990.922.00

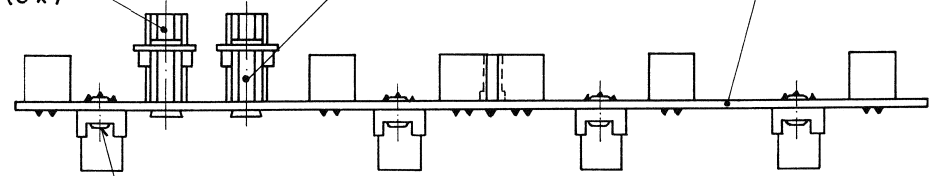


Ad	POS.	REF.No.	DESCRIPTION	MANUFACTURER
J.....1	54.11.2024	3*32 pins	Straight Female Eurocard-Connector	
J.....2	54.11.2024	3*32 pins	Straight Female Eurocard-Connector	
J.....3	54.11.2024	3*32 pins	Straight Female Eurocard-Connector	
J.....4	54.11.2024	3*32 pins	Straight Female Eurocard-Connector	
J.....5	54.13.0023	25 pins	Straight PCB D-Type Female Connector	
J.....6	54.13.0021	9 pins	Straight PCB D-Type Female Connector	
J.....7	54.13.0023	25 pins	Straight PCB D-Type Female Connector	
J.....8	54.13.0021	9 pins	Straight PCB D-Type Female Connector	
P.....1	54.14.2002	2*8 pins	Straight PCB Male Connector for Ribbon Cable	
P.....2			Not tipped	
P.....3	54.14.2005	2*25 pins	Straight PCB Male Connector for Ribbon Cable	
P.....4	54.14.2007	2*17 pins	Straight PCB Male Connector for Ribbon Cable	
P.....5	54.14.2007	2*17 pins	Straight PCB Male Connector for Ribbon Cable	
P.....6	54.14.2002	2*8 pins	Straight PCB Male Connector for Ribbon Cable	
P.....7	54.14.2002	2*8 pins	Straight PCB Male Connector for Ribbon Cable	
P.....8	54.14.2002	2*8 pins	Straight PCB Male Connector for Ribbon Cable	
P.....9	54.14.2002	2*8 pins	Straight PCB Male Connector for Ribbon Cable	
TP....1	54.02.0320	2.8 * 0.8	Straight PCB Faston-Connector	
TP....2	54.02.0320	2.8 * 0.8	Straight PCB Faston-Connector	
TP....3	54.02.0320	2.8 * 0.8	Straight PCB Faston-Connector	
TP....4	54.02.0320	2.8 * 0.8	Straight PCB Faston-Connector	
1.990.922-00 PROCESSOR & DISC MOTHERBOARD RP89/05/2900				

1.010.035 - 54 (8 x)
24.16.1030 (8 x)

1.010.055 - 22 (8 x)

1.990.922-11



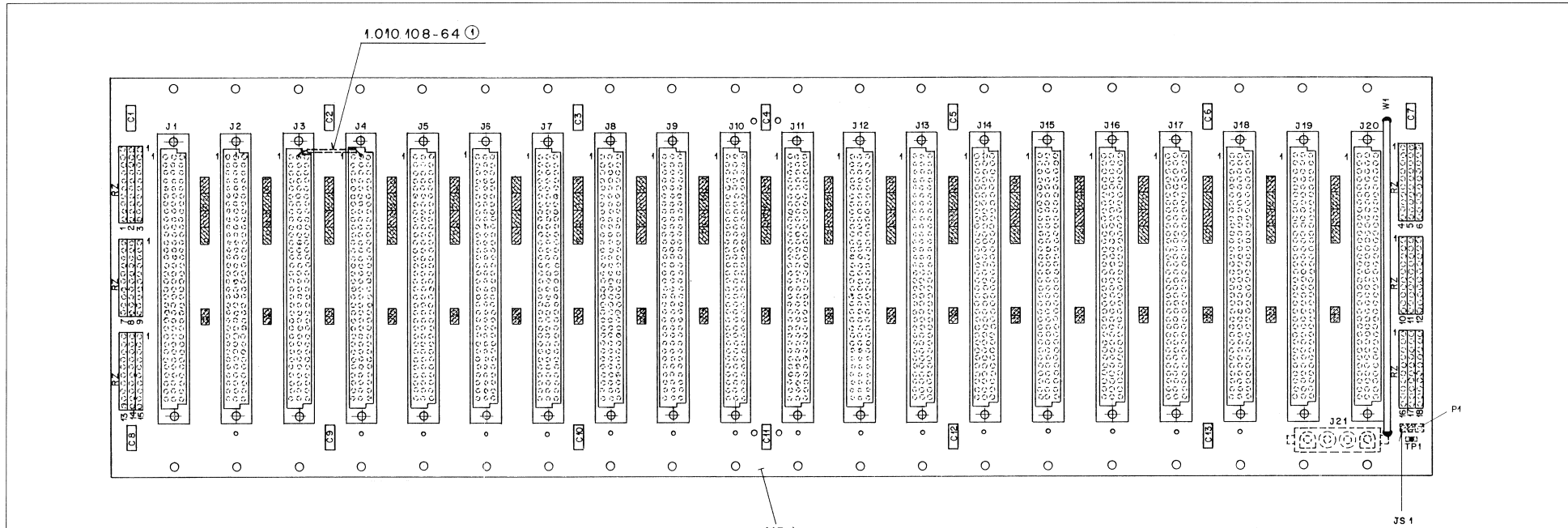
28.21.1380 (8 x)

STUDER REGENSDORF ZÜRICH	Benennung: USER MOTHER BOARD	Nummer: 1.990.922-00	Kopie für:			

Autoren					
Datum	8.3.90	Gez.	Gepr.	Ges.	Index

VME MOTHER BOARD (MKII)

1.990.923.00



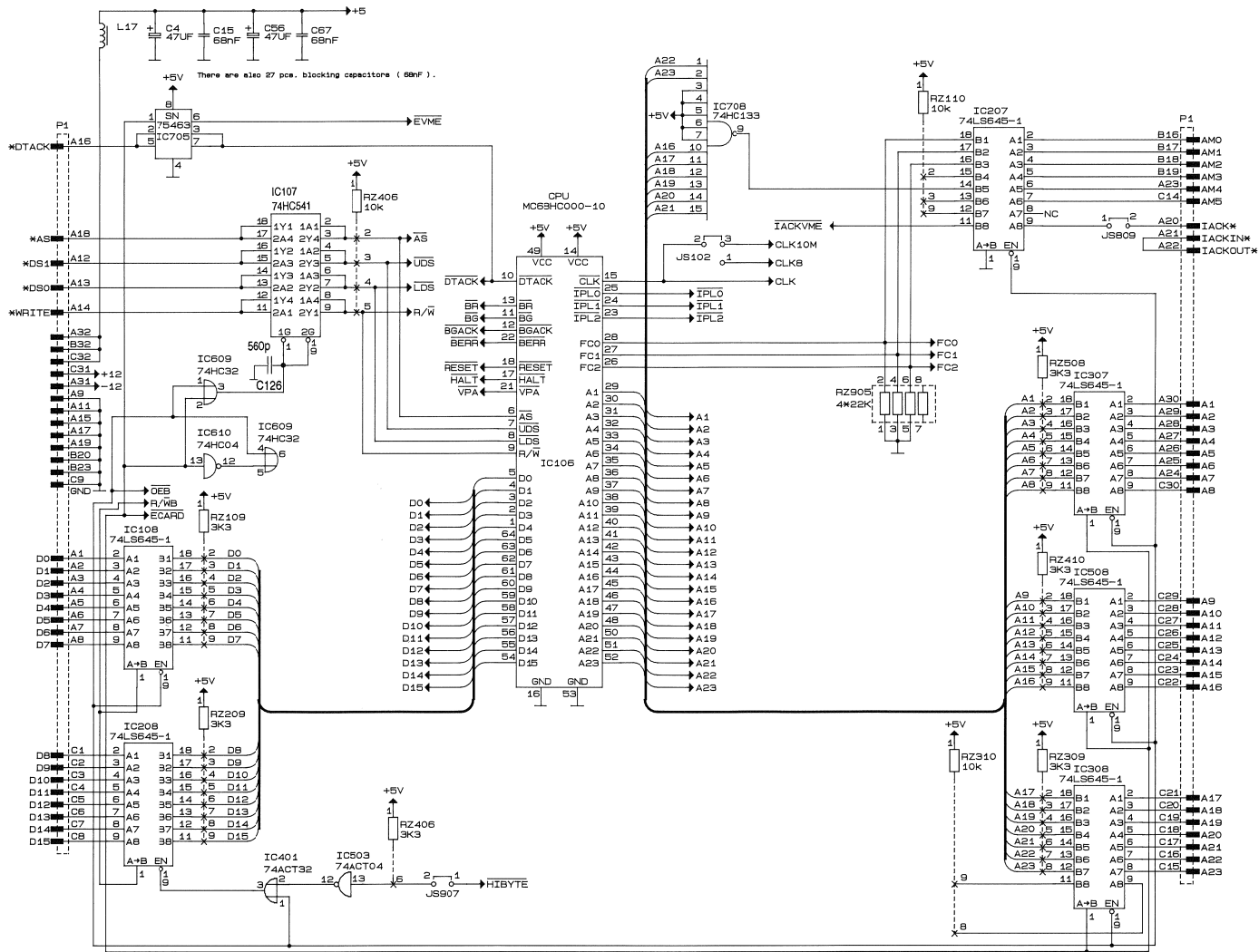
Ad	POS.	REF. No.	DESCRIPTION	MANUFACTURER	Ad	POS.	REF. No.	DESCRIPTION	MANUFACTURER
C....1		59.06.0104	.1 U 10%, 63V, PETP		RZ...1	57.80.4001	330/470	Network, 16%, 2%, SIP10	
C....2		59.06.0104	.1 U 10%, 63V, PETP		RZ...2	57.80.4001	330/470	Network, 16%, 2%, SIP10	
C....3		59.06.0104	.1 U 10%, 63V, PETP		RZ...3	57.80.4001	330/470	Network, 16%, 2%, SIP10	
C....4		59.06.0104	.1 U 10%, 63V, PETP		RZ...4	57.80.4001	330/470	Network, 16%, 2%, SIP10	
C....5		59.06.0104	.1 U 10%, 63V, PETP		RZ...5	57.80.4001	330/470	Network, 16%, 2%, SIP10	
C....6		59.06.0104	.1 U 10%, 63V, PETP		RZ...6	57.80.4001	330/470	Network, 16%, 2%, SIP10	
C....7		59.06.0104	.1 U 10%, 63V, PETP		RZ...7	57.80.4001	330/470	Network, 16%, 2%, SIP10	
C....8		59.06.0104	.1 U 10%, 63V, PETP		RZ...8	57.80.4001	330/470	Network, 16%, 2%, SIP10	
C....9		59.06.0104	.1 U 10%, 63V, PETP		RZ...9	57.80.4001	330/470	Network, 16%, 2%, SIP10	
C....10		59.06.0104	.1 U 10%, 63V, PETP		RZ...10	57.80.4001	330/470	Network, 16%, 2%, SIP10	
C....11		59.06.0104	.1 U 10%, 63V, PETP		RZ...11	57.80.4001	330/470	Network, 16%, 2%, SIP10	
C....12		59.06.0104	.1 U 10%, 63V, PETP		RZ...12	57.80.4001	330/470	Network, 16%, 2%, SIP10	
C....13		59.06.0104	.1 U 10%, 63V, PETP		RZ...13	57.80.4001	330/470	Network, 16%, 2%, SIP10	
J....1		54.11.2011	EURO 3 * 32, TYP C, PRINT		RZ...14	57.80.4001	330/470	Network, 16%, 2%, SIP10	
J....2		54.11.2011	EURO 3 * 32, TYP C, PRINT		RZ...15	57.80.4001	330/470	Network, 16%, 2%, SIP10	
J....3		54.11.2011	EURO 3 * 32, TYP C, PRINT		RZ...16	57.80.4001	330/470	Network, 16%, 2%, SIP10	
J....4		54.11.2011	EURO 3 * 32, TYP C, PRINT		RZ...17	57.80.4001	330/470	Network, 16%, 2%, SIP10	
J....5		54.11.2011	EURO 3 * 32, TYP C, PRINT		RZ...18	57.80.4001	330/470	Network, 16%, 2%, SIP10	
J....6		54.11.2011	EURO 3 * 32, TYP C, PRINT		TP....1	54.02.0320	2.8 * 0.8	Straight PCB Faston-Connector	
J....7		54.11.2011	EURO 3 * 32, TYP C, PRINT		W....1	1.617.175.02		Ground Bridge	St
J....8		54.11.2011	EURO 3 * 32, TYP C, PRINT		Manufacturer: St = Studer				
J....9		54.11.2011	EURO 3 * 32, TYP C, PRINT		1.990.923.00 VME MOTHERBOARD MK2 HUB92/07/1500				
J....10		54.11.2011	EURO 3 * 32, TYP C, PRINT						
J....11		54.11.2011	EURO 3 * 32, TYP C, PRINT						
J....12		54.11.2011	EURO 3 * 32, TYP C, PRINT						
J....13		54.11.2011	EURO 3 * 32, TYP C, PRINT						
J....14		54.11.2011	EURO 3 * 32, TYP C, PRINT						
J....15		54.11.2011	EURO 3 * 32, TYP C, PRINT						
J....16		54.11.2011	EURO 3 * 32, TYP C, PRINT						
J....17		54.11.2011	EURO 3 * 32, TYP C, PRINT						
J....18		54.11.2011	EURO 3 * 32, TYP C, PRINT						
J....19		54.11.2011	EURO 3 * 32, TYP C, PRINT						
J....20		54.11.2011	EURO 3 * 32, TYP C, PRINT						
J....21		54.25.0004	1*4 pins PCB Female Power-Connector						
JS....1		.. 0	not used Jumpers see MP3						
MP....1		1.617.175.12	VME MOTHER PCB						
MP....2		1.990.923.04	NR.-ETIKETTE 5 * 20						
MP....3		54.01.0021	96 pcs Jumper						
MP....4		54.01.0020	193 pcs Pin						
P....1		.. 0	not used Pins see MP4						

STUDER REGENSdorf ZÜRICH	Benennung	VME Mother Board MK II.	1.990.923-00
--------------------------------	-----------	----------------------------	--------------

Abgegeben	11.9.92	Re	16	③
Datum	15.7.92	Re	16	①
Kopie für				

CPU 68000 CPU / VME-BUS DRIVERS

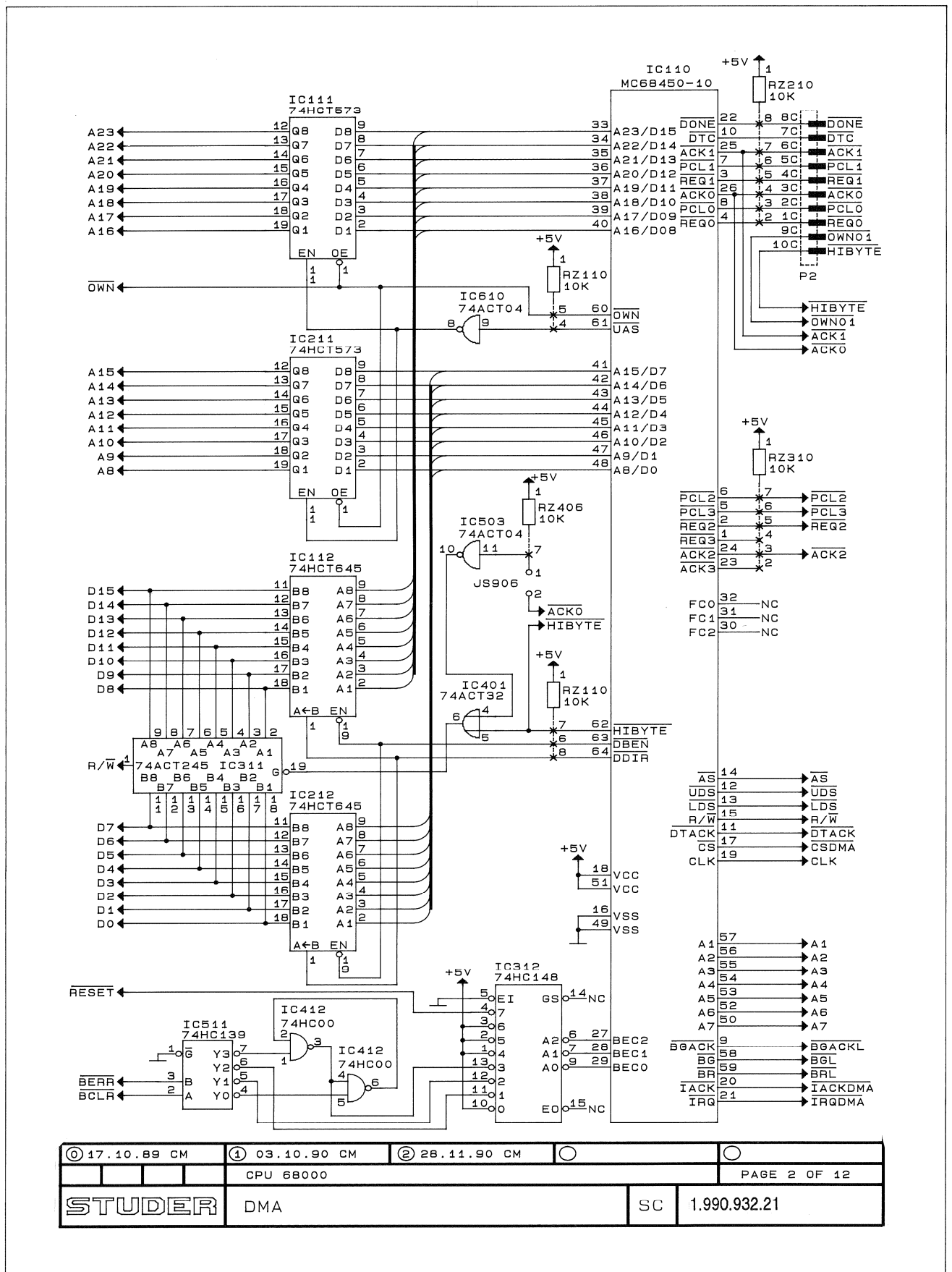
1.990.932.21



© 17.10.89 CM	① 03.10.90 CM	② 28.11.90 CM	○	○
CPU 68000			PAGE 1 OF 12	
STUDER		CPU/VME-BUS DRIVERS	SC	1.990.932.21

CPU 68000 DMA

1.990.932.21

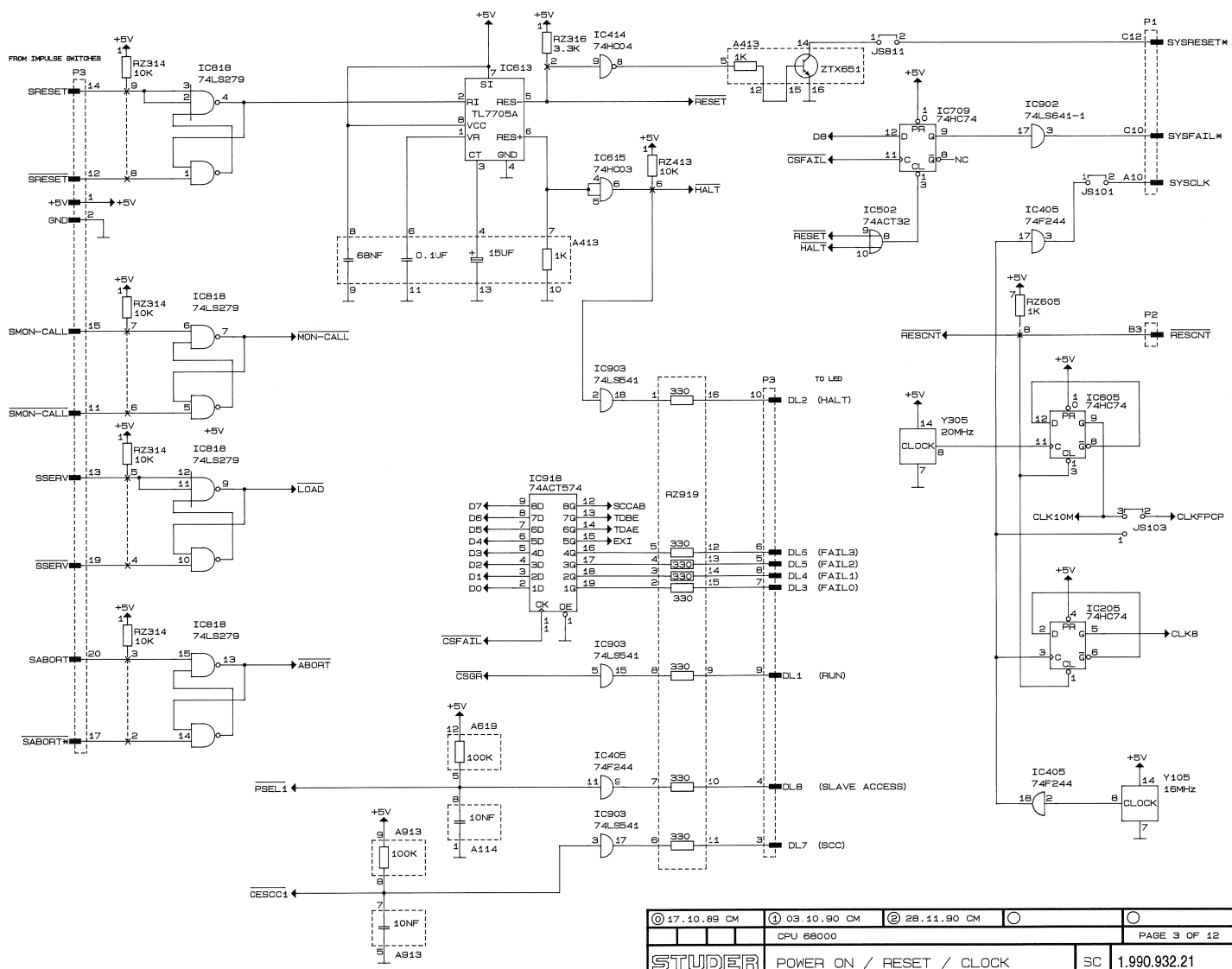


① 17.10.89 CM	④ 03.10.90 CM	② 28.11.90 CM	○	○
CPU 68000			PAGE 2 OF 12	
STUDER DMA		SC	1.990.932.21	

CPU 68000 POWER ON / RESET / CLOCK



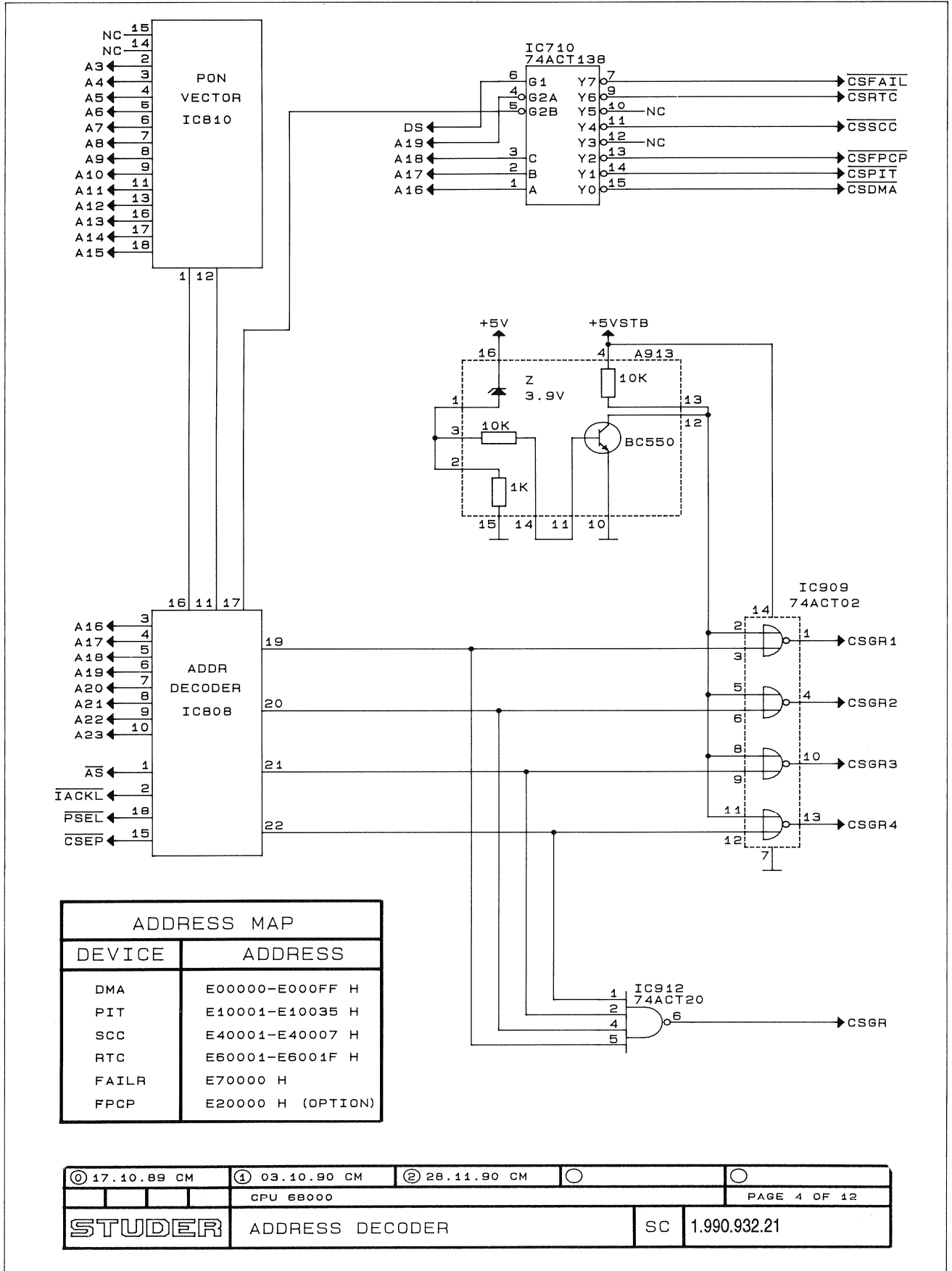
1.990.932.21



① 17.10.89 CM	④ 03.10.90 CM	② 28.11.90 CM	○	○
CPU 68000			PAGE 3 OF 12	
STUDER POWER ON / RESET / CLOCK			SC	1.990.932.21

CPU 68000 ADDRESS DECODER

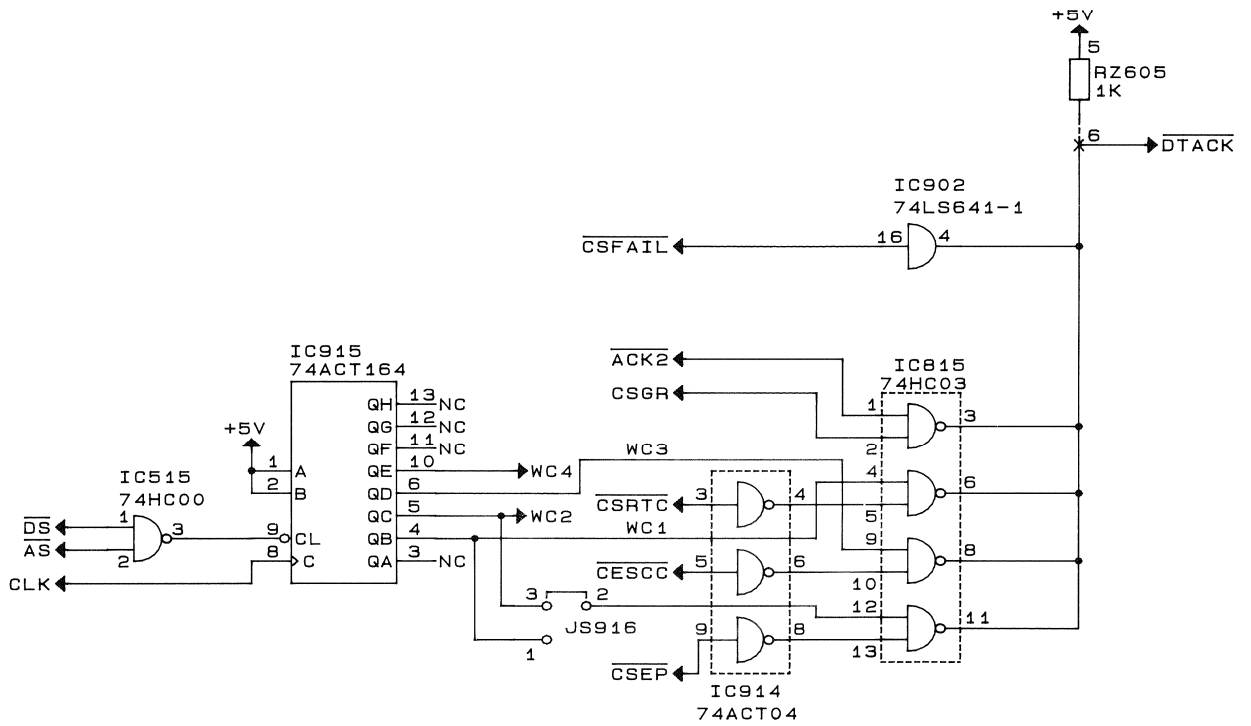
1.990.932.21



CPU 68000 DTACK GENERATOR



1.990.932.21



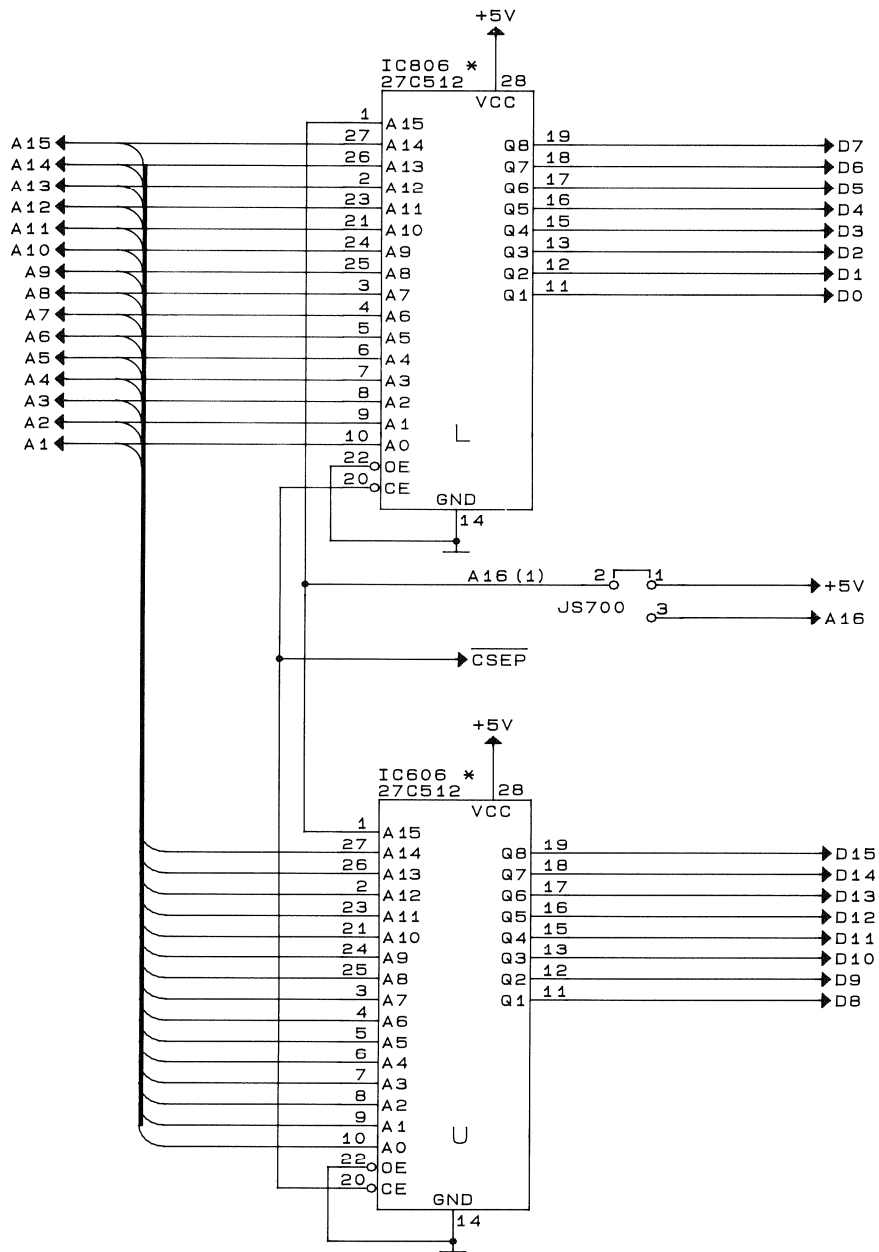
① 17.10.89 CM	④ 03.10.90 CM	② 28.11.90 CM	○	○
CPU 68000			PAGE 5 OF 12	
STUDER	DTACK GENERATOR	SC	1.990.932.21	

CPU 68000 SYSTEM EPROM



1.990.932.21

EPROM TACC < 250ns

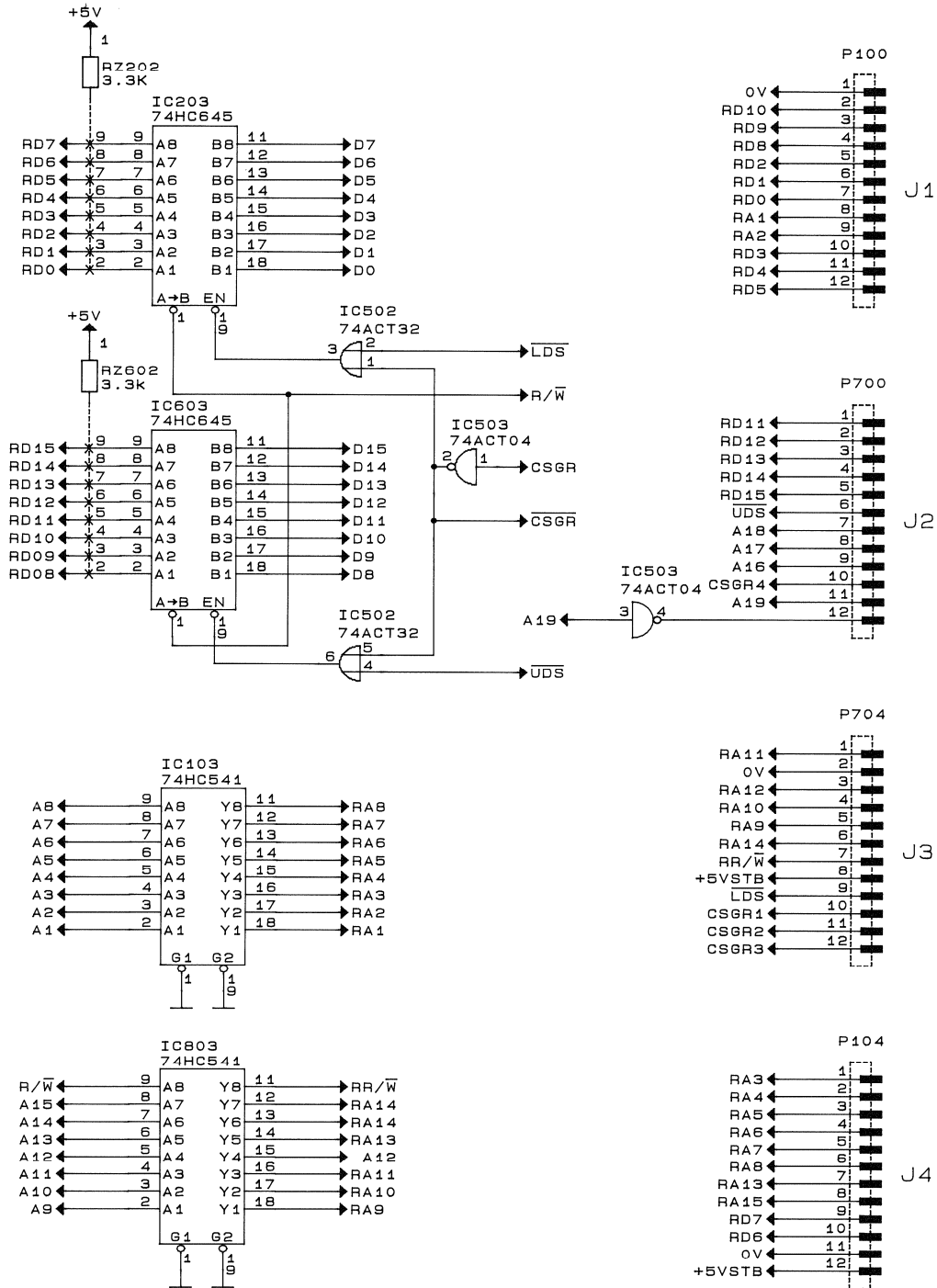


* see STUDER SW No.

① 17.10.89 CM	① 03.10.90 CM	② 28.11.90 CM	○	○
CPU 68000			PAGE 6 OF 12	
STUDER SYSTEM EPROM		SC	1.990.932.21	

CPU 68000 SRAM SOCKET

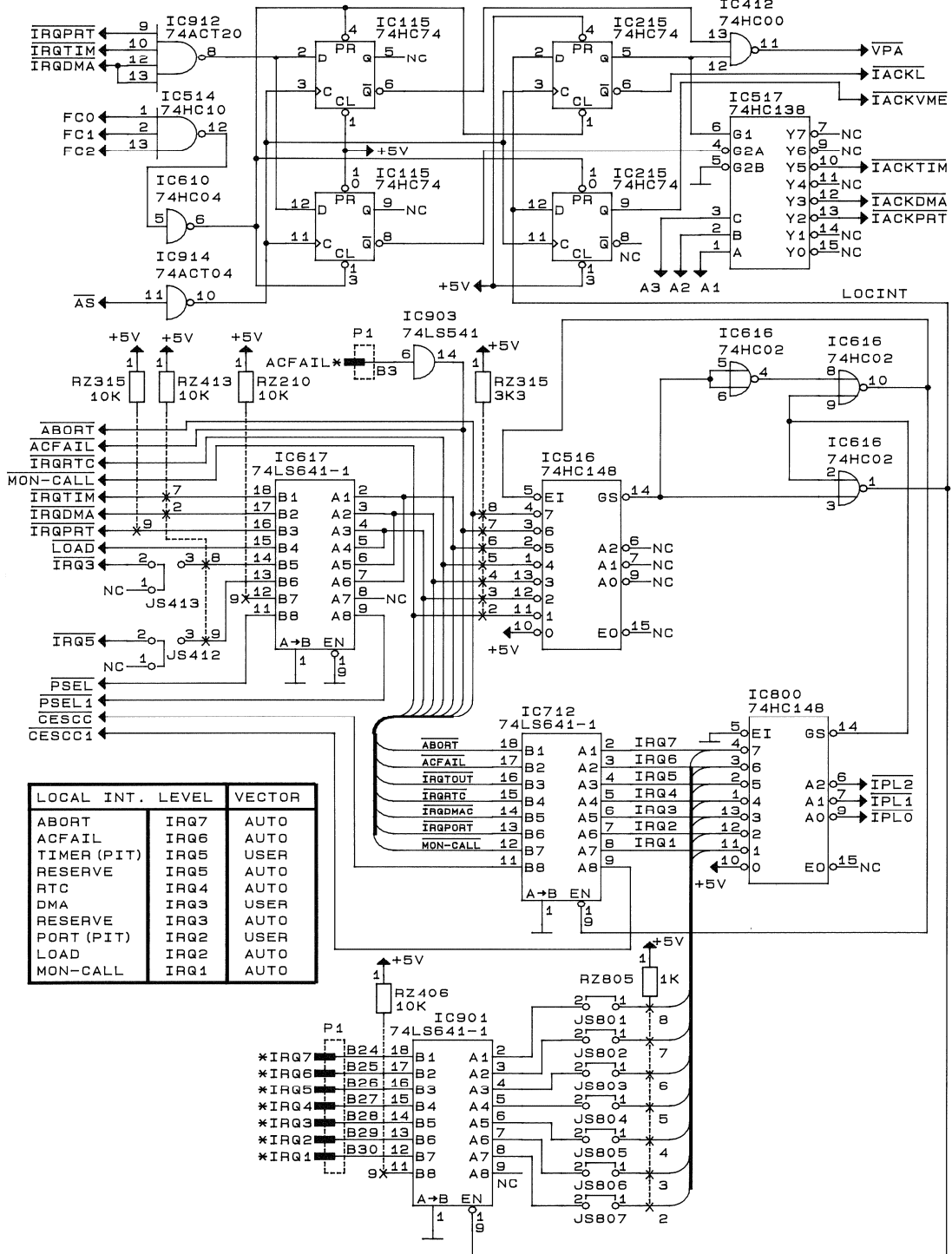
1.990.932.21



© 17.10.89 CM	④ 03.10.90 CM	② 28.11.90 CM	○	○
CPU 68000			PAGE 7 OF 12	
STUDER SRAM SOCKET		SC	1.990.932.21	

CPU 68000 INTERRUPT HANDLING

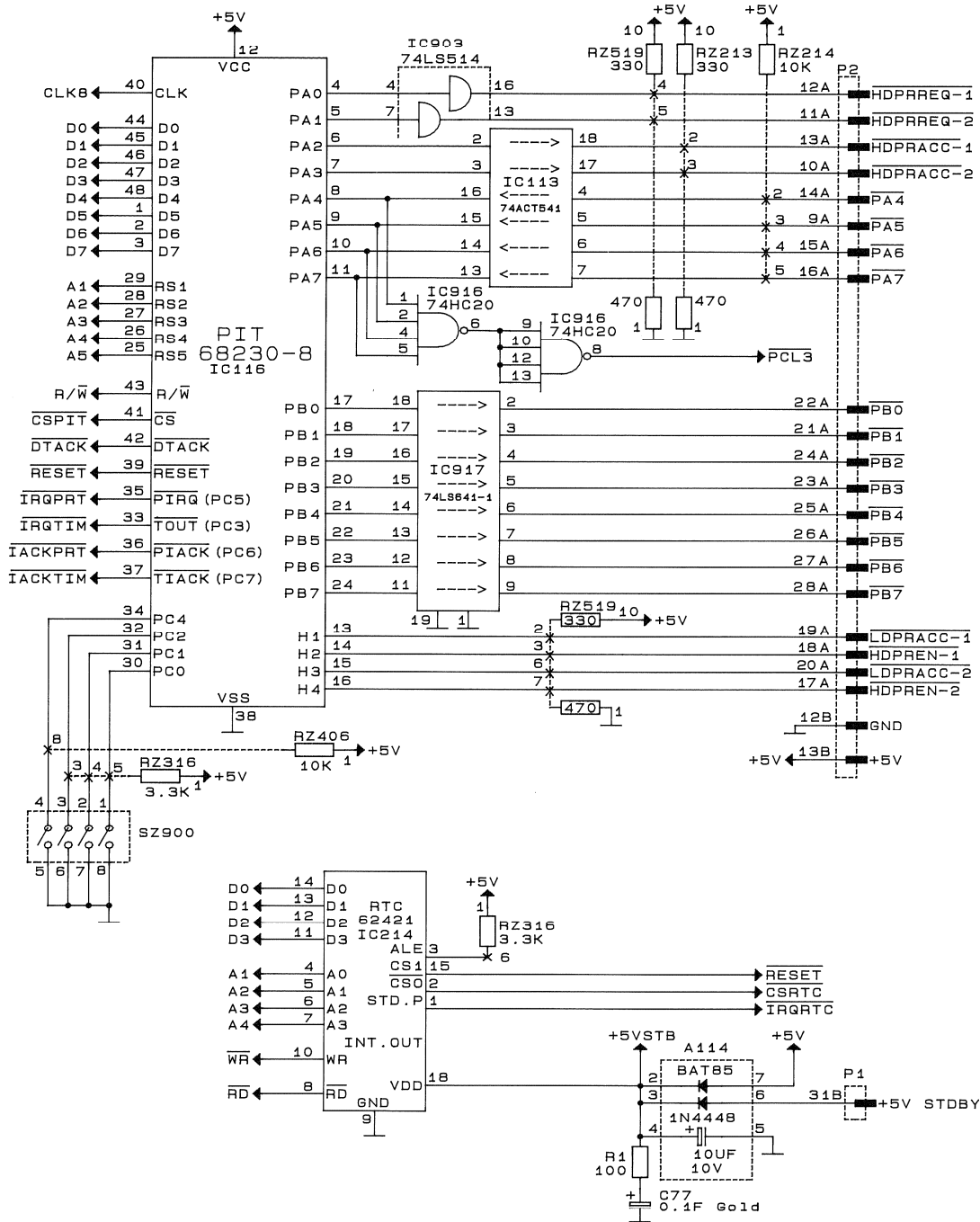
1.990.932.21



LOCAL INT. LEVEL	VECTOR	
ABORT	IRQ7	AUTO
ACFAIL	IRQ6	AUTO
TIMER (PIT)	IRQ5	USER
RESERVE	IRQ5	AUTO
RTC	IRQ4	AUTO
DMA	IRQ3	USER
RESERVE	IRQ3	AUTO
PORT (PIT)	IRQ2	USER
LOAD	IRQ2	AUTO
MON-CALL	IRQ1	AUTO

CPU 68000 PIT / RTC

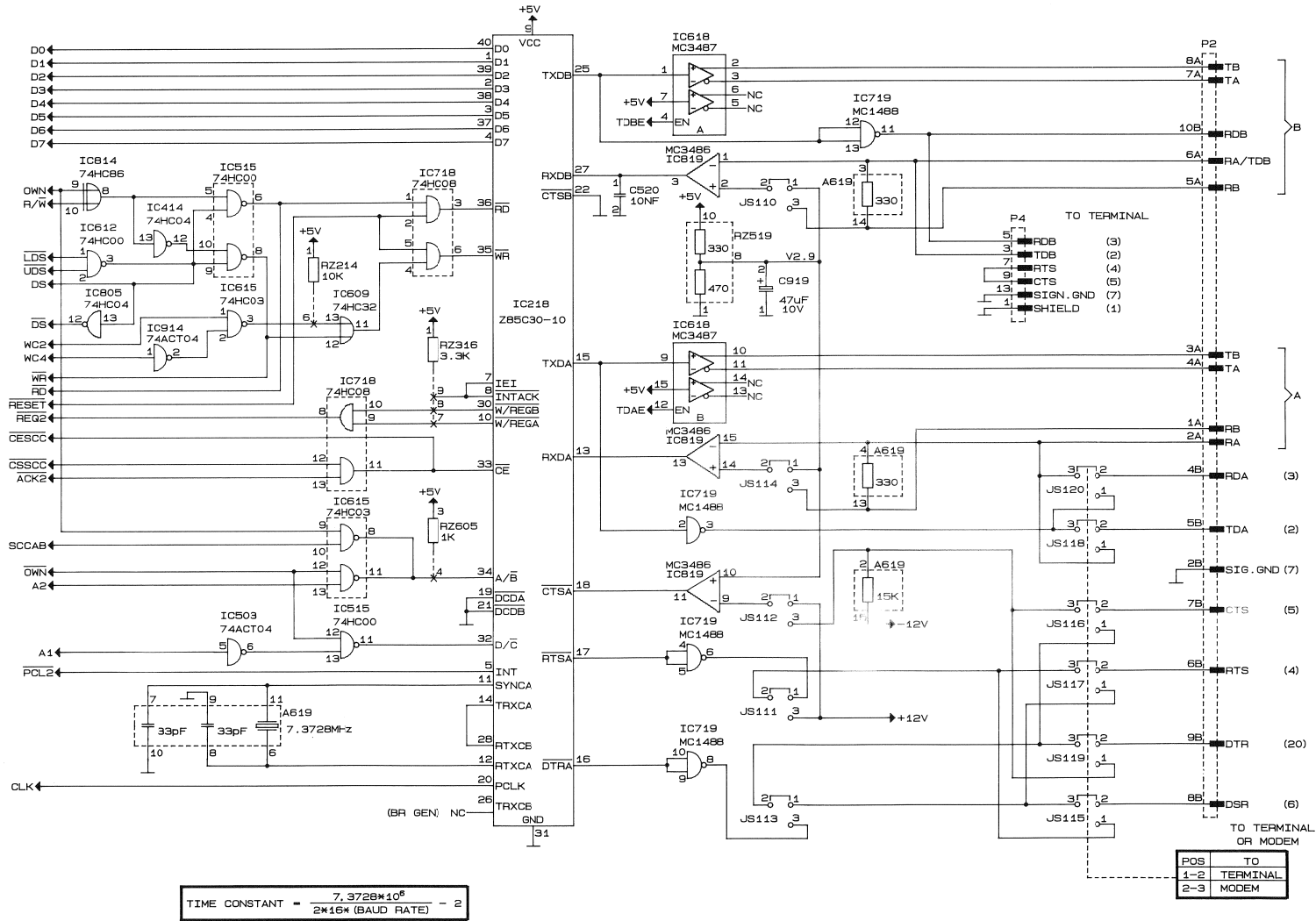
1.990.932.21



© 17.10.89 CM	① 03.10.90 CM	② 28.11.90 CM	○	○
CPU 68000		PAGE 10 OF 12		
STUDER	PIT / RTC	SC	1.990.932.21	

CPU 68000 SCC

1.990.932.21

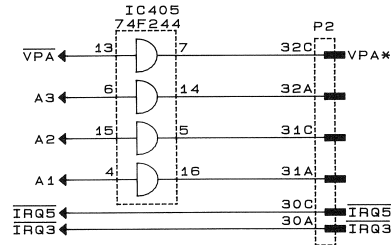


① 17.10.89 CM	④ 03.10.90 CM	② 28.11.90 CM	○	○
CPU 68000				PAGE 11 OF 12
STUDER		SCC	SC	1.990.932.21

CPU 68000 SUPPLY CONN. / FPCP SOCKET



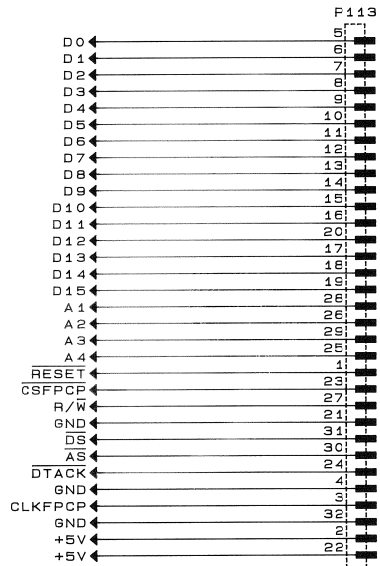
1.990.932.21



SUPPLY CONNECTIONS			
IC NO.	GND PIN	+12V PIN	-12V PIN
719	7	14	1

FIXED INPUT CONNECTIONS			
IC NO.	IC TYPE	to GND PIN	to +5V PIN
113	74ACT541	1.19	8.9
205	74HC74		10.11.12.13
401	74ACT32		9.10.12.13
405	74F244	1.19	
414	74HC04		1.3.5
503	74ACT04		9
511	74HC139		13.14.15
605	74HC74		1.2.3.4
615	74HC03		1.2
616	74HC02		11.12
713	74HC03		9.10
814	74HC85		4.5.12.13
819	MC3485		4.6.7.12
902	74LS641-1	1.19	12.13 (*)
903	74LS541	1.19	
914	74ACT04		13

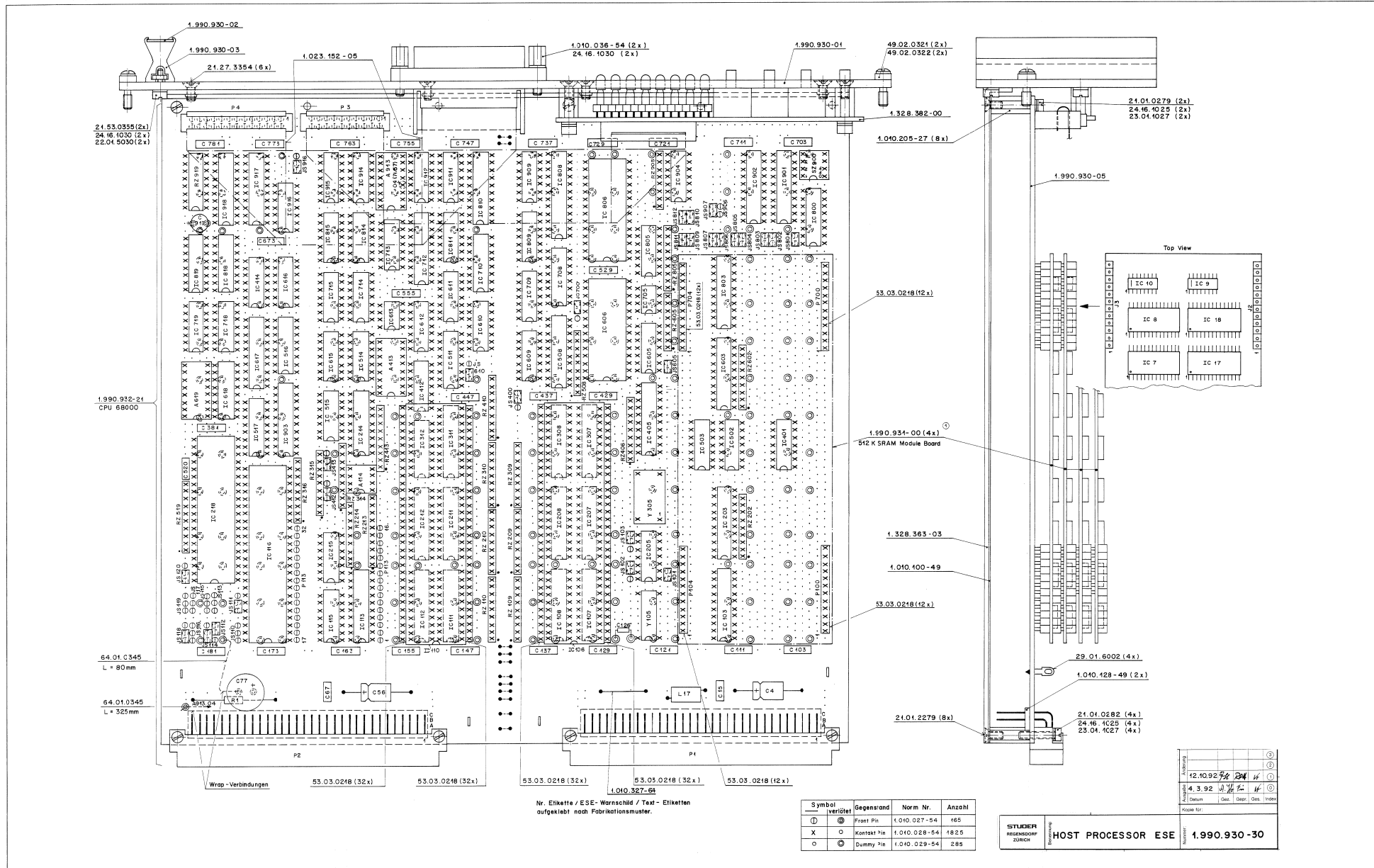
(*): connected to +5V thru R2605/02 (1K).



© 17.10.89 CM	① 03.10.90 CM	② 28.11.90 CM	○	○
CPU 68000			PAGE 12 OF 12	
STUDER	SUPPLY CONN. / FPCP SOCKET	SC	1.990.932.21	

CPU 68000 HOST PROCESSOR

1.990.930.30





CPU 68000

1.990.932.21

Ad	..POS..	..REF.No...	DESCRIPTION.....	MANUFACTURER	Ad	..POS..	..REF.No...	DESCRIPTION.....	MANUFACTURER
A...	114	1.990.896.00	Assembly 930/940 STBY1	St	IC..	615	50.17.1003	74 HC 03 Quad 2-Input NAND Gate	Mot,NS,TI
A...	413	1.990.899.00	Assembly 930 RESET	St	IC..	616	50.17.1002	74 HC 02 Quad 2-Input NOR Gate	Mot,NS,TI
A...	619	1.990.898.00	Assembly 930 SCC	St	IC..	617	50.06.1641	74LS641-1 Octal Bus Transceiver	Sig,TI
A...	913	1.990.897.00	Assembly 930/940 STBY2	St	IC..	618	50.15.0105	MC 3487 Quad Line Driver RS422	Mot,NS
C....	4	59.25.3470	47 uF 20%, 16V, EL		IC..	705	50.05.0203	SN 75463 Dual 2-Input OR Driver	NS,TI
C....	15	59.06.0683	68 nF 10%, 63V, PETP		IC..	706	50.17.1133	74 HC 133 13-Input NAND Gate	Mot,TI,NS,To
C....	56	59.25.3470	47 uF 20%, 16V, EL		IC..	707	50.17.1074	74 HC 74 Dual D-Type FF w/Preset & Clear	Mot,Ph,TI
C....	67	59.06.0683	68 nF 10%, 63V, PETP		IC..	709	50.17.7138	74ACT 138 3-to-8 Line Decoder	RCA
C....	77	59.22.1104	0.1 F 20%, 5.5V, Gold		IC..	712	50.06.1641	74LS641-1 Octal Bus Transceiver	Sig,TI
C...103		59.99.1200	68 nF 20%, 63V, PE		IC..	713	50.17.1008	74 HC 08 Quad 2-Input NAND Gate	Mot,Ph,TI,NS,RCA
C...111		59.99.1200	68 nF 20%, 63V, PE		IC..	714	50.17.1074	74 HC 74 Dual D-Type FF w/Preset & Clear	Mot,Ph,TI
C...121		59.99.1200	68 nF 20%, 63V, PE		IC..	715	50.17.1393	74 HC 393 Dual Binary Counter	Mot,Ph,TI,NS,RCA
C...126		59.34.5561	560 pF 5%, 63V, CER		IC..	718	50.17.1008	74 HC 08 Quad 2-Input NAND Gate	Mot,Ph,TI,NS,RCA
C...129		59.99.1200	68 nF 20%, 63V, PE		IC..	719	50.15.0106	MC 1488 Quad Line Driver RS 232	Mot
C...137		59.99.1200	68 nF 20%, 63V, PE		IC..	800	50.17.1148	74 HC 148 8-to-3 Line Priority Encoder	SGS,TI,To
C...147		59.99.1200	68 nF 20%, 63V, PE		IC..	803	50.17.1541	74 HC 541 Octal Bus Transceiver	Mot,Ph,TI,NS,RCA
C...155		59.99.1200	68 nF 20%, 63V, PE		IC..	805	50.17.1004	74 HC 04 Hex Inverter	Mot,Ph,TI,To,RCA
C...163		59.99.1200	68 nF 20%, 63V, PE		IC..	806		not tipped	St
C...173		59.99.1200	68 nF 20%, 63V, PE		IC..	808	1.990.995.20	GAL ADDR DECODER	St
C...181		59.99.1200	68 nF 20%, 63V, PE		IC..	809	50.17.1008	74 HC 08 Quad 2-Input NAND Gate	Mot,Ph,TI,NS,RCA
C...381		59.99.1200	68 nF 20%, 63V, PE		IC..	810	1.990.994.20	GAL PON VECTOR	St
C...429		59.99.1200	68 nF 20%, 63V, PE		IC..	811	50.17.1393	74 HC 393 Dual Binary Counter	Mot,Ph,TI,NS,RCA
C...437		59.99.1200	68 nF 20%, 63V, PE		IC..	814	50.17.1086	74 HC 86 Quad 2-Input EXOR Gate	Mot,Ph,TI,NS,RCA
C...447		59.99.1200	68 nF 20%, 63V, PE		IC..	815	50.17.1003	74 HC 03 Quad 2-Input NAND Gate	Mot,NS,TI
C...520		59.06.0103	10 nF 10%, 63V, PETP		IC..	818	50.06.0279	74 LS 279 Quad S-R Latch	Nat,TI
C...529		59.99.1200	68 nF 20%, 63V, PE		IC..	819	50.15.0104	MC 3486 Quad Line Receiver RS 422/423	Mot,NS
C...555		59.99.1200	68 nF 20%, 63V, PE		IC..	901	50.06.1641	74LS641-1 Octal Bus Transceiver	Sig,TI
C...673		59.99.1200	68 nF 20%, 63V, PE		IC..	902	50.06.1641	74LS641-1 Octal Bus Transceiver	Sig,TI
C...703		59.99.1200	68 nF 20%, 63V, PE		IC..	903	50.06.0541	74 LS 541 Octal Buffer/Line Driver	Mot,TI
C...711		59.99.1200	68 nF 20%, 63V, PE		IC..	904	50.17.1164	8 Bit S1/PO Shift Register	Mot,Ph,TI,NS,RCA
C...721		59.99.1200	68 nF 20%, 63V, PE		IC..	909	50.17.7002	74 ACT 02 Quad 2-Input NOR Gate	Fc,RCA
C...729		59.99.1200	68 nF 20%, 63V, PE		IC..	911	50.17.1393	74 HC 393 Dual Binary Counter	Mot,Ph,TI,NS,RCA
C...737		59.99.1200	68 nF 20%, 63V, PE		IC..	912	50.17.7020	74 ACT 20 Dual 4-Input NAND Gate	Fc,RCA
C...747		59.99.1200	68 nF 20%, 63V, PE		IC..	914	50.17.7004	74 ACT 04 Hex Inverter	Fc,RCA
C...755		59.99.1200	68 nF 20%, 63V, PE		IC..	915	50.17.7164	74ACT 164 8 Bit S1/PO Shift Register	Fc,RCA
C...763		59.99.1200	68 nF 20%, 63V, PE		IC..	916	50.17.1020	74 HC 20 Dual 4-Input NAND Gate	Fc,RCA
C...773		59.99.1200	68 nF 20%, 63V, PE		IC..	917	50.06.1641	74LS641-1 Octal Bus Transceiver	Sig,TI
C...781		59.99.1200	68 nF 20%, 63V, PE		IC..	918	50.17.7574	74ACT 574 Octal D-Type Flip-Flop	Fc,RCA
C...919		59.22.3470	47 uF 20%, 10V, EL		JS..	101	54.01.0021	see note 1	
IC..103		50.17.1541	74 HC 541 Octal Bus Transceiver	Fc,RCA	JS..	102	54.01.0021	see note 2	
IC..106		50.16.0127	68 HC 000 16 Bit CPU 10 Mhz	Ph,Hi,Mot	JS..	103	54.01.0021	see note 2	
IC..107		50.21.0244	74 F 244 Octal Bus Line Driver	Fc,Sig	JS..	111	54.01.0021	see note 2	
IC..107		50.17.1541	74 HC541 Octal Bus Line Driver	Fc,Sig	JS..	112	54.01.0021	see note 2	
IC..108		50.06.1645	74LS645-1 Octal Bus Transceiver	Nat,TI	JS..	113	54.01.0021	see note 8	
IC..110		50.16.0125	DMA 68450 Direct-Memory-Access Controller 10 Mhz	Hi,Mot	JS..	114	54.01.0021	see note 2	
IC..111		50.17.0573	74HCT 573 Octal D-Type Latch	Mot,Ph,TI,NS,RCA	JS..	115	54.01.0021	see note 8	
IC..112		50.17.0645	74HCT 645 Octal Bus Transceiver	Mot,Ph,TI,NS,RCA	JS..	116	54.01.0021	see note 8	
IC..113		50.17.7541	74ACT 541 Octal Bus Transceiver	Fc,RCA	JS..	117	54.01.0021	see note 8	
IC..115		50.17.1074	74 HC 74 Dual D-Type FF w/Preset & Clear	Mot,Ph,TI	JS..	118	54.01.0021	see note 2	
IC..116		50.16.0150	PIT 68230 Parallel-Interface Timer 8 Mhz	Ph,To,Mot	JS..	119	54.01.0021	see note 8	
IC..203		50.17.1645	74 HC 645 3-St. Octal Bus Transceiver Noninv.	Fc,RCA	JS..	120	54.01.0021	see note 2	
IC..205		50.17.1074	74 HC 74 Dual D-Type FF w. Preset and Clear	Fc,RCA	JS..	400	54.01.0021	see note 2	
IC..207		50.06.1645	74LS645-1 Octal Bus Transceiver	Nat,TI	JS..	412	54.01.0021	see note 2	
IC..208		50.06.1645	74LS645-1 Octal Bus Transceiver	Nat,TI	JS..	413	54.01.0021	see note 2	
IC..211		50.17.0573	74HCT 573 Octal D-Type Latch	Mot,Ph,TI,NS,RCA	JS..	605	54.01.0021	see note 1	
IC..212		50.17.0645	74HCT 645 Octal Bus Transceiver	Mot,Ph,TI,NS,RCA	JS..	610	54.01.0021	see note 2	
IC..214		50.16.0200	RTC 62421 Real Time Clock Module	Seiko Epson	JS..	700	54.01.0021	see note 2	
IC..215		50.17.1074	74 HC 74 Dual D-Type FF w/Preset & Clear	Mot,Ph,TI	JS..	801	54.01.0021	see note 1	
IC..218		50.16.0151	Z 85C30 Serial Communication Controller 10 Mhz	Zy	JS..	802	54.01.0021	see note 1	
IC..307		50.06.1645	74LS645-1 Octal Bus Transceiver	Nat,TI	JS..	803	54.01.0021	see note 1	
IC..308		50.06.1645	74LS645-1 Octal Bus Transceiver	Nat,TI	JS..	806	54.01.0021	see note 1	
IC..311		50.17.7245	74ACT 245 Octal Bus Transceiver	Fc,RCA	JS..	807	54.01.0021	see note 1	
IC..312		50.17.1148	74 HC 148 8-to-3 Line Priority Encoder	SGS,TI,To	JS..	808	54.01.0021	see note 1	
IC..401		50.17.7032	74 ACT 32 Quad 2-Input NOR Gate	Fc,RCA	JS..	810	54.01.0021	see note 1	
IC..405		50.21.0244	74 F 244 Octal Bus Line Driver	Fc,Sig	JS..	811	54.01.0021	see note 1	
IC..412		50.17.1000	74 HC 00 Quad 2-Input NAND Gate	Mot,Ph,TI,NS,RCA	JS..	906		see note 7	
IC..414		50.17.1004	74 HC 04 Hex Inverter	Mot,Ph,TI,To,RCA	JS..	907	54.01.0021	see note 1	
IC..502		50.17.7032	74 ACT 32 Quad 2-Input NOR Gate	Fc,RCA	JS..	916	54.01.0021	see note 2	
IC..503		50.17.7004	74 ACT 04 Hex Inverter	Fc,RCA	L....	17	62.01.0115	Wide-Band Choke	
IC..508		50.06.1645	74LS645-1 Octal Bus Transceiver	Nat,TI	P....	1	54.01.0354	3*32 pins Angled Wrap Male Eurocard-Connector	
IC..511		50.17.1139	74 HC 139 Dual 2-to-4 Line Decoder	Mot,Ph,TI,NS,RCA	P....	2	54.01.0354	3*32 pins Angled Wrap Male Eurocard-Connector	
IC..514		50.17.1010	74 HC 10 Triple 3-Input NAND Gate	Mot,Ph,TI,NS,RCA	P....	3		2*10 pins see note 3	
IC..515		50.17.1000	74 HC 00 Quad 2-Input NAND Gate	Mot,Ph,TI,NS,RCA	P....	4		2*13 pins see note 4	
IC..516		50.17.1148	74 HC 148 8-to-3 Line Priority Encoder	SGS,TI,To	P...100			1*12 pins see note 6	
IC..517		50.17.1138	74 HC 138 3-to-8 Line Decoder	Mot,Ph,TI,NS,RCA	P...104			1*12 pins see note 6	
IC..603		50.17.1645	74 HC 645 3-St. Octal Bus Transceiver Noninv.	Fc,RCA	P...113			2*16 pins see note 5	
IC..605		50.17.1074	74 HC 74 Dual D-Type FF w. Preset and Clear	Fc,RCA	P...700			1*12 pins see note 6	
IC..606			not tipped	St	P...704			1*12 pins see note 6	
IC..609		50.17.1032	74 HC 32 Quad 2-Input NOR Gate	Mot,Ph,TI,NS,RCA	R....	1	57.11.3101	100 Ohm Resistor, 0207, 1%, MF	
IC..610		50.17.1004	74 HC 04 Hex Inverter	Mot,Ph,TI,To,RCA	RZ..109		57.88.4332	3.3Kohm Network, 8*R, 2%, SIP9	
IC..611		50.17.1074	74 HC 74 Dual D-Type FF w/Preset & Clear	Mot,Ph,TI	RZ..110		57.88.4103	10 Kohm Network, 8*R, 2%, SIP9	
IC..612		50.17.1000	74 HC 00 Quad 2-Input NAND Gate	Mot,Ph,TI,NS,RCA					
IC..613		50.11.0122	TL 7705 Reset Generator	TI					



CPU 68000

1.990.932.21

Ad ..POS.. ..REF.No... DESCRIPTION.....MANUFACTURER

	RZ..202	57.88.4332	3,3Kohm	Network,	8*R, 2%, SIP9
	RZ..209	57.88.4332	3,3Kohm	Network,	8*R, 2%, SIP9
	RZ..210	57.88.4103	10 Kohm	Network,	8*R, 2%, SIP9
01	RZ..213	57.80.4001	330/470	Network	16*R, 2%, SIP10
	RZ..214	57.88.4103	10 Kohm	Network,	8*R, 2%, SIP9
	RZ..309	57.88.4332	3,3Kohm	Network,	8*R, 2%, SIP9
	RZ..310	57.88.4103	10 Kohm	Network,	8*R, 2%, SIP9
	RZ..314	57.88.4103	10 Kohm	Network,	8*R, 2%, SIP9
02	RZ..315	57.88.4332	3,3Kohm	Network,	8*R, 2%, SIP9
	RZ..316	57.88.4332	3,3Kohm	Network,	8*R, 2%, SIP9
	RZ..406	57.88.4103	10 Kohm	Network,	8*R, 2%, SIP9
	RZ..410	57.88.4332	3,3Kohm	Network,	8*R, 2%, SIP9
	RZ..413	57.88.4103	10 Kohm	Network,	8*R, 2%, SIP9
	RZ..508	57.88.4332	3,3Kohm	Network,	8*R, 2%, SIP9
	RZ..519	57.80.4001	330/470	Network	16*R, 2%, SIP10
	RZ..602	57.88.4332	3,3Kohm	Network,	8*R, 2%, SIP9
	RZ..605	57.88.2102	1 Kohm	Network,	4*R, 2%, SIP8
	RZ..805	57.88.4102	1 Kohm	Network,	8*R, 2%, SIP9
	RZ..905	57.88.2223	22 Kohm	Network,	4*R, 2%, SIP8
	RZ..919	57.88.3331	330 Ohm	Network,	8*R, 2%, DIL16
	SZ..900	55.01.0164	4 * A	DIL Switch	
	Y...105	89.01.1800	16 MHz	Quarz Oscillator	
	Y...305	89.01.1805	20 MHz	Quarz Oscillator	

note 1: The jumper consists of 1 pc. Bridge Connector (# 54.01.0021) plugged into 2 pcs. Front Pin (# 1.010.027.54).

note 2: The jumper consists of 1 pc. Bridge Connector (# 54.01.0021) plugged into 2-of-3 pcs. Front Pin (# 1.010.027.54).

note 3: P3 consists of 2 * 10 pcs. Front Pin (# 1.010.027.54).

note 4: P4 consists of 2 * 13 pcs. Front Pin (# 1.010.027.54).

note 5: P113 consists of 2 * 16 pcs. Front Pin (# 1.010.027.54).

note 6: The SRAM-Module socket consists of 4 * 12 pcs. Socket Strips (# 53.03.0218).

note 7: The jumper consists of 2 pcs. Front Pin (# 1.010.027.54).

note 8: The jumper consists of 3 pcs. Front Pin (# 1.010.027.54).

Each one of devices IC 106 (68HC000) and IC 110 (DMA 68450) is plugged into 2 * 32 pcs. Socket Strips (# 53.03.0218).

Index (01) : Resistor 8 * 1K, SIP9, (# 57.88.4102) is replaced by resistor 8 * 10K, SIP9, (# 57.88.4103).

Index (02) : Resistor 8 * 10K, SIP9, (# 57.88.4103) is replaced by resistor 8 * 3.3K, SIP9, (# 57.88.4332).

Index (21) : IC 107 74F244 is replaced by 74HC541 and C 126, 560 pF added.

EL=Electrolytic, PETP=Polyester, PE=Polyaethylen, MF=Metal Film

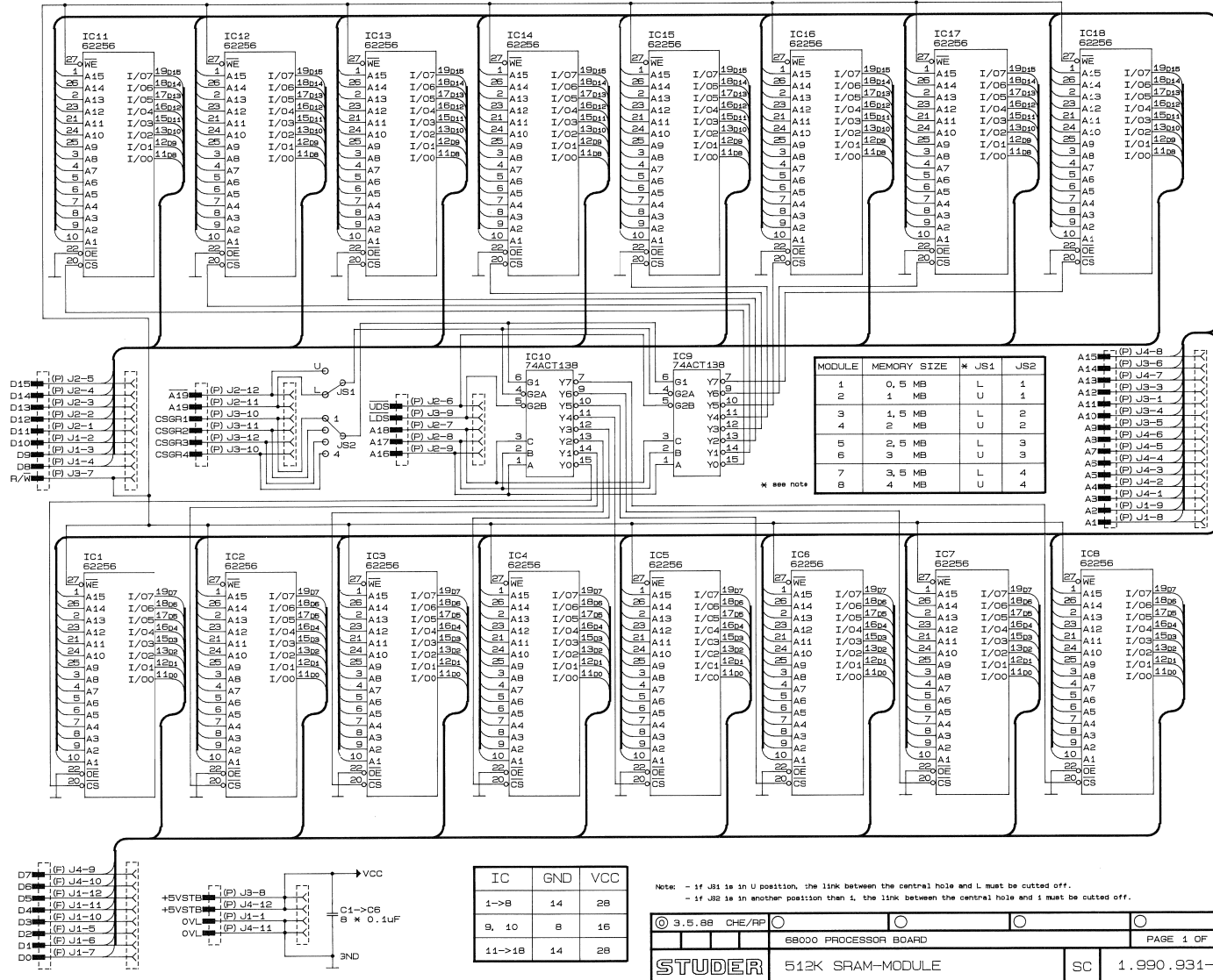
Manufacturers :

- Fc = + Fairchild (at present National Semiconductor)
- Hi = Hitachi
- Mot = Motorola
- NS = National Semiconductors
- Ph = Philips (incl. Valvo)
- RCA = Radio Corporation of America
- SGS = + SGS (at present SGS-Thomson Microelectronics)
- Sig = Signetics (Philips)
- St = Studer (-Revox; -International)
- TI = Texas Instruments
- To = Toshiba
- Zy = Zyllog

1.990.932.20	CPU 68000	CM90/11/2802
1.990.932.21	CPU 68000	CM92/04/0321

512K SRAM-MODULE

1.990.931.00



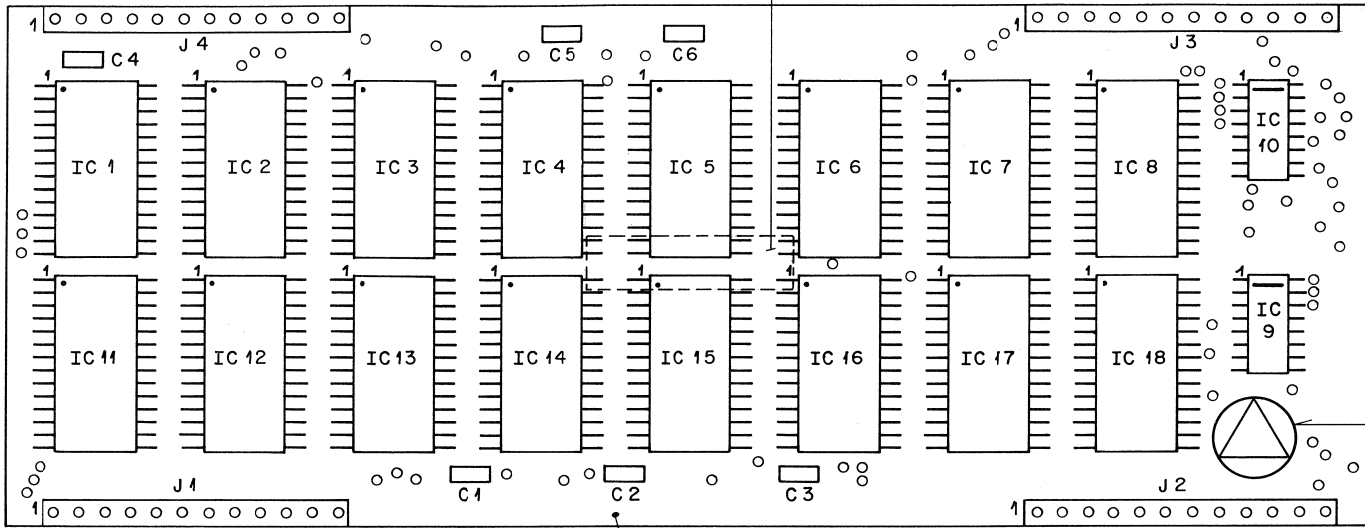
STUDER AUDIO CONSOLE 990

512K SRAM-MODULE BOARD

1.990.931.00



Nr. Schild 1.990.931-04



ESE Schild 43.01.0108

J1+J4 3mm zinnfrei

1.990.931-11

Ad . . . POS. . . . REF. No. . . . DESCRIPTION MANUFACTURER

C....1	59.60.1104	100 n	10%, X7R , CER		
C....2	59.60.1104	100 n	10%, X7R , CER		
C....3	59.60.1104	100 n	10%, X7R , CER		
C....4	59.60.1104	100 n	10%, X7R , CER		
C....5	59.60.1104	100 n	10%, X7R , CER		
C....6	59.60.1104	100 n	10%, X7R , CER		
IC...1	50.63.1503	62256	LFP-10 SRAM , 32 k * 8	Hi,To	
IC...2	50.63.1503	62256	LFP-10 SRAM , 32 k * 8	Hi,To	
IC...3	50.63.1503	62256	LFP-10 SRAM , 32 k * 8	Hi,To	
IC...4	50.63.1503	62256	LFP-10 SRAM , 32 k * 8	Hi,To	
IC...5	50.63.1503	62256	LFP-10 SRAM , 32 k * 8	Hi,To	
IC...6	50.63.1503	62256	LFP-10 SRAM , 32 k * 8	Hi,To	
IC...7	50.63.1503	62256	LFP-10 SRAM , 32 k * 8	Hi,To	
IC...8	50.63.1503	62256	LFP-10 SRAM , 32 k * 8	Hi,To	
IC...9	50.62.6138	74 ACT138	SC 3-to-8 Line Decoder.	Ti,NS	
IC...10	50.62.6138	74 ACT138	SC 3-to-8 Line Decoder.	Ti,NS	
IC...11	50.63.1503	62256	LFP-10 SRAM , 32 k * 8	Hi,To	
IC...12	50.63.1503	62256	LFP-10 SRAM , 32 k * 8	Hi,To	
IC...13	50.63.1503	62256	LFP-10 SRAM , 32 k * 8	Hi,To	
IC...14	50.63.1503	62256	LFP-10 SRAM , 32 k * 8	Hi,To	
IC...15	50.63.1503	62256	LFP-10 SRAM , 32 k * 8	Hi,To	
IC...16	50.63.1503	62256	LFP-10 SRAM , 32 k * 8	Hi,To	
IC...17	50.63.1503	62256	LFP-10 SRAM , 32 k * 8	Hi,To	
IC...18	50.63.1503	62256	LFP-10 SRAM , 32 k * 8	Hi,To	
J....1	SEE NOTE 1		
J....2	SEE NOTE 1		
J....3	SEE NOTE 1		
J....4	SEE NOTE 1		

NOTE 1 : J1 J4 : 12 PINS ASSEMBLY (SINGLE PIN PART NR. 53.03.0218)

CER=Ceramic.

MANUFACTURERS :
 Hi = Hitachi
 To = Toshiba
 Ti = Texas Instruments
 NS = National Semiconductor

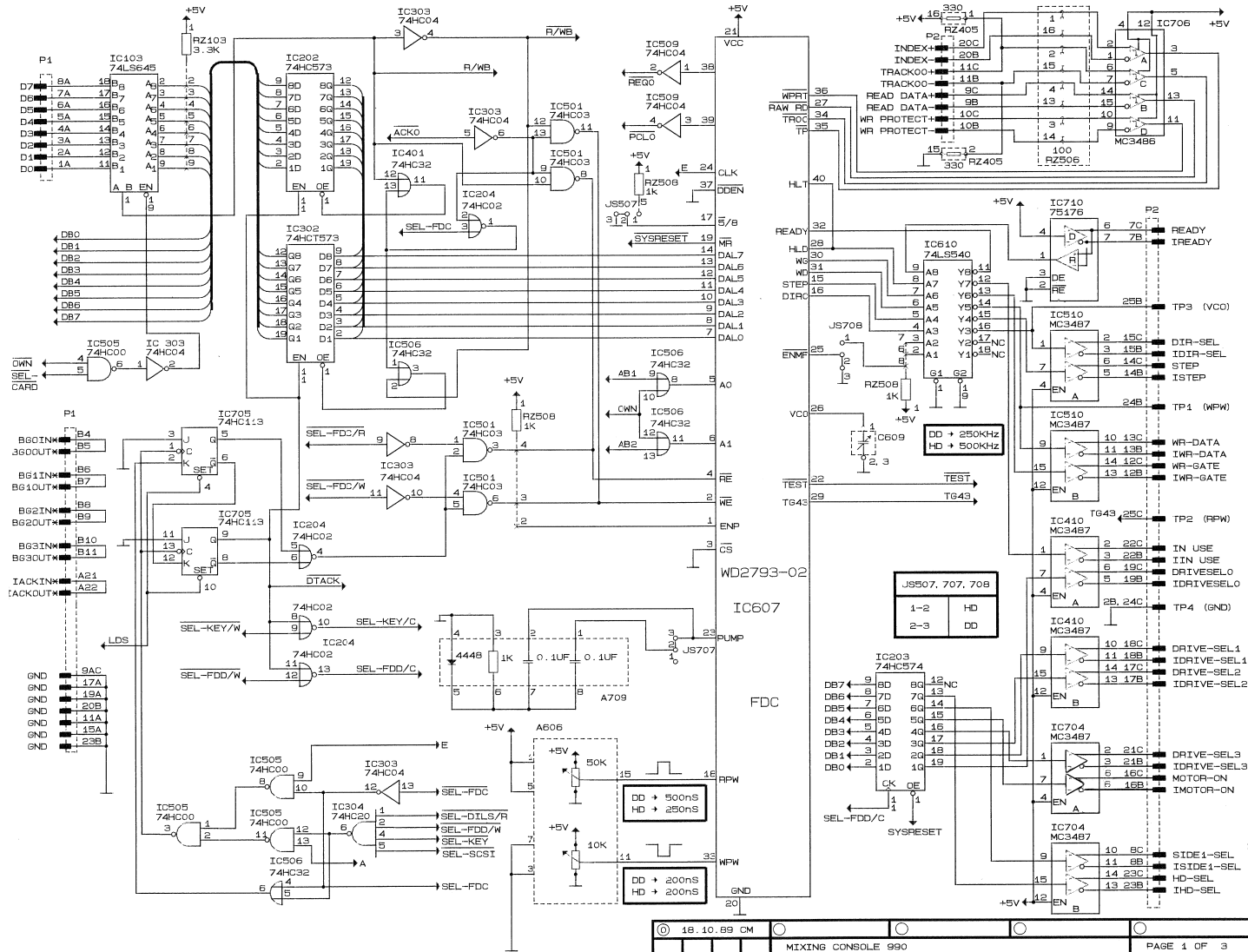
1.990.931-00 512K SRAM-MODULE RP88/05/0500

	512K SRAM-MODULE BOARD ESE	1.990.931-00
--	----------------------------	--------------

SCSI & FLOPPY CONTROLLER



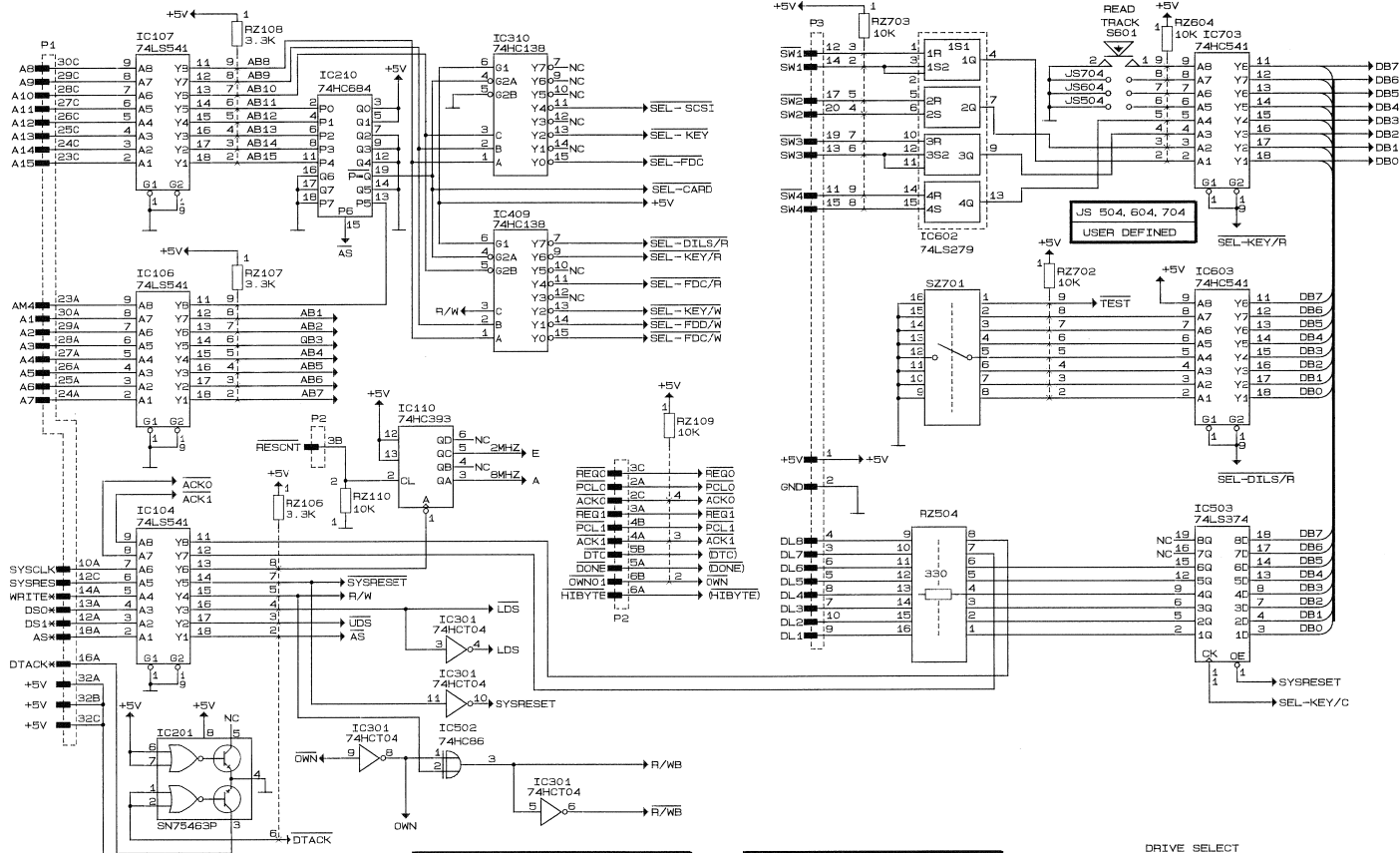
1.990.935.00



① 18.10.89 CM			
MIXING CONSOLE 990		PAGE 1 OF 3	
STUDER SCSI & FLOPPY CONTROLLER		SC	1.990.935-00

SCSI & FLOPPY CONTROLLER

1.990.935.00



There are also 27 pcs. blocking capacitors (68nF)

DEVICE	ADDRESS	R/W
FDC	FF1B01H-FF1B07H	R/W
FDD	FF1901H	W
KEYB	FF1A01H	R/W
D.L.S	FF1B01H	R
SCSI	FF1C01H-FF1C0FH	R/W

#	ON	OFF	FUNCTION
1	TEST	NORMAL	FDC
2			NOT USED
3	SIDE 1	SIDE 0	READ TR
4	40TR	80TR	DRIVE 3
5	40TR	80TR	DRIVE 2
6	40TR	80TR	DRIVE 1
7	40TR	80TR	DRIVE 0
8	AUTO	BY KEY	LOAD

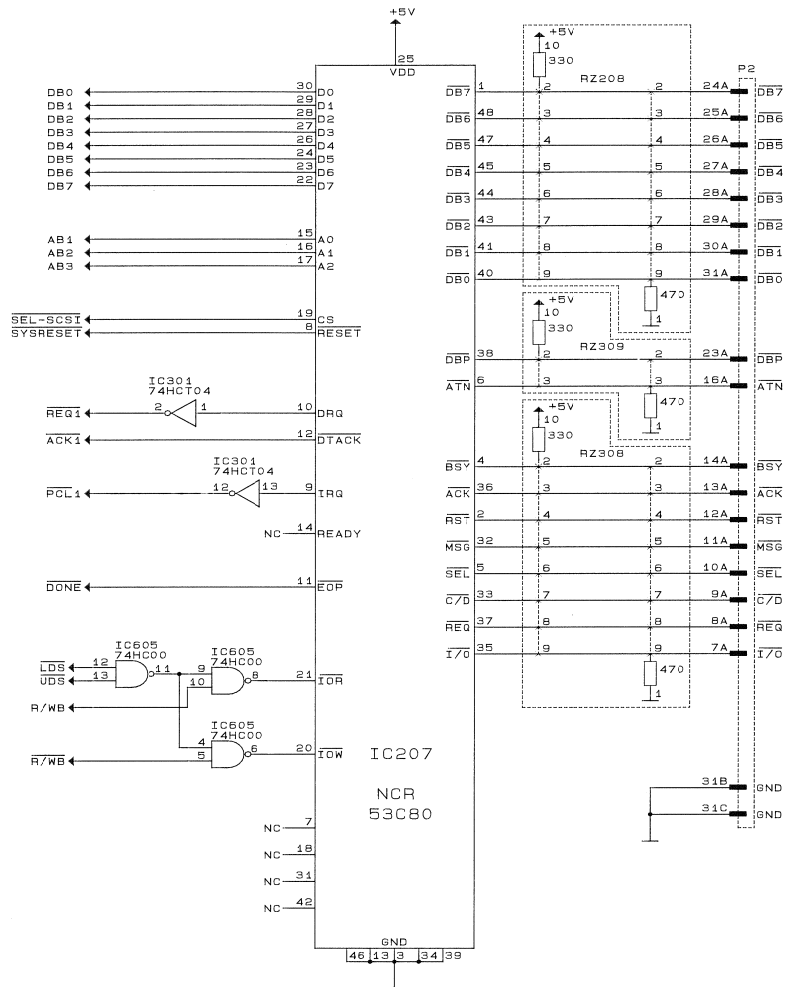
IC	TYP	↓
304	74HC20	9, 10, 12, 13
401	74HC32	1, 2, 4, 5, 9, 10
502	74HC66	4, 5, 9, 10, 12, 13
605	74HC00	1, 2

- DRIVE SELECT
- SW1
 - FORMAT
 - LOAD
 - SW2
 - STORE
 - RUN
 - SW3
 - SHIFT
 - SW4

SCSI & FLOPPY CONTROLLER



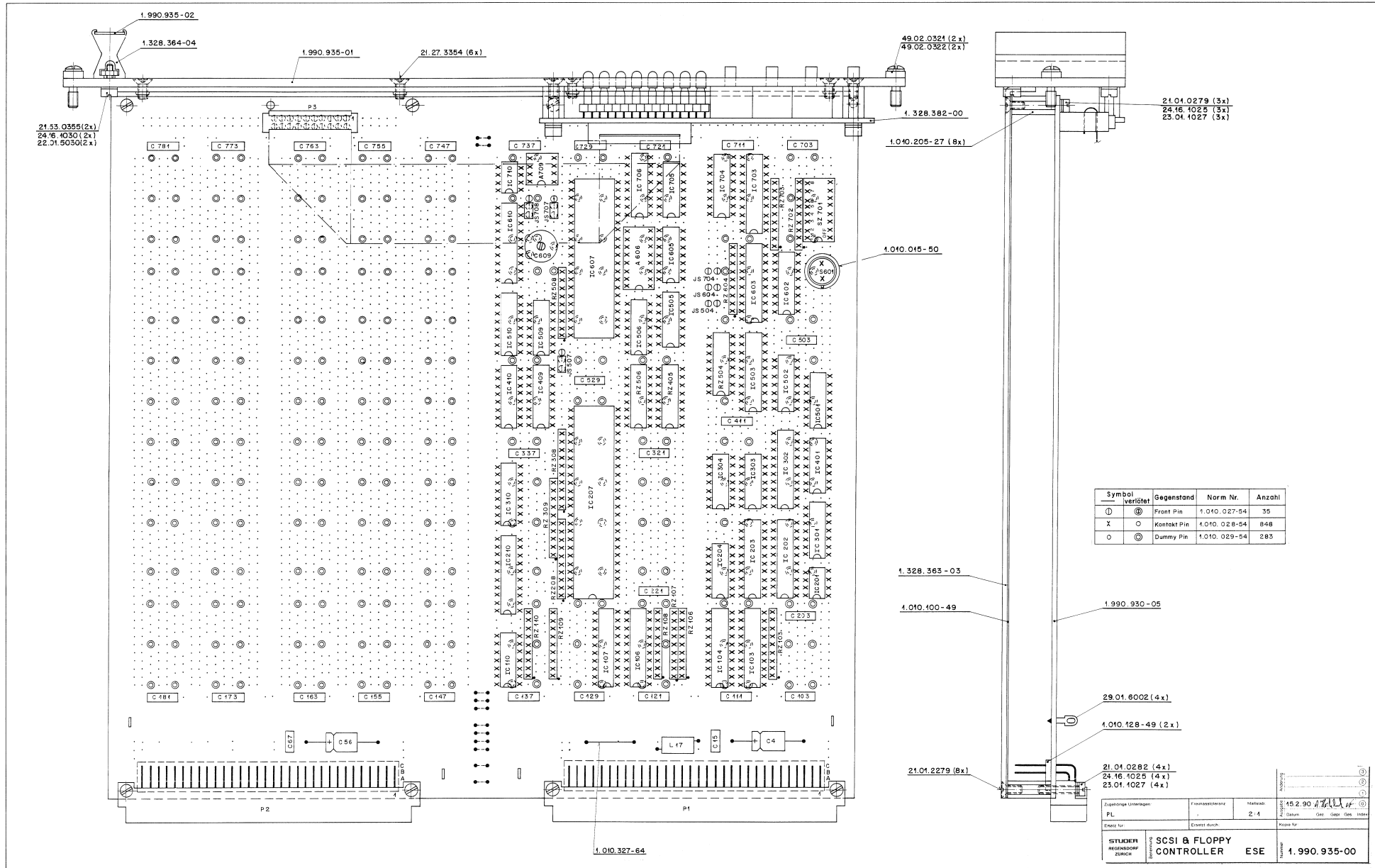
1.990.935.00



© 18.10.89 CM	MIXING CONSOLE 990	PAGE 3 OF 3
STUDER	SCSI & FLOPPY CONTROLLER	SC 1.990.935-00

SCSI & FLOPPY CONTROLLER ESE

1.990.935.00



Symbol	Verföget	Gegenstand	Norm Nr.	Anzahl
⊖	⊖	Front Pin	1.010.027-54	35
X	○	Kontakt Pin	1.010.028-54	848
○	⊖	Dummy Pin	1.010.029-54	283

Zugabe/Lötlagen	Erweitertelemente	Material	15.2.90
PL		2.1	
Erstellt durch	Datum	Gepr. durch	Gepr. Datum
Erstellt durch		Reise für	
ISTUEBERRECHENGEBOHRZEICH		SCSI & FLOPPY CONTROLLER ESE	
1.990.935.00			



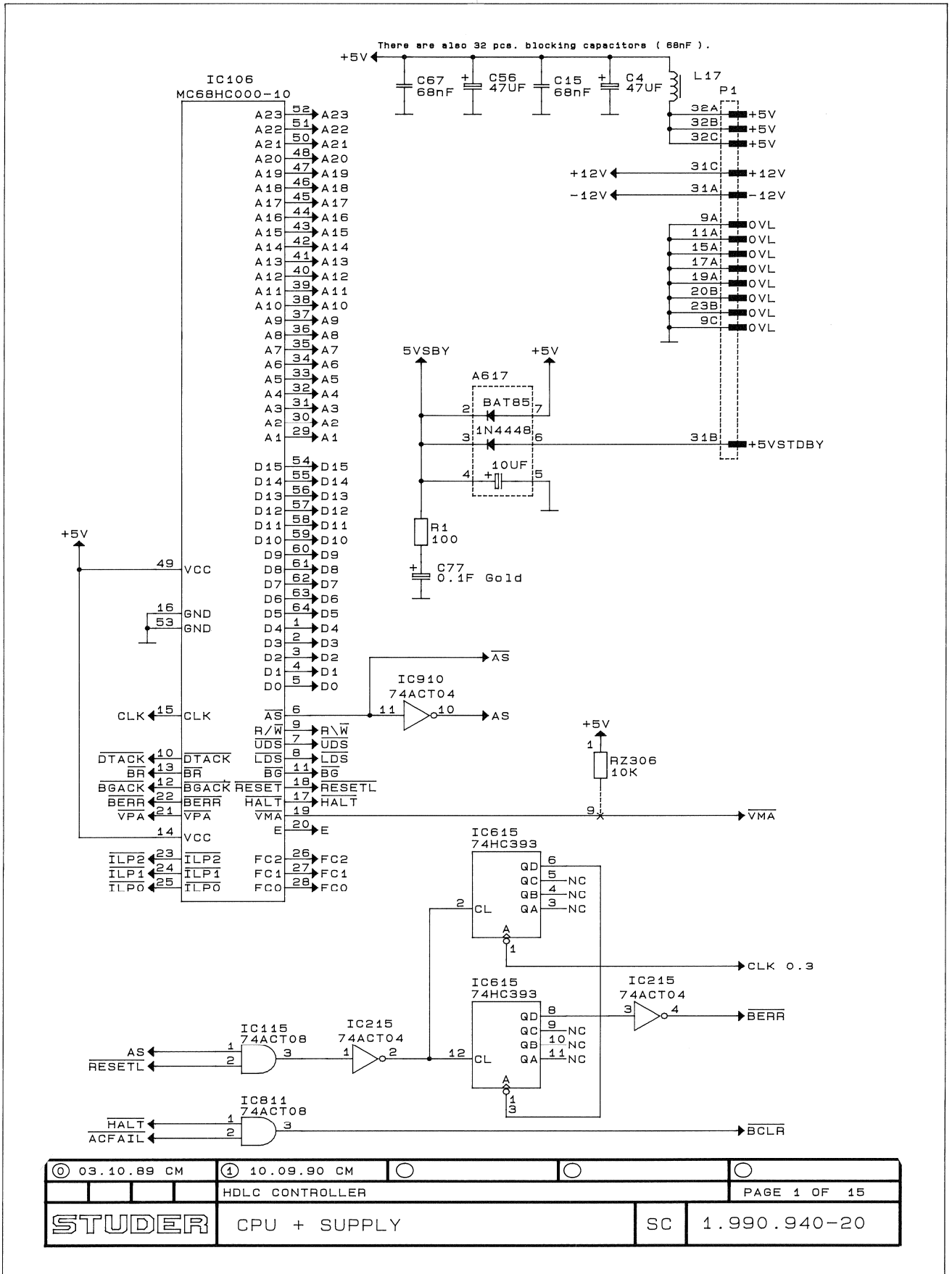
SCSI & FLOPPY CONTROLLER

1.990.935.00

Ad	..POS..	..REF.No...	DESCRIPTION.....	MANUFACTURER	Ad	..POS..	..REF.No...	DESCRIPTION.....	MANUFACTURER
A..	606	1.328.391.00	ASSEMBLY 363-RPW/WPW						
A..	709	1.990.889.00	ASSEMBLY 935 PUMP						
C....	4	59.25.3470	47 u	-20%, 16V, EL	RZ..	208	57.80.4001	330/470 Resistor Network	2% SIP10
C....	15	59.06.0683	.068 u	10%, 63V, PETP	RZ..	308	57.80.4001	330/470 Resistor Network	2% SIP10
C....	56	59.25.3470	47 u	-20%, 16V, EL	RZ..	309	57.80.4001	330/470 Resistor Network	2% SIP10
C....	67	59.06.0683	.068 u	10%, 63V, PETP	RZ..	405	57.88.3331	330 Resistor Network	2% DIL16
C...103		59.99.1200	.068 u	20%, 63V, PE	RZ..	504	57.88.4331	330 Resistor Network	2% DIL16
C...111		59.99.1200	.068 u	20%, 63V, PE	RZ..	506	57.88.3101	100 Resistor Network	2% DIL16
C...121		59.99.1200	.068 u	20%, 63V, PE	RZ..	508	57.88.4102	1 k Resistor Network	2% SIP9
C...129		59.99.1200	.068 u	20%, 63V, PE	RZ..	604	57.88.4103	10 k Resistor Network	2% SIP9
C...137		59.99.1200	.068 u	20%, 63V, PE	RZ..	702	57.88.4103	10 k Resistor Network	2% SIP9
C...147		59.99.1200	.068 u	20%, 63V, PE	RZ..	703	57.88.4103	10 k Resistor Network	2% SIP9
C...155		59.99.1200	.068 u	20%, 63V, PE	S...	601	55.03.0122	1 * A Momentary Switch	
C...163		59.99.1200	.068 u	20%, 63V, PE	SZ..	701	55.01.0168	8 * A DIL Switch	
C...173		59.99.1200	.068 u	20%, 63V, PE	note 1: The Jumper consists of 1 pc. Bridge Connector (# 54.01.0021) plugged into 2 pcs. Front Pin (# 1.010.027.54).				
C...181		59.99.1200	.068 u	20%, 63V, PE	note 2: The Jumper consists of 1 pc. Bridge Connector (# 54.01.0021) plugged into 2-of-3 pcs. Front Pin (# 1.010.027.54).				
C...203		59.99.1200	.068 u	20%, 63V, PE	note 3: P 3 consists of 2 * 10 pcs. Front Pin (# 1.010.027.54).				
C...221		59.99.1200	.068 u	20%, 63V, PE	Manufacturers: Mot=Motorola, NS=National Semiconductors, Ti=Texas Instruments, LDI=Logig Devices Inc., NCR=NCR Corporation, Sam=Samsung				
C...321		59.99.1200	.068 u	20%, 63V, PE	1.990.935-00 SCSI & FLOPPY CONTROLLER RP88/06/2300				
C...337		59.99.1200	.068 u	20%, 63V, PE	END				
C...411		59.99.1200	.068 u	20%, 63V, PE	↓				
C...503		59.99.1200	.068 u	20%, 63V, PE					
C...529		59.99.1200	.068 u	20%, 63V, PE					
C...609		59.18.0102	5.5-65 pF	Trimmer					
C...703		59.99.1200	.068 u	20%, 63V, PE					
C...711		59.99.1200	.068 u	20%, 63V, PE					
C...721		59.99.1200	.068 u	20%, 63V, PE					
C...729		59.99.1200	.068 u	20%, 63V, PE					
C...737		59.99.1200	.068 u	20%, 63V, PE					
C...747		59.99.1200	.068 u	20%, 63V, PE					
C...755		59.99.1200	.068 u	20%, 63V, PE					
C...763		59.99.1200	.068 u	20%, 63V, PE					
C...773		59.99.1200	.068 u	20%, 63V, PE					
C...781		59.99.1200	.068 u	20%, 63V, PE					
IC..103		50.06.0645	74 LS 645	Octal BUS Transceiver NonInv.	MOT, TI				
IC..104		50.06.0541	74 LS 541	Octal Buffer/Line Driver	MOT, TI				
IC..106		50.06.0541	74 LS 541	Octal Buffer/Line Driver	MOT, TI				
IC..107		50.06.0541	74 LS 541	Octal Buffer/Line Driver	MOT, TI				
IC..110		50.17.1393	74 HC 393	Dual 4-stage Binary Ripple Counter	MOT, TI				
IC..201		50.05.0203	75463	Dual Driver oc. OR	MOT, TI				
IC..202		50.17.1573	74 HC 573	Octal D-Type Latch	MOT, TI				
IC..203		50.17.1574	74 HC 574	Octal D-Type FLIP-FLOP	MOT, TI				
IC..204		50.17.1002	74 HC 02	Quad 2-Input NOR Gate	MOT, TI				
IC..207		50.16.0700	MCR 53C80	SCSI BUS Controller	LDI, NCR, Sam				
IC..210		50.17.1684	74 HC 684	8 Bit Magnitude Comparator	MOT, TI				
IC..301		50.17.0004	74 HCT 04	Hex Inverter	MOT, TI				
IC..302		50.17.0573	74 HCT573	Octal D-Type FLIP-FLOP	MOT, TI				
IC..303		50.17.1004	74 HC 04	Hex Inverter	MOT, TI				
IC..304		50.17.1020	74 HC 20	Dual 4-Input NAND Gate	MOT, TI				
IC..310		50.17.1138	74 HC 138	3-to-8 Line Decoder	MOT, TI				
IC..401		50.17.1032	74 HC 32	Quad 2-Input OR Gate	MOT, TI				
IC..409		50.17.1138	74 HC 138	3-to-8 Line Decoder	MOT, TI				
IC..410		50.15.0105	MC 3487	Quad Line Driver RS422	MOT, TI				
IC..501		50.17.1003	74 HC 03	Quad 2-Input NAND Gate	MOT, TI				
IC..502		50.17.1086	74 HC 86	Quad 2-Input EXOR Gate	MOT, TI				
IC..503		50.06.0374	74 LS 374	Octal D-Type FLIP-FLOP	MOT, TI				
IC..505		50.17.1000	74 HC 00	Quad 2-Input NAND Gate	MOT, TI				
IC..506		50.17.1032	74 HC 32	Quad 2-Input OR Gate	MOT, TI				
IC..509		50.17.1004	74 HC 04	Hex Inverter	MOT, TI				
IC..510		50.15.0105	MC 3487	Quad Line Driver RS422	MOT, TI				
IC..602		50.06.0279	74 LS 279	Quad S-R Latches	MOT, TI				
IC..603		50.17.1541	74 HC 541	Octal Buffer/Line Driver	MOT, TI				
IC..605		50.17.1000	74 HC 00	Quad 2-Input NAND Gate	MOT, TI				
IC..607		50.16.0126	WD 2793	Floppy Disk Formatter/Controller	WD				
IC..610		50.06.0540	74 LS 540	Octal Buffer/Line Driver	MOT, TI				
IC..703		50.17.1541	74 HC 541	Octal Buffer/Line Driver	MOT, TI				
IC..704		50.15.0105	MC 3487	Quad Line Driver RS422	MOT, TI				
IC..705		50.17.1113	74 HC 113	Dual J-K FLIP-FLOP with Preset	MOT, TI				
IC..706		50.15.0104	MC 3486	Quad Line Receiver RS 422/423	MOT, TI				
IC..710		50.15.0115	75176	Differential BUS Transceiver	MOT, TI				
JS..504		.	.	see note 1					
JS..507		.	.	see note 2					
JS..604		.	.	see note 1					
JS..704		.	.	see note 1					
JS..707		.	.	see note 2					
JS..708		.	.	see note 2					
L....17		62.01.0115		Wide-Band Choke					
P....1		54.01.0354	3*32 pins	Angled Wrap Male Eurocard Connector					
P....2		54.01.0354	3*32 pins	Angled Wrap Male Eurocard Connector					
P....3		.	2*10 pins	see note 3					
RZ..103		57.88.4332	3.3 k	Resistor Network	2% SIP9				
RZ..106		57.88.4332	3.3 k	Resistor Network	2% SIP9				
RZ..107		57.88.4332	3.3 k	Resistor Network	2% SIP9				
RZ..108		57.88.4332	3.3 k	Resistor Network	2% SIP9				
RZ..109		57.88.4103	10 k	Resistor Network	2% SIP9				
RZ..110		57.88.4103	10 k	Resistor Network	2% SIP9				

HDLC CONTROLLER CPU + SUPPLY

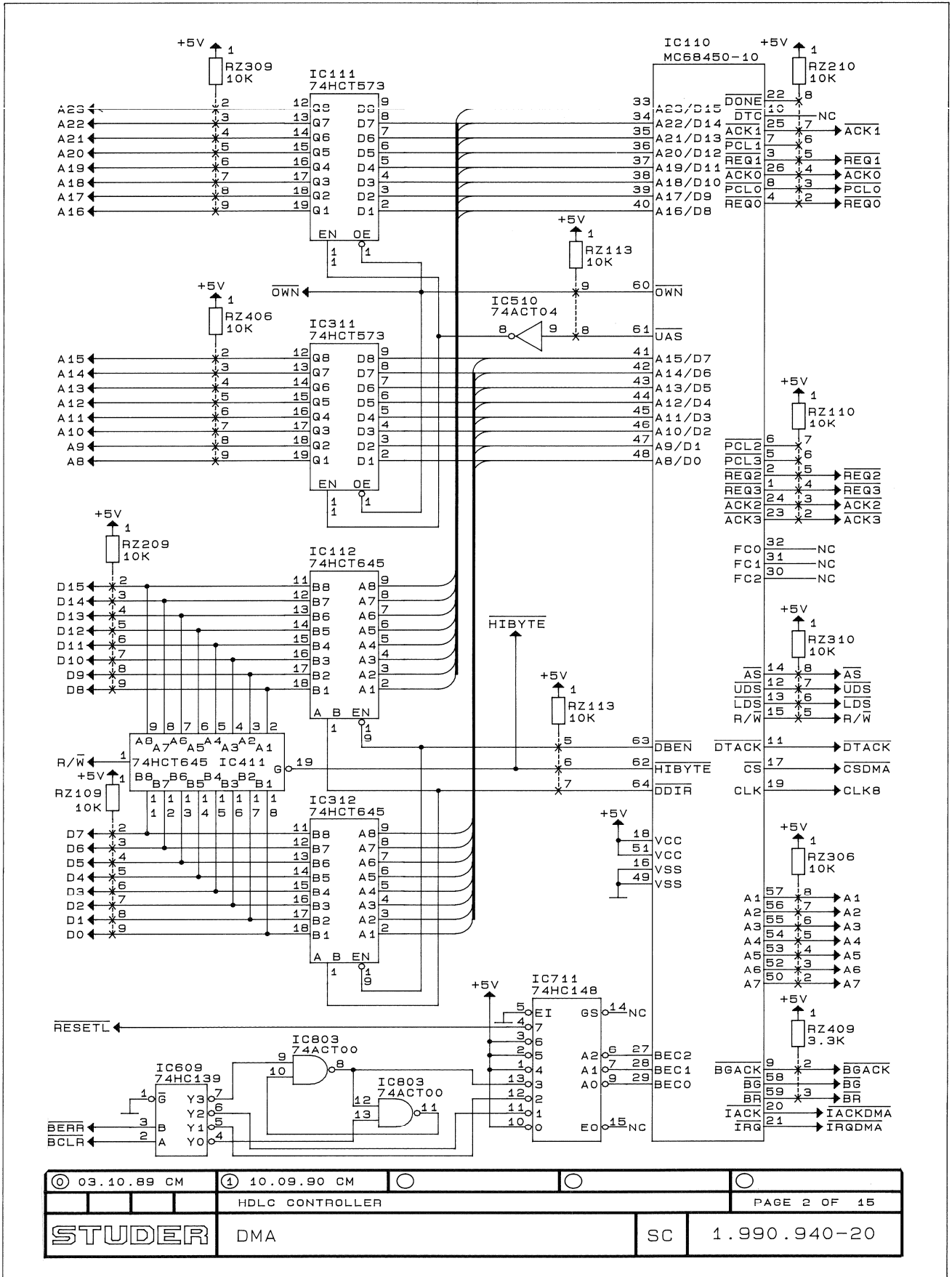
1.990.940.20



© 03.10.89 CM	① 10.09.90 CM			
HDLC CONTROLLER			PAGE 1 OF 15	
STUDER	CPU + SUPPLY		SC	1.990.940-20

HDLC CONTROLLER DMA

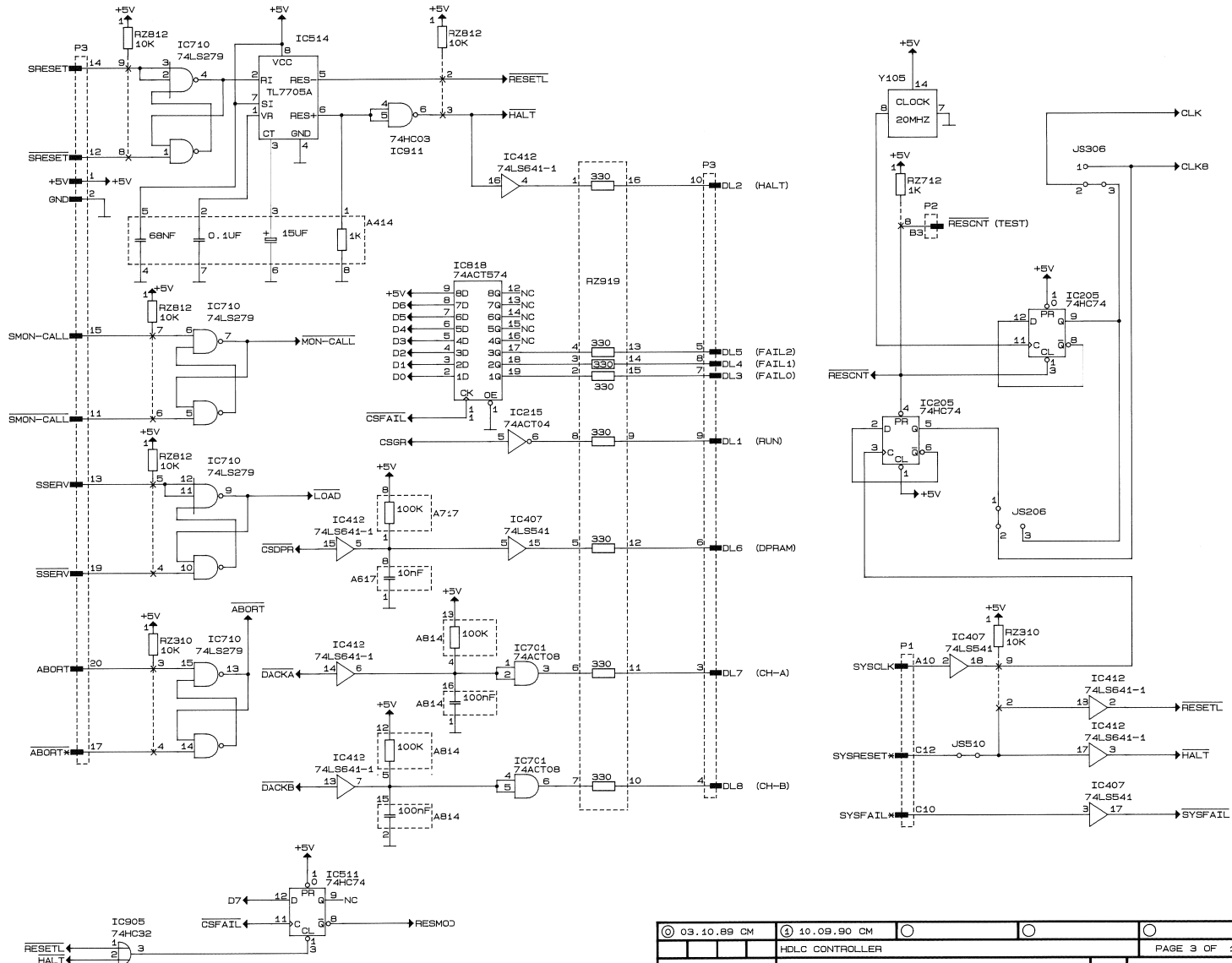
1.990.940.20



03.10.89 CM	10.09.90 CM			
HDLC CONTROLLER			PAGE 2 OF 15	
STUDER DMA		SC	1.990.940-20	

HDLC CONTROLLER POWER ON / RESET / CLOCK

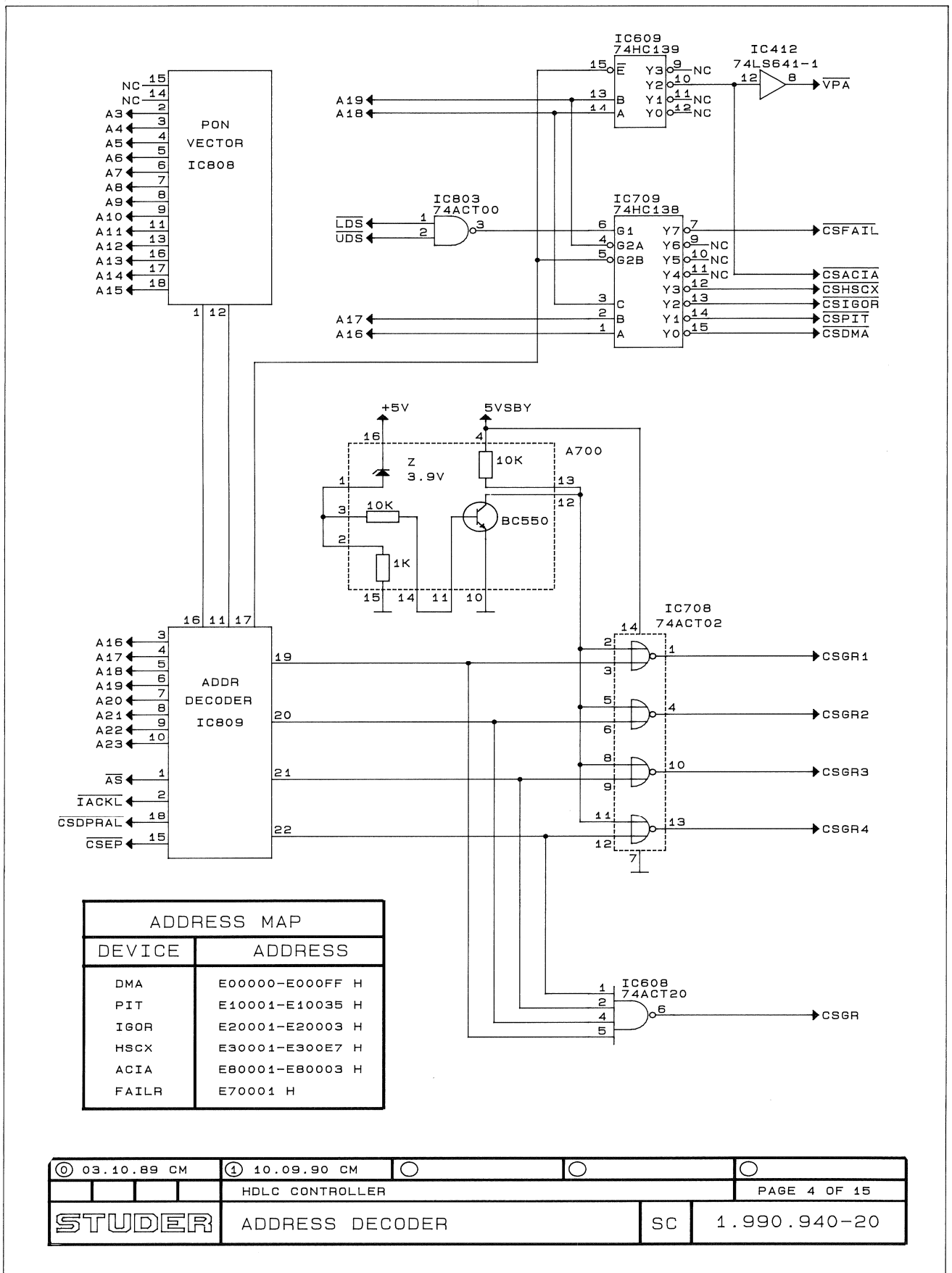
1.990.940.20



03.10.89 CM	10.09.90 CM		
HDLC CONTROLLER		PAGE 3 OF 15	
STUDER	POWER ON / RESET / CLOCK	SC	1.990.940-20

HDLC CONTROLLER ADDRESS DECODER

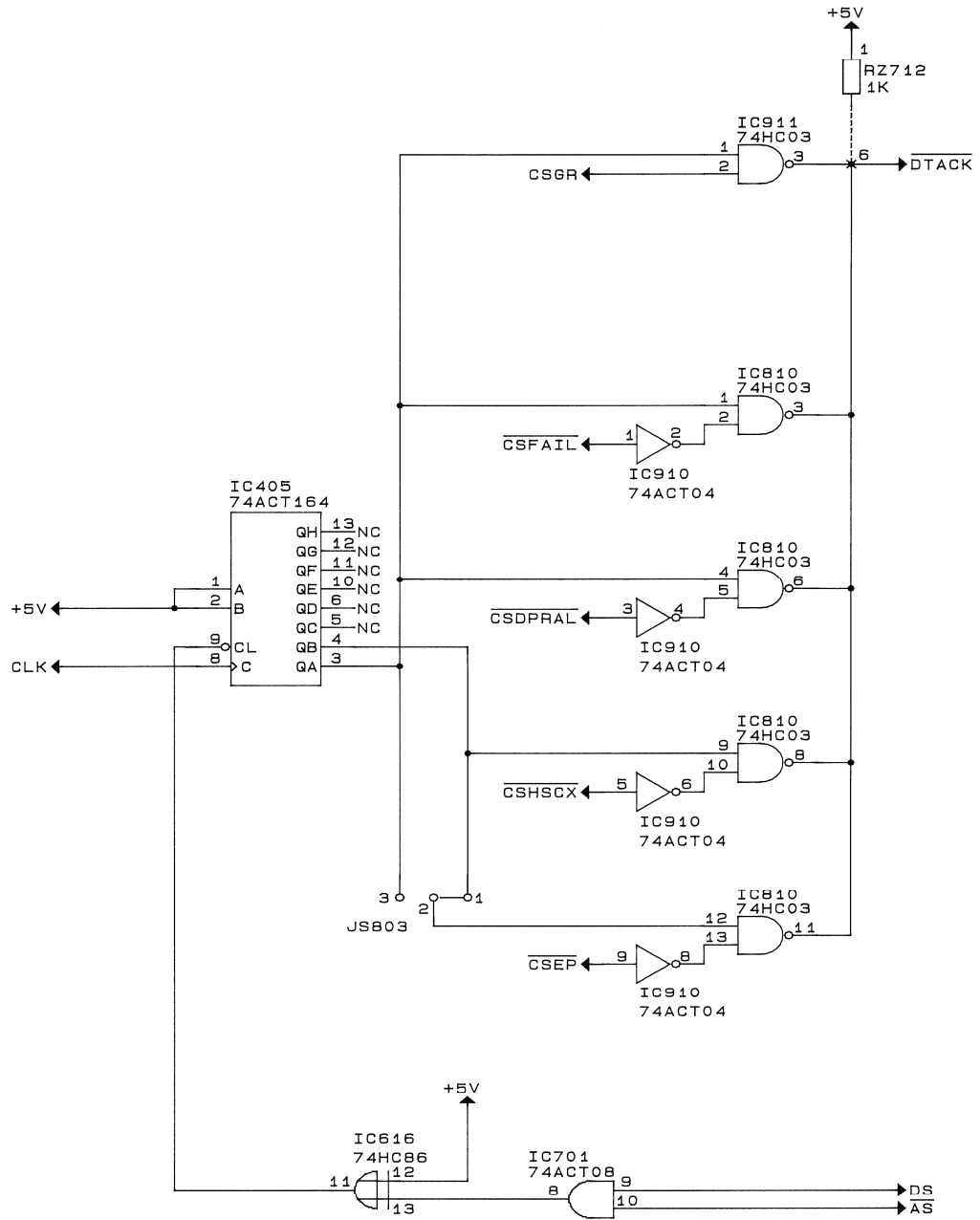
1.990.940.20



HDLC CONTROLLER DTACK GENERATOR



1.990.940.20

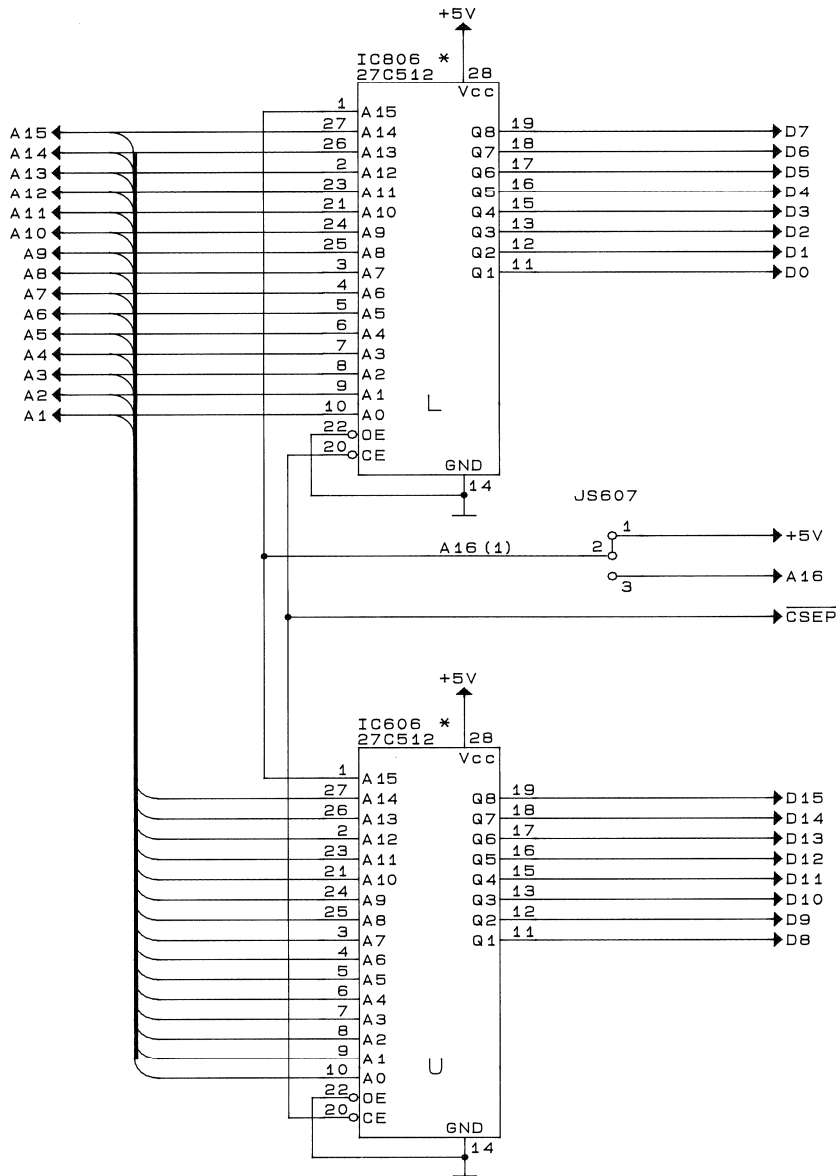


① 03.10.89 CM	③ 10.09.90 CM	○	○	○
HDLC CONTROLLER				PAGE 5 OF 15
STUDER		DTACK GENERATOR		SC 1.990.940-20

HDLC CONTROLLER SYSTEM EPROM



1.990.940.20



EPROM TACC ≤ 250NS

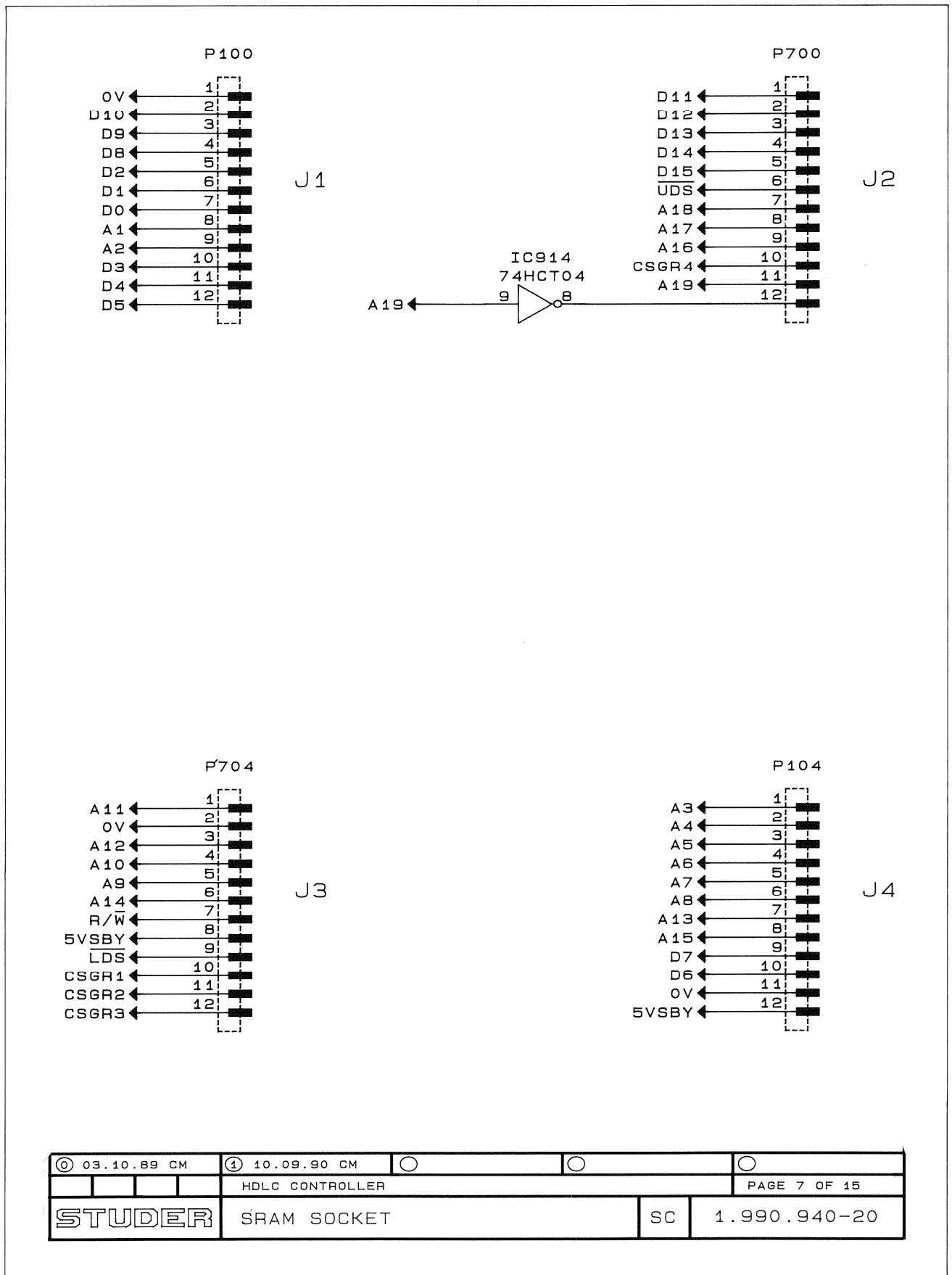
* see STUDER SW No.

© 03.10.89 CM	④ 10.09.90 CM	○	○	○
STUDER			SYSTEM EPROM	SC
HDLC CONTROLLER			PAGE 6 OF 15	
			1.990.940-20	

HDLC CONTROLLER SRAM SOCKET



1.990.940.20

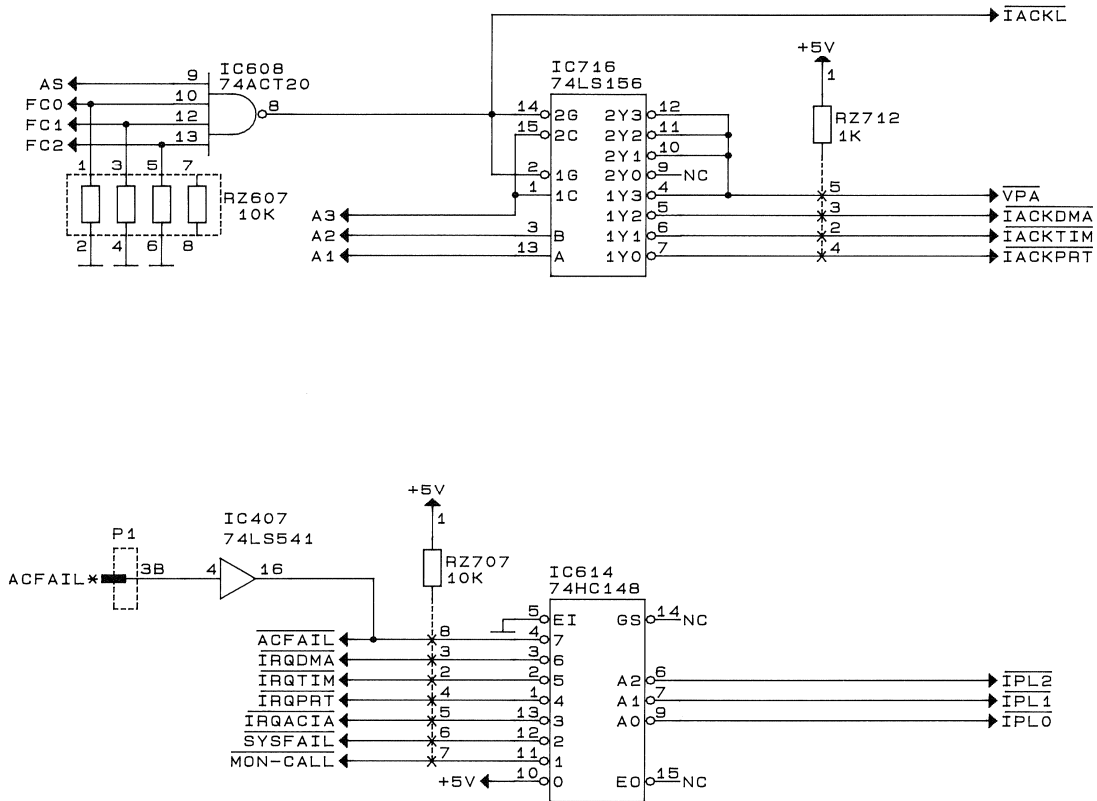


© 03.10.89 CM	④ 10.09.90 CM	○	○	○
HDLC CONTROLLER			PAGE 7 OF 15	
STUDER	SRAM SOCKET	SC	1.990.940-20	

HDLC CONTROLLER INTERRUPT HANDLING



1.990.940.20



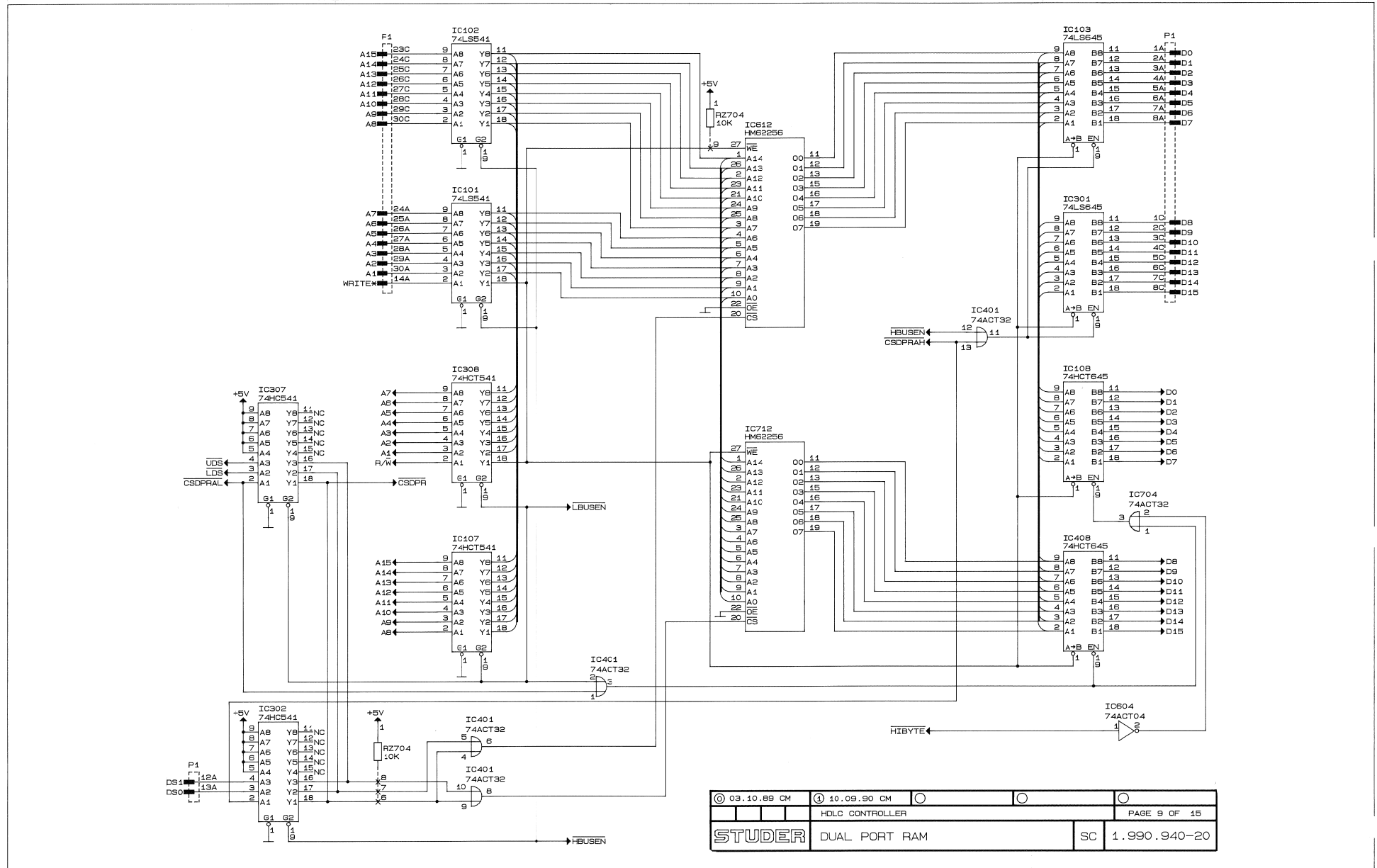
LOCAL INTERRUPTS LEVEL		VECTOR TYPE
ACFAIL	IRQ7	AUTO
DMA	IRQ6	USER
TIMER	IRQ5	USER
PORT	IRQ4	USER
ACIA	IRQ3	AUTO
SYSFAIL	IRQ2	AUTO
MON-CALL	IRQ1	AUTO

© 03.10.89 CM	① 10.09.90 CM	○	○	○
HDLC CONTROLLER			PAGE 8 OF 15	
STUDER	INTERRUPT HANDLING	SC	1.990.940-20	

HDLC CONTROLLER DUAL PORT RAM



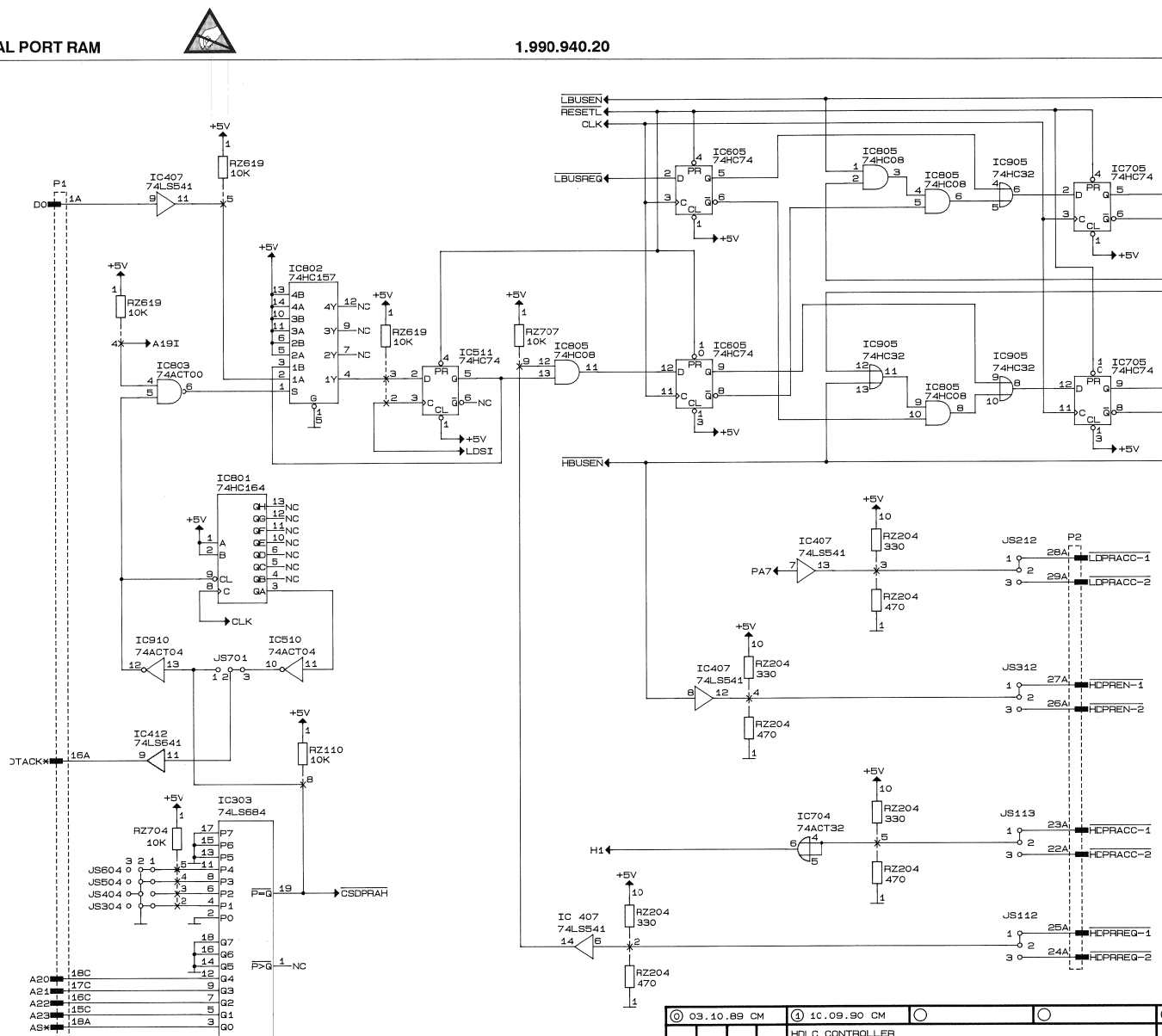
1.990.940.20



① 03.10.89 CM	② 10.09.90 CM	○	○	○
STUDER			HDLC CONTROLLER	
DUAL PORT RAM			SC	PAGE 9 OF 15
			1.990.940-20	

HDLC CONTROLLER DUAL PORT RAM

1.990.940.20

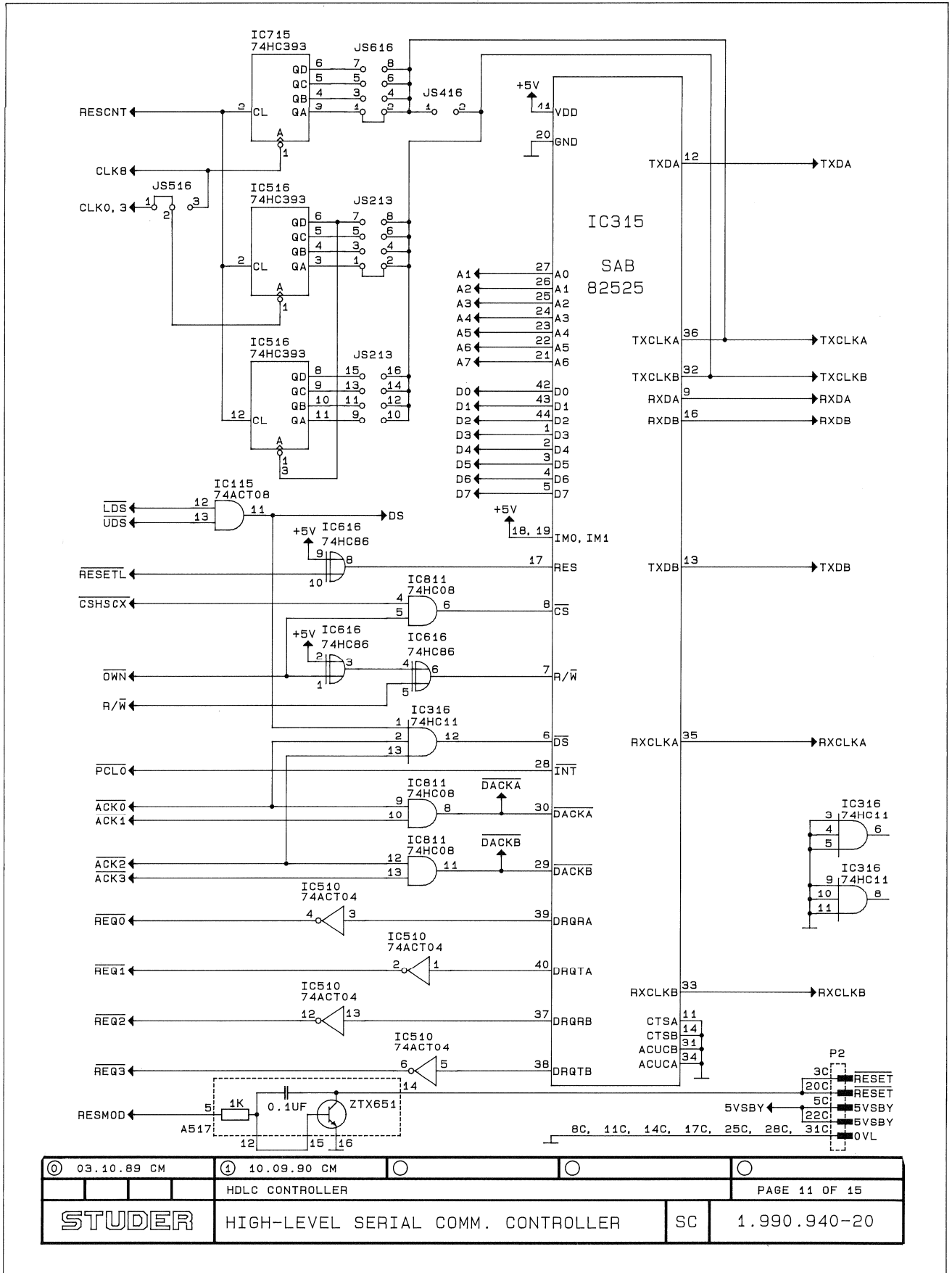


03.10.89 CM	1C.09.90 CM			
HDLC CONTROLLER				PAGE 10 OF 15
STUDER DUAL PORT RAM			SC	1.990.940-20

HDLC CONTROLLER HIGH-LEVEL SERIAL COMM. CONTROLLER



1.990.940.20

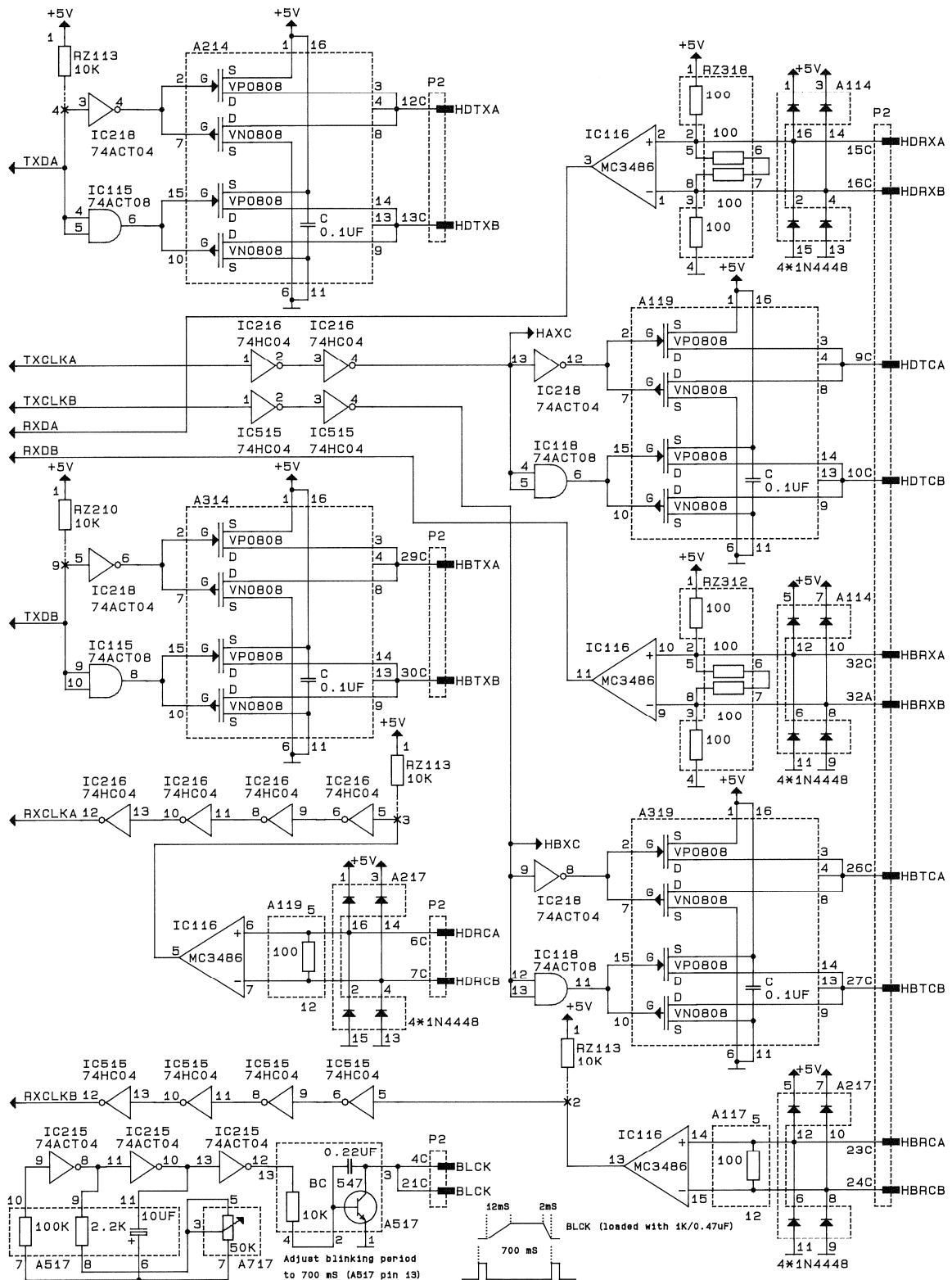


03.10.89 CM	10.09.90 CM			
HDLC CONTROLLER			PAGE 11 OF 15	
STUDER HIGH-LEVEL SERIAL COMM. CONTROLLER			SC	1.990.940-20

HDLC CONTROLLER HDLC MASTER DRIVER



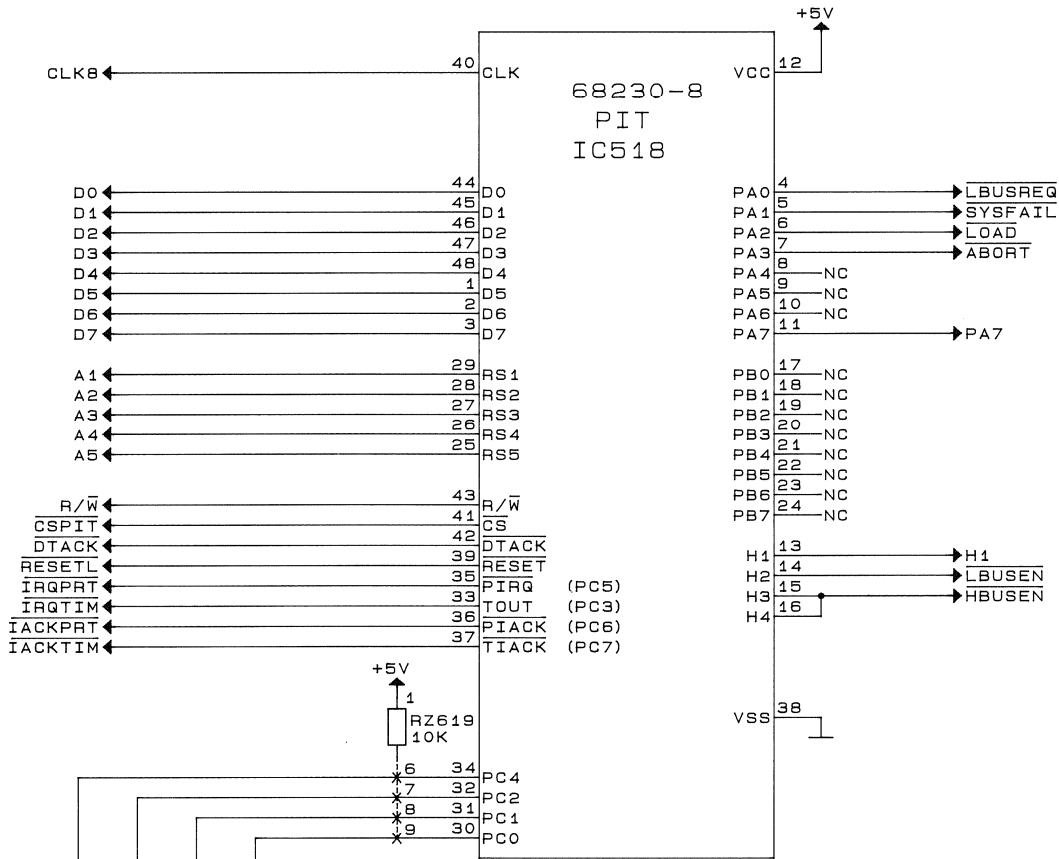
1.990.940.20



03.10.89 CM	10.09.90 CM			PAGE 12 OF 15
HDLC CONTROLLER				
STUDER HDLC MASTER DRIVER			SC	1.990.940-20

HDLC CONTROLLER PIT

1.990.940.20



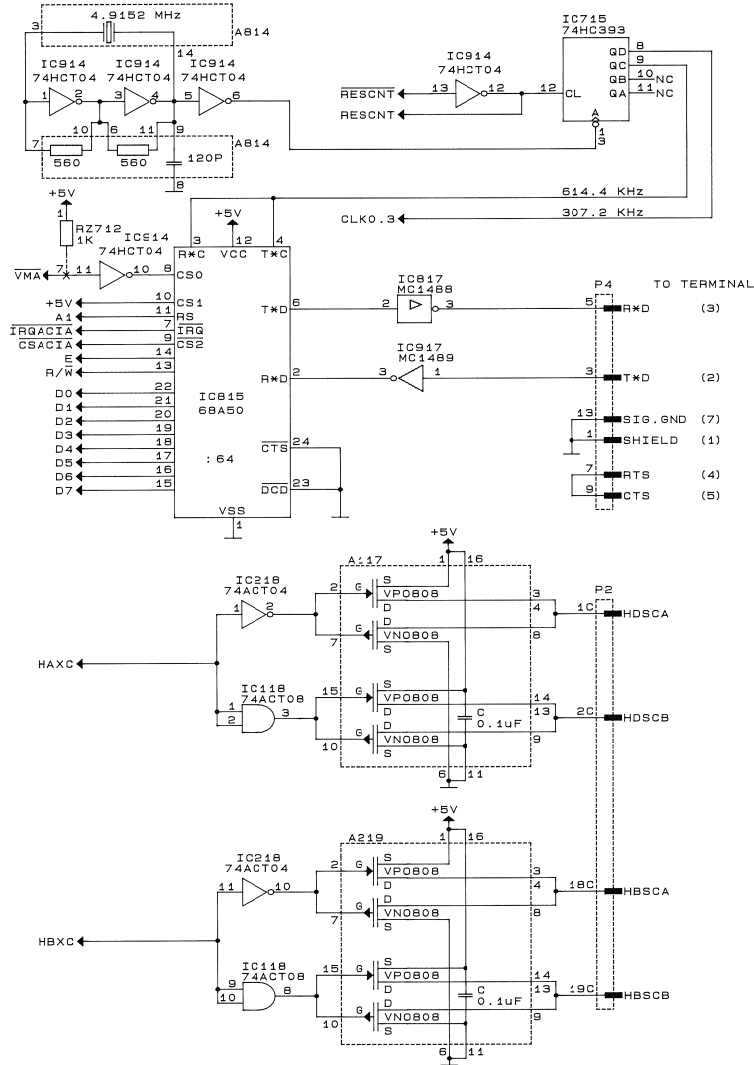
SUPPLY CONNECTIONS				
NR.	IC	GND	+12V	-12V
817	MC1488	7	14	1

FIXED INPUTS CONNECTIONS			
NR.	IC	GND	+5V
116	MC3486		4, 12
316	74HC11	3, 4, 5 9, 10, 11	
407	74LS541	1, 19	
412	74LS641-1	1, 19	
604	74ACT04		3, 5, 9, 11, 13
701	74ACT08		12, 13
704	74ACT32		9, 10, 12, 13
911	74HC03		9, 10, 12, 13

① 03.10.89 CM	① 10.09.90 CM	○	○	○
HDLC CONTROLLER			PAGE 13 OF 15	
STUDER	PIT	SC	1.990.940-20	

HDLC CONTROLLER ACIA

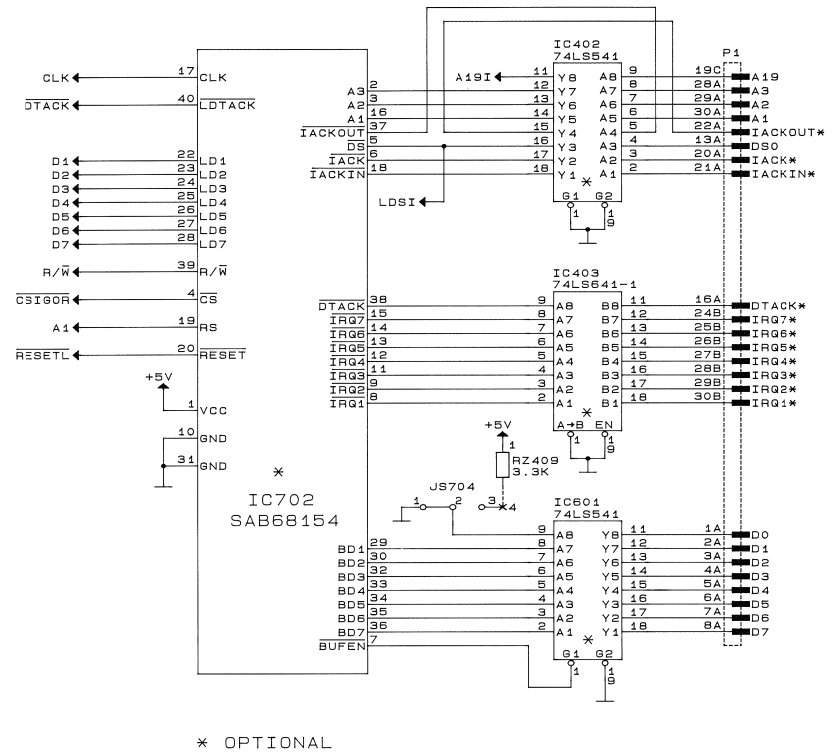
1.990.940.20



© 03.10.89 CM	① 10.09.90 CM	○	○
HDLC CONTROLLER		PAGE 14 OF 15	
STUDER	ACIA	SC	1.990.940-20

HDLC CONTROLLER INTERRUPT GENERATOR

1.990.940.20



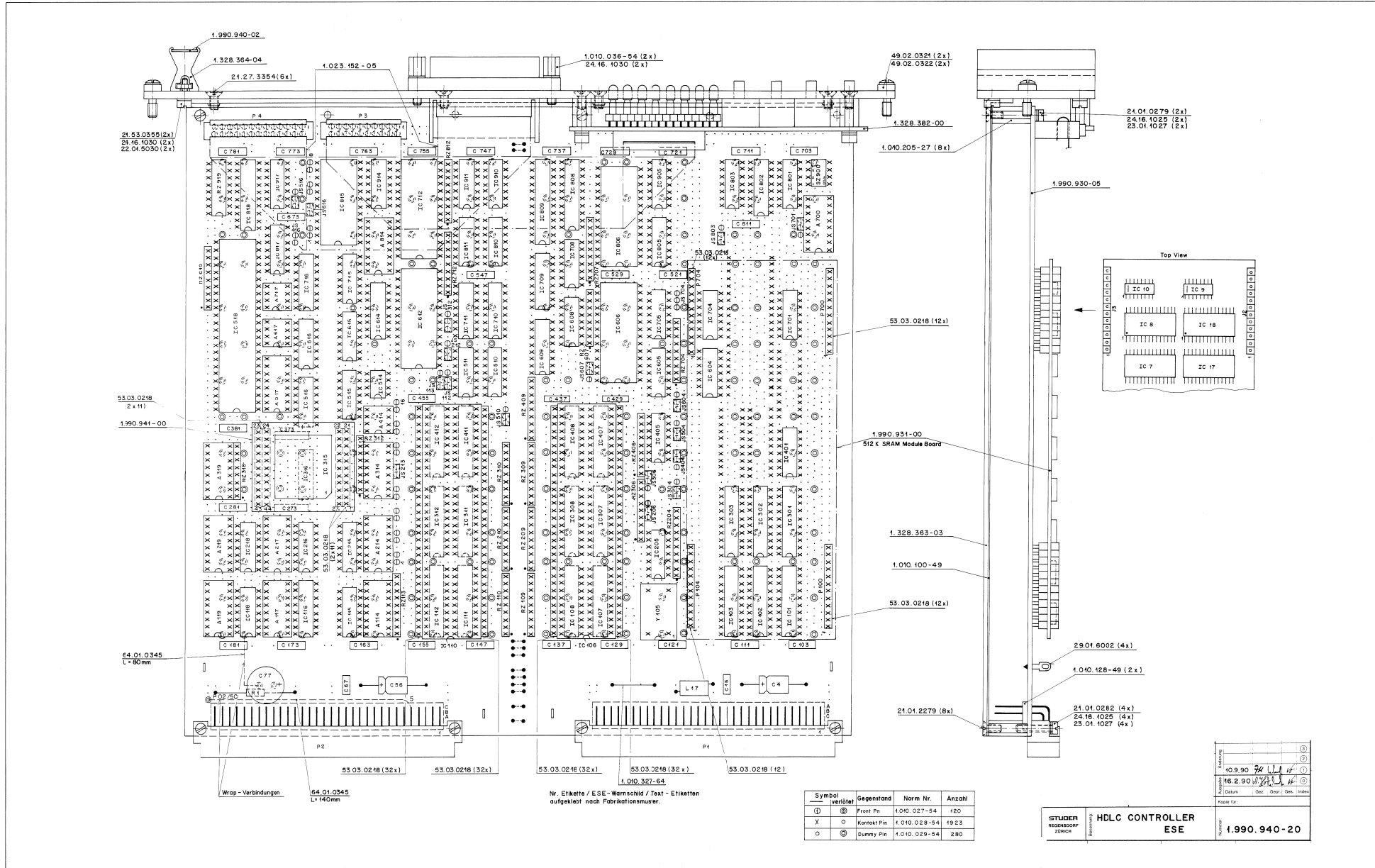
* OPTIONAL

© 03.10.89 CM	① 10.09.90 CM	○	○
HDLC CONTROLLER		PAGE 15 OF 15	
STUDER	INTERRUPT GENERATOR	SC	1.990.940-20

HDLC CONTROLLER



1.990.940.20



Symbol	Verföget	Gegenstand	Norm Nr.	Anzahl
⊕		Front Pin	1.010.027-54	420
X		Kontakt Pin	1.010.028-54	1923
○		Dummy Pin	1.010.029-54	280

STUDIER		HDLC CONTROLLER	
REGENSDORF		ESE	
ZÜRICH			
Kopiert für:		1.990.940-20	
Datum:		10.9.90	
Gez.:		16.2.90	
Gepr.:			
Gez.:			
Index:			



HDLC CONTROLLER

1.990.940.20

Ad	..POS..	...REF.No...	DESCRIPTION.....	MANUFACTURER	Ad	..POS..	...REF.No...	DESCRIPTION.....	MANUFACTURER
A...	114	1.990.890.00	Assembly 940 CLPDIO	St	IC..	412	50.06.1641	74LS641-1 Octal Bus Transceiver	Sig,TI
A...	117	1.990.891.00	Assembly 940 PPFT	St	IC..	510	50.17.7004	74 ACT 04 Quad 2-Input NAND Gate	Fc,RCA
A...	119	1.990.891.00	Assembly 940 PPFT	St	IC..	511	50.17.1074	74 HC 74 Dual D-Type FF w/Preset & Clear	Mot,Ph,TI
A...	214	1.990.891.00	Assembly 940 PPFT	St	IC..	514	50.11.0122	TL 7705 A Reset Generator	Ti
A...	217	1.990.890.00	Assembly 940 CLPDIO	St	IC..	515	50.17.1004	74 HC 04 Hex Inverter	Mot,Ph,TI,To,RCA
A...	219	1.990.891.00	Assembly 940 PPFT	St	IC..	516	50.17.1393	74 HC 393 Dual Binary Counter	Mot,Ph,TI,NS,RCA
A...	314	1.990.891.00	Assembly 940 PPFT	St	IC..	518	50.16.0150	68230 PIT Parallel-Interface Timer 8MHz	Ph,Mot,To
A...	319	1.990.891.00	Assembly 940 PPFT	St	IC..	601	50.06.0541	74 LS 541 not tipped	
A...	414	1.990.895.00	Assembly 940 RESET	St	IC..	604	50.17.7004	74 ACT 04 Hex Inverter	Fc,RCA
A...	517	1.990.893.00	Assembly 940 RESBLK	St	IC..	605	50.17.1074	74 HC 74 Dual D-Type FF w/Preset & Clear	Mot,Ph,TI
A...	617	1.990.896.00	Assembly 930/940 STBY1	St	IC..	606	1.990.998.21	SW SET HDLC RESID. (UPPER) 26/90	St
A...	700	1.990.897.00	Assembly 930/940 STBY2	St	IC..	606	1.990.998.30	SW SET HDLC RESID. (UPPER) ..92	St
A...	717	1.990.892.00	Assembly 940 ADJBLK	St	IC..	608	50.17.7020	74 ACT 20 Dual 4-Input NAND Gate	Fc,RCA
A...	814	1.990.894.00	Assembly 940 ACTIACK	St	IC..	609	50.17.1139	74 HC 139 Dual 2 to 4 Line Decoder	Mot,Ph,TI,NS,RCA
AIC.120		1.990.931.00	SRAM 512k SRAM-Module Board	see note 1. St	IC..	701	50.17.7008	74 ACT 08 Quad 2-Input NAND Gate	Fc,RCA
C....	4	59.25.3470	47uF 20%, 16V, EL		IC..	702		SCB68154 not tipped	
C....	15	59.06.0683	68nF 10%, 63V, PETP		IC..	704	50.17.7032	74 ACT 32 Quad 2-Input NOR Gate	Fc,RCA
C....	56	59.25.3470	47uF 20%, 16V, EL		IC..	705	50.17.1074	74 HC 74 Dual D-Type FF w/Preset & Clear	Mot,Ph,TI
C....	67	59.06.0683	68nF 10%, 63V, PETP		IC..	708	50.17.7002	74 ACT 02 Quad 2-Input NOR Gate	Fc,RCA
C....	77	59.22.1104	0,1F 5,5V, Gold		IC..	709	50.17.1138	74 HC 138 3-to-8 Line Decoder	RCA
C...	103	59.99.1200	68nF 20%, 63V, PE		IC..	710	50.06.0279	74 LS 279 Quad S-R Latches	NS,TI
C...	111	59.99.1200	68nF 20%, 63V, PE		IC..	711	50.17.1148	74 HC 148 8-to-3 Line Priority Encoder	SGS,TI,To
C...	121	59.99.1200	68nF 20%, 63V, PE		IC..	712	50.14.1004	HM 62256 Static RAM 32k * 8 ; 120ns	Hi,To
C...	129	59.99.1200	68nF 20%, 63V, PE		IC..	614	50.17.1148	74 HC 148 8-to-3 Line Priority Encoder	SGS,TI,To
C...	137	59.99.1200	68nF 20%, 63V, PE		IC..	615	50.17.1393	74 HC 393 Dual Binary Counter	Mot,Ph,TI,NS,RCA
C...	147	59.99.1200	68nF 20%, 63V, PE		IC..	616	50.17.1086	74 HC 86 Quad 2-Input EXOR Gate	Mot,Ph,TI,NS,RCA
C...	155	59.99.1200	68nF 20%, 63V, PE		IC..	701	50.17.7008	74 ACT 08 Quad 2-Input NAND Gate	Fc,RCA
C...	163	59.99.1200	68nF 20%, 63V, PE		IC..	702		SCB68154 not tipped	
C...	173	59.99.1200	68nF 20%, 63V, PE		IC..	704	50.17.7032	74 ACT 32 Quad 2-Input NOR Gate	Fc,RCA
C...	181	59.99.1200	68nF 20%, 63V, PE		IC..	705	50.17.1074	74 HC 74 Dual D-Type FF w/Preset & Clear	Mot,Ph,TI
01 C...	273	59.99.1200	68nF 20%, 63V, PE		IC..	708	50.17.7002	74 ACT 02 Quad 2-Input NOR Gate	Fc,RCA
C...	281	59.99.1200	68nF 20%, 63V, PE		IC..	709	50.17.1138	74 HC 138 3-to-8 Line Decoder	RCA
01 C...	373	59.99.1200	68nF 20%, 63V, PE		IC..	710	50.06.0279	74 LS 279 Quad S-R Latches	NS,TI
C...	381	59.99.1200	68nF 20%, 63V, PE		IC..	711	50.17.1148	74 HC 148 8-to-3 Line Priority Encoder	SGS,TI,To
C...	429	59.99.1200	68nF 20%, 63V, PE		IC..	712	50.14.1004	HM 62256 Static RAM 32k * 8 ; 120ns	Hi,To
C...	437	59.99.1200	68nF 20%, 63V, PE		IC..	715	50.17.1393	74 HC 393 Dual Binary Counter	Mot,Ph,TI,NS,RCA
C...	455	59.99.1200	68nF 20%, 63V, PE		IC..	716	50.06.0156	74 LS 156 Dual 1-to-4 Decoder 0.C.	Fc,NS,TI
C...	521	59.99.1200	68nF 20%, 63V, PE		IC..	801	50.17.1164	74 HC 164 8 Bit SI/PO Shift Register	Mot,Ph
C...	529	59.99.1200	68nF 20%, 63V, PE		IC..	802	50.17.1157	74 HC 157 Quad 2 Channel Multiplexer	Mot,Ph
C...	547	59.99.1200	68nF 20%, 63V, PE		IC..	803	50.17.7000	74 ACT 00 Quad 2-Input NAND Gate	Fc,RCA
C...	611	59.99.1200	68nF 20%, 63V, PE		IC..	805	50.17.1008	74 HC 08 Quad 2-Input NAND Gate	Mot,Ph,TI,NS,RCA
C...	673	59.99.1200	68nF 20%, 63V, PE		IC..	806	1.990.998.21	SW SET HDLC RESID. (LOWER) 26/90	St
01 C...	723	59.99.1200	68nF 20%, 63V, PE		IC..	806	1.990.998.30	SW SET HDLC RESID. (LOWER) ..92	St
C...	773	59.99.1200	68nF 20%, 63V, PE		IC..	808	1.990.994.20	GAL PON VECTOR	St
C...	781	59.99.1200	68nF 20%, 63V, PE		IC..	809	1.990.995.20	GAL ADDR DECODER	St
IC..	101	50.06.0541	74 LS 541 Octal Buffer/Line Driver	Mot,Ti	IC..	810	50.17.1003	74 HC 03 Quad 2-Input NAND Gate	Mot,NS,TI
IC..	102	50.06.0541	74 LS 541 Octal Buffer/Line Driver	Mot,Ti	IC..	811	50.17.1008	74 HC 08 Quad 2-Input NAND Gate	Mot,Ph,TI,NS,RCA
IC..	103	50.06.1645	74LS645-1 Octal Bus Transceiver	Mot,Ph,TI,NS,RCA	IC..	815	50.16.0101	68A50 Async.-Comm.-Interface-Adapter	Mot
IC..	106	50.16.0127	68 HC 000 16 Bit CPU 10 Mhz	Ph,Hi,Mot	IC..	817	50.15.0106	MC 1488 Quad Line Driver RS232	Mot
IC..	107	50.17.0541	74HCT 541 Octal Buffer/Line Driver	Fc,RCA	IC..	818	50.17.7574	74ACT 574 Octal D-Type Flip-Flop	Fc,RCA
IC..	108	50.17.0645	74HCT 645 Octal Bus Transceiver	Fc,RCA	IC..	905	50.17.1032	74 HC 32 Quad 2-Input NOR Gate	Mot,Ph,TI,NS,RCA
IC..	110	50.16.0125	DMA 68450 Direct-Memory-Access Controller 10 Mhz	Hi,Mot	IC..	910	50.17.7004	74 ACT 04 Quad 2-Input NAND Gate	Fc,RCA
IC..	111	50.17.0573	74HCT 573 Octal D-Type Latch	Mot,Ph,TI,NS,RCA	IC..	911	50.17.1003	74 HC 03 Quad 2-Input NAND Gate	Mot,NS,TI
IC..	112	50.17.0645	74HCT 645 Octal Bus Transceiver	Mot,Ph,TI,NS,RCA	IC..	914	50.17.0004	74 HCT 04 Hex Inverter	Mot,Ph,TI,To,RCA
IC..	115	50.17.7008	74 ACT 08 Quad 2-Input AND Gate	Fc,RCA	IC..	917	50.15.0116	MC 1489 Quad Line Receiver RS232	Mot
IC..	116	50.15.0104	MC 3486 Quad Line Receiver RS 422/423	Mot,TI	JS..	112	54.01.0021	see note 4.	
IC..	118	50.17.7008	74 ACT 08 Quad 2-Input AND Gate	Fc,RCA	JS..	113	54.01.0021	see note 4.	
IC..	205	50.17.1074	74 HC 74 Dual D-Type FF w/Preset & Clear	Fc,RCA	JS..	206	54.01.0021	see note 4.	
IC..	215	50.17.7004	74 ACT 04 Quad 2-Input NAND Gate	Fc,RCA	JS..	212	54.01.0021	see note 4.	
IC..	216	50.17.1004	74 HC 04 Hex Inverter	Mot,Ph,TI,To,RCA	JS..	213	54.01.0021	see note 5.	
IC..	218	50.17.7004	74 ACT 04 Quad 2-Input NAND Gate	Fc,RCA	JS..	304	54.01.0021	see note 4.	
IC..	301	50.06.1645	74LS645-1 Octal Bus Transceiver	Nat,TI	JS..	306	54.01.0021	see note 4.	
IC..	302	50.17.1541	74 HC 541 Octal Buffer/Line Driver	Fc,RCA	JS..	312	54.01.0021	see note 4.	
IC..	303	50.06.0684	74 LS 684 8-Bit Magnitude Comparator	Mot,TI	JS..	404	54.01.0021	see note 4.	
IC..	307	50.17.1541	74 HC 541 Octal Buffer/Line Driver	Fc,RCA	JS..	416	54.01.0021	see note 3.	
IC..	308	50.17.0541	74HCT 541 Octal Buffer/Line Driver	Fc,RCA	JS..	504	54.01.0021	see note 4.	
IC..	311	50.17.0573	74HCT 573 Octal D-Type Latch	Mot,Ph,TI,NS,RCA	JS..	510	54.01.0021	see note 4.	
IC..	312	50.17.0645	74HCT 645 Octal Bus Transceiver	Mot,Ph,TI,NS,RCA	JS..	516	54.01.0021	see note 4.	
IC..	315	50.63.0200	SAB82525N High-Level Ser. Com. Ctr.	see note 2 Sie	JS..	604	54.01.0021	see note 4.	
IC..	316	50.17.1011	74 HC 11 Triple 3-Input Positive AND Gate		JS..	607	54.01.0021	see note 4.	
IC..	401	50.17.7032	74 ACT 32 Quad 2-Input NOR Gate	Fc,RCA	JS..	616	54.01.0021	see note 6.	
IC..	402	50.06.0541	74 LS 541 not tipped		JS..	701	54.01.0021	see note 4.	
IC..	403	50.06.1641	74LS641-1 not tipped		JS..	704	54.01.0021	see note 3A.	
IC..	405	50.17.7164	74ACT 164 8 Bit SI/PO Shift Register	Fc,RCA	JS..	803	54.01.0021	see note 4.	
IC..	407	50.06.0541	74 LS 541 Octal Buffer/Line Driver	Mot,TI	L....	17	62.01.0115	Wide-Band Choke	
IC..	408	50.17.0645	74HCT 645 Octal-Bus Transceiver	Fc,RCA	P....	1	54.01.0354	3*32 pins Eurocard-Connector	
IC..	411	50.17.0645	74HCT 645 Octal Bus Transceiver	Mot,Ph,TI,NS,RCA	P....	2	54.01.0354	3*32 pins Eurocard-Connector	
					P....	3	.	2*10 pins see note 7.	
					P....	4	.	2*13 pins see note 8.	
					P....	100	.	1*12 pins see note 1.	
					P....	104	.	1*12 pins see note 1.	
					P....	700	.	1*12 pins see note 1.	
					P....	704	.	1*12 pins see note 1.	
					R....	1	57.11.3101	100 1%, 0207 , MF	
					RZ..	109	57.88.4103	8 * 10k 2%, SIP9	
					RZ..	110	57.88.4103	8 * 10k 2%, SIP9	
					RZ..	113	57.88.4103	8 * 10k 2%, SIP9	
					RZ..	204	57.80.4001	8*330/470 2%, SIP10	
					RZ..	209	57.88.4103	8 * 10k 2%, SIP9	
					RZ..	210	57.88.4103	8 * 10k 2%, SIP9	



HDLC CONTROLLER

1.990.940.20

Ad	..POS..	...REF.No...	DESCRIPTION.....	MANUFACTURER
----	---------	--------------	------------------	--------------

RZ..306	57.88.4103	8 * 10k	2%, SIP9	
RZ..309	57.88.4103	8 * 10k	2%, SIP9	
RZ..310	57.88.4103	8 * 10k	2%, SIP9	
RZ..312	57.88.2101	4 * 100	2%, SIP8	
RZ..318	57.88.2101	4 * 100	2%, SIP8	
RZ..406	57.88.4103	8 * 10k	2%, SIP9	
RZ..409	57.88.4332	8 * 3.3k	2%, SIP9	
RZ..607	57.88.2103	4 * 10k	2%, SIP8	
RZ..619	57.88.4103	8 * 10k	2%, SIP9	
RZ..704	57.88.4103	8 * 10k	2%, SIP9	
RZ..707	57.88.4103	8 * 10k	2%, SIP9	
RZ..712	57.88.4102	8 * 1k	2%, SIP9	
RZ..812	57.88.4103	8 * 10k	2%, SIP9	
RZ..919	57.88.3331	8 * 330	2%, DIL16	
SZ..900	55.01.0164	4 * A	DIL Switch	

Y...105 89.01.1805 20 Mhz Quartz Oscillator
Each one of devices IC106 (68HC000) and IC110 (DMA 68450) is plugged into 2 * 32 pcs. Socket Strips (# 53.03.0218).

Note 1: The 512k SRAM-Module Board is plugged into 4 sockets: P100; P104; P700; P704. Each socket consists of 1 * 12 pcs. Socket Strip # 53.03.0218.

Note 2: The device IC315 consists of 1 pc. SAB 82 525-N tipped on the PLCC 44-Wrap Adapter # 1.990.941-00. It is plugged into the HDLC Controller Board # 1.990.940-20 using 4 * 11 pcs. Socket Strip # 53.03.0218.

Note 3: The Jumper consists of 2 pcs. Front Pin (# 1.010.027.54).

Note 3A: The Jumper consists of 3 pcs. Front Pin (# 1.010.027.54).

Note 4: The Jumper consists of 1 pc. Bridge Connector (# 54.01.0021) plugged into 2-of-3 pcs. Front Pin (# 1.010.027.54).

Note 5: The Jumper consists of 1 pc. Bridge Connector (# 54.01.0021) plugged into 1-of-8 pairs (8 * 2 pcs.) Front Pin (# 1.010.027.54).

Note 6: The Jumper consists of 1 pc. Bridge Connector (# 54.01.0021) plugged into 1-of-4 pairs (4 * 2 pcs.) Front Pin (# 1.010.027.54).

Note 7: P3 consists of 2 * 10 pcs. Front Pin (# 1.010.027.54).

Note 8: P4 consists of 2 * 13 pcs. Front Pin (# 1.010.027.54).

Index (01) : - IC107, IC308, 74 HC 541, # 50.17.1541, are replaced by (10.09.90) 74 HCT 541, # 50.17.0541.
- IC108, IC408, 74 HC 645, # 50.17.1645, are replaced by 74 HCT 645, # 50.17.0645.
- C273, C373, 0.068uF, # 59.99.1200, and IC136, 74 HC 11, # 50.17.1011, are added to the board.

Suffix .21 : -IC606 & IC806 are programmed with the new software (03.06.91) # 1.990.998.21.

Suffix .30 : -IC606 & IC806 are programmed with the new software (04.03.92) # 1.990.998.30.

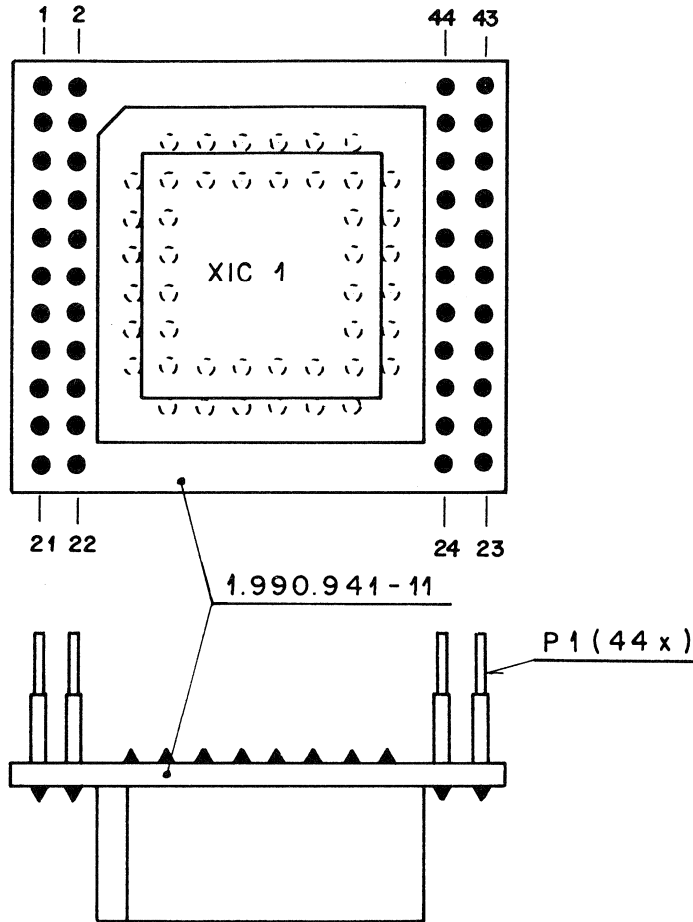
EL = Electrolytic, PEPT = Polyester, PE = Poliaethylen

Manufacturers: Fc = Fairchild
Hi = Hitachi
Mot = Motorola
NS = National Semiconductors
Ph = Phillips (incl. Valvo)
RCA = RCA Corporation
SGS = SGS Microelettronica spa
Sie = Siemens
Sig = Signetics
St = Studer
TI = Texas Instruments
To = Toshiba

1.990.940.20	HDLC CONTROLLER	CM90/09/1001
1.990.940.21	HDLC CONTROLLER	CM91/06/0321
1.990.940.30	HDLC CONTROLLER	CM92/04/0330

PLCC 44-WRAP ADAPTER

1.990.941.00



28.11.89 12.11.11 1.990.941-00 REGISDORF ZÜRICH	PLCC 44-WRAP ADAPTER	1.990.941-00
---	----------------------	--------------

Ad . . . POS. . . . REF.No. . . . DESCRIPTION MANUFACTURER

XIC...1 53.03.2244 IC-Socket PLCC 44 Pins
 P....1 53.03.0251 44 pins see note St

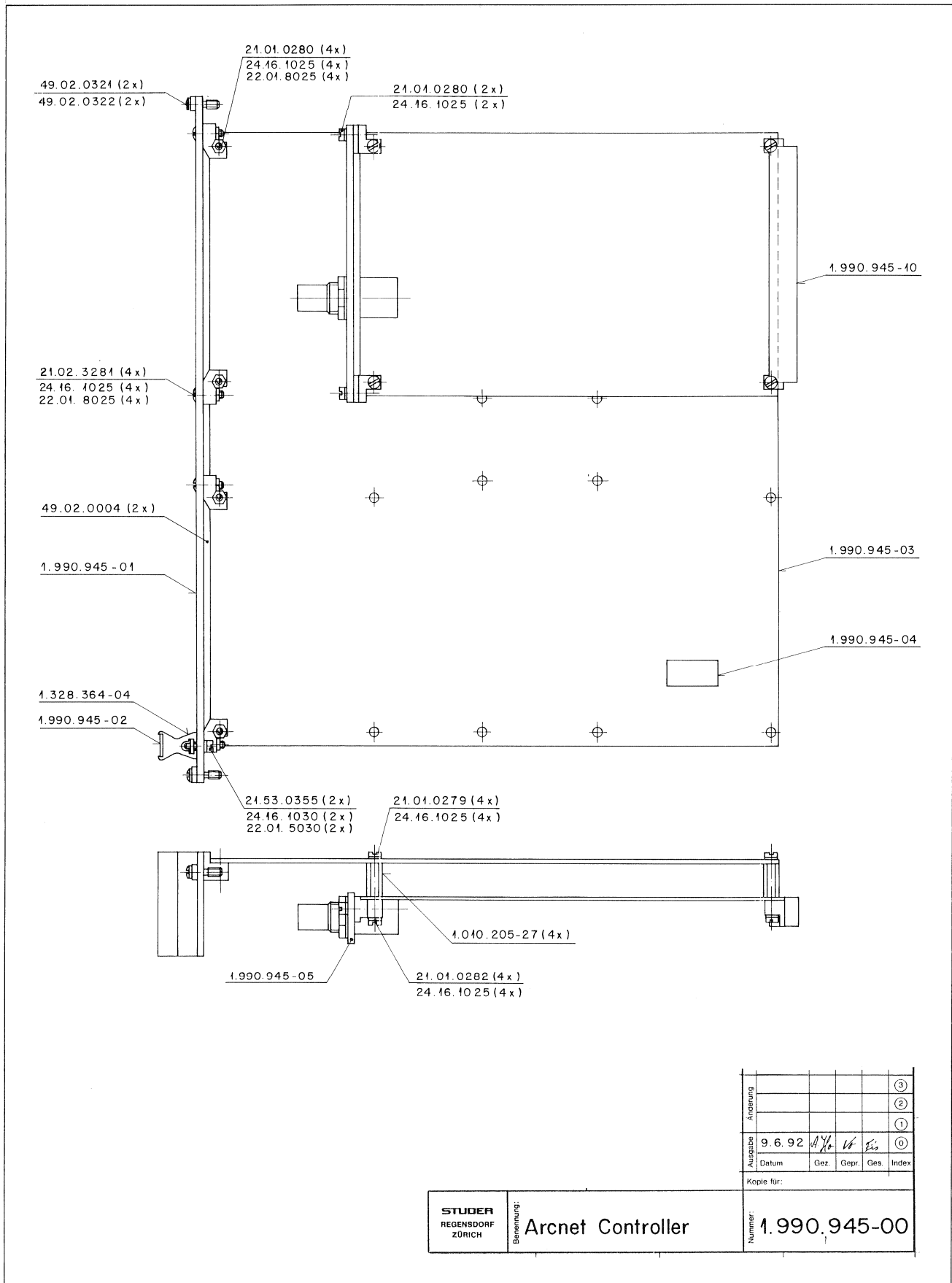
note: connector P1 consists of 44 pcs. one row contact-strip
 # 53.03.0251 (1 pin = 1 pc.).

MANUFACTURER : St=Studer

1.990.941-00 PLCC 44-WRAP ADAPTER DAW88/12/1200

ARCNET CONTROLLER

1.990.945.00

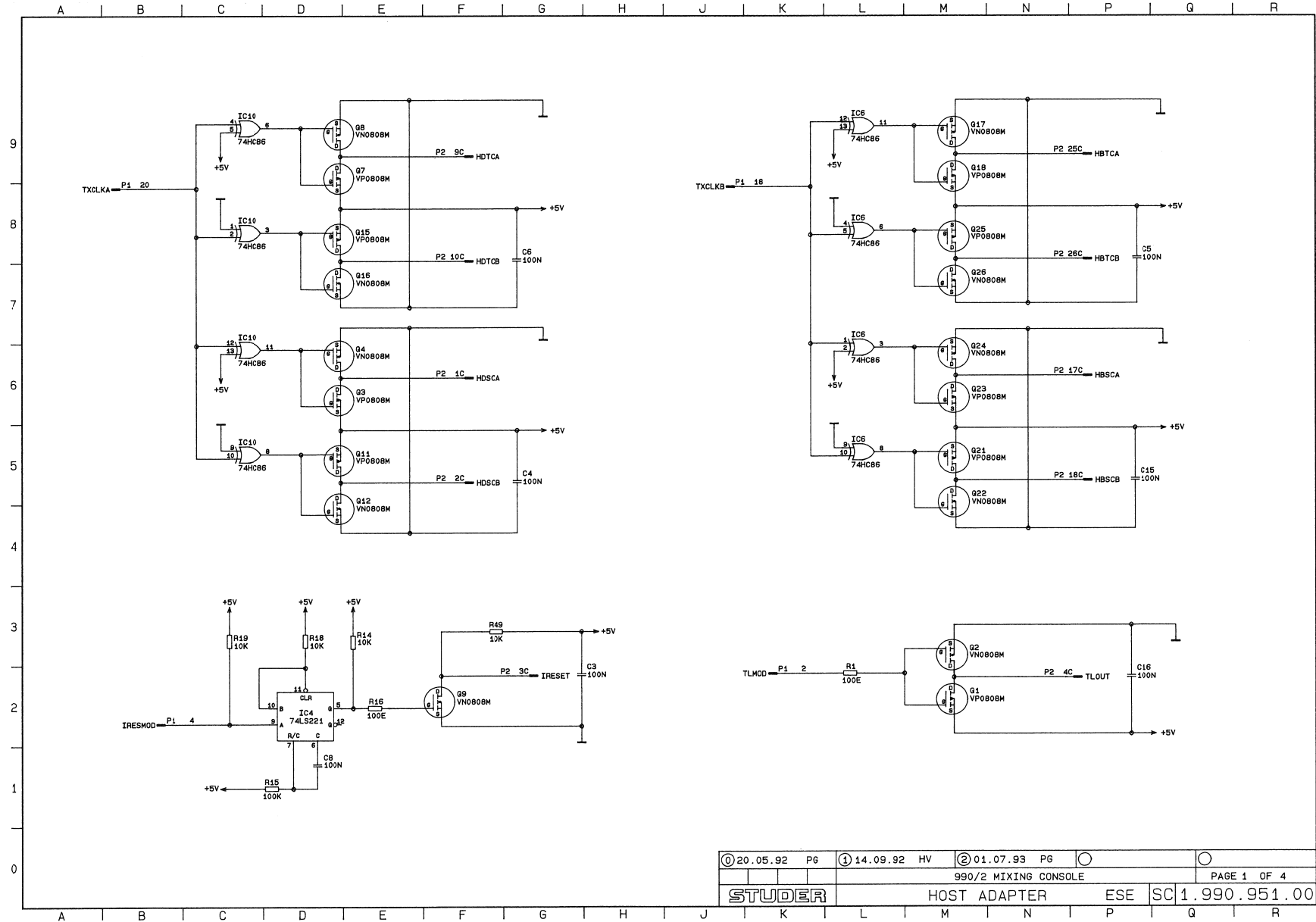


Ausgabe	Änderung					③
						②
						①
	Datum	9.6.92	<i>AK</i>	<i>VK</i>	<i>ES</i>	①
Kopie für:						

STUDER REGENSDORF ZÜRICH	Bezeichnung: Arcnet Controller	Nummer: 1.990.945-00

HOST ADAPTER

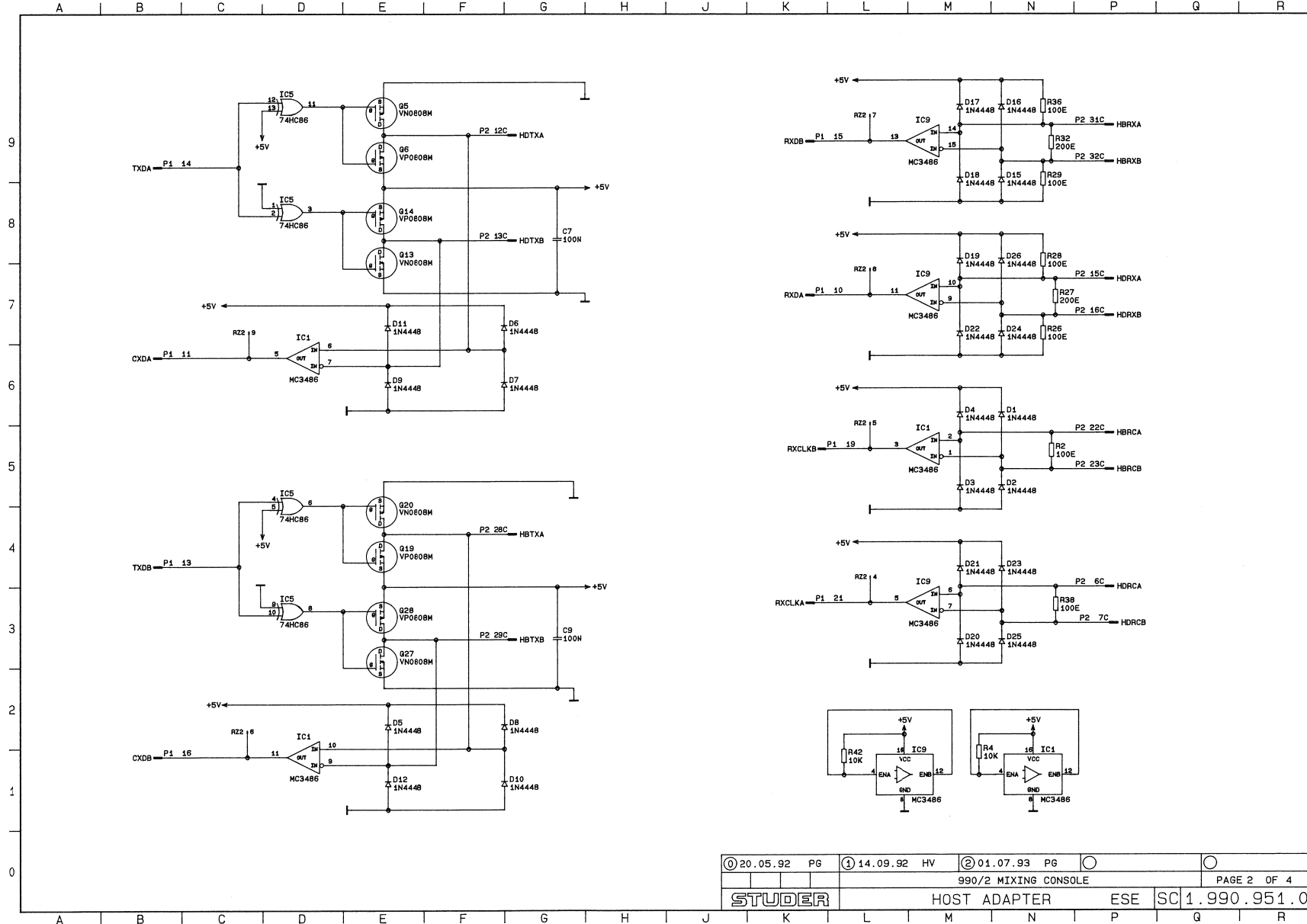
1.990.951.00



① 20.05.92 P6	① 14.09.92 HV	② 01.07.93 P6	○	○	
990/2 MIXING CONSOLE					
PAGE 1 OF 4					
STUDER		HOST ADAPTER		ESE	SC 1.990.951.00

HOST ADAPTER

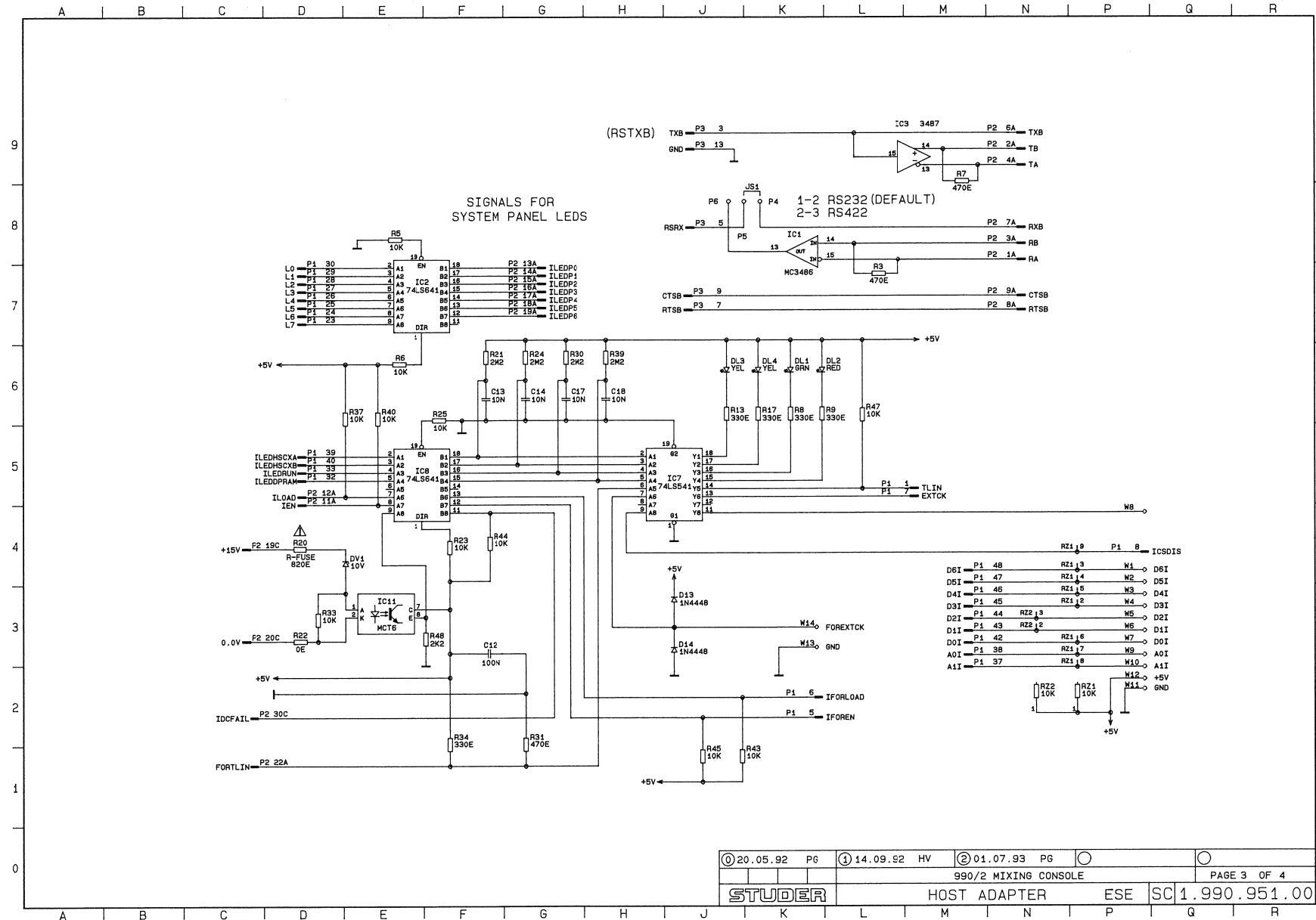
1.990.951.00



© 20.05.92 PG	① 14.09.92 HV	② 01.07.93 PG	○	○
990/2 MIXING CONSOLE				PAGE 2 OF 4
STUDER		HOST ADAPTER		ESE SC 1.990.951.00

HOST ADAPTER

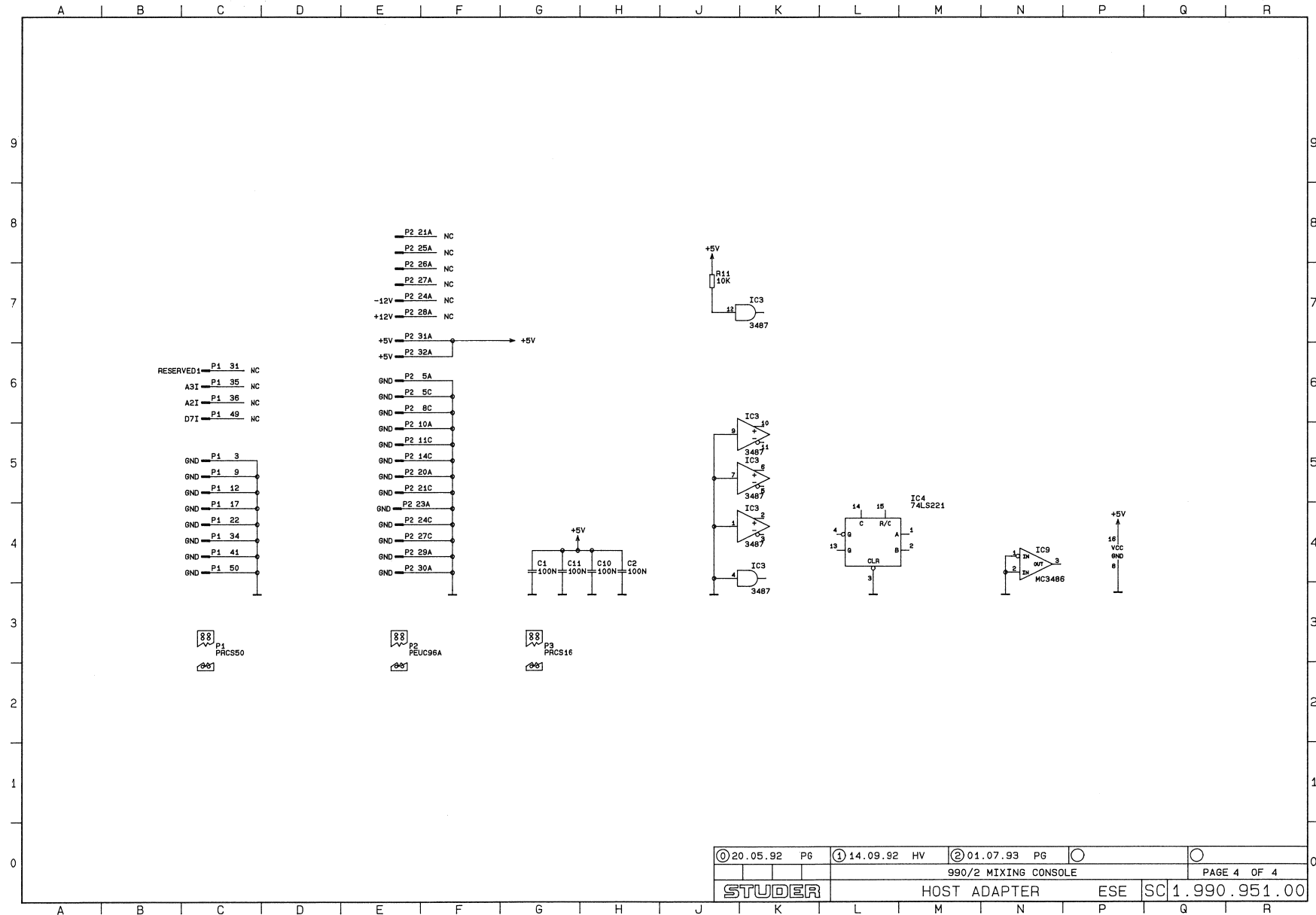
1.990.951.00



© 20.05.92 P6	① 14.09.92 HV	② 01.07.93 P6	○
990/2 MIXING CONSOLE			PAGE 3 OF 4
STUDER		HOST ADAPTER	ESE SC 1.990.951.00

HOST ADAPTER

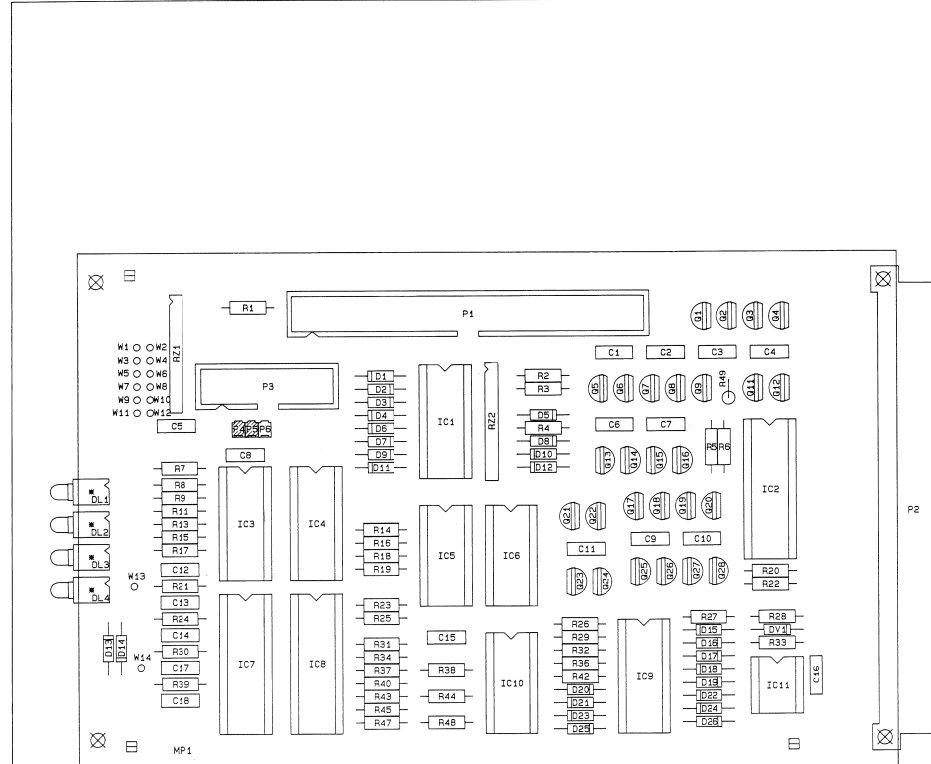
1.990.951.00



① 20.05.92 P6	① 14.09.92 HV	② 01.07.93 P6	○
990/2 MIXING CONSOLE			
STUDER		HOST ADAPTER	ESE SC 1.990.951.00

HOST ADAPTER

1.990.951.00



Ad	POS.	REF. No.	DESCRIPTION	MANUFACTURER	Ad	POS.	REF. No.	DESCRIPTION	MANUFACTURER
C	1	59.06.0104	100n	10%, 63V		Q	23	50.03.1554	VPO808M
C	2	59.06.0104	100n	10%, 63V		Q	24	50.03.1505	VNO808M
C	3	59.06.0104	100n	10%, 63V		Q	25	50.03.1554	VPO808M
C	4	59.06.0104	100n	10%, 63V		Q	26	50.03.1505	VNO808M
C	5	59.06.0104	100n	10%, 63V		Q	27	50.03.1505	VNO808M
C	6	59.06.0104	100n	10%, 63V		Q	28	50.03.1554	VPO808M
C	7	59.06.0104	100n	10%, 63V		R	1	57.11.3101	100E
C	8	59.06.0104	100n	10%, 63V		R	2	57.11.3101	100E
C	9	59.06.0104	100n	10%, 63V		R	3	57.11.3471	470E
C	10	59.06.0104	100n	10%, 63V		R	4	57.11.3103	10K
C	11	59.06.0104	100n	10%, 63V		R	5	57.11.3103	10K
C	12	59.06.0104	100n	10%, 63V		R	6	57.11.3103	10K
C	13	59.06.0103	10n	10%, 63V		R	7	57.11.3471	470E
C	14	59.06.0103	10n	10%, 63V		R	8	57.11.3331	330E
C	15	59.06.0104	100n	10%, 63V		R	9	57.11.3331	330E
C	16	59.06.0104	100n	10%, 63V		R	11	57.11.3103	10K
C	17	59.06.0103	10n	10%, 63V		R	13	57.11.3331	330E
C	18	59.06.0103	10n	10%, 63V		R	14	57.11.3103	10K
C	19	59.06.0104	100n	10%, 63V		R	15	57.11.3104	100K
C	20	59.06.0104	100n	10%, 63V		R	16	57.11.3101	100E
D	1	50.04.0125	1M4448	0K35, RECTIFIER		R	17	57.11.3331	330E
D	2	50.04.0125	1M4448	0K35, RECTIFIER		R	18	57.11.3103	10K
D	3	50.04.0125	1M4448	0K35, RECTIFIER		R	19	57.11.3103	10K
D	4	50.04.0125	1M4448	0K35, RECTIFIER		R	20	57.19.0821	820E
D	5	50.04.0125	1M4448	0K35, RECTIFIER		R	21	57.11.5225	2M2
D	6	50.04.0125	1M4448	0K35, RECTIFIER		R	22	57.19.0821	820E
D	7	50.04.0125	1M4448	0K35, RECTIFIER		R	23	57.11.3000	10K
D	8	50.04.0125	1M4448	0K35, RECTIFIER		R	24	57.11.3103	10K
D	9	50.04.0125	1M4448	0K35, RECTIFIER		R	25	57.11.5225	2M2
D	10	50.04.0125	1M4448	0K35, RECTIFIER		R	26	57.11.3103	10K
D	11	50.04.0125	1M4448	0K35, RECTIFIER		R	27	57.11.3201	200E
D	12	50.04.0125	1M4448	0K35, RECTIFIER		R	28	57.11.3101	100E
D	13	50.04.0125	1M4448	0K35, RECTIFIER		R	29	57.11.3101	100E
D	14	50.04.0125	1M4448	0K35, RECTIFIER		R	30	57.11.5225	2M2
D	15	50.04.0125	1M4448	0K35, RECTIFIER		R	31	57.11.3471	470E
D	16	50.04.0125	1M4448	0K35, RECTIFIER		R	32	57.11.3201	200E
D	17	50.04.0125	1M4448	0K35, RECTIFIER		R	33	57.11.3103	10K
D	18	50.04.0125	1M4448	0K35, RECTIFIER		R	34	57.11.3331	330E
D	19	50.04.0125	1M4448	0K35, RECTIFIER		R	35	57.11.3101	100E
D	20	50.04.0125	1M4448	0K35, RECTIFIER		R	36	57.11.3101	100E
D	21	50.04.0125	1M4448	0K35, RECTIFIER		R	37	57.11.3103	10K
D	22	50.04.0125	1M4448	0K35, RECTIFIER		R	38	57.11.3101	100E
D	23	50.04.0125	1M4448	0K35, RECTIFIER		R	39	57.11.5225	2M2
D	24	50.04.0125	1M4448	0K35, RECTIFIER		R	40	57.11.3103	10K
D	25	50.04.0125	1M4448	0K35, RECTIFIER		R	42	57.11.3103	10K
D	26	50.04.0125	1M4448	0K35, RECTIFIER		R	43	57.11.3103	10K
DL	1	50.04.2751		GRN, 10MA		R	44	57.11.3331	330E
DL	2	50.04.2750		RED, 10MA		R	45	57.11.3103	10K
DL	3	50.04.2752		YEL, 10MA		R	46	57.11.3222	242
DL	4	50.04.2752		YEL, 10MA		R	47	57.11.3103	10K
DW	1	50.04.1119	15V	5%, 0.5W, DO35, ZENER		R	48	57.11.3103	10K
DW	1	50.04.1114	10V	5%, 0.5W, DO35, ZENER		R	49	57.11.3103	10K
IC	1	50.15.0104	MC3486	DI16, QUAD LINE REC. RS422/423		RZ	1	57.88.4103	10K
IC	2	50.06.1641	74LS641	DI20, OCTAL BUS TRANSCIEVER		RZ	2	57.88.4103	10K
IC	3	50.15.0105	3487	DI16, QUAD LINE DRIVER RS422		XIC	1	53.03.0168	D1L16 SOCKET FOR IC1
IC	4	50.06.0221	74LS221	DI16, QUAD MONOST. MULTIVIBRATOR		XIC	2	53.03.0165	D1L20 SOCKET FOR IC2
IC	5	50.17.1086	74HC86	DI14, QUAD 2-INPUT EXOR2 GATE		XIC	3	53.03.0168	D1L16 SOCKET FOR IC3
IC	6	50.17.1086	74HC86	DI14, QUAD 2-INPUT EXOR2 GATE		XIC	4	53.03.0168	D1L16 SOCKET FOR IC4
IC	7	50.06.0541	74LS541	DI20, OCTAL BUS BUFFER		XIC	5	53.03.0167	D1L14 SOCKET FOR IC5
IC	8	50.06.1641	74LS641	DI20, OCTAL BUS TRANSCIEVER		XIC	6	53.03.0167	D1L14 SOCKET FOR IC6
IC	9	50.15.0104	MC3486	DI16, QUAD LINE REC. RS422/423		XIC	7	53.03.0165	D1L20 SOCKET FOR IC7
IC	10	50.17.1086	74HC86	DI14, QUAD 2-INPUT EXOR2 GATE		XIC	8	53.03.0165	D1L20 SOCKET FOR IC8
IC	11	50.99.0111	MCT6	DI108, OPTOCOUPLER		XIC	9	53.03.0168	D1L16 SOCKET FOR IC9
J	1	54.01.0021		JUMPER		XIC	10	53.03.0167	D1L14 SOCKET FOR IC10
MP	1	1.990.951.11		EMPTY PCB		XIC	11	53.03.0166	D1L8 SOCKET FOR IC11
MP	2	43.01.0108		ESE STICKER					
MP	3	1.990.951.04		NUMBER ETIQUETTE					
P	1	54.14.2005	50-P	STR., MALE, RIBBON-CABLE-PLUG					
P	2	54.01.0358	96P	MALE, ANGLE					
P	3	54.14.2002	16-P	STR., MALE, RIBBON-CABLE-PLUG					
P	4	54.01.0020	1-P	STR., MALE, P-STRIP AU 8MM					
P	5	54.01.0020	1-P	STR., MALE, P-STRIP AU 8MM					
P	6	54.01.0020	1-P	STR., MALE, P-STRIP AU 8MM					
Q	1	50.03.1554	VPO808M	PFET, TO237, MOS 80V					
Q	2	50.03.1505	VNO808M	NFET, TO237, MOS 80V					
Q	3	50.03.1554	VPO808M	PFET, TO237, MOS 80V					
Q	4	50.03.1505	VNO808M	NFET, TO237, MOS 80V					
Q	5	50.03.1505	VNO808M	NFET, TO237, MOS 80V					
Q	6	50.03.1554	VPO808M	PFET, TO237, MOS 80V					
Q	7	50.03.1554	VPO808M	PFET, TO237, MOS 80V					
Q	8	50.03.1505	VNO808M	NFET, TO237, MOS 80V					
Q	9	50.03.1505	VNO808M	NFET, TO237, MOS 80V					
Q	10	50.03.1554	VPO808M	PFET, TO237, MOS 80V					
Q	10	50.03.1554	VPO808M	PFET, TO237, MOS 80V					
Q	11	50.03.1554	VPO808M	PFET, TO237, MOS 80V					
Q	12	50.03.1505	VNO808M	NFET, TO237, MOS 80V					
Q	13	50.03.1505	VNO808M	NFET, TO237, MOS 80V					
Q	14	50.03.1554	VPO808M	PFET, TO237, MOS 80V					
Q	15	50.03.1554	VPO808M	PFET, TO237, MOS 80V					
Q	16	50.03.1505	VNO808M	NFET, TO237, MOS 80V					
Q	17	50.03.1505	VNO808M	NFET, TO237, MOS 80V					
Q	18	50.03.1554	VPO808M	PFET, TO237, MOS 80V					
Q	19	50.03.1554	VPO808M	PFET, TO237, MOS 80V					
Q	20	50.03.1505	VNO808M	NFET, TO237, MOS 80V					
Q	21	50.03.1554	VPO808M	PFET, TO237, MOS 80V					
Q	22	50.03.1505	VNO808M	NFET, TO237, MOS 80V					

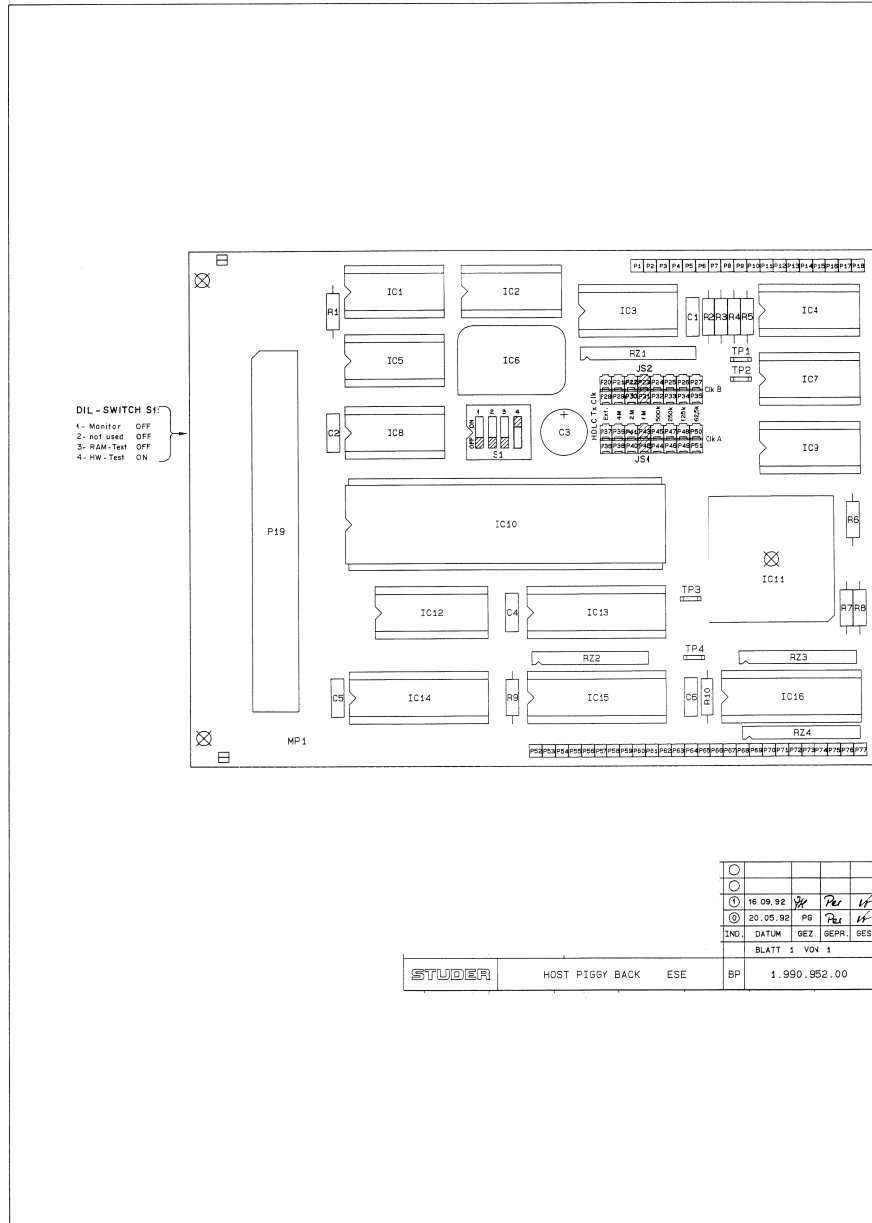
○	01.07.93	PG	PG	VC
⊕	14.09.92	HV	PER	VC
⊖	20.05.92	PG	PER	VC
IND.	DATUM	GEZ.	GEPR.	GES.

STUDER	HOST ADAPTER	ESE	BP	1.990.951.00
--------	--------------	-----	----	--------------



1.990.952.00

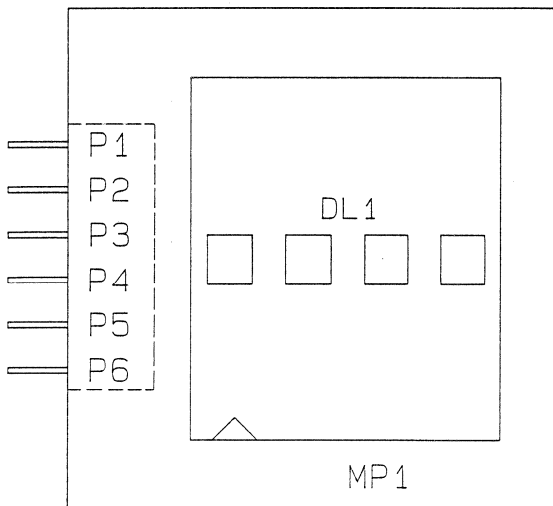
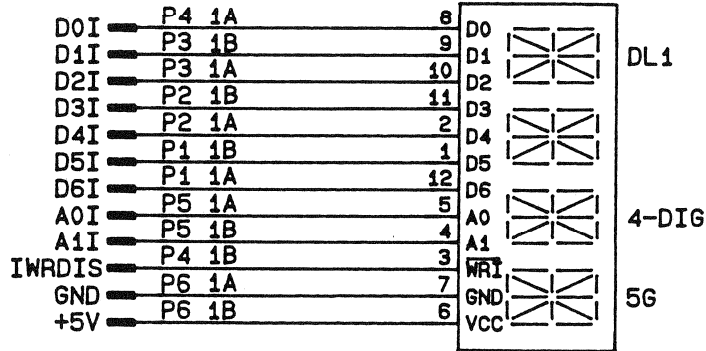
HOST PIGGY BACK



Ad	POS	REF.No	DESCRIPTION	MANUFACTURER	Ad	POS	REF.No	DESCRIPTION	MANUFACTURER
C...	1	59.06.0104	100n	10 %, 63V	P...	71	54.99.0360	1-P	STR., MALE, SOLDER PLUG
C...	2	59.06.0104	100n	10 %, 63V	P...	72	54.99.0360	1-P	STR., MALE, SOLDER PLUG
C...	3	59.22.4470	47u	20%50 %, 16V	P...	73	54.99.0360	1-P	STR., MALE, SOLDER PLUG
C...	4	59.06.0104	100n	10 %, 63V	P...	74	54.99.0360	1-P	STR., MALE, SOLDER PLUG
C...	5	59.06.0104	100n	10 %, 63V	P...	75	54.99.0360	1-P	STR., MALE, SOLDER PLUG
C...	6	59.06.0104	100n	10 %, 63V	P...	76	54.99.0360	1-P	STR., MALE, SOLDER PLUG
IC...	1	50.17.1000	74HC00	DIP14, QUAD 2-INPUT NAND GATE	P...	77	54.99.0360	1-P	STR., MALE, SOLDER PLUG
IC...	2	50.17.1003	74HC03	DIP14, QUAD 2-INPUT NAND GATE	R...	1	57.11.3221	220E	1 %, 0.6W, MF
IC...	3	50.17.1000	74HC00	DIP14, QUAD 2-INPUT NAND GATE	R...	2	57.11.3221	220E	1 %, 0.6W, MF
IC...	4	50.17.1164	74HC164	DIP14, 8BIT SI/PO SHIFT REGISTER	R...	3	57.11.3102	1k	1 %, 0.6W, MF
IC...	5	50.17.1008	74HC08	DIP14, QUAD 2-INPUT AND GATE	R...	4	57.11.3102	1k	1 %, 0.6W, MF
IC...	6	89.01.1800	16.000MHZ	Y-05C1	R...	5	57.11.3102	1k	1 %, 0.6W, MF
IC...	7	50.17.1003	74HC03	DIP14, QUAD 2-INPUT NAND GATE	R...	6	57.11.3102	1k	1 %, 0.6W, MF
IC...	8	50.17.1032	74HC32	DIP14, QUAD 2-INPUT OR GATE	R...	7	57.11.3221	220E	1 %, 0.6W, MF
IC...	9	50.17.1033	74HC393	DIP14, DUAL BINARY COUNTER	R...	8	57.11.3102	1k	1 %, 0.6W, MF
IC...	10	50.16.0150	MC68230-P8	DIP48, PARALLEL IF / TIMER	R...	9	57.11.3102	1k	1 %, 0.6W, MF
IC...	11	50.63.0200	SAB82525-N	PLCC44, HIGH LEVEL SER. COMM. CON	R...	10	57.11.3103	10k	1 %, 0.6W, MF
IC...	12	50.17.1139	74HC139	DIP16, DUAL 2 TO 4 LINE DECODER	RZ...	1	57.88.4103	10k	2 %, 0.125W, SIP09, 8 * 10K
IC...	13	50.17.1645	74HC645	DIP20, OCTAL BUS TRANSCIEVER	RZ...	2	57.88.4332	3k3	2 %, 0.125W, SIP09, 8 * 3K3
IC...	14	50.17.1645	74HC645	DIP20, OCTAL BUS TRANSCIEVER	RZ...	3	57.88.4332	3k3	2 %, 0.125W, SIP09, 8 * 3K3
IC...	15	50.17.1645	74HC645	DIP20, OCTAL BUS TRANSCIEVER	RZ...	4	57.88.4332	3k3	2 %, 0.125W, SIP09, 8 * 3K3
IC...	16	50.17.1645	74HC645	DIP20, OCTAL BUS TRANSCIEVER	S...	1	55.01.0164	4*a	100MA, 24V, DIL-SWITCH (4)
JS...	1	54.01.0021	JUMPER		TP...	1	54.02.0320	1-P	STR., MALE, FLATPIN 2.8*0.8
JS...	2	54.01.0021	JUMPER		TP...	2	54.02.0320	1-P	STR., MALE, FLATPIN 2.8*0.8
MP...	1	1.990.952.11	EMPTY PCB		TP...	3	54.02.0320	1-P	STR., MALE, FLATPIN 2.8*0.8
MP...	2	43.01.0108	ESE STICKER		TP...	4	54.02.0320	1-P	STR., MALE, FLATPIN 2.8*0.8
MP...	3	1.990.952.04	NUMBER ETIQUETTE		XIC...	1	53.03.0167	1-P	DIL14 SOCKET FOR IC1
P...	1	54.99.0360	1-P	STR., MALE, SOLDER PLUG	XIC...	2	53.03.0167	1-P	DIL14 SOCKET FOR IC2
P...	2	54.99.0360	1-P	STR., MALE, SOLDER PLUG	XIC...	3	53.03.0167	1-P	DIL14 SOCKET FOR IC3
P...	3	54.99.0360	1-P	STR., MALE, SOLDER PLUG	XIC...	4	53.03.0167	1-P	DIL14 SOCKET FOR IC4
P...	4	54.99.0360	1-P	STR., MALE, SOLDER PLUG	XIC...	5	53.03.0167	1-P	DIL14 SOCKET FOR IC5
P...	5	54.99.0360	1-P	STR., MALE, SOLDER PLUG	XIC...	6	53.03.0167	1-P	DIL14 SOCKET FOR IC6
P...	6	54.99.0360	1-P	STR., MALE, SOLDER PLUG	XIC...	7	53.03.0167	1-P	DIL14 SOCKET FOR IC7
P...	7	54.99.0360	1-P	STR., MALE, SOLDER PLUG	XIC...	8	53.03.0167	1-P	DIL14 SOCKET FOR IC8
P...	8	54.99.0360	1-P	STR., MALE, SOLDER PLUG	XIC...	9	53.03.0167	1-P	DIL14 SOCKET FOR IC9
P...	9	54.99.0360	1-P	STR., MALE, SOLDER PLUG	XIC...	10	53.03.0218	1-P	DIL48 SOCKET FOR IC10 (48PCS)
P...	10	54.99.0360	1-P	STR., MALE, SOLDER PLUG	XIC...	11	53.03.2244	1-P	PLCC44 SOCKET FOR IC11
P...	11	54.99.0360	1-P	STR., MALE, SOLDER PLUG	XIC...	12	53.03.0168	1-P	DIL16 SOCKET FOR IC12
P...	12	54.99.0360	1-P	STR., MALE, SOLDER PLUG	XIC...	13	53.03.0165	1-P	DIL20 SOCKET FOR IC13
P...	13	54.99.0360	1-P	STR., MALE, SOLDER PLUG	XIC...	14	53.03.0165	1-P	DIL20 SOCKET FOR IC14
P...	14	54.99.0360	1-P	STR., MALE, SOLDER PLUG	XIC...	15	53.03.0165	1-P	DIL20 SOCKET FOR IC15
P...	15	54.99.0360	1-P	STR., MALE, SOLDER PLUG	XIC...	16	53.03.0165	1-P	DIL20 SOCKET FOR IC16
P...	16	54.99.0360	1-P	STR., MALE, SOLDER PLUG					
P...	17	54.99.0360	1-P	STR., MALE, SOLDER PLUG					
P...	18	54.99.0360	1-P	STR., MALE, SOLDER PLUG					
P...	19	1.023.115.02	50-P	RIBBON-CABLE COMPLETE					
P...	20	54.01.0020	1-P	STR., MALE, P-STRIP AU 8MM					
P...	21	54.01.0020	1-P	STR., MALE, P-STRIP AU 8MM					
P...	22	54.01.0020	1-P	STR., MALE, P-STRIP AU 8MM					
P...	23	54.01.0020	1-P	STR., MALE, P-STRIP AU 8MM					
P...	24	54.01.0020	1-P	STR., MALE, P-STRIP AU 8MM					
P...	25	54.01.0020	1-P	STR., MALE, P-STRIP AU 8MM					
P...	26	54.01.0020	1-P	STR., MALE, P-STRIP AU 8MM					
P...	27	54.01.0020	1-P	STR., MALE, P-STRIP AU 8MM					
P...	28	54.01.0020	1-P	STR., MALE, P-STRIP AU 8MM					
P...	29	54.01.0020	1-P	STR., MALE, P-STRIP AU 8MM					
P...	30	54.01.0020	1-P	STR., MALE, P-STRIP AU 8MM					
P...	31	54.01.0020	1-P	STR., MALE, P-STRIP AU 8MM					
P...	32	54.01.0020	1-P	STR., MALE, P-STRIP AU 8MM					
P...	33	54.01.0020	1-P	STR., MALE, P-STRIP AU 8MM					
P...	34	54.01.0020	1-P	STR., MALE, P-STRIP AU 8MM					
P...	35	54.01.0020	1-P	STR., MALE, P-STRIP AU 8MM					
P...	36	54.01.0020	1-P	STR., MALE, P-STRIP AU 8MM					
P...	37	54.01.0020	1-P	STR., MALE, P-STRIP AU 8MM					
P...	38	54.01.0020	1-P	STR., MALE, P-STRIP AU 8MM					
P...	39	54.01.0020	1-P	STR., MALE, P-STRIP AU 8MM					
P...	40	54.01.0020	1-P	STR., MALE, P-STRIP AU 8MM					
P...	41	54.01.0020	1-P	STR., MALE, P-STRIP AU 8MM					
P...	42	54.01.0020	1-P	STR., MALE, P-STRIP AU 8MM					
P...	43	54.01.0020	1-P	STR., MALE, P-STRIP AU 8MM					
P...	44	54.01.0020	1-P	STR., MALE, P-STRIP AU 8MM					
P...	45	54.01.0020	1-P	STR., MALE, P-STRIP AU 8MM					
P...	46	54.01.0020	1-P	STR., MALE, P-STRIP AU 8MM					
P...	47	54.01.0020	1-P	STR., MALE, P-STRIP AU 8MM					
P...	48	54.01.0020	1-P	STR., MALE, P-STRIP AU 8MM					
P...	49	54.01.0020	1-P	STR., MALE, P-STRIP AU 8MM					
P...	50	54.01.0020	1-P	STR., MALE, P-STRIP AU 8MM					
P...	51	54.01.0020	1-P	STR., MALE, P-STRIP AU 8MM					
P...	52	54.99.0360	1-P	STR., MALE, SOLDER PLUG					
P...	53	54.99.0360	1-P	STR., MALE, SOLDER PLUG					
P...	54	54.99.0360	1-P	STR., MALE, SOLDER PLUG					
P...	55	54.99.0360	1-P	STR., MALE, SOLDER PLUG					
P...	56	54.99.0360	1-P	STR., MALE, SOLDER PLUG					
P...	57	54.99.0360	1-P	STR., MALE, SOLDER PLUG					
P...	58	54.99.0360	1-P	STR., MALE, SOLDER PLUG					
P...	59	54.99.0360	1-P	STR., MALE, SOLDER PLUG					
P...	60	54.99.0360	1-P	STR., MALE, SOLDER PLUG					
P...	61	54.99.0360	1-P	STR., MALE, SOLDER PLUG					
P...	62	54.99.0360	1-P	STR., MALE, SOLDER PLUG					
P...	63	54.99.0360	1-P	STR., MALE, SOLDER PLUG					
P...	64	54.99.0360	1-P	STR., MALE, SOLDER PLUG					
P...	65	54.99.0360	1-P	STR., MALE, SOLDER PLUG					
P...	66	54.99.0360	1-P	STR., MALE, SOLDER PLUG					
P...	67	54.99.0360	1-P	STR., MALE, SOLDER PLUG					
P...	68	54.99.0360	1-P	STR., MALE, SOLDER PLUG					
P...	69	54.99.0360	1-P	STR., MALE, SOLDER PLUG					
P...	70	54.99.0360	1-P	STR., MALE, SOLDER PLUG					

DISPLAY BOARD

1.990.953.00

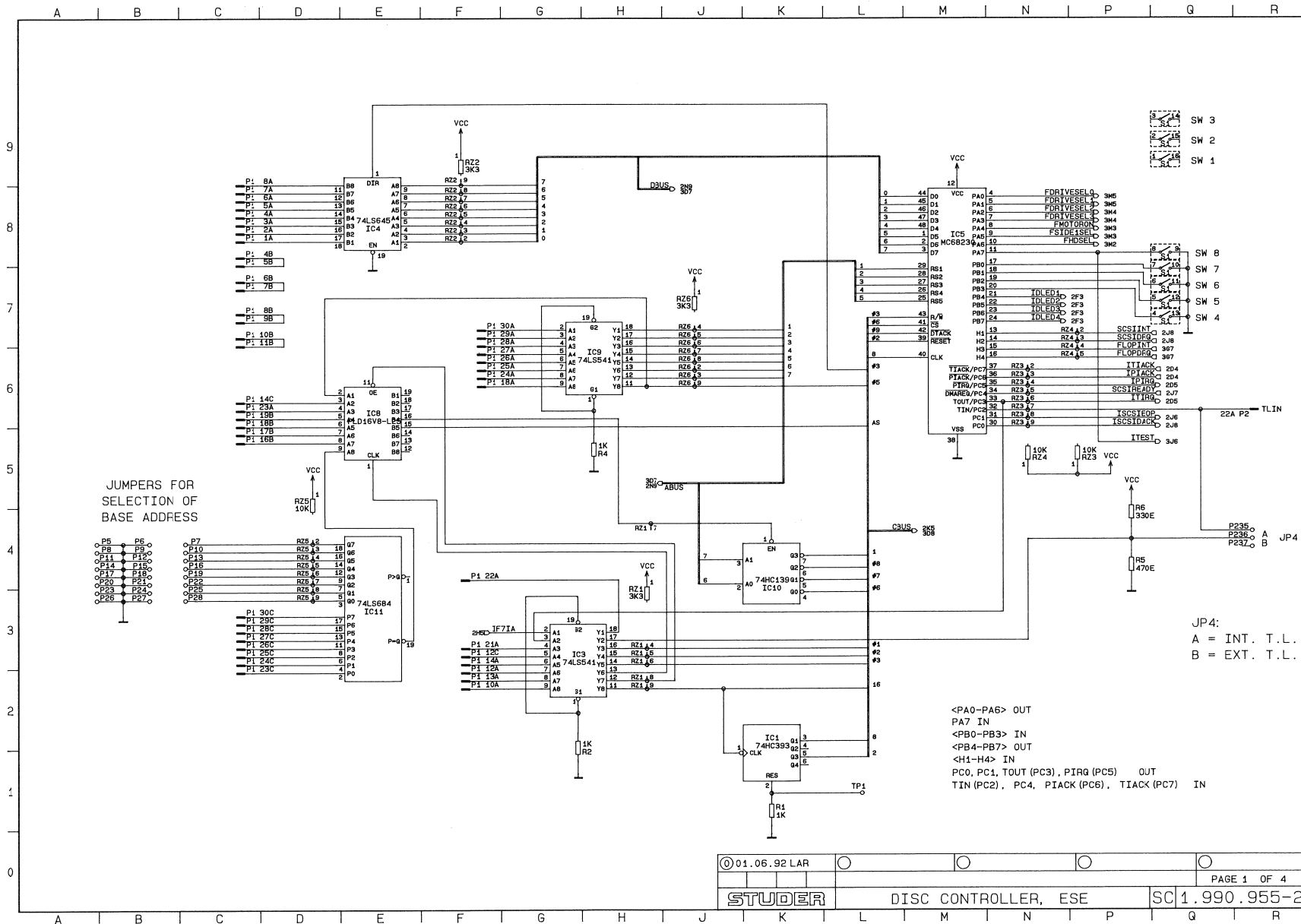


Ad	..POS..	..REF.No...	DESCRIPTION.....	MANUFACTURER
DL....1	73.01.0127		4-DIG 17-SEG, LED	
MP....1	1.990.953.11		Empty PCB	
MP....2	1.990.953.04		NR.-ETIKETTE 5 * 20	
P.....1	54.11.0130	2-P	ANG., MALE, P-STRIP AU	
P.....2	54.11.0130	2-P	ANG., MALE, P-STRIP AU	
P.....3	54.11.0130	2-P	ANG., MALE, P-STRIP AU	
P.....4	54.11.0130	2-P	ANG., MALE, P-STRIP AU	
P.....5	54.11.0130	2-P	ANG., MALE, P-STRIP AU	
P.....6	54.11.0130	2-P	ANG., MALE, P-STRIP AU	
			1.990.953-00 DISPLAY BOARD	MEL92/04/0700

© 07-04-92 PG				
990/2 MIXING CONSOLE			PAGE 1 OF 1	
STUDER	DISPLAY BOARD		SC	1.990.953.00

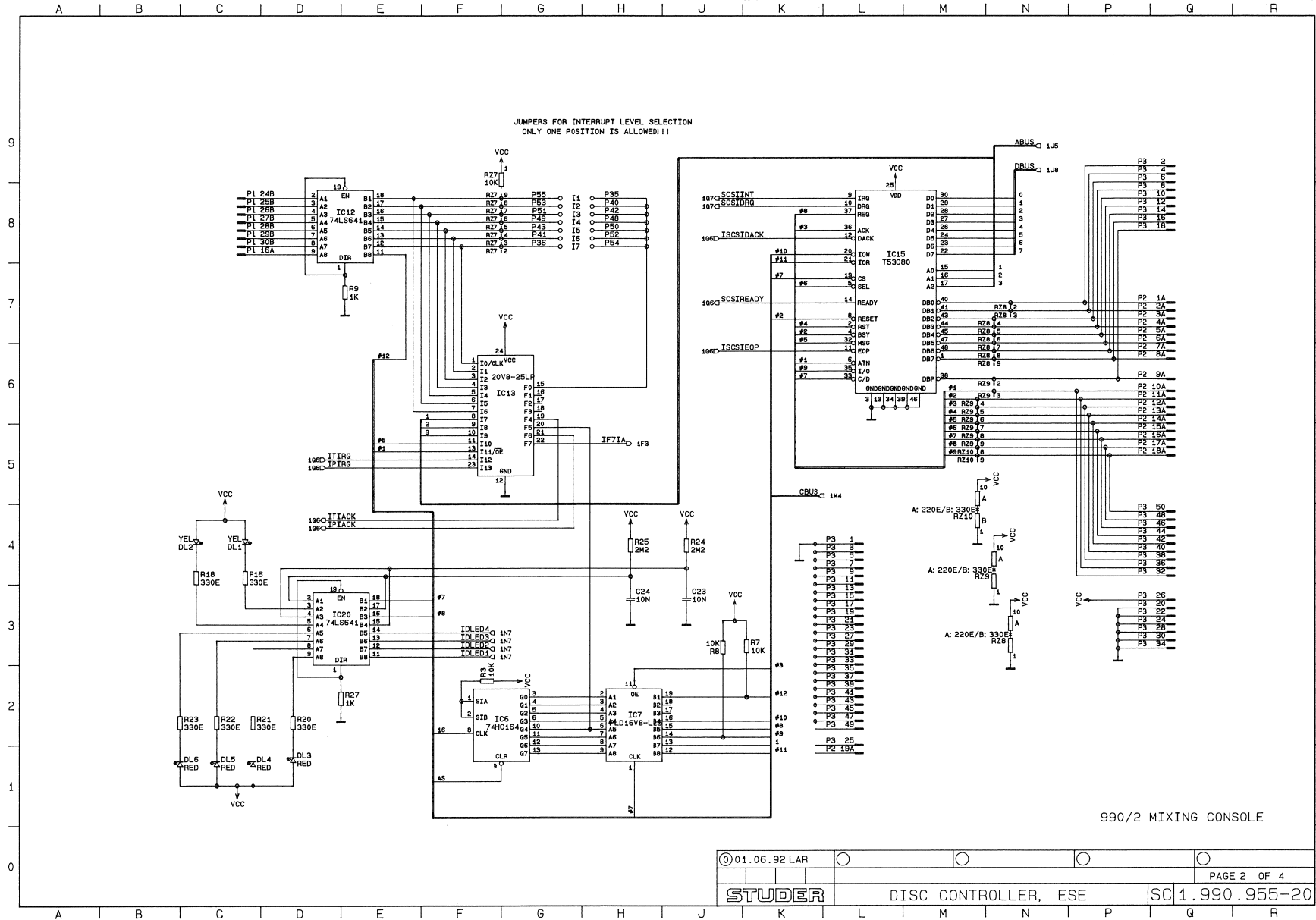
DISC CONTROLLER

1.990.955.20



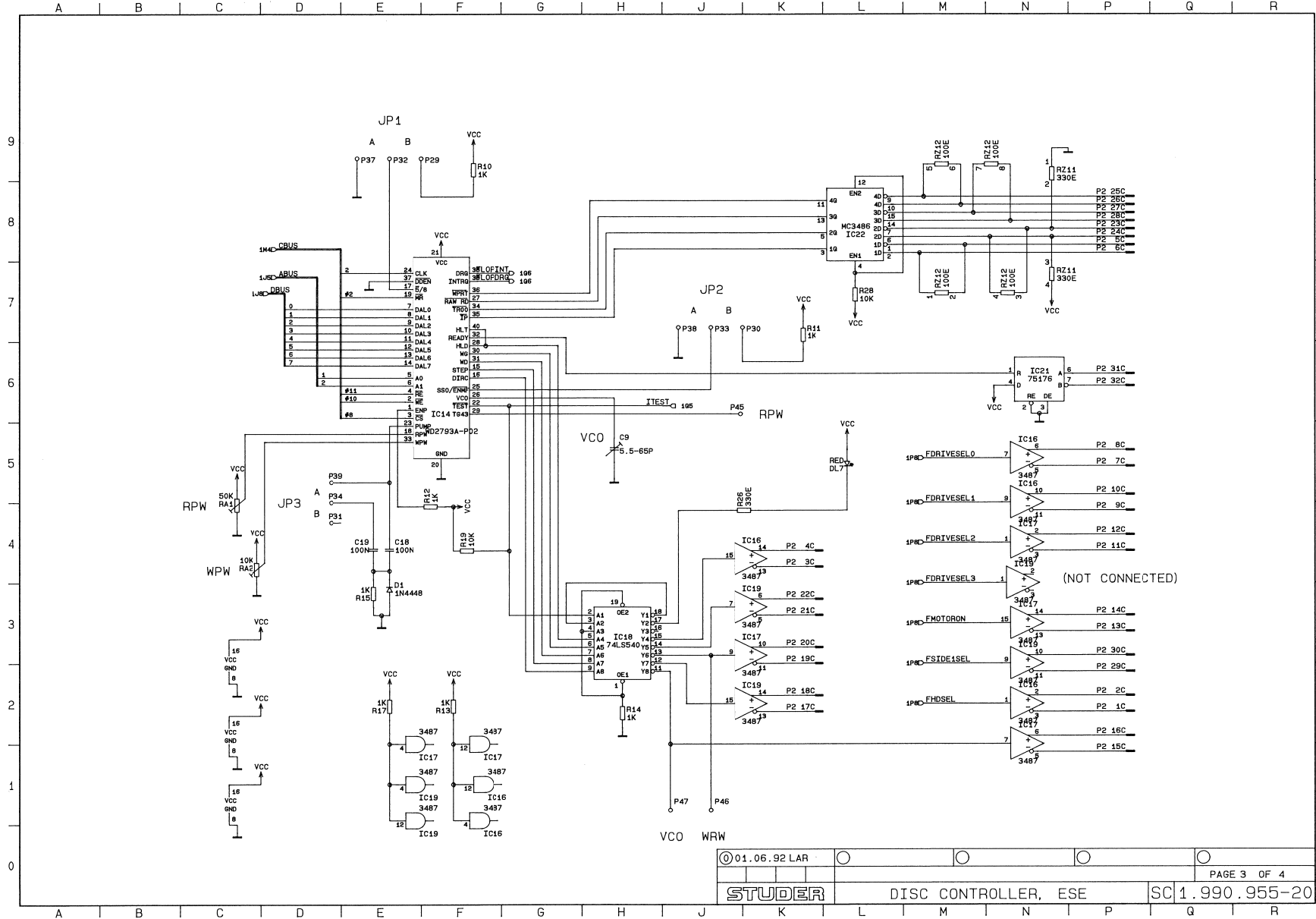
DISC CONTROLLER

1.990.955.20



DISC CONTROLLER

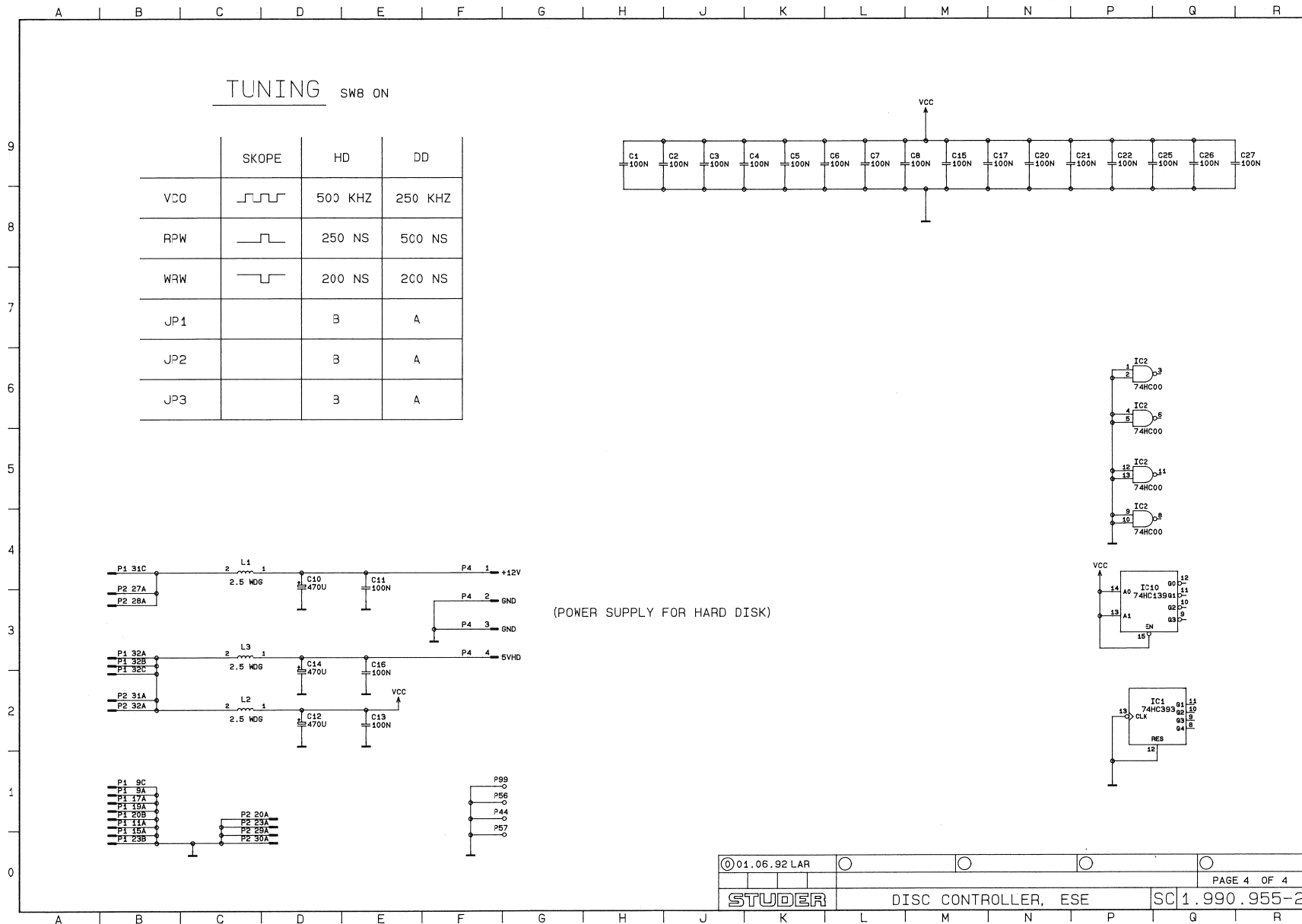
1.990.955.20



DISC CONTROLLER

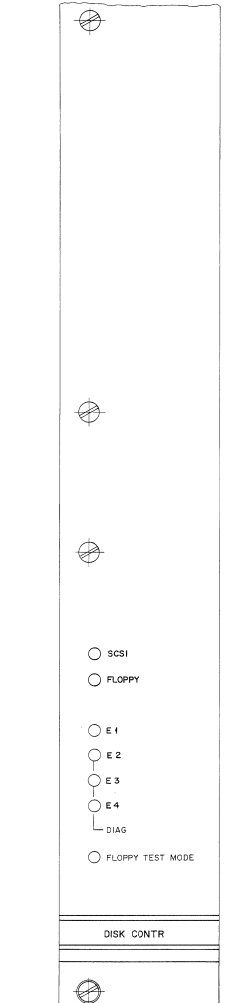
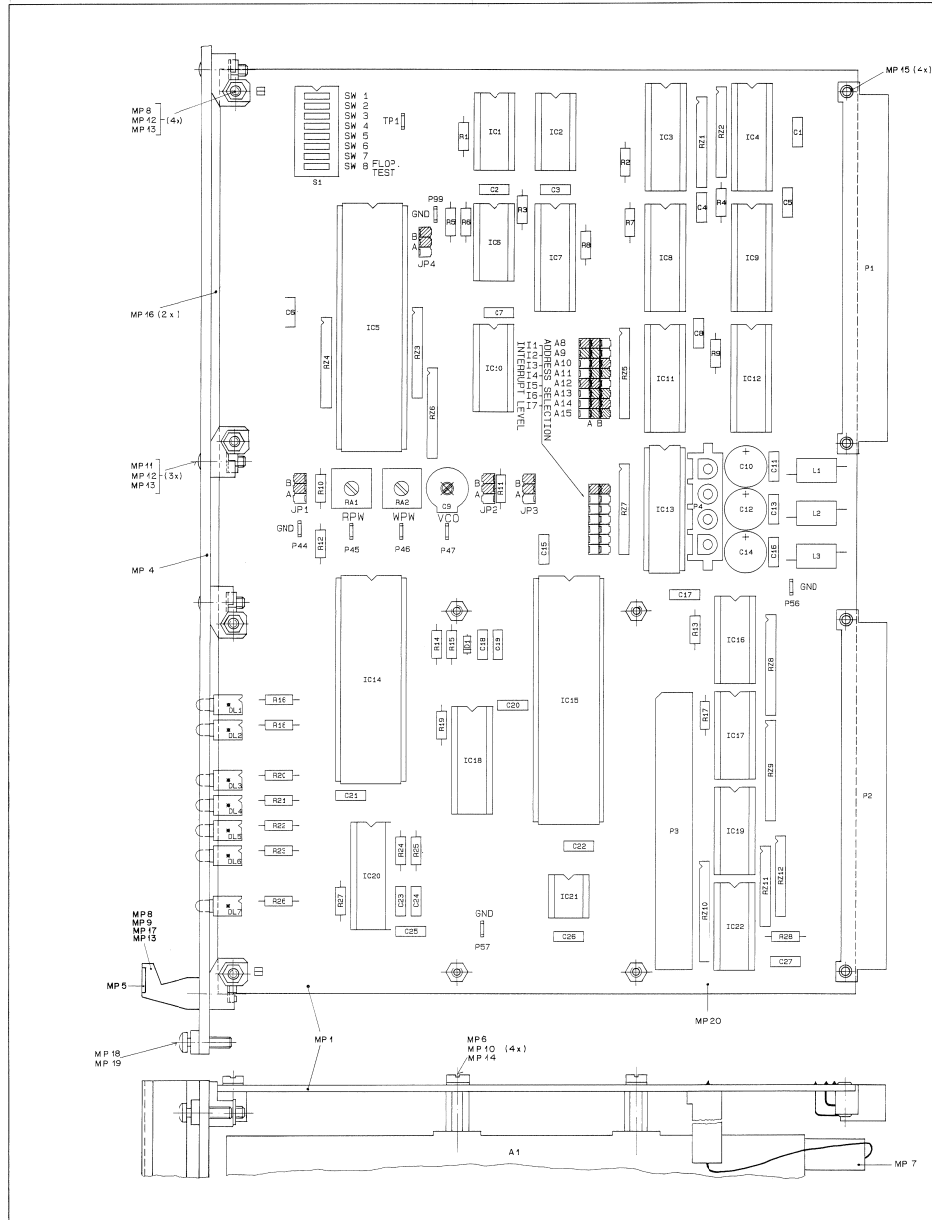


1.990.955.20



DISC CONTF

1.990.955.20



STUDER
FROHBERG
LEIBNIZ

DISC CONTROLLER
MK II
ESE

1.990.955-20

Ad	POS	REF.No	DESCRIPTION	MANUFACTURER
A1	89.20.0011	HARD DISK DRIVE 120 MB 3.5"	
C1	59.06.0104	100n 10 %	63V
C2	59.06.0104	100n 10 %	63V
C3	59.06.0104	100n 10 %	63V
C4	59.06.0104	100n 10 %	63V
C5	59.06.0104	100n 10 %	63V
C6	59.06.0104	100n 10 %	63V
C7	59.06.0104	100n 10 %	63V
C8	59.06.0104	100n 10 %	63V
C9	59.18.0102	5.5-65p C-TRIM	63V
C10	59.22.4471	470u -20/+50 %	16V
C11	59.06.0104	100n 10 %	63V
C12	59.22.4471	470u -20/+50 %	16V
C13	59.06.0104	100n 10 %	63V
C14	59.22.4471	470u -20/+50 %	16V
C15	59.06.0104	100n 10 %	63V
C16	59.06.0104	100n 10 %	63V
C17	59.06.0104	100n 10 %	63V
C18	59.06.0104	100n 10 %	63V
C19	59.06.0104	100n 10 %	63V
C20	59.06.0104	100n 10 %	63V
C21	59.06.0104	100n 10 %	63V
C22	59.06.0104	100n 10 %	63V
C23	59.06.0103	10n 10 %	63V
C24	59.06.0103	10n 10 %	63V
C25	59.06.0104	100n 10 %	63V
C26	59.06.0104	100n 10 %	63V
C27	59.06.0104	100n 10 %	63V
D1	50.04.0125	1N4448 DO35,RECTIFIER	
DL1	50.04.2752	YEL. 10MA	
DL2	50.04.2752	YEL. 10MA	
DL3	50.04.2750	RED. 10MA	
DL4	50.04.2750	RED. 10MA	
DL5	50.04.2750	RED. 10MA	
DL6	50.04.2750	RED. 10MA	
DL7	50.04.2750	RED. 10MA	
IC1	50.17.1393	74HC393 DIP14, DUAL BINARY COUNTER	
IC2	50.17.1000	74HC00 DIP14, QUAD 2-INPUT NAND GATE	
IC3	50.06.0541	74LS541 DIP20, OCTAL BUS TRANSCEIVER	
IC4	50.06.0645	74LS645 DIP20, OCTAL BUS TRANSCEIVER	
IC5	50.16.0150	MC69230-98 DIP40, PARALLEL 17-TIMER	
IC6	50.17.1164	74HC164 DIP14, 8BIT SI/PO SHIFT REGISTER	
IC7	50.18.0100	PLD16V8 DIP20, PROG. LOGIC DEVICE 8 IMP.	
IC8	50.18.0100	PLD16V8 DIP20, PROG. LOGIC DEVICE 8 IMP.	
IC9	50.06.0541	74LS541 DIP20, OCTAL BUS BUFFER	
IC10	50.17.1139	74HC139 DIP16, DUAL 2 TO 4 LINE DECODER	
IC11	50.06.0684	74LS684 DIP20, 8BIT MAGNITUDE COMPARATOR	
IC12	50.06.1641	74LS641 DIP20, OCTAL BUS TRANSCEIVER	
IC13	50.18.0101	20V8-25LP DIP24, GAL 12-IMP. 8-MACROCELLS	
IC14	50.16.0126	WD7931A-R02 DIP40, DIPAD FLOPPY CONTROLLER	
IC15	50.16.0700	TS3C80 DIP48, SCSI BUS CONTR. 15MBPS	
IC16	50.15.0105	3487 DIP16, QUAD LINE DRIVER RS422	
IC17	50.15.0105	3487 DIP16, QUAD LINE DRIVER RS422	
IC18	50.06.0540	74LS540 DIP20, OCTAL BUFFER INV	
IC19	50.15.0105	3487 DIP16, QUAD LINE DRIVER RS422	
IC20	50.06.1641	74LS641 DIP20, OCTAL BUS TRANSCEIVER	
IC21	50.15.0115	75176 DIP06, DIFF. BUS TRANSCEIVER	
IC22	50.15.0104	MC3486 DIP16, QUAD LINE REC. RS422/423	
JP1	54.01.0021	JUMPER	
JP2	54.01.0021	JUMPER	
JP3	54.01.0021	JUMPER	
JP4	54.01.0021	JUMPER	
JP5	54.01.0021	JUMPER	
JP6	54.01.0021	JUMPER	
JP7	54.01.0021	JUMPER	
JP8	54.01.0021	JUMPER	
JP9	54.01.0021	JUMPER	
JP10	54.01.0021	JUMPER	
JP11	54.01.0021	JUMPER	
JP12	54.01.0021	JUMPER	
JP13	54.01.0021	JUMPER	
L1	82.01.0115	2.5MD WIDEBAND CHOKE	
L2	82.01.0115	2.5MD WIDEBAND CHOKE	
L3	82.01.0115	2.5MD WIDEBAND CHOKE	
MP1	1.990.955.11	1 pcs DISK CONTROLLER PCB	
MP2	43.01.0108	1 pcs ESE-WARNSCHILD	
MP3	1.990.955.04	0 pcs STUDER-NR.-ETIKETTE 10 * 20	
MP4	1.990.955.01	1 pcs FRONTPLATTE DISK CONTR. MK2	
MP5	1.990.955.02	1 pcs GRIFFFEINLAGE DISK CONTROLLER	
MP6	1.990.955.03	4 pcs GEWINDEBOLZEN	
MP7	1.990.955.93	1 pcs LITZENLISTE DISK CONTROLLER	
MP8	21.01.0260	5 pcs Z - SCHR. NI, N2.5 * 8	
MP9	21.01.0261	1 pcs Z - SCHR. NI, N2.5 * 10	
MP10	21.01.0354	4 pcs Z - SCHR. NI, N 3 * 6	
MP11	21.02.3281	3 pcs LS - SCHR. NI, N2.5 * 10	
MP12	22.01.8025	7 pcs 6KT-MUTTER 0.8 D, M 2.5	
MP13	24.16.1025	8 pcs RIPPENSCHNEIBE D 2.7 / 5	
MP14	24.16.1030	4 pcs RIPPENSCHNEIBE D 3.2 / 5.5	
MP15	28.99.0119	4 pcs ROHRNIELE D 2.5 * 0.15 * 9	
MP16	49.02.0004	2 pcs LEITERPLATTENHALTER	
MP17	49.02.0007	1 pcs FRONTLATTENGRIFFF. L439.2 MM	
MP18	49.02.0321	2 pcs LZ-SCHR. M 3 * 11.3	
MP19	49.02.0322	2 pcs GEWINDE-BUCHSE M 3	
MP20	23.01.1027	4 pcs U-SCHNEIBE D 2.7 / 5 * 0.5	



DISC CONTROLLER

1.990.955.20

Ad	..POS..	..REF.No..	DESCRIPTION.....	MANUFACTURER	Ad	..POS..	..REF.No..	DESCRIPTION.....	MANUFACTURER
P.....1		54.01.0358	96-P ANG.,	MALE, P-EU-C 3*32P	RZ....6		57.88.4332	3k3 2 1/2%, 0.125W,	SIPO9, 8 * 3K3
P.....2		54.01.0358	96-P ANG.,	MALE, P-EU-C 3*32P	RZ....7		57.88.4103	10k 2 1/2%, 0.125W,	SIPO9, 8 * 10K
P.....3		1.023.115.01	50-P RIBBON-CABLE COMPLETE		RZ....8		57.80.4005	220/330E 2 1/2%, 0.10W,	SIPI0,COMMON VCC
P.....4		54.25.0004	4-P 16A FEM.,	J-AMP, VERTICAL	RZ....9		57.80.4005	220/330E 2 1/2%, 0.10W,	SIPI0,COMMON VCC
P.....5		54.01.0020	1-P STR.,	MALE, P-STRIP AU 8MM	RZ....10		57.80.4005	220/330E 2 1/2%, 0.10W,	SIPI0,COMMON VCC
P.....6		54.01.0020	1-P STR.,	MALE, P-STRIP AU 8MM					
P.....7		54.01.0020	1-P STR.,	MALE, P-STRIP AU 8MM	RZ...11		57.88.2331	330E 2 1/2%, 0.125W,	SIPO8, 4 * 330E
P.....8		54.01.0020	1-P STR.,	MALE, P-STRIP AU 8MM	RZ...12		57.88.2101	100E 2 1/2% SIPO8,	0.125W
P.....9		54.01.0020	1-P STR.,	MALE, P-STRIP AU 8MM					
P.....10		54.01.0020	1-P STR.,	MALE, P-STRIP AU 8MM	S....1		55.01.0168	8*a 100MA, 24V, DIL-SWITCH (8)	
P.....11		54.01.0020	1-P STR.,	MALE, P-STRIP AU 8MM	TP...1		54.02.0320	1-P STR., MALE, FLATPIN 2.8*0.8	
P.....12		54.01.0020	1-P STR.,	MALE, P-STRIP AU 8MM	XIC...1		53.03.0167	DIL14 SOCKET FOR IC1	
P.....13		54.01.0020	1-P STR.,	MALE, P-STRIP AU 8MM	XIC...2		53.03.0167	DIL14 SOCKET FOR IC2	
P.....14		54.01.0020	1-P STR.,	MALE, P-STRIP AU 8MM	XIC...3		53.03.0165	DIL20 SOCKET FOR IC3	
P.....15		54.01.0020	1-P STR.,	MALE, P-STRIP AU 8MM	XIC...4		53.03.0165	DIL20 SOCKET FOR IC4	
P.....16		54.01.0020	1-P STR.,	MALE, P-STRIP AU 8MM	XIC...5		53.03.0218	DIL48 SOCKET FOR IC5	*** 48PCS ***
P.....17		54.01.0020	1-P STR.,	MALE, P-STRIP AU 8MM	XIC...6		53.03.0167	DIL14 SOCKET FOR IC6	
P.....18		54.01.0020	1-P STR.,	MALE, P-STRIP AU 8MM	XIC...7		53.03.0165	DIL20 SOCKET FOR IC7	
P.....19		54.01.0020	1-P STR.,	MALE, P-STRIP AU 8MM	XIC...8		53.03.0165	DIL20 SOCKET FOR IC8	
P.....20		54.01.0020	1-P STR.,	MALE, P-STRIP AU 8MM	XIC...9		53.03.0165	DIL20 SOCKET FOR IC9	
P....21		54.01.0020	1-P STR.,	MALE, P-STRIP AU 8MM	XIC...10		53.03.0168	DIL16 SOCKET FOR IC10	
P....22		54.01.0020	1-P STR.,	MALE, P-STRIP AU 8MM	XIC...11		53.03.0165	DIL20 SOCKET FOR IC11	
P....23		54.01.0020	1-P STR.,	MALE, P-STRIP AU 8MM	XIC...12		53.03.0165	DIL20 SOCKET FOR IC12	
P....24		54.01.0020	1-P STR.,	MALE, P-STRIP AU 8MM	XIC...13		53.03.0182	DIL24 SOCKET FOR IC13	
P....25		54.01.0020	1-P STR.,	MALE, P-STRIP AU 8MM	XIC...14		53.03.0172	DIL40 SOCKET FOR IC14	
P....26		54.01.0020	1-P STR.,	MALE, P-STRIP AU 8MM	XIC...15		53.03.0218	DIL48 SOCKET FOR IC15	*** 48PCS ***
P....27		54.01.0020	1-P STR.,	MALE, P-STRIP AU 8MM	XIC...16		53.03.0168	DIL16 SOCKET FOR IC16	
P....28		54.01.0020	1-P STR.,	MALE, P-STRIP AU 8MM	XIC...17		53.03.0168	DIL16 SOCKET FOR IC17	
P....29		54.01.0020	1-P STR.,	MALE, P-STRIP AU 8MM	XIC...18		53.03.0165	DIL20 SOCKET FOR IC18	
P....30		54.01.0020	1-P STR.,	MALE, P-STRIP AU 8MM	XIC...19		53.03.0168	DIL16 SOCKET FOR IC19	
P....31		54.01.0020	1-P STR.,	MALE, P-STRIP AU 8MM	XIC...20		53.03.0165	DIL20 SOCKET FOR IC20	
P....32		54.01.0020	1-P STR.,	MALE, P-STRIP AU 8MM	XIC...21		53.03.0166	DIL08 SOCKET FOR IC21	
P....33		54.01.0020	1-P STR.,	MALE, P-STRIP AU 8MM	XIC...22		53.03.0168	DIL16 SOCKET FOR IC22	
P....34		54.01.0020	1-P STR.,	MALE, P-STRIP AU 8MM					
P....35		54.01.0020	1-P STR.,	MALE, P-STRIP AU 8MM	XRZ...8		53.03.0218	DIL10 SOCKET FOR RZ8	*** 10PCS ***
P....36		54.01.0020	1-P STR.,	MALE, P-STRIP AU 8MM	XRZ...9		53.03.0218	DIL10 SOCKET FOR RZ9	*** 10PCS ***
P....37		54.01.0020	1-P STR.,	MALE, P-STRIP AU 8MM	XRZ...10		53.03.0218	DIL10 SOCKET FOR RZ10	*** 10PCS ***
P....38		54.01.0020	1-P STR.,	MALE, P-STRIP AU 8MM					
P....39		54.01.0020	1-P STR.,	MALE, P-STRIP AU 8MM					
P....40		54.01.0020	1-P STR.,	MALE, P-STRIP AU 8MM					
P....41		54.01.0020	1-P STR.,	MALE, P-STRIP AU 8MM					
P....42		54.01.0020	1-P STR.,	MALE, P-STRIP AU 8MM					
P....43		54.01.0020	1-P STR.,	MALE, P-STRIP AU 8MM					
P....44		54.02.0320	1-P STR.,	MALE, FLATPIN 2.8*0.8					
P....45		54.02.0320	1-P STR.,	MALE, FLATPIN 2.8*0.8					
P....46		54.02.0320	1-P STR.,	MALE, FLATPIN 2.8*0.8					
P....47		54.02.0320	1-P STR.,	MALE, FLATPIN 2.8*0.8					
P....48		54.01.0020	1-P STR.,	MALE, P-STRIP AU 8MM					
P....49		54.01.0020	1-P STR.,	MALE, P-STRIP AU 8MM					
P....50		54.01.0020	1-P STR.,	MALE, P-STRIP AU 8MM					
P....51		54.01.0020	1-P STR.,	MALE, P-STRIP AU 8MM					
P....52		54.01.0020	1-P STR.,	MALE, P-STRIP AU 8MM					
P....53		54.01.0020	1-P STR.,	MALE, P-STRIP AU 8MM					
P....54		54.01.0020	1-P STR.,	MALE, P-STRIP AU 8MM					
P....55		54.01.0020	1-P STR.,	MALE, P-STRIP AU 8MM					
P....56		54.02.0320	1-P STR.,	MALE, FLATPIN 2.8*0.8					
P....57		54.02.0320	1-P STR.,	MALE, FLATPIN 2.8*0.8					
P....99		54.02.0320	1-P STR.,	MALE, FLATPIN 2.8*0.8					
P...235		54.01.0020	1-P STR.,	MALE, P-STRIP AU 8MM					
P...236		54.01.0020	1-P STR.,	MALE, P-STRIP AU 8MM					
P...237		54.01.0020	1-P STR.,	MALE, P-STRIP AU 8MM					
R....1		57.11.3102	1k 1 1/2%,	0.6W, MF					
R....2		57.11.3102	1k 1 1/2%,	0.6W, MF					
R....3		57.11.3103	10k 1 1/2%,	0.6W, MF					
R....4		57.11.3102	1k 1 1/2%,	0.6W, MF					
R....5		57.11.3471	470E 1 1/2%,	0.6W, MF					
R....6		57.11.3331	330E 1 1/2%,	0.6W, MF					
R....7		57.11.3103	10k 1 1/2%,	0.6W, MF					
R....8		57.11.3103	10k 1 1/2%,	0.6W, MF					
R....9		57.11.3102	1k 1 1/2%,	0.6W, MF					
R....10		57.11.3102	1k 1 1/2%,	0.6W, MF					
R....11		57.11.3102	1k 1 1/2%,	0.6W, MF					
R....12		57.11.3102	1k 1 1/2%,	0.6W, MF					
R....13		57.11.3102	1k 1 1/2%,	0.6W, MF					
R....14		57.11.3102	1k 1 1/2%,	0.6W, MF					
R....15		57.11.3102	1k 1 1/2%,	0.6W, MF					
R....16		57.11.3331	330E 1 1/2%,	0.6W, MF					
R....17		57.11.3102	1k 1 1/2%,	0.6W, MF					
R....18		57.11.3331	330E 1 1/2%,	0.6W, MF					
R....19		57.11.3103	10k 1 1/2%,	0.6W, MF					
R....20		57.11.3331	330E 1 1/2%,	0.6W, MF					
R....21		57.11.3331	330E 1 1/2%,	0.6W, MF					
R....22		57.11.3331	330E 1 1/2%,	0.6W, MF					
R....23		57.11.3331	330E 1 1/2%,	0.6W, MF					
R....24		57.11.5225	2M2 5 1/2%,	0.4W, MF					
R....25		57.11.5225	2M2 5 1/2%,	0.4W, MF					
R....26		57.11.3331	330E 1 1/2%,	0.6W, MF					
R....27		57.11.3102	1k 1 1/2%,	0.6W, MF					
R....28		57.11.3103	10k 1 1/2%,	0.6W, MF					
RA....1		58.01.8503	50k 10 1/2%,	0.5W, HOR. PGM					
RA....2		58.01.8103	10k 10 1/2%,	0.5W, HOR. PGM					
RZ....1		57.88.4332	3k3 2 1/2%,	0.125W, SIPO9, 8 * 3K3					
RZ....2		57.88.4332	3k3 2 1/2%,	0.125W, SIPO9, 8 * 3K3					
RZ....3		57.88.4103	10k 2 1/2%,	0.125W, SIPO9, 8 * 10K					
RZ....4		57.88.4103	10k 2 1/2%,	0.125W, SIPO9, 8 * 10K					
RZ....5		57.88.4103	10k 2 1/2%,	0.125W, SIPO9, 8 * 10K					

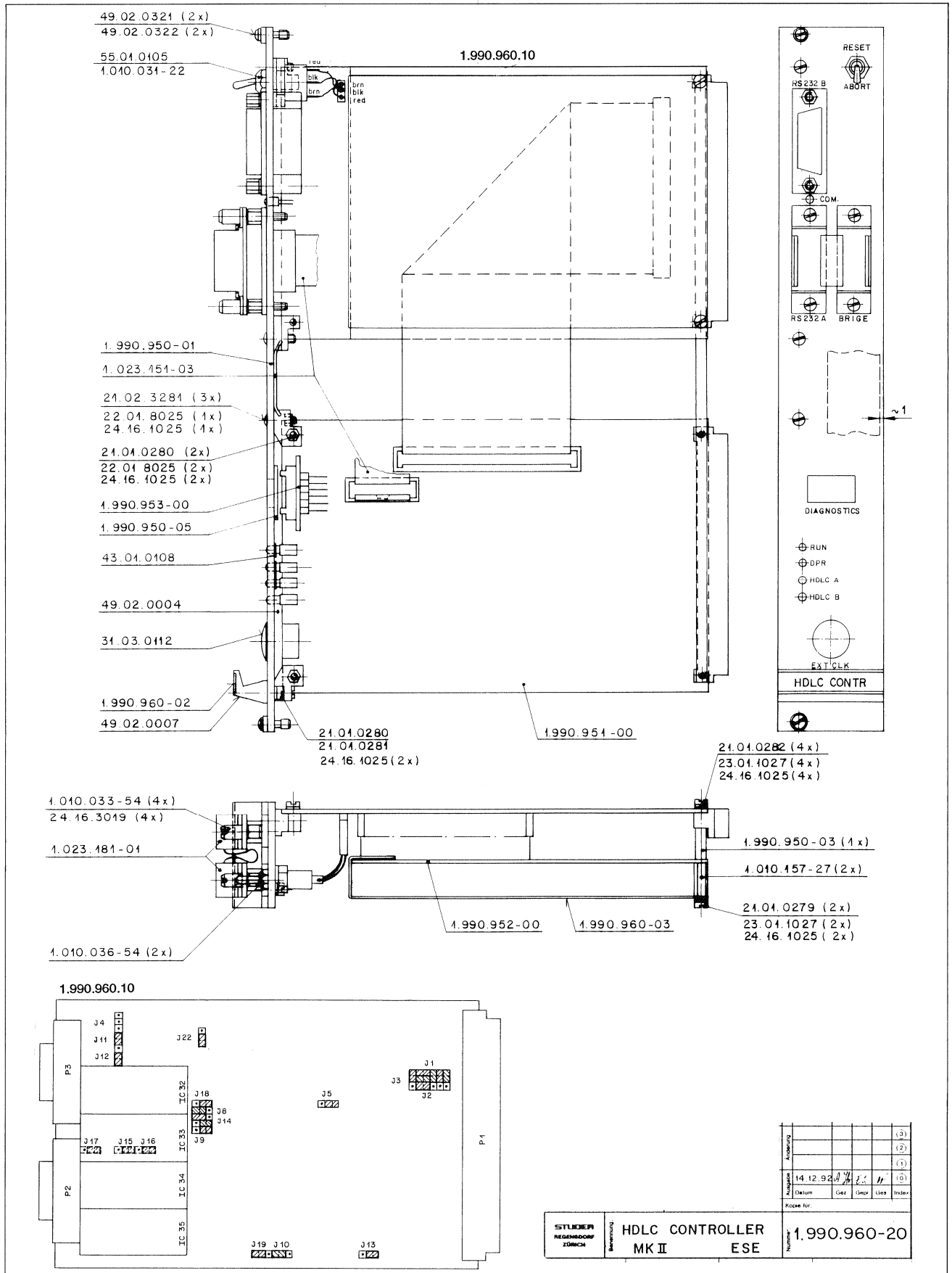
SOFTWARE: 1.990.990.20 (IC7)
1.990.991.20 (IC8)
1.990.992.20 (IC13)

1.990.955-20 DISC CONTROLLER MEL92/06/0100

HDLC CONTROLLER MKII

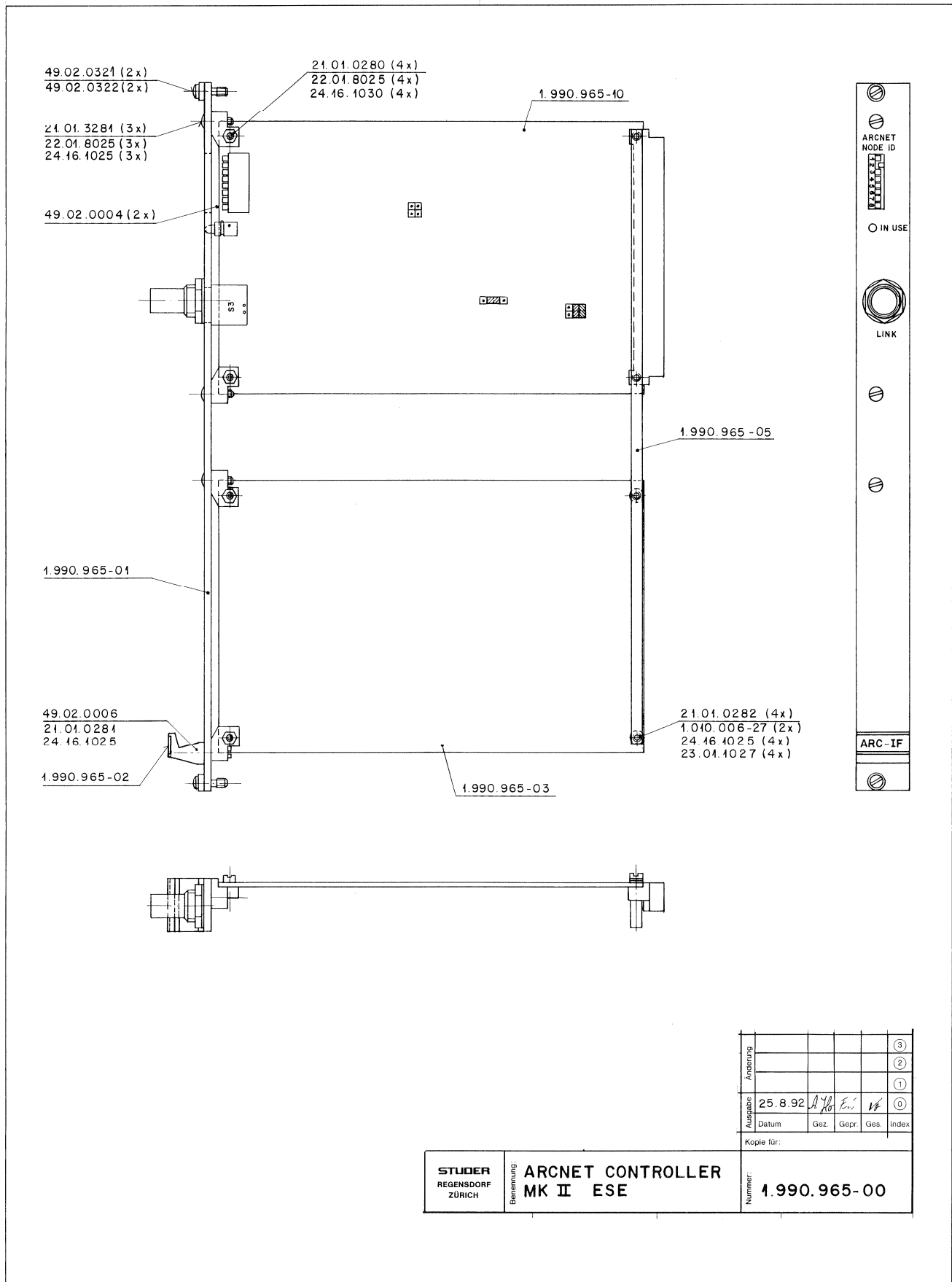


1.990.960.20



ARCNET CONTROLLER MKII

1.990.965.00

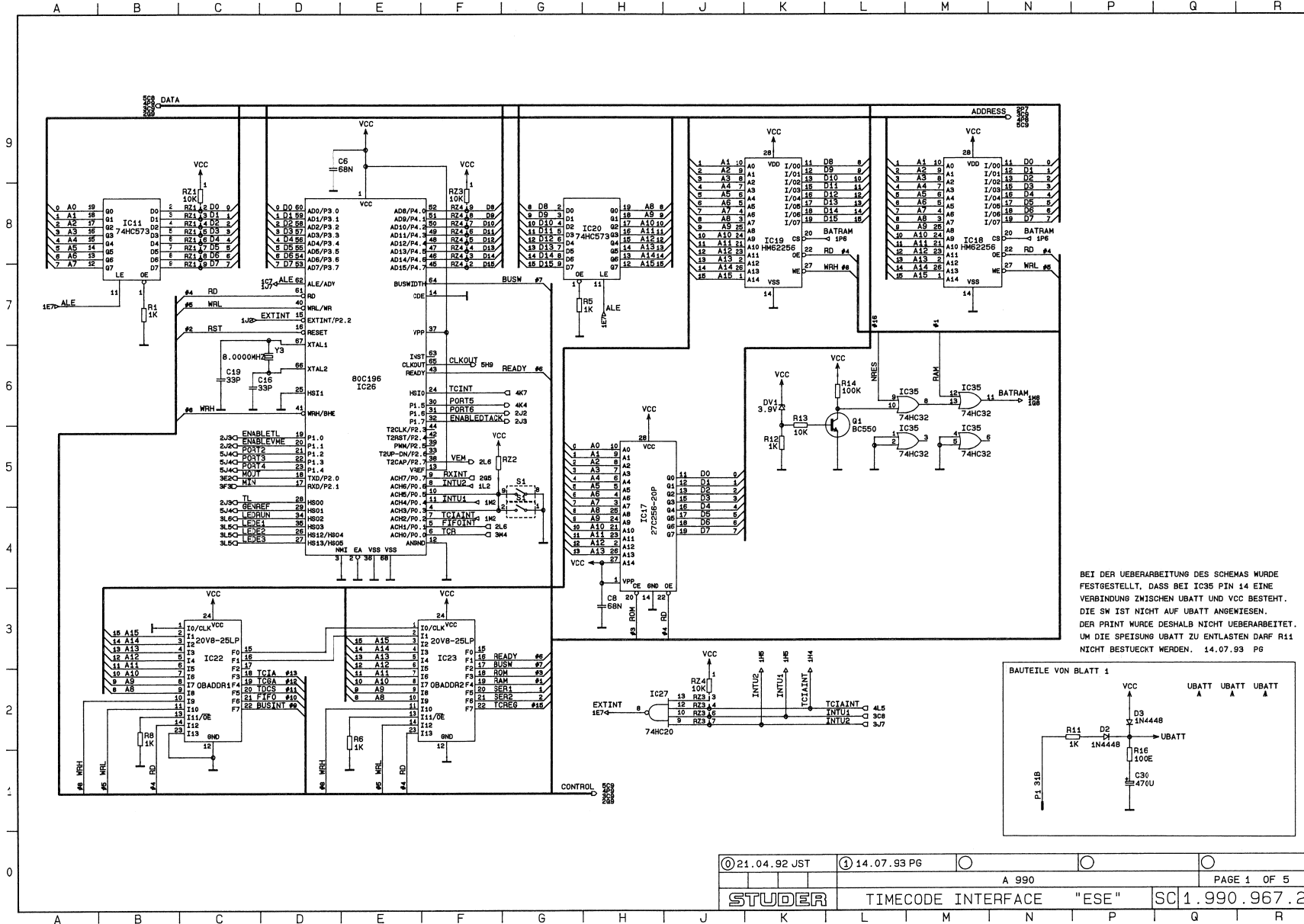


STUDER REGENSDORF ZÜRICH	Benennung: ARCNET CONTROLLER MK II ESE	Kopie für:			
		Nummer: 1.990.965-00			

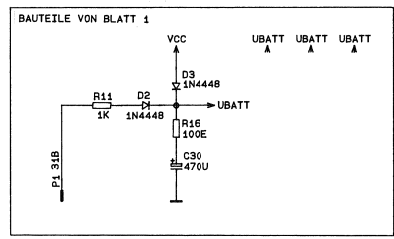
Ausgabe Datum	25.8.92	Gez.	Gepr.	Ges.	Index	③
						②
						①
						④

TIME CODE INTERFACE

1.990.967.20

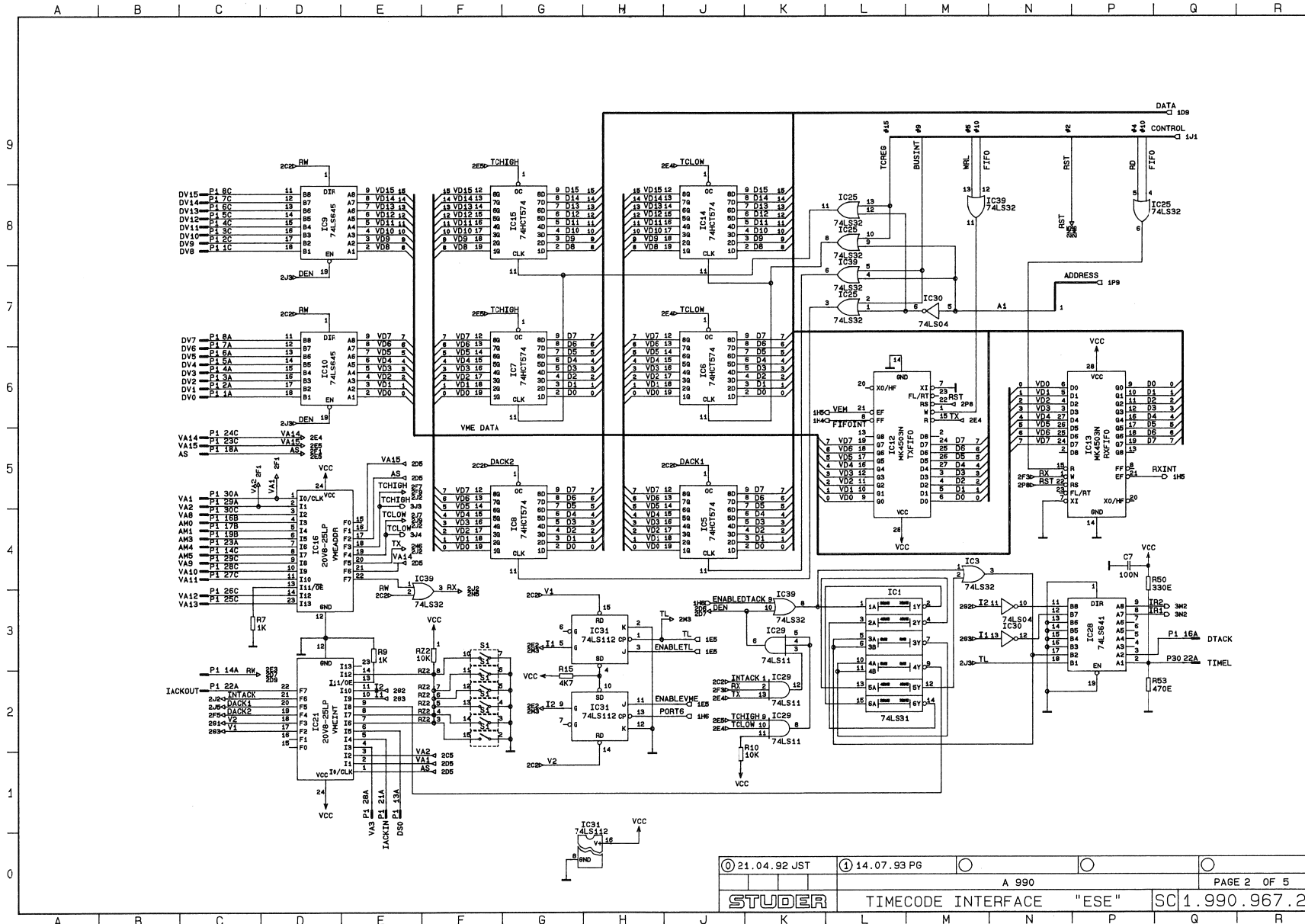


BEI DER UEBERARBEITUNG DES SCHEMAS WURDE FESTGESTELLT, DASS BEI IC35 PIN 14 EINE VERBINDUNG ZWISCHEN UBATT UND VCC BESTeht. DIE SW IST NICHT AUF UBATT ANGEWIESEN. DER PRINT WURDE DESHALB NICHT UEBERARBEITET. UM DIE SPEISUNG UBATT ZU ENTLASTEN DARF R11 NICHT BESTUECKT WERDEN. 14.07.93 PG



TIME CODE INTERFACE

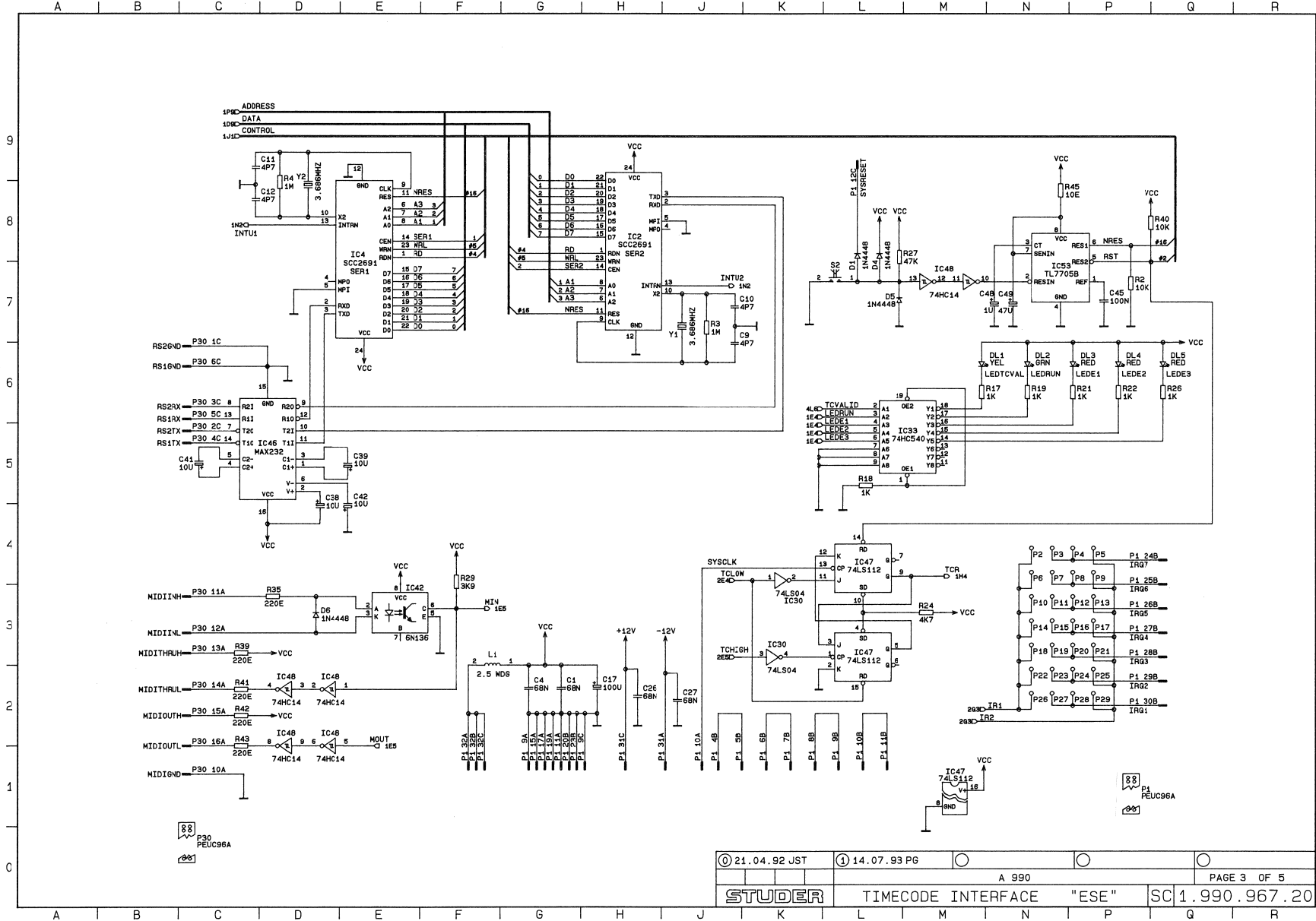
1.990.967.20



© 21.04.92 JST	① 14.07.93 PG	A 990	PAGE 2 OF 5
STUDER		TIMECODE INTERFACE	"ESE" SC1.990.967.20

TIME CODE INTERFACE

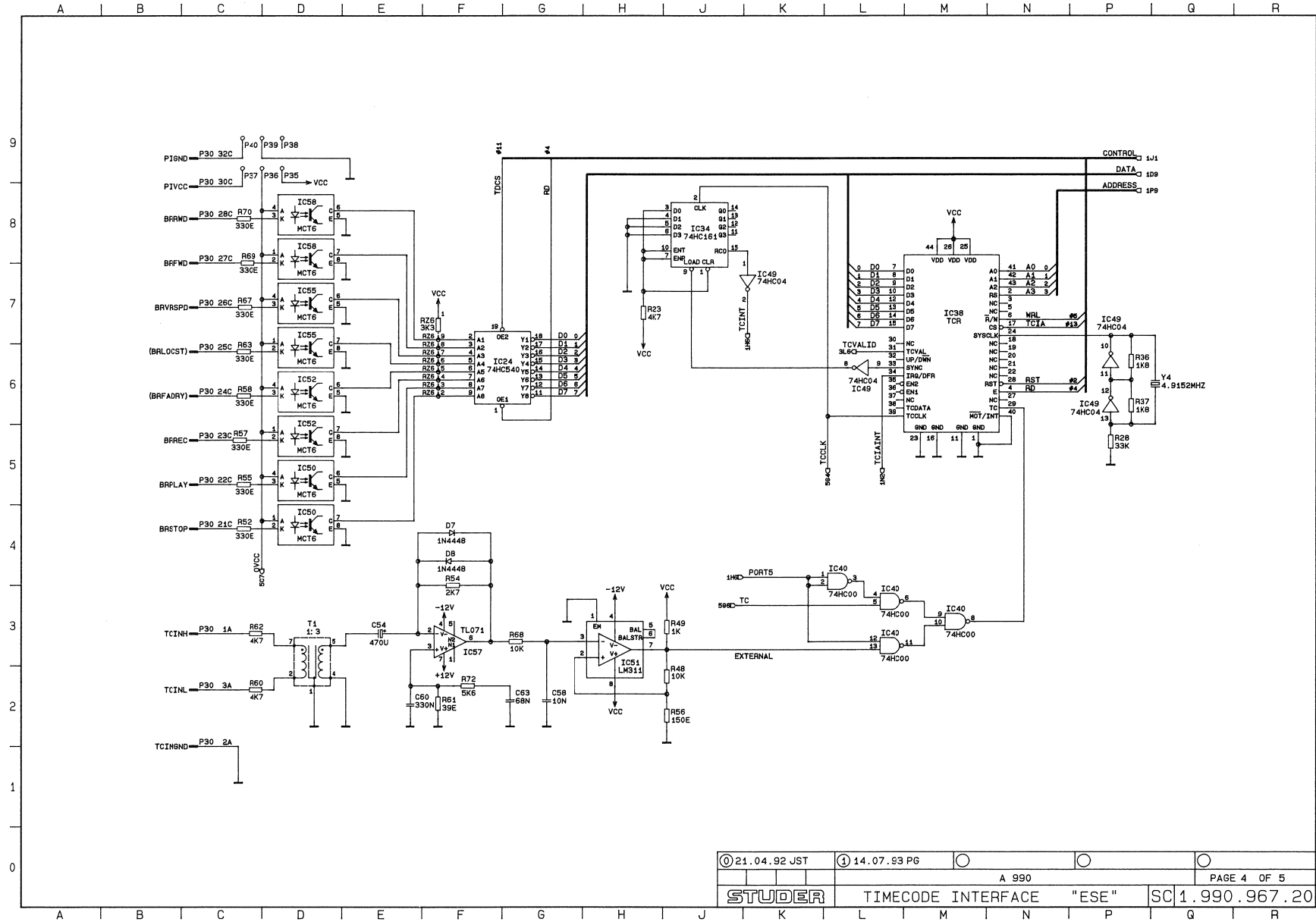
1.990.967.20



① 21.04.92 JST	① 14.07.93 PG	○	○	A 990	○	○	PAGE 3 OF 5
STUDER		TIMECODE INTERFACE		"ESE"		SC 1.990.967.20	

TIME CODE INTERFACE

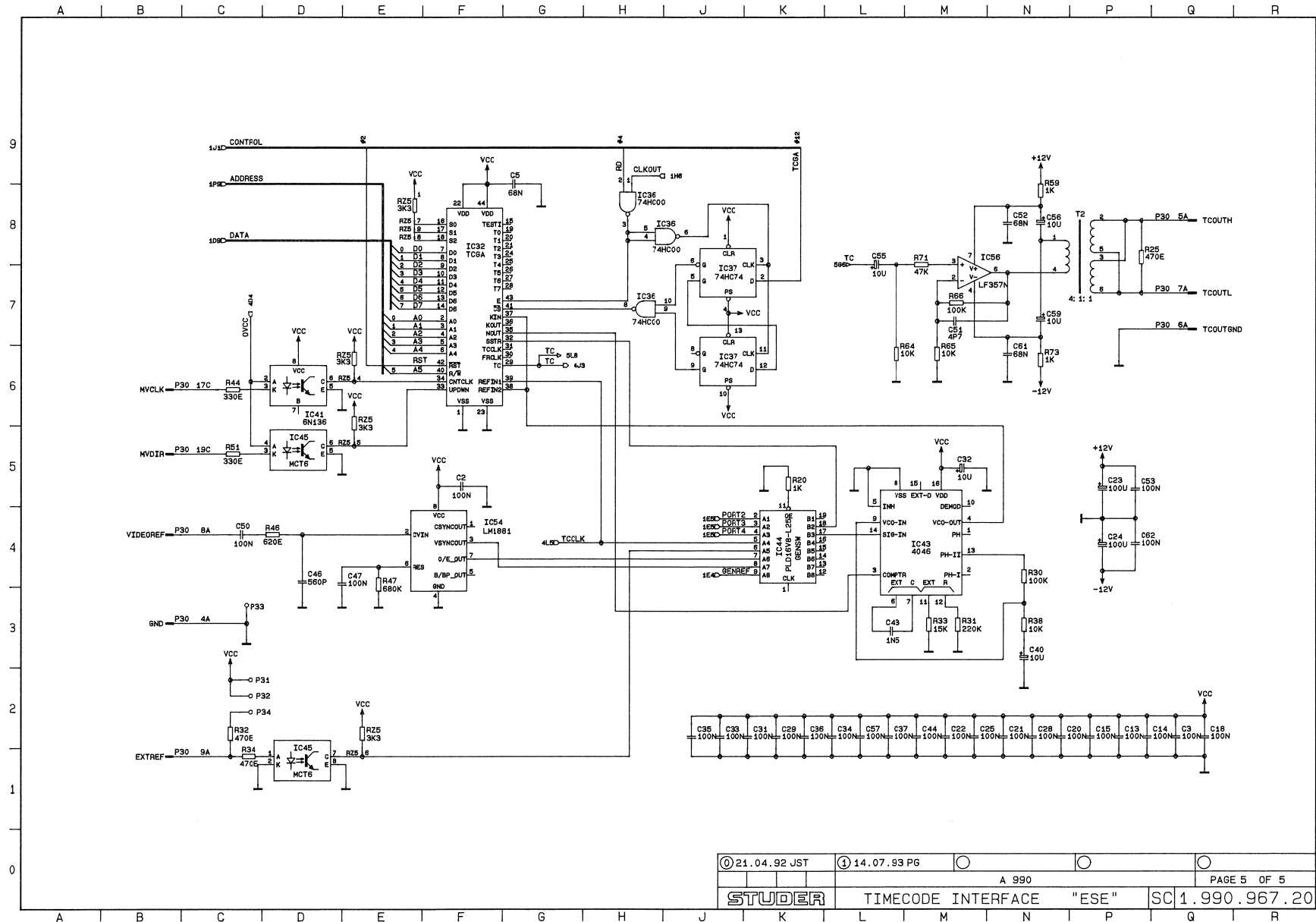
1.990.967.20



① 21.04.92 JST	④ 14.07.93 PG	○	○	○
A 990				
STUDER			TIMECODE INTERFACE	"ESE"
			SC1.990.967.20	PAGE 4 OF 5

TIME CODE INTERFACE

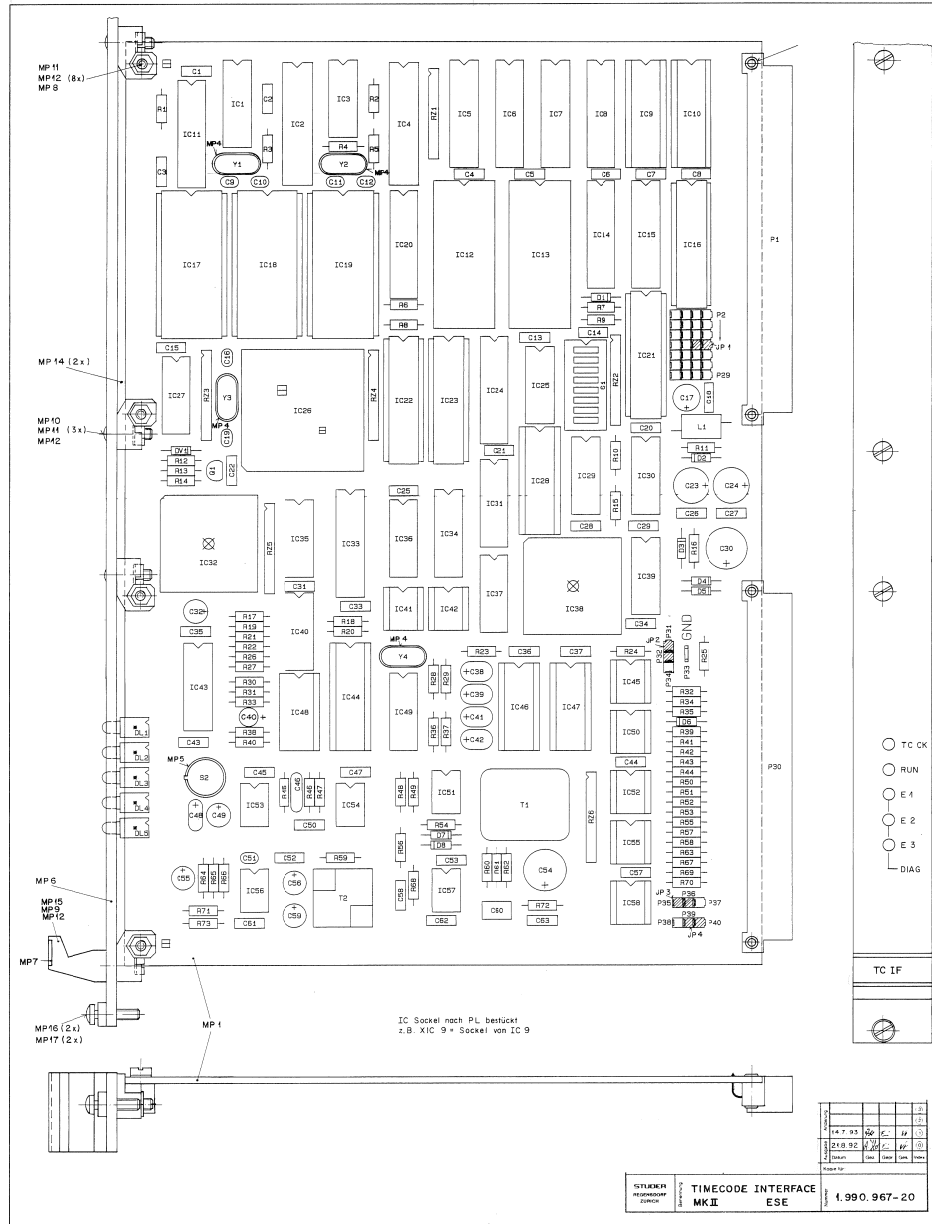
1.990.967.20



① 21.04.92 JST	① 14.07.93 PG	○	○	○
A 990				
STUDER		TIMECODE INTERFACE		"ESE"
			SC 1.990.967.20	PAGE 5 OF 5

TIME CODE INTERFACE

1.990.967.20



Idx	Pos.	Part No.	Qty.	Type/Val	Description	Idx	Pos.	Part No.	Qty.	Type/Val	Description
0	C 1	59.05.0683	68n	PETP, 63V, 10%, RM5		0	IC 11	50.17.1573	74HC573	IC	.. 74 HC 573 ..
0	C 2	59.06.0104	100n	PETP, 63V, 10%, RM5		0	IC 12	50.14.1801	MK4603N	IC	MK 4603 - 80 N
0	C 3	59.05.0104	100n	PETP, 63V, 10%, RM5		0	IC 13	50.14.1801	MK4603N	IC	MK 4603 - 80 N
0	C 4	59.05.0683	68n	PETP, 63V, 10%, RM5		0	IC 14	50.17.0574	74HCT574	IC	.. 74 HCT574 ..
0	C 5	59.05.0683	68n	PETP, 63V, 10%, RM5		0	IC 15	50.17.0574	74HCT574	IC	.. 74 HCT574 ..
0	C 6	59.05.0683	68n	PETP, 63V, 10%, RM5		0	IC 16	50.18.0101	20V8-25	GAL 20 V 8 - 25 LP	
0	C 7	59.05.0104	100n	PETP, 63V, 10%, RM5		1	IC 17	50.14.2201	27 256	SOFTWARE 1.990.988.20	
0	C 8	59.05.0683	68n	PETP, 63V, 10%, RM5		0	IC 18	50.14.1604	HM62256	IC HM 62256 ALP-12	
0	C 9	59.34.0479	4p7	CER 63V, 5%, P100		0	IC 19	50.14.1604	HM62256	IC HM 62256 ALP-12	
0	C 10	59.34.0479	4p7	CER 63V, 5%, P100		0	IC 20	50.17.1573	74HC573	IC .. 74 HC 573 ..	
0	C 11	59.34.0479	4p7	CER 63V, 5%, P100		0	IC 21	50.18.0101	20V8-25	GAL 20 V 8 - 25 LP	
0	C 12	59.34.0479	4p7	CER 63V, 5%, P100		0	IC 22	50.18.0101	20V8-25	GAL 20 V 8 - 25 LP	
0	C 13	59.05.0104	100n	PETP, 63V, 10%, RM5		0	IC 23	50.18.0101	20V8-25	GAL 20 V 8 - 25 LP	
0	C 14	59.05.0104	100n	PETP, 63V, 10%, RM5		0	IC 24	50.17.1640	74HC540	IC .. 74 HC 540 ..	
0	C 15	59.05.0104	100n	PETP, 63V, 10%, RM5		0	IC 25	50.06.0032	74LS32	IC SN 74 LS 32 N	
0	C 16	59.34.2330	33p	CER 63V, 5%, N150		0	IC 26	50.03.0033	80C196	N 80 C 196 KB-16	
0	C 17	59.32.3101	100u	EL 10V, 20%, RM5		0	IC 27	50.17.1020	74HC540	IC .. 74 HC 540 ..	
0	C 18	59.05.0104	100n	PETP, 63V, 10%, RM5		0	IC 28	50.05.1641	74LS841	IC SN 74 LS 841-N	
0	C 19	59.34.2330	33p	CER 63V, 5%, N150		0	IC 29	50.06.0011	74LS11	IC SN 74 LS 11 N	
0	C 20	59.05.0104	100n	PETP, 63V, 10%, RM5		0	IC 30	50.06.0004	74LS04	IC SN 74 LS 04 N	
0	C 21	59.05.0104	100n	PETP, 63V, 10%, RM5		0	IC 31	50.06.0112	74LS112	IC SN 74 LS 112 N	
0	C 22	59.05.0104	100n	PETP, 63V, 10%, RM5		0	IC 32	50.05.0030	TCGA	SMPTe Time-Code Generator	
0	C 23	59.22.5101	100u	EL 25V, 20%, RM5		0	IC 33	50.17.1540	74HC540	IC .. 74 HC 540 ..	
0	C 24	59.22.5101	100u	EL 25V, 20%, RM5		0	IC 34	50.17.1161	74HC161	IC .. 74 HC 161 ..	
0	C 25	59.05.0104	100n	PETP, 63V, 10%, RM5		0	IC 35	50.17.1032	74HC32	IC .. 74 HC 32 ..	
0	C 26	59.05.0683	68n	PETP, 63V, 10%, RM5		0	IC 36	50.17.1000	74HC00	IC .. 74 HC 00 ..	
0	C 27	59.05.0683	68n	PETP, 63V, 10%, RM5		0	IC 37	50.17.1074	74HC74	IC .. 74 HC 74 ..	
0	C 28	59.05.0104	100n	PETP, 63V, 10%, RM5		0	IC 38	50.50.0020	TCR	SMPTe Time-Code Reader	
0	C 29	59.05.0104	100n	PETP, 63V, 10%, RM5		0	IC 39	50.06.0032	74LS32	IC SN 74 LS 32 N	
1	C 30	not used	470u	EL 6.3V, 20%, RM5		0	IC 40	50.17.1000	74HC00	IC .. 74 HC 00 ..	
0	C 31	59.05.0104	100n	PETP, 63V, 10%, RM5		0	IC 41	50.04.2163	6N136	DLQ 6 N 136	
0	C 32	59.22.6100	10u	EL 35V, 20%, RM5		0	IC 42	50.04.2163	6N136	DLQ 6 N 136	
0	C 33	59.05.0104	100n	PETP, 63V, 10%, RM5		0	IC 43	50.07.0048	4048	IC .. 4048 ..	
0	C 34	59.05.0104	100n	PETP, 63V, 10%, RM5		0	IC 44	50.18.0100	PLD16V8	16V D - 25 LP	
0	C 35	59.05.0104	100n	PETP, 63V, 10%, RM5		3	IC 45	50.09.0111	MCT6	DLQ ILD-74, MCT 6, TLP 504 A	
0	C 36	59.05.0104	100n	PETP, 63V, 10%, RM5		0	IC 46	50.15.0120	MAX232	IC MAX 232 OPT	
0	C 37	59.05.0104	100n	PETP, 63V, 10%, RM5		0	IC 47	50.09.0112	74LS112	IC SN 74 LS 112 N	
0	C 38	59.26.2100	10u	SAL, 20%, 16V		0	IC 48	50.17.1074	74HC74	IC .. 74 HC 74 ..	
0	C 39	59.26.2100	10u	SAL, 20%, 16V		0	IC 49	50.17.1004	74HC24	IC .. 74 HC 24 ..	
0	C 40	59.22.6100	10u	EL 35V, 20%, RM5		0	IC 50	50.09.0111	MCT6	DLQ ILD-74, MCT 6, TLP 504 A	
0	C 41	59.26.2100	10u	SAL, 20%, 16V		0	IC 51	50.11.0114	LM311	IC LM 311 N, LM 311 P	
0	C 42	59.26.2100	10u	SAL, 20%, 16V		0	IC 52	50.09.0111	MCT6	DLQ ILD-74, MCT 6, TLP 504 A	
1	C 43	59.05.0152	1n5	PETP, 63V, 10%, RM5		0	IC 53	50.11.0167	TL7708B	IC TL 7708 BCP	
0	C 44	59.05.0104	100n	PETP, 63V, 10%, RM5		0	IC 54	50.11.0145	LM1881	IC LM 1881	
0	C 45	59.05.0104	100n	PETP, 63V, 10%, RM5		0	IC 55	50.09.0111	MCT6	DLQ ILD-74, MCT 6, TLP 504 A	
0	C 46	59.05.0104	100n	PETP, 63V, 10%, RM5		0	IC 56	50.09.0102	LF357N	Op-Amp single, OCFET, DIP 8	
0	C 47	59.05.0104	100n	PETP, 63V, 10%, RM5		0	IC 57	50.09.0103	TL071	IC TL 071 CP	
0	C 48	59.26.5109	1u	SAL, 20%, 25V		0	IC 58	50.09.0111	MCT6	DLQ ILD-74, MCT 6, TLP 504 A	
0	C 49	59.22.3470	47u	EL 10V, 20%, RM5		0	JP 1	54.01.0021	Jumper	0.63 * 0.63mm	
0	C 50	59.05.0104	100n	PETP, 63V, 10%, RM5		0	JP 2	54.01.0021	Jumper	0.63 * 0.63mm	
0	C 51	59.34.0479	4p7	CER 63V, 5%, P100		0	JP 3	54.01.0021	Jumper	0.63 * 0.63mm	
0	C 52	59.05.0683	68n	PETP, 63V, 10%, RM5		0	JP 4	54.01.0021	Jumper	0.63 * 0.63mm	
0	C 53	59.05.0104	100n	PETP, 63V, 10%, RM5		1	JP 5	not used	Jumper	0.63 * 0.63mm	
0	C 54	59.22.2471	470u	EL 6.3V, 20%, RM5		0	L 1	62.01.0116	2.5Wwg	L BREITBAND-	
0	C 55	59.22.6100	10u	EL 35V, 20%, RM5		0	MP 1	1.990.967.11	1 mp	TIMECODE INTERFACE MK2 PC3	
0	C 56	59.22.6100	10u	EL 35V, 20%, RM5		0	MP 2	43.01.0108	1 mp	ESE-WARNschild	
0	C 57	59.05.0104	100n	PETP, 63V, 10%, RM5		0	MP 3	1.990.967.04	0 mp	STUEBER-NR.-ETIKETTE 10 * 20	
0	C 58	59.05.0103	10n	PETP, 63V, 10%, RM5		0	MP 4	89.01.1469	4 mp	QUARTZ-ISOBRILLE	
0	C 59	59.22.6100	10u	EL 35V, 20%, RM5		0	MP 5	1.010.015.50	1 mp	Spacer	
0	C 60	59.05.0334	330n	PETP, 63V, 10%, RM5		0	MP 6	1.990.967.01	1 mp	FRONTPLATTE TIMECODE INTERFACE	
0	C 61	59.05.0683	68n	PETP, 63V, 10%, RM5		1	MP 7	1.990.967.02	1 mp	GRIFFEINLAGE TIMECODE-IF	
0	C 62	59.05.0104	100n	PETP, 63V, 10%, RM5		0	MP 8	21.01.0280	4 mp	M2.5*8 Z-Schraube Zn g chr	
0	C 63	59.05.0683	68n	PETP, 63V, 10%, RM5		0	MP 9	21.01.0281	1 mp	M2.5*10 Z-Schraube Zn g chr	
1	DL 1	50.04.2752	yel	LED mit Halter		0	MP 10	21.02.3281	3 mp	M2.5*10 LS-Schr. Schltz. NI	
1	DL 2	50.04.2751	grn	LED mit Halter		0	MP 11	22.01.8028	7 mp	M2.5 6tk-Mutter 0.6d St Zn g	
1	DL 3	50.04.2750	red	LED mit Halter		0	MP 12	24.18.1028	8 mp	M2.5 RIPPENSCHIEBE D 2.7/ 5	
1	DL 4	50.04.2750	red	LED mit Halter		0	MP 13	28.69.0119	4 mp	M2.5 ROHRNIETE D 2.5*10 15° 9	
1	DL 5	50.04.2750	red	LED mit Halter		0	MP 14	49.02.0004	2 mp	M2.5 LEITERPLATTENHALTER	
0	DV 1	50.04.1101	3V9	Zener, 6%, 0.5W, DO-35		0	MP 15	49.02.0006	1 mp	M2.5 FRONTPLATTENGRIF, L=18.9 MM	
0	IC 1	50.05.0031	74LS31	IC SN 74 LS 31 N		0	MP 16	48.02.0321	2 mp	M2.5 LZ-SCHR. M 3 * 11.3	
0	IC 2	50.16.0201	SCC2691	IC SCC 2691 AE 1 N 24		0	MP 17	48.02.0322	2 mp	M2.5 GEWINDE-BUCHE M 3	
0	IC 3	50.06.0032	74LS32	IC SN 74 LS 32 N		0	P 1	54.01.0020	1p	Pin 0.63*0.63	
0	IC 4	50.16.0201	SCC2691	IC SCC 2691 AE 1 N 24		0	P 2	54.01.0020	1p	Pin 0.63*0.63	
0	IC 5	50.17.0574	74HCT574	IC .. 74 HCT574 ..		0	P 3	54.01.0020	1p	Pin 0.63*0.63	
0	IC 6	50.17.0574	74HCT574	IC .. 74 HCT574 ..		0	P 4	54.01.0020	1p	Pin 0.63*0.63	
0	IC 7	50.17.0574	74HCT574	IC .. 74 HCT574 ..		0	P 5	54.01.0020	1p	Pin 0.63*0.63	
0	IC 8	50.17.0574	74HCT574	IC .. 74 HCT574 ..		0	P 6	54.01.0020	1p	Pin 0.63*0.63	
0	IC 9	50.17.0574	74HCT574	IC .. 74 HCT574 ..		0	P 7	54.01.0020	1p	Pin 0.63*0.63	
0	IC 10	50.05.1645	74LS845	IC SN 74 LS 845-N		0	P 8	54.01.0020	1p	Pin 0.63*0.63	
0	IC 11	50.05.1645	74LS845	IC SN 74 LS 845-N		0	P 9	54.01.0020	1p	Pin 0.63*0.63	
0	IC 12	50.05.1645	74LS845	IC SN 74 LS 845-N		0	P 10	54.01.0020	1p	Pin 0.63*0.63	



TIME CODE INTERFACE

1.990.967.20

Idx	Pos.	Part No.	Qty.	Type/Val.	Description	Idx	Pos.	Part No.	Qty.	Type/Val.	Description
0	P 11	54.01.0020	1p		Pin 0.63*0.63	0	R 69	57.11.3102	1k0		MF, 1%, 0207
0	P 12	54.01.0020	1p		Pin 0.63*0.63	0	R 60	57.11.3472	4k7		MF, 1%, 0207
0	P 13	54.01.0020	1p		Pin 0.63*0.63	0	R 61	57.11.3390	39R		MF, 1%, 0207
0	P 14	54.01.0020	1p		Pin 0.63*0.63	0	R 62	57.11.3472	4k7		MF, 1%, 0207
0	P 15	54.01.0020	1p		Pin 0.63*0.63	0	R 63	57.11.3331	330R		MF, 1%, 0207
0	P 16	54.01.0020	1p		Pin 0.63*0.63	0	R 64	57.11.3103	10k		MF, 1%, 0207
0	P 17	54.01.0020	1p		Pin 0.63*0.63	0	R 65	57.11.3103	10k		MF, 1%, 0207
0	P 18	54.01.0020	1p		Pin 0.63*0.63	0	R 66	57.11.3104	100k		MF, 1%, 0207
0	P 19	54.01.0020	1p		Pin 0.63*0.63	0	R 67	57.11.3331	330R		MF, 1%, 0207
0	P 20	54.01.0020	1p		Pin 0.63*0.63	0	R 68	57.11.3103	10k		MF, 1%, 0207
0	P 21	54.01.0020	1p		Pin 0.63*0.63	0	R 69	57.11.3331	330R		MF, 1%, 0207
0	P 22	54.01.0020	1p		Pin 0.63*0.63	0	R 70	57.11.3331	330R		MF, 1%, 0207
0	P 23	54.01.0020	1p		Pin 0.63*0.63	0	R 71	57.11.3473	47k		MF, 1%, 0207
0	P 24	54.01.0020	1p		Pin 0.63*0.63	0	R 72	57.11.3562	5k6		MF, 1%, 0207
0	P 25	54.01.0020	1p		Pin 0.63*0.63	0	R 73	57.11.3102	1k0		MF, 1%, 0207
0	P 26	54.01.0020	1p		Pin 0.63*0.63						
0	P 27	54.01.0020	1p		Pin 0.63*0.63	0	RZ 1	57.88.4103	8*10k		2%, SIP 9
0	P 28	54.01.0020	1p		Pin 0.63*0.63	0	RZ 2	57.88.4103	8*10k		2%, SIP 9
0	P 29	54.01.0020	1p		Pin 0.63*0.63	0	RZ 3	57.88.4103	8*10k		2%, SIP 9
0	P 30	54.01.0358	96p		EU-C 3 * 32	0	RZ 4	57.88.4103	8*10k		2%, SIP 9
0	P 31	54.01.0020	1p		Pin 0.63*0.63	0	RZ 5	57.88.4332	8*3k3		2%, SIP 9
0	P 32	54.01.0020	1p		Pin 0.63*0.63	0	RZ 6	57.88.4332	8*3k3		2%, SIP 9
0	P 33	54.02.0320	1p		Flatpin, 2.8*0.8mm						
0	P 34	54.01.0020	1p		Pin 0.63*0.63	0	S 1	55.01.0168	8*a		SZ , 8*A, DIL
0	P 35	54.01.0020	1p		Pin 0.63*0.63	0	S 2	55.03.0122	1*a		S 1 TASTE, 1*A, PRINT,IMPULS
0	P 36	54.01.0020	1p		Pin 0.63*0.63						
0	P 37	54.01.0020	1p		Pin 0.63*0.63	0	T 1	1.022.409.00	1:3		SUMMEN-TRAFO 1:3
0	P 38	54.01.0020	1p		Pin 0.63*0.63	0	T 2	1.022.215.00	4:1:1		TIME CODE OUTPUT TRANSFORMER
0	P 39	54.01.0020	1p		Pin 0.63*0.63						
0	P 40	54.01.0020	1p		Pin 0.63*0.63						
0	Q 1	50.03.0497	BC337-40		BC 337-40						
0	R 1	57.11.3102	1k0		MF, 1%, 0207	0	XIC 9	53.03.0165	20p		DIL 0.3", lot, gerade
0	R 2	57.11.3103	10k		MF, 1%, 0207	0	XIC 10	53.03.0165	20p		DIL 0.3", lot, gerade
0	R 3	57.11.3105	1M0		MF, 1%, 0207	0	XIC 16	53.03.0182	24p		DIL 0.3", lot, gerade
0	R 4	57.11.3105	1M0		MF, 1%, 0207	0	XIC 17	53.03.0173	28p		DIL 0.6", lot, gerade
0	R 5	57.11.3102	1k0		MF, 1%, 0207	0	XIC 18	53.03.0173	28p		DIL 0.6", lot, gerade
0	R 6	57.11.3102	1k0		MF, 1%, 0207	0	XIC 19	53.03.0173	28p		DIL 0.6", lot, gerade
0	R 7	57.11.3102	1k0		MF, 1%, 0207	0	XIC 21	53.03.0182	24p		DIL 0.3", lot, gerade
0	R 8	57.11.3102	1k0		MF, 1%, 0207	0	XIC 22	53.03.0182	24p		DIL 0.3", lot, gerade
0	R 9	57.11.3102	1k0		MF, 1%, 0207	0	XIC 23	53.03.0182	24p		DIL 0.3", lot, gerade
0	R 10	57.11.3103	10k		MF, 1%, 0207	0	XIC 26	53.03.2268	PLCC88p		PLCC-Socket 68p
1	R 11	not used	1k0		MF, 1%, 0207	0	XIC 28	53.03.0165	20p		DIL 0.3", lot, gerade
0	R 12	57.11.3102	1k0		MF, 1%, 0207	0	XIC 32	53.03.2244	PLCC44p		PLCC-Socket 44p
0	R 13	57.11.3103	10k		MF, 1%, 0207	0	XIC 38	53.03.2244	PLCC44p		PLCC-Socket 44p
0	R 14	57.11.3104	100k		MF, 1%, 0207	0	XIC 41	53.03.0166	8p		DIL 0.3", lot, gerade
0	R 15	57.11.3472	4k7		MF, 1%, 0207	0	XIC 42	53.03.0166	8p		DIL 0.3", lot, gerade
1	R 16	not used	100R		MF, 1%, 0207	0	XIC 44	53.03.0165	20p		DIL 0.3", lot, gerade
0	R 17	57.11.3102	1k0		MF, 1%, 0207	0	XIC 45	53.03.0166	8p		DIL 0.3", lot, gerade
0	R 18	57.11.3102	1k0		MF, 1%, 0207	0	XIC 46	53.03.0168	16p		DIL 0.3", lot, gerade
0	R 19	57.11.3102	1k0		MF, 1%, 0207	0	XIC 47	53.03.0168	16p		DIL 0.3", lot, gerade
0	R 20	57.11.3102	1k0		MF, 1%, 0207	0	XIC 48	53.03.0167	14p		DIL 0.3", lot, gerade
0	R 21	57.11.3102	1k0		MF, 1%, 0207	0	XIC 50	53.03.0166	8p		DIL 0.3", lot, gerade
0	R 22	57.11.3102	1k0		MF, 1%, 0207	0	XIC 52	53.03.0166	8p		DIL 0.3", lot, gerade
0	R 23	57.11.3472	4k7		MF, 1%, 0207	0	XIC 55	53.03.0166	8p		DIL 0.3", lot, gerade
0	R 24	57.11.3472	4k7		MF, 1%, 0207	0	XIC 58	53.03.0166	8p		DIL 0.3", lot, gerade
0	R 25	57.11.3471	470R		MF, 1%, 0207	0	Y 1	89.01.1002	3.686MHz		3.686 400 MHz, HC 18/U
0	R 26	57.11.3102	1k0		MF, 1%, 0207	0	Y 2	89.01.1002	3.686MHz		3.686 400 MHz, HC 18/U
0	R 27	57.11.3473	47k		MF, 1%, 0207	0	Y 3	89.01.1008	8.0000MHz		8.000 000 MHz, HC 18/U
0	R 28	57.11.3333	33k		MF, 1%, 0207	0	Y 4	89.01.0560	4.9152MHz		4.915 200 MHz,
0	R 29	57.11.3392	3k9		MF, 1%, 0207						
1	R 30	57.11.3104	100k		MF, 1%, 0207						
1	R 31	57.11.3224	220k		MF, 1%, 0207						
0	R 32	57.11.3471	470R		MF, 1%, 0207						
0	R 33	57.11.3153	15k		MF, 1%, 0207						
0	R 34	57.11.3471	470R		MF, 1%, 0207						
0	R 35	57.11.3221	220R		MF, 1%, 0207						
0	R 36	57.11.3182	1k8		MF, 1%, 0207						
0	R 37	57.11.3182	1k8		MF, 1%, 0207						
0	R 38	57.11.3103	10k		MF, 1%, 0207						
0	R 39	57.11.3221	220R		MF, 1%, 0207						
0	R 40	57.11.3103	10k		MF, 1%, 0207						
0	R 41	57.11.3221	220R		MF, 1%, 0207						
0	R 42	57.11.3221	220R		MF, 1%, 0207						
0	R 43	57.11.3221	220R		MF, 1%, 0207						
0	R 44	57.11.3331	330R		MF, 1%, 0207						
0	R 45	57.11.3100	10R		MF, 1%, 0207						
0	R 46	57.11.3621	620R		MF, 1%, 0207						
0	R 47	57.11.3684	680k		MF, 1%, 0207						
0	R 48	57.11.3103	10k		MF, 1%, 0207						
0	R 49	57.11.3102	1k0		MF, 1%, 0207						
0	R 50	57.11.3331	330R		MF, 1%, 0207						
0	R 51	57.11.3331	330R		MF, 1%, 0207						
0	R 52	57.11.3331	330R		MF, 1%, 0207						
0	R 53	57.11.3471	470R		MF, 1%, 0207						
0	R 54	57.11.3272	2k7		MF, 1%, 0207						
0	R 55	57.11.3331	330R		MF, 1%, 0207						
0	R 56	57.11.3151	150R		MF, 1%, 0207						
0	R 57	57.11.3331	330R		MF, 1%, 0207						
0	R 58	57.11.3331	330R		MF, 1%, 0207						

End of List

Comments

(01) 14. jul 96 FRI

Remark:
IC 16,17,22,23,44 are IC's without software

IC's with software:
(IC 16) 1.990.985.20: 1 pcs GAL 50.18.0101 / 20V8-25LP incl. software0
(IC 17) 1.990.981.20: 1 pcs EPR 50.14.2201 / 27C258-25 incl. software0
(IC 22) 1.990.987.20: 1 pcs GAL 50.18.0101 / 20V8-25LP incl. software0
(IC 23) 1.990.988.20: 1 pcs GAL 50.18.0101 / 20V8-25LP incl. software0
(IC 44) 1.990.989.20: 1 pcs GAL 50.18.0100 / PLD16V8 incl. software0

Section 10 Connection Boards

Table of Contents

39P Conn. Male Open 2A Board.....	1.992.140.00
39P Conn. Male Open 2B Board.....	1.992.141.00
39P Conn. Male Closed 2A Board	1.992.142.00
Power Connector Board 2A.....	1.992.144.00
Choke 100Hz Board 2A	1.992.145.00
RF-Filter/Conn. Board	1.992.146.00
Conn. Board Inp./In-L./Fad. 4A.....	1.992.150/151.00
Conn. Board	1.992.150/151.00
Connection Inp./In Line/Fader.....	1.992.150/151.00
Connection Board Inp./In-L./Fad. 4A	1.992.150.00
Connection Board Inp./Fader 4A	1.992.151.00
Connection Board Processor Unit 1A.....	1.992.153.00

39P CONN. MALE OPEN 2B BOARD

1.992.141.00

Ad	POS.	REF. No.	DESCRIPTION	MANUFACTURER	Ad	POS.	REF. No.	DESCRIPTION	MANUFACTURER
C....1		59.32.1221	220 pF	CER					
C....2		59.32.1221	220 pF	CER					
C....3		59.32.1221	220 pF	CER					
C....4		59.32.1221	220 pF	CER					
C....5		59.32.1221	220 pF	CER					
C....6		59.32.1221	220 pF	CER					
C....7		59.32.1221	220 pF	CER					
C....8		59.32.1221	220 pF	CER					
C....9		59.32.1221	220 pF	CER					
C....10		59.32.1221	220 pF	CER					
C....11		59.32.1221	220 pF	CER					
C....12		59.32.1221	220 pF	CER					
C....13		59.32.1221	220 pF	CER					
C....14		59.32.1221	220 pF	CER					
C....15		59.32.1221	220 pF	CER					
C....16		59.32.1221	220 pF	CER					
C....17		59.32.1221	220 pF	CER					
C....18		59.32.1221	220 pF	CER					
C....19		59.32.1221	220 pF	CER					
C....20		59.32.1221	220 pF	CER					
C....21		59.32.1221	220 pF	CER					
C....22		59.32.1221	220 pF	CER					
C....23		59.32.1221	220 pF	CER					
C....24		59.32.1221	220 pF	CER					
C....25		59.32.1221	220 pF	CER					
C....26		59.32.1221	220 pF	CER					
C....27		59.32.1221	220 pF	CER					
C....28		59.32.1221	220 pF	CER					
C....29		59.32.1221	220 pF	CER					
C....30		59.32.1221	220 pF	CER					
C....31		59.32.1221	220 pF	CER					
C....32		59.32.1221	220 pF	CER					
C....33		59.32.1221	220 pF	CER					
C....34		59.32.1221	220 pF	CER					
C....35		59.32.1221	220 pF	CER					
C....36		59.32.1221	220 pF	CER					
C....37		59.32.1221	220 pF	CER					
C....38		59.32.1221	220 pF	CER					
C....39		59.32.1221	220 pF	CER					
C....40		59.32.1221	220 pF	CER					
C....41		59.32.1221	220 pF	CER					
C....42		59.32.1221	220 pF	CER					
C....43		59.32.1221	220 pF	CER					
C....44		59.32.1221	220 pF	CER					
C....45		59.32.1221	220 pF	CER					
C....46		59.32.1221	220 pF	CER					
C....47		59.32.1221	220 pF	CER					
C....48		59.32.1221	220 pF	CER					
C....49		0	not used						
C....50		59.32.1102	1000 pF	CER					
C....51		0	not used						
C....52		0	not used						
C....53		0	not used						
C....54		0	not used						
MP....1		1.992.141.11	1 pcs	Print					St
MP....2		54.14.7020	2 pcs	Passstift					Sie
MP....3		54.14.7023	2 pcs	Passbüchse					Sie
MP....4		54.14.7022	2 pcs	Riegelwarne					Sie
MP....5		1.010.014.22	8 pcs	Nietmuttern					St
MP....5		1.010.014.22	12 pcs	Nietmuttern					St
MP....6		1.992.141.04	1 pcs	Nr.-Etikette					
P...21		54.11.0135	2*3 Pin	PCB Male Connector					
P...22		54.11.0135	2*3 Pin	PCB Male Connector					
P...23		54.11.0135	2*3 Pin	PCB Male Connector					
P...24		54.11.0135	2*3 Pin	PCB Male Connector					
P...25		54.11.0135	2*3 Pin	PCB Male Connector					
P...26		54.11.0135	2*3 Pin	PCB Male Connector					
P...27		54.11.0135	2*3 Pin	PCB Male Connector					
P...28		54.11.0135	2*3 Pin	PCB Male Connector					
P...29		54.11.0135	2*3 Pin	PCB Male Connector					
P...30		54.11.0135	2*3 Pin	PCB Male Connector					
P...31		54.11.0136	2*3 Pin	PCB Male Connector					
P...32		54.11.0136	2*3 Pin	PCB Male Connector					
P...33		54.11.0136	2*3 Pin	PCB Male Connector					
P...34		54.11.0136	2*3 Pin	PCB Male Connector					
P...35		54.11.0136	2*3 Pin	PCB Male Connector					
P...36		54.11.0136	2*3 Pin	PCB Male Connector					
P...37		54.11.0136	2*3 Pin	PCB Male Connector					
P...38		54.11.0136	2*3 Pin	PCB Male Connector					
P...39		54.11.0136	2*3 Pin	PCB Male Connector					
P...40		54.11.0136	2*3 Pin	PCB Male Connector					
P...41		54.11.0136	2*3 Pin	PCB Male Connector					
P...42		54.11.0136	2*3 Pin	PCB Male Connector					
P...43		54.11.0136	2*3 Pin	PCB Male Connector					
P...44		54.11.0136	2*3 Pin	PCB Male Connector					
P...51		54.14.1023	39 Pin	Knife - Connector					Sie
P...52		54.14.1023	39 Pin	Knife - Connector					Sie

C51, C52, C53, C54 nicht bestückt

31.10.90 Datum	[Signature] Gez.	[Signature] Gepr.	[Signature] Gepr.	[Signature] Gepr.	[Signature] Gepr.
-------------------	---------------------	----------------------	----------------------	----------------------	----------------------

Kopie für:

STUDER REGISIERBÜRO ZÜRICH	39P CONN. MALE OPEN 2B BOARD	Nummer: 1.992.141-00
----------------------------------	---------------------------------	-------------------------

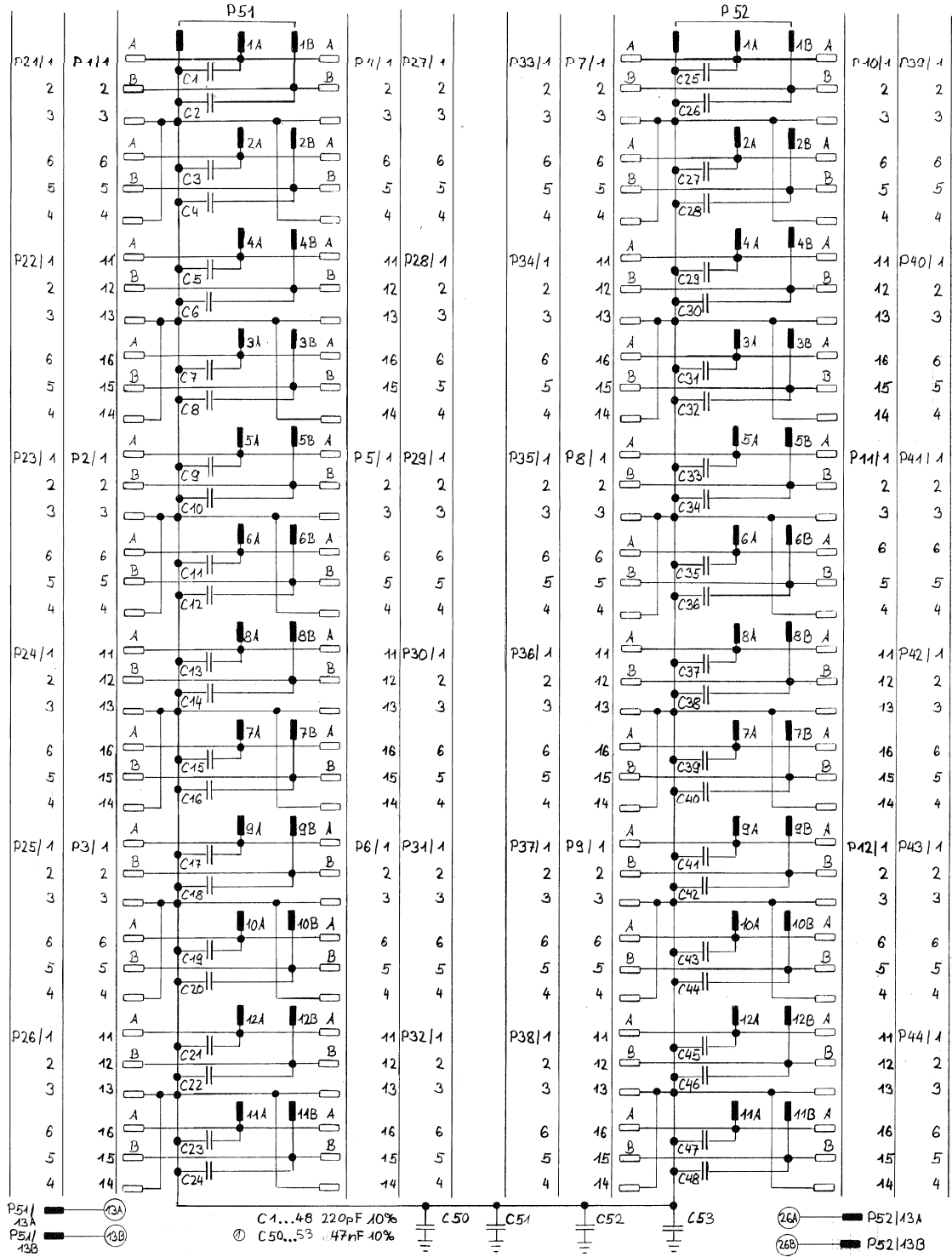
(01) 19.10.90 Better mechanical stability

CER=Ceramic

MANUFACTURER: Sie=Siemens, St=Studer, Six=Siliconix,

39P CONN. MALE CLOSED 2A BOARD

1.992.142.00

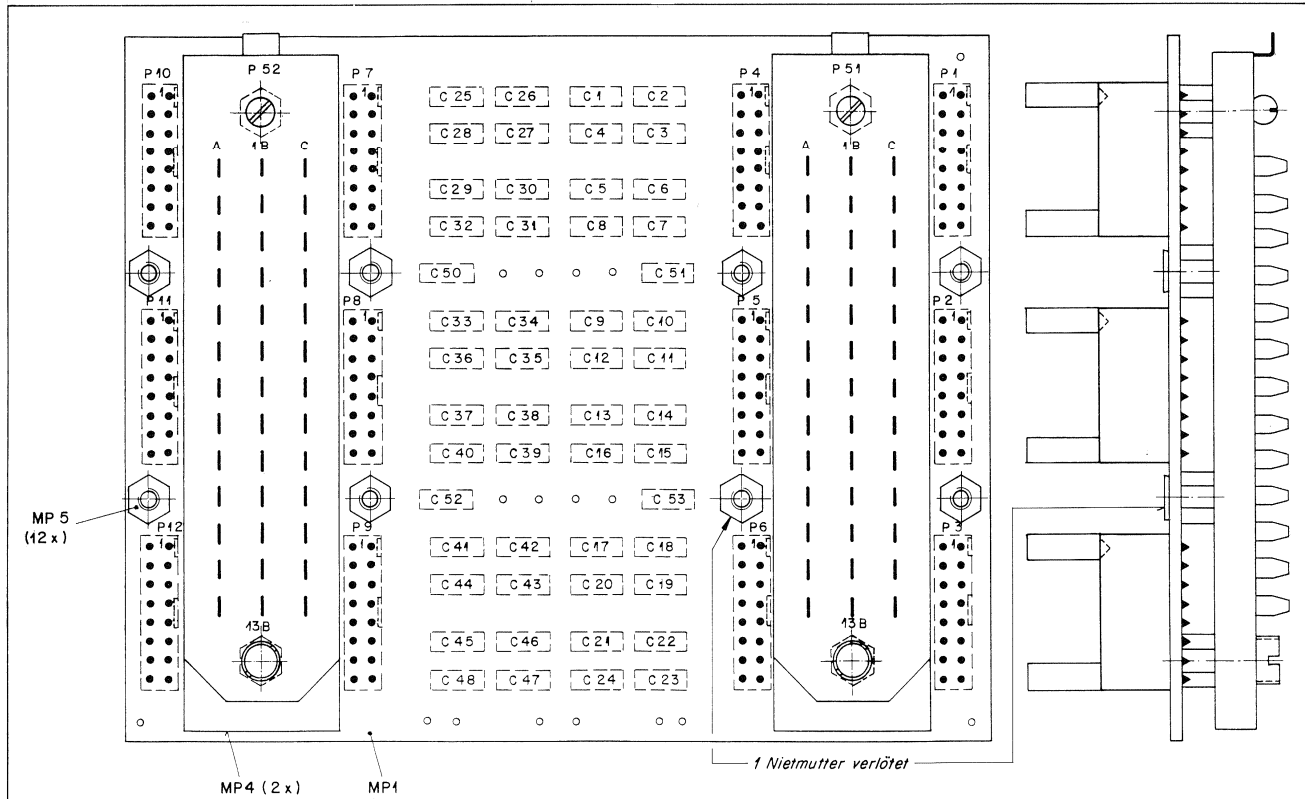


P51/13A (3A) C1...48 220pF 10% C50 C51 C52 C53 (26A) P52/13A
 P51/13B (3B) C50...53 47nF 10% C50 C51 C52 C53 (26B) P52/13B

① 26.11.90 ab	① 14-5-91 MUY	① . . .	① . . .	① . . .
STUDER			39 CONN. MALE CLOSED 2A BOARD	SC 1.992.142.00
				PAGE 1 OF 1

39P CONN. MALE CLOSED 2A BOARD

1.992.142.00



Ad ..POS. ...REF.No... DESCRIPTION.....MANUFACTURER

C....1	59.32.1221	220 pF	CER
C....2	59.32.1221	220 pF	CER
C....3	59.32.1221	220 pF	CER
C....4	59.32.1221	220 pF	CER
C....5	59.32.1221	220 pF	CER
C....6	59.32.1221	220 pF	CER
C....7	59.32.1221	220 pF	CER
C....8	59.32.1221	220 pF	CER
C....9	59.32.1221	220 pF	CER
C....10	59.32.1221	220 pF	CER
C....11	59.32.1221	220 pF	CER
C....12	59.32.1221	220 pF	CER
C....13	59.32.1221	220 pF	CER
C....14	59.32.1221	220 pF	CER
C....15	59.32.1221	220 pF	CER
C....16	59.32.1221	220 pF	CER
C....17	59.32.1221	220 pF	CER
C....18	59.32.1221	220 pF	CER
C....19	59.32.1221	220 pF	CER
C....20	59.32.1221	220 pF	CER
C....21	59.32.1221	220 pF	CER
C....22	59.32.1221	220 pF	CER
C....23	59.32.1221	220 pF	CER
C....24	59.32.1221	220 pF	CER
C....25	59.32.1221	220 pF	CER
C....26	59.32.1221	220 pF	CER
C....27	59.32.1221	220 pF	CER
C....28	59.32.1221	220 pF	CER
C....29	59.32.1221	220 pF	CER
C....30	59.32.1221	220 pF	CER
C....31	59.32.1221	220 pF	CER
C....32	59.32.1221	220 pF	CER
C....33	59.32.1221	220 pF	CER
C....34	59.32.1221	220 pF	CER
C....35	59.32.1221	220 pF	CER
C....36	59.32.1221	220 pF	CER
C....37	59.32.1221	220 pF	CER
C....38	59.32.1221	220 pF	CER
C....39	59.32.1221	220 pF	CER
C....40	59.32.1221	220 pF	CER
C....41	59.32.1221	220 pF	CER
C....42	59.32.1221	220 pF	CER
C....43	59.32.1221	220 pF	CER
C....44	59.32.1221	220 pF	CER
C....45	59.32.1221	220 pF	CER
C....46	59.32.1221	220 pF	CER
C....47	59.32.1221	220 pF	CER
C....48	59.32.1221	220 pF	CER
C....50	59.32.1102	1000 pF	CER
01 C....50	59.06.0473	47 nF	CER
01 C....51	59.06.0473	47 nF	CER

STUDER REGENSDORF ZÜRICH	Bezeichnung 39 P CONN. MALE CLOSED 2A BOARD	Nummer 1.992.142-00

Ausgabe				(3)
Anzahlung	14.5.91	DM	fr	(2)
Datum	27.11.90	TH	ab	(1)
Index				(0)

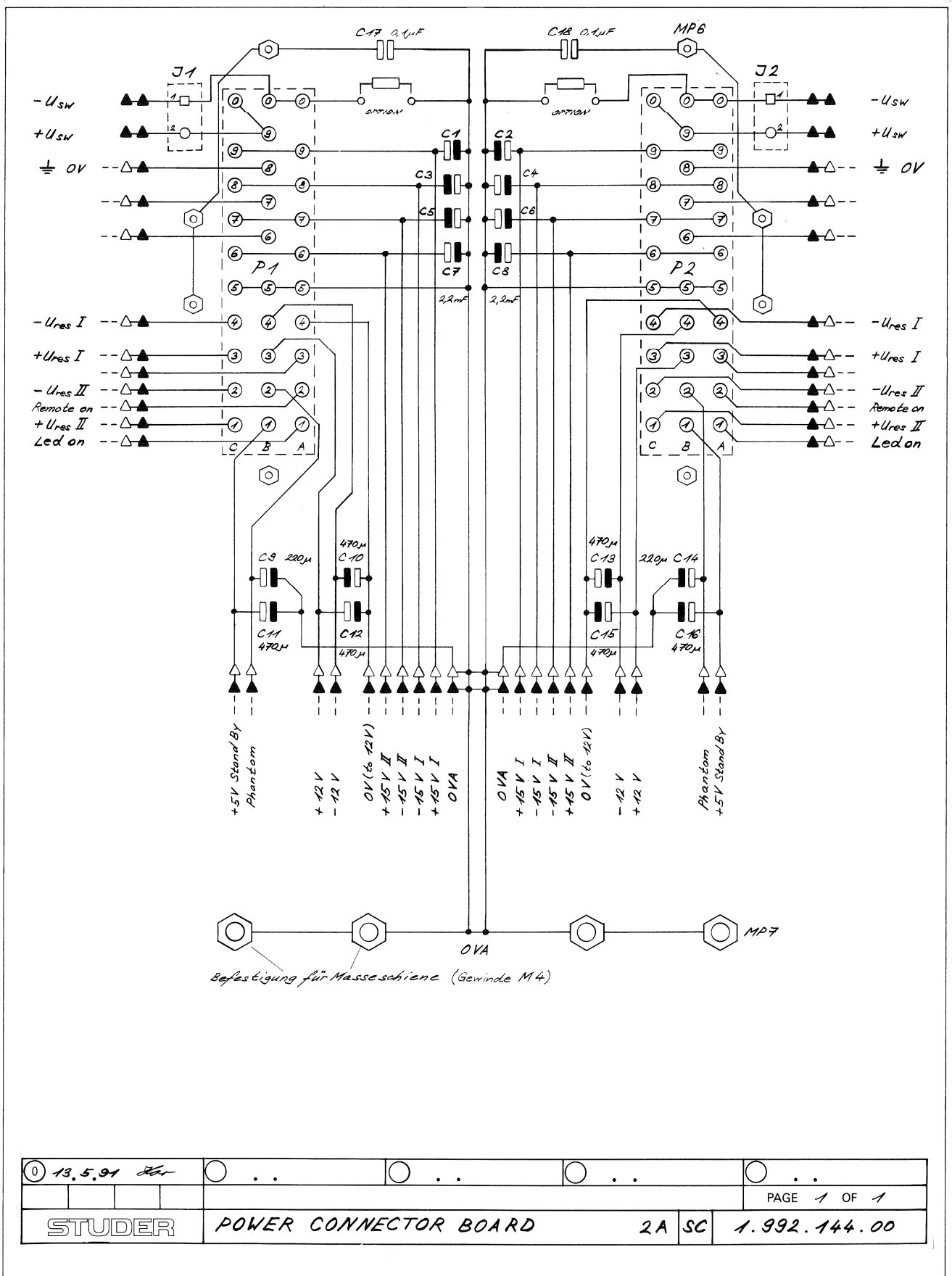
Ad ..POS. ...REF.No... DESCRIPTION.....MANUFACTURER

01 C....52	59.06.0473	47 nF	
01 C....53	59.06.0473	47 nF	
MP....1	1.992.142.11	1 pcs	Print
MP....2	54.14.7020	2 pcs	Passstift
MP....3	54.14.7023	2 pcs	Passbuchse
MP....4	54.14.7002	2 pcs	Riegelwanne
MP....5	1.010.014.22	12 pcs	Nietmuttern
MP....6	1.992.142.04	1 pcs	Nr.-Etikette
P....1	54.14.2102	2*8 Pin	PCB Flat Cable Connector
P....2	54.14.2102	2*8 Pin	PCB Flat Cable Connector
P....3	54.14.2102	2*8 Pin	PCB Flat Cable Connector
P....4	. . . 0	not used	
P....5	. . . 0	not used	
P....6	. . . 0	not used	
P....7	54.14.2102	2*8 Pin	PCB Flat Cable Connector
P....8	54.14.2102	2*8 Pin	PCB Flat Cable Connector
P....9	54.14.2102	2*8 Pin	PCB Flat Cable Connector
P....10	. . . 0	not used	
P....11	. . . 0	not used	
P....12	. . . 0	not used	
P....51	54.14.1023	39 Pin	Knife - Connector
P....52	54.14.1023	39 Pin	Knife - Connector

CER=Ceramic
 MANUFACTURER: Sie=Siemens, St=Studer
 1.992.142.00 39P CONN.MALE CLOSED 2A BOARD AB 90/11/2600
 1.992.142.00 39P CONN.MALE CLOSED 2A BOARD AB 91/05/1401

POWER CONNECTOR BOARD 2A

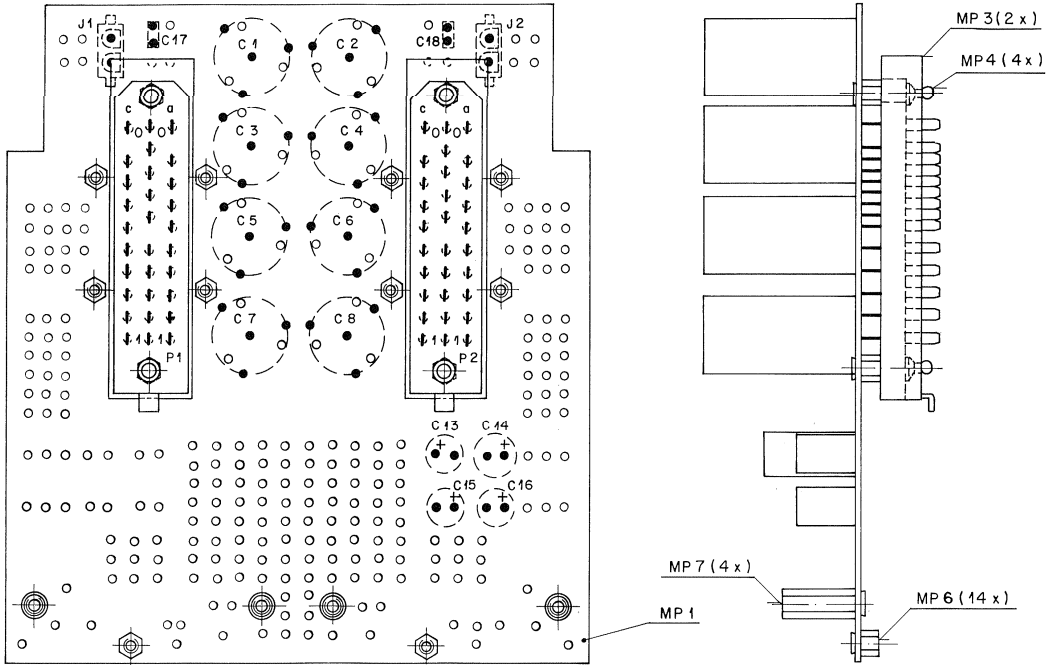
1.992.144.00



13.5.91
				PAGE 1 OF 1
STUDER	POWER CONNECTOR BOARD	2A SC	1.992.144.00	

POWER CONNECTOR BOARD 2A

1.992.144.00



3					
2					
1					
0	20.6.91				
	Datum	Grz	Grpr	Gas	Index

STUDER REGENSDORF ZÜRICH	Benennung POWER CONNECTOR BOARD 2A	Number: 1.992.144-00
--------------------------------	--	--------------------------------

Ad	POS	REF.No	DESCRIPTION	MANUFACTURER
C.....1	59.28.3222	2200 uF	-20% 25V EL	any
C.....2	59.28.3222	2200 uF	-20% 25V EL	any
C.....3	59.28.3222	2200 uF	-20% 25V EL	any
C.....4	59.28.3222	2200 uF	-20% 25V EL	any
C.....5	59.28.3222	2200 uF	-20% 25V EL	any
C.....6	59.28.3222	2200 uF	-20% 25V EL	any
C.....7	59.28.3222	2200 uF	-20% 25V EL	any
C.....8	59.28.3222	2200 uF	-20% 25V EL	any
C.....9	. . . 0		not used	
C.....10	. . . 0		not used	
C.....11	. . . 0		not used	
C.....12	. . . 0		not used	
C.....13	59.22.5471	470 uF	-20% 16V EL	any
C.....14	59.22.8221	220 uF	-20% 63V EL	any
C.....15	59.22.5471	470 uF	-20% 16V EL	any
C.....16	59.22.5471	470 uF	-20% 16V EL	any
C.....17	59.06.0104	0.1 uF	10% 63V PE	any
C.....18	59.06.0104	0.1 uF	10% 63V PE	any
J.....1	54.25.0002		J-Buchse 2 Pol 16A AMP	
J.....2	54.25.0002		J-Buchse 2 Pol 16A AMP	
MP.....1	1.992.144.11	1 pcs	POWER CONN. PCB	St
MP.....2	1.992.144.04	0 pcs	NR.-ETIKETTE 5 * 20	St
MP.....3	54.14.7002	2 pcs	Riegelwanne	
MP.....4	54.14.7020	4 pcs	Passstift	
MP.....6	1.010.014.22	14 pcs	Nietmutter M3 * 4,5	
MP.....7	1.010.062.22	4 pcs	Nietmutter M4 * 20	
P.....1	54.14.1022		P-Leiste 30 Pol Print	
P.....2	54.14.1022		P-Leiste 30 Pol Print	

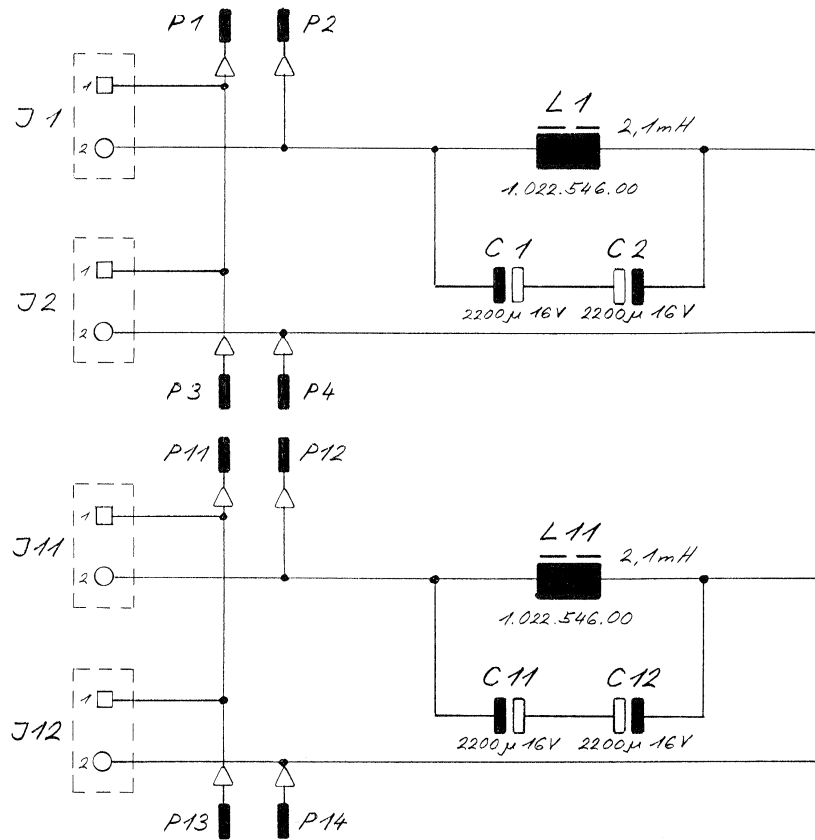
EL=Electrolytic, PE=Polyester

Manufacturer : St = Studer

1.992.144.00 POWER CONNECTOR BOARD 2A HOR91/05/1300

CHOKE 100 HZ BOARD 2A

1.992.145.00



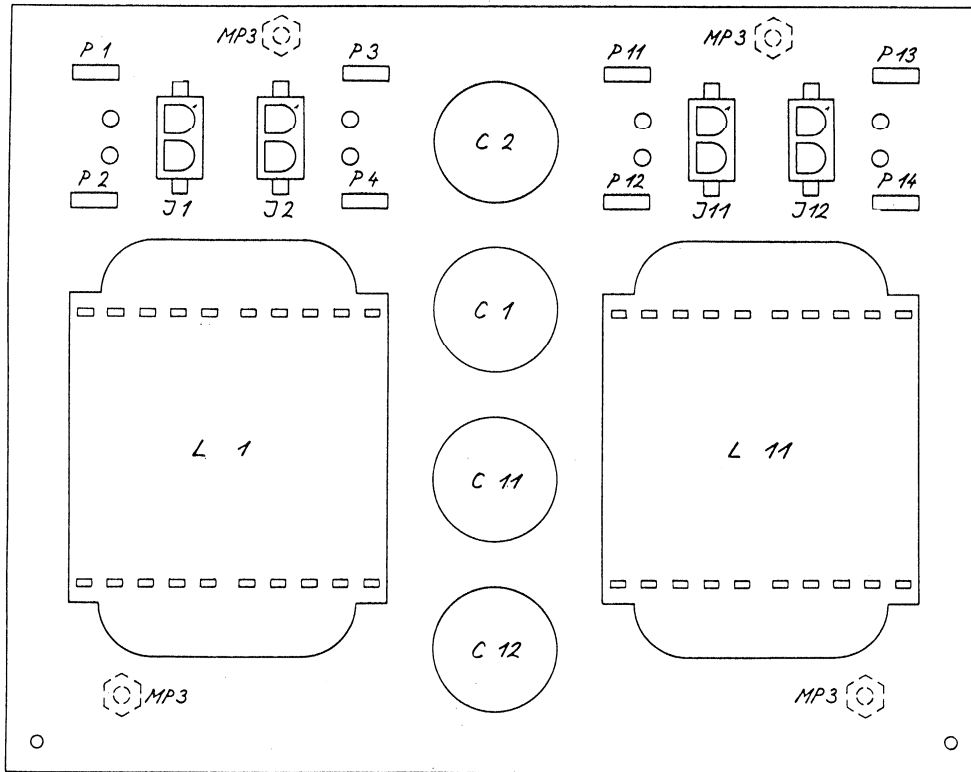
■ FASTON 6,3mm

△ HOLE Ø 2,5mm

① 21.5.91 <i>Hor</i>	○ . .	○ . .	○ . .	○ . .
				PAGE 1 OF 1
STUDER	CHOKE 100 HZ BOARD	2A	1.992.145.00	

CHOKE 100 HZ BOARD 2A

1.992.145.00



Bemerkung: Muss von Hand gelötet werden oder freibleibende Lötäugen müssen vor dem Lötbad abgedeckt werden!

Ad	POS.	REF.No.	DESCRIPTION	MANUFACTURER
C....1		59.28.2222	2200 uF 20% 16V EL	any
C....2		59.28.2222	2200 uF 20% 16V EL	any
C....11		.	not used	(see note 1)
C....12		.	not used	(see note 1)
J....1		54.25.0002	J-Buchse 2 Pol 16A AMP	
J....2		54.25.0002	J-Buchse 2 Pol 16A AMP	
J....11		.	not used	(see note 1)
J....12		.	not used	(see note 1)
L....1		1.022.546.00	2.1 mH CHOKE COIL SU39A	St
L....11		.	not used	(see note 1)
MP....1		1.992.145.11	1 pcs CHOKE 100 HZ PCB	St
MP....2		1.992.145.04	0 pcs NR.-ETIKETTE 5 * 20	St
MP....3		1.010.054.22	4 pcs Nietmutter M3 * 30,5	
P....1		54.02.0335	FASTON 6,3mm	
P....2		54.02.0335	FASTON 6,3mm	
P....3		54.02.0335	FASTON 6,3mm	
P....4		54.02.0335	FASTON 6,3mm	
P....11		54.02.0335	FASTON 6,3mm	
P....12		54.02.0335	FASTON 6,3mm	
P....13		54.02.0335	FASTON 6,3mm	
P....14		54.02.0335	FASTON 6,3mm	

NOTE 1: Bei Bedarf kann die zweite Hälfte des Print mit Drossel, Kondensatoren und Anschlusssteckern bestueckt werden. Diese Bauteile muessen separat geordert werden.
Anlieferungsstelle: KS 610.75 (Hr. Saurenmann)

WICHTIG: Baugruppe muss entweder von Hand geloetet werden, oder alle nicht benuetzten Loetaugen muessen vor dem Loetbad abgedeckt werden!

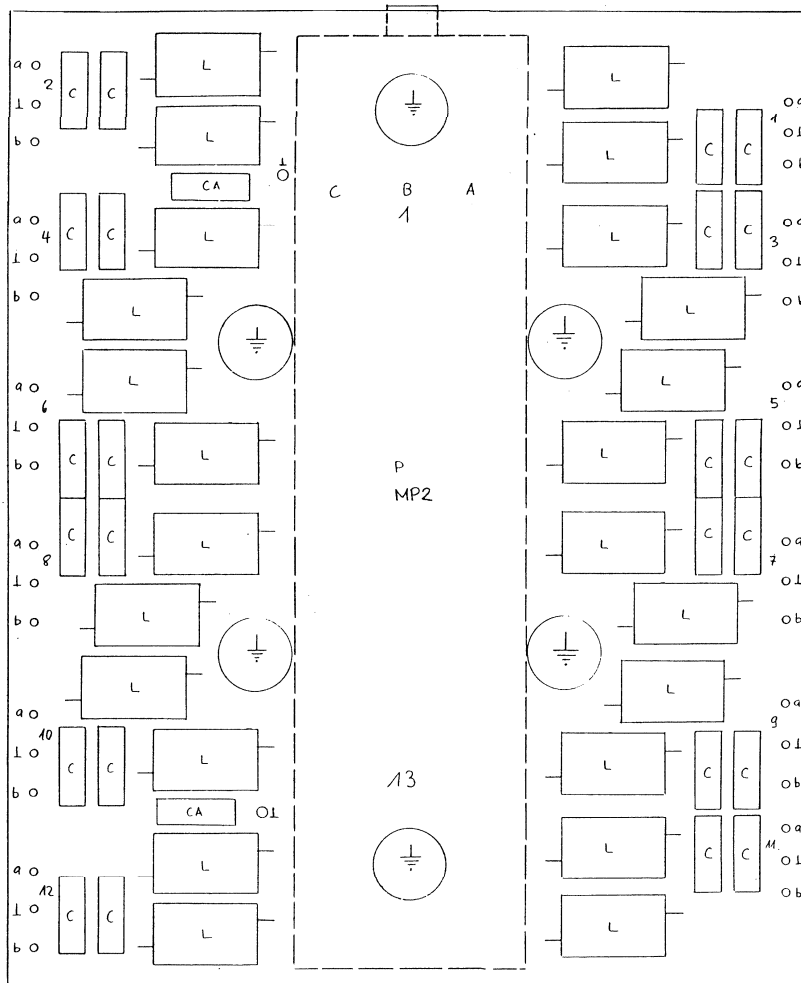
EL=Electrolytic

Manufacturer : St = Studer

1.992.145.00 CHOKE 100 HZ BOARD 2A HOR91/05/2400

RF-FILTER / CONN. BOARD

1.992.146.00



BV670
beachten

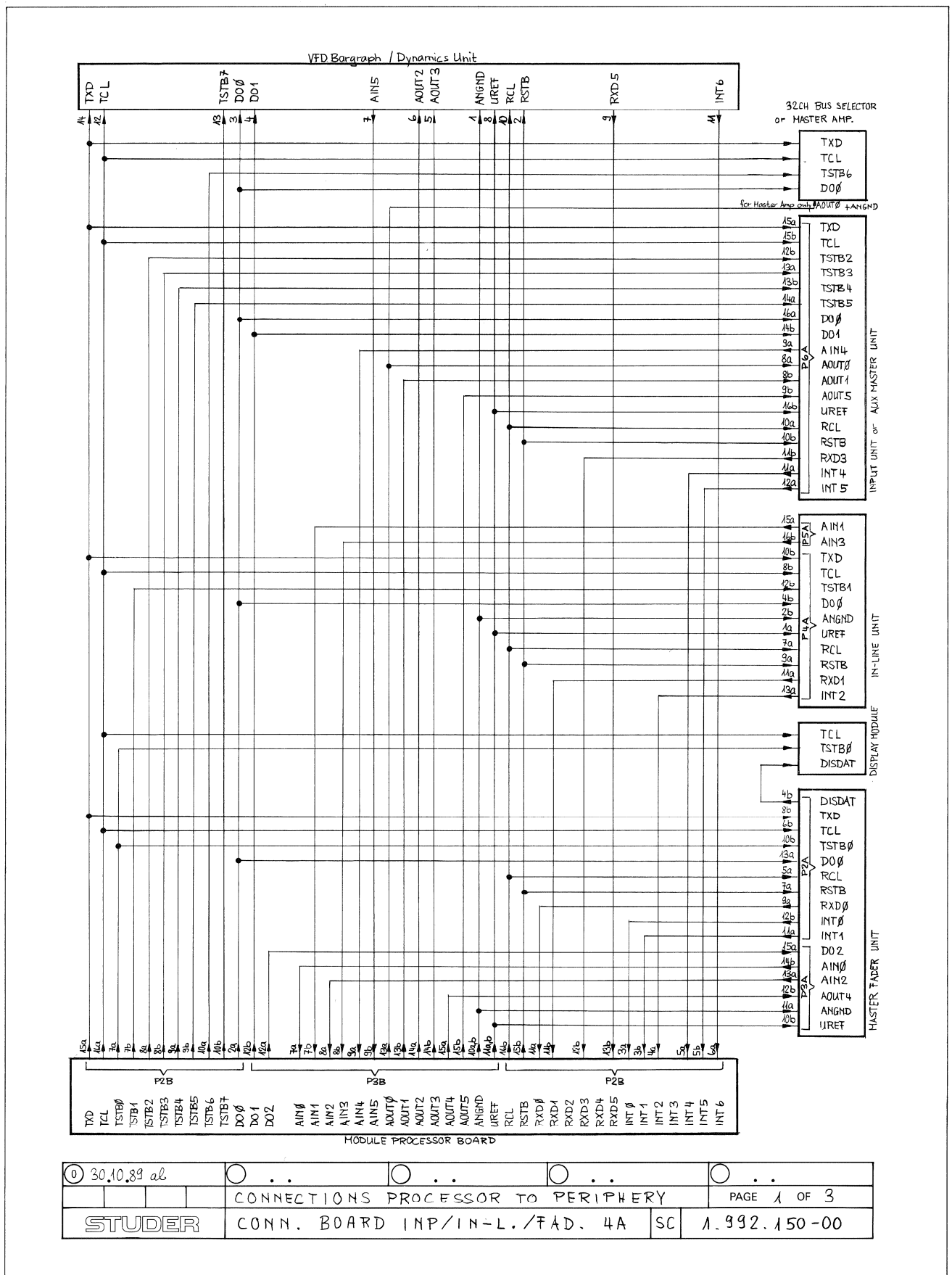
Ansicht Lötseite (Print-Nr): C, L / Bestückungsseite : Stecker, Nietmuttern
Nr - Etiketle aufgeklebt nach Fabrikationsmuster

L	62.01.0115	Breitbanddrossel	24 Stk
C	59.34.4221	220 pF	24 Stk
CA	59.06.0473	47 nF	2 Stk
P	54.14.1023	Leiste, 39 POL, Print	1 Stk
MP1	1.010.014.22	Nietmutter M3x4,5	6 Stk
MP2	54.14.7002	Riegelwanne	1 Stk
MP3	54.14.7020	Pass-Stift	1 Stk
MP4	54.14.7023	Pass-Buchse	1 Stk

© 29.4.91 my				
STUDER			RF-Filter/Conn. Board	PAGE OF 1.992.146.00

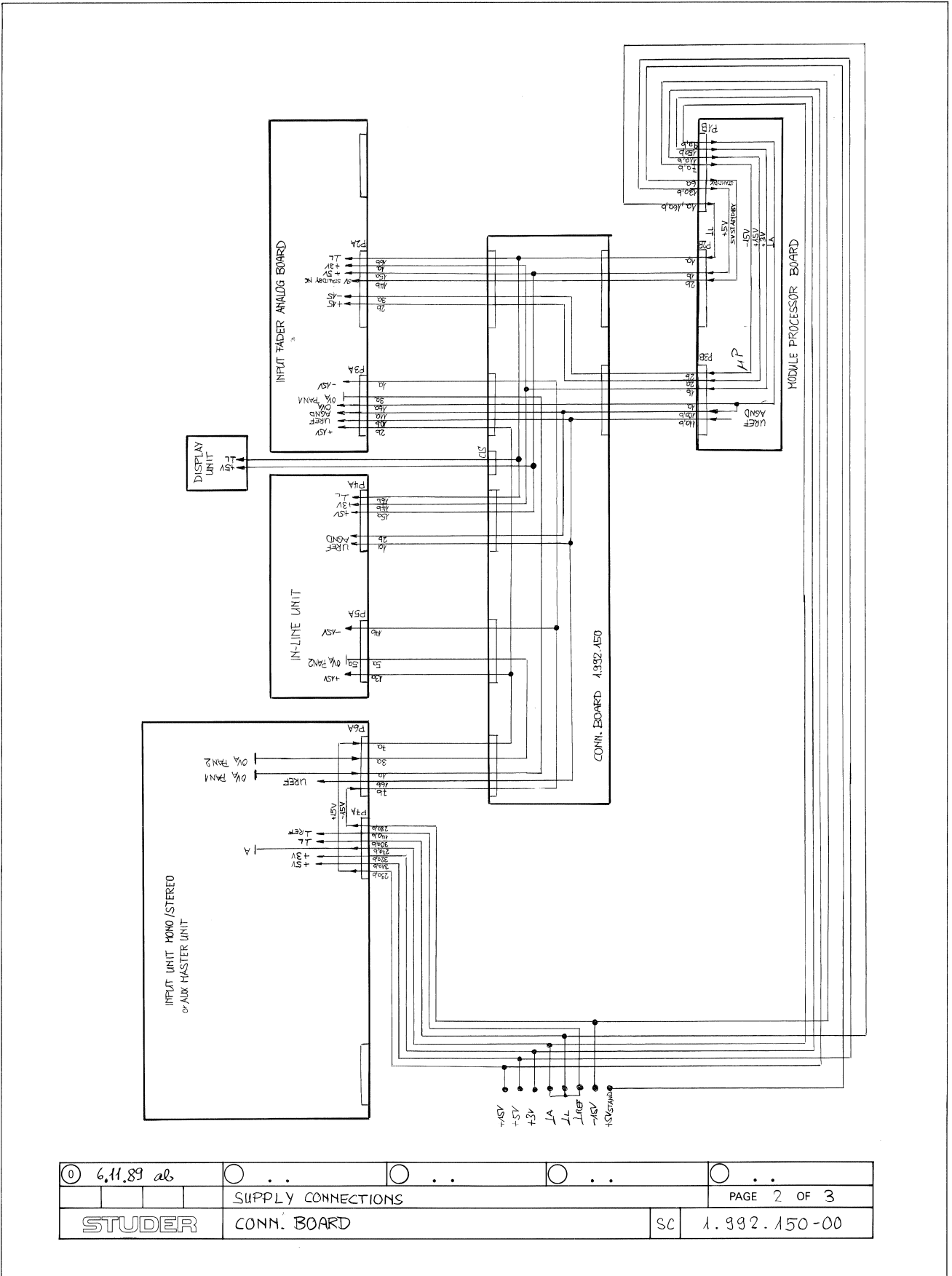
CONN. BOARD INP. / IN-L. / FAD. 4A

1.992.150.00/151.00



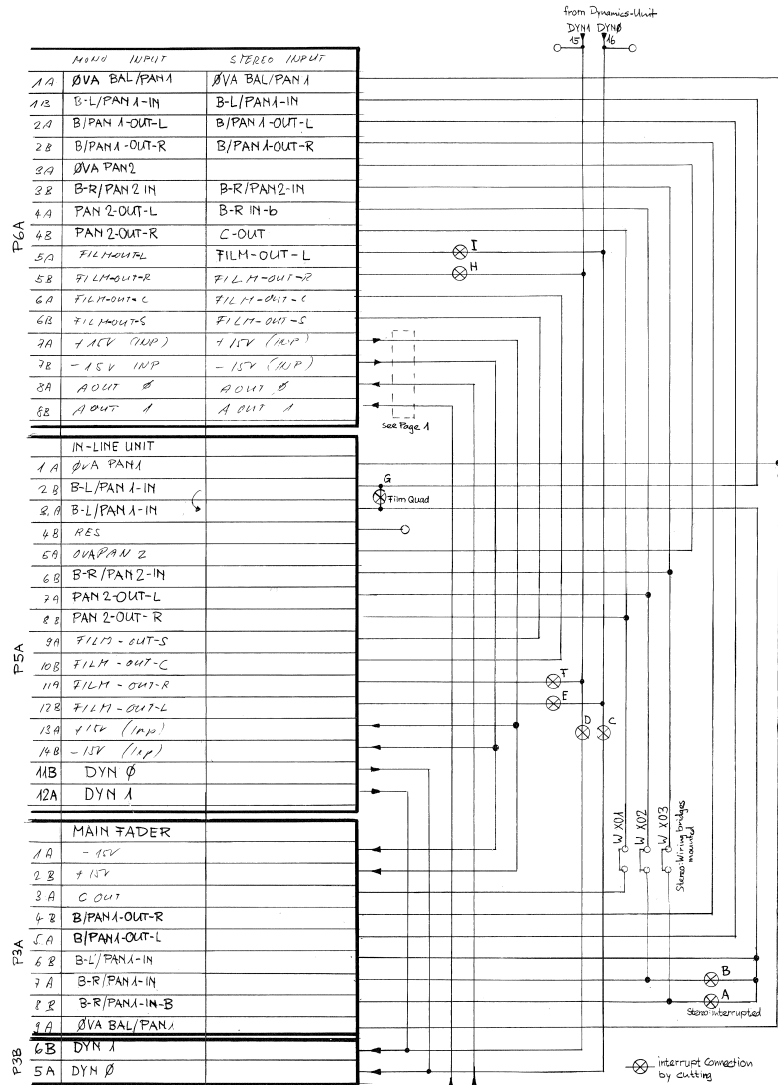
CONN. BOARD

1.992.150.00/151.00



CONNECTION INP. / IN LINE / FADER

1.992.150.00/151.00

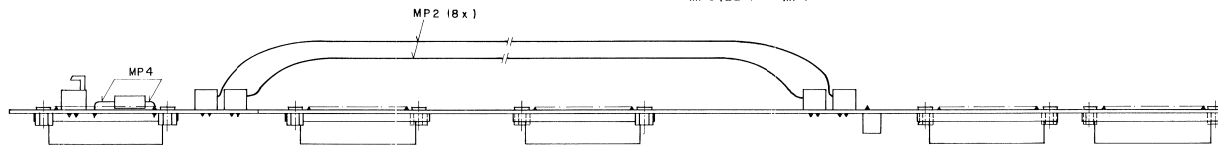
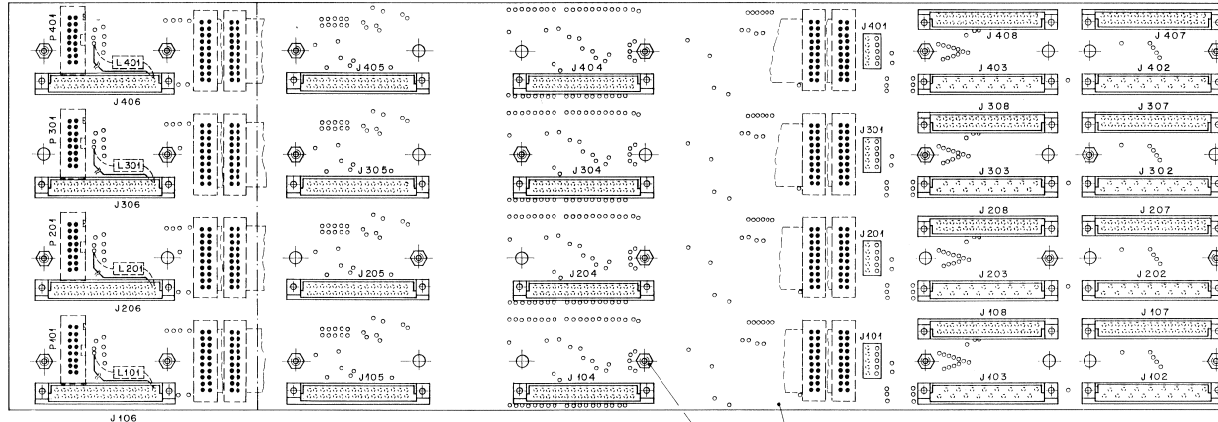


06.11.83 ac				
PART OF 1.992.150/151 AUDIO/ANALOG		PAGE 3 OF 3		
STUDER	CONNECTION INP. / In Line / Fader	SC	1.992.150-00	

CONN. BOARD INP. / IN-L. / FAD. 4A

1.992.150.00

① Leiterbahnen
auffrennen



① neu dazu L.101, L.201, L.301, L.401

STUDER REGENSDORF ZÜRICH	CONN. BOARD INP / IN-L. / FAD. 4A	Number: 1.992.150-00

Arbeitsnr.				
Datum	18.4.94	Gez.	HF	ab
Datum	17.11.89	Gez.	HF	ab
Kopie für:				

Ad .POS. .REF.No. .DESCRIPTION. .MANUFACTURER

J...101	54.01.0288	CIS female, 5 contacts to Display	
J...102	54.11.2008	Euro, 2* 8 contacts P2A	
J...103	54.11.2008	Euro, 2* 8 contacts P3A	
J...104	54.11.2014	Euro, 2*16 contacts P4A	
J...105	54.11.2014	Euro, 2*16 contacts P5A	
J...106	54.11.2014	Euro, 2*16 contacts P6A	
J...107	54.11.2014	Euro, 2*16 contacts P2B	
J...108	54.11.2014	Euro, 2*16 contacts P3B	
J...201	54.01.0288	CIS female, 5 contacts to Display	
J...202	54.11.2008	Euro, 2* 8 contacts P2A	
J...203	54.11.2008	Euro, 2* 8 contacts P3A	
J...204	54.11.2014	Euro, 2*16 contacts P4A	
J...205	54.11.2014	Euro, 2*16 contacts P5A	
J...206	54.11.2014	Euro, 2*16 contacts P6A	
J...207	54.11.2014	Euro, 2*16 contacts P2B	
J...208	54.11.2014	Euro, 2*16 contacts P3B	
J...301	54.01.0288	CIS female, 5 contacts to Display	
J...302	54.11.2008	Euro, 2* 8 contacts P2A	
J...303	54.11.2008	Euro, 2* 8 contacts P3A	
J...304	54.11.2014	Euro, 2*16 contacts P4A	
J...305	54.11.2014	Euro, 2*16 contacts P5A	
J...306	54.11.2014	Euro, 2*16 contacts P6A	
J...307	54.11.2014	Euro, 2*16 contacts P2B	
J...308	54.11.2014	Euro, 2*16 contacts P3B	
J...401	54.01.0288	CIS female, 5 contacts to Display	
J...402	54.11.2008	Euro, 2* 8 contacts P2A	
J...403	54.11.2008	Euro, 2* 8 contacts P3A	
J...404	54.11.2014	Euro, 2*16 contacts P4A	
J...405	54.11.2014	Euro, 2*16 contacts P5A	
J...406	54.11.2014	Euro, 2*16 contacts P6A	
J...407	54.11.2014	Euro, 2*16 contacts P2B	
J...408	54.11.2014	Euro, 2*16 contacts P3B	
01 L...101	42.01.0115	Wide band HF-Choke for UREF	
01 L...201	42.01.0115	Wide band HF-Choke for UREF	
01 L...301	42.01.0115	Wide band HF-Choke for UREF	
01 L...401	42.01.0115	Wide band HF-Choke for UREF	
MP...1	1.992.150.11	1 pcs Print	St
MP...2	1.023.172.48	8 pcs Flachkabel 20 pol, 0,48M	St
MP...3	1.010.034.22	22 pcs Nietmutter M3x,5	
01 MP...4	65.03.0158	100 mm Isolierschlauch	
P...101	54.14.2102	FB-Plug, 16 contacts to Meter Unit	
P...102	0	not used 54142001 10 contacts IL-Bus	
P...201	54.14.2102	FB-Plug, 16 contacts to Meter Unit	
P...202	0	not used 54142001 10 contacts IL-Bus	
P...301	54.14.2102	FB-Plug, 16 contacts to Meter Unit	
P...302	0	not used 54142001 10 contacts IL-Bus	
P...401	54.14.2102	FB-Plug, 16 contacts to Meter Unit	
P...402	0	not used 54142001 10 contacts IL-Bus	
W...101	0	not used 57113000 Wiring bridge for Stereo	
W...102	0	not used 57113000 Wiring bridge for Stereo	
W...103	0	not used 57113000 Wiring bridge for Stereo	
W...201	0	not used 57113000 Wiring bridge for Stereo	
W...202	0	not used 57113000 Wiring bridge for Stereo	
W...203	0	not used 57113000 Wiring bridge for Stereo	
W...301	0	not used 57113000 Wiring bridge for Stereo	
W...302	0	not used 57113000 Wiring bridge for Stereo	
W...303	0	not used 57113000 Wiring bridge for Stereo	
W...401	0	not used 57113000 Wiring bridge for Stereo	
W...402	0	not used 57113000 Wiring bridge for Stereo	
W...403	0	not used 57113000 Wiring bridge for Stereo	

MANUFACTURER: S=Studer

(01) 91/04/18 HF-Suppression on UREF ==> L101...L401, MP 4

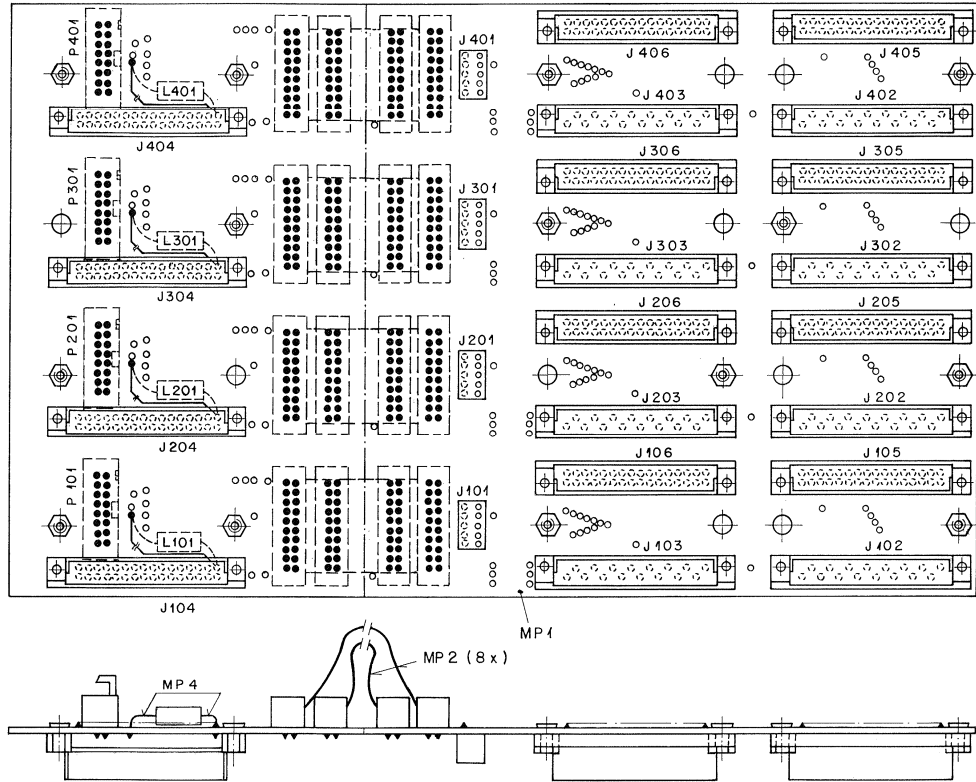
1.992.150.00 CONN. BOARD INP./IN-L./FAD. 4 AAB 89/11/1400

1.992.150.00 CONN. BOARD INP./IN-L./FAD. 4 AAB 91/04/1801

CONN. BOARD INP. / FADER 4A

1.992.151.00

① Leiterbahnen
auftrennen



① neu dazu L 101, L 201, L 301, L 401

Änderung										
18.4.91	JK	JK	JK	JK	JK	JK	JK	JK	JK	JK
17.11.89	JK	JK	JK	JK	JK	JK	JK	JK	JK	JK
Datum	Gez.	Gepr.	Ges.	Index						

Ad .POS. . . REF.No. . . DESCRIPTION MANUFACTURER

J...101	54.01.0288		CIS female, 5 contacts to Display	
J...102	54.11.2008		Euro, 2* 8 contacts P2A	
J...103	54.11.2008		Euro, 2* 8 contacts P3A	
J...104	54.11.2014		Euro, 2*16 contacts P6A	
J...105	54.11.2014		Euro, 2*16 contacts P2B	
J...106	54.11.2014		Euro, 2*16 contacts P3B	
J...201	54.01.0288		CIS female, 5 contacts to Display	
J...202	54.11.2008		Euro, 2* 8 contacts P2A	
J...203	54.11.2008		Euro, 2* 8 contacts P3A	
J...204	54.11.2014		Euro, 2*16 contacts P6A	
J...205	54.11.2014		Euro, 2*16 contacts P2B	
J...206	54.11.2014		Euro, 2*16 contacts P3B	
J...301	54.01.0288		CIS female, 5 contacts to Display	
J...302	54.11.2008		Euro, 2* 8 contacts P2A	
J...303	54.11.2008		Euro, 2* 8 contacts P3A	
J...304	54.11.2014		Euro, 2*16 contacts P6A	
J...305	54.11.2014		Euro, 2*16 contacts P2B	
J...306	54.11.2014		Euro, 2*16 contacts P3B	
J...401	54.01.0288		CIS female, 5 contacts to Display	
J...402	54.11.2008		Euro, 2* 8 contacts P2A	
J...403	54.11.2008		Euro, 2* 8 contacts P3A	
J...404	54.11.2014		Euro, 2*16 contacts P6A	
J...405	54.11.2014		Euro, 2*16 contacts P2B	
J...406	54.11.2014		Euro, 2*16 contacts P3B	
01 L...101	62.01.0115		Wide band HF-Choke for UREF	
01 L...201	62.01.0115		Wide band HF-Choke for UREF	
01 L...301	62.01.0115		Wide band HF-Choke for UREF	
01 L...401	62.01.0115		Wide band HF-Choke for UREF	
MP...1	1.992.151.11	1 pcs	Print	St
MP...2	1.023.172.48	8 pcs	Flachkabel 20 pol, 0,48M	St
MP...3	1.010.014.22	14 pcs	Nietmutter M3*4,5	
01 MP...4	65.03.0158	100 mm	Isolierschlauch	
P...101	54.14.2102		FB-Plug, 16 contacts to Meter Unit	
P...201	54.14.2102		FB-Plug, 16 contacts to Meter Unit	
P...301	54.14.2102		FB-Plug, 16 contacts to Meter Unit	
P...401	54.14.2102		FB-Plug, 16 contacts to Meter Unit	

STUDER REGENSDORF ZÜRICH	Benennung:	CONN. BOARD INP. / FADER 4 A	Nummer:	1.992.151-00
--------------------------------	------------	---------------------------------	---------	--------------

Ad	.POS.	. . . REF.No.	. . . DESCRIPTION MANUFACTURER
			W...201 . . 0 not used	57113000 Wiring bridge for Stereo
			W...202 . . 0 not used	57113000 Wiring bridge for Stereo
			W...203 . . 0 not used	57113000 Wiring bridge for Stereo
			W...301 . . 0 not used	57113000 Wiring bridge for Stereo
			W...302 . . 0 not used	57113000 Wiring bridge for Stereo
			W...303 . . 0 not used	57113000 Wiring bridge for Stereo
			W...401 . . 0 not used	57113000 Wiring bridge for Stereo
			W...402 . . 0 not used	57113000 Wiring bridge for Stereo
			W...403 . . 0 not used	57113000 Wiring bridge for Stereo

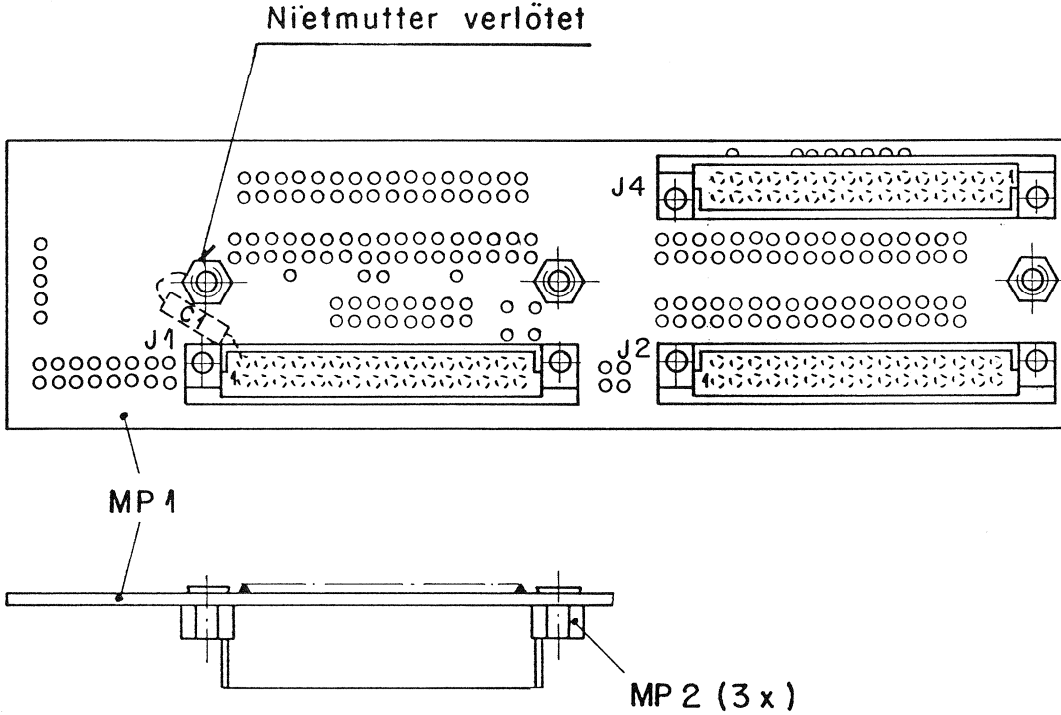
MANUFACTURER: St=Studer

(01) 91/04/18 HF-Suppression on UREF ==> L 101...L 401, MP 4

W...101	. . 0	not used	57113000 Wiring bridge for Stereo	1.992.151.00	CONN.BOARD INP./FADER 4A	AB 89/11/1400
W...102	. . 0	not used	57113000 Wiring bridge for Stereo	1.992.151.00	CONN.BOARD INP./FADER 4A	AB 91/04/1801
W...103	. . 0	not used	57113000 Wiring bridge for Stereo			

CONNECTION BOARD PROCESSOR UNIT 1A

1.992.153.00



Änderung					③
					②
Ausgabe	14.5.92	<i>WZ</i>	<i>H. Z.</i>		①
Datum	1.2.90	<i>A. H.</i>	<i>W. Z.</i>		④

① C 1 neu dazu.

STUDER REGENSDORF ZÜRICH	Benennung: CONN. BOARD PROCESSOR UNIT 1A	Nummer: 1.992.153-00

Ad	.POS.	REF.No.	DESCRIPTION	MANUFACTURER
01	C.....1	59.03.2104	0.1 uF MPETP 10% 160/250V	
	J.....1	54.11.2014	2*16 Pin Euroconnector female (HDLC-Signals left)	
	J.....2	54.11.2014	2*16 Pin Euroconnector female (Serdat-Signals left)	
	J.....3	. . . 0	not used 54.01.0288 CIS female, 5 contacts (Display)	
	J.....4	54.11.2014	2*16 Pin Euroconnector female (Serdat-Signals right)	
	J.....5	. . . 0	not used 54.11.2014 Euroconnector (Analog right)	
	MP.....1	1.992.153.11	1 pcs Print	St
	MP.....2	1.010.014.22	3 pcs Nietmuttern M3*4.5mm	St
	P.....1	. . . 0	not used 54.14.5025 solder 16pin Conn.(HDLC-Signals)	
	P.....2	. . . 0	not used 54.14.5035 solder 34pin Conn.(Serdat-Sign.)	
	P.....3	. . . 0	not used 54.14.5035 solder 34pin Conn.(Serdat-Sign.)	
	P.....4	. . . 0	not used Reserved Spare	

(01) 14.05.92 Breakdown EMV-Test. Additional C 1 (100nF) between chassis and HDLC-resetline.

MANUFACTURER: St=Studer
 1.992.153.00 CONN.BOARD PROCESSOR UNIT 1A AB 90/01/0800
 1.992.153.00 CONN.BOARD PROCESSOR UNIT 1A AB 92/05/1401