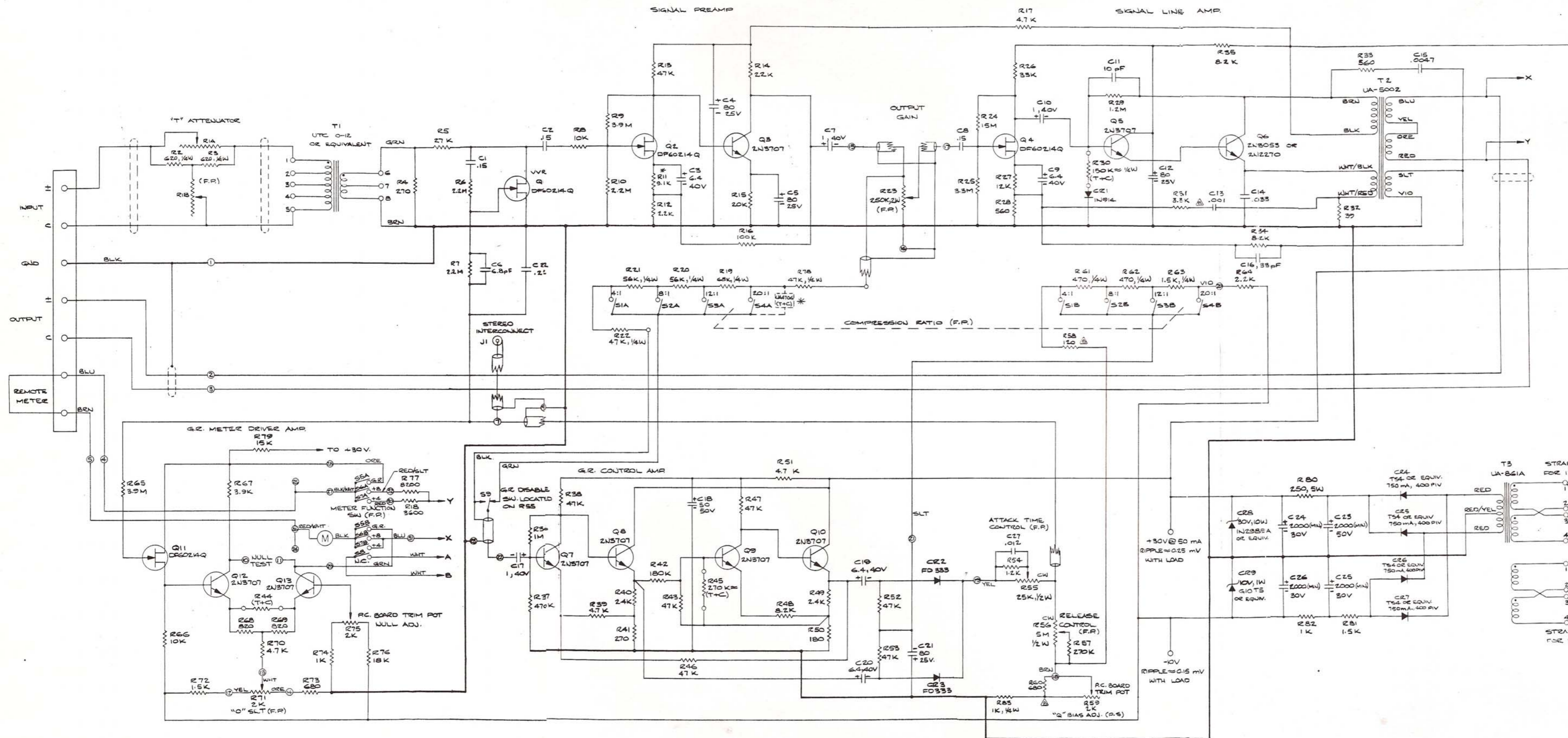
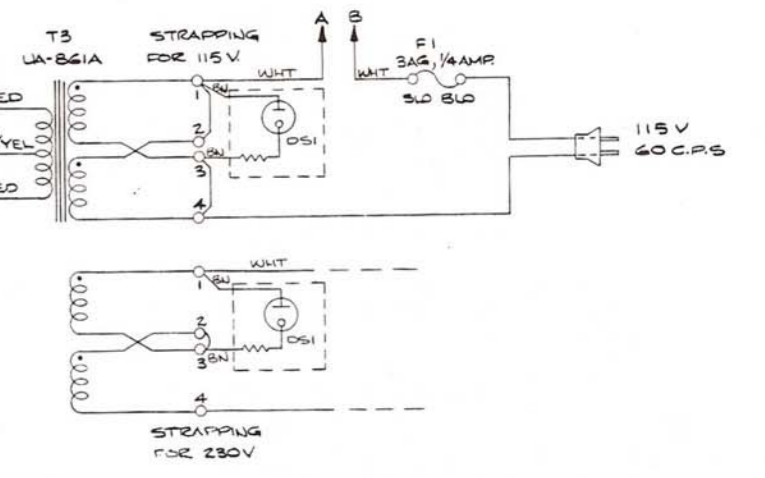


REVISIONS		
SYM	DESCRIPTION	DATE
A	REVISED TO DATE	1/10/67
B	CIRCUIT REVISED	1/20/67



- NOTES:
- Q5 & 6 - MATCHED TO LOW & HIGH H.F.E.
  - Q7, 8 & 10 - H.F.E. 250 OR ABOVE
  - Q12 & 13 - IDENTICAL H.F.E. ±10%
2. UNLESS OTHERWISE NOTED:  
 ALL RESISTORS VALUES IN OHMS, 1/2W, 5%  
 ALL CAPACITORS VALUES IN MICROFARADS.  
 ALL SWITCHES NORMALLY OPENED.
3. PARTS LOCATED AT FRONT PANEL ARE MARKED F.P.
4. LINE VOLTAGE GAUGES: 100V - 130V  
 200V - 240V
5. PARTS LAST OMITTED
- R C27  
 R C28  
 Q Q13
- \* 6. PARTS TO BE USED ON UNITS SERIAL No. 150 AND UP ONLY. (R11 & PART No. UA4704).



EFFECTIVE SERIAL No. 125 & SUBSEQUENT

UNIVERSAL AUDIO DIV.  
 STUNTO ELECTRONICS CORP.  
 11222 VALERIO ST.  
 NO. HOLLYWOOD, CALIF. 91605

SOLID STATE  
 LIMITING AMPLIFIER  
 MODEL 1176

R-10743