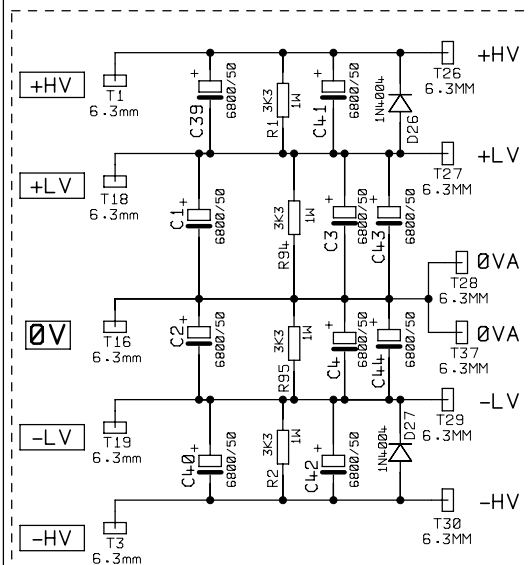
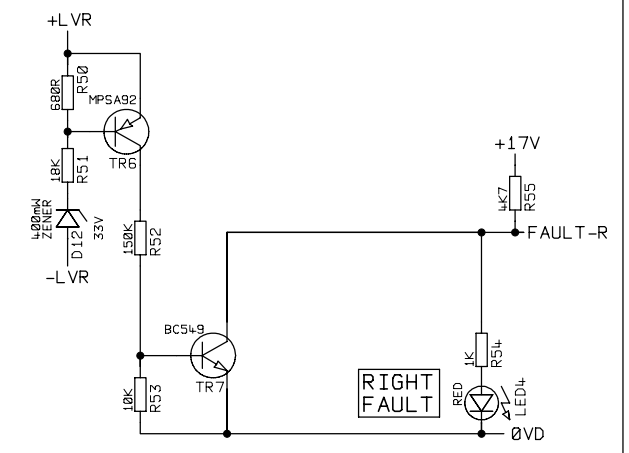
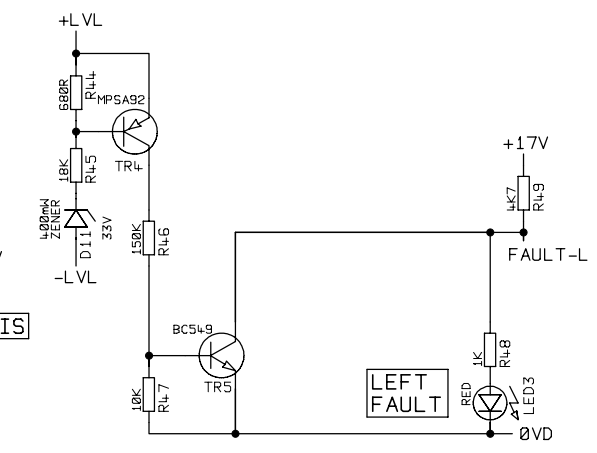
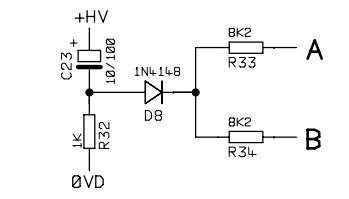
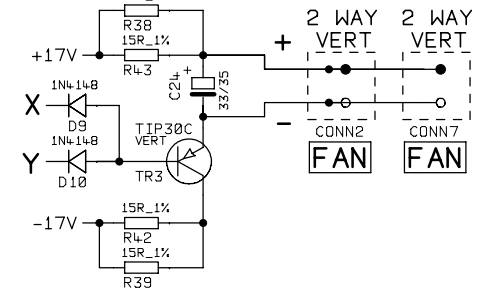
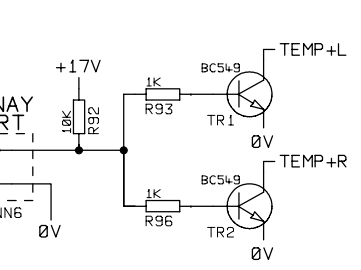
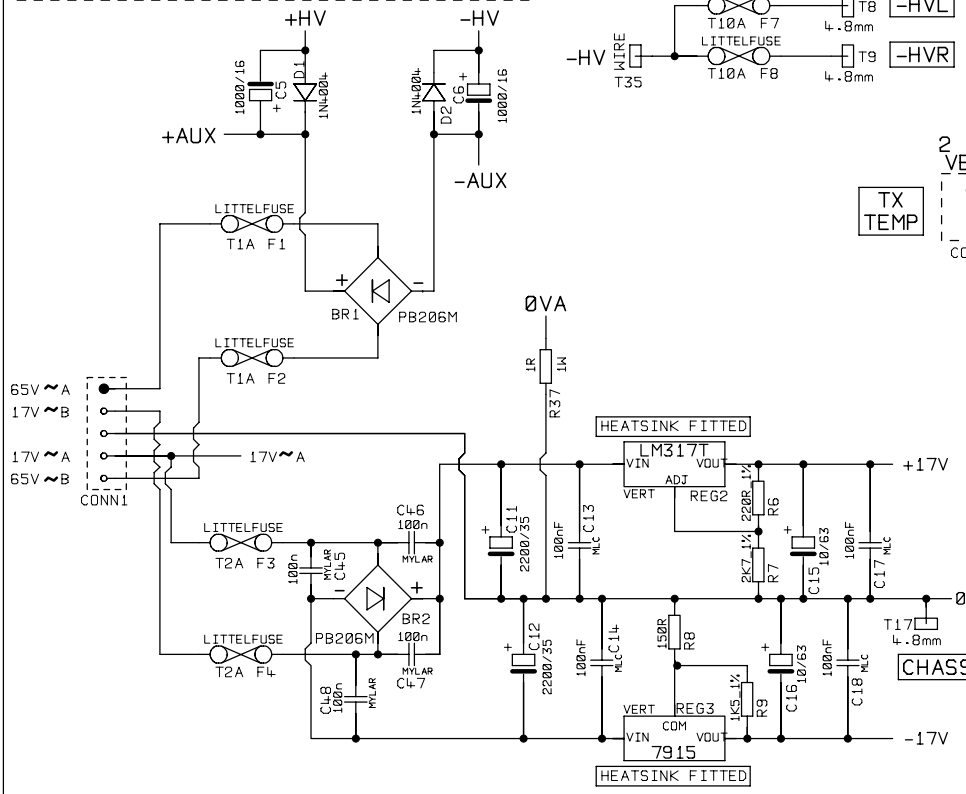
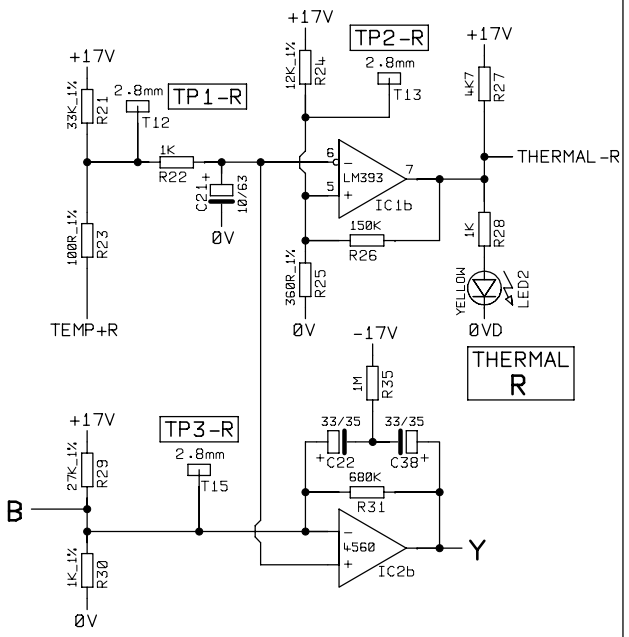
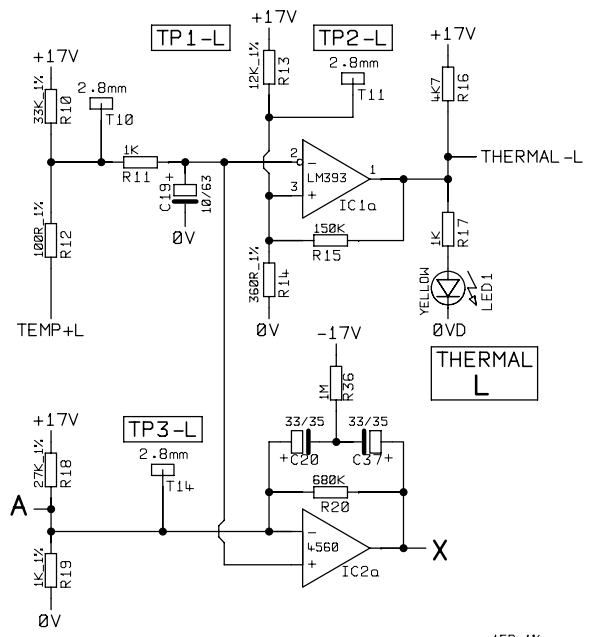
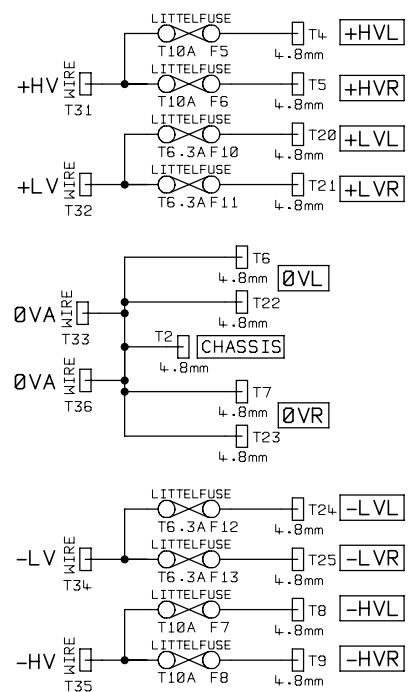


NOTE: JUMPER POSITION JP1 IS MARKED IN FACTORY PRESET POSITION (1500E/2000E)
 NOTE: * = FIT COMPONENTS ON 12 & 1600D VERSION ONLY
 NOTE: # = FIT LINK IN POSITIONS C1 & C4 ON 1600D/2000E VERSION ONLY
 NOTE: # = FIT COMPONENTS R5 & R12 (5K6) ON 1600D/2000E VERSION ONLY

STUDIOMASTER DIAMOND LTD		TITLE		DISPLAY PCB CIRCUIT		FILE NAME	
PRODUCT		700D, 1200D, 1600D		PART 1 OF 1		R2C15-2.DGM	
		900E, 1500E, 2000E		DRN BY		P.A. DATE 18-07-97	
						ISSUE No	
						R2C15-2	

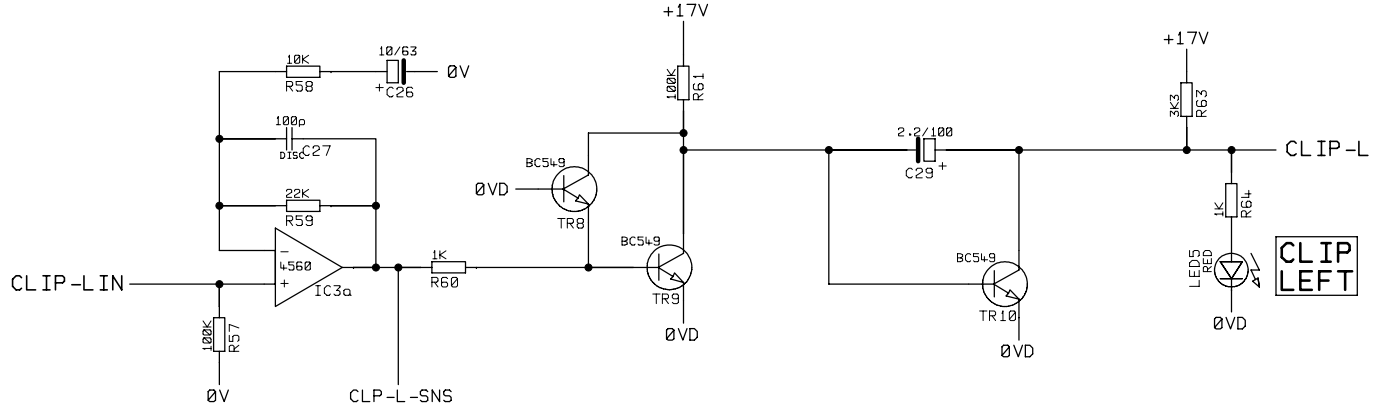
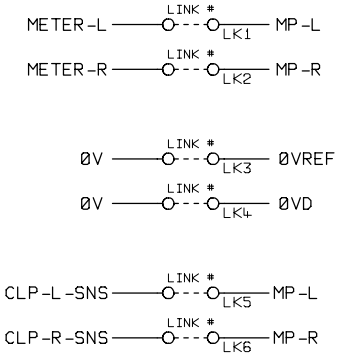
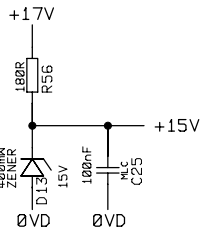


LOCATED ON SUB BOARD



REV A - R14 & R25 CHANGED FROM 430R_1% TO 360R_1%
R13 & R24 CHANGED FROM 15K_1% TO 12K_1%

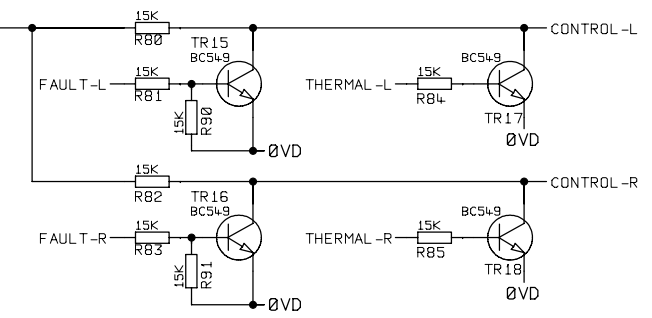
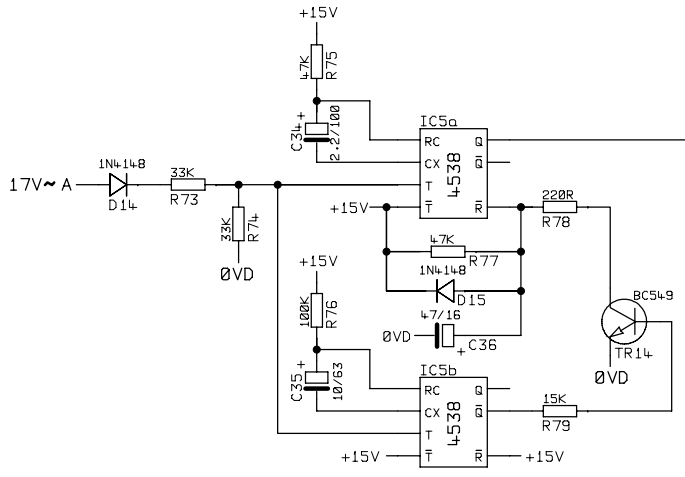
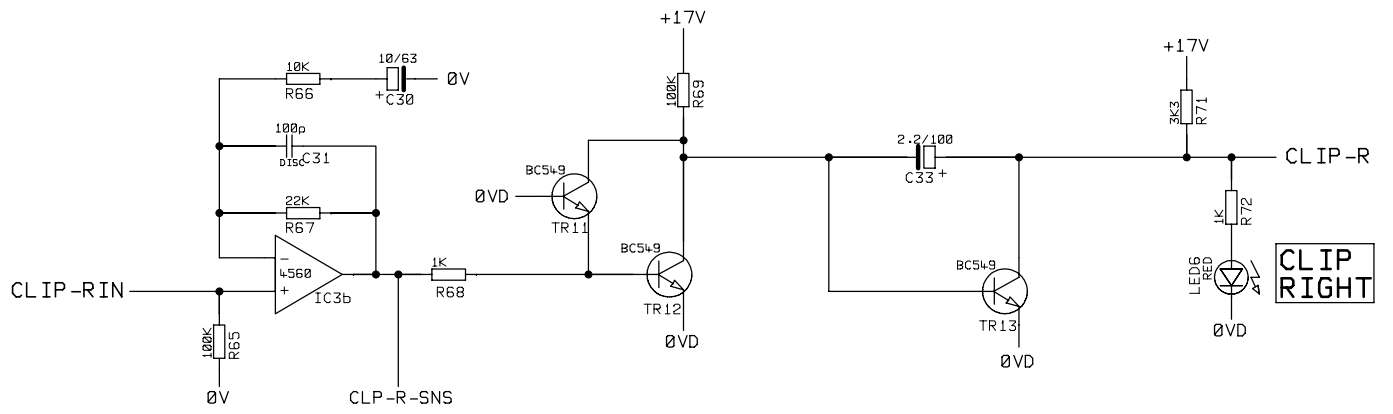
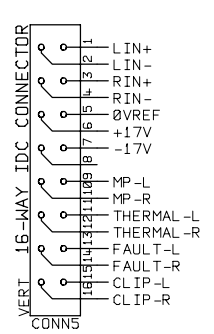
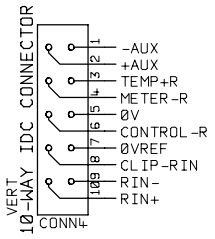
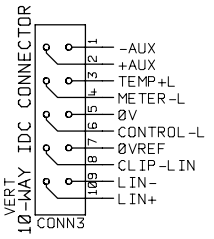
STUDIOMASTER DIAMOND LTD		TITLE		AMPLIFIER PSU CIRCUIT		FILE NAME	
PRODUCT		PART 1 OF 2		R2C20A-2.DGM		ISSUE No	
VERSIONS		DRN BY		P.A.		DATE	
						22-09-99	
						R2C20A-2	
						REV A	



TO LEFT AMP

TO RIGHT AMP

TO IN-OUT BOARD



STUDIOMASTER DIAMOND LTD

TITLE AMPLIFIER PSU CIRCUIT

FILE NAME R2C20B-2.DGM

PRODUCT 1600D 2000E

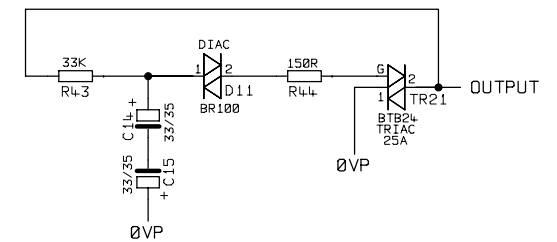
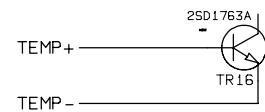
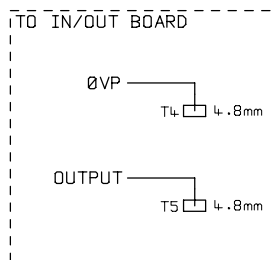
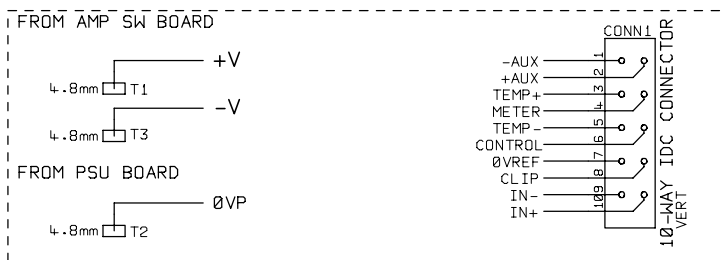
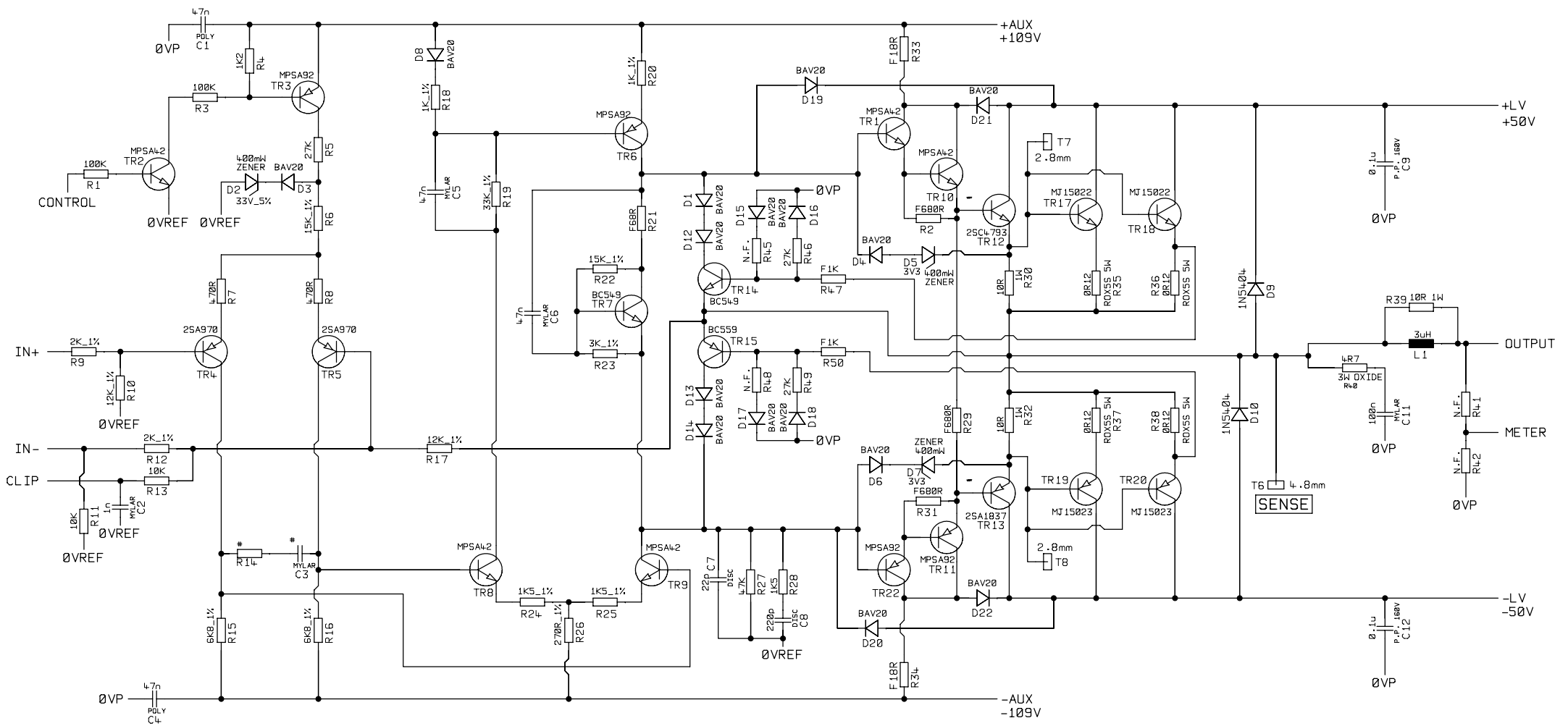
PART 2 OF 2

ISSUE No R2C20B-2

VERSIONS

DRN BY P.A. DATE 22-09-99

REV A

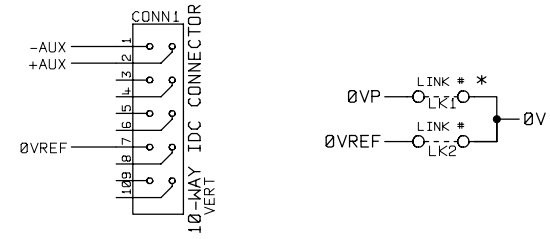
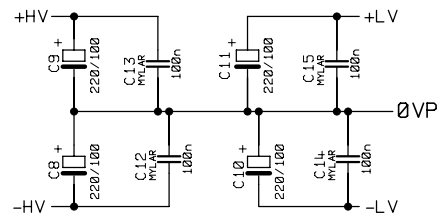
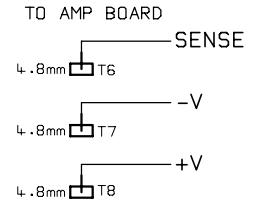
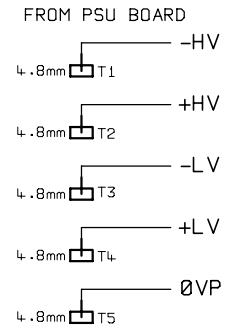
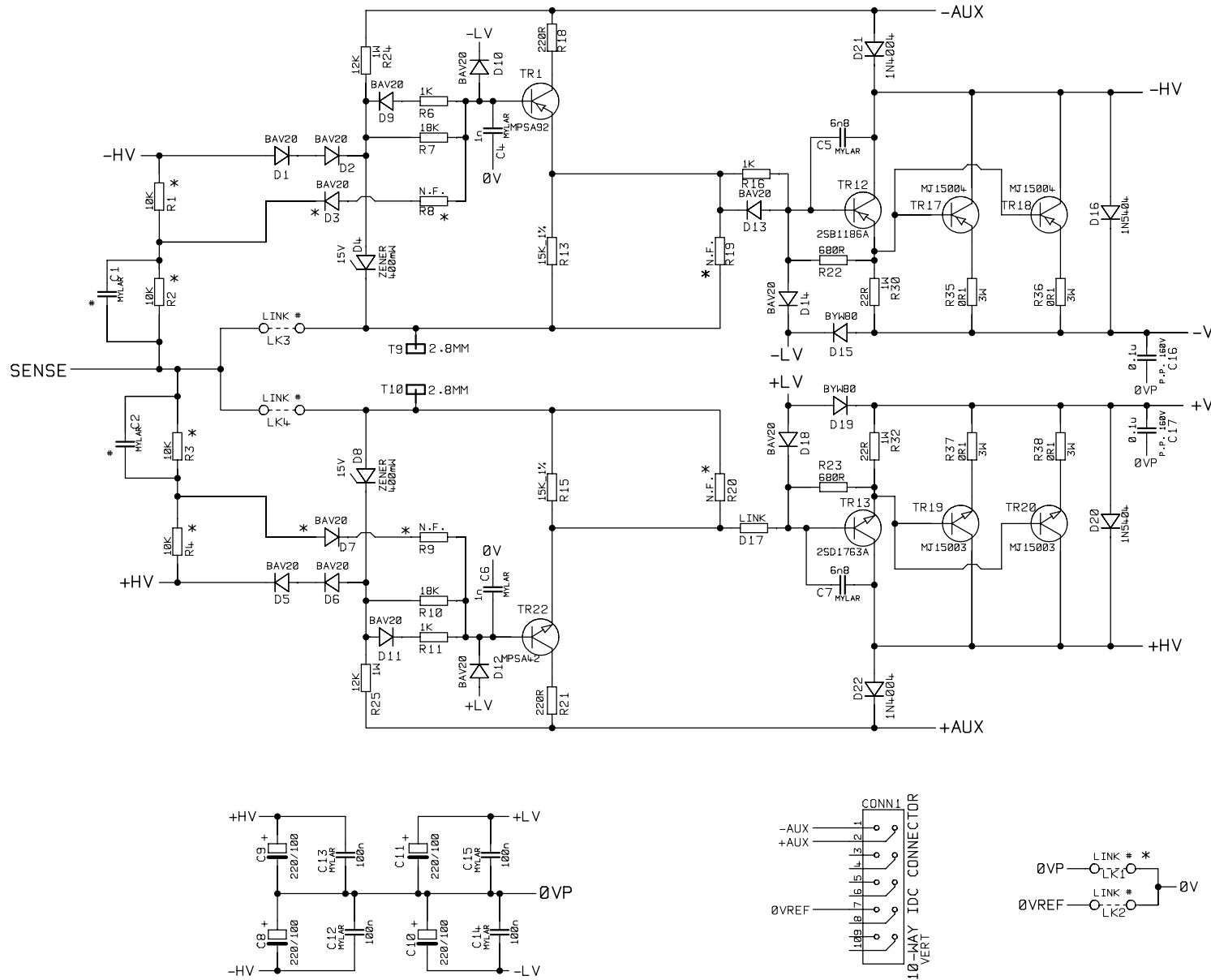


NOTE: VOLTAGES MEASURED AT 230V A.C.

REV1 = R45, R48 39K 5% REMOVED
 R47, R50 CHANGED FROM 220R 5% TO 220R 5% FUSIBLE
 R2, R31 CHANGED FROM 680R 5% TO 680R 5% FUSIBLE

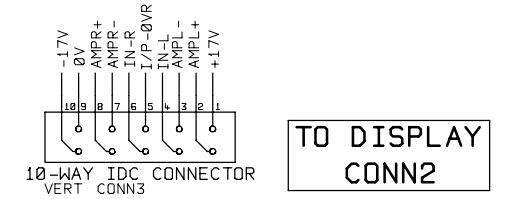
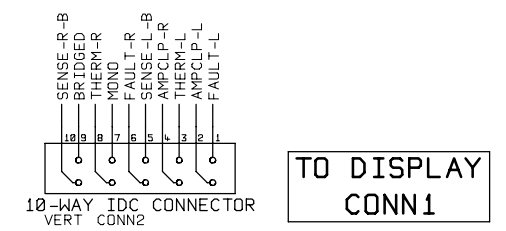
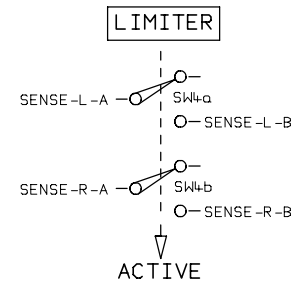
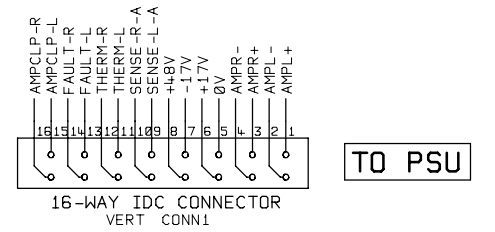
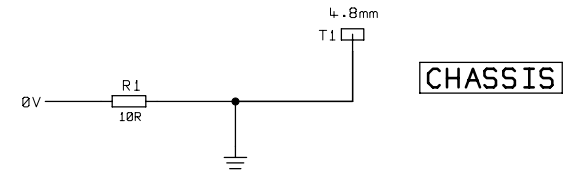
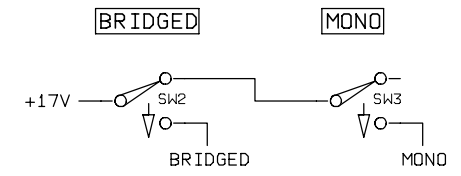
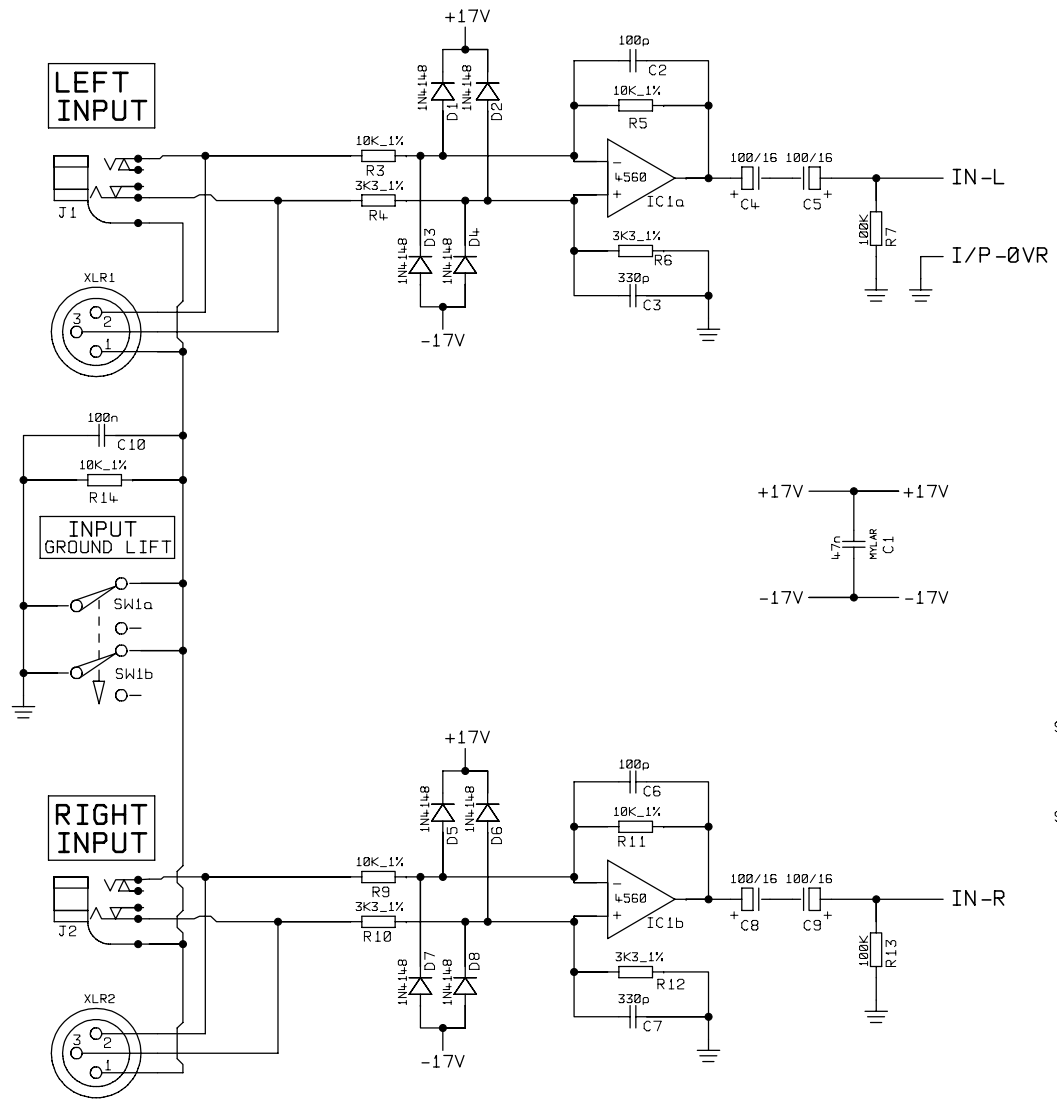
REV2 = 2000E ADDED TO RANGE, R46&R49 CHANGED FROM 4K7_1% TO 27K
 R47&R50 CHANGED FROM F220R TO F1K (FUSIBLE)
 R35, R36, R37, R38 CHANGED FROM 0R15 ROX55 TO 0R12 ROX55

STUDIOMASTER DIAMOND LTD		TITLE		AMPLIFIER AMP CIRCUIT		FILE NAME		R2C21-1.DGM	
PRODUCT		1600D 2000E		PART 1 OF 1		ISSUE No		R2C21-1	
VERSIONS				DRN BY		P.A.		DATE	
								06-09-99	
								REV2	



* = NOT FITTED COMPONENTS

STUDIOMASTER DIAMOND LTD		TITLE	AMP SWITCHING CIRCUIT		FILE NAME	R2C22-P.DGM
PRODUCT	1600D 2000E	PART 1 OF 1			ISSUE No	R2C22-P
VERSIONS		DRN BY	P.A.	DATE	06-01-97	REV A



4 = LIMITER SWITCH SW4 RE-LABELLED WITH SENSE-L / SENSE-R
WAS AMPCLP-L / AMPCLP-R

STUDIOMASTER DIAMOND LTD		TITLE		INPUT CIRCUIT DIAGRAM		FILE NAME	
PRODUCT		700D, 1200D, 1600D		PART 1 OF 1		R2C14-4.DGM	
		900E, 1500E, 2000E		DRN BY		ISSUE No	
				P.A.		DATE	
						25-01-99	
						R2C14-4	