

0dB_r = +4dB_u

STUDIOMASTER DIAMOND LTD

TITLE

RIGHT OUTPUT BOARD

FILE NAME
R6C4A-1.DGM

PRODUCT PR02 (R6)

PART 1 OF 2

ISSUE No
9603034-1

VERSIONS

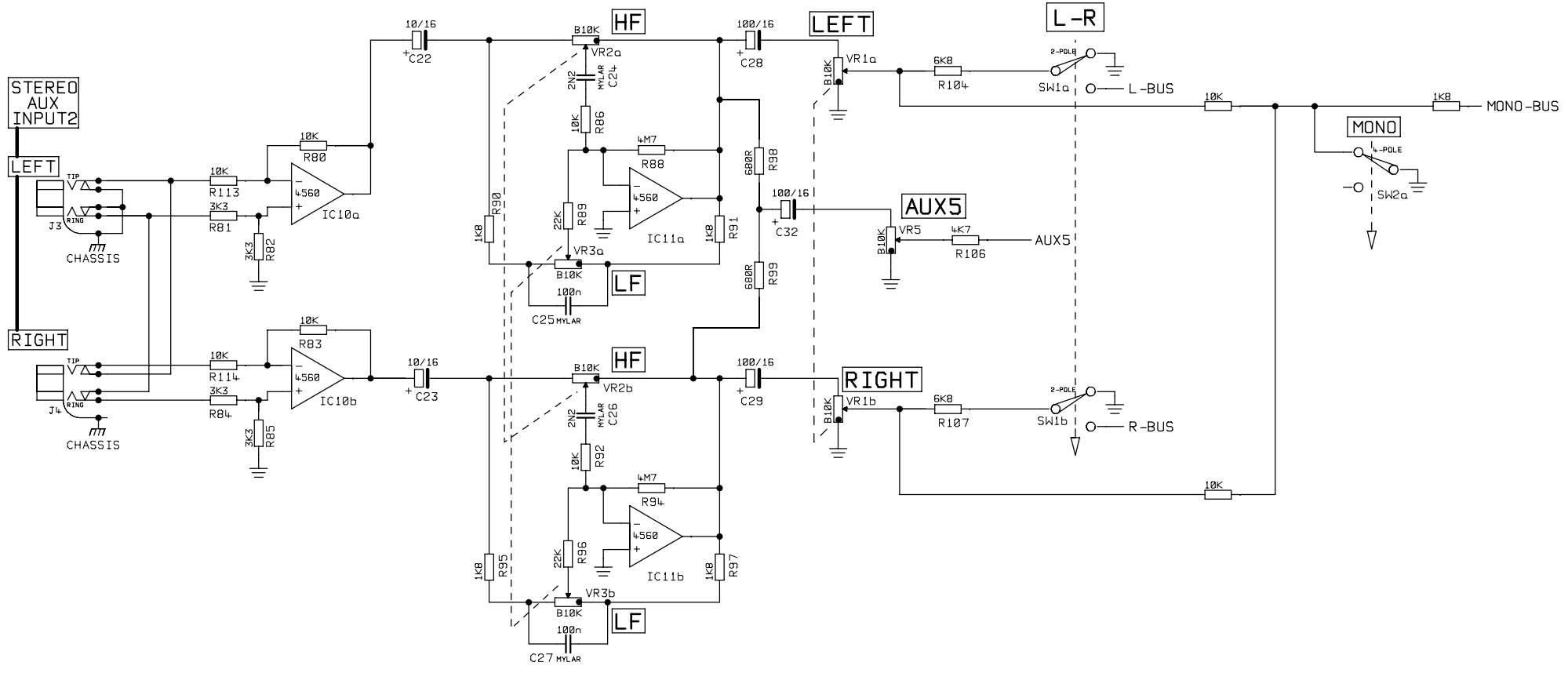
DRN BY

P.A.

DATE

26-02-97

PCBUSU72



STUDIOMASTER DIAMOND LTD		TITLE	RIGHT OUTPUT BOARD		FILE NAME	R6C4B-1.DGM	
PRODUCT	PR02 (R6)	PART 2 OF 2			ISSUE No	9603034-1	
VERSIONS		DRN BY	P.A.	DATE	26-02-97		PCBUSU72