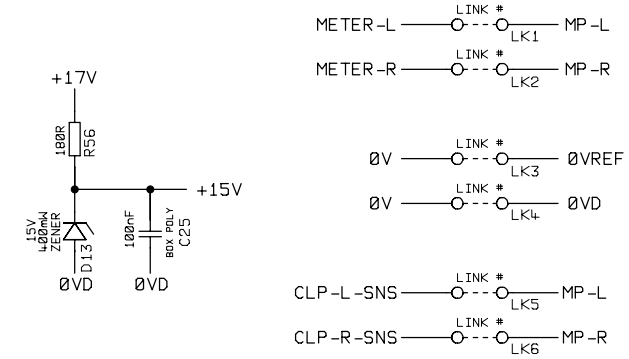


NOTE: ALL VOLTAGES MEASURED WITH 230V/115V A.C.

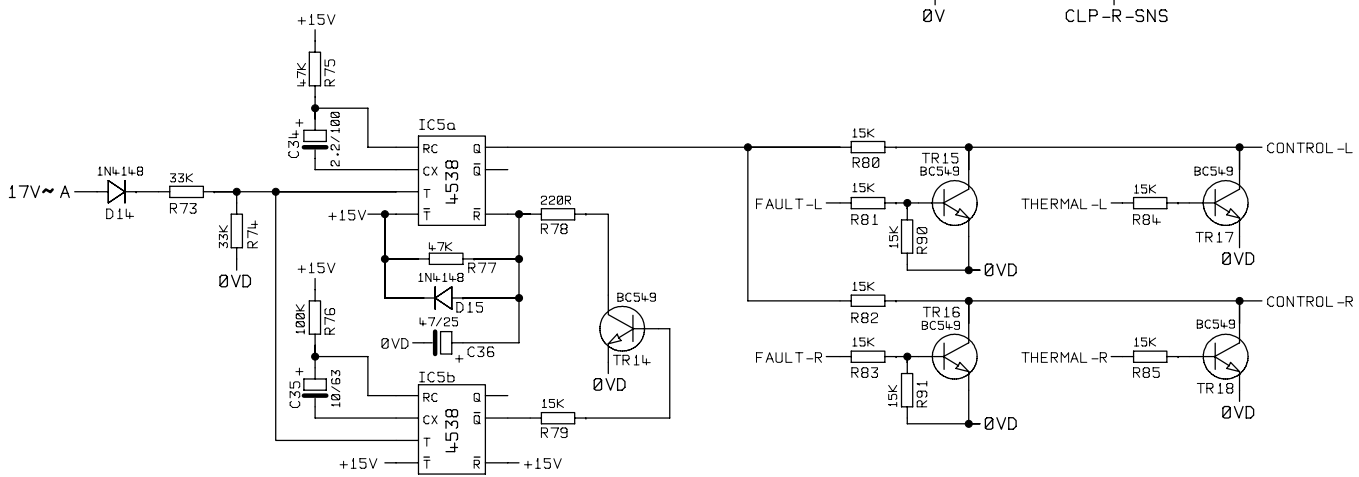
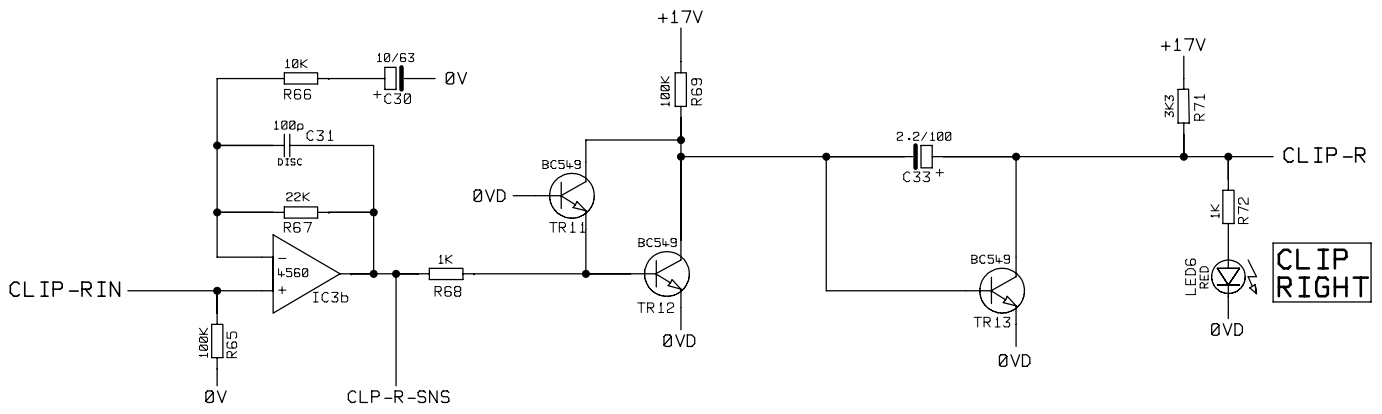
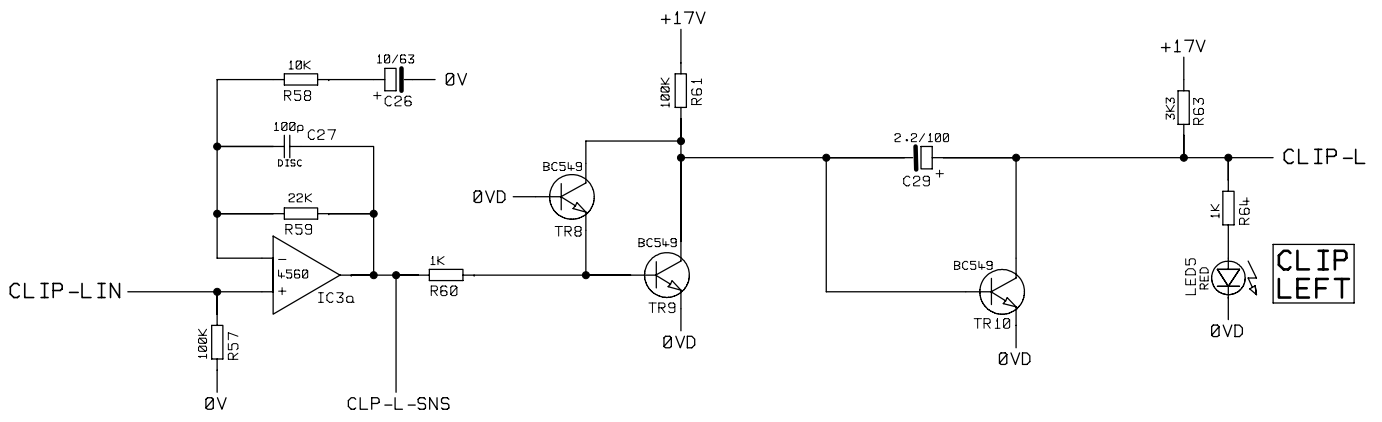
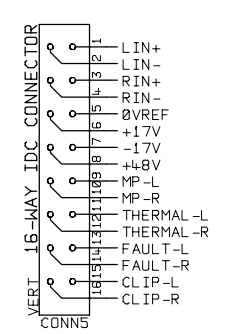
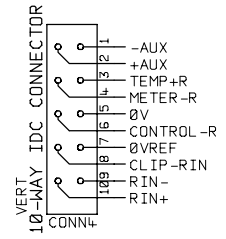
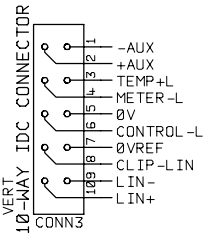
|                          |                     |             |                       |      |             |
|--------------------------|---------------------|-------------|-----------------------|------|-------------|
| STUDIOMASTER DIAMOND LTD |                     | TITLE       | AMPLIFIER PSU CIRCUIT |      | FILE NAME   |
| PRODUCT                  | VISION. FOCUS. 700D | PART 1 OF 2 |                       |      | R2C1C-4.DGM |
| VERSIONS                 | ALL                 | 900E        | DRN BY                | P.B. | DATE        |
|                          |                     |             |                       |      | 09-06-99    |
|                          |                     |             |                       |      | ISSUE No    |
|                          |                     |             |                       |      | R2C1C-4     |



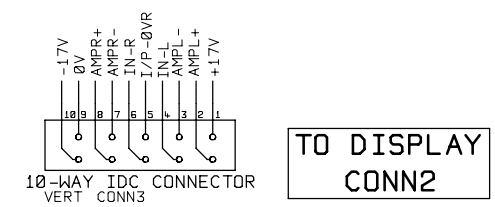
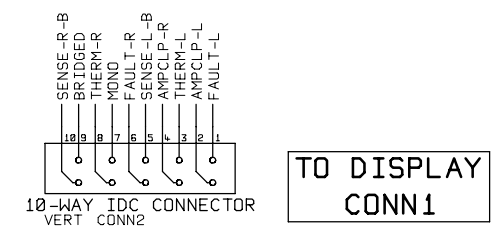
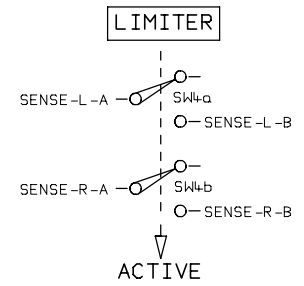
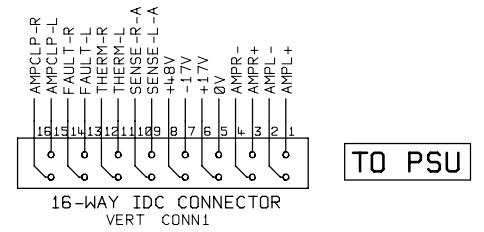
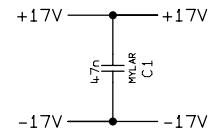
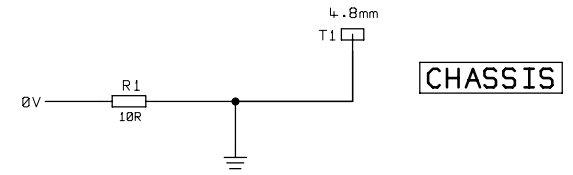
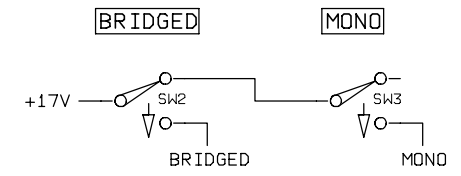
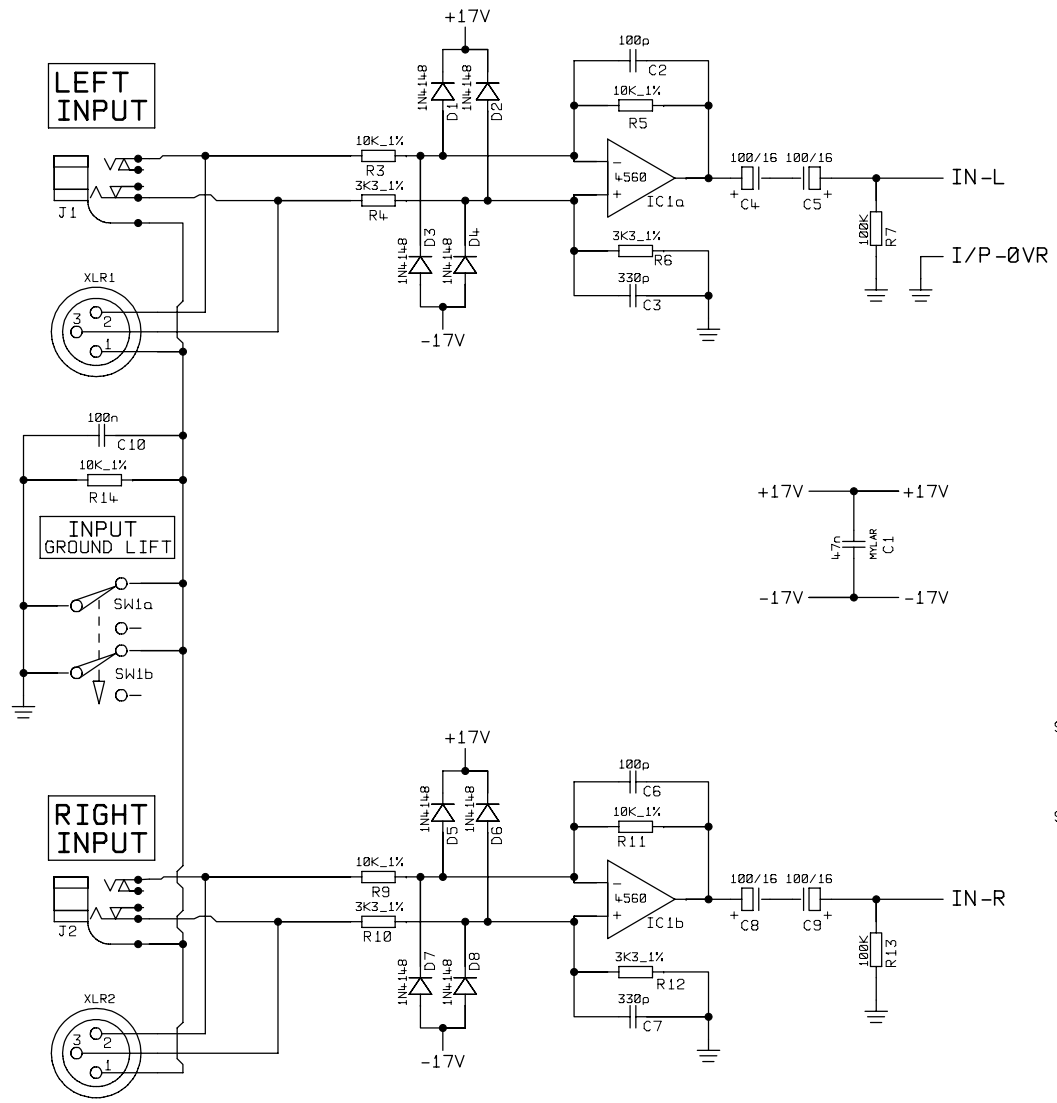
TO LEFT AMP

TO RIGHT AMP

TO IN-OUT BOARD

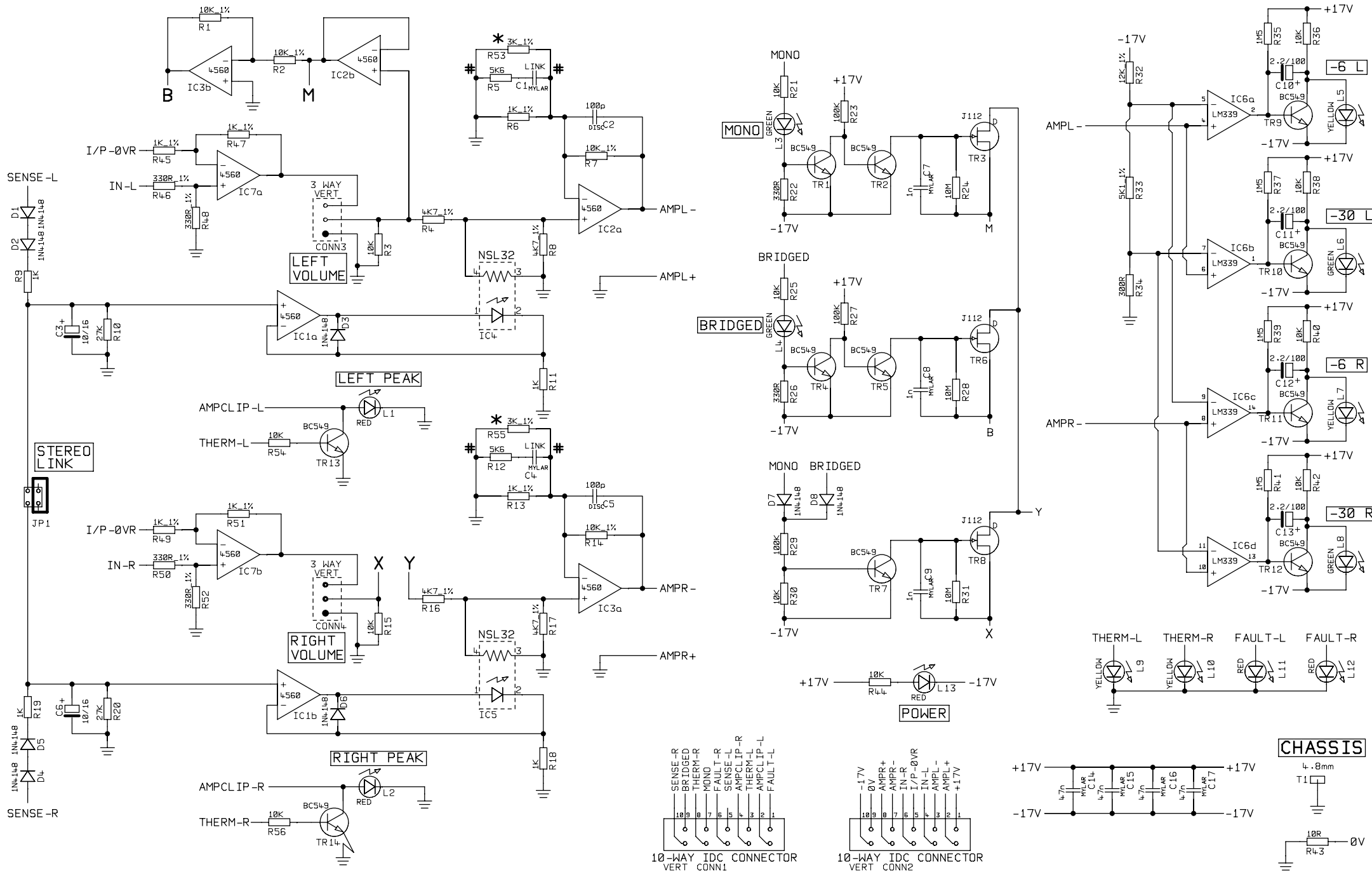


|                          |                     |             |                       |      |           |             |  |
|--------------------------|---------------------|-------------|-----------------------|------|-----------|-------------|--|
| STUDIOMASTER DIAMOND LTD |                     | TITLE       | AMPLIFIER PSU CIRCUIT |      | FILE NAME | R2C1D-4.DGM |  |
| PRODUCT                  | FOCUS, VISION, 700D | PART 2 OF 2 |                       |      | ISSUE No  | R2C1D-4     |  |
| VERSIONS                 | ALL                 | 900E        | DRN BY                | P.B. | DATE      | 03-06-99    |  |



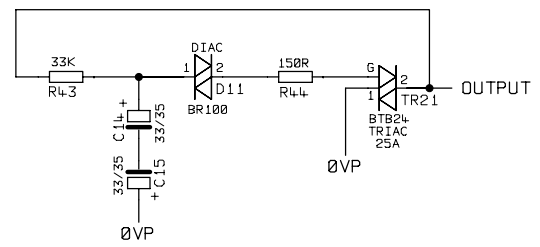
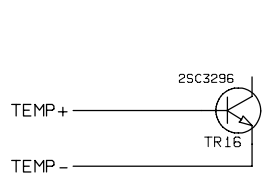
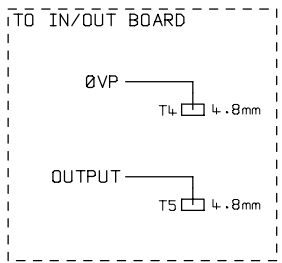
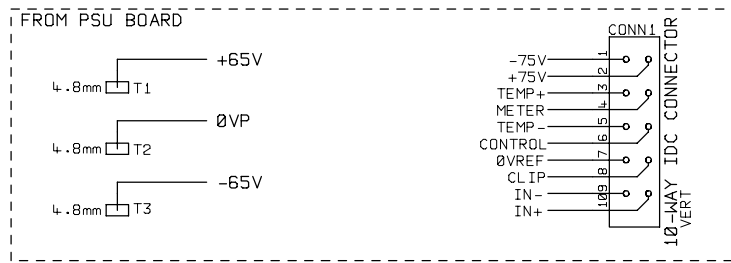
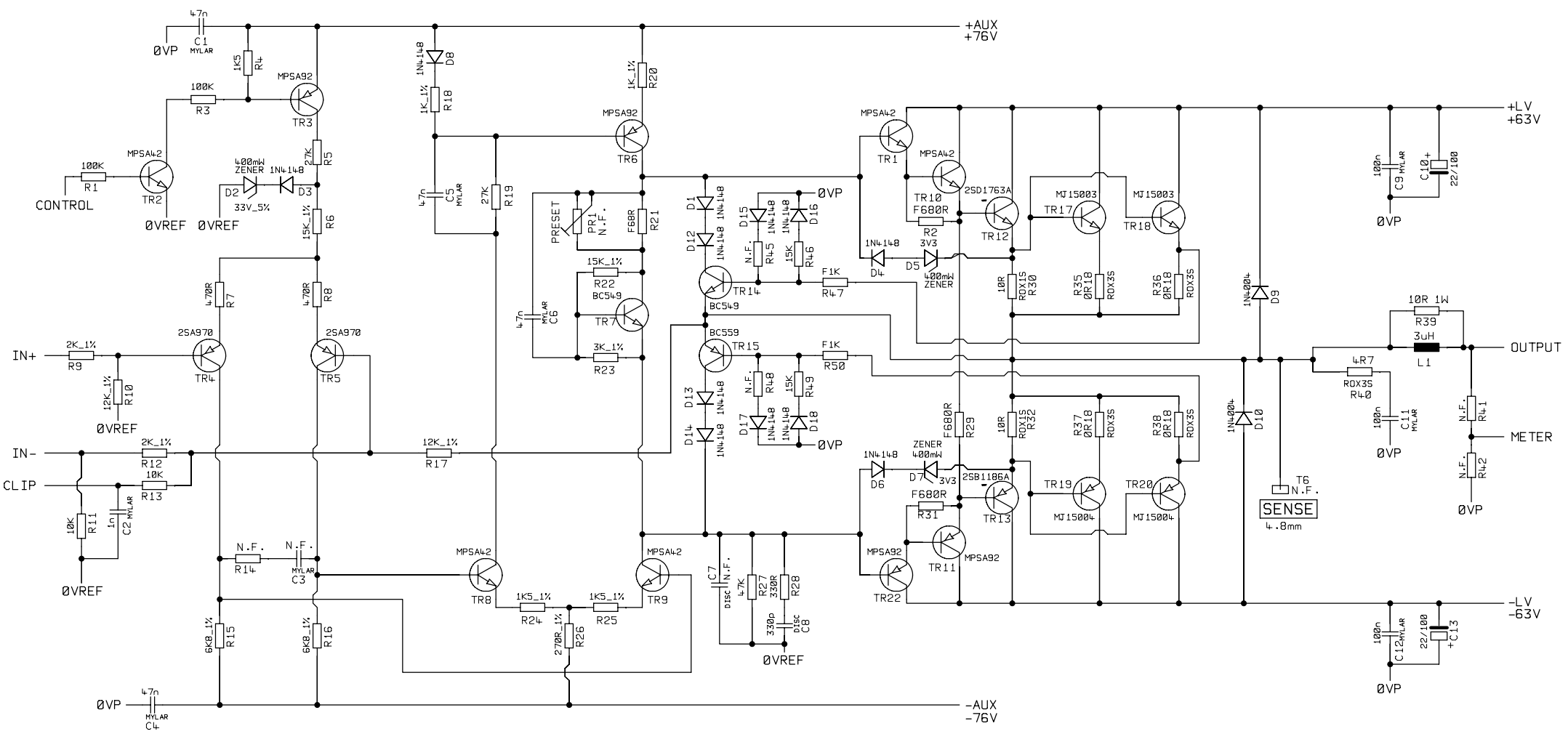
4 = LIMITER SWITCH SW4 RE-LABELLED WITH SENSE-L / SENSE-R  
WAS AMPCLP-L / AMPCLP-R

|                          |  |                    |  |                       |  |             |  |
|--------------------------|--|--------------------|--|-----------------------|--|-------------|--|
| STUDIOMASTER DIAMOND LTD |  | TITLE              |  | INPUT CIRCUIT DIAGRAM |  | FILE NAME   |  |
| PRODUCT                  |  | 700D, 1200D, 1600D |  | PART 1 OF 1           |  | R2C14-4.DGM |  |
|                          |  | 900E, 1500E, 2000E |  | DRN BY                |  | ISSUE No    |  |
|                          |  |                    |  | P.A.                  |  | R2C14-4     |  |
|                          |  |                    |  | DATE                  |  | 25-01-99    |  |



NOTE: JUMPER POSITION JP1 IS MARKED IN FACTORY PRESET POSITION (1500E/2000E)  
 NOTE: \* = FIT COMPONENTS ON 12 & 1600D VERSION ONLY  
 NOTE: # = FIT LINK IN POSITIONS C1 & C4 ON 1600D /2000E VERSION ONLY  
 NOTE: # = FIT COMPONENTS R5 & R12 (5K6) ON 1600D /2000E VERSION ONLY

|                          |                    |                           |      |                       |                |
|--------------------------|--------------------|---------------------------|------|-----------------------|----------------|
| STUDIOMASTER DIAMOND LTD |                    | TITLE DISPLAY PCB CIRCUIT |      | FILE NAME R2C15-2.DGM |                |
| PRODUCT                  | 700D, 1200D, 1600D | PART 1 OF 1               |      | ISSUE No              |                |
|                          | 900E, 1500E, 2000E | DRN BY                    | P.A. | DATE                  | 18-07-97       |
|                          |                    |                           |      |                       | <b>R2C15-2</b> |



NOTE: VOLTAGES MEASURED AT 230V A.C. SUPPLY

REV3 = R47 & R50 CHANGED FROM 220R 5% TO 220R 5% FUSIBLE  
 R4 CHANGED FROM 1K2 5% TO 1K5 5%  
 REV4 = R45, R48 33k 5% REMOVED  
 R46, R49 CHANGED FROM 5K6 TO 2K7 5%  
 REV5 = 900E ADDED TO RANGE, R46 & R49 CHANGED FROM 2K7 TO 15K  
 R47 & R50 CHANGED FROM F220R TO F1K (FUSIBLE),  
 R35, R36, R37, R38 CHANGED FROM 0R22 ROX35 TO 0R18 ROX35

|                          |  |                   |  |                       |  |           |  |            |  |
|--------------------------|--|-------------------|--|-----------------------|--|-----------|--|------------|--|
| STUDIOMASTER DIAMOND LTD |  | TITLE             |  | AMPLIFIER AMP CIRCUIT |  | FILE NAME |  | R1C5-4.DGM |  |
| PRODUCT                  |  | 700D 900E PHV PHF |  | PART 1 OF 1           |  | ISSUE No  |  | R1C5-4     |  |
| VERSIONS                 |  | ALL MODELS        |  | DRN BY                |  | P.A.      |  | DATE       |  |
|                          |  |                   |  |                       |  |           |  | 06-09-99   |  |
|                          |  |                   |  |                       |  |           |  | REV5       |  |