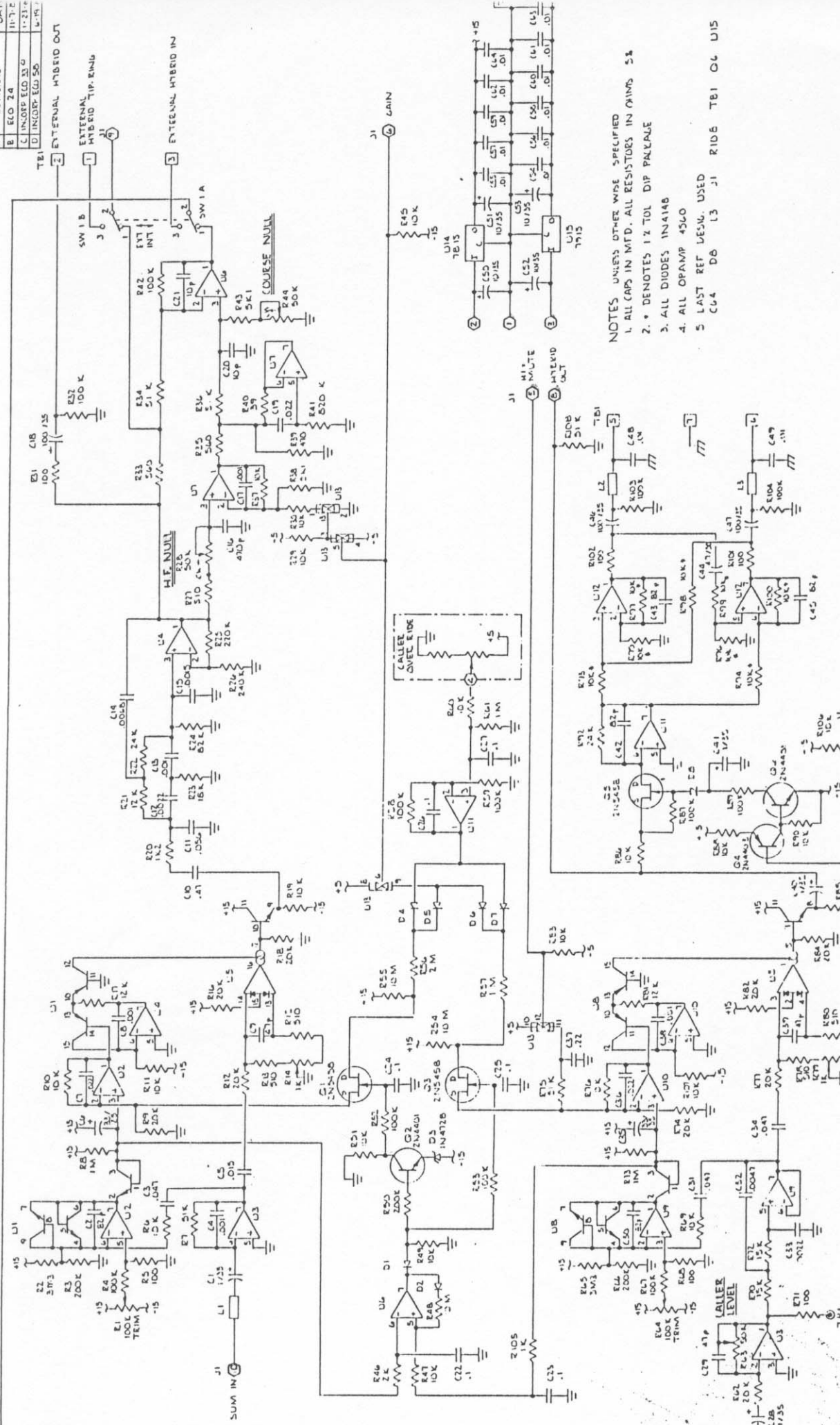


REV	REVISION	DATE
B	ECO 74	11-7-72
C	IN LOOP ECO 33 G	11-21-72
D	INCORP ECO 50	11-19-72



NOTES UNLESS OTHERWISE SPECIFIED

1. ALL CAPS IN MFD. ALL RESISTORS IN OHMS 5%.
2. * DENOTES 1/2 TOL DIP PACKAGE
3. ALL DIODES 1N4148
4. ALL OPAMP 4540
5. LAST REF DESIG. USED

SYMMETRIC	104.108
DATE	1972.10
DESIGNER	
CHECKED	
APPROVED	