

6

5

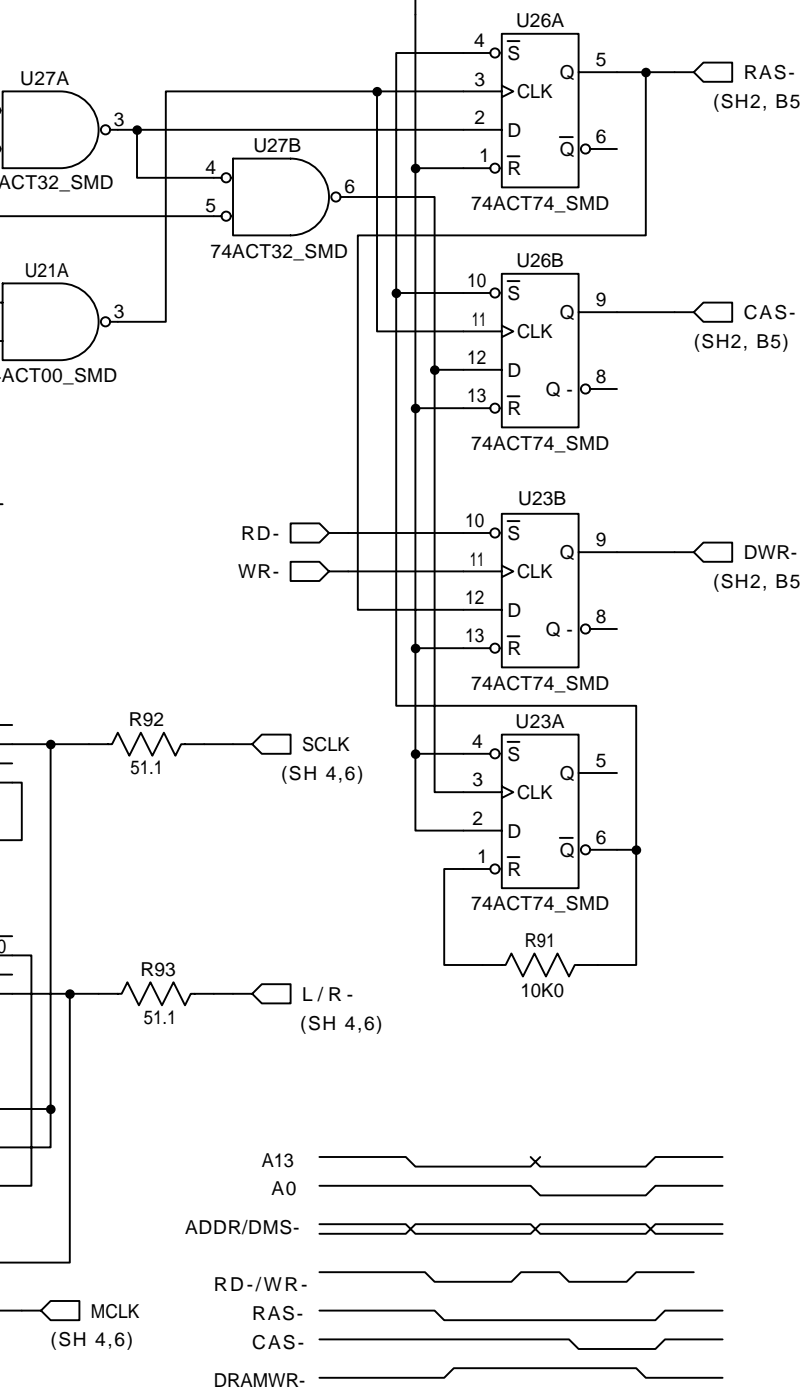
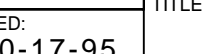
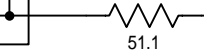
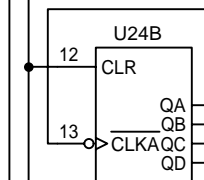
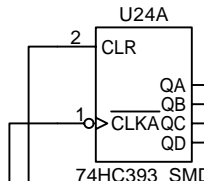
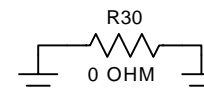
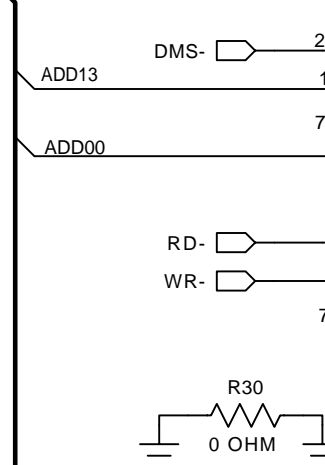
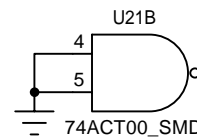
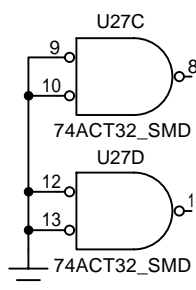
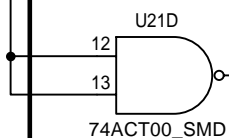
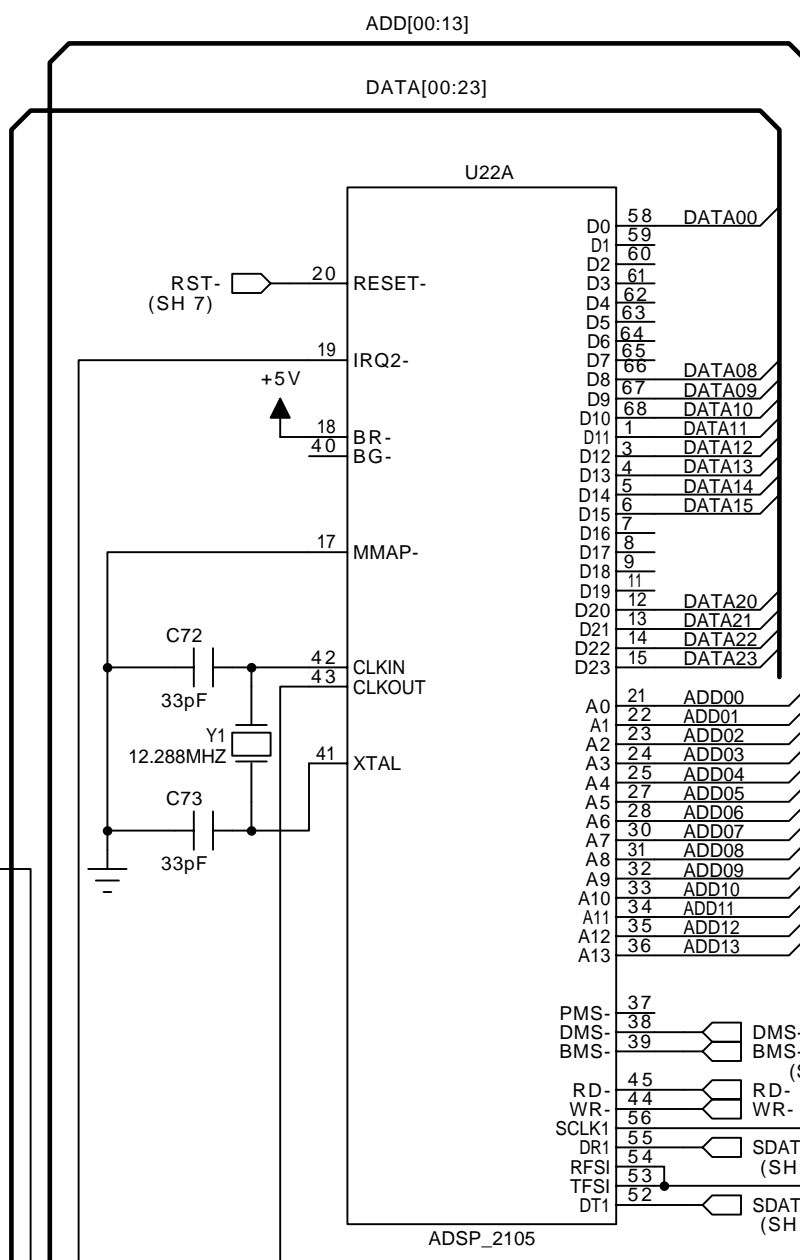
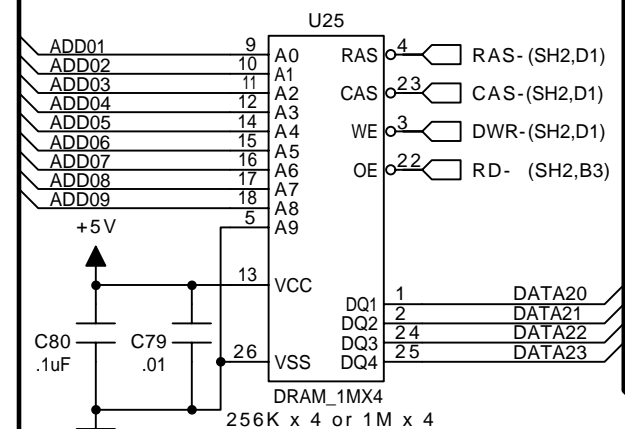
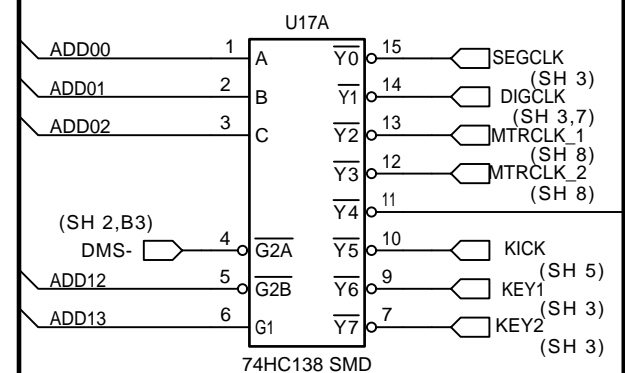
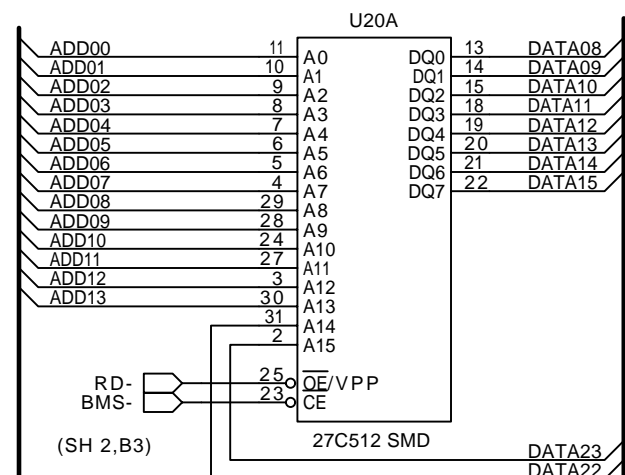
4

3

2

1

FACTORY TEST: HOLD DELAY + UNITS
HOLD DEC AND PRESS INC TO ADVANCE TESTS
SYSTEM INIT: HOLD INC AND DEC



COMPANY: **SYMETRIX INC.**
14926 35th Avenue West
Lynnwood, WA 98037-2303 USA

TITLE: **402 - KERNEL** REV: **A01**

DRAWING NO: **52 402-1** SHEET: **1 OF 9**

DRAWN: A.R.G./CH	DATED: 10-17-95
RELEASED:	DATED:

D

C

B

A

D

C

B

A

6

5

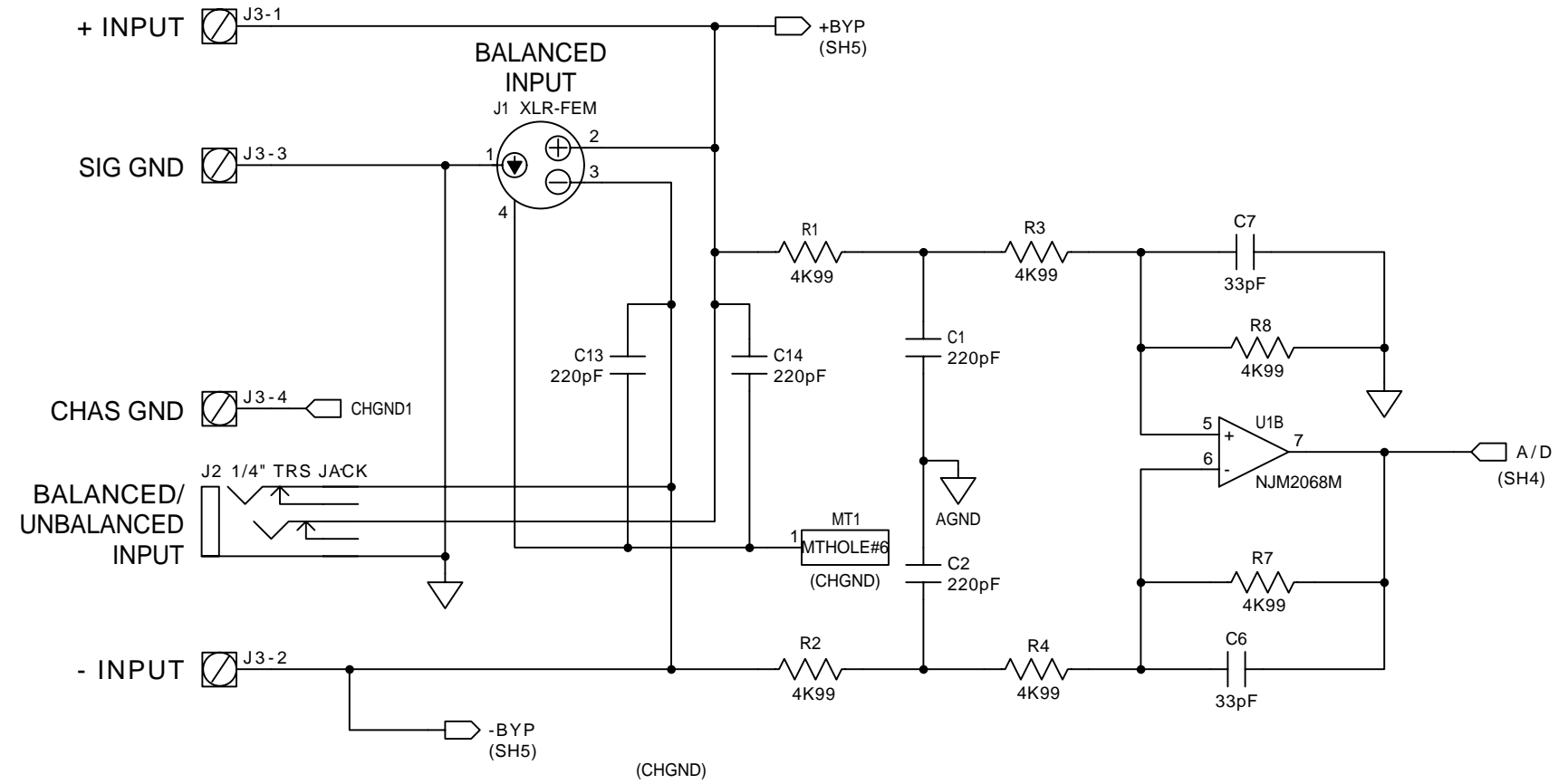
4

3

2

1

REVISION RECORD		
REV	REVISIONS DONE OR ECO NUMBER:	DATE:
A	RELEASED TO PRODUCTION	9/30/96
A.01	R16,17,22,24 TO 249, WHEN AK5351 SUBSTITUTED FOR U3	12/28/98



D

D

C

C

B

B

A

A

COMPANY:		SYMETRIX INC.	
		14926 35th Avenue West Lynnwood, WA 98037-2303 USA	
TITLE:		402 - INPUT SECTION	REV:
DRAWING NO:		52 402-1	SHEET: 2 OF 9

DRAWN:	DATED:
A.R.G./CH	10-17-95
RELEASED:	DATED:

6

5

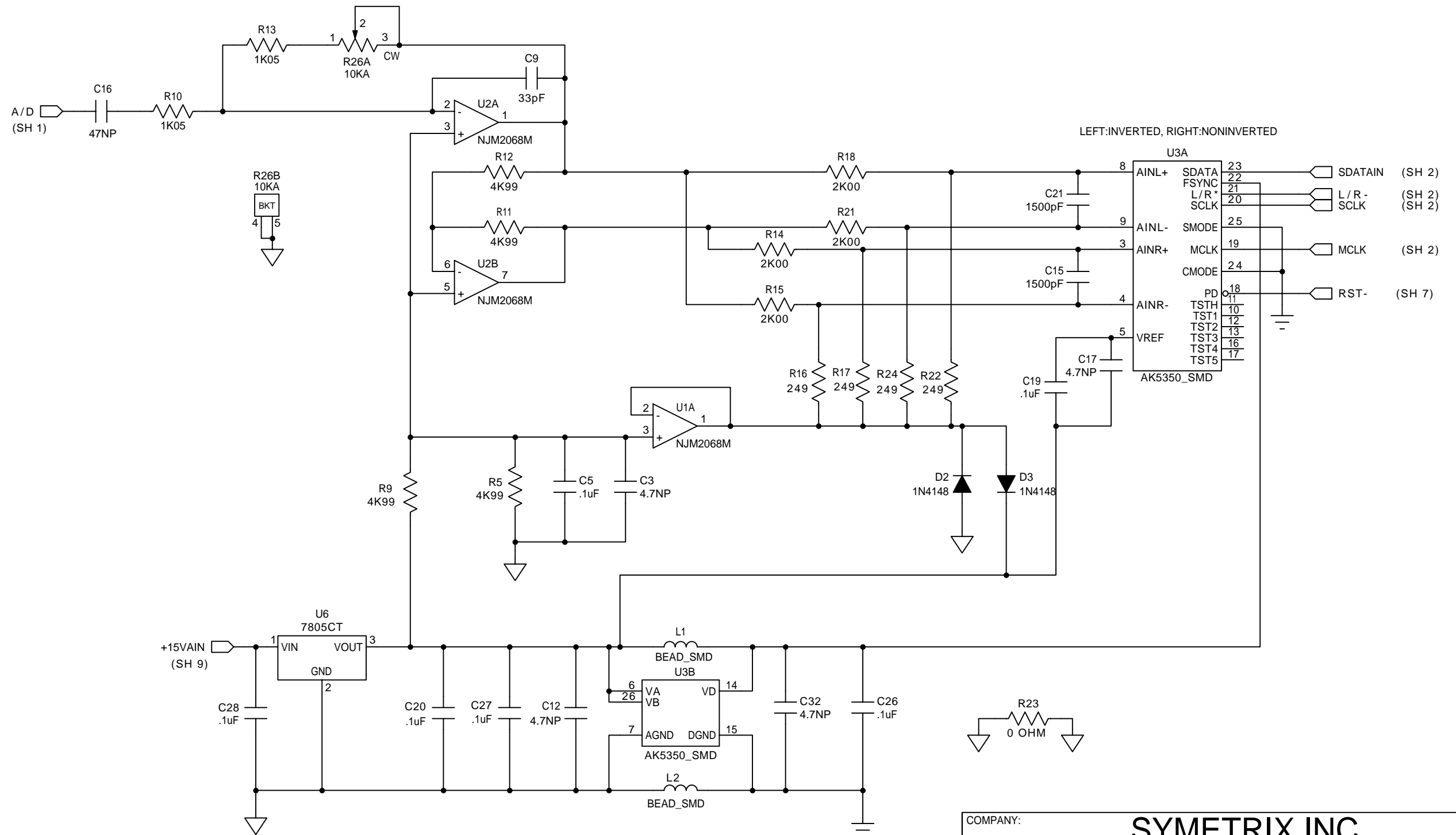
4

3

2

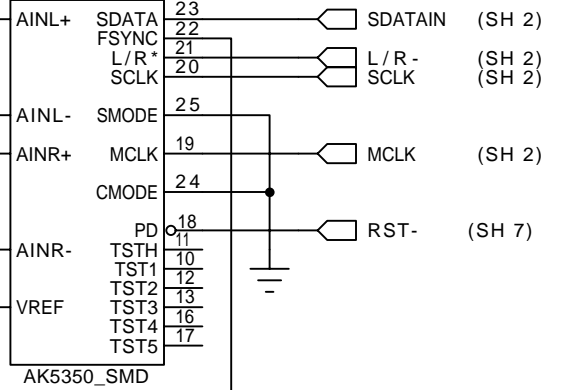
1

INPUT LEVEL



LEFT:INVERTED, RIGHT:NONINVERTED

U3A



COMPANY:		SYMETRIX INC.	
		14926 35th Avenue West Lynnwood, WA 98037-2303 USA	
TITLE:		402 - ANALOG TO DIGITAL	REV:
DRAWING NO:		52 402-1	SHEET: 3 OF 9

DRAWN:	A.R.G./CH	DATED:	10-17-95
RELEASED:		DATED:	

D

D

C

C

B

B

A

A

6

5

4

3

2

1

D

D

C

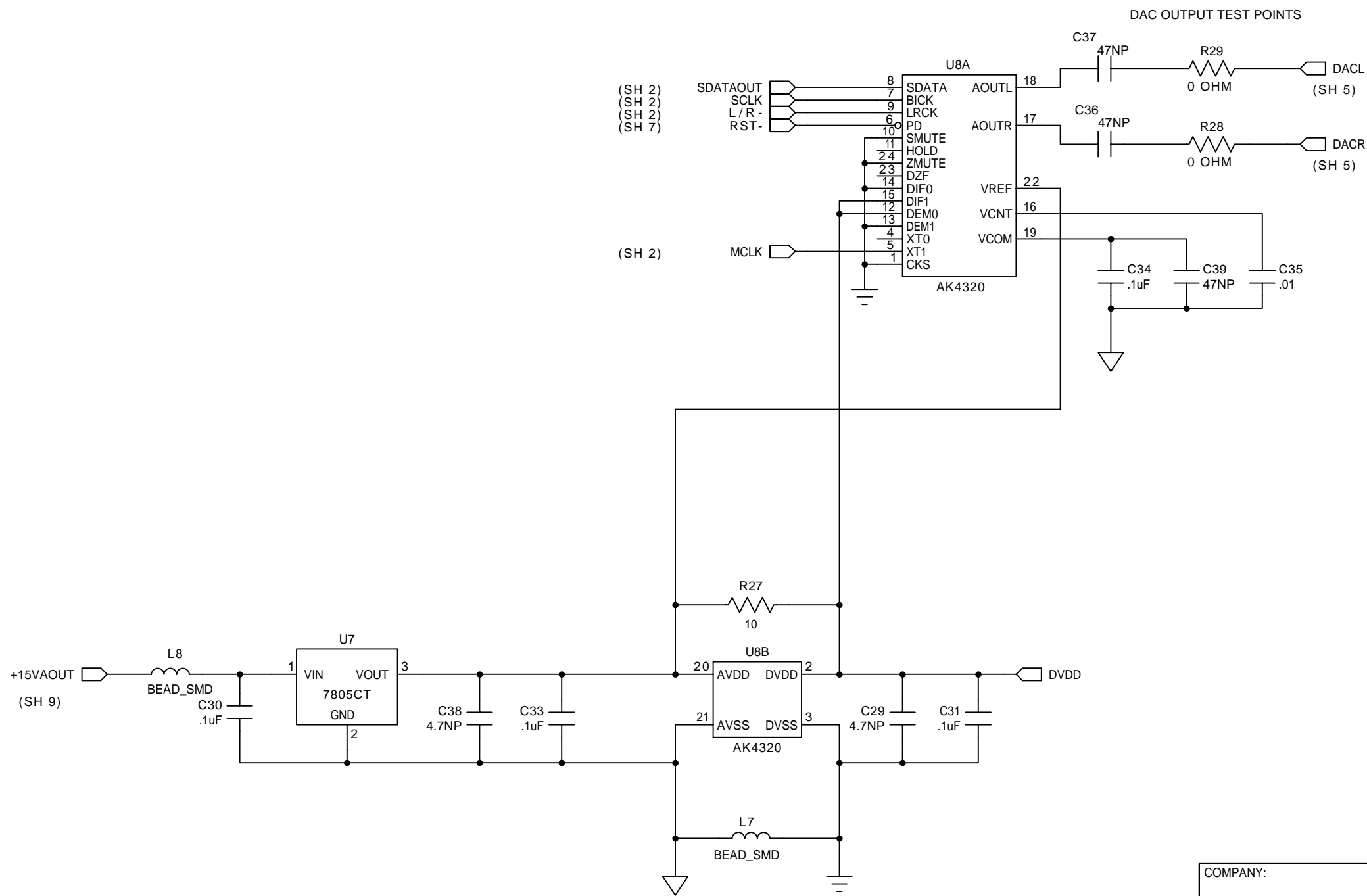
C

B

B

A

A



COMPANY:		SYMETRIX INC.	
		14926 35th Avenue West Lynnwood, WA 98037-2303 USA	
DRAWN:		TITLE:	
A.R.G/CH		402 - DIGITAL TO ANALOG	
DATED:		DRAWING NO:	
10-17-95		52 402-1	
RELEASED:		SHEET: 4 OF 9	
DATED:			

6

5

4

3

2

1

D

D

C

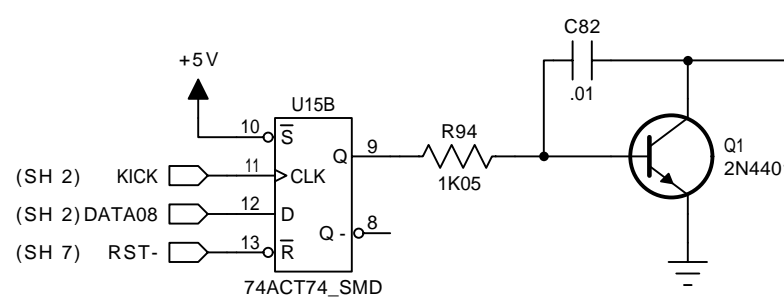
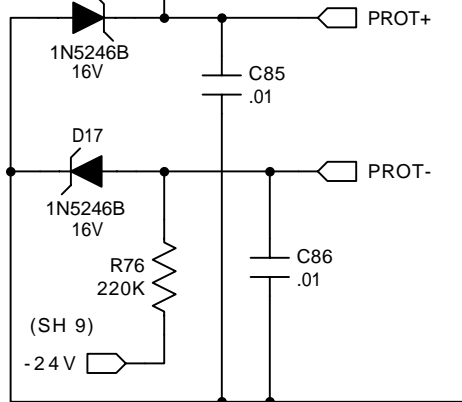
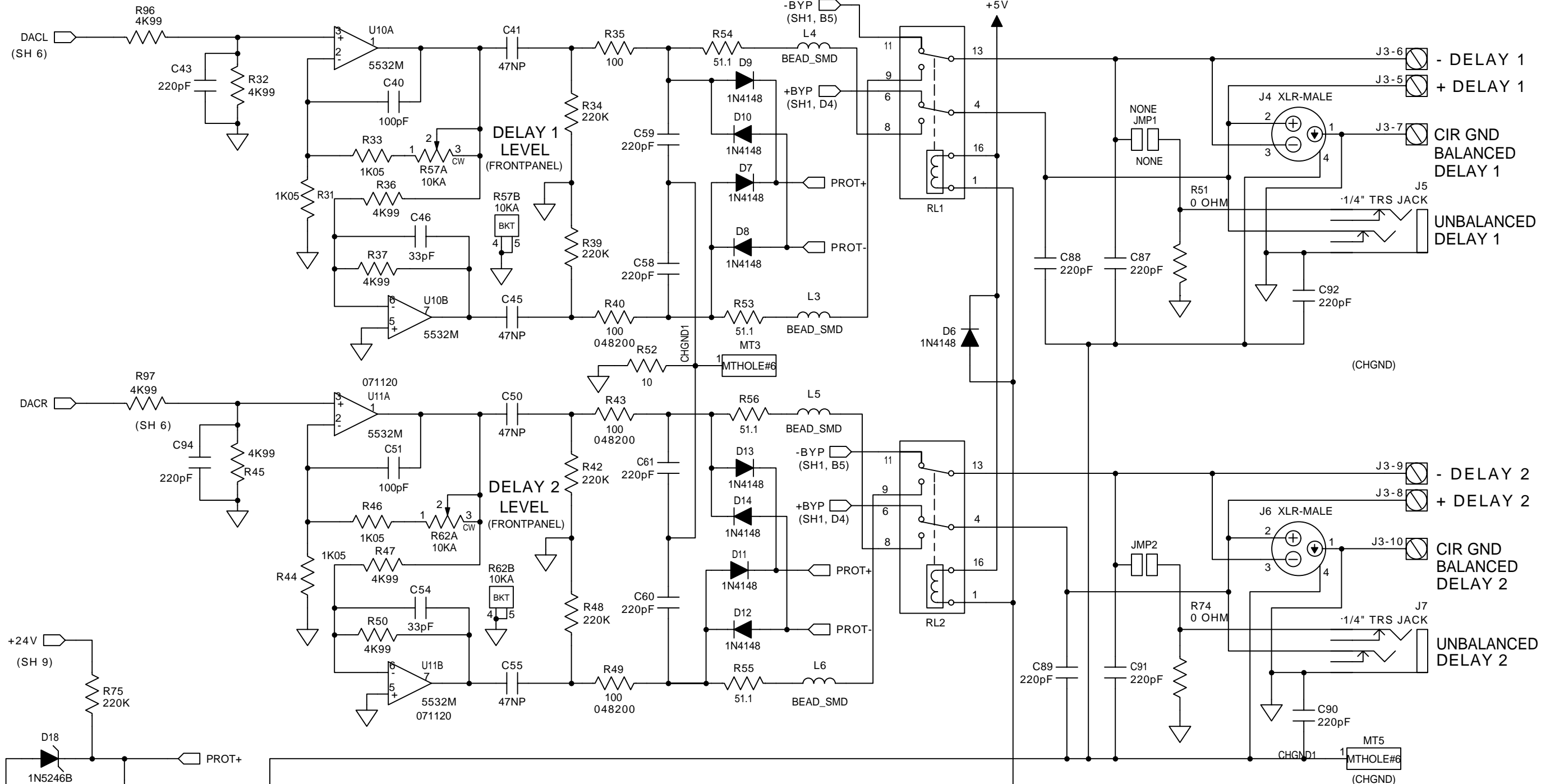
C

B

B

A

A



FOR UNBALANCED TRS OUTPUT:
LEAVE J12 OPEN
FOR BALANCED TRS OUTPUT:
REMOVE R46 AND SHORT J12

COMPANY:		SYMETRIX INC.	
		14926 35th Avenue West Lynnwood, WA 98037-2303 USA	
TITLE:		402 - OUTPUT	
DRAWING NO:		52 402-1	
REV:		SHEET: 5 OF 9	

DRAWN:	DATED:
A.R.G./CH	10-17-95
RELEASED:	DATED:

6 5 4 3 2 1

D

D

C

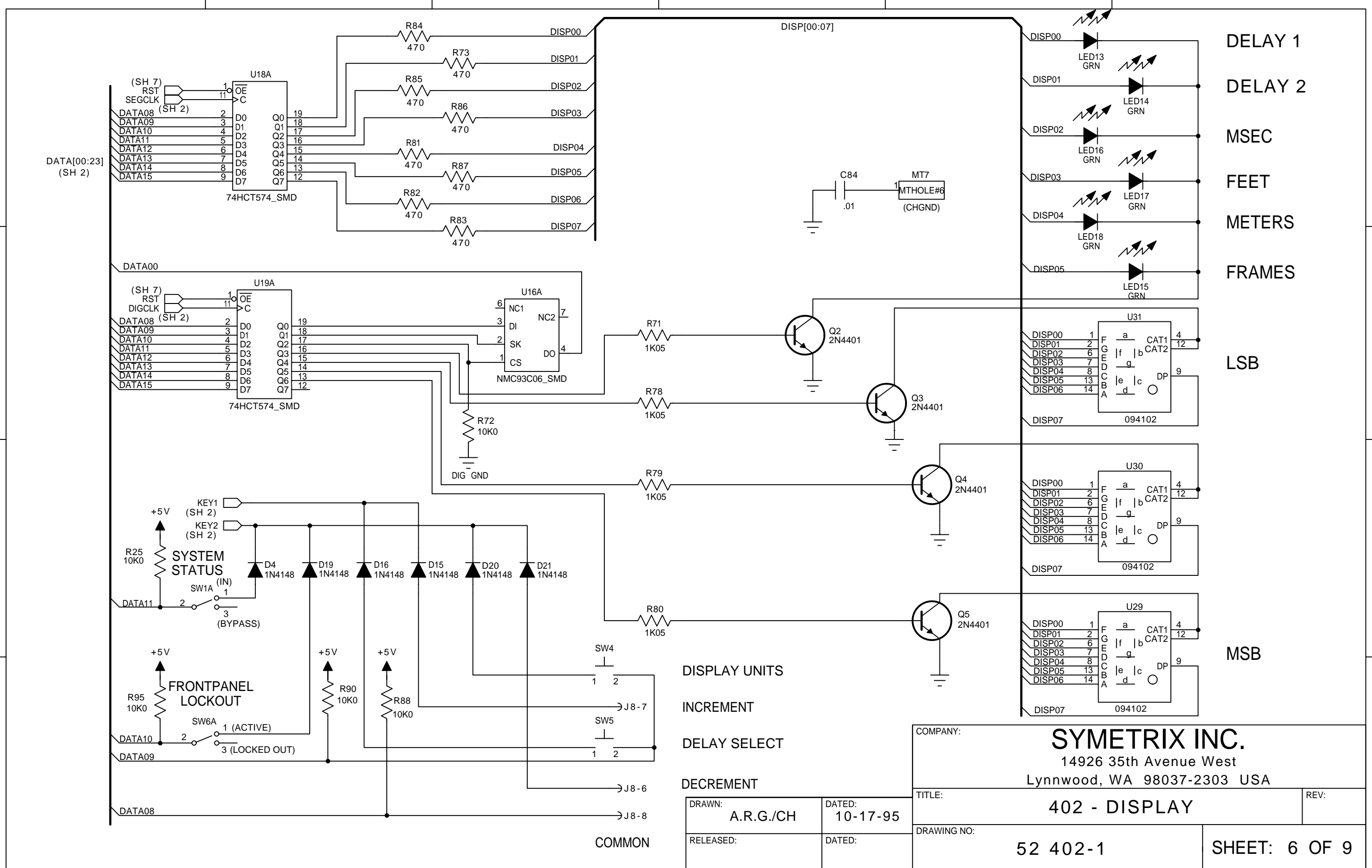
C

B

B

A

A



DISPLAY UNITS
 INCREMENT
 DELAY SELECT
 DECREMENT

COMPANY:		SYMETRIX INC.	
		14926 35th Avenue West Lynnwood, WA 98037-2303 USA	
TITLE:		402 - DISPLAY	
DRAWING NO:		52 402-1	
SHEET:		6 OF 9	
DRAWN:	DATED:	TITLE:	REV:
A.R.G./CH	10-17-95	402 - DISPLAY	
RELEASED:	DATED:	DRAWING NO:	SHEET:
		52 402-1	6 OF 9

6

5

4

3

2

1

D

D

C

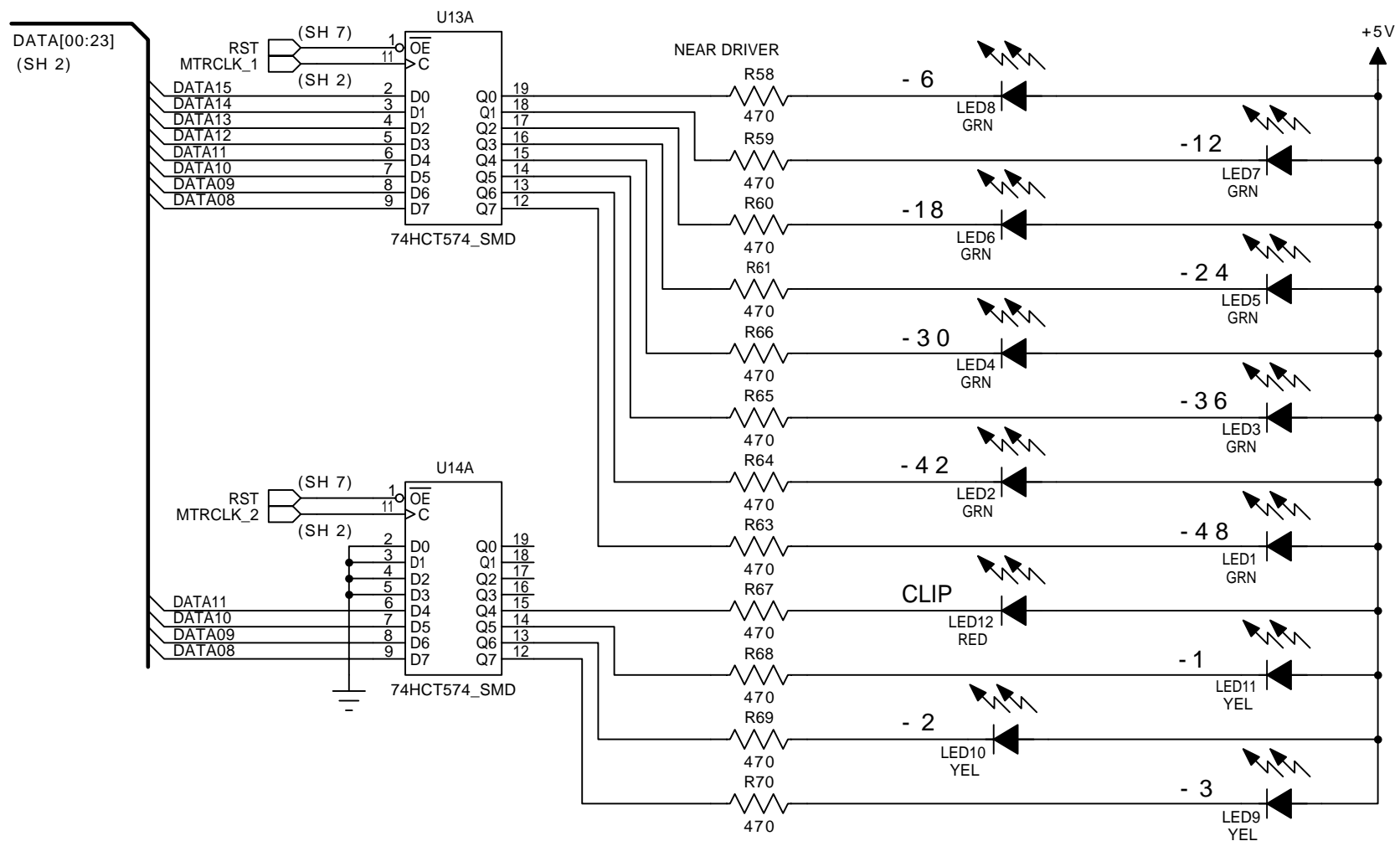
C

B

B

A

A



COMPANY:		SYMETRIX INC. 14926 35th Avenue West Lynnwood, WA 98037-2303 USA	
DRAWN:		TITLE:	
A.R.G/CH		LEVEL METERING	
DATED:		DRAWING NO:	
10-17-95		52 402-1	
RELEASED:		SHEET: 7 OF 9	
DATED:		REV:	

6

5

4

3

2

1

D

D

C

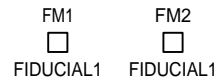
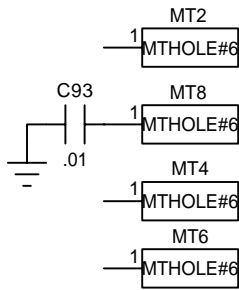
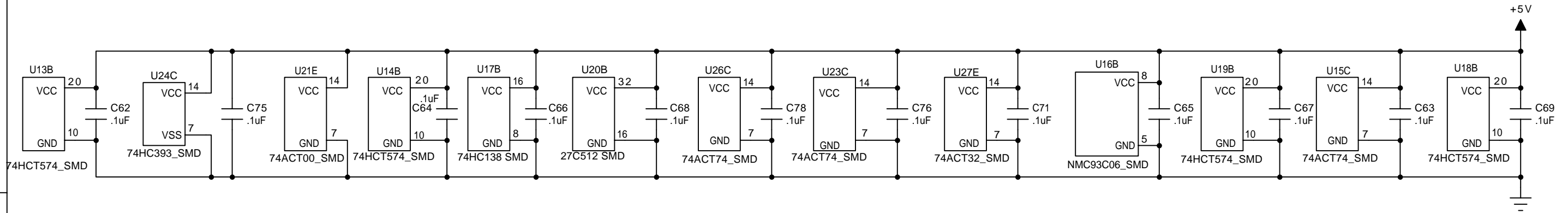
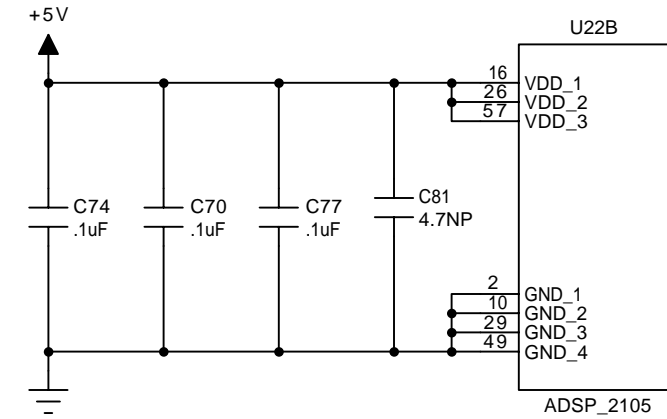
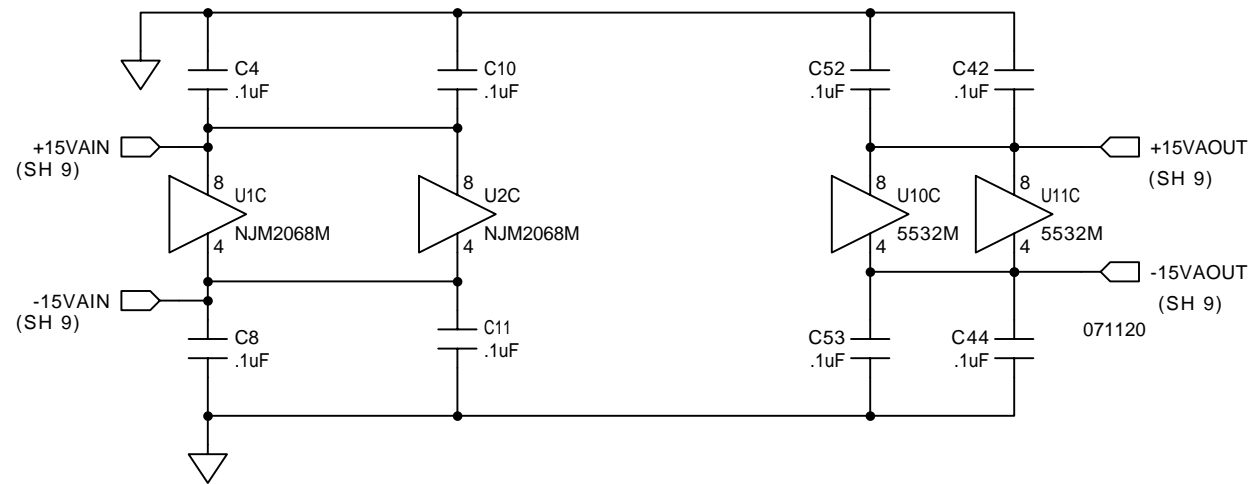
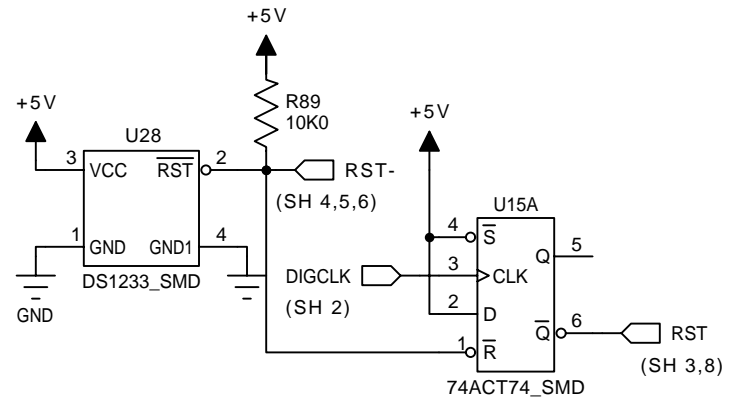
C

B

B

A

A



COMPANY:		SYMETRIX INC.	
		14926 35th Avenue West Lynnwood, WA 98037-2303 USA	
TITLE:		POWER	
DRAWING NO:		52 402-1	SHEET: 8 OF 9

DRAWN:	A.R.G/CH	DATED:	10-17-95
RELEASED:		DATED:	

6

5

4

3

2

1

D

D

C

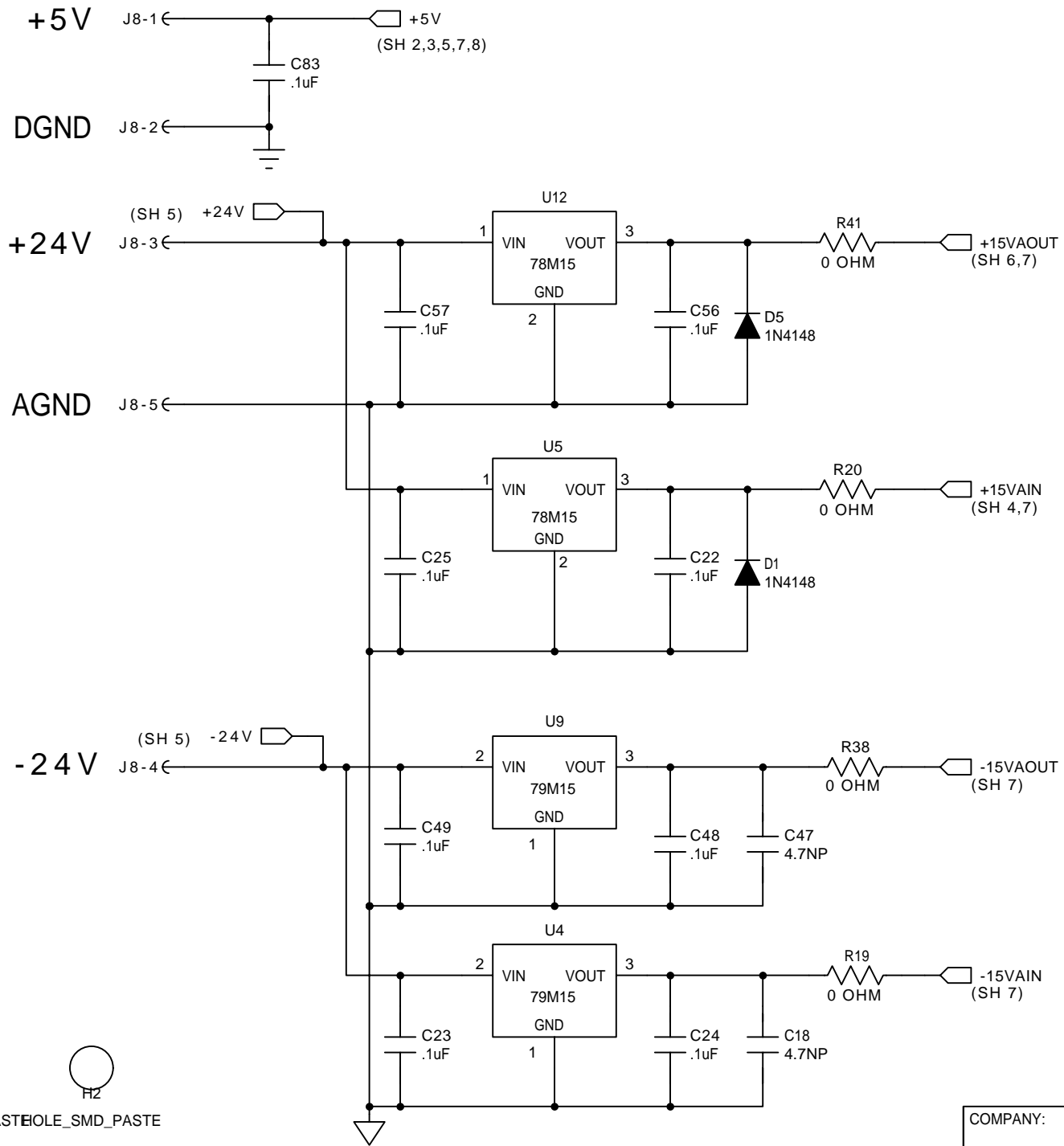
C

B

B

A

A



COMPANY:		SYMETRIX INC.	
		14926 35th Avenue West Lynnwood, WA 98037-2303 USA	
TITLE:		POWER SUPPLY REGULATION	
DRAWING NO:		52 402-1	
SHEET:		9 OF 9	

DRAWN:	CH	DATED:	10/27/95
RELEASED:		DATED:	