

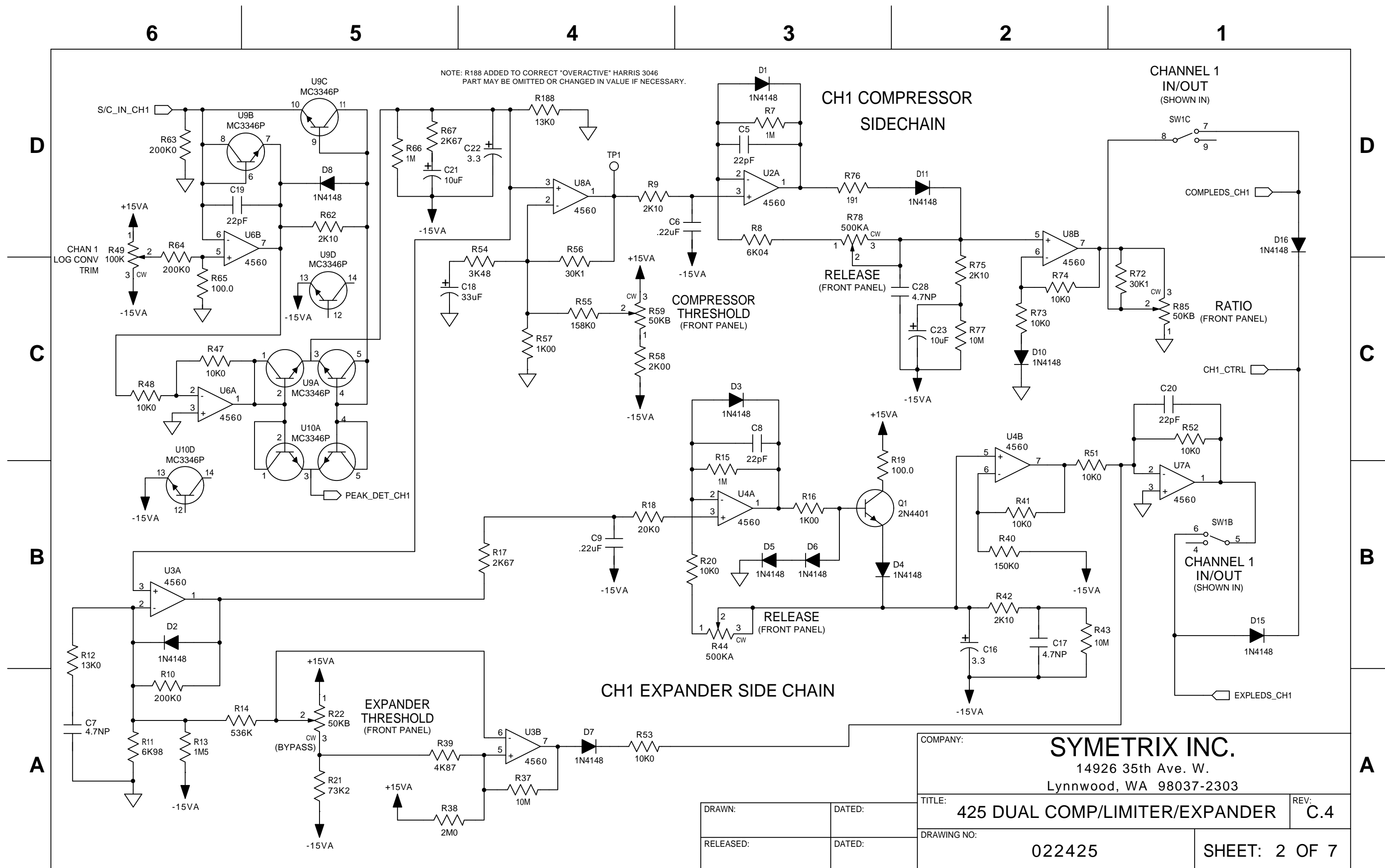
REVISION RECORD		
LTR	REVISIONS DONE OR ECO NUMBER:	DATE:
E3	RESISTORS AS PER ECO 425-12	4/6/94
A0	R79, R172 to 250K. R80, R173 to 137K0. R39, R146 to 4K87. Added HS1, HS2.	3/20/95
A1	C7, 17, 28, 44, 52, 57, 60, 65 to 4.7uF/35VNP, per ECO.	6/13/95
B0	Changed to A Series Neutrik, added Molex to power supply.	8/2/95
B1	Added LIM SYM test points.	8/11/95
C0	CHANGED GROUNDING - PCB ONLY	9/19/95
C1	Changed pcb decals of 1N4003 diodes from DO-7 to DO-41.	2/22/96
C2	Chg'd 5% resistors to 1%: 150 to 158, 510K to 499K, 560K to 536K (no changes to pcb art).	3/27/96
C3	Chg'd R161 from 18 ohms/5% to 10 ohms/1%.	05/09/96
C4	ADDED RESISTOR TO EACH LOGAMP OUTPUT.	9/26/97

COMPANY: **SYMETRIX, INC.**
 14926 35th Avenue West
 Lynnwood, WA 98037-2303 USA

TITLE: **425 DUAL COMP/LIMITER/EXPANDER** REV: **C.4**

DRAWING NO: **022425** SHEET: **1 OF 7**

DRAWN: _____ DATED: _____
 RELEASED: _____ DATED: _____



NOTE: R188 ADDED TO CORRECT "OVERACTIVE" HARRIS 3046 PART MAY BE OMITTED OR CHANGED IN VALUE IF NECESSARY.

CH1 COMPRESSOR SIDECHAIN

COMPRESSOR THRESHOLD (FRONT PANEL)

RELEASE (FRONT PANEL)

CH1 EXPANDER SIDE CHAIN

EXPANDER THRESHOLD (FRONT PANEL)

CHANNEL 1 IN/OUT (SHOWN IN)

RATIO (FRONT PANEL)

CHANNEL 1 IN/OUT (SHOWN IN)

COMPANY: **SYMETRIX INC.**
 14926 35th Ave. W.
 Lynnwood, WA 98037-2303

TITLE: **425 DUAL COMP/LIMITER/EXPANDER** REV: **C.4**

DRAWING NO: **022425** SHEET: **2 OF 7**

DRAWN:	DATED:
RELEASED:	DATED:

6

5

4

3

2

1

D

C

B

A

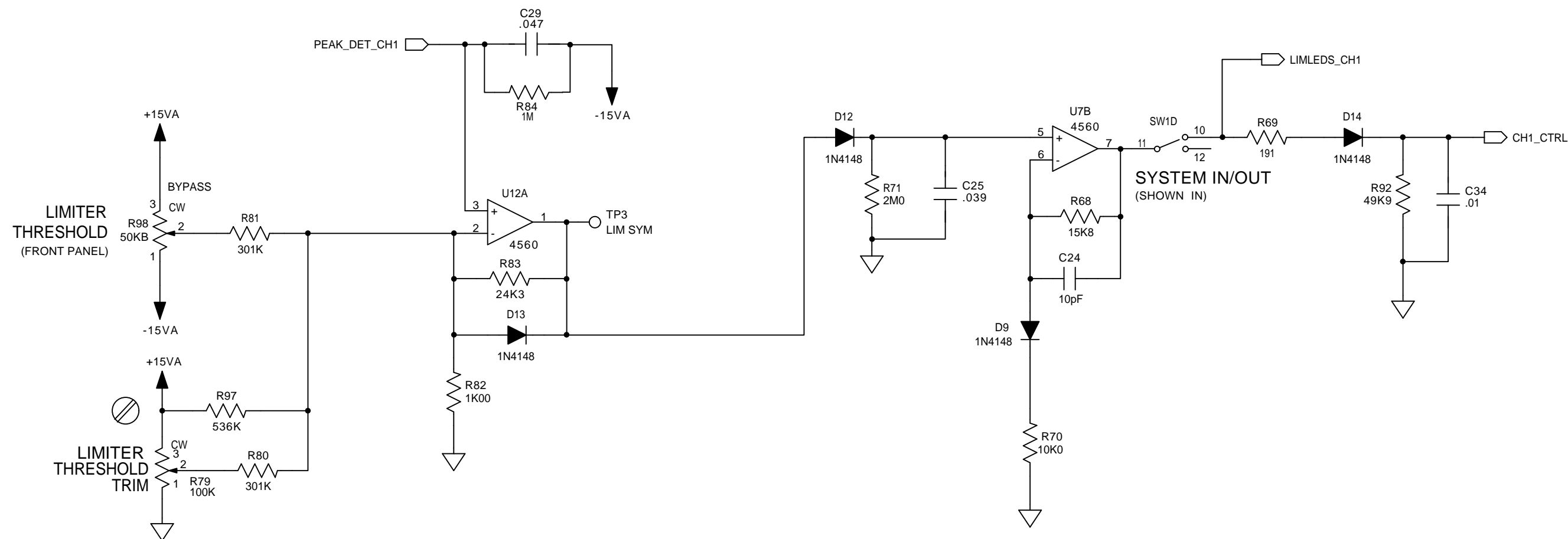
D

C

B

A

CH1 LIMITER SIDE CHAIN



COMPANY:		SYMETRIX INC.	
		14926 35th Ave. W. Lynnwood, WA 98037-2303	
TITLE:		425 DUAL COMP/LIMITER/EXPANDER	REV: C.4
DRAWING NO:		022425	SHEET: 3 OF 7

DRAWN:	DATED:
RELEASED:	DATED:

6

5

4

3

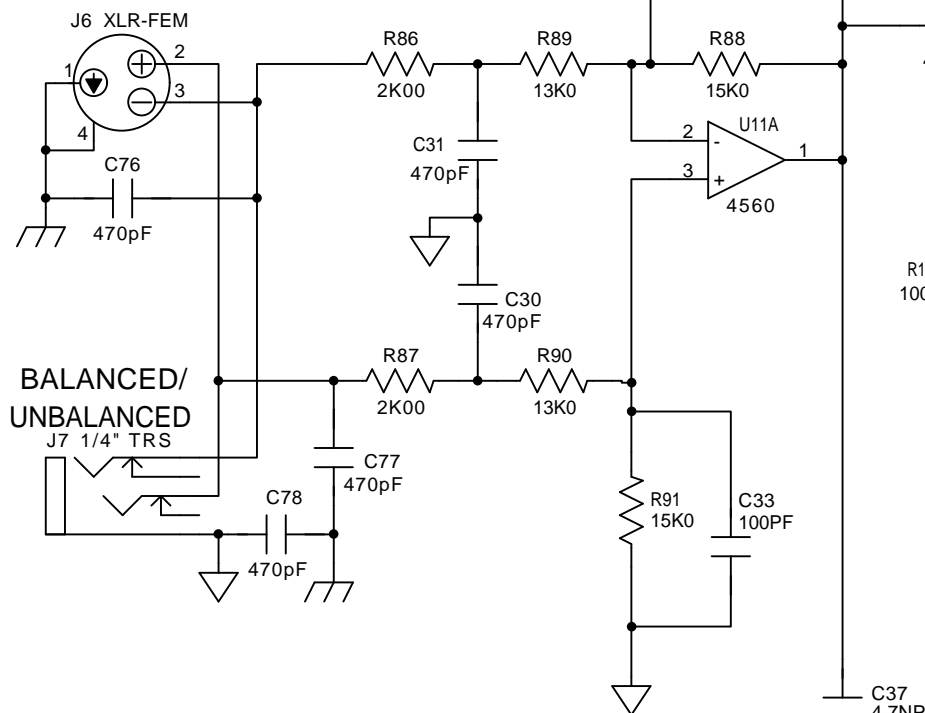
2

1

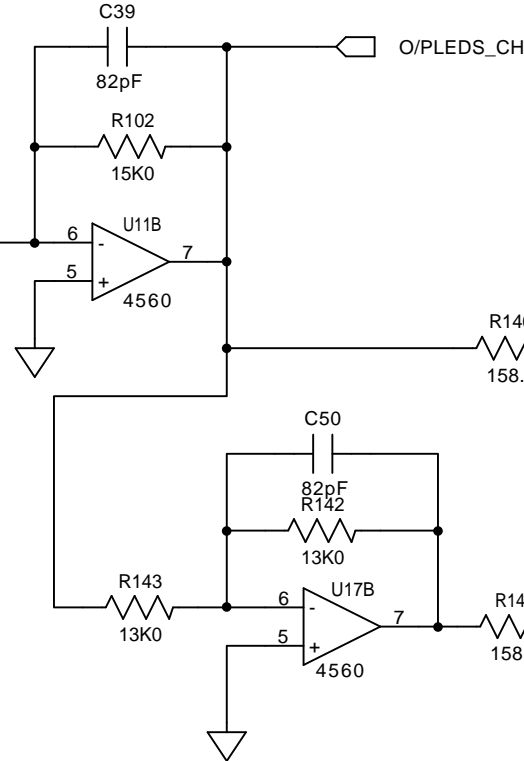
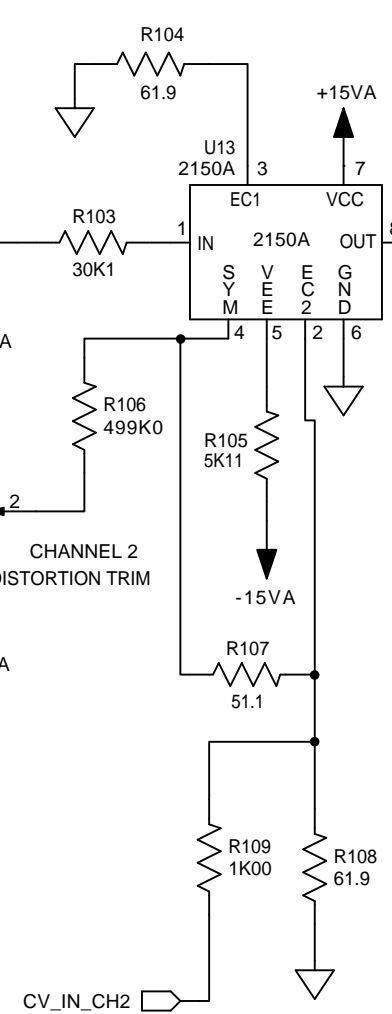
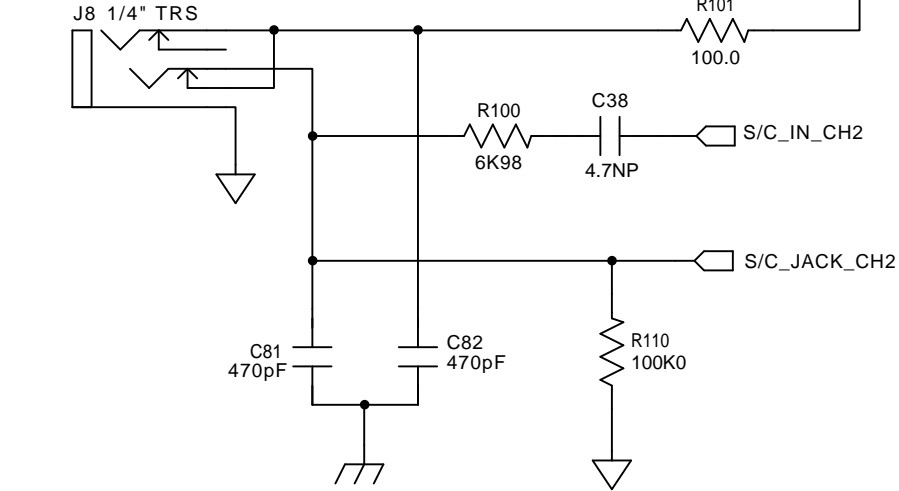
CHANNEL 2 INPUTS

CHANNEL 2 OUTPUTS

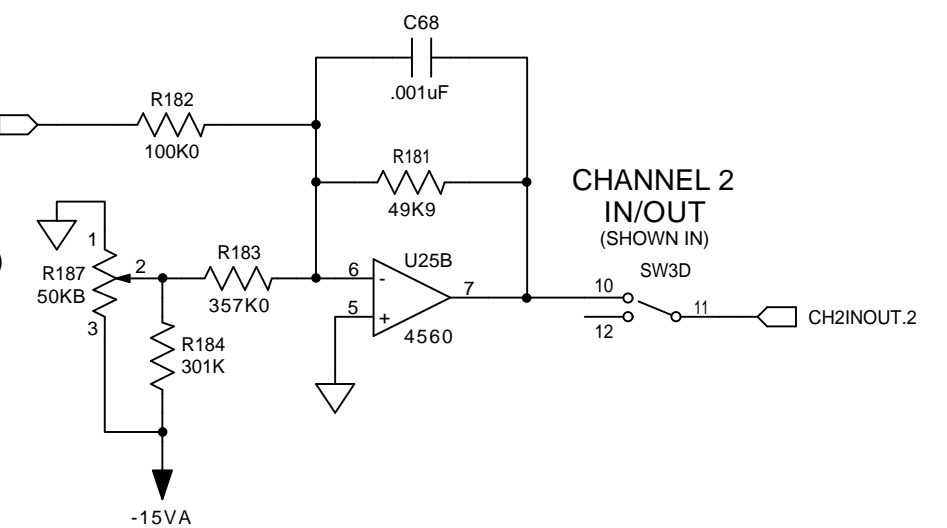
BALANCED



SIDECHAIN SEND/RETURN

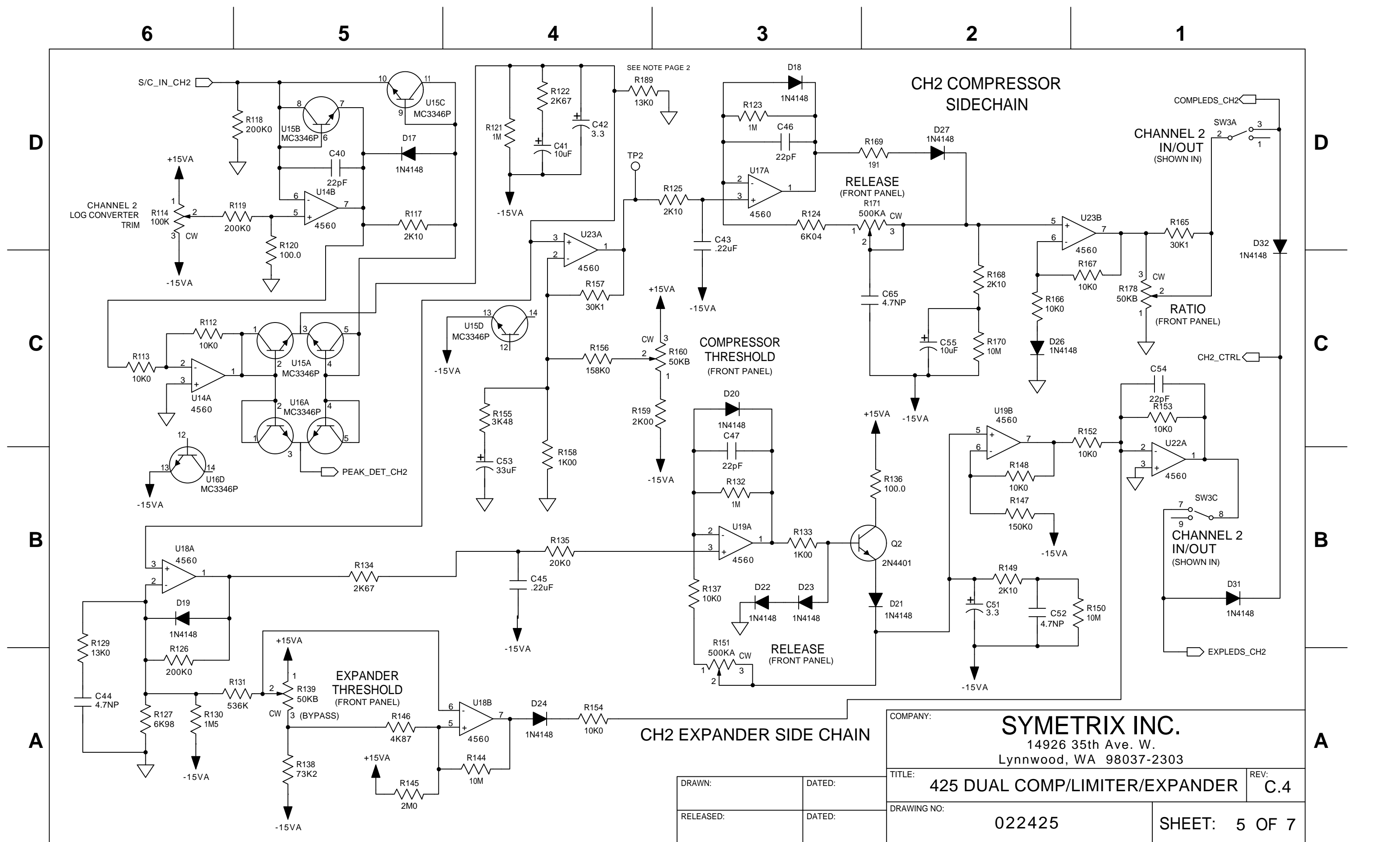


CHANNEL 2 (SLAVE) OUTPUT LEVEL (FRONT PANEL)



COMPANY:		SYMETRIX INC.	
		14926 35th Avenue West Lynnwood, WA 98037-2303 USA	
TITLE:		425 DUAL COMP/LIMITER/EXPANDER	REV: C.4
DRAWING NO:		022425	SHEET: 4 OF 7

DRAWN:	DATED:
RELEASED:	DATED:



COMPANY: **SYMETRIX INC.**
 14926 35th Ave. W.
 Lynnwood, WA 98037-2303

TITLE: **425 DUAL COMP/LIMITER/EXPANDER** REV: **C.4**

DRAWING NO: **022425** SHEET: **5 OF 7**

DRAWN:	DATED:
RELEASED:	DATED:

6

5

4

3

2

1

D

D

C

C

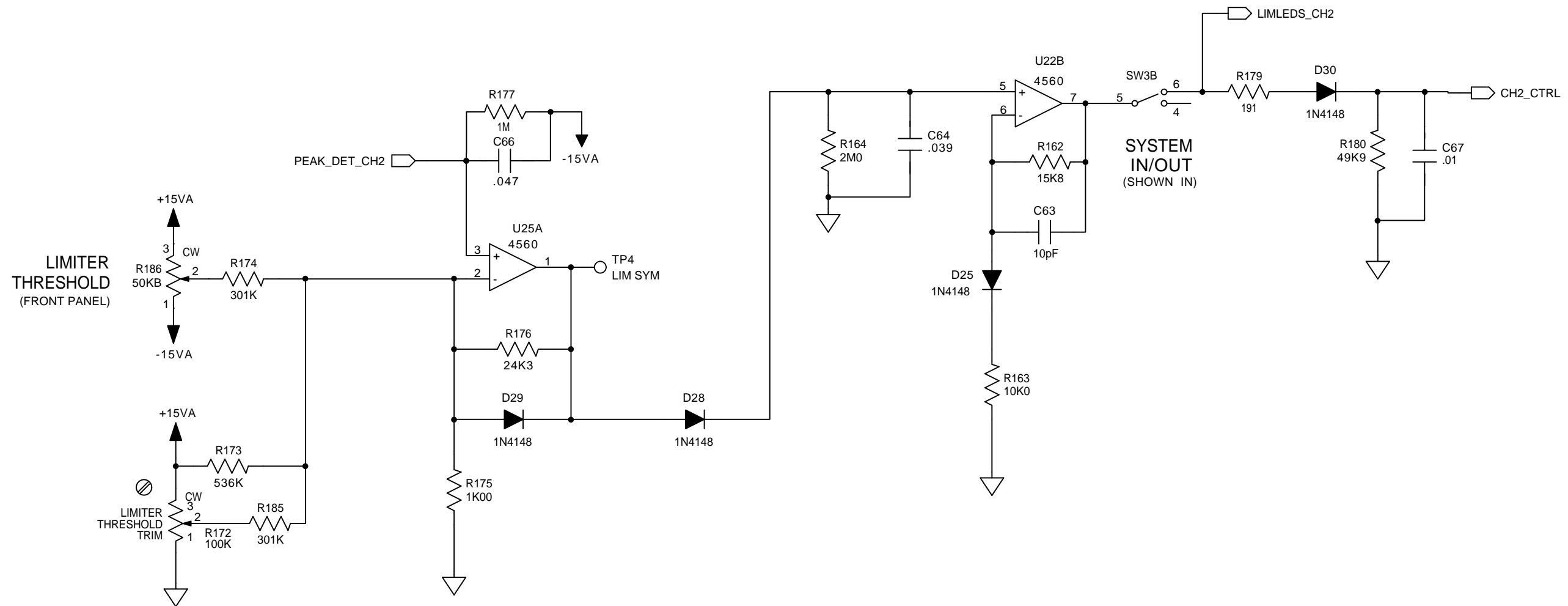
B

B

A

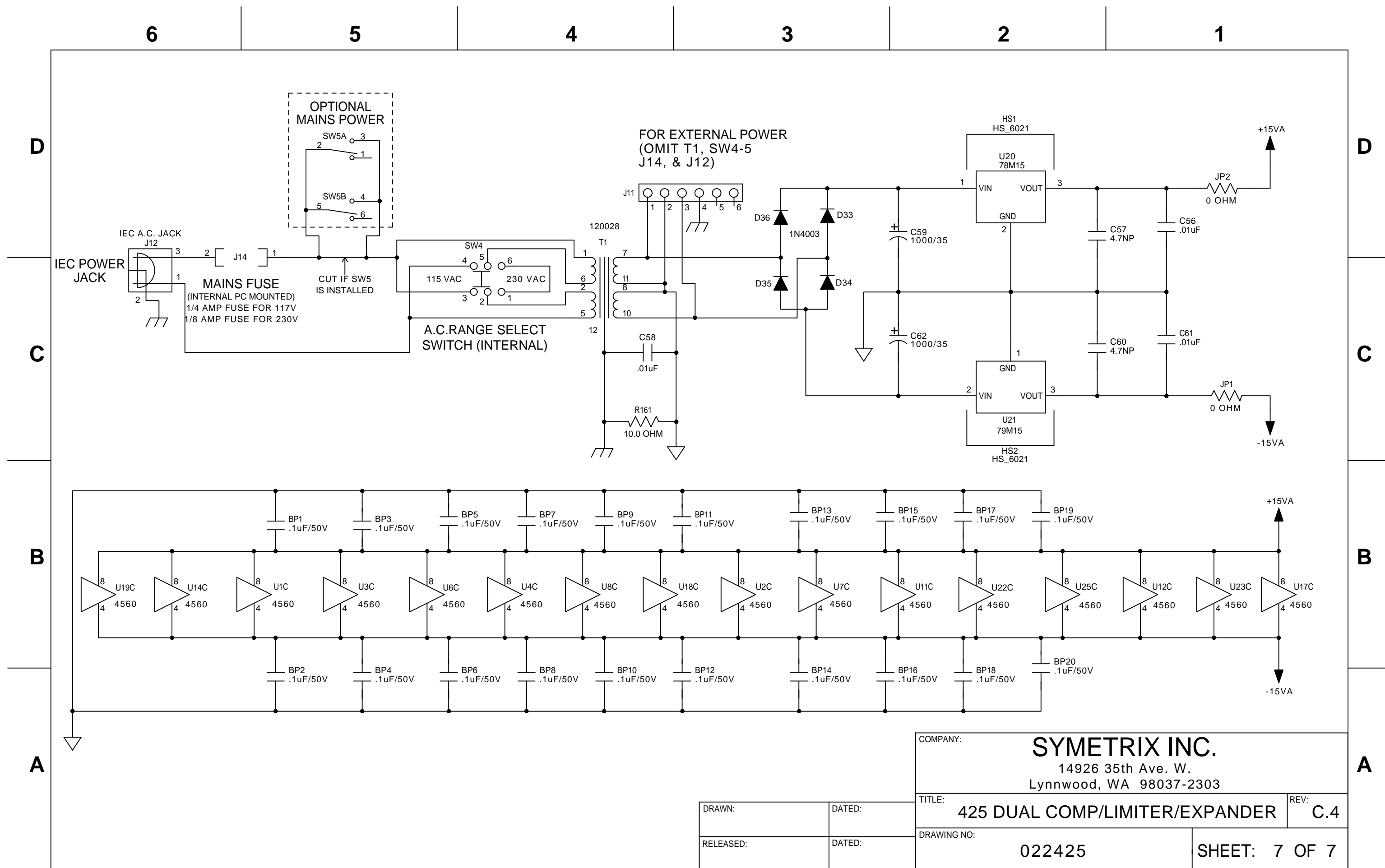
A

CH2 LIMITER SIDE CHAIN



COMPANY:		SYMETRIX INC.	
		14926 35th Ave. W. Lynnwood, WA 98037-2303	
TITLE:		425 DUAL COMP/LIMITER/EXPANDER	REV: C.4
DRAWING NO:		022425	SHEET: 6 OF 7

DRAWN:	DATED:
RELEASED:	DATED:



COMPANY:		SYMETRIX INC.	
		14926 35th Ave. W. Lynnwood, WA 98037-2303	
TITLE:		425 DUAL COMP/LIMITER/EXPANDER	REV: C.4
DRAWING NO:		022425	SHEET: 7 OF 7

DRAWN:	DATED:
RELEASED:	DATED: