

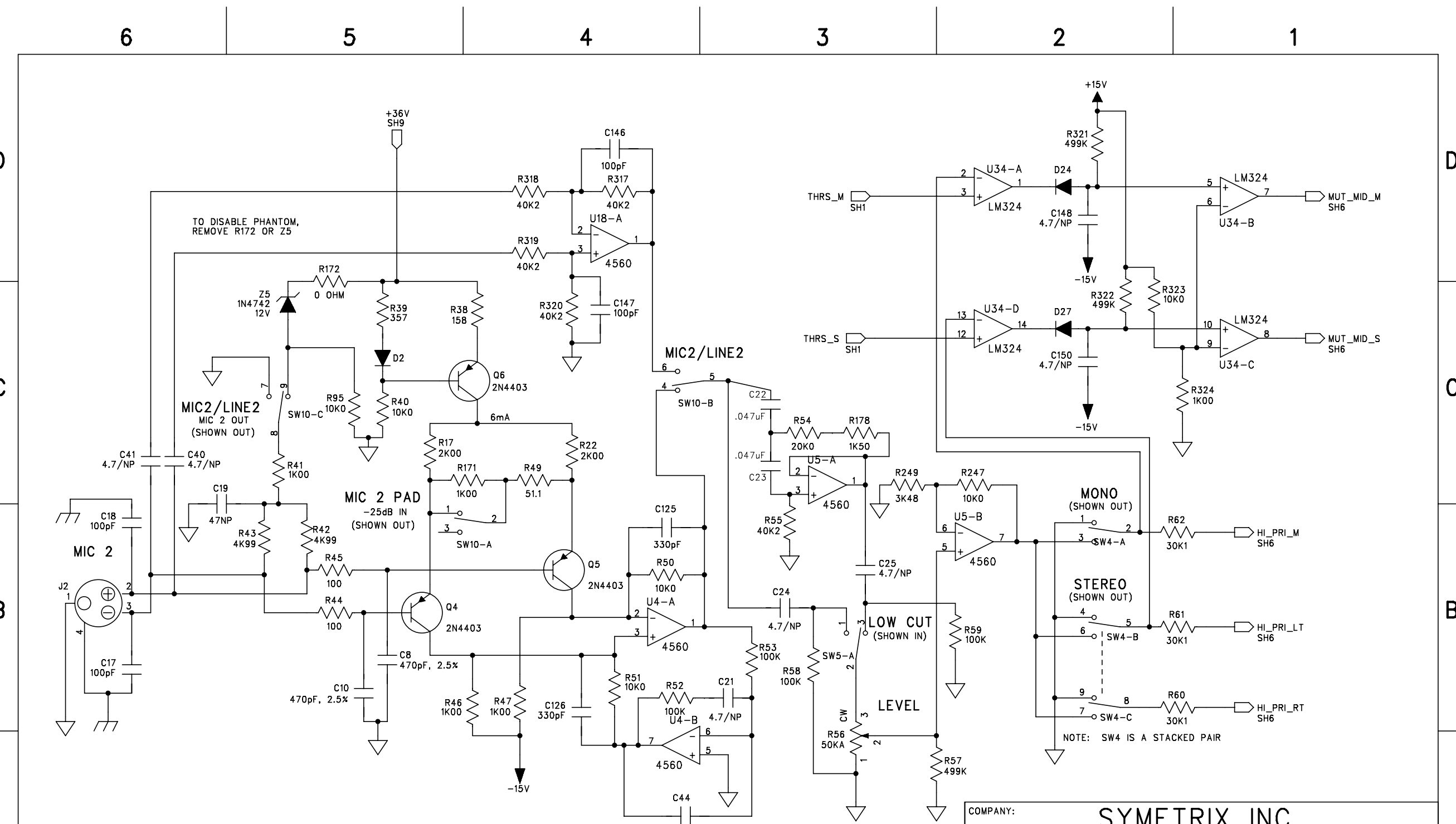
REVISION RECORD		
LTR	REVISIONS DONE OR ECO NUMBER:	DATE:
A01	Chg'd R221, 280 from 137K0 to 158K0 Chg'd R278, 279 from 100K0 to 110K0.	07/10/96
A02	Chg'd R160, 161, 164, 166, 167, 170, 309-311 from 538K 1% to 2M 5% to correct mute "thump".	08/16/96
B.00	Chg'd to surface mount	RB/KW 12/10/96
C.00	Minor changes to bring into spec.	RB 3/31/97
C.01	TWEEKED VALUES, CHNG OP AMPS TO 4560's	RB 12/4/97
C.02	REPLACE 2 EMI FILTERS WITH FERRITE BEADS ON POWER SUPPLY INPUT	12/8/98

NOTE:
ALL DIODES ARE 1N4148
UNLESS OTHERWISE NOTED.

HIGH PRIORITY INPUTS:
IF ABOVE THE SET THRESHOLD, THIS INPUT
WILL CAUSE ALL OTHER INPUTS TO MUTE.
THIS INPUT CANNOT BE MUTED BY
ANY OTHER INPUT.

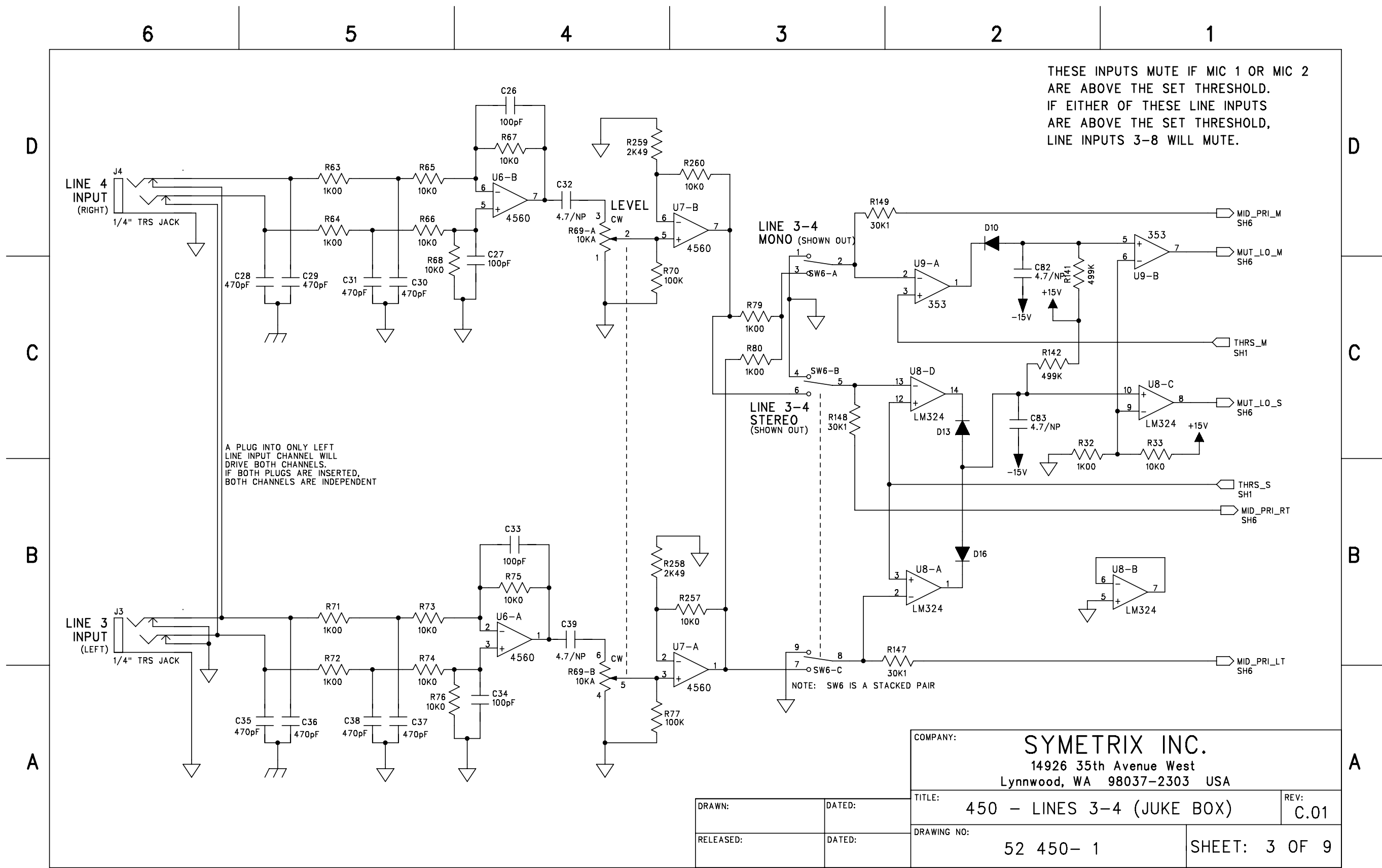
COMPANY:		SYMETRIX INC.	
		14926 35th Avenue West Lynnwood, WA 98037-2303 USA	
TITLE:	450 - MIC/LINE MIXER		REV: C.02
DRAWING NO:	52 450- 1		SHEET: 1 OF 9

DRAWN: RB	DATED: 6/26/95
RELEASED:	DATED:

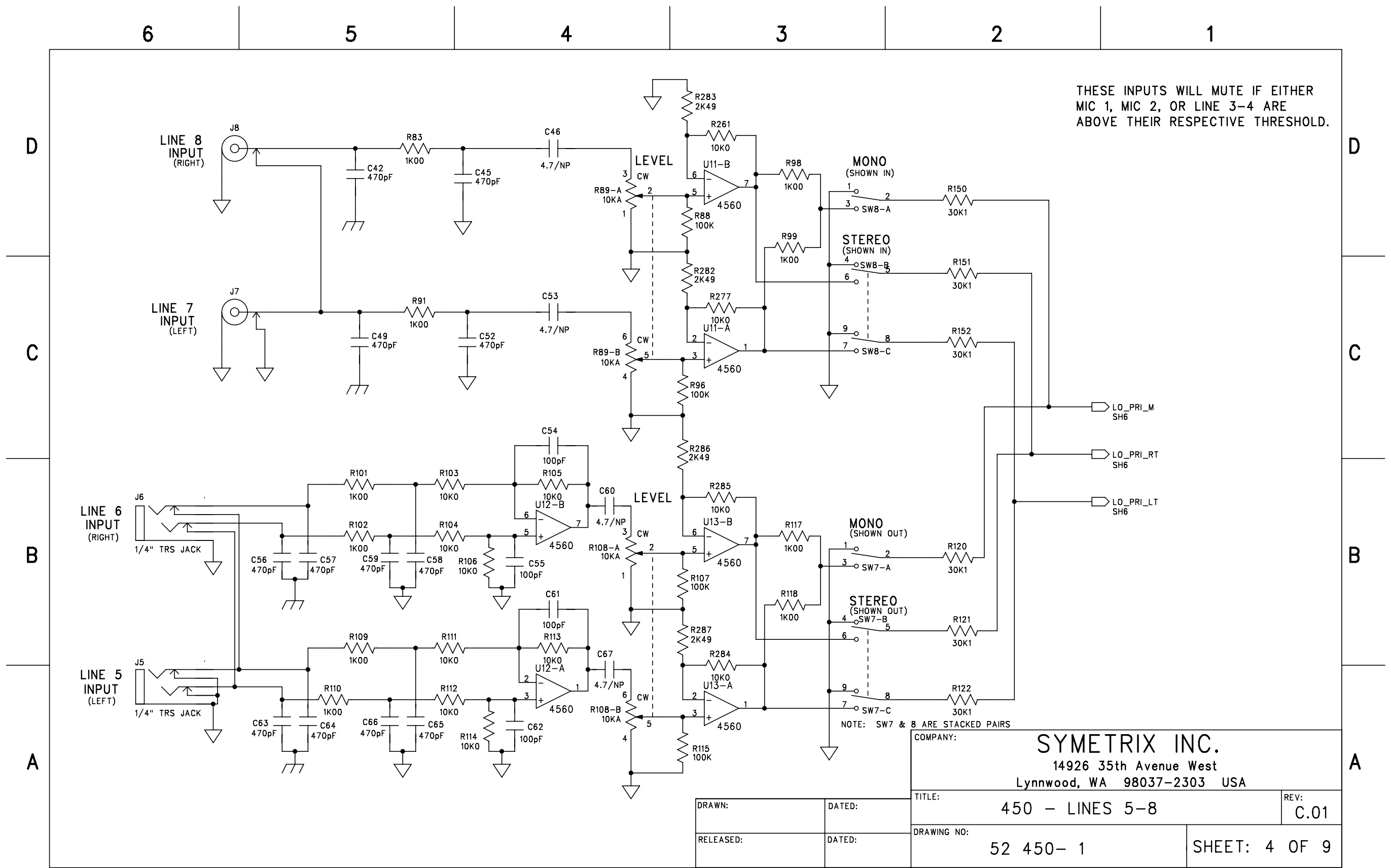


THIS INPUT WILL MUTE IF MIC 1 IS ABOVE THE APPROPRIATE THRESHOLD.
 IF THIS INPUT IS ABOVE THE THRESHOLD, LINE INPUTS 3-10 WILL MUTE, BUT MIC 1 WILL NOT.

COMPANY:		SYMETRIX INC.	
		14926 35th Avenue West Lynnwood, WA 98037-2303 USA	
DRAWN:	DATED:	TITLE:	REV:
		450 - MID PRIORITY MIC 2/LINE	C.01
RELEASED:	DATED:	DRAWING NO:	SHEET: 2 OF 9
		52 450- 1	



COMPANY:		SYMETRIX INC.	
		14926 35th Avenue West Lynnwood, WA 98037-2303 USA	
DRAWN:	DATED:	TITLE:	REV:
		450 - LINES 3-4 (JUKE BOX)	C.01
RELEASED:	DATED:	DRAWING NO:	SHEET:
		52 450- 1	3 OF 9



THESE INPUTS WILL MUTE IF EITHER
MIC 1, MIC 2, OR LINE 3-4 ARE
ABOVE THEIR RESPECTIVE THRESHOLD.

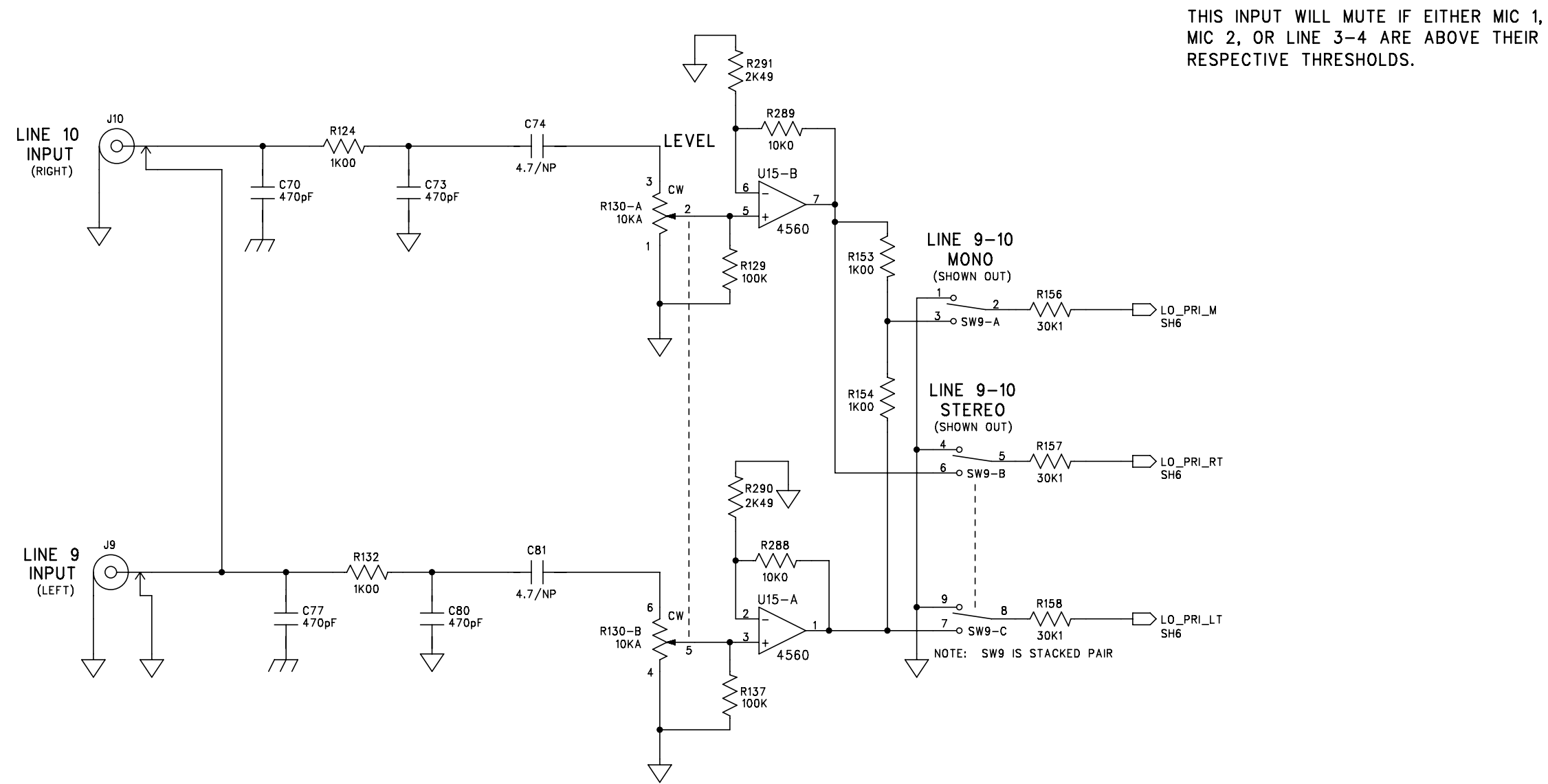
NOTE: SW7 & 8 ARE STACKED PAIRS

COMPANY: **SYMETRIX INC.**
 14926 35th Avenue West
 Lynnwood, WA 98037-2303 USA

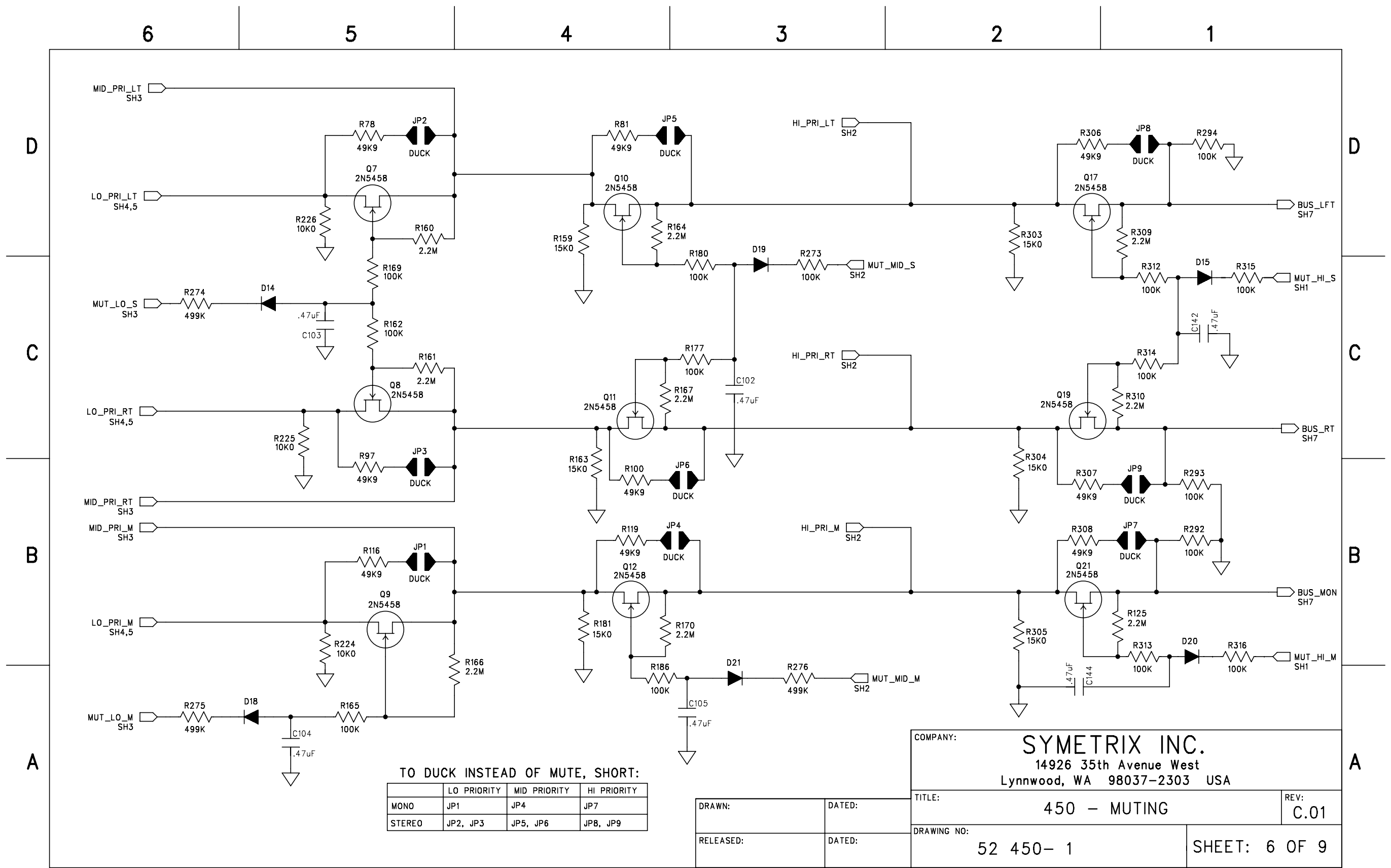
DRAWN:	DATED:	TITLE: 450 - LINES 5-8	REV: C.01
RELEASED:	DATED:	DRAWING NO: 52 450- 1	SHEET: 4 OF 9

6 5 4 3 2 1

D
C
B
A



COMPANY:		SYMETRIX INC.	
		14926 35th Ave. W. Lynnwood, WA 98037-2303	
DRAWN:	DATED:	TITLE:	REV:
		450 - LINES 9-10	C.01
RELEASED:	DATED:	DRAWING NO:	SHEET: 5 OF 9
		52 450- 1	



TO DUCK INSTEAD OF MUTE, SHORT:

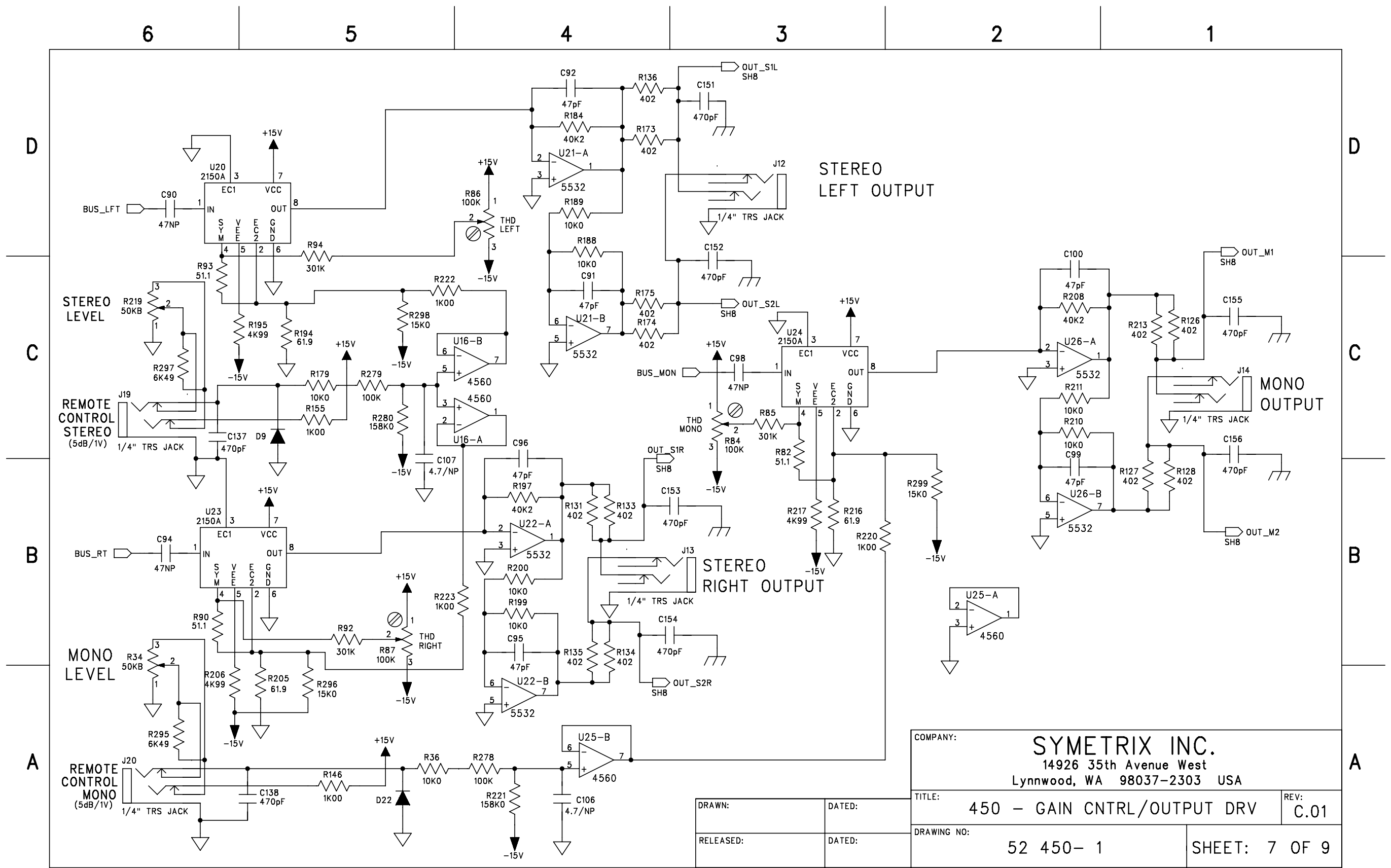
	LO PRIORITY	MID PRIORITY	HI PRIORITY
MONO	JP1	JP4	JP7
STEREO	JP2, JP3	JP5, JP6	JP8, JP9

COMPANY: **SYMETRIX INC.**
 14926 35th Avenue West
 Lynnwood, WA 98037-2303 USA

TITLE: **450 - MUTING** REV: **C.01**

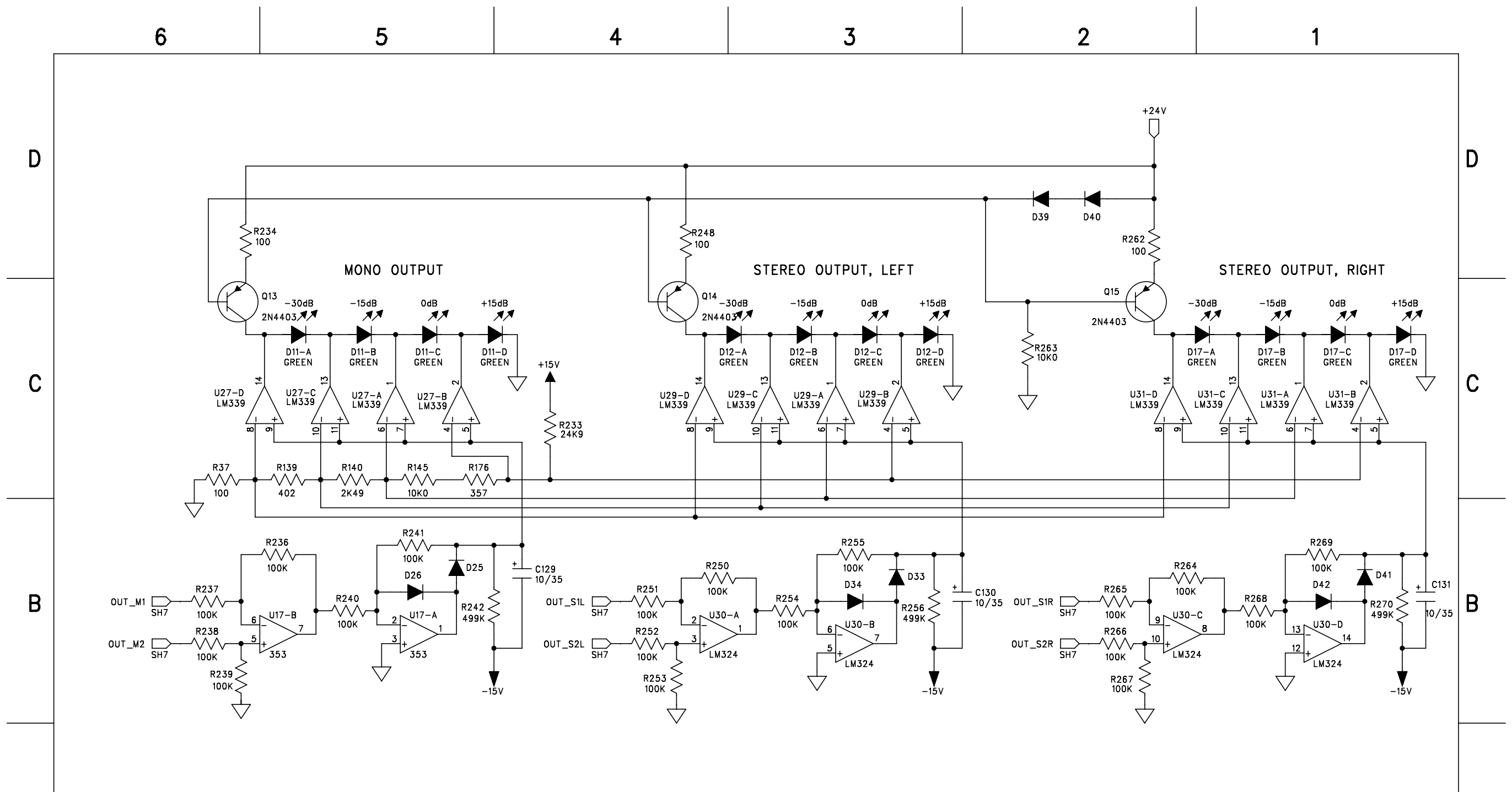
DRAWING NO: **52 450- 1** SHEET: **6 OF 9**

DRAWN: _____ DATED: _____
 RELEASED: _____ DATED: _____

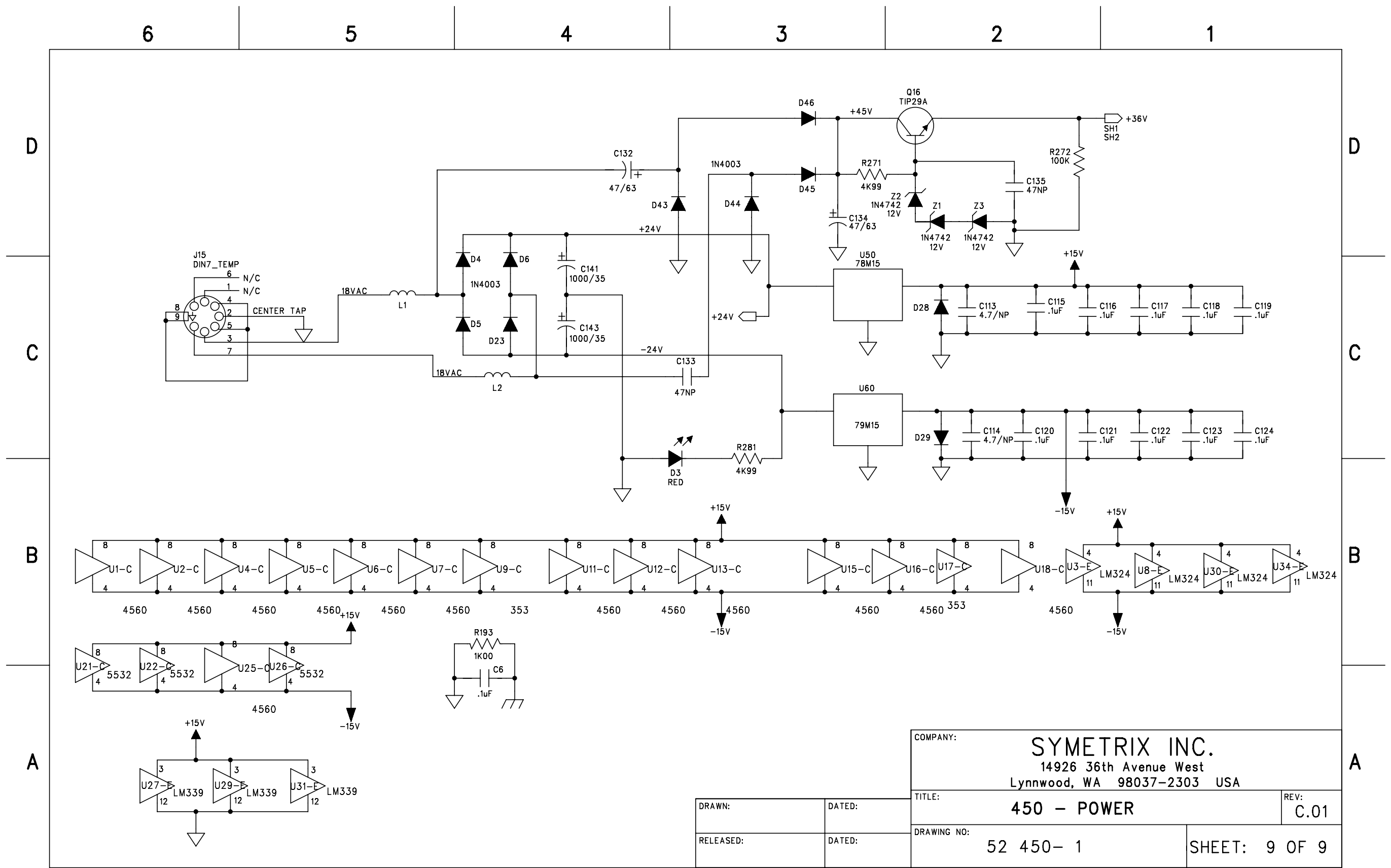


COMPANY:		SYMETRIX INC.	
		14926 35th Avenue West Lynnwood, WA 98037-2303 USA	
TITLE:		450 - GAIN CNTRL/OUTPUT DRV	REV: C.01
DRAWING NO:		52 450- 1	SHEET: 7 OF 9

DRAWN:	DATED:
RELEASED:	DATED:



COMPANY:		SYMETRIX INC.	
		14926 35th Avenue West Lynnwood, WA 98037-2303 USA	
DRAWN:	DATED:	TITLE:	REV:
		450 - LIGHT SHOW	C.01
RELEASED:	DATED:	DRAWING NO:	SHEET:
		52 450- 1	8 OF 9



COMPANY:		SYMETRIX INC.	
		14926 36th Avenue West Lynnwood, WA 98037-2303 USA	
TITLE:	450 - POWER		REV: C.01
DRAWN:	DATED:	DRAWING NO: 52 450- 1	SHEET: 9 OF 9
RELEASED:	DATED:		