

6

5

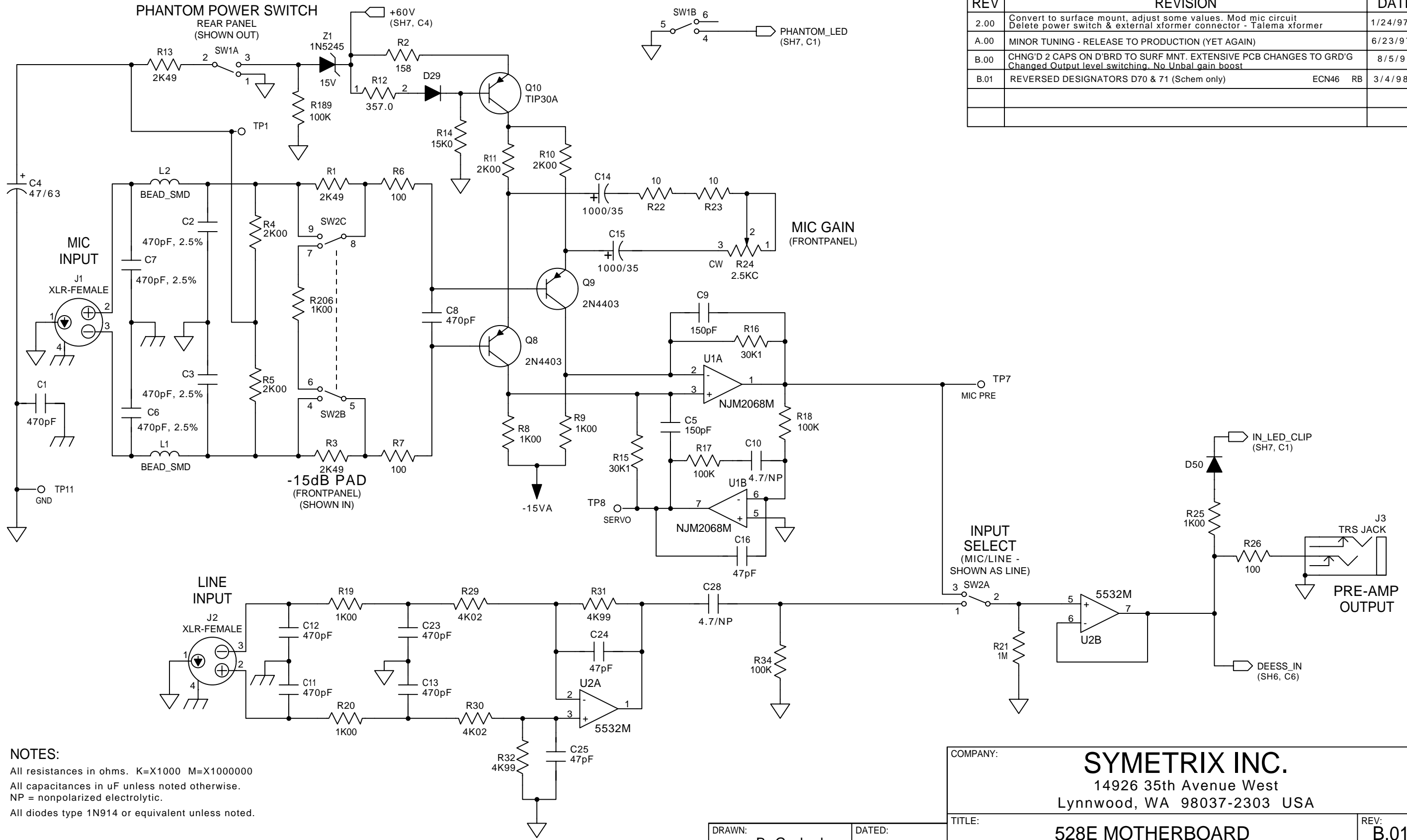
4

3

2

1

REV	REVISION	DATE
2.00	Convert to surface mount, adjust some values. Mod mic circuit Delete power switch & external xformer connector - Talema xformer	1/24/97
A.00	MINOR TUNING - RELEASE TO PRODUCTION (YET AGAIN)	6/23/97
B.00	CHNG'D 2 CAPS ON D'BRD TO SURF MNT. EXTENSIVE PCB CHANGES TO GRD'G Changed Output level switching. No Unbal gain boost	8/5/97
B.01	REVERSED DESIGNATORS D70 & 71 (Schem only)	ECN46 RB 3/4/98



NOTES:
 All resistances in ohms. K=X1000 M=X1000000
 All capacitances in uF unless noted otherwise.
 NP = nonpolarized electrolytic.
 All diodes type 1N914 or equivalent unless noted.

COMPANY: **SYMETRIX INC.**
 14926 35th Avenue West
 Lynnwood, WA 98037-2303 USA

TITLE: **528E MOTHERBOARD** REV: **B.01**

DRAWING NO: **52 528E 1** SHEET: **1 OF 9**

DRAWN: B. Gudgel	DATED:
RELEASED:	DATED:

6

5

4

3

2

1

D

D

C

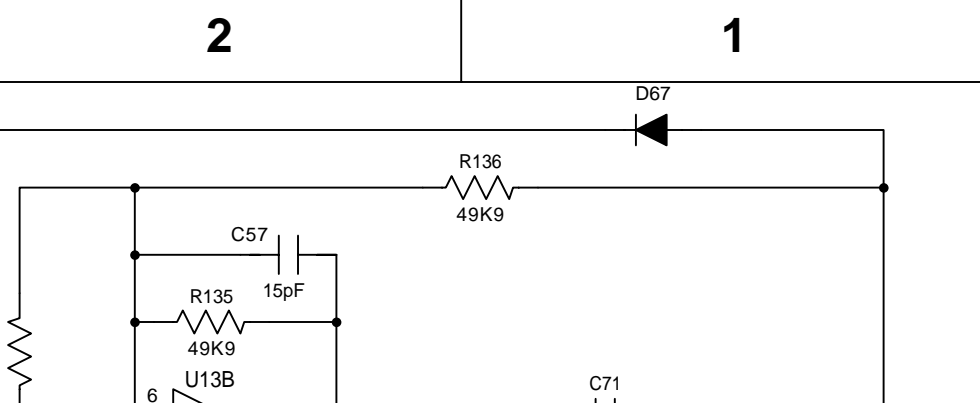
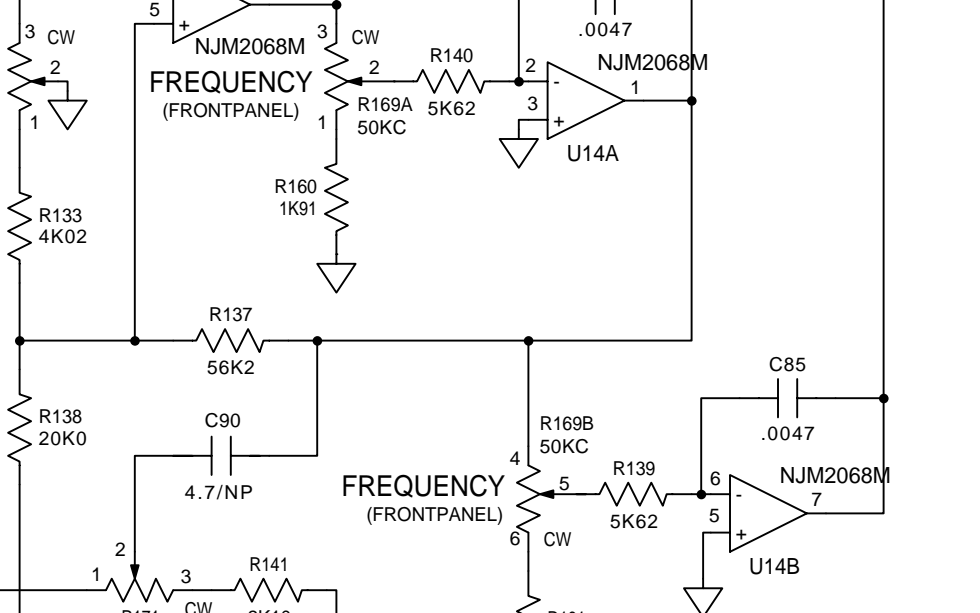
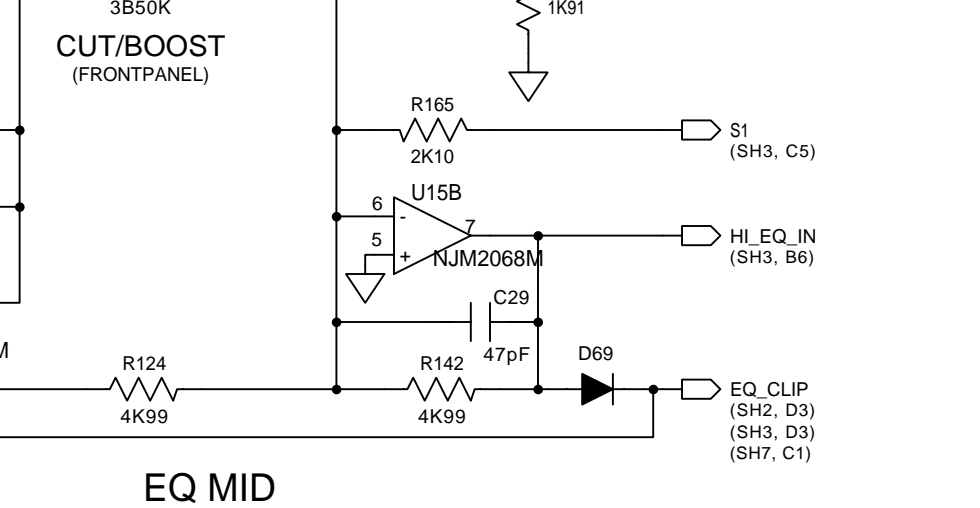
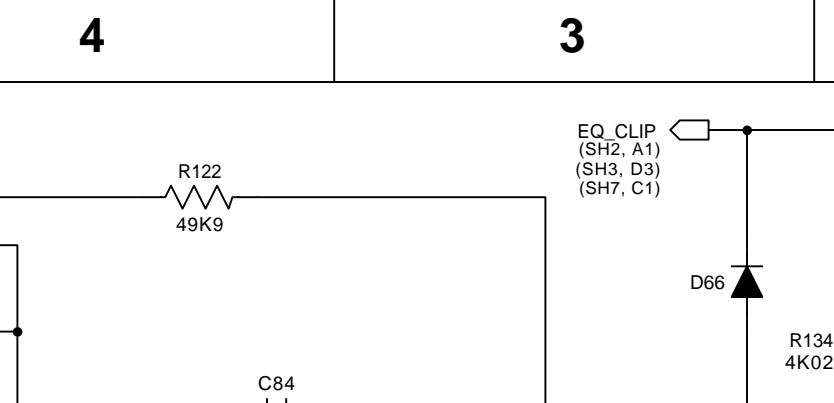
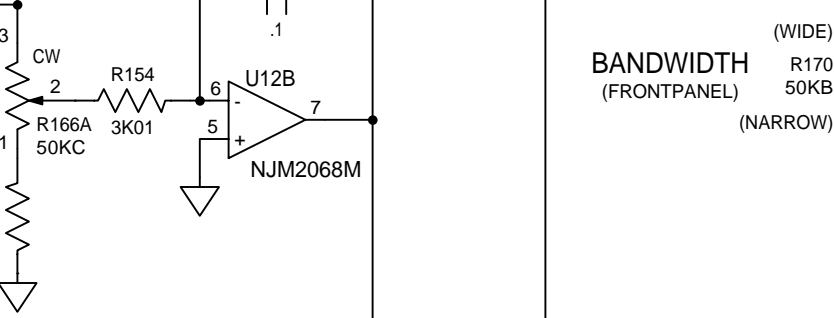
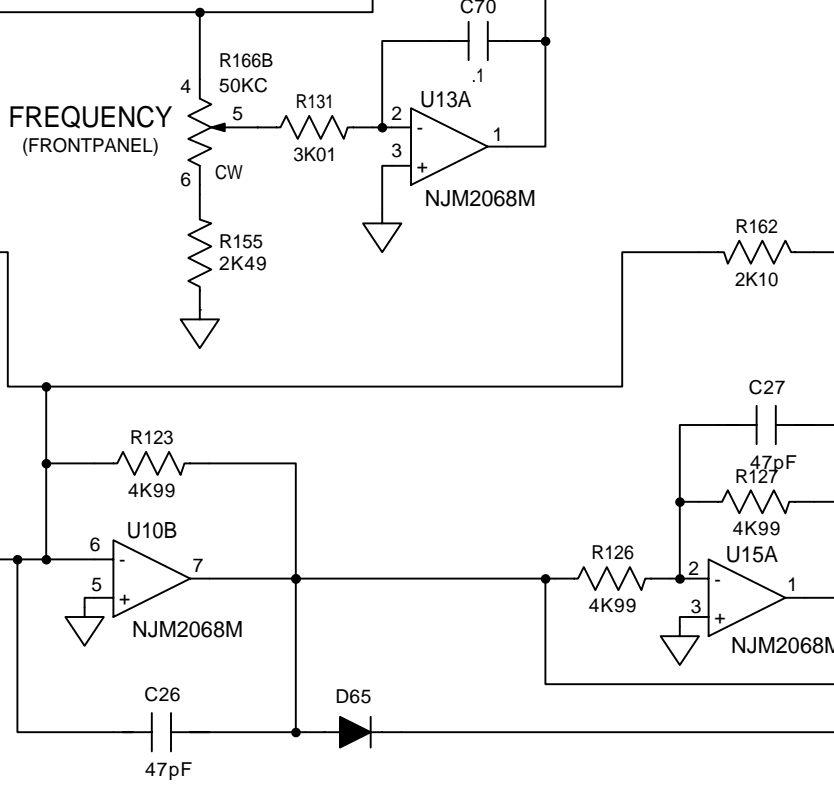
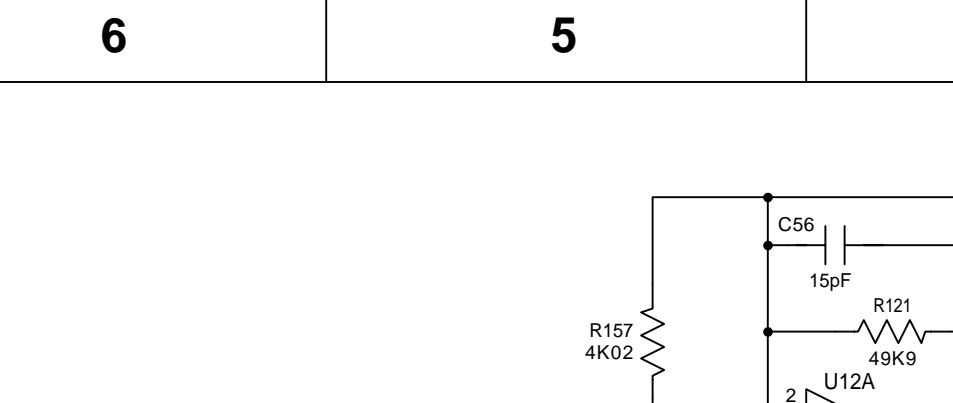
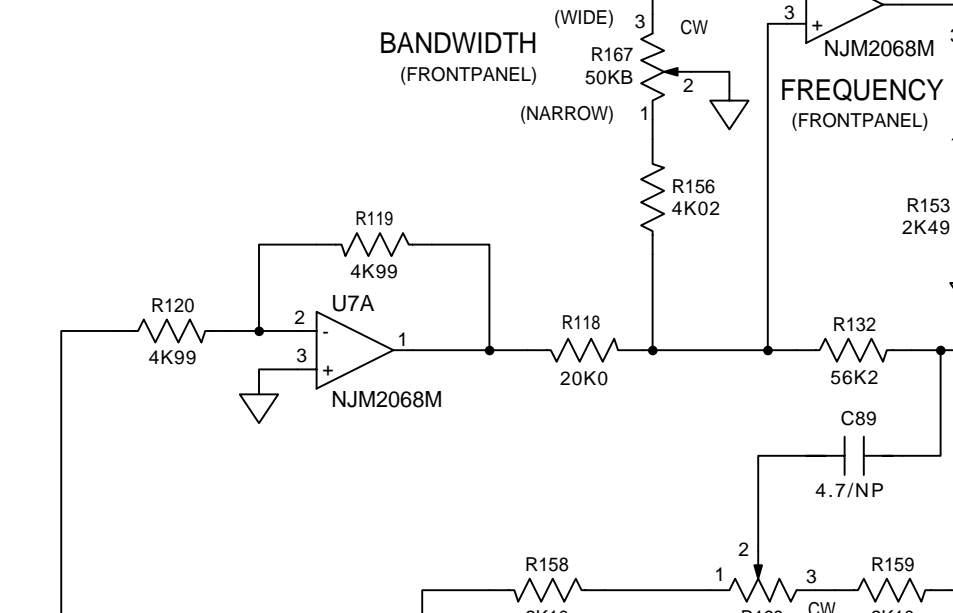
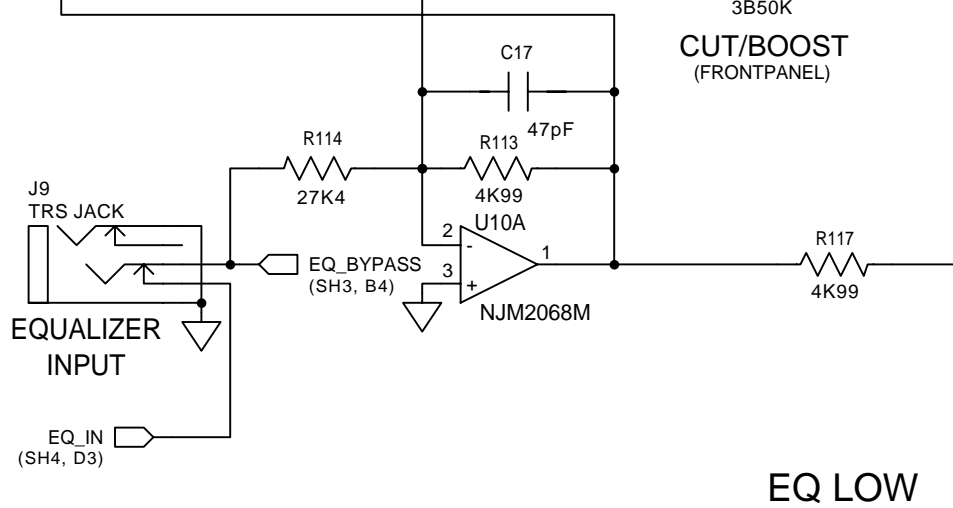
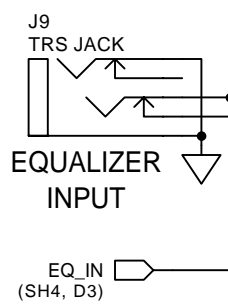
C

B

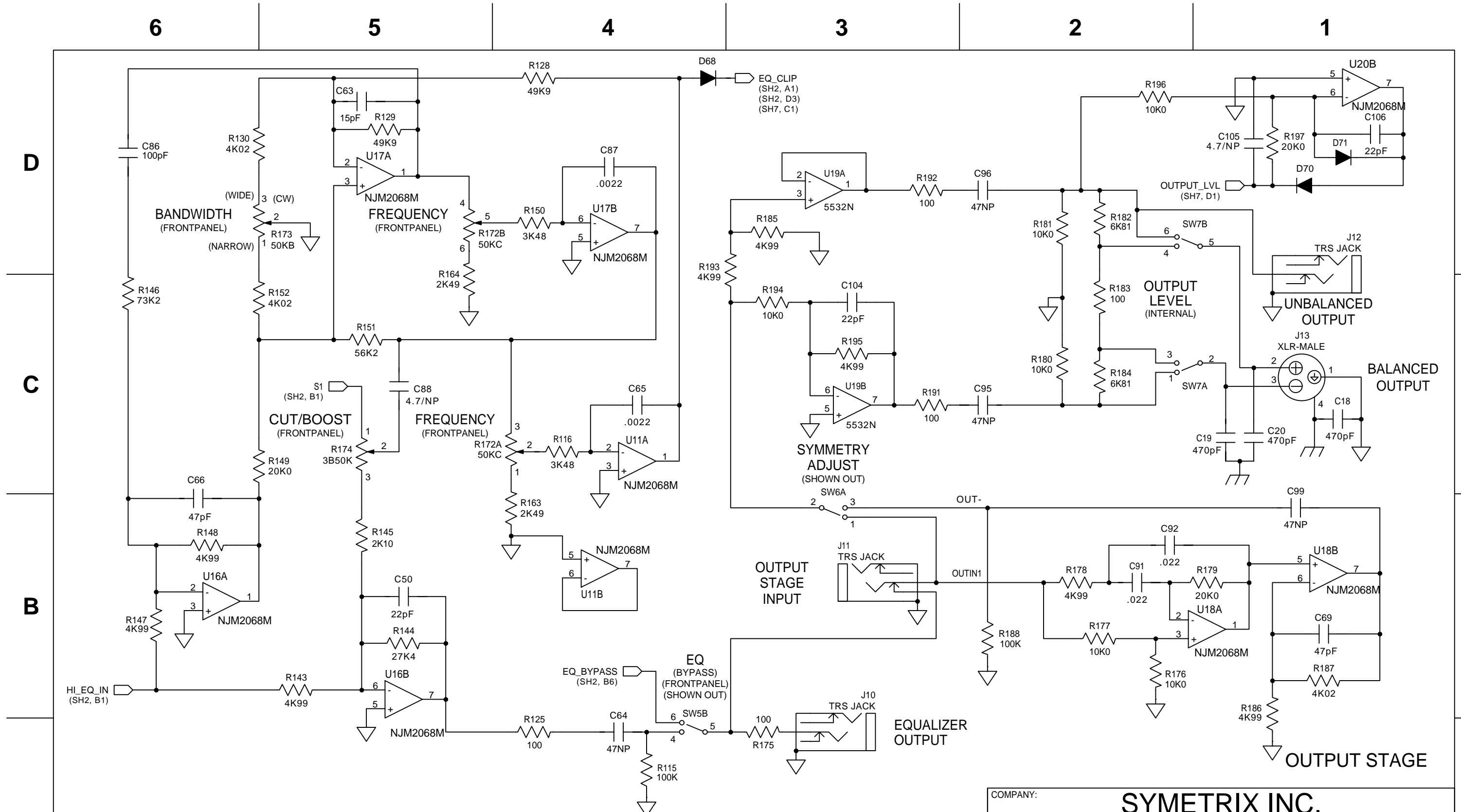
B

A

A



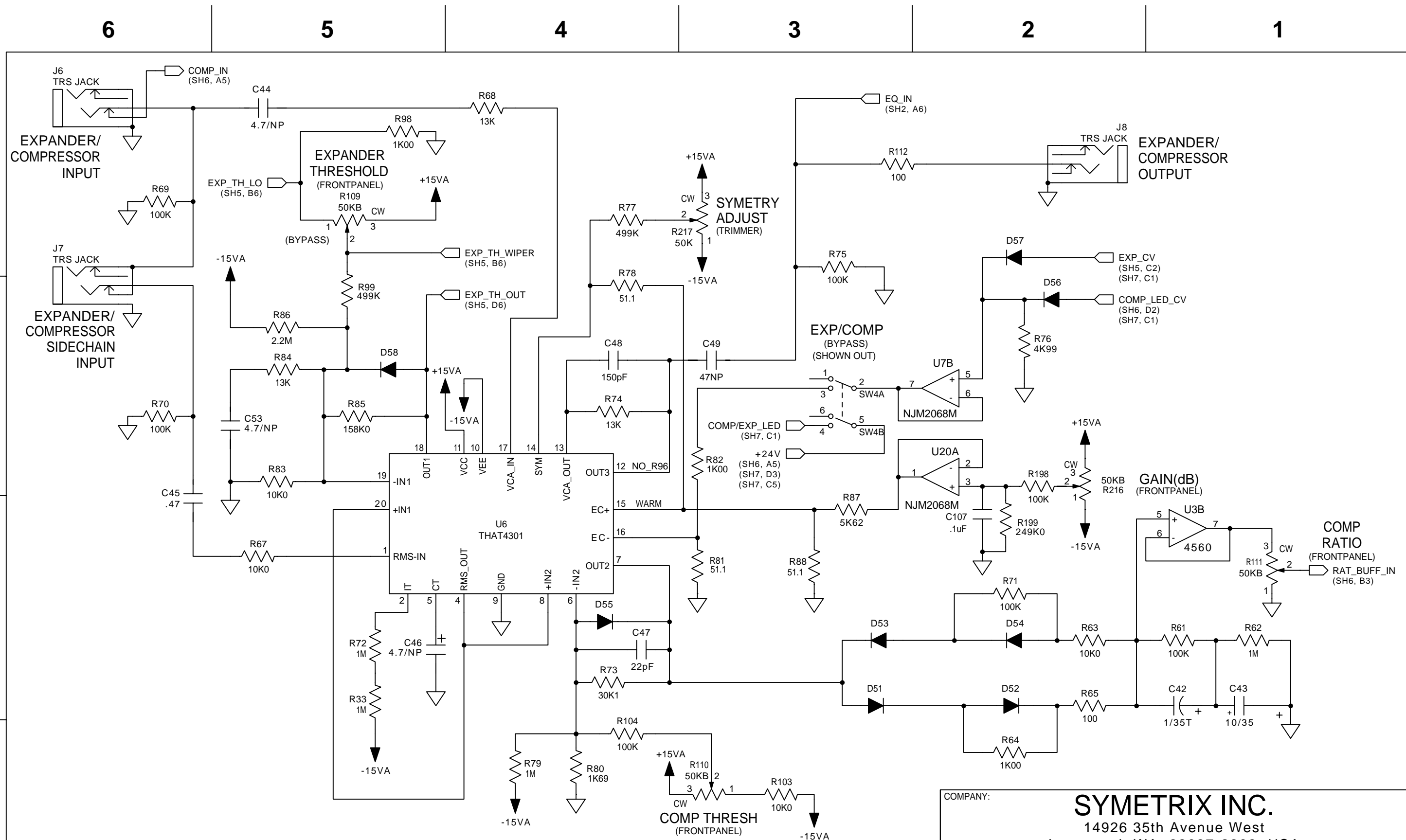
COMPANY:		SYMETRIX INC.	
		14926 35th Avenue West Lynnwood, WA 98037-2303 USA	
DRAWN:		TITLE:	
B. Gudgel		528E MOTHERBOARD	
DATED:		REV:	
		B.01	
RELEASED:		DRAWING NO:	
		52 528E 1	
DATED:		SHEET: 2 OF 9	



EQ HIGH

COMPANY:		SYMETRIX INC.	
		14926 35th Avenue West Lynnwood, WA 98037-2303 USA	
TITLE:		528E MOTHERBOARD	REV: B.01
DRAWING NO:		52 528E 1	SHEET: 3 OF 9

DRAWN:	DATED:
B. Gudgel	
RELEASED:	DATED:



COMPANY:		SYMETRIX INC.	
		14926 35th Avenue West Lynnwood, WA 98037-2303 USA	
TITLE:		528E MOTHERBOARD	REV: B.01
DRAWING NO:		52 528E 1	SHEET: 4 OF 9

DRAWN:	DATED:
B. Gudgel	
RELEASED:	DATED:

6

5

4

3

2

1

D

D

C

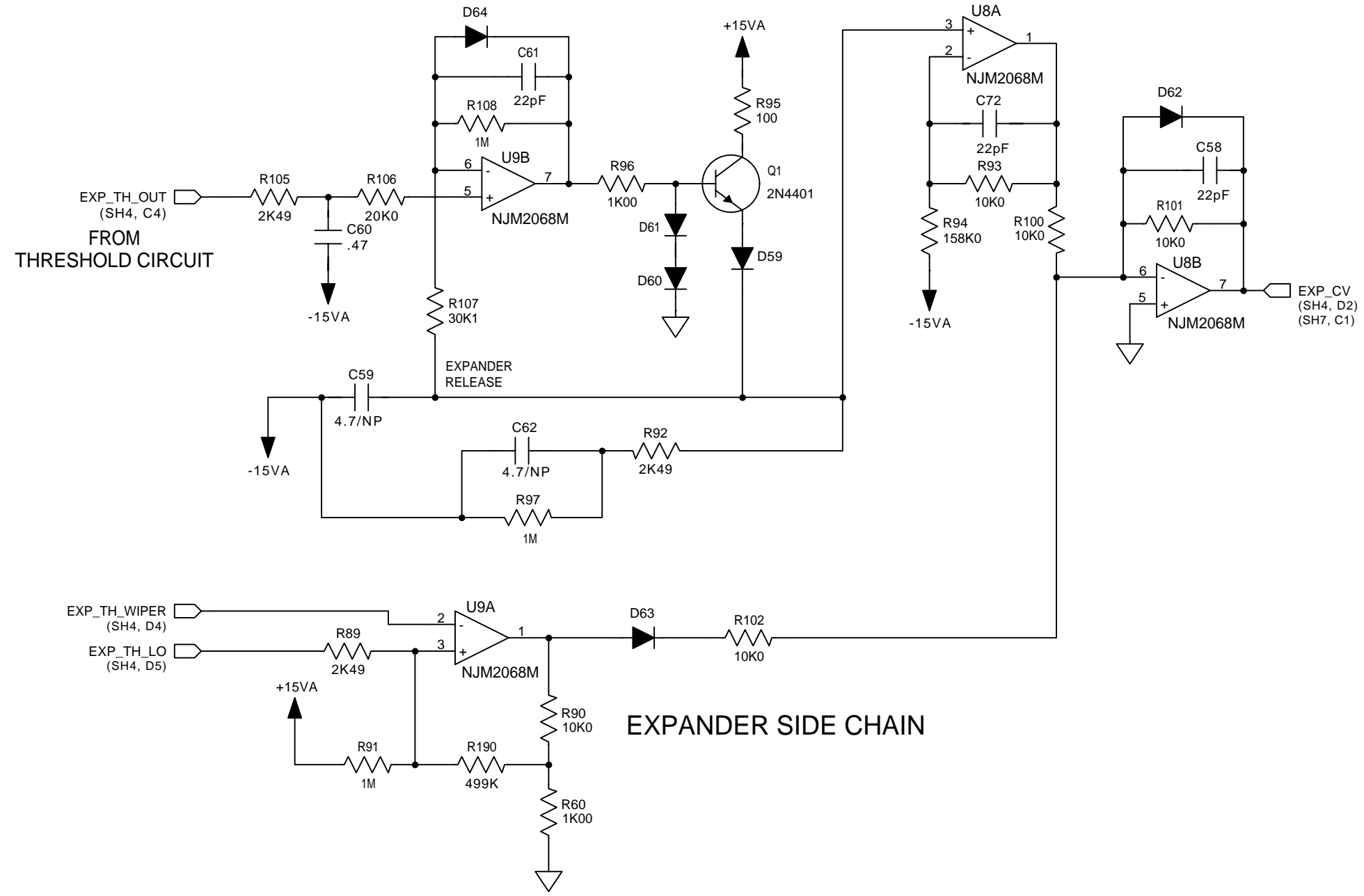
C

B

B

A

A



EXPANDER SIDE CHAIN

FROM THRESHOLD CIRCUIT

COMPANY:		SYMETRIX INC.	
		14926 35th Avenue West Lynnwood, WA 98037-2303 USA	
DRAWN:	DATED:	TITLE:	REV:
B. Gudgel		528E MOTHERBOARD	B.01
RELEASED:	DATED:	DRAWING NO:	SHEET: 5 OF 9
		52 528 1	

6

5

4

3

2

1

D

D

C

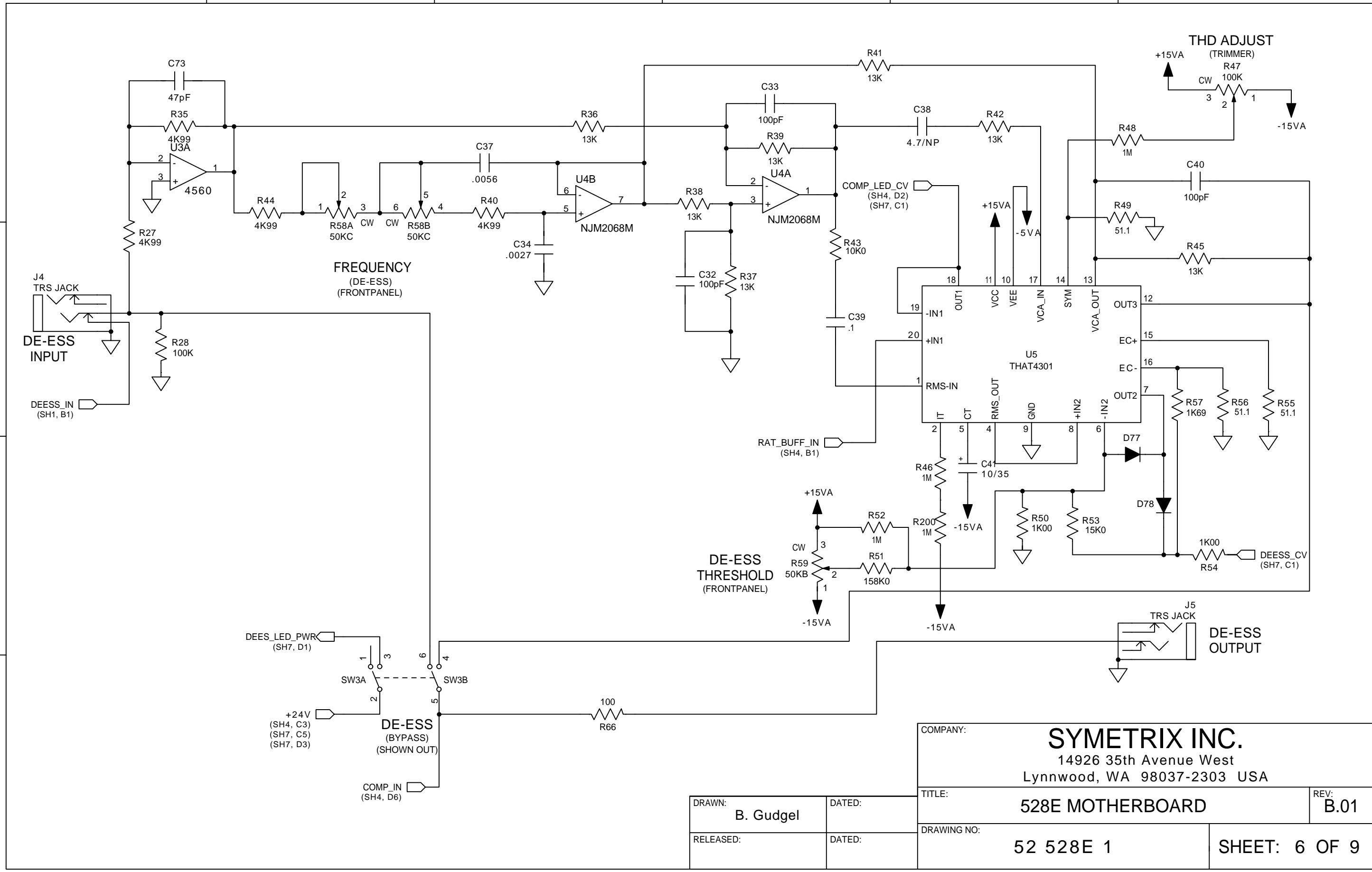
C

B

B

A

A



COMPANY:		SYMETRIX INC.	
		14926 35th Avenue West Lynnwood, WA 98037-2303 USA	
DRAWN:		TITLE:	
B. Gudgel		528E MOTHERBOARD	
DATED:		REV:	
		B.01	
RELEASED:		DRAWING NO:	SHEET: 6 OF 9
		52 528E 1	

6

5

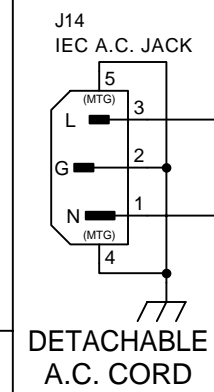
4

3

2

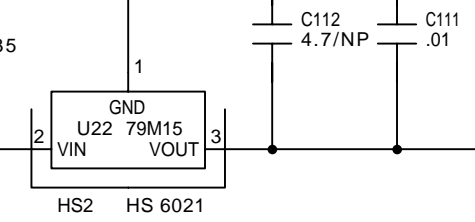
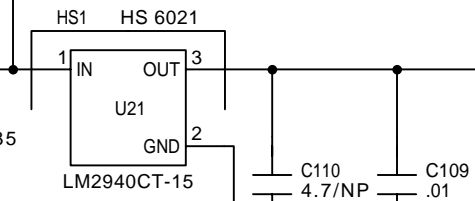
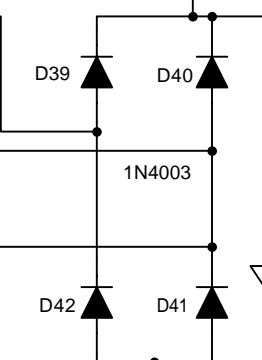
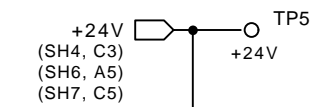
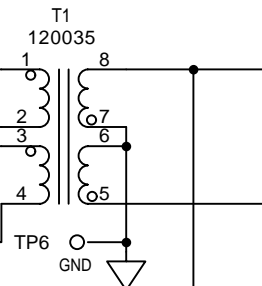
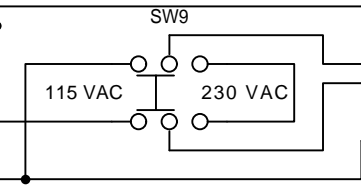
1

POWER SUPPLY



FUSE:
 .25A EURO FUSE = 240VAC
 .5A FUSE = 117VAC

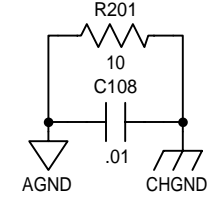
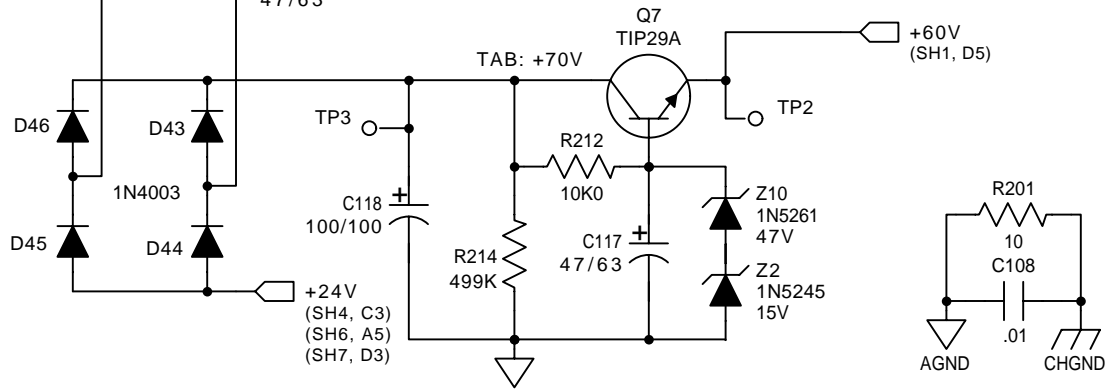
A.C. RANGE SELECT SW.
 SW9



+15VA

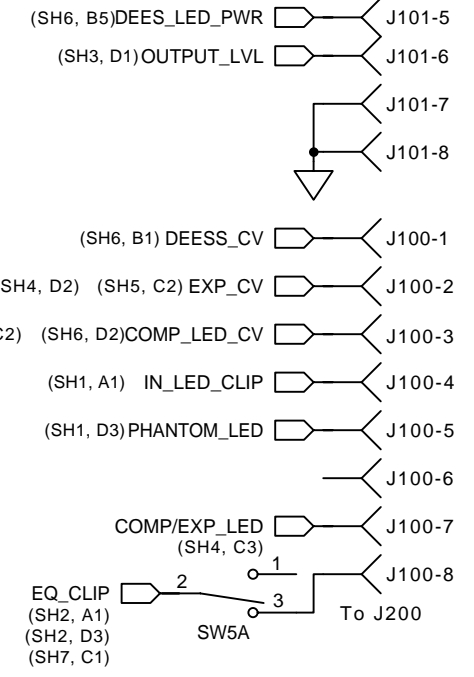
-15VA

DETACHABLE A.C. CORD



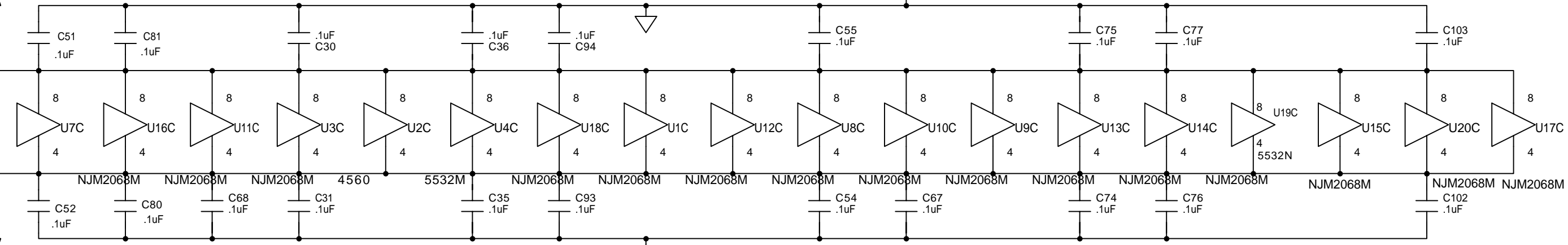
-24V

POWER



+15VA

-15VA



COMPANY:		SYMETRIX INC.	
		14926 35th Avenue West Lynnwood, WA 98037-2303 USA	
DRAWN:		TITLE:	
B. Gudgel		528E MOTHERBOARD	
DATED:		REV:	
		B.01	
RELEASED:		DRAWING NO:	SHEET: 7 OF 9
		52 528E 1	

D

D

C

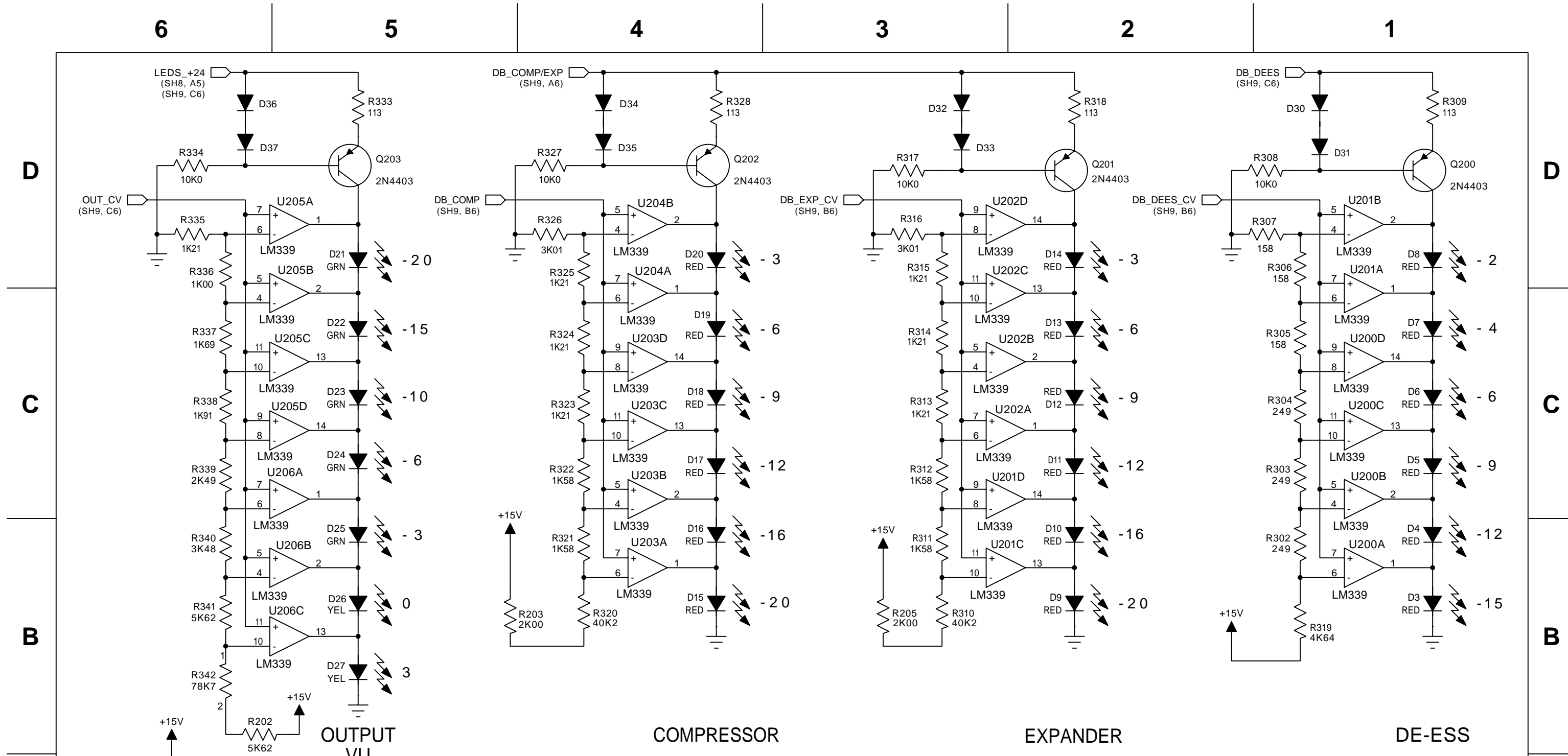
C

B

B

A

A



COMPANY:		SYMETRIX INC.	
		14926 35th Avenue West Lynnwood, WA 98037-2303 USA	
TITLE:		528E DAUGHTERBOARD	REV: B.01
DRAWING NO:		52 528E 1	SHEET: 8 OF 9

DRAWN:	DATED:
B. Gudgel	
RELEASED:	DATED:

6

5

4

3

2

1

D

D

C

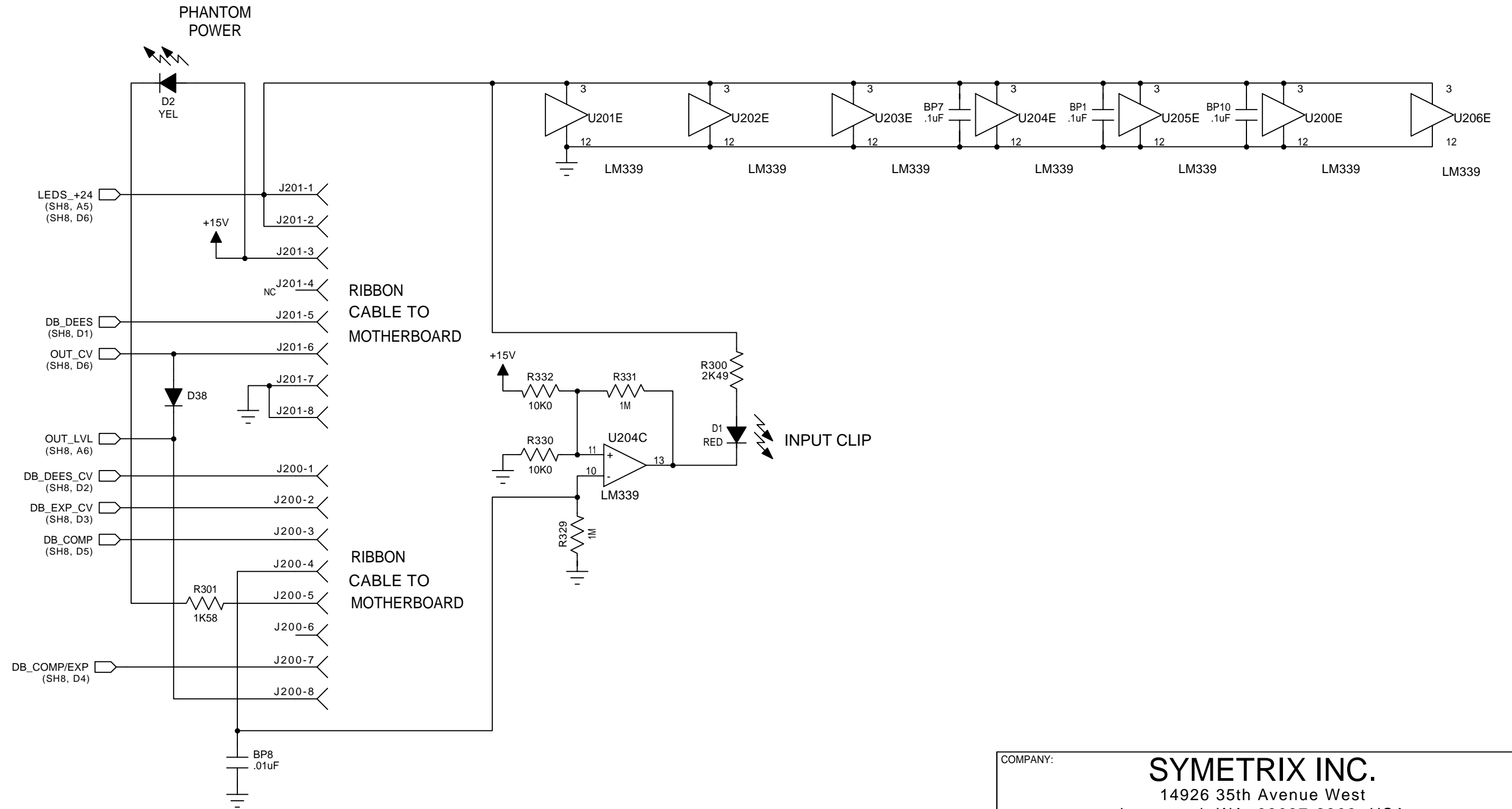
C

B

B

A

A



COMPANY:		SYMETRIX INC.	
		14926 35th Avenue West Lynnwood, WA 98037-2303 USA	
TITLE:		528E DAUGHTERBOARD	REV: B.01
DRAWING NO:		52 528E 1	SHEET: 9 OF 9

DRAWN:	DATED:
B. Gudgel	
RELEASED:	DATED:

6

5

4

3

2

1

D

D

C

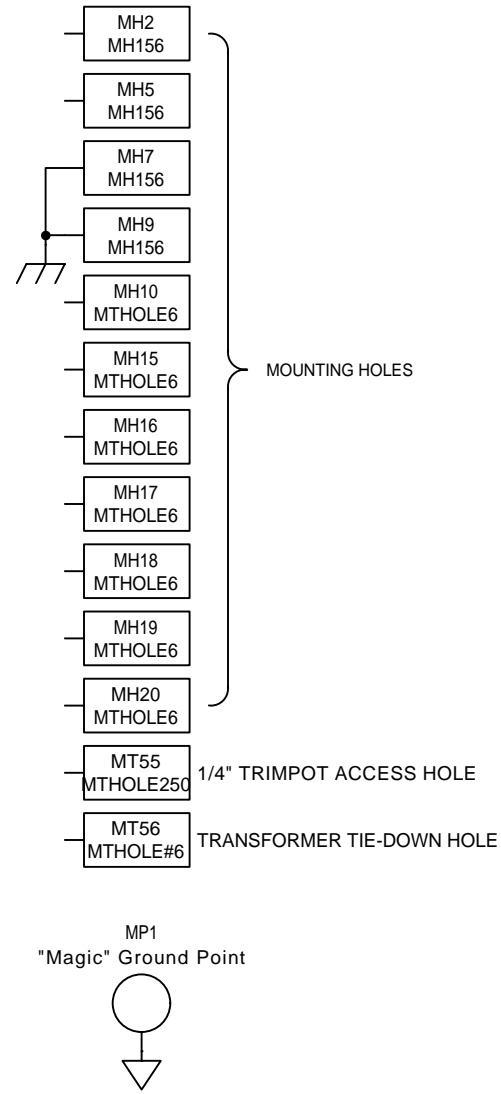
C

B

B

A

A



COMPANY:		SYMETRIX INC. 14926 35th Avenue West Lynnwood, WA 98037-2303 USA	
TITLE:		528E (Junque Page)	REV: B.01
DRAWING NO:		52 528E 1	SHEET: 10 OF 9

DRAWN:	DATED:
RELEASED:	DATED: