

REV	REVISION	DATE
A.0	Original	
A.1	Correct title block & various other. Add rev block.	5/4/95
B.0	Correct MIC GAIN, PWR TRIM, and CE PWR. Added output.	8/18/95
C.0	Changed various resistors. Changed ribbon cables.	11/01/95
D.0	Added output. Changed R15 & R19 from 10K to 10.5K. Changed R16 & R18 from 10K to 10.5K.	12/20/95
D.1	SW2B found reversed in schematic only.	05/08/96

COMPANY: **SYMETRIX INC.**
 14926 35th Avenue West
 Lynnwood, WA 98037-2303 USA

DRAWING NO: 021528

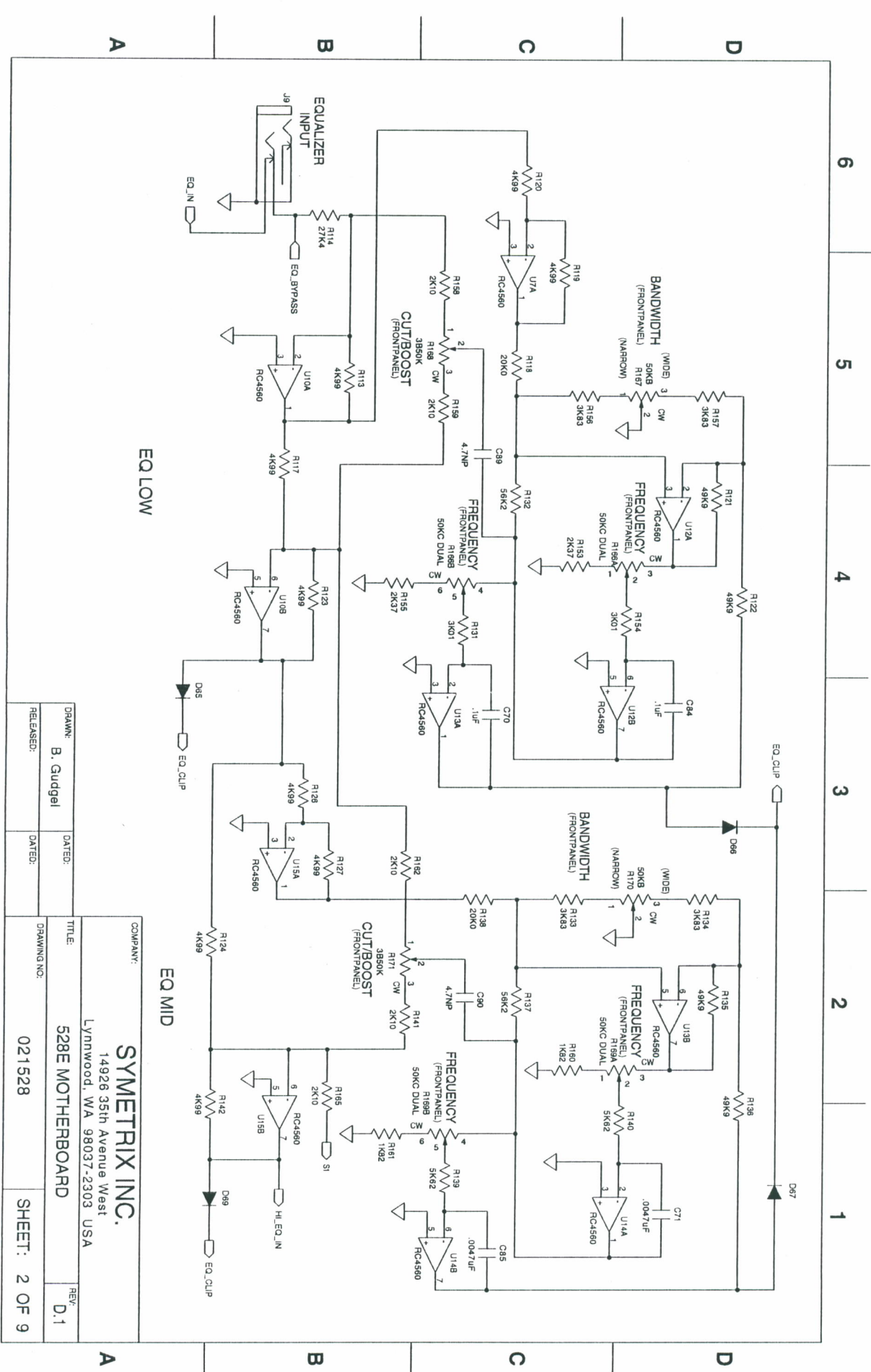
REV: D.1

SHEET: 1 OF 9

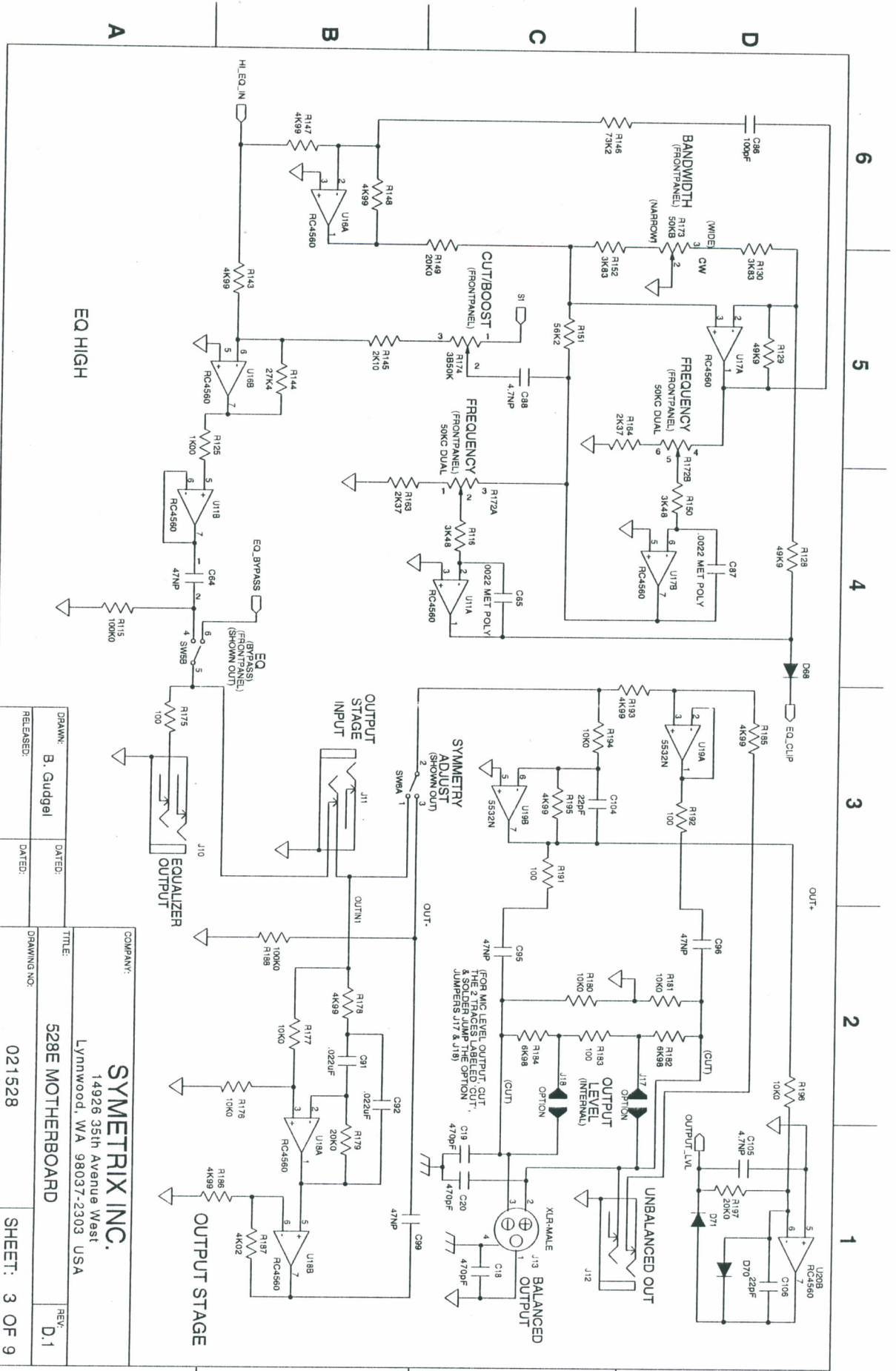
DRAWN: B. Gudgel	DATED:
RELEASED:	DATED:

TITLE: **528E MOTHERBOARD**

A B C D 6 5 4 3 2 1



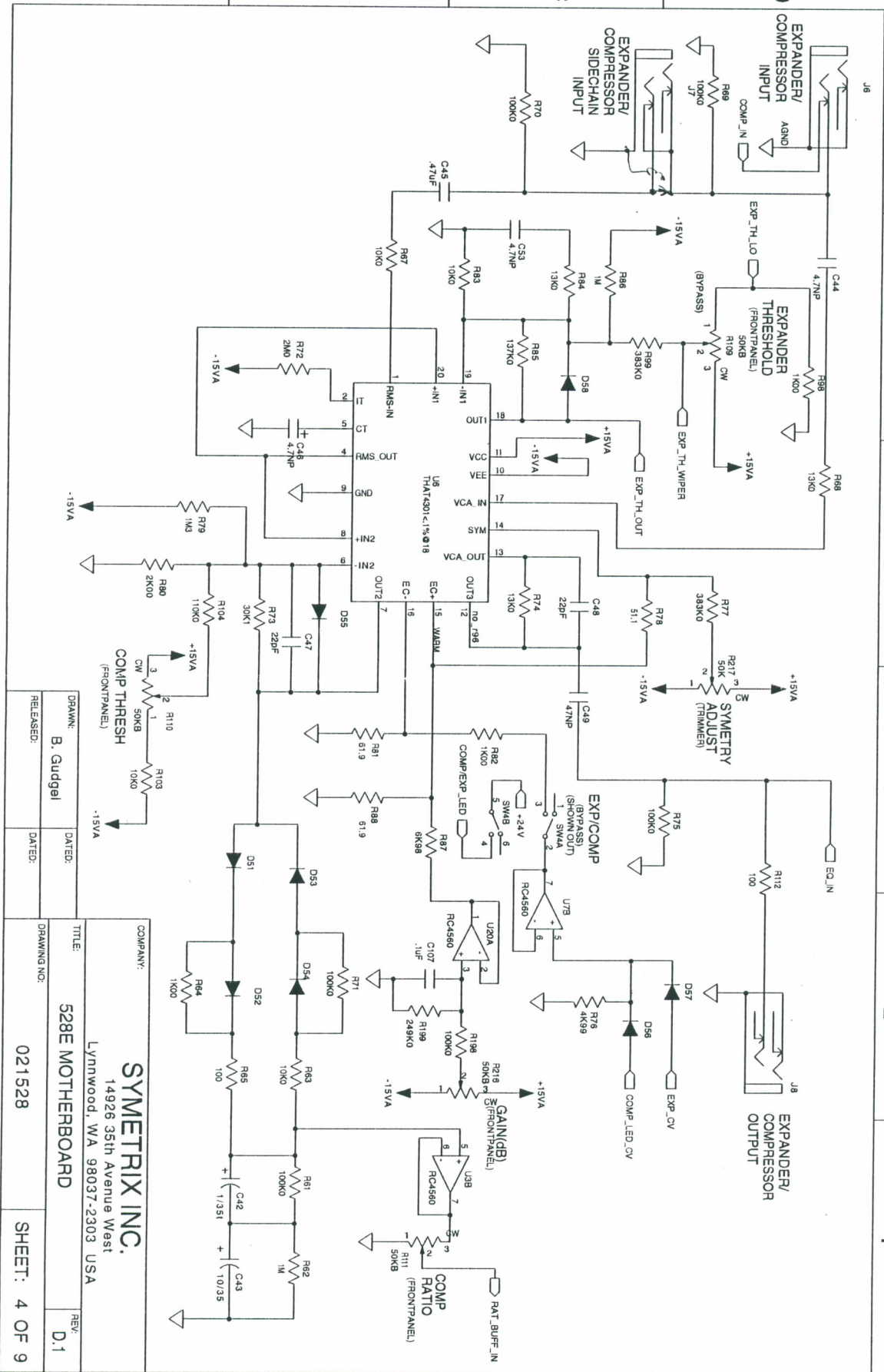
DRAWN: B. Gudgeal		DATED:	
RELEASED:		DATED:	
DRAWING NO: 021528		SHEET: 2 OF 9	
TITLE: 528E MOTHERBOARD		REV: D.1	
COMPANY: SYMETRIX INC. 14926 35th Avenue West Lynnwood, WA 98037-2303 USA			



COMPANY:		SYMETRIX INC.	
DRAWN:		B. Gudgel	
RELEASED:		DATED:	
DRAWING NO.:		021528	
TITLE:		528E MOTHERBOARD	
REV.:		D.1	
SHEET:		3 OF 9	

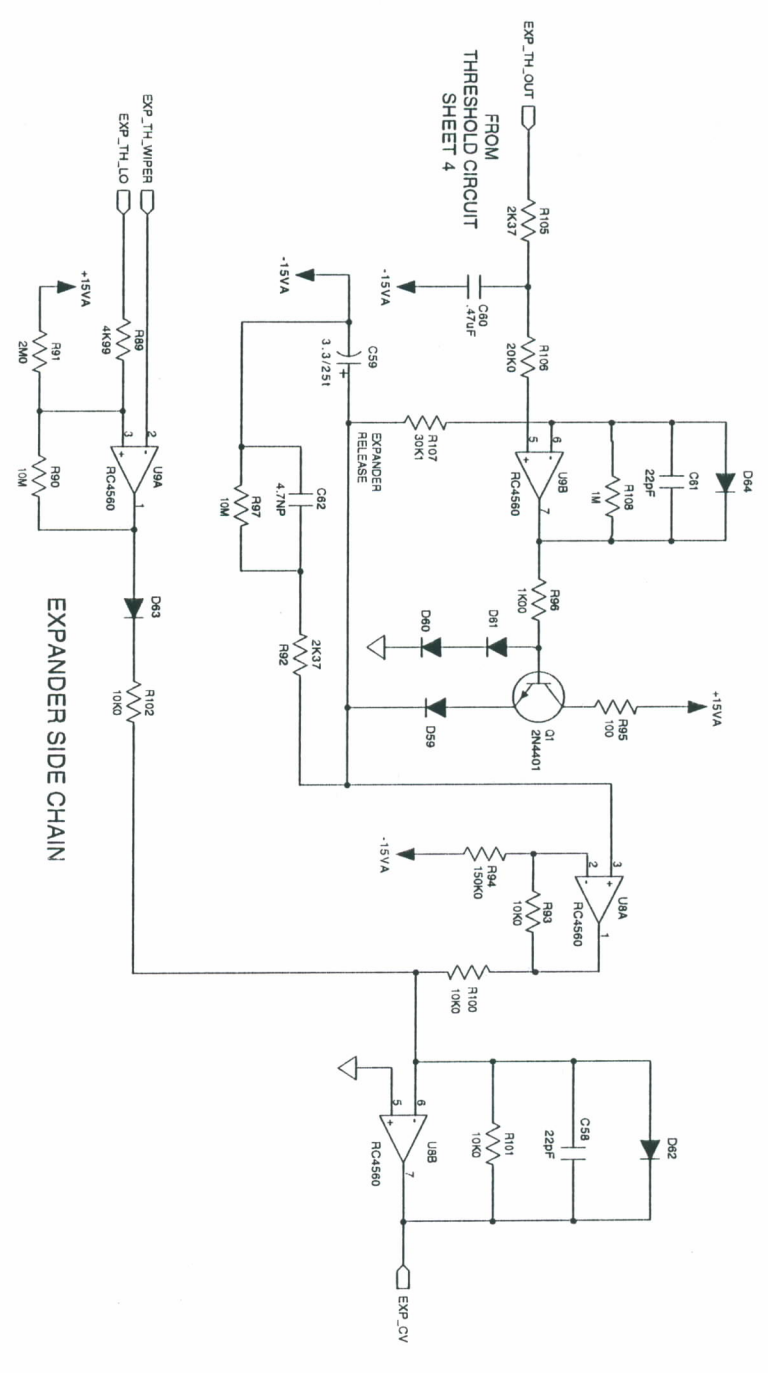
EQ HIGH

14926 35th Avenue West
Lynnwood, WA 98037-2303 USA

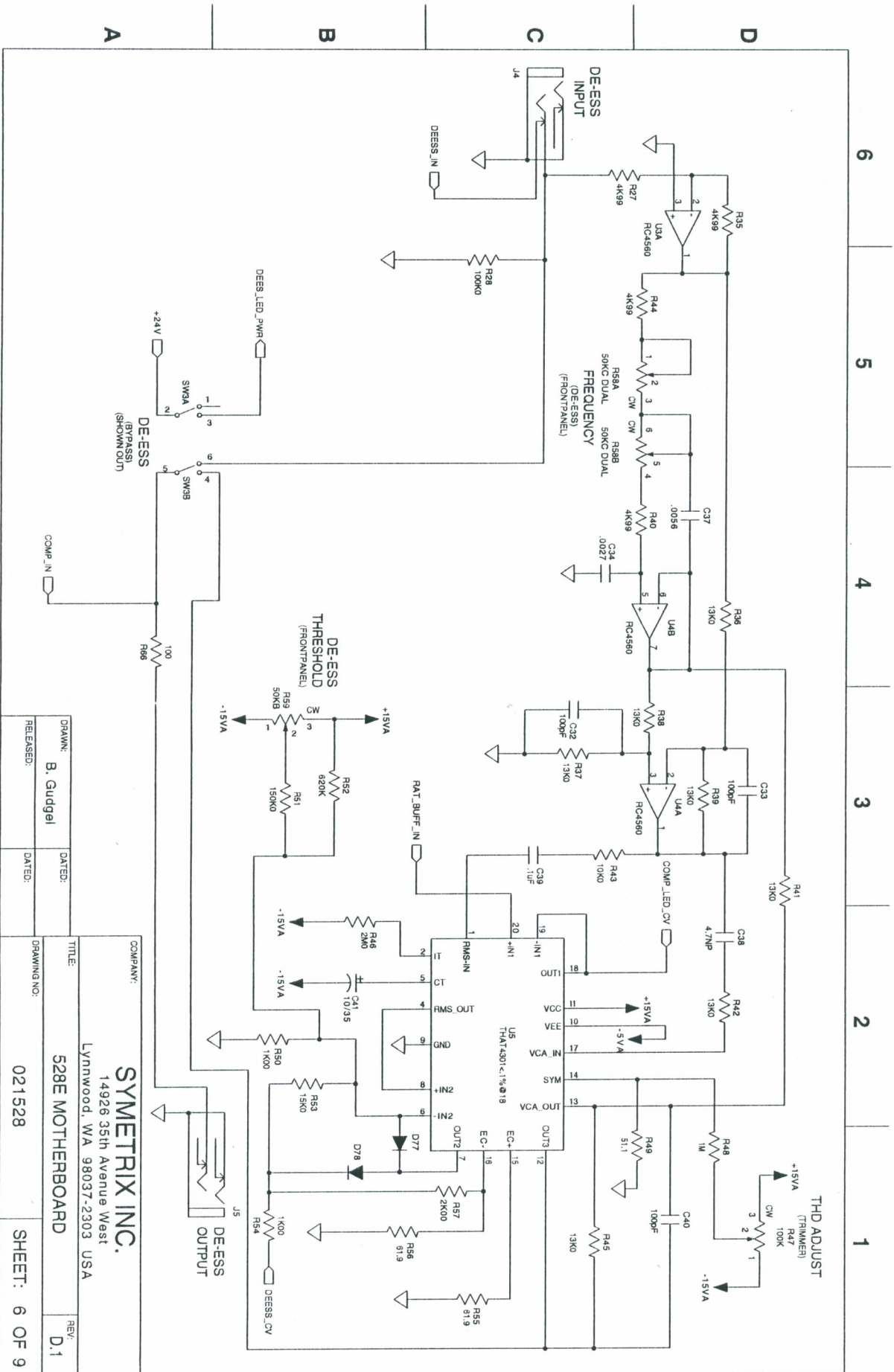


DRAWN: B. Gudgal
 RELEASED:
 DATED:
 DATED:

COMPANV: SYMETRIX INC.
 14926 35th Avenue West
 Lynnwood, WA 98037-2303 USA
 TITLE: 528E MOTHERBOARD
 DRAWING NO: 021528
 REV: D.1
 SHEET: 4 OF 9



COMPANY:		SYMETRIX INC.	
DRAWN:		B. Gudgel	
RELEASED:		DATED:	
DRAWING NO.:		528E MOTHERBOARD	
TITLE:		14926 35th Avenue West	
REV.:		Lynnwood, WA 98037-2303 USA	
DATED:		021528	
DRAWING NO.:		SHEET: 5 OF 9	

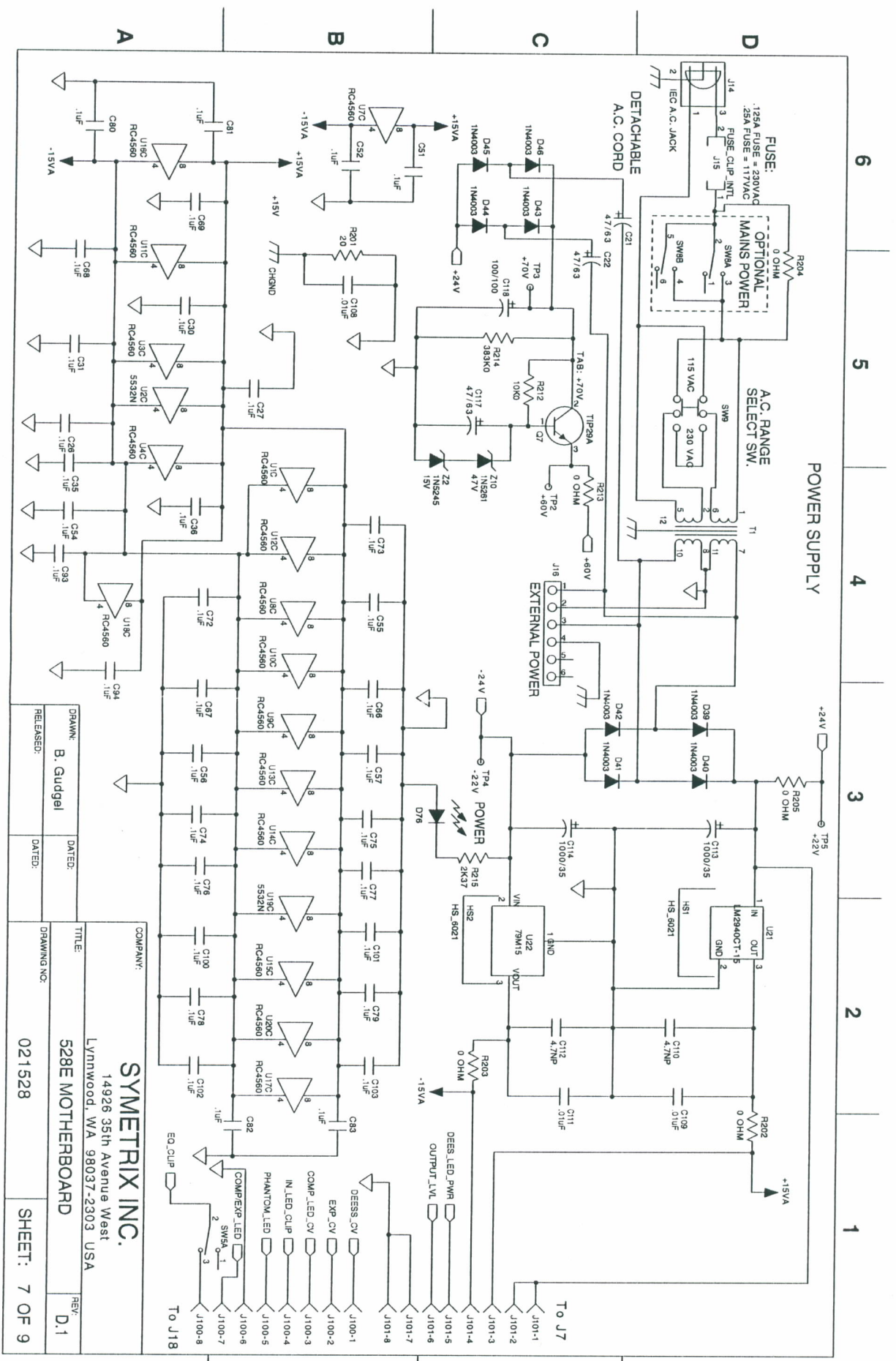


COMPANY:	SYMETRIX INC.
TITLE:	528E MOTHERBOARD
DRAWING NO.:	021528
DATE:	
DESIGNED BY:	B. Gudgel
RELEASED:	

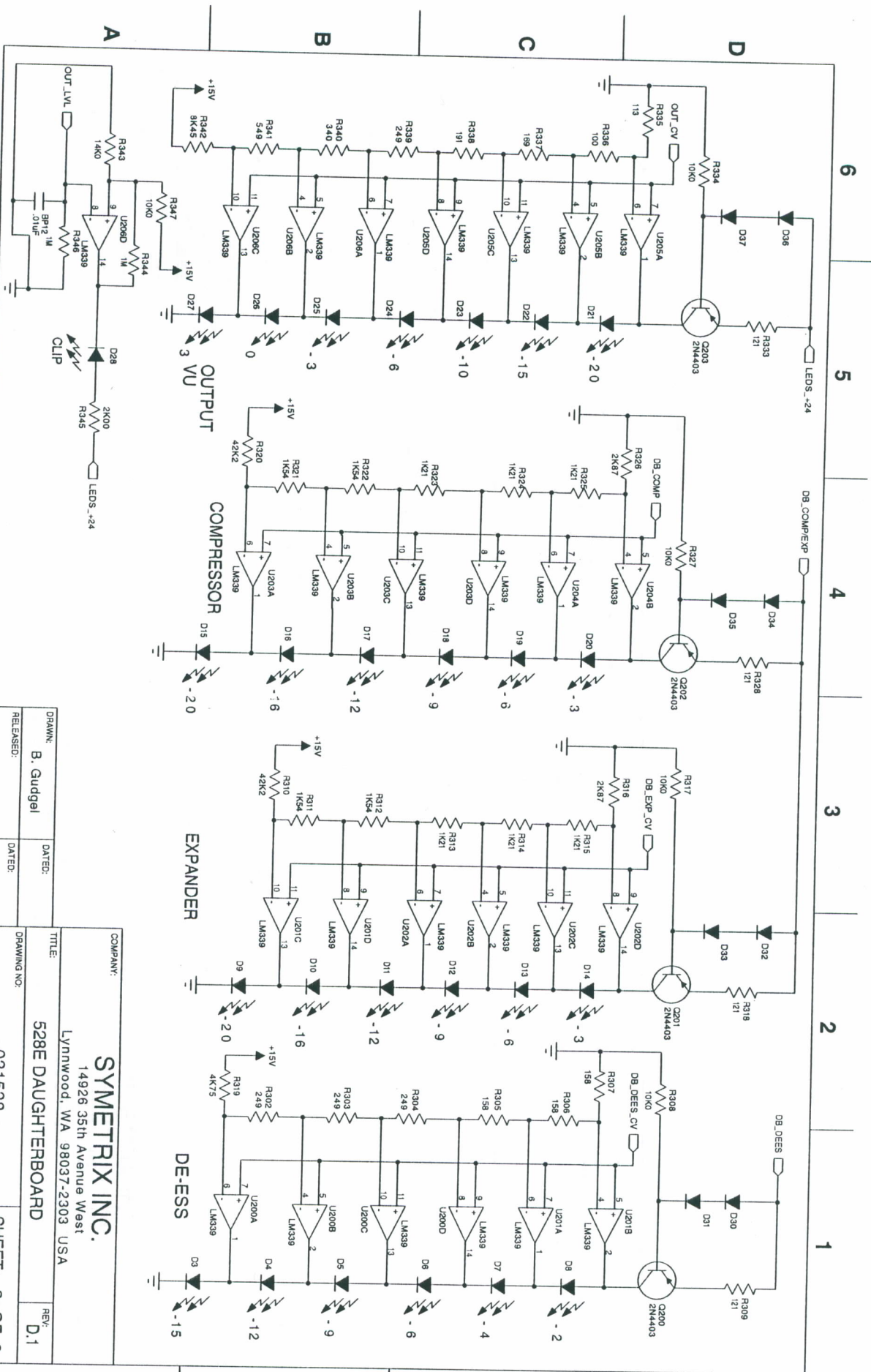
COMPANY:	SYMETRIX INC.
TITLE:	528E MOTHERBOARD
DRAWING NO.:	021528
DATE:	
DESIGNED BY:	B. Gudgel
RELEASED:	

14926 35th Avenue West
 Lynnwood, WA 98037-2303 USA

SHEET: 6 OF 9



COMPANY:	SYMETRIX INC.		
ADDRESS:	14926 35th Avenue West LYNNWOOD, WA 98037-2303 USA		
TITLE:	528E MOTHERBOARD		
REV:	D.1		
DATE:	DATE:	DATE:	DATE:
DESIGNED BY:	B. Gudgel	DATE:	
DRAWN BY:	B. Gudgel	DATE:	
RELEASED:		DATE:	
DRAWING NO:	021528		
SHEET:	7 OF 9		



DRAWING NO. 021528		TITLE: 528E DAUGHTERBOARD	
COMPANY: SYMETRIX INC.	14926 35th Avenue West	LYNNWOOD, WA 98037-2303	USA
DESIGNED BY: B. Gudgeal	DATE: _____	DRAWN BY: _____	REV: D.1
RELEASED: _____	DATE: _____	DRAWING NO. 021528	SHEET: 8 OF 9