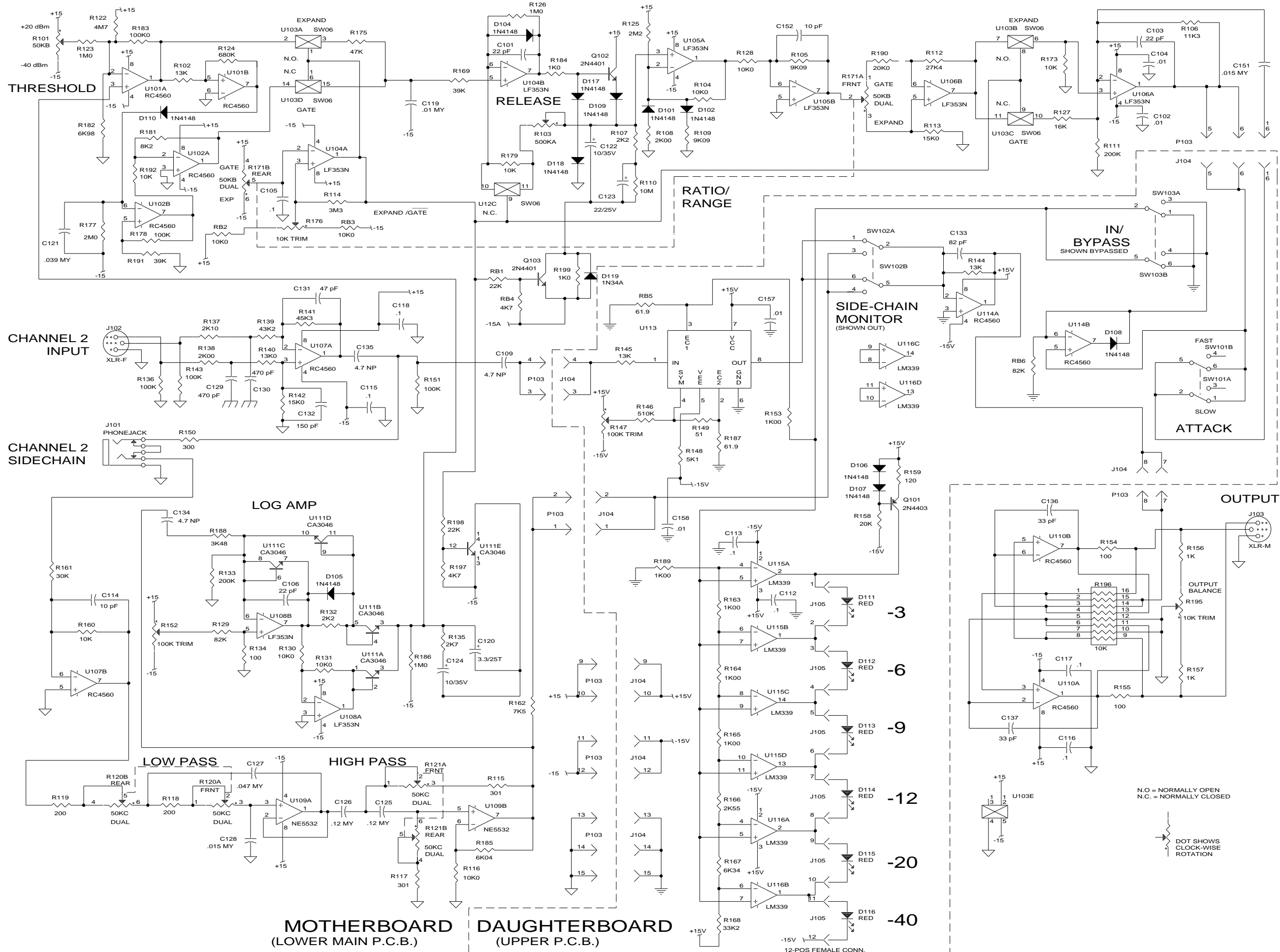


Symetrix		564E Quad Expander/ Gate Schematics		DWG NO. 021760/1-SCH	DWG REV. G0
		ENG. MANF. PURCH. DATE	DATE	DATE	DATE
REV#:	REVISIONS:	DATE	DATE	DATE	DATE
		James Husted		6/11/93	SHEET 1 OF 5



Symetrix

564E Quad Expander/  
Gate Schematic

DWG NO. 021760/1-SCH  
REV. G0

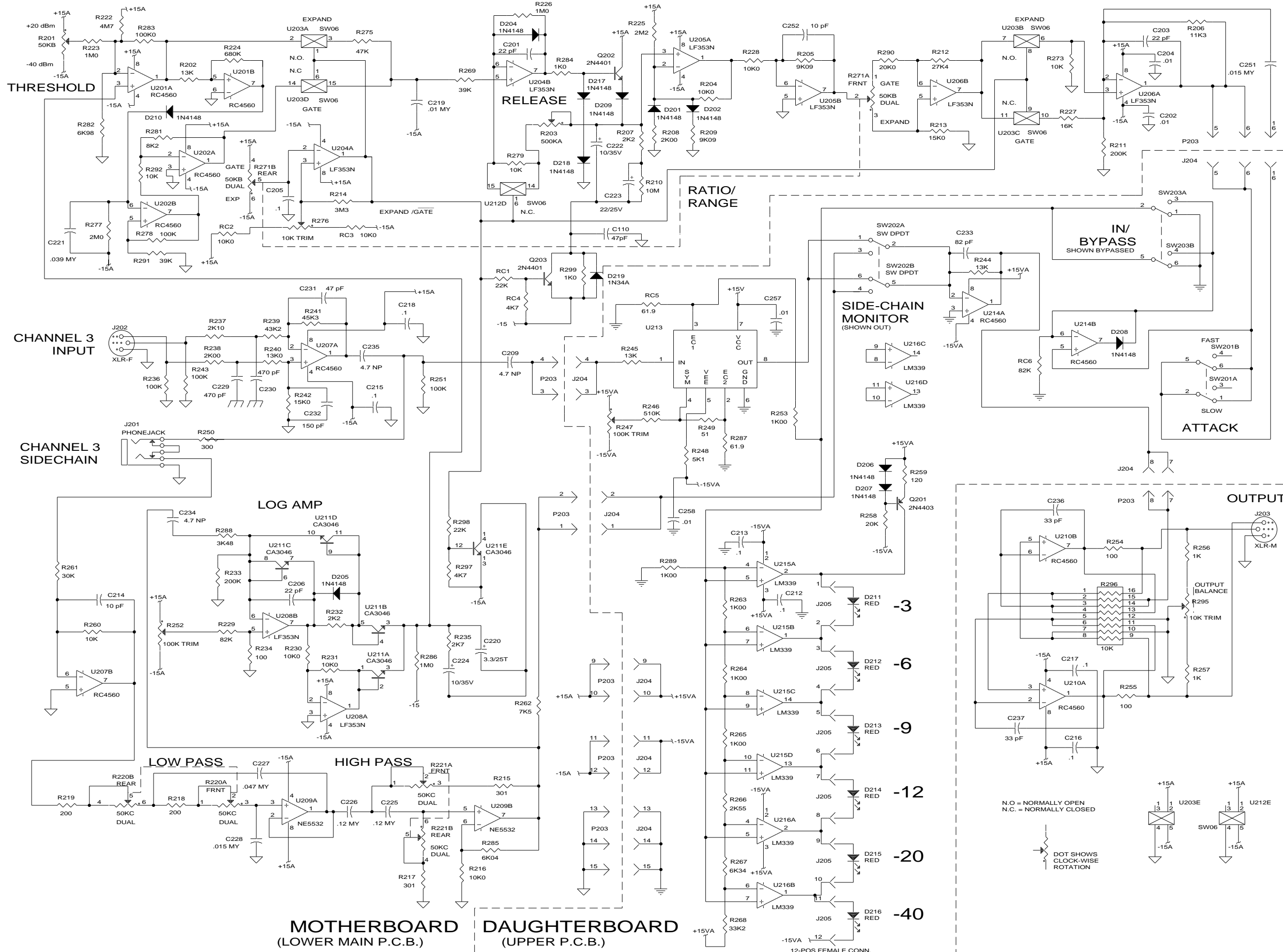
DATE 6-11-93  
SHEET 2 OF 5


James Husted

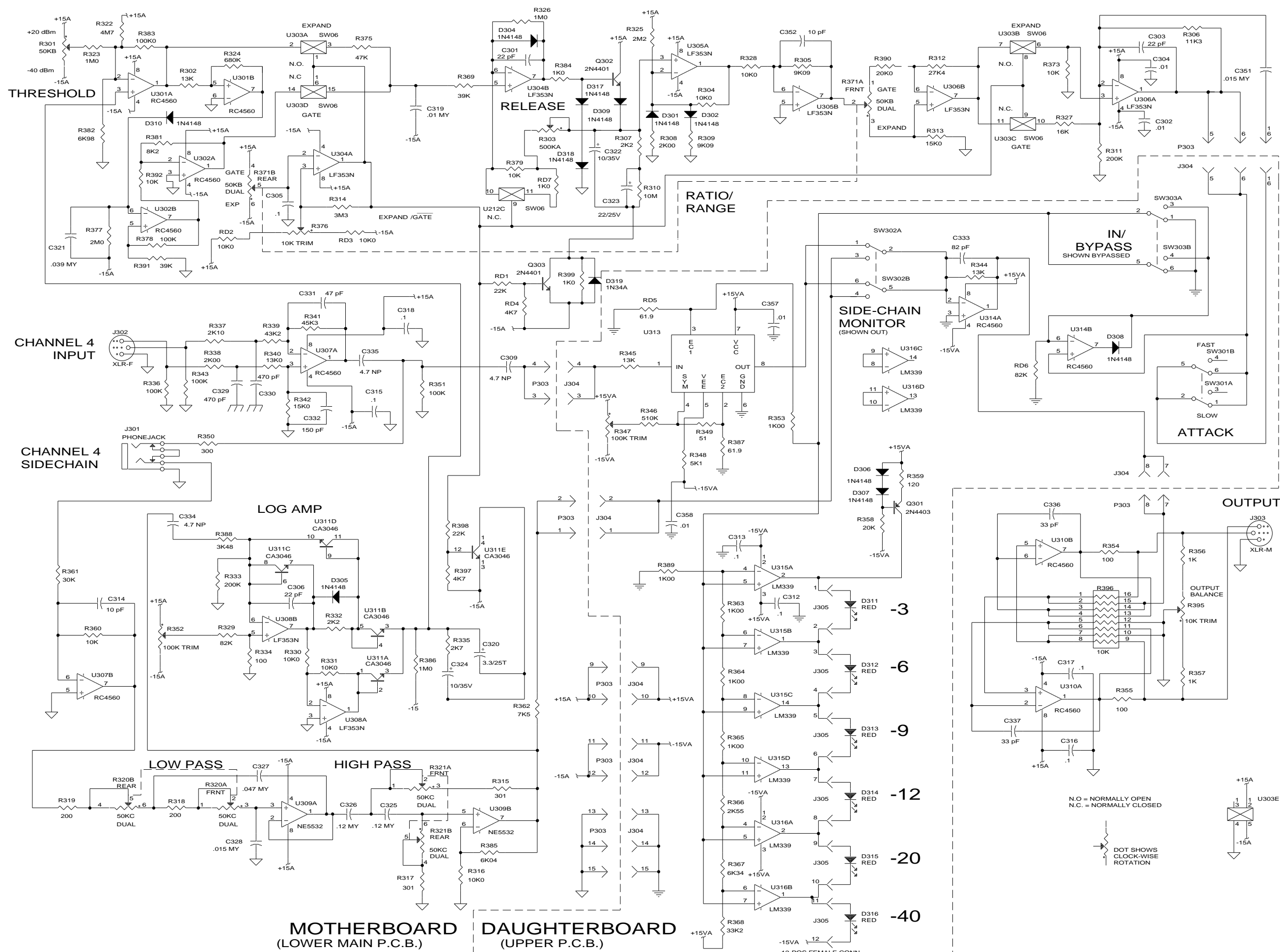
REV#:	REVISIONS:	DATE	ENG.	MANF.	PURCH.	DATE PRINTED	DRAWN BY

N.O. = NORMALLY OPEN  
N.C. = NORMALLY CLOSED

DOT SHOWS  
CLOCK-WISE  
ROTATION

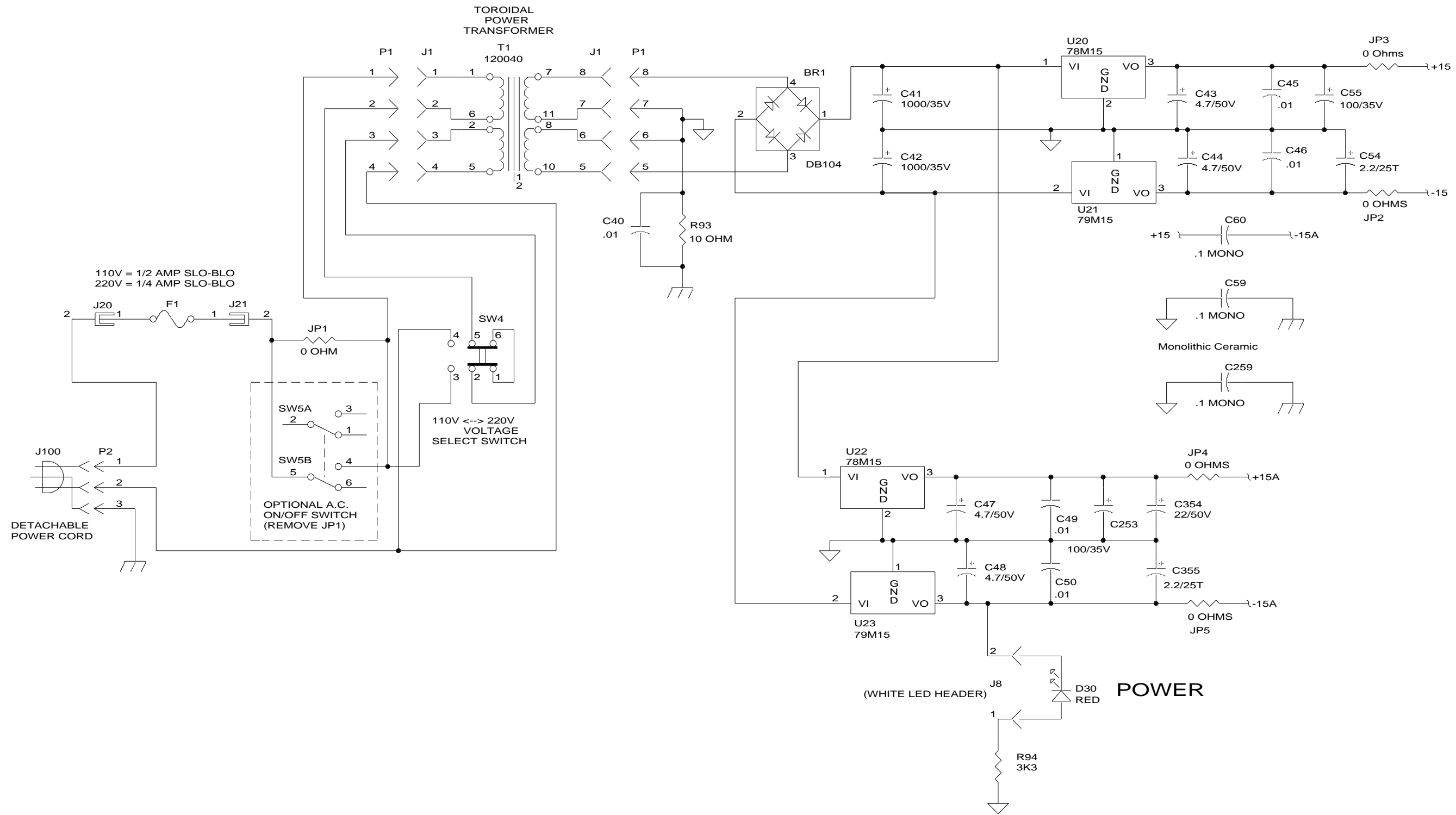


		<b>564E Quad Expander/ Gate Schematic</b>		DWG NO. <b>021760/1-SCH</b>	REV. <b>G0</b>
		TITLE	DATE <b>6-11-93</b>	SHEET <b>3 OF 5</b>	
ENG.	MANF.	PURCH.	DATE PRINTED	DRAWN BY <i>James Husted</i>	REV# REVISIONS:



		<b>564E Quad Expander/ Gate Schematic</b>		DWG NO. 021760/1-SCH	REV. G0
		TITLE	DATE 6-11-93	SHEET 4 OF 5	DWG REV.
ENG.	MANF.	PURCH.	DATE	PRINTED	DRAWN BY
DATE	REVISIONS:	MANUFACTURER:	PURCHASER:	DATE:	DRAWN BY:
REV#:	REVISIONS:	MANUFACTURER:	PURCHASER:	DATE:	DRAWN BY:

James Husted



REV#:	REVISIONS:	DATE	ENG.	MANF.	PURCH.	DATE PRINTED	DRAWN BY	James Husted	DWG NO.	021760/1-SCH	DWG REV.	G0
									TITLE	564E Quad Expander/ Gate Schematic	DATE	6-11-93

Symetrix