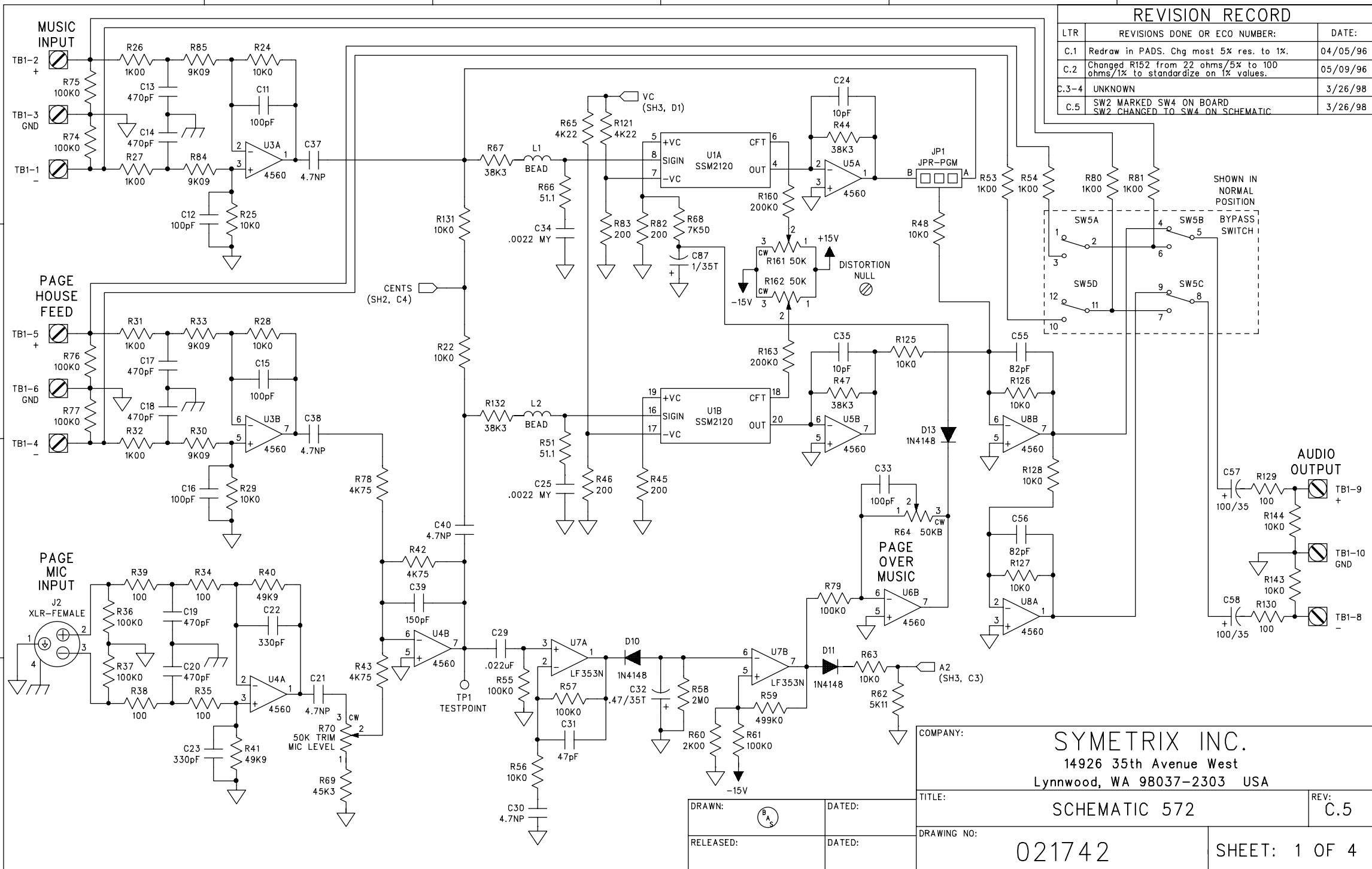


REVISION RECORD

LTR	REVISIONS DONE OR ECO NUMBER:	DATE:
C.1	Redraw in PADS. Chg most 5% res. to 1%.	04/05/96
C.2	Changed R152 from 22 ohms/5% to 100 ohms/1% to standardize on 1% values.	05/09/96
C.3-4	UNKNOWN	3/26/98
C.5	SW2 MARKED SW4 ON BOARD SW2 CHANGED TO SW4 ON SCHEMATIC	3/26/98



COMPANY: SYMETRIX INC.  
 14926 35th Avenue West  
 Lynnwood, WA 98037-2303 USA

TITLE: SCHEMATIC 572  
 REV: C.5

DRAWING NO: 021742  
 SHEET: 1 OF 4

DRAWN:	DATED:
RELEASED:	DATED:

6

5

4

3

2

1

D

D

C

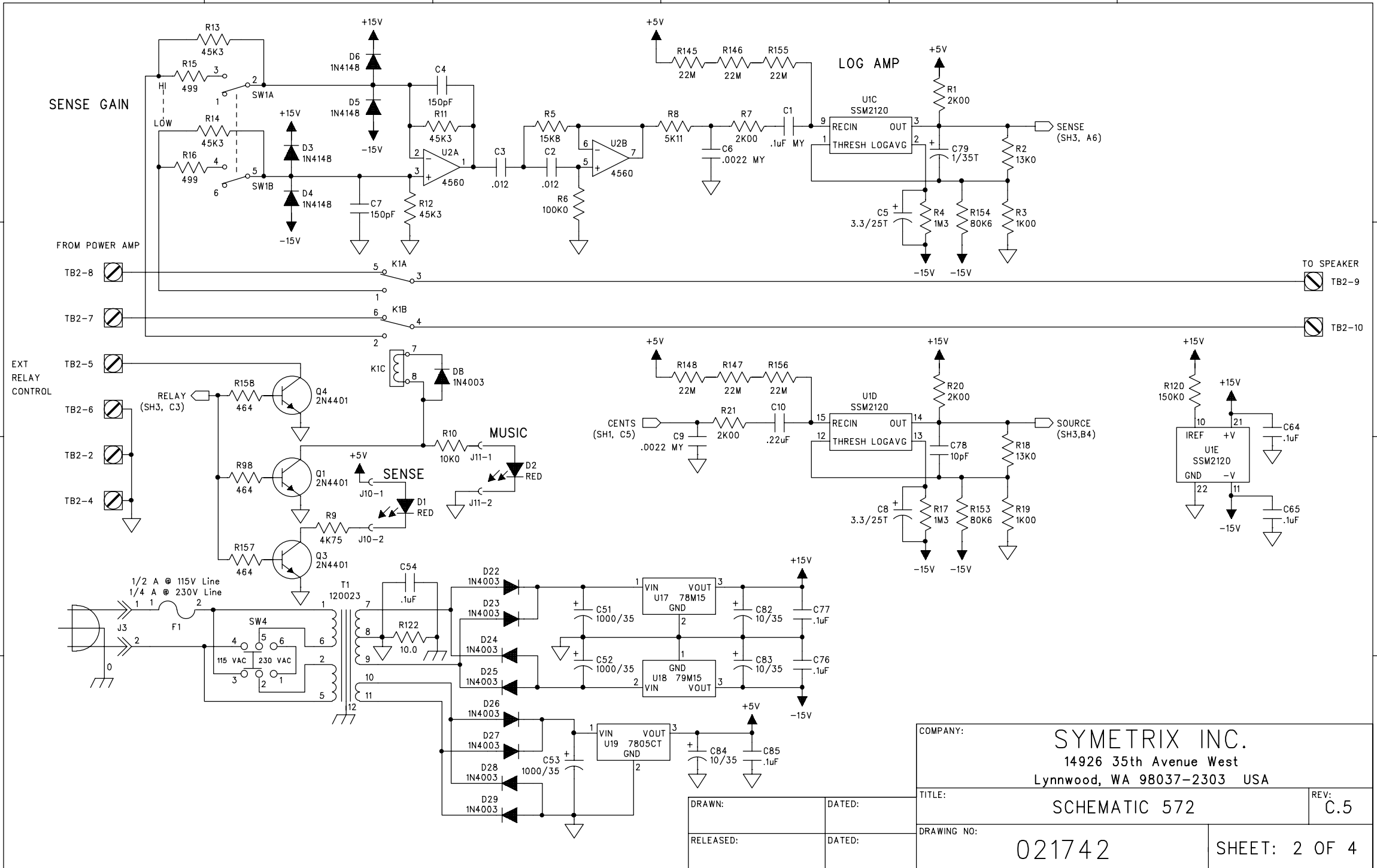
C

B

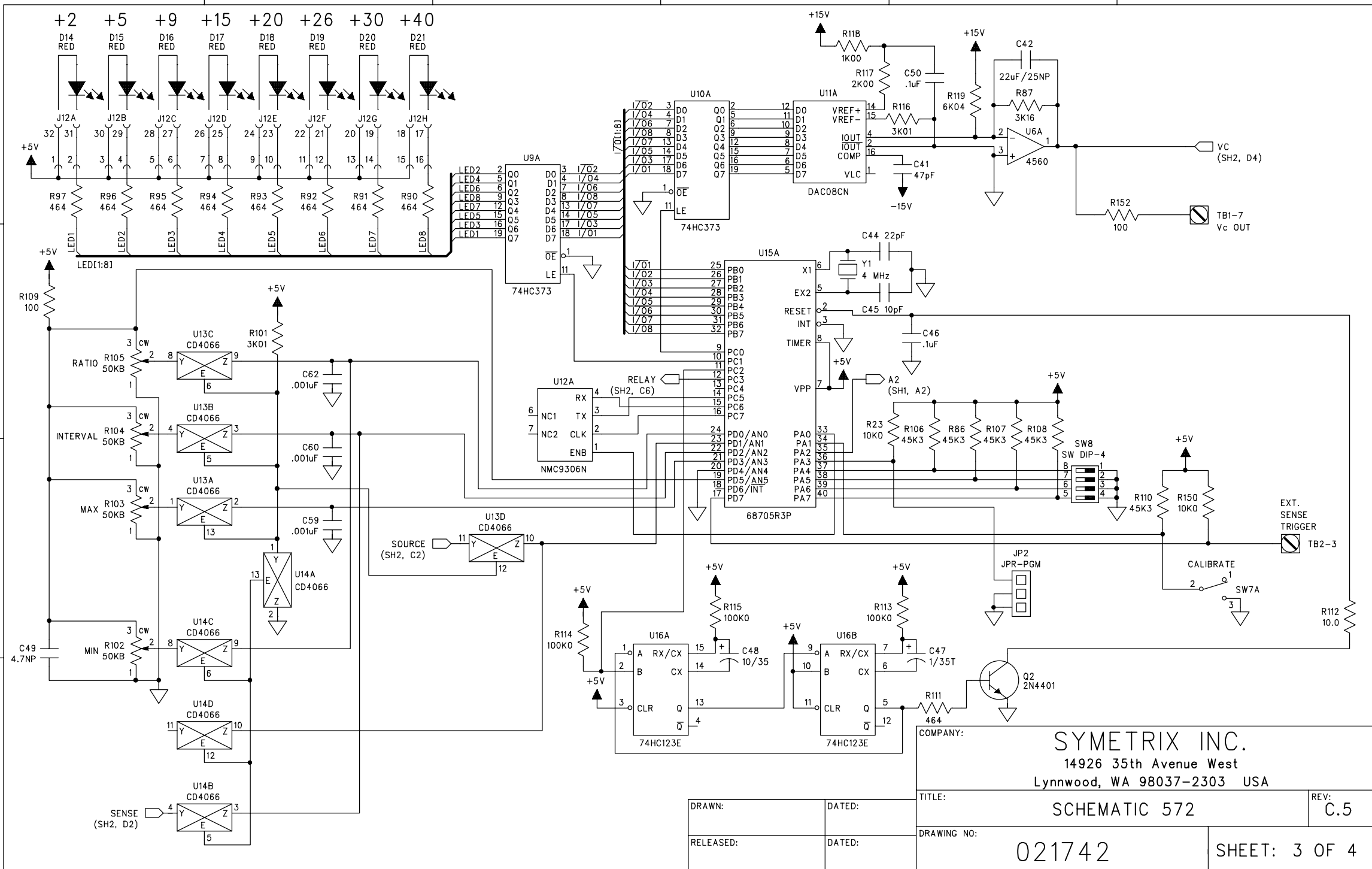
B

A

A



COMPANY:		SYMETRIX INC.	
		14926 35th Avenue West	
		Lynnwood, WA 98037-2303 USA	
TITLE:		SCHEMATIC 572	REV: C.5
DRAWING NO:		021742	SHEET: 2 OF 4
DRAWN:	DATED:		
RELEASED:	DATED:		



COMPANY: SYMETRIX INC.  
 14926 35th Avenue West  
 Lynnwood, WA 98037-2303 USA

TITLE: SCHEMATIC 572  
 REV: C.5

DRAWING NO: 021742  
 SHEET: 3 OF 4

DRAWN: \_\_\_\_\_ DATED: \_\_\_\_\_  
 RELEASED: \_\_\_\_\_ DATED: \_\_\_\_\_

6

5

4

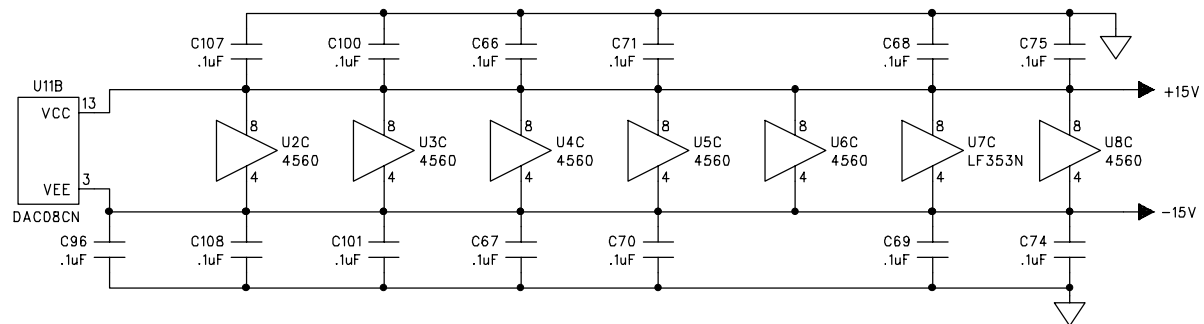
3

2

1

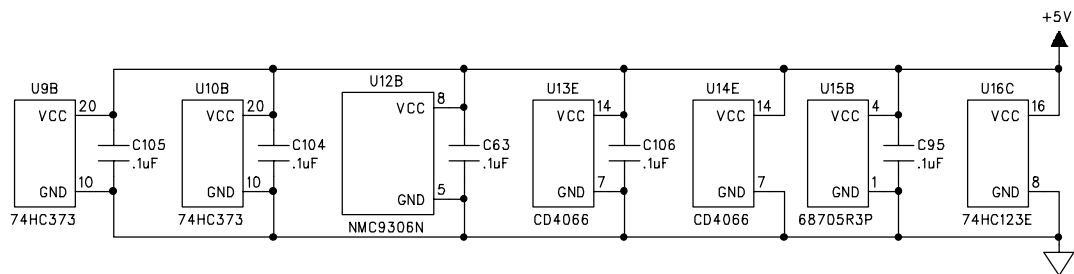
D

D



C

C



B

B

A

A

COMPANY:		SYMETRIX INC. 14926 35th Avenue West Lynnwood, WA 98037-2303 USA	
TITLE:		SCHEMATIC 572	REV: C.5
DRAWING NO:		021742	SHEET: 4 OF 4

DRAWN:	DATED:
RELEASED:	DATED: