

REVISION RECORD		
REV	REVISIONS DONE OR ECD NUMBER	DATE:
B.0	changed ddd and dde filter values	4/27/98

COMPANY:		<b>SYMETRIX INC.</b>	
		14926 35th Avenue West	
		Lynnwood, WA 98037-2303 USA	
TITLE:	HOST KERNEL	REV:	D.0
DRAWN:	C.H.	DATED:	9/19/97
RELEASED:		DATED:	
DRAMMC NO		SHEET: 1 OF 12	

6

5

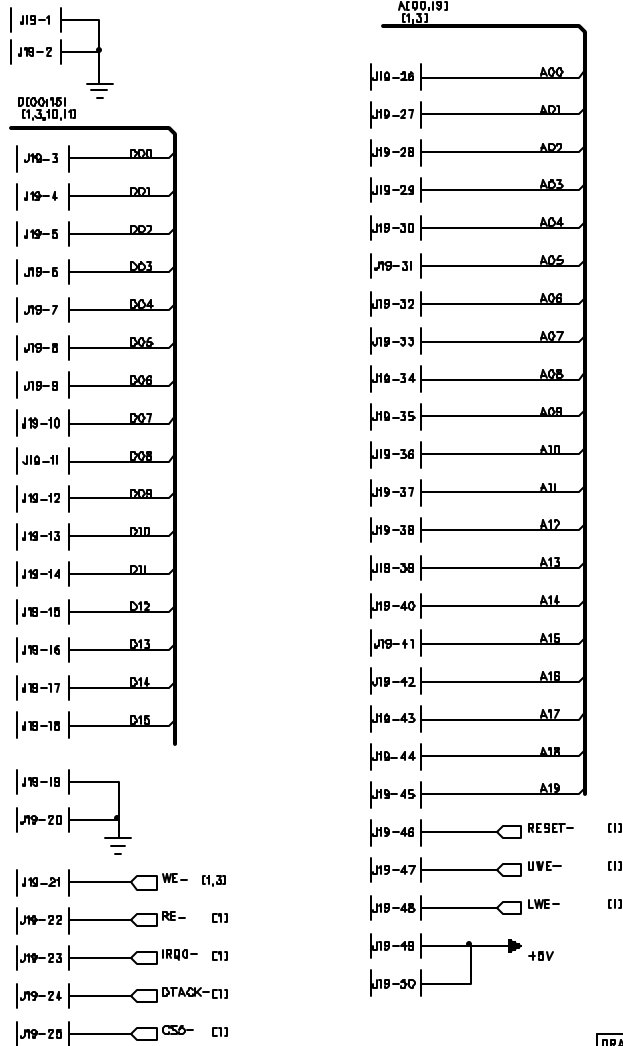
4

3

2

1

(Not stuffed for production)



REVISION RECORD		
REV	REVISIONS DONE OR ECO NUMBER	DATE

COMPANY:		<b>SYMETRIX INC.</b>	
		14926 35th Avenue West Lynnwood, WA 98037-2303 USA	
DRAWN		TITLE:	REV:
RELEASED		DRAMIC NO	SHEET: 2 OF 12

D

C

B

A

D

C

B

A

6

5

4

3

2

1

REVISION RECORD		
REV	REVISIONS DONE OR ECD NUMBER	DATE:

D

D

C

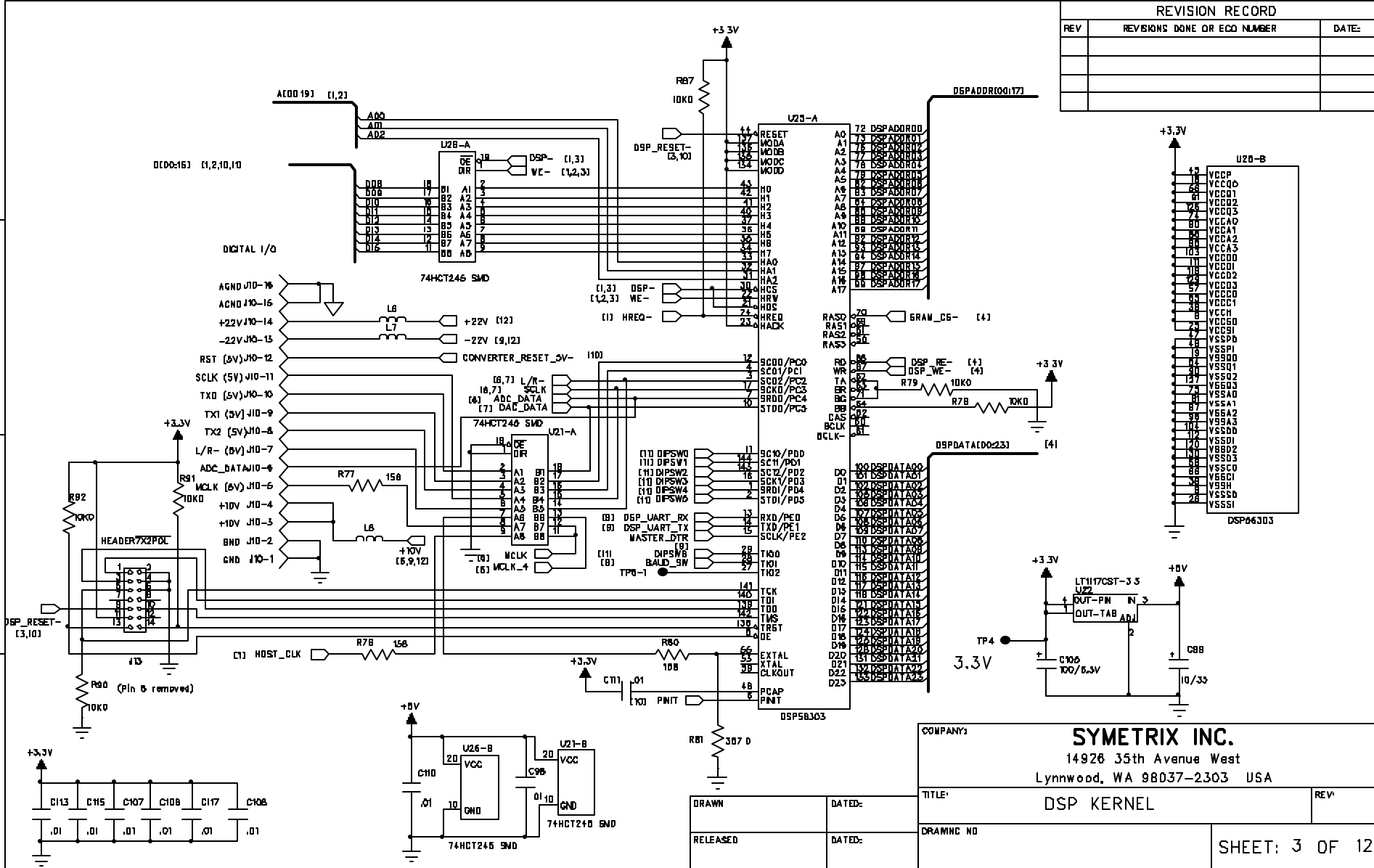
C

B

B

A

A



COMPANY:		<b>SYMETRIX INC.</b>	
		14926 35th Avenue West	
		Lynnwood, WA 98037-2303 USA	
DRAWN:		TITLE: DSP KERNEL	
RELEASED:		DRAMC NO	
DATED:		REV:	
DATED:		SHEET: 3 OF 12	

6

5

4

3

2

1

REVISION RECORD		
REV	REVISIONS DONE OR ECD NUMBER	DATE

D

D

C

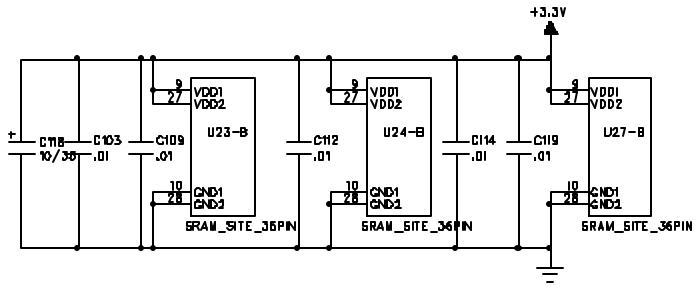
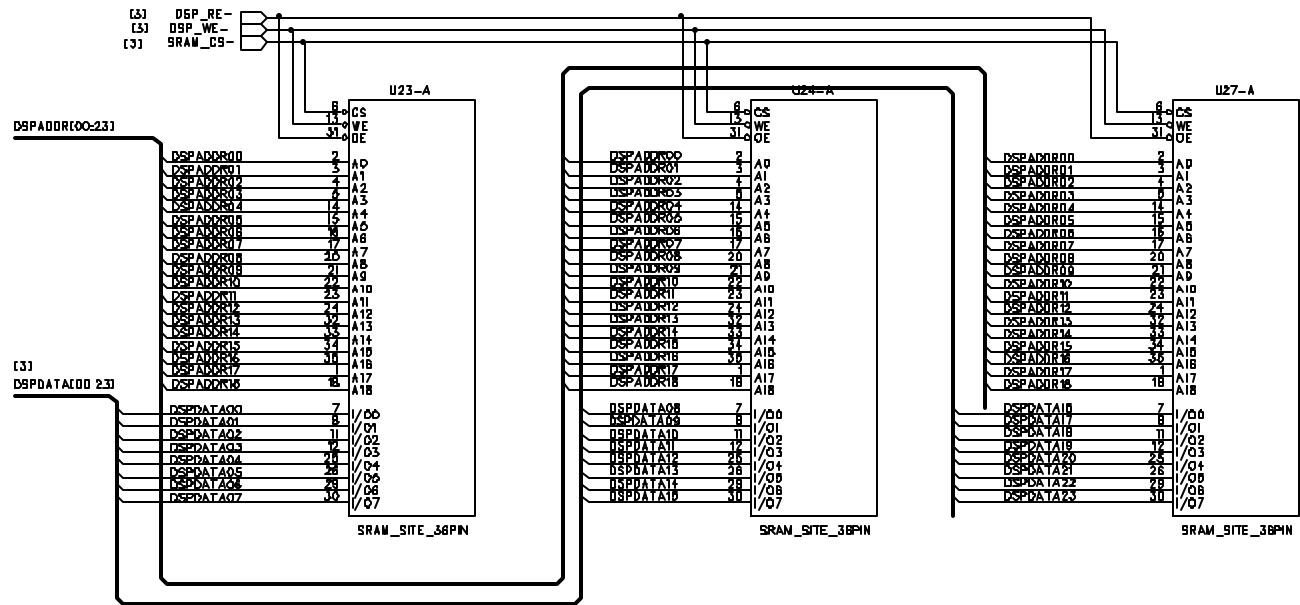
C

B

B

A

A



COMPANY:		<b>SYMETRIX INC.</b>	
		14926 35th Avenue West	
		Lynnwood, WA 98037-2303 USA	
DRAWN	CH	DATED:	
RELEASED		DATED:	
TITLE:		DSP STATIC RAM	
DRAMIC NO		REV:	
		SHEET: 4 OF 12	

6

5

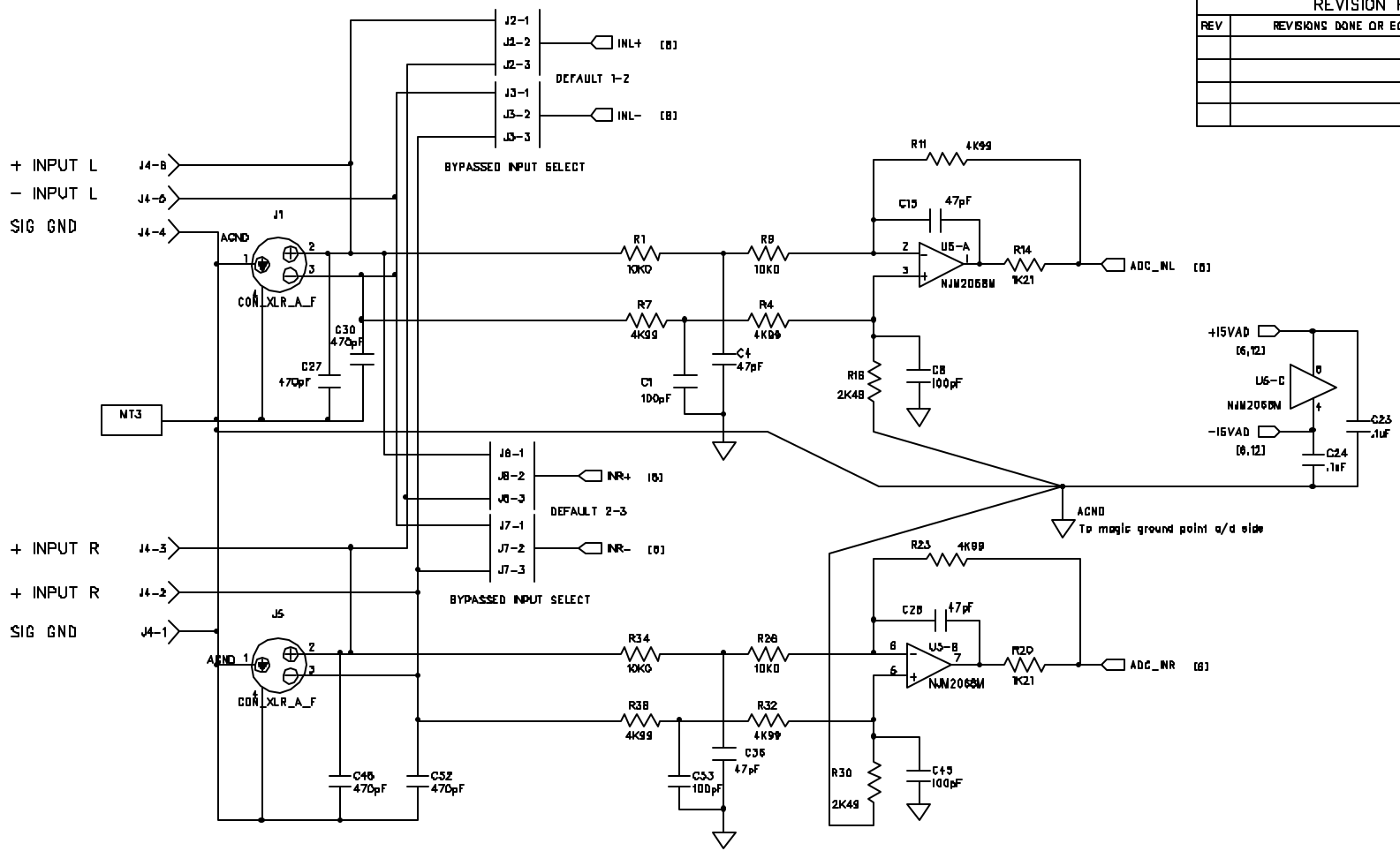
4

3

2

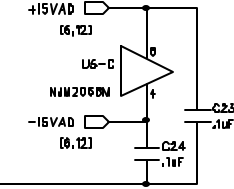
1

REVISION RECORD		
REV	REVISIONS DONE OR ECO NUMBER	DATE

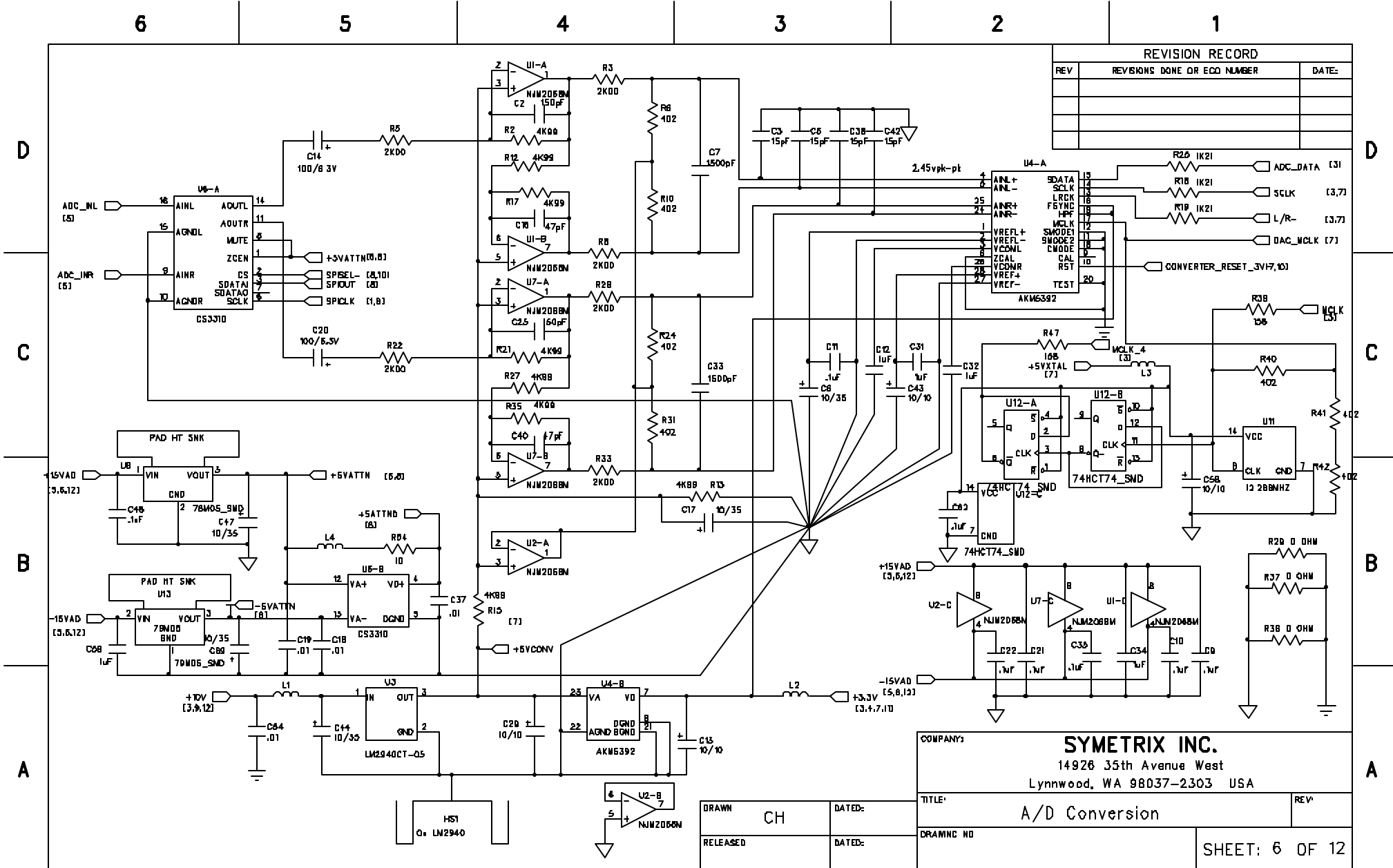


+ INPUT L  
- INPUT L  
SIG GND

+ INPUT R  
+ INPUT R  
SIG GND



COMPANY:		<b>SYMETRIX INC.</b>	
		14926 35th Avenue West Lynnwood, WA 98037-2303 USA	
DRAWN		TITLE: ANALOG INPUT	
RELEASED		SHEET: 5 OF 12	



REVISION RECORD		
REV	REVISIONS DONE OR ECO NUMBER	DATE

COMPANY: **SYMETRIX INC.**  
 14926 35th Avenue West  
 Lynnwood, WA 98037-2303 USA

TITLE: **A/D Conversion**

DRAWN: **CH**      DATED:      REV:     

RELEASED      DATED:      DRAMMC NO      SHEET: 6 OF 12

6

5

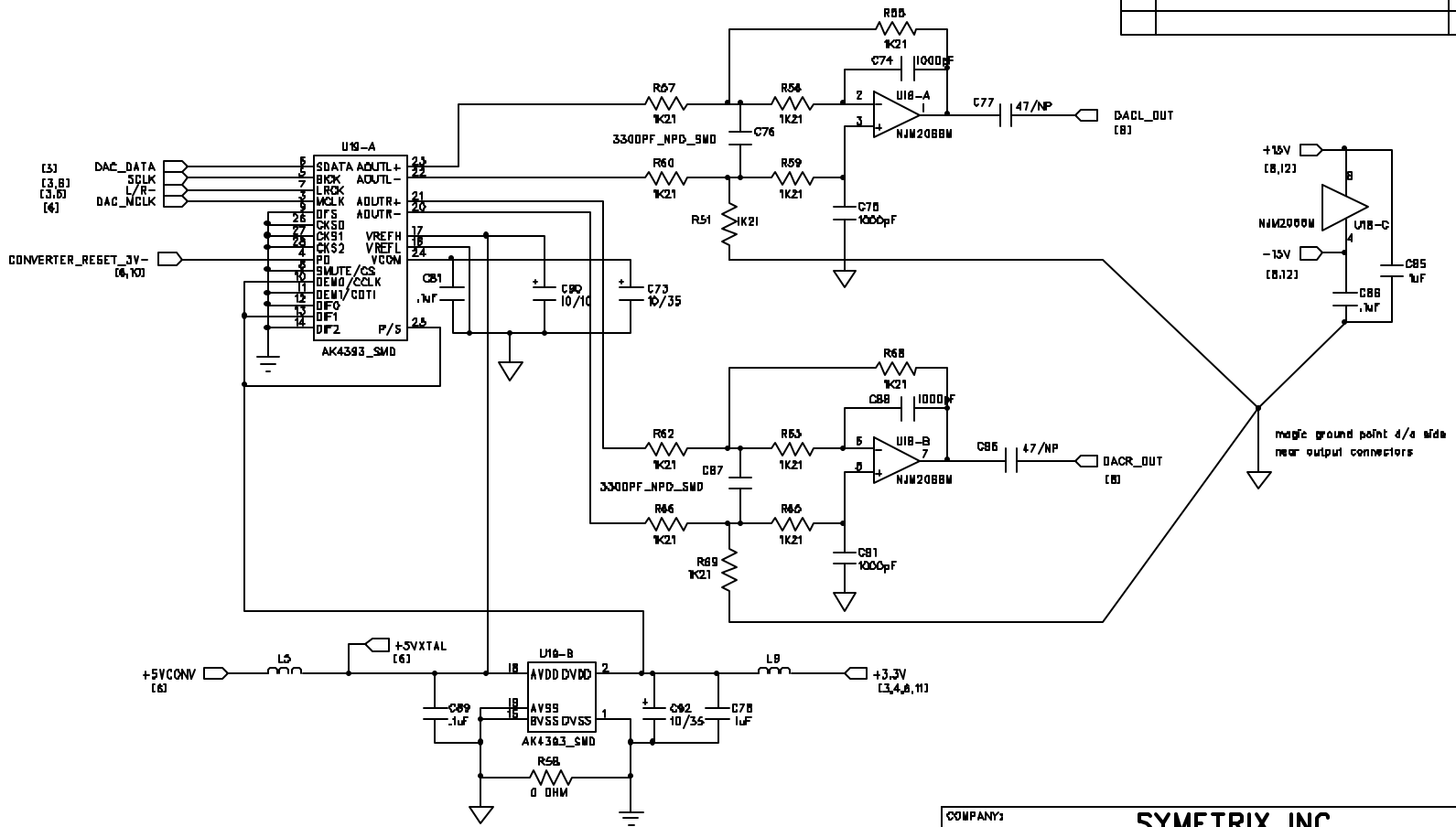
4

3

2

1

REVISION RECORD		
REV	REVISIONS DONE OR ECD NUMBER	DATE:



COMPANY:		<b>SYMETRIX INC.</b>	
		14926 35th Avenue West Lynnwood, WA 98037-2303 USA	
TITLE:		AKM4324 DAC	
DRAWING NO		SHEET: 7 OF 12	

DRAWN	CH	DATED:	
RELEASED		DATED:	

D

C

B

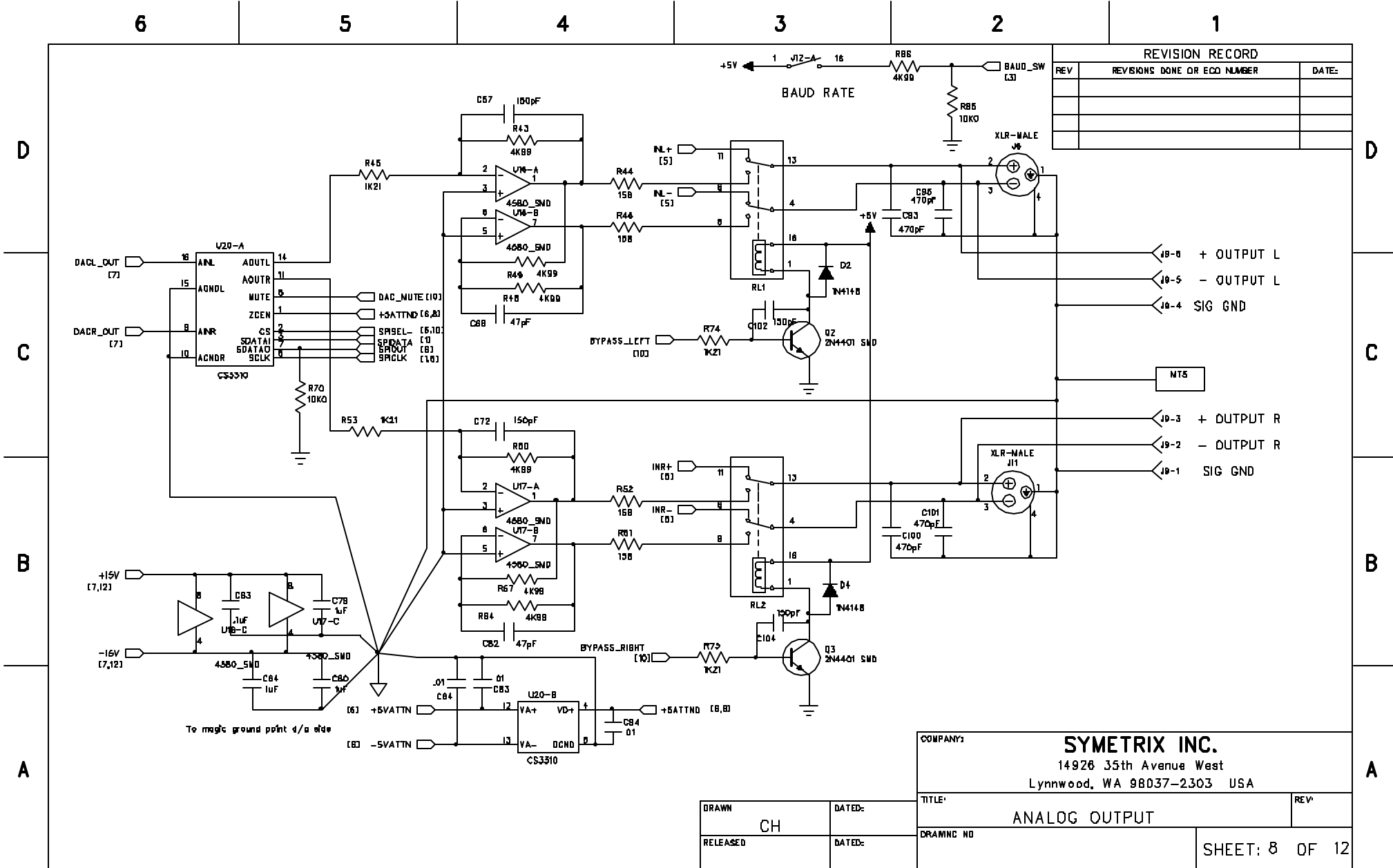
A

D

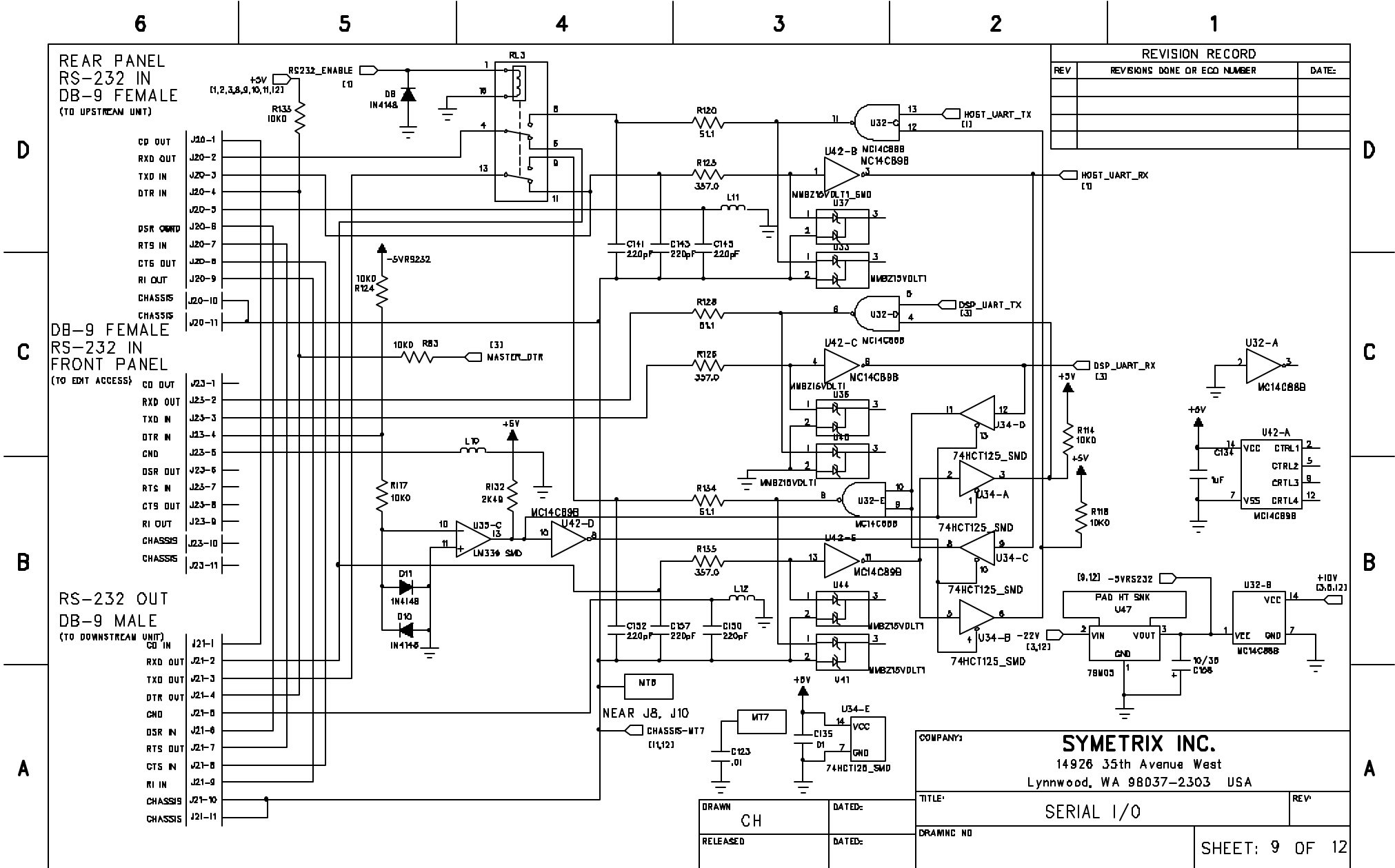
C

B

A







REVISION RECORD		
REV	REVISIONS DONE OR ECD NUMBER	DATE

COMPANY: **SYMETRIX INC.**  
 14926 35th Avenue West  
 Lynnwood, WA 98037-2303 USA

TITLE: SERIAL I/O

REV:  

DRAMNC NO:  

SHEET: 9 OF 12

DRAWN: CH	DATED:
RELEASED:	DATED:

6

5

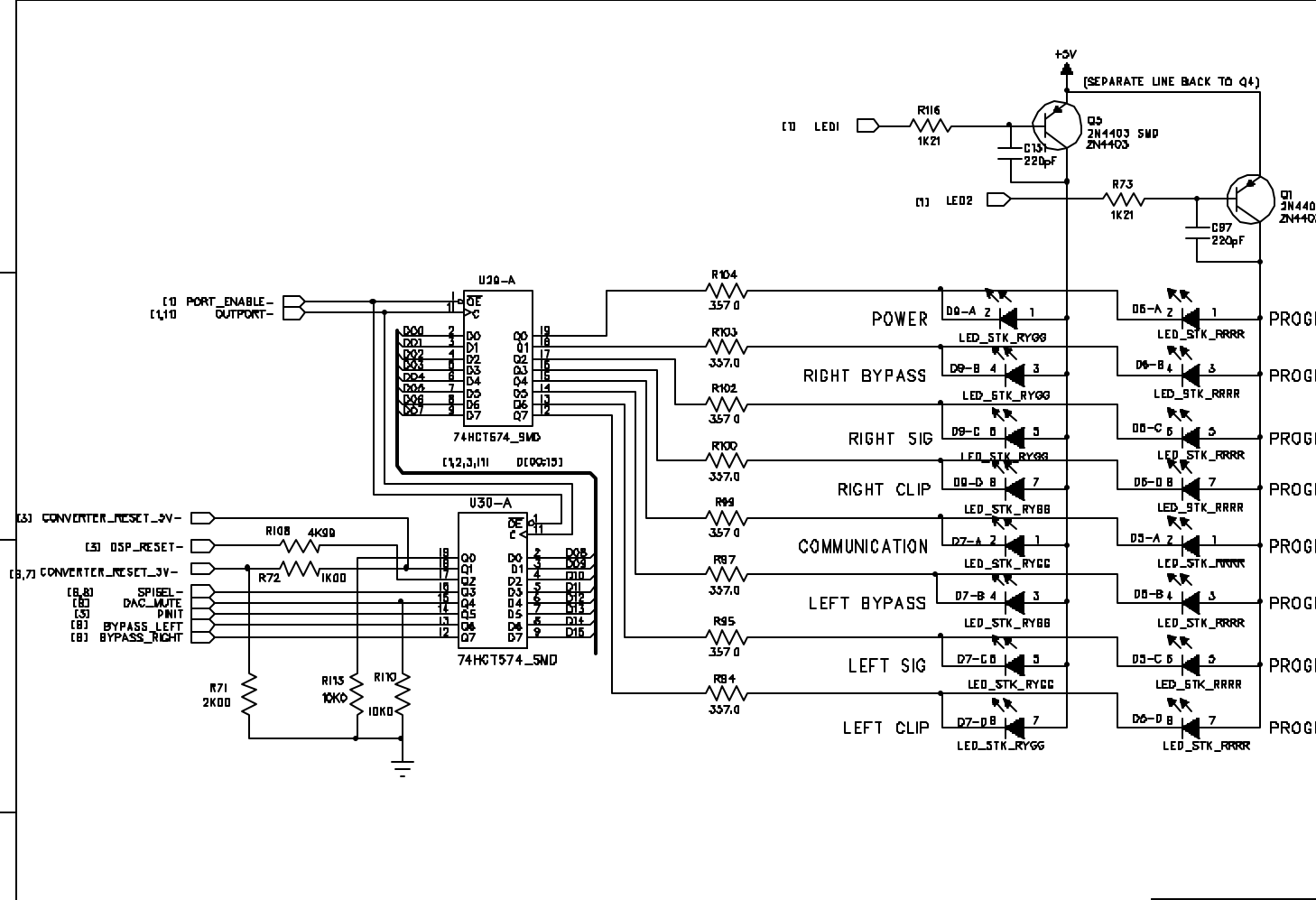
4

3

2

1

REVISION RECORD		
REV	REVISIONS DONE OR ECD NUMBER	DATE



COMPANY:		<b>SYMETRIX INC.</b>	
		14926 35th Avenue West	
		Lynnwood, WA 98037-2303 USA	
DRAWN		TITLE: LED DISPLAY	
CH		REV:	
RELEASED		DRAMC NO	
DATED:		SHEET: 10 OF 12	

D

C

B

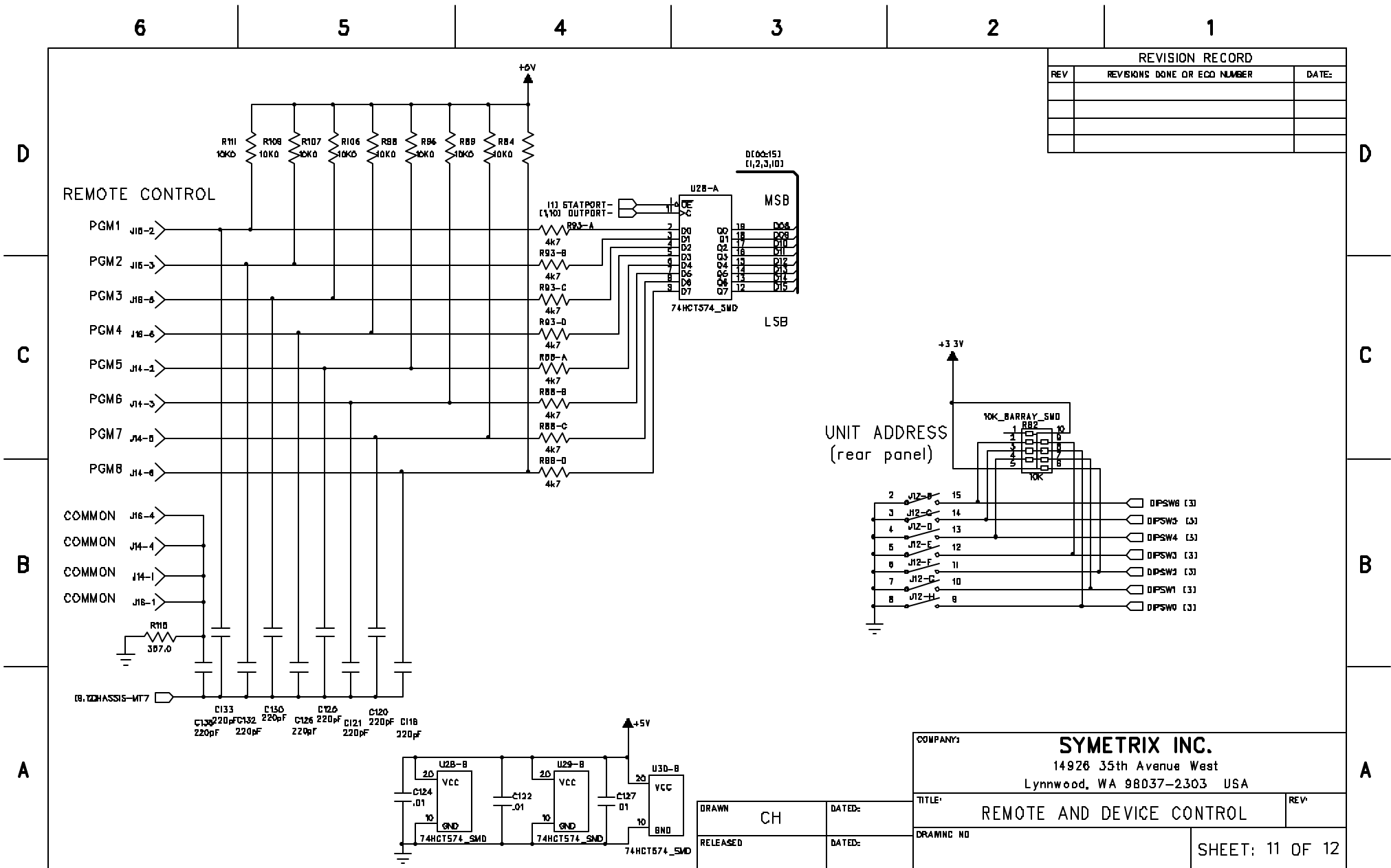
A

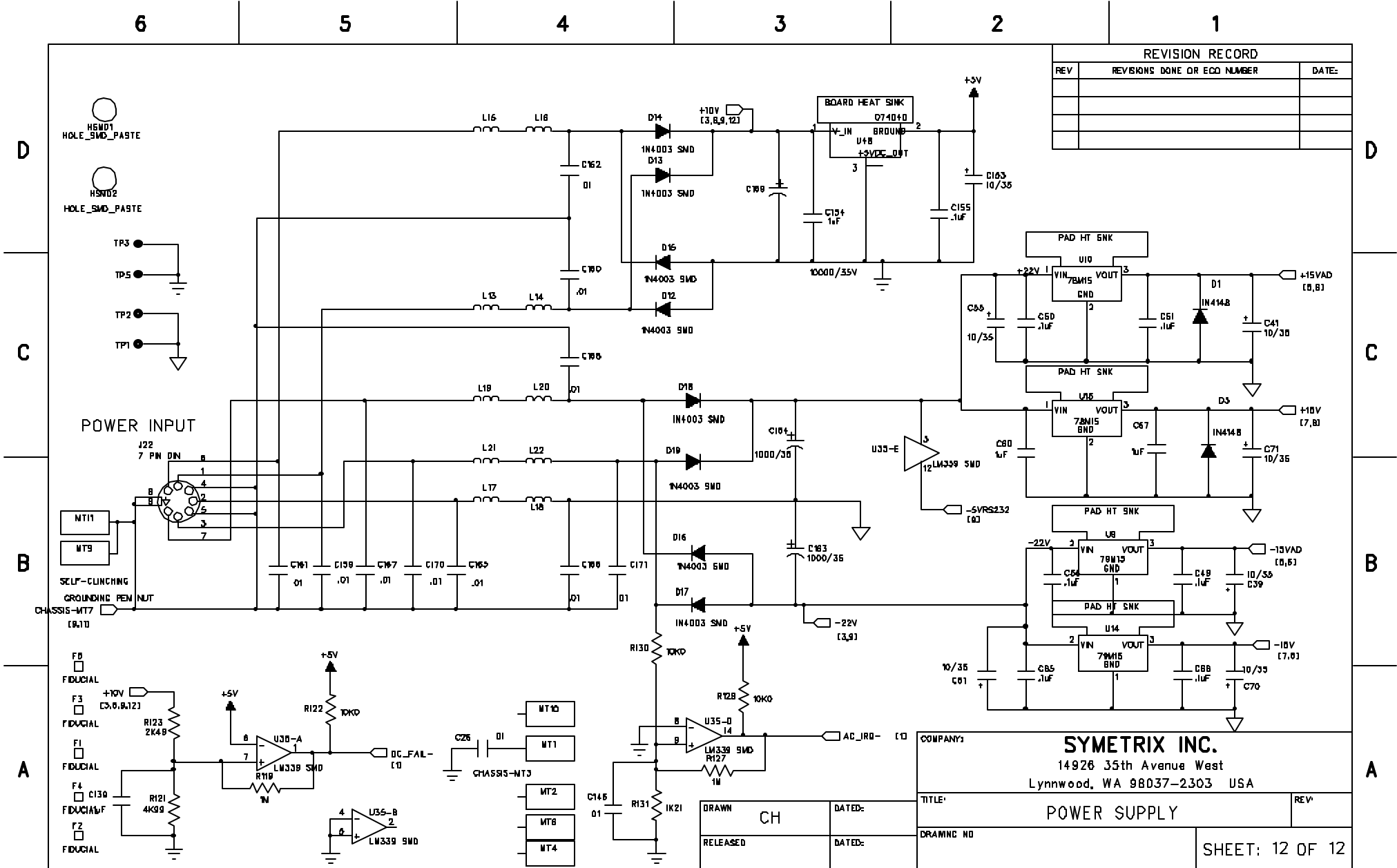
D

C

B

A





REVISION RECORD		
REV	REVISIONS DONE OR ECO NUMBER	DATE

COMPANY: **SYMETRIX INC.**  
 14926 35th Avenue West  
 Lynnwood, WA 98037-2303 USA

TITLE: **POWER SUPPLY**

DRAWN: **CH**      DATED:      REV:      **SHEET: 12 OF 12**

RELEASED      DATED:      DRAWING NO