

REVISION RECORD		
REV	REVISIONS DONE OR ECO NUMBER:	DATE:
A00	RELEASED TO PRODUCTION	09/17/96
A01	LOWERED DAC OUTPUT GAIN	3/12/98
A.02	R34-37 TO 249, WHEN AK5351 SUBSTITUTES U4	12/31/98

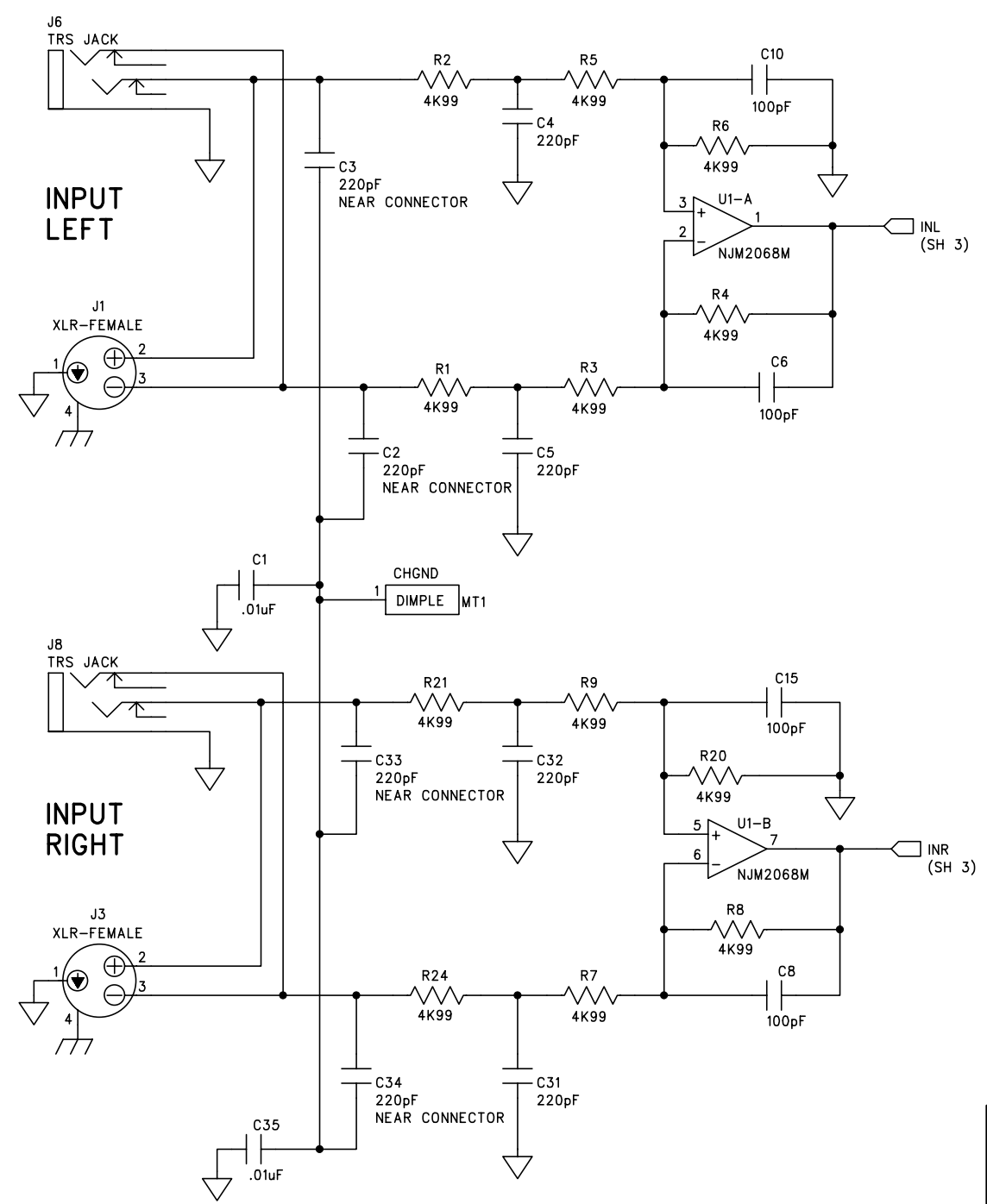
COMPANY: **SYMETRIX INC.**
 14926 35th Avenue West
 Lynnwood, WA 98037-2303 USA

TITLE: ADA-1000 DIGITAL I/O	REV: A01
DRAWING NO: 52 AD1K	SHEET: 1 OF 8

DRAWN: CH	DATED: 04/08/96
RELEASED:	DATED:

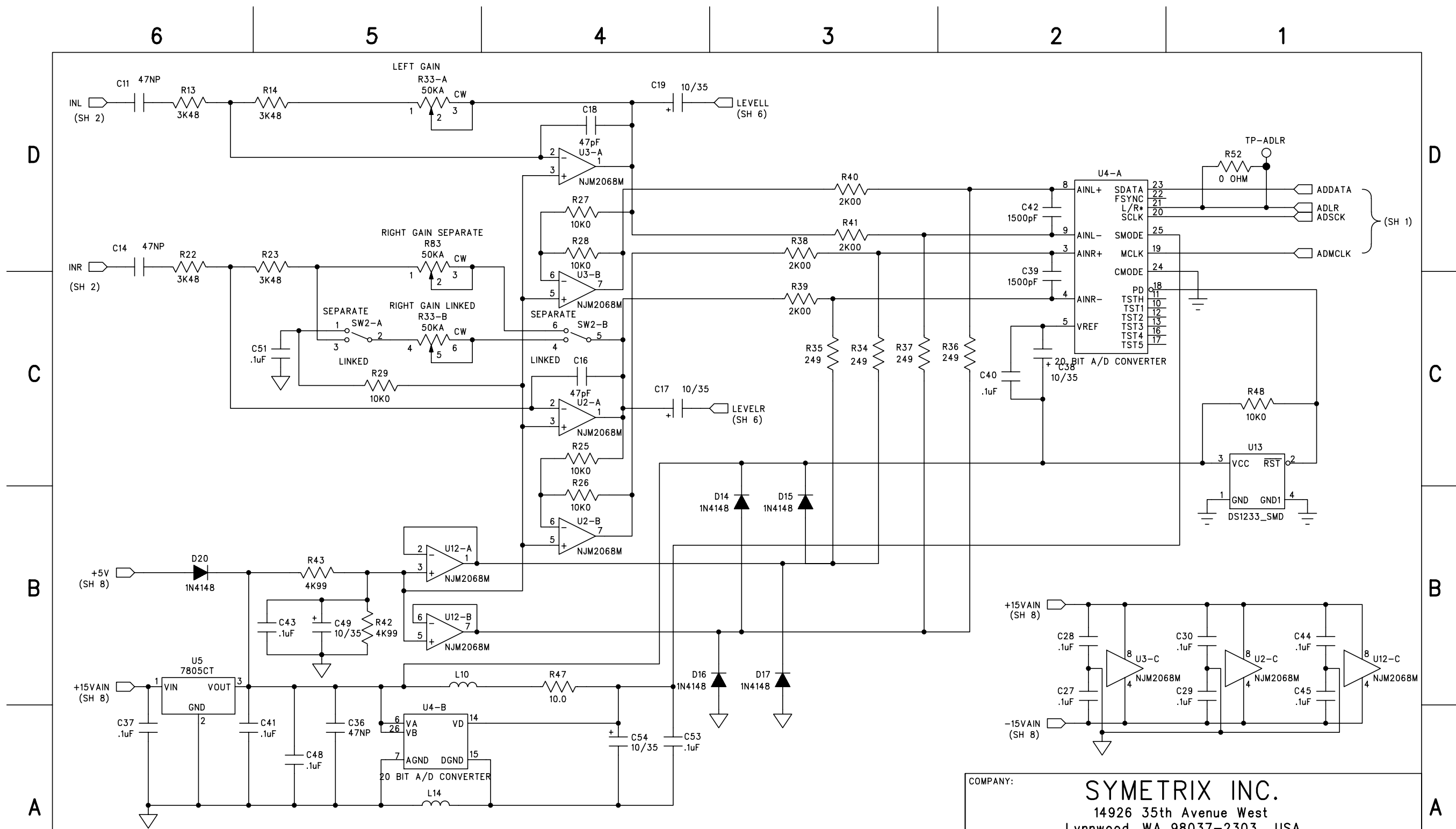
6 5 4 3 2 1

D
C
B
A



COMPANY:		SYMETRIX INC. 14926 35th Avenue West Lynnwood, WA 98037-2303 USA	
TITLE:		ADA-1000 ANALOG INPUT	REV:
DRAWING NO:		52 AD1K	SHEET: 2 OF 8

DRAWN:	DATED:
CH	04/08/96
RELEASED:	DATED:



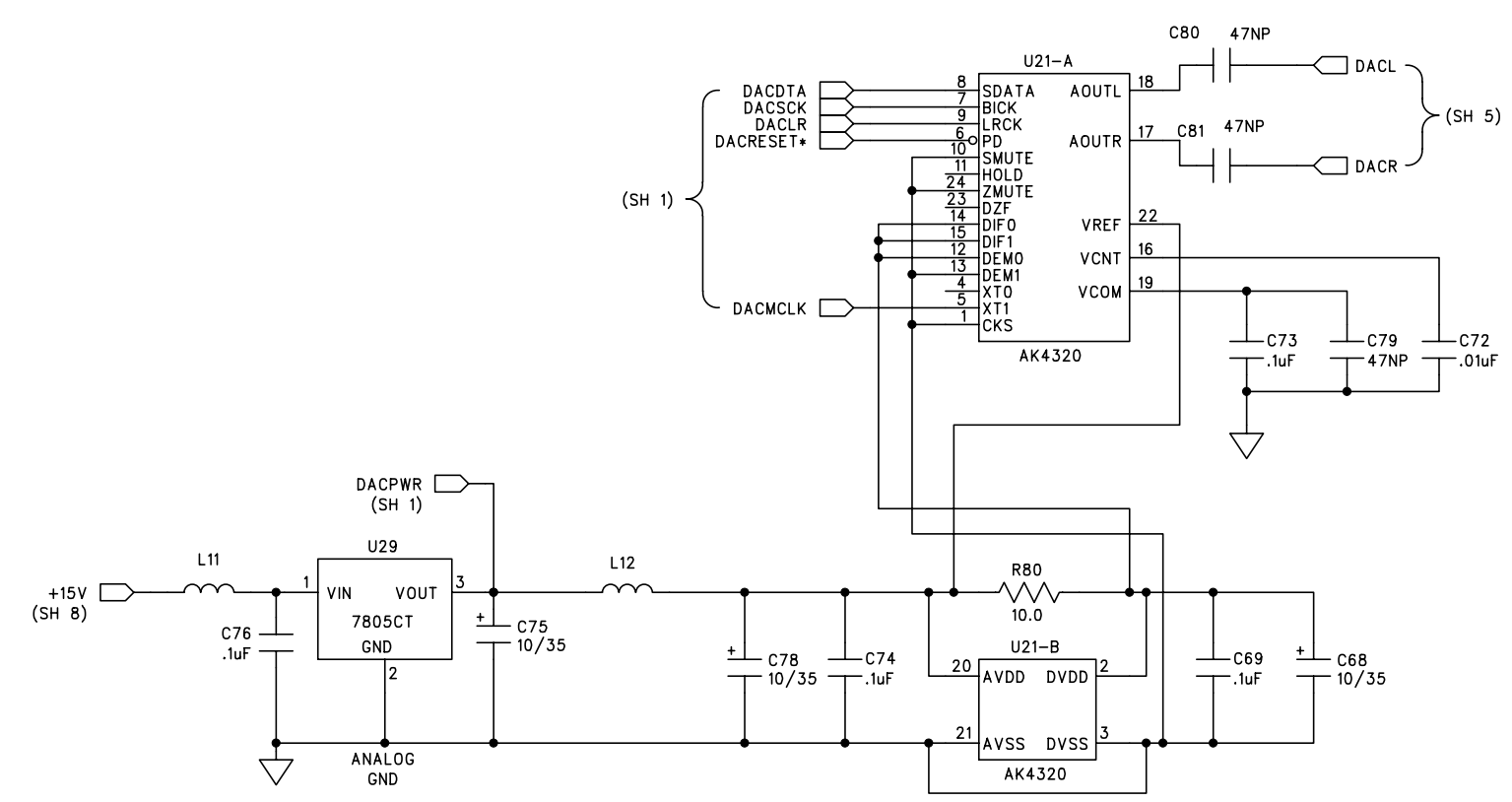
COMPANY: **SYMETRIX INC.**
 14926 35th Avenue West
 Lynnwood, WA 98037-2303 USA

DRAWN: CH	DATED: 04/08/96	TITLE: A/D CONVERTER	REV:
RELEASED:	DATED:	DRAWING NO: 52 AD1K	SHEET: 3 OF 8

6 5 4 3 2 1

D
C
B
A

D
C
B
A

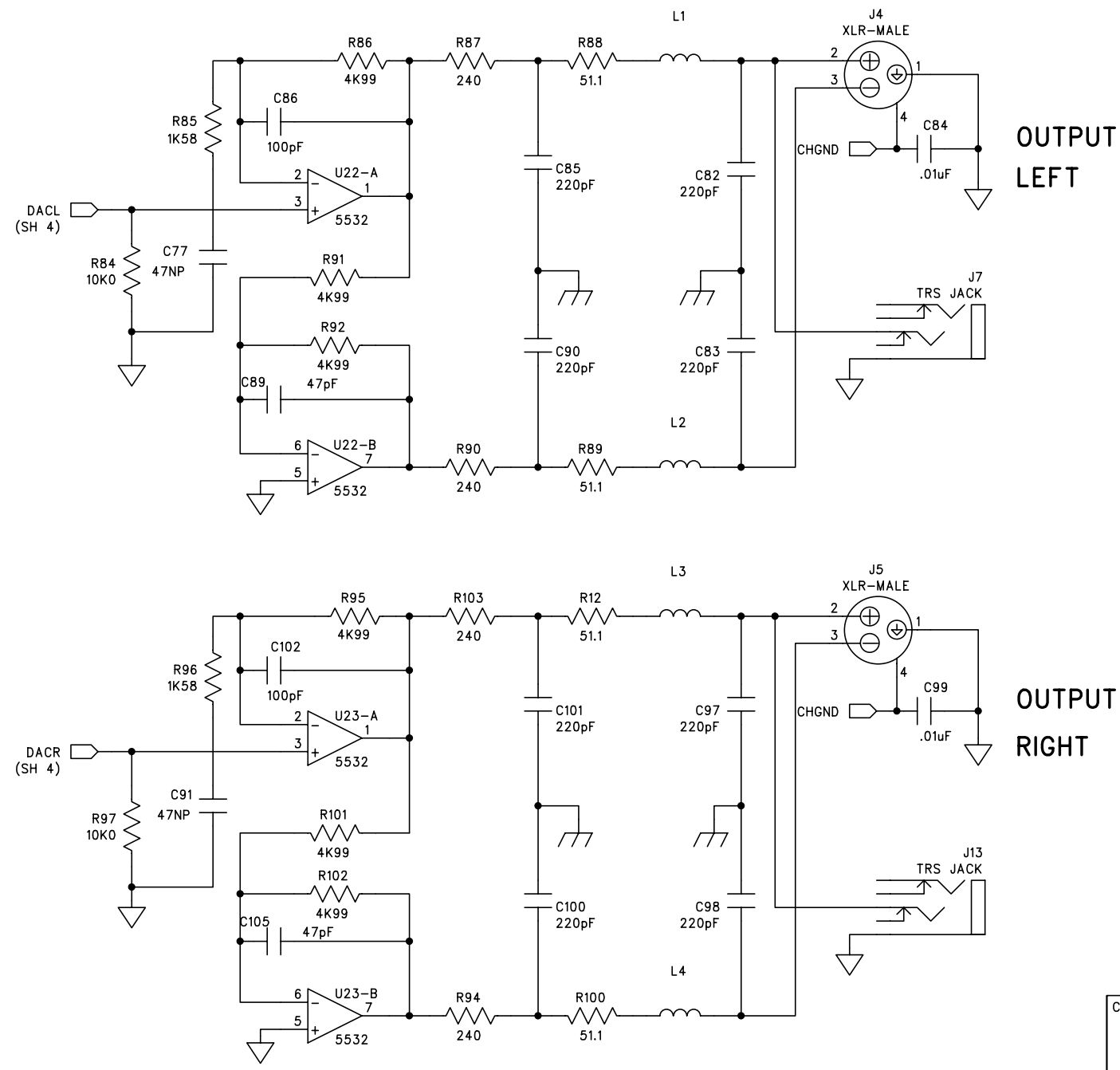


COMPANY:		SYMETRIX INC. 14926 35th Avenue West Lynnwood, WA 98037-2303 USA	
DRAWN:		TITLE:	
CH		DIGITAL TO ANALOG CONVERSION	
DATED:		REV:	
04/08/96			
RELEASED:		DRAWING NO:	
		52 AD1K	
DATED:		SHEET: 4 OF 8	

6 5 4 3 2 1

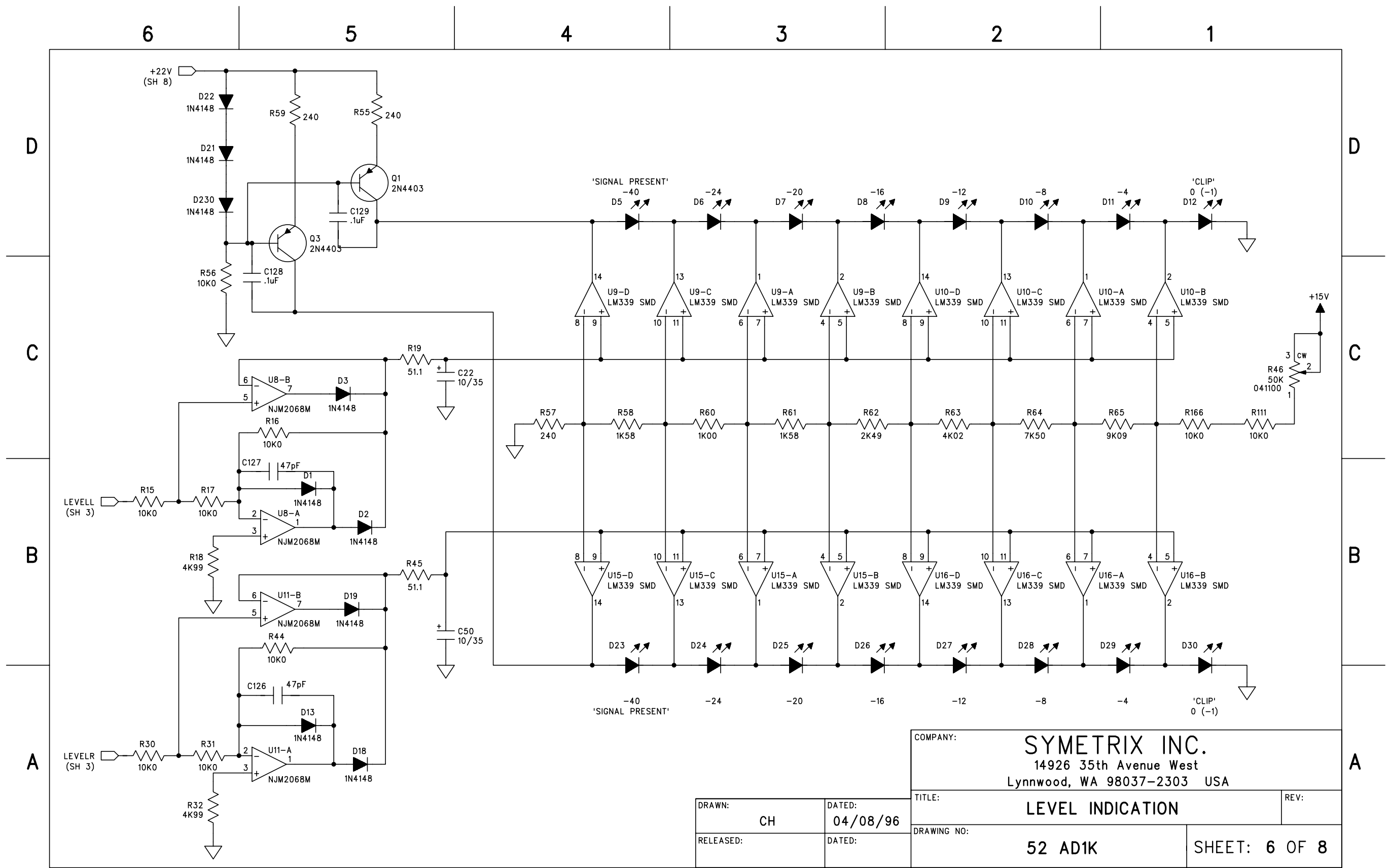
D
C
B
A

D
C
B
A

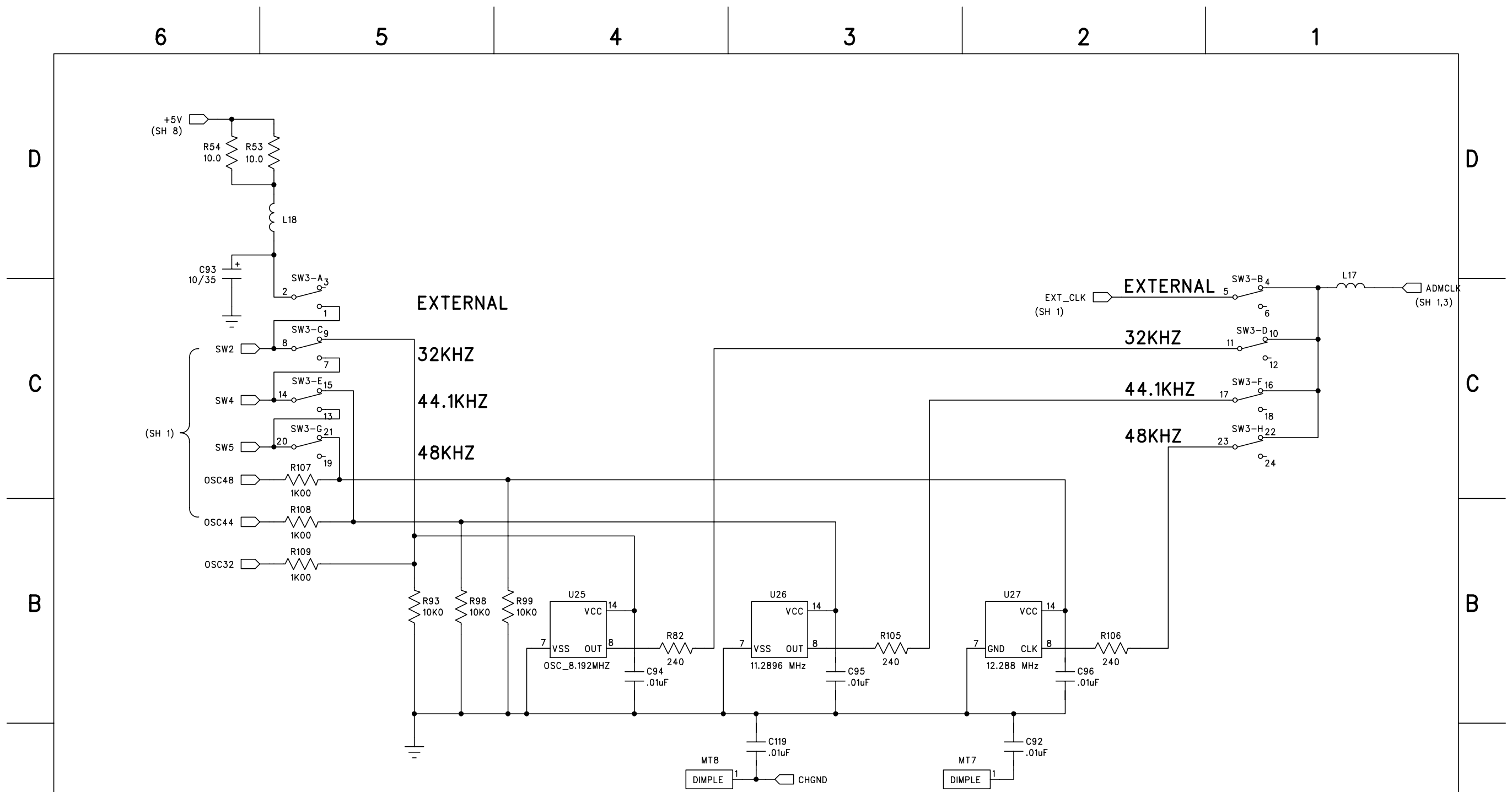


COMPANY:		SYMETRIX INC. 14926 35th Avenue West Lynnwood, WA 98037-2303 USA	
TITLE:		ANALOG OUTPUT	
DRAWING NO:		52 AD1K	
SHEET:		5 OF 8	

DRAWN:	DATED:
CH	04/08/96
RELEASED:	DATED:



COMPANY:		SYMETRIX INC.	
		14926 35th Avenue West	
		Lynnwood, WA 98037-2303 USA	
DRAWN:	DATED:	TITLE:	REV:
CH	04/08/96	LEVEL INDICATION	
RELEASED:	DATED:	DRAWING NO:	SHEET: 6 OF 8
		52 AD1K	



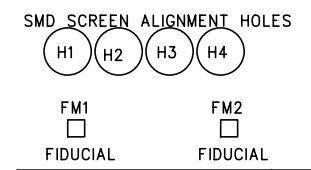
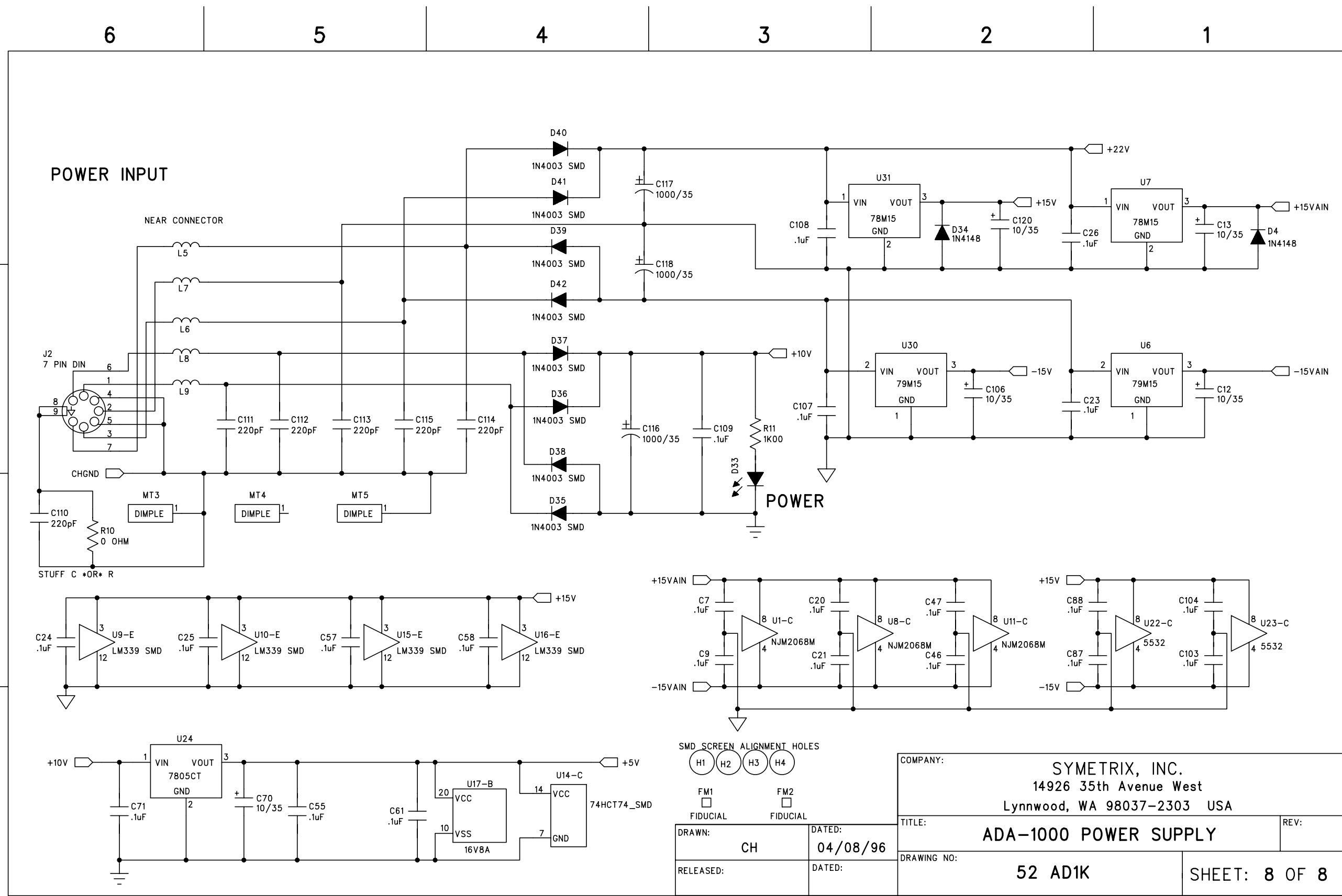
COMPANY:		SYMETRIX INC.	
		14926 35th Avenue West Lynnwood, WA 98037-2303 USA	
TITLE:		SAMPLE CLOCKS	
DRAWING NO:		52 AD1K	
SHEET:		7 OF 8	

DRAWN:	CH	DATED:	04/08/96
RELEASED:		DATED:	

D
C
B
A

D
C
B
A

6 5 4 3 2 1



COMPANY:		SYMETRIX, INC.	
		14926 35th Avenue West	
		Lynnwood, WA 98037-2303 USA	
DRAWN:		DATED:	
CH		04/08/96	
RELEASED:		DATED:	
TITLE:		REV:	
ADA-1000 POWER SUPPLY			
DRAWING NO:		SHEET:	
52 AD1K		8 OF 8	