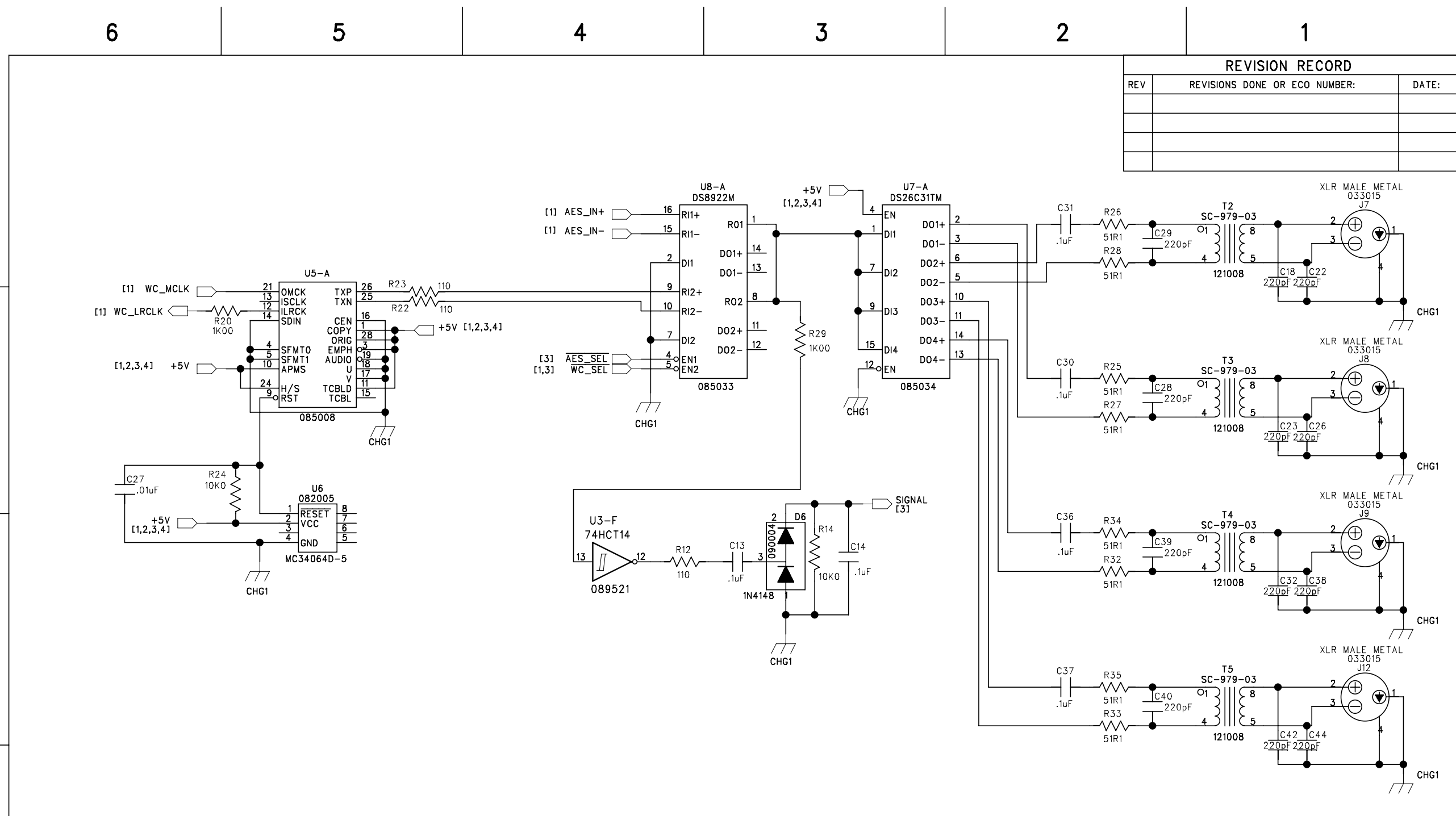


| REVISION RECORD | | |
|-----------------|---|---------|
| REV | REVISIONS DONE OR ECO NUMBER: | DATE: |
| A | First production | 2-26-01 |
| B | added caps to I/O, changed ground plane | 6-8-01 |
| | | |
| | | |

COMPANY: **SYMETRIX INC.**
 14926 35th Avenue West
 Lynnwood, WA 98037-2303 USA

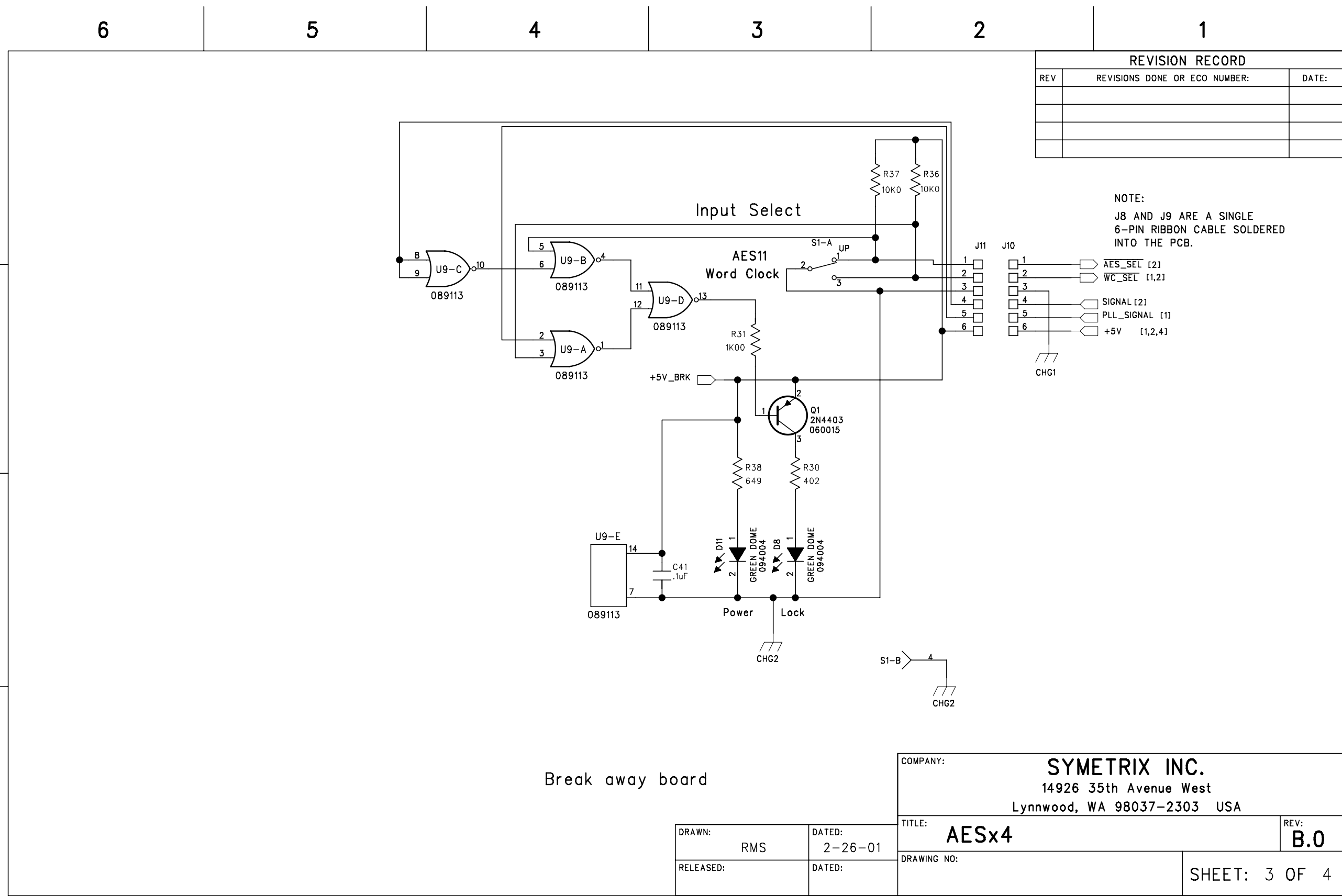
| | | | |
|------------|----------------|---------------------|-----------------|
| DRAWN: RMS | DATED: 2-26-01 | TITLE: AESx4 | REV: B.0 |
| RELEASED: | DATED: | DRAWING NO: | SHEET: 1 OF 4 |

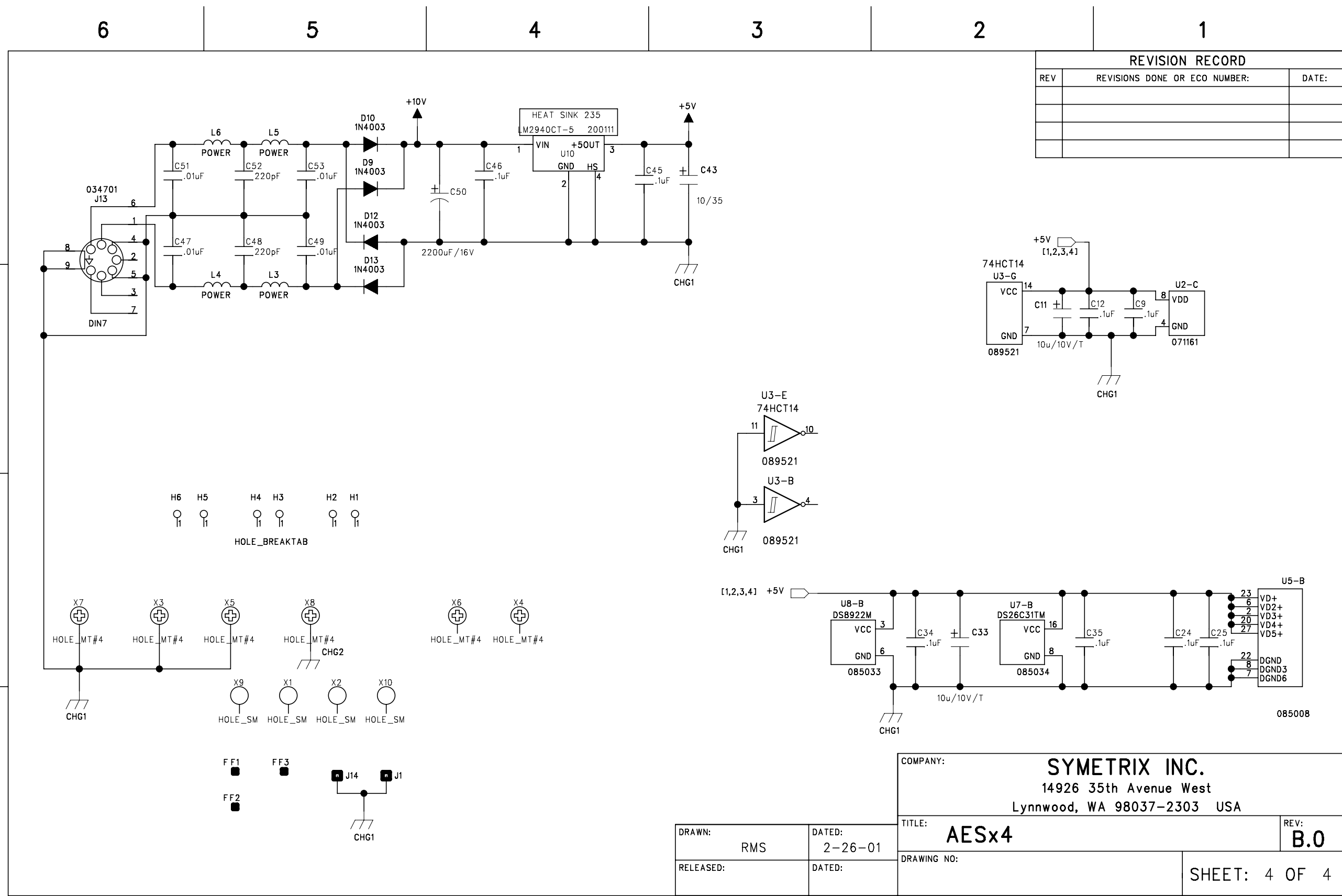


| REVISION RECORD | | |
|-----------------|-------------------------------|-------|
| REV | REVISIONS DONE OR ECO NUMBER: | DATE: |
| | | |
| | | |
| | | |
| | | |

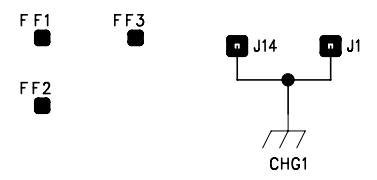
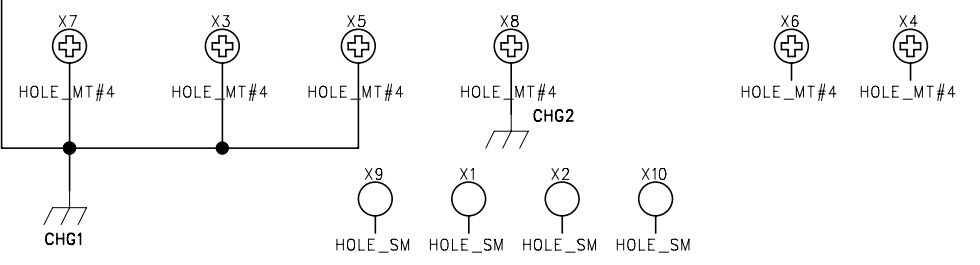
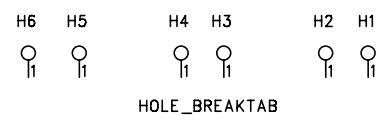
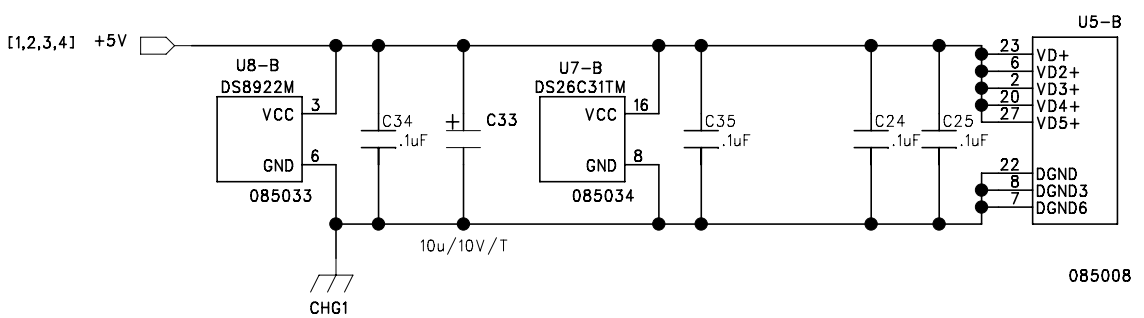
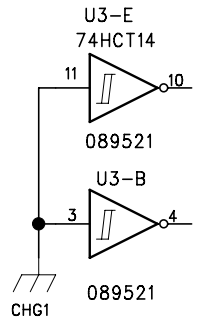
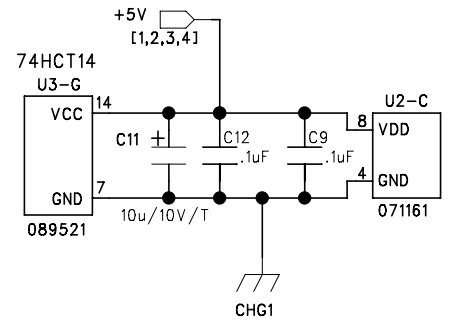
COMPANY: **SYMETRIX INC.**
 14926 35th Avenue West
 Lynnwood, WA 98037-2303 USA

| | | | |
|---------------|-------------------|------------------------|--------------------|
| DRAWN: RMS | DATED: 2-26-01 | TITLE: AESx4 | REV: B.0 |
| RELEASED: | DATED: | DRAWING NO: | SHEET: 2 OF 4 |





| REVISION RECORD | | |
|-----------------|-------------------------------|-------|
| REV | REVISIONS DONE OR ECO NUMBER: | DATE: |
| | | |
| | | |
| | | |
| | | |



COMPANY: **SYMETRIX INC.**
 14926 35th Avenue West
 Lynnwood, WA 98037-2303 USA

| | | | |
|------------|----------------|---------------------|-----------------|
| DRAWN: RMS | DATED: 2-26-01 | TITLE: AESx4 | REV: B.0 |
| RELEASED: | DATED: | DRAWING NO: | SHEET: 4 OF 4 |