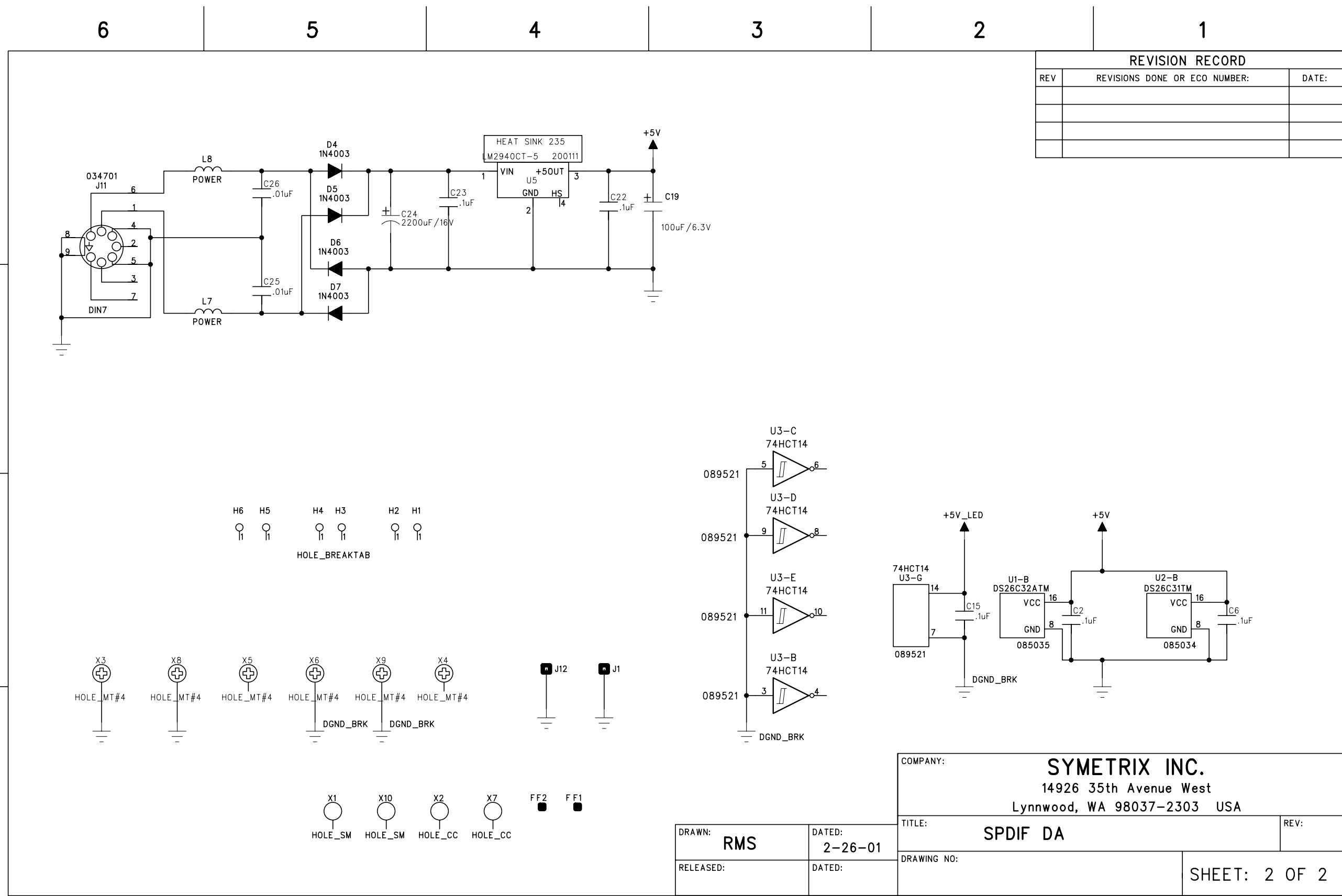


REVISION RECORD		
REV	REVISIONS DONE OR ECO NUMBER:	DATE:

NOTE:  
 J8 AND J9 ARE A SINGLE  
 6-PIN RIBBON CABLE SOLDERED  
 INTO THE PCB.

COMPANY: **SYMETRIX INC.**  
 14926 35th Avenue West  
 Lynnwood, WA 98037-2303 USA

DRAWN: <b>RMS</b>	DATED: <b>2-26-01</b>	TITLE: <b>SPDIF DA</b>	REV:
RELEASED:	DATED:	DRAWING NO:	SHEET: 1 OF 2



REVISION RECORD		
REV	REVISIONS DONE OR ECO NUMBER:	DATE:

COMPANY: **SYMETRIX INC.**  
 14926 35th Avenue West  
 Lynnwood, WA 98037-2303 USA

DRAWN: <b>RMS</b>	DATED: <b>2-26-01</b>	TITLE: <b>SPDIF DA</b>	REV:
RELEASED:	DATED:	DRAWING NO:	SHEET: 2 OF 2