

TC-1128

**NOTE: This is a discontinued product,
Some parts will not be available!!**

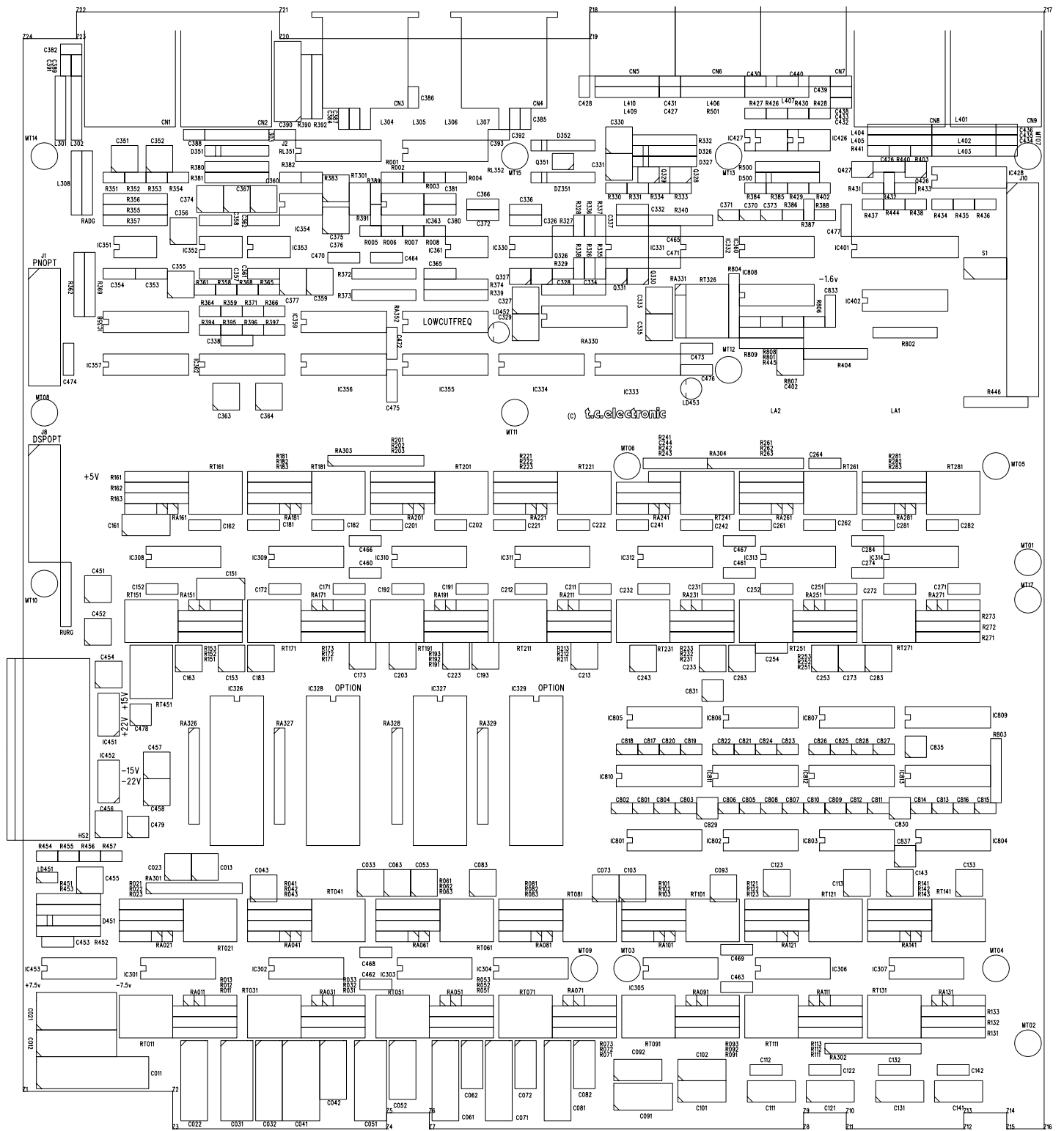


LCD Display
336010011 15V for S/N between 782606 and 783630 (approx.)
336050011 5V for S/N higher than 783630 (approx.)

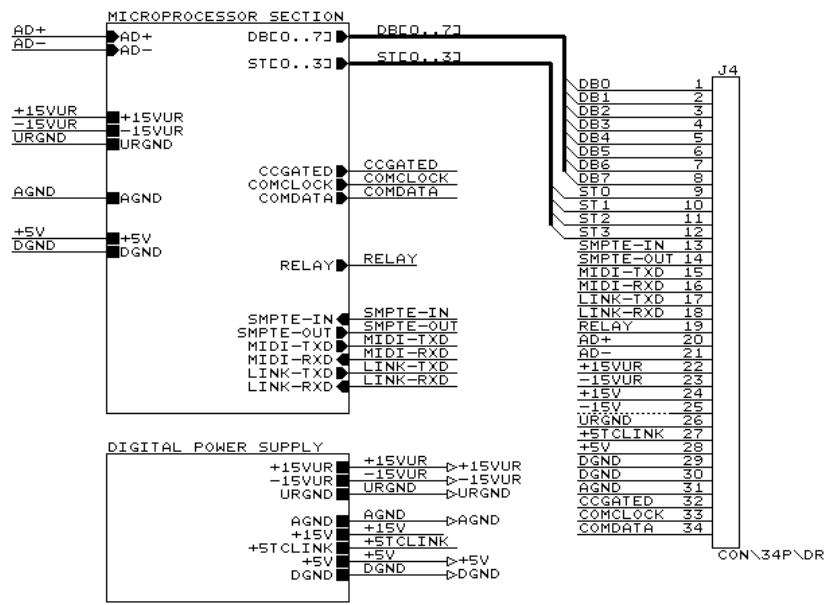
Black button, 12x12mm
338011011

Knob for encoder
337002011

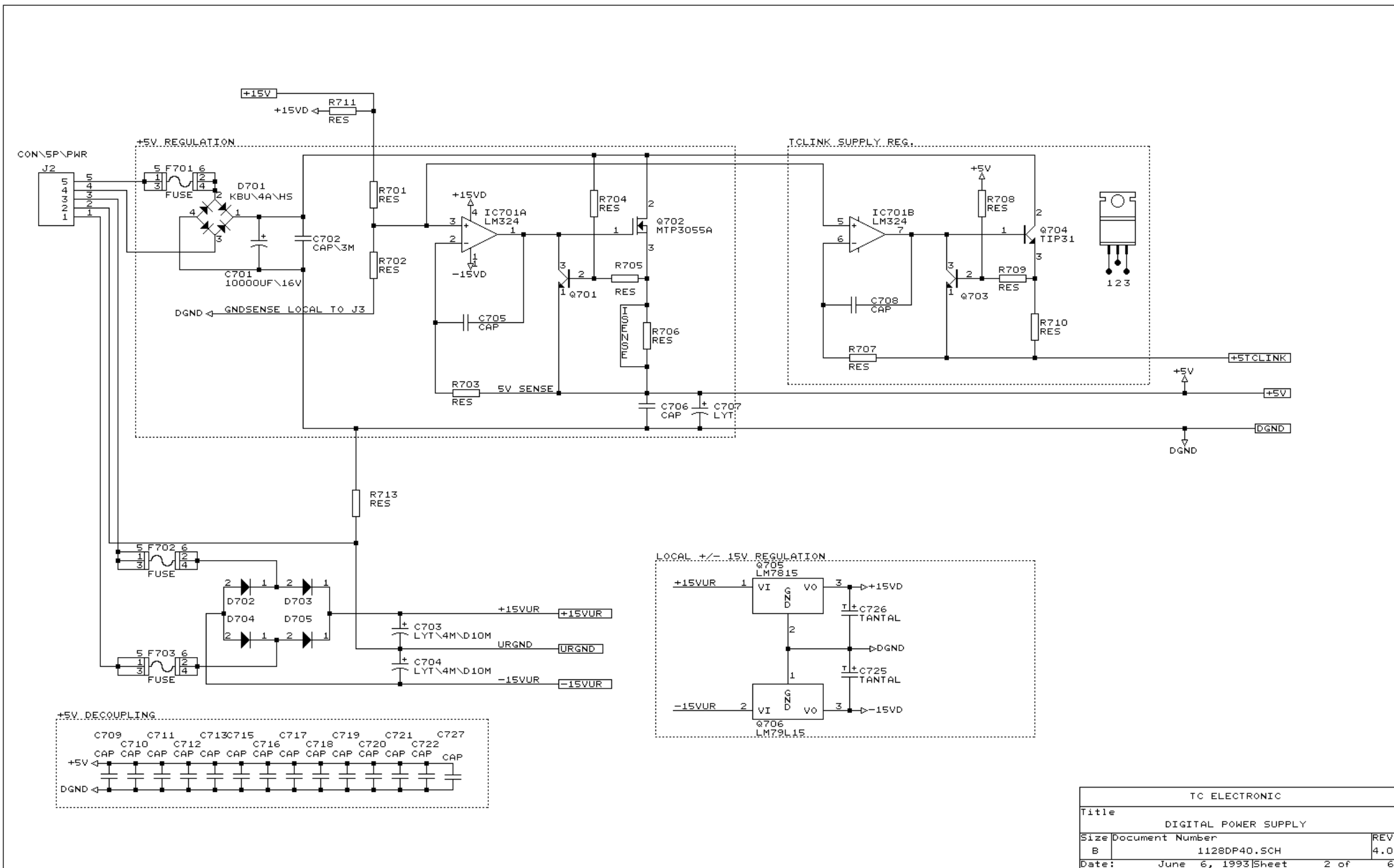
Side panel
583001011



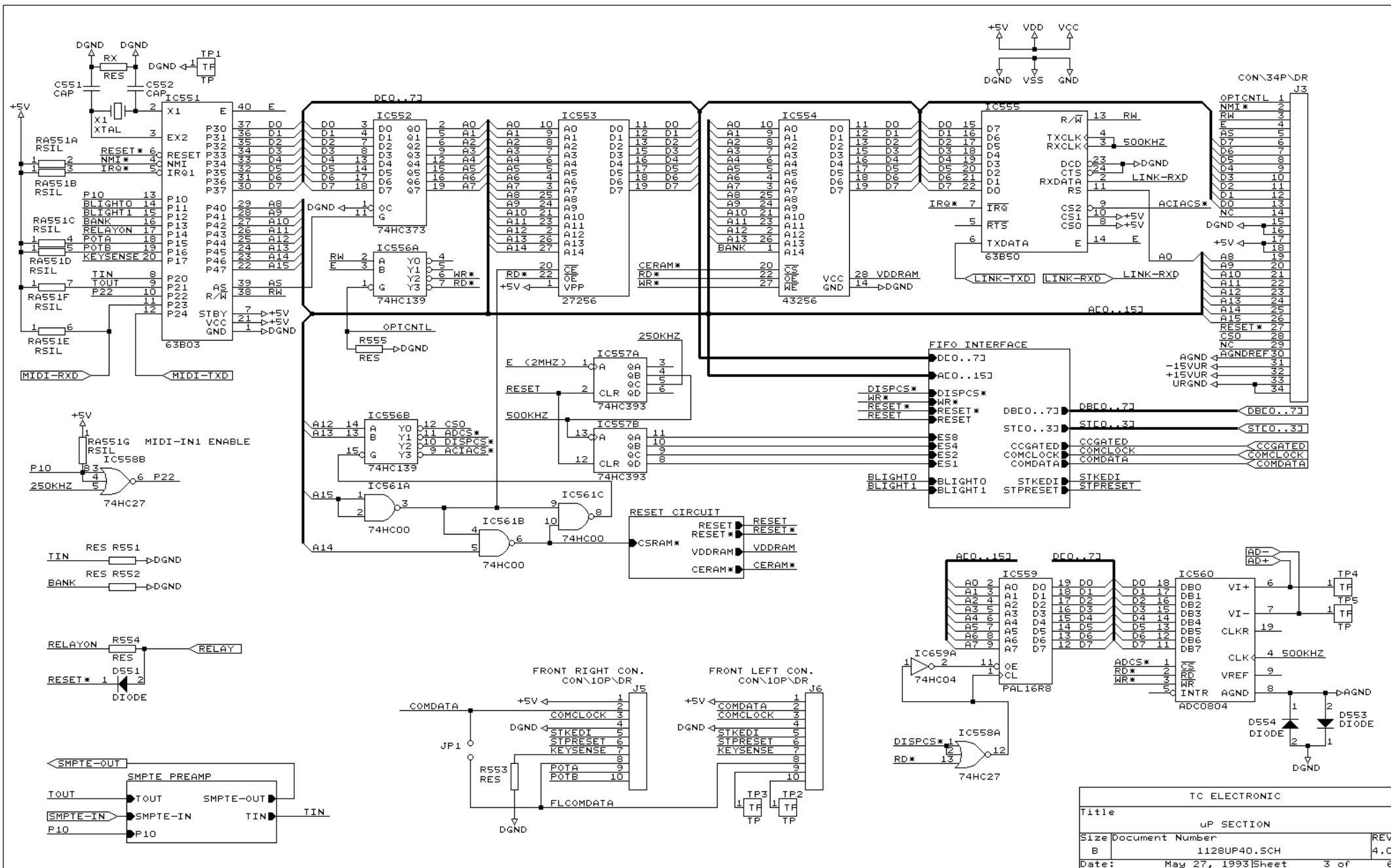
Layout PC2801-6
TC1128 main



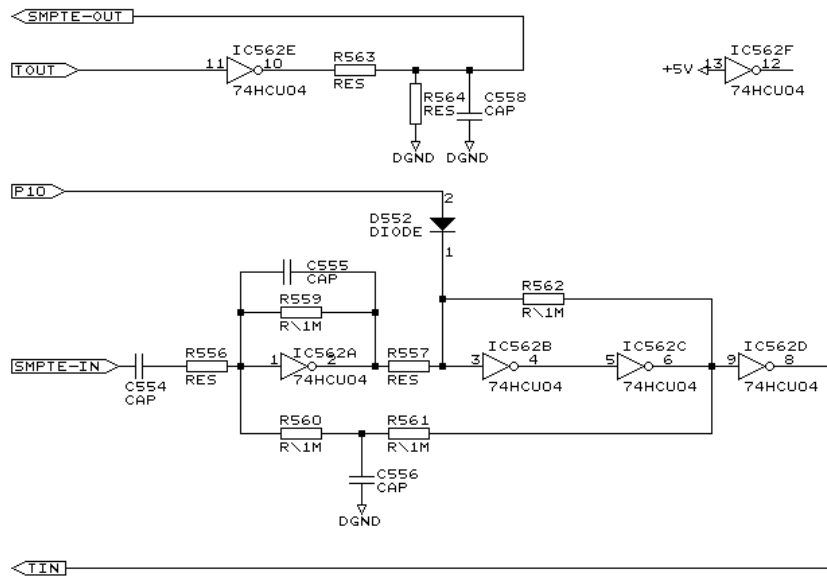
TC ELECTRONIC		
Title		
DIGITAL BOARD		
Size	Document Number	REV
A	PC2802-4.SCH	4.0
Date:	May 24, 1993	Sheet 1 of 6



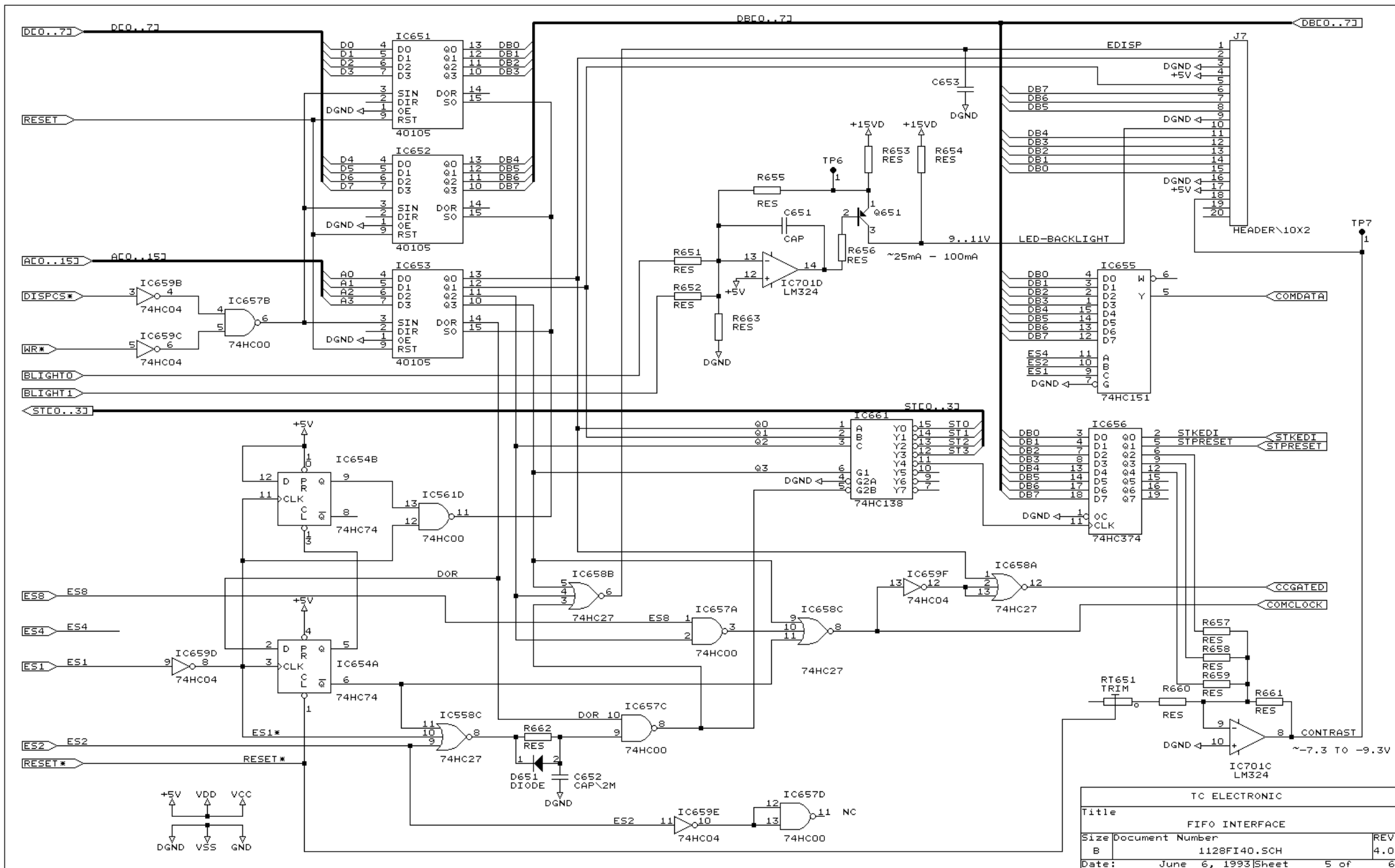
TC ELECTRONIC		
Title		
DIGITAL POWER SUPPLY		
Size	Document Number	REV
B	1128DP40.SCH	4.0
Date:	June 6, 1993	Sheet 2 of 6



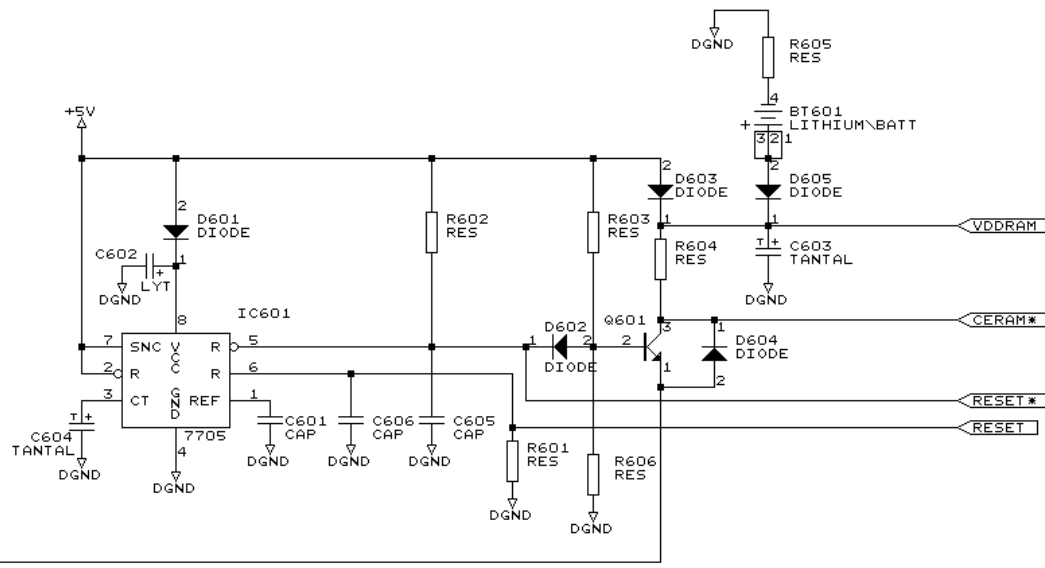
TC ELECTRONIC		
Title	uP SECTION	
Size	Document Number	REV
B	1128UP40.SCH	4.0
Date:	May 27, 1993	Sheet 3 of 6



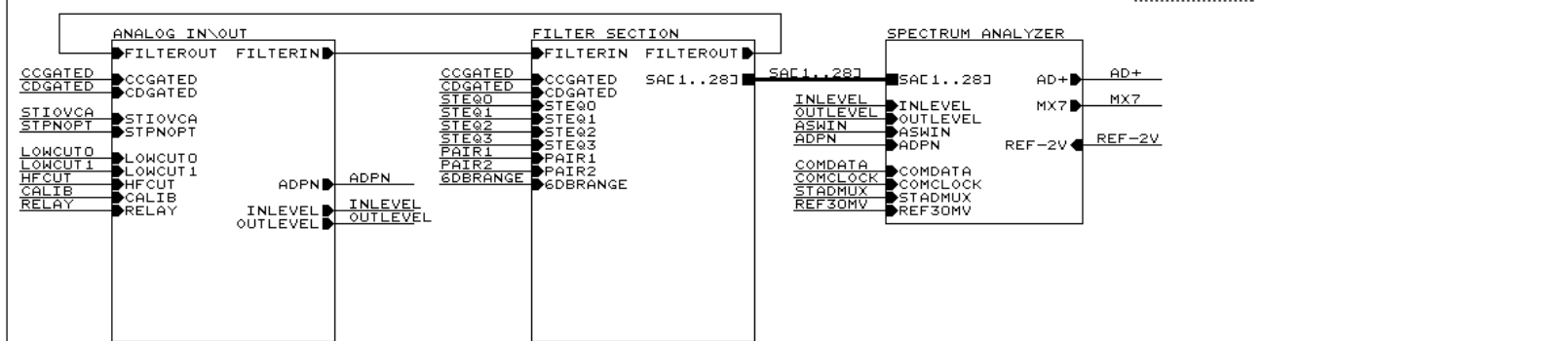
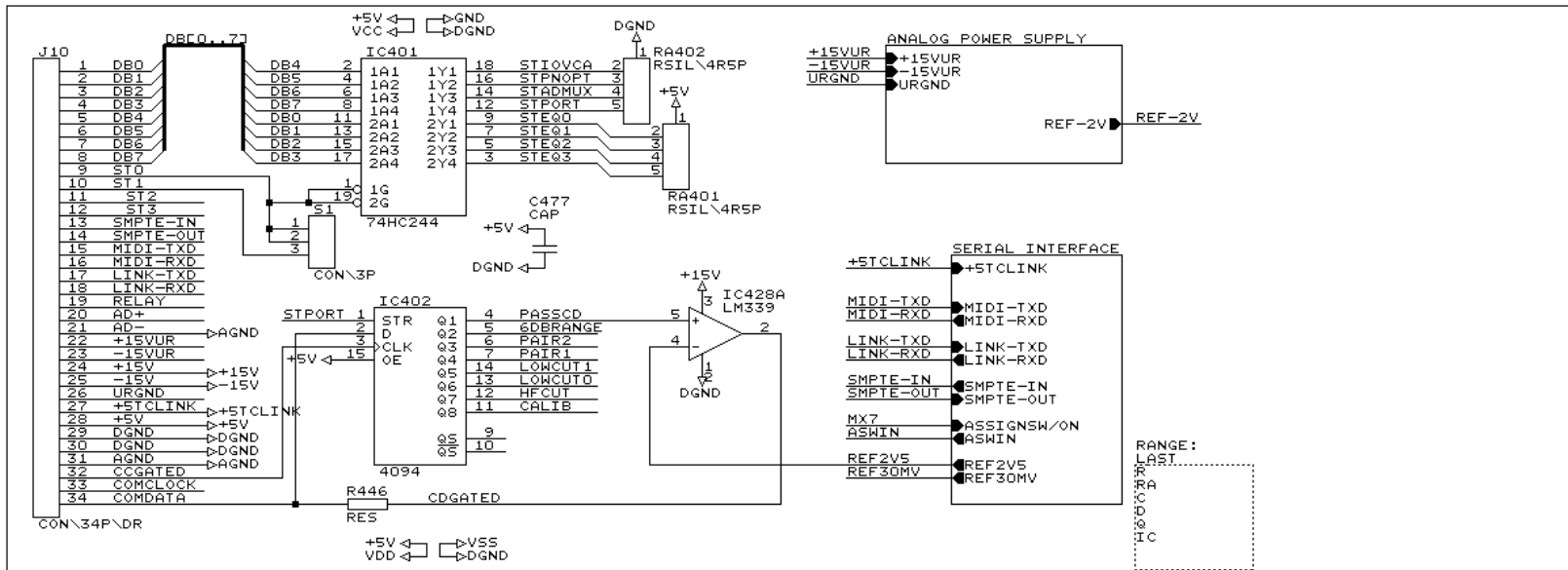
TC ELECTRONIC		
Title TC1128 SMPTE I/O		
Size	Document Number	REV
A	1128SM40.SCH	4.0
Date:	May 6, 1993	Sheet 4 of 6



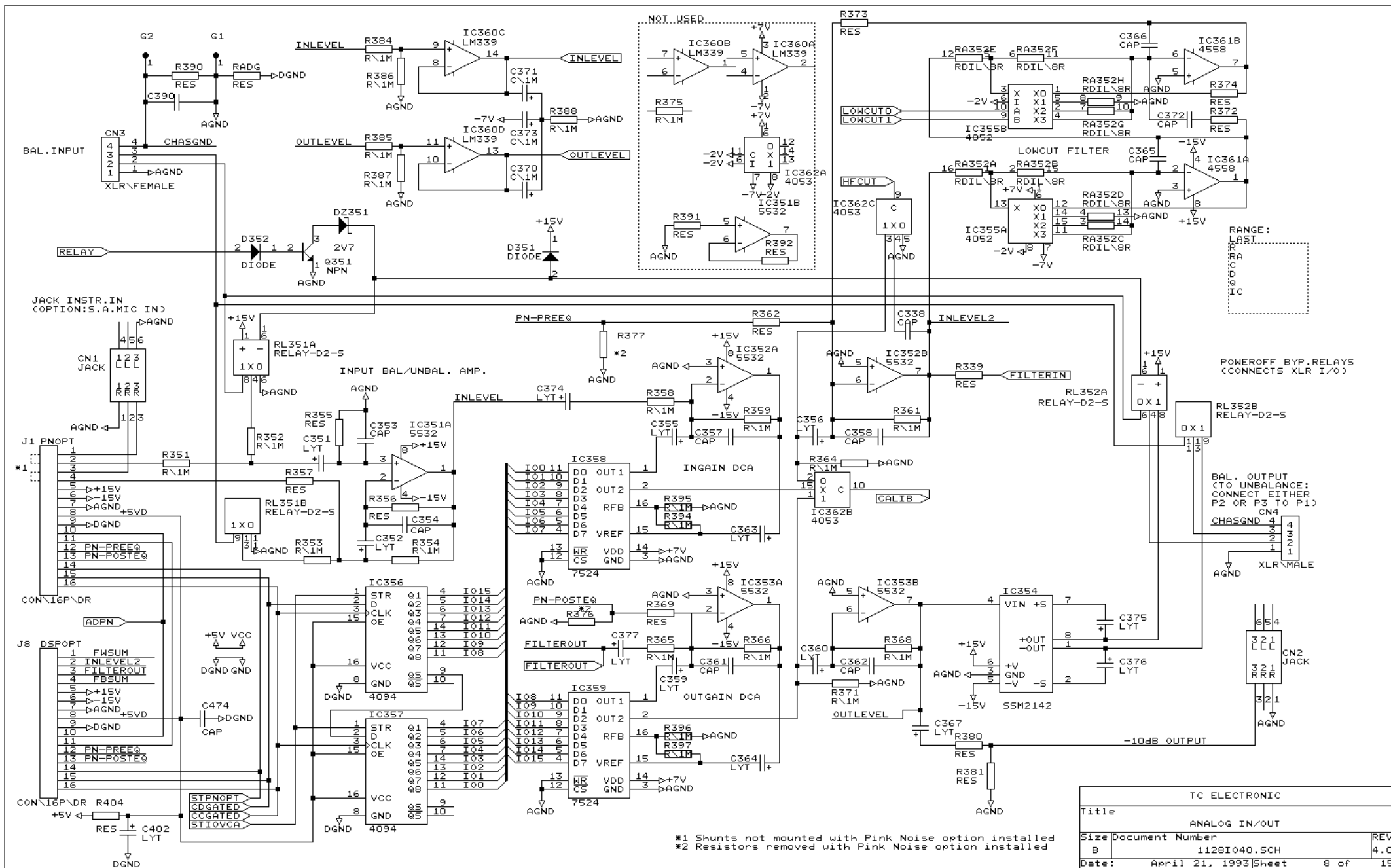
TC ELECTRONIC		
Title FIFO INTERFACE		
Size B	Document Number 1128FI40.SCH	REV 4.0
Date: June 6, 1993	Sheet 5 of 6	

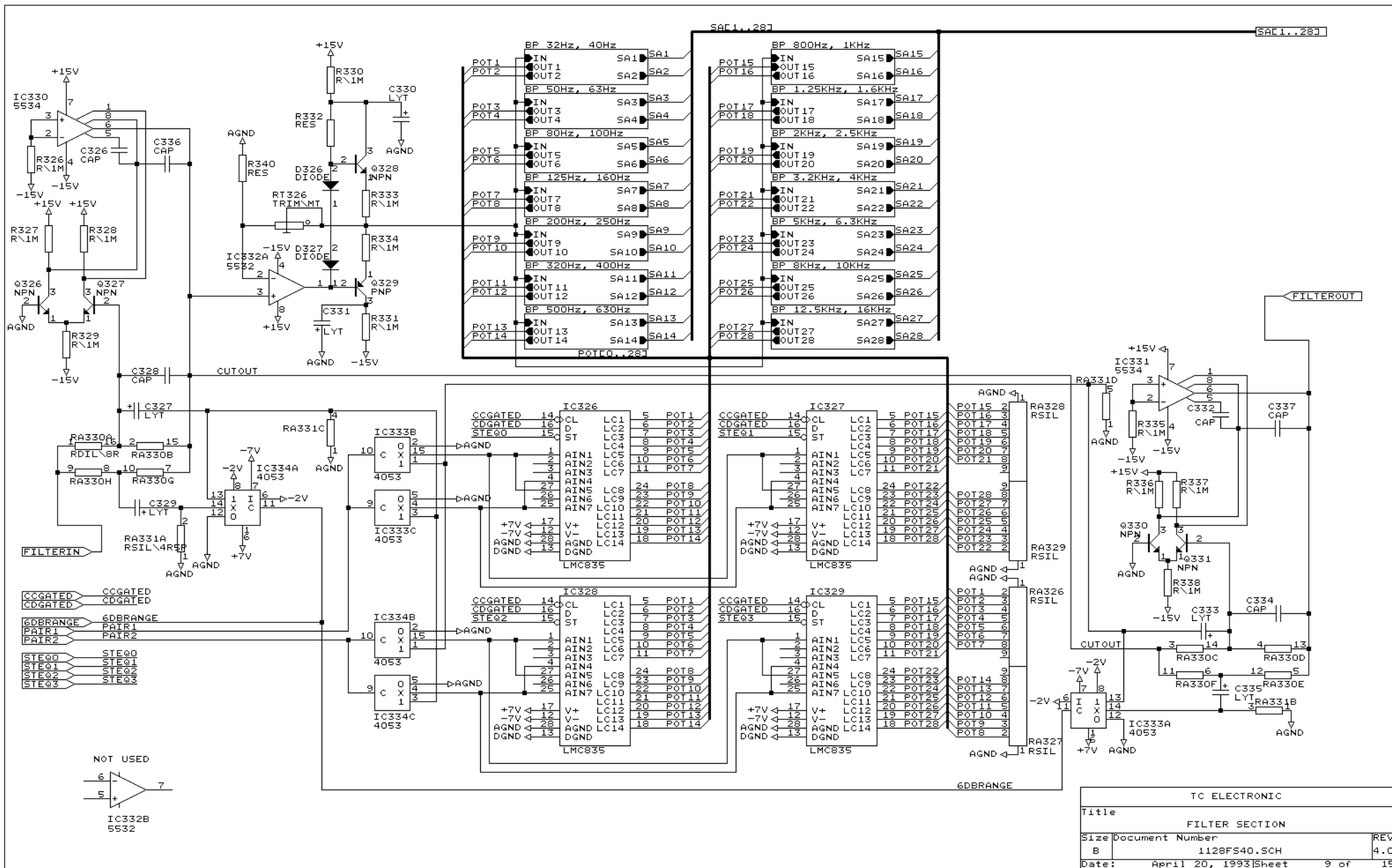


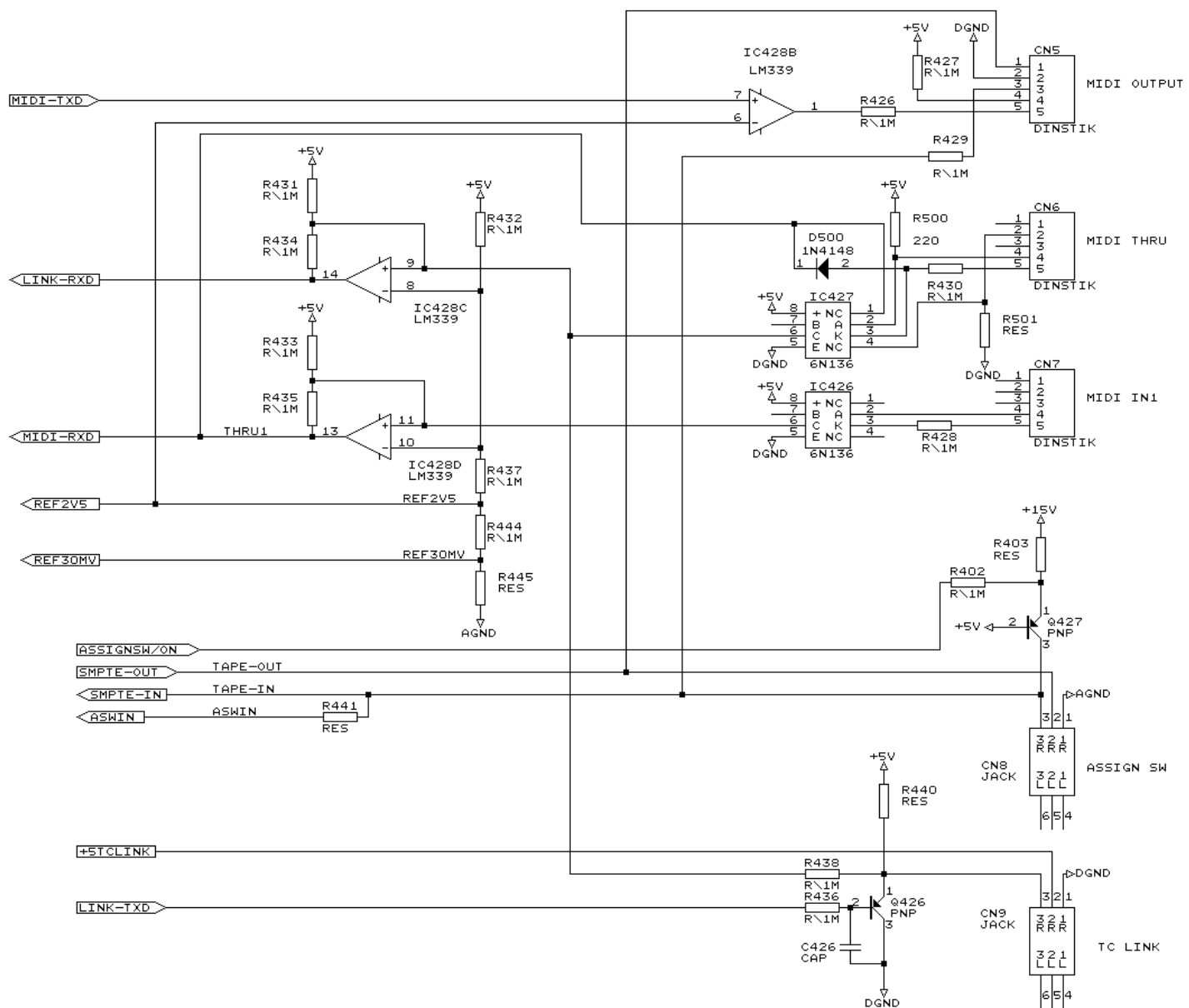
TC ELECTRONIC		
Title		
RESET CIRCUIT		
Size	Document Number	REV
A	1128RS40.SCH	4.0
Date:	June 6, 1993	Sheet 6 of 6



TC ELECTRONIC A/S		
Title		
ANALOG BOARD		
Size	Document Number	REV
A	PC2801-4.SCH	4.0
Date:	April 21, 1993	Sheet 7 of 15



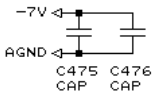
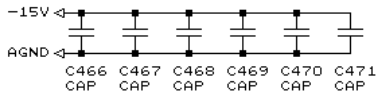
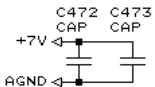
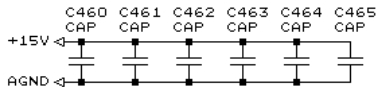
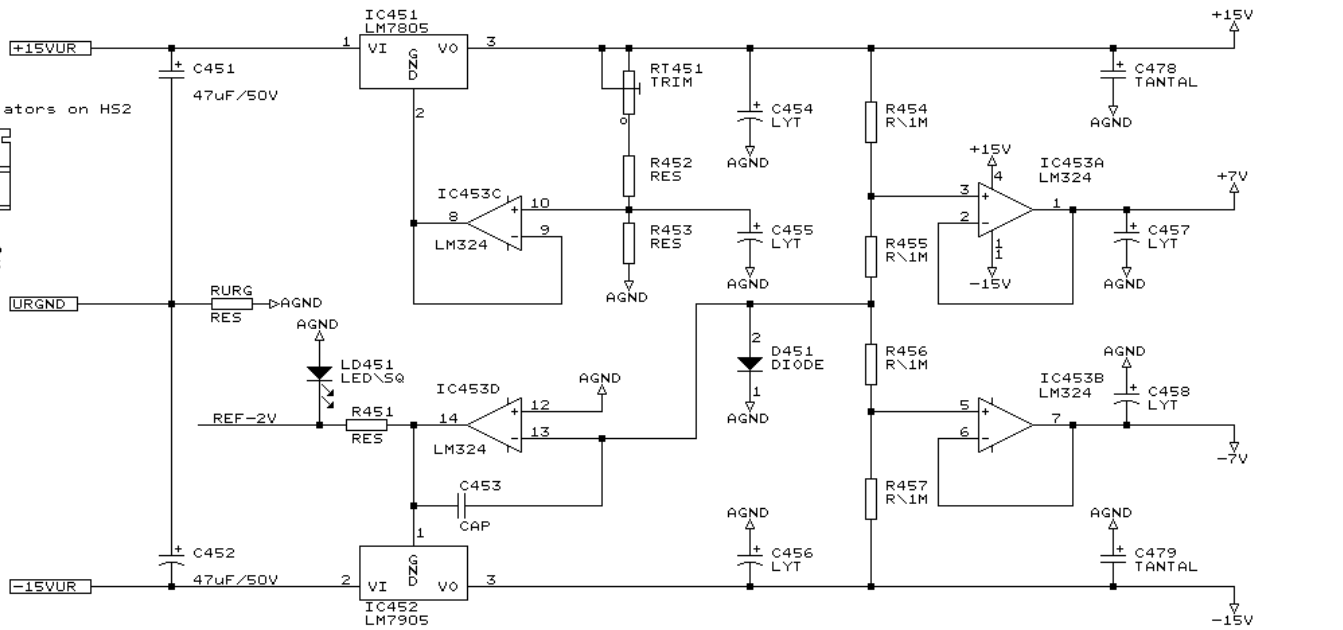
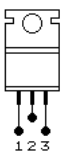




RANGE:
LAST
C
A

TC ELECTRONIC			
Title		SERIAL INTERFACE SECTION	
Size	Document Number	REV	
B	11285I40.SCH	4.0	
Date:	April 21, 1993	Sheet	11 of 15

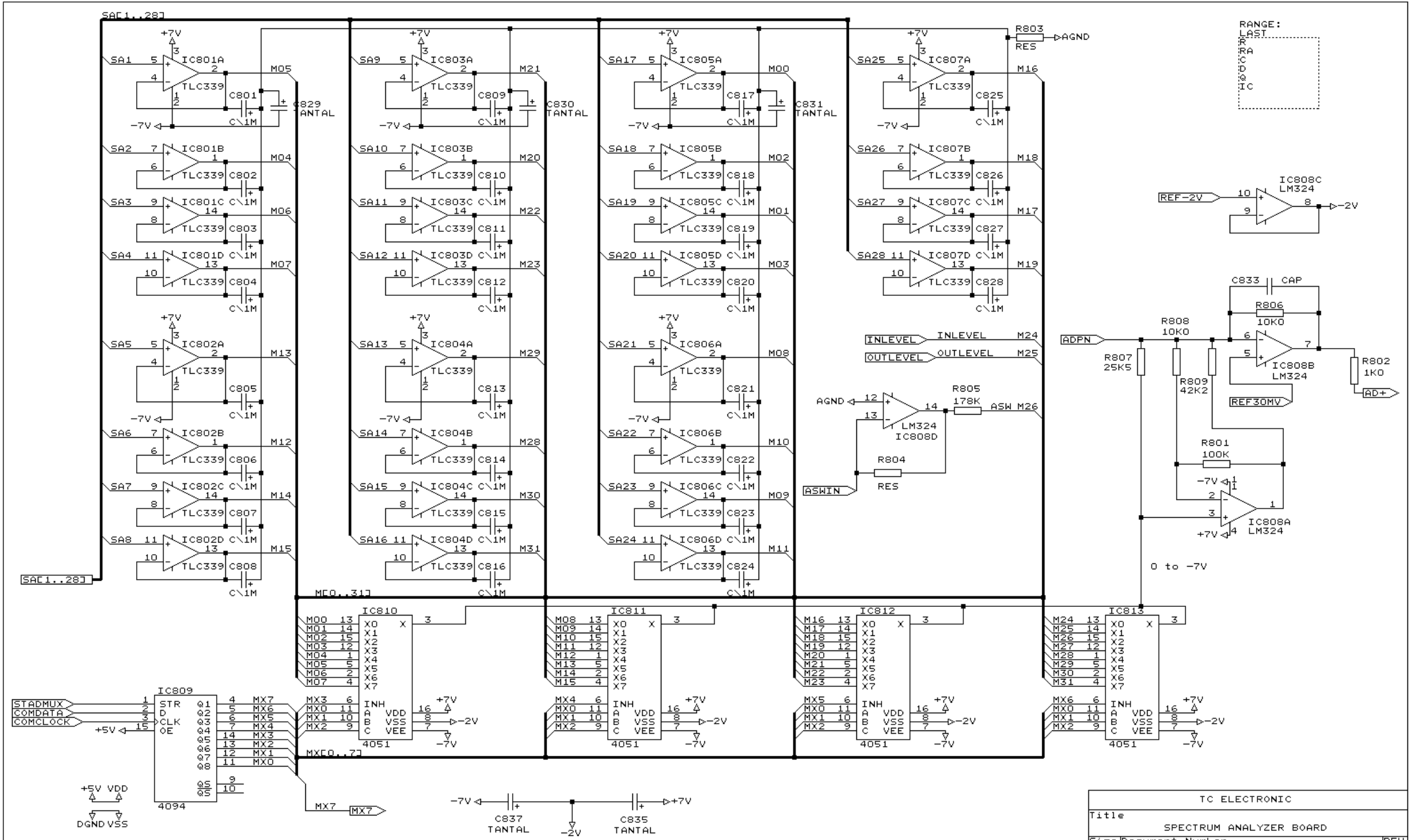
Voltage Regulators on HS2



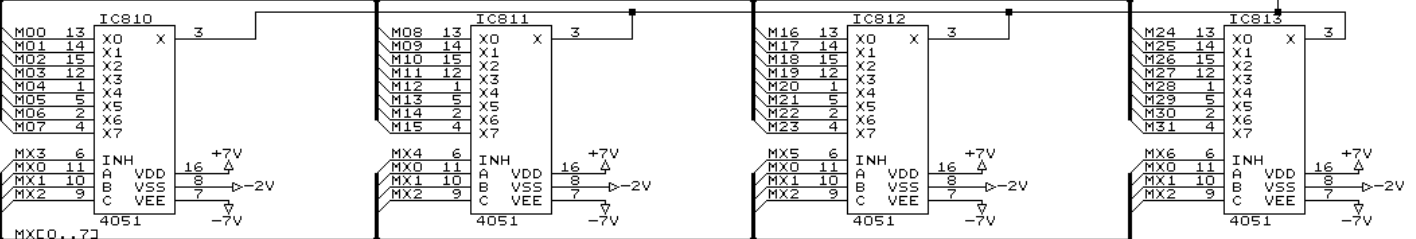
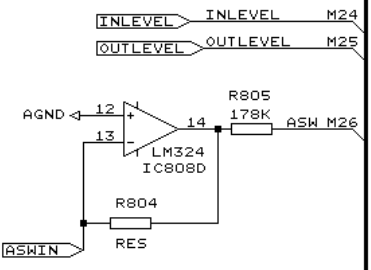
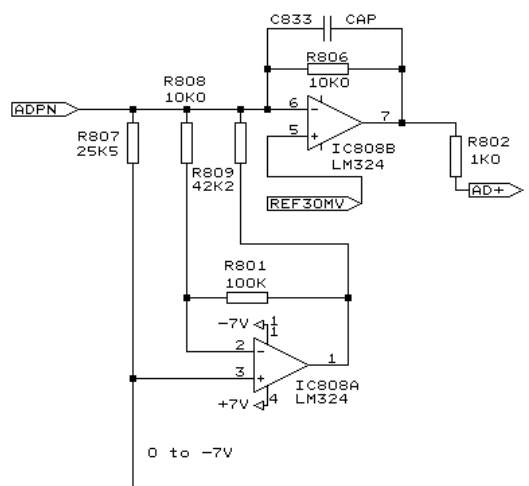
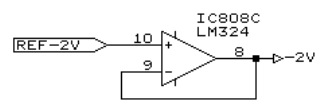
REF-2V ← REF-2V

RANGE:
LAST
...
R
A
R
C
0
0
C
I
C

Title		TC ELECTRONIC
Size		B
Document Number	1128AP40.SCH	
Date:	April 16, 1993	Sheet 12 of 15
REV	4.0	

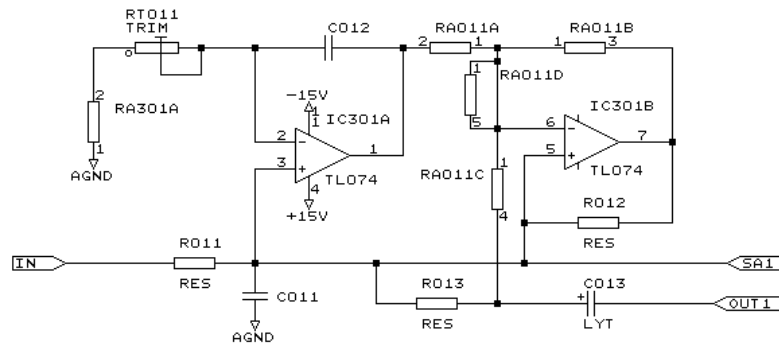


RANGE:
LASI...
IC808A
IC808B
IC808C

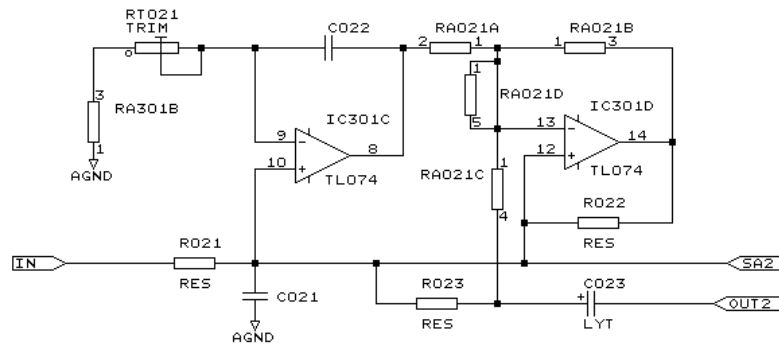


TC ELECTRONIC		
Title SPECTRUM ANALYZER BOARD		
Size	Document Number	REV
B	1128SA40.SCH	4.0
Date:	April 20, 1993	Sheet 13 of 15

32 Hz Bandpass filter

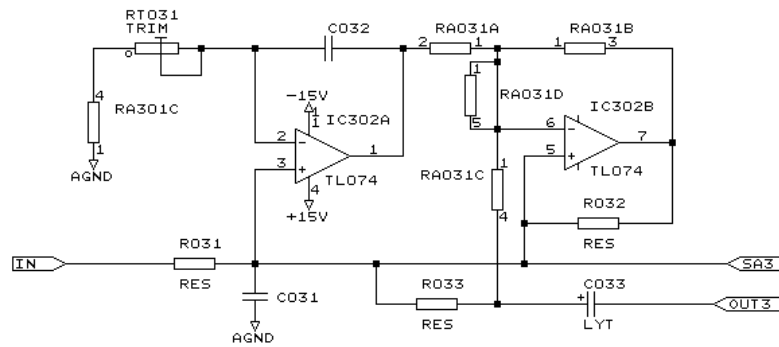


40Hz Bandpass filter

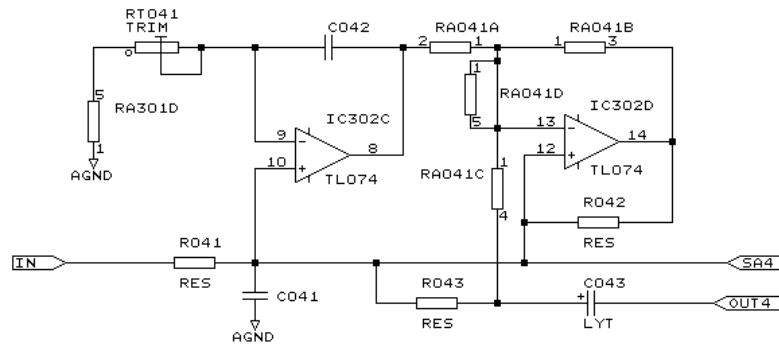


T.C. ELECTRONIC A/S		
Title Filter 32Hz and 40Hz		
Size	Document Number	REV
A	1128BP40.001	4.0
Date:	April 20, 1993	Sheet of

50 Hz Bandpass filter

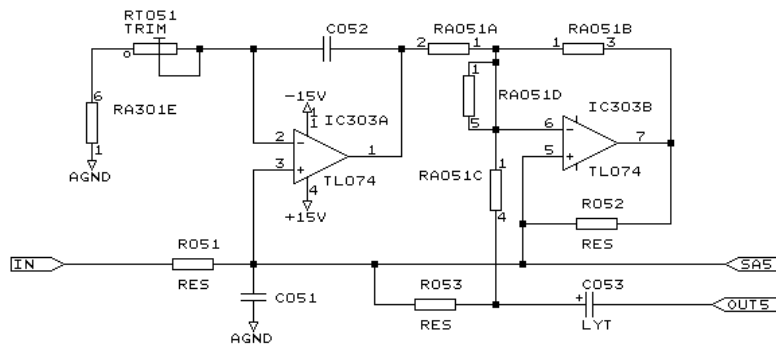


63 Hz Bandpass filter

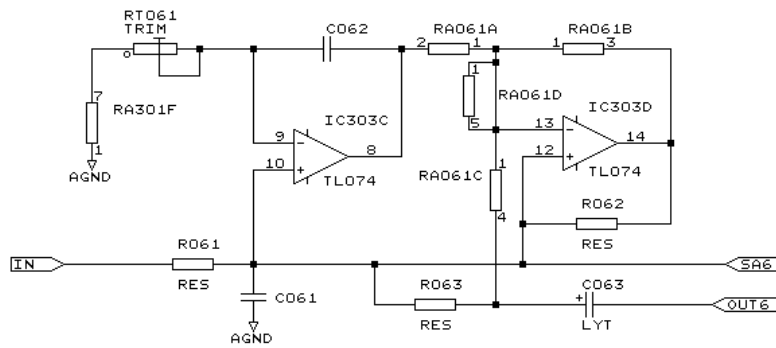


T.C. ELECTRONIC A/S		
Title Filter 50Hz and 63Hz		
Size	Document Number	REV
A	1128BP40.002	4.0
Date:	April 20, 1993	Sheet of

80 Hz Bandpass filter

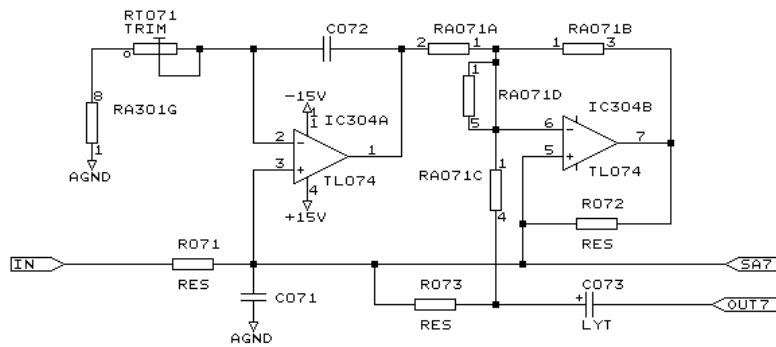


100 Hz Bandpass filter

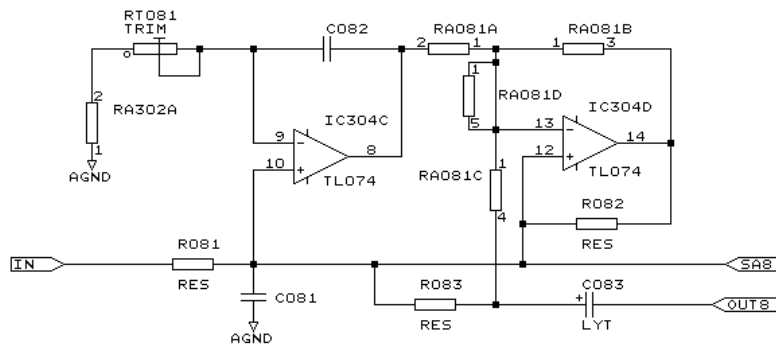


T.C. ELECTRONIC A/S		
Title Filter 80Hz and 100Hz		
Size	Document Number	REV
A	1128BP40.003	4.0
Date:	April 20, 1993	Sheet of

125 Hz Bandpass filter

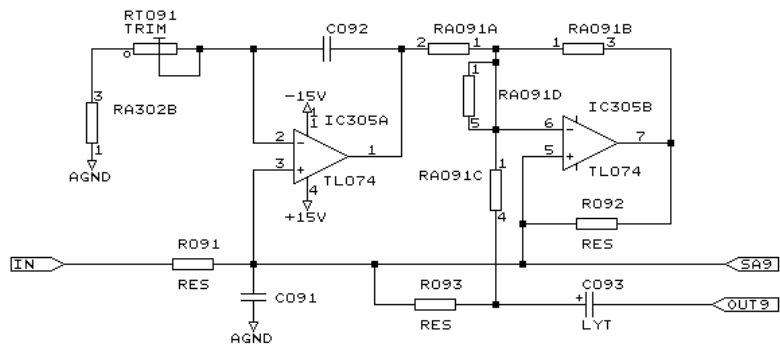


160 Hz Bandpass filter

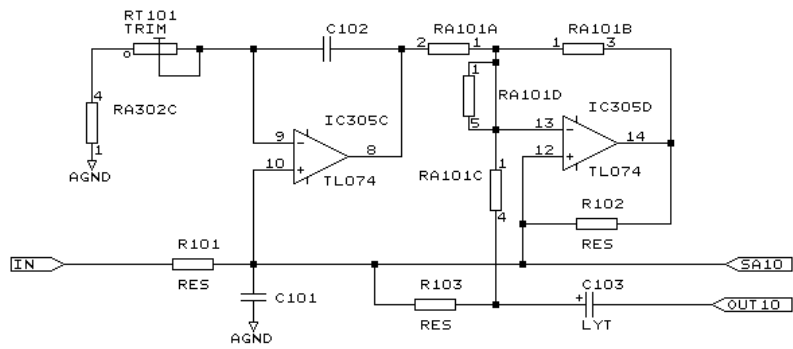


T.C. ELECTRONIC A/S		
Title Filter 125Hz and 160Hz		
Size	Document Number	REV
A	1128BP40.004	4.0
Date:	April 21, 1993	Sheet of

200 Hz Bandpass filter

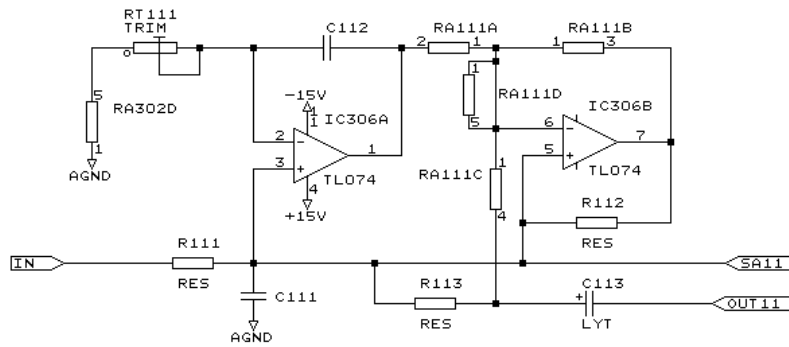


250 Hz Bandpass filter

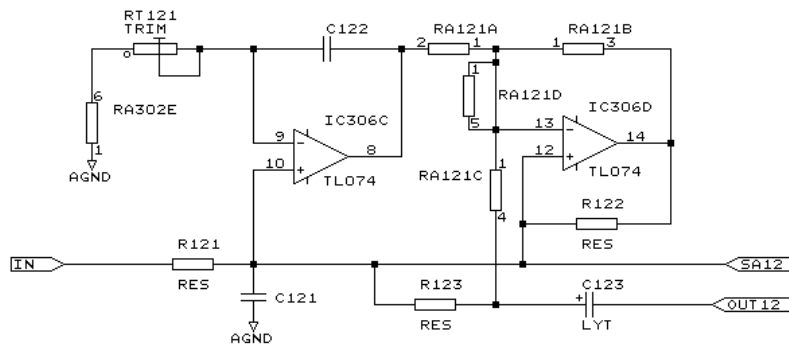


T.C. ELECTRONIC A/S		
Title Filter 200Hz and 250Hz		
Size	Document Number	REV
A	1128BP40.005	4.0
Date:	April 21, 1993	Sheet of

320 Hz Bandpass filter

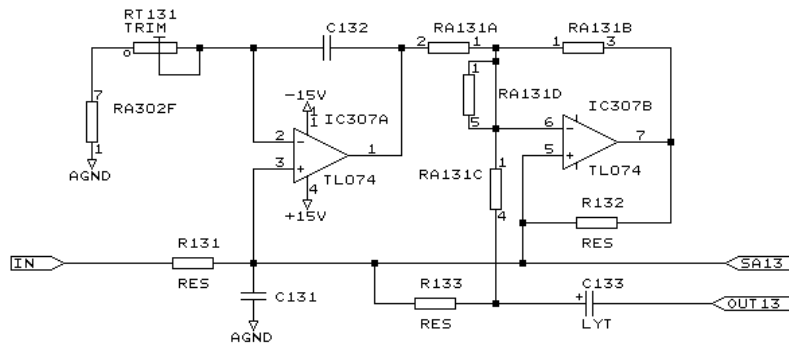


400 Hz Bandpass filter

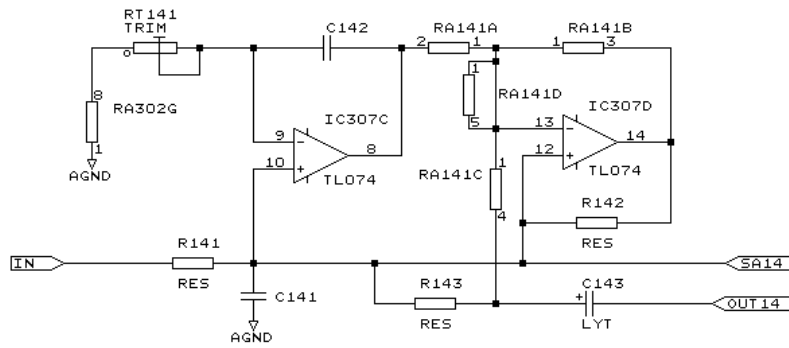


T.C. ELECTRONIC A/S		
Title Filter 320Hz and 400Hz		
Size	Document Number	REV
A	1128BP40.006	4.0
Date:	April 21, 1993	Sheet of

500 Hz Bandpass filter

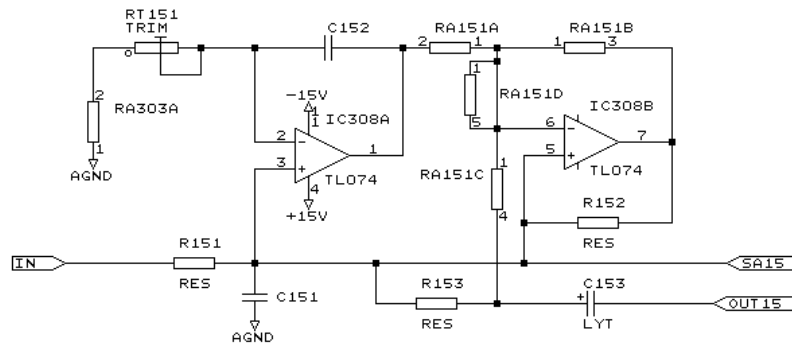


630 Hz Bandpass filter

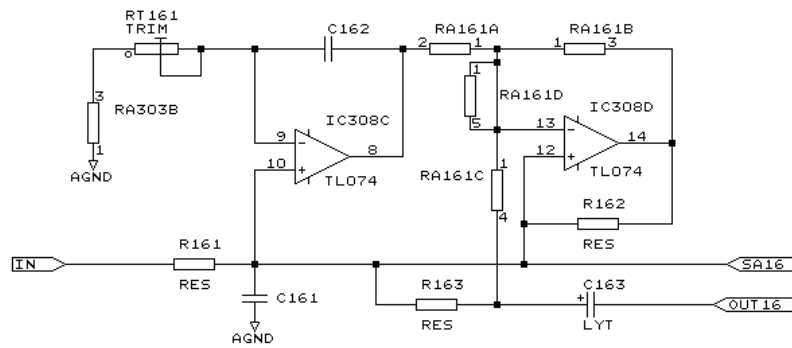


T.C. ELECTRONIC A/S		
Title Filter 500Hz and 630Hz		
Size	Document Number	REV
A	1128BP40.007	4.0
Date:	April 21, 1993	Sheet of

800 Hz Bandpass filter

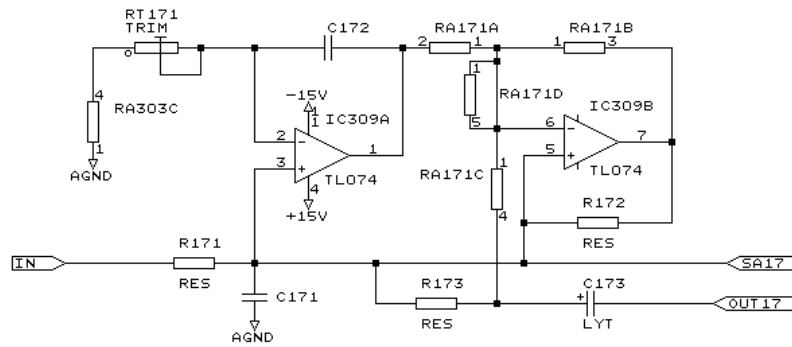


1KHz Bandpass filter

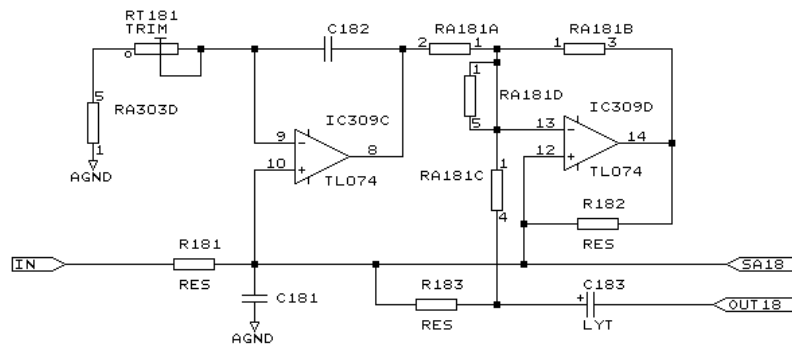


T.C. ELECTRONIC A/S		
Title		
Filter 800Hz and 1KHz		
Size	Document Number	REV
A	1128BP40.008	4.0
Date:	April 21, 1993	Sheet of

1.25 KHz Bandpass filter

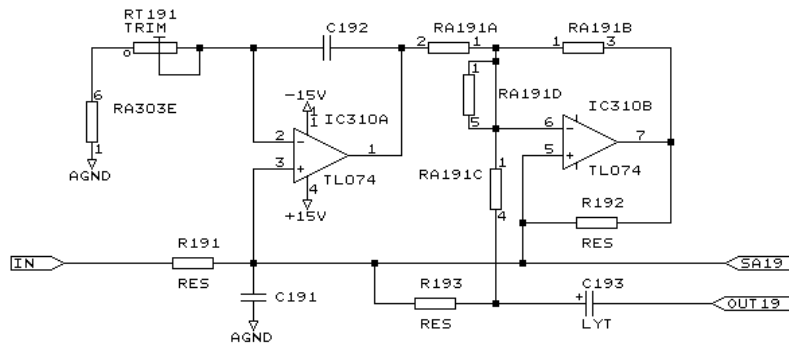


1.6 KHz Bandpass filter

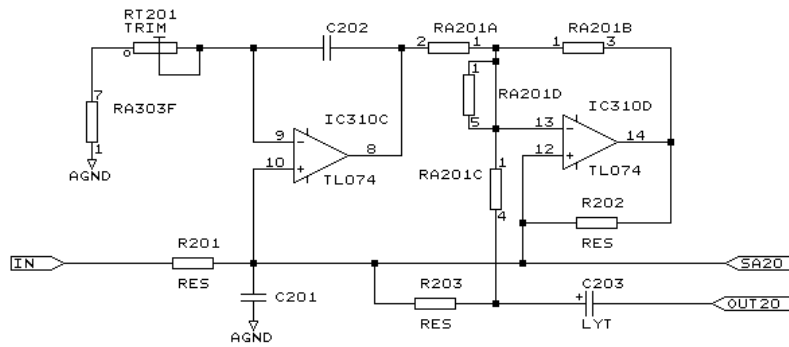


T.C. ELECTRONIC A/S		
Title Filter 1.25KHz and 1.6KHz		
Size	Document Number	REV
A	1128BP40.009	4.0
Date:	April 21, 1993	Sheet of

2 KHz Bandpass filter

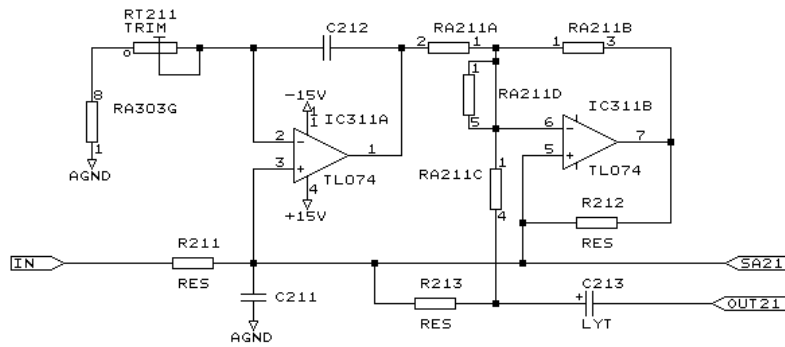


2.5 KHz Bandpass filter

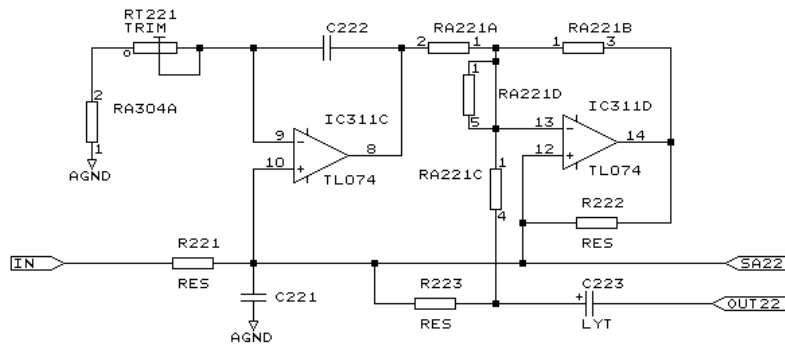


T.C. ELECTRONIC A/S		
Title		
2KHz and 2.5KHz		
Size	Document Number	REV
A	1128BP40.010	4.0
Date:	April 21, 1993	Sheet of

3.2 KHz Bandpass filter

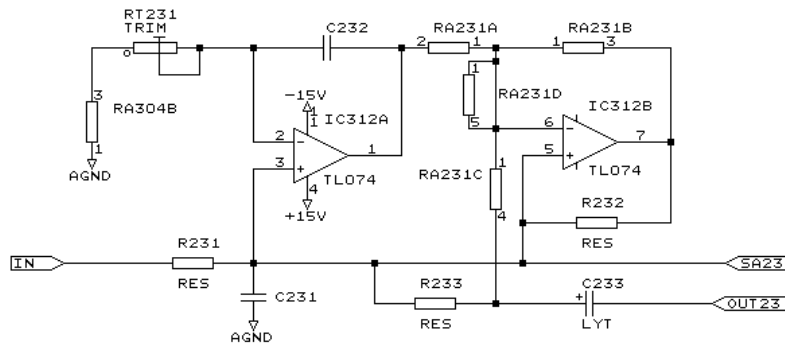


4 KHz Bandpass filter

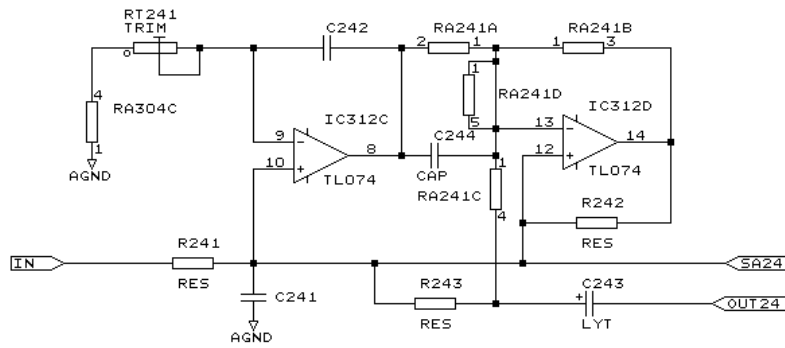


T.C. ELECTRONIC A/S		
Title Filter 3.2KHz and 4KHz		
Size	Document Number	REV
A	1128BP40.011	4.0
Date:	April 21, 1993	Sheet of

5 KHz Bandpass filter

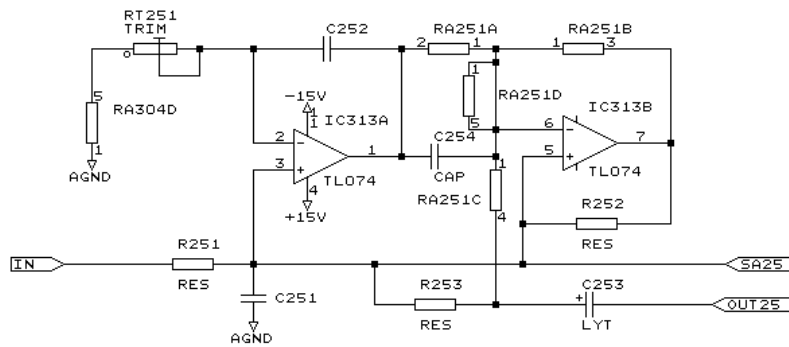


6.3 KHz Bandpass filter

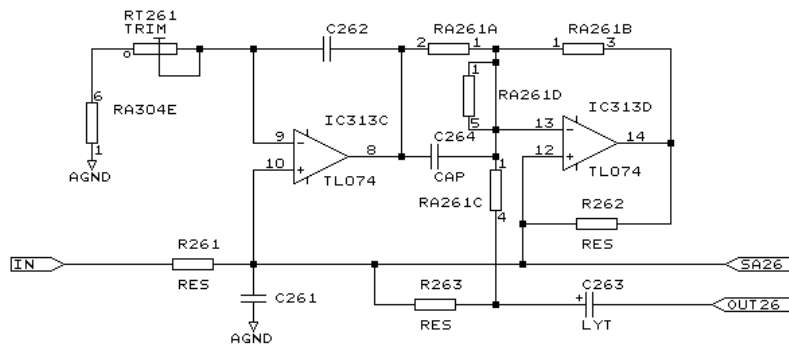


T.C. ELECTRONIC A/S		
Title Filter 5KHz and 6.3KHz		
Size	Document Number	REV
A	1128BP40.012	4.0
Date:	April 21, 1993	Sheet of

8 KHz Bandpass filter

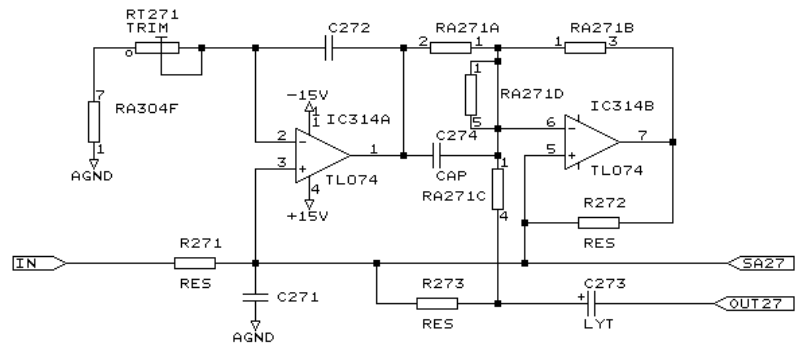


10 KHz Bandpass filter

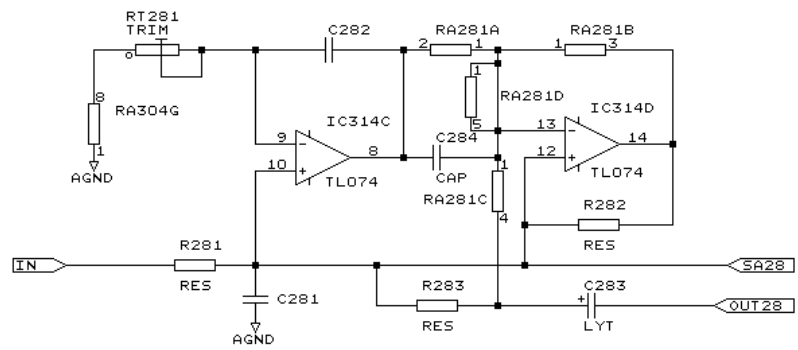


T.C. ELECTRONIC A/S		
Title Filter 8KHz and 10KHz		
Size	Document Number	REV
A	1128BP40.013	4.0
Date:	April 21, 1993	Sheet of

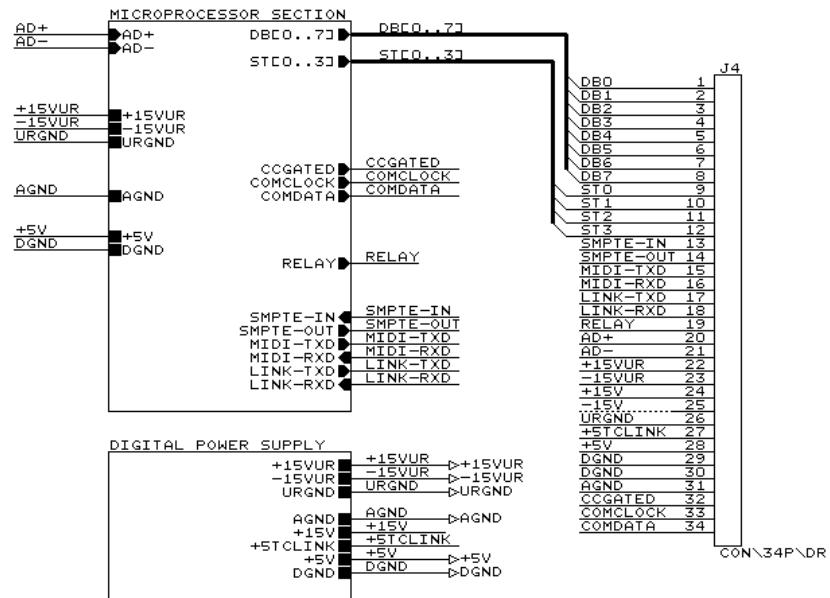
12.5 KHz Bandpass filter



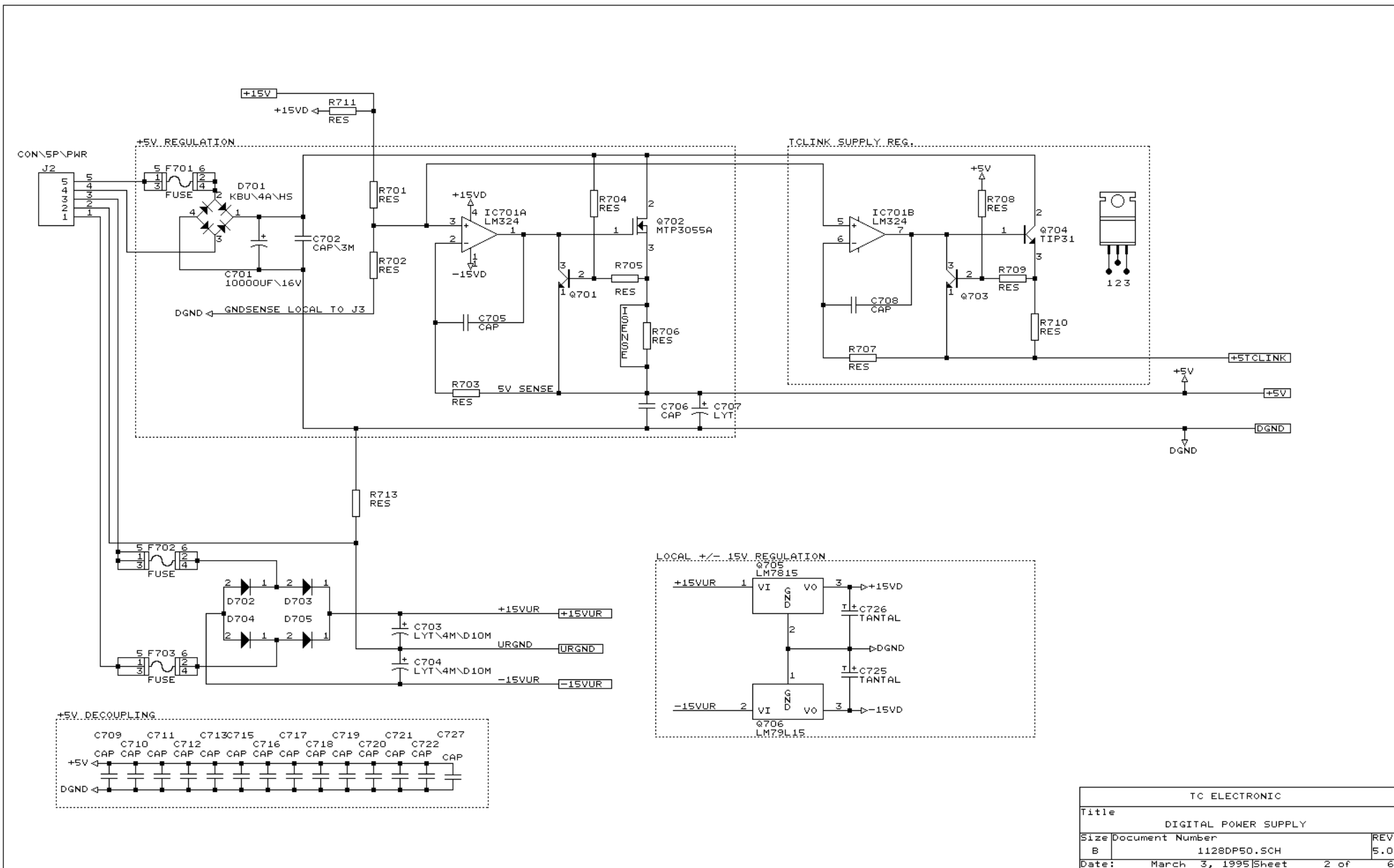
16 KHz Bandpass filter



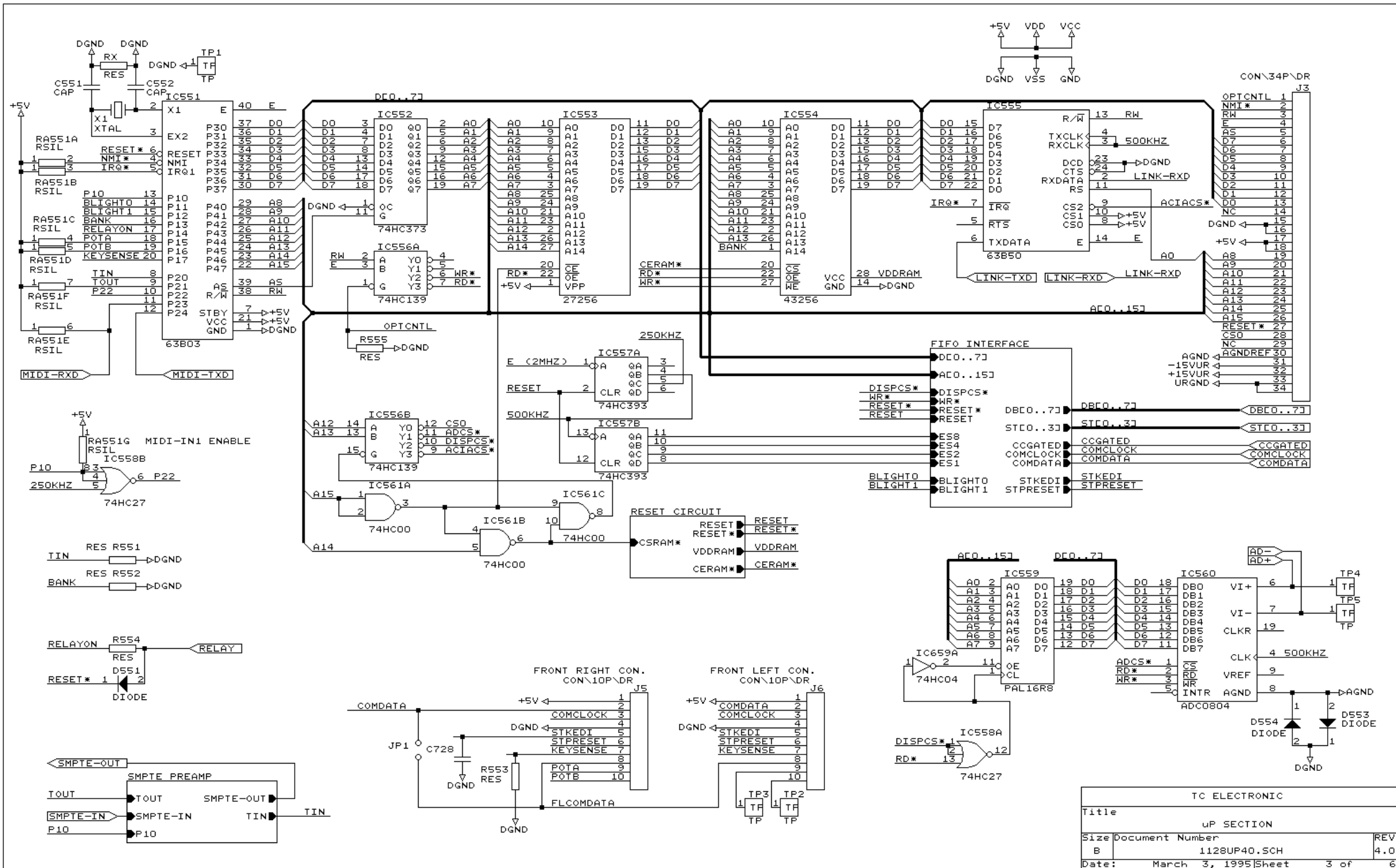
T.C. ELECTRONIC A/S		
Title Filter 12.5KHz and 16KHz		
Size	Document Number	REV
A	1128BP40.014	4.0
Date:	April 21, 1993	Sheet of



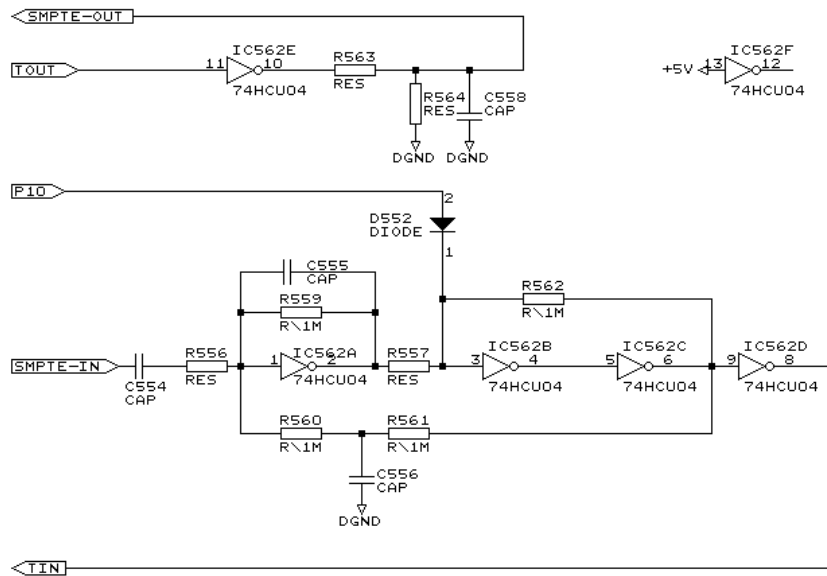
TC ELECTRONIC		
Title		
DIGITAL BOARD		
Size	Document Number	REV
A	PC2802-5.SCH	5.0
Date:	March 3, 1995	Sheet 1 of 6



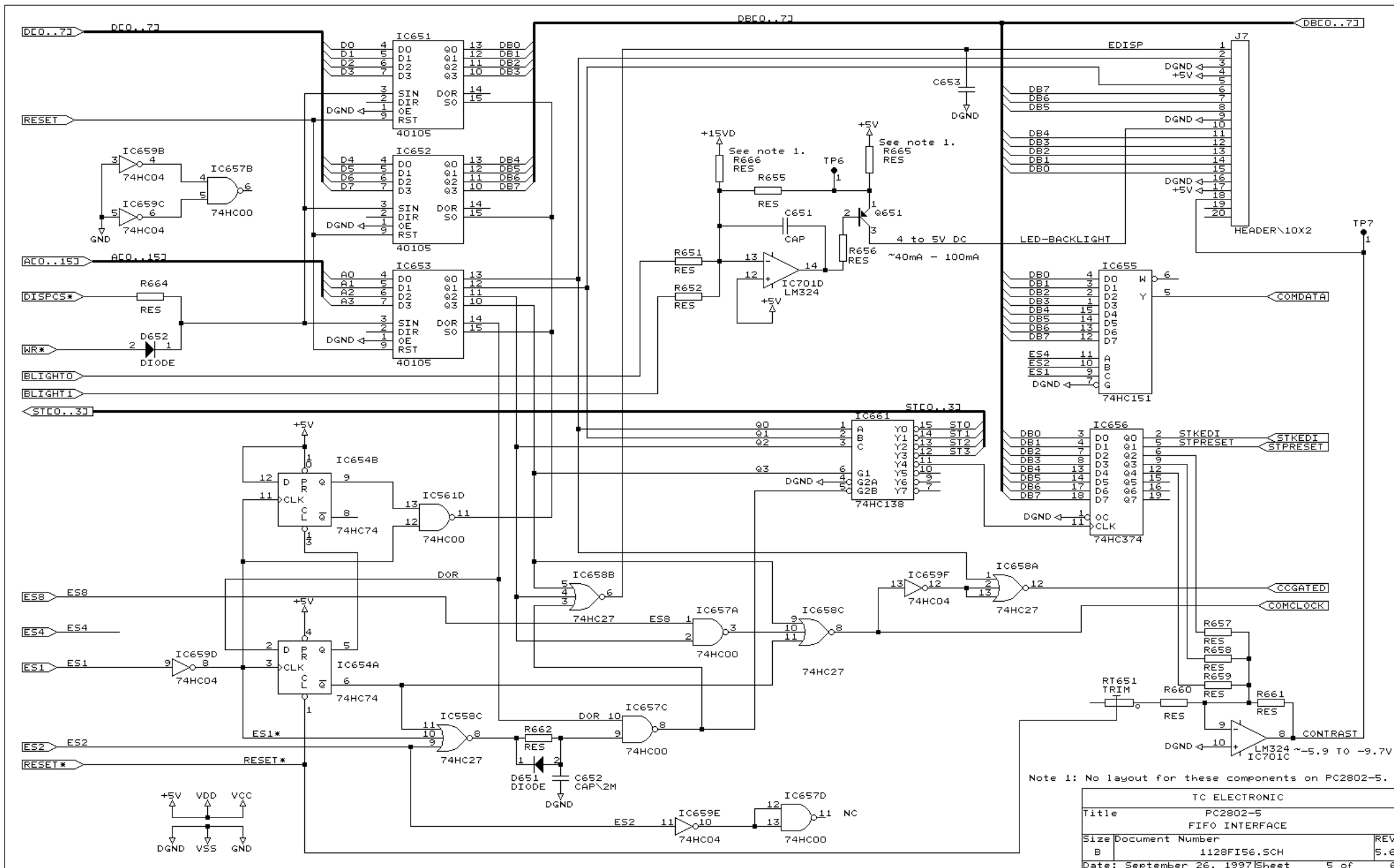
TC ELECTRONIC		
Title DIGITAL POWER SUPPLY		
Size B	Document Number 1128DP50.SCH	REV 5.0
Date:	March 3, 1995	Sheet 2 of 6



TC ELECTRONIC			
Title	uP SECTION		
Size	Document Number	REV	
B	1128UP40.SCH	4.0	
Date:	March 3, 1995	Sheet	3 of 6

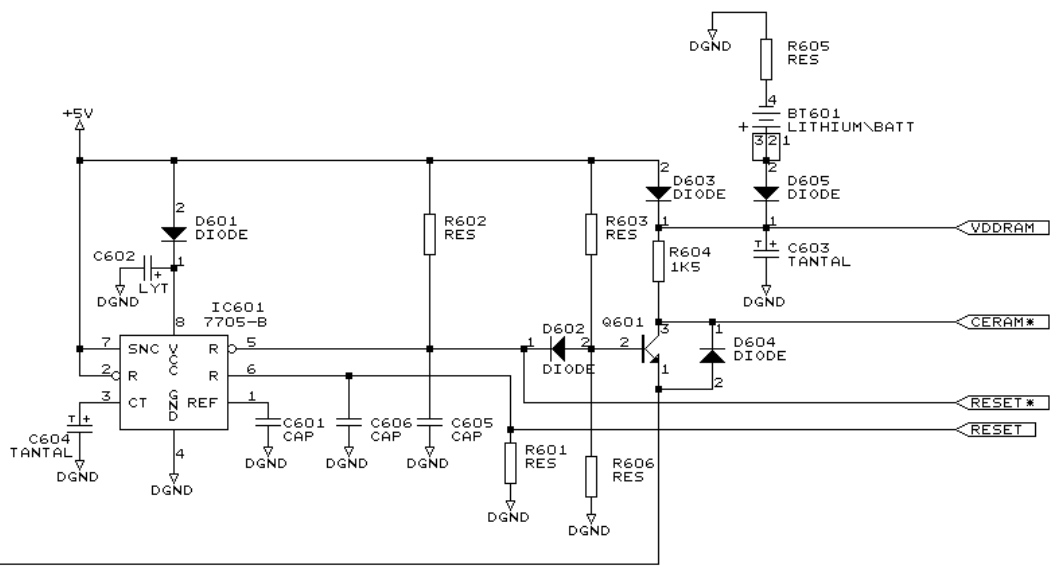


TC ELECTRONIC		
Title TC1128 SMPTE I/O		
Size	Document Number	REV
A	1128SM50.SCH	5.0
Date:	March 3, 1995	Sheet 4 of 6



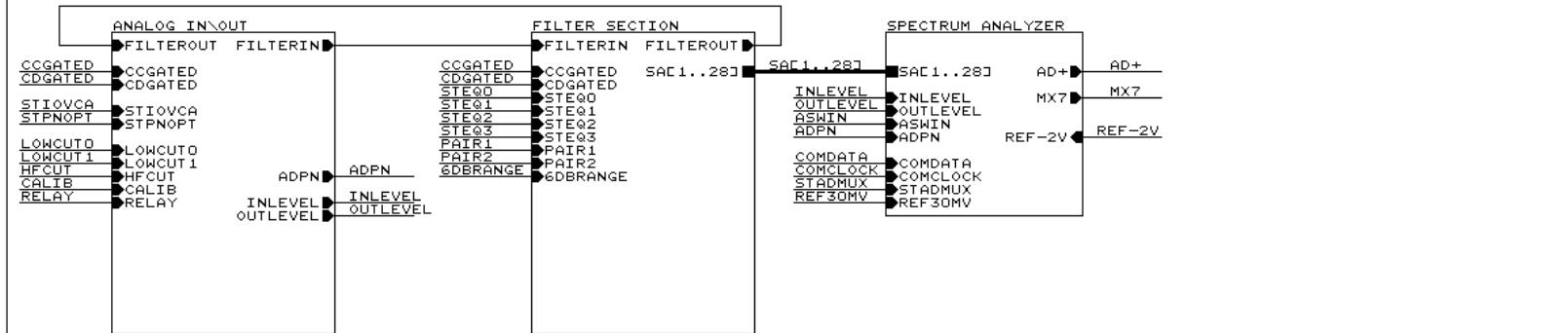
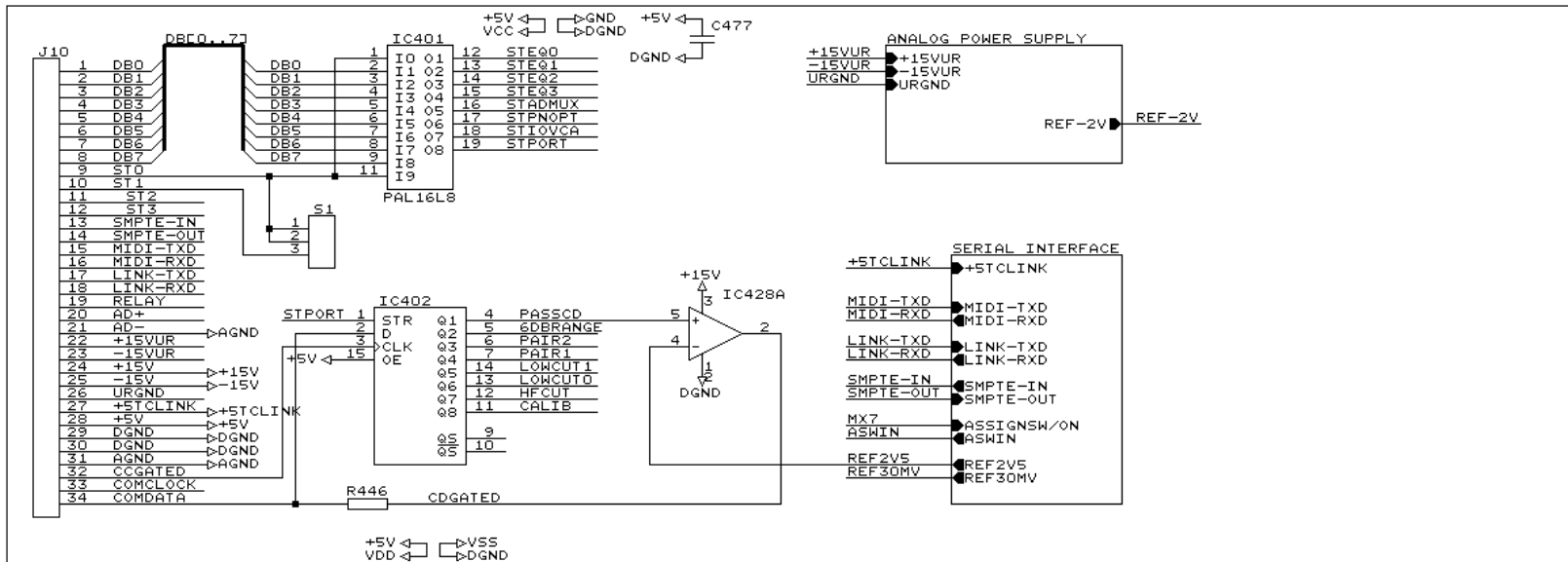
Note 1: No layout for these components on PC2802-5.

TC ELECTRONIC		
Title PC2802-5 FIFO INTERFACE		
Size B	Document Number 1128FI56.SCH	REV 5.6
Date: September 26, 1997	Sheet	5 of 6

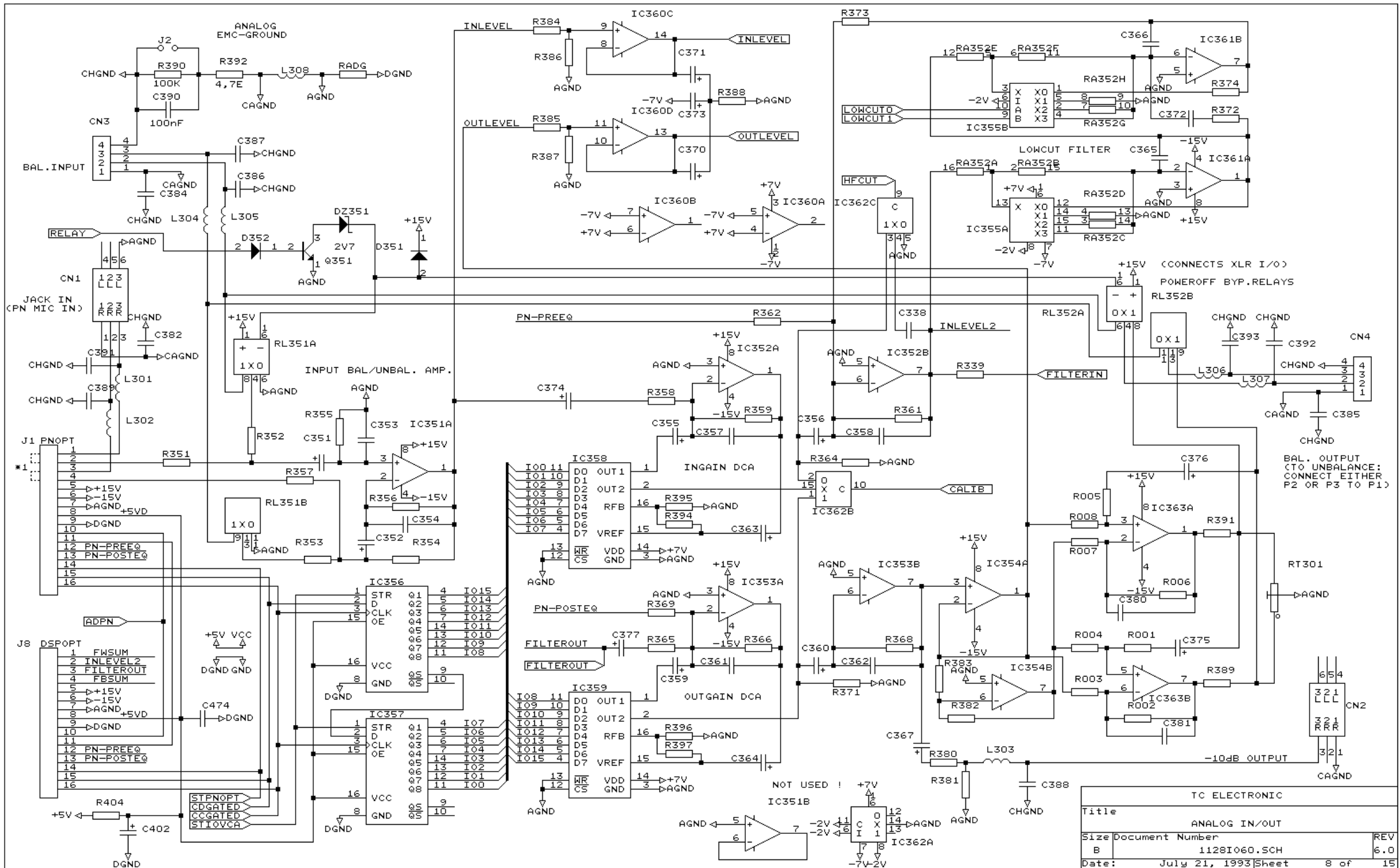


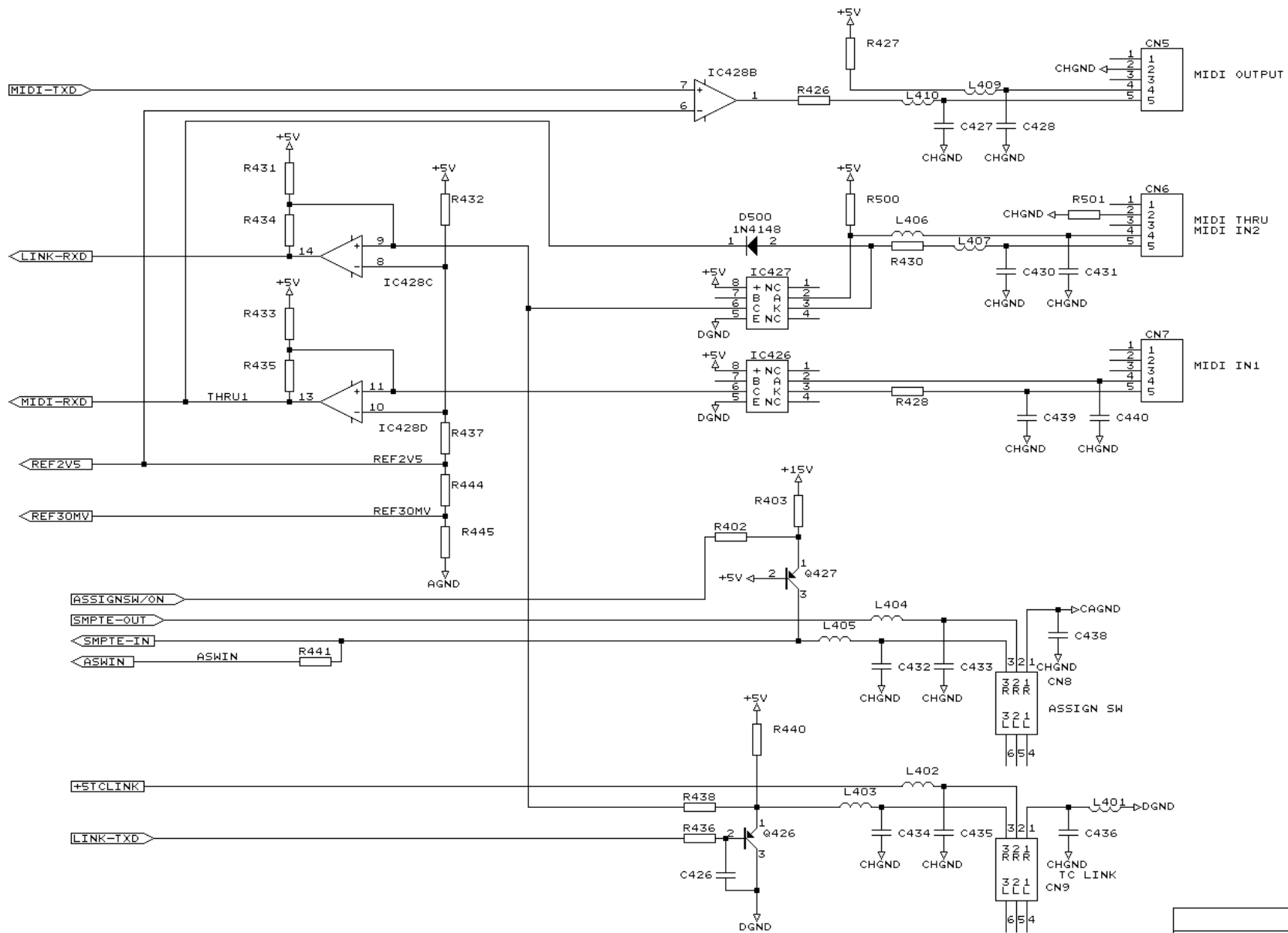
CSRAM*

TC ELECTRONIC		
Title		
RESET CIRCUIT		
Size	Document Number	REV
A	1128RS50.SCH	S.0
Date:	May 21, 1995	Sheet 6 of 6



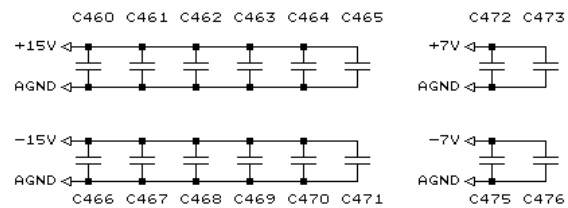
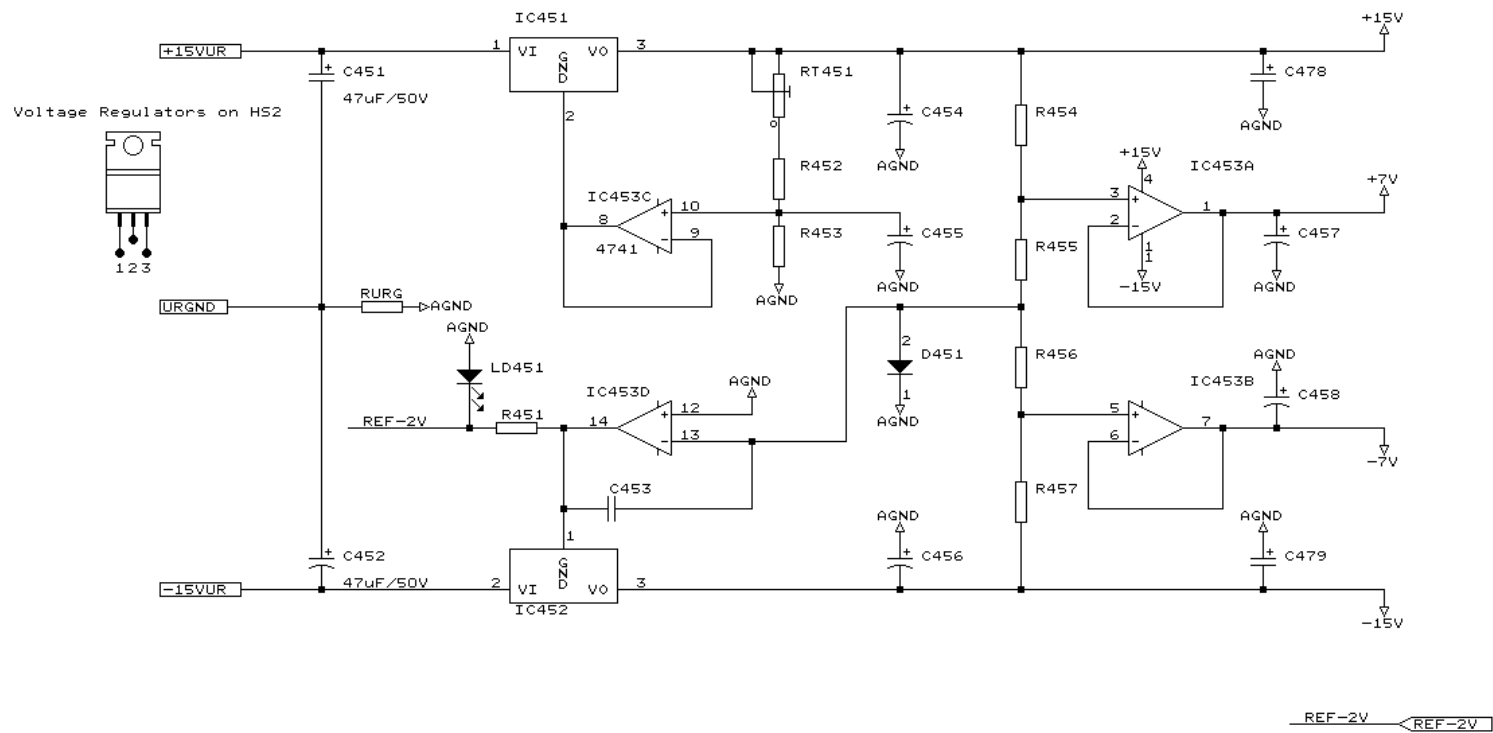
TC ELECTRONIC A/S		
Title TC1128 ANALOG MAIN BOARD		
Size	Document Number	REV
A	PC2801-6.SCH	6.0
Date:	July 21, 1993	Sheet of





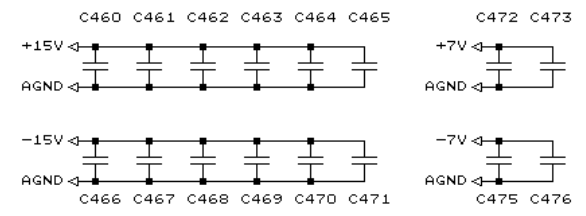
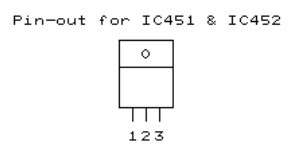
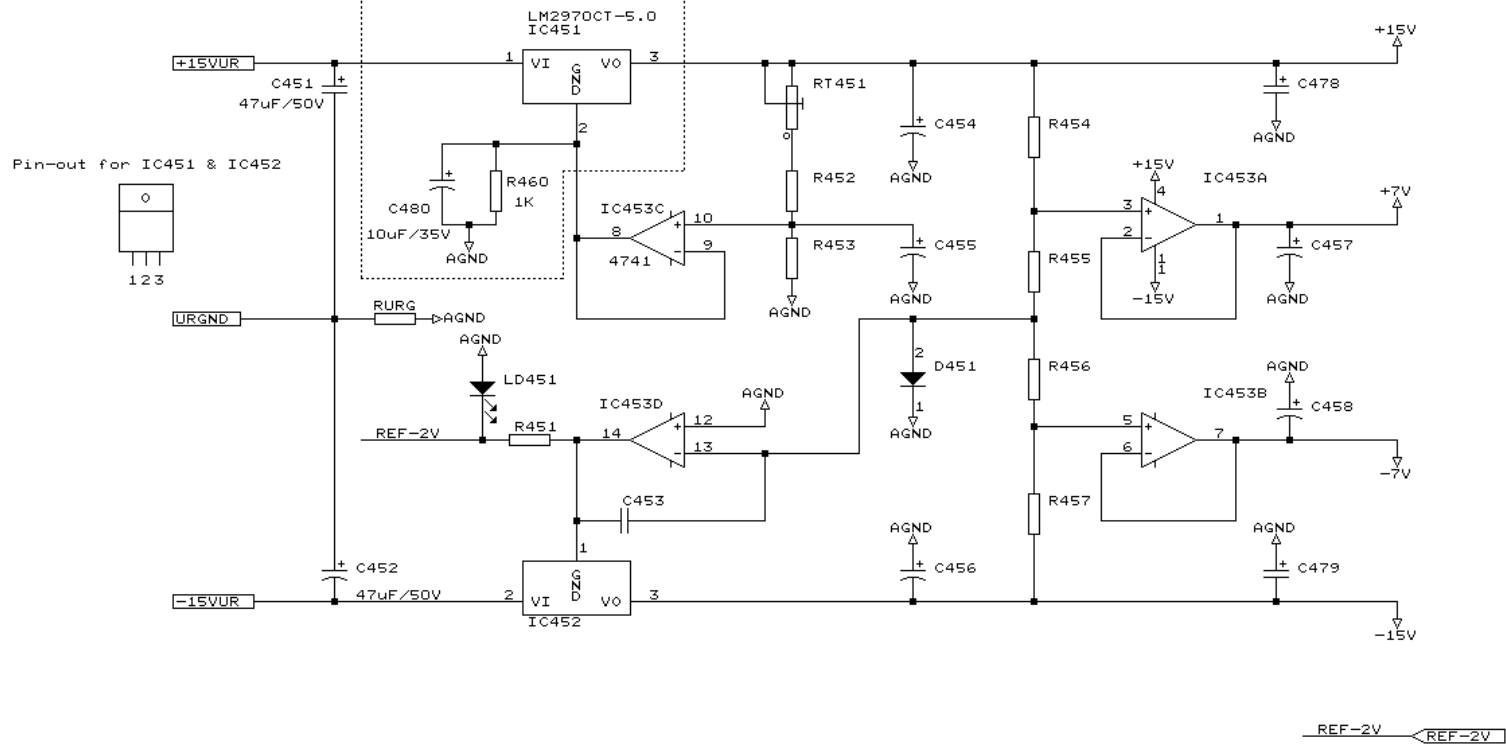
not used
R429

TC ELECTRONIC			
Title	SERIAL INTERFACE SECTION		
Size	Document Number	REV	
B	11285I60.SCH	6.0	
Date:	July 21, 1993	Sheet	11 of 15

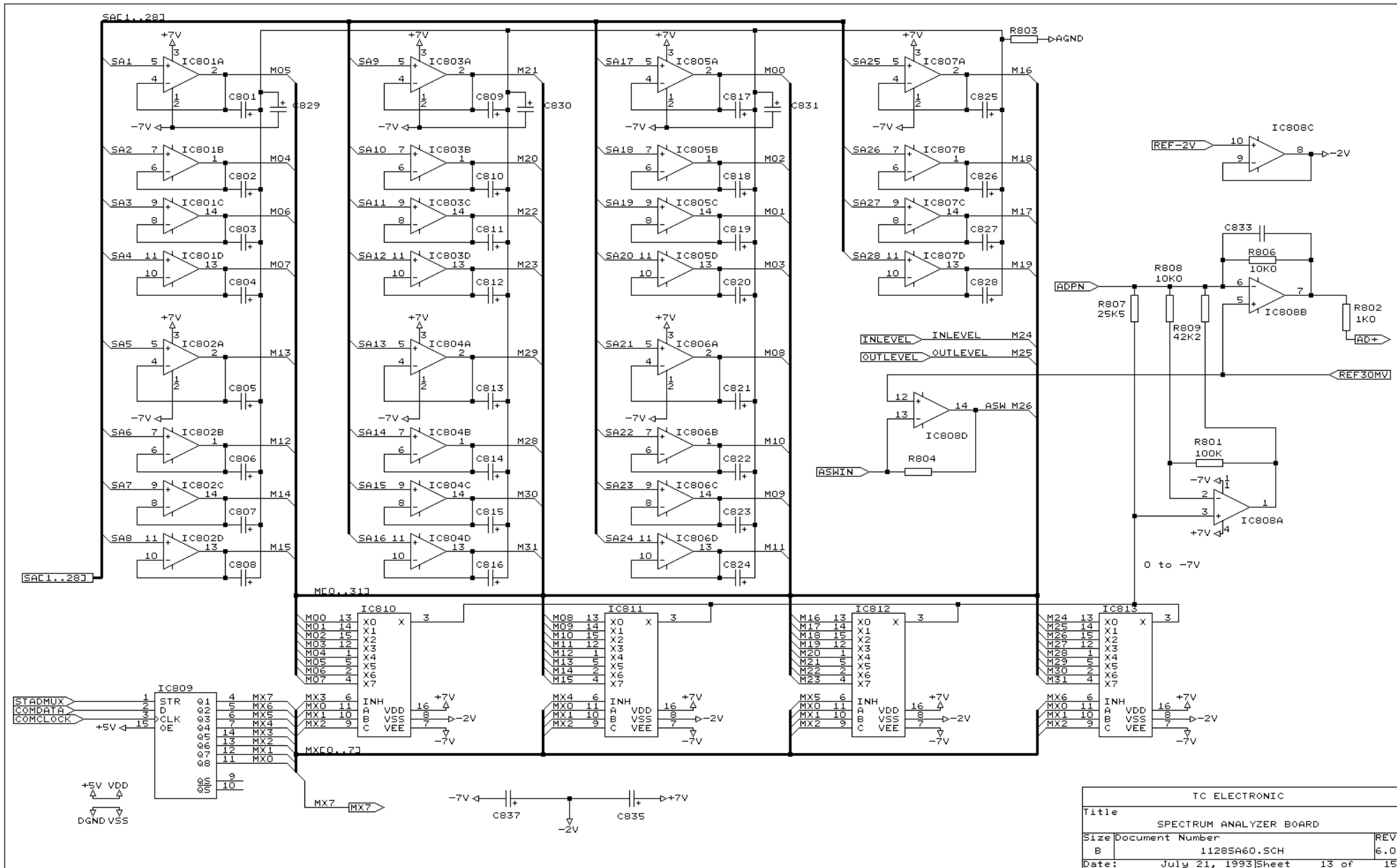


TC ELECTRONIC		
Title ANALOG POWER SUPPLY		
Size B	Document Number 1128AP60.SCH	REV 6.0
Date:	July 21, 1993	Sheet 12 of 15

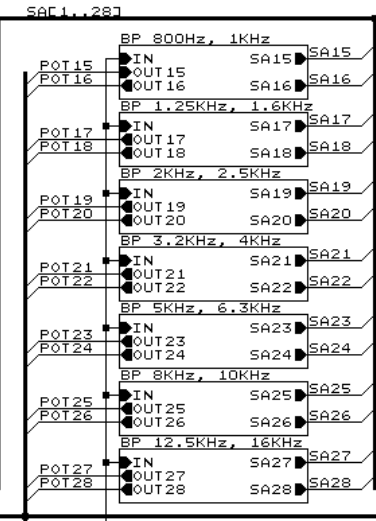
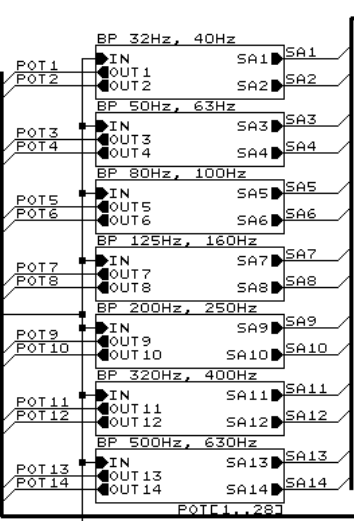
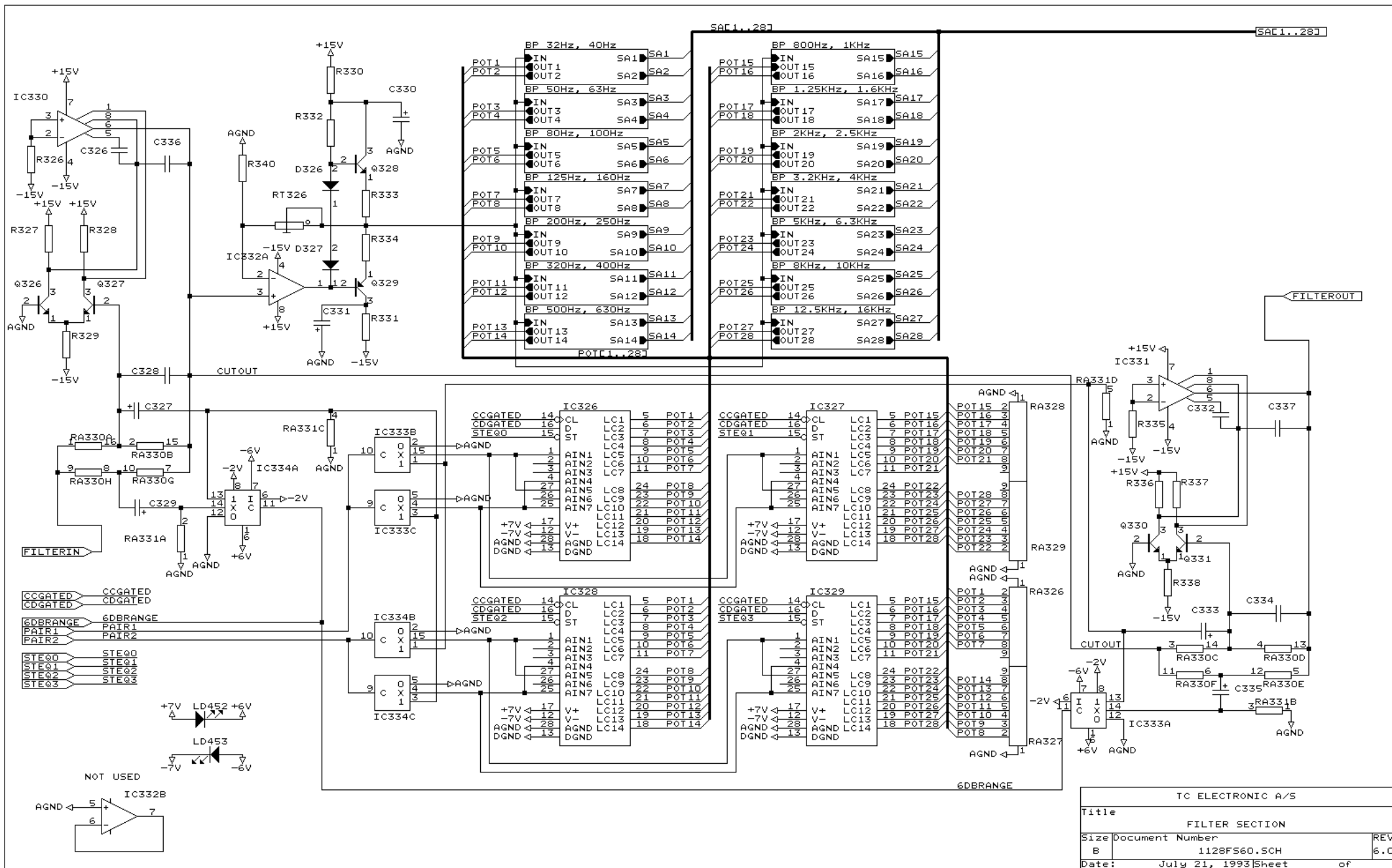
Modification:



TC ELECTRONIC			
Title PC2801-6			
ANALOG POWER SUPPLY W/ MODIFICATION			
Size	Document Number	REV	
B	1128AP65.SCH	6.5	
Date:	May 14, 1997	Sheet	12 of 15

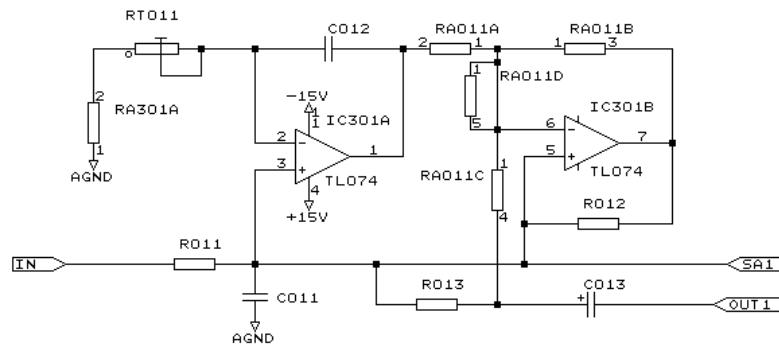


TC ELECTRONIC		
Title SPECTRUM ANALYZER BOARD		
Size	Document Number 11285A60.SCH	REV 6.0
Date:	July 21, 1993	Sheet 13 of 15

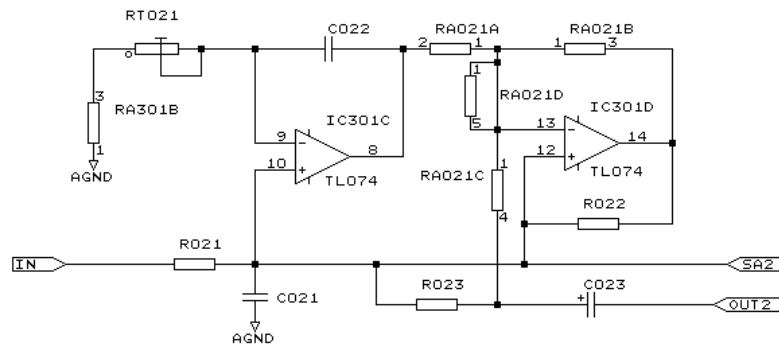


TC ELECTRONIC A/S		
Title FILTER SECTION		
Size B	Document Number 1128FS60.SCH	REV 6.0
Date: July 21, 1993	Sheet	of

32 Hz Bandpass filter

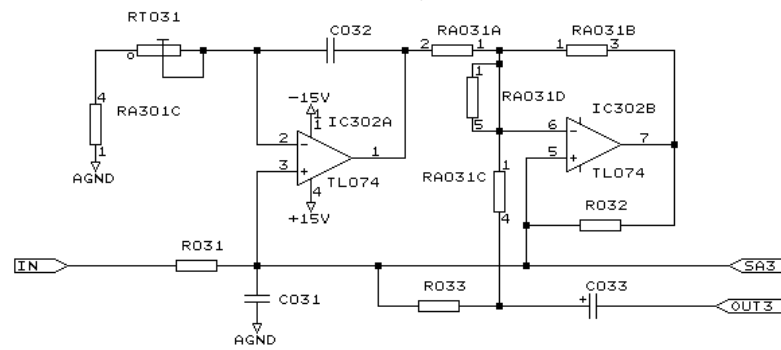


40Hz Bandpass filter

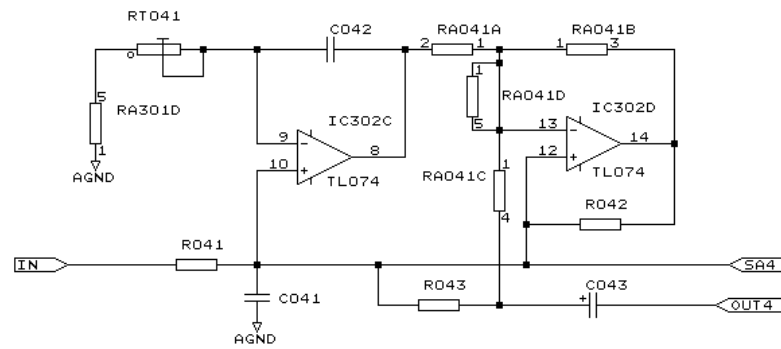


T.C. ELECTRONIC A/S			
Title Filter 32Hz and 40Hz			
Size	Document Number	REV	
A	1128BP60.001	6.0	
Date:	July 21, 1993	Sheet	of

50 Hz Bandpass filter

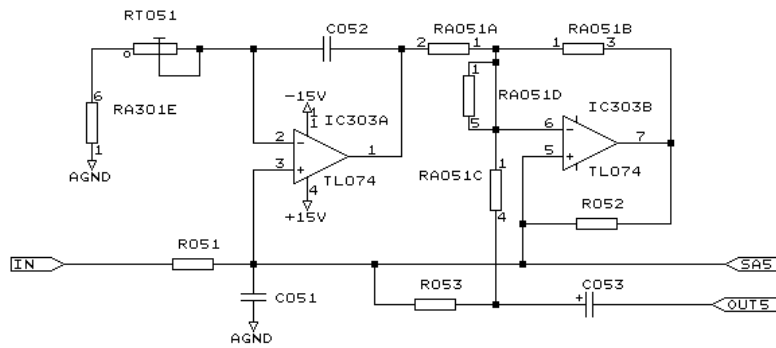


63 Hz Bandpass filter

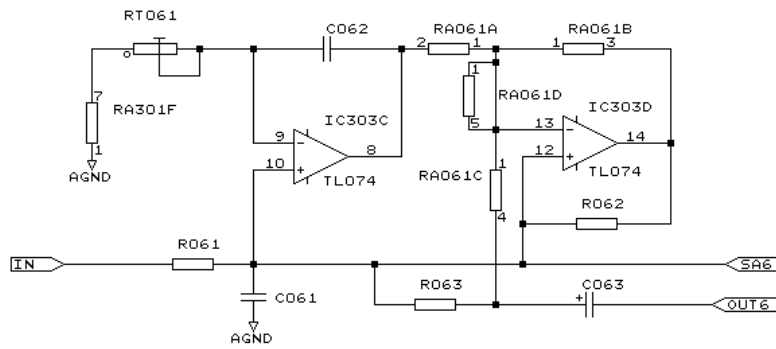


T.C. ELECTRONIC A/S			
Title Filter 50Hz and 63Hz			
Size	Document Number	REV	
A	1128BP60.002	6.0	
Date:	July 21, 1993	Sheet	of

80 Hz Bandpass filter

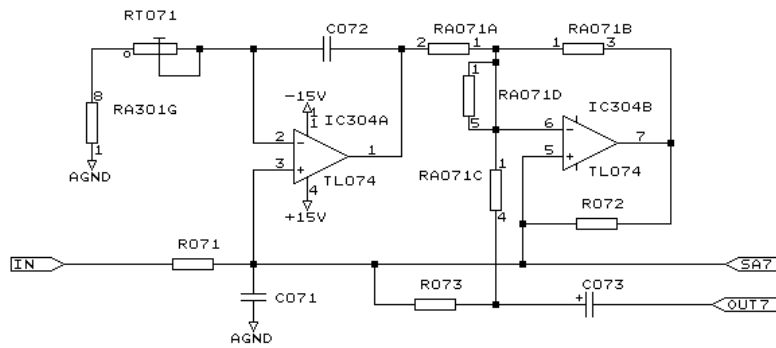


100 Hz Bandpass filter

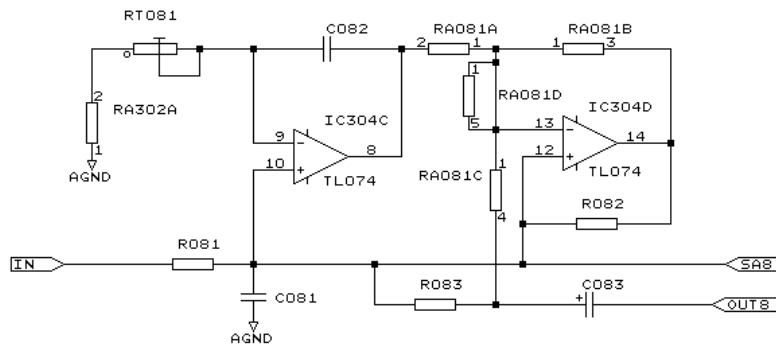


T.C. ELECTRONIC A/S		
Title Filter 80Hz and 100Hz		
Size	Document Number	REV
A	1128BP60.003	6.0
Date:	July 21, 1993	Sheet of

125 Hz Bandpass filter

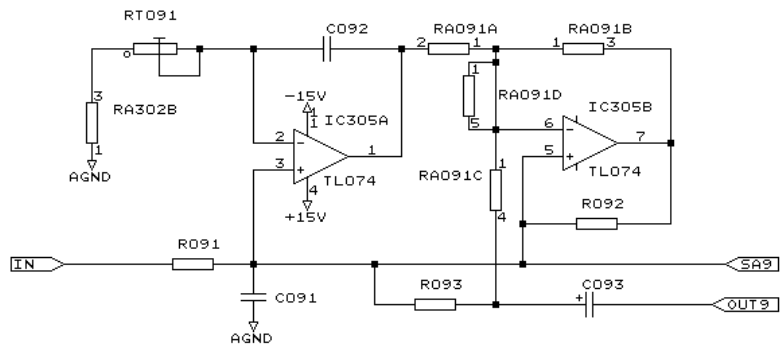


160 Hz Bandpass filter

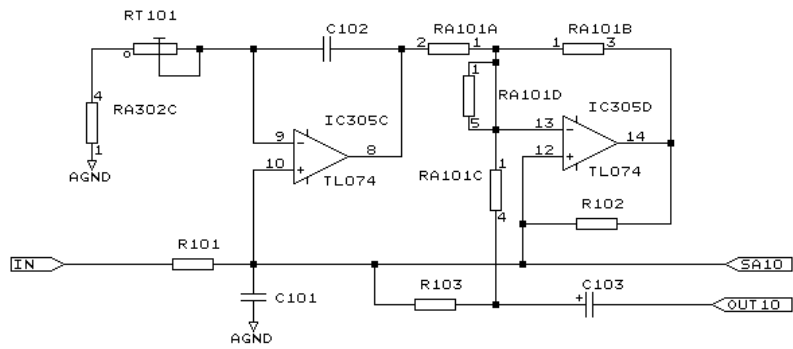


T.C. ELECTRONIC A/S		
Title Filter 125Hz and 160Hz		
Size	Document Number	REV
A	1128BP60.004	6.0
Date:	July 21, 1993	Sheet of

200 Hz Bandpass filter

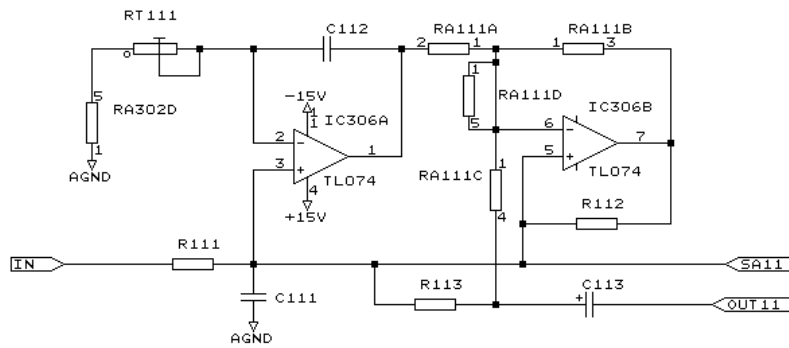


250 Hz Bandpass filter

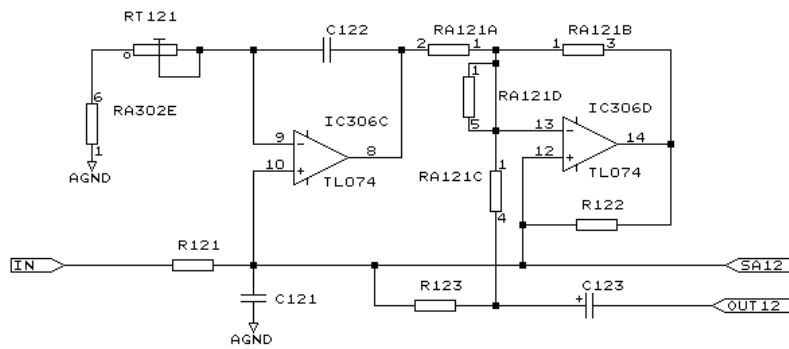


T.C. ELECTRONIC A/S		
Title Filter 200Hz and 250Hz		
Size	Document Number	REV
A	1128BP60.005	6.0
Date:	July 21, 1993	Sheet of

320 Hz Bandpass filter

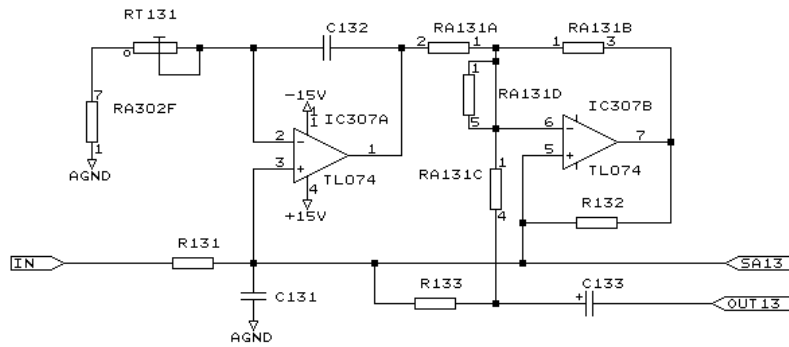


400 Hz Bandpass filter

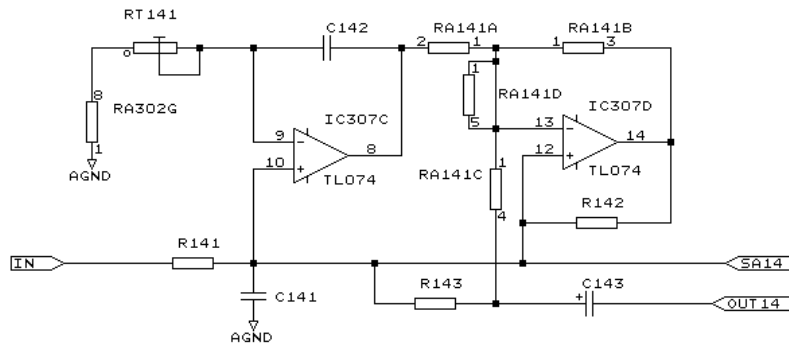


T.C. ELECTRONIC A/S		
Title Filter 320Hz and 400Hz		
Size	Document Number	REV
A	1128BP60.006	6.0
Date:	July 21, 1993	Sheet of

500 Hz Bandpass filter

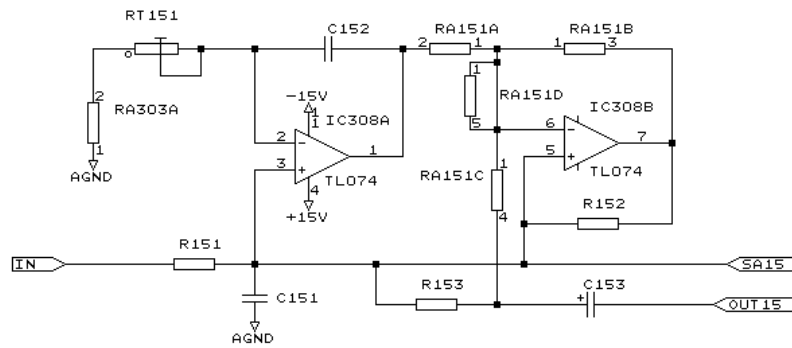


630 Hz Bandpass filter

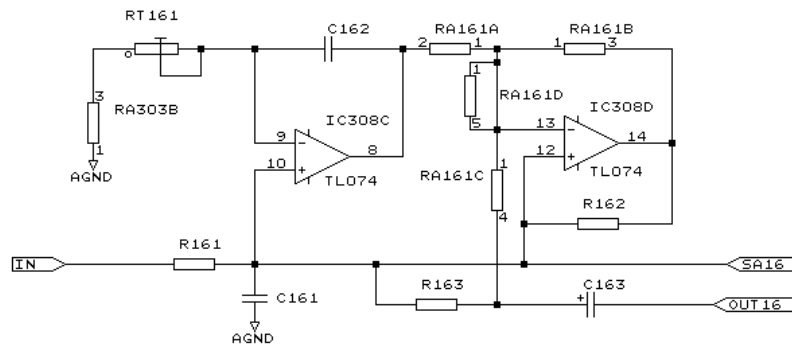


T.C. ELECTRONIC A/S		
Title Filter 500Hz and 630Hz		
Size	Document Number	REV
A	1128BP60.007	6.0
Date:	July 21, 1993	Sheet of

800 Hz Bandpass filter

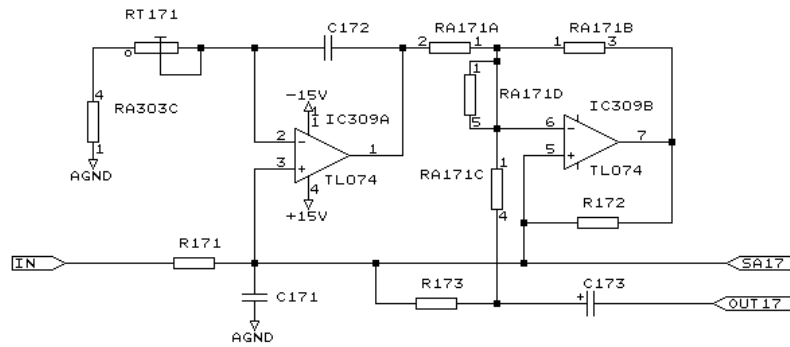


1KHz Bandpass filter

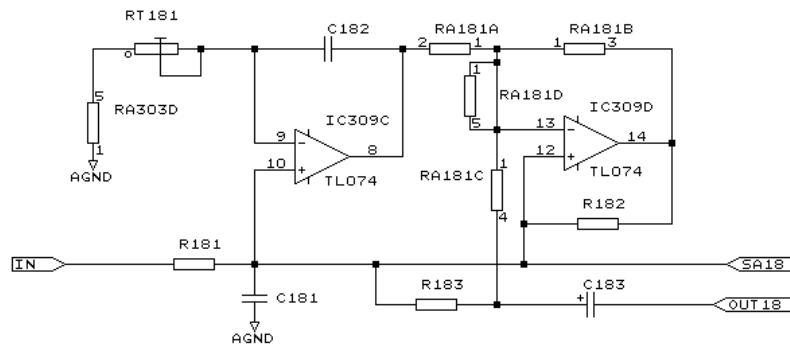


T.C. ELECTRONIC A/S		
Title		
Filter 800Hz and 1KHz		
Size	Document Number	REV
A	1128BP60.008	6.0
Date:	July 21, 1993	Sheet of

1.25 KHz Bandpass filter

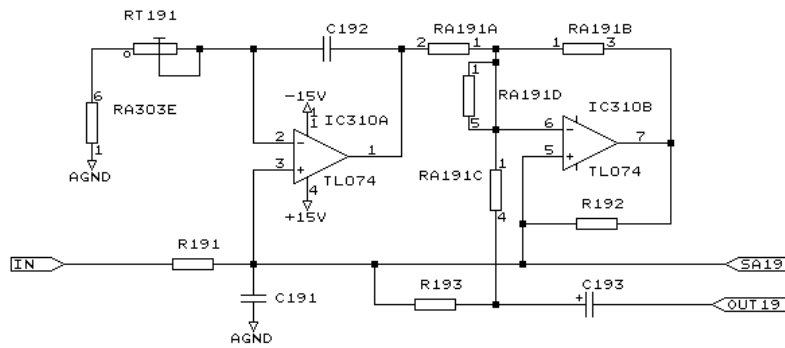


1.6 KHz Bandpass filter

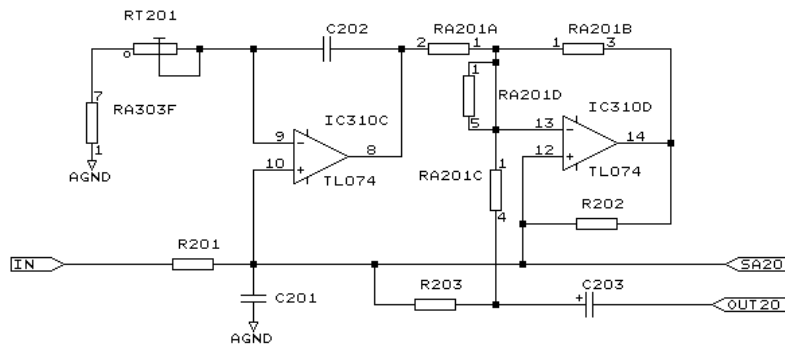


T.C. ELECTRONIC A/S		
Title Filter 1.25KHz and 1.6KHz		
Size	Document Number	REV
A	1128BP60.009	6.0
Date:	July 21, 1993	Sheet of

2 KHz Bandpass filter

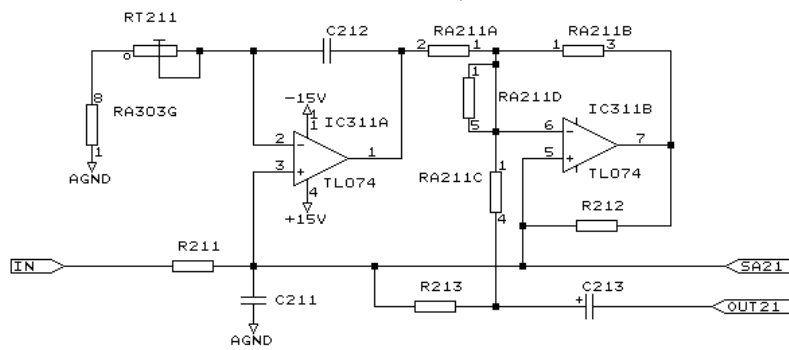


2.5 KHz Bandpass filter

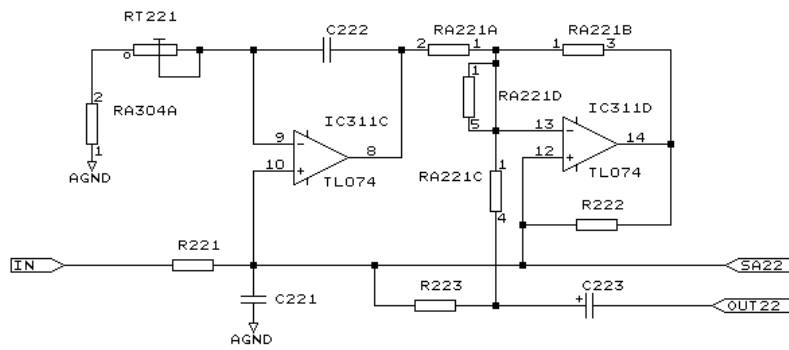


T.C. ELECTRONIC A/S		
Title 2KHz and 2.5KHz		
Size	Document Number	REV
A	1128BP60.010	6.0
Date:	July 21, 1993	Sheet of

3.2 KHz Bandpass filter

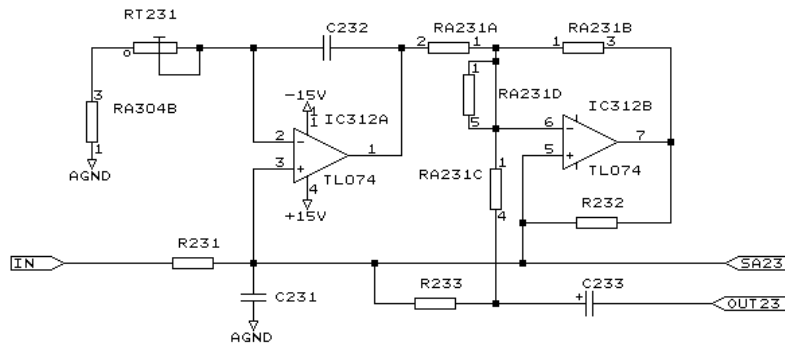


4 KHz Bandpass filter

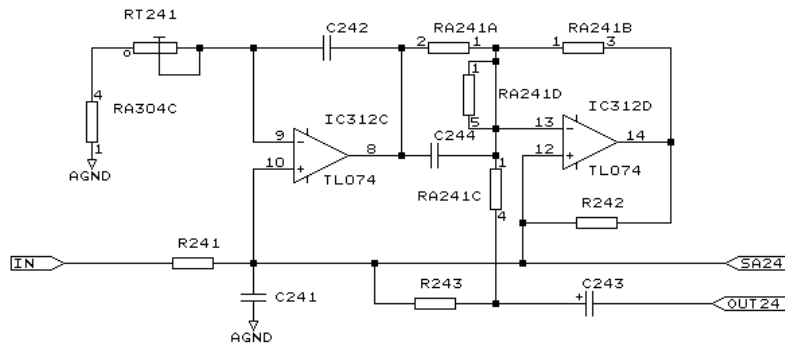


T.C. ELECTRONIC A/S		
Title Filter 3.2KHz and 4KHz		
Size	Document Number	REV
A	1128BP60.011	6.0
Date:	July 21, 1993	Sheet of

5 KHz Bandpass filter

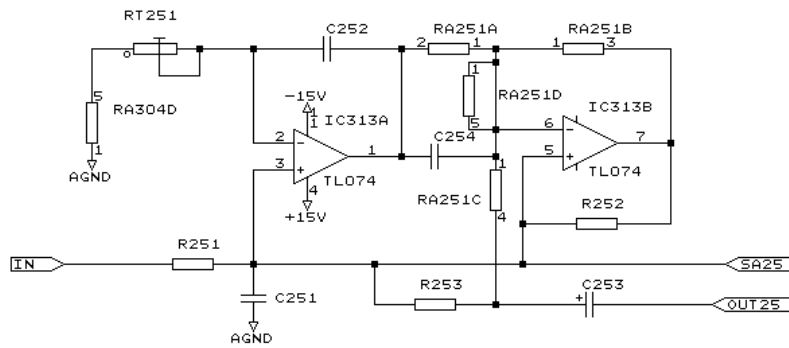


6.3 KHz Bandpass filter

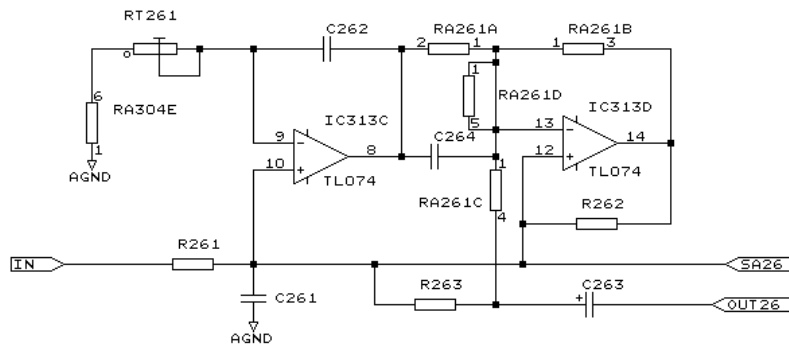


T.C. ELECTRONIC A/S		
Title Filter 5KHz and 6.3KHz		
Size	Document Number	REV
A	1128BP60.012	6.0
Date:	July 21, 1993	Sheet of

8 KHz Bandpass filter

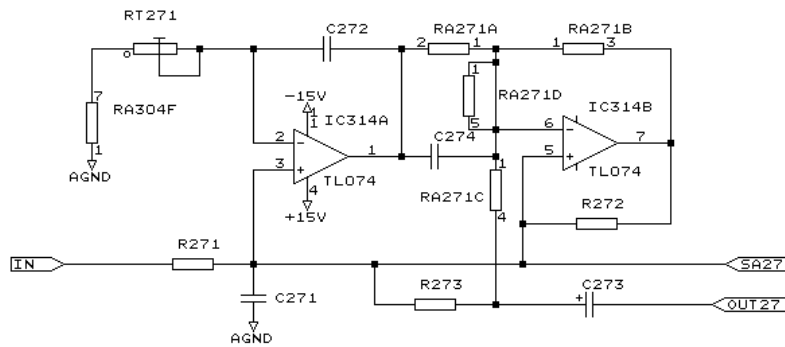


10 KHz Bandpass filter

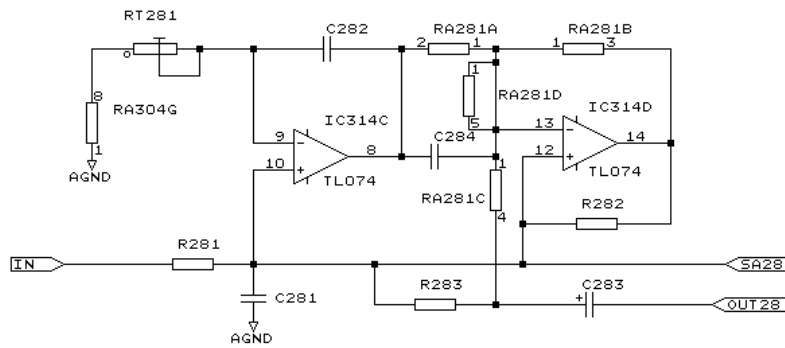


T.C. ELECTRONIC A/S		
Title Filter 8KHz and 10KHz		
Size	Document Number	REV
A	1128BP60.013	6.0
Date:	July 21, 1993	Sheet of

12.5 KHz Bandpass filter



16 KHz Bandpass filter



T.C. ELECTRONIC A/S		
Title Filter 12.5KHz and 16KHz		
Size	Document Number	REV
A	1128BP60.014	6.0
Date:	July 21, 1993	Sheet of