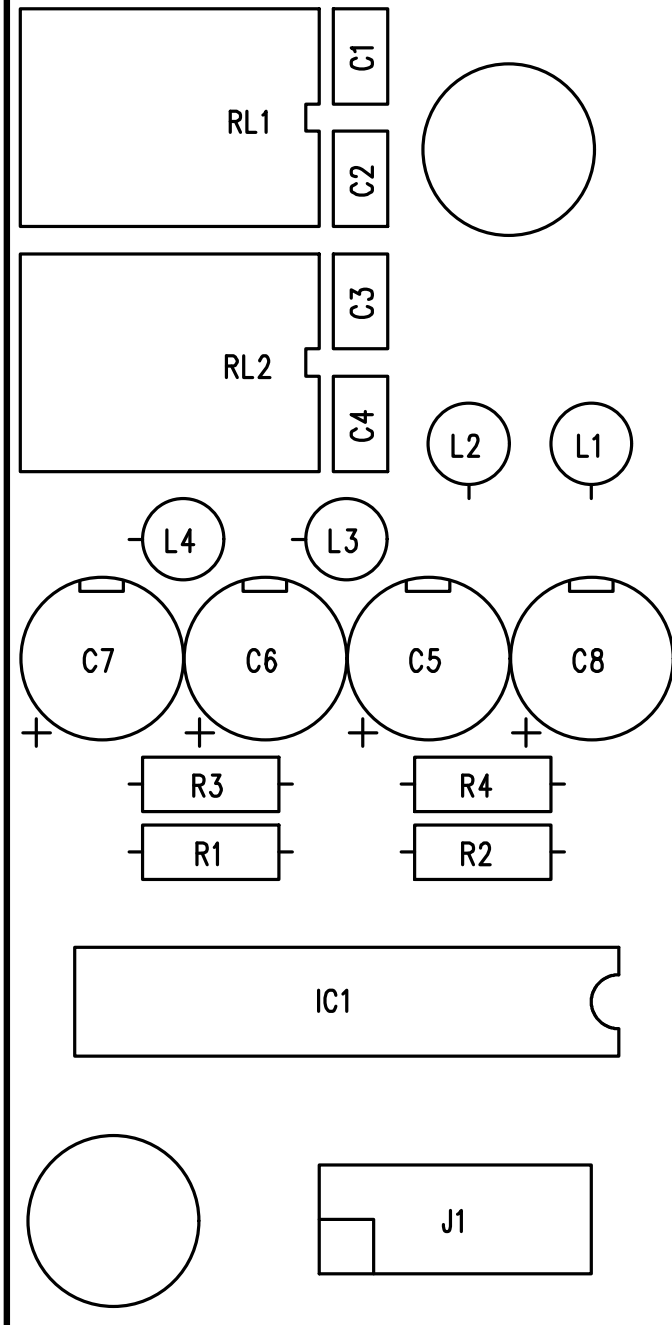
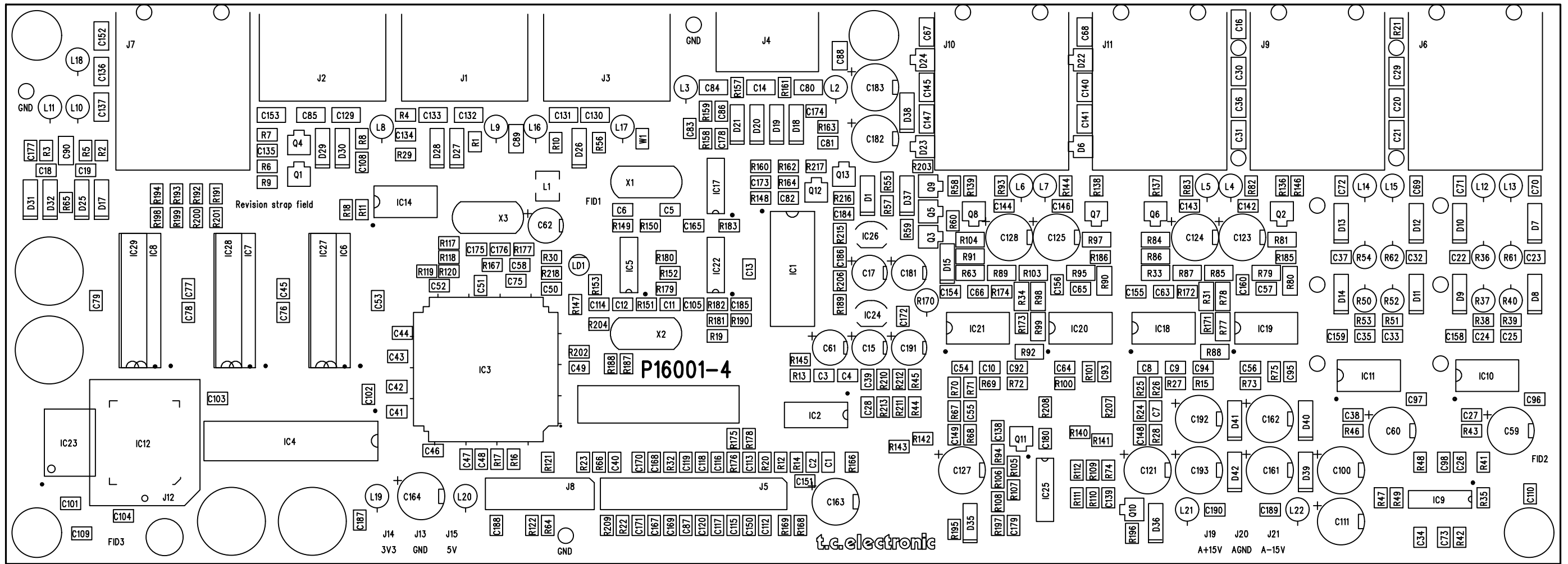
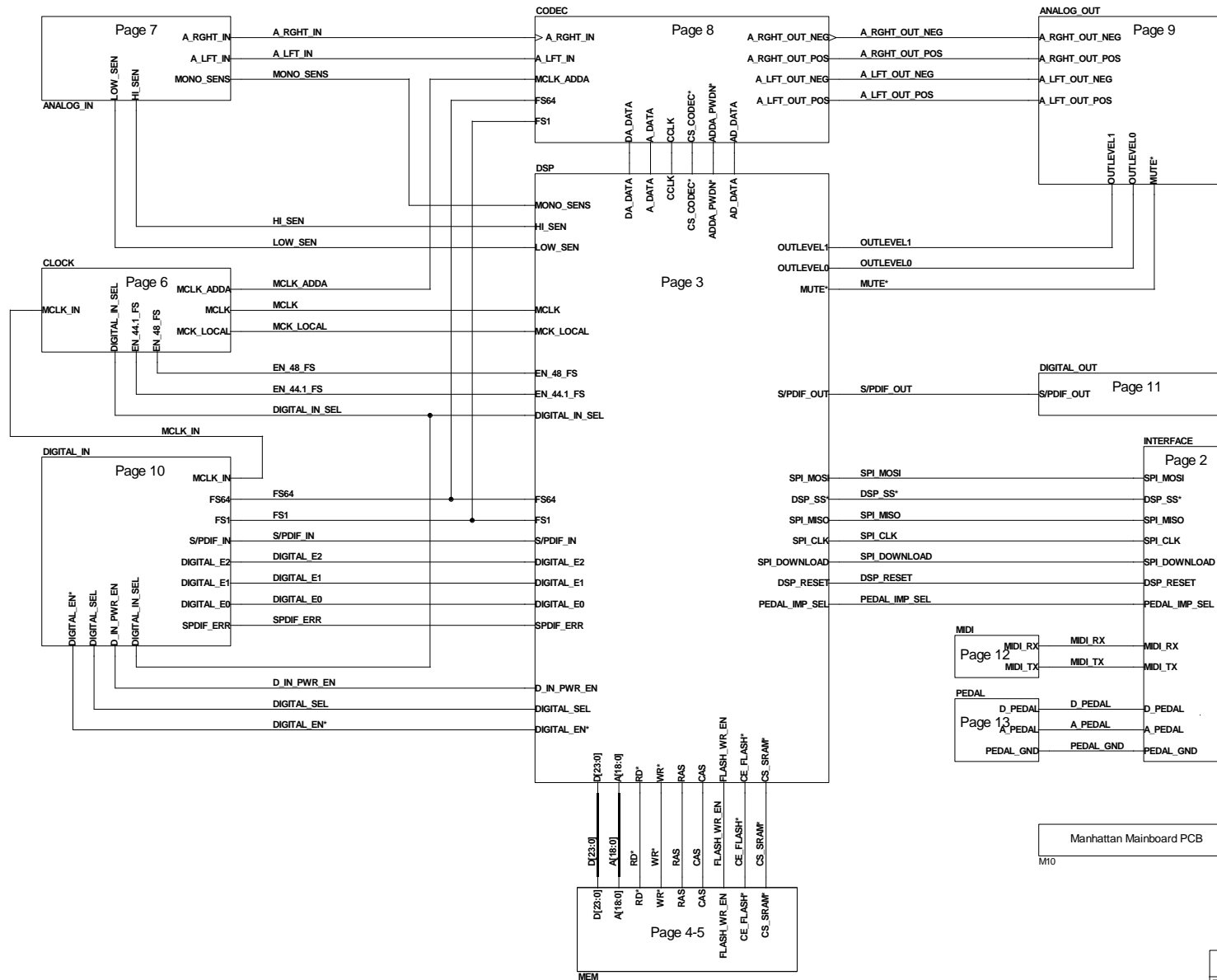


t.g.electronic
P16020-2

J2



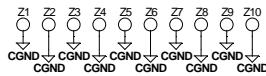
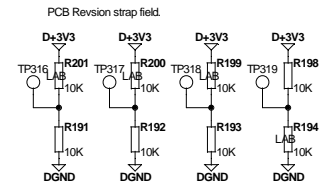
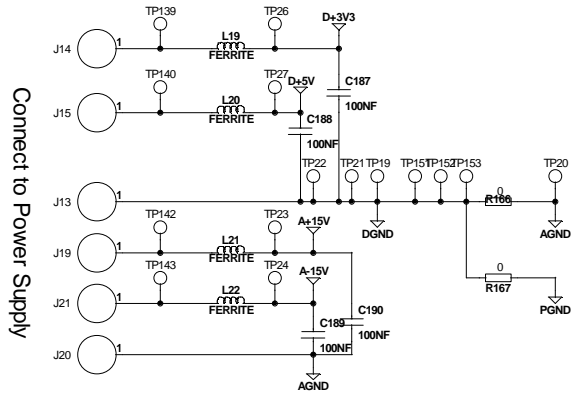
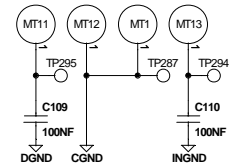
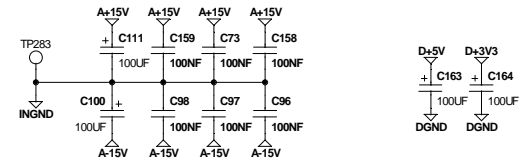
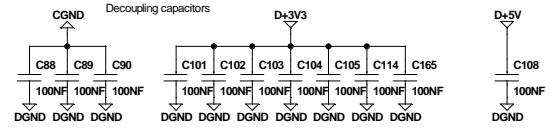
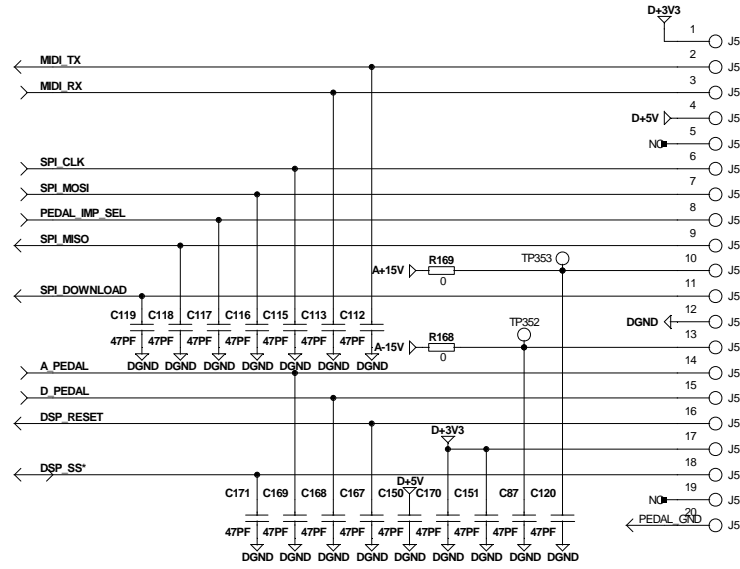




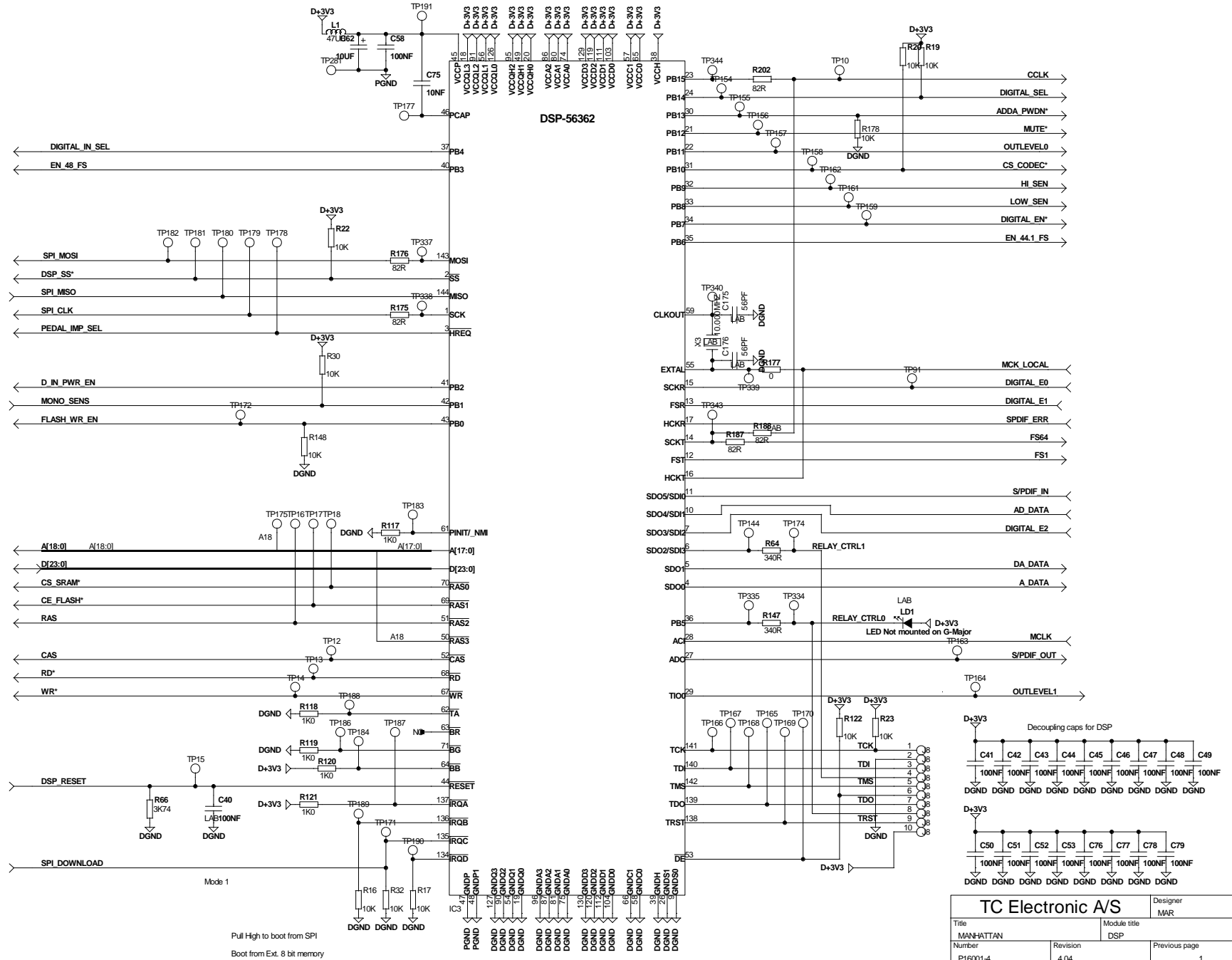
Manhattan Mainboard PCB
M10

TC Electronic A/S		Designer MAR
Title MANHATTAN		Module title BLOCK LEVEL SCHEMATIC
Number P16001-4	Revision 4.04	Previous page XX
Date 5-22-2000 15:33	Filename MAINBOARD	Page / of 1 / 13

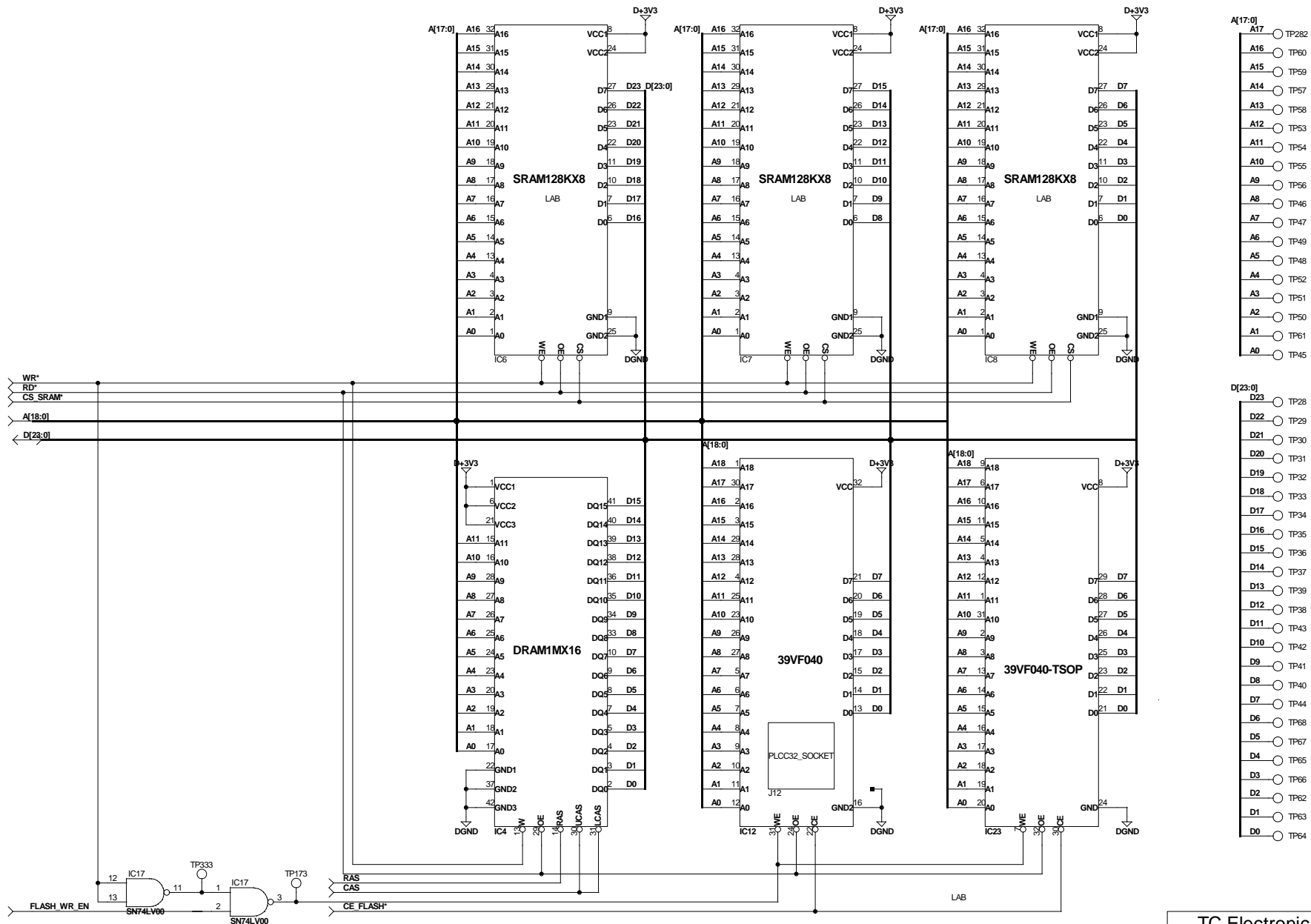
Connect to Front



TC Electronic A/S		Designer MAR
Title MANHATTAN		Module title INTERFACE TO FRONT AND POWER
Number P16001-4	Revision 4.04	Previous page 1
Date 5-22-2000 15:19	Filename INTERFACE	Page / of 2 / 13

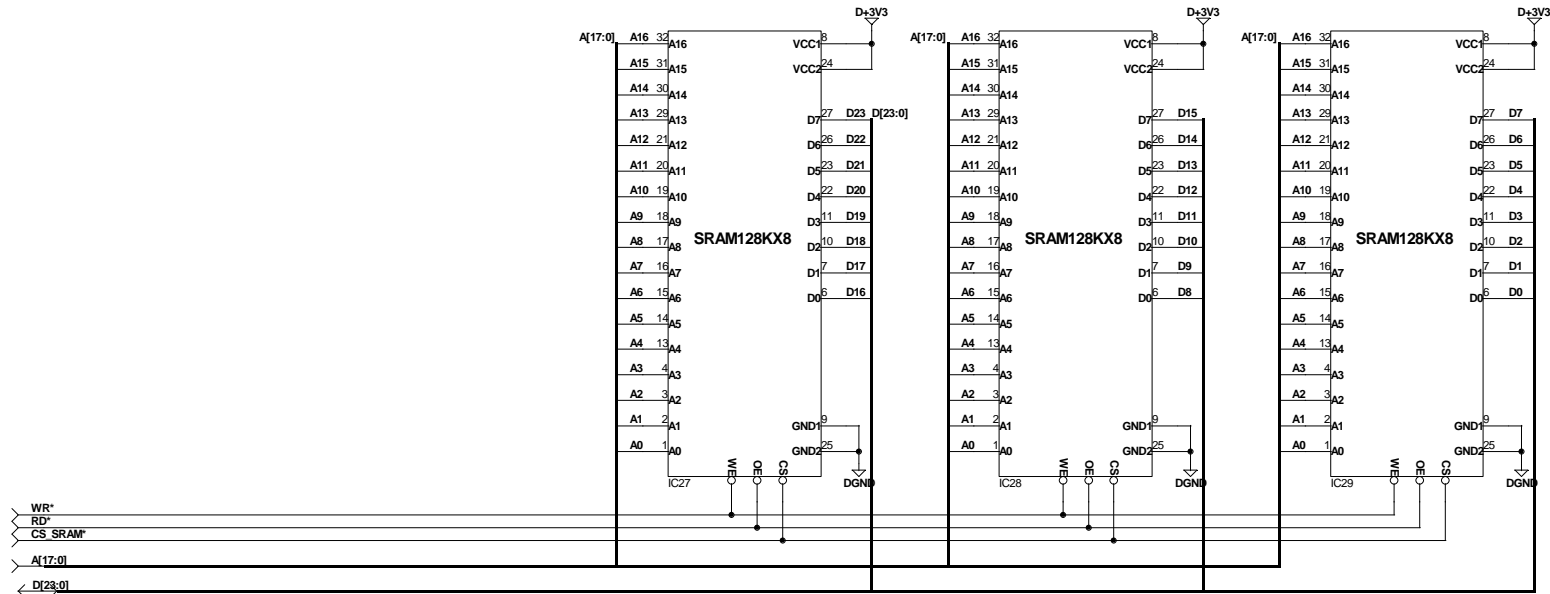


TC Electronic A/S		Designer
Title	MANHATTAN	MAR
Number	P16001-4	Previous page
Date	5-5-2000, 11:07	Page / of
Revision	4.04	1
Filename	DSP	3 / 13

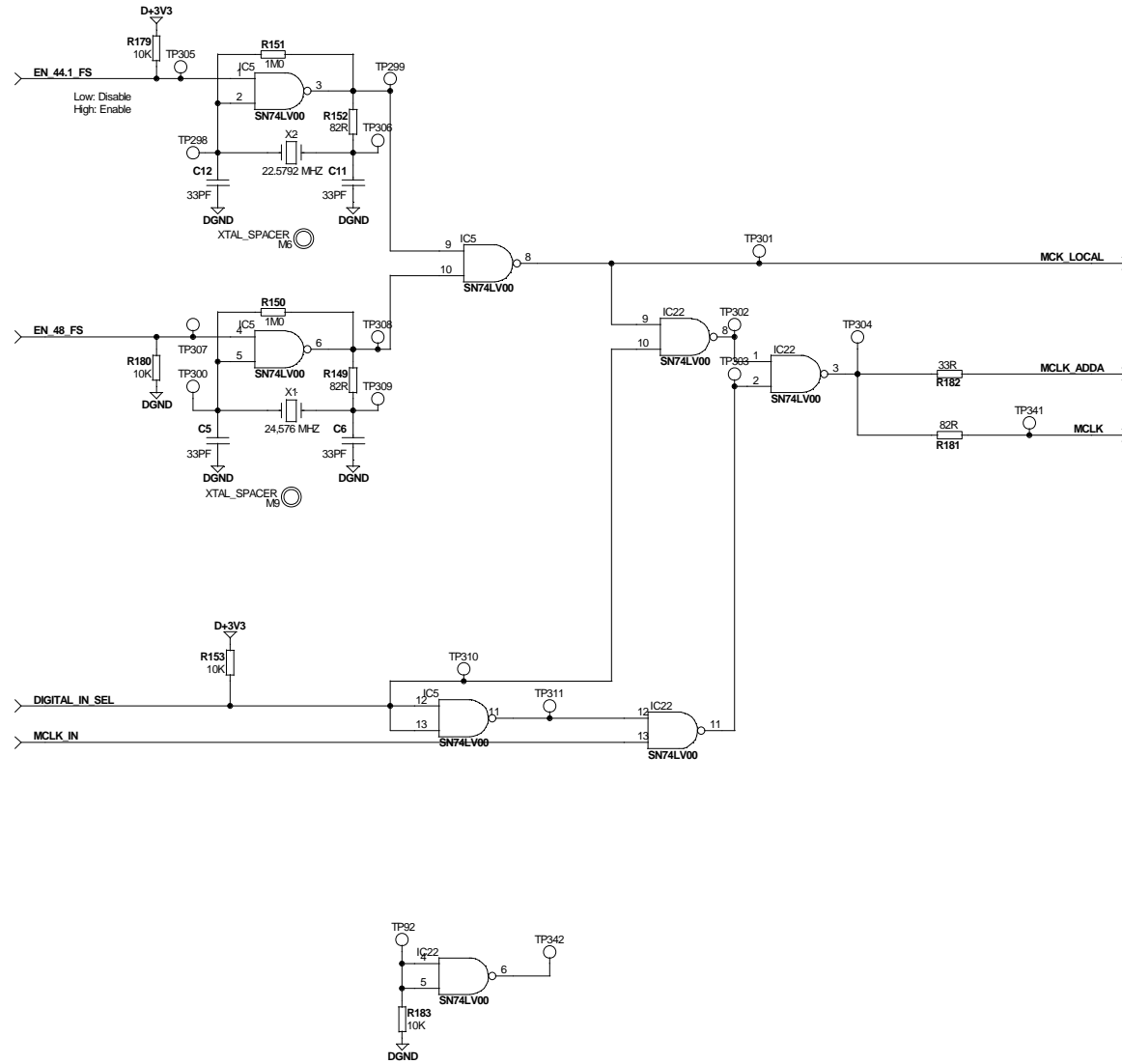


Note: Only one of the Flash types are mounted

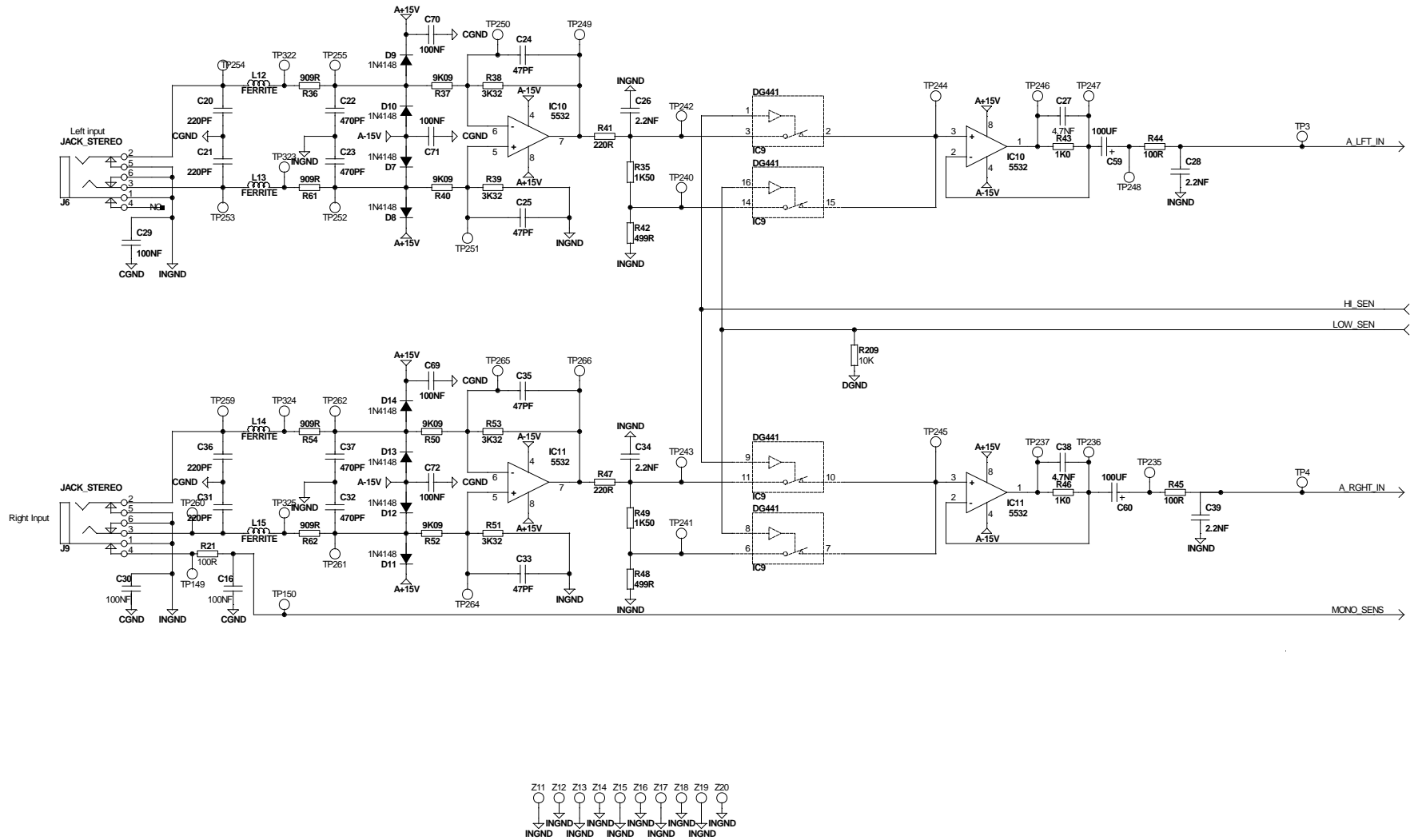
TC Electronic A/S		Designer
Title	MANHATTAN	MAR
Number	P16001-4	Module title
Date	6-23-2000 10:04	MEMORY
Revision	4.04	Previous page
Filename	MEM	1
		Page / of
		4 / 13



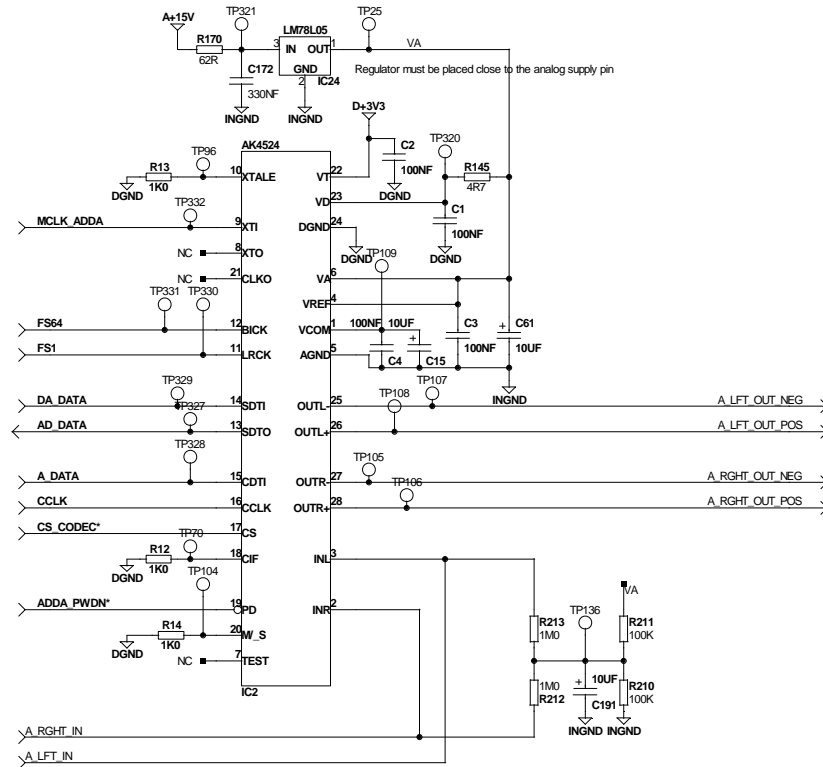
TC Electronic A/S		Designer MAR
Title MANHATTAN		Module title MEMORY - ALT PACKAGE
Number P16001-4	Revision 4.04	Previous page 1
Date 7-25-2000 8:32	Filename MEM	Page / of 5 / 13



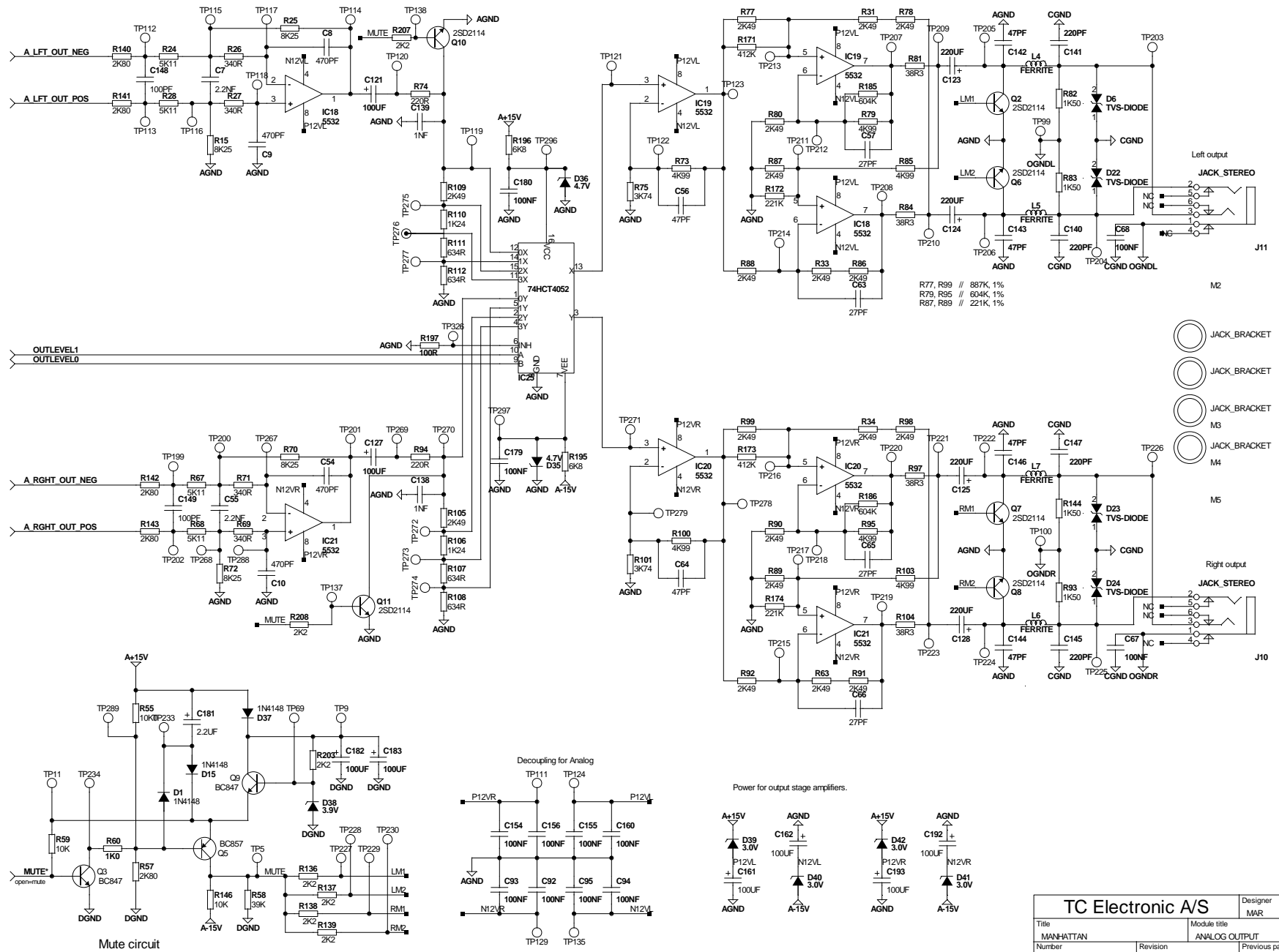
TC Electronic A/S		Designer
Title	MANHATTAN	MAR
Module title	CLOCK	
Number	P16001-4	Previous page
Date	5-5-2000, 11:35	1
Revision	4.04	Page / of
Filename	CLOCK	6 / 13



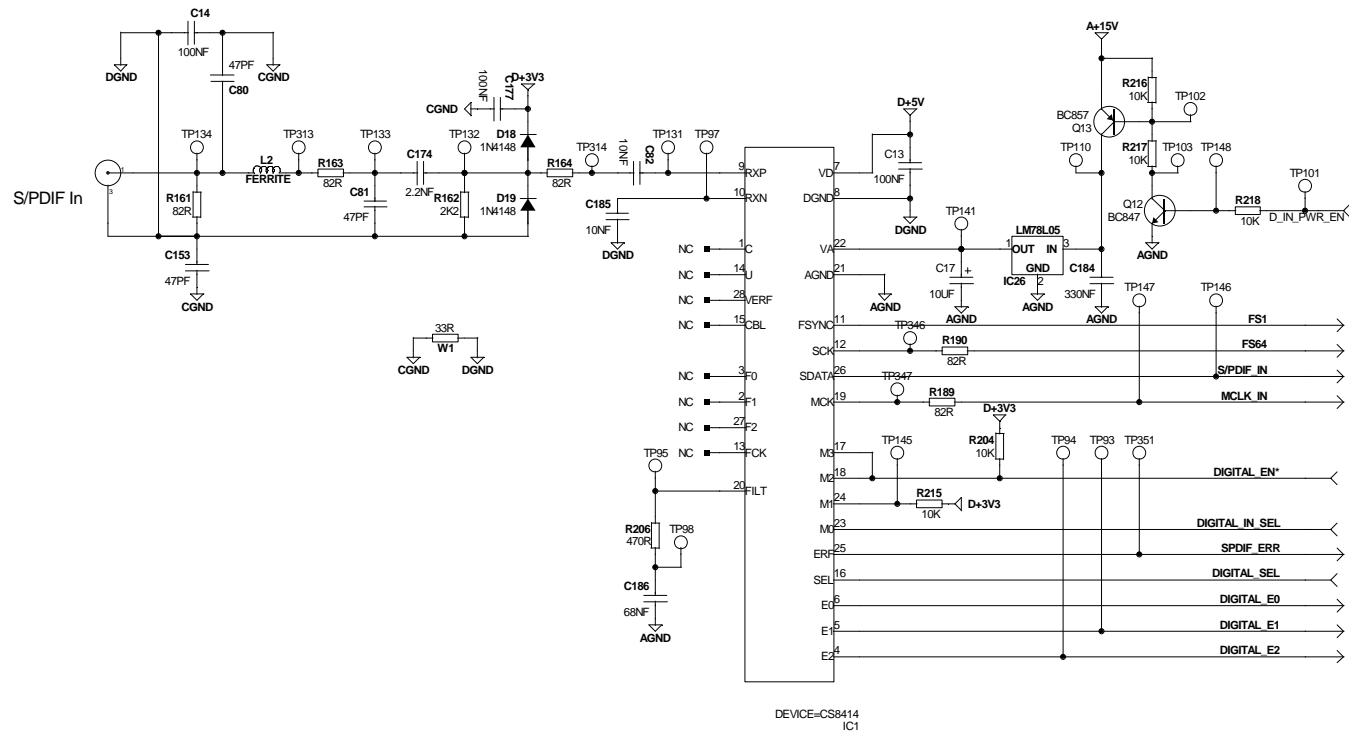
TC Electronic A/S		Designer
Title	MANHATTAN	MAR
Module title	ANALOG INPUT	
Number	P16001-4	Revision
Date	7-25-2000 8:33	4.04
Filename	ANALOG_IN	Previous page
		1
		Page / of
		7 / 13



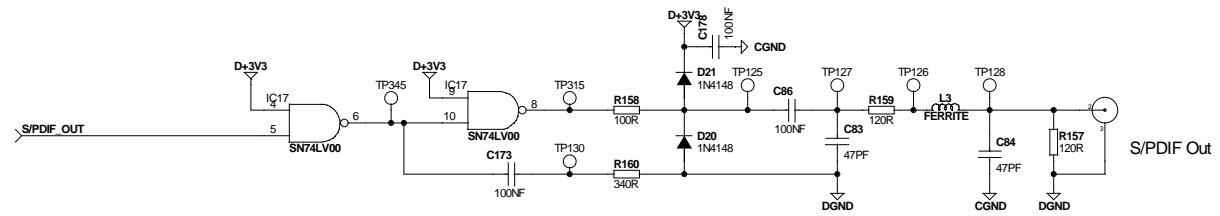
TC Electronic A/S		Designer
Title	MANHATTAN	MAR
Module title	CODEC	
Number	Revision	Previous page
P16001-4	4.04	1
Date	Filename	Page / of
9-15-1999 15:57	CODEC	8 / 13



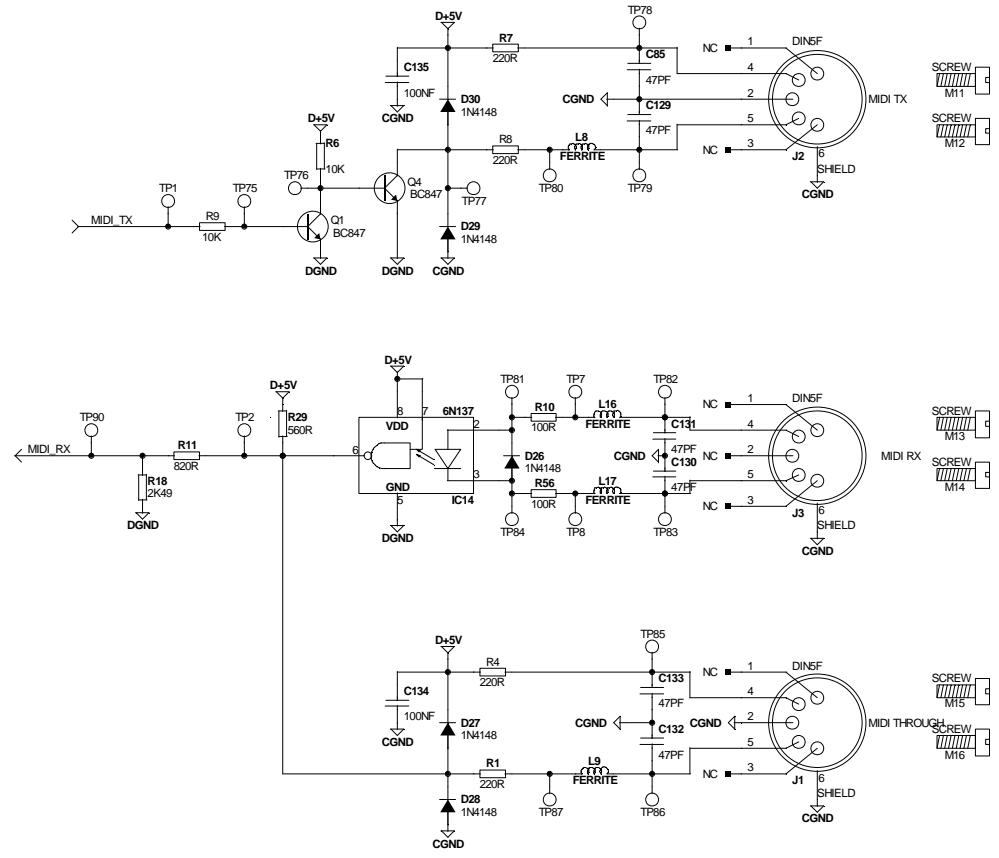
TC Electronic A/S		Designer MAR
Title MANHATTAN	Module title ANALOG OUTPUT	
Number P16001-4	Revision 4.04	Previous page 1
Date 5-5-2000, 11:34	Filename ANALOG_OUT	Page / of 9 / 13



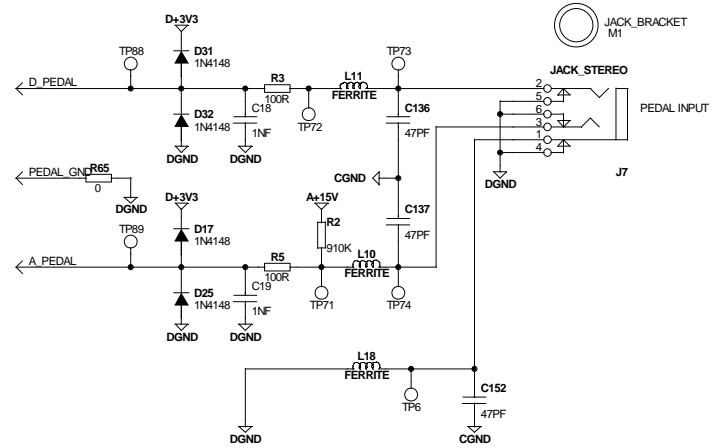
TC Electronic A/S		Designer
Title	MANHATTAN	MAR
Module title	DIGITAL INPUT	
Number	Revision	Previous page
P16001-4	4.04	1
Date	Filename	Page / of
12-8-2000 9:22	DIGITAL_IN	10 / 13



TC Electronic A/S		Designer MAR
Title MANHATTAN		Module title DIGITAL_OUTPUT
Number P16001-4	Revision 4.04	Previous page 1
Date 9-16-1999 10:15	Filename DIGITAL_OUT	Page / of 11 / 13



TC Electronic A/S		Designer MAR
Title MANHATTAN		Module title MIDI INTERFACE
Number P16001-4	Revision 4.04	Previous page 1
Date 5-5-2000, 11:26	Filename MIDI	Page / of 12 / 13



TC Electronic A/S		Designer MAR
Title MANHATTAN		Module title PEDAL INTERFACE
Number P16001-4	Revision 4.04	Previous page 1
Date 8-17-2000 15:32	Filename PEDAL	Page / of 13 / 13