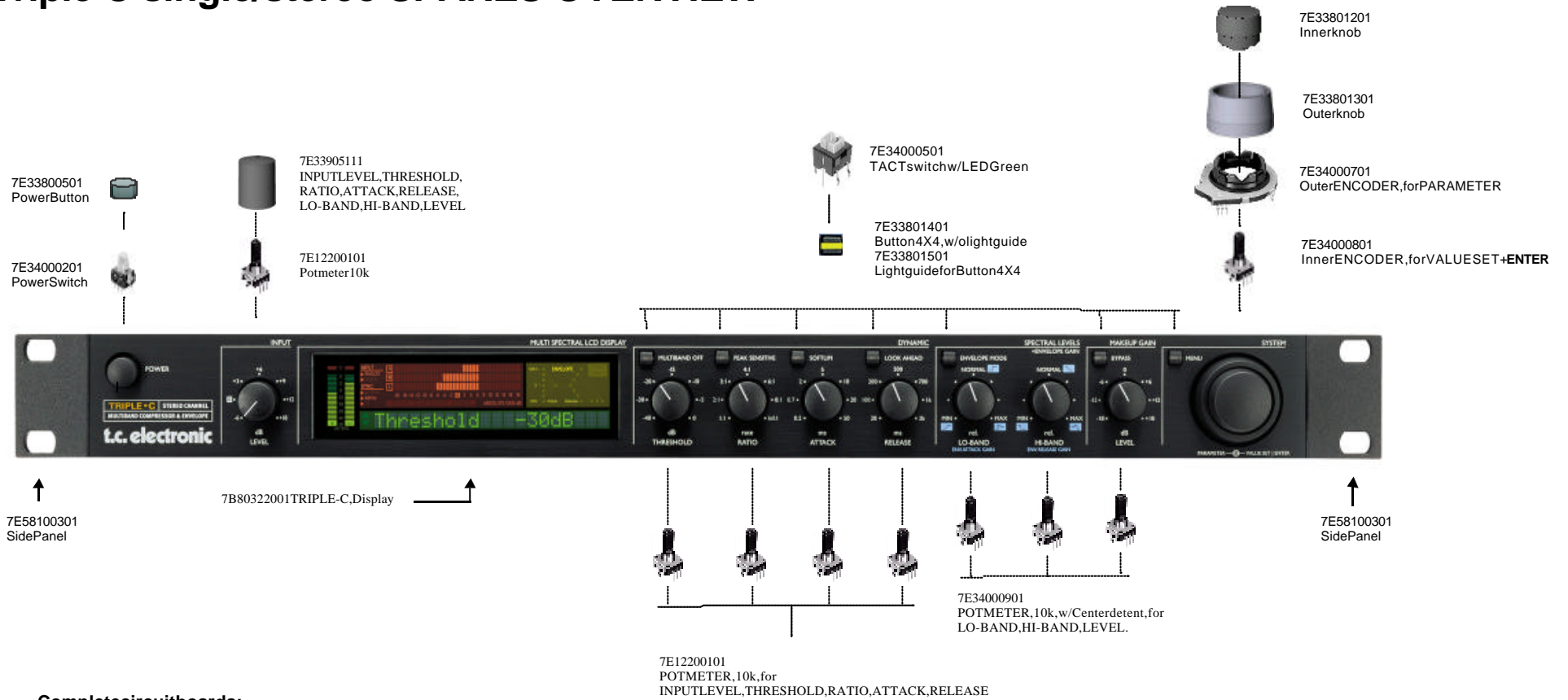
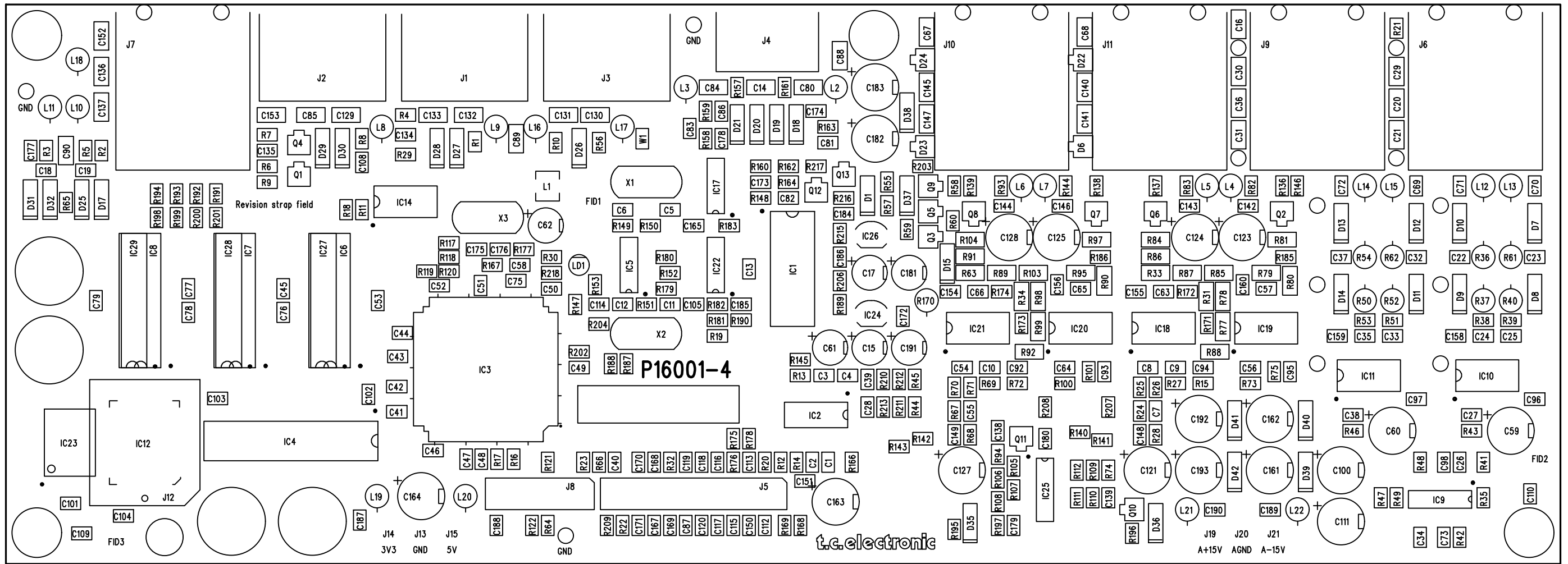


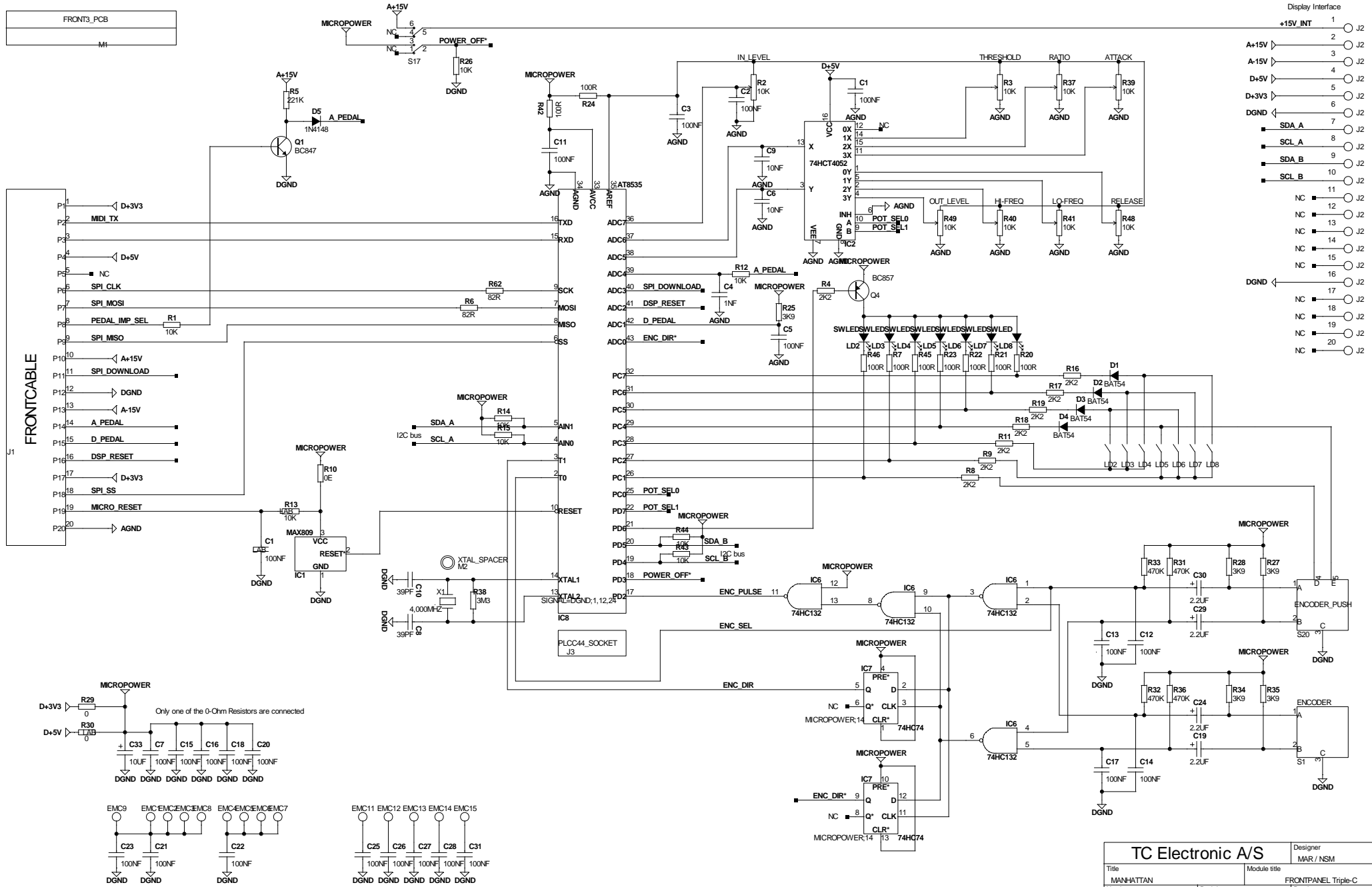
# Triple C single/stereo SPARES OVERVIEW

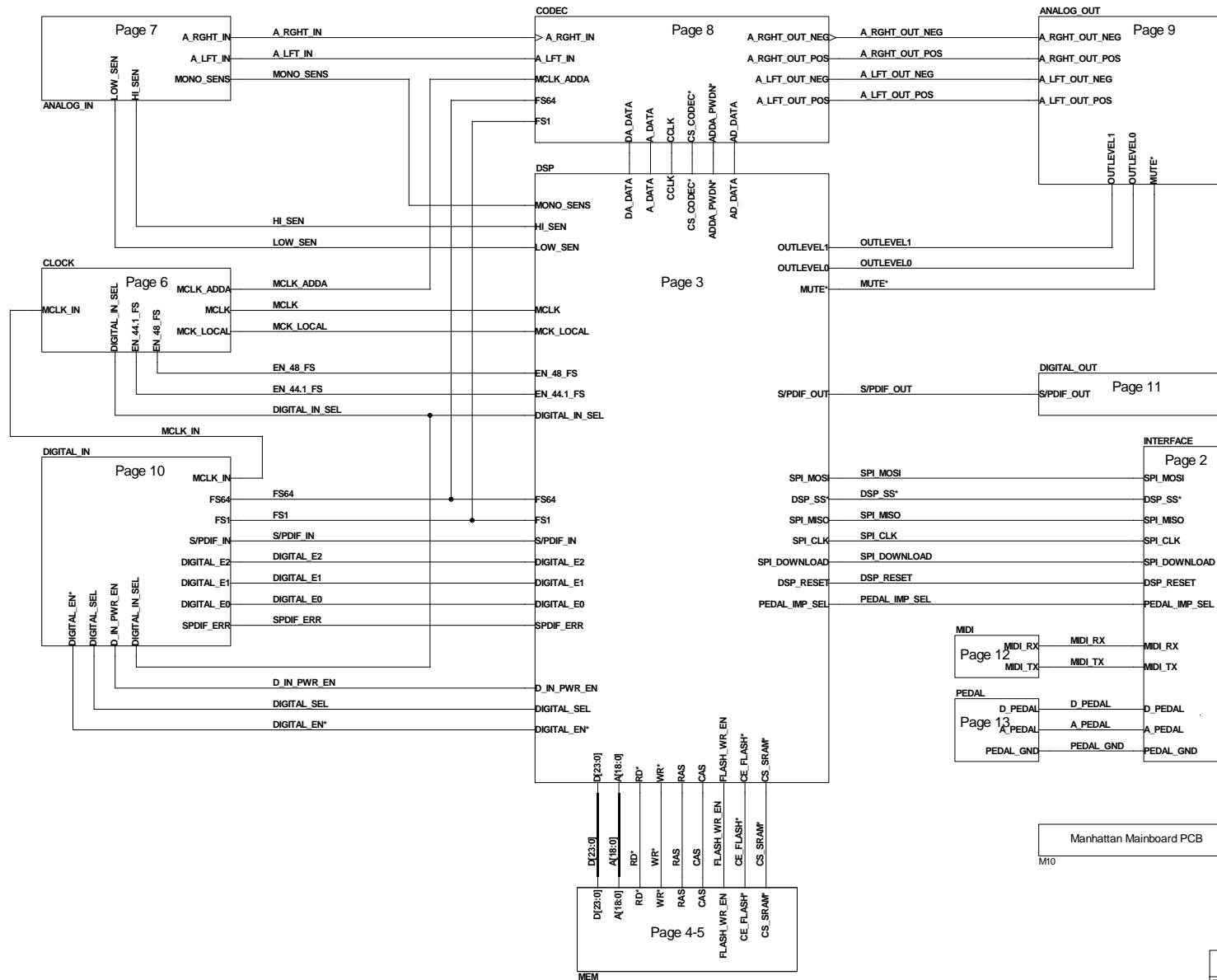


## Completecircuitboards:

- 7E50000101-ManhattanPowerSupplyUnit
- 722010311-Triple-CSTEREO, Completemainboard
- 7B80321002-TRIPLE-CSTEREO, FrontPCBw/display



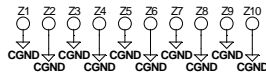
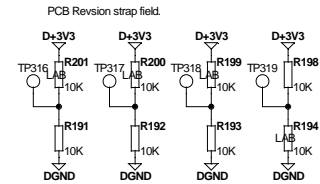
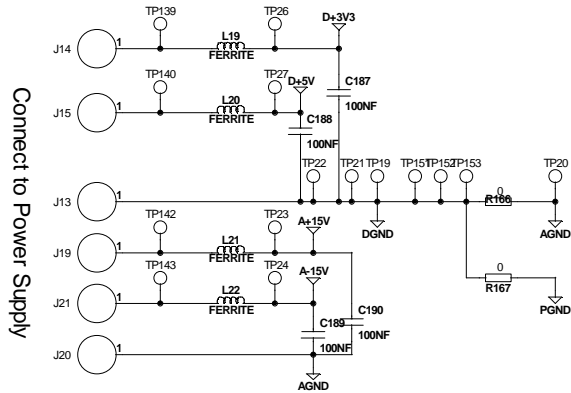
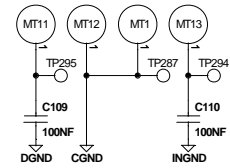
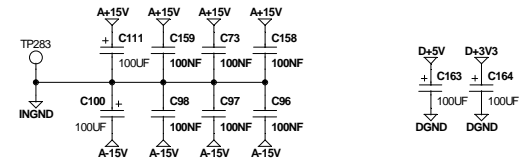
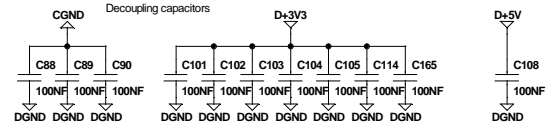
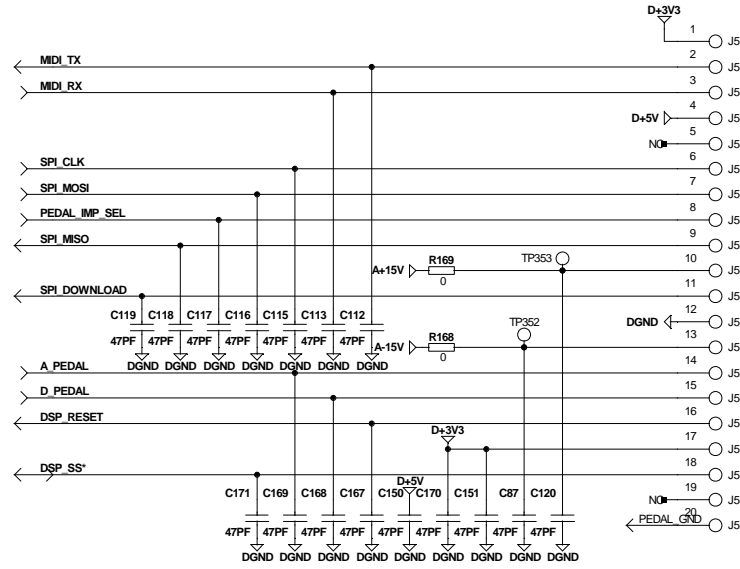




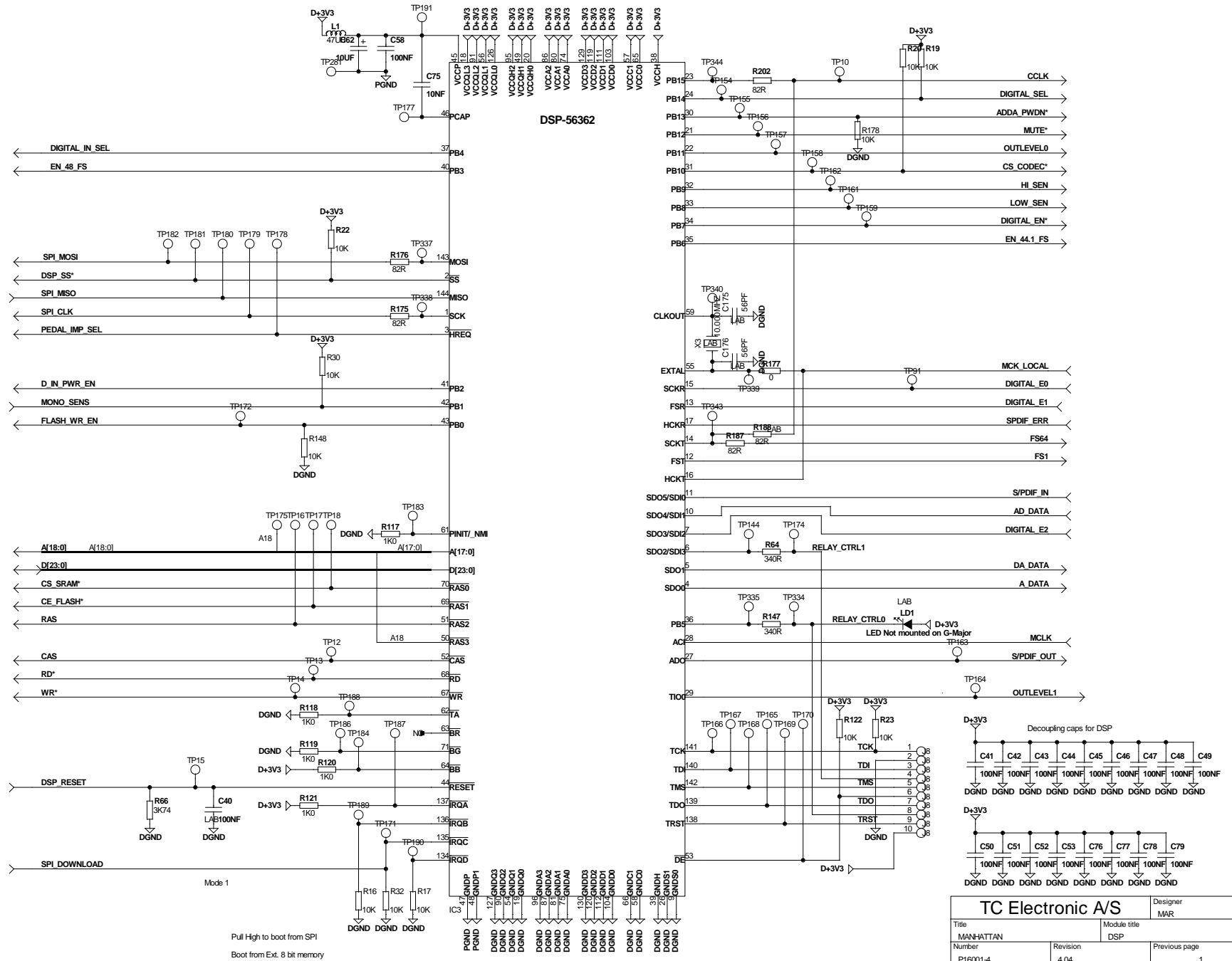
Manhattan Mainboard PCB  
M10

TC Electronic A/S		Designer
Title	MANHATTAN	MAR
Module title	BLOCK LEVEL SCHEMATIC	
Number	P16001-4	Previous page
Date	5-22-2000 15:33	Page / of
Revision	4.04	XX
Filename	MAINBOARD	1 / 13

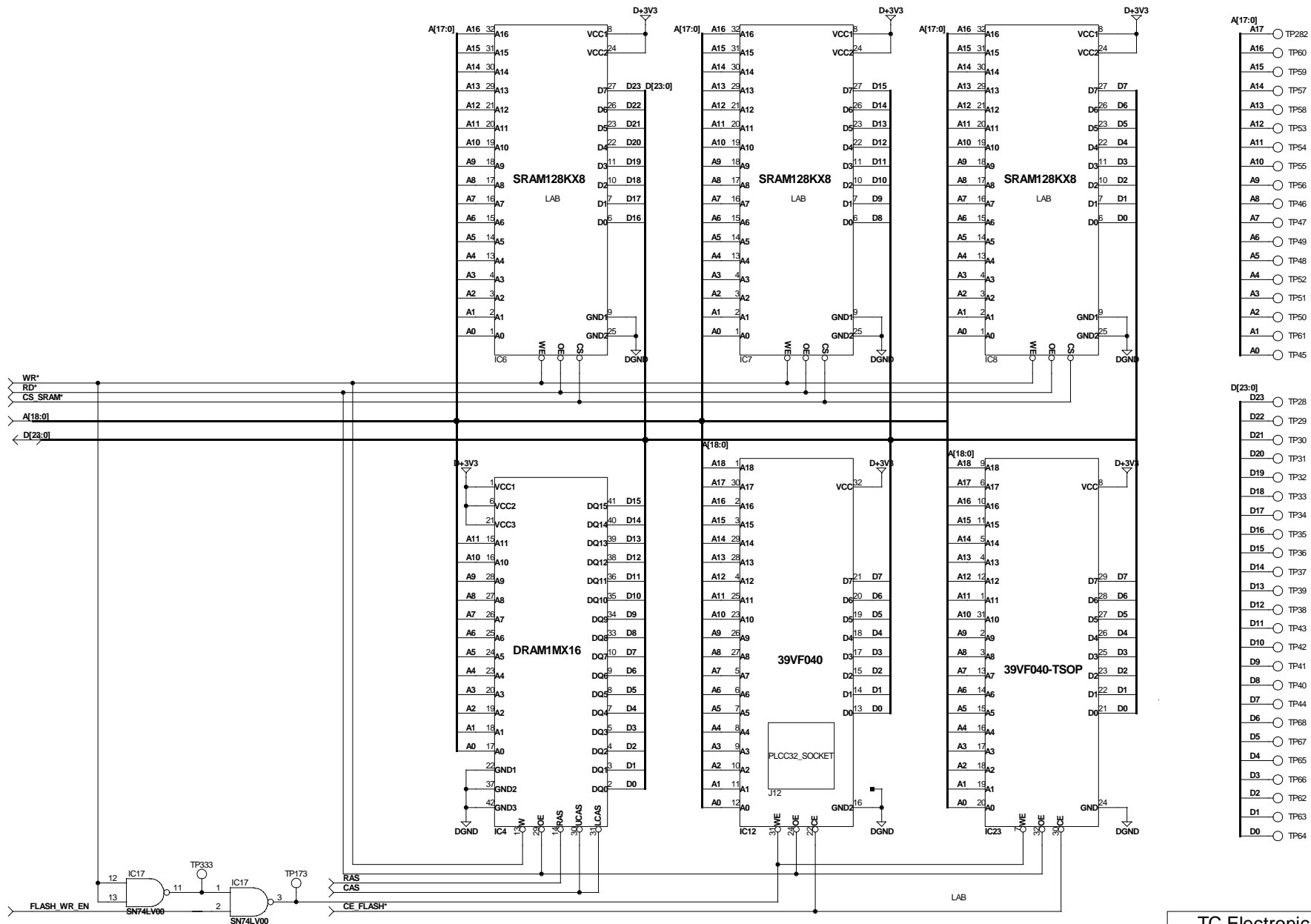
Connect to Front



<b>TC Electronic A/S</b>		Designer MAR
Title MANHATTAN		Module title INTERFACE TO FRONT AND POWER
Number P16001-4	Revision 4.04	Previous page 1
Date 5-22-2000 15:19	Filename INTERFACE	Page / of 2 / 13

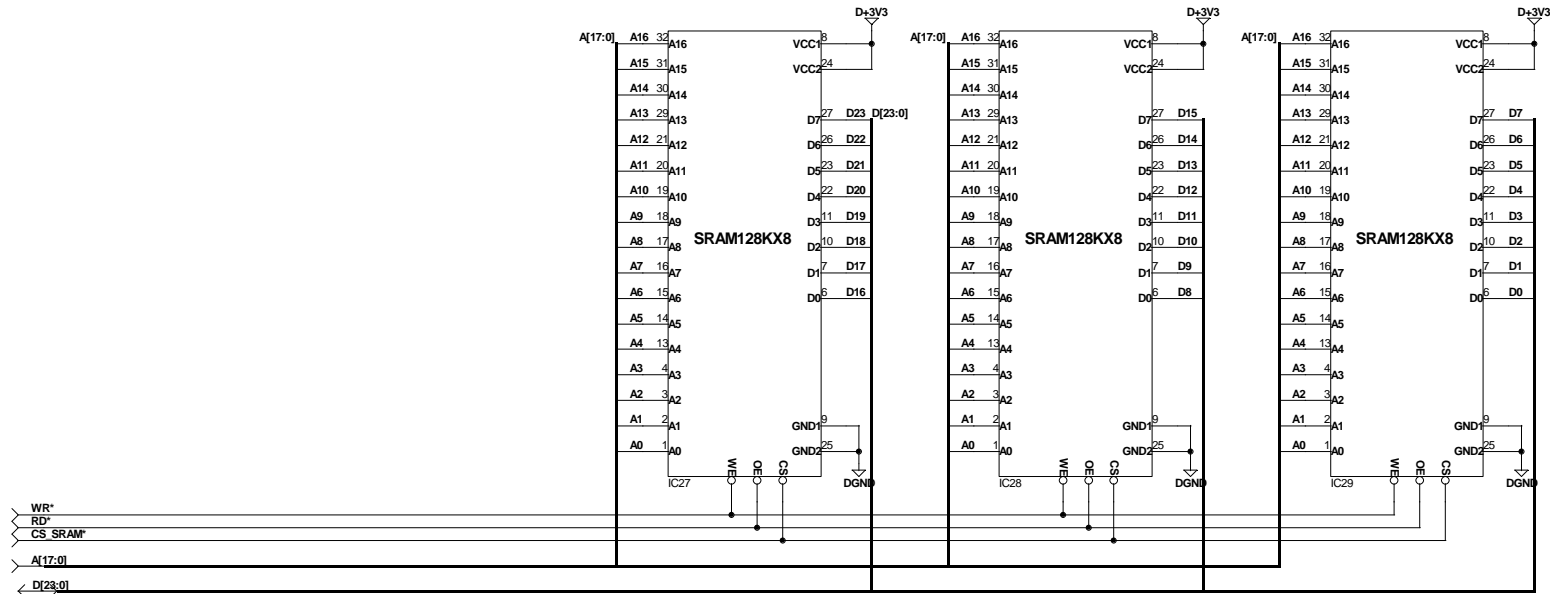


TC Electronic A/S		Designer
Title	MANHATTAN	MAR
Number	P16001-4	Previous page
Date	5-5-2000, 11:07	3 / 13
Revision	4.04	1
Filename	DSP	



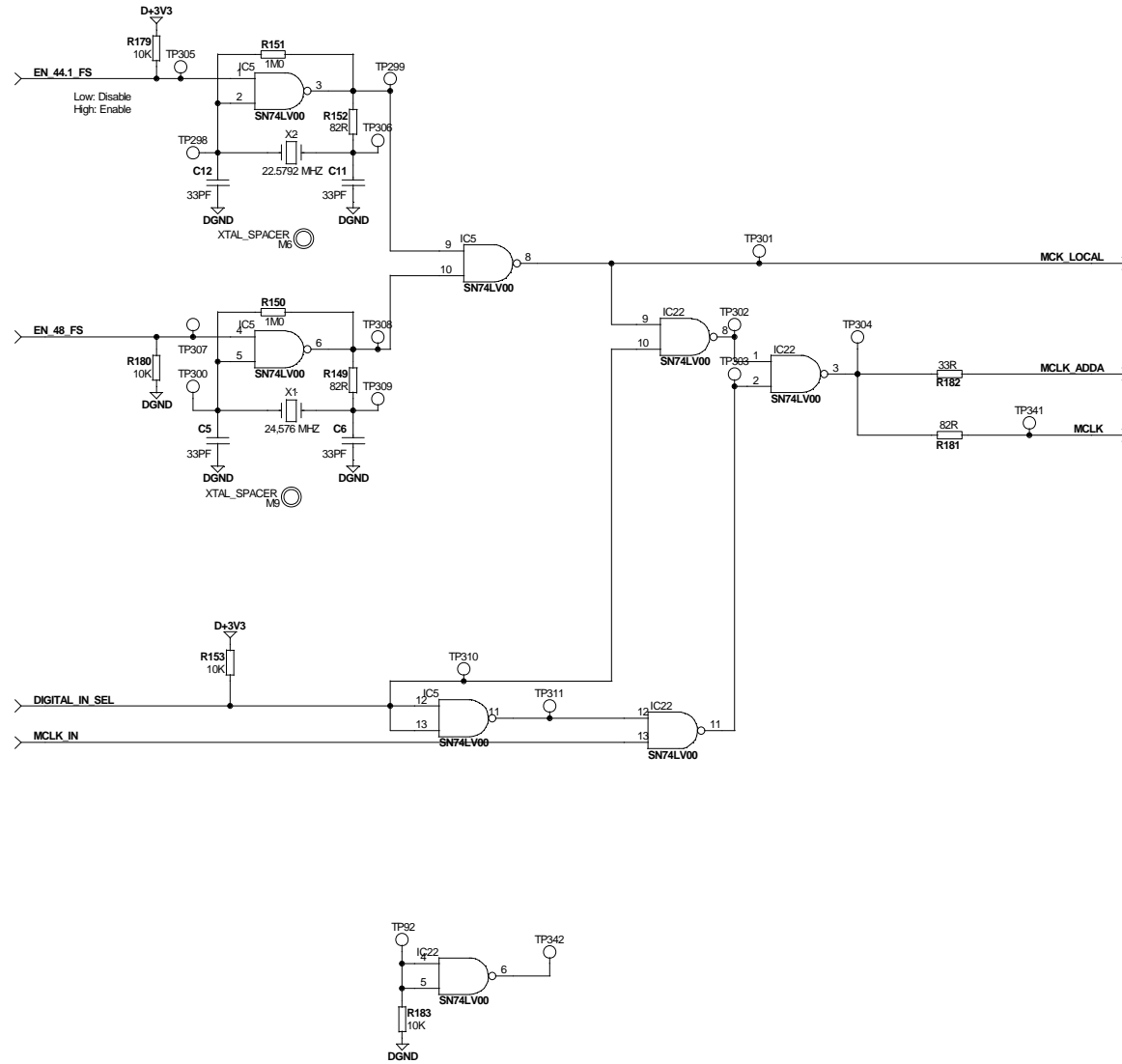
Note: Only one of the Flash types are mounted

TC Electronic A/S		Designer
Title	MANHATTAN	MAR
Number	P16001-4	Module title
Date	6-23-2000 10:04	MEMORY
Revision	4.04	Previous page
Filename	MEM	1
		Page / of
		4 / 13

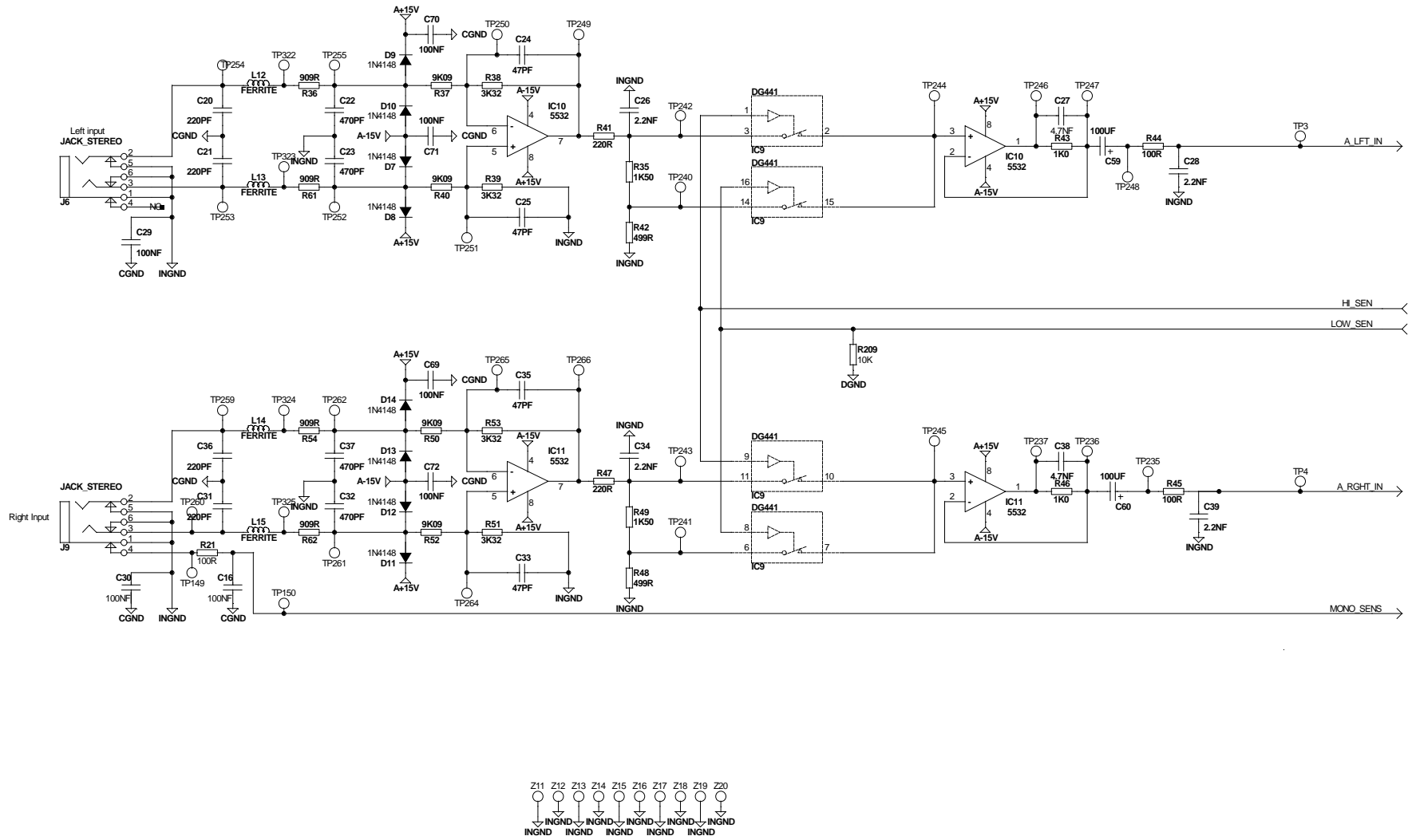


<b>TC Electronic A/S</b>		Designer MAR
Title MANHATTAN		Module title MEMORY - ALT PACKAGE
Number P16001-4	Revision 4.04	Previous page 1
Date 7-25-2000 8:32	Filename MEM	Page / of 5 / 13

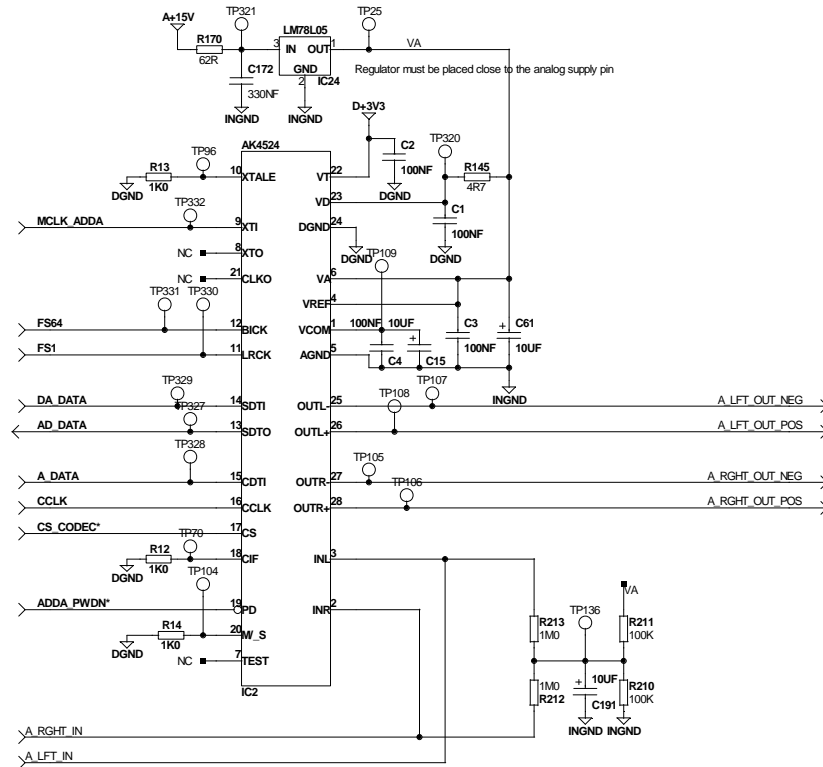




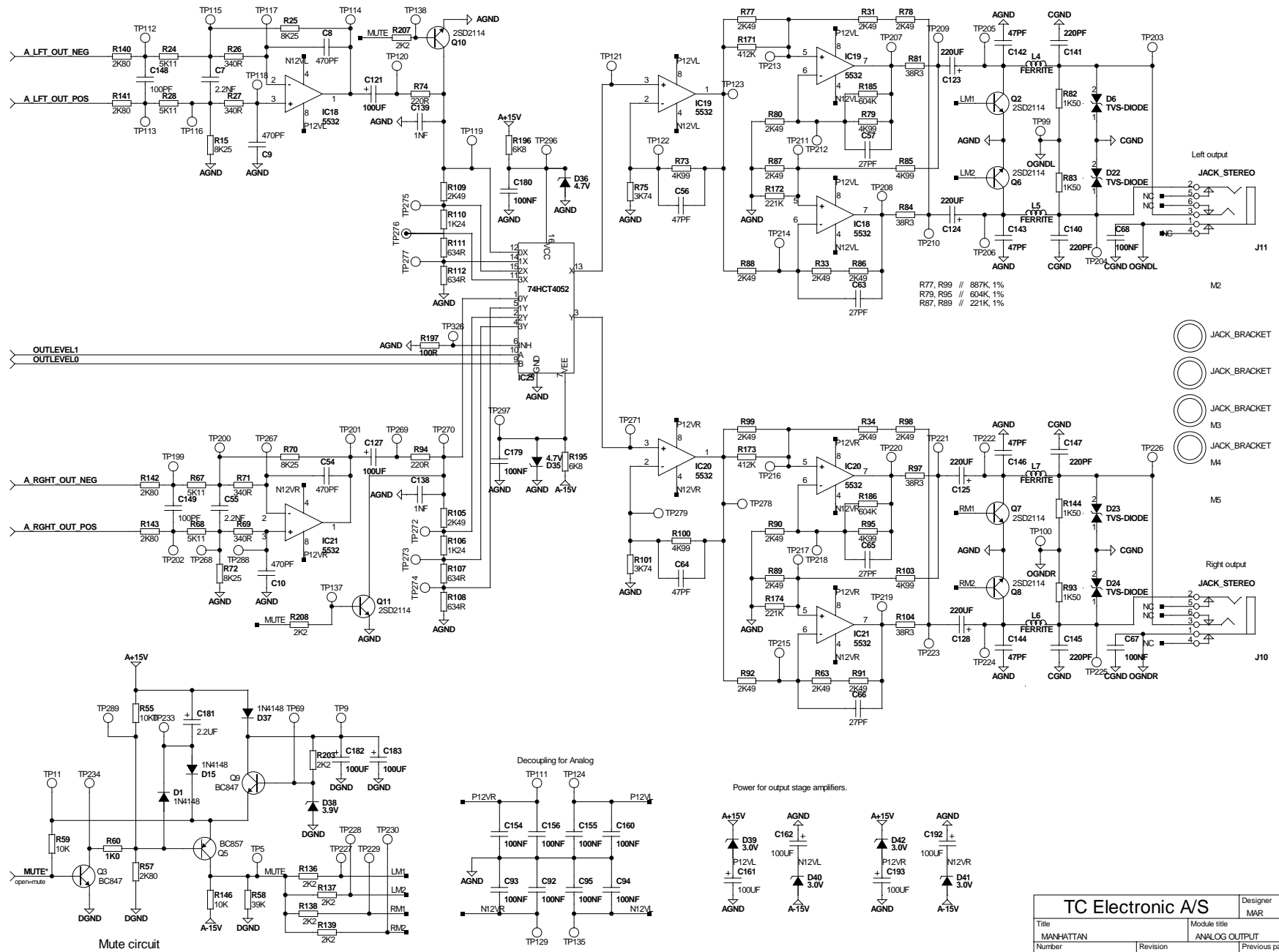
TC Electronic A/S		Designer
Title	MANHATTAN	MAR
Number	P16001-4	Module title
Date	5-5-2000, 11:35	CLOCK
Revision	4.04	Previous page
Filename	CLOCK	1
		Page / of
		6 / 13



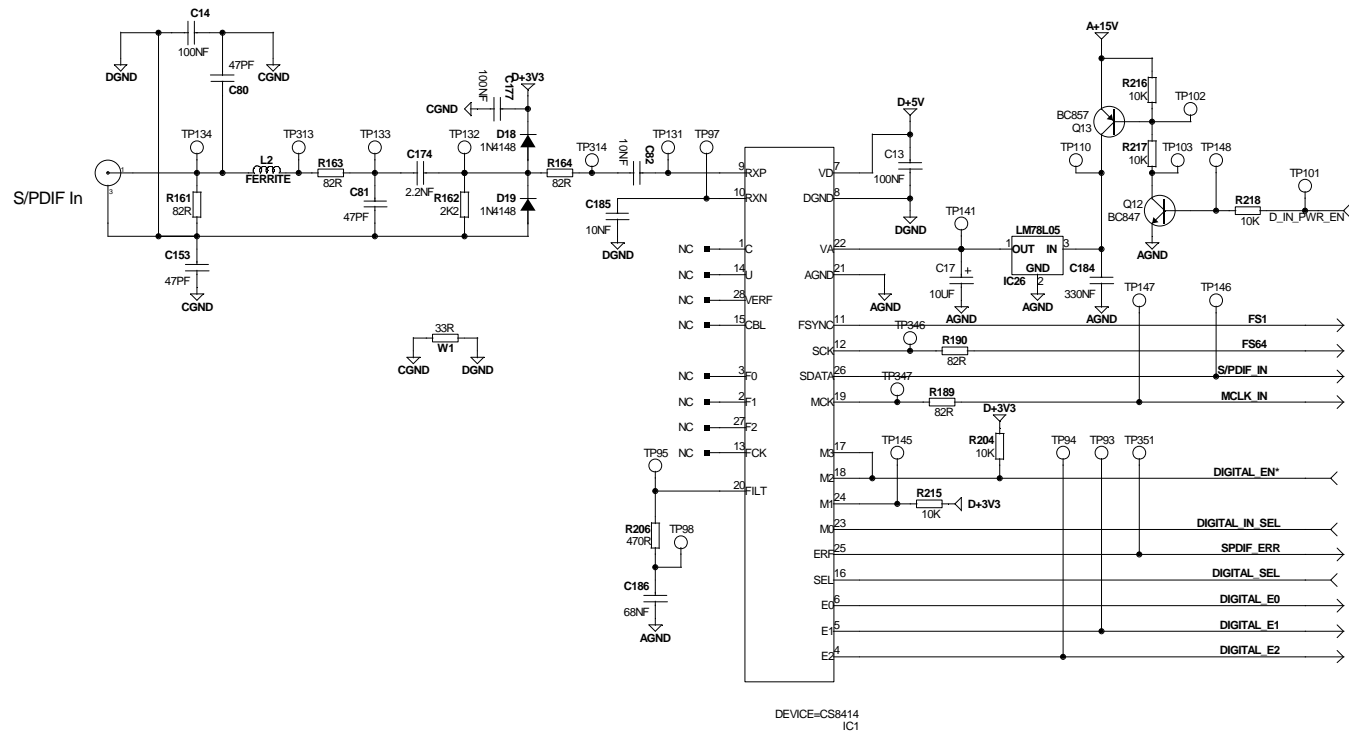
<b>TC Electronic A/S</b>		Designer MAR
Title MANHATTAN		Module title ANALOG INPUT
Number P16001-4	Revision 4.04	Previous page 1
Date 7-25-2000 8:33	Filename ANALOG_IN	Page / of 7 / 13



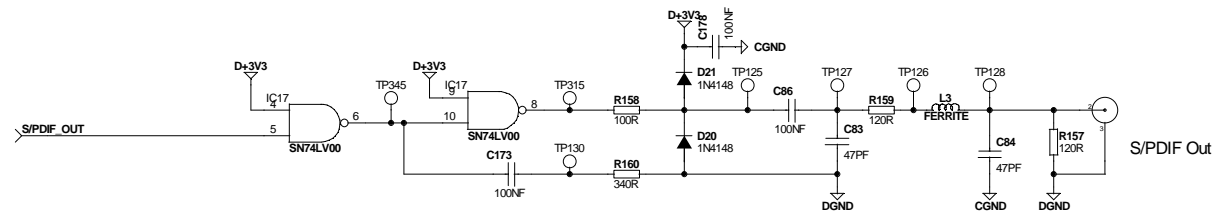
TC Electronic A/S		Designer
Title	MANHATTAN	MAR
Number	P16001-4	CODEC
Date	9-15-1999 15:57	8 / 13
Revision	4.04	Previous page
Filename	CODEC	1



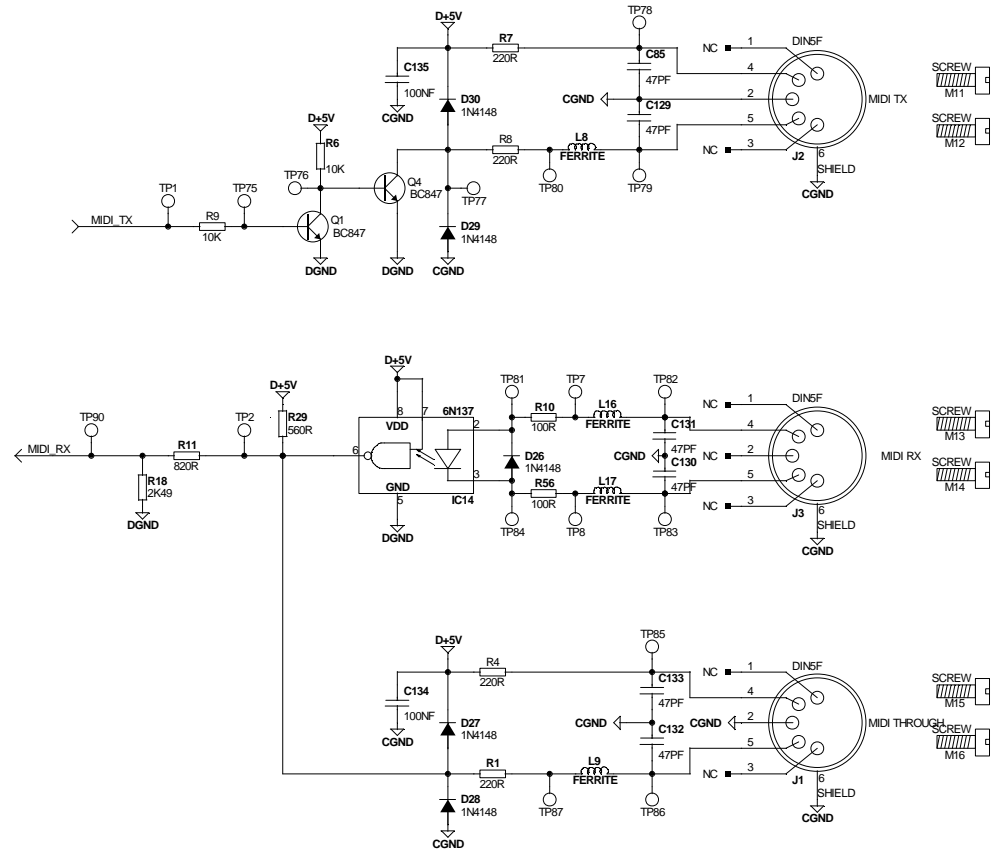
<b>TC Electronic A/S</b>		Designer MAR
Title MANHATTAN	Module title ANALOG OUTPUT	
Number P16001-4	Revision 4.04	Previous page 1
Date 5-5-2000, 11:34	Filename ANALOG_OUT	Page / of 9 / 13



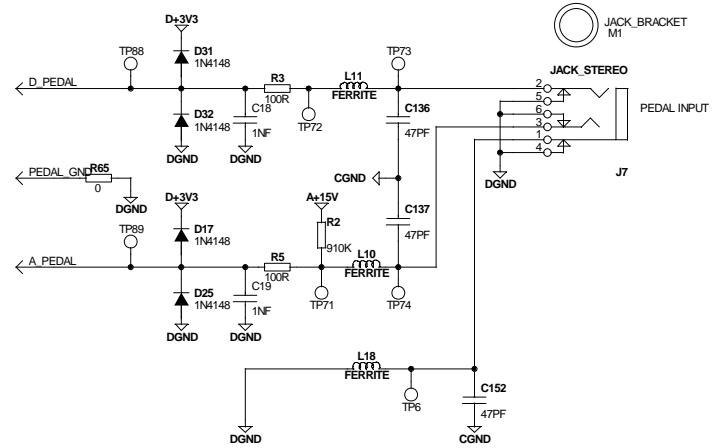
TC Electronic A/S		Designer
Title	MANHATTAN	MAR
Module title	DIGITAL INPUT	
Number	Revision	Previous page
P16001-4	4.04	1
Date	Filename	Page / of
12-8-2000 9:22	DIGITAL_IN	10 / 13



<b>TC Electronic A/S</b>		Designer MAR
Title MANHATTAN		Module title DIGITAL_OUTPUT
Number P16001-4	Revision 4.04	Previous page 1
Date 9-16-1999 10:15	Filename DIGITAL_OUT	Page / of 11 / 13



<b>TC Electronic A/S</b>		Designer MAR
Title MANHATTAN		Module title MIDI INTERFACE
Number P16001-4	Revision 4.04	Previous page 1
Date 5-5-2000, 11:26	Filename MIDI	Page / of 12 / 13



<b>TC Electronic A/S</b>		Designer MAR
Title MANHATTAN		Module title PEDAL INTERFACE
Number P16001-4	Revision 4.04	Previous page 1
Date 8-17-2000 15:32	Filename PEDAL	Page / of 13 / 13