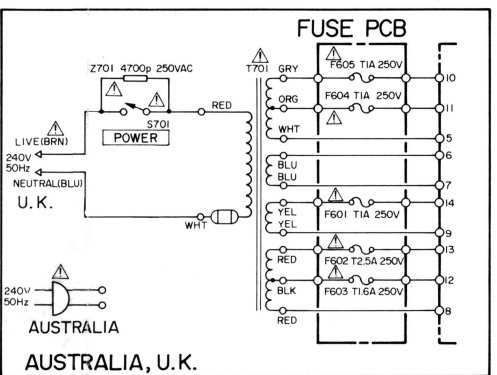
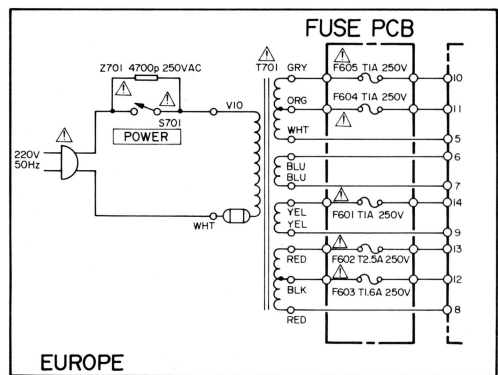
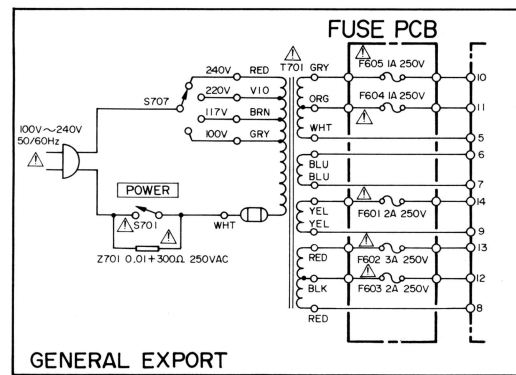
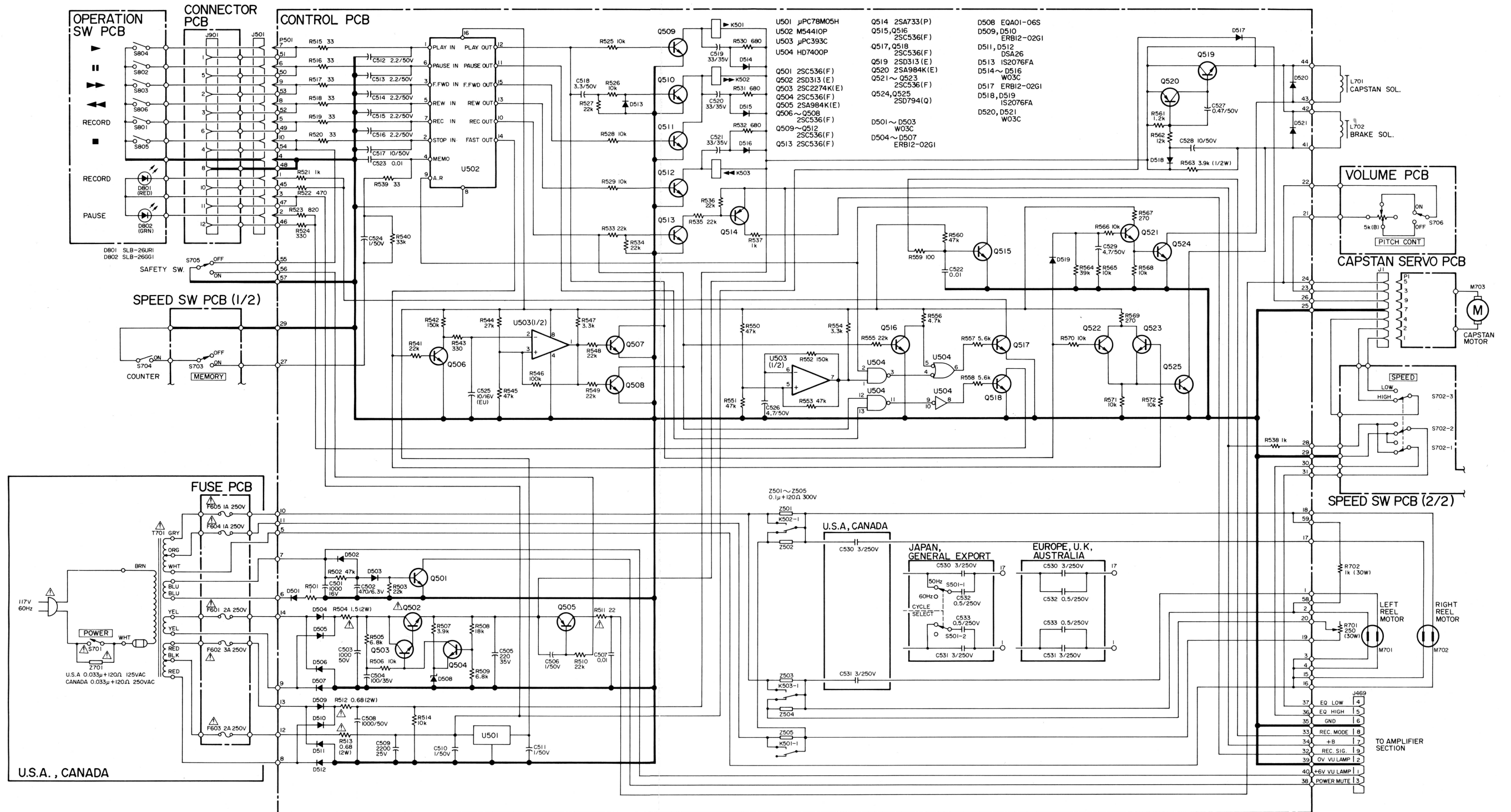


Schematic Diagrams

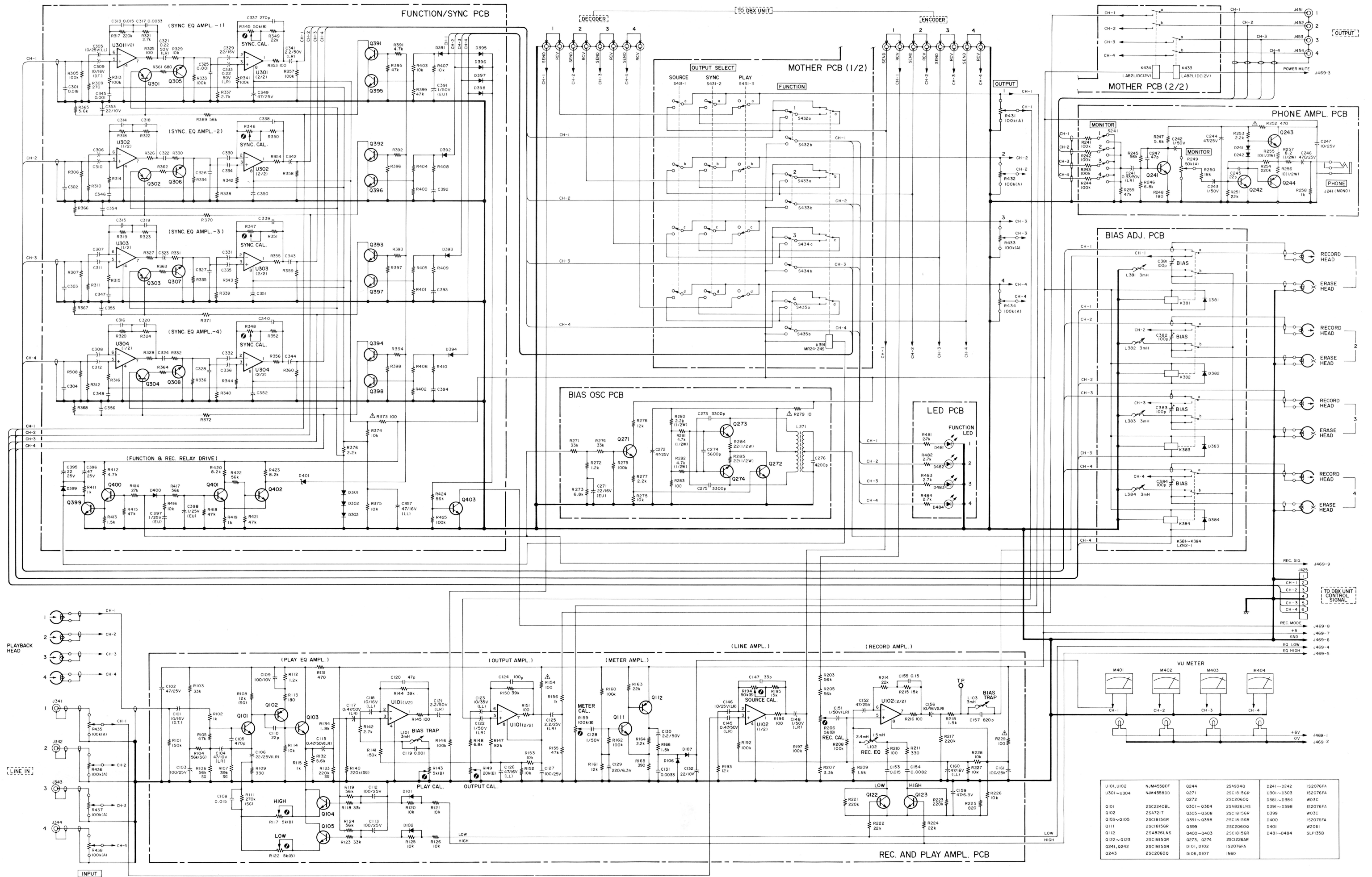
Diagrammes schématiques

Schematische Diagramme

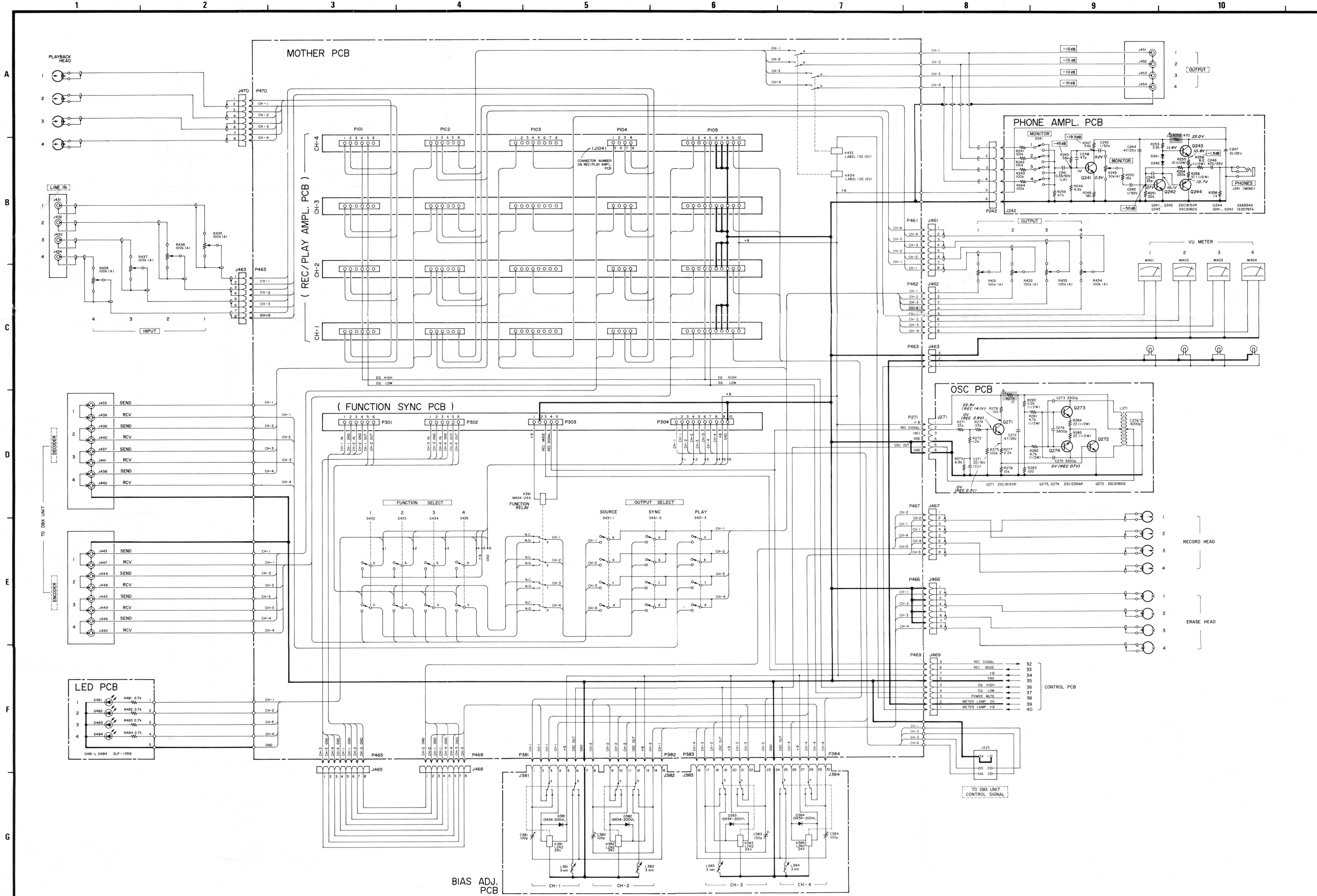


Tape Transport
TEAC
 TASCAM SERIES
22-4

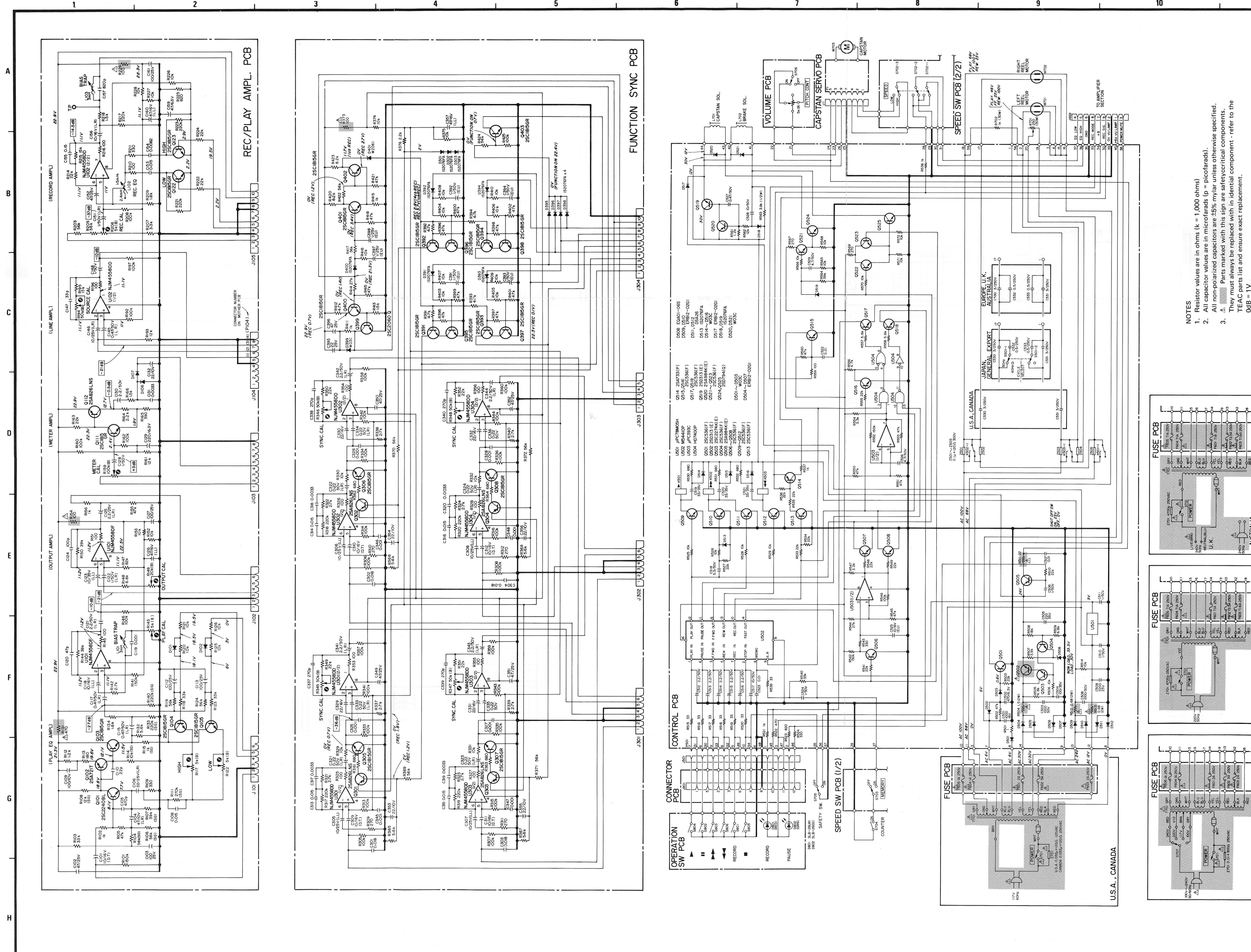
4-Channel Multitrack Recorder/Reproducer



U101, U102	NJM4558DF	Q244	25A9340	Q241 ~ Q242	IS2076FA
U301 ~ U304	NJM4558DD	Q271	25C1815GR	Q301 ~ Q303	IS2076FA
		Q272	25C20600	D381 ~ D384	W03C
Q101	25C2240BL	Q301 ~ Q304	25A826LNS	D391 ~ D398	IS2076FA
Q102	25A721T	Q305 ~ Q308	25C1815GR	Q399	W03C
Q103 ~ Q105	25C1815GR	Q391 ~ Q398	25C1815GR	D400	IS2076FA
Q111	25C1815GR	Q399	25C20600	D401	W2061
Q112	25A826LNS	Q400 ~ Q403	25C1815GR	D481 ~ D484	SLP135B
Q122 ~ Q123	25C1815GR	Q273, Q274	25C1226AR		
Q241, Q242	25C1815GR	D101, D102	IS2076FA		
Q243	25C20600	D106, D107	IN60		



- NOTES
1. Resistor values are in ohms (k = 1,000 ohms)
 2. All capacitor values are in microfarads (p = picofarads). All non-polarized capacitors are ±5% mylar unless otherwise specified.
 3. Δ Parts marked with this sign are safetycritical components. They must always be replaced with an identical component - refer to the TEAC parts list and ensure exact replacement. OdB = 1V Indicated values are those existing when the VU level meter indicates 0VU.
 4. \square : front panel indication.
 5. \dashv : rear panel indication.



- NOTES**
1. Resistor values are in ohms ($k = 1,000$ ohms).
 2. All capacitor values are in microfarads ($\mu = \text{picofarads}$).
 3. All non-polarized capacitors are $\pm 5\%$ mylar unless otherwise specified.
 4. Parts marked with this sign are safety-critical components. They must always be replaced with an identical component - refer to the TEAC parts list and ensure exact replacement.
 5. 04B = 1V
04U = 1V
Indicated value are those existing when the VU level meter indicates 0VU.

