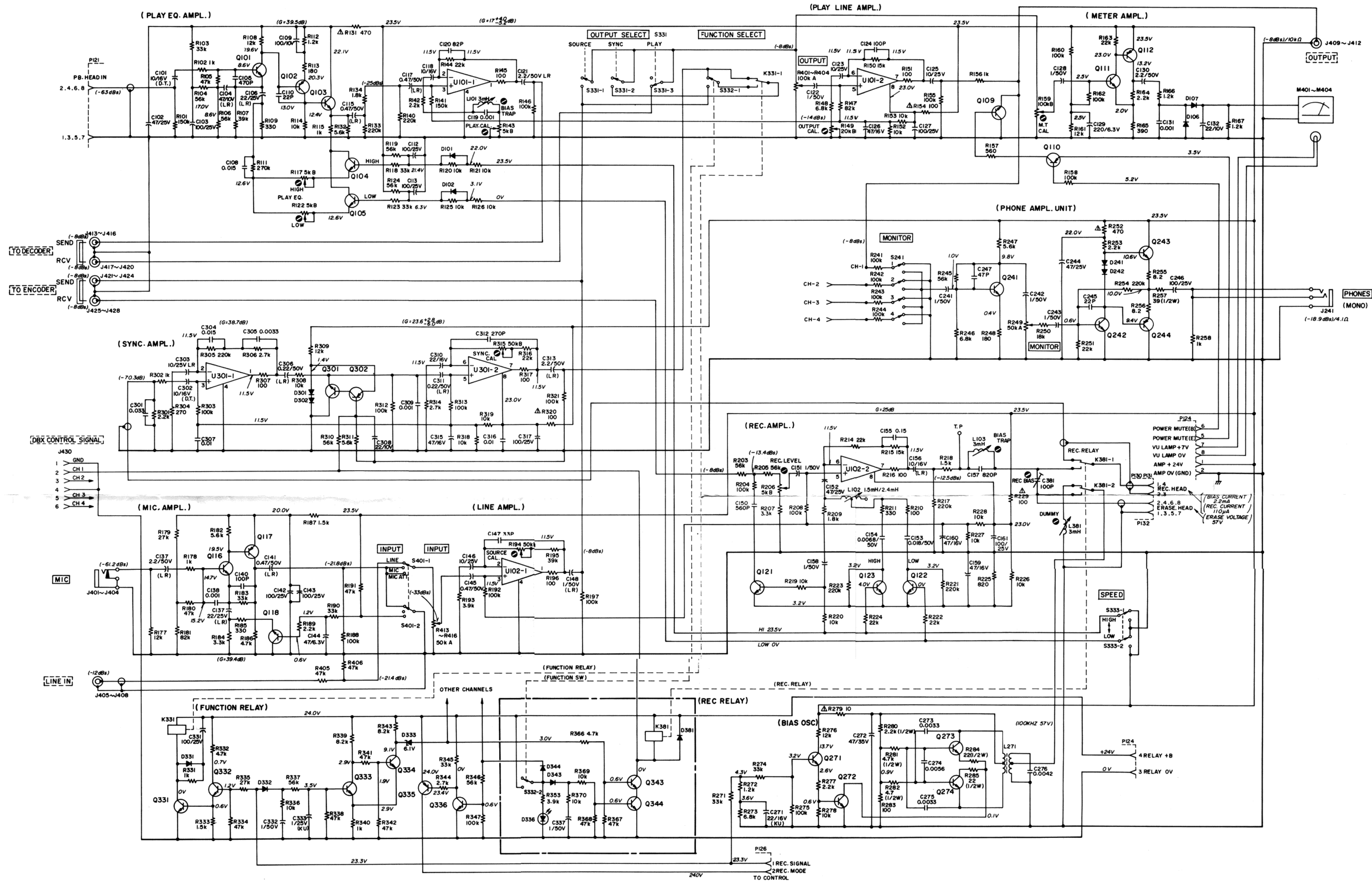


HiFi ENGINE®

For more Hi-Fi manuals and set-up information
please visit www.hifiengine.com



NOTES
 SCHEMATIC DIAGRAM SHOWN IN THE STOP MODE.
 OUTPUT SELECT SWITCH SHOWN IN THE PLAY POSITION.
 TAPE SPEED SWITCH SHOWN IN THE HIGH POSITION.
 ALL RESISTORS ARE RATED 5% TOLERANCE AND 1/4 WATT AND OF CARBON TYPE UNLESS OTHERWISE NOTED.
 ALL CAPACITORS VALUES IN MICROFARADS. P= PICO FARADS.
 Δ NON FLAMMABLE RESISTOR

REF. NO	DESCRIPTION	REF. NO	DESCRIPTION	REF. NO	DESCRIPTION	REF. NO	DESCRIPTION
Q101	2SC1327T	Q117	2SA661S	Q272	2SC2060Q	Q336	2SC536F
Q102	2SA6661S	Q118	2SC170LS	Q273	2SC1226AR	Q343	2SC536F
Q103	2SC536F	Q121	2SC170LS	Q274	2SC1226AR	Q344	2SC536F
Q104	2SC1740LS	Q122	2SC170LS	Q301	2SC1740LS	U101, U102	NJM45580F
Q105	2SC1740LS	Q123	2SC170LS	Q302	2SA826LNS	U301	NJM45580D
Q109	2SC1636-2	Q241	2SC170LS	Q331	2SC2060Q	D101, D102	1S2473HJ
Q110	2SA826LNS	Q242	2SC170LS	Q332	2SC536F	D106, D107	1N60
Q111	2SC1740LS	Q243	2SC200Q	Q333	2SC536F	D241, D242	1S2473HJ
Q112	2SA826LNS	Q244	2SA91Q	Q334	2SC536F	D301, D302	1S2473VE
Q116	2SC1222E	Q271	2SC170LS	Q335	2SA733P		

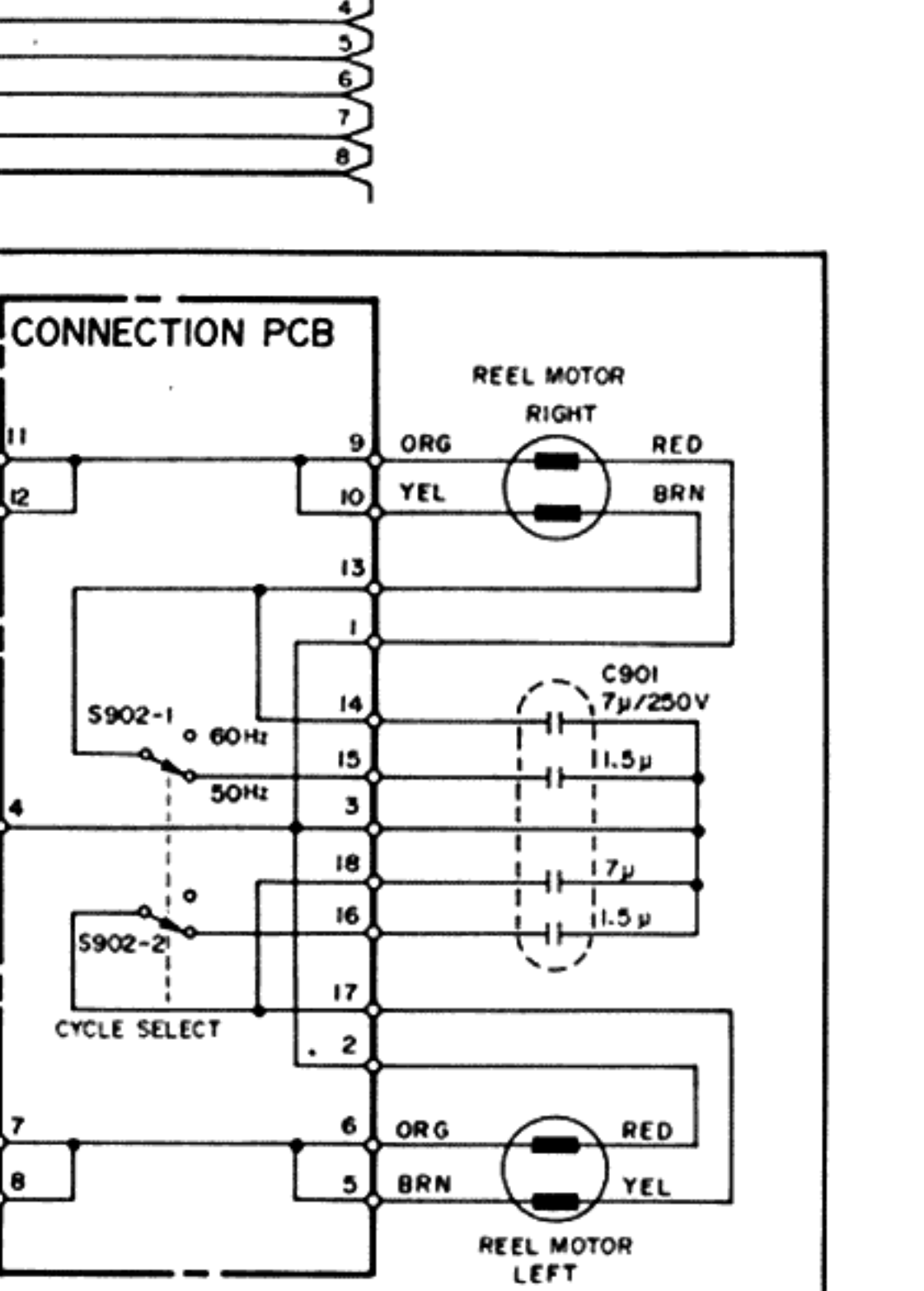
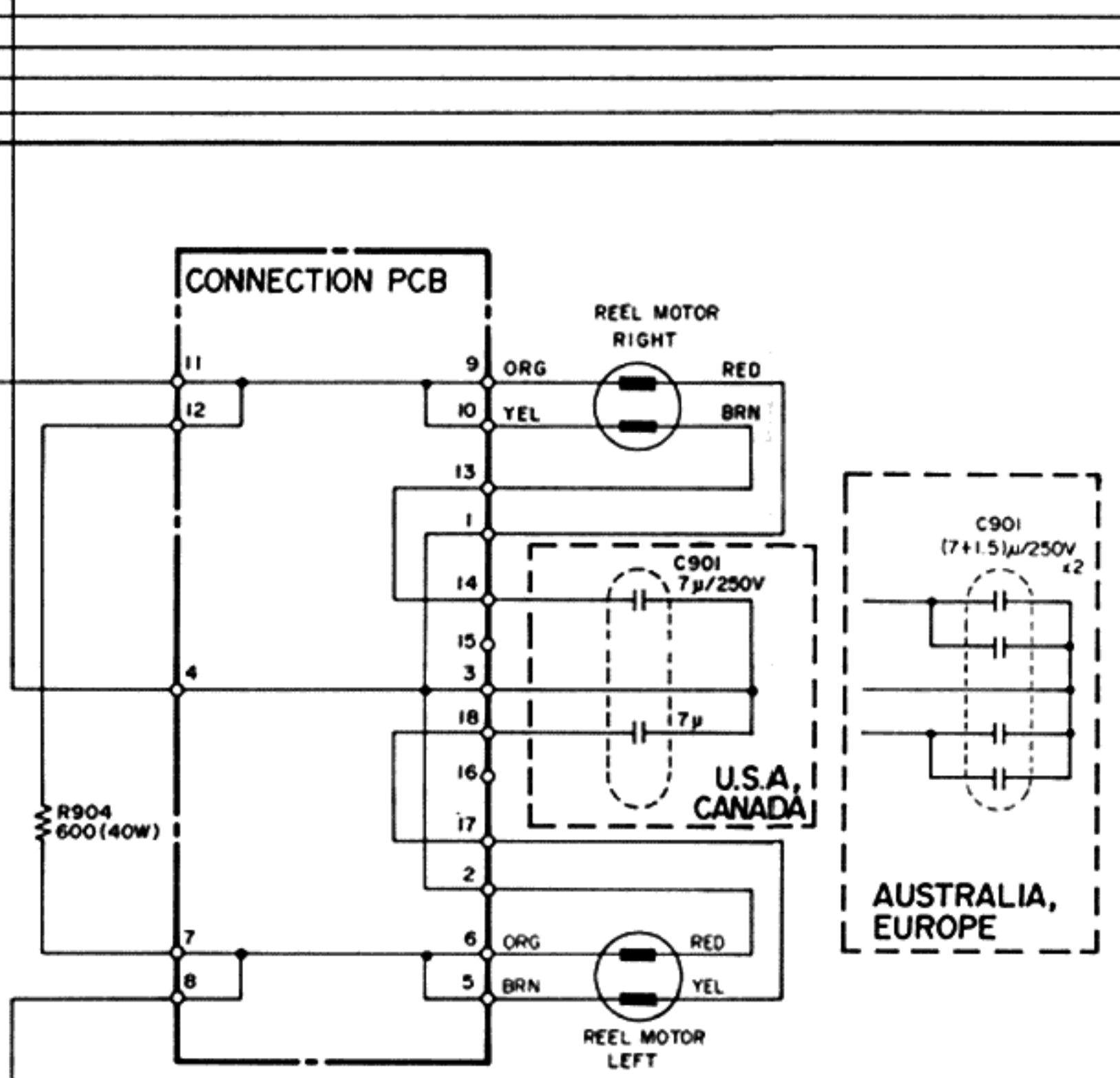
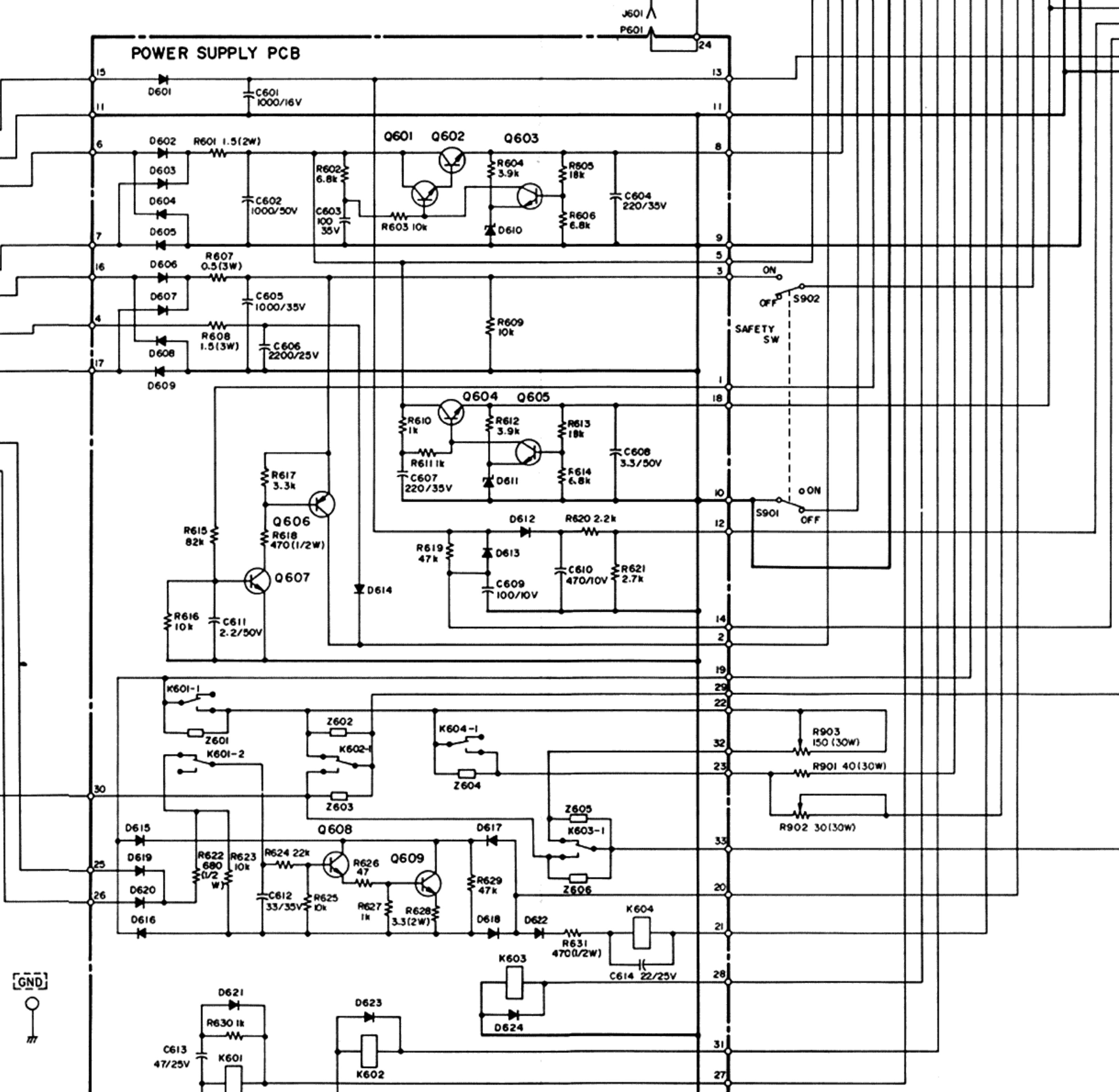
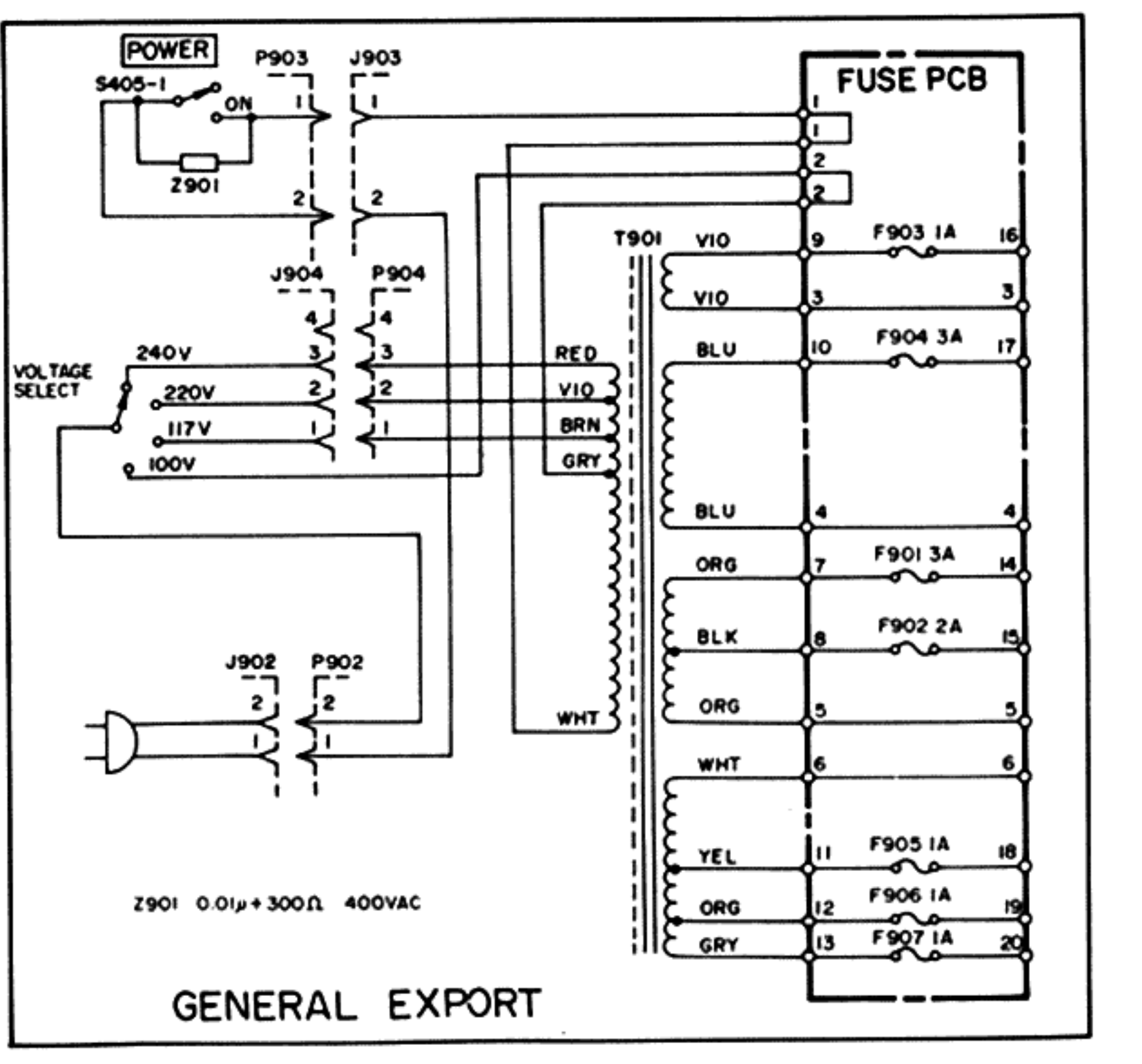
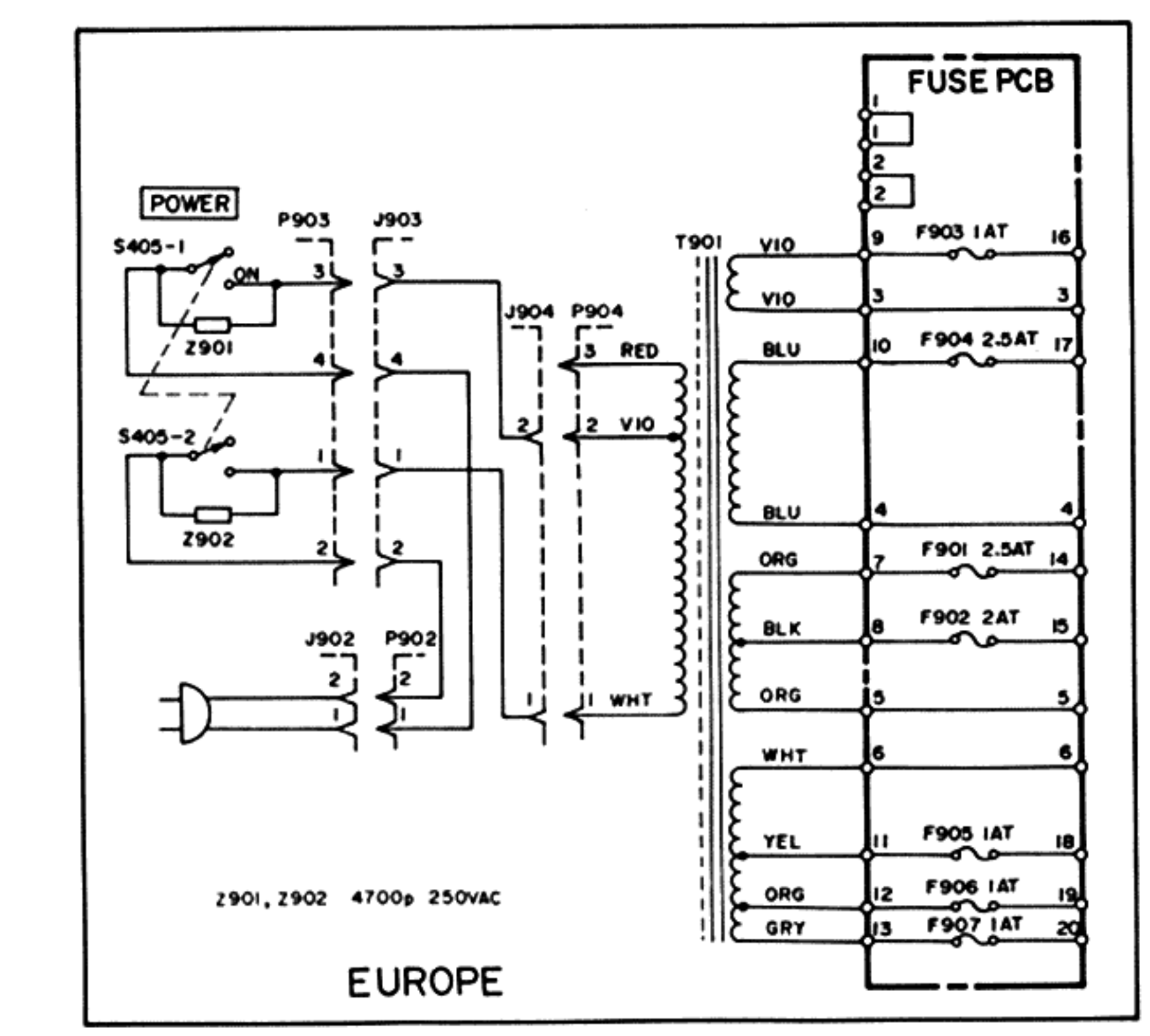
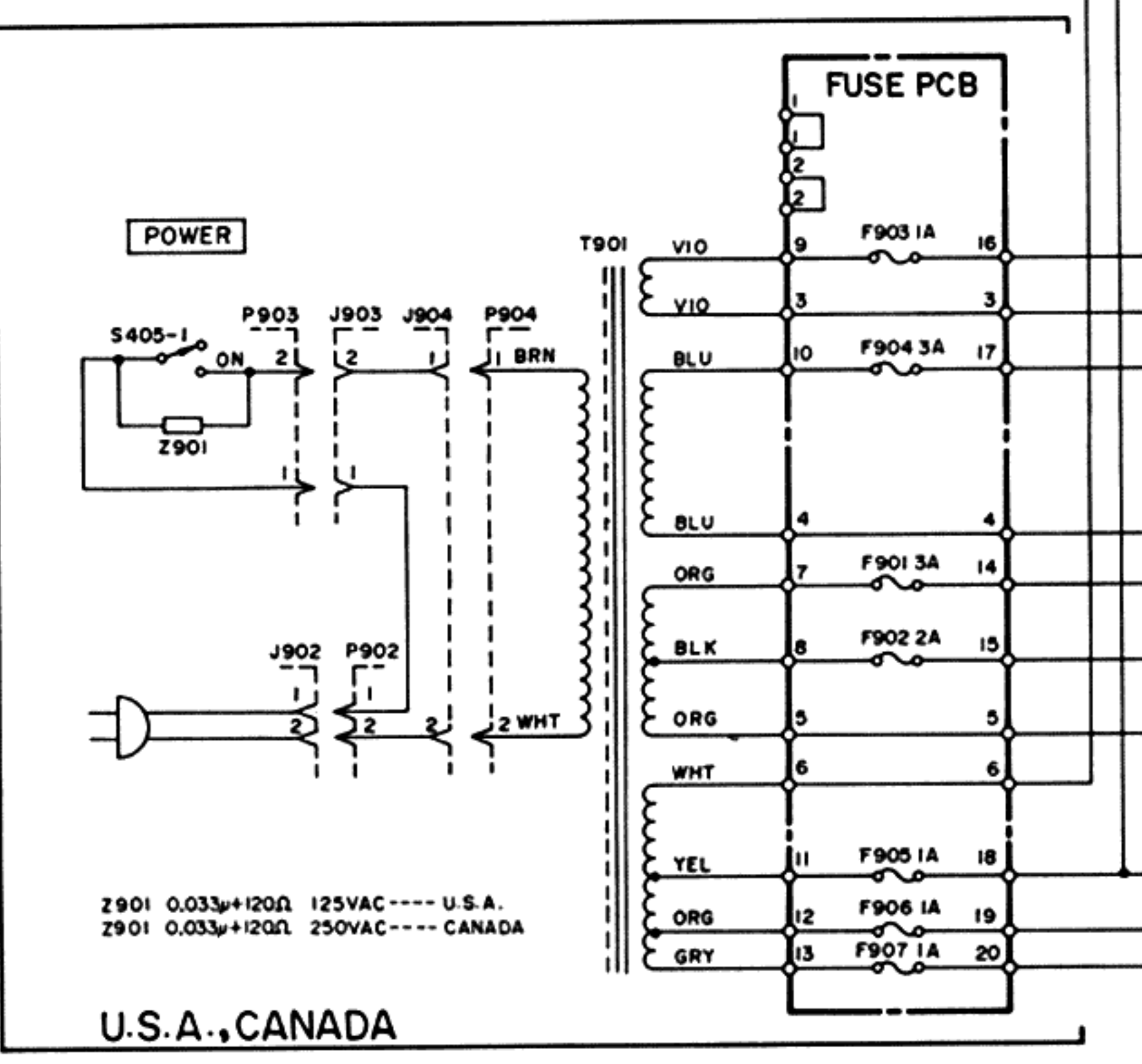
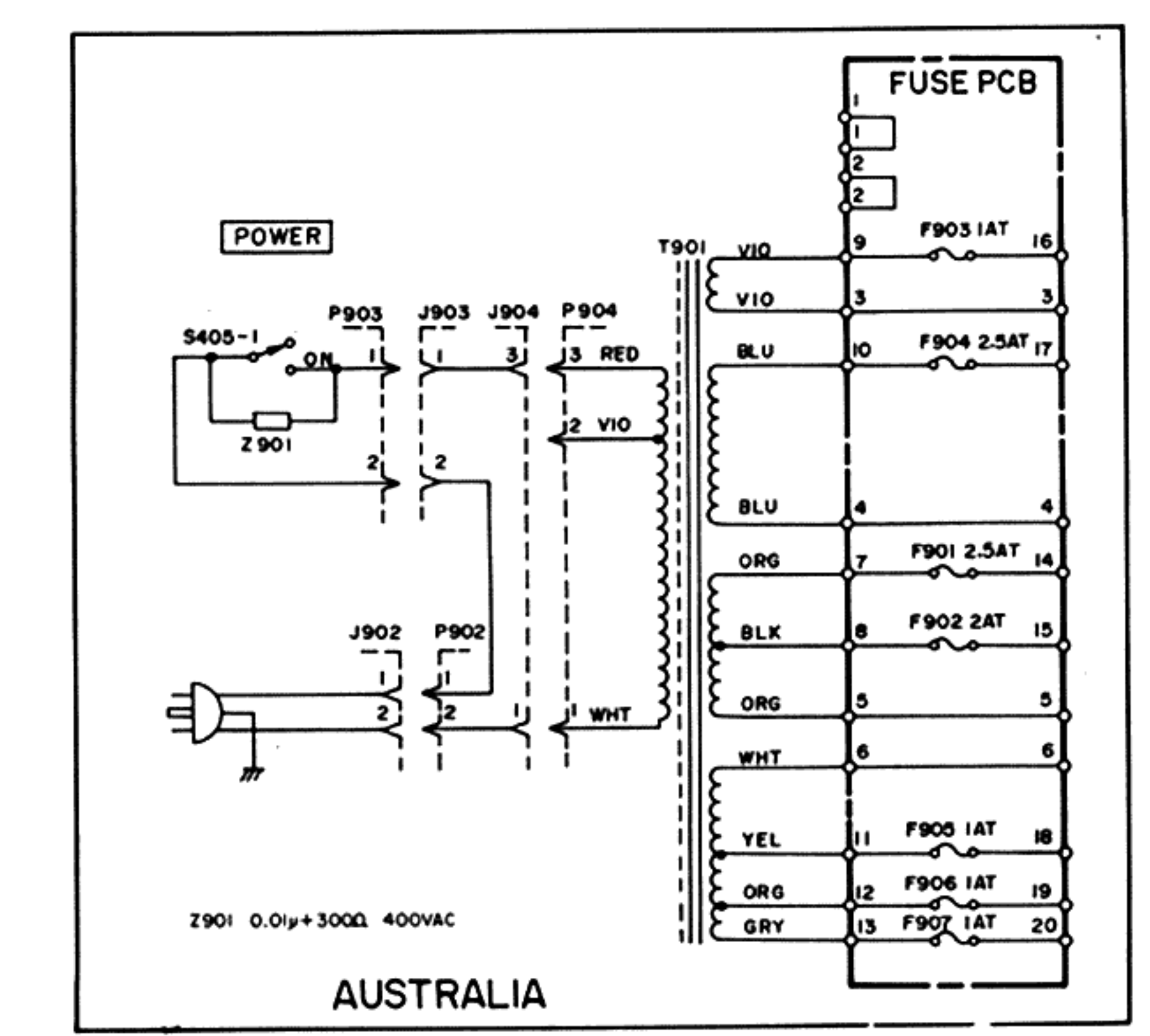
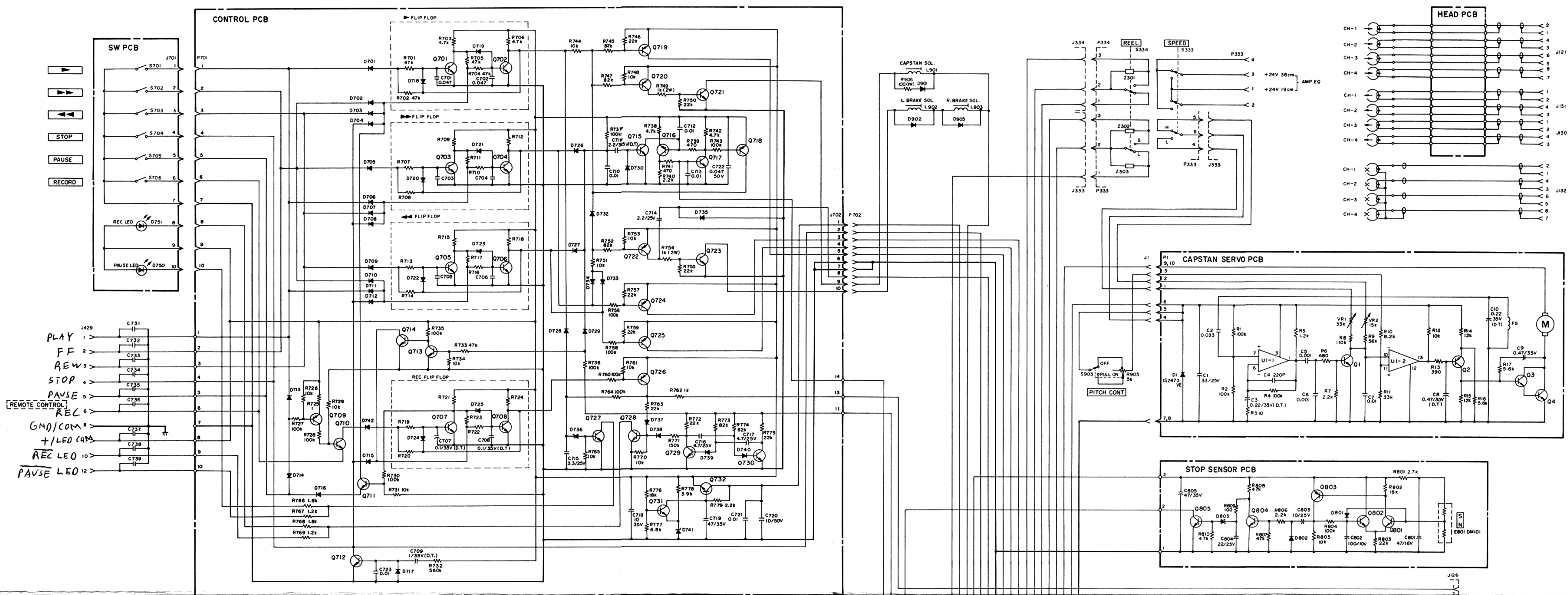
9-226

4-Channel Multitrack Tape Deck
 with SIMUL-SYNC

MODEL NO. **A3440** SHEET NO. _____

REVISION DATE CHANGE NO.

TEAC CORPORATION



REF. NO.	DESCRIPTION	REF. NO.	DESCRIPTION	REF. NO.	DESCRIPTION	REF. NO.	DESCRIPTION
Q701-Q708	2SC945 (LKI)	G601	25C1318(S)	G1, G3	25C828A-R or 25C945-P	G801, G802	25C202(LNFR)
Q709	25A733(P)	G602	25D313(E)	Q2	25A564A-R or 25A733-P	G803	25A786(LNFR)
Q710-Q714	25C945(LKI)	G603	25C5316(F)	Q4	25D335-D	G804, G805	25C202(LNFR)
Q715	25C1318(S)	G604	25D313(E)	IC1	NJM2901N	D801, D802	152473(J)
Q716	25A733(P)	G605	25C5316(F)	D803	WZ-090		
Q717	25C945(LKI)	G606	25B507(E)				
Q718, Q719	25A733(P)	G607	25C1318(S)				
Q720, Q722	25A733(P)	G608	25D600K(E)				
Q721	25D600K(E)	G609	25D613(E)				
Q724-Q726	25A733(P)	D601-D607	15R34-200V				
Q727-Q731	25C945(LKI)	D608, D609	15R34-200V				
Q732, Q733	25D313(E)	D610, D611	WZ-061				
Q701-Q730	152473(V)	D612, D613	15R34-200V				
Q732-Q735	152473(V)	D614-D618	15R34-200V				
Q736	0228-2A	D619, D620	15R34-200V				
Q737-Q740	152473(V)	D621, D622	15R34-200V				
Q741	0226-2A	D623, D624	15R34-200V				
C712, C713	0.01/50V						
C714-C716	Ca-MMC						
C717, C723							
C724-C726							

NOTES

- ALL RESISTORS ARE 1/4 WATT, 5%, UNLESS MARKED OTHERWISE. RESISTOR VALUES ARE IN OHMS (k=1,000 OHMS, M=1,000,000 OHMS).
- ALL CAPACITOR VALUES ARE IN MICROFARADS (µ=PICOFARADS).

4-Channel Multitrack Tape Deck with SIMUL-SYNC

A3440

TEAC CORPORATION